

How to read this Parts Catalog.

1. Parts mentioned in Parts Catalog may not necessarily be standard equipping parts
2. Parts change may be made without prior notice.
3. Form of this Parts Catalog.

Y00F2161 29. FUEL INJECTION PUMP(W/BOOST)						(A)=4JH-DT (D)=4JH-DTZA (B)=4JH-DTZ (E)=4JH-DTZ (C)=4JH-DTZP (F)=
REF.	LEV.	PARTS NO.	DESCRIPTION	(A) (B) (C) (D) (E) (F)	I R	
1	1	729595-51390	FUEL INJECTION PUMP	1 1 1 1 1	1	
1-1	1	729595-51391	FUEL INJECTION PUMP	1 1 1 1 1	1	
		(A=E00185) (B=E00200)				
3	2	26022-060162	SCREW M 6X 16	9 9 9 9 9		
3-1	2	26022-060162	SCREW M 6X 16	4 4 4 4 4	K	
		(A=E00156) (B=E00156) (C=E00156) (D=E00156) (E=E00156)				
4	2	129470-51040	CAMSHFT	1 1 1 1 1		
5	2	122710-51050	BEARING,ROLLER	2 2 2 2 2		
6	2	129470-50160	RETAINER	1 1 1 1 1		

Remarks	
(1)	BOOST COMPEMSATOR TYPE. OPTIONAL PART. TO E/#00155 (4JH-DT,4JH-DTZ)

① Ref. No.

The Ref. No. in the list may not be accord with the Ref. No. on illustration.

(Ex.) Illustration No.

List head No.

1

1

(Befor change)



1

-1

(After change)

When interchangeable symbol N, R, and K, illustrations for new parts are sometimes omitted.

② Lev.(Level)

Indication and Meaning of Level

Level Hereunder is given the relation among the number of number (1,2,3) the level and the nominal parent-child relationship.

1 ----- Parent parts (Assembly parts)

2 ----- Child parts included in " 1 " (Semi-Assembly parts, component parts of Assembly parts.)

3 ----- Child parts included in " 2 ", Grand-child parts in terms of " 1 ".

(Component parts of Semi- Assembly parts.)

Note) A parts of non- sale parts are illustrated but not listed.

③ Change Mark

Change Mark "I" is given to the part for which a design change was made at this time.

The design change was not shown in the last published Parts Catalog.

④ Interchangeability Mark

In the case where a part change took place, one of the following interchangeability marks is indicated for that part.

Symbol	Interchangeability	Contents note
N	Old New	New Part is interchangeable for Old Part but not interchangeable conversely.
Q	Old New	New Part is not interchangeable for Old Part but interchangeable conversely.
R	Old New	New Part is interchangeable for Old Part and vice versa.
S	Old New	New Part is not interchangeable for Old Part and vice versa.
W		Part newly added.
Z		Part discontinued.
F		Not interchangeable single part but interchangeable by set of the related parts.
K		Changed only in quantity used.

⑤ Effective Machine No.

When a part is changed, Effective Machine No. of a Model for which the part is applicable is indication in each column of (A)- (F).

Product Symbol	Product No.	Product Symbol	Product No.
C	Clutch No. Compressor No.	M	Machine No.
D	Drive No.	T	Tractor No.
E	Engine No.	Note1) ※	Date

Note1) Date may follow the symbol in some cases. (Ex.) ※ 1996.01

Note2) As far as engine models shown by "XXX" are concerned, the modification of the parts could not be predicted or the engine models themselves could not be identified.

Note3) (A=E/#00185) means that the design change on the part has been effective for the model at the column (A) (in this case, for 4JH- DT) on and from E/#(Engine Serial Number) 00185.

⑥ Remarks Mark

Figures or alphabets (Symbols) are entered in the remark column.

The comments(remarks)on the pertinent parts are indicated in the lower part of the list by the same symbols as those stated above.

Introduction

1. This parts catalog for carries Yanmar crawler back-hoe B4U-1.

2. Parts catalog history

	Parts catalog No.	Date of issue	Remarks
First edition	000Y00K3700	Sep., 1999	No need
1st revised edition	000Y00K3701	Dec., 2001	

2. Model name

	Fig. No.	Section	Model name	M/#
SECTION I	1~256	Vehicle	B4U-1	M/#10501~
SECTION II	1~17	Engine	3TNE84-3MY	E/#44748~
			3TNE84-E3MY	E/#29315~

4. Your understanding is asking that this parts catalog is not a technical data manual setting forth as servicing procedures, This parts catalog is using simplified illustration.

Be sure to use Yanmar Genuine Parts in your maintenance servicing of Yanmar products.

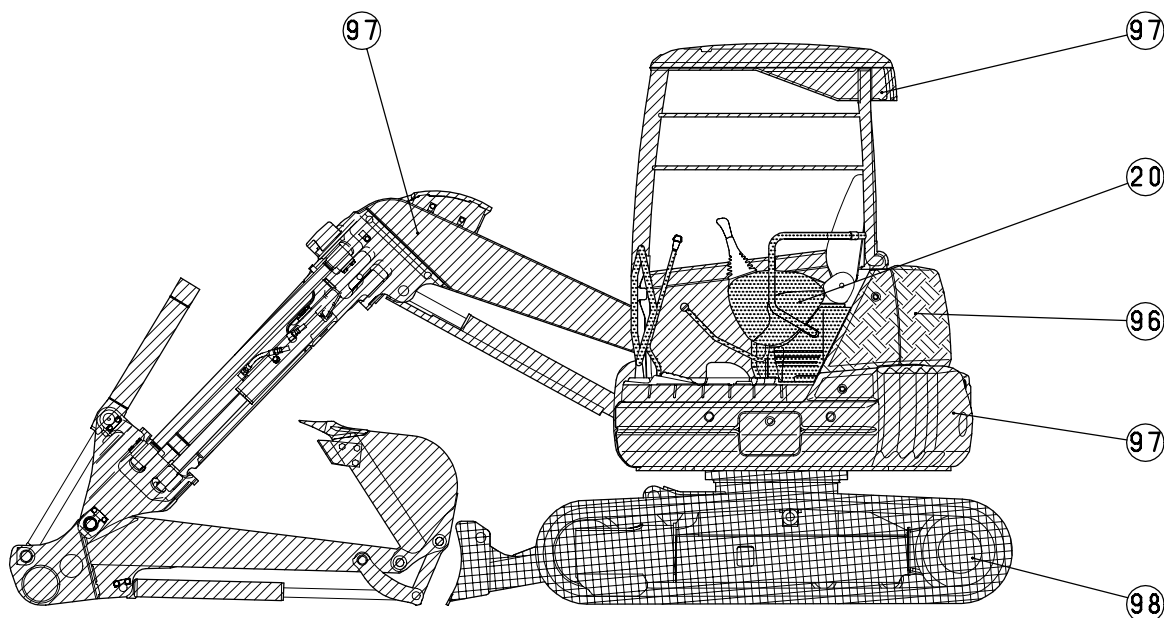
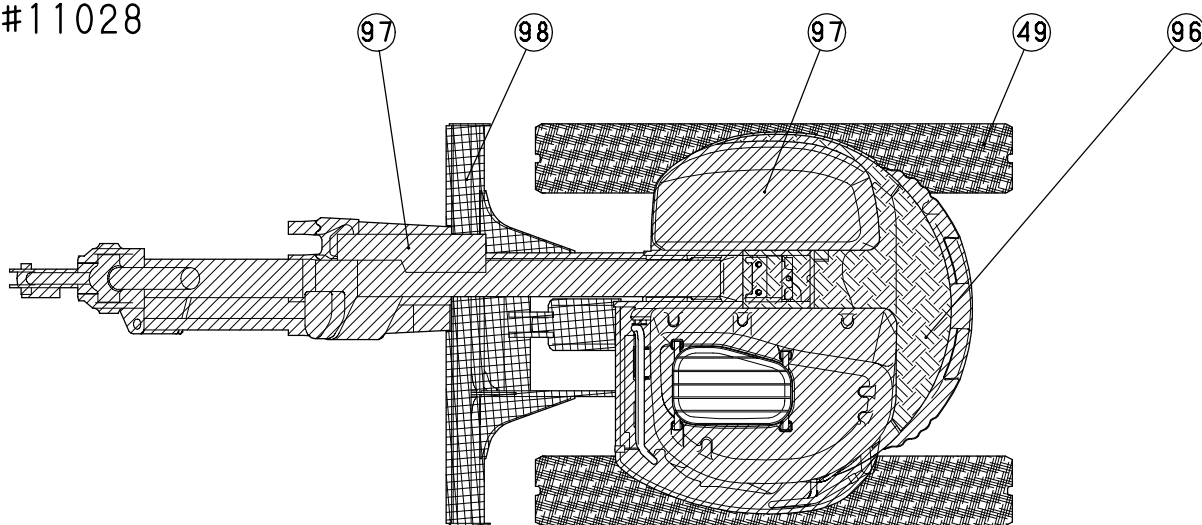
Be careful not to use the simple parts available in the market; otherwise their use in repairing causes such as an early breakage, for instance.

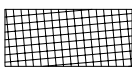

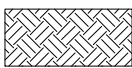


SPECIFICATIONS

Model		YANMAR CRAWLER BACKHOE		
Type		B4U-1 (CANOPY)	B4U-1 (CABIN)	
Machine mass		kg	3500	3640
Engine	Type	-	Vertical 3-cylinder water-cooled diesel	
	Model	-	3TNE84-3MY, E3MY	
	Output/Rotation number	kW(ps)/rpm	20.6(28)/2500	
Std.bucket capacity			0.11	
Max.digging depth		mm	3200	
Max.verical digging depth		mm	2350	
Max.cutting height		mm	5500	
Max.dump height		mm	4020	
Max.ground level		mm	4855	
Max.reach at ground level		mm	4750	
Travel speed(High/Low)		km/h	2.8/4.6	
Swing speed		rpm	9.0	
Shoe type		-	Rubber crawler	
Crawler transport length		mm	2070	
Shoe width(std.)		mm	300	
Track shoe back edge distance		mm	1025	
Tumbler center distance		mm	1615	
Blabe	Max.rising	mm	330	
	Max.descent	mm	270	
Lowest overland height		mm	290	
Transport length		mm	4345	
Transport width		mm	1740	
Transport height		mm	2445	2540
Battery		mm	12V, 68Ah · 1 (FZG · D26L)	

[本機塗装色] (旧形)
 [VEHICLE PAINTED COLOR] (PREVIOUS)

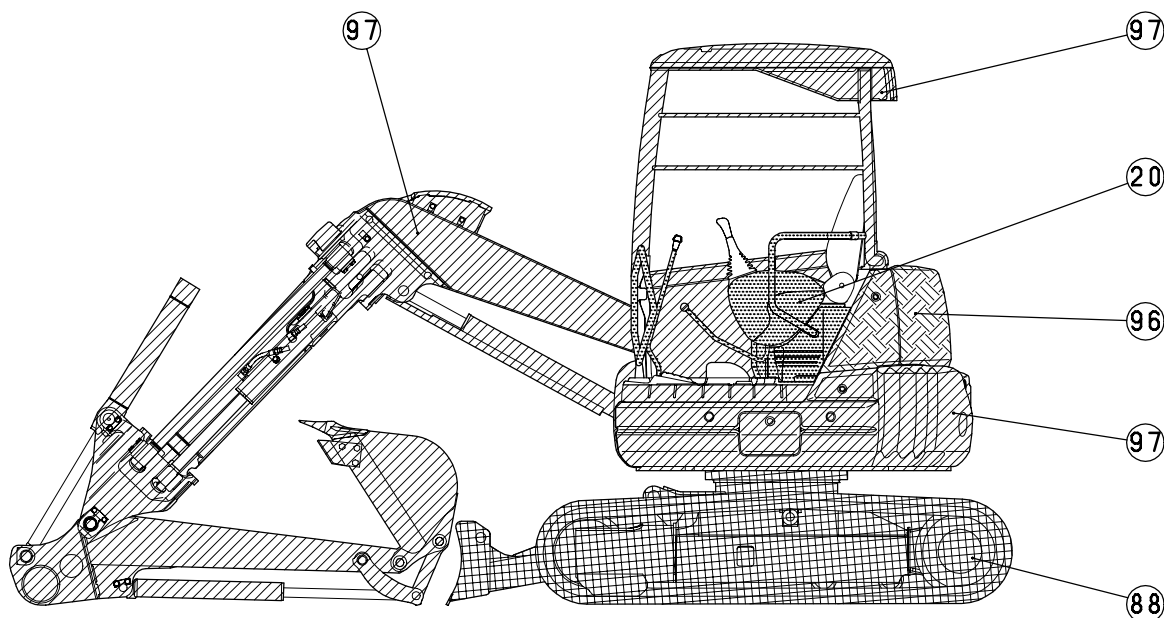
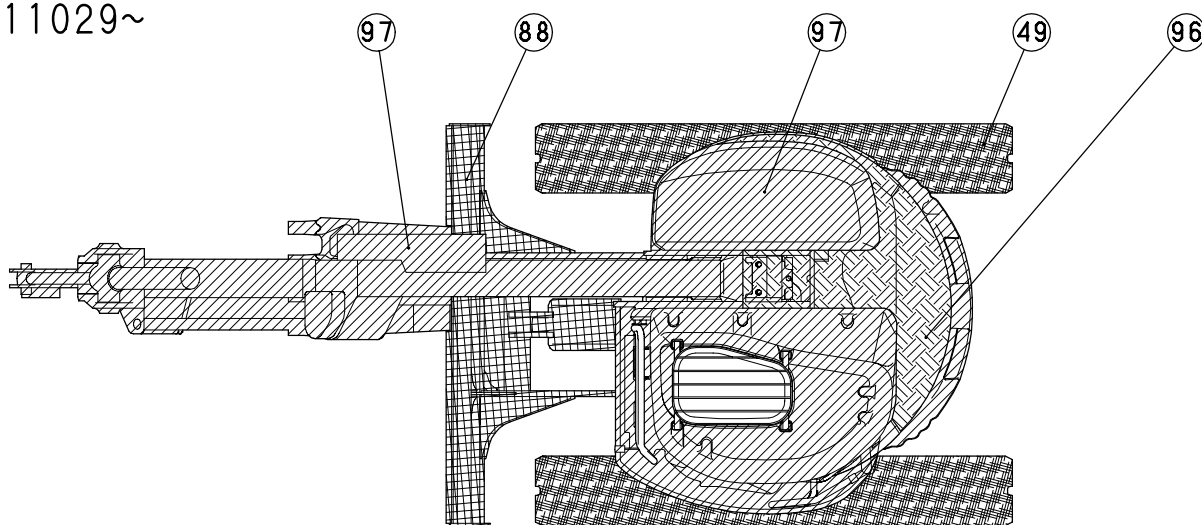
~M/#11028

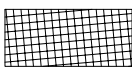

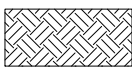




色区分 COLOR DIVISION	表示 DESC RIPTION	塗装色 マンセル記号 PAINTED COLOR MUNSEL No.	塗料部品番号 PAINT PART No.		
			16ℓ缶 16ℓCAN	4ℓ缶 4ℓCAN	スプレー SPRAY
98		ヤンマーオーシャングリーン YANMAR OCEAN GREEN 7.62B6.3/8.09	981101-09598	977620-40980	977620-30981
97		ヤンマーピーコックグリーン YANMAR PEACOCK GREEN 3.8BG5.31/9.15	981101-09597	977620-40970	977620-30971
96		ヤンマーシトラスグリーン YANMAR CITRUS GREEN 4.84GY8.42/6.99	981101-09599	977620-40990	977620-30991
20		ヤンマーグレー YANMAR GRAY N-2.73	-----	-----	TOR-90360003
49		ヤンマーネイビーグレー YANMAR NAVY GRAY 8.12B131/0.42	-----	TOR-91390000	TOR-90390002

[本機塗装色] (新形)
 [VEHICLE PAINTED COLOR] (NEW)

M/#11029~



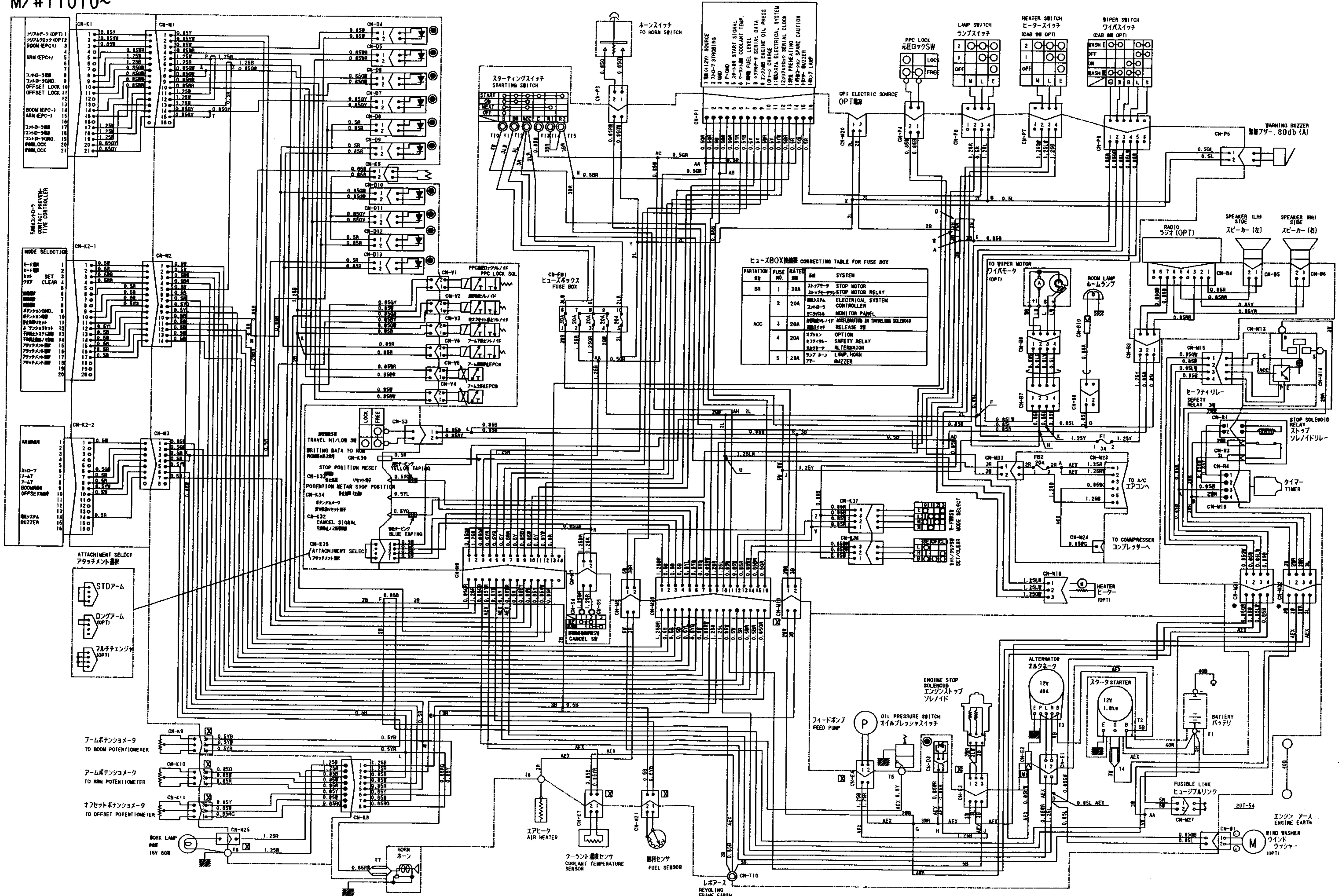
色区分 COLOR DIVISION	表示 DESC RIPTION	塗装色 マンセル記号 PAINTED COLOR MUNSEL No.	塗料部品番号 PAINT PART No.		
			16ℓ缶 16ℓCAN	4ℓ缶 4ℓCAN	スプレー SPRAY
88		ヤンマー新ディープグリーン YANMAR NEW DEEP GREEN 0.6B2.2/4.2	981101-09588	977620-40880	977620-30881
97		ヤンマーピーコックグリーン YANMAR PEACOCK GREEN 3.8BG5.31/9.15	981101-09597	977620-40970	977620-30971
96		ヤンマーシトラスグリーン YANMAR CITRUS GREEN 4.84GY8.42/6.99	981101-09599	977620-40990	977620-30991
20		ヤンマーグレー YANMAR GRAY N-2.73	-----	-----	TOR-90360003
49		ヤンマーネイビーグレー YANMAR NAVY GRAY 8.12B131/0.42	-----	TOR-91390000	TOR-90390002

[塗料部品番号]
[PAINT PART No.]

部所 PART	塗装色 マンセル記号 PAINTED COLOR MUNSEL No.	色区分 COLOR DIVISION	塗料部品番号 PAINT PART No.		
			16ℓ缶 16ℓCAN	4ℓ缶 4ℓCAN	スプレー SPRAY
①	ヤンマーオーシャングリーン YANMAR OCEAN GREEN 7.62B6.3/8.09	98	981101-09598	977620-40980	977620-30981
②	ヤンマーピーコックグリーン YANMAR PEACOCK GREEN 3.8BG5.31/9.15	97	981101-09597	977620-40970	977620-30971
③	ヤンマーシトラスグリーン YANMAR CITRUS GREEN 4.84GY8.42/6.99	96	981101-09599	977620-40990	977620-30991
④	ヤンマーグレー YANMAR GRAY N-2.73	20	-----	-----	TOR-90360003
⑤	ヤンマーネイビーグレー YANMAR NAVY GRAY 8.12B131/0.42	49	-----	TOR-91390000	TOR-90390002

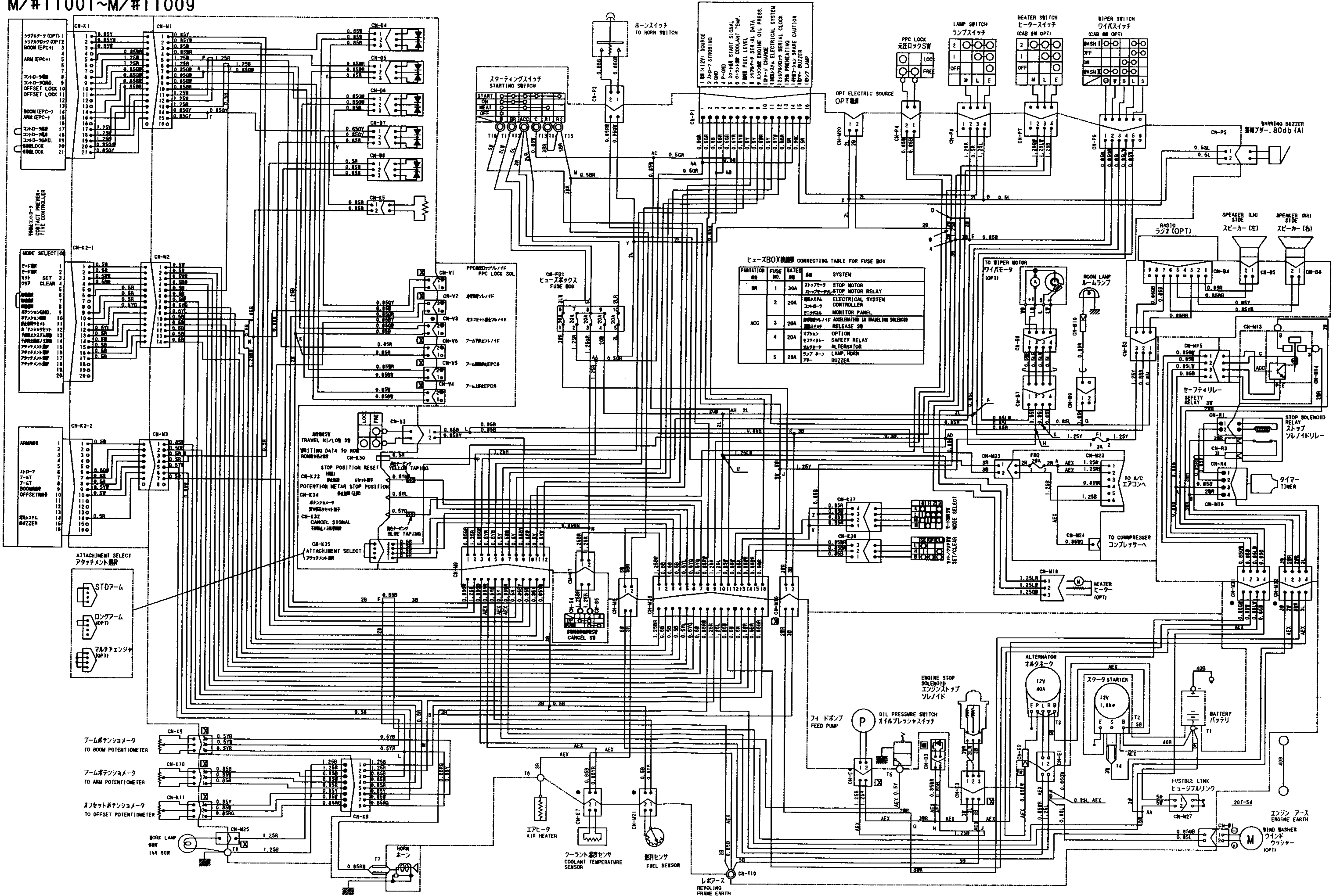
配線図 WIRING DIAGRAM

M/#11010~



~M/#10538
M/#11001~M/#11009

配線図
WIRING DIAGRAM



絵目次 (1) エンジン関連部品 & 油圧系統
 PICTURESQUE INDEX (1) ENGINE RELATED PARTS
 & HYDRAULIC SYSTEM

[Fig. 1~44, 129, 130, 206~211, 218~251]

エンジン関連部品
 ENGINE RELATED PARTS

- エンジンマウント . . . Fig. 1
ENGINE MOUNT
- 排気パイプ . . . Fig. 2
EXH. PIPE
- 吸気パイプ . . . Fig. 3
SUC. PIPE
- 燃料コントロールレバー . . . Fig. 4, 5
FUEL CONTROL LEVER
- ダンパ . . . Fig. 6
DUMPER
- マウント&フィッティング (油圧ポンプ) . . . Fig. 21, 22, 23
MOUNT & FITTING (HYD. OIL PUMP)
- 油圧ポンプ . . . Fig. 206~211
HYD. OIL PUMP

- 電装品 . . . Fig. 14, 15
ELECTRIC PART
- 安全装置 . . . Fig. 17
SAFETY EQUIP.

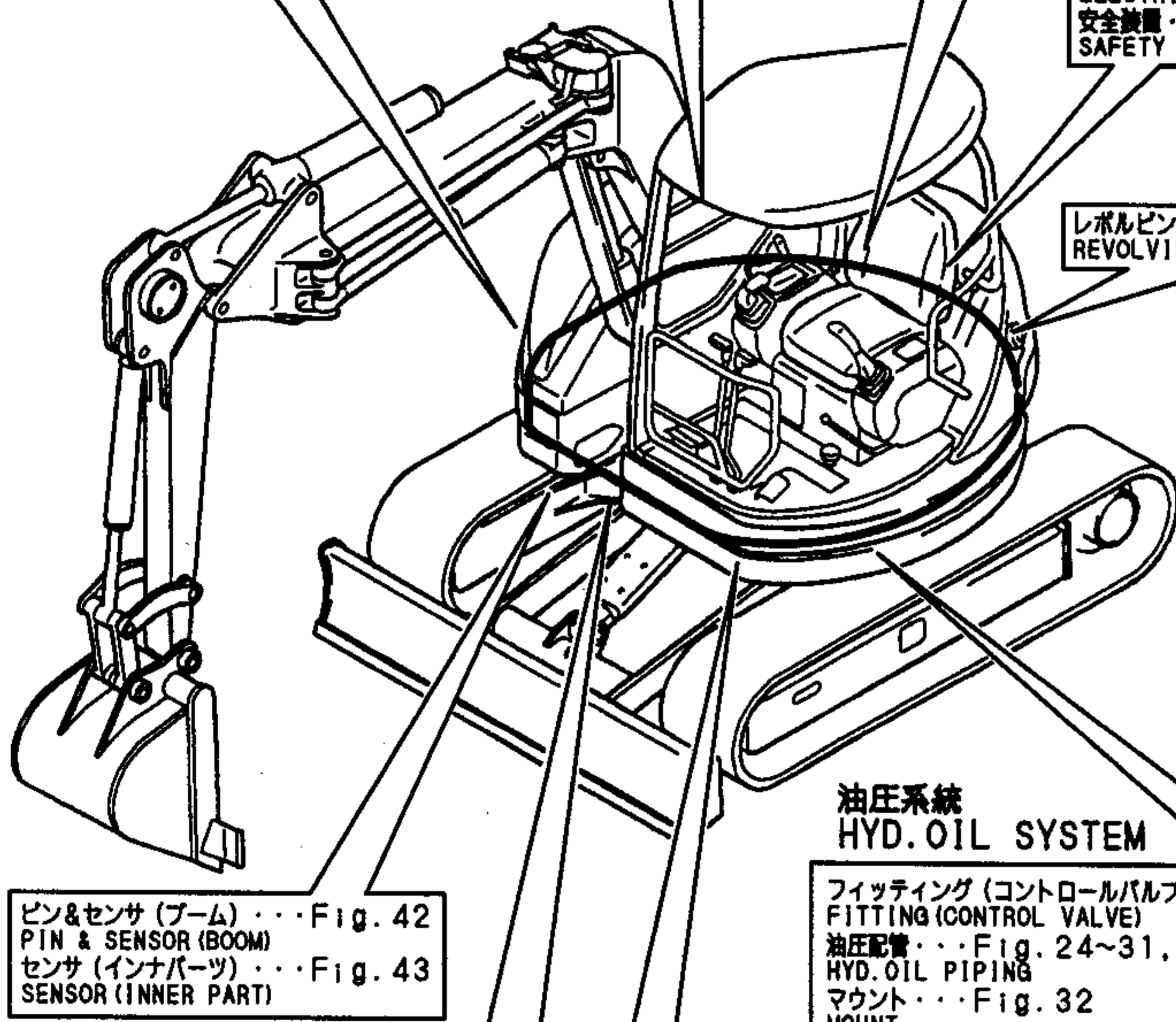
- レボルビングフレーム . . . Fig. 41
REVOLVING FRAME

油圧系統
 HYD. OIL SYSTEM

- フィッティング (コントロールバルブ) . . . Fig. 20
FITTING (CONTROL VALVE)
- 油圧配管 . . . Fig. 24~31, 33, 34, 37~40
HYD. OIL PIPING
- マウント . . . Fig. 32
MOUNT
- コントロールバルブ . . . Fig. 129, 130, 218~251
CONTROL VALVE

- 燃料タンク . . . Fig. 11
FUEL TANK
- 燃料パイプ . . . Fig. 12
FUEL PIPE
- バッテリー . . . Fig. 13
BATTERY
- バッテリーケーブル . . . Fig. 16
BATTERY CABLE
- 作動油タンク . . . Fig. 18
HYD. OIL TANK
- 作動油タンクマウント . . . Fig. 19
HYD. OIL TANK MOUNT

- ラジエータ&オイルクーラ . . . Fig. 7
RADIATOR & OIL COOLER
- ラジエータマウント . . . Fig. 8
RADIATOR MOUNT
- ベルト&ファンガード . . . Fig. 9
BELT & FAN GUARD
- ネット . . . Fig. 10
NET



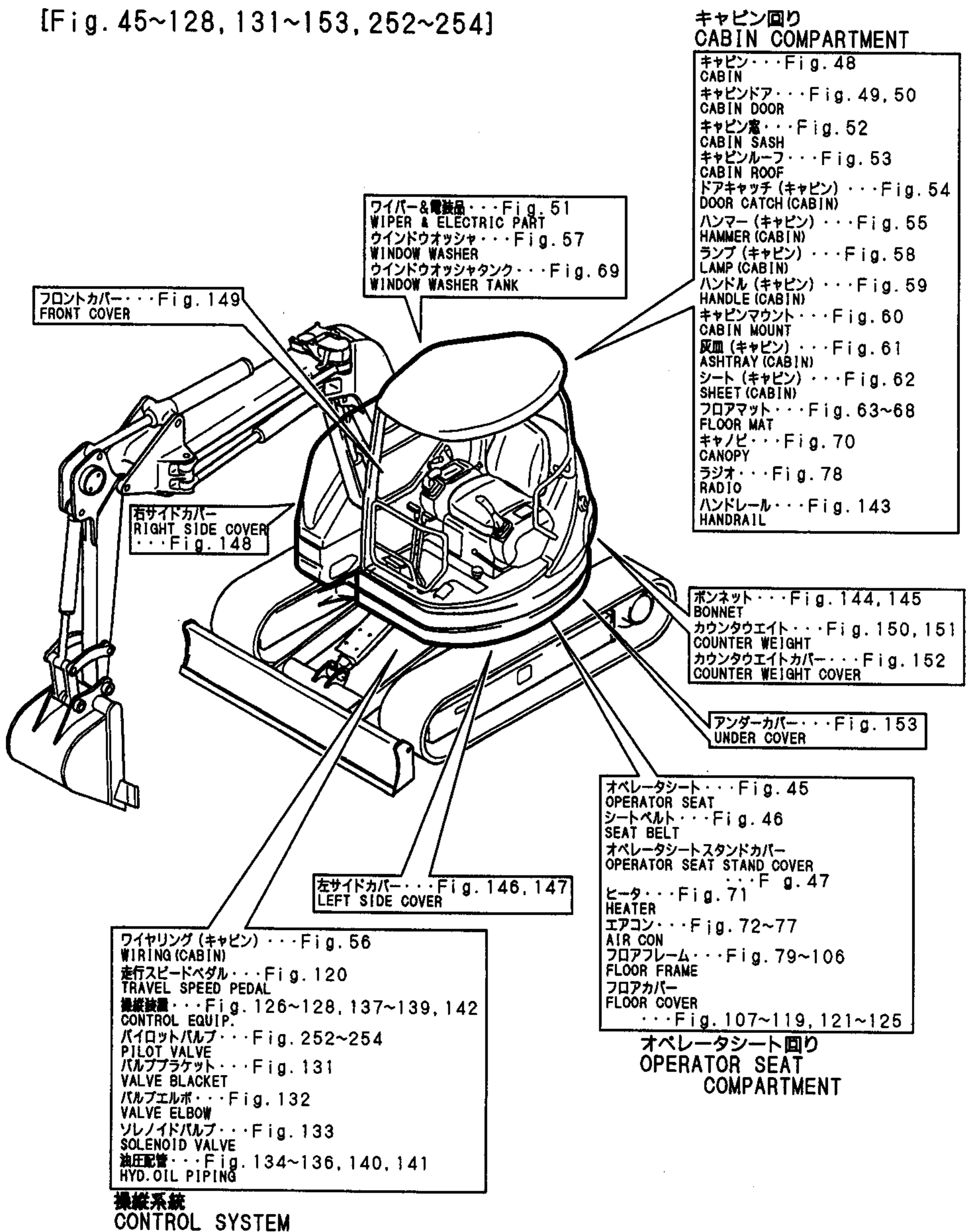
- ピン&センサ (ブーム) . . . Fig. 42
PIN & SENSOR (BOOM)
- センサ (インナパーツ) . . . Fig. 43
SENSOR (INNER PART)

- 潤滑油パイプ . . . Fig. 44
LUB. OIL PIPE

- 4ウェイマルチバルブ . . . Fig. 35
4 WAY MULTI VALVE
- 銘板 (4ウェイマルチ) . . . Fig. 36
LABEL (4 WAY MULTI)

絵目次 (2) キャビン回り & 操縦系統
 PICTURESQUE INDEX (2) CABIN COMPARTMENT & CONTROL SYSTEM

[Fig. 45~128, 131~153, 252~254]



キャビン回り
CABIN COMPARTMENT

- キャビン . . . Fig. 48
CABIN
- キャビンドア . . . Fig. 49, 50
CABIN DOOR
- キャビン窓 . . . Fig. 52
CABIN SASH
- キャビンルーフ . . . Fig. 53
CABIN ROOF
- ドアキャッチ (キャビン) . . . Fig. 54
DOOR CATCH (CABIN)
- ハンマー (キャビン) . . . Fig. 55
HAMMER (CABIN)
- ランプ (キャビン) . . . Fig. 58
LAMP (CABIN)
- ハンドル (キャビン) . . . Fig. 59
HANDLE (CABIN)
- キャビンマウント . . . Fig. 60
CABIN MOUNT
- 灰皿 (キャビン) . . . Fig. 61
ASHTRAY (CABIN)
- シート (キャビン) . . . Fig. 62
SHEET (CABIN)
- フロアマット . . . Fig. 63~68
FLOOR MAT
- キャノピ . . . Fig. 70
CANOPY
- ラジオ . . . Fig. 78
RADIO
- ハンドレール . . . Fig. 143
HANDRAIL

- ボンネット . . . Fig. 144, 145
BONNET
- カウンタウエイト . . . Fig. 150, 151
COUNTER WEIGHT
- カウンタウエイトカバー . . . Fig. 152
COUNTER WEIGHT COVER

- アンダーカバー . . . Fig. 153
UNDER COVER

- オペレータシート . . . Fig. 45
OPERATOR SEAT
- シートベルト . . . Fig. 46
SEAT BELT
- オペレータシートスタンドカバー . . . Fig. 47
OPERATOR SEAT STAND COVER
- ヒータ . . . Fig. 71
HEATER
- エアコン . . . Fig. 72~77
AIR CON
- フロアフレーム . . . Fig. 79~106
FLOOR FRAME
- フロアカバー . . . Fig. 107~119, 121~125
FLOOR COVER

オペレータシート回り
OPERATOR SEAT
COMPARTMENT

- ワイパー&電装品 . . . Fig. 51
WIPER & ELECTRIC PART
- ウインドウオッシャ . . . Fig. 57
WINDOW WASHER
- ウインドウオッシャタンク . . . Fig. 69
WINDOW WASHER TANK

- フロントカバー . . . Fig. 149
FRONT COVER

- 右サイドカバー . . . Fig. 148
RIGHT SIDE COVER

- 左サイドカバー . . . Fig. 146, 147
LEFT SIDE COVER

- ワイヤリング (キャビン) . . . Fig. 56
WIRING (CABIN)
- 走行スピードペダル . . . Fig. 120
TRAVEL SPEED PEDAL
- 操縦装置 . . . Fig. 126~128, 137~139, 142
CONTROL EQUIP.
- パイロットバルブ . . . Fig. 252~254
PILOT VALVE
- バルブブラケット . . . Fig. 131
VALVE BRACKET
- バルブエルボ . . . Fig. 132
VALVE ELBOW
- ソレノイドバルブ . . . Fig. 133
SOLENOID VALVE
- 油圧配管 . . . Fig. 134~136, 140, 141
HYD. OIL PIPING

操縦系統
CONTROL SYSTEM

絵目次 (3) 足回り
 PICTURESQUE INDEX (3) . . . UNDER CARRIAGE

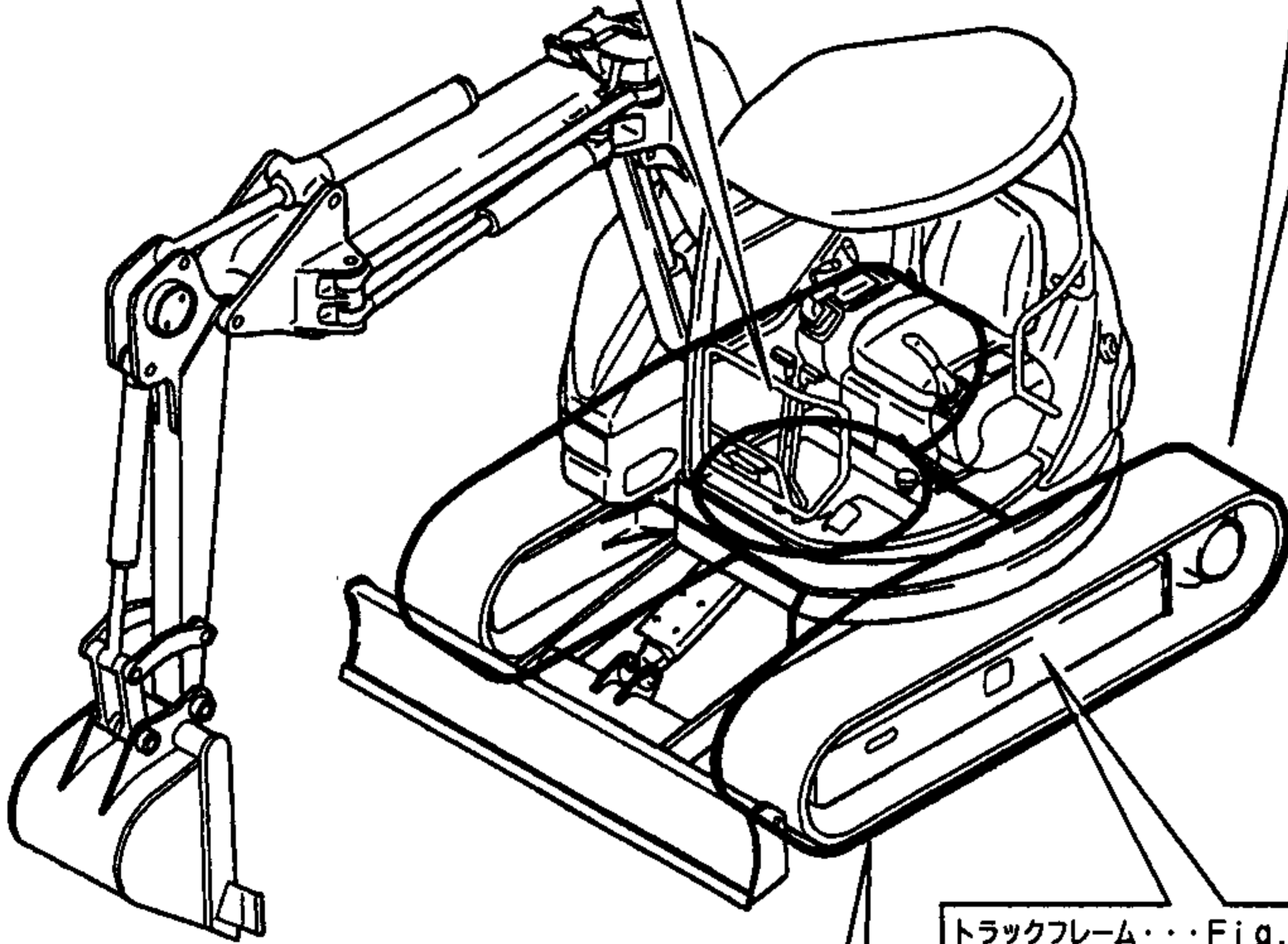
[Fig. 154~171, 212~217]

旋回関連部品
 TURNING RELATED PARTS

- 旋回ベアリング . . . Fig. 154
 TURNING BEARING
- 旋回装置 . . . Fig. 155, 156
 TURNING EQUIP.
- スィベルジョイント . . . Fig. 157, 212
 SWIVEL JOINT
- スィベルジョイントマウント . . . Fig. 158
 SWIVEL JOINT MOUNT
- 油圧配管 . . . Fig. 159
 HYD. OIL PIPING
- 旋回モータ . . . Fig. 213, 214
 TURNING MOTOR

走行
 TRAVEL

- 走行モータ . . . Fig. 160, 215~217
 TRAVEL MOTOR
- スプロケット . . . Fig. 161
 SPROCKET



- トラックフレーム . . . Fig. 168
 TRACK FRAME
- トラックフレームカバー . . . Fig. 169
 TRACK FRAME COVER
- トラックガード . . . Fig. 170, 171
 TRACK GUARD

- フロントアイドル . . . Fig. 162
 FRONT IDLER
- アイドルクッション . . . Fig. 163
 IDLER CUSHION
- トラックローラ . . . Fig. 164
 TRACK ROLLER
- キャリアローラ . . . Fig. 165
 CARRIER ROLLER
- ゴムローラ . . . Fig. 166
 RUBBER CRAWLER
- 鉄ローラ . . . Fig. 167
 STEEL CRAWLER

クローラ & 関連部品
 CRAWLER & RELATED PARTS

絵目次(4) 作業機
PICTURESQUE INDEX (4) WORK EQUIPMENT

[Fig. 172~205, 255, 256]

ブーム関連部品
BOOM RELATED PARTS

1ST, 2NDブーム&3RDブラケット . . . Fig. 172, 173
1ST, 2ND BOOM & 3RD BRACKET
ピン(ブーム) . . . Fig. 174~176
PIN (BOOM)
油圧配管 . . . Fig. 177, 192
HYD. OIL PIPING
安全装置(ブーム) . . . Fig. 179
SAFETY EQUIP. (BOOM)

銘板&プレート . . . Fig. 201, 202
LABEL & PLATE
銘板 . . . Fig. 203, 204
LABEL
工具 . . . Fig. 205
TOOL
安全銘板 . . . Fig. 255, 256
SAFETY LABEL

ワークランプ&ブームシリンダカバー . . . Fig. 178
WORK LAMP & BOOM CYLINDER COVER

アームシリンダ . . . Fig. 181
ARM CYLINDER

ブームシリンダ . . . Fig. 180
BOOM CYLINDER

安全装置(アーム) . . . Fig. 186
SAFETY EQUIP. (ARM)

アーム . . . Fig. 183, 185
ARM
ロングアーム . . . Fig. 184
LONG ARM
油圧配管 . . . Fig. 187, 192
HYD. OIL PIPING

オフセットシリンダ . . . Fig. 182
OFFSET CYLINDER

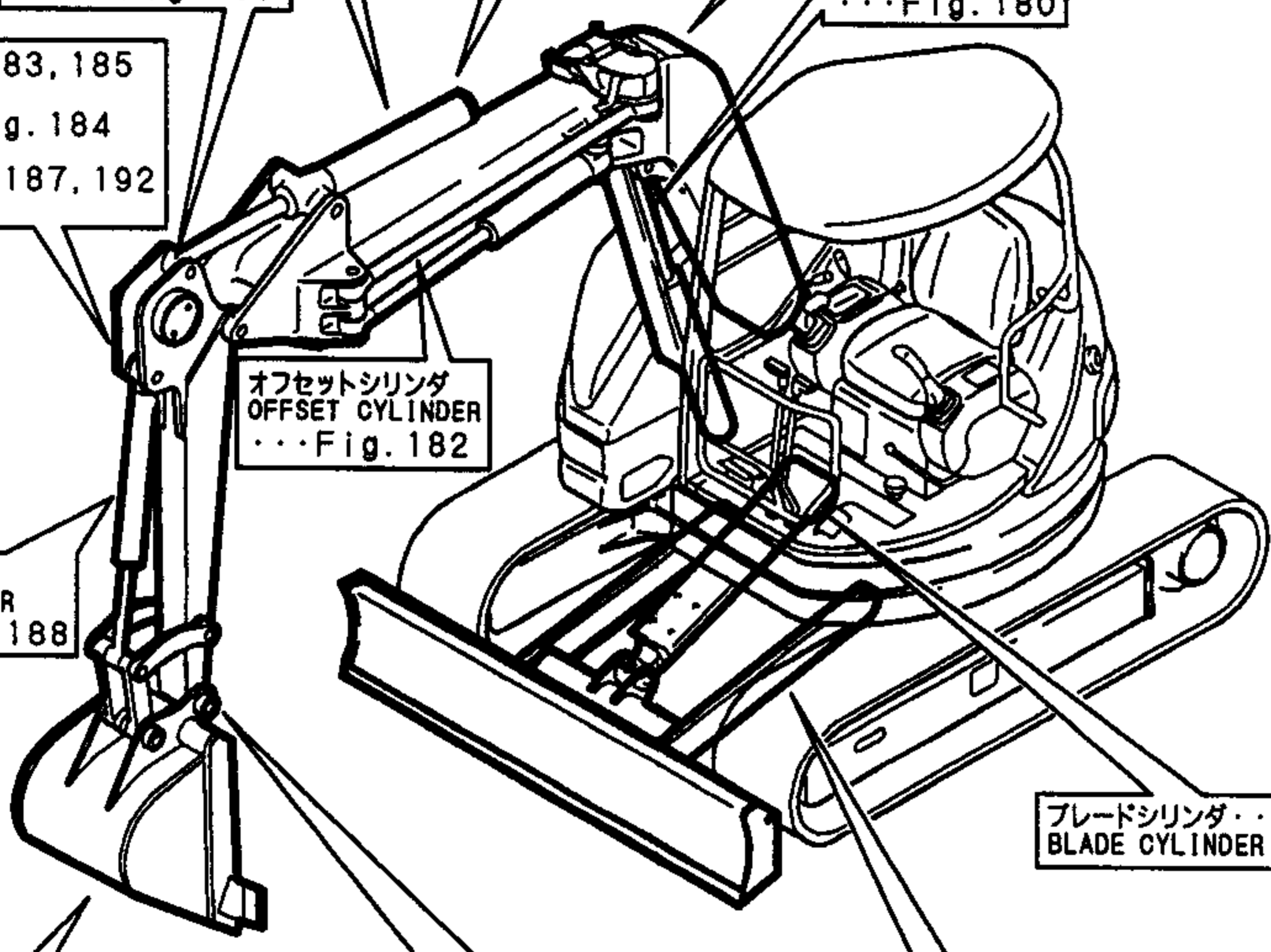
バケットシリンダ . . . Fig. 188
BUCKET CYLINDER

ブレードシリンダ . . . Fig. 200
BLADE CYLINDER

バケット . . . Fig. 193~198
BUCKET

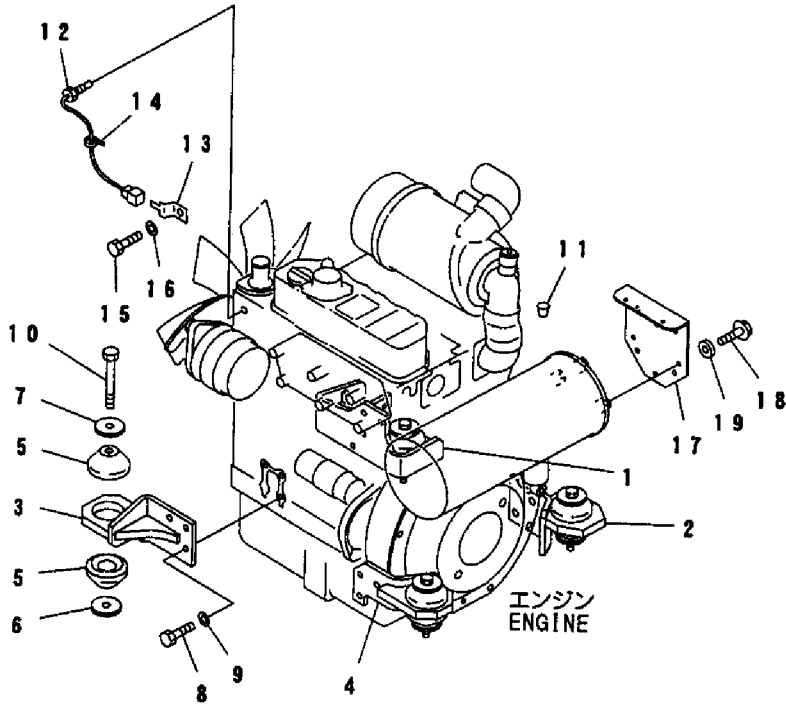
バケットリンク . . . Fig. 189
BUCKET LINK
バケットピン . . . Fig. 190, 191
BUCKET PIN

ブレード . . . Fig. 199
BLADE



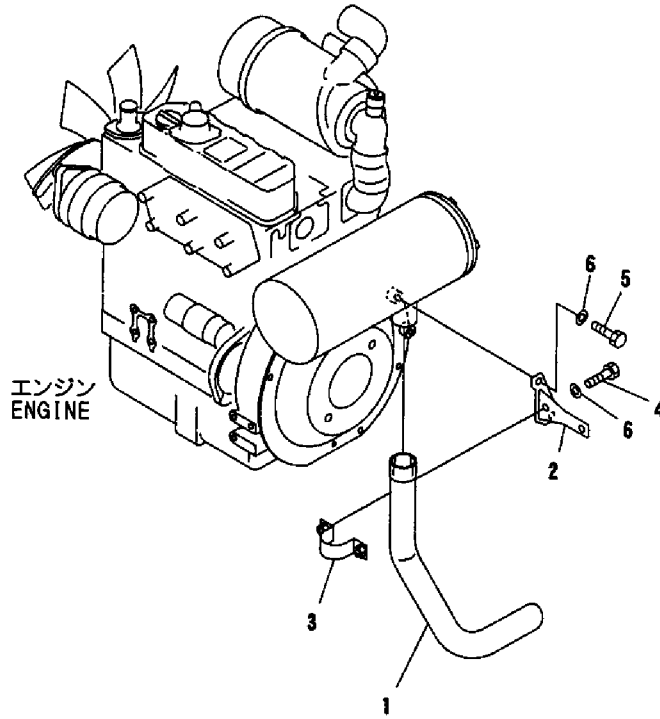
1,1,,182901-37830,,BRACKET,1,,,,,,,,,,,,,
2,1,,182901-37890,,BRACKET,1,,,,,,,,,,,,,
3,1,,182901-37850,,BRACKET,1,,,,,,,,,,,,,
4,1,,182901-37870,,BRACKET,1,,,,,,,,,,,,,
5,1,,182901-31430,,CUSHION,8,,,,,,,,,,,,,
6,1,,182901-31350,,WASHER,4,,,,,,,,,,,,,
7,1,,182901-37960,,WASHER,4,,,,,,,,,,,,,
8,1,,182900-64860,,BOLT,12,,,,,,,,,,,,,
9,1,,953KM0-00222,,WASHER,12,,,,,,,,,,,,,
10,1,,182901-29120,,BOLT,4,,,,,,,,,,,,,
11,1,,953KM0-00410,,PLUG,4,,,,,,,,,,,,,
12,1,,953KM0-03625,, "SENSOR,WATER TEMP.",1,,,,,,,,,,,,,
13,1,,182901-32160,,BRACKET,1,,,,,,,,,,,,,
14,1,,953KM0-00550,,BAND,1,,,,,,,,,,,,,
15,1,,182900-67980,,BOLT,2,,,,,,,,,,,,,
16,1,,953KM0-00221,,WASHER,2,,,,,,,,,,,,,
17,1,,182901-37970,,COVER,1,,,,,,,,,,,,,
18,1,,182900-04230,,BOLT,3,,,,,,,,,,,,,
19,1,,182900-49460,,WASHER,3,,,,,,,,,,,,,

Fig. 1 エンジンマウント
ENGINE MOUNT



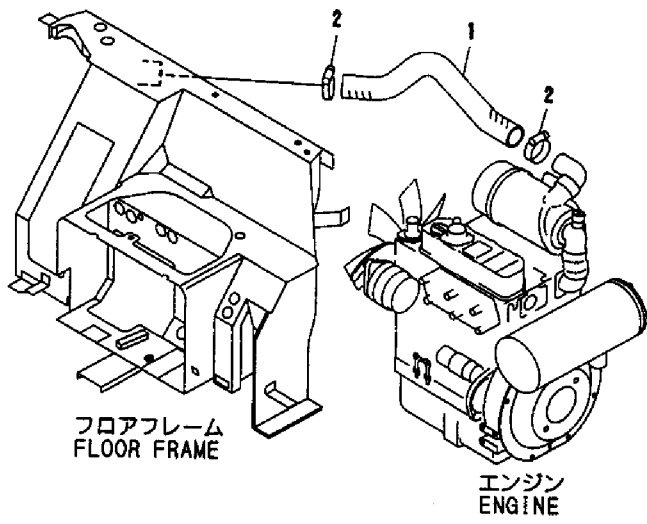
1,1,,182901-32150,,PIPE,1,,,,,,,,,,,,,
2,1,,182901-37910,,BRACKET,1,,,,,,,,,,,,,
2-1,1,,182901-51530,,BRACKET,1,,,,,S,,*,M/#10506,,,,,,,,,,,,,I
3,1,,182901-30350,,CLIP,1,,,,,,,,,,,,,
4,1,,182900-68010,,BOLT,2,,,,,,,,,,,,,
5,1,,182900-68000,,BOLT,2,,,,,,,,,,,,,
6,1,,953KM0-00222,,WASHER,4,,,,,,,,,,,,,

Fig. 2 排気パイプ
EXH. PIPE



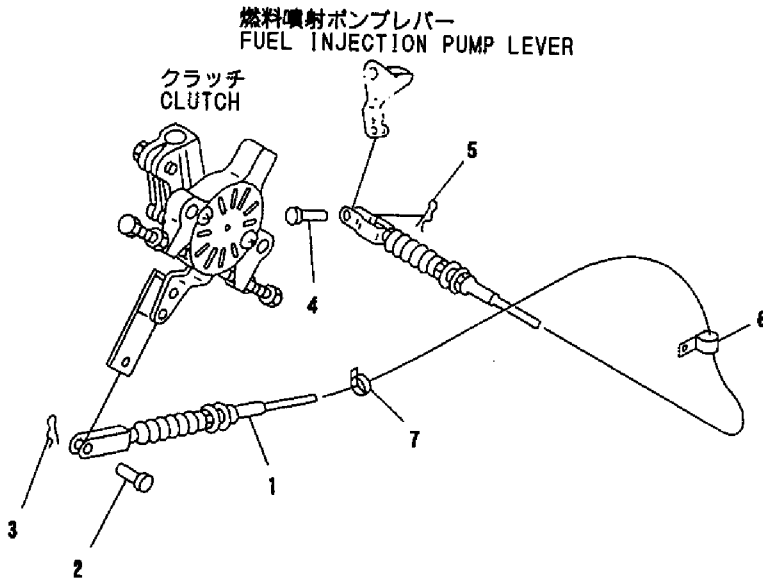
1,1,,182901-37950,,HOSE,1,,,,,,,,,,,,,
2,1,,182900-83370,,CLAMP,2,,,,,,,,,,,,,
2-1,1,,953KM0-00514,,CLAMP,2,,,,,,S,,*,M/#11001,,,,,,,,,I

Fig. 3 吸気パイプ
SUC. PIPE



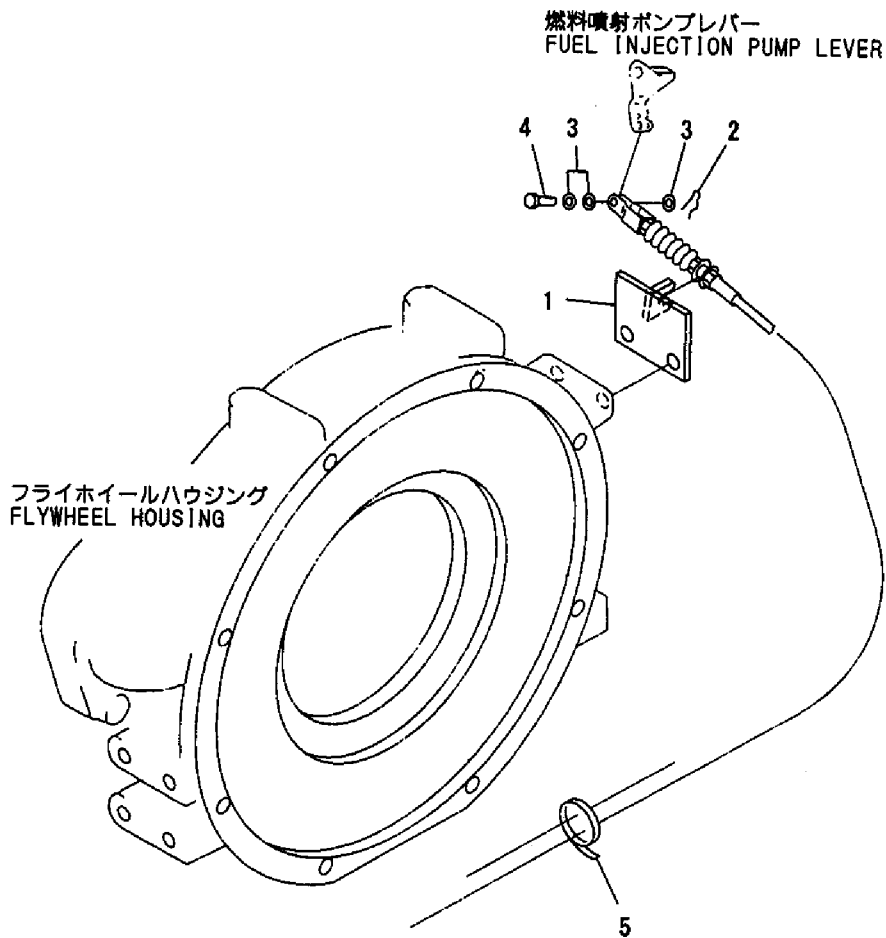
1,1,,182901-32580,,CABLE,1,,,,,,,,,,,,,
2,1,,953KM0-12214,,PIN,1,,,,,,,,,,,,,
3,1,,22372-060000,,,"SNAP PIN 6",1,,,,,,,,,,,,,
4,1,,182900-17930,,PIN,1,,,,,,,,,,,,,
5,1,,22372-080000,,,"SNAP PIN (JASO 8)",1,,,,,,,,,,,,,
6,1,,182901-29520,,CLIP,1,,,,,,,,,,,,,
7,1,,182900-24960,,BAND,1,,,,,,,,,,,,,

Fig. 4 燃料コントロールレバー
FUEL CONTROL LEVER



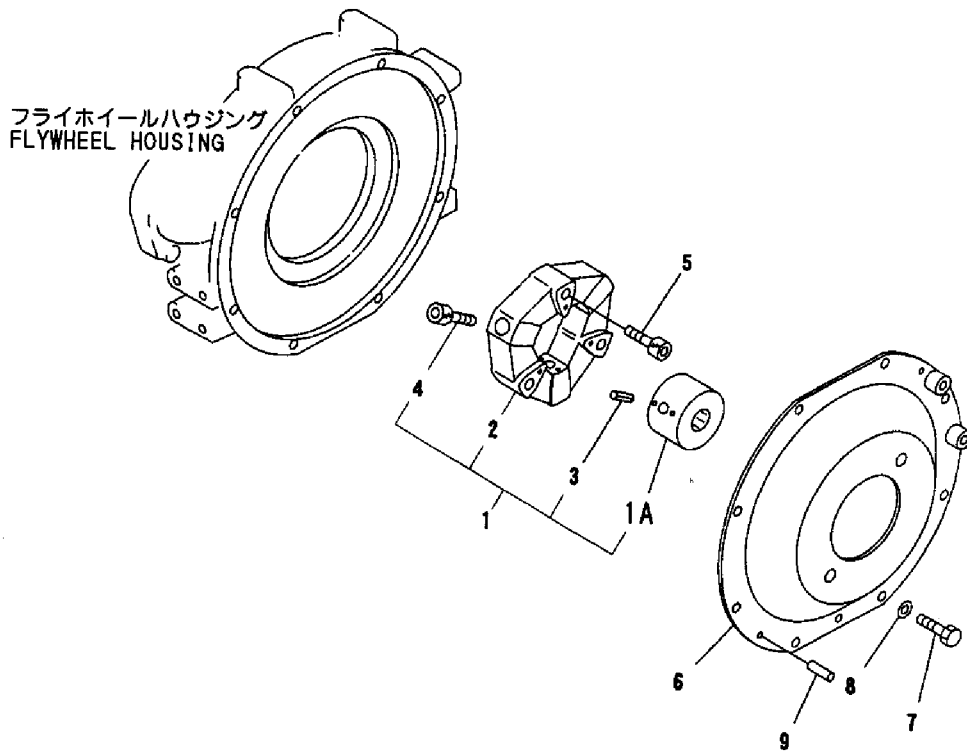
1,1,,182901-50350,,BRACKET,1,,,,,,,,,,,,,
2,1,,182901-50190,,PIN,1,,,,,,,,,,,,,
3,1,,953KM0-00220,,WASHER,3,,,,,,,,,,,,,
4,1,,22372-060000,, "SNAP PIN 6",1,,,,,,,,,,,,,
5,1,,182900-24960,,BAND,1,,,,,,,,,,,,,

Fig. 5 燃料コントロールレバー (ワンタッチデセル)
FUEL CONTROL LEVER (ONE TOUCH DECEL)



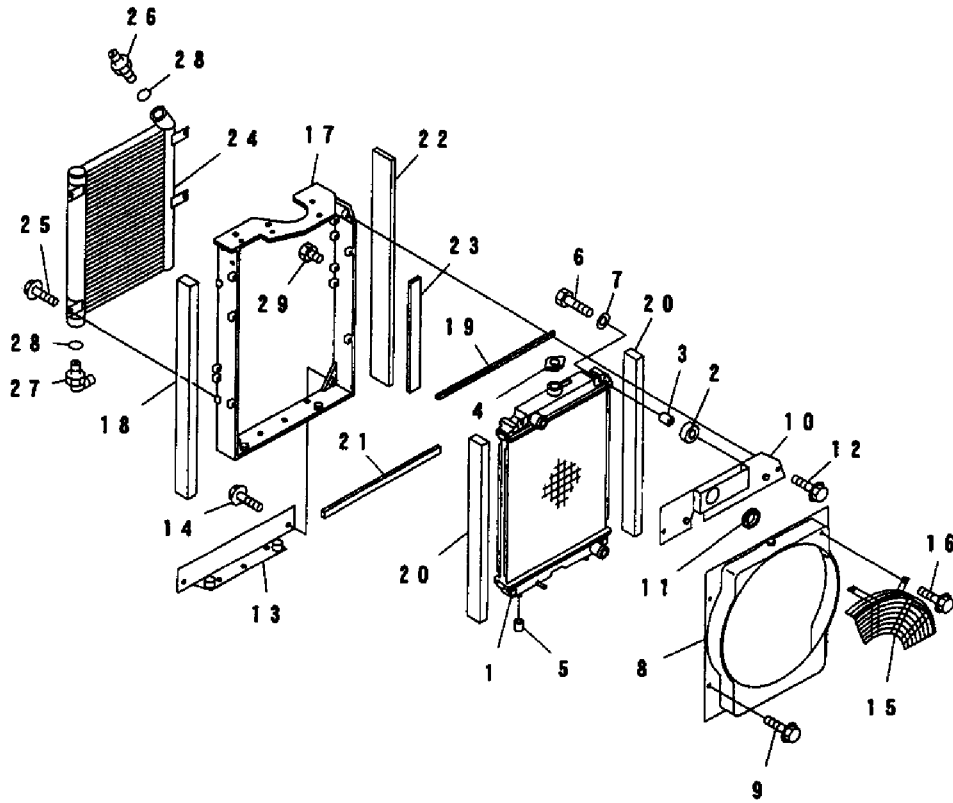
1,1,,182901-30670,,COUPLING,1,,,,,,,,,,,,,
1A,2,,182901-30680,,BOSS,1,,,,,,,,,,,,,
2,2,,182900-26120,,RUBBER,1,,,,,,,,,,,,,
3,2,,22351-050012,, "PIN 5X12,SPRING",6,,,,,,,,,,,,,
4,2,,182900-24440,,BOLT,3,,,,,,,,,,,,,
5,1,,182900-24440,,BOLT,3,,,,,,,,,,,,,
6,1,,182901-37930,,COVER,1,,,,,,,,,,,,,
7,1,,182900-68000,,BOLT,8,,,,,,,,,,,,,
8,1,,953KM0-00222,,WASHER,8,,,,,,,,,,,,,
9,1,,953KM0-10830,, "PIN,DOWEL",2,,,,,,,,,,,,,

Fig. 6 ダンバ DUMPER



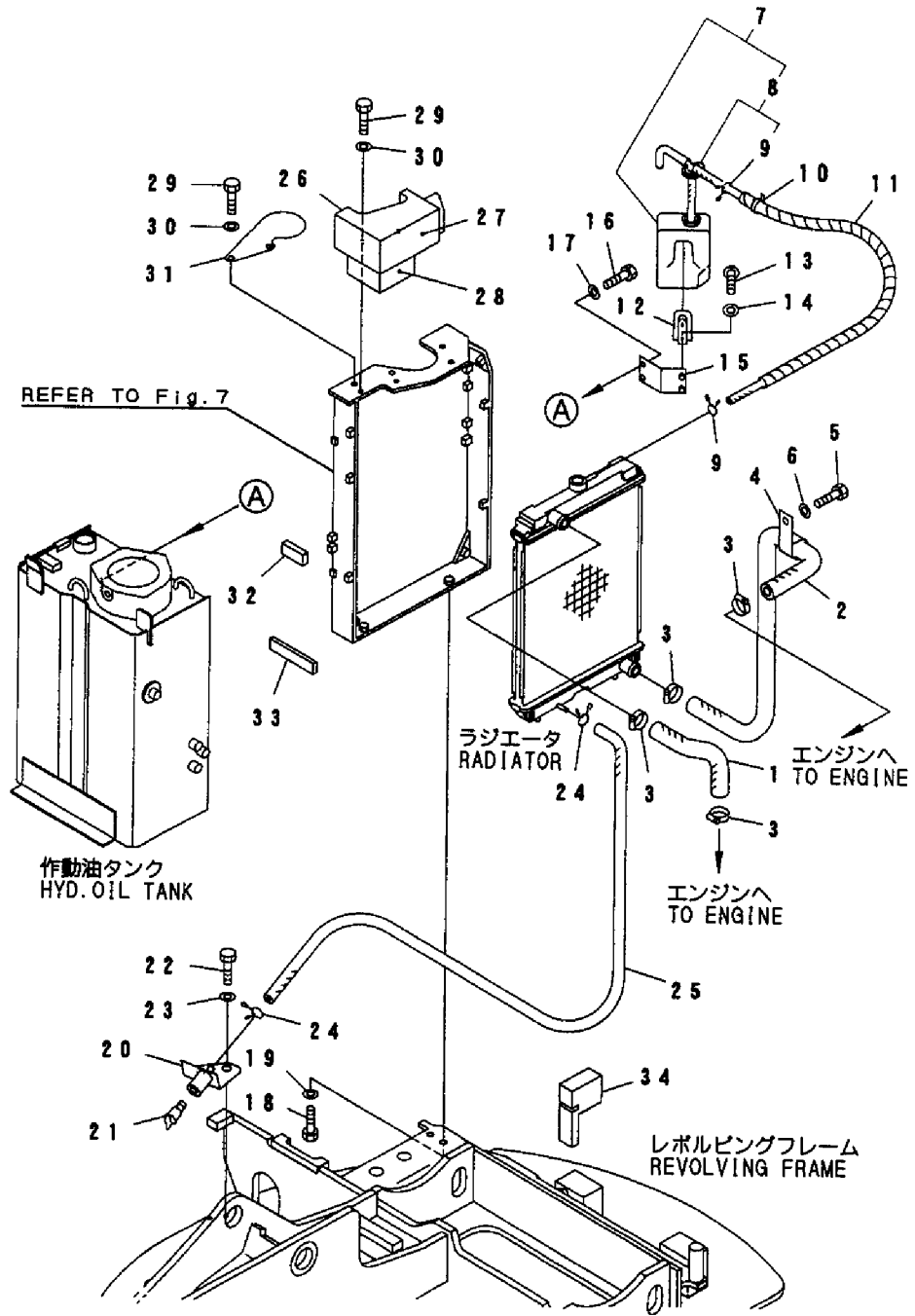
1,1,,182901-38010,,RADIATOR,1,,,,,,,,,,,,,
2,1,,182901-31500,,CUSHION,2,,,,,,,,,,,,,
3,1,,182901-31460,,COLLAR,2,,,,,,,,,,,,,
4,1,,182901-39770,,CAP,1,,,,,,,,,,,,,
5,1,,182901-31510,,CUSHION,2,,,,,,,,,,,,,
6,1,,182900-64840,,BOLT,2,,,,,,,,,,,,,
7,1,,953KM0-00221,,WASHER,2,,,,,,,,,,,,,
8,1,,182901-38020,,SHROUD,1,,,,,,,,,,,,,
9,1,,953KM0-10775,,BOLT,4,,,,,,,,,,,,,
10,1,,182901-38060,,BRACKET,1,,,,,,,,,,,,,
11,1,,953KM0-00602,,CAP,1,,,,,,,,,,,,,
12,1,,953KM0-10775,,BOLT,2,,,,,,,,,,,,,
13,1,,182901-38120,,BRACKET,1,,,,,,,,,,,,,
14,1,,182900-07400,,BOLT,4,,,,,,,,,,,,,
15,1,,182901-38040,, "WIRE NET",1,,,,,,,,,,,,,
16,1,,953KM0-10774,,BOLT,3,,,,,,,,,,,,,
17,1,,182901-38050,,FRAME,1,,,,,,,,,,,,,
18,1,,182901-38080,,PACKING,1,,,,,,,,,,,,,
19,1,,182901-31480,,SHEET,1,,,,,,,,,,,,,
20,1,,182901-31470,,SHEET,2,,,,,,,,,,,,,
21,1,,182901-31490,,SHEET,1,,,,,,,,,,,,,
22,1,,182901-38070,,SHEET,1,,,,,,,,,,,,,
23,1,,182901-38150,,SHEET,1,,,,,,,,,,,,,
24,1,,182901-38030,, "OIL COOLER",1,,,,,,,,,,,,,
25,1,,953KM0-10775,,BOLT,4,,,,,,,,,,,,,
26,1,,182901-40650,,UNION,1,,,,,,,,,,,,,
26-1,1,,182901-51650,,ELBOW,1,,,,,S,*M/#10506,,,,,,I
27,1,,182901-40660,,ELBOW,1,,,,,,,,,,,,,
28,1,,953KM0-00390,,O-RING,2,,,,,,,,,,,,,
29,1,,182901-29650,,PLUG,4,,,,,,,,,,,,,

Fig. 7 ラジエータ&オイルクーラ
RADIATOR & OIL COOLER



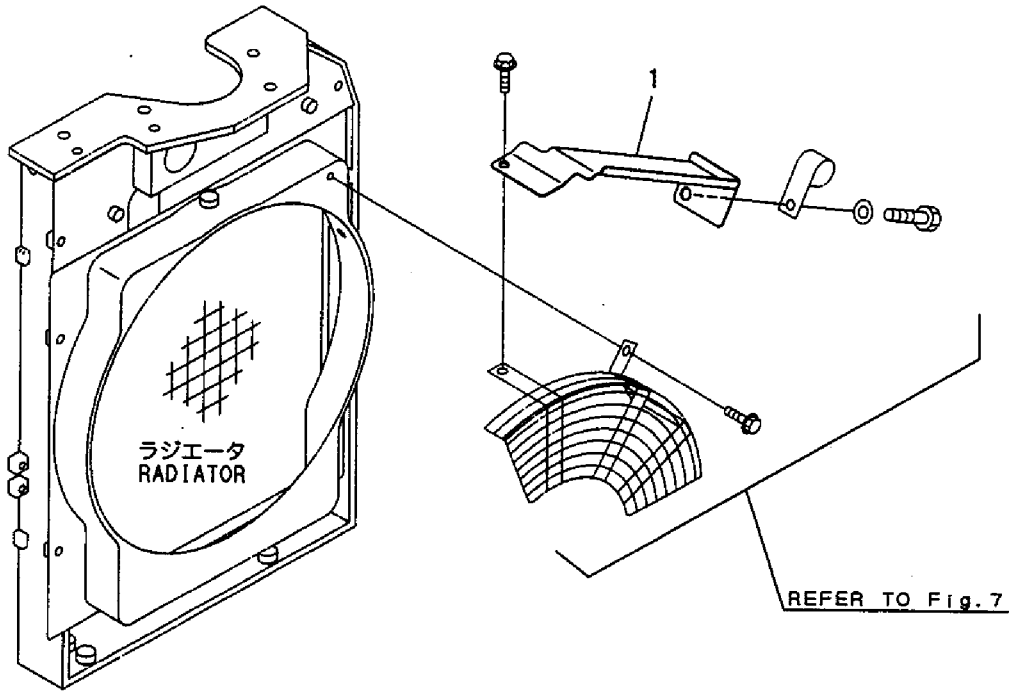
1,1,,182901-31440,,HOSE,1,,,,,,,,,,,,,
2,1,,182901-31450,,HOSE,1,,,,,,,,,,,,,
3,1,,182900-83360,,CLAMP,4,,,,,,,,,,,,,
3-1,1,,953KM0-10944,,CLAMP,4,,,,,,S,*M/#11001,,,,,,,,,,,,,I
4,1,,182900-34750,,CLIP,1,,,,,,,,,,,,,
5,1,,182900-68000,,BOLT,1,,,,,,,,,,,,,
6,1,,953KM0-00222,,WASHER,1,,,,,,,,,,,,,
7,1,,182901-30690,,TANK,1,,,,,,,,,,,,,
8,2,,182901-30700,, "CONDUCTION ASS'Y",1,,,,,,,,,,,,,
9,3,,182900-16130,,CLAMP,2,,,,,,,,,,,,,
10,1,,182900-24960,,BAND,1,,,,,,,,,,,,,
11,1,,182901-29850,,CONDUIT,1,,,,,,,,,,,,,
12,1,,182900-34980,,BRACKET,1,,,,,,,,,,,,,
13,1,,182900-67950,,BOLT,2,,,,,,,,,,,,,
14,1,,953KM0-00220,,WASHER,2,,,,,,,,,,,,,
15,1,,182901-38130,,BRACKET,1,,,,,,,,,,,,,
16,1,,182900-68000,,BOLT,2,,,,,,,,,,,,,
17,1,,953KM0-00222,,WASHER,2,,,,,,,,,,,,,
18,1,,182900-68020,,BOLT,4,,,,,,,,,,,,,
19,1,,953KM0-00222,,WASHER,4,,,,,,,,,,,,,
20,1,,182901-23200,,BOSS,1,,,,,,,,,,,,,
21,1,,182901-31100,,PLUG,1,,,,,,,,,,,,,
22,1,,182900-68000,,BOLT,2,,,,,,,,,,,,,
23,1,,953KM0-00222,,WASHER,2,,,,,,,,,,,,,
24,1,,182900-16590,,CLIP,2,,,,,,,,,,,,,
25,1,,182901-38140,,HOSE,1,,,,,,,,,,,,,
26,1,,182901-38090,, "PLATE ASSY",1,,,,,,,,,,,,,
27,1,,182901-38100,,SHEET,1,,,,,,,,,,,,,
28,1,,182901-38110,,SHEET,1,,,,,,,,,,,,,
29,1,,182901-04310,,BOLT,2,,,,,,,,,,,,,
30,1,,953KM0-00222,,WASHER,2,,,,,,,,,,,,,
31,1,,182901-38170,,PLATE,1,,,,,,,,,,,,,
32,1,,182901-38160,,SHEET,1,,,,,,,,,,,,,
33,1,,182901-38970,,SHEET,1,,,,,,,,,,,,,
34,1,,182901-38610,,SHEET,1,,,,,,,,,,,,,

Fig. 8 ラジエータマウント RADIATOR MOUNT



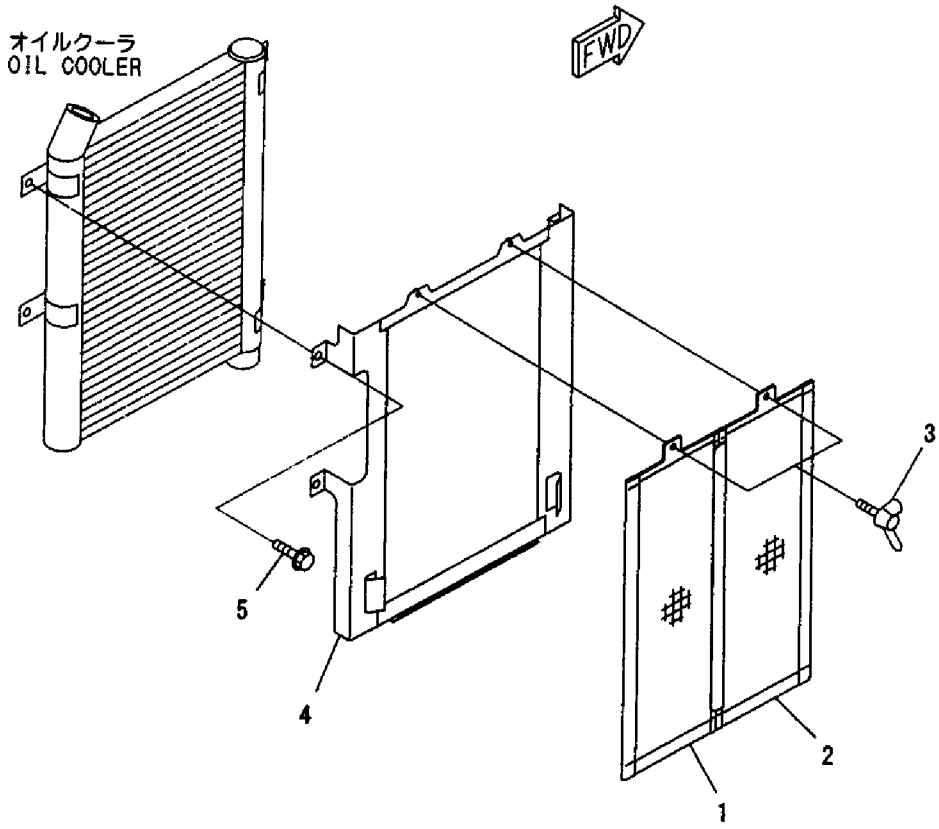
1,1,,182901-51600,,GUARD,1,,,,,,,,,,,,,,,,,,,,,

Fig. 9 ベルト & ファンガード
BELT & FAN GUARD



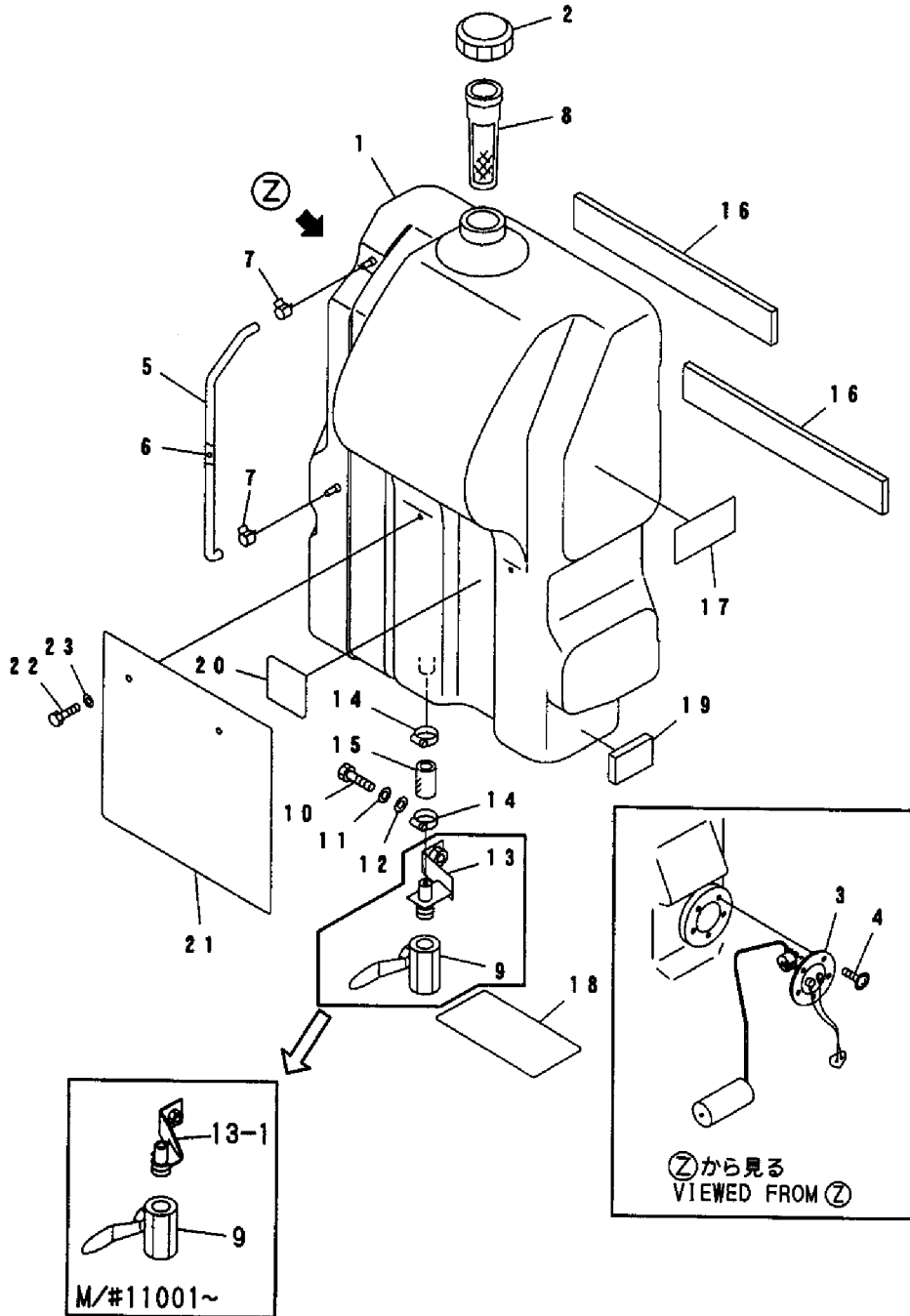
1,1,,182901-51540,,NET,1,,,,,,,,,,,,,
2,1,,182901-51550,,NET,1,,,,,,,,,,,,,
3,1,,182901-50180,, "WING BOLT",2,,,,,,,,,,,,,
3-1,1,,182901-50170,, "BOLT, WING",2,,,,,S,,*,M/#10524,,,,,,,,,I
4,1,,182901-51560,,BRACKET,1,,,,,,,,,,,,,
5,1,,953KM0-10776,,BOLT,4,,,,,,,,,,,,,

Fig. 10 ネット
NET



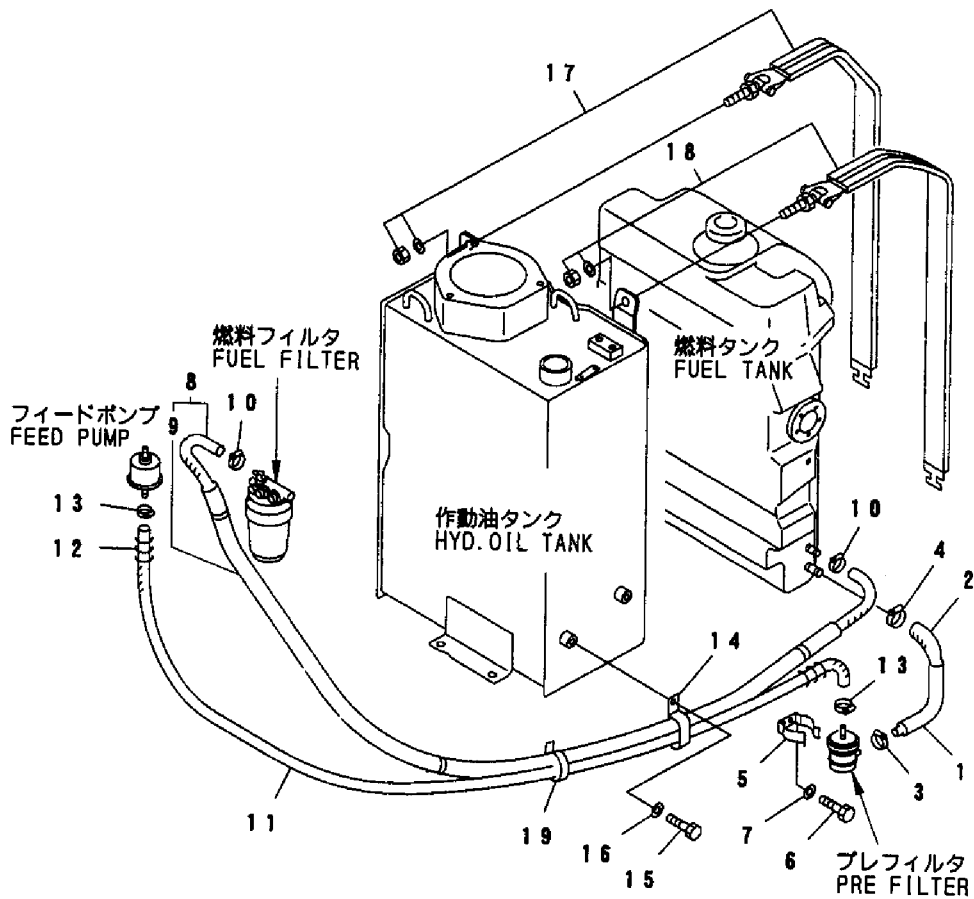
1,1,,182901-31520,,TANK,1,,,,,,,,,,,,,
2,1,,182901-23210,,,"CAP ASSY",1,,,,,,,,,,,,,
3,1,,182901-31580,,GAUGE,1,,,,,,,,,,,,,
4,1,,182901-19360,,SCREW,5,,,,,,,,,,,,,
5,1,,182901-31560,,GAUGE,1,,,,,,,,,,,,,
6,1,,182901-22700,,FLOAT,1,,,,,,,,,,,,,
7,1,,182900-44640,,CLIP,2,,,,,,,,,,,,,
8,1,,953KM0-00413,,STRAINER,1,,,,,,,,,,,,,
9,1,,182901-19640,,VALVE,1,,,,,,,,,,,,,
10,1,,182900-68010,,BOLT,1,,,,,,,,,,,,,
11,1,,953KM0-00222,,WASHER,1,,,,,,,,,,,,,
12,1,,953KM0-00224,,WASHER,1,,,,,,,,,,,,,
13,1,,182901-38290,,BRACKET,1,,,,,,,,,,,,,
13-1,1,,182901-51580,,BRACKET,1,,,,,N,,*,M/#11001,,,,,,,,,,,,,I
14,1,,953KM0-10952,,CLIP,2,,,,,,,,,,,,,
15,1,,182901-23220,,HOSE,1,,,,,,,,,,,,,
16,1,,182901-31530,,CUSHION,2,,,,,,,,,,,,,
17,1,,182901-31540,,CUSHION,1,,,,,,,,,,,,,
18,1,,182901-31550,,CUSHION,1,,,,,,,,,,,,,
19,1,,182901-38270,,CUSHION,1,,,,,,,,,,,,,
20,1,,182901-38280,,CUSHION,1,,,,,,,,,,,,,
21,1,,182901-38310,,SHEET,1,,,,,,,,,,,,,
22,1,,182900-82400,,BOLT,2,,,,,,,,,,,,,
23,1,,953KM0-03888,,WASHER,2,,,,,,,,,,,,,

Fig. 11 燃料タンク
FUEL TANK



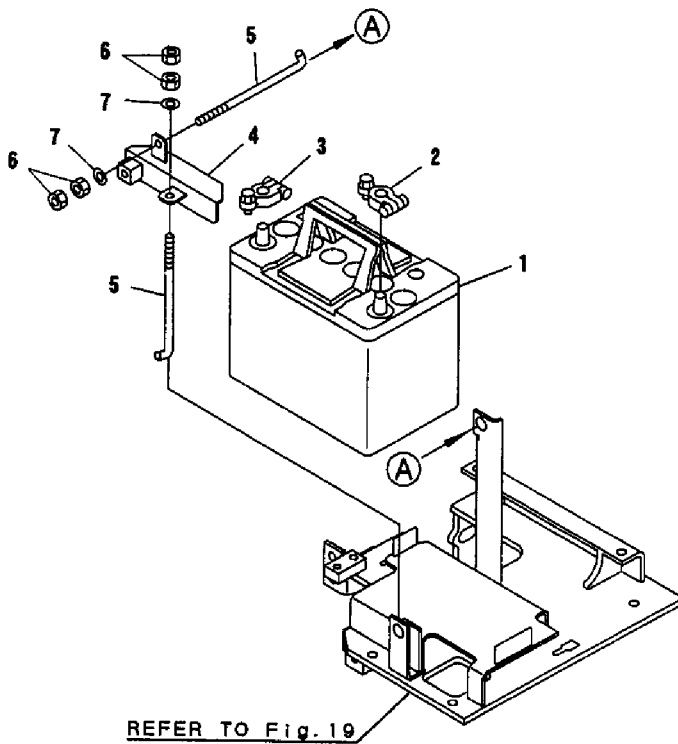
1,1,,182901-29880,,CONDUIT,1,,,,,,,,,,,,,
1-1,1,,182901-50280,,CONDUIT,1,,,,,,S,,*,M/#11001,,,,,,,,,,,,,I
2,1,,182901-38300,,HOSE,1,,,,,,,,,,,,,
3,1,,953KM0-03654,,CLIP,1,,,,,,,,,,,,,
4,1,,182900-34430,,CLIP,1,,,,,,,,,,,,,
5,1,,182901-05880,,CLAMP,1,,,,,,,,,,,,,
6,1,,182900-67980,,BOLT,1,,,,,,,,,,,,,
7,1,,953KM0-00221,,WASHER,1,,,,,,,,,,,,,
8,1,,182901-38210,,,"HOSE ASS'Y",1,,,,,,,,,,,,,
9,2,,182901-29870,,CONDUIT,1,,,,,,,,,,,,,
10,1,,953KM0-03654,,CLIP,2,,,,,,,,,,,,,
11,1,,182901-29840,,HOSE,1,,,,,,,,,,,,,
12,1,,182901-29860,,CONDUIT,1,,,,,,,,,,,,,
13,1,,953KM0-03654,,CLIP,2,,,,,,,,,,,,,
14,1,,182900-24620,,CLIP,3,,,,,,,,,,,,,
15,1,,182900-67990,,BOLT,3,,,,,,,,,,,,,
16,1,,953KM0-00222,,WASHER,3,,,,,,,,,,,,,
17,1,,182901-38230,,BAND,1,,,,,,Z,,*,M/#11000,,,,,,,,,,,,,I
18,1,,182901-38250,,BAND,1,,,,,,,,,,,,,
19,1,,953KM0-00551,,BAND,1,,,,,,,,,,,,,

Fig. 12 燃料パイプ
FUEL PIPE



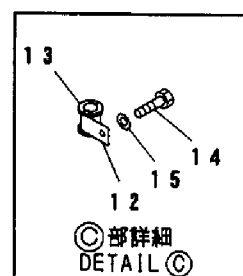
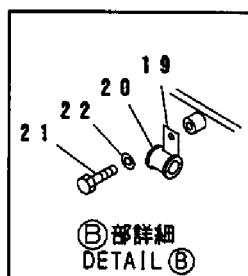
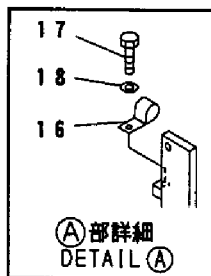
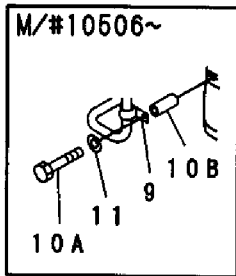
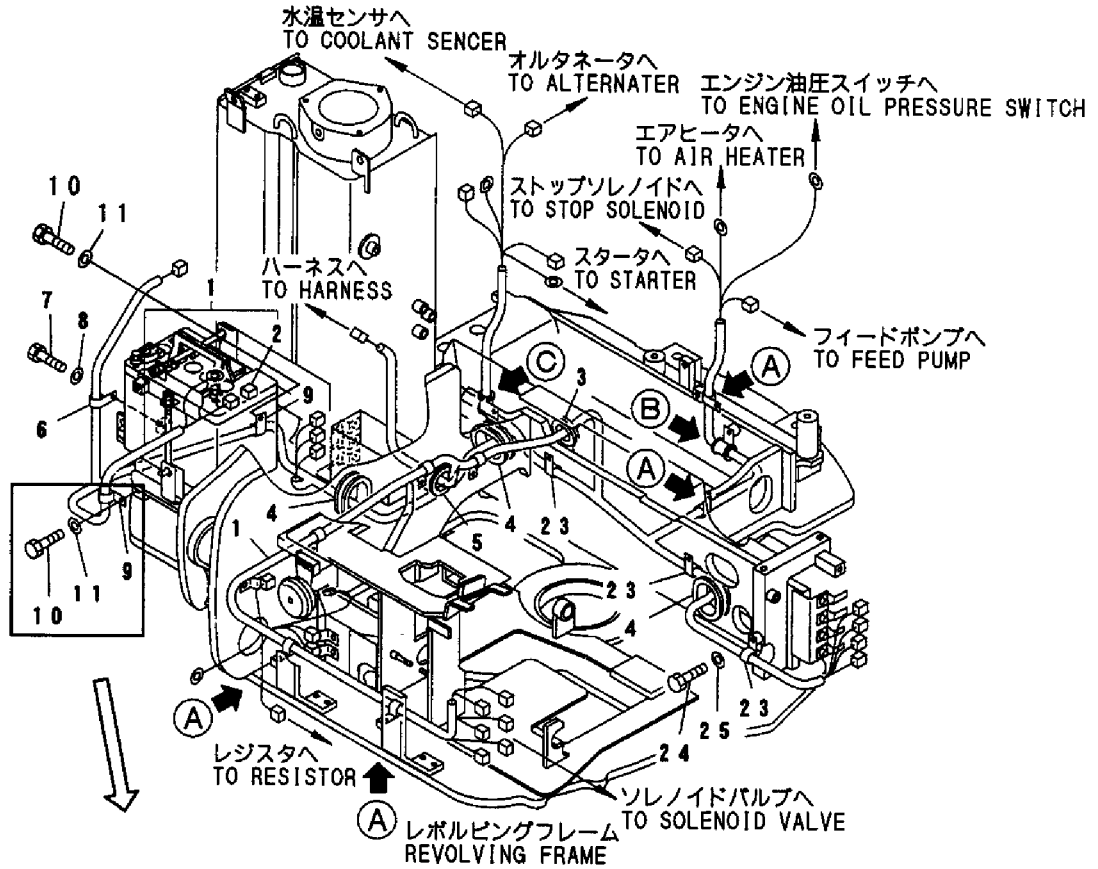
1,1,,182901-30290,,BATTERY,1,,,,,,,,,,,,,,,,,,,,,
2,1,,953KM0-00543,, "TERMINAL, (+)",1,,,,,,,,,,,,,,,,,,,,,
3,1,,953KM0-00544,, "TERMINAL, (-)",1,,,,,,,,,,,,,,,,,,,,,
4,1,,182901-32430,,BRACKET,1,,,,,,,,,,,,,,,,,,,,,
5,1,,182901-31570,,ROD,2,,,,,,,,,,,,,,,,,,,,,
6,1,,953KM0-00179,,NUT,4,,,,,,,,,,,,,,,,,,,,,
7,1,,953KM0-00220,,WASHER,2,,,,,,,,,,,,,,,,,,,,,

Fig. 13 バッテリ
BATTERY



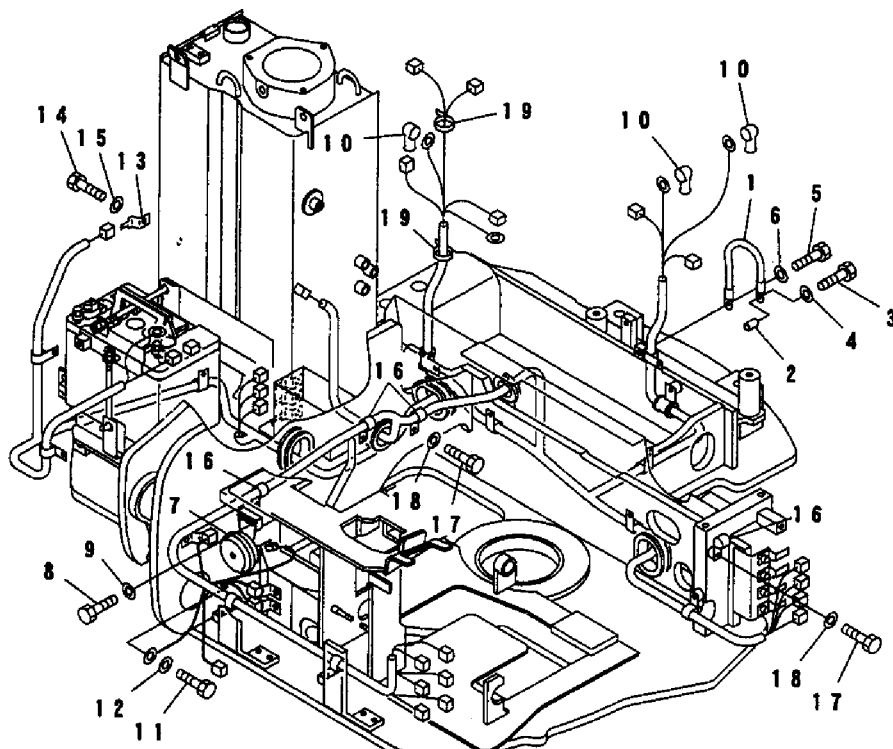
1,1,,182901-32180,, "WIRING HARNESS",1,,,,,,,,,,,,,,,,,,,,,
1-1,1,,182901-50550,, "WIRING HARNESS",1,,,,,,S,,*,M/#10506,,,,,,,,,,,,,I
1-2,1,,182901-50560,, "WIRING HARNESS",1,,,,,,S,,*,M/#10539,,,,,,,,,,,,,I
2,2,,182901-23090,, "FUSIBLE LINK",1,,,,,,,,,,,,,,,,,,,,,
3,1,,182901-40610,, GROMMET,1,,,,,,Z,,*,M/#10506,,,,,,,,,,,,,I
4,1,,182901-30880,, GROMMET,3,,,,,,,,,,,,,,,,,,,,,
5,1,,182901-31090,, GROMMET,1,,,,,,,,,,,,,,,,,,,,,
6,1,,182901-29500,, CLIP,1,,,,,,,,,,,,,,,,,,,,,
7,1,,182900-68000,, BOLT,1,,,,,,,,,,,,,,,,,,,,,
8,1,,953KM0-00222,, WASHER,1,,,,,,,,,,,,,,,,,,,,,
9,1,,182901-29520,, CLIP,2,,,,,,,,,,,,,,,,,,,,,
10,1,,182900-68000,, BOLT,2,,,,,,,,,,,,,,,,,,,,,
10-1,1,,182900-68000,, BOLT,1,,,,,,K,,*,M/#10506,,,,,,,,,,,,,I
10A,1,,182900-68050,, BOLT,1,,,,,,W,,*,M/#10506,,,,,,,,,,,,,I
10B,1,,182901-50910,, SPACER,1,,,,,,W,,*,M/#10506,,,,,,,,,,,,,I
11,1,,953KM0-00222,, WASHER,2,,,,,,,,,,,,,,,,,,,,,
12,1,,182900-10970,, CLIP,1,,,,,,,,,,,,,,,,,,,,,
13,1,,182901-29680,, CUSHION,1,,,,,,,,,,,,,,,,,,,,,
14,1,,182900-68000,, BOLT,1,,,,,,,,,,,,,,,,,,,,,
15,1,,953KM0-00222,, WASHER,1,,,,,,,,,,,,,,,,,,,,,
16,1,,182900-14140,, CLIP,4,,,,,,,,,,,,,,,,,,,,,
17,1,,182900-68000,, BOLT,4,,,,,,,,,,,,,,,,,,,,,
18,1,,953KM0-00222,, WASHER,4,,,,,,,,,,,,,,,,,,,,,
19,1,,182900-10970,, CLIP,1,,,,,,,,,,,,,,,,,,,,,
20,1,,182901-29680,, CUSHION,1,,,,,,,,,,,,,,,,,,,,,
21,1,,182900-68000,, BOLT,1,,,,,,,,,,,,,,,,,,,,,
22,1,,953KM0-00222,, WASHER,1,,,,,,,,,,,,,,,,,,,,,
23,1,,182901-29550,, CLIP,3,,,,,,,,,,,,,,,,,,,,,
24,1,,182900-68000,, BOLT,3,,,,,,,,,,,,,,,,,,,,,
25,1,,953KM0-00222,, WASHER,3,,,,,,,,,,,,,,,,,,,,,

Fig. 14 電装品 (1) ELECTRIC PART (1)



1,1,,182901-29920,,CABLE,1,,,,,,,,,,,,,
1-1,1,,182901-50340,,CABLE,1,,,,,,S,*M/#11001,,,,,,,,,,,,,I
2,1,,182900-34730,,SPACER,1,,,,,,,,,,,,,
3,1,,182900-68020,,BOLT,1,,,,,,,,,,,,,
4,1,,953KM0-00222,,WASHER,1,,,,,,,,,,,,,
5,1,,182900-68000,,BOLT,1,,,,,,,,,,,,,
6,1,,953KM0-00222,,WASHER,1,,,,,,,,,,,,,
7,1,,182900-25030,,HORN,1,,,,,,,,,,,,,
8,1,,182900-67980,,BOLT,2,,,,,,,,,,,,,
9,1,,953KM0-00221,,WASHER,2,,,,,,,,,,,,,
10,1,,182900-24990,,CAP,3,,,,,,,,,,,,,
11,1,,182900-68000,,BOLT,1,,,,,,,,,,,,,
12,1,,953KM0-00222,,WASHER,1,,,,,,,,,,,,,
13,1,,953KM0-03626,,CLIP,1,,,,,,,,,,,,,
14,1,,182900-68000,,BOLT,1,,,,,,,,,,,,,
15,1,,953KM0-00222,,WASHER,1,,,,,,,,,,,,,
16,1,,182900-34000,,CLIP,4,,,,,,,,,,,,,
17,1,,182900-68000,,BOLT,4,,,,,,,,,,,,,
18,1,,953KM0-00222,,WASHER,4,,,,,,,,,,,,,
19,1,,953KM0-00550,,BAND,2,,,,,,,,,,,,,

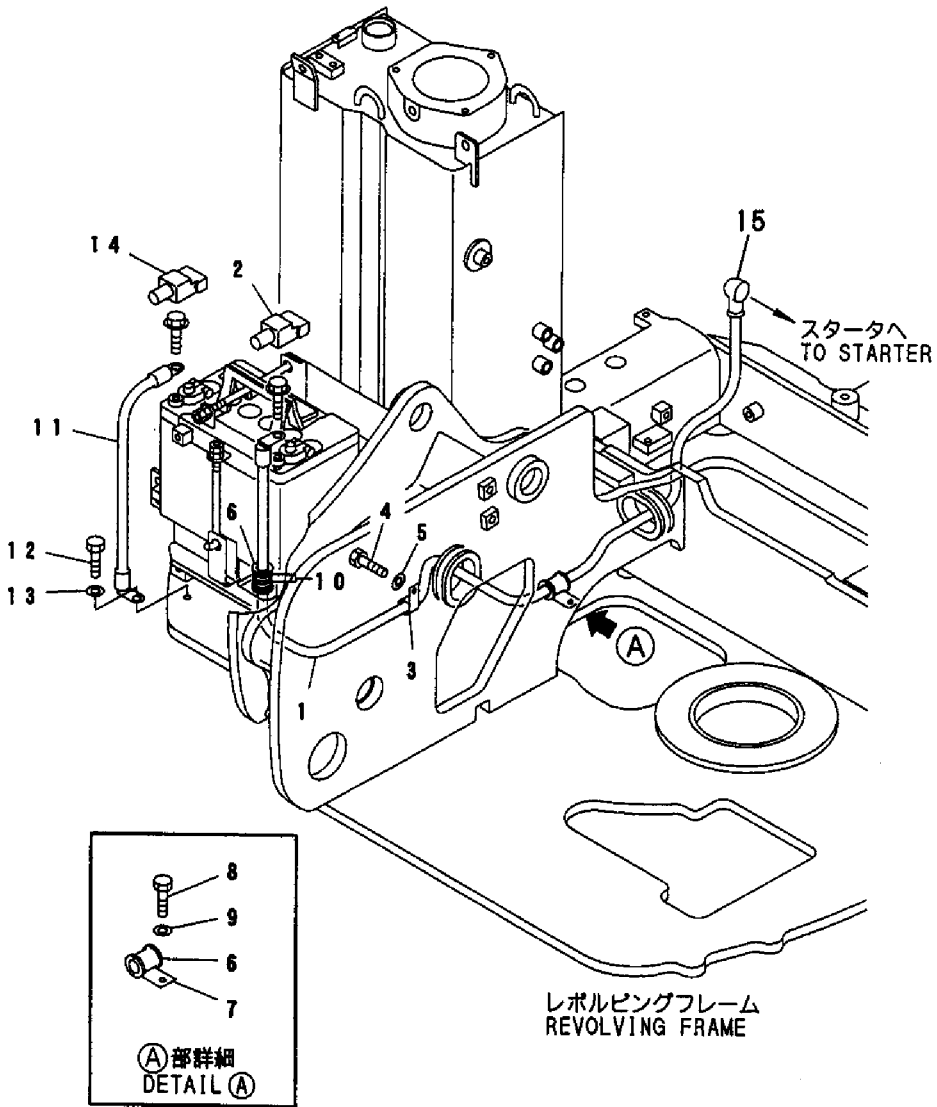
Fig. 15 電装品 (2) ELECTRIC PART (2)



レボルピングフレーム
REVOLVING FRAME

1,1,,182901-32190,,CABLE,1,,,,,,,,,,,,,
1-1,1,,182901-50570,,CABLE,1,,,,,,S,,*,M/#11001,,,,,,,,,,,,,I
2,1,,182900-53960,,CAP,1,,,,,,,,,,,,,
3,1,,182900-14140,,CLIP,1,,,,,,,,,,,,,
3-1,1,,182900-33990,,CLIP,1,,,,,,S,,*,M/#11001,,,,,,,,,,,,,I
4,1,,182900-68000,,BOLT,1,,,,,,,,,,,,,
5,1,,953KM0-00222,,WASHER,1,,,,,,,,,,,,,
6,1,,182901-29680,,CUSHION,2,,,,,,,,,,,,,
6-1,1,,182901-50200,,CUSHION,2,,,,,,S,,*,M/#11001,,,,,,,,,,,,,I
7,1,,182900-10970,,CLIP,1,,,,,,,,,,,,,
8,1,,182900-68000,,BOLT,1,,,,,,,,,,,,,
9,1,,953KM0-00222,,WASHER,1,,,,,,,,,,,,,
10,1,,953KM0-00550,,BAND,2,,,,,,,,,,,,,
11,1,,182901-32440,,CABLE,1,,,,,,,,,,,,,
11-1,1,,182901-50600,,CABLE,1,,,,,,S,,*,M/#11001,,,,,,,,,,,,,I
12,1,,182900-68000,,BOLT,1,,,,,,,,,,,,,
13,1,,953KM0-00222,,WASHER,1,,,,,,,,,,,,,
14,1,,953KM0-00568,,CAP,1,,,,,,,,,,,,,
15,1,,182900-07640,,CAP,1,,,,,,W,,*,M/#11001,,,,,,,,,,,,,I

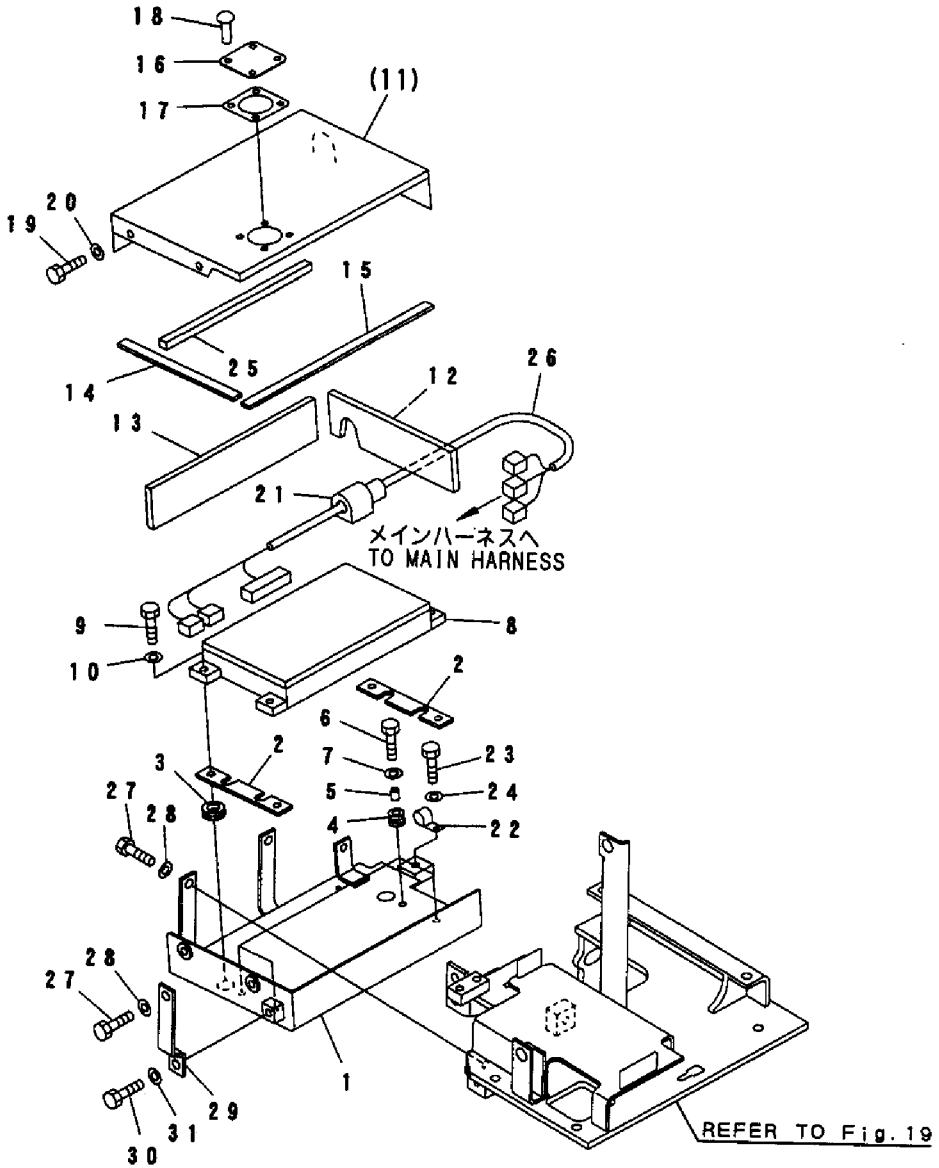
Fig. 16 バッテリケーブル BATTERY CABLE



1,1,,182901-32240,,BRACKET,1,,,,,,,,,,,,,
2,1,,182901-32460,,PLATE,2,,,,,,,,,,,,,
3,1,,953KM0-00601,,CAP,4,,,,,,,,,,,,,
4,1,,182901-23040,,CUSHION,4,,,,,,,,,,,,,
5,1,,182901-23050,,COLLAR,4,,,,,,,,,,,,,
6,1,,182900-82440,,BOLT,4,,,,,,,,,,,,,
7,1,,953KM0-00221,,WASHER,4,,,,,,,,,,,,,
8,1,,182901-42300,,CONTROLLER,1,,,,,,,,,,,,,
9,1,,182900-64840,,BOLT,4,,,,,,,,,,,,,
10,1,,953KM0-00221,,WASHER,4,,,,,,,,,,,,,
11,1,,182901-32230,, "COVER ASS'Y",1,,,,,,,,,,,,,
12,2,,182901-32270,,SHEET,1,,,,,,,,,,,,,
13,2,,182901-32340,,SHEET,1,,,,,,,,,,,,,
14,2,,182901-32360,,SHEET,1,,,,,,,,,,,,,
15,2,,182901-32370,,SHEET,1,,,,,,,,,,,,,
16,2,,182901-32290,,PLATE,1,,,,,,,,,,,,,
17,2,,182901-32300,,GASKET,1,,,,,,,,,,,,,
18,2,,182901-30140,,BUTTON,4,,,,,,,,,,,,,
19,1,,182900-67980,,BOLT,3,,,,,,,,,,,,,
20,1,,953KM0-00221,,WASHER,3,,,,,,,,,,,,,
21,1,,182901-32280,,GROMMET,1,,,,,,,,,,,,,
22,1,,182900-14140,,CLIP,1,,,,,,,,,,,,,
23,1,,182900-68000,,BOLT,1,,,,,,,,,,,,,
24,1,,953KM0-00222,,WASHER,1,,,,,,,,,,,,,
25,1,,182901-32500,,SHEET,1,,,,,,,,,,,,,
26,1,,182901-32450,, "WIRING HARNESS",1,,,,,,,,,,,,,
27,1,,182900-64860,,BOLT,3,,,,,,,,,,,,,
28,1,,953KM0-00222,,WASHER,3,,,,,,,,,,,,,
29,1,,182901-32320,,PLATE,1,,,,,,,,,,,,,
30,1,,182900-68000,,BOLT,1,,,,,,,,,,,,,
31,1,,953KM0-00222,,WASHER,1,,,,,,,,,,,,,

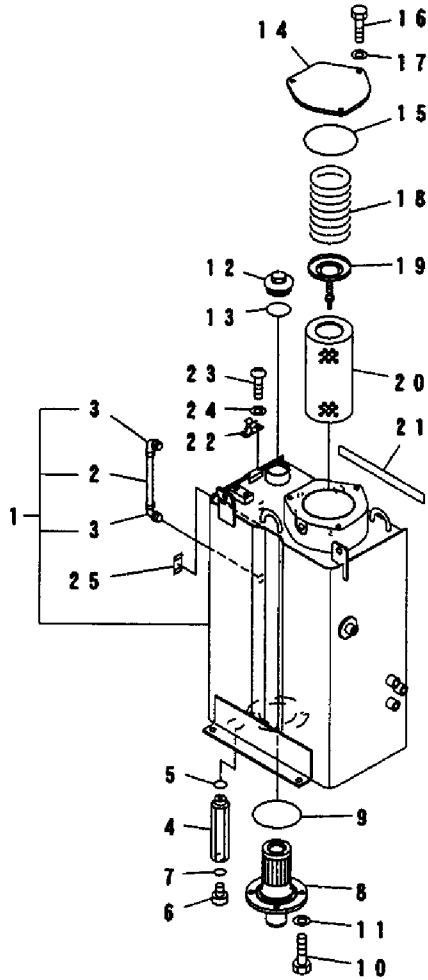
Fig. 17 安全装置 (電装品)
SAFETY EQUIP. (ELECTRIC PART)

見出しNo. 11は、
見出しNo. (11) から18を含みます。
11 inc. (11) ~ 18



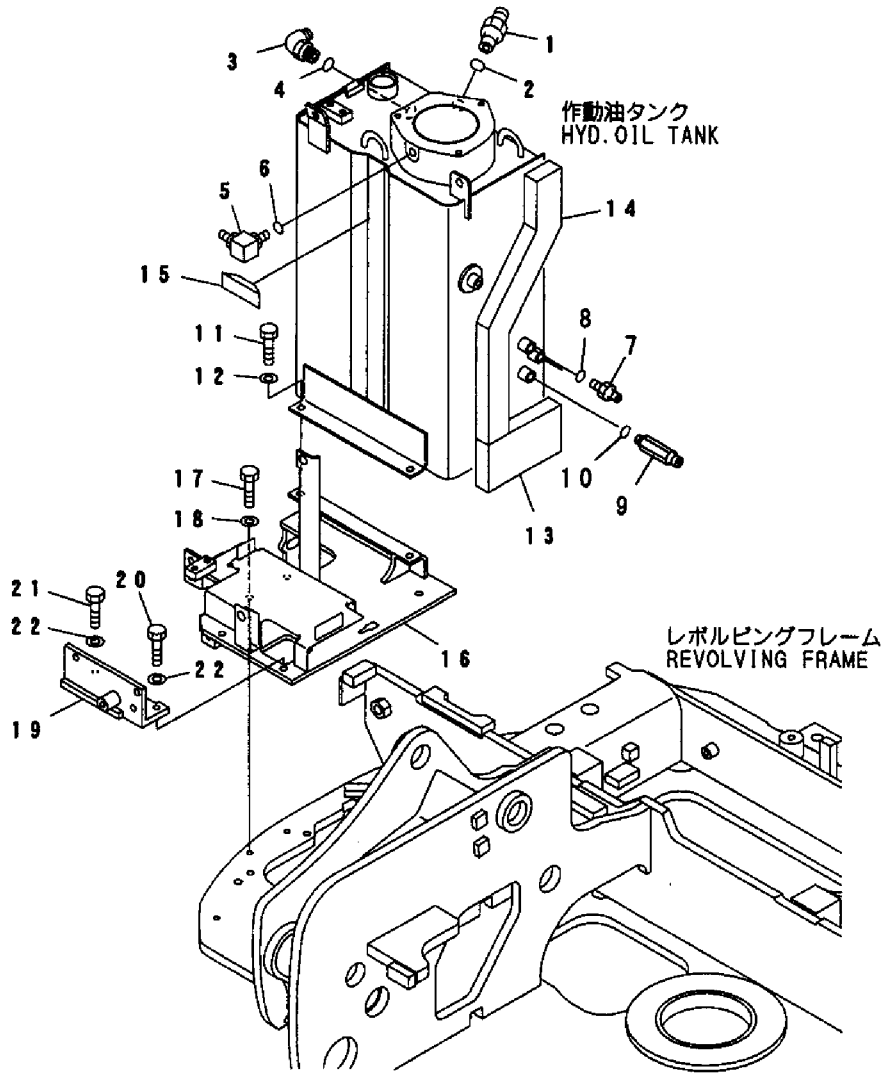
1,1,,182901-38940,, "TANK ASS'Y",1,,,,,,,,,,,,,
2,2,,182900-85540,, TUBE,1,,,,,,,,,,,,,
3,2,,182900-86240,, "ELBOW ASS'Y",1,,,,,,,,,,,,,
4,1,,182901-31040,, JOINT,1,,,,,,,,,,,,,
5,1,,953KM0-00390,, O-RING,1,,,,,,,,,,,,,
6,1,,953KM0-00402,, PLUG,1,,,,,,,,,,,,,
7,1,,953KM0-00389,, O-RING,1,,,,,,,,,,,,,
8,1,,182901-23510,, FILTER,1,,,,,,,,,,,,,
9,1,,24321-000850,, "O-RING 1A G-85.0",1,,,,,,,,,,,,,
10,1,,182900-64860,, BOLT,4,,,,,,,,,,,,,
11,1,,953KM0-00222,, WASHER,4,,,,,,,,,,,,,
12,1,,182900-26460,, PLUG,1,,,,,,,,,,,,,
12-1,1,,182901-17920,, PLUG,1,,,,,S,*M/#10509,,,,,I
13,1,,182901-25360,, O-RING,1,,,,,,,,,,,,,
14,1,,182900-41710,, COVER,1,,,,,,,,,,,,,
15,1,,24321-001350,, "O-RING 1A G-135.0",1,,,,,,,,,,,,,
16,1,,182900-64860,, BOLT,3,,,,,,,,,,,,,
17,1,,953KM0-00222,, WASHER,3,,,,,,,,,,,,,
18,1,,182900-27170,, SPRING,1,,,,,,,,,,,,,
19,1,,182900-27250,, "VALVE ASS'Y",1,,,,,,,,,,,,,
20,1,,182900-23280,, ELEMENT,1,,,,,,,,,,,,,
21,1,,182901-38960,, SHEET,1,,,,,,,,,,,,,
22,1,,953KM0-03939,, SPRING,1,,,,,,,,,,,,,
23,1,,953KM0-00150,, SCREW,2,,,,,,,,,,,,,
24,1,,182900-14080,, WASHER,2,,,,,,,,,,,,,
25,1,,182900-86080,, "PLATE, INSTRUCTION",1,,,,,,,,,,,,,

Fig. 18 作動油タンク
HYD. OIL TANK



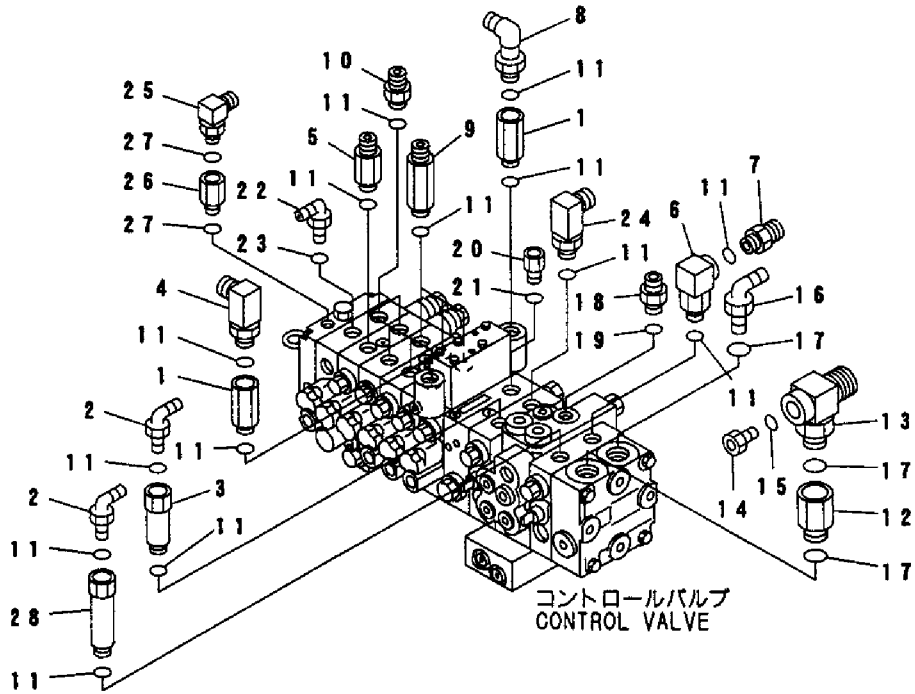
1,1,,182901-40650,,UNION,1,,,,,,,,,,,,,
2,1,,953KM0-00390,,O-RING,1,,,,,,,,,,,,,
3,1,,953KM0-00484,,ELBOW,1,,,,,,,,,,,,,
4,1,,953KM0-00390,,O-RING,1,,,,,,,,,,,,,
5,1,,182900-27230,,ELBOW,1,,,,,,,,,,,,,
6,1,,953KM0-00388,,O-RING,1,,,,,,,,,,,,,
7,1,,182901-30210,,NIPPLE,2,,,,,,,,,,,,,
8,1,,953KM0-00388,,O-RING,2,,,,,,,,,,,,,
9,1,,182901-31340,,NIPPLE,1,,,,,,,,,,,,,
9-1,1,,182901-06760,,NIPPLE,1,,,,,,S,,*,M/#11001,,,,,,,,,,,,,I
10,1,,953KM0-00388,,O-RING,1,,,,,,,,,,,,,
11,1,,182900-64860,,BOLT,4,,,,,,,,,,,,,
12,1,,953KM0-00222,,WASHER,4,,,,,,,,,,,,,
13,1,,182901-33970,,SHEET,1,,,,,,,,,,,,,
14,1,,182901-33980,,SHEET,1,,,,,,,,,,,,,
15,1,,182901-34950,,SHEET,1,,,,,,,,,,,,,
15-1,1,,182901-34950,,SHEET,2,,,,,,K,,*,M/#10506,,,,,,,,,,,,,I
16,1,,182901-32200,,BRACKET,1,,,,,,,,,,,,,
17,1,,182900-64860,,BOLT,3,,,,,,,,,,,,,
18,1,,953KM0-00222,,WASHER,3,,,,,,,,,,,,,
19,1,,182901-32410,,BRACKET,1,,,,,,,,,,,,,
19-1,1,,182901-50590,,BRACKET,1,,,,,,S,,*,M/#11001,,,,,,,,,,,,,I
20,1,,182900-68020,,BOLT,1,,,,,,,,,,,,,
21,1,,182900-64870,,BOLT,1,,,,,,,,,,,,,
22,1,,953KM0-00222,,WASHER,2,,,,,,,,,,,,,

Fig. 19 作動油タンクマウント
HYD. OIL TANK MOUNT



1,1,,182901-30910,,JOINT,2,,,,,,,,,,,,,,,,,,,,,
2,1,,182901-29740,,ELBOW,2,,,,,,,,,,,,,,,,,,,,,
3,1,,182901-31050,,JOINT,1,,,,,,,,,,,,,,,,,,,,,
4,1,,182900-25450,,ELBOW,1,,,,,,,,,,,,,,,,,,,,,
5,1,,182900-29620,,NIPPLE,5,,,,,,,,,,,,,,,,,,,,,
6,1,,182901-35370,,ELBOW,1,,,,,,,,,,,,,,,,,,,,,
7,1,,182900-35590,,UNION,1,,,,,,,,,,,,,,,,,,,,,
8,1,,953KM0-01137,,ELBOW,1,,,,,,,,,,,,,,,,,,,,,
9,1,,182900-26510,,UNION,3,,,,,,,,,,,,,,,,,,,,,
10,1,,953KM0-01221,,UNION,1,,,,,,,,,,,,,,,,,,,,,
11,1,,953KM0-00051,,O-RING,20,,,,,,,,,,,,,,,,,,,,,
12,1,,182901-35070,,JOINT,1,,,,,,,,,,,,,,,,,,,,,
13,1,,182901-39450,,ELBOW,1,,,,,,,,,,,,,,,,,,,,,
14,1,,953KM0-00401,,PLUG,1,,,,,,,,,,,,,,,,,,,,,
15,1,,953KM0-00051,,O-RING,1,,,,,,,,,,,,,,,,,,,,,
16,1,,953KM0-00484,,ELBOW,1,,,,,,,,,,,,,,,,,,,,,
17,1,,953KM0-00390,,O-RING,3,,,,,,,,,,,,,,,,,,,,,
18,1,,182901-30260,,UNION,1,,,,,,,,,,,,,,,,,,,,,
19,1,,953KM0-00388,,O-RING,1,,,,,,,,,,,,,,,,,,,,,
20,1,,182901-35970,,UNION,1,,,,,,,,,,,,,,,,,,,,,
21,1,,953KM0-00051,,O-RING,1,,,,,,,,,,,,,,,,,,,,,
22,1,,182901-40480,,ELBOW,1,,,,,,,,,,,,,,,,,,,,,
23,1,,953KM0-00051,,O-RING,1,,,,,,,,,,,,,,,,,,,,,
24,1,,182901-35740,,ELBOW,1,,,,,,,,,,,,,,,,,,,,,
25,1,,182900-27230,,ELBOW,1,,,,,,,,,,,,,,,,,,,,,
26,1,,182901-31270,,ADAPTER,1,,,,,,,,,,,,,,,,,,,,,
27,1,,953KM0-00388,,O-RING,2,,,,,,,,,,,,,,,,,,,,,
28,1,,182901-40630,,NIPPLE,1,,,,,,,,,,,,,,,,,,,,,

Fig. 20 フィッティング (コントロールバルブ)
 FITTING (CONTROL VALVE)

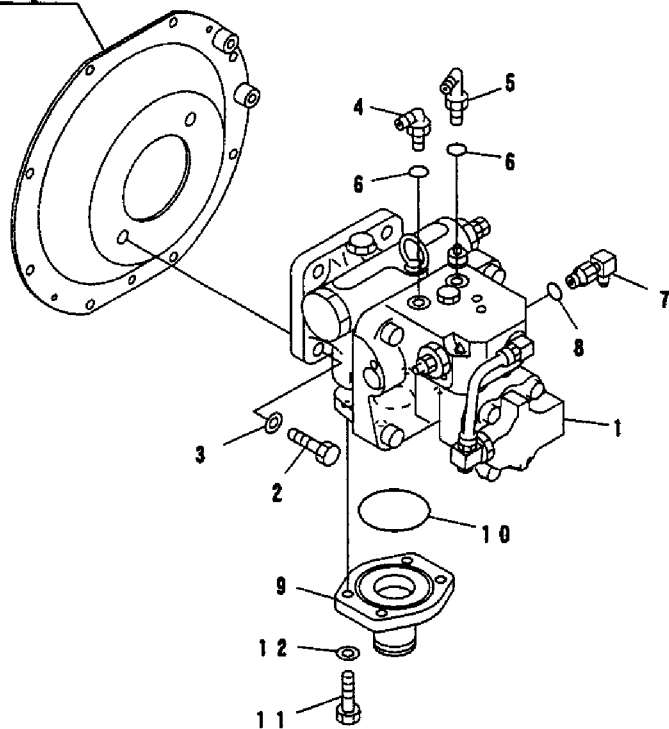


1,1,,182901-41210,, "PUMP ASS'Y",1,,,,,,,,,1,,,,,,,,,
2,1,,182900-77310,, BOLT,2,,,,,,,,,
3,1,,953KM0-00048,, WASHER,2,,,,,,,,,
4,1,,182900-14320,, ELBOW,1,,,,,,,,,
5,1,,182901-29750,, ELBOW,1,,,,,,,,,
6,1,,953KM0-00389,, O-RING,2,,,,,,,,,
7,1,,182901-31170,, ELBOW,1,,,,,,,,,
8,1,,953KM0-00388,, O-RING,1,,,,,,,,,
9,1,,182901-39180,, TUBE,1,,,,,,,,,
10,1,,24321-000750,, "O-RING 1A G-75.0",1,,,,,,,,,
11,1,,182900-83410,, BOLT,4,,,,,,,,,
12,1,,953KM0-00225,, WASHER,4,,,,,,,,,

Fig. 21 マウント & フィッティング (油圧ポンプ, 旧形) MOUNT & FITTING (HYD. OIL PUMP, PREVIOUS)

~M/#11000

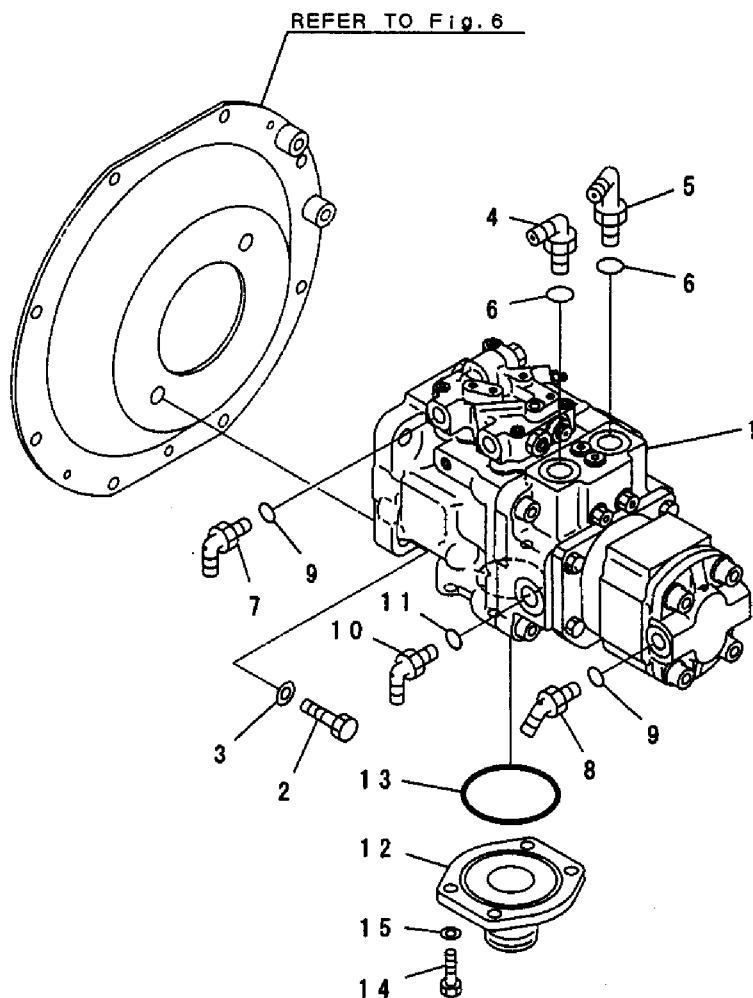
REFER TO Fig. 6



1,1,,182901-51780,, "PUMP ASS'Y",1,,,,,,,,,,,,,
2,1,,182900-77310,, BOLT,2,,,,,,,,,,,,,
3,1,,953KM0-00048,, WASHER,2,,,,,,,,,,,,,
4,1,,182900-14320,, ELBOW,1,,,,,,,,,,,,,
5,1,,182901-29750,, ELBOW,1,,,,,,,,,,,,,
6,1,,953KM0-00389,, O-RING,2,,,,,,,,,,,,,
7,1,,182901-50250,, JOINT,1,,,,,,,,,,,,,
8,1,,182900-11700,, ELBOW,1,,,,,,,,,,,,,
9,1,,953KM0-00388,, O-RING,2,,,,,,,,,,,,,
10,1,,182901-50260,, ELBOW,1,,,,,,,,,,,,,
11,1,,953KM0-00051,, O-RING,1,,,,,,,,,,,,,
12,1,,182901-50470,, TUBE,1,,,,,,,,,,,,,
13,1,,24321-000750,, "O-RING 1A G-75.0",1,,,,,,,,,,,,,
14,1,,182900-68010,, BOLT,4,,,,,,,,,,,,,
15,1,,953KM0-00225,, WASHER,4,,,,,,,,,,,,,

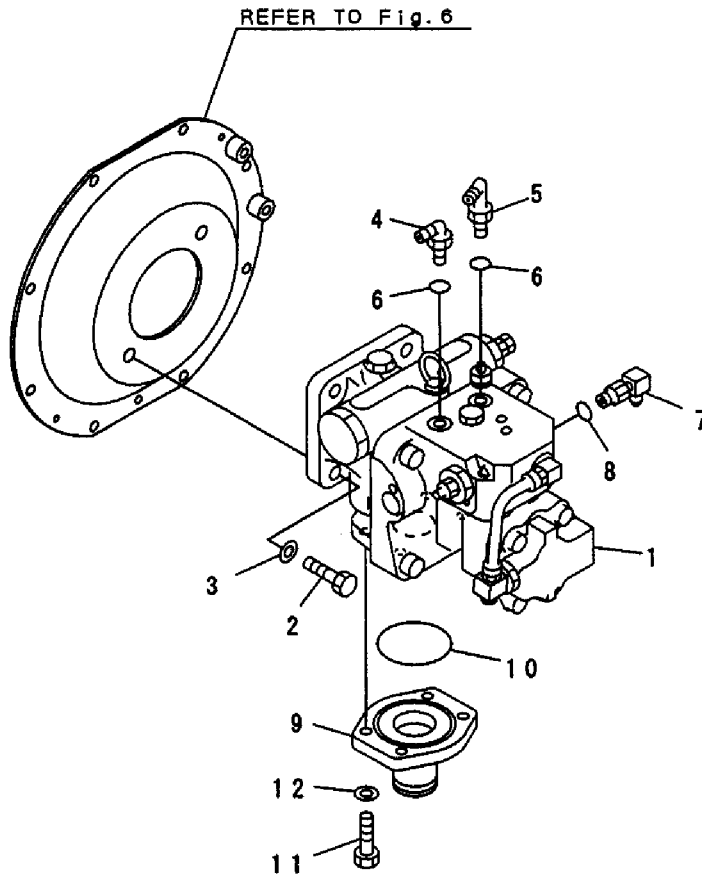
Fig. 22 マウント&フィッティング (油圧ポンプ, 新形) MOUNT & FITTING (HYD. OIL PUMP, NEW)

M/#11001~



1,1,,182901-51770,, "PUMP ASS'Y",1,,,,,,,,,,,,,,,,,,,,,
2,1,,182900-77310,, BOLT,2,,,,,,,,,,,,,,,,,,,,,
3,1,,953KM0-00048,, WASHER,2,,,,,,,,,,,,,,,,,,,,,
4,1,,182900-14320,, ELBOW,1,,,,,,,,,,,,,,,,,,,,,
5,1,,182901-29750,, ELBOW,1,,,,,,,,,,,,,,,,,,,,,
6,1,,953KM0-00389,, O-RING,2,,,,,,,,,,,,,,,,,,,,,
7,1,,182901-31170,, ELBOW,1,,,,,,,,,,,,,,,,,,,,,
8,1,,953KM0-00388,, O-RING,1,,,,,,,,,,,,,,,,,,,,,
9,1,,182901-39180,, TUBE,1,,,,,,,,,,,,,,,,,,,,,
10,1,,24321-000750,, "O-RING 1A G-75.0",1,,,,,,,,,,,,,,,,,,,,,
11,1,,182900-83410,, BOLT,4,,,,,,,,,,,,,,,,,,,,,
12,1,,953KM0-00225,, WASHER,4,,,,,,,,,,,,,,,,,,,,,

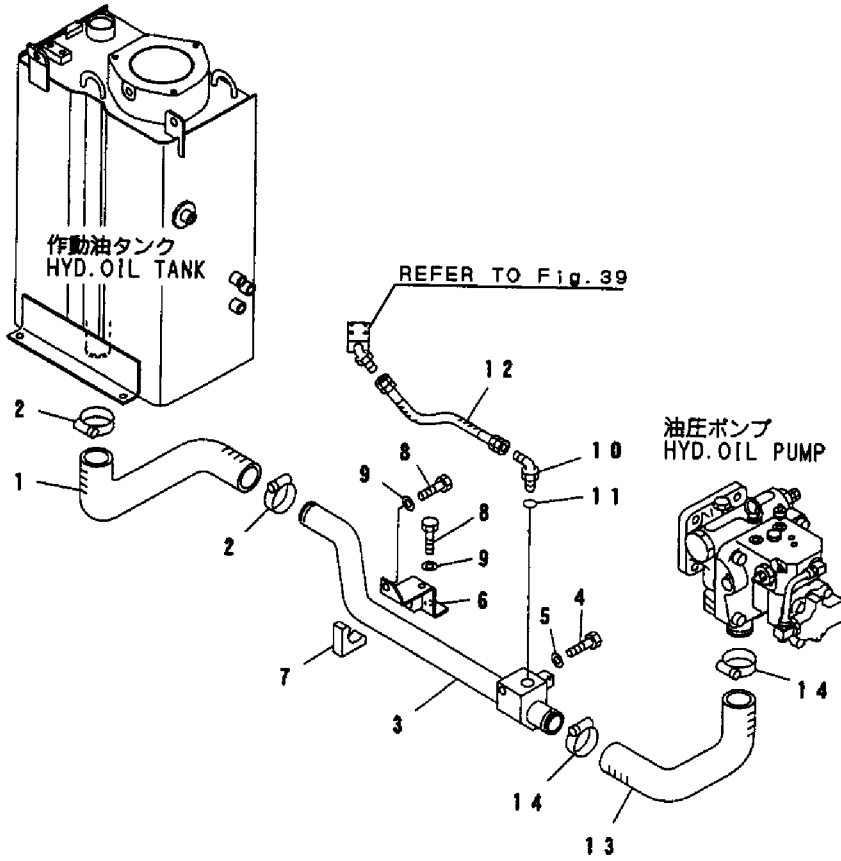
Fig. 23 マウント&フィッティング (油圧ポンプ, キャビン)
MOUNT & FITTING (HYD. OIL PUMP, CABIN)



1,1,,182901-39050,,HOSE,1,,,,,,,,,,,,,
2,1,,182900-83370,,CLAMP,2,,,,,,,,,,,,,
3,1,,182901-39030,,TUBE,1,,,,,,,,,,,,,
4,1,,182900-74850,,BOLT,1,,,,,,,,,,,,,
5,1,,953KM0-00048,,WASHER,1,,,,,,,,,,,,,
6,1,,182901-39160,,BRACKET,1,,,,,,,,,,,,,
7,1,,182901-39150,,CUSHION,1,,,,,,,,,,,,,
8,1,,182900-64350,,BOLT,2,,,,,,,,,,,,,
9,1,,953KM0-00048,,WASHER,2,,,,,,,,,,,,,
10,1,,953KM0-00483,,ELBOW,1,,,,,,,,,,,,,
11,1,,953KM0-00389,,O-RING,1,,,,,,,,,,,,,
12,1,,182901-35870,,,"HOSE ASS'Y",1,,,,,,,,,,,,,
13,1,,182901-39110,,HOSE,1,,,,,,,,,,,,,
14,1,,182900-83370,,CLAMP,2,,,,,,,,,,,,,

Fig. **24** 油圧配管 (サクシオン, 旧形)
HYD. OIL PIPING (SUCTION, PREVIOUS)

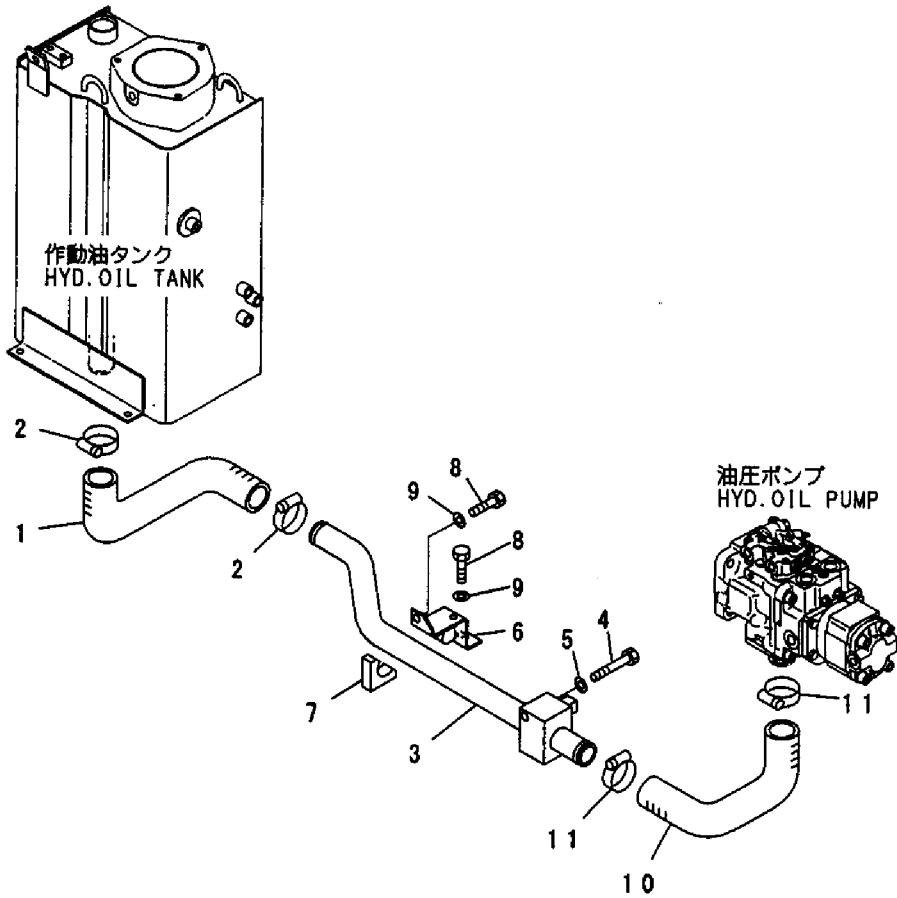
~M/#11000



1,1,,182901-39050,,HOSE,1,,,,,,,,,,,,,
2,1,,182900-83370,,CLAMP,2,,,,,,,,,,,,,
3,1,,182901-51620,,TUBE,1,,,,,,,,,,,,,
4,1,,182900-74850,,BOLT,1,,,,,,,,,,,,,
5,1,,953KM0-00048,,WASHER,1,,,,,,,,,,,,,
6,1,,182901-39160,,BRACKET,1,,,,,,,,,,,,,
7,1,,182901-39150,,CUSHION,1,,,,,,,,,,,,,
8,1,,182900-64350,,BOLT,2,,,,,,,,,,,,,
9,1,,953KM0-00048,,WASHER,2,,,,,,,,,,,,,
10,1,,182901-51640,,HOSE,1,,,,,,,,,,,,,
11,1,,182900-83370,,CLAMP,2,,,,,,,,,,,,,

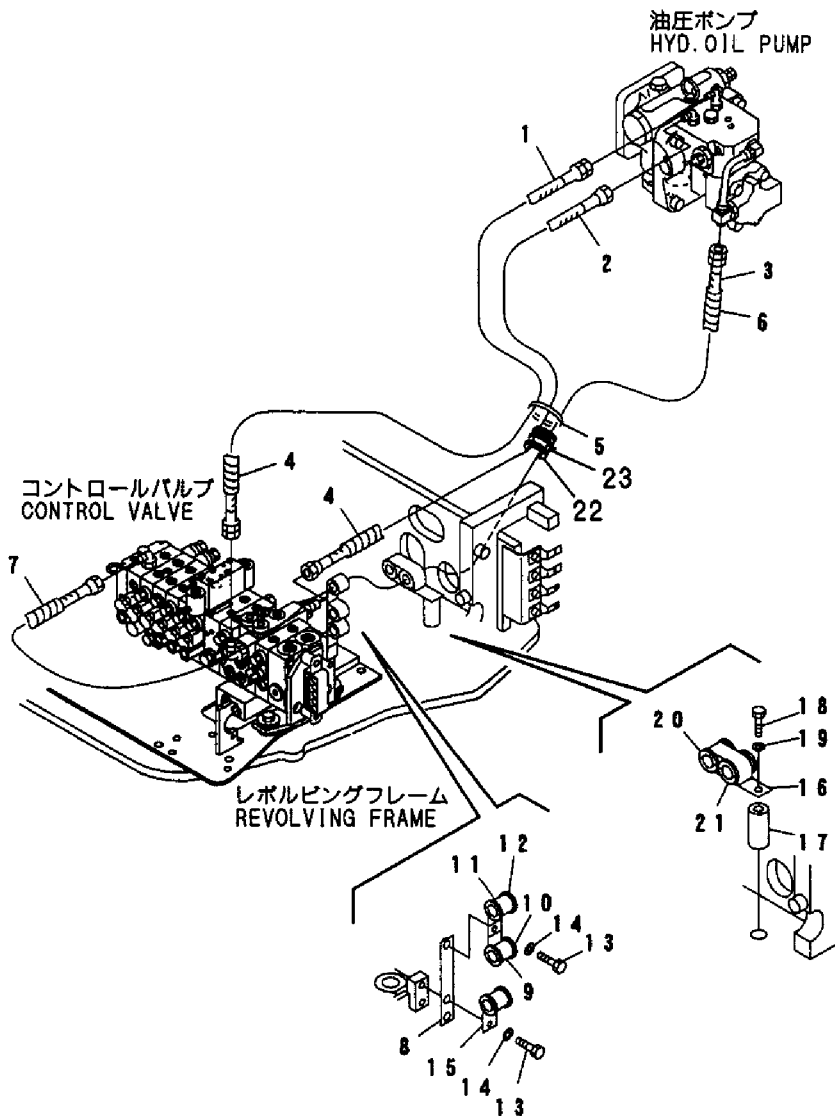
Fig. 25 油圧配管 (サクシオン, 新形) HYD. OIL PIPING (SUCTION, NEW)

M/#11001~



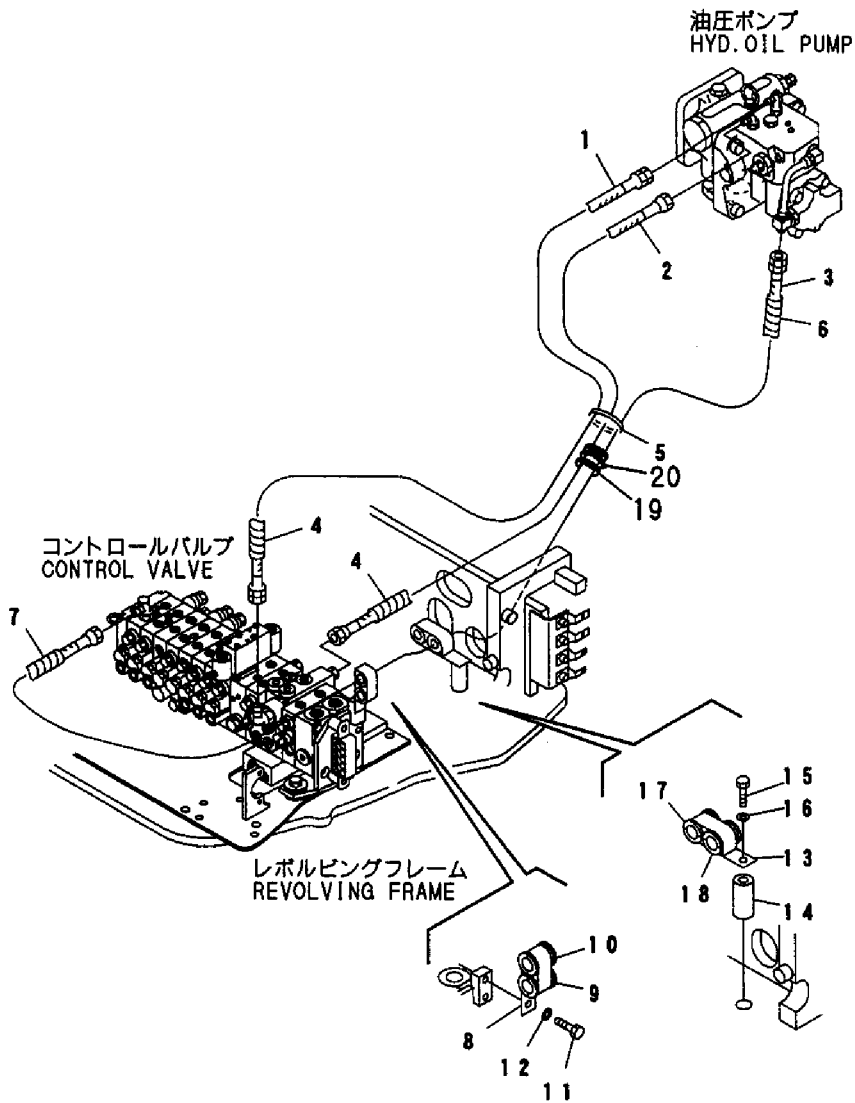
1,1,,182901-39090,,HOSE,1,,,,,,,,,,,,,
2,1,,182901-35040,,HOSE,1,,,,,,,,,,,,,
3,1,,182901-35020,,HOSE,1,,,,,,,,,,,,,
4,1,,182901-30860,,COVER,2,,,,,,,,,,,,,
5,1,,953KM0-00551,,BAND,2,,,,,,,,,,,,,
6,1,,182901-30100,, "SPIRAL TUBE",1,,,,,,,,,,,,,
7,1,,182901-30090,, "SPIRAL TUBE",1,,,,,,,,,,,,,
8,1,,182901-39200,,PLATE,1,,,,,,,,,,,,,
9,1,,182900-14140,,CLIP,1,,,,,,,,,,,,,
9-1,1,,182901-29540,,CLIP,1,,,,,S,,*,M/#10501,,,,,,,,,,,,,I
10,1,,182901-19590,,CUSHION,1,,,,,,,,,,,,,
11,1,,182900-10970,,CLIP,1,,,,,,,,,,,,,
12,1,,182901-29680,,CUSHION,1,,,,,,,,,,,,,
13,1,,182900-68000,,BOLT,3,,,,,,,,,,,,,
14,1,,953KM0-00222,,WASHER,3,,,,,,,,,,,,,
15,1,,182901-29540,,CLIP,1,,,,,,,,,,,,,
16,1,,182901-30240,,CLIP,1,,,,,,,,,,,,,
17,1,,182901-30230,,SPACER,1,,,,,,,,,,,,,
18,1,,182901-29100,,BOLT,1,,,,,,,,,,,,,
19,1,,953KM0-00048,,WASHER,1,,,,,,,,,,,,,
20,1,,182901-29680,,CUSHION,1,,,,,,,,,,,,,
21,1,,182901-19590,,CUSHION,1,,,,,,,,,,,,,
22,1,,182900-83130,,CUSHION,1,,,,,,,,,,,,,I
23,1,,182900-34520,,BAND,2,,,,,,,,,,,,,I

Fig. 26 油圧配管 (デリバリ)
 HYD. OIL PIPING (DELIVERY)



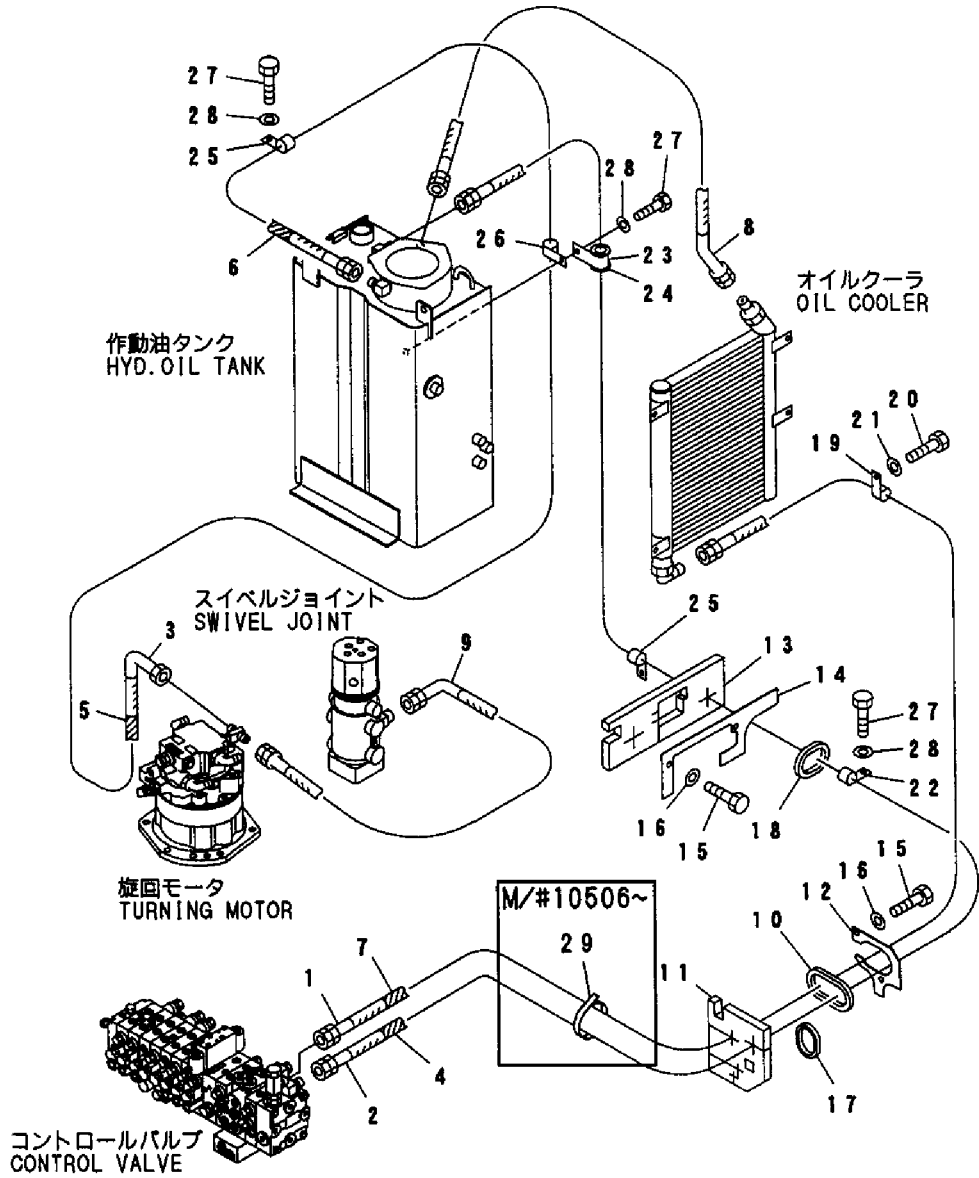
1,1,,182901-39090,,HOSE,1,,,,,,,,,,,,,
2,1,,182901-35040,,HOSE,1,,,,,,,,,,,,,
3,1,,182901-35020,,HOSE,1,,,,,,,,,,,,,
4,1,,182901-30860,,COVER,2,,,,,,,,,,,,,
5,1,,953KM0-00551,,BAND,2,,,,,,,,,,,,,
6,1,,182901-30100,, "SPIRAL TUBE",1,,,,,,,,,,,,,
7,1,,182901-30090,, "SPIRAL TUBE",1,,,,,,,,,,,,,
8,1,,182901-30240,,CLIP,1,,,,,,,,,,,,,
9,1,,182901-19590,,CUSHION,1,,,,,,,,,,,,,
10,1,,182901-29680,,CUSHION,1,,,,,,,,,,,,,
11,1,,182900-68000,,BOLT,1,,,,,,,,,,,,,
12,1,,953KM0-00222,,WASHER,1,,,,,,,,,,,,,
13,1,,182901-30240,,CLIP,1,,,,,,,,,,,,,
14,1,,182901-30230,,SPACER,1,,,,,,,,,,,,,
15,1,,182901-29100,,BOLT,1,,,,,,,,,,,,,
16,1,,953KM0-00048,,WASHER,1,,,,,,,,,,,,,
17,1,,182901-29680,,CUSHION,1,,,,,,,,,,,,,
18,1,,182901-19590,,CUSHION,1,,,,,,,,,,,,,
19,1,,182900-83130,,CUSHION,1,,,,,,,,,,,,,I
20,1,,182900-34520,,BAND,1,,,,,,,,,,,,,I

Fig. 27 油圧配管 (デリバリ, キャビン)
 HYD. OIL PIPING (DELIVERY, CABIN)



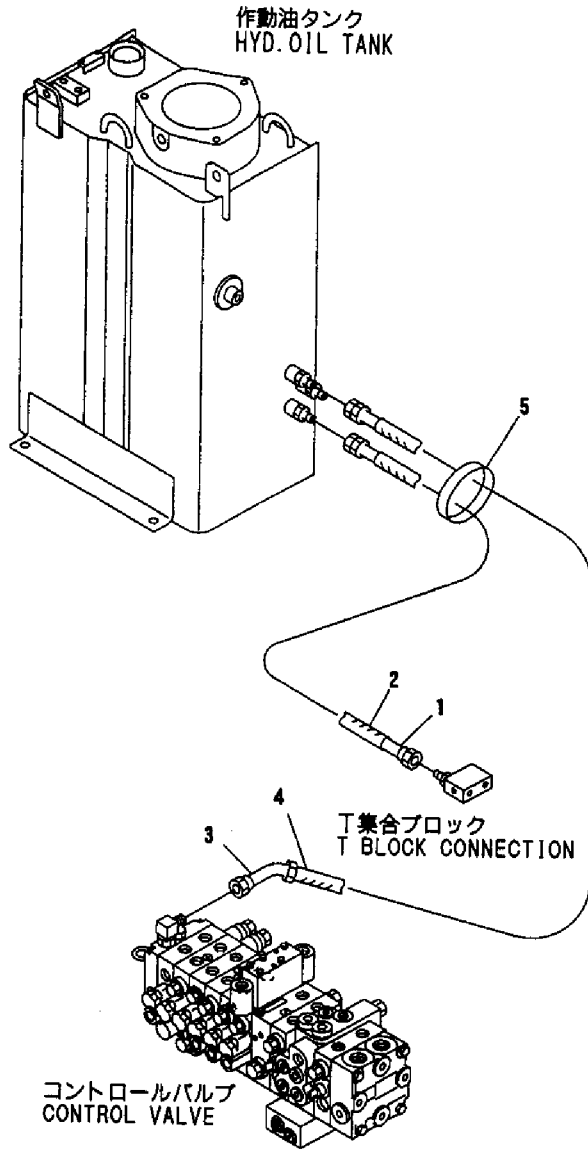
1,1,,182901-39070,,HOSE,1,,,,,,,,,,,,,
2,1,,182901-39080,,HOSE,1,,,,,,,,,,,,,
3,1,,182901-35390,,HOSE,1,,,,,,,,,,,,,
4,1,,182901-30860,,COVER,1,,,,,,,,,,,,,
5,1,,182901-30000,,,"SPIRAL TUBE",1,,,,,,,,,,,,,
6,1,,182901-30030,,,"SPIRAL TUBE",1,,,,,,,,,,,,,
7,1,,182901-30120,,,"SPIRAL TUBE",1,,,,,,,,,,,,,
7-1,1,,182901-50300,,,"SPIRAL TUBE",1,,,,,,S,,*,M/#10506,,,,,,,,,,,,,I
8,1,,182901-39060,,HOSE,1,,,,,,,,,,,,,
8-1,1,,182901-51630,,HOSE,1,,,,,,S,,*,M/#10506,,,,,,,,,,,,,I
9,1,,182901-35380,,HOSE,1,,,,,,,,,,,,,
10,1,,182901-35940,,GROMMET,1,,,,,,,,,,,,,
11,1,,182901-35710,,SHEET,1,,,,,,,,,,,,,
12,1,,182901-35690,,PLATE,1,,,,,,,,,,,,,
13,1,,182901-39240,,SHEET,1,,,,,,,,,,,,,
14,1,,182901-39250,,PLATE,1,,,,,,,,,,,,,
15,1,,182900-68000,,BOLT,4,,,,,,,,,,,,,
16,1,,953KM0-00222,,WASHER,4,,,,,,,,,,,,,
17,1,,182901-30870,,GROMMET,1,,,,,,,,,,,,,
18,1,,182901-30880,,GROMMET,2,,,,,,,,,,,,,
19,1,,182900-34030,,CLIP,2,,,,,,,,,,,,,
20,1,,182900-68000,,BOLT,2,,,,,,,,,,,,,
21,1,,953KM0-00222,,WASHER,2,,,,,,,,,,,,,
22,1,,182900-10970,,CLIP,3,,,,,,,,,,,,,
23,1,,182900-34010,,CLIP,2,,,,,,,,,,,,,
24,1,,182900-34130,,CUSHION,2,,,,,,,,,,,,,
25,1,,182900-33990,,CLIP,3,,,,,,,,,,,,,
26,1,,182901-29540,,CLIP,1,,,,,,,,,,,,,
27,1,,182900-68000,,BOLT,6,,,,,,,,,,,,,
28,1,,953KM0-00222,,WASHER,6,,,,,,,,,,,,,
29,1,,182900-44660,,BAND,1,,,,,,W,,*,M/#10506,,,,,,,,,,,,,I

Fig. 28 油圧配管 (リターン)
HYD. OIL PIPING (RETURN)



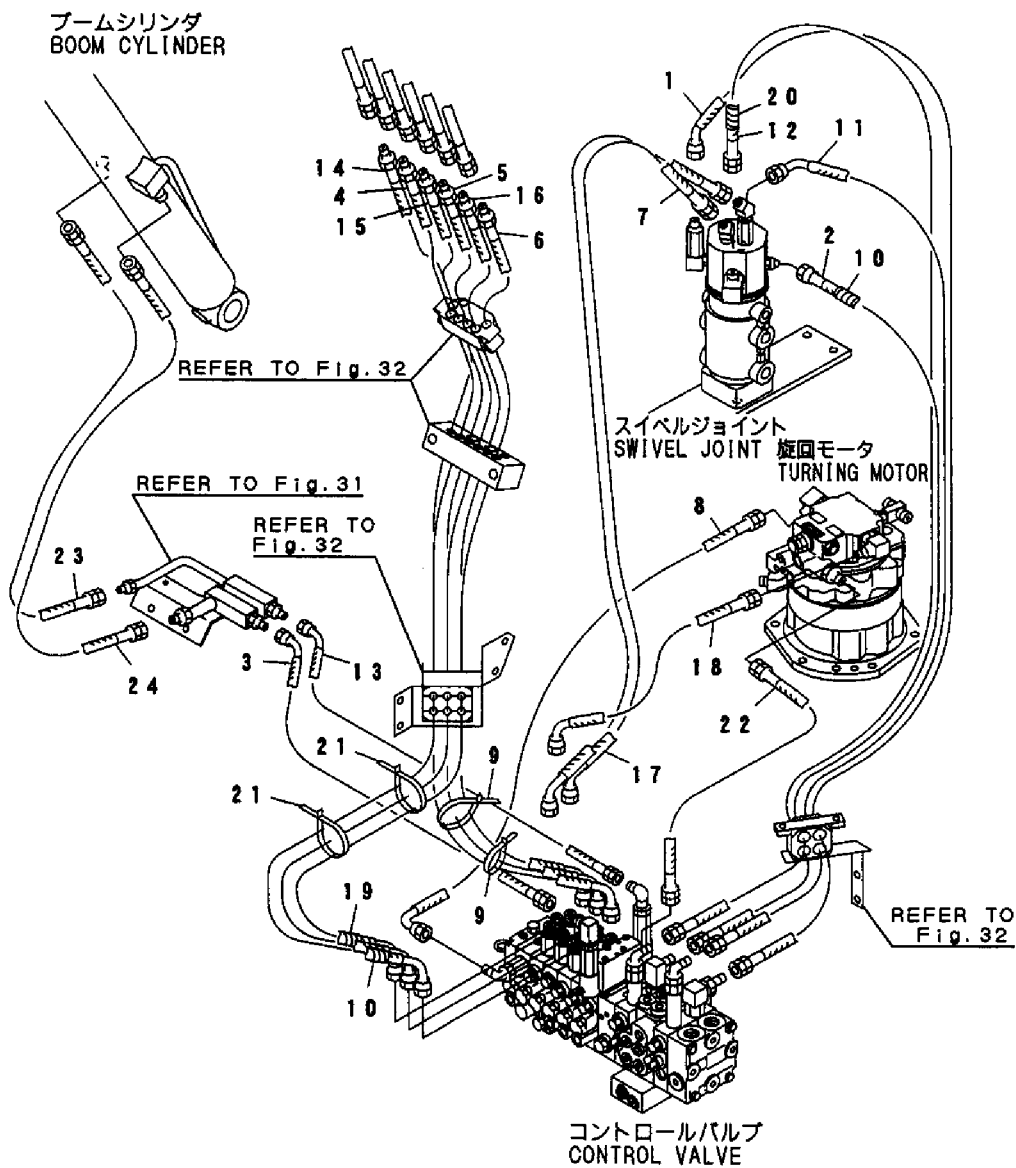
1,1,,182901-29710,,HOSE,1,,,,,,,,,,,,,
2,1,,182901-30040,, "SPIRAL TUBE",1,,,,,,,,,,,,,
3,1,,182901-29700,,HOSE,1,,,,,,,,,,,,,
4,1,,182901-30020,, "SPIRAL TUBE",1,,,,,,,,,,,,,
4-1,1,,182901-50290,, "SPIRAL TUBE",1,,,,,S,,*,M/#10501,,,,,,,,,I
5,1,,182900-83490,,BAND,1,,,,,,,,,,,,,

Fig. 29 油圧配管 (ドレン)
HYD. OIL PIPING (DRAIN)



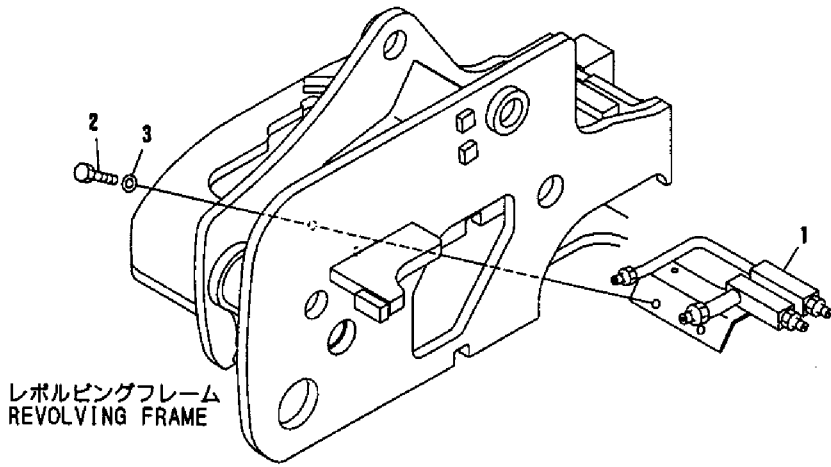
1,1,,182901-35120,, "HOSE, 950MM",1,,,,,,,,,,,,,,,,,,,,,
2,1,,182901-30890,,HOSE,1,,,,,,,,,,,,,,,,,,,,,
3,1,,182901-35160,, "HOSE, 400MM",1,,,,,,,,,,,,,,,,,,,,,
4,1,,182901-35090,, "HOSE, 1870MM",1,,,,,,,,,,,,,,,,,,,,,
5,1,,182901-35090,, "HOSE, 1870MM",1,,,,,,,,,,,,,,,,,,,,,
6,1,,182901-35100,, "HOSE, 1890MM",1,,,,,,,,,,,,,,,,,,,,,
7,1,,182901-35190,, "HOSE, 420MM",1,,,,,,,,,,,,,,,,,,,,,
8,1,,182901-35170,, "HOSE, 460MM",1,,,,,,,,,,,,,,,,,,,,,
9,1,,953KM0-00551,,BAND,2,,,,,,,,,,,,,,,,,,,,,
10,1,,182901-30100,, "SPIRAL TUBE",4,,,,,,,,,,,,,,,,,,,,,
11,1,,182901-35780,, "HOSE ASS'Y",1,,,,,,,,,,,,,,,,,,,,,
12,1,,182901-35930,, "HOSE, 950MM",1,,,,,,,,,,,,,,,,,,,,,
13,1,,182901-40570,, "HOSE, 750MM",1,,,,,,,,,,,,,,,,,,,,,
14,1,,182901-35130,, "HOSE, 400MM",1,,,,,,,,,,,,,,,,,,,,,
15,1,,182901-35060,, "HOSE, 1820MM",1,,,,,,,,,,,,,,,,,,,,,
16,1,,182901-35920,, "HOSE, 1850MM",2,,,,,,,,,,,,,,,,,,,,,
17,1,,182901-35180,, "HOSE, 380MM",1,,,,,,,,,,,,,,,,,,,,,
18,1,,182901-35110,, "HOSE, 260MM",1,,,,,,,,,,,,,,,,,,,,,
19,1,,182900-86430,,COVER,2,,,,,,,,,,,,,,,,,,,,,
20,1,,182901-30100,, "SPIRAL TUBE",3,,,,,,,,,,,,,,,,,,,,,
21,1,,953KM0-00551,,BAND,2,,,,,,,,,,,,,,,,,,,,,
22,1,,182901-35910,, "HOSE ASS'Y",1,,,,,,,,,,,,,,,,,,,,,
23,1,,182901-35140,,HOSE,1,,,,,,,,,,,,,,,,,,,,,
24,1,,182901-35050,,HOSE,1,,,,,,,,,,,,,,,,,,,,,

Fig. **30** 油圧配管 (ブーム、モータ&スィベルジョイント)
 HYD. OIL PIPING (BOOM, MOTOR & SWIVEL JOINT)



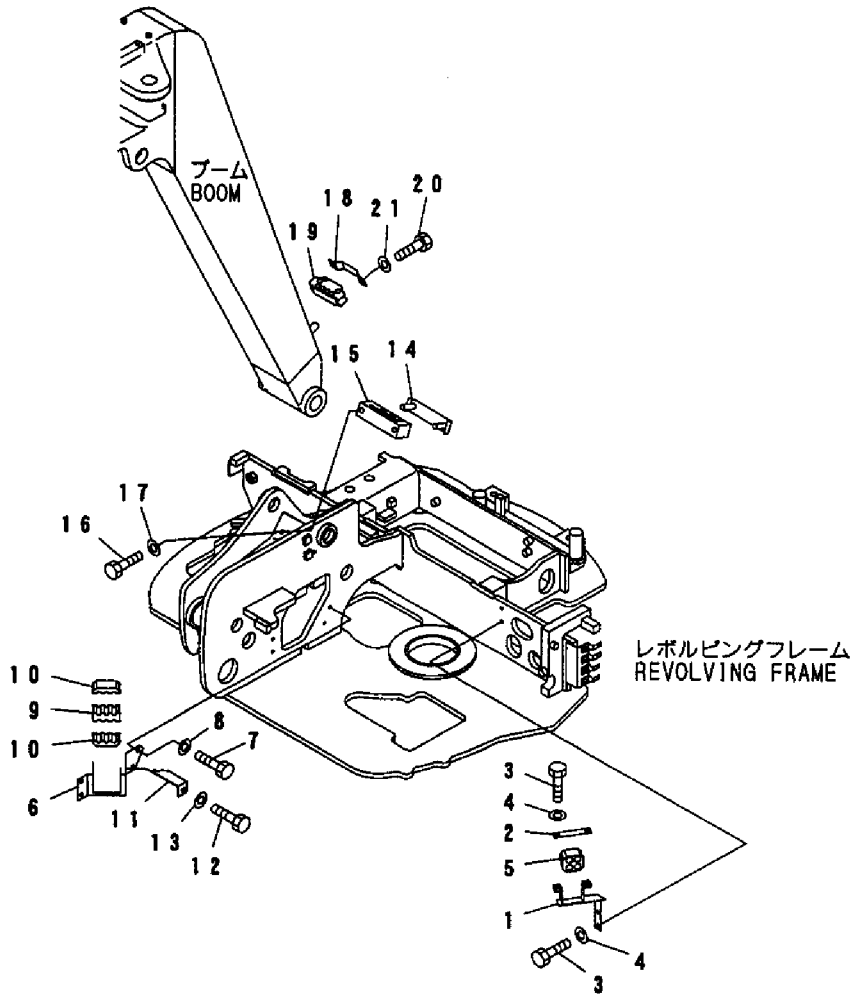
1,1,,182901-35890,, "TUBE ASS'Y",1,,,,,,,,,,,,,
1-1,1,,182901-51190,, "TUBE ASS'Y",1,,,,,,S,,*,M/#10504,,,,,,,,,,I
2,1,,182900-64870,,BOLT,2,,,,,,,,,,,,,
3,1,,953KM0-00222,,WASHER,2,,,,,,,,,,,,,

Fig. **31** 油圧配管 (ブームシリンダ)
HYD. OIL PIPING (BOOM CYLINDER)



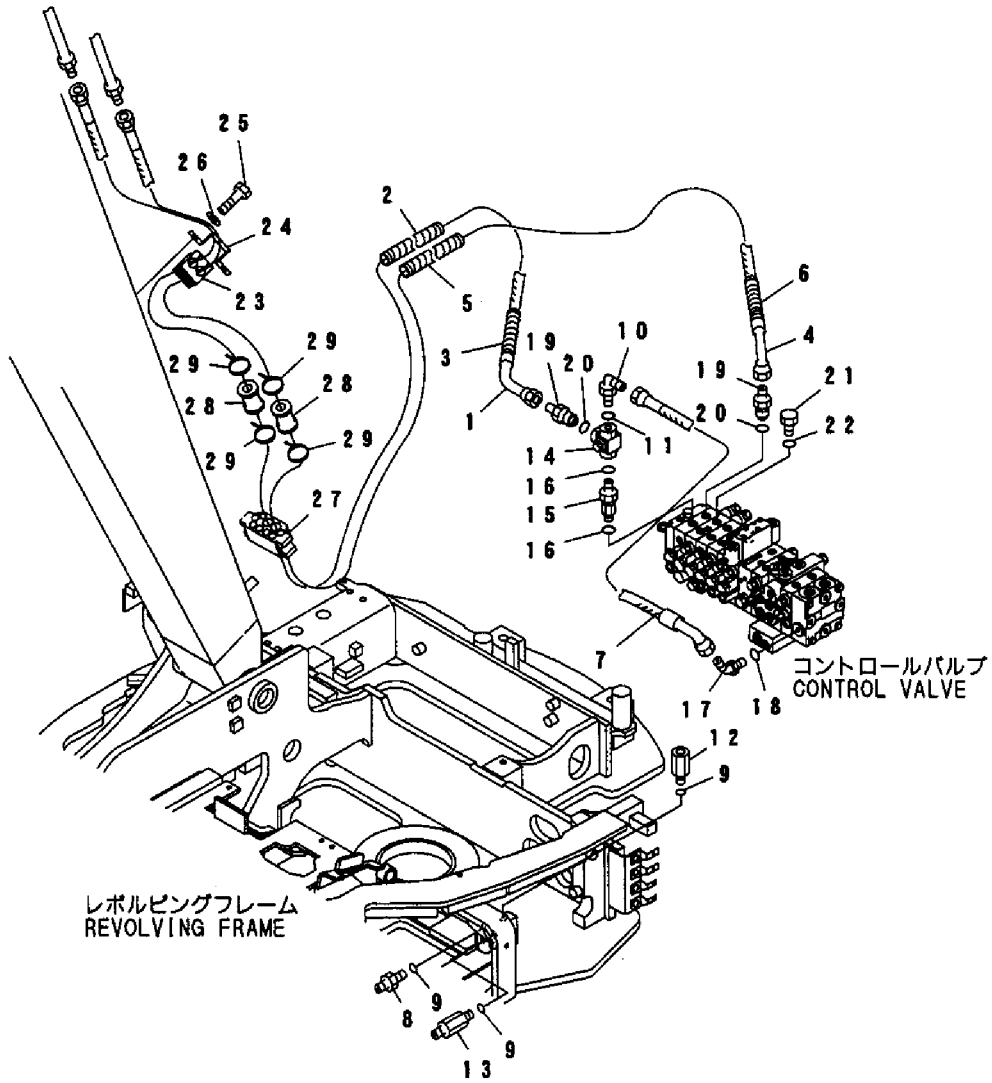
1,1,,182901-35300,,BRACKET,1,,,,,,,,,,,,,
2,1,,182901-35320,,PLATE,1,,,,,,,,,,,,,
3,1,,182900-64860,,BOLT,4,,,,,,,,,,,,,
4,1,,953KM0-00222,,WASHER,4,,,,,,,,,,,,,
5,1,,182901-38990,,CUSHION,1,,,,,,,,,,,,,
6,1,,182901-35220,,BRACKET,1,,,,,,,,,,,,,
7,1,,182900-64860,,BOLT,4,,,,,,,,,,,,,
8,1,,953KM0-00222,,WASHER,4,,,,,,,,,,,,,
9,1,,182901-35240,,CUSHION,1,,,,,,,,,,,,,
10,1,,182901-35200,,CUSHION,2,,,,,,,,,,,,,
11,1,,182901-35250,,PLATE,1,,,,,,,,,,,,,
12,1,,182900-68000,,BOLT,1,,,,,,,,,,,,,
13,1,,953KM0-00222,,WASHER,1,,,,,,,,,,,,,
14,1,,182901-35270,,BRACKET,1,,,,,,,,,,,,,
15,1,,182901-35290,,CUSHION,1,,,,,,,,,,,,,
16,1,,182901-19350,,BOLT,2,,,,,,,,,,,,,
17,1,,953KM0-00222,,WASHER,2,,,,,,,,,,,,,
18,1,,182901-35350,,PLATE,1,,,,,,,,,,,,,
19,1,,182901-35360,,CUSHION,1,,,,,,,,,,,,,
20,1,,182900-64860,,BOLT,2,,,,,,,,,,,,,
21,1,,953KM0-00222,,WASHER,2,,,,,,,,,,,,,

Fig. **32** マウント (油圧配管)
MOUNT (HYD. OIL PIPING)



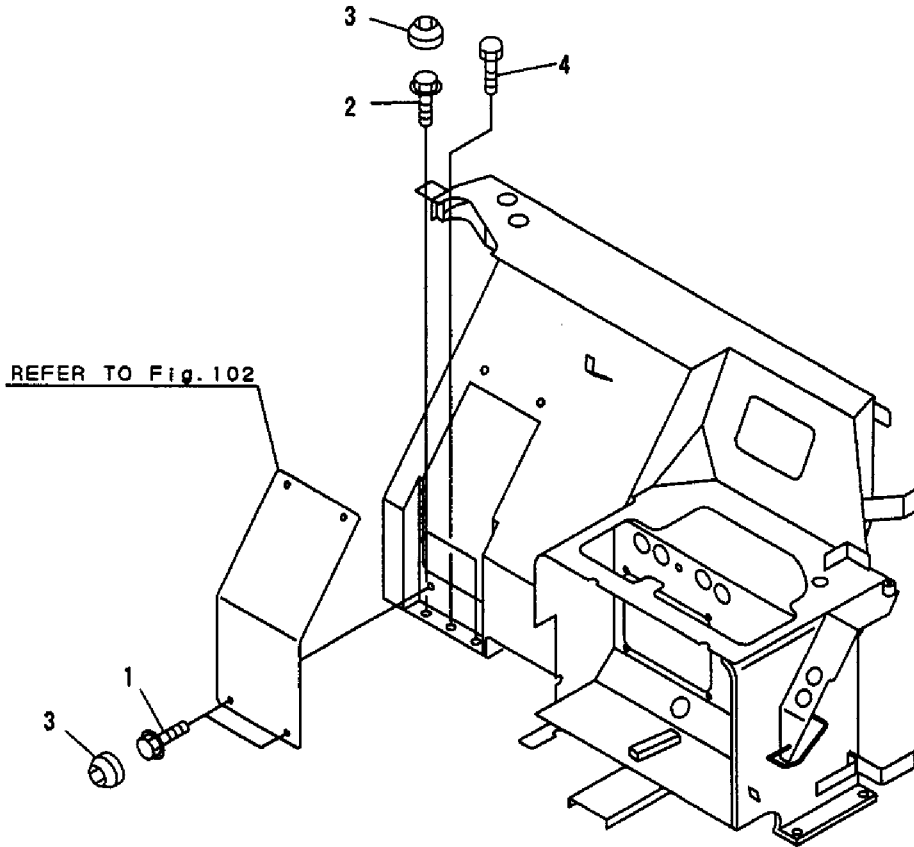
1,1,,182901-36880,,HOSE,1,,,,,,,,,,,,,,,,,,,,,
2,1,,182901-30110,,,"SPIRAL TUBE",1,,,,,,,,,,,,,,,,,,,,,
3,1,,182901-30100,,,"SPIRAL TUBE",1,,,,,,,,,,,,,,,,,,,,,
4,1,,182901-36870,,HOSE,1,,,,,,,,,,,,,,,,,,,,,
5,1,,182901-30110,,,"SPIRAL TUBE",1,,,,,,,,,,,,,,,,,,,,,
6,1,,182901-30100,,,"SPIRAL TUBE",1,,,,,,,,,,,,,,,,,,,,,
7,1,,182901-36890,,HOSE,1,,,,,,,,,,,,,,,,,,,,,
8,1,,182900-34300,,UNION,1,,,,,,,,,,,,,,,,,,,,,
9,1,,953KM0-00388,,O-RING,3,,,,,,,,,,,,,,,,,,,,,
10,1,,182901-29740,,ELBOW,1,,,,,,,,,,,,,,,,,,,,,
11,1,,953KM0-00051,,O-RING,1,,,,,,,,,,,,,,,,,,,,,
12,1,,182901-35730,,ADAPTER,1,,,,,,,,,,,,,,,,,,,,,
13,1,,182901-36840,,UNION,1,,,,,,,,,,,,,,,,,,,,,
14,1,,182901-36850,,,"VALVE ASS'Y",1,,,,,,,,,,,,,,,,,,,,,
15,1,,182901-36860,,UNION,1,,,,,,,,,,,,,,,,,,,,,
16,1,,953KM0-00051,,O-RING,2,,,,,,,,,,,,,,,,,,,,,
17,1,,182901-29740,,ELBOW,1,,,,,,,,,,,,,,,,,,,,,
18,1,,953KM0-00051,,O-RING,1,,,,,,,,,,,,,,,,,,,,,
19,1,,182900-35590,,UNION,2,,,,,,,,,,,,,,,,,,,,,
20,1,,953KM0-00051,,O-RING,2,,,,,,,,,,,,,,,,,,,,,
21,1,,953KM0-00401,,PLUG,2,,,,,,,,,,,,,,,,,,,,,
22,1,,953KM0-00051,,O-RING,2,,,,,,,,,,,,,,,,,,,,,
23,1,,182901-36730,,CLAMP,1,,,,,,,,,,,,,,,,,,,,,
24,1,,182901-36750,,PLATE,1,,,,,,,,,,,,,,,,,,,,,
25,1,,182900-68020,,BOLT,2,,,,,,,,,,,,,,,,,,,,,
26,1,,953KM0-00222,,WASHER,2,,,,,,,,,,,,,,,,,,,,,
27,1,,182901-36820,,CUSHION,1,,,,,,,,,,,,,,,,,,,,,
28,1,,182900-24730,,CUSHION,2,,,,,,,,,,,,,,,,,,,,,
29,1,,182900-44660,,BAND,4,,,,,,,,,,,,,,,,,,,,,

Fig. 33 油圧配管 (アタッチメント) (1)
 HYD. OIL PIPING (ATTACHMENT) (1)



1,1,,182900-04240,,BOLT,2,,,,,,,,,,,,,,,,,,,,,
2,1,,182900-07400,,BOLT,1,,,,,,,,,,,,,,,,,,,,,
3,1,,182901-51750,,CAP,3,,,,,,,,,,,,,,,,,,,,,
4,1,,182901-51440,,BOLT,2,,,,,,,,,,,,,,,,,,,,,

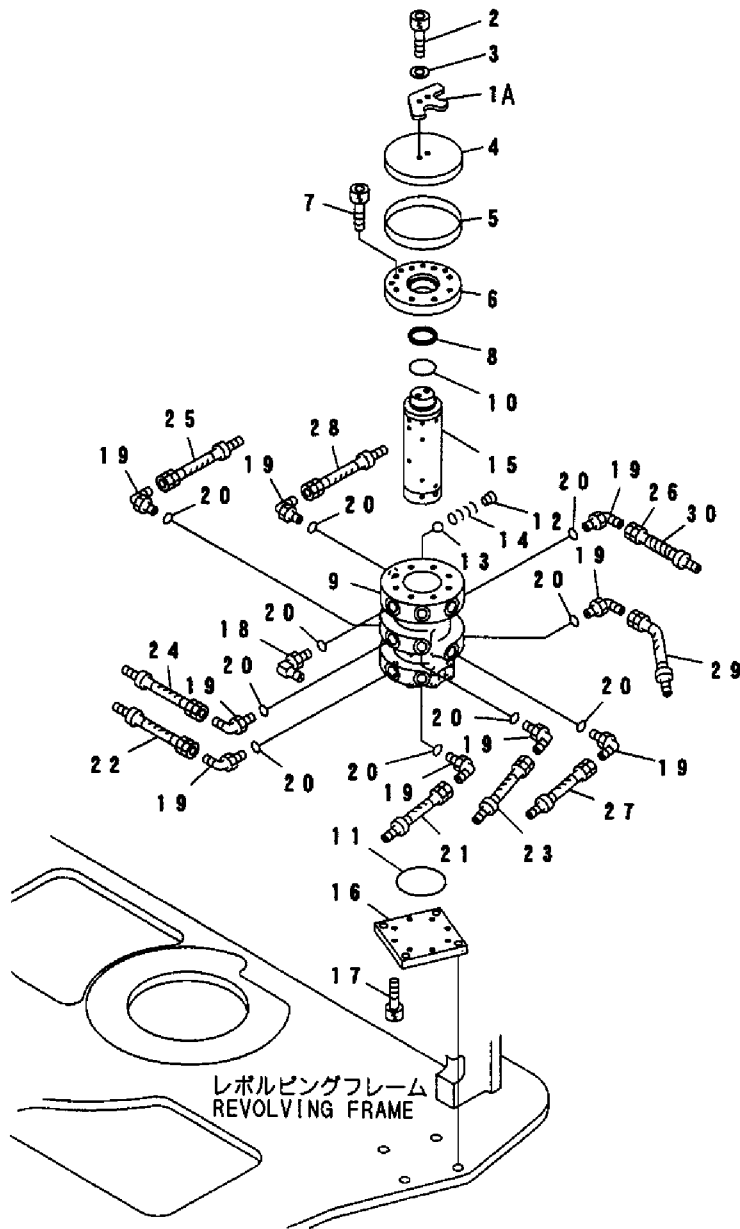
Fig. 34 油圧配管 (アタッチメント) (2)
HYD. OIL PIPING (ATTACHMENT) (2)



1,1,,182901-40500,, "VALVE ASS'Y",1,,,,,,,,,,,,,,,,,,,,,
1A,2,,182901-39300,, PLATE,1,,,,,,,,,,,,,,,,,,,,,
2,2,,953KM0-00165,, BOLT,2,,,,,,,,,,,,,,,,,,,,,
3,2,,953KM0-00220,, WASHER,2,,,,,,,,,,,,,,,,,,,,,
4,2,,182901-39290,, PLATE,1,,,,,,,,,,,,,,,,,,,,,
5,2,,182901-40470,, PLATE,1,,,,,,,,,,,,,,,,,,,,,
6,2,,182900-77220,, COVER,1,,,,,,,,,,,,,,,,,,,,,
7,2,,182900-77200,, BOLT,8,,,,,,,,,,,,,,,,,,,,,
8,2,,182900-77210,, "DUST SEAL",1,,,,,,,,,,,,,,,,,,,,,
9,2,,182900-86290,, BODY,1,,,,,,,,,,,,,,,,,,,,,
10,2,,24311-000280,, "O-RING 1A P-28.0",1,,,,,,,,,,,,,,,,,,,,,
11,2,,24321-000600,, "O-RING 1A G-60.0",2,,,,,,,,,,,,,,,,,,,,,
12,2,,182901-39280,, PLUG,1,,,,,,,,,,,,,,,,,,,,,
13,2,,24190-100001,, "BALL 5/16, STEEL",1,,,,,,,,,,,,,,,,,,,,,
14,2,,182901-40720,, SPRING,1,,,,,,,,,,,,,,,,,,,,,
15,2,,182900-84150,, SHAFT,1,,,,,,,,,,,,,,,,,,,,,
16,2,,182900-16530,, COVER,1,,,,,,,,,,,,,,,,,,,,,
17,2,,182900-77190,, BOLT,8,,,,,,,,,,,,,,,,,,,,,
18,1,,182901-31220,, ELBOW,7,,,,,,,,,,,,,,,,,,,,,
19,1,,953KM0-00482,, ELBOW,9,,,,,,,,,,,,,,,,,,,,,
20,1,,953KM0-00388,, O-RING,16,,,,,,,,,,,,,,,,,,,,,
21,1,,182901-40490,, "HOSE, 100MM",1,,,,,,,,,,,,,,,,,,,,,
22,1,,182901-40490,, "HOSE, 100MM",1,,,,,,,,,,,,,,,,,,,,,
23,1,,182901-40490,, "HOSE, 100MM",1,,,,,,,,,,,,,,,,,,,,,
24,1,,182901-40490,, "HOSE, 100MM",1,,,,,,,,,,,,,,,,,,,,,
25,1,,182901-32140,, HOSE,1,,,,,,,,,,,,,,,,,,,,,
26,1,,182900-72800,, HOSE,1,,,,,,,,,,,,,,,,,,,,,
27,1,,182901-40460,, HOSE,1,,,,,,,,,,,,,,,,,,,,,
28,1,,182901-40450,, HOSE,1,,,,,,,,,,,,,,,,,,,,,
29,1,,182901-35720,, "HOSE, 150MM",1,,,,,,,,,,,,,,,,,,,,,
30,1,,182901-30060,, "SPIRAL TUBE",1,,,,,,,,,,,,,,,,,,,,,

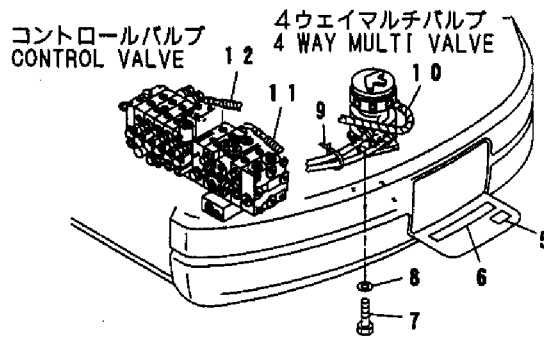
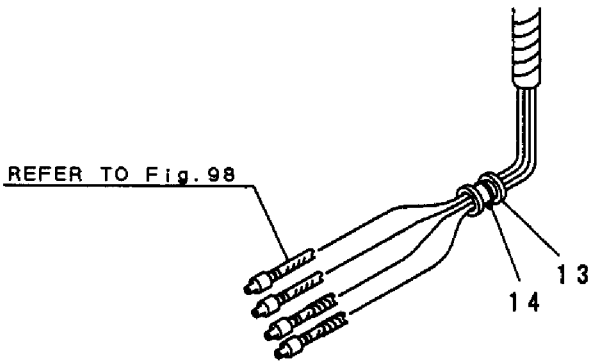
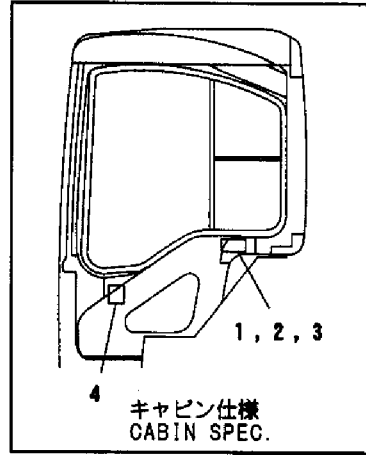
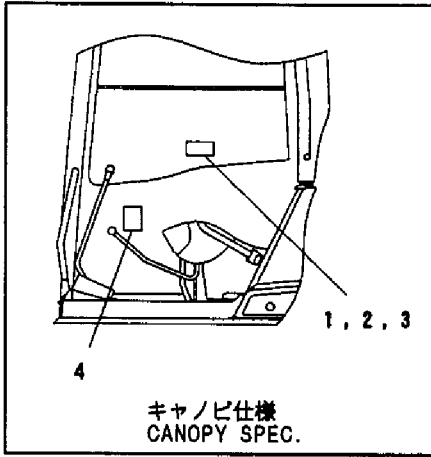
Fig. 35 4ウェイマルチバルブ 4 WAY MULTI VALVE

見出しNo. 1は、見出しNo. 1Aから17を含みます。
1 inc. 1A ~ 17



1,1,,182900-83640,, "PLATE, OPERATING",1,,,,,,,,,,,,,,,,,,,,,
2,1,,182900-83650,, "PLATE, OPERATING",1,,,,,,,,,,,,,,,,,,,,,
3,1,,182900-83680,, "CASE, PLATE",1,,,,,,,,,,,,,,,,,,,,,
4,1,,182900-83670,, LABEL,1,,,,,,,,,,,,,,,,,,,,,
5,1,,182901-25320,, LABEL,1,,,,,,,,,,,,,,,,,,,,,
6,1,,182901-31080,, PLATE,1,,,,,,,,,,,,,,,,,,,,,
7,1,,182900-64870,, BOLT,4,,,,,,,,,,,,,,,,,,,,,
8,1,,953KM0-00222,, WASHER,4,,,,,,,,,,,,,,,,,,,,,
9,1,,182900-44660,, BAND,2,,,,,,,,,,,,,,,,,,,,,
10,1,,182901-29990,, "SPIRAL TUBE",2,,,,,,,,,,,,,,,,,,,,,
11,1,,182901-30000,, "SPIRAL TUBE",2,,,,,,,,,,,,,,,,,,,,,
12,1,,182901-30020,, "SPIRAL TUBE",1,,,,,,,,,,,,,,,,,,,,,
13,1,,182900-83120,, CUSHION,1,,,,,,,,,,,,,,,,,,,,,I
14,1,,182900-44660,, BAND,1,,,,,,,,,,,,,,,,,,,,,I

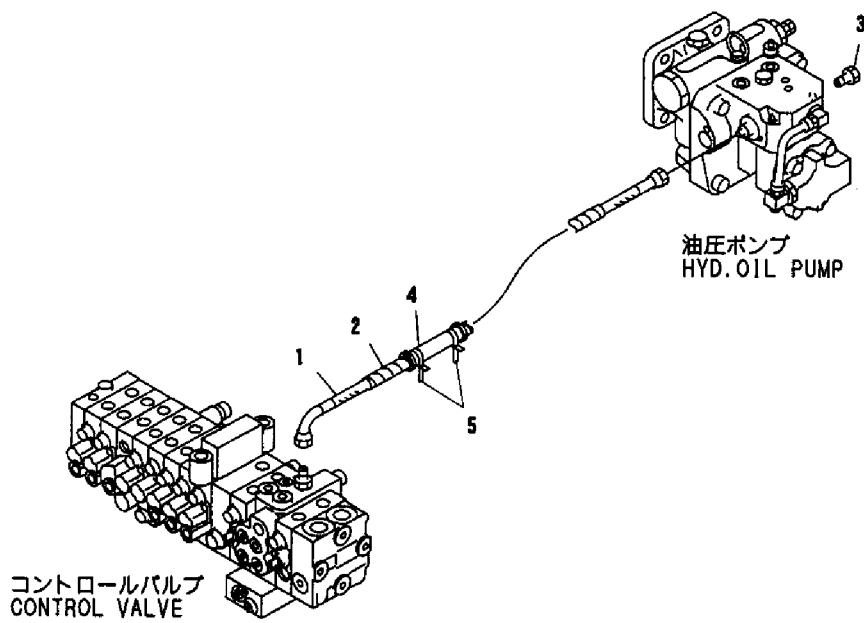
Fig. **36** 銘板 (4ウェイマルチ)
LABEL (4 WAY MULTI)



1,1,,182901-39100,,HOSE,1,,,,,,,,,,,,,,,,,,,,,
2,1,,182901-30070,,,"SPIRAL TUBE",1,,,,,,,,,,,,,,,,,,,,,
3,1,,182901-35950,,NIPPLE,1,,,,,,,,,,,,,,,,,,,,,
4,1,,182900-53580,,CUSHION,1,,,,,,,,,,,,,,,,,,,,,
5,1,,182900-68360,,BAND,2,,,,,,,,,,,,,,,,,,,,,

Fig. 37 油圧配管 (L.S., 旧形) HYD. OIL PIPING (L. S., PREVIOUS)

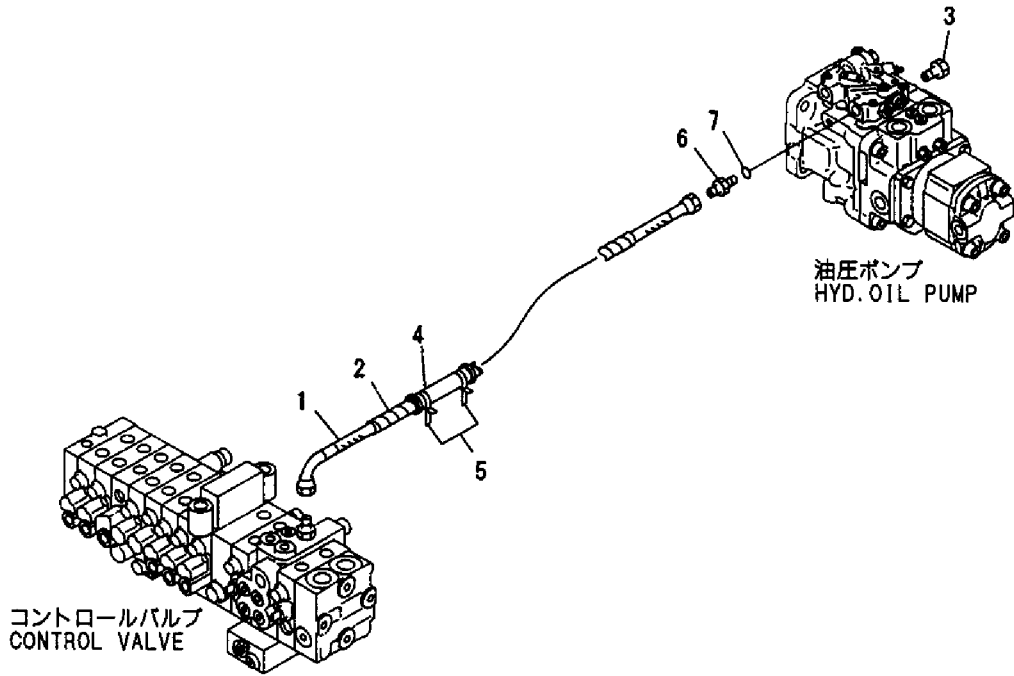
~M/#11000



1,1,,182901-39100,,HOSE,1,,,,,,,,,,,,,,,,,,,,,
2,1,,182901-30070,,,"SPIRAL TUBE",1,,,,,,,,,,,,,,,,,,,,,
3,1,,182901-35950,,NIPPLE,1,,,,,,,,,,,,,,,,,,,,,
4,1,,182900-53580,,CUSHION,1,,,,,,,,,,,,,,,,,,,,,
5,1,,182900-68360,,BAND,2,,,,,,,,,,,,,,,,,,,,,
6,1,,182901-50460,,NIPPLE,1,,,,,,,,,,,,,,,,,,,,,
7,1,,953KM0-00388,,O-RING,1,,,,,,,,,,,,,,,,,,,,,

Fig. **38** 油圧配管 (L.S., 新形)
HYD. OIL PIPING (L. S., NEW)

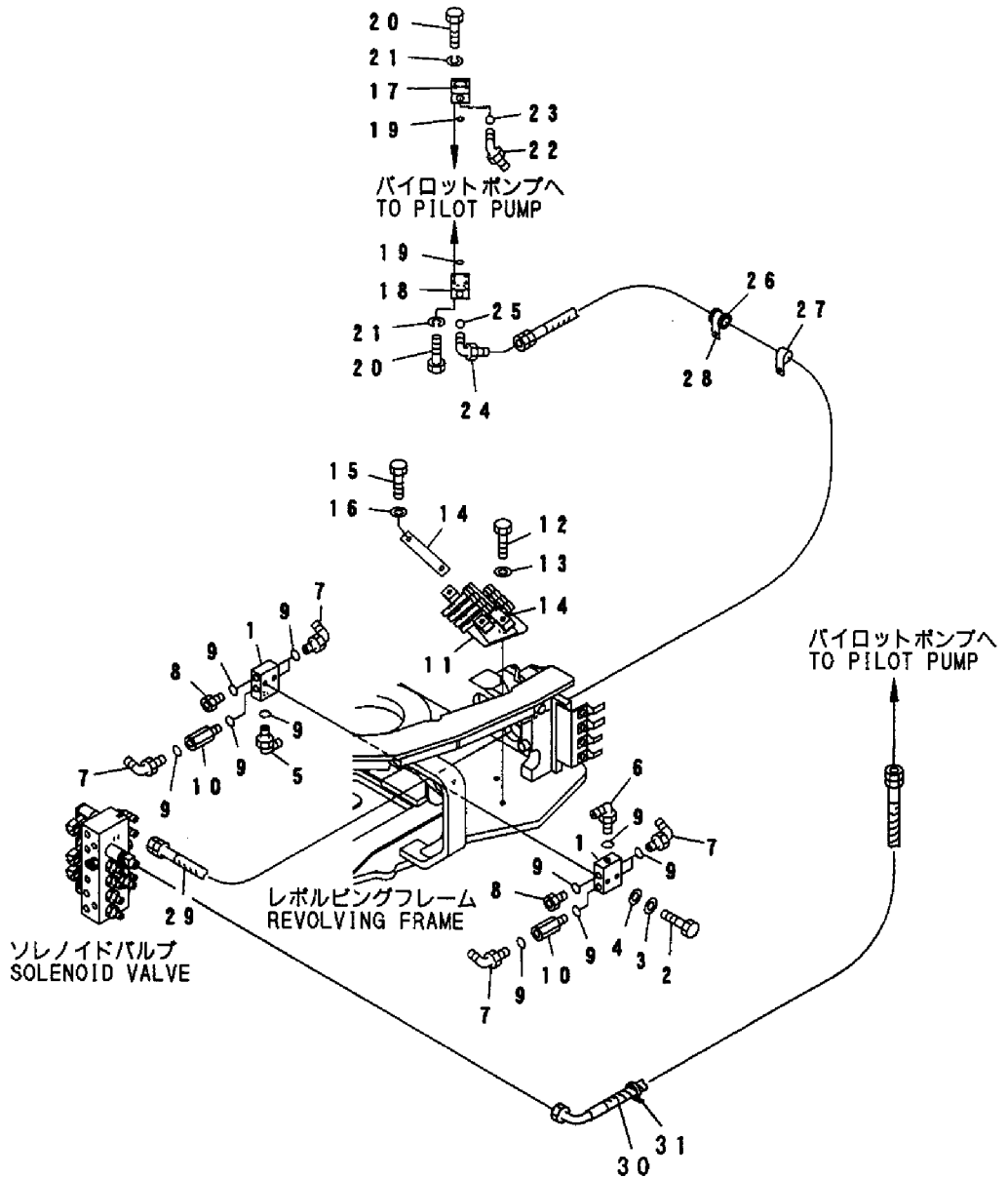
M/#11001~



1,1,,182901-35530,,BLOCK,2,,,,,,,,,,,,,
2,1,,182901-29080,,BOLT,2,,,,,,,,,,,,,
3,1,,953KM0-00221,,WASHER,2,,,,,,,,,,,,,
4,1,,953KM0-00222,,WASHER,2,,,,,,,,,,,,,
5,1,,182900-96950,,ELBOW,1,,,,,,,,,,,,,
6,1,,953KM0-00482,,ELBOW,1,,,,,,,,,,,,,
7,1,,953KM0-00485,,ELBOW,6,,,,,,,,,,,,,
8,1,,182900-24670,,PLUG,2,,,,,,,,,,,,,
9,1,,953KM0-00388,,O-RING,12,,,,,,,,,,,,,
10,1,,182901-35730,,ADAPTER,2,,,,,,,,,,,,,
11,1,,182901-35750,,BRACKET,1,,,,,,,,,,,,,
12,1,,182900-82500,,BOLT,2,,,,,,,,,,,,,
13,1,,953KM0-00048,,WASHER,2,,,,,,,,,,,,,
14,1,,182901-39130,,PLATE,2,,,,,,,,,,,,,
15,1,,182900-68000,,BOLT,4,,,,,,,,,,,,,
16,1,,953KM0-00222,,WASHER,4,,,,,,,,,,,,,
17,1,,182901-39000,,FLANGE,1,,,,,,,,,,,,,
18,1,,182901-39010,,FLANGE,1,,,,,,,,,,,,,
19,1,,24311-000210,, "O-RING 1A P-21.0",2,,,,,,,,,,,,,
20,1,,182900-67960,,BOLT,8,,,,,,,,,,,,,
21,1,,953KM0-00200,, "WASHER, SPRING",8,,,,,,,,,,,,,
22,1,,182901-29730,,ELBOW,1,,,,,,,,,,,,,
23,1,,953KM0-00051,,O-RING,1,,,,,,,,,,,,,
24,1,,953KM0-00482,,ELBOW,1,,,,,,,,,,,,,
25,1,,953KM0-00388,,O-RING,1,,,,,,,,,,,,,
26,1,,182901-29670,,CUSHION,1,,,,,,,,,,,,,
27,1,,182900-82900,,CLIP,1,,,,,,,,,,,,,
28,1,,182901-29530,,CLIP,1,,,,,,,,,,,,,
29,1,,182901-35860,, "HOSE ASS'Y",1,,,,,,,,,,,,,
30,1,,182901-51170,, "HOSE ASS'Y",1,,,,,,,,,,,,,I
31,1,,182900-44660,,BAND,1,,,,,,,,,,,,,I

Fig. 39 油圧配管 (パイロット, 旧形)
 HYD. OIL PIPING (PILOT, PREVIOUS)

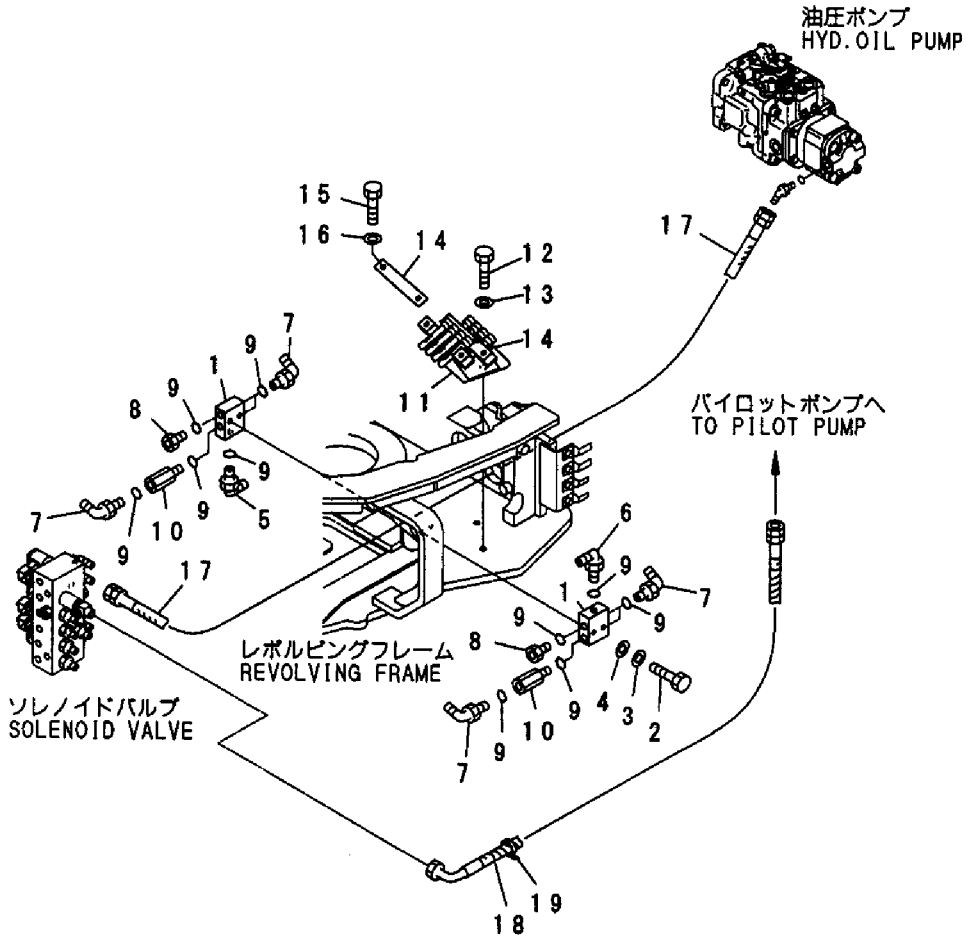
~M/#11000



1,1,,182901-35530,,BLOCK,2,,,,,,,,,,,,,
2,1,,182901-29080,,BOLT,2,,,,,,,,,,,,,
3,1,,953KM0-00221,,WASHER,2,,,,,,,,,,,,,
4,1,,953KM0-00222,,WASHER,2,,,,,,,,,,,,,
5,1,,182900-96950,,ELBOW,1,,,,,,,,,,,,,
6,1,,953KM0-00482,,ELBOW,1,,,,,,,,,,,,,
7,1,,953KM0-00485,,ELBOW,6,,,,,,,,,,,,,
8,1,,182900-24670,,PLUG,2,,,,,,,,,,,,,
9,1,,953KM0-00388,,O-RING,12,,,,,,,,,,,,,
10,1,,182901-35730,,ADAPTER,2,,,,,,,,,,,,,
11,1,,182901-35750,,BRACKET,1,,,,,,,,,,,,,
12,1,,182900-82500,,BOLT,2,,,,,,,,,,,,,
13,1,,953KM0-00048,,WASHER,2,,,,,,,,,,,,,
14,1,,182901-39130,,PLATE,2,,,,,,,,,,,,,
15,1,,182900-68000,,BOLT,4,,,,,,,,,,,,,
16,1,,953KM0-00222,,WASHER,4,,,,,,,,,,,,,
17,1,,182901-50240,,HOSE,1,,,,,,,,,,,,,
18,1,,182901-51170,, "HOSE ASS'Y",1,,,,,,,,,,,,,
19,1,,182900-44660,,BAND,1,,,,,,,,,,,,,

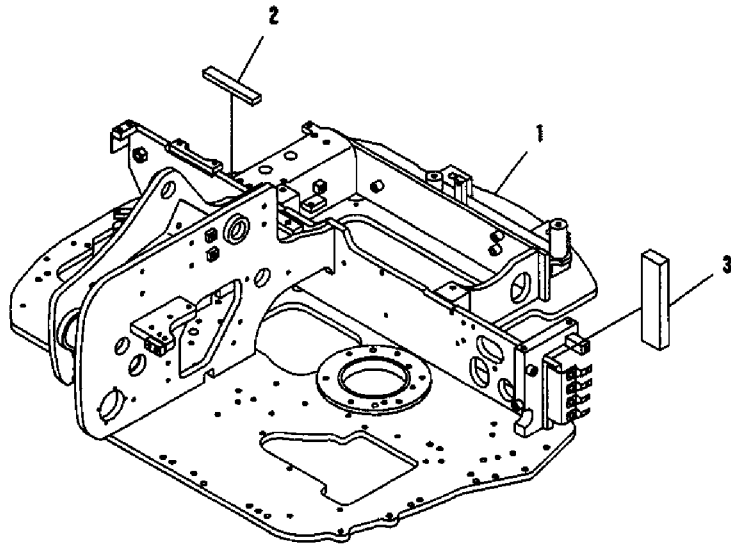
Fig. 40 油圧配管 (パイロット, 新形) HYD. OIL PIPING (PILOT, NEW)

M/#11001~



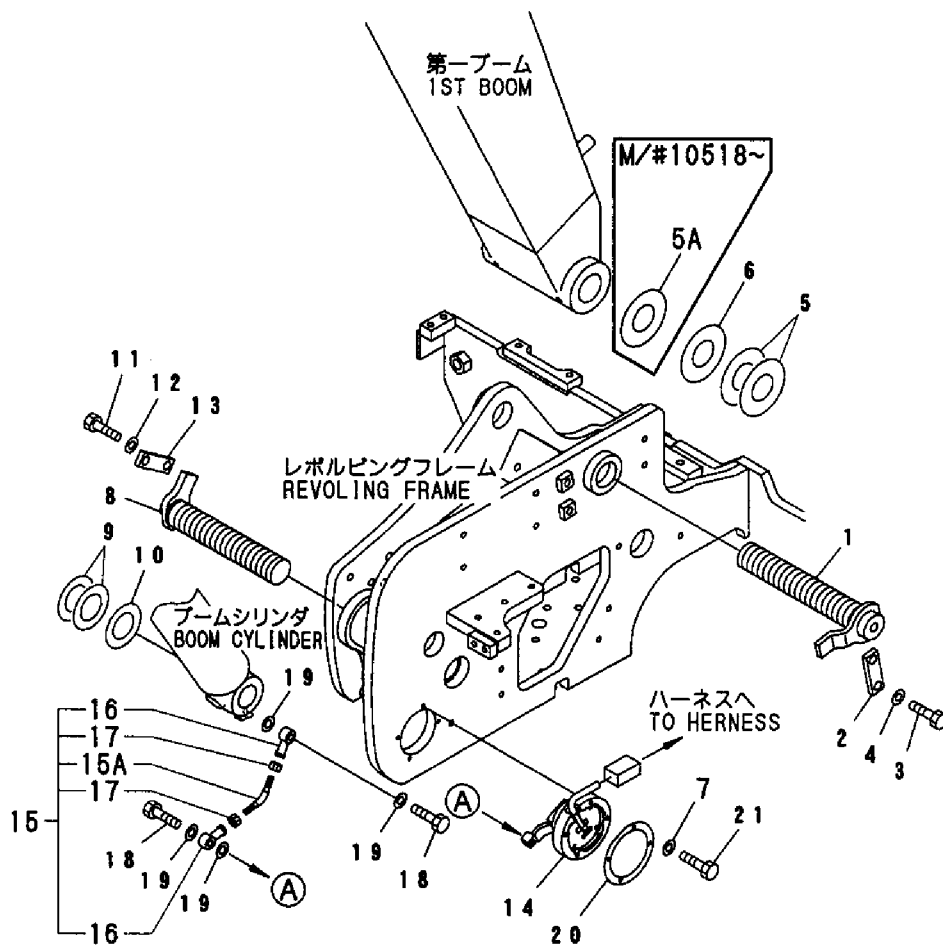
1,1,,182901-32720,,FRAME,1,,,,,,,,,,,,,,,,,,,,,
2,1,,182901-32950,,SHEET,1,,,,,,,,,,,,,,,,,,,,,
3,1,,182901-32960,,SHEET,1,,,,,,,,,,,,,,,,,,,,,

Fig. **41** レボルピングフレーム
REVOLVING FRAME



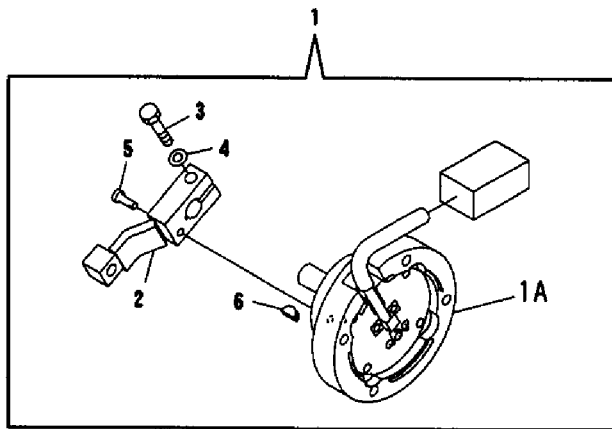
1,1,,182901-36120,,PIN,1,,,,,,,,,,,,,
1-1,1,,182901-51200,,PIN,1,,,,,,N,,*,M/#11001,,,,,,,,,,,,,I
2,1,,953KM0-00004,,PLATE,1,,,,,,,,,,,,,
3,1,,182900-77310,,BOLT,2,,,,,,,,,,,,,
4,1,,953KM0-00048,,WASHER,2,,,,,,,,,,,,,
5,1,,182901-36480,,SPACER,2,,,,,,,,,,,,,
5-1,1,,182901-36480,,SPACER,1,,,,,,K,,*,M/#10518,,,,,,,,,,,,,I
5A,1,,182901-51290,, "SPACER, 0.8MM",2,,,,,,W,,*,M/#10518,,,,,,,,,,,,,I
6,1,,182901-36320,, "SPACER, 0.5MM",1,,,,,,,,,,,,,
7,1,,953KM0-00220,,WASHER,4,,,,,,,,,,,,,
8,1,,182901-36130,,PIN,1,,,,,,,,,,,,,
8-1,1,,182901-51210,,PIN,1,,,,,,N,,*,M/#11001,,,,,,,,,,,,,I
9,1,,182901-17720,,SPACER,2,,,,,,,,,,,,,
10,1,,182901-30640,, "SPACER, 0.5MM",1,,,,,,,,,,,,,
11,1,,182900-64350,,BOLT,2,,,,,,,,,,,,,
12,1,,953KM0-00048,,WASHER,2,,,,,,,,,,,,,
13,1,,953KM0-00004,,PLATE,1,,,,,,,,,,,,,
14,1,,182901-36540,, "SENSOR ASS'Y",1,,,,,,1,,,,,,,,,,,,,
15,1,,182901-36440,, "ROD ASS'Y",1,,,,,,,,,,,,,
15A,2,,182901-36450,,ROD,1,,,,,,,,,,,,,
16,2,,953KM0-00315,, "ROD, END",2,,,,,,,,,,,,,
17,2,,953KM0-00180,,NUT,2,,,,,,,,,,,,,
18,1,,182900-82440,,BOLT,2,,,,,,,,,,,,,
19,1,,953KM0-00221,,WASHER,4,,,,,,,,,,,,,
20,1,,182901-23710,,SPACER,1,,,,,,,,,,,,,
21,1,,182901-19330,,BOLT,4,,,,,,,,,,,,,

Fig. 42 **ピン&センサ (ブーム)**
PIN & SENSOR (BOOM)



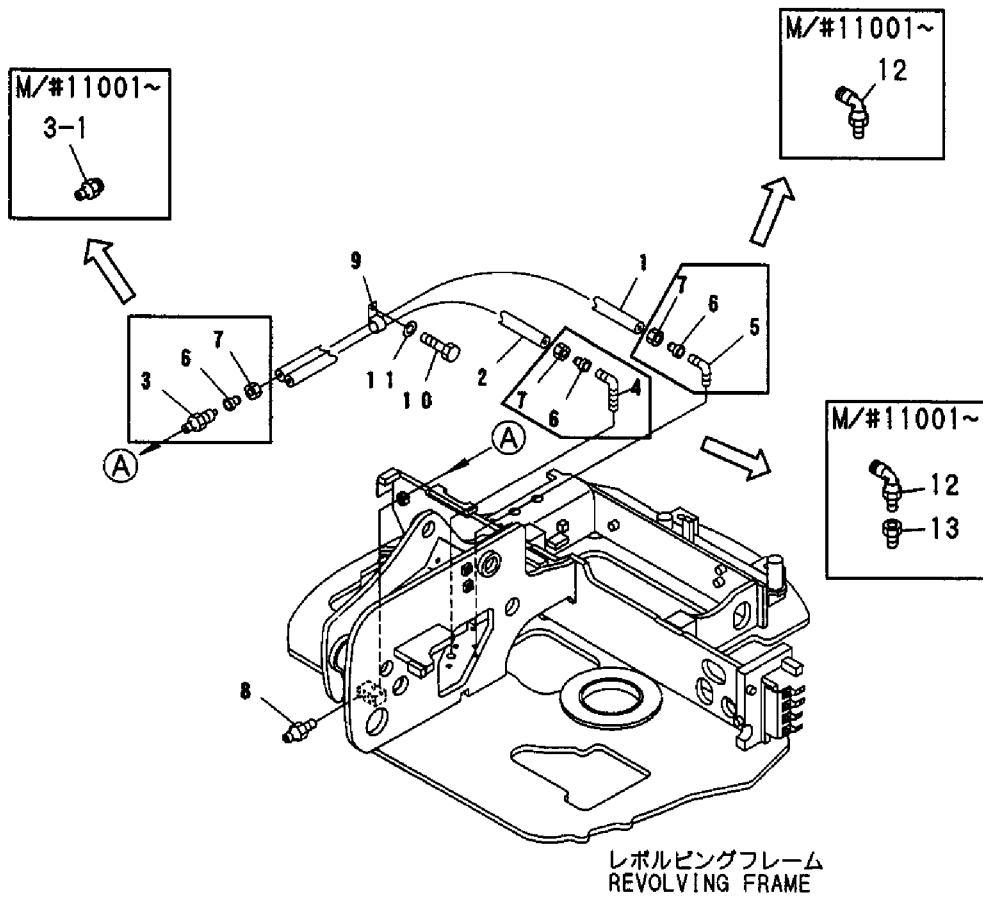
1,1,,182901-36540,, "SENSOR ASS'Y",1,,,,,,,,,,,,,,,,,,,,,
1A,2,,182901-24880,, POTENTIOMETER,1,,,,,,,,,,,,,,,,,,,,,
2,2,,182901-36470,, LEVER,1,,,,,,,,,,,,,,,,,,,,,
3,2,,182901-23650,, BOLT,1,,,,,,,,,,,,,,,,,,,,,
4,2,,953KM0-00201,, "WASHER, SPRING",1,,,,,,,,,,,,,,,,,,,,,
5,2,,182900-24590,, PIN,1,,,,,,,,,,,,,,,,,,,,,
6,2,,182900-24560,, KEY,1,,,,,,,,,,,,,,,,,,,,,

Fig. 43 センサ (インナパーツ)
SENSOR (INNER PART)



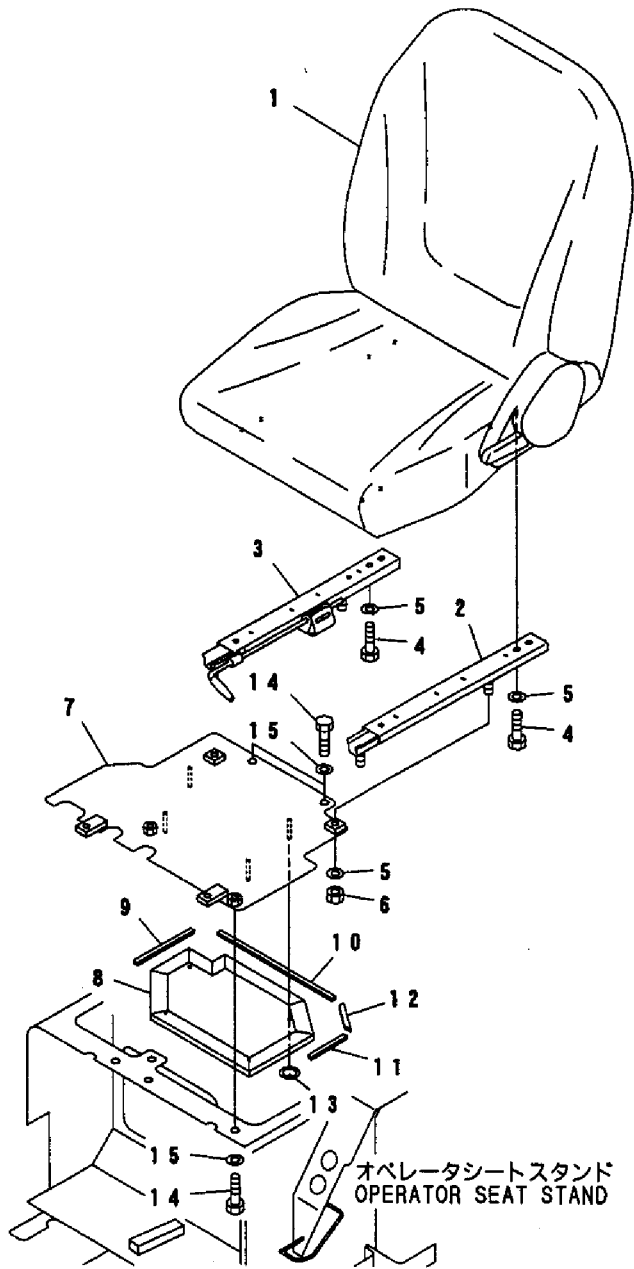
1,1,,182901-32930,,TUBE,1,,,,,,,,,,,,,
2,1,,182901-32940,,TUBE,1,,,,,,,,,,,,,
3,1,,953KM0-01129,,CONNECTOR,2,,,,,,,,,,,,,
3-1,1,,182900-13250,,NIPPLE,2,,,,,S,,*,M/#11001,,,,,,,,,I
4,1,,182901-30750,,ELBOW,1,,,,,Z,,*,M/#11000,,,,,,,,,I
5,1,,953KM0-03843,,ELBOW,1,,,,,Z,,*,M/#11000,,,,,,,,,I
6,1,,953KM0-00531,,SLEEVE,4,,,,,Z,,*,M/#11000,,,,,,,,,I
7,1,,953KM0-00533,,NUT,4,,,,,Z,,*,M/#11000,,,,,,,,,I
8,1,,24761-020000,, "NIPPLE PT1/8,GREASE",2,,,,,,,,,,,,,
9,1,,953KM0-00554,,CLIP,1,,,,,,,,,,,,,
10,1,,182900-68000,,BOLT,1,,,,,,,,,,,,,
11,1,,953KM0-00222,,WASHER,1,,,,,,,,,,,,,
12,1,,182900-13260,,ELBOW,2,,,,,W,,*,M/#11001,,,,,,,,,I
13,1,,182900-15430,,ADAPTER,1,,,,,W,,*,M/#11001,,,,,,,,,I

Fig. 44 潤滑油パイプ
LUB. OIL PIPE



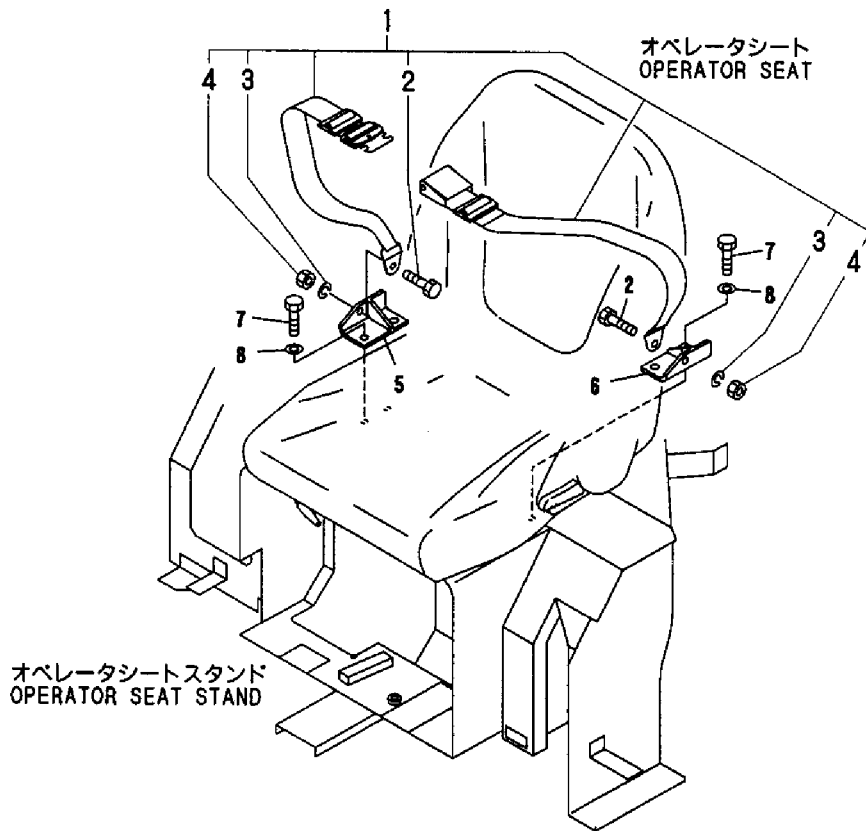
1,1,,182901-40430,, "SEAT ASS'Y",1,,,,,,,,,,,,,,,,,,,,,
2,1,,182901-31410,, "SEAT ADJUSTER L.H.",1,,,,,,,,,,,,,,,,,,,,,
3,1,,182901-31420,, "SEAT ADJUSTER R.H.",1,,,,,,,,,,,,,,,,,,,,,
4,1,,182900-64830,, BOLT,4,,,,,,,,,,,,,,,,,,,,,
5,1,,953KM0-00221,, WASHER,8,,,,,,,,,,,,,,,,,,,,,
6,1,,953KM0-00180,, NUT,4,,,,,,,,,,,,,,,,,,,,,
7,1,,182901-34790,, COVER,1,,,,,,,,,,,,,,,,,,,,,
8,1,,182901-34810,, SHEET,1,,,,,,,,,,,,,,,,,,,,,
9,1,,182901-34820,, SHEET,1,,,,,,,,,,,,,,,,,,,,,
10,1,,182901-34830,, SHEET,1,,,,,,,,,,,,,,,,,,,,,
11,1,,182901-34840,, SHEET,1,,,,,,,,,,,,,,,,,,,,,
12,1,,182901-34850,, SHEET,1,,,,,,,,,,,,,,,,,,,,,
13,1,,182901-38750,, WASHER,4,,,,,,,,,,,,,,,,,,,,,
14,1,,182900-68000,, BOLT,4,,,,,,,,,,,,,,,,,,,,,
15,1,,953KM0-00222,, WASHER,4,,,,,,,,,,,,,,,,,,,,,

Fig. 45 オペレータシート
OPERATOR SEAT



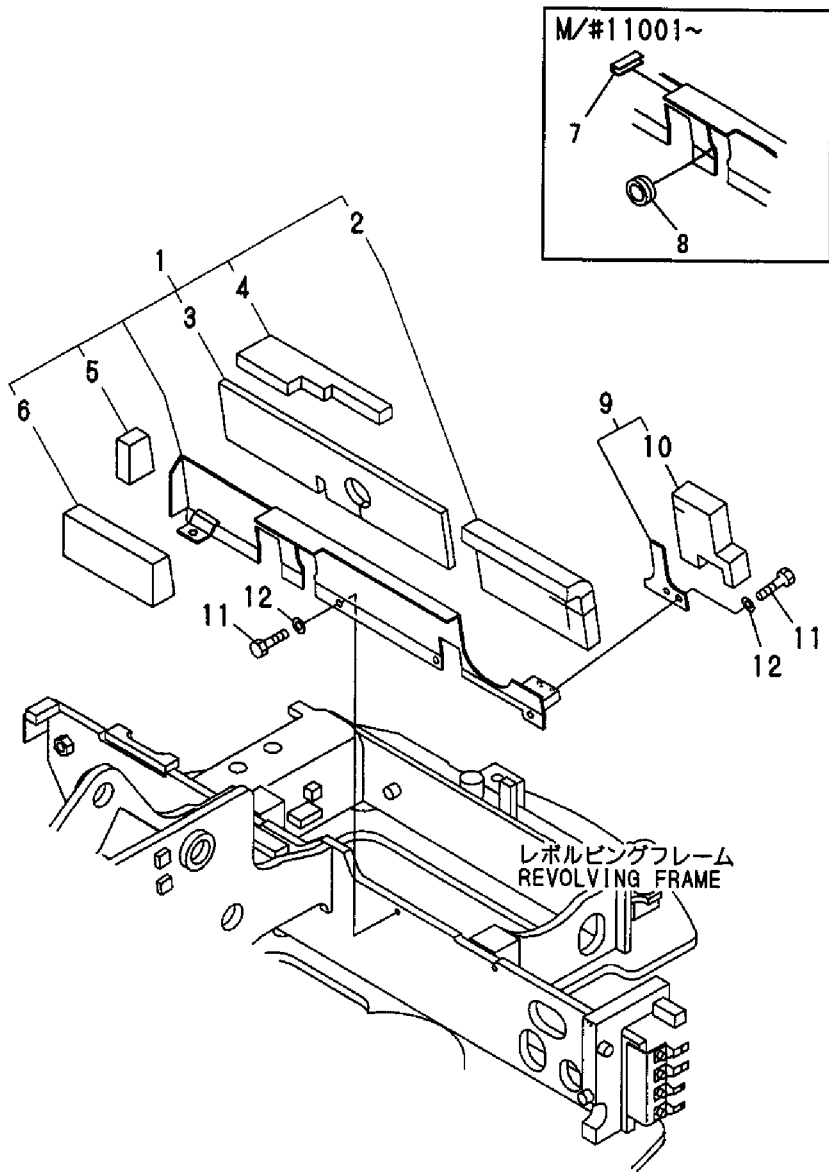
1,1,,182901-30810,, "SEAT BELT ASS'Y",1,,,,,,,,,,,,,,,,,,,,,
2,2,,182901-30820,, BOLT,2,,,,,,,,,,,,,,,,,,,,,
3,2,,182900-64980,, WASHER,2,,,,,,,,,,,,,,,,,,,,,
4,2,,182900-64990,, NUT,2,,,,,,,,,,,,,,,,,,,,,
5,1,,182901-38900,, PLATE,1,,,,,,,,,,,,,,,,,,,,,
6,1,,182901-38920,, PLATE,1,,,,,,,,,,,,,,,,,,,,,
7,1,,182900-64860,, BOLT,4,,,,,,,,,,,,,,,,,,,,,
8,1,,953KM0-00222,, WASHER,4,,,,,,,,,,,,,,,,,,,,,

Fig. 46 シートベルト
SEAT BELT



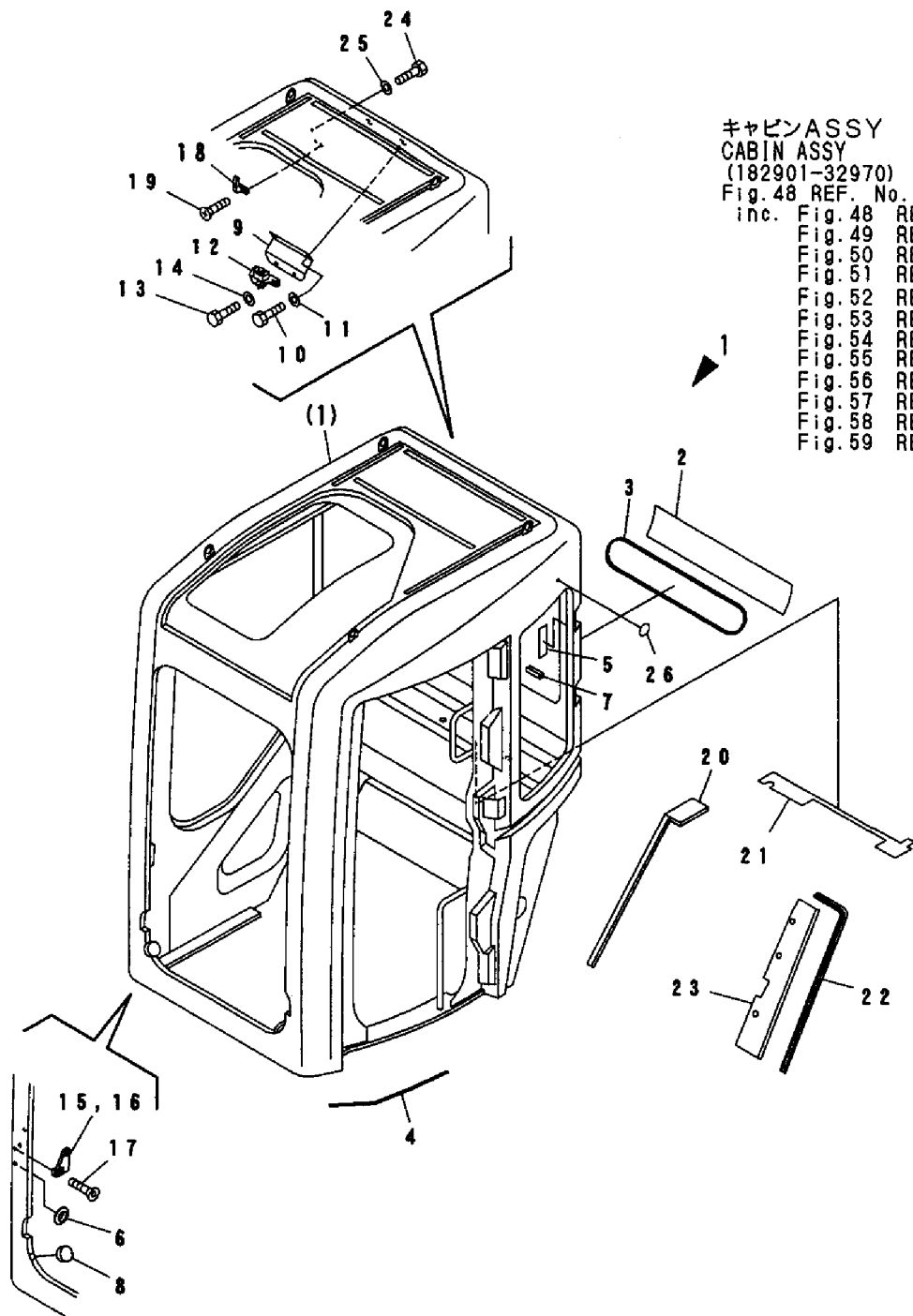
1,1,,182901-32850,, "PLATE ASS'Y",1,,,,,,,,,,,,,,,,,,,,,
2,2,,182901-32830,, SHEET,1,,,,,,,,,,,,,,,,,,,,,
3,2,,182901-32840,, SHEET,1,,,,,,,,,,,,,,,,,,,,,
4,2,,182901-32870,, SHEET,1,,,,,,,,,,,,,,,,,,,,,
5,2,,182901-32880,, SHEET,1,,,,,,,,,,,,,,,,,,,,,
6,2,,182901-32920,, SHEET,1,,,,,,,,,,,,,,,,,,,,,
7,2,,182901-50650,, SEAL,1,,,,,,W,,*,M/#11001,,,,,,,,,,,,,I
8,2,,182901-40610,, GROMMET,1,,,,,,W,,*,M/#11001,,,,,,,,,,,,,I
9,1,,182901-32890,, "PLATE ASS'Y",1,,,,,,,,,,,,,,,,,,,,,
10,2,,182901-32910,, SHEET,1,,,,,,,,,,,,,,,,,,,,,
11,1,,182900-68000,, BOLT,6,,,,,,,,,,,,,,,,,,,,,
12,1,,953KM0-00222,, WASHER,6,,,,,,,,,,,,,,,,,,,,,

Fig. 47 オペレータシートスタンドカバー
OPERATOR SEAT STAND COVER



1,1,,182901-32970,, "CAB ASS'Y",1,,,,,,,,1,,,,,,,,,
1-1,1,,182901-50660,, "CAB ASS'Y",1,,,,,,S,1,*M/#10506,,,,,,,,,I
1-2,1,,182901-50670,, "CAB ASS'Y",1,,,,,,S,1,*M/#10536,,,,,,,,,I
2,2,,182901-37680,,COVER,1,,,,,,,,,
3,2,,182900-38240,,DAM,1,,,,,,,,,
4,2,,182900-38280,,SEAL,1,,,,,,,,,
5,2,,182900-37990,,TAPE,2,,,,,,,,,
6,2,,182900-35550,,GROMMET,4,,,,,,,,,
7,2,,182900-38250,,STOPPER,4,,,,,,,,,
8,2,,953KM0-00599,,CAP,2,,,,,,,,,
9,2,,182901-31000,,BRACKET,1,,,,,,,,,
10,2,,182901-28940,,BOLT,2,,,,,,,,,
11,2,,182900-33890,,WASHER,2,,,,,,,,,
12,2,,182900-41930,, "LOCK ASS'Y",1,,,,,,,,,
12-1,2,,182901-50400,, "LOCK ASS'Y",1,,,,,,S,*M/#10506,,,,,,,,,I
13,2,,182901-28940,,BOLT,2,,,,,,,,,
14,2,,182900-33890,,WASHER,2,,,,,,,,,
15,2,,182901-24900,,STOPPER,1,,,,,,,,,
16,2,,182901-30790,,STOPPER,1,,,,,,,,,
17,2,,182900-41590,,SCREW,6,,,,,,,,,
18,2,,182900-41900,,HANGER,1,,,,,,,,,
19,2,,182900-33800,,SCREW,2,,,,,,,,,
20,2,,182901-34580,,SHEET,1,,,,,,,,,
21,2,,182901-34570,,SHEET,1,,,,,,,,,
22,2,,182901-39750,,SEAL,1,,,,,,,,,
23,2,,182901-34590,,SHEET,1,,,,,,,,,
24,2,,182900-33600,,BOLT,1,,,,,,,,,
25,2,,182900-33890,,WASHER,1,,,,,,,,,
26,2,,182901-40390,,PLATE,1,,,,,,,,,

Fig. 48 キャビン CABIN



キャビンASSY
CABIN ASSY
(182901-32970)

Fig. 48 REF. No. 1

inc. Fig. 48	REF. No. (1) ~ 26
Fig. 49	REF. No. 1 ~ 31
Fig. 50	REF. No. 1 ~ 21
Fig. 51	REF. No. 1 ~ 26
Fig. 52	REF. No. 1 ~ 35
Fig. 53	REF. No. 1 ~ 12
Fig. 54	REF. No. 1 ~ 25
Fig. 55	REF. No. 1 ~ 2
Fig. 56	REF. No. 1 ~ 9
Fig. 57	REF. No. 1 ~ 5
Fig. 58	REF. No. 1 ~ 3
Fig. 59	REF. No. 1 ~ 3

1,2,,182901-39850,, "DOOR ASS'Y",1,,,,,,,,1,,,,,,,,,,,,,
1-1,2,,182901-51690,, "DOOR ASS'Y",1,,,,,,S,1,*M/#10506,,,,,,,,,,,,,I
1-2,2,,182901-51700,, "DOOR ASS'Y",1,,,,,,S,1,*M/#10536,,,,,,,,,,,,,I
1A,3,,182901-39910,, DOOR,1,,,,,,,,,,,,,,,,,,,,,
2,3,,182901-39930,, GLASS,1,,,,,,,,,,,,,,,,,,,,,
3,3,,182901-39940,, GLASS,1,,,,,,,,,,,,,,,,,,,,,
4,3,,182900-37820,, DAM,1,,,,,,,,,,,,,,,,,,,,,
5,3,,182900-37830,, DAM,1,,,,,,,,,,,,,,,,,,,,,
6,3,,182900-37840,, TRIM,1,,,,,,,,,,,,,,,,,,,,,
7,3,,182901-40360,, SEAL,1,,,,,,,,,,,,,,,,,,,,,
8,3,,182901-40040,, HANDLE,1,,,,,,,,,,,,,,,,,,,,,
9,3,,182901-40010,, COVER,1,,,,,,,,,,,,,,,,,,,,,
10,3,,182900-72730,, PACKING,1,,,,,,,,,,,,,,,,,,,,,
11,3,,182901-40350,, CLIP,2,,,,,,,,,,,,,,,,,,,,,
12,3,,182901-31390,, GRIP,1,,,,,,,,,,,,,,,,,,,,,
13,3,,182900-24410,, SCREW,2,,,,,,,,,,,,,,,,,,,,,
14,3,,953KM0-00197,, "WASHER, SPRING",2,,,,,,,,,,,,,,,,,,,,,
15,3,,182901-40330,, ROLLER,1,,,,,,,,,,,,,,,,,,,,,
15-1,3,,182901-51710,, "UPPER ROLLER ASS'Y",1,,,,,,S,,*M/#10506,,,,,,,,,,,,,I
15-2,3,,182901-51720,, "UPPER ROLLER ASS'Y",1,,,,,,S,,*M/#10536,,,,,,,,,,,,,I
16,3,,182900-67980,, BOLT,2,,,,,,,,,,,,,,,,,,,,,
17,3,,953KM0-00221,, WASHER,2,,,,,,,,,,,,,,,,,,,,,
18,3,,182900-70330,, "ROLLER ASS'Y",1,,,,,,,,,,,,,,,,,,,,,
18-1,3,,182901-48990,, "ROLLER ASSY",1,,,,,,S,,*M/#10536,,,,,,,,,,,,,I
19,3,,182901-28940,, BOLT,2,,,,,,,,,,,,,,,,,,,,,
20,3,,182900-33890,, WASHER,2,,,,,,,,,,,,,,,,,,,,,
21,3,,182901-31010,, "ROLLER ASS'Y",1,,,,,,,,,,,,,,,,,,,,,
22,3,,182901-28940,, BOLT,3,,,,,,,,,,,,,,,,,,,,,
23,3,,182900-33890,, WASHER,3,,,,,,,,,,,,,,,,,,,,,
24,3,,182901-40250,, BRACKET,1,,,,,,,,,,,,,,,,,,,,,
25,3,,182901-40020,, BRACKET,1,,,,,,,,,,,,,,,,,,,,,
26,3,,182900-49770,, BOLT,4,,,,,,,,,,,,,,,,,,,,,
27,3,,182900-49780,, WASHER,4,,,,,,,,,,,,,,,,,,,,,
28,3,,182900-38360,, STRIKER,6,,,,,,,,,,,,,,,,,,,,,
29,3,,182900-82400,, BOLT,12,,,,,,,,,,,,,,,,,,,,,
30,3,,953KM0-00211,, WASHER,12,,,,,,,,,,,,,,,,,,,,,
31,3,,182900-38380,, SHIM,6,,,,,,,,,,,,,,,,,,,,,

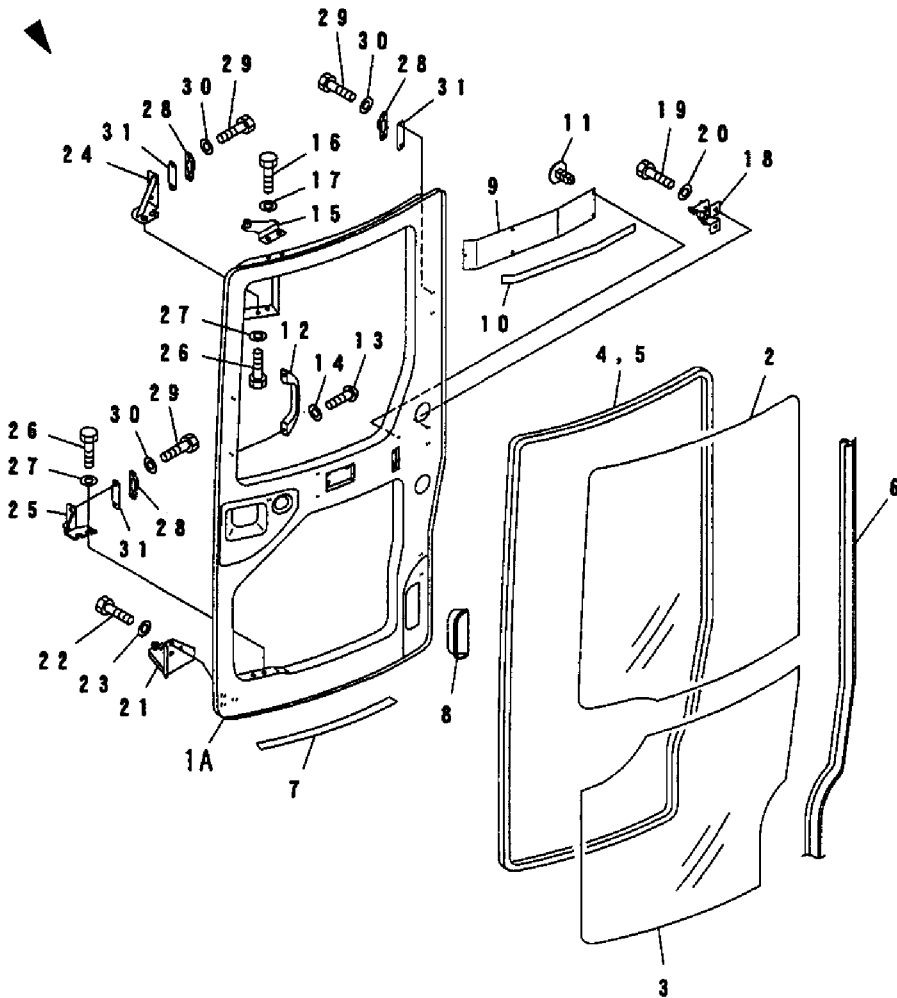
Fig. 49 キャビンドア (1) CABIN DOOR (1)

キャビンASSY
CABIN ASSY
(18290)-32970)

- Fig. 48 REF. No. 1
inc. Fig. 48 REF. No. (1) ~ 26
Fig. 49 REF. No. 1 ~ 31
Fig. 50 REF. No. 1 ~ 21
Fig. 51 REF. No. 1 ~ 26
Fig. 52 REF. No. 1 ~ 35
Fig. 53 REF. No. 1 ~ 12
Fig. 54 REF. No. 1 ~ 25
Fig. 55 REF. No. 1 ~ 2
Fig. 56 REF. No. 1 ~ 9
Fig. 57 REF. No. 1 ~ 5
Fig. 58 REF. No. 1 ~ 3
Fig. 59 REF. No. 1 ~ 3

ドアASSY
DOOR ASSY

- (18290)-39850)
Fig. 49 REF. No. 1
inc. Fig. 49 REF. No. 1A ~ 31
Fig. 50 REF. No. 1 ~ 21



1,3,,182901-40280,,PLATE,1,,,,,,,,,,,,,
2,3,,182901-29350,,BOLT,4,,,,,,,,,,,,,
3,3,,182901-40070,,HANDLE,2,,,,,,,,,,,,,
4,3,,953KM0-00179,,NUT,4,,,,,,,,,,,,,
5,3,,182901-40130,, "REMOTE CONTROL ASS'Y",1,,,,,,,,,,,,,
6,3,,182900-33760,,SCREW,3,,,,,,,,,,,,,
7,3,,953KM0-00220,,WASHER,3,,,,,,,,,,,,,
8,3,,182901-40140,, "LINK ASS'Y",1,,,,,,,,,,,,,
9,3,,182900-33760,,SCREW,2,,,,,,,,,,,,,
10,3,,953KM0-00220,,WASHER,2,,,,,,,,,,,,,
11,3,,182900-41630,, "LOCK ASS'Y",2,,,,,,,,,,,,,
12,3,,182900-67950,,BOLT,4,,,,,,,,,,,,,
13,3,,953KM0-00220,,WASHER,4,,,,,,,,,,,,,
14,3,,182901-39950,,ROD,1,,,,,,,,,,,,,
15,3,,182901-39960,,ROD,1,,,,,,,,,,,,,
16,3,,182901-39970,,ROD,1,,,,,,,,,,,,,
17,3,,182901-39980,,ROD,1,,,,,,,,,,,,,
18,3,,182901-39990,,ROD,1,,,,,,,,,,,,,
19,3,,182901-40000,,ROD,1,,,,,,,,,,,,,
20,3,,182900-41980,,SNAP,12,,,,,,,,,,,,,
21,3,,182900-41950,, "LOCK ASS'Y",1,,,,,,,,,,,,,

Fig. 50 キャビンドア (2) CABIN DOOR (2)

キャビンASSY

CABIN ASSY

(182901-32970)

Fig. 48 REF. No. 1

- inc. Fig. 48 REF. No. (1) ~ 26
- Fig. 49 REF. No. 1 ~ 31
- Fig. 50 REF. No. 1 ~ 21
- Fig. 51 REF. No. 1 ~ 26
- Fig. 52 REF. No. 1 ~ 35
- Fig. 53 REF. No. 1 ~ 12
- Fig. 54 REF. No. 1 ~ 25
- Fig. 55 REF. No. 1 ~ 2
- Fig. 56 REF. No. 1 ~ 9
- Fig. 57 REF. No. 1 ~ 5
- Fig. 58 REF. No. 1 ~ 3
- Fig. 59 REF. No. 1 ~ 3

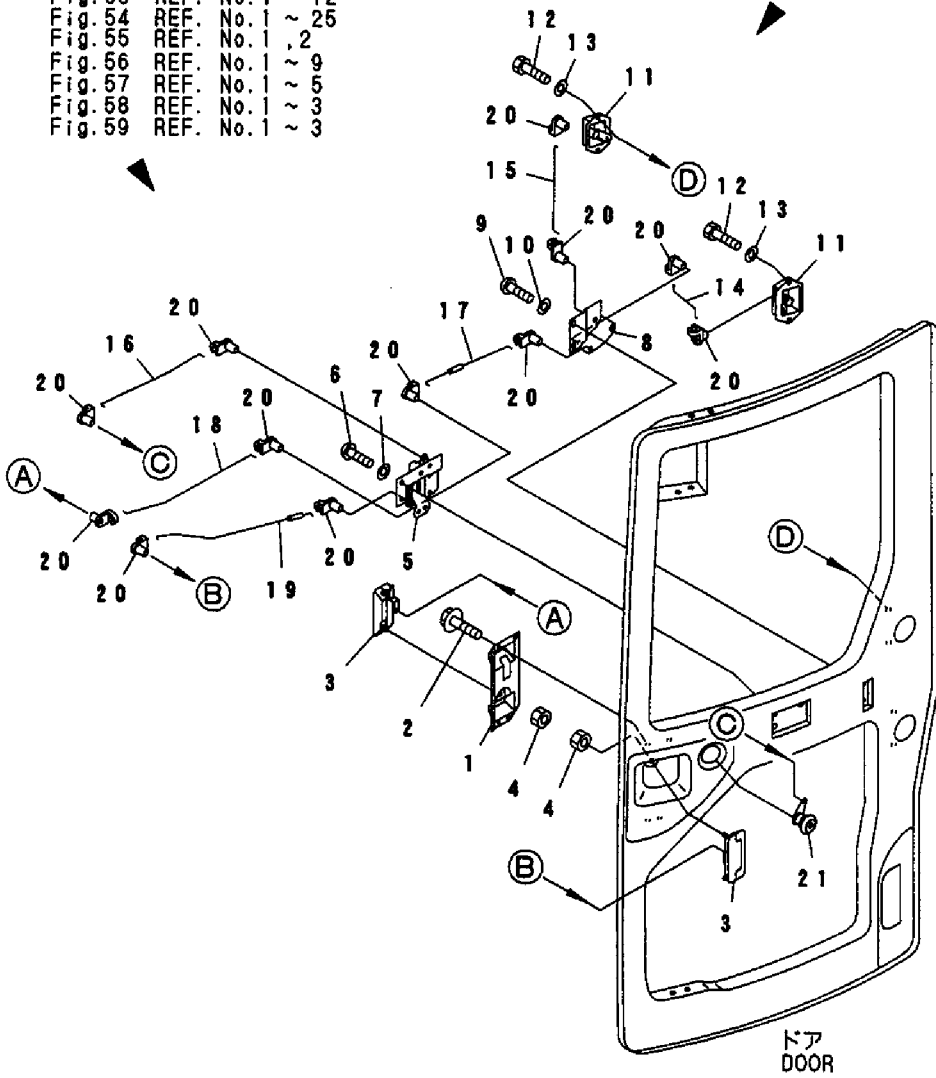
ドアASSY

DOOR ASSY

(182901-39850)

Fig. 49 REF. No. 1

- inc. Fig. 49 REF. No. 1A ~ 31
- Fig. 50 REF. No. 1 ~ 21



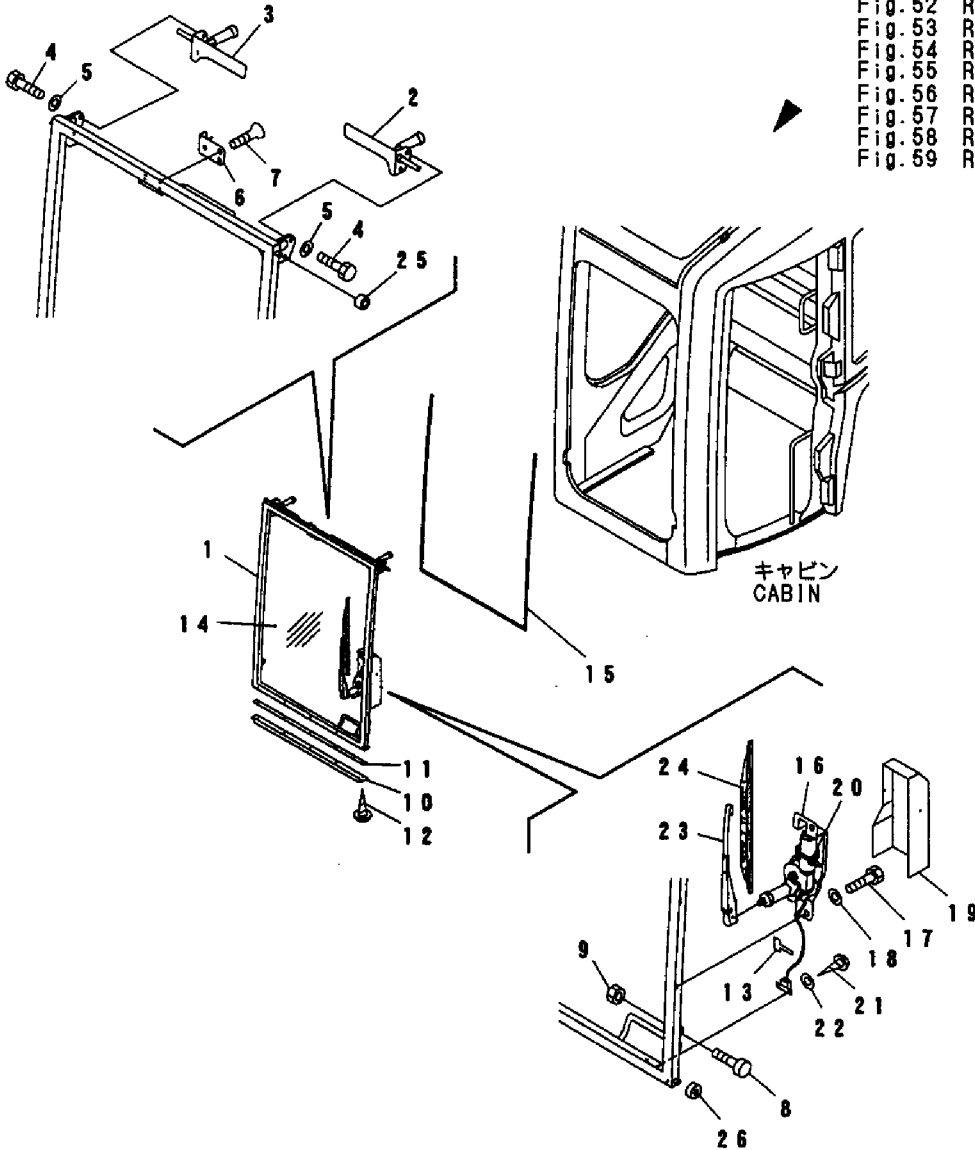
1,2,,182901-34540,,FRAME,1,,,,,,,,,,,,,
2,2,,182901-40080,, "LATCH ASS'Y",1,,,,,,,,,,,,,
3,2,,182901-40090,, "LATCH ASS'Y",1,,,,,,,,,,,,,
4,2,,182900-41640,,BOLT,4,,,,,,,,,,,,,
5,2,,182900-33890,,WASHER,4,,,,,,,,,,,,,
6,2,,182900-41610,,STRIKER,1,,,,,,,,,,,,,
7,2,,182900-41590,,SCREW,3,,,,,,,,,,,,,
8,2,,182900-41600,,STOPPER,2,,,,,,,,,,,,,
9,2,,182900-35530,,NUT,2,,,,,,,,,,,,,
10,2,,182901-37690,,SEAL,1,,,,,,,,,,,,,
11,2,,182901-37660,,PLATE,1,,,,,,,,,,,,,
12,2,,182900-33830,,SCREW,5,,,,,,,,,,,,,
13,2,,182900-22090,,CLIP,1,,,,,,,,,,,,,
14,2,,182901-37670,,GLASS,1,,,,,,,,,,,,,
15,2,,182900-37890,,DAM,1,,,,,,,,,,,,,
16,2,,182901-06380,, "WIPER ASS'Y",1,,,,,,,,,,,,,
17,2,,182900-67990,,BOLT,2,,,,,,,,,,,,,
18,2,,182900-33900,,WASHER,2,,,,,,,,,,,,,
19,2,,182901-40580,,COVER,1,,,,,,,,,,,,,
20,2,,182900-68360,,BAND,1,,,,,,,,,,,,,
21,2,,182900-14010,,SCREW,2,,,,,,,,,,,,,
22,2,,182900-14080,,WASHER,2,,,,,,,,,,,,,
23,2,,182901-37750,,ARM,1,,,,,,,,,,,,,
24,2,,182900-38130,,BLADE,1,,,,,,,,,,,,,
25,2,,182900-35480,,ROLLER,2,,,,,,,,,,,,,
26,2,,182900-35490,,ROLLER,2,,,,,,,,,,,,,

Fig. 51 ワイパー&電装品 WIPER & ELECTRIC PART

キャビンASSY
CABIN ASSY
(182901-32970)

Fig. 48 REF. No. 1

inc.	Fig. 48	REF. No. (1)	~ 26
	Fig. 49	REF. No. 1	~ 31
	Fig. 50	REF. No. 1	~ 21
	Fig. 51	REF. No. 1	~ 26
	Fig. 52	REF. No. 1	~ 35
	Fig. 53	REF. No. 1	~ 12
	Fig. 54	REF. No. 1	~ 25
	Fig. 55	REF. No. 1	~ 2
	Fig. 56	REF. No. 1	~ 9
	Fig. 57	REF. No. 1	~ 5
	Fig. 58	REF. No. 1	~ 3
	Fig. 59	REF. No. 1	~ 3



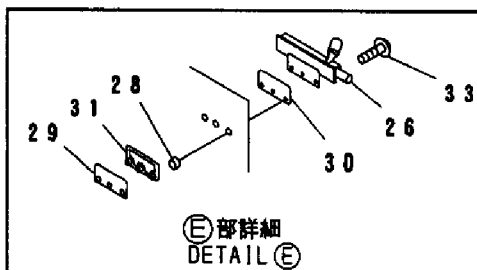
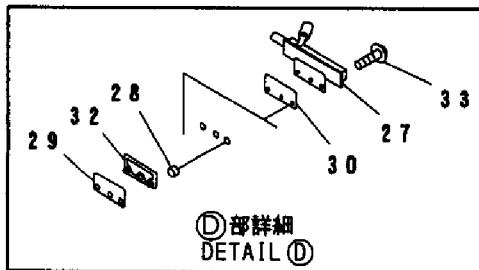
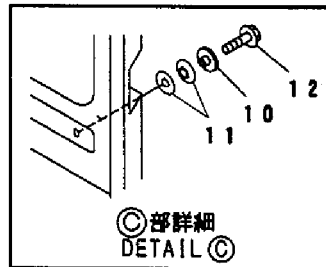
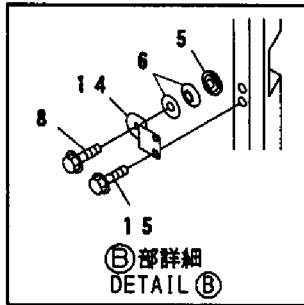
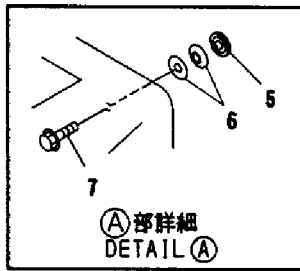
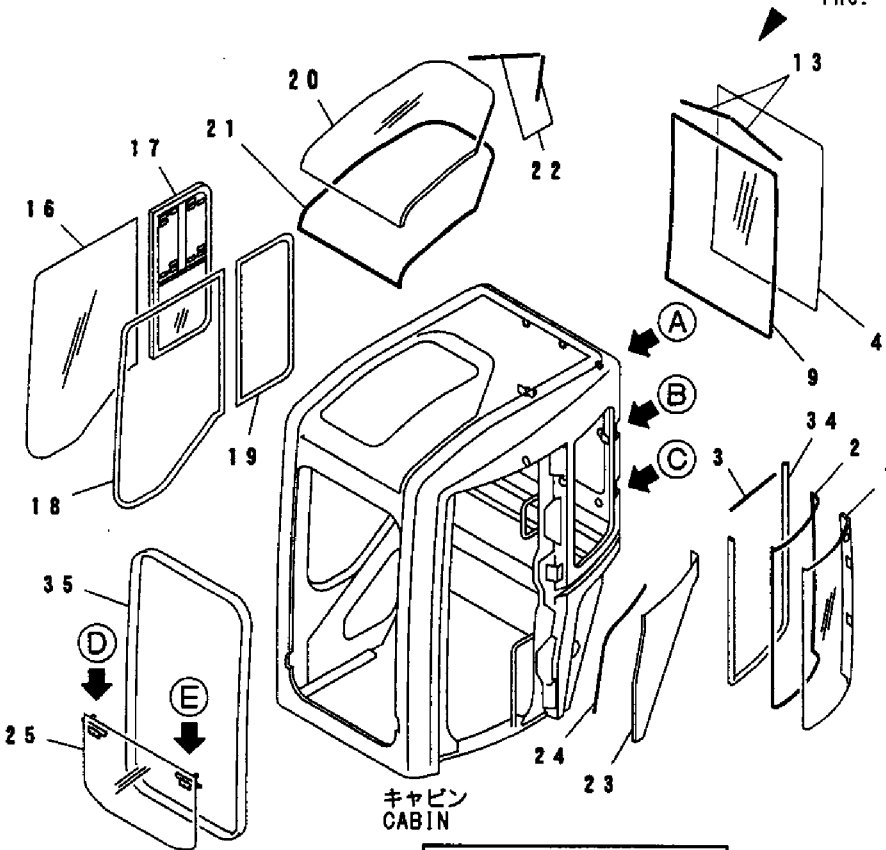
1,2,,182901-40170,,WINDOW,1,,,,,,,,,,,,,
2,2,,182901-40180,,DAM,1,,,,,,,,,,,,,
3,2,,182901-40190,,DAM,3,,,,,,,,,,,,,
4,2,,182901-37700,,GLASS,1,,,,,,,,,,,,,
5,2,,182901-30770,,NUT,5,,,,,,,,,,,,,
6,2,,182901-30780,,GROMMET,10,,,,,,,,,,,,,
7,2,,182901-29360,,BOLT,3,,,,,,,,,,,,,
8,2,,182901-29350,,BOLT,2,,,,,,,,,,,,,
9,2,,182901-39630,,SEAL,1,,,,,,,,,,,,,
10,2,,182901-39660,,BOSS,3,,,,,,,,,,,,,
11,2,,182901-30780,,GROMMET,6,,,,,,,,,,,,,
12,2,,182901-29370,,BOLT,3,,,,,,,,,,,,,
13,2,,182901-40190,,DAM,2,,,,,,,,,,,,,
14,2,,182901-39640,,PLATE,2,,,,,,,,,,,,,
15,2,,182901-29340,,BOLT,4,,,,,,,,,,,,,
16,2,,182901-37720,,GLASS,1,,,,,,,,,,,,,
17,2,,182901-37770,, "SASH ASS'Y",1,,,,,,,,,,,,,
18,2,,182901-37730,, "WEATHER STRIP",1,,,,,,,,,,,,,
19,2,,182901-37740,, "WEATHER STRIP",1,,,,,,,,,,,,,
20,2,,182901-37710,, "CLEAR PLATE",1,,,,,,,,,,,,,
21,2,,182901-40200,,DAM,1,,,,,,,,,,,,,
22,2,,182901-40190,,DAM,1,,,,,,,,,,,,,
23,2,,182901-39760,,COVER,1,,,,,,,,,,,,,
24,2,,182900-38230,,DAM,1,,,,,,,,,,,,,
25,2,,182901-37820,,GLASS,1,,,,,,,,,,,,,
26,2,,182901-40100,,LATCH,1,,,,,,,,,,,,,
27,2,,182901-40110,,LATCH,1,,,,,,,,,,,,,
28,2,,182900-16290,,PACKING,6,,,,,,,,,,,,,
29,2,,182900-16320,,PACKING,2,,,,,,,,,,,,,
30,2,,182900-26400,,PACKING,2,,,,,,,,,,,,,
31,2,,182900-16270,,RETAINER,1,,,,,,,,,,,,,
32,2,,182900-16280,,RETAINER,1,,,,,,,,,,,,,
33,2,,182900-13900,,SCREW,6,,,,,,,,,,,,,
34,2,,182900-41940,,TRIM,1,,,,,,,,,,,,,
35,2,,182900-37960,,SEAL,1,,,,,,,,,,,,,

Fig. 52 キャビン窓 CABIN SASH

キャビンASSY
CABIN ASSY
(182901-32970)

Fig. 48 REF. No. 1

inc. Fig. 48	REF. No. (1) ~	26
Fig. 49	REF. No. 1 ~	31
Fig. 50	REF. No. 1 ~	21
Fig. 51	REF. No. 1 ~	26
Fig. 52	REF. No. 1 ~	35
Fig. 53	REF. No. 1 ~	12
Fig. 54	REF. No. 1 ~	25
Fig. 55	REF. No. 1 ~	2
Fig. 56	REF. No. 1 ~	9
Fig. 57	REF. No. 1 ~	5
Fig. 58	REF. No. 1 ~	3
Fig. 59	REF. No. 1 ~	3



1,2,,182901-37760,,LINING,1,,,,,,,,,,,,,
2,2,,182901-40600,,BUTTON,14,,,,,,,,,,,,,
3,2,,182901-37810,,PLATE,1,,,,,,,,,,,,,
4,2,,182901-29350,,BOLT,8,,,,,,,,,,,,,
5,2,,182901-40370,,SPACER,2,,,,,,,,,,,,,
6,2,,182901-29170,,SCREW,8,,,,,,,,,,,,,
7,2,,182901-29390,,NUT,8,,,,,,,,,,,,,
8,2,,182901-40220,,COVER,1,,,,,,,,,,,,,
9,2,,182901-29180,,SCREW,3,,,,,,,,,,,,,
10,2,,182901-40340,,TRIM,2,,,,,,,,,,,,,
11,2,,182900-04640,,CAP,1,,,,,,,,,,,,,
12,2,,953KM0-00565,,GROMMET,1,,,,,,,,,,,,,

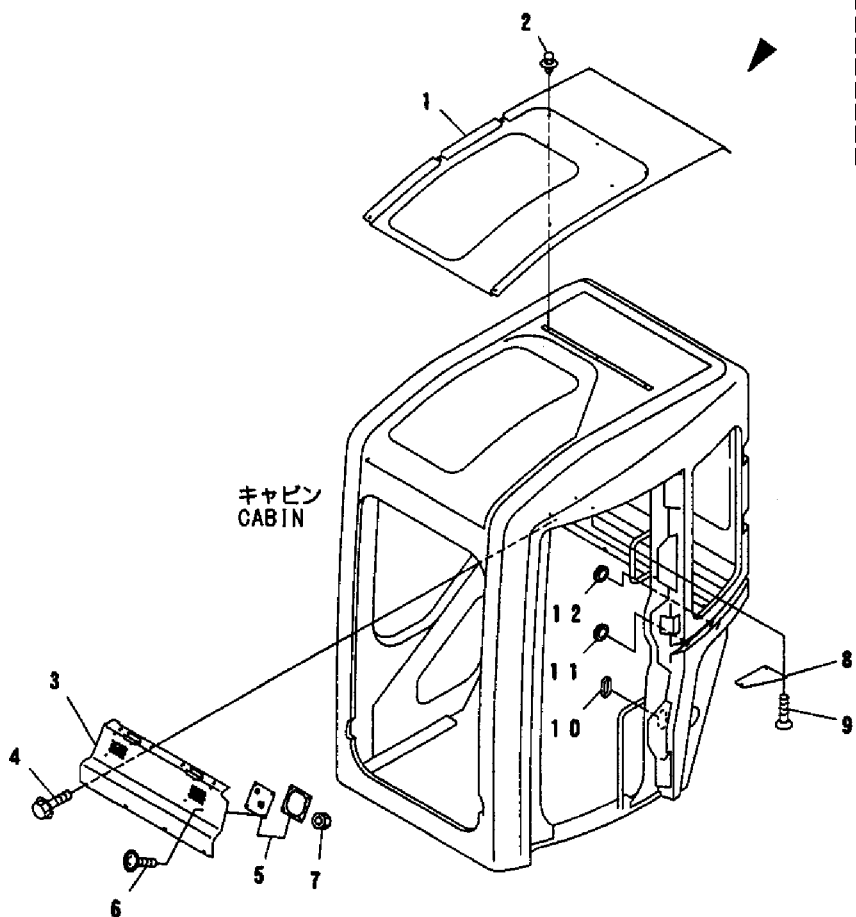
Fig. 53 キャビンルーフ CABIN ROOF

キャビンASSY

CABIN ASSY
(182901-32970)

Fig. 48 REF. No. 1

inc.	Fig. 48	REF. No. (1)	~ 26
	Fig. 49	REF. No. 1	~ 31
	Fig. 50	REF. No. 1	~ 21
	Fig. 51	REF. No. 1	~ 26
	Fig. 52	REF. No. 1	~ 35
	Fig. 53	REF. No. 1	~ 12
	Fig. 54	REF. No. 1	~ 25
	Fig. 55	REF. No. 1	~ 2
	Fig. 56	REF. No. 1	~ 9
	Fig. 57	REF. No. 1	~ 5
	Fig. 58	REF. No. 1	~ 3
	Fig. 59	REF. No. 1	~ 3



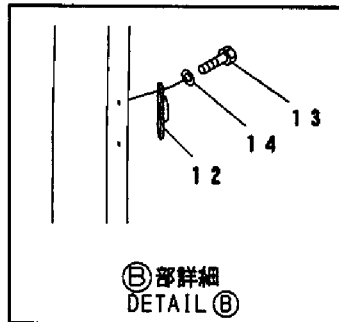
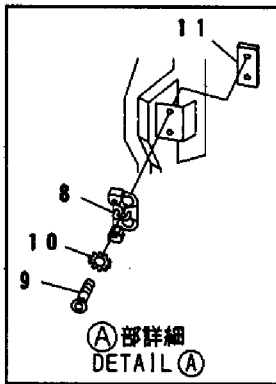
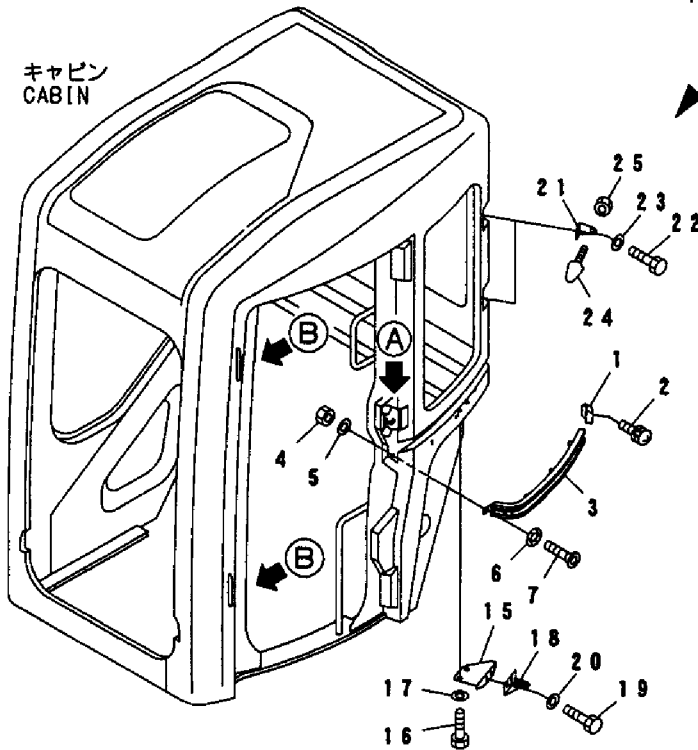
1,2,,182901-40160,,COVER,1,,,,,,,,,,,,,
2,2,,182901-29190,,SCREW,1,,,,,,,,,,,,,
3,2,,182901-39890,,RAIL,1,,,,,,,,,,,,,
4,2,,182901-29380,,NUT,4,,,,,,,,,,,,,
5,2,,182900-33890,,WASHER,4,,,,,,,,,,,,,
6,2,,182901-40400,,PACKING,4,,,,,,,,,,,,,
7,2,,182900-41590,,SCREW,1,,,,,,,,,,,,,
8,2,,182900-41960,,STRIKER,1,,,,,,,,,,,,,
9,2,,182900-41580,,SCREW,2,,,,,,,,,,,,,
10,2,,182900-38300,,WASHER,2,,,,,,,,,,,,,
11,2,,182900-37970,,PLATE,1,,,,,,,,,,,,,
12,2,,182900-38370,,STRIKER,6,,,,,,,,,,,,,
13,2,,182900-67950,,BOLT,12,,,,,,,,,,,,,
14,2,,953KM0-00211,,WASHER,12,,,,,,,,,,,,,
15,2,,182901-39870,,BRACKET,1,,,,,,,,,,,,,
16,2,,182900-33600,,BOLT,2,,,,,,,,,,,,,
17,2,,182900-33890,,WASHER,2,,,,,,,,,,,,,
18,2,,182901-40050,,STRIKER,1,,,,,,,,,,,,,
19,2,,182900-33600,,BOLT,2,,,,,,,,,,,,,
20,2,,182900-33890,,WASHER,2,,,,,,,,,,,,,
21,2,,182900-38400,,BRACKET,2,,,,,,,,,,,,,
22,2,,182900-38310,,BOLT,4,,,,,,,,,,,,,
23,2,,182900-33880,,WASHER,4,,,,,,,,,,,,,
24,2,,182900-38410,,STOPPER,2,,,,,,,,,,,,,
25,2,,182900-38320,,NUT,4,,,,,,,,,,,,,

Fig. 54 ドアキャッチ (キャビン) DOOR CATCH (CABIN)

キャビンASSY
CABIN ASSY
(182901-32970)
Fig. 48 REF. No. 1

inc. Fig. 48	REF. No. (1) ~ 26
Fig. 49	REF. No. 1 ~ 31
Fig. 50	REF. No. 1 ~ 21
Fig. 51	REF. No. 1 ~ 26
Fig. 52	REF. No. 1 ~ 35
Fig. 53	REF. No. 1 ~ 12
Fig. 54	REF. No. 1 ~ 25
Fig. 55	REF. No. 1 ~ 2
Fig. 56	REF. No. 1 ~ 9
Fig. 57	REF. No. 1 ~ 5
Fig. 58	REF. No. 1 ~ 3
Fig. 59	REF. No. 1 ~ 3

キャビン
CABIN



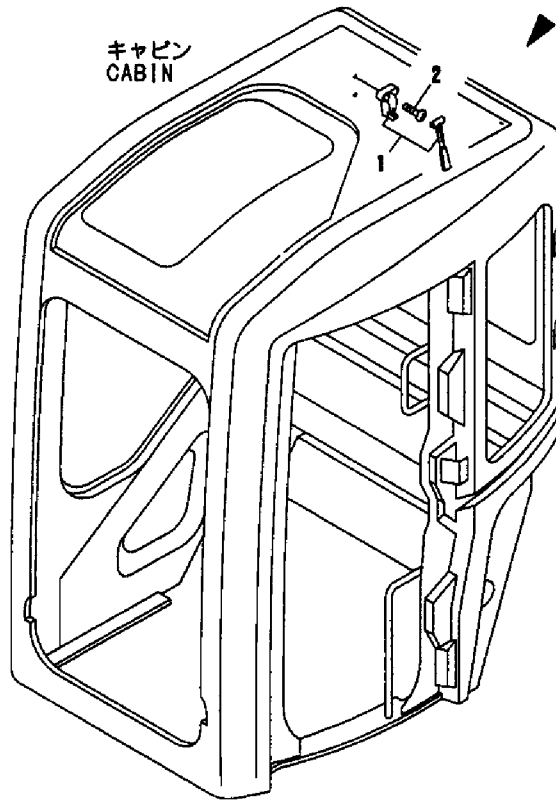
1,2,,182901-31380,,HAMMER,1,,,,,,,,,,,,,
2,2,,182900-49520,,SCREW,2,,,,,,,,,,,,,

Fig. **55** ハンマー (キャビン)
HAMMER (CABIN)

キャビンASSY
CABIN ASSY
(182901-32970)

Fig. 48 REF. No. 1

inc.	Fig. 48	REF. No. (1)	~ 26
	Fig. 49	REF. No. 1	~ 31
	Fig. 50	REF. No. 1	~ 21
	Fig. 51	REF. No. 1	~ 26
	Fig. 52	REF. No. 1	~ 35
	Fig. 53	REF. No. 1	~ 12
	Fig. 54	REF. No. 1	~ 25
	Fig. 55	REF. No. 1, 2	
	Fig. 56	REF. No. 1	~ 9
	Fig. 57	REF. No. 1	~ 5
	Fig. 58	REF. No. 1	~ 3
	Fig. 59	REF. No. 1	~ 3

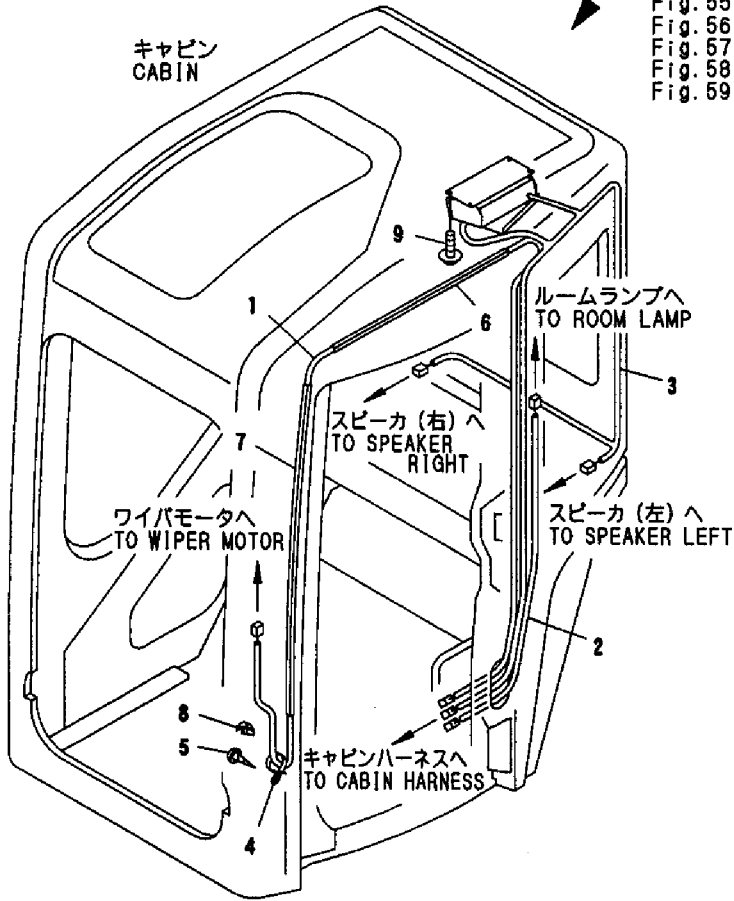


1,2,,182901-40310,, "WIRING HARNESS",1,,,,,,,,,,,,,,,,,,,,,
2,2,,182901-40320,, "WIRING HARNESS",1,,,,,,,,,,,,,,,,,,,,,
3,2,,182901-40300,, "WIRING HARNESS",1,,,,,,,,,,,,,,,,,,,,,
4,2,,182901-40270,, BAND,1,,,,,,,,,,,,,,,,,,,,,
5,2,,182901-29320,, SCREW,1,,,,,,,,,,,,,,,,,,,,,
6,2,,182901-40150,, DUCT,1,,,,,,,,,,,,,,,,,,,,,
7,2,,182901-40410,, DUCT,1,,,,,,,,,,,,,,,,,,,,,
8,2,,182901-39620,, CLIP,1,,,,,,,,,,,,,,,,,,,,,
9,2,,182901-29180,, SCREW,4,,,,,,,,,,,,,,,,,,,,,

Fig. 56 ワイヤリング (キャビン) WIRING (CABIN)

キャビン ASSY
CABIN ASSY
(182901-32970)
Fig. 48 REF. No. 1
inc.

Fig. 48	REF. No. (1) ~ 26
Fig. 49	REF. No. 1 ~ 31
Fig. 50	REF. No. 1 ~ 21
Fig. 51	REF. No. 1 ~ 26
Fig. 52	REF. No. 1 ~ 35
Fig. 53	REF. No. 1 ~ 12
Fig. 54	REF. No. 1 ~ 25
Fig. 55	REF. No. 1, 2
Fig. 56	REF. No. 1 ~ 9
Fig. 57	REF. No. 1 ~ 5
Fig. 58	REF. No. 1 ~ 3
Fig. 59	REF. No. 1 ~ 3



1,2,,182900-16550,, "NOZZLE ASS'Y",1,,,,,,,,,,,,,,,,,,,,,
2,2,,182900-41880,, NUT,1,,,,,,,,,,,,,,,,,,,,,
3,2,,182900-16570,, HOSE,1,,,,,,,,,,,,,,,,,,,,,
4,2,,182901-29160,, SCREW,2,,,,,,,,,,,,,,,,,,,,,
5,2,,182900-86350,, BRACKET,1,,,,,,,,,,,,,,,,,,,,,

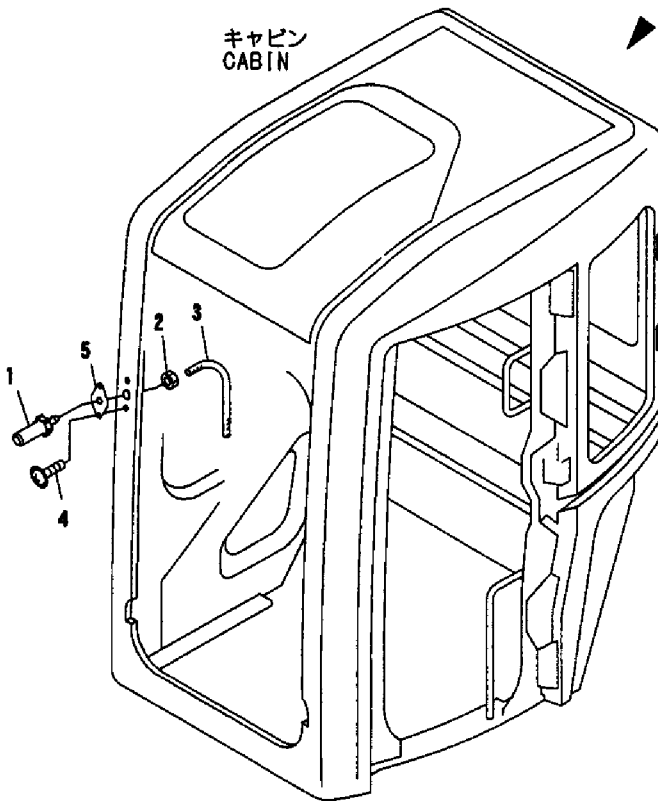
Fig. 57 ウインドウオッシャ (キャビン) WINDOW WASHER (CABIN)

キャビン ASSY

CABIN ASSY
(182901-32970)

Fig. 48 REF. No. 1

inc.	Fig. 48	REF.	No. (1)	~ 26
	Fig. 49	REF.	No. 1	~ 31
	Fig. 50	REF.	No. 1	~ 21
	Fig. 51	REF.	No. 1	~ 26
	Fig. 52	REF.	No. 1	~ 35
	Fig. 53	REF.	No. 1	~ 12
	Fig. 54	REF.	No. 1	~ 25
	Fig. 55	REF.	No. 1	~ 2
	Fig. 56	REF.	No. 1	~ 9
	Fig. 57	REF.	No. 1	~ 5
	Fig. 58	REF.	No. 1	~ 3
	Fig. 59	REF.	No. 1	~ 3



1,2,,182900-14570,,LAMP,1,,,,,,,,,,,,,
2,2,,182900-24400,,SCREW,2,,,,,,,,,,,,,
3,2,,182900-14080,,WASHER,2,,,,,,,,,,,,,

Fig. 58 ランプ (キャビン) LAMP (CABIN)

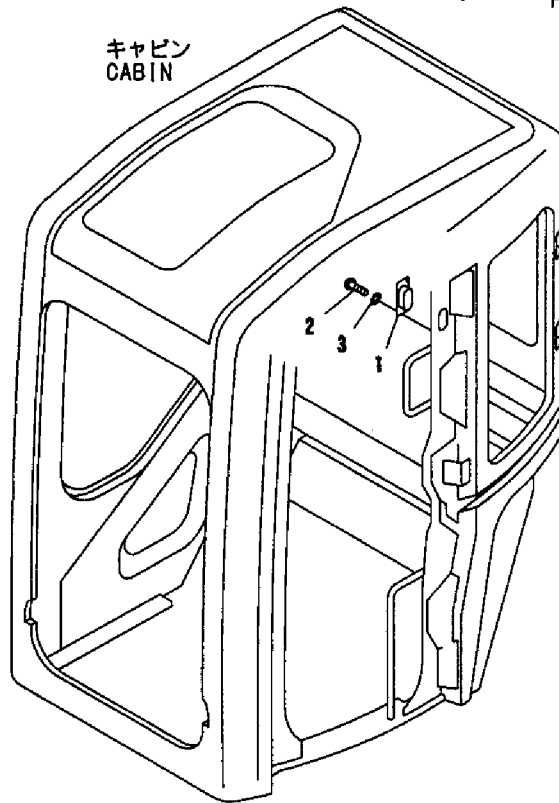
キャビンASSY
CABIN ASSY

(182901-32970)

Fig. 48 REF. No. 1

inc.	Fig. 48	REF.	No. (1)	~ 26
	Fig. 49	REF.	No. 1	~ 31
	Fig. 50	REF.	No. 1	~ 21
	Fig. 51	REF.	No. 1	~ 26
	Fig. 52	REF.	No. 1	~ 35
	Fig. 53	REF.	No. 1	~ 12
	Fig. 54	REF.	No. 1	~ 25
	Fig. 55	REF.	No. 1	~ 2
	Fig. 56	REF.	No. 1	~ 9
	Fig. 57	REF.	No. 1	~ 5
	Fig. 58	REF.	No. 1	~ 3
	Fig. 59	REF.	No. 1	~ 3

キャビン
CABIN



1,2,,182900-54890,,GLIP,1,,,,,,,,,,,,,
2,2,,182900-49790,,BOLT,2,,,,,,,,,,,,,
3,2,,953KM0-00225,,WASHER,2,,,,,,,,,,,,,

Fig. 59 ハンドル (キャビン) HANDLE (CABIN)

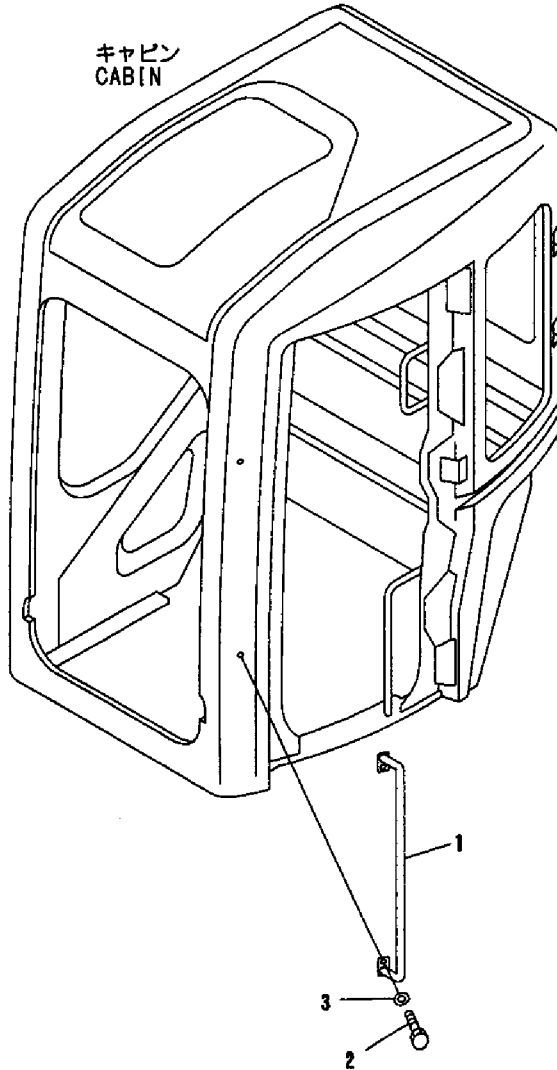
キャビンASSY
CABIN ASSY

(182901-32970)

Fig. 48 REF. No. 1

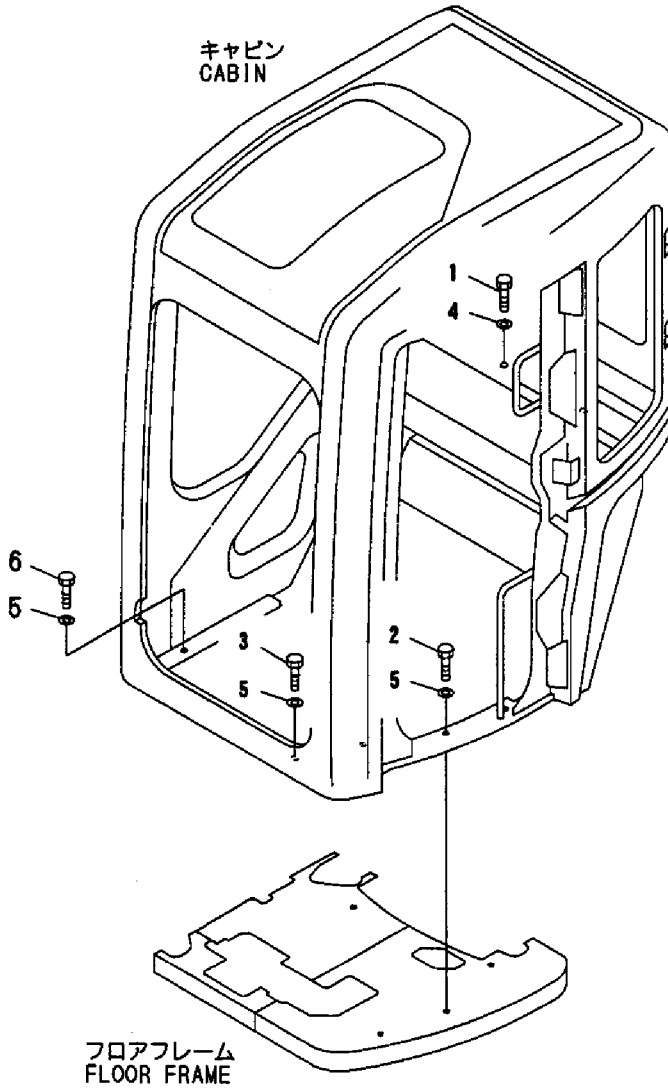
inc.	Fig. 48	REF.	No. (1)	~ 26
	Fig. 49	REF.	No. 1	~ 31
	Fig. 50	REF.	No. 1	~ 21
	Fig. 51	REF.	No. 1	~ 26
	Fig. 52	REF.	No. 1	~ 35
	Fig. 53	REF.	No. 1	~ 12
	Fig. 54	REF.	No. 1	~ 25
	Fig. 55	REF.	No. 1, 2	
	Fig. 56	REF.	No. 1	~ 9
	Fig. 57	REF.	No. 1	~ 5
	Fig. 58	REF.	No. 1	~ 3
	Fig. 59	REF.	No. 1	~ 3

キャビン
CABIN



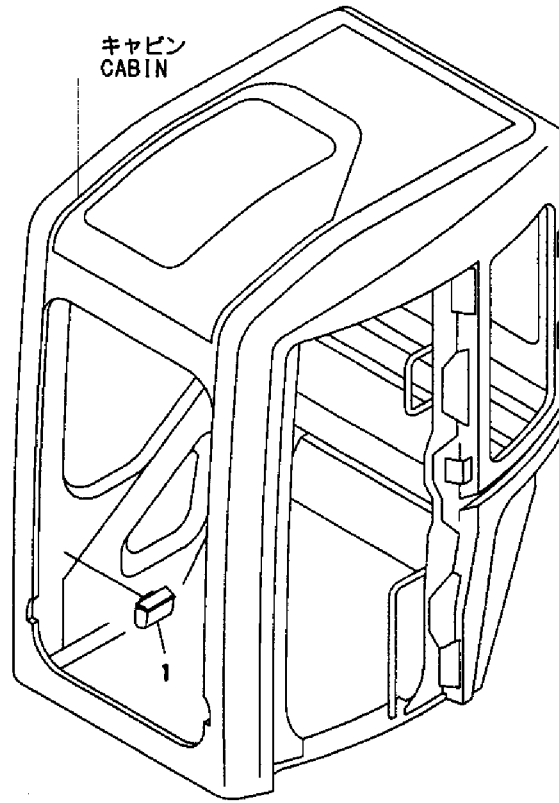
1,1,,182900-68120,,BOLT,2,,,,,,,,,,,,,,,,,,,,,
2,1,,182901-29010,,BOLT,5,,,,,,,,,,,,,,,,,,,,,
3,1,,182901-29020,,BOLT,2,,,,,,,,,,,,,,,,,,,,,
4,1,,953KM0-00048,,WASHER,2,,,,,,,,,,,,,,,,,,,,,
5,1,,182900-33900,,WASHER,7,,,,,,,,,,,,,,,,,,,,,
6,1,,182901-50130,,BOLT,2,,,,,,,,,,,,,,,,,,,,,I

Fig. 60 キャビンマウント
CABIN MOUNT



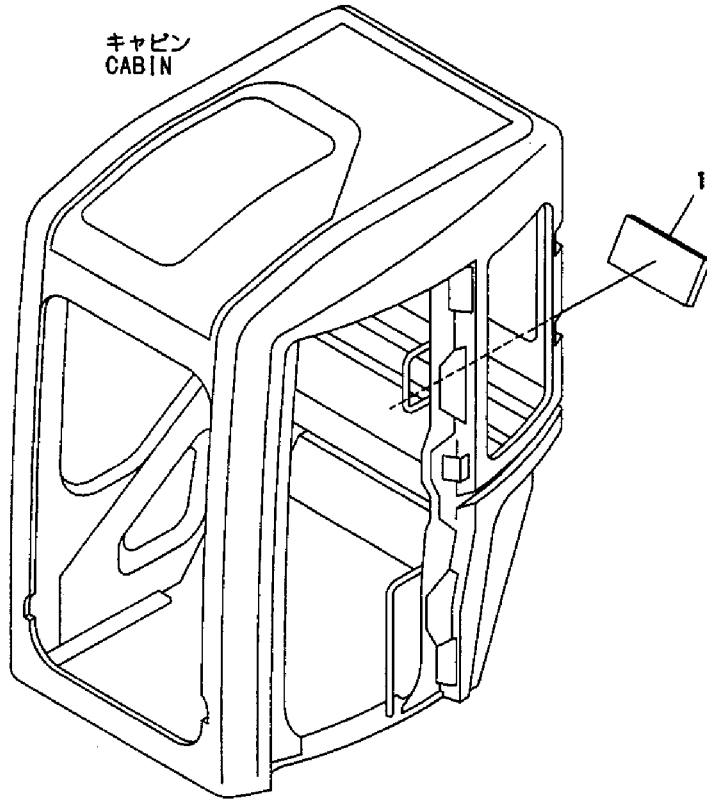
1,1,,182901-31370,,ASHTRAY,1,,,,,,,,,,,,,,,,,,,,,

Fig. **61** 灰皿 (キャビン)
ASHTRAY (CABIN)



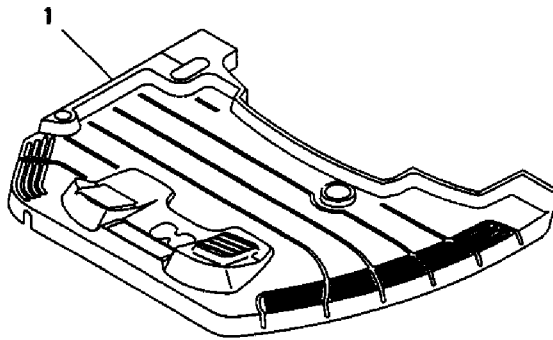
1,1,,182901-34560,,SHEET,1,,,,,,,,,,,,,,,,,,,,,

Fig. 62 シート (キャビン)
SHEET (CABIN)



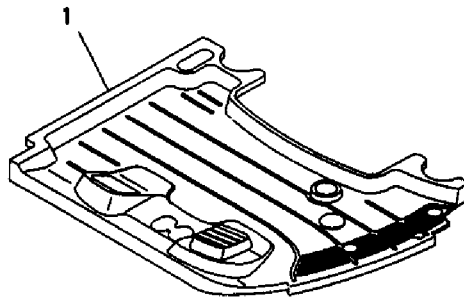
1,1,,182901-33440,, "FLOOR MAT",1,,,,,,,,,,,,,,,,,,,,,

Fig. **63** フロアマット (キャノピ)
FLOOR MAT (CANOPY)



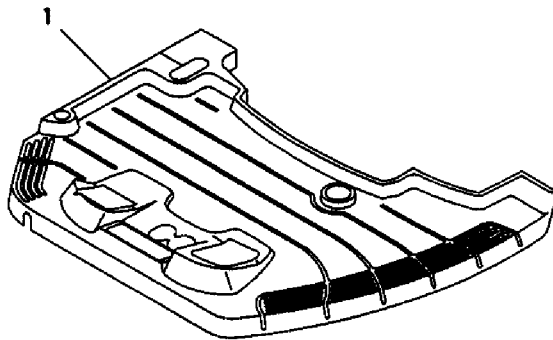
1,1,,182901-34330,, "FLOOR MAT",1,,,,,,,,,,,,,,,,,,,,,

Fig. **64** フロアマット (キャビン)
FLOOR MAT (CABIN)



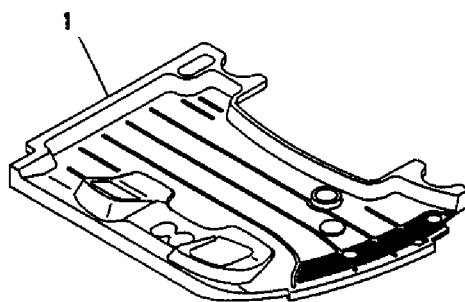
1,1,,182901-36830,, "FLOOR MAT",1,,,,,,,,,,,,,,,,,,,,,

Fig. **65** フロアマット (1アクチュエータアタッチメント, キャノピ)
FLOOR MAT (1-ACTUATER ATTACHMENT, CANOPY)



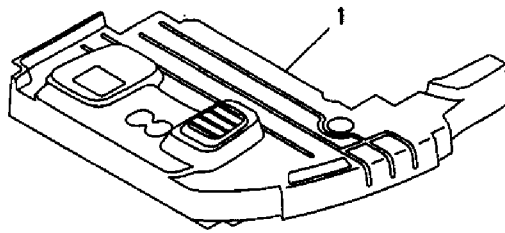
1,1,,182901-37090,, "FLOOR MAT",1,,,,,,,,,,,,,,,,,,,,,

Fig. **66** フロアマット (1アクチュエータアタッチメント, キャビン)
FLOOR MAT (1-ACTUATOR ATTACHMENT, CABIN)



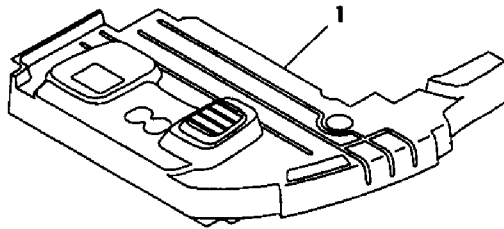
1,1,,182901-37500,, "FLOOR MAT",1,,,,,,,,,,,,,,,,,,,,,

Fig. **67** フロアマット (エアコン)
FLOOR MAT (AIR CON)



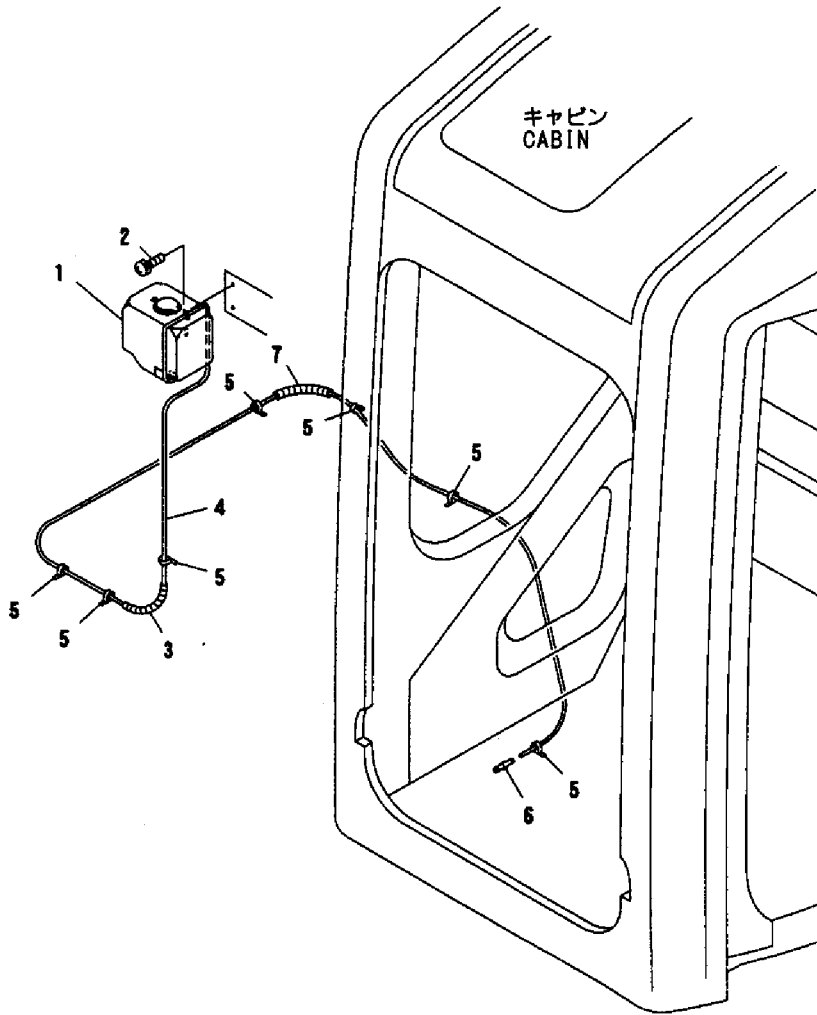
1,1,,182901-37510,, "FLOOR MAT",1,,,,,,,,,,,,,,,,,,,,,

Fig. **68** フロアマット (1アクチュエータアタッチメント, エアコン)
FLOOR MAT (1-ACTUATER ATTACHMENT, AIR CON)



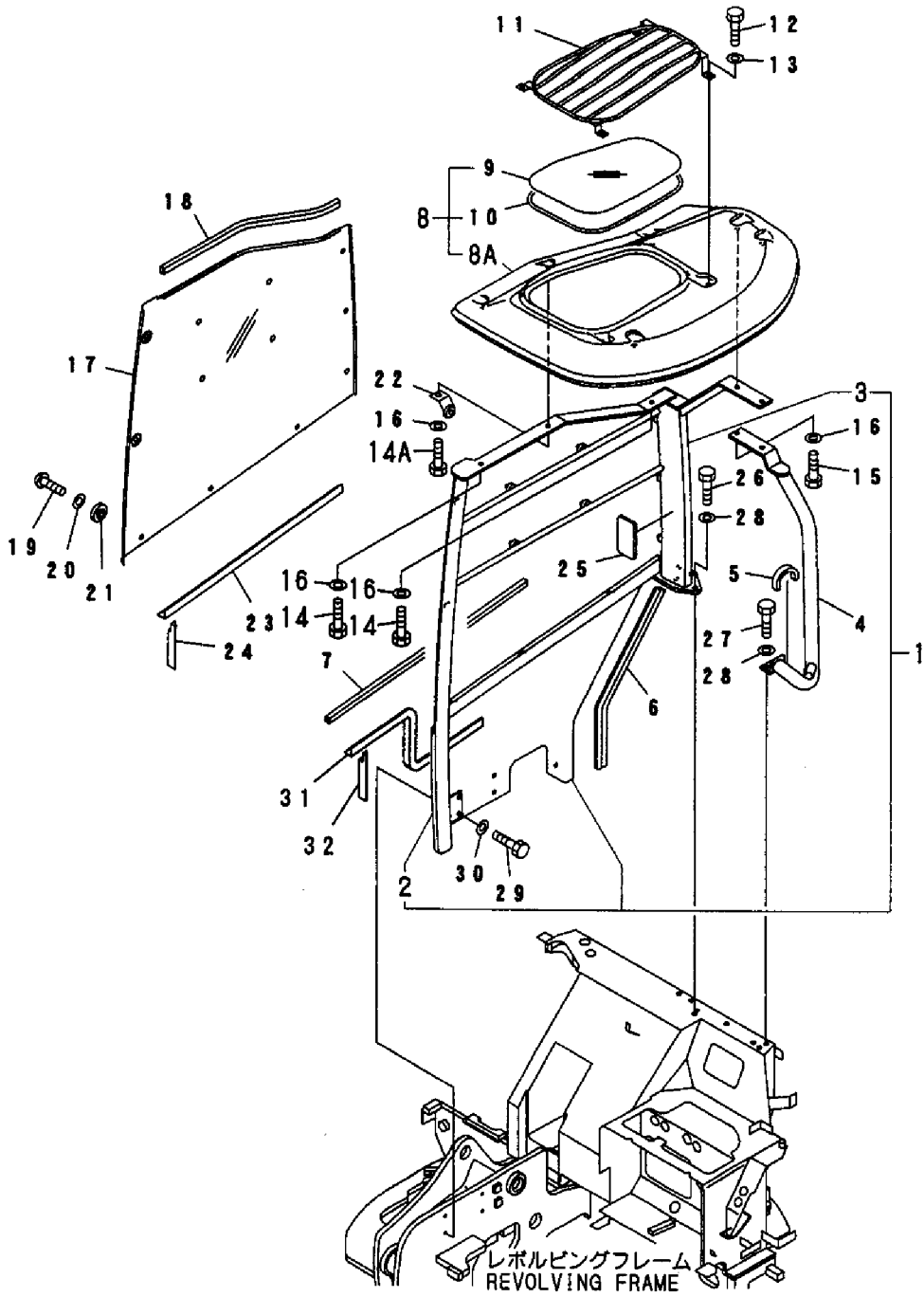
1,1,,182900-16340,, "WASHER TANK ASS'Y",1,,,,,,,,,,,,,,,,,,,,,
2,1,,182900-13880,, SCREW,2,,,,,,,,,,,,,,,,,,,,,
3,1,,182901-29890,, CONDUIT,1,,,,,,,,,,,,,,,,,,,,,
4,1,,182901-29830,, HOSE,1,,,,,,,,,,,,,,,,,,,,,
5,1,,182900-24960,, BAND,7,,,,,,,,,,,,,,,,,,,,,
6,1,,182900-83940,, VALVE,1,,,,,,,,,,,,,,,,,,,,,
7,1,,182901-29900,, CONDUIT,1,,,,,,,,,,,,,,,,,,,,,

Fig. 69 ウィンドウウォッシャタンク (キャビン)
WINDOW WASHER TANK (CABIN)



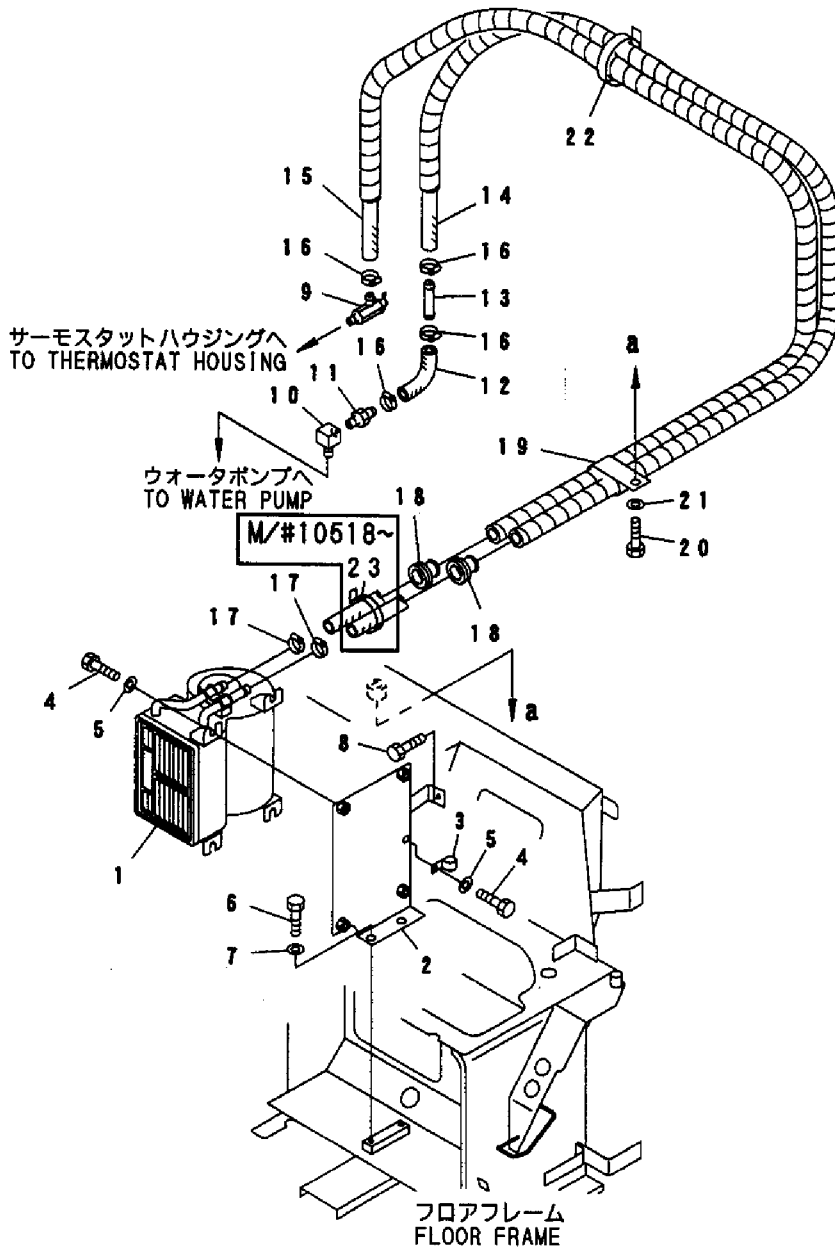
1,1,,182901-33810,,GUARD,1,,,,,,,,,,,,,
2,2,,182901-31970,,PIPE,1,,,,,,,,,,,,,
3,2,,182901-31980,,PIPE,1,,,,,,,,,,,,,
4,1,,182901-33050,,POLE,1,,,,,,,,,,,,,
5,1,,182901-33870,,CUSHION,1,,,,,,,,,,,,,
6,1,,182901-33840,,SEAL,1,,,,,,,,,,,,,
7,1,,182901-31960,,GARNISH,1,,,,,,,,,,,,,
8,1,,182901-34750,, "ROOF ASS'Y",1,,,,,,,,,,,,,
8A,2,,182901-31990,, "CANOPY ROOF",1,,,,,,,,,,,,,
9,2,,182901-23450,,PLATE,1,,,,,,,,,,,,,
10,2,,182901-33960,, "WEATHER STRIP",1,,,,,,,,,,,,,
11,1,,182901-33860,,GUARD,1,,,,,,,,,,,,,
12,1,,182901-28980,,BOLT,4,,,,,,,,,,,,,
13,1,,182900-33900,,WASHER,4,,,,,,,,,,,,,
14,1,,182901-28990,,BOLT,3,,,,,,,,,,,,,
14A,1,,182901-29000,,BOLT,2,,,,,,,,,,,,,I
15,1,,182901-29010,,BOLT,2,,,,,,,,,,,,,
16,1,,182900-33900,,WASHER,5,,,,,,,,,,,,,
17,1,,182901-33880,, "CLEAR PLATE",1,,,,,,,,,,,,,
18,1,,182901-23470,,GARNISH,1,,,,,,,,,,,,,
19,1,,182901-29230,,SCREW,13,,,,,,,,,,,,,
20,1,,182901-33940,,WASHER,13,,,,,,,,,,,,,
21,1,,182901-33890,,GROMMET,26,,,,,,,,,,,,,
22,1,,182901-33910,,BRACKET,1,,,,,,,,,,,,,
23,1,,182901-33060,,CUSHION,1,,,,,,,,,,,,,
24,1,,182901-33920,,CUSHION,1,,,,,,,,,,,,,
25,1,,182901-33930,,CUSHION,1,,,,,,,,,,,,,
26,1,,182901-29040,,BOLT,3,,,,,,,,,,,,,
27,1,,182901-29030,,BOLT,2,,,,,,,,,,,,,
28,1,,182900-49780,,WASHER,5,,,,,,,,,,,,,
29,1,,182901-29010,,BOLT,5,,,,,,,,,,,,,
30,1,,182900-33900,,WASHER,5,,,,,,,,,,,,,
32,1,,182901-33060,,CUSHION,1,,,,,,,,,,,,,I
33,1,,182901-33920,,CUSHION,1,,,,,,,,,,,,,I

Fig. 70 キャンピ
CANOPY



1,1,,182900-15940,, "HEATER ASS'Y",1,,,,,,,,,,,,,
2,1,,182901-37120,, BRACKET,1,,,,,,,,,,,,,
3,1,,182901-29500,, CLIP,1,,,,,,,,,,,,,
4,1,,182900-68000,, BOLT,5,,,,,,,,,,,,,
5,1,,953KM0-00222,, WASHER,5,,,,,,,,,,,,,
6,1,,182900-68000,, BOLT,2,,,,,,,,,,,,,
7,1,,953KM0-00222,, WASHER,2,,,,,,,,,,,,,
8,1,,182900-64830,, BOLT,1,,,,,,,,,,,,,
9,1,,182900-68380,, VALVE,1,,,,,,,,,,,,,
10,1,,182900-25220,, ELBOW,1,,,,,,,,,,,,,
11,1,,182900-26420,, NIPPLE,1,,,,,,,,,,,,,
12,1,,182901-30150,, HOSE,1,,,,,,,,,,,,,
13,1,,182900-25100,, CONNECTOR,1,,,,,,,,,,,,,
14,1,,182901-37140,, HOSE,1,,,,,,,,,,,,,
15,1,,182901-37150,, HOSE,1,,,,,,,,,,,,,
16,1,,182900-25060,, CLAMP,4,,,,,,,,,,,,,
17,1,,182901-30250,, CLAMP,2,,,,,,,,,,,,,
18,1,,182901-39550,, GROMMET,2,,,,,,,,,,,,,
19,1,,182901-40530,, CLIP,1,,,,,,,,,,,,,
20,1,,182900-67990,, BOLT,1,,,,,,,,,,,,,
20-1,1,,182900-64860,, BOLT,1,,,,,S,,*,M/#10518,,,,,,I
21,1,,953KM0-00222,, WASHER,1,,,,,,,,,,,,,
22,1,,182900-44660,, BAND,1,,,,,,,,,,,,,
23,1,,182900-68350,, BAND,1,,,,,W,,*,M/#10518,,,,,,I

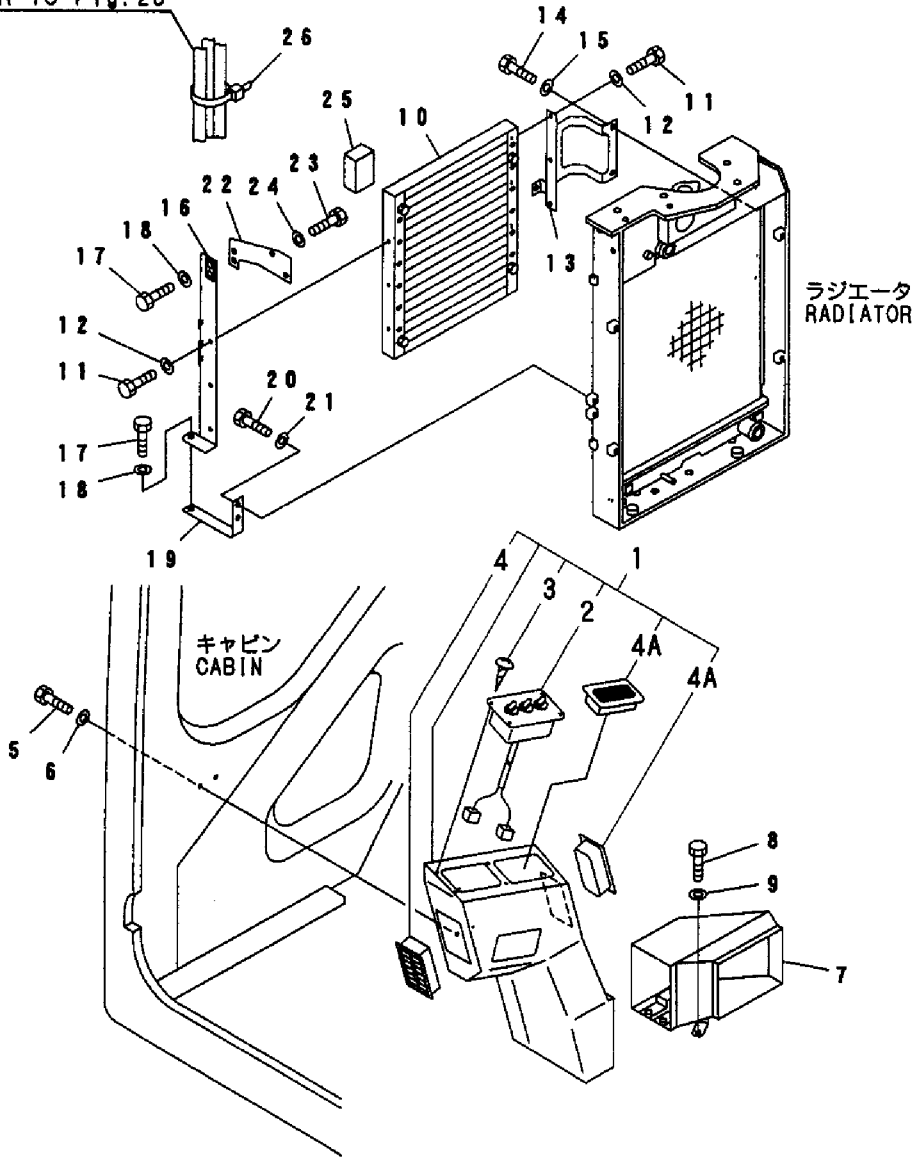
Fig. 71 ヒータ HEATER



1,1,,182901-37470,, "DUCT ASS'Y",1,,,,,,,,,,,,,
2,2,,182901-30950,, "PANEL ASS'Y",1,,,,,,,,,,,,,
3,2,,182901-29310,, SCREW,4,,,,,,,,,,,,,
4,2,,182901-31180,, GRILLE,1,,,,,,,,,,,,,
4A,2,,182901-37490,, GRILLE,2,,,,,,,,,,,,,
5,1,,182900-82410,, BOLT,2,,,,,,,,,,,,,
6,1,,953KM0-00220,, WASHER,2,,,,,,,,,,,,,
7,1,,182901-32080,, DUCT,1,,,,,,,,,,,,,
7-1,1,,182901-50530,, DUCT,1,,,,,S,*M/#10506,,,,,,I
8,1,,182900-68000,, BOLT,1,,,,,,,,,,,,,
9,1,,953KM0-00222,, WASHER,1,,,,,,,,,,,,,
10,1,,182901-40550,, CONDENSER,1,,,,,,,,,,,,,
11,1,,182900-82410,, BOLT,6,,,,,,,,,,,,,
12,1,,953KM0-00220,, WASHER,6,,,,,,,,,,,,,
13,1,,182901-39480,, BRACKET,1,,,,,,,,,,,,,
14,1,,182900-64830,, BOLT,2,,,,,,,,,,,,,
15,1,,953KM0-00221,, WASHER,2,,,,,,,,,,,,,
16,1,,182901-37330,, BRACKET,1,,,,,,,,,,,,,
17,1,,182900-64830,, BOLT,3,,,,,,,,,,,,,
18,1,,953KM0-00221,, WASHER,3,,,,,,,,,,,,,
19,1,,182901-39500,, PLATE,1,,,,,,,,,,,,,
20,1,,182900-64830,, BOLT,2,,,,,,,,,,,,,
21,1,,953KM0-00221,, WASHER,2,,,,,,,,,,,,,
22,1,,182901-39520,, BRACKET,1,,,,,,,,,,,,,
23,1,,182900-64840,, BOLT,2,,,,,,,,,,,,,
24,1,,953KM0-00221,, WASHER,2,,,,,,,,,,,,,
25,1,,182901-39600,, SHEET,1,,,,,,,,,,,,,
26,1,,953KM0-00548,, BAND,2,,,,,,,,,,,,,

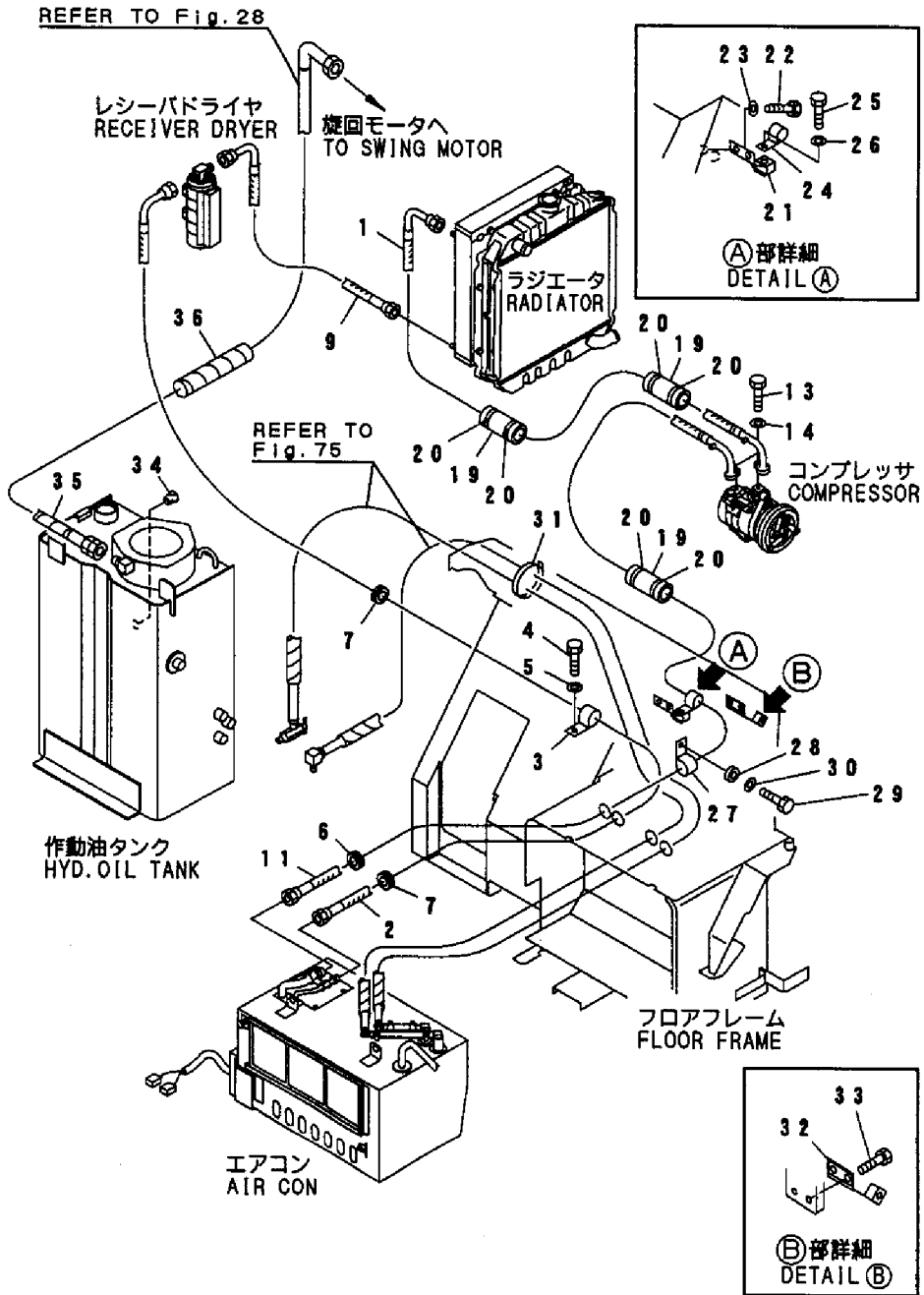
Fig. 72 エアコン (ダクト&コンデンサ)
AIR CON (DUCT & CONDENSER)

REFER TO Fig. 28



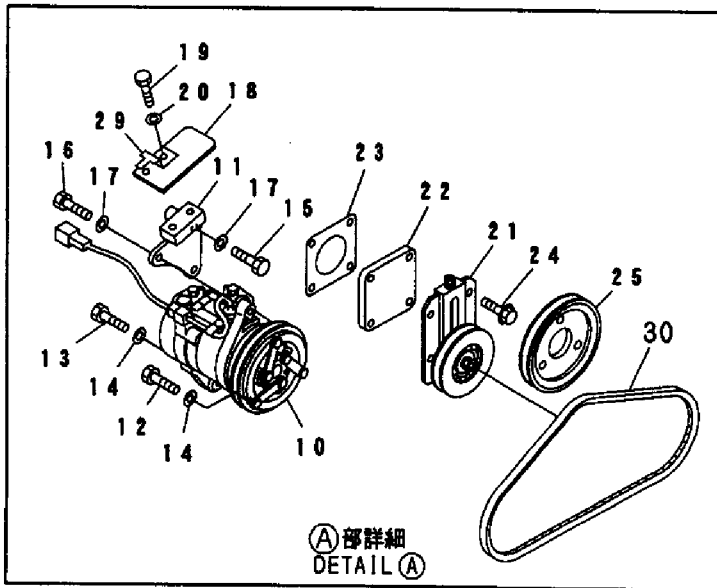
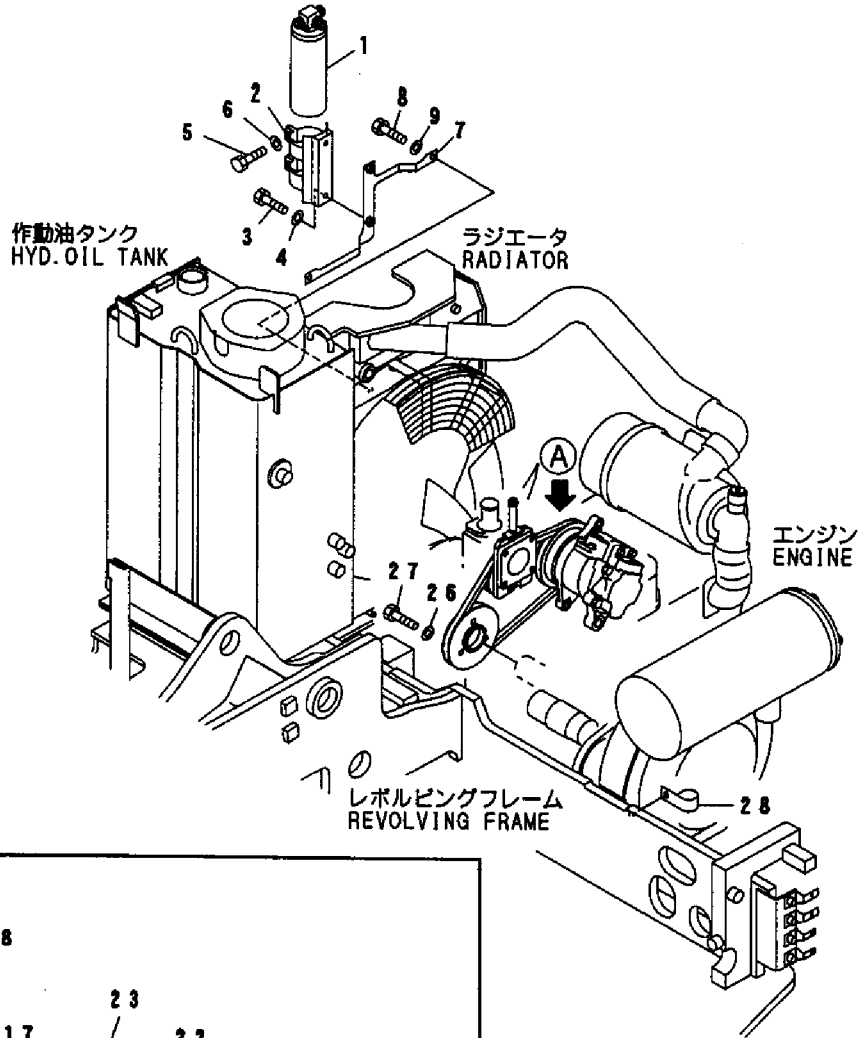
1,1,,182901-37410,,HOSE,1,,,,,,,,,,,,,
2,1,,182901-37400,,HOSE,1,,,,,,,,,,,,,
3,1,,182900-10970,,CLIP,1,,,,,,,,,,,,,
4,1,,182900-64830,,BOLT,1,,,,,,,,,,,,,
5,1,,953KM0-00221,,WASHER,1,,,,,,,,,,,,,
6,1,,182901-39550,,GROMMET,1,,,,,,,,,,,,,
7,1,,182901-39560,,GROMMET,2,,,,,,,,,,,,,
9,1,,182901-39570,,HOSE,1,,,,,,,,,,,,,
11,1,,182901-37390,,HOSE,1,,,,,,,,,,,,,
13,1,,182900-82430,,BOLT,2,,,,,,,,,,,,,
14,1,,953KM0-00220,,WASHER,2,,,,,,,,,,,,,
19,1,,182901-39610,,COVER,3,,,,,,,,,,,,,
20,1,,182900-44660,,BAND,6,,,,,,,,,,,,,
21,1,,182901-37460,,BRACKET,1,,,,,,,,,,,,,
22,1,,182900-67980,,BOLT,2,,,,,,,,,,,,,
23,1,,953KM0-00221,,WASHER,2,,,,,,,,,,,,,
24,1,,182901-30170,,CLIP,1,,,,,,,,,,,,,
25,1,,182900-68000,,BOLT,1,,,,,,,,,,,,,
26,1,,953KM0-00222,,WASHER,1,,,,,,,,,,,,,
27,1,,182901-30200,,CLIP,1,,,,,,,,,,,,,
28,1,,182900-31290,,SPACER,1,,,,,,,,,,,,,
29,1,,182900-68010,,BOLT,1,,,,,,,,,,,,,
30,1,,953KM0-00222,,WASHER,1,,,,,,,,,,,,,
31,1,,182900-24960,,BAND,2,,,,,,,,,,,,,
32,1,,182901-37520,,BRACKET,1,,,,,,,,,,,,,
33,1,,182900-68010,,BOLT,2,,,,,,,,,,,,,
34,1,,953KM0-00410,,PLUG,1,,,,,,,,,,,,,
35,1,,182901-29990,, "SPIRAL TUBE",1,,,,,,,,,,,,,
36,1,,182900-42150,,COVER,1,,,,,,,,,,,,,

Fig. 73 エアコン (クーラホース)
AIR CON (COOLER HOSE)



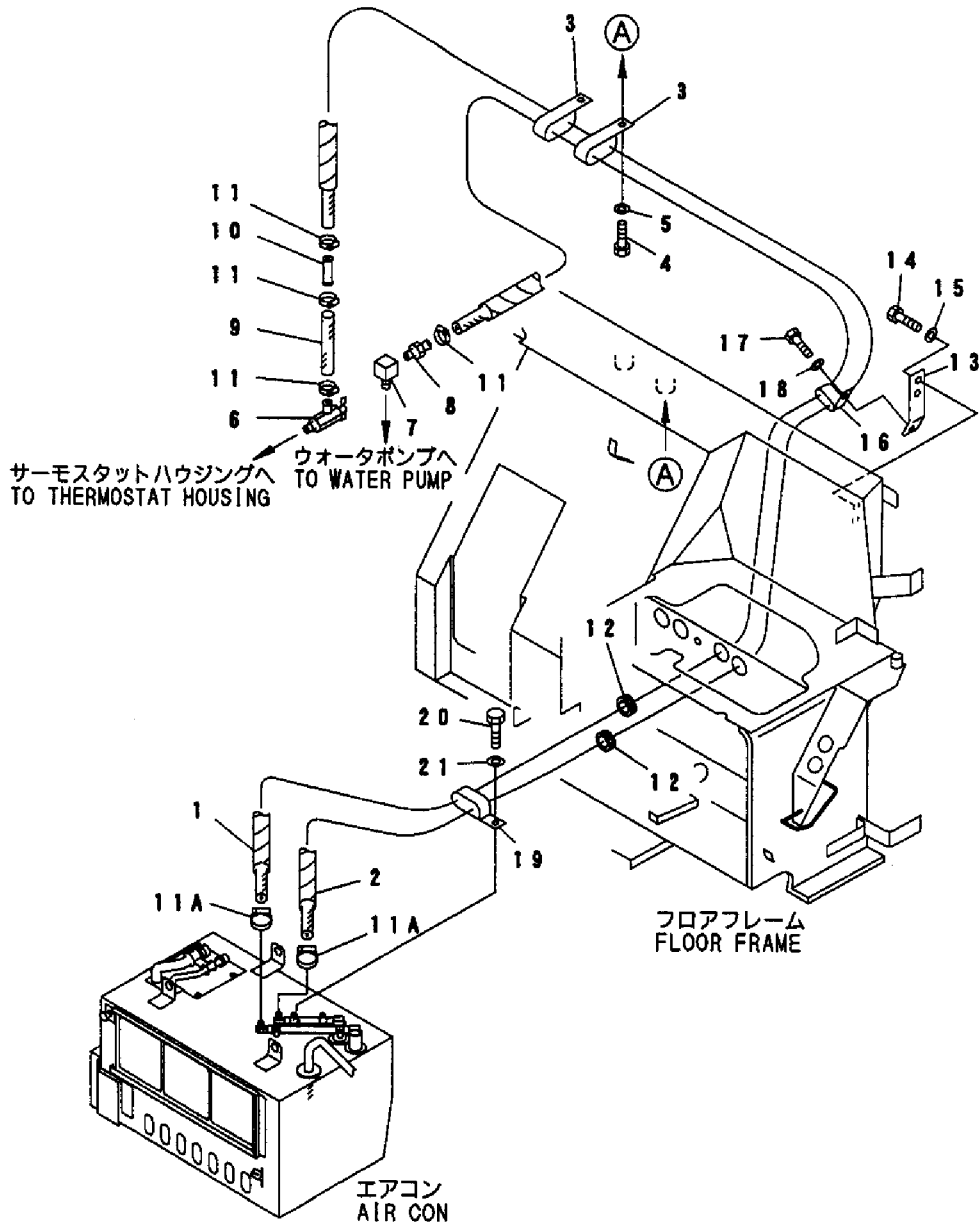
1,1,,182901-30960,, "RECEIVER DRYER",1,,,,,,,,,,,,,
2,1,,182900-41300,, BRACKET,1,,,,,,,,,,,,,
3,1,,182900-67980,, BOLT,2,,,,,,,,,,,,,
4,1,,953KM0-00221,, WASHER,2,,,,,,,,,,,,,
5,1,,182900-82420,, BOLT,2,,,,,,,,,,,,,
6,1,,953KM0-00220,, WASHER,2,,,,,,,,,,,,,
7,1,,182901-37350,, BRACKET,1,,,,,,,,,,,,,
8,1,,182900-64830,, BOLT,2,,,,,,,,,,,,,
9,1,,953KM0-00221,, WASHER,2,,,,,,,,,,,,,
10,1,,182901-30940,, COMPRESSOR,1,,,,,,,,,,,,,
11,1,,182901-39580,, STAY,1,,,,,,,,,,,,,
12,1,,182900-82440,, BOLT,1,,,,,,,,,,,,,
13,1,,182901-29070,, BOLT,1,,,,,,,,,,,,,
14,1,,953KM0-00221,, WASHER,2,,,,,,,,,,,,,
15,1,,182901-29090,, BOLT,2,,,,,,,,,,,,,
16,1,,182900-64840,, BOLT,1,,,,,,,,,,,,,
17,1,,953KM0-00221,, WASHER,3,,,,,,,,,,,,,
18,1,,182901-30310,, PLATE,1,,,,,,,,,,,,,
19,1,,182900-67980,, BOLT,2,,,,,,,,,,,,,
20,1,,953KM0-00221,, WASHER,2,,,,,,,,,,,,,
21,1,,182900-41270,, "PULLEY ASS'Y",1,,,,,,,,,,,,,
22,1,,182901-25410,, COVER,1,,,,,,,,,,,,,
23,1,,182901-25400,, PACKING,1,,,,,,,,,,,,,
24,1,,182901-25430,, BOLT,4,,,,,,,,,,,,,
25,1,,182900-41280,, PULLEY,1,,,,,,,,,,,,,
26,1,,953KM0-00222,, WASHER,3,,,,,,,,,,,,,
27,1,,182900-64860,, BOLT,3,,,,,,,,,,,,,
28,1,,182901-29940,, CLIP,2,,,,,,,,,,,,,
29,1,,953KM0-03626,, CLIP,1,,,,,,,,,,,,,
30,1,,182901-39540,, V-BELT,1,,,,,,,,,,,,,

Fig. 74 エアコン (レシーバ&コンプレッサ)
 AIR CON (RECEIVER & COMPRESSOR)



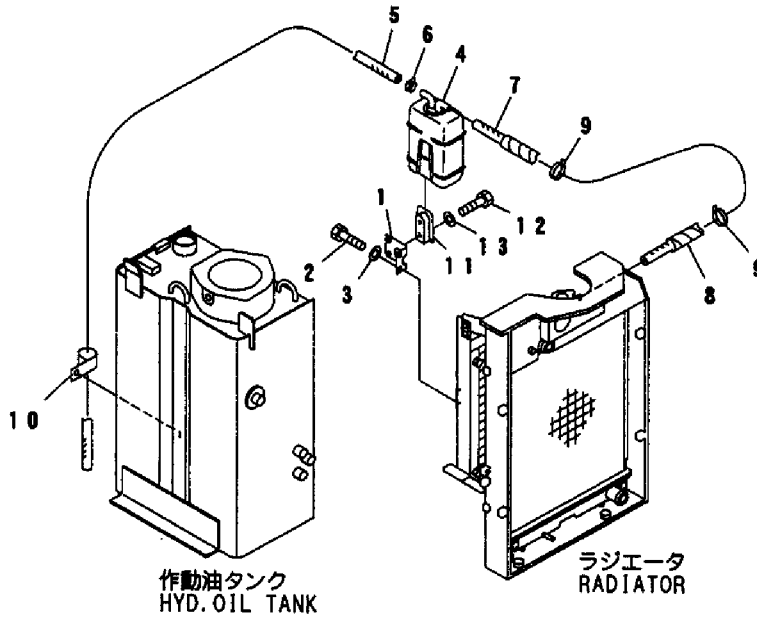
1,1,,182901-37420,,HOSE,1,,,,,,,,,,,,,
2,1,,182901-37430,,HOSE,1,,,,,,,,,,,,,
3,1,,182901-40530,,CLIP,2,,,,,,,,,,,,,
4,1,,182900-68000,,BOLT,2,,,,,,,,,,,,,
5,1,,953KM0-00222,,WASHER,2,,,,,,,,,,,,,
6,1,,182900-68380,,VALVE,1,,,,,,,,,,,,,
7,1,,182900-25220,,ELBOW,1,,,,,,,,,,,,,
8,1,,182900-26420,,NIPPLE,1,,,,,,,,,,,,,
9,1,,182901-30150,,HOSE,1,,,,,,,,,,,,,
10,1,,182900-25100,,CONNECTOR,1,,,,,,,,,,,,,
11,1,,182900-25060,,CLAMP,4,,,,,,,,,,,,,
11A,1,,182901-30250,,CLAMP,2,,,,,,,,,,,,,
12,1,,182901-39550,,GROMMET,2,,,,,,,,,,,,,
13,1,,182901-37440,,BRACKET,1,,,,,,,,,,,,,
14,1,,182900-64860,,BOLT,2,,,,,,,,,,,,,
15,1,,953KM0-00222,,WASHER,2,,,,,,,,,,,,,
16,1,,182901-40540,,CLIP,1,,,,,,,,,,,,,
17,1,,182900-68000,,BOLT,1,,,,,,,,,,,,,
18,1,,953KM0-00222,,WASHER,1,,,,,,,,,,,,,
19,1,,182901-29560,,CLIP,1,,,,,,,,,,,,,
20,1,,182900-68000,,BOLT,1,,,,,,,,,,,,,
21,1,,953KM0-00222,,WASHER,1,,,,,,,,,,,,,

Fig. 75 エアコン (ヒータホース)
AIR CON (HEATER HOSE)



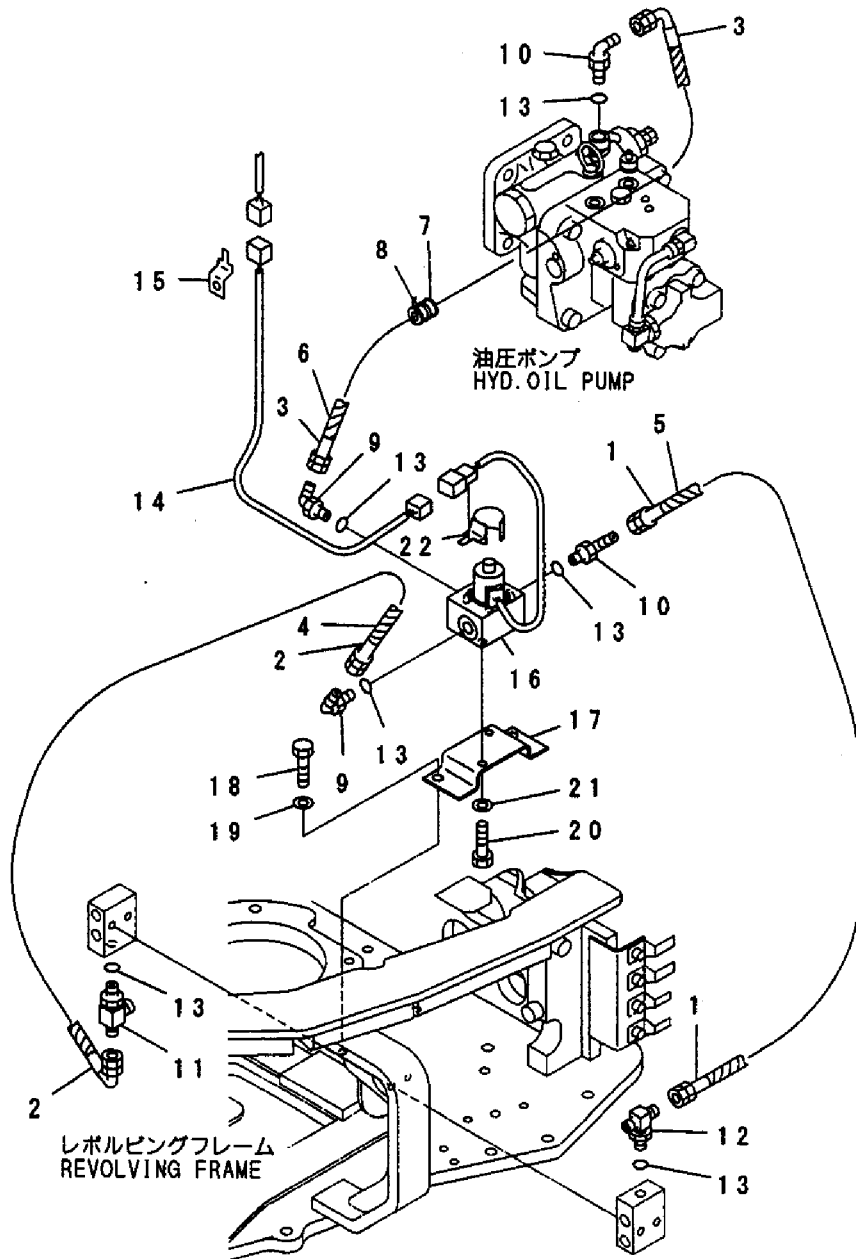
1,1,,182901-37370,,BRACKET,1,,,,,,,,,,,,,
2,1,,182900-64830,,BOLT,2,,,,,,,,,,,,,
3,1,,953KM0-00221,,WASHER,2,,,,,,,,,,,,,
4,1,,182901-30270,,TANK,1,,,,,,,,,,,,,
5,1,,182901-29820,,HOSE,1,,,,,,,,,,,,,
6,1,,182900-24870,,CLIP,1,,,,,,,,,,,,,
7,1,,953KM0-00519,, "HOSE, FUEL",1,,,,,,,,,,,,,
8,1,,182901-29850,,CONDUIT,1,,,,,,,,,,,,,
9,1,,953KM0-00549,,BAND,2,,,,,,,,,,,,,
10,1,,182900-82900,,CLIP,1,,,,,,,,,,,,,
11,1,,182900-34980,,BRACKET,1,,,,,,,,,,,,,
12,1,,182900-67950,,BOLT,2,,,,,,,,,,,,,
13,1,,953KM0-00220,,WASHER,2,,,,,,,,,,,,,

Fig. 76 エアコン (リザーバタンク)
AIR CON (RESERVER TANK)



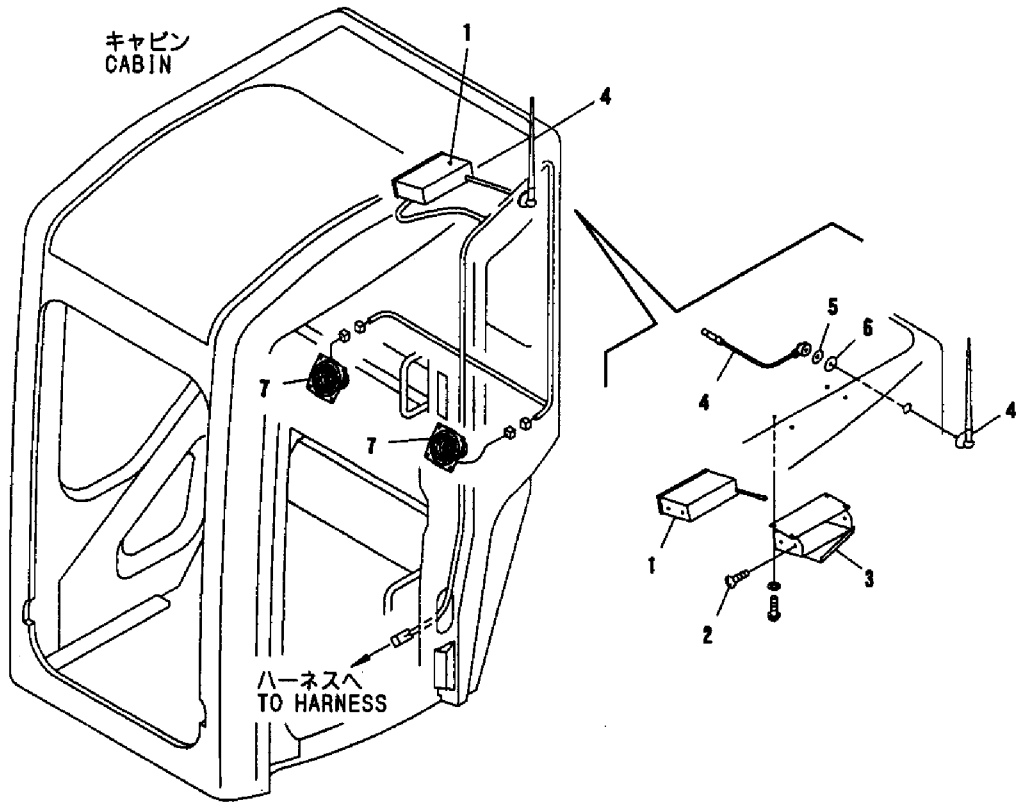
1,1,,182901-50210,,HOSE,1,,,,,,,,,,,,,
2,1,,182901-50230,,HOSE,1,,,,,,,,,,,,,
3,1,,182901-50220,,HOSE,1,,,,,,,,,,,,,
4,1,,182901-30000,,,"SPIRAL TUBE",1,,,,,,,,,,,,,
5,1,,182901-30010,,,"SPIRAL TUBE",1,,,,,,,,,,,,,
6,1,,182901-50290,,,"SPIRAL TUBE",1,,,,,,,,,,,,,
7,1,,182901-29670,,CUSHION,1,,,,,,,,,,,,,
8,1,,182900-68350,,BAND,1,,,,,,,,,,,,,
9,1,,953KM0-00482,,ELBOW,2,,,,,,,,,,,,,
10,1,,182901-51520,,ELBOW,2,,,,,,,,,,,,,
11,1,,182900-41720,,TEE,1,,,,,,,,,,,,,
12,1,,182900-27480,,TEE,1,,,,,,,,,,,,,
13,1,,953KM0-00388,,O-RING,5,,,,,,,,,,,,,
14,1,,182901-51470,,,"WIRING HARNESS",1,,,,,,,,,,,,,
15,1,,953KM0-03626,,CLIP,1,,,,,,,,,,,,,
16,1,,182901-51740,,VALVE,1,,,,,,,,,,,,,
17,1,,182901-51500,,BRACKET,1,,,,,,,,,,,,,
18,1,,182900-68000,,BOLT,2,,,,,,,,,,,,,
19,1,,953KM0-00222,,WASHER,2,,,,,,,,,,,,,
20,1,,182900-67980,,BOLT,2,,,,,,,,,,,,,
21,1,,953KM0-00221,,WASHER,2,,,,,,,,,,,,,
22,1,,182900-70460,,CLIP,1,,,,,,,,,,,,,

Fig. 77 エアコン (パイプ&ソレノイドバルブ)
 AIR CON (PIPE & SOLENOID VALVE)



1,1,,182901-39780,,RADIO,1,,,,,,,,,,,,,
2,1,,182901-19380,,SCREW,4,,,,,,,,,,,,,
3,1,,182901-40240,,BRACKET,1,,,,,,,,,,,,,
4,1,,182901-40620,, "RUBBER ANTENNA",1,,,,,,,,,,,,,
5,1,,182901-30220,,WASHER,1,,,,,,,,,,,,,
6,1,,182901-31400,,PLATE,1,,,,,,,,,,,,,
7,1,,182901-30130,,SPEAKER,2,,,,,,,,,,,,,

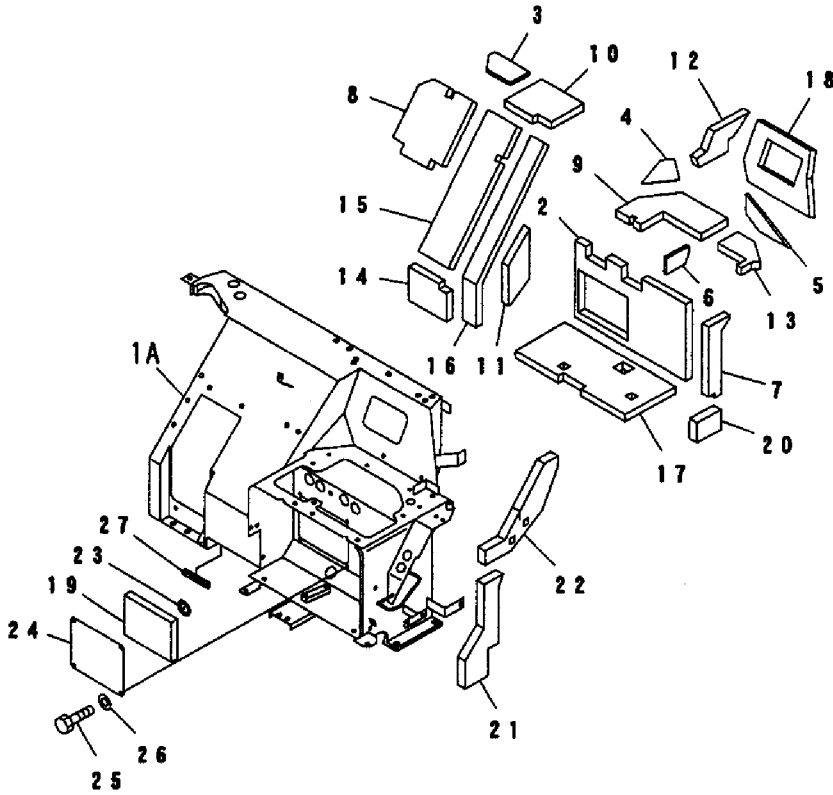
Fig. 78 ラジオ RADIO



1,1,,182901-34770,, "BRACKET ASS'Y",1,,,,,,,,,,,,,,,,,,,,,
1-1,1,,182901-50930,, "BRACKET ASS'Y",1,,,,,,S,,*,M/#10504,,,,,,,,,,,,,I
1-2,1,,182901-50940,, "BRACKET ASS'Y",1,,,,,,S,,*,M/#11001,,,,,,,,,,,,,I
1A,2,,182901-34780,, BRACKET,1,,,,,,,,,,,,,,,,,,,,,
1A-1,2,,182901-50950,, BRACKET,1,,,,,,S,,*,M/#10504,,,,,,,,,,,,,I
1A-2,2,,182901-50960,, BRACKET,1,,,,,,S,,*,M/#11001,,,,,,,,,,,,,I
2,2,,182901-33500,, SHEET,1,,,,,,,,,,,,,,,,,,,,,
2-1,2,,182901-50730,, SHEET,1,,,,,,S,,*,M/#10504,,,,,,,,,,,,,I
3,2,,182901-33510,, SHEET,1,,,,,,Z,,*,M/#10503,,,,,,,,,,,,,I
4,2,,182901-33520,, SHEET,1,,,,,,Z,,*,M/#10503,,,,,,,,,,,,,I
5,2,,182901-33530,, SHEET,1,,,,,,,,,,,,,,,,,,,,,
5-1,2,,182901-50740,, SHEET,1,,,,,,S,,*,M/#10504,,,,,,,,,,,,,I
6,2,,182901-33540,, SHEET,1,,,,,,Z,,*,M/#10503,,,,,,,,,,,,,I
7,2,,182901-33550,, SHEET,1,,,,,,,,,,,,,,,,,,,,,
7-1,2,,182901-50750,, SHEET,1,,,,,,S,,*,M/#10504,,,,,,,,,,,,,I
8,2,,182901-33560,, SHEET,1,,,,,,,,,,,,,,,,,,,,,
8-1,2,,182901-50760,, SHEET,1,,,,,,S,,*,M/#10504,,,,,,,,,,,,,I
8-2,2,,182901-50770,, SHEET,1,,,,,,S,,*,M/#11001,,,,,,,,,,,,,I
9,2,,182901-33570,, SHEET,1,,,,,,,,,,,,,,,,,,,,,
9-1,2,,182901-50780,, SHEET,1,,,,,,S,,*,M/#10504,,,,,,,,,,,,,I
10,2,,182901-33580,, SHEET,1,,,,,,,,,,,,,,,,,,,,,
10-1,2,,182901-50790,, SHEET,1,,,,,,S,,*,M/#10504,,,,,,,,,,,,,I
11,2,,182901-33590,, SHEET,1,,,,,,,,,,,,,,,,,,,,,
11-1,2,,182901-50800,, SHEET,1,,,,,,S,,*,M/#10504,,,,,,,,,,,,,I
12,2,,182901-33600,, SHEET,1,,,,,,,,,,,,,,,,,,,,,
12-1,2,,182901-50810,, SHEET,1,,,,,,S,,*,M/#10504,,,,,,,,,,,,,I
13,2,,182901-33610,, SHEET,1,,,,,,,,,,,,,,,,,,,,,
13-1,2,,182901-50820,, SHEET,1,,,,,,S,,*,M/#10504,,,,,,,,,,,,,I
14,2,,182901-33620,, SHEET,1,,,,,,Z,,*,M/#10503,,,,,,,,,,,,,I
15,2,,182901-33630,, SHEET,1,,,,,,,,,,,,,,,,,,,,,
15-1,2,,182901-50830,, SHEET,1,,,,,,S,,*,M/#10504,,,,,,,,,,,,,I
16,2,,182901-33640,, SHEET,1,,,,,,Z,,*,M/#10503,,,,,,,,,,,,,I
17,2,,182901-33650,, SHEET,1,,,,,,,,,,,,,,,,,,,,,
17-1,2,,182901-50840,, SHEET,1,,,,,,S,,*,M/#11001,,,,,,,,,,,,,I
18,2,,182901-33660,, SHEET,1,,,,,,,,,,,,,,,,,,,,,
18-1,2,,182901-50850,, SHEET,1,,,,,,S,,*,M/#10504,,,,,,,,,,,,,I
19,2,,182901-33670,, SHEET,1,,,,,,,,,,,,,,,,,,,,,
20,2,,182901-33680,, SHEET,1,,,,,,,,,,,,,,,,,,,,,
21,2,,182901-33690,, SHEET,1,,,,,,,,,,,,,,,,,,,,,
21-1,2,,182901-50860,, SHEET,1,,,,,,S,,*,M/#11001,,,,,,,,,,,,,I
22,2,,182901-33700,, SHEET,1,,,,,,,,,,,,,,,,,,,,,
23,2,,182901-38750,, WASHER,36,,,,,,,,,,,,,,,,,,,,,
23-1,2,,182901-38750,, WASHER,30,,,,,,K,,*,M/#11001,,,,,,,,,,,,,I
24,2,,182901-33420,, COVER,1,,,,,,,,,,,,,,,,,,,,,
25,2,,182900-33600,, BOLT,4,,,,,,,,,,,,,,,,,,,,,
26,2,,182900-33890,, WASHER,4,,,,,,,,,,,,,,,,,,,,,
27,2,,182901-34440,, SEAL,1,,,,,,Z,,*,M/#10503,,,,,,,,,,,,,I

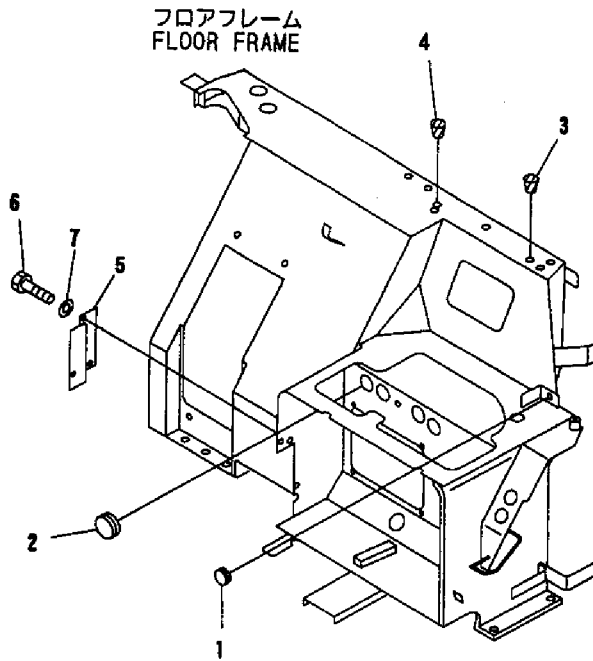
Fig. **79** フロアフレーム (ベース)
FLOOR FRAME (BASE)

見出しNo. 1は、見出しNo. 1Aから27を含みます。
1 inc. 1A ~ 27



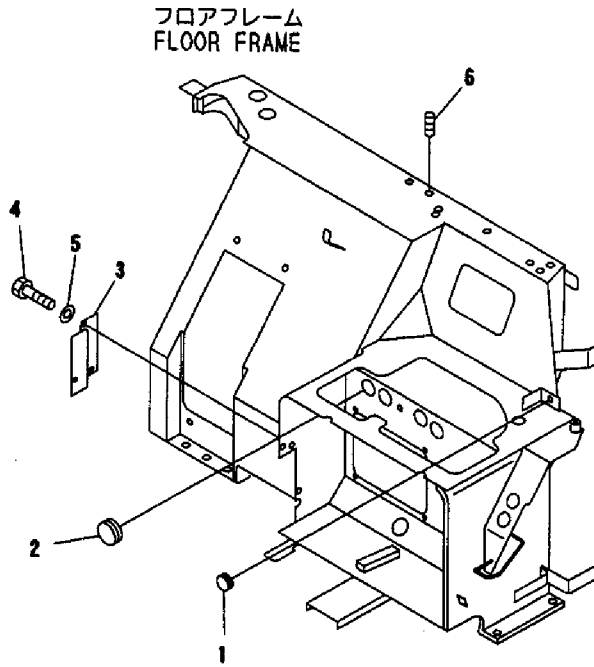
1,1,,953KM0-00600,,CAP,1,,,,,,,,,,,,,
2,1,,953KM0-00602,,CAP,5,,,,,,,,,,,,,
3,1,,953KM0-00410,,PLUG,4,,,,,,,,,,,,,
4,1,,182900-14230,,PLUG,4,,,,,,,,,,,,,
5,1,,182901-34260,,PLATE,1,,,,,,,,,,,,,
6,1,,182901-28940,,BOLT,2,,,,,,,,,,,,,
7,1,,182900-33890,,WASHER,2,,,,,,,,,,,,,

Fig. 80 フロアフレーム (キャップ)
FLOOR FRAME (CAP)



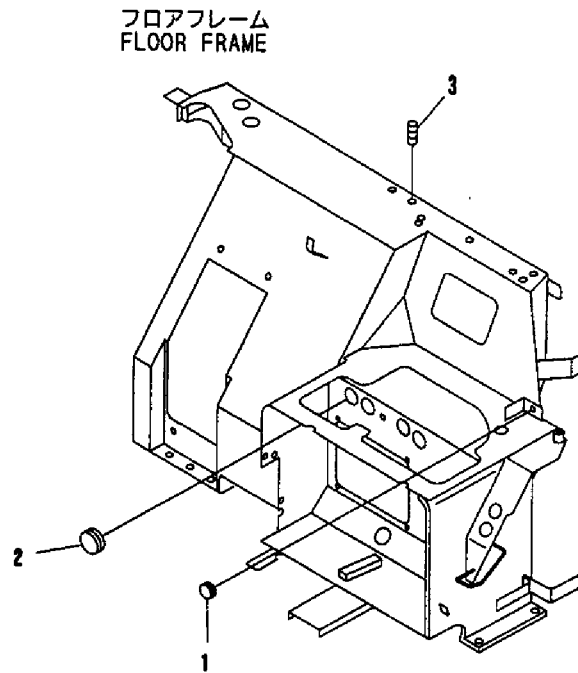
1,1,,953KM0-00600,,CAP,1,,,,,,,,,,,,,
2,1,,953KM0-00602,,CAP,5,,,,,,,,,,,,,
3,1,,182901-34260,,PLATE,1,,,,,,,,,,,,,
4,1,,182901-28940,,BOLT,2,,,,,,,,,,,,,
5,1,,182900-33890,,WASHER,2,,,,,,,,,,,,,
6,1,,182901-29300,,SCREW,3,,,,,,,,,,,,,

Fig. 81 フロアフレーム (キャップ, キャビン)
FLOOR FRAME (CAP, CABIN)



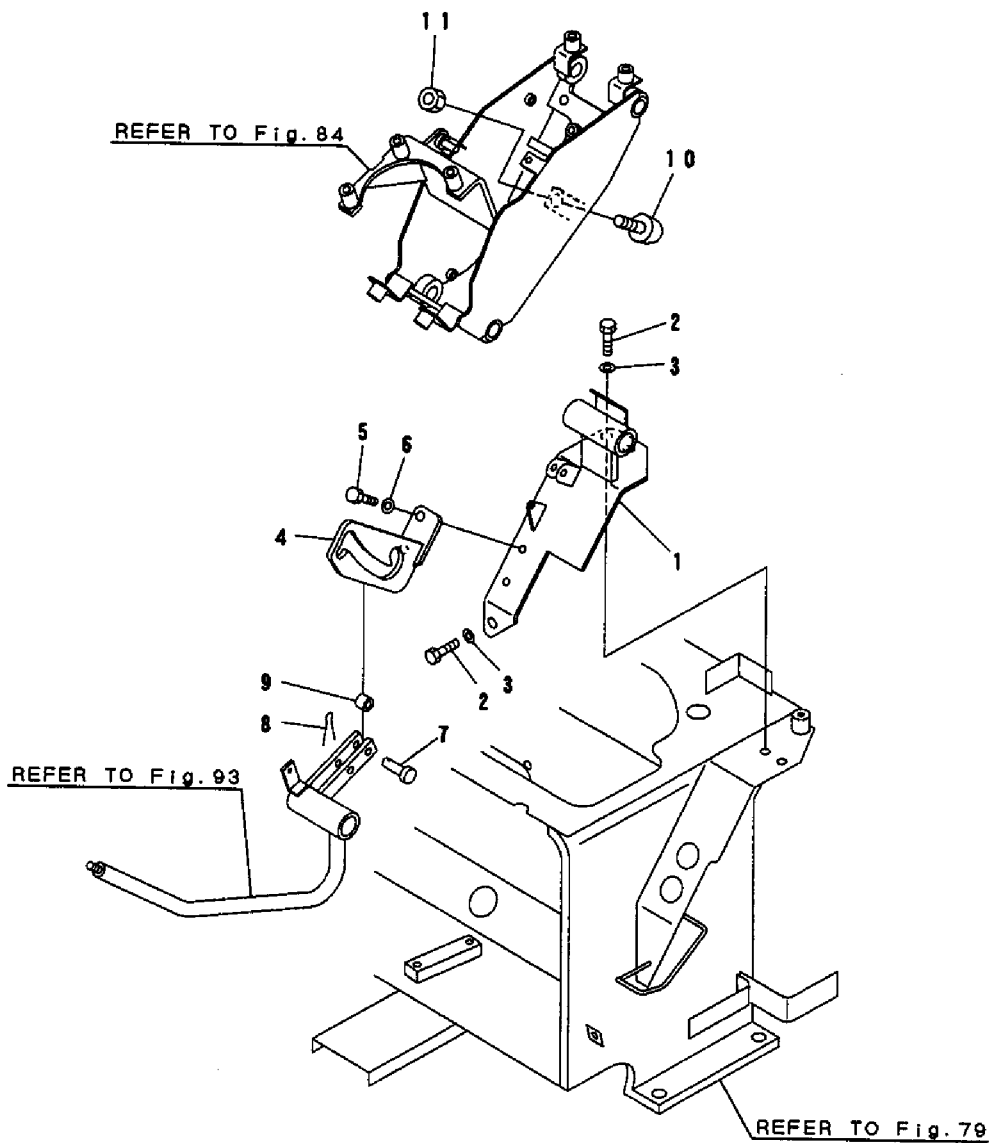
1,1,,953KM0-00600,,CAP,1,,,,,,,,,,,,,
2,1,,953KM0-00602,,CAP,5,,,,,,,,,,,,,
3,1,,182901-29300,,SCREW,3,,,,,,,,,,,,,

Fig. 82 フロアフレーム (キャップ, エアコン)
FLOOR FRAME (CAP, AIR CON)



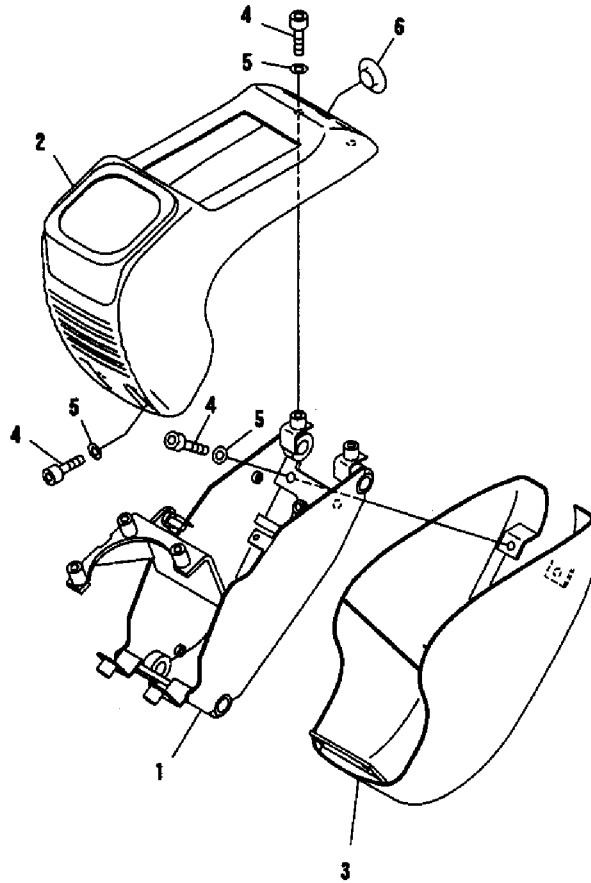
1,1,,182901-32610,,BRACKET,1,,,,,,,,,,,,,
2,1,,182901-28990,,BOLT,3,,,,,,,,,,,,,
3,1,,182900-33900,,WASHER,3,,,,,,,,,,,,,
4,1,,182901-39820,,GUIDE,1,,,,,,,,,,,,,
5,1,,182900-33600,,BOLT,2,,,,,,,,,,,,,
6,1,,182900-33890,,WASHER,2,,,,,,,,,,,,,
7,1,,182901-29470,,PIN,1,,,,,,,,,,,,,
8,1,,22417-200160,, "COTTER PIN 2.0X16",1,,,,,,,,,,,,,
9,1,,182901-31780,,COLLAR,1,,,,,,,,,,,,,
10,1,,182900-16600,,STOPPER,1,,,,,,,,,,,,,
11,1,,953KM0-12155,,NUT,1,,,,,,,,,,,,,

Fig. 83 フロアフレーム (ブラケット, 左)
FLOOR FRAME (BRACKET, LEFT)



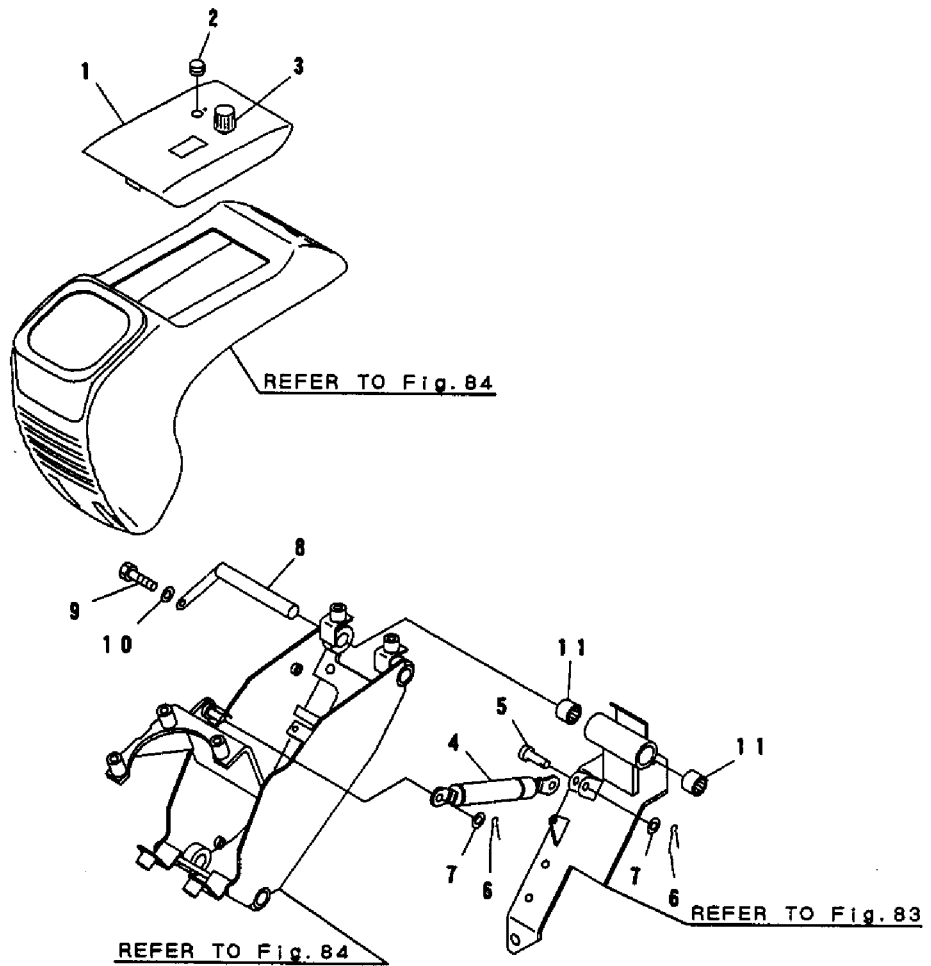
1,1,,182901-38530,,BRACKET,1,,,,,,,,,,,,,
2,1,,182901-31880,,COVER,1,,,,,,,,,,,,,
3,1,,182901-34620,,COVER,1,,,,,,,,,,,,,
4,1,,182900-26440,,BOLT,6,,,,,,,,,,,,,
5,1,,182900-33890,,WASHER,6,,,,,,,,,,,,,
6,1,,953KM0-00601,,CAP,1,,,,,,,,,,,,,

Fig. **84** フロアフレーム (パネルボックス, 左) (1)
FLOOR FRAME (PANEL BOX, LEFT) (1)



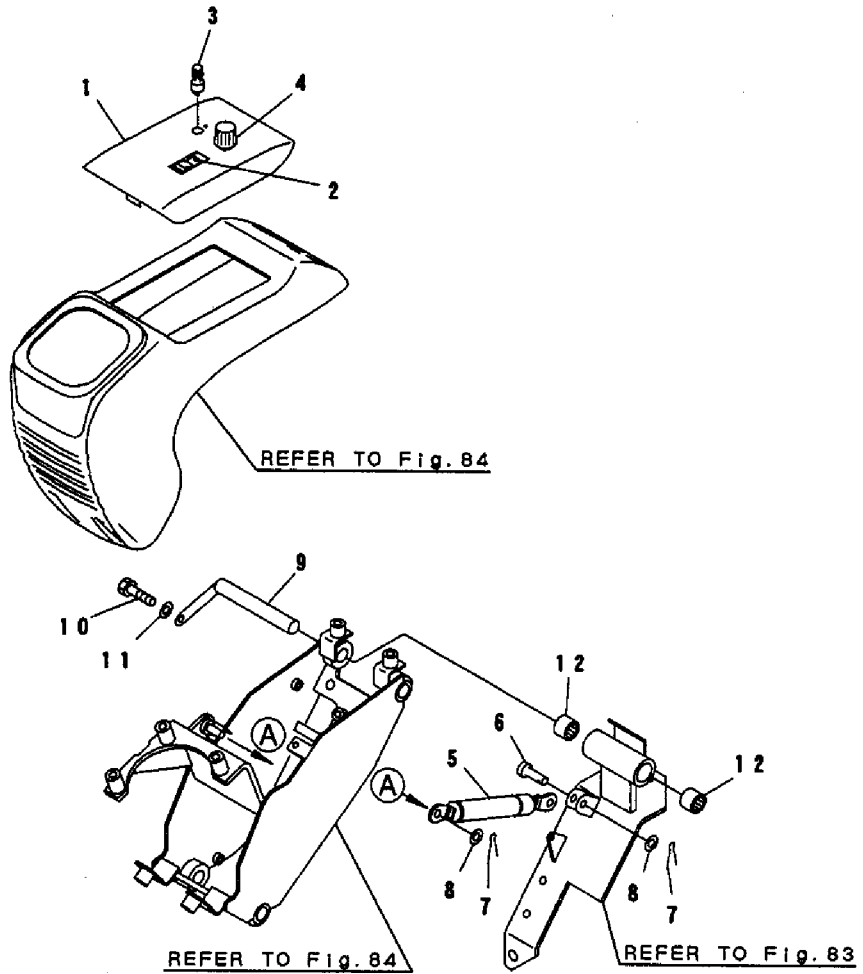
1,1,,182901-31910,, "COVER ASS'Y",1,,,,,,,,,,,,,
2,1,,953KM0-03912,,CAP,1,,,,,,,,,,,,,
3,1,,953KM0-01237,, "SWITCH, LAMP",1,,,,,,,,,,,,,
4,1,,182901-31750,,SPRING,1,,,,,,,,,,,,,
5,1,,953KM0-00283,,PIN,1,,,,,,,,,,,,,
6,1,,22417-200160,, "COTTER PIN 2.0X16",2,,,,,,,,,,,,,
7,1,,953KM0-00221,,WASHER,2,,,,,,,,,,,,,
8,1,,182901-31670,,PIN,1,,,,,,,,,,,,,
9,1,,182900-64620,,BOLT,1,,,,,,,,,,,,,
10,1,,953KM0-00220,,WASHER,1,,,,,,,,,,,,,
11,1,,182901-29570,,BEARING,2,,,,,,,,,,,,,

Fig. 85 フロアフレーム (パネルボックス, 左) (2)
FLOOR FRAME (PANEL BOX, LEFT) (2)



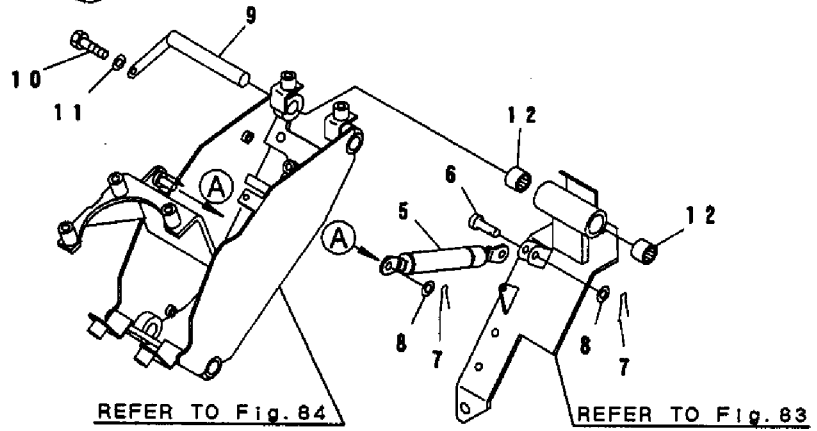
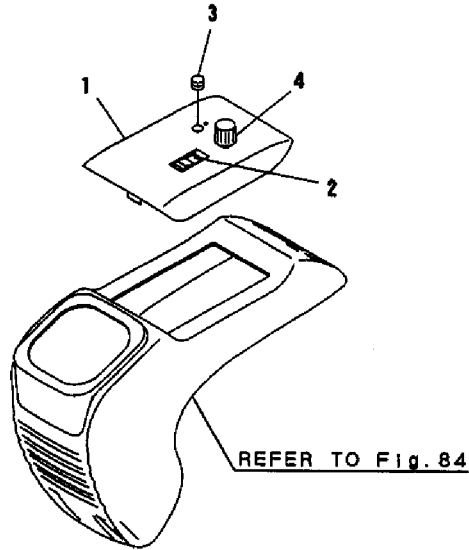
1,1,,182901-31890,,COVER,1,,,,,,,,,,,,,
2,1,,182900-16140,,SWITCH,1,,,,,,,,,,,,,
3,1,,182900-16560,,SWITCH,1,,,,,,,,,,,,,
4,1,,953KM0-01237,, "SWITCH, LAMP",1,,,,,,,,,,,,,
5,1,,182901-31750,,SPRING,1,,,,,,,,,,,,,
6,1,,953KM0-00283,,PIN,1,,,,,,,,,,,,,
7,1,,22417-200160,, "COTTER PIN 2.0X16",2,,,,,,,,,,,,,
8,1,,953KM0-00221,,WASHER,2,,,,,,,,,,,,,
9,1,,182901-31670,,PIN,1,,,,,,,,,,,,,
10,1,,182900-64620,,BOLT,1,,,,,,,,,,,,,
11,1,,953KM0-00220,,WASHER,1,,,,,,,,,,,,,
12,1,,182901-29570,,BEARING,2,,,,,,,,,,,,,

Fig. **86** フロアフレーム (パネルボックス, 左) (2) (キャビン)
FLOOR FRAME (PANEL BOX, LEFT) (2) (CABIN)



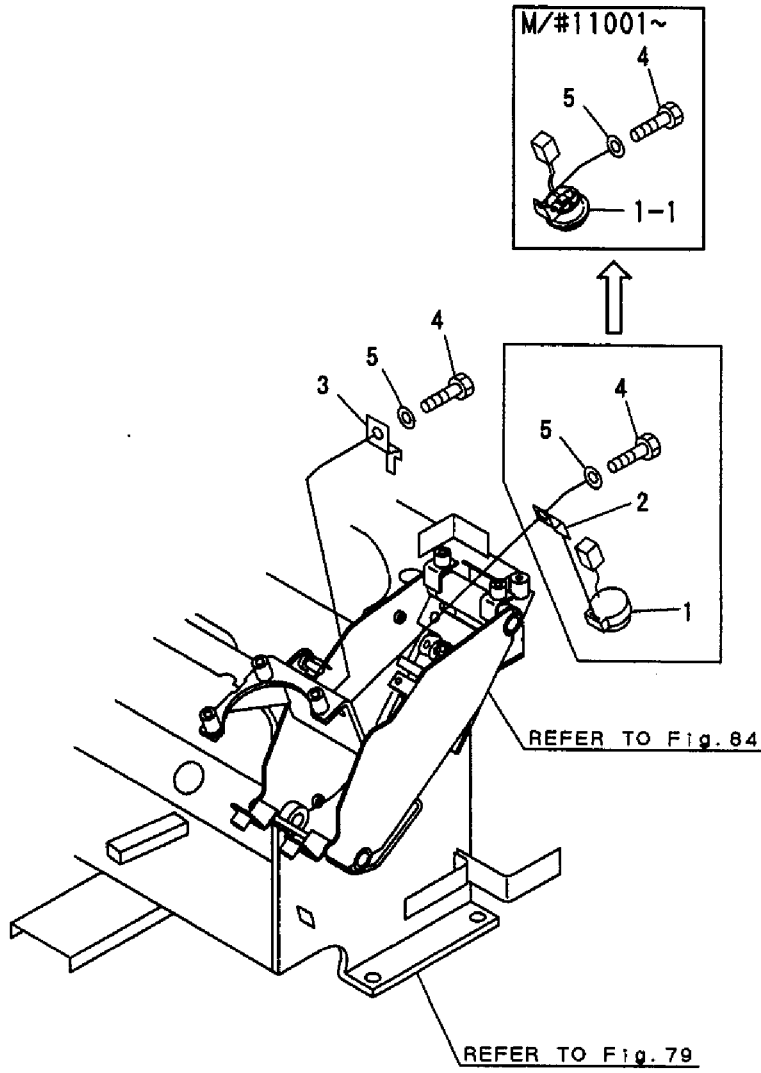
1,1,,182901-31890,,COVER,1,,,,,,,,,,,,,
2,1,,182900-16140,,SWITCH,1,,,,,,,,,,,,,
3,1,,953KM0-03912,,CAP,1,,,,,,,,,,,,,
4,1,,953KM0-01237,, "SWITCH, LAMP",1,,,,,,,,,,,,,
5,1,,182901-31750,,SPRING,1,,,,,,,,,,,,,
6,1,,953KM0-00283,,PIN,1,,,,,,,,,,,,,
7,1,,22417-200160,, "COTTER PIN 2.0X16",2,,,,,,,,,,,,,
8,1,,953KM0-00221,,WASHER,2,,,,,,,,,,,,,
9,1,,182901-31670,,PIN,1,,,,,,,,,,,,,
10,1,,182900-64620,,BOLT,1,,,,,,,,,,,,,
11,1,,953KM0-00220,,WASHER,1,,,,,,,,,,,,,
12,1,,182901-29570,,BEARING,2,,,,,,,,,,,,,

Fig. 87 フロアフレーム (パネルボックス, 左) (2) (エアコン)
FLOOR FRAME (PANEL BOX, LEFT) (2) (AIR CON)



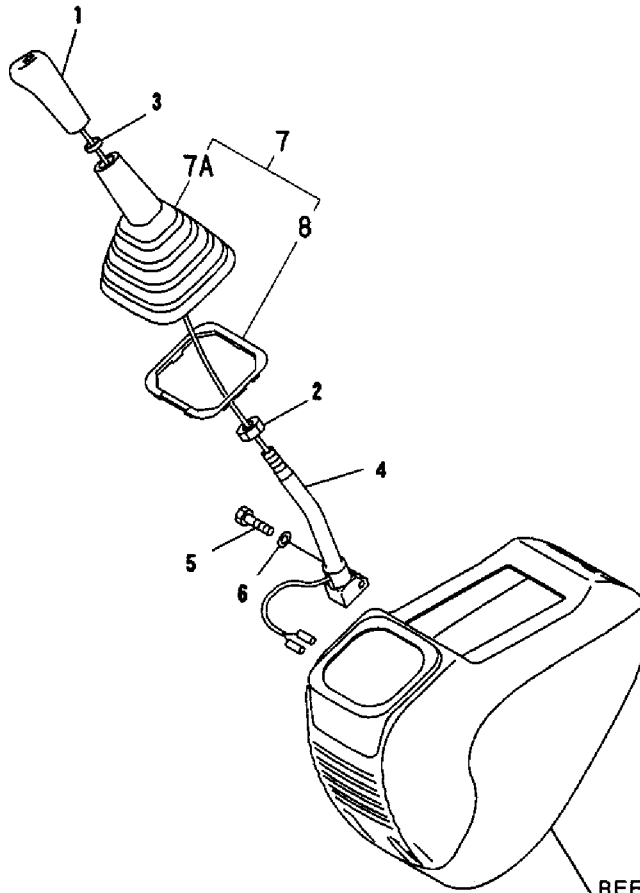
1,1,,182900-31240,, "BUZZER ASS'Y",1,,,,,,,,,,,,,
1-1,1,,953KM0-03898,,BUZZER,1,,,,,S,,*,M/#11001,,,,,,I
2,1,,182900-31250,,PLATE,1,,,,,,,,,,,,,
3,1,,182900-55440,,BRACKET,1,,,,,,,,,,,,,
4,1,,182900-82420,,BOLT,1,,,,,,,,,,,,,
5,1,,953KM0-00220,,WASHER,1,,,,,,,,,,,,,

Fig. 88 フロアフレーム (ブザー&ワイヤ, 左)
FLOOR FRAME (BUZZER & WIRE, LEFT)



1,1,,182900-35400,,KNOB,1,,,,,,,,,,,,,
2,1,,182900-35420,,NUT,1,,,,,,,,,,,,,
3,1,,182901-31690,,COLLAR,1,,,,,,,,,,,,,
4,1,,182901-31630,,LEVER,1,,,,,,,,,,,,,
5,1,,182900-68010,,BOLT,1,,,,,,,,,,,,,
6,1,,953KM0-00222,,WASHER,1,,,,,,,,,,,,,
7,1,,182901-31730,, "BOOT ASS'Y",1,,,,,,,,,,,,,
7A,2,,182901-31640,,BOOT,1,,,,,,,,,,,,,
8,2,,182901-31720,,BRACKET,1,,,,,,,,,,,,,

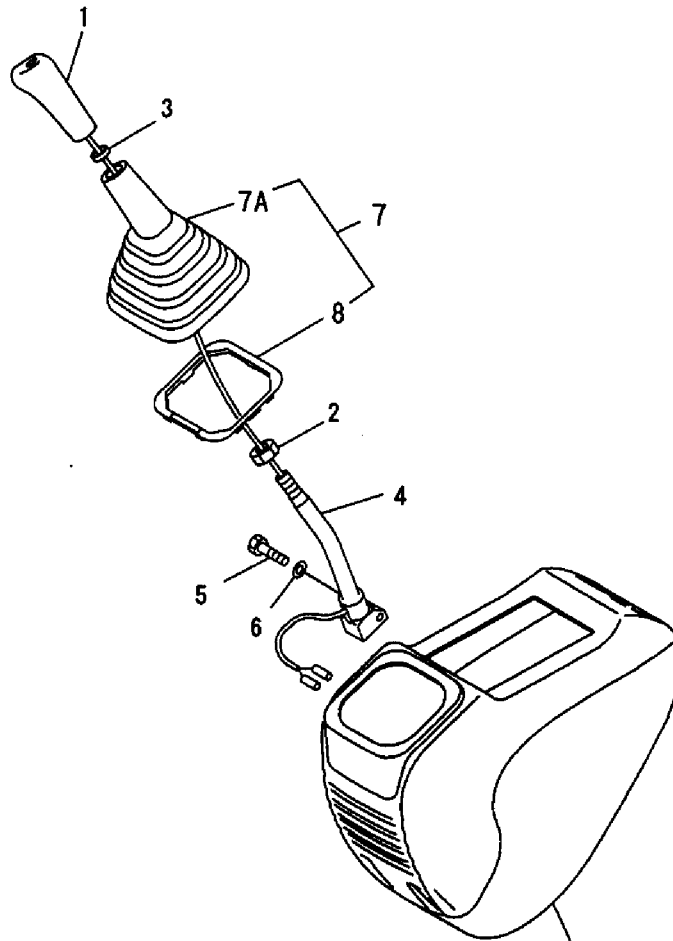
Fig. **89** フロアフレーム (旋回コントロールレバー, 左)
FLOOR FRAME (SWING CONTROL LEVER, LEFT)



REFER TO FIG. 84

1,1,,182900-83810,, "SWITCH, KNOB,DECEL",1,,,,,,,,,,,,,
2,1,,182900-35420,,NUT,1,,,,,,,,,,,,,
3,1,,182901-31690,,COLLAR,1,,,,,,,,,,,,,
4,1,,182901-31630,,LEVER,1,,,,,,,,,,,,,
5,1,,182900-68010,,BOLT,1,,,,,,,,,,,,,
6,1,,953KM0-00222,,WASHER,1,,,,,,,,,,,,,
7,1,,182901-31730,, "BOOT ASS'Y",1,,,,,,,,,,,,,
7A,2,,182901-31640,,BOOT,1,,,,,,,,,,,,,
8,2,,182901-31720,,BRACKET,1,,,,,,,,,,,,,

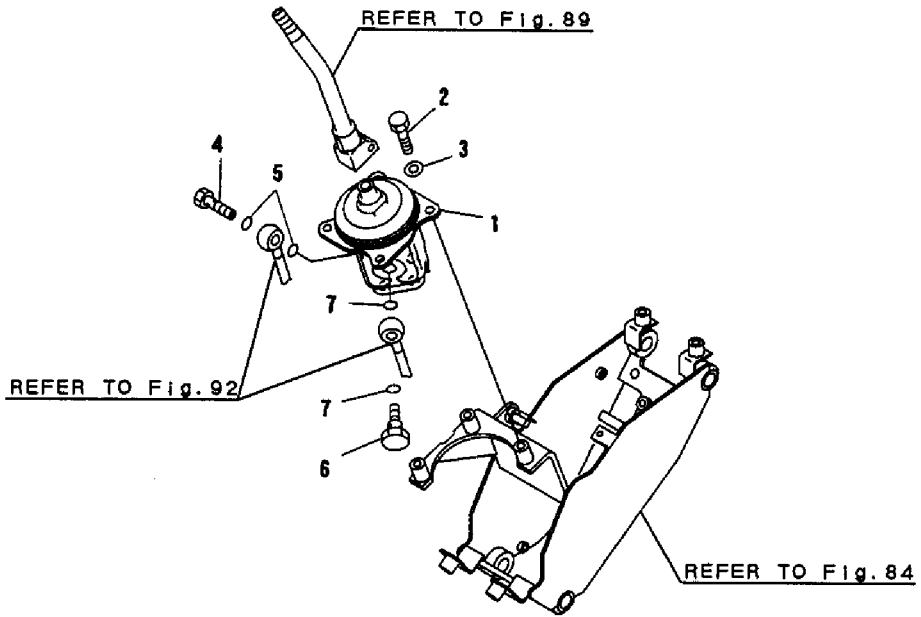
Fig. **90** フロアフレーム (旋回コントロールレバー, 左) (ワンタッチデセル)
FLOOR FRAME (SWING CONTROL LEVER, LEFT) (ONE TOUCH DECEL)



REFER TO Fig. 84

1,1,,182901-40740,, "PILOT VALVE",1,,,,,,,,1,,,,,,,,,
2,1,,182900-64830,, BOLT,3,,,,,,,,,
3,1,,953KM0-00221,, WASHER,3,,,,,,,,,
4,1,,953KM0-03806,, PLUG,1,,,,,,,,,
5,1,,24315-000180,, "O-RING 1B P-18.0",2,,,,,,,,,
6,1,,953KM0-03834,, "BOLT,EYE",1,,,,,,,,,
7,1,,24315-000180,, "O-RING 1B P-18.0",2,,,,,,,,,

Fig. 91 フロアフレーム (パイロットバルブ, 左)
FLOOR FRAME (PILOT VALVE, LEFT)

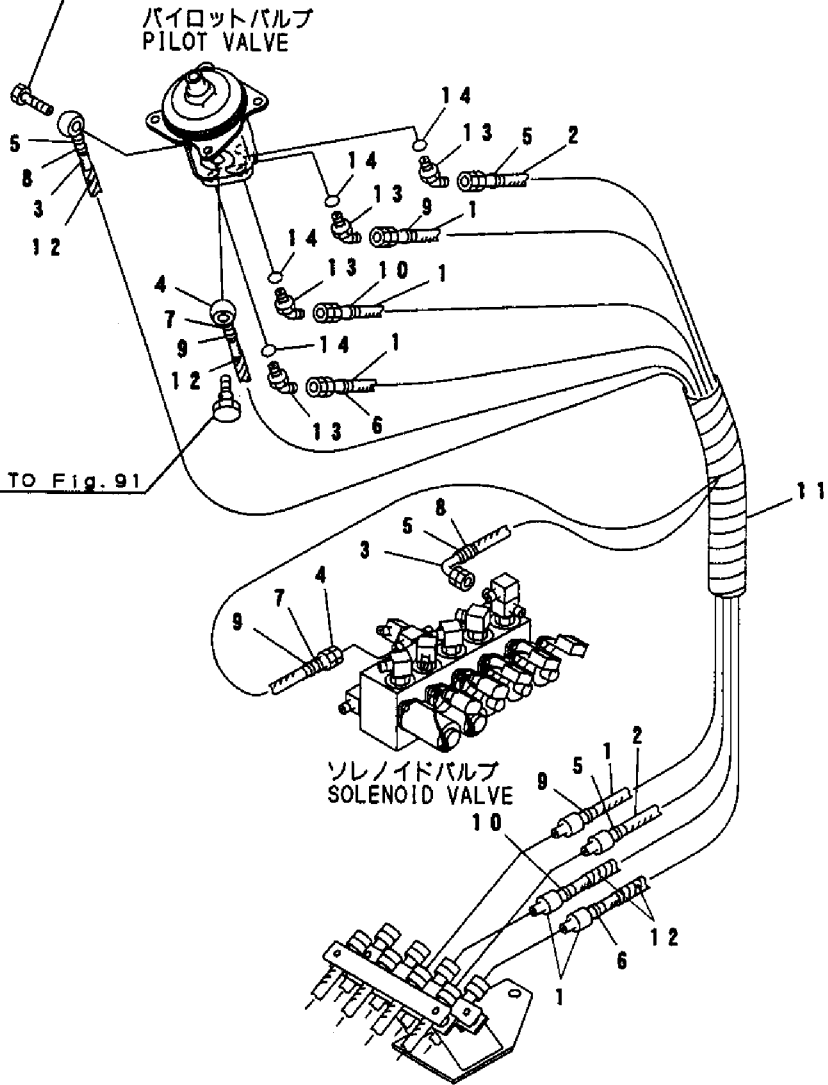


1,1,,182901-32010,,HOSE,3,,,,,,,,,,,,,
1-1,1,,182901-50490,,HOSE,3,,,,,,S,,*,M/#11001,,,,,,,,,I
2,1,,182901-32000,,HOSE,1,,,,,,,,,,,,,
2-1,1,,182901-50480,,HOSE,1,,,,,,S,,*,M/#11001,,,,,,,,,I
3,1,,182901-36010,,HOSE,1,,,,,,,,,,,,,
4,1,,182901-36020,,HOSE,1,,,,,,,,,,,,,
5,1,,182901-23590,,BAND,4,,,,,,,,,,,,,
6,1,,182901-23600,,BAND,2,,,,,,,,,,,,,
7,1,,182901-23610,,BAND,2,,,,,,,,,,,,,
8,1,,182901-23620,,BAND,2,,,,,,,,,,,,,
9,1,,182901-23630,,BAND,4,,,,,,,,,,,,,
10,1,,182901-23640,,BAND,2,,,,,,,,,,,,,
11,1,,182901-32020,,COVER,1,,,,,,,,,,,,,
12,1,,182901-32030,,TUBE,4,,,,,,,,,,,,,
13,1,,953KM0-00485,,ELBOW,4,,,,,,,,,,,,,
14,1,,953KM0-00388,,O-RING,4,,,,,,,,,,,,,

Fig. 92 フロアフレーム (パイロット配管, 左)
FLOOR FRAME (PILOT LINE, LEFT)

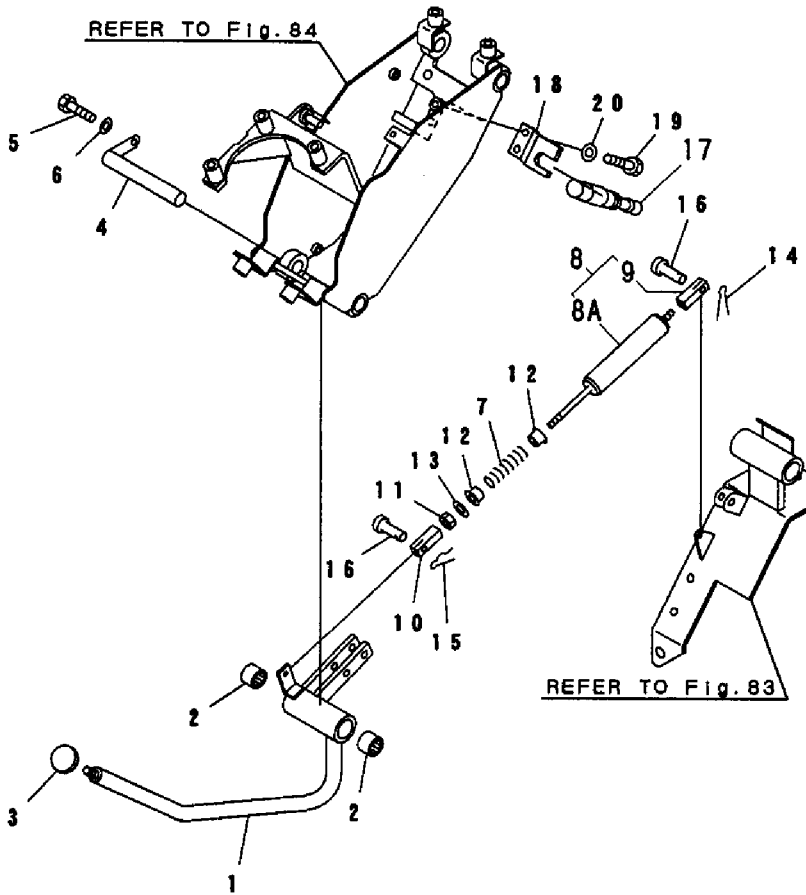
REFER TO Fig. 91

REFER TO Fig. 91



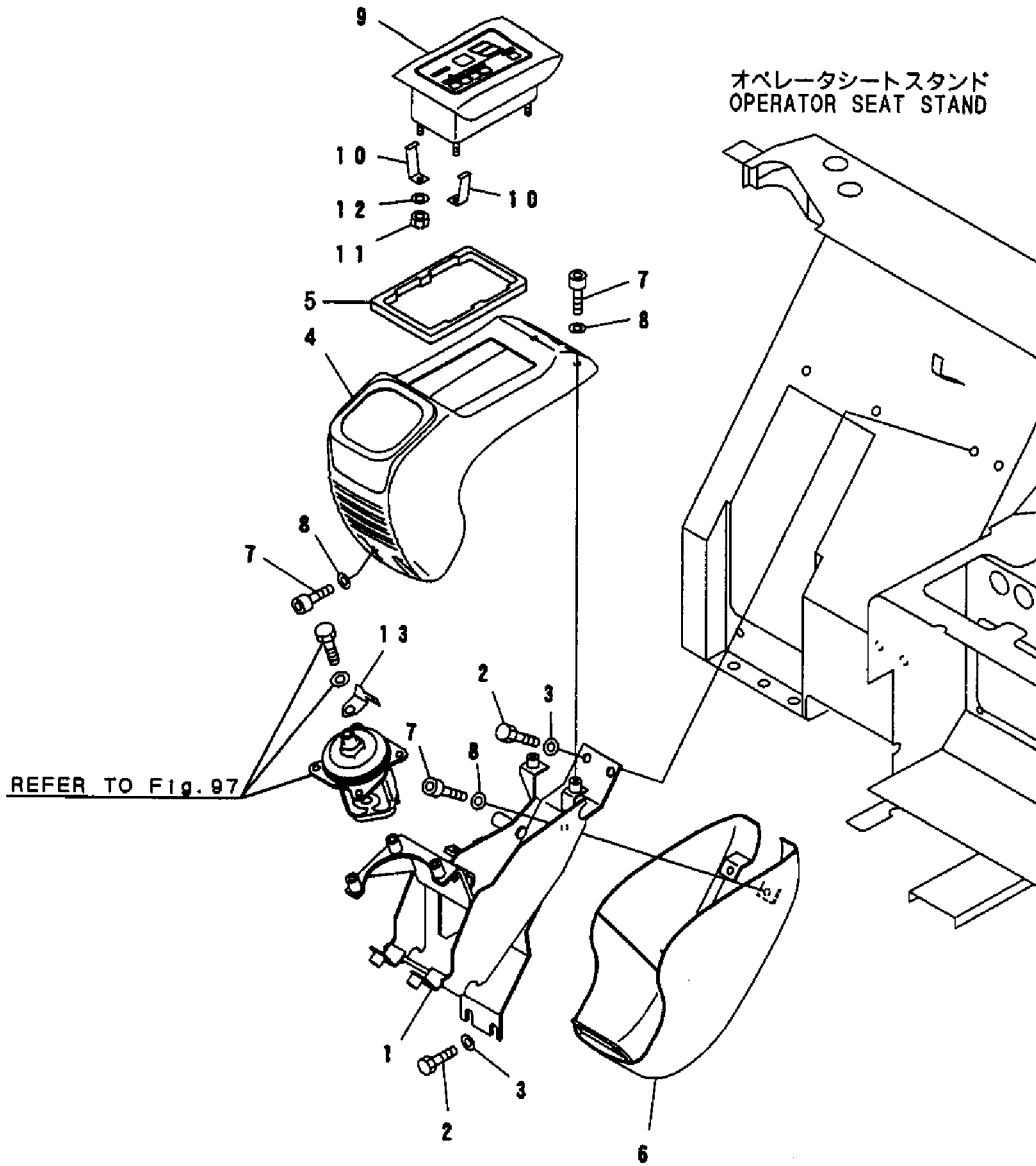
1,1,,182901-38510,,LEVER,1,,,,,,,,,,,,,
2,1,,182901-29570,,BEARING,2,,,,,,,,,,,,,
3,1,,953KM0-03958,,KNOB,1,,,,,,,,,,,,,
4,1,,182901-31700,,PIN,1,,,,,,,,,,,,,
5,1,,182900-64620,,BOLT,1,,,,,,,,,,,,,
6,1,,953KM0-00220,,WASHER,1,,,,,,,,,,,,,
7,1,,182901-39830,,SPRING,1,,,,,,,,,,,,,
8,1,,182901-31680,,SPRING,1,,,,,,,,,,,,,
8A,2,,182901-31710,,SPRING,1,,,,,,,,,,,,,
9,2,,953KM0-00296,,YOKE,1,,,,,,,,,,,,,
10,1,,953KM0-00296,,YOKE,1,,,,,,,,,,,,,
11,1,,953KM0-00178,,NUT,1,,,,,,,,,,,,,
12,1,,182901-31770,,COLLAR,2,,,,,,,,,,,,,
13,1,,953KM0-00205,,WASHER,1,,,,,,,,,,,,,
14,1,,22417-120120,, "COTTER PIN 1.2X12",1,,,,,,,,,,,,,
15,1,,22372-050000,, "SNAP PIN JASO 5",1,,,,,,,,,,,,,
16,1,,953KM0-00277,,PIN,2,,,,,,,,,,,,,
17,1,,182901-30980,, "SWITCH ASS'Y",1,,,,,,,,,,,,,
18,1,,182901-38540,,PLATE,1,,,,,,,,,,,,,
19,1,,182900-64840,,BOLT,2,,,,,,,,,,,,,
20,1,,953KM0-00221,,WASHER,2,,,,,,,,,,,,,

Fig. 93 フロアフレーム (ロックレバー, 左)
FLOOR FRAME (LOCK LEVER, LEFT)



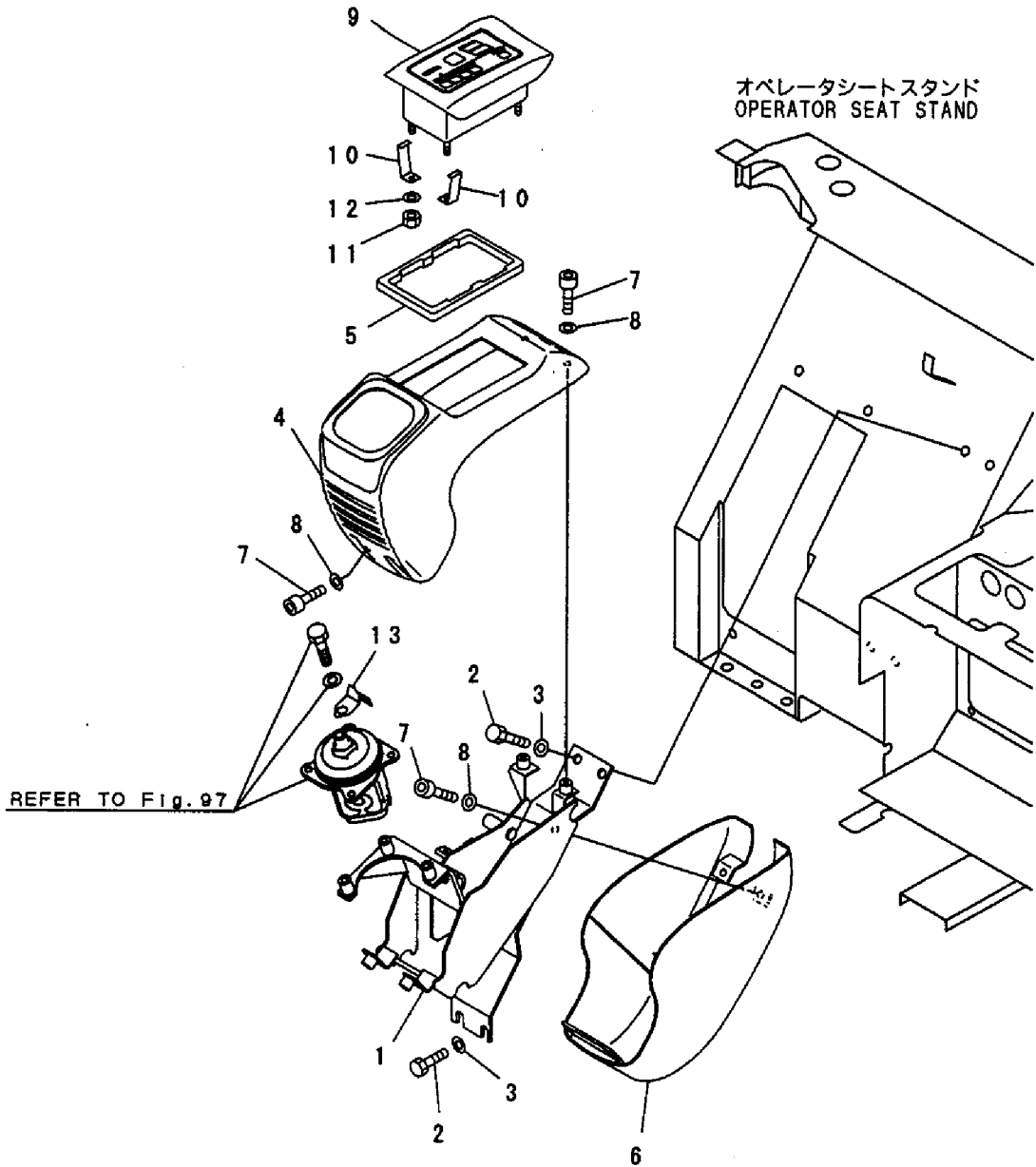
1,1,,182901-31660,,BRACKET,1,,,,,,,,,,,,,
2,1,,182901-28990,,BOLT,4,,,,,,,,,,,,,
3,1,,182900-33900,,WASHER,4,,,,,,,,,,,,,
4,1,,182901-33490,,COVER,1,,,,,,,,,,,,,
5,1,,182901-31920,,SHEET,1,,,,,,,,,,,,,
6,1,,182901-34620,,COVER,1,,,,,,,,,,,,,
7,1,,182900-26440,,BOLT,6,,,,,,,,,,,,,
8,1,,182900-33890,,WASHER,6,,,,,,,,,,,,,
9,1,,182901-42310,, "MONITOR ASS'Y",1,,,,,,,,,,,,,
10,1,,182901-31650,,BRACKET,4,,,,,,,,,,,,,
11,1,,953KM0-00179,,NUT,4,,,,,,,,,,,,,
12,1,,953KM0-00211,,WASHER,4,,,,,,,,,,,,,
13,1,,182901-38320,,CLIP,1,,,,,,,,,,,,,

Fig. 94 フロアフレーム (パネルボックス, 右)
 FLOOR FRAME (PANEL BOX, RIGHT)



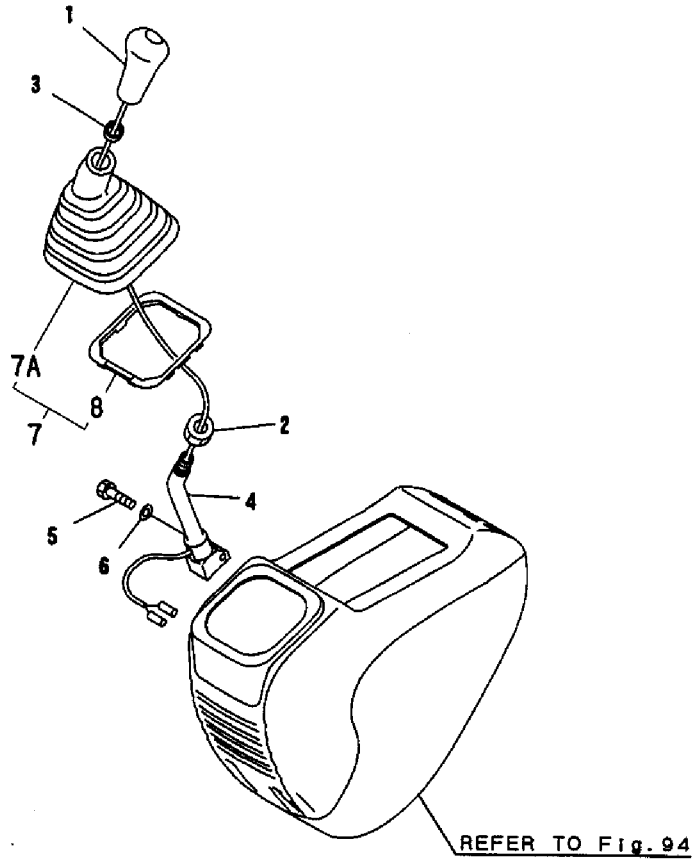
1,1,,182901-51370,,BRACKET,1,,,,,,,,,,,,,
2,1,,182901-28990,,BOLT,4,,,,,,,,,,,,,
3,1,,182900-33900,,WASHER,4,,,,,,,,,,,,,
4,1,,182901-33490,,COVER,1,,,,,,,,,,,,,
5,1,,182901-31920,,SHEET,1,,,,,,,,,,,,,
6,1,,182901-50440,,COVER,1,,,,,,,,,,,,,
7,1,,182900-26440,,BOLT,6,,,,,,,,,,,,,
8,1,,182900-33890,,WASHER,6,,,,,,,,,,,,,
9,1,,182901-42310,, "MONITOR ASS'Y",1,,,,,,,,,,,,,
10,1,,182901-31650,,BRACKET,4,,,,,,,,,,,,,
11,1,,953KM0-00179,,NUT,4,,,,,,,,,,,,,
12,1,,953KM0-00211,,WASHER,4,,,,,,,,,,,,,
13,1,,182901-38320,,CLIP,1,,,,,,,,,,,,,

Fig. **95** フロアフレーム (パネルボックス, 右) (ワンタッチデセル)
 FLOOR FRAME (PANEL BOX, RIGHT) (ONE TOUCH DECEL)



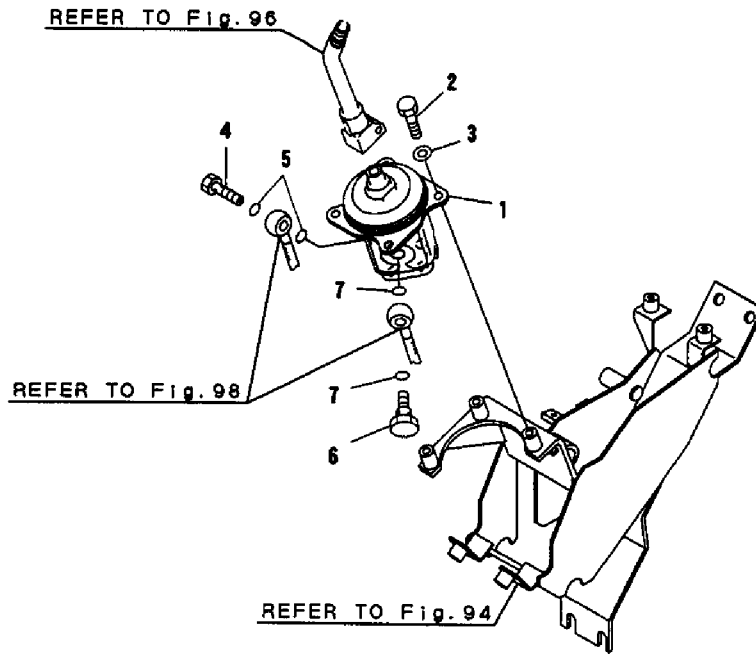
1,1,,182900-84000,, "SWITCH, KNOB",1,,,,,,,,,,,,,
2,1,,182900-35420,, NUT,1,,,,,,,,,,,,,
3,1,,182901-31690,, COLLAR,1,,,,,,,,,,,,,
4,1,,182901-31760,, LEVER,1,,,,,,,,,,,,,
5,1,,182900-68010,, BOLT,1,,,,,,,,,,,,,
6,1,,953KM0-00222,, WASHER,1,,,,,,,,,,,,,
7,1,,182901-31740,, "BOOT ASS'Y",1,,,,,,,,,,,,,
7A,2,,182901-31640,, BOOT,1,,,,,,,,,,,,,
8,2,,182901-31720,, BRACKET,1,,,,,,,,,,,,,

Fig. **96** フロアフレーム (バケットコントロールレバー, 右)
FLOOR FRAME (BUCKET CONTROL LEVER, RIGHT)



1,1,,182901-40740,, "PILOT VALVE",1,,,,,,,,1,,,,,,,,,
2,1,,182900-64830,, BOLT,3,,,,,,,,,
3,1,,953KM0-00221,, WASHER,3,,,,,,,,,
4,1,,953KM0-03806,, PLUG,1,,,,,,,,,
5,1,,24315-000180,, "O-RING 1B P-18.0",2,,,,,,,,,
6,1,,953KM0-03834,, "BOLT,EYE",1,,,,,,,,,
7,1,,24315-000180,, "O-RING 1B P-18.0",2,,,,,,,,,

Fig. 97 フロアフレーム (パイロットバルブ, 右)
FLOOR FRAME (PILOT VALVE, RIGHT)

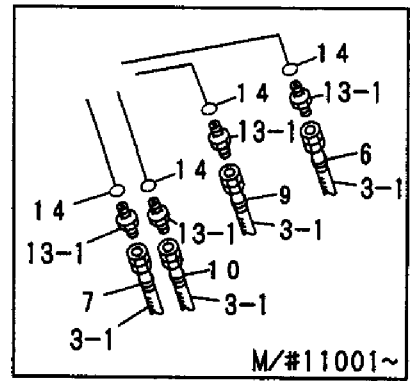


1,1,,182901-30850,,HOSE,1,,,,,,,,,,,,,
2,1,,182901-30850,,HOSE,1,,,,,,,,,,,,,
3,1,,182901-36030,,HOSE,4,,,,,,,,,,,,,
3-1,1,,182901-51180,,HOSE,4,,,,,S,,*,M/#11001,,,,,,,,,I
4,1,,182901-36040,,COVER,1,,,,,,,,,,,,,
5,1,,182901-36050,,COVER,2,,,,,,,,,,,,,
6,1,,182901-23570,,BAND,2,,,,,,,,,,,,,
7,1,,182901-23580,,BAND,2,,,,,,,,,,,,,
8,1,,182901-23590,,BAND,2,,,,,,,,,,,,,
9,1,,182901-23610,,BAND,4,,,,,,,,,,,,,
10,1,,182901-23620,,BAND,4,,,,,,,,,,,,,
11,1,,182901-23630,,BAND,2,,,,,,,,,,,,,
12,1,,182901-32030,,TUBE,2,,,,,,,,,,,,,
13,1,,953KM0-00485,,ELBOW,4,,,,,,,,,,,,,
13-1,1,,953KM0-03702,,NIPPLE,4,,,,,S,,*,M/#11001,,,,,,,,,I
14,1,,953KM0-00388,,O-RING,4,,,,,,,,,,,,,

Fig. 98 フロアフレーム (パイロット配管, 右)
 FLOOR FRAME (PILOT LINE, RIGHT)

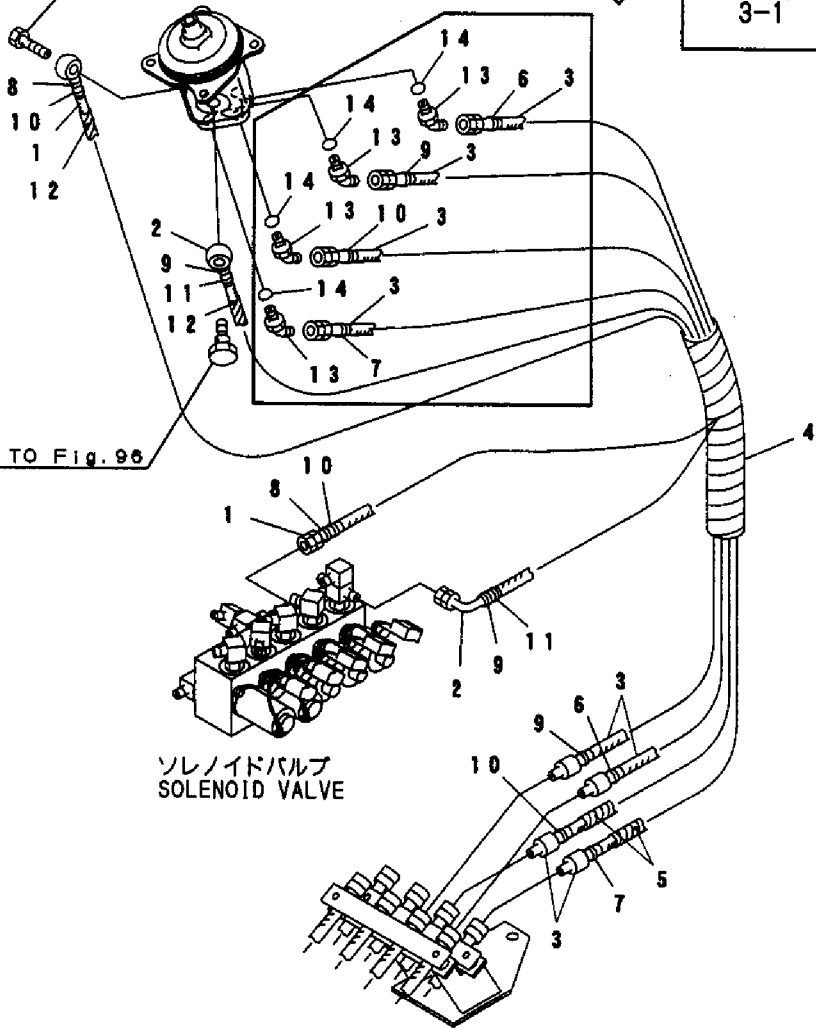
REFER TO Fig. 96

パイロットバルブ
 PILOT VALVE



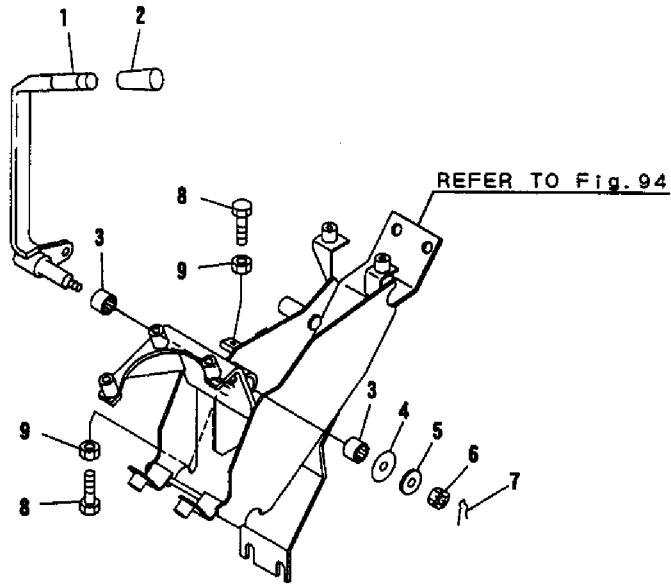
REFER TO Fig. 96

ソレノイドバルブ
 SOLENOID VALVE



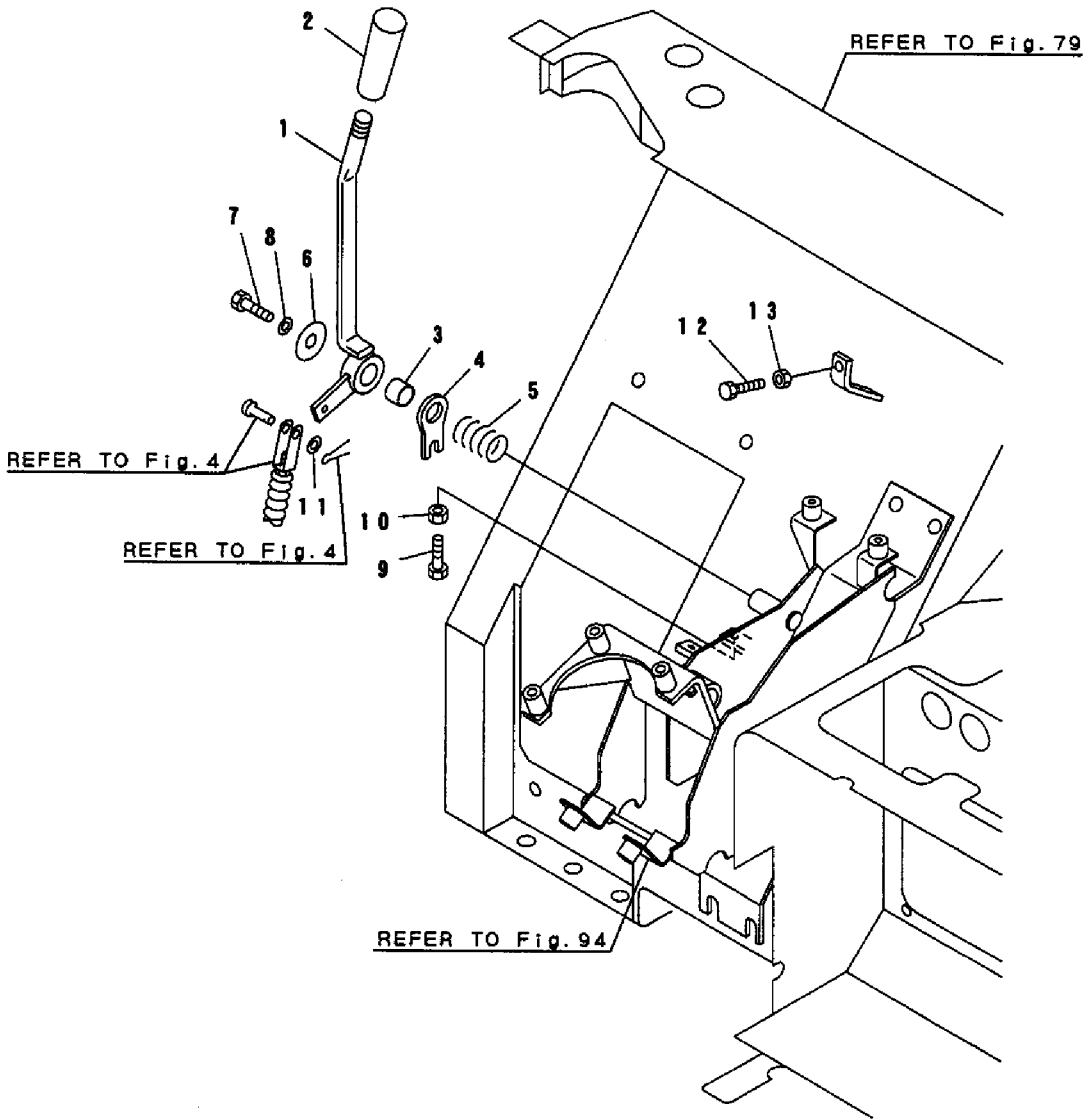
1,1,,182901-32700,,LEVER,1,,,,,,,,,,,,,
2,1,,953KM0-03632,,KNOB,1,,,,,,,,,,,,,
3,1,,182901-29570,,BEARING,2,,,,,,,,,,,,,
4,1,,182901-30740,,CUSHION,1,,,,,,,,,,,,,
5,1,,182900-34670,,WASHER,1,,,,,,,,,,,,,
6,1,,182900-24510,,NUT,1,,,,,,,,,,,,,
7,1,,22372-080000,, "SNAP PIN (JASO 8)",1,,,,,,,,,,,,,
8,1,,953KM0-00140,,BOLT,2,,,,,,,,,,,,,
9,1,,953KM0-00180,,NUT,2,,,,,,,,,,,,,

Fig. **99** フロアフレーム (ブレードコントロールレバー, 右)
FLOOR FRAME (BLADE CONTROL LEVER, RIGHT)



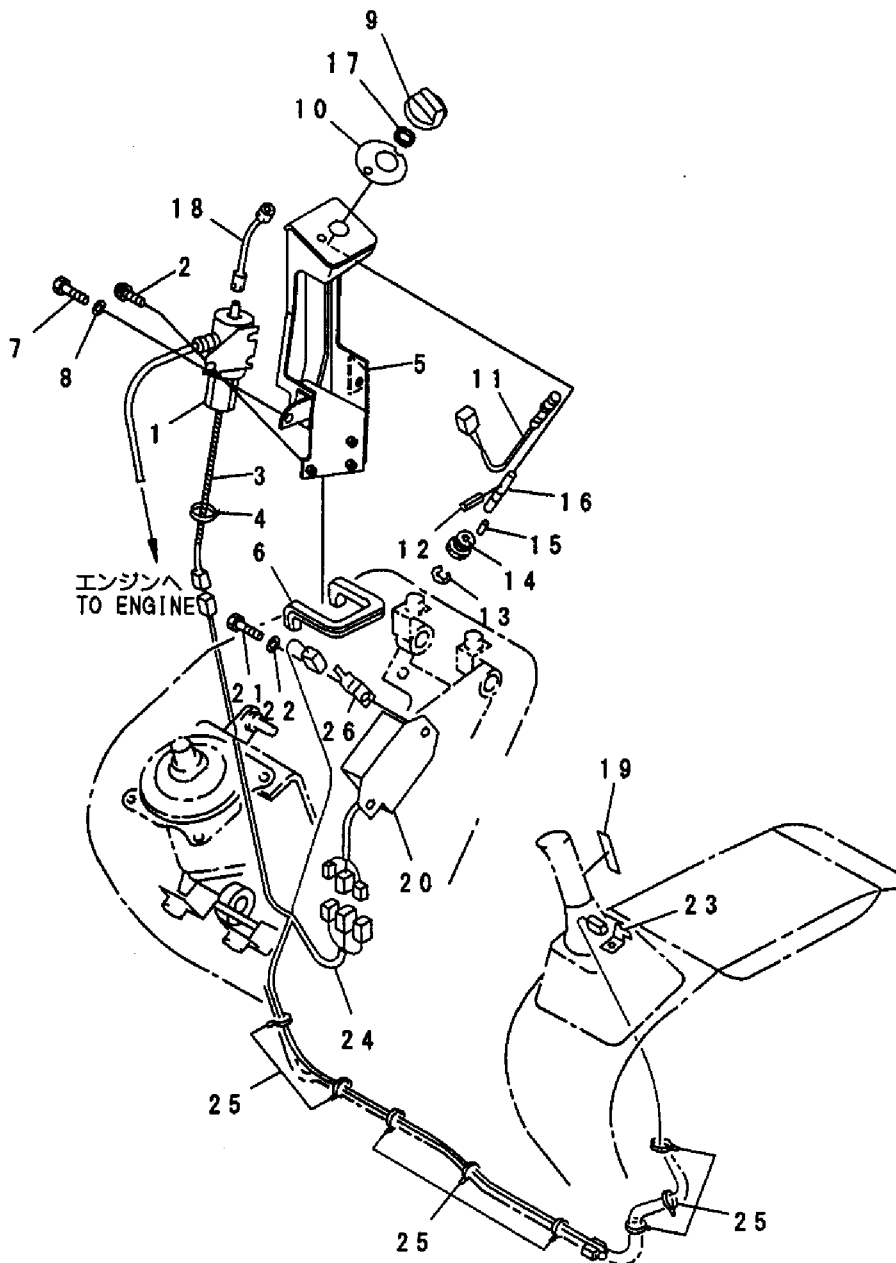
1,1,,182901-32630,,LEVER,1,,,,,,,,,,,,,
2,1,,953KM0-03632,,KNOB,1,,,,,,,,,,,,,
3,1,,182900-11190,,BUSHING,1,,,,,,,,,,,,,
4,1,,182901-23280,,PLATE,1,,,,,,,,,,,,,
5,1,,182901-38520,,SPRING,1,,,,,,,,,,,,,
6,1,,182901-30180,,WASHER,1,,,,,,,,,,,,,
7,1,,182900-64830,,BOLT,1,,,,,,,,,,,,,
8,1,,953KM0-00221,,WASHER,1,,,,,,,,,,,,,
9,1,,953KM0-00140,,BOLT,1,,,,,,,,,,,,,
10,1,,953KM0-00180,,NUT,1,,,,,,,,,,,,,
11,1,,953KM0-00205,,WASHER,1,,,,,,,,,,,,,
12,1,,182901-34010,,BOLT,1,,,,,,,,,,,,,
13,1,,953KM0-00180,,NUT,1,,,,,,,,,,,,,

Fig. 100 フロアフレーム (アクセルコントロールレバー, 右)
FLOOR FRAME (ACCEL CONTROL LEVER, RIGHT)



1,1,,182901-51670,, "MOTOR ASS'Y",1,,,,,,,,,,,,,,,,,,,,,
2,1,,182900-44350,, SCREW,3,,,,,,,,,,,,,,,,,,,,,
3,1,,182901-29990,, "SPIRAL TUBE",1,,,,,,,,,,,,,,,,,,,,,
4,1,,182900-34520,, BAND,1,,,,,,,,,,,,,,,,,,,,,
5,1,,182901-51380,, BRACKET,1,,,,,,,,,,,,,,,,,,,,,
6,1,,182901-50510,, SEAL,1,,,,,,,,,,,,,,,,,,,,,
7,1,,182900-67980,, BOLT,2,,,,,,,,,,,,,,,,,,,,,
8,1,,953KM0-00221,, WASHER,2,,,,,,,,,,,,,,,,,,,,,
9,1,,182900-66000,, DIAL,1,,,,,,,,,,,,,,,,,,,,,
10,1,,182900-72780,, "PLATE, OPERATING",1,,,,,,,,,,,,,,,,,,,,,
11,1,,182901-51730,, LAMP,1,,,,,,,,,,,,,,,,,,,,,
12,1,,182900-72660,, PIN,1,,,,,,,,,,,,,,,,,,,,,
13,1,,182900-57680,, PLATE,1,,,,,,,,,,,,,,,,,,,,,
14,1,,182900-72680,, BOSS,1,,,,,,,,,,,,,,,,,,,,,
15,1,,182900-68170,, PIN,1,,,,,,,,,,,,,,,,,,,,,
16,1,,182901-50520,, SHAFT,1,,,,,,,,,,,,,,,,,,,,,
17,1,,182900-57700,, BOSS,1,,,,,,,,,,,,,,,,,,,,,
18,1,,182901-51400,, SHAFT,1,,,,,,,,,,,,,,,,,,,,,
19,1,,182900-72790,, PLATE,1,,,,,,,,,,,,,,,,,,,,,
20,1,,182900-69800,, "CONTROLLER ASS'Y",1,,,,,,,,,,,,,,,,,,,,,
21,1,,182900-67980,, BOLT,2,,,,,,,,,,,,,,,,,,,,,
22,1,,953KM0-00221,, WASHER,2,,,,,,,,,,,,,,,,,,,,,
23,1,,182901-38320,, CLIP,1,,,,,,,,,,,,,,,,,,,,,
24,1,,182901-51360,, "WIRING HARNESS",1,,,,,,,,,,,,,,,,,,,,,
25,1,,182900-44660,, BAND,8,,,,,,,,,,,,,,,,,,,,,
26,1,,953KM0-03626,, CLIP,1,,,,,,,,,,,,,,,,,,,,,

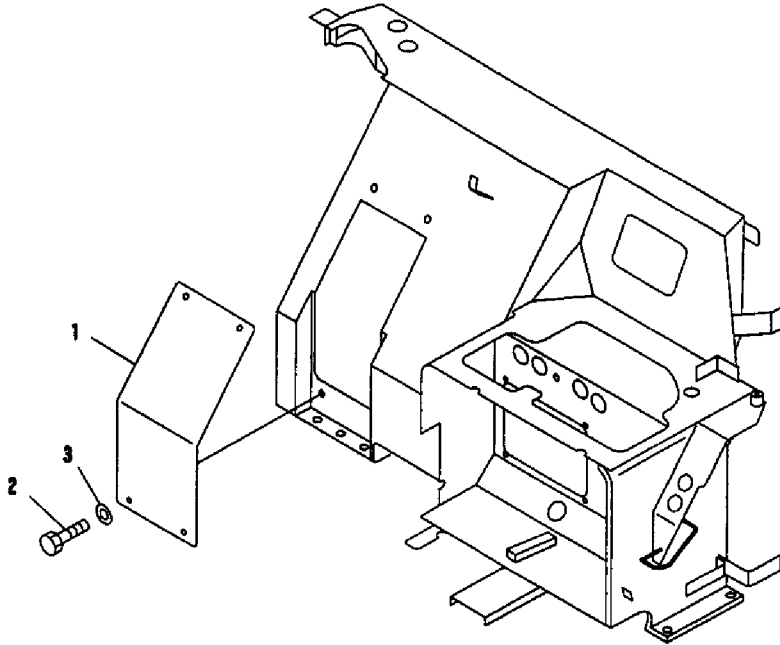
Fig. 101 フロアフレーム (ワンタッチデセル)
FLOOR FRAME (ONE TOUCH DECEL)



1,1,,182901-33010,,COVER,1,,,,,,,,,,,,,
2,1,,182901-28980,,BOLT,4,,,,,,,,,,,,,
3,1,,182900-33900,,WASHER,4,,,,,,,,,,,,,

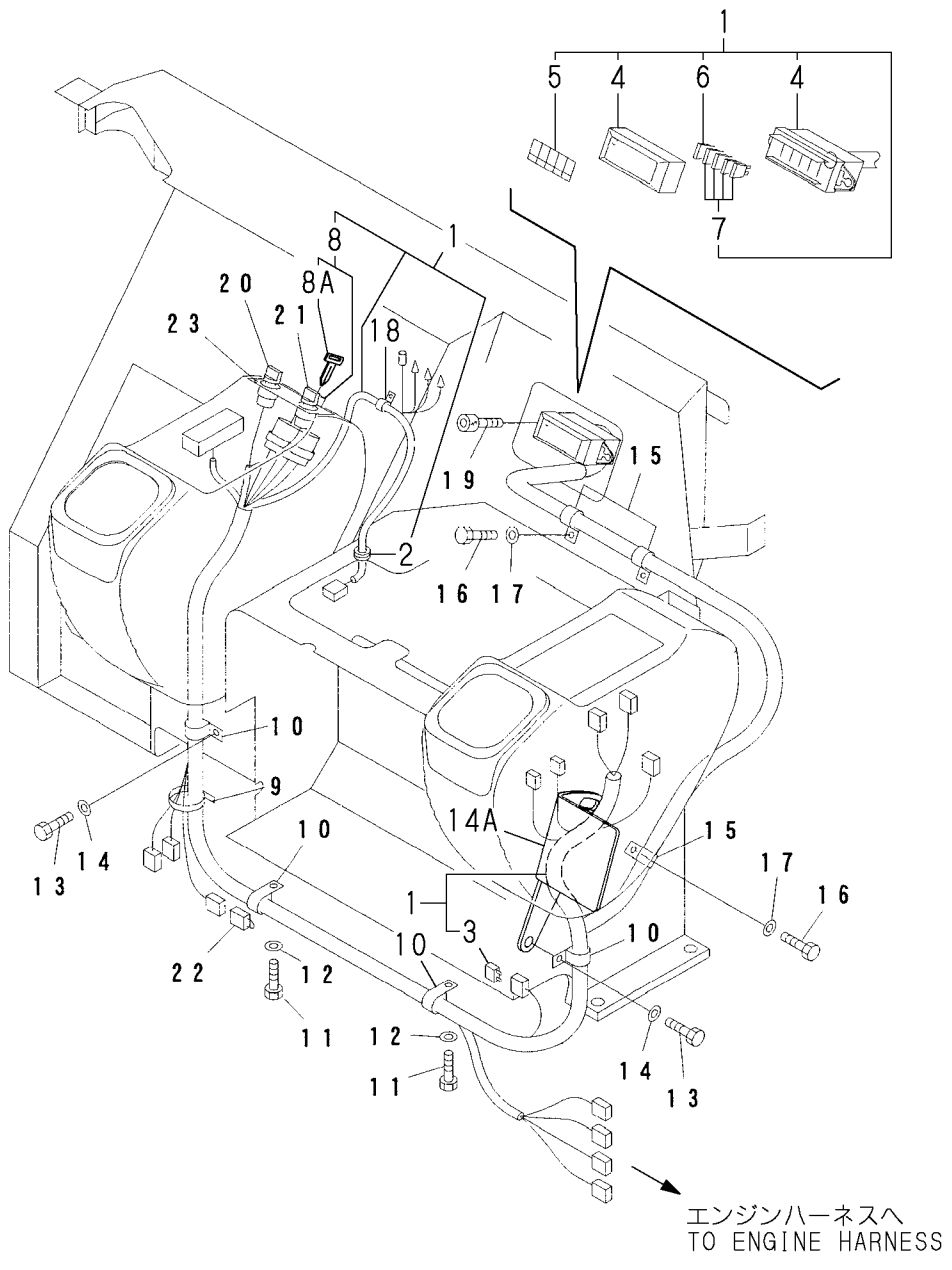
Fig. **102** フロアフレーム (カバー)
FLOOR FRAME (COVER)

オペレータシートスタンド
OPERATOR SEAT STAND



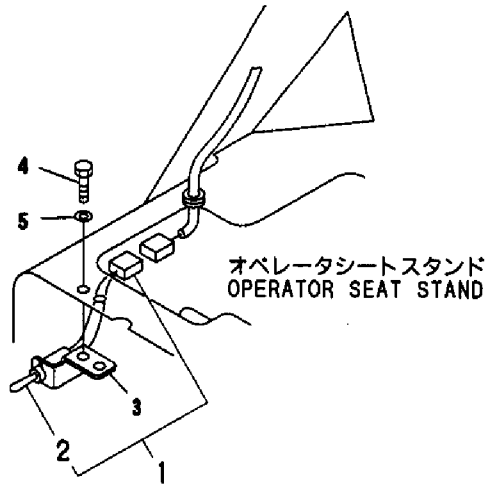
1,1,,182901-32520,, "WIRING HARNESS",1,,,,,,,,,,,,,,,,,,,,,
2,2,,182900-14540,, GROMMET,2,,,,,,,,,,,,,,,,,,,,,
3,2,,182901-39800,, "FUSE, 3A",1,,,,,,,,,,,,,,,,,,,,,
4,2,,182900-26200,, "FUSE BOX",1,,,,,,,,,,,,,,,,,,,,,
5,2,,182901-31590,, PLATE,1,,,,,,,,,,,,,,,,,,,,,
6,2,,953KM0-03906,, "FUSE,30A",2,,,,,,,,,,,,,,,,,,,,,
7,2,,953KM0-03905,, "FUSE,20A",5,,,,,,,,,,,,,,,,,,,,,
8,2,,182900-23670,, "SWITCH ASSY,STARTER",1,,,,,,,,,,,,,,,,,,,,,I
8A,3,,194155-52160,, KEY,1,,,,,,,,,,,,,,,,,,,,,I
9,1,,953KM0-00550,, BAND,1,,,,,,,,,,,,,,,,,,,,,
10,1,,182900-34000,, CLIP,4,,,,,,,,,,,,,,,,,,,,,
11,1,,182900-67990,, BOLT,2,,,,,,,,,,,,,,,,,,,,,
12,1,,953KM0-00222,, WASHER,2,,,,,,,,,,,,,,,,,,,,,
13,1,,182901-29000,, BOLT,2,,,,,,,,,,,,,,,,,,,,,
14,1,,182900-33900,, WASHER,2,,,,,,,,,,,,,,,,,,,,,
14A,1,,182901-50630,, GUIDE,1,,,,,,,,,,,,,,,,,,,,,
15,1,,182900-14140,, CLIP,3,,,,,,,,,,,,,,,,,,,,,
16,1,,182901-28980,, BOLT,3,,,,,,,,,,,,,,,,,,,,,
17,1,,182900-33900,, WASHER,3,,,,,,,,,,,,,,,,,,,,,
18,1,,182901-29500,, CLIP,1,,,,,,,,,,,,,,,,,,,,,
19,1,,182900-26440,, BOLT,2,,,,,,,,,,,,,,,,,,,,,
20,1,,182900-13760,, SWITCH,1,,,,,,,,,,,,,,,,,,,,,
21,1,,182900-13770,, SWITCH,1,,,,,,,,,,,,,,,,,,,,,
22,1,,182900-26630,, WIRE,1,,,,,,,,,,,,,,,,,,,,,
23,1,,182901-37570,, PLATE,1,,,,,,,,,,,,,,,,,,,,,

Fig. 103 フロアフレーム (電装品) FLOOR FRAME (ELECTRIC PART)



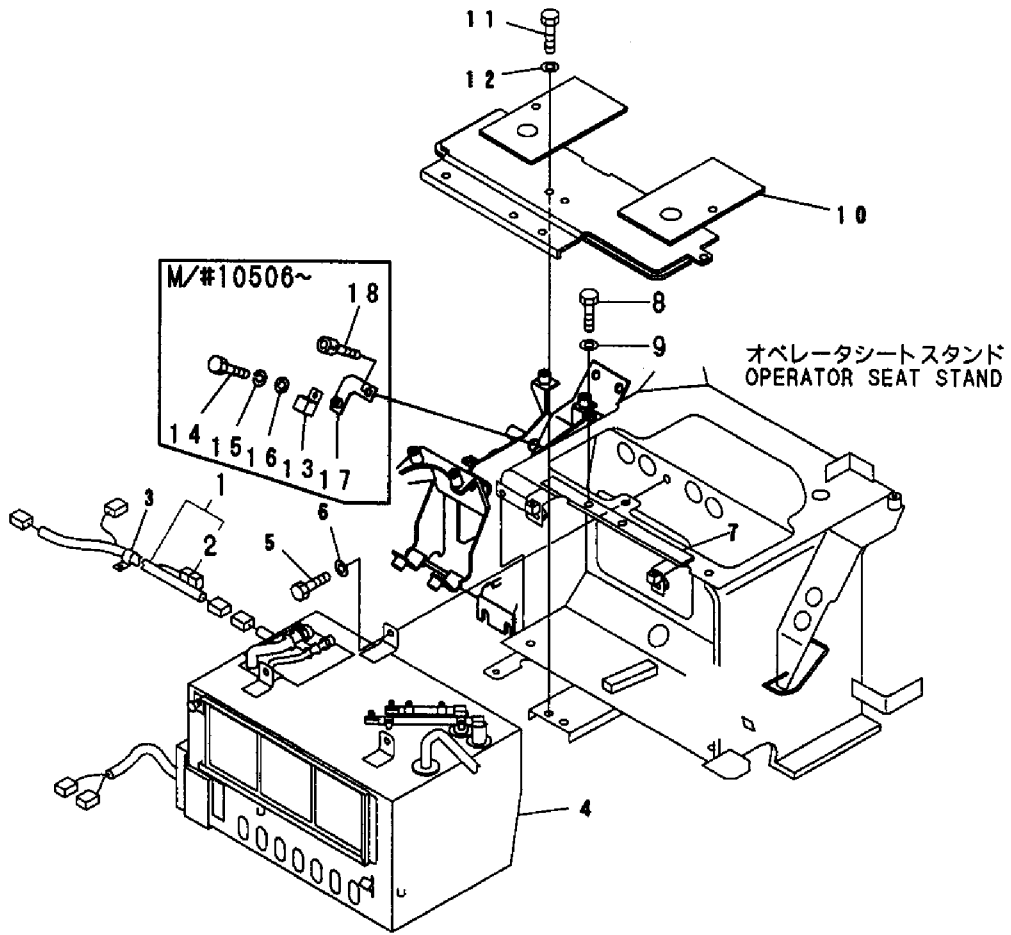
1,1,,182901-32480,, "WIRING HARNESS",1,,,,,,,,,,,,,,,,,,,,,
2,2,,953KM0-03690,, "SWITCH,CANCEL",1,,,,,,,,,,,,,,,,,,,,,
3,1,,182901-34450,, PLATE,1,,,,,,,,,,,,,,,,,,,,,
4,1,,182900-33600,, BOLT,2,,,,,,,,,,,,,,,,,,,,,
5,1,,182900-33890,, WASHER,2,,,,,,,,,,,,,,,,,,,,,

Fig. **104** フロアフレーム (リセットスイッチ)
FLOOR FRAME (RESET SWITCH)



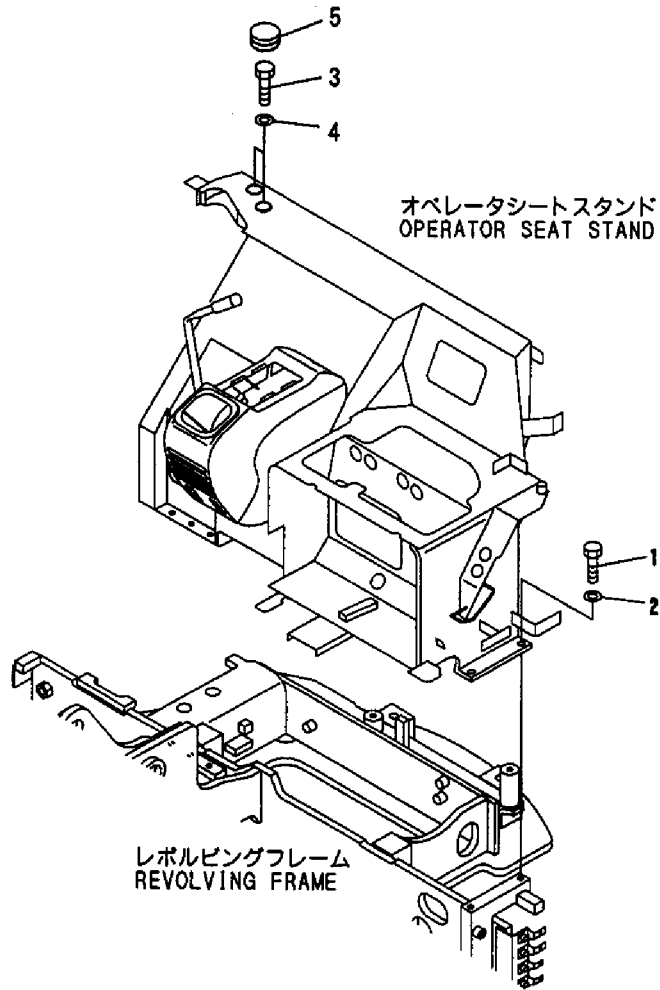
1,1,,182901-37250,, "WIRING HARNESS",1,,,,,,,,,,,,,
1-1,1,,182901-51460,, "WIRING HARNESS",1,,,,,S,,*,M/#10506,,,,,,,,,I
2,2,,953KM0-03905,, "FUSE,20A",1,,,,,,,,,,,,,
3,1,,182900-34580,,CLIP,1,,,,,,,,,,,,,
4,1,,182901-40560,, "AIR CONDITIONER",1,,,,,,,,,,,,,
5,1,,182900-68000,,BOLT,3,,,,,,,,,,,,,
6,1,,953KM0-00222,,WASHER,3,,,,,,,,,,,,,
7,1,,182901-37180,,BRACKET,1,,,,,,,,,,,,,
8,1,,182900-64860,,BOLT,2,,,,,,,,,,,,,
9,1,,953KM0-00222,,WASHER,2,,,,,,,,,,,,,
10,1,,182901-37160,,PLATE,1,,,,,,,,,,,,,
11,1,,182900-68000,,BOLT,4,,,,,,,,,,,,,
12,1,,953KM0-00222,,WASHER,4,,,,,,,,,,,,,
13,1,,182900-42340,, "RELAY ASS'Y",1,,,,,W,,*,M/#10506,,,,,,,,,I
14,1,,182900-13930,,SCREW,1,,,,,W,,*,M/#10506,,,,,,,,,I
15,1,,953KM0-00200,, "WASHER, SPRING",1,,,,,W,,*,M/#10506,,,,,,,,,I
16,1,,953KM0-00205,,WASHER,1,,,,,W,,*,M/#10506,,,,,,,,,I
17,1,,182901-51480,,BRACKET,1,,,,,W,,*,M/#10506,,,,,,,,,I
18,1,,182901-50160,,BOLT,1,,,,,W,,*,M/#10506,,,,,,,,,I

Fig. 105 フロアフレーム (エアコン)
 FLOOR FRAME (AIR CON)



1,1,,182900-64350,,BOLT,4,,,,,,,,,,,,,,,,,,,,,
2,1,,953KM0-00048,,WASHER,4,,,,,,,,,,,,,,,,,,,,,
3,1,,182901-50140,,BOLT,2,,,,,,,,,,,,,,,,,,,,,I
4,1,,953KM0-00048,,WASHER,2,,,,,,,,,,,,,,,,,,,,,I
5,1,,953KM0-00602,,CAP,2,,,,,,,,,,,,,,,,,,,,,I

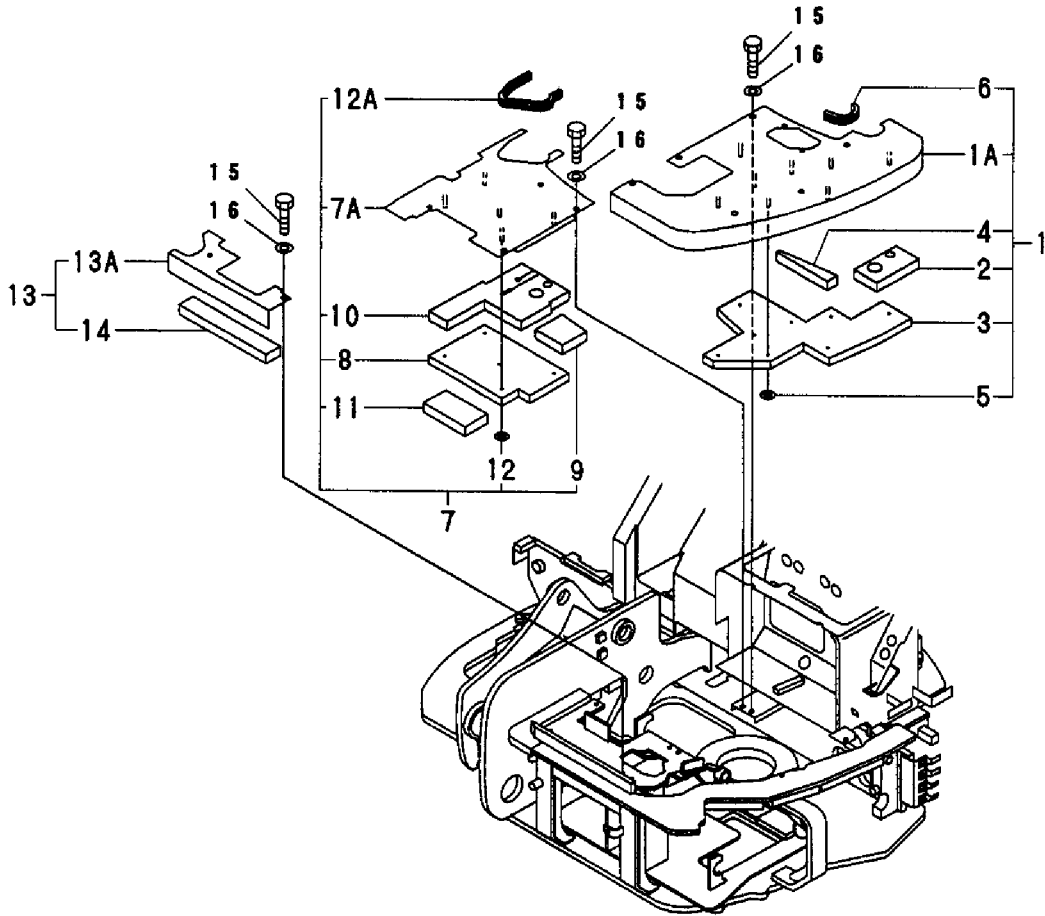
Fig. **106** フロアフレーム (マウント)
FLOOR FRAME (MOUNT)



1,1,,182901-33990,, "PLATE ASS'Y",1,,,,,,,,,,,,,,,,,,,,,
1A,2,,182901-32980,, "PLATE ASS'Y",1,,,,,,,,,,,,,,,,,,,,,
2,2,,182901-33380,, SHEET,1,,,,,,,,,,,,,,,,,,,,,
3,2,,182901-33390,, SHEET,1,,,,,,,,,,,,,,,,,,,,,
4,2,,182901-33400,, SHEET,1,,,,,,,,,,,,,,,,,,,,,
5,2,,182901-38750,, WASHER,8,,,,,,,,,,,,,,,,,,,,,
6,2,,182901-38870,, SEAL,1,,,,,,,,,,,,,,,,,,,,,
7,1,,182901-34000,, "PLATE ASS'Y",1,,,,,,,,,,,,,,,,,,,,,
7A,2,,182901-33070,, "PLATE ASS'Y",1,,,,,,,,,,,,,,,,,,,,,
8,2,,182901-33410,, SHEET,1,,,,,,,,,,,,,,,,,,,,,
9,2,,182901-33450,, SHEET,1,,,,,,,,,,,,,,,,,,,,,
10,2,,182901-33460,, SHEET,1,,,,,,,,,,,,,,,,,,,,,
11,2,,182901-33470,, SHEET,1,,,,,,,,,,,,,,,,,,,,,
12,2,,182901-38750,, WASHER,5,,,,,,,,,,,,,,,,,,,,,
12A,2,,182901-34440,, SEAL,1,,,,,,,,,,,,,,,,,,,,,I
13,1,,182901-34300,, "PLATE ASS'Y",1,,,,,,,,,,,,,,,,,,,,,
13A,2,,182901-34280,, PLATE,1,,,,,,,,,,,,,,,,,,,,,
14,2,,182901-33480,, SHEET,1,,,,,,,,,,,,,,,,,,,,,
15,1,,182900-68000,, BOLT,11,,,,,,,,,,,,,,,,,,,,,
16,1,,953KM0-00222,, WASHER,11,,,,,,,,,,,,,,,,,,,,,

Fig. **107** フロアカバー (フロアプレート, キャノピ, 旧形)
 FLOOR COVER (FLOOR PLATE, CANOPY, PREVIOUS)

~M/#11000

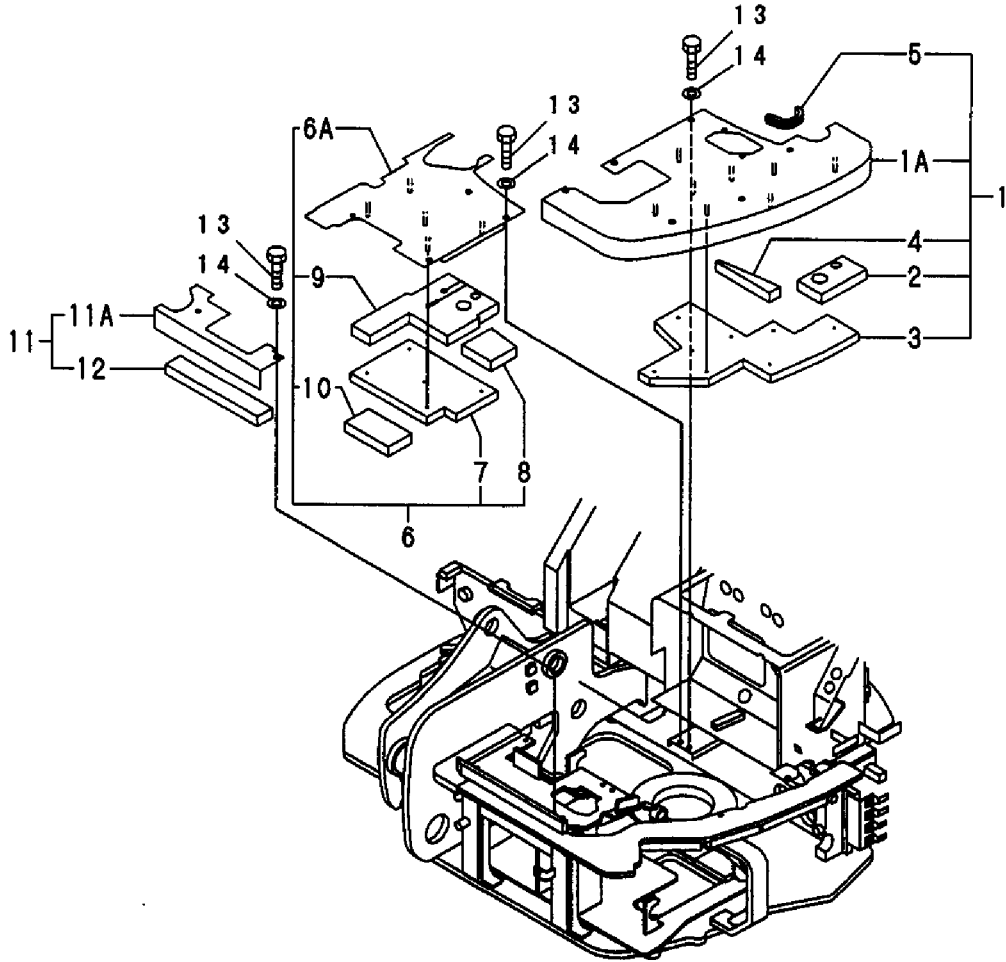


レボルピングフレーム
 REVOLVING FRAME

1,1,,182901-50870,, "PLATE ASS'Y",1,,,,,,,,,,,,,,,,,,,,,
1A,2,,182901-50680,, PLATE,1,,,,,,,,,,,,,,,,,,,,,
2,2,,182901-33380,, SHEET,1,,,,,,,,,,,,,,,,,,,,,
3,2,,182901-50710,, SHEET,1,,,,,,,,,,,,,,,,,,,,,
4,2,,182901-33400,, SHEET,1,,,,,,,,,,,,,,,,,,,,,
5,2,,182901-38870,, SEAL,1,,,,,,,,,,,,,,,,,,,,,
6,1,,182901-50880,, "PLATE ASS'Y",1,,,,,,,,,,,,,,,,,,,,,
6A,2,,182901-50690,, PLATE,1,,,,,,,,,,,,,,,,,,,,,
7,2,,182901-50720,, SHEET,1,,,,,,,,,,,,,,,,,,,,,
8,2,,182901-33450,, SHEET,1,,,,,,,,,,,,,,,,,,,,,
9,2,,182901-33460,, SHEET,1,,,,,,,,,,,,,,,,,,,,,
10,2,,182901-33470,, SHEET,1,,,,,,,,,,,,,,,,,,,,,
11,1,,182901-34300,, "PLATE ASS'Y",1,,,,,,,,,,,,,,,,,,,,,
11A,2,,182901-34280,, PLATE,1,,,,,,,,,,,,,,,,,,,,,
12,2,,182901-33480,, SHEET,1,,,,,,,,,,,,,,,,,,,,,
13,1,,182900-68000,, BOLT,11,,,,,,,,,,,,,,,,,,,,,
14,1,,953KM0-00222,, WASHER,11,,,,,,,,,,,,,,,,,,,,,

Fig. **108** フロアカバー (フロアプレート, キャノピ, 新形)
 FLOOR COVER (FLOOR PLATE, CANOPY, NEW)

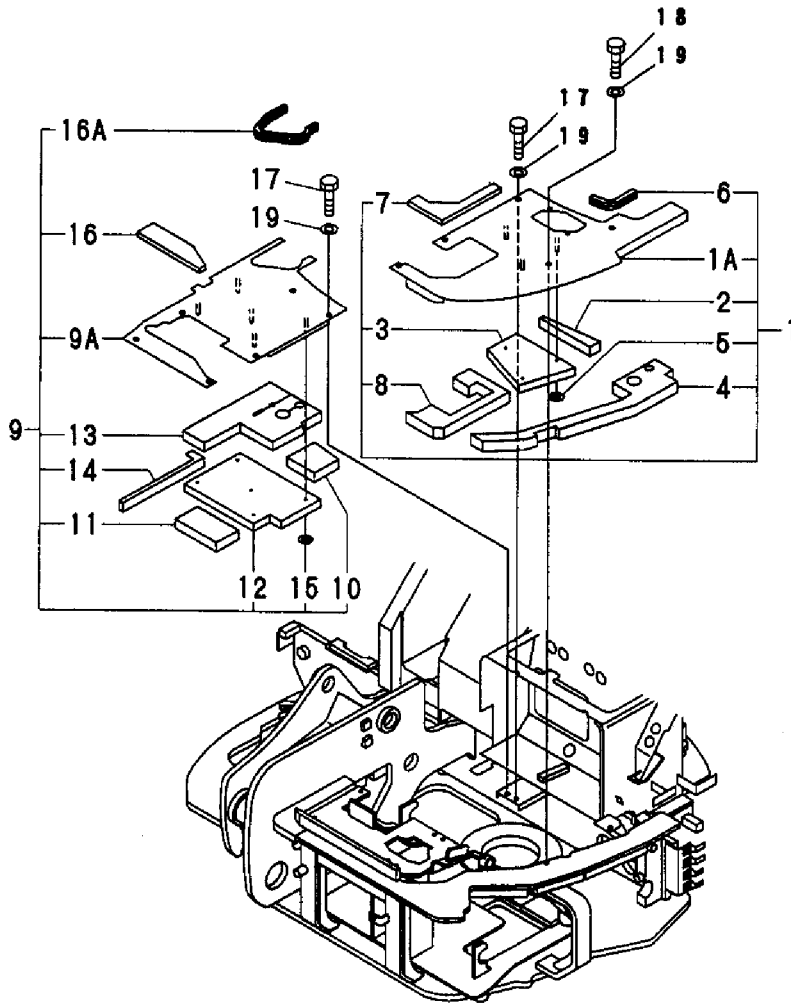
M/#11001~



レボルピングフレーム
 REVOLVING FRAME

1,1,,182901-34040,, "PLATE ASS'Y",1,,,,,,,,,,,,,
1A,2,,182901-33110,, PLATE,1,,,,,,,,,,,,,
2,2,,182901-33400,, SHEET,1,,,,,,,,,,,,,
3,2,,182901-34050,, SHEET,1,,,,,,,,,,,,,
4,2,,182901-34060,, SHEET,1,,,,,,,,,,,,,
5,2,,182901-38750,, WASHER,3,,,,,,,,,,,,,
6,2,,182901-38870,, SEAL,1,,,,,,,,,,,,,
7,2,,182901-34390,, SHEET,1,,,,,,,,,,,,,
8,2,,182901-34480,, SHEET,1,,,,,,,,,,,,,
9,1,,182901-34110,, "PLATE ASS'Y",1,,,,,,,,,,,,,
9A,2,,182901-33090,, PLATE,1,,,,,,,,,,,,,
10,2,,182901-33450,, SHEET,1,,,,,,,,,,,,,
11,2,,182901-33470,, SHEET,1,,,,,,,,,,,,,
12,2,,182901-34120,, SHEET,1,,,,,,,,,,,,,
13,2,,182901-34130,, SHEET,1,,,,,,,,,,,,,
14,2,,182901-34140,, SHEET,1,,,,,,,,,,,,,
15,2,,182901-38750,, WASHER,5,,,,,,,,,,,,,
16,2,,182901-34400,, SHEET,1,,,,,,,,,,,,,
16A,2,,182901-34440,, SEAL,1,,,,,,,,,,,,,I
17,1,,182900-68000,, BOLT,10,,,,,,,,,,,,,
18,1,,182900-68030,, BOLT,1,,,,,,,,,,,,,
19,1,,953KM0-00222,, WASHER,11,,,,,,,,,,,,,

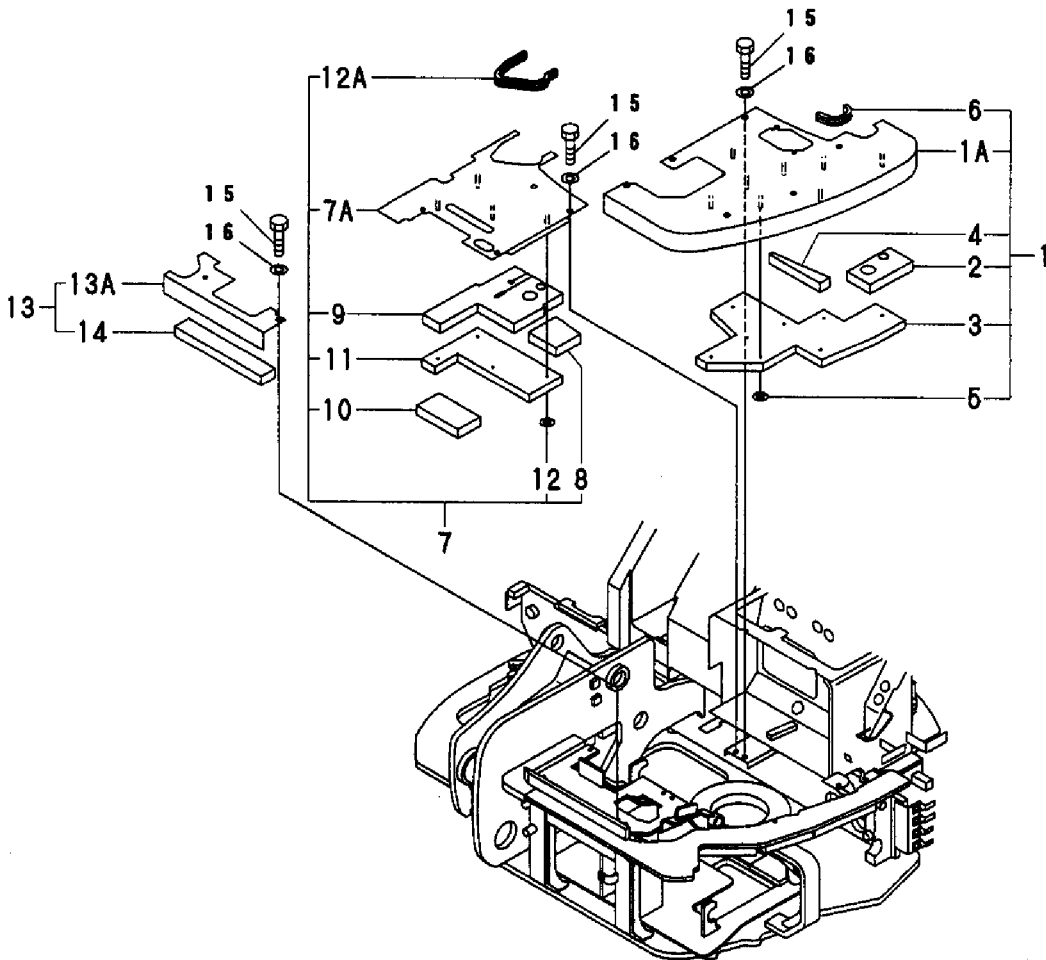
Fig. **109** フロアカバー (フロアプレート, キャビン)
 FLOOR COVER (FLOOR PLATE, CABIN)



レボルピングフレーム
 REVOLVING FRAME

1,1,,182901-33990,, "PLATE ASS'Y",1,,,,,,,,,,,,,,,,,,,,,
1A,2,,182901-32980,, "PLATE ASS'Y",1,,,,,,,,,,,,,,,,,,,,,
2,2,,182901-33380,, SHEET,1,,,,,,,,,,,,,,,,,,,,,
3,2,,182901-33390,, SHEET,1,,,,,,,,,,,,,,,,,,,,,
4,2,,182901-33400,, SHEET,1,,,,,,,,,,,,,,,,,,,,,
5,2,,182901-38750,, WASHER,8,,,,,,,,,,,,,,,,,,,,,
6,2,,182901-38870,, SEAL,1,,,,,,,,,,,,,,,,,,,,,
7,1,,182901-36980,, "PLATE ASS'Y",1,,,,,,,,,,,,,,,,,,,,,
7A,2,,182901-36950,, PLATE,1,,,,,,,,,,,,,,,,,,,,,
8,2,,182901-33450,, SHEET,1,,,,,,,,,,,,,,,,,,,,,
9,2,,182901-33460,, SHEET,1,,,,,,,,,,,,,,,,,,,,,
10,2,,182901-33470,, SHEET,1,,,,,,,,,,,,,,,,,,,,,
11,2,,182901-36970,, SHEET,1,,,,,,,,,,,,,,,,,,,,,
12,2,,182901-38750,, WASHER,4,,,,,,,,,,,,,,,,,,,,,
12A,2,,182901-34440,, SEAL,1,,,,,,,,,,,,,,,,,,,,,I
13,1,,182901-34300,, "PLATE ASS'Y",1,,,,,,,,,,,,,,,,,,,,,
13A,2,,182901-34280,, PLATE,1,,,,,,,,,,,,,,,,,,,,,
14,2,,182901-33480,, SHEET,1,,,,,,,,,,,,,,,,,,,,,
15,1,,182900-68000,, BOLT,11,,,,,,,,,,,,,,,,,,,,,
16,1,,953KM0-00222,, WASHER,11,,,,,,,,,,,,,,,,,,,,,

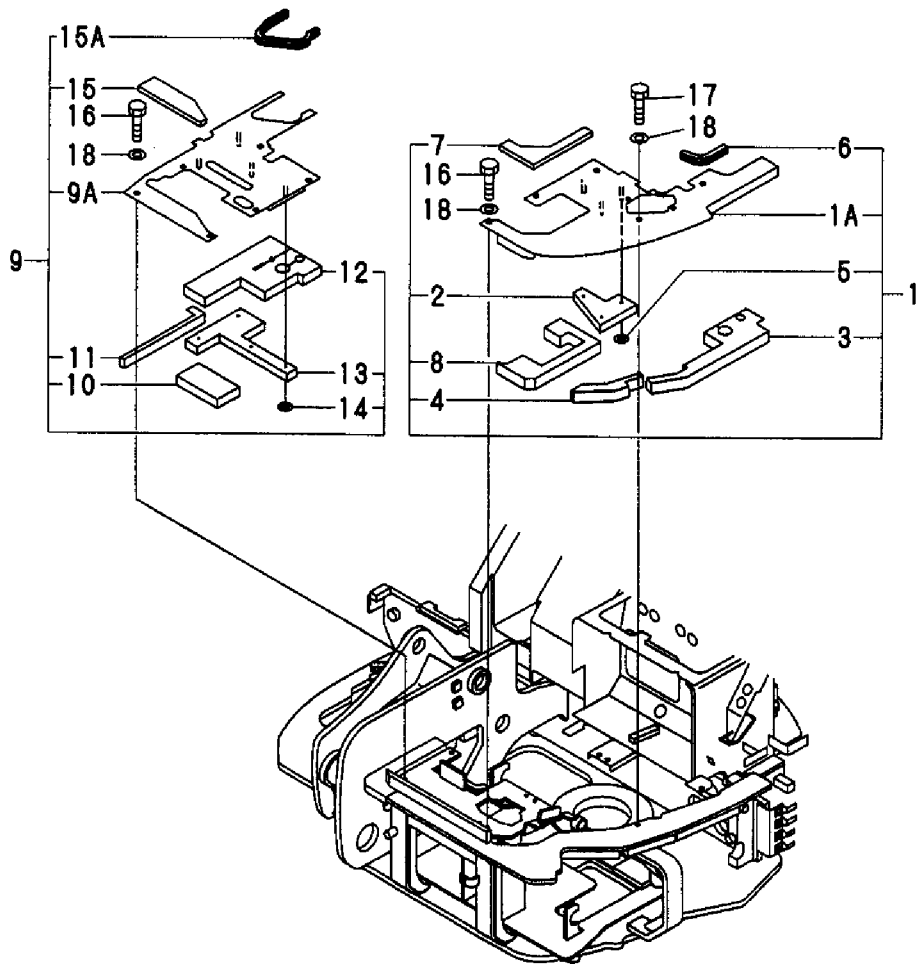
Fig. 110 フロアカバー (フロアプレート, 1アクチュエータ, キャノピ)
 FLOOR COVER (FLOOR PLATE, 1-ACTUATER, CANOPY)



レボルピングフレーム
 REVOLVING FRAME

1,1,,182901-37300,, "PLATE ASS'Y",1,,,,,,,,,,,,,
1A,2,,182901-37260,, PLATE,1,,,,,,,,,,,,,
2,2,,182901-37200,, SHEET,1,,,,,,,,,,,,,
3,2,,182901-37280,, SHEET,1,,,,,,,,,,,,,
4,2,,182901-37290,, SHEET,1,,,,,,,,,,,,,
5,2,,182901-38750,, WASHER,3,,,,,,,,,,,,,
6,2,,182901-38870,, SEAL,1,,,,,,,,,,,,,
7,2,,182901-34390,, SHEET,1,,,,,,,,,,,,,
8,2,,182901-34480,, SHEET,1,,,,,,,,,,,,,
9,1,,182901-37310,, "PLATE ASS'Y",1,,,,,,,,,,,,,
9A,2,,182901-37210,, PLATE,1,,,,,,,,,,,,,
10,2,,182901-33470,, SHEET,1,,,,,,,,,,,,,
11,2,,182901-34140,, SHEET,1,,,,,,,,,,,,,
12,2,,182901-37230,, SHEET,1,,,,,,,,,,,,,
13,2,,182901-37240,, SHEET,1,,,,,,,,,,,,,
14,2,,182901-38750,, WASHER,4,,,,,,,,,,,,,
15,2,,182901-34400,, SHEET,1,,,,,,,,,,,,,
15A,2,,182901-34440,, SEAL,1,,,,,,,,,,,,,I
16,1,,182900-68000,, BOLT,9,,,,,,,,,,,,,
17,1,,182900-68030,, BOLT,1,,,,,,,,,,,,,
18,1,,953KM0-00222,, WASHER,10,,,,,,,,,,,,,

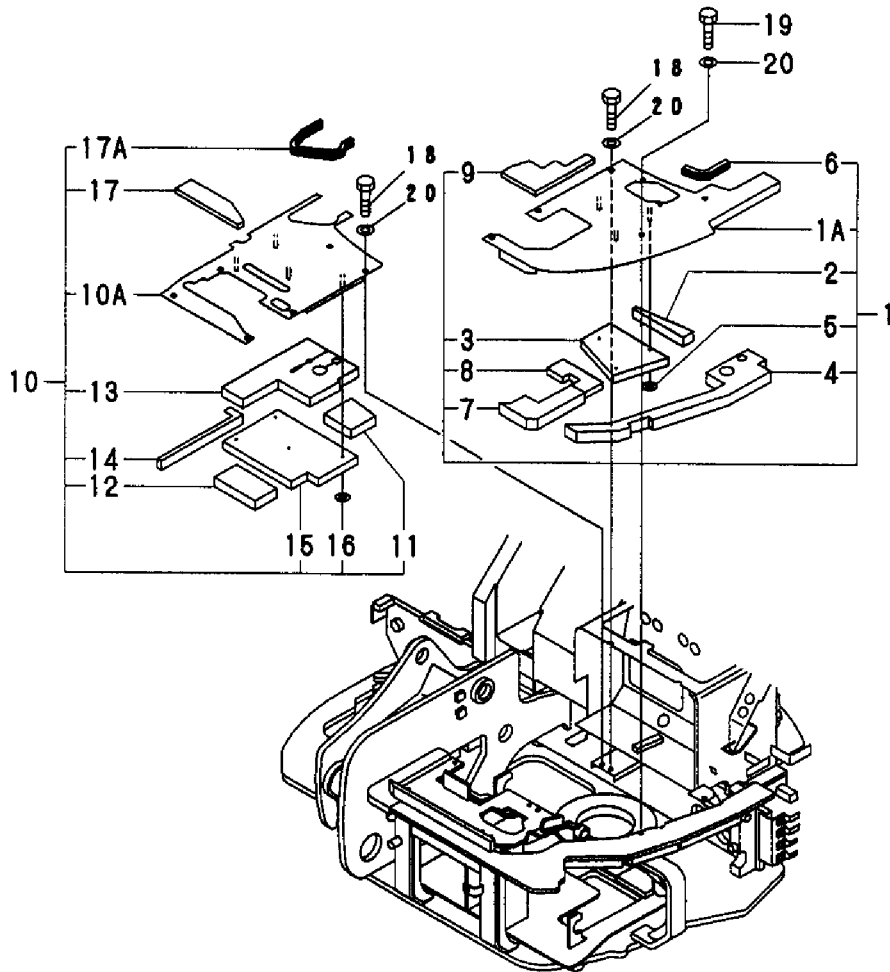
Fig. 111 フロアカバー (フロアプレート, エアコン)
 FLOOR COVER (FLOOR PLATE, AIR CON)



レボルピングフレーム
 REVOLVING FRAME

1,1,,182901-37060,, "PLATE ASS'Y",1,,,,,,,,,,,,,,,,,,,,,
1A,2,,182901-33110,, PLATE,1,,,,,,,,,,,,,,,,,,,,,
2,2,,182901-33400,, SHEET,1,,,,,,,,,,,,,,,,,,,,,
3,2,,182901-34050,, SHEET,1,,,,,,,,,,,,,,,,,,,,,
4,2,,182901-34060,, SHEET,1,,,,,,,,,,,,,,,,,,,,,
5,2,,182901-38750,, WASHER,3,,,,,,,,,,,,,,,,,,,,,
6,2,,182901-38870,, SEAL,1,,,,,,,,,,,,,,,,,,,,,
7,2,,182901-37040,, SHEET,1,,,,,,,,,,,,,,,,,,,,,
8,2,,182901-37050,, SHEET,1,,,,,,,,,,,,,,,,,,,,,
9,2,,182901-37080,, SHEET,1,,,,,,,,,,,,,,,,,,,,,
10,1,,182901-37010,, "PLATE ASS'Y",1,,,,,,,,,,,,,,,,,,,,,
10A,2,,182901-36990,, PLATE,1,,,,,,,,,,,,,,,,,,,,,
11,2,,182901-33450,, SHEET,1,,,,,,,,,,,,,,,,,,,,,
12,2,,182901-33470,, SHEET,1,,,,,,,,,,,,,,,,,,,,,
13,2,,182901-34130,, SHEET,1,,,,,,,,,,,,,,,,,,,,,
14,2,,182901-34140,, SHEET,1,,,,,,,,,,,,,,,,,,,,,
15,2,,182901-36970,, SHEET,1,,,,,,,,,,,,,,,,,,,,,
16,2,,182901-38750,, WASHER,4,,,,,,,,,,,,,,,,,,,,,
17,2,,182901-34400,, SHEET,1,,,,,,,,,,,,,,,,,,,,,
17A,2,,182901-34440,, SEAL,1,,,,,,,,,,,,,,,,,,,,,I
18,1,,182900-68000,, BOLT,10,,,,,,,,,,,,,,,,,,,,,
19,1,,182900-68030,, BOLT,1,,,,,,,,,,,,,,,,,,,,,
20,1,,953KM0-00222,, WASHER,11,,,,,,,,,,,,,,,,,,,,,

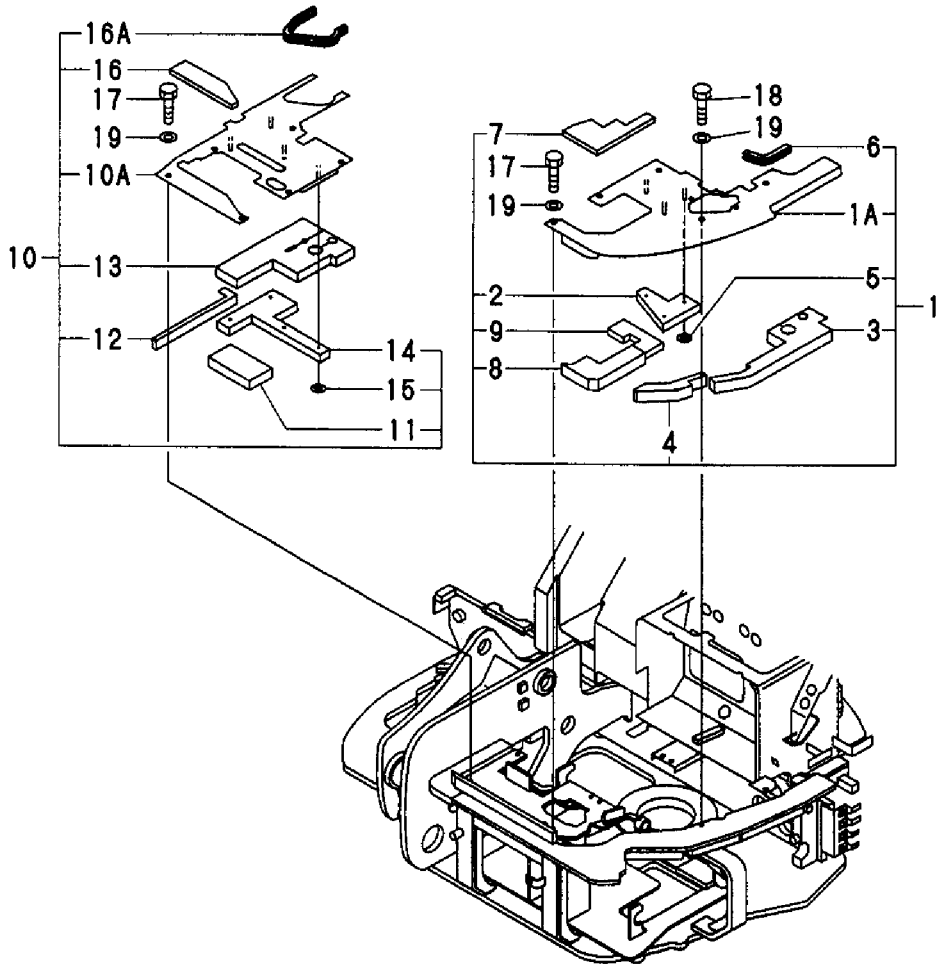
Fig. 112 フロアカバー (フロアプレート, 1アクチュエータ, キャビン)
 FLOOR COVER (FLOOR PLATE, 1-ACTUATER, CABIN)



レボルピングフレーム
 REVOLVING FRAME

1,1,,182901-37070,, "PLATE ASS'Y",1,,,,,,,,,,,,,,,,,,,,,
1A,2,,182901-37260,, PLATE,1,,,,,,,,,,,,,,,,,,,,,
2,2,,182901-37200,, SHEET,1,,,,,,,,,,,,,,,,,,,,,
3,2,,182901-37280,, SHEET,1,,,,,,,,,,,,,,,,,,,,,
4,2,,182901-37290,, SHEET,1,,,,,,,,,,,,,,,,,,,,,
5,2,,182901-38750,, WASHER,3,,,,,,,,,,,,,,,,,,,,,
6,2,,182901-38870,, SEAL,1,,,,,,,,,,,,,,,,,,,,,
7,2,,182901-37080,, SHEET,1,,,,,,,,,,,,,,,,,,,,,
8,2,,182901-37040,, SHEET,1,,,,,,,,,,,,,,,,,,,,,
9,2,,182901-37050,, SHEET,1,,,,,,,,,,,,,,,,,,,,,
10,1,,182901-37310,, "PLATE ASS'Y",1,,,,,,,,,,,,,,,,,,,,,
10A,2,,182901-37210,, PLATE,1,,,,,,,,,,,,,,,,,,,,,
11,2,,182901-33470,, SHEET,1,,,,,,,,,,,,,,,,,,,,,
12,2,,182901-34140,, SHEET,1,,,,,,,,,,,,,,,,,,,,,
13,2,,182901-37230,, SHEET,1,,,,,,,,,,,,,,,,,,,,,
14,2,,182901-37240,, SHEET,1,,,,,,,,,,,,,,,,,,,,,
15,2,,182901-38750,, WASHER,4,,,,,,,,,,,,,,,,,,,,,
16,2,,182901-34400,, SHEET,1,,,,,,,,,,,,,,,,,,,,,
16A,2,,182901-34440,, SEAL,1,,,,,,,,,,,,,,,,,,,,,I
17,1,,182900-68000,, BOLT,9,,,,,,,,,,,,,,,,,,,,,
18,1,,182900-68030,, BOLT,1,,,,,,,,,,,,,,,,,,,,,
19,1,,953KM0-00222,, WASHER,10,,,,,,,,,,,,,,,,,,,,,

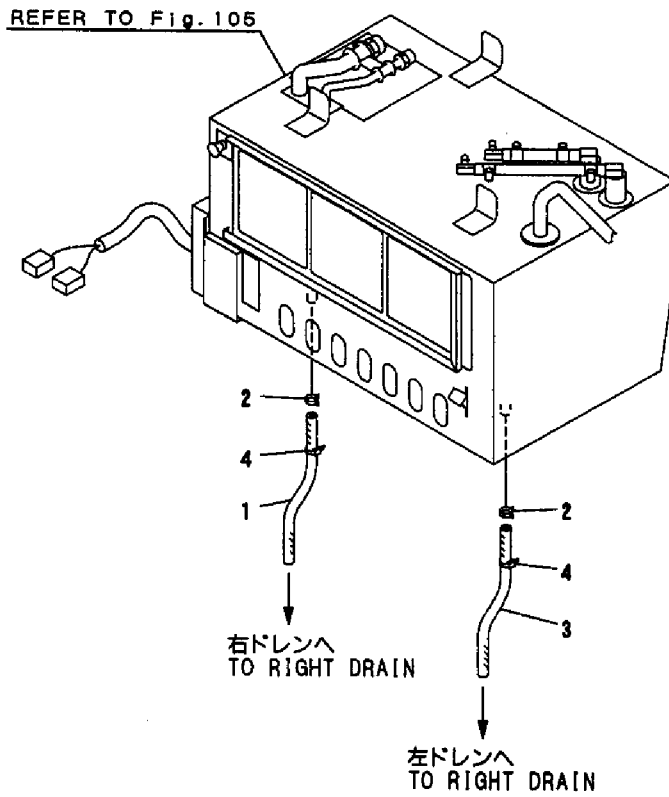
Fig. 113 フロアカバー (フロアプレート, 1アクチュエータ, エアコン)
 FLOOR COVER (FLOOR PLATE, 1-ACTUATOR, AIR CON)



レボルビングフレーム
 REVOLVING FRAME

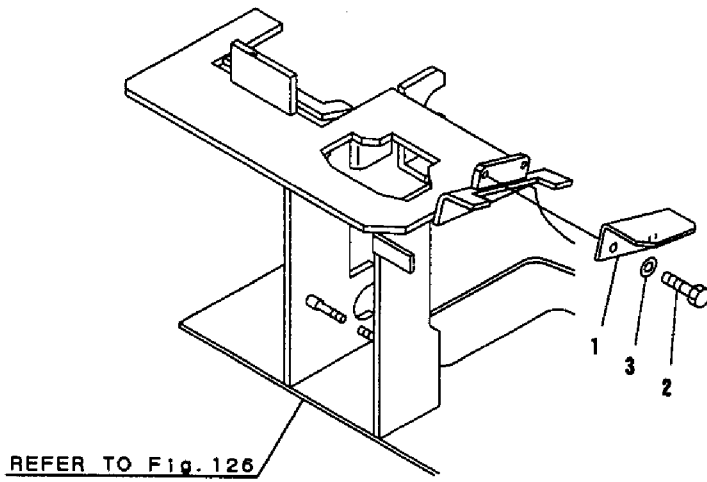
1,1,,182901-29810,,HOSE,1,,,,,,,,,,,,,,,,,,,,,
2,1,,953KM0-10951,,CLIP,2,,,,,,,,,,,,,,,,,,,,,
3,1,,182901-29800,,HOSE,1,,,,,,,,,,,,,,,,,,,,,
4,1,,182901-29930,,BAND,2,,,,,,,,,,,,,,,,,,,,,

Fig. 114 フロアカバー (エアコンホース)
FLOOR COVER (AIR CON HOSE)



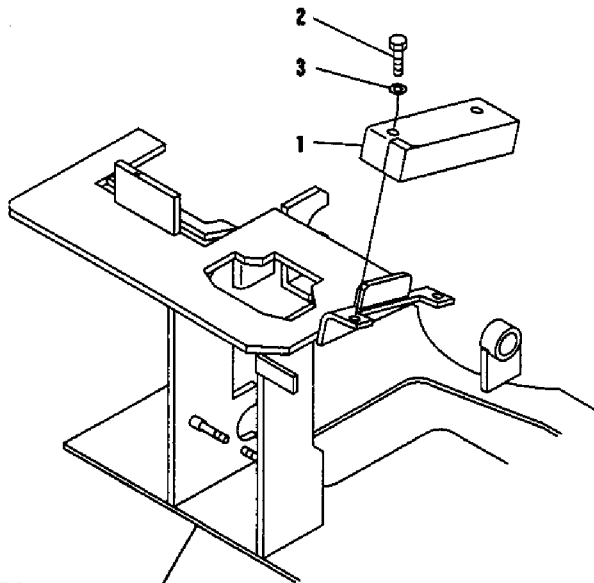
1,1,,182901-34360,,PLATE,1,,,,,,,,,,,,,
2,1,,182900-64830,,BOLT,2,,,,,,,,,,,,,
3,1,,953KM0-00221,,WASHER,2,,,,,,,,,,,,,

Fig. **115** フロアカバー (フートレスト)
FLOOR COVER (FOOT REST)



1,1,,182901-34500,, "PLATE ASS'Y",1,,,,,,,,,,,,,,,,,,,,,
2,1,,182900-64860,, BOLT,2,,,,,,,,,,,,,,,,,,,,,
3,1,,953KM0-00222,, WASHER,2,,,,,,,,,,,,,,,,,,,,,

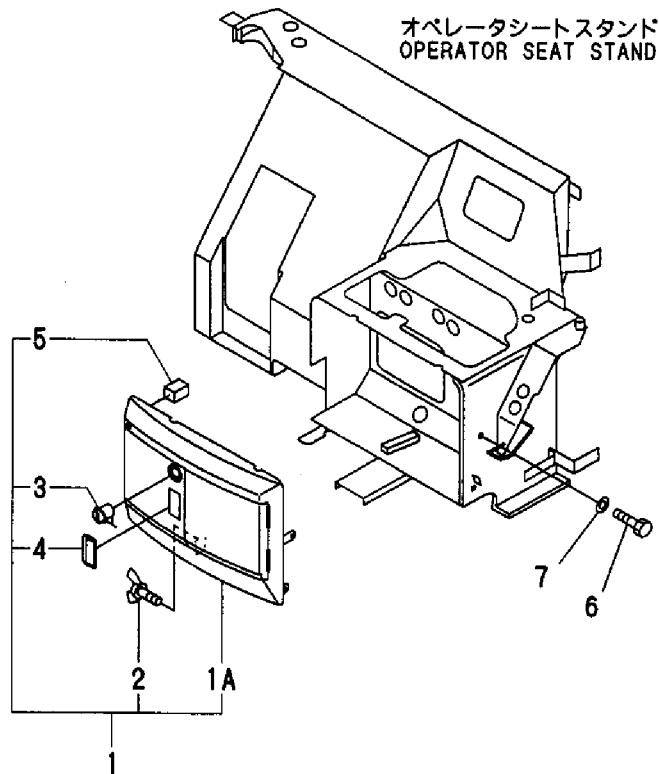
Fig. **116** フロアカバー (シート, キャビン)
FLOOR COVER (SHEET, CABIN)



REFER TO FIG. 126

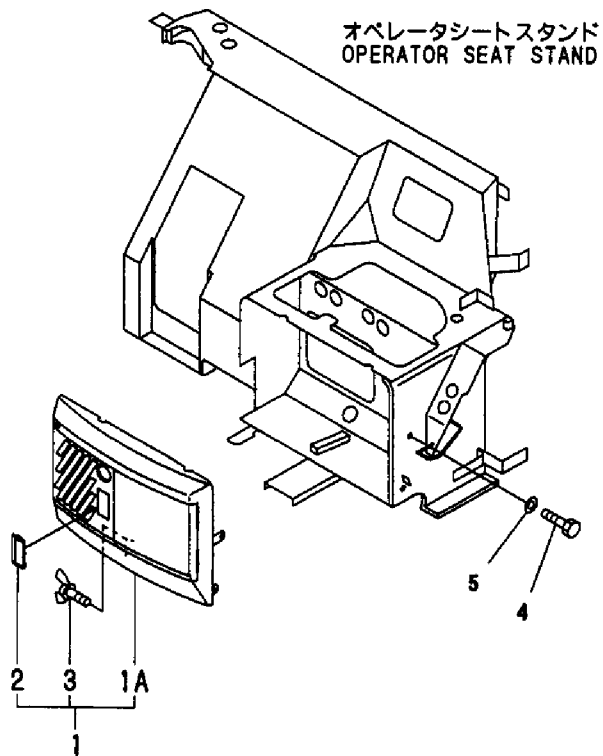
1,1,,182901-33330,, "COVER ASS'Y",1,,,,,,,,,,,,,
1-1,1,,182901-50430,, "COVER ASS'Y",1,,,,,,N,,*,M/#11001,,,,,,,,,,,,,I
1A,2,,182901-38850,,COVER,1,,,,,,,,,,,,,
1A-1,2,,182901-50450,,COVER,1,,,,,,S,,*,M/#11001,,,,,,,,,,,,,I
2,2,,182900-44440,,BOLT,1,,,,,,,,,,,,,
3,2,,182901-30300,, "LOCK ASS'Y",1,,,,,,,,,,,,,
4,2,,182901-31940,,CATCH,1,,,,,,,,,,,,,
5,2,,182900-17470,, "WIRE ASS'Y",1,,,,,,,,,,,,,I
6,1,,182900-33600,,BOLT,4,,,,,,,,,,,,,
7,1,,182900-33890,,WASHER,4,,,,,,,,,,,,,

Fig. 117 フロアカバー (工具箱, キャノピ)
FLOOR COVER (TOOL BOX, CANOPY)



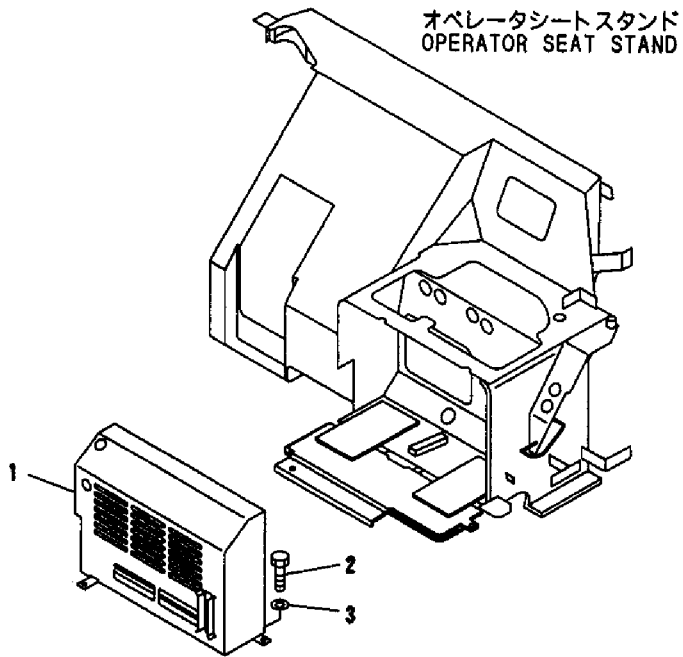
1,1,,182901-34070,, "COVER ASS'Y",1,,,,,,,,,,,,,,,,,,,,,
1A,2,,182901-39460,,COVER,1,,,,,,,,,,,,,,,,,,,,,
2,2,,182901-31940,,CATCH,1,,,,,,,,,,,,,,,,,,,,,
3,2,,182900-44440,,BOLT,1,,,,,,,,,,,,,,,,,,,,,
4,1,,182900-33600,,BOLT,4,,,,,,,,,,,,,,,,,,,,,
5,1,,182900-33890,,WASHER,4,,,,,,,,,,,,,,,,,,,,,

Fig. **118** フロアカバー (工具箱, キャビン)
FLOOR COVER (TOOL BOX, CABIN)



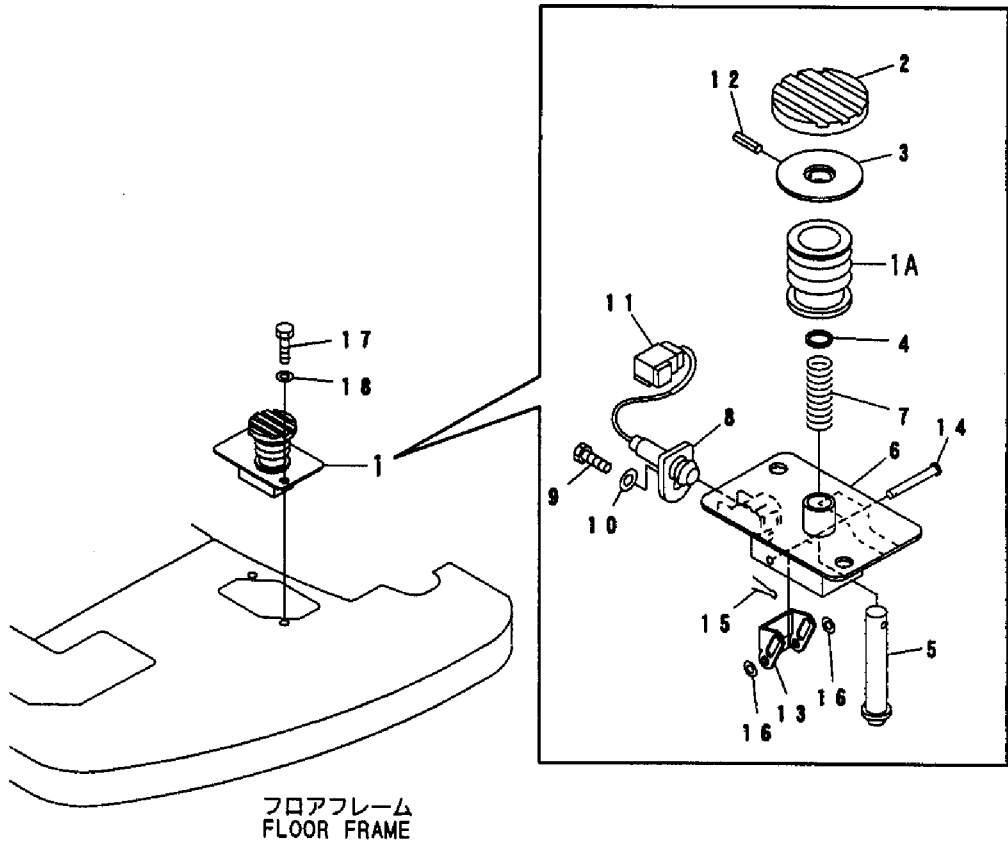
1,1,,182901-37320,,COVER,1,,,,,,,,,,,,,
2,1,,182900-67980,,BOLT,4,,,,,,,,,,,,,
3,1,,953KM0-00221,,WASHER,4,,,,,,,,,,,,,

Fig. **119** フロアカバー (工具箱, エアコン)
FLOOR COVER (TOOL BOX, AIR CON)



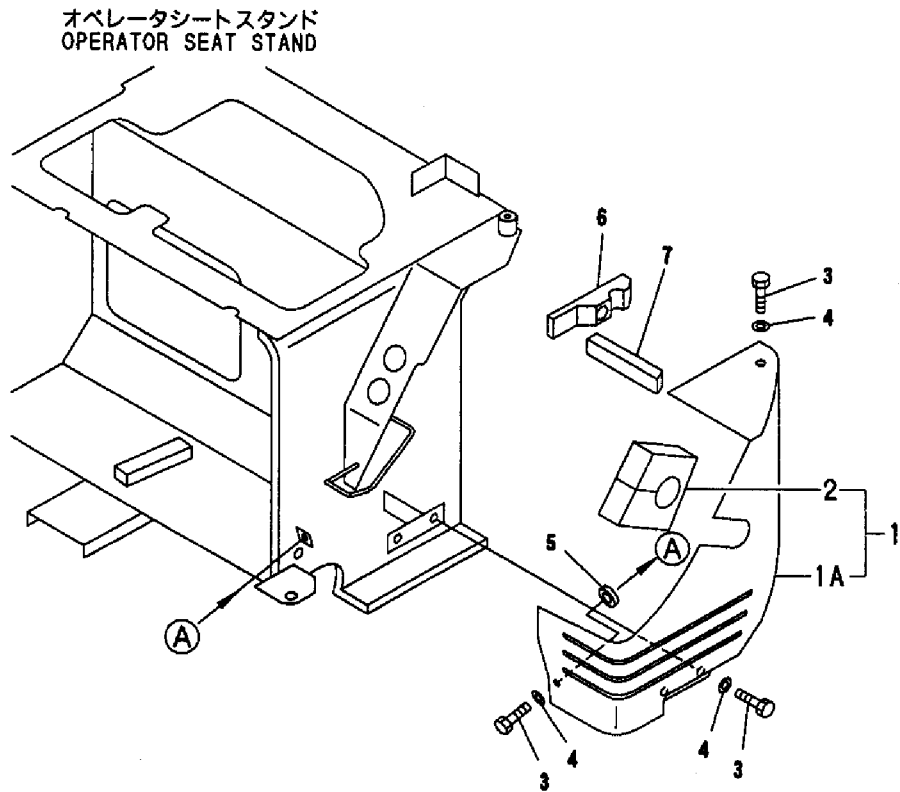
1,1,,182901-39810,, "PEDAL ASS'Y",1,,,,,,,,,,,,,,,,,,,,,
1A,2,,182900-26320,,BOOT,1,,,,,,,,,,,,,,,,,,,,,
2,2,,182900-26330,,CAP,1,,,,,,,,,,,,,,,,,,,,,
3,2,,182900-54310,,PEDAL,1,,,,,,,,,,,,,,,,,,,,,
4,2,,182900-26380,,WASHER,1,,,,,,,,,,,,,,,,,,,,,
5,2,,182901-23310,,SHAFT,1,,,,,,,,,,,,,,,,,,,,,
6,2,,182901-23300,,BODY,1,,,,,,,,,,,,,,,,,,,,,
7,2,,182900-26370,,SPRING,1,,,,,,,,,,,,,,,,,,,,,
8,2,,182900-68540,,SWITCH,1,,,,,,,,,,,,,,,,,,,,,
9,2,,182900-31330,,SCREW,1,,,,,,,,,,,,,,,,,,,,,
10,2,,182901-19460,,WASHER,1,,,,,,,,,,,,,,,,,,,,,
11,2,,182901-39790,, "WIRING HARNESS",1,,,,,,,,,,,,,,,,,,,,,
12,2,,22351-060020,, "SPRING PIN 6X20",1,,,,,,,,,,,,,,,,,,,,,
13,2,,182901-23320,,BRACKET,1,,,,,,,,,,,,,,,,,,,,,
14,2,,182901-23330,,PIN,1,,,,,,,,,,,,,,,,,,,,,
15,2,,22417-160120,, "COTTER PIN 1.6X12",1,,,,,,,,,,,,,,,,,,,,,
16,2,,953KM0-00211,,WASHER,2,,,,,,,,,,,,,,,,,,,,,
17,1,,182900-68000,,BOLT,2,,,,,,,,,,,,,,,,,,,,,
18,1,,953KM0-00222,,WASHER,2,,,,,,,,,,,,,,,,,,,,,

Fig. **120** 走行スピードペダル
TRAVEL SPEED PEDAL



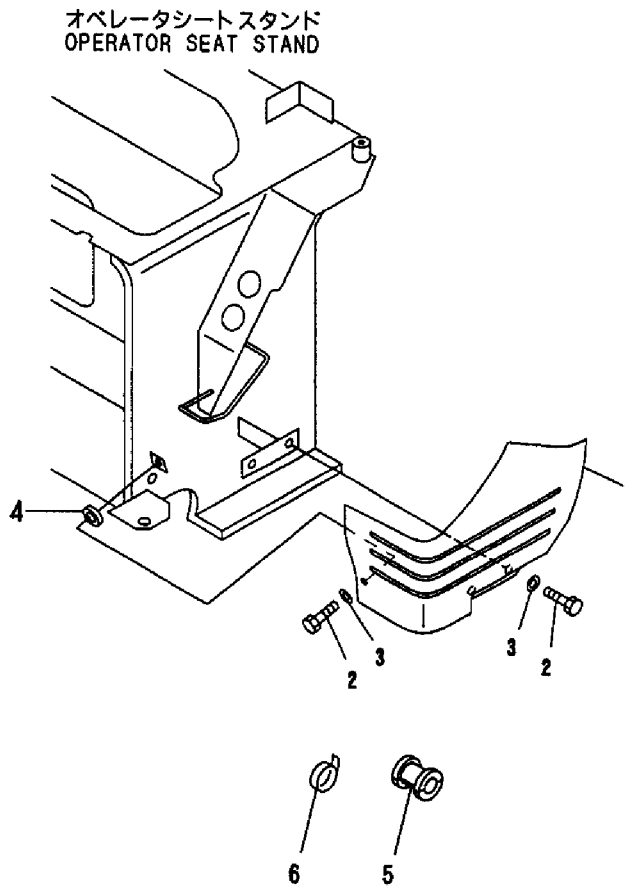
1,1,,182901-34430,, "COVER ASS'Y",1,,,,,,,,,,,,,,,,,,,,,
1A,2,,182901-31900,,COVER,1,,,,,,,,,,,,,,,,,,,,,
2,2,,182901-34380,,SHEET,1,,,,,,,,,,,,,,,,,,,,,
3,1,,182900-33600,,BOLT,4,,,,,,,,,,,,,,,,,,,,,
4,1,,182900-33890,,WASHER,4,,,,,,,,,,,,,,,,,,,,,
5,1,,182901-31930,,COLLAR,1,,,,,,,,,,,,,,,,,,,,,
6,1,,182901-34410,,SHEET,1,,,,,,,,,,,,,,,,,,,,,
7,1,,182901-34420,,SHEET,1,,,,,,,,,,,,,,,,,,,,,

Fig. **121** フロアカバー (パイロットホース, キャノピ)
FLOOR COVER (PILOT HOSE, CANOPY)



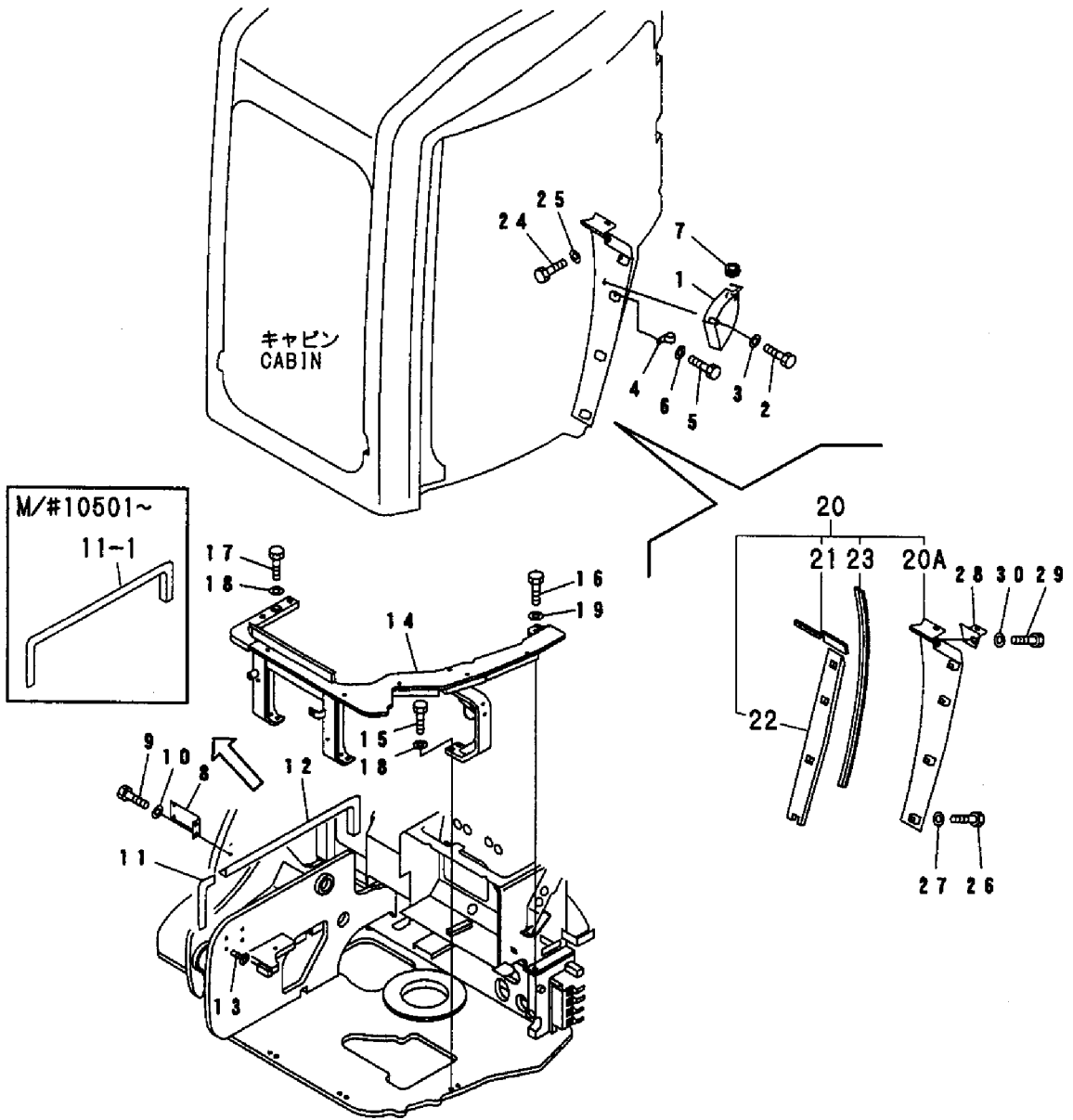
1,1,,182901-34100,,COVER,1,,,,,,,,,,,,,
2,1,,182900-33600,,BOLT,3,,,,,,,,,,,,,
3,1,,182900-33890,,WASHER,3,,,,,,,,,,,,,
4,1,,182901-31930,,COLLAR,1,,,,,,,,,,,,,
5,1,,182900-83120,,CUSHION,1,,,,,,,,,,,,,I
6,1,,182900-44660,,BAND,1,,,,,,,,,,,,,I

Fig. **122** フロアカバー (パイロットホース, キャビン)
FLOOR COVER (PILOT HOSE, CABIN)



1,1,,182901-34090,,COVER,1,,,,,,,,,,,,,
2,1,,182901-28970,,BOLT,2,,,,,,,,,,,,,
3,1,,182900-33890,,WASHER,2,,,,,,,,,,,,,
4,1,,182901-29510,,CLIP,1,,,,,,,,,,,,,
5,1,,182900-67980,,BOLT,1,,,,,,,,,,,,,
6,1,,953KM0-00221,,WASHER,1,,,,,,,,,,,,,
7,1,,182901-31360,,GROMMET,1,,,,,,,,,,,,,
8,1,,182901-38880,,BRACKET,1,,,,,,,,,,,,,
9,1,,182900-67980,,BOLT,2,,,,,,,,,,,,,
10,1,,953KM0-00221,,WASHER,2,,,,,,,,,,,,,
11,1,,182901-34320,,CUSHION,1,,,,,,,,,,,,,
11-1,1,,182901-50890,,CUSHION,1,,,,,S,,*,M/#10501,,,,,,,,,,,,,I
12,1,,182901-34310,,CUSHION,1,,,,,Z,,*,M/#10501,,,,,,,,,,,,,I
13,1,,182900-35520,,CAP,4,,,,,,,,,,,,,
14,1,,182901-33130,,BRACKET,1,,,,,,,,,,,,,
15,1,,182900-64590,,BOLT,6,,,,,,,,,,,,,
16,1,,182900-77310,,BOLT,1,,,,,,,,,,,,,
17,1,,182900-68010,,BOLT,1,,,,,,,,,,,,,
18,1,,953KM0-00222,,WASHER,7,,,,,,,,,,,,,
19,1,,953KM0-00048,,WASHER,1,,,,,,,,,,,,,
20,1,,182901-34700,, "COVER ASS'Y",1,,,,,,,,,,,,,
20A,2,,182901-33720,,COVER,1,,,,,,,,,,,,,
21,2,,182901-33730,,SEAL,1,,,,,,,,,,,,,
22,2,,182901-33740,,SEAL,1,,,,,,,,,,,,,
23,2,,182901-33780,,SEAL,1,,,,,,,,,,,,,
24,1,,182901-28950,,BOLT,1,,,,,,,,,,,,,
25,1,,182900-33890,,WASHER,1,,,,,,,,,,,,,
26,1,,182901-28960,,BOLT,4,,,,,,,,,,,,,
27,1,,182900-33890,,WASHER,4,,,,,,,,,,,,,
28,1,,182901-33760,,COVER,1,,,,,,,,,,,,,
29,1,,182900-33600,,BOLT,2,,,,,,,,,,,,,
30,1,,182900-33890,,WASHER,2,,,,,,,,,,,,,

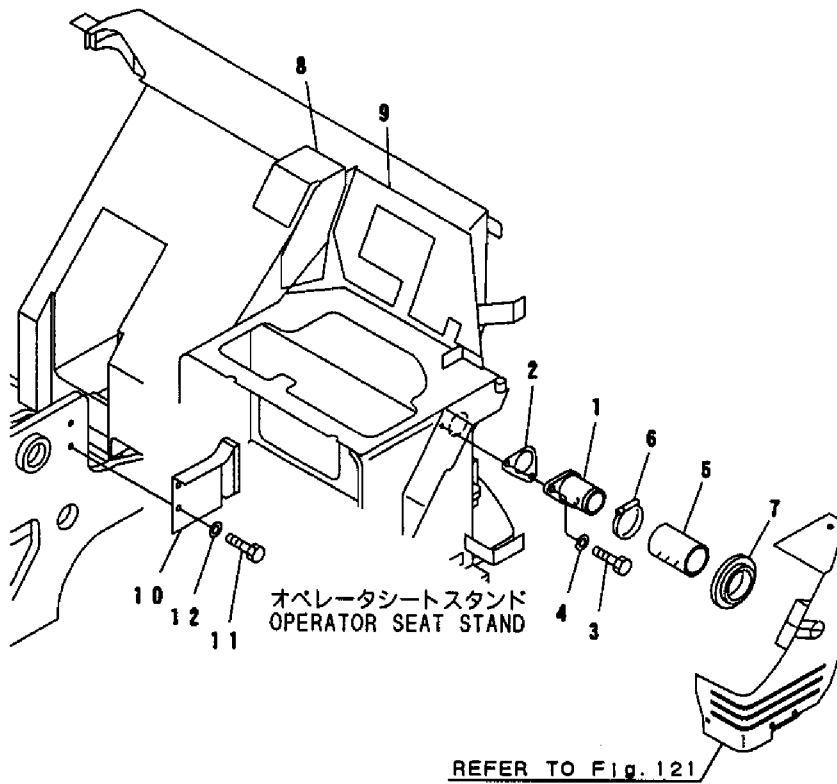
Fig. **123** フロアカバー (ブラケット&マウント, キャビン)
 FLOOR COVER (BRACKET & MOUNT, CABIN)



レボルピングフレーム
 REVOLVING FRAME

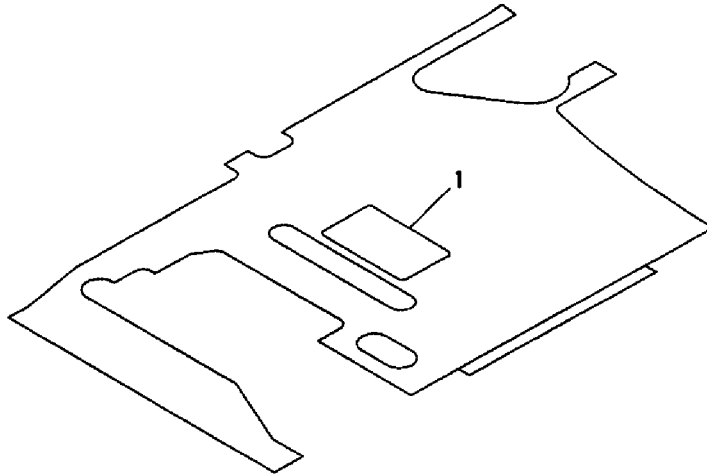
1,1,,182901-34210,,PIPE,1,,,,,,,,,,,,,
2,1,,182901-34230,,GASKET,1,,,,,,,,,,,,,
3,1,,182900-64870,,BOLT,2,,,,,,,,,,,,,
4,1,,953KM0-00222,,WASHER,2,,,,,,,,,,,,,
5,1,,182901-34240,,HOSE,1,,,,,,,,,,,,,
6,1,,182900-83380,,CLAMP,1,,,,,,,,,,,,,
7,1,,182901-34250,,SHEET,1,,,,,,,,,,,,,
8,1,,182901-34170,,LINING,1,,,,,,,,,,,,,
9,1,,182901-34180,,LINING,1,,,,,,,,,,,,,
10,1,,182901-34160,,PLATE,1,,,,,,,,,,,,,
11,1,,182901-28980,,BOLT,2,,,,,,,,,,,,,
12,1,,182900-33900,,WASHER,2,,,,,,,,,,,,,

Fig. 124 フロアカバー (ダクト, キャビン)
FLOOR COVER (DUCT, CABIN)



1,1,,182901-32060,,PLATE,1,,,,,,,,,,,,,

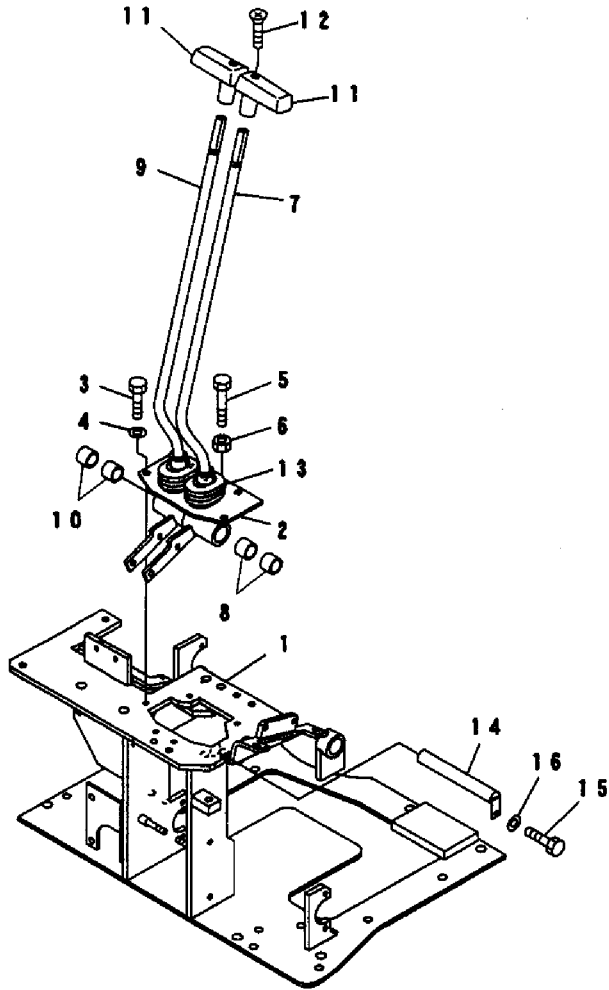
Fig. **125** フロアカバー (デカルプレート, 1アクチュエータ)
FLOOR COVER (DECAL PLATE, 1-ACTUATER)



フロアフレーム
FLOOR FRAME

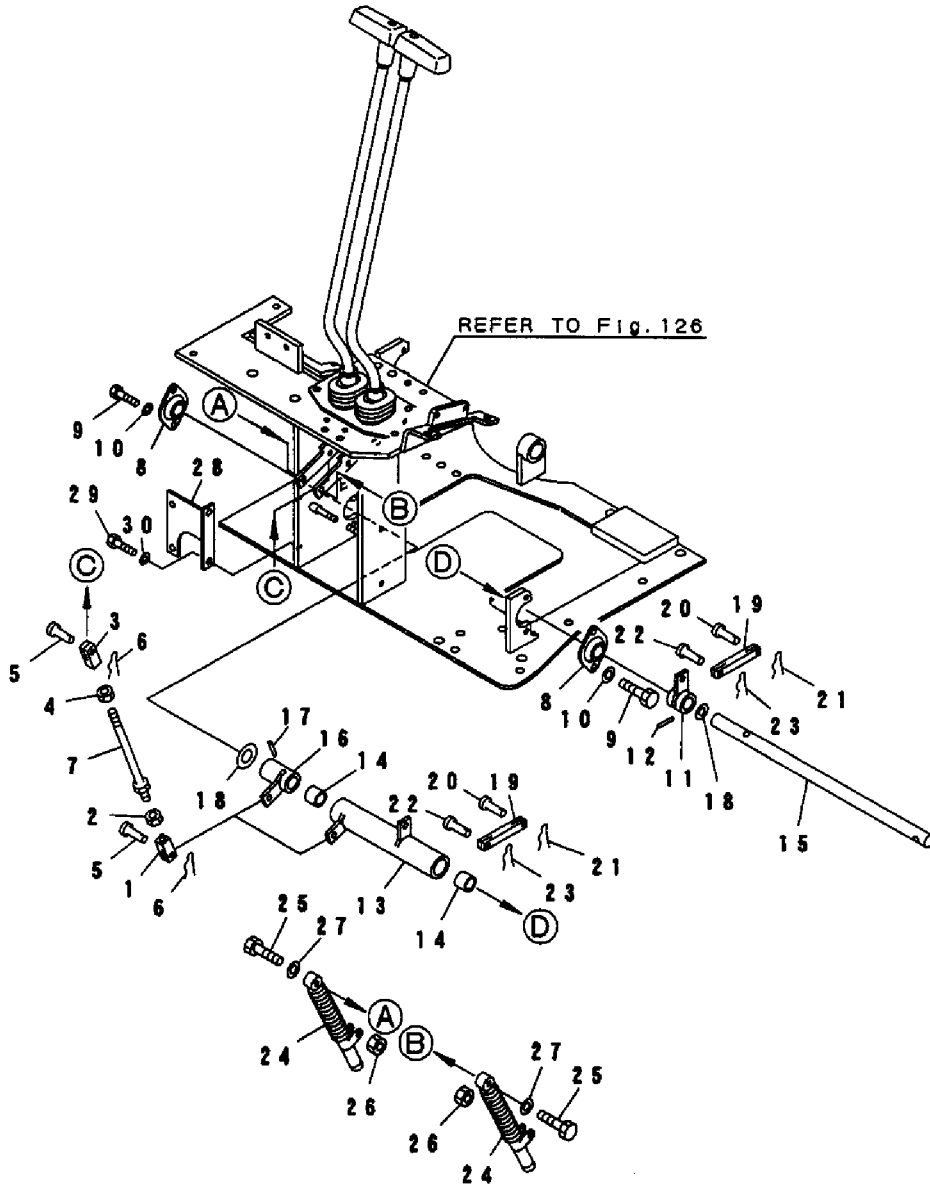
1,1,,182901-32560,,BRACKET,1,,,,,,,,,,,,,
2,1,,182901-38490,,PLATE,1,,,,,,,,,,,,,
3,1,,182900-64830,,BOLT,4,,,,,,,,,,,,,
4,1,,953KM0-00221,,WASHER,4,,,,,,,,,,,,,
5,1,,953KM0-03634,,BOLT,4,,,,,,,,,,,,,
6,1,,953KM0-00180,,NUT,4,,,,,,,,,,,,,
7,1,,182901-38450,,LEVER,1,,,,,,,,,,,,,
8,1,,182901-19540,,BEARING,2,,,,,,,,,,,,,
9,1,,182901-38470,,LEVER,1,,,,,,,,,,,,,
10,1,,182901-19540,,BEARING,2,,,,,,,,,,,,,
11,1,,182900-56320,,KNOB,2,,,,,,,,,,,,,
12,1,,182900-33810,,SCREW,2,,,,,,,,,,,,,
13,1,,182900-36590,,BOOT,2,,,,,,,,,,,,,
14,1,,182900-36570,,PIN,1,,,,,,,,,,,,,I
15,1,,182900-67950,,BOLT,1,,,,,,,,,,,,,
16,1,,953KM0-00220,,WASHER,1,,,,,,,,,,,,,

Fig. 126 操縦装置 (走行) (1)
CONTROL EQUIP. (TRAVEL) (1)



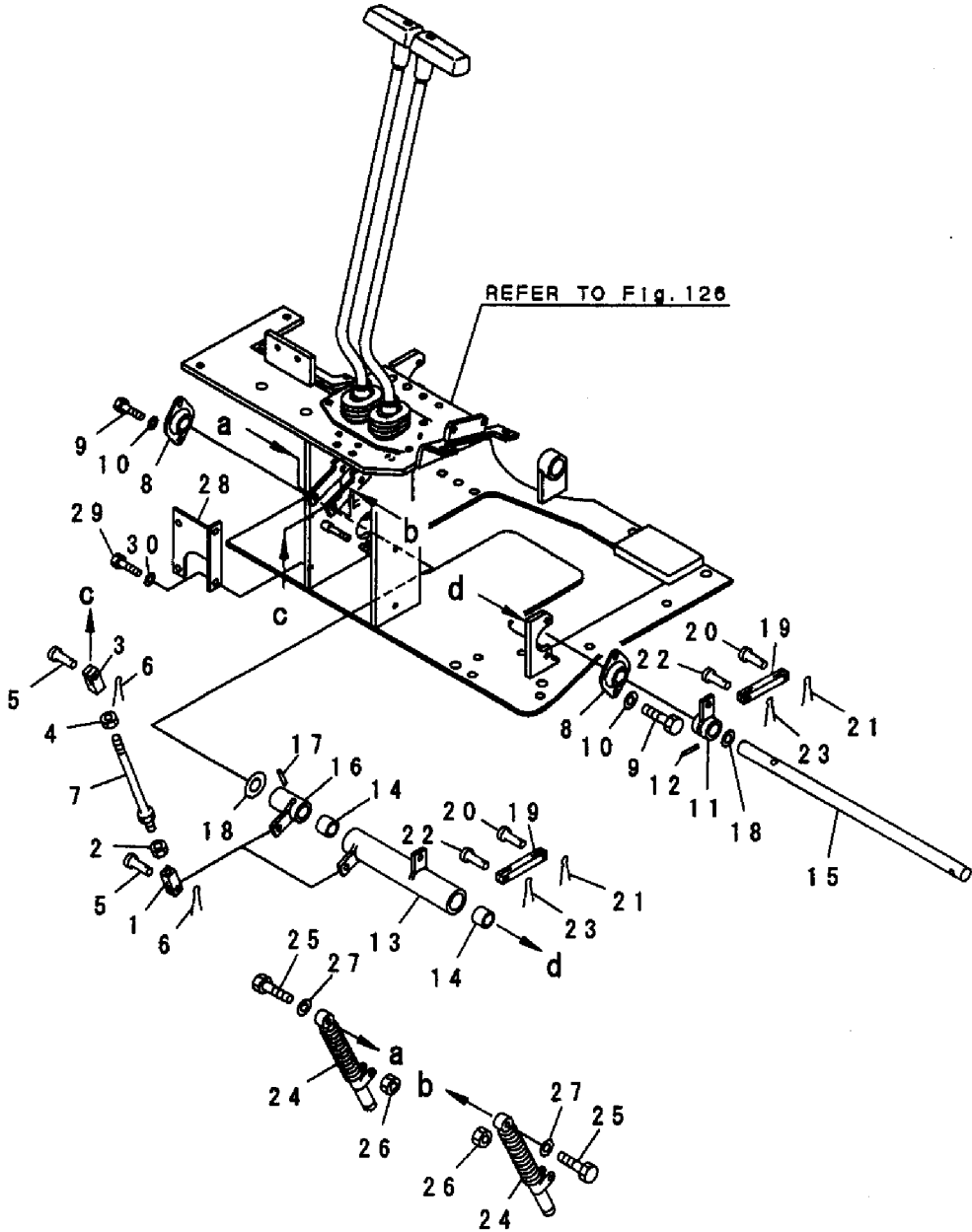
1,1,,953KM0-00298,,YOKE,2,,,,,,,,,,,,,
2,1,,953KM0-00180,,NUT,2,,,,,,,,,,,,,
3,1,,953KM0-00304,,,"YOKE, L.H.THREAD",2,,,,,,,,,,,,,
4,1,,953KM0-02073,,,"NUT,L.H.THREAD",2,,,,,,,,,,,,,
5,1,,953KM0-00292,,PIN,4,,,,,,,,,,,,,
6,1,,22372-080000,,,"SNAP PIN (JASO 8)",4,,,,,,,,,,,,,
7,1,,182901-29490,,ROD,2,,,,,,,,,,,,,
8,1,,953KM0-02958,,BEARING,2,,,,,,,,,,,,,
9,1,,182900-67980,,BOLT,4,,,,,,,,,,,,,
10,1,,953KM0-00221,,WASHER,4,,,,,,,,,,,,,
11,1,,182901-39700,,LEVER,1,,,,,,,,,,,,,
12,1,,182901-38430,,PIN,1,,,,,,,,,,,,,
13,1,,182901-32640,,LEVER,1,,,,,,,,,,,,,
14,1,,182901-19540,,BEARING,2,,,,,,,,,,,,,
15,1,,182901-32650,,SHAFT,1,,,,,,,,,,,,,
16,1,,182901-39710,,LEVER,1,,,,,,,,,,,,,
17,1,,182901-38430,,PIN,1,,,,,,,,,,,,,
18,1,,953KM0-02602,,WASHER,2,,,,,,,,,,,,,
19,1,,182901-31610,,SHAFT,2,,,,,,,,,,,,,
20,1,,182901-29460,,PIN,2,,,,,,,,,,,,,
21,1,,22372-050000,,,"SNAP PIN JASO 5",2,,,,,,,,,,,,,
22,1,,182900-33950,,PIN,2,,,,,,,,,,,,,
23,1,,22372-080000,,,"SNAP PIN (JASO 8)",2,,,,,,,,,,,,,
24,1,,182901-38440,,DAMPER,2,,,,,,,,,,,,,
25,1,,182901-29070,,BOLT,2,,,,,,,,,,,,,
26,1,,953KM0-00180,,NUT,4,,,,,,,,,,,,,
27,1,,953KM0-00221,,WASHER,2,,,,,,,,,,,,,
28,1,,182901-32590,,PLATE,1,,,,,,,,,,,,,
29,1,,182900-67980,,BOLT,2,,,,,,,,,,,,,
30,1,,953KM0-00221,,WASHER,2,,,,,,,,,,,,,

Fig. 127 操縦装置 (走行) (2)
CONTROL EQUIP. (TRAVEL) (2)



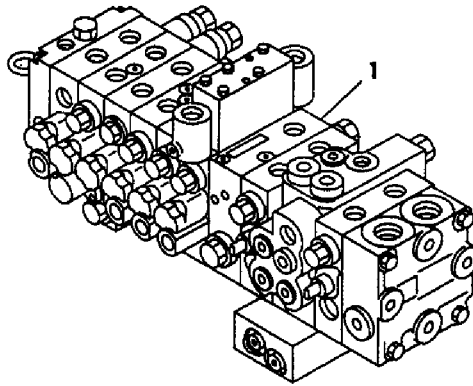
1,1,,953KM0-00298,,YOKE,2,,,,,,,,,,,,,,,,,,,,,
2,1,,953KM0-00180,,NUT,2,,,,,,,,,,,,,,,,,,,,,
3,1,,953KM0-00304,,,"YOKE, L.H.THREAD",2,,,,,,,,,,,,,,,,,,,,,
4,1,,953KM0-02073,,,"NUT,L.H.THREAD",2,,,,,,,,,,,,,,,,,,,,,
5,1,,953KM0-00283,,PIN,4,,,,,,,,,,,,,,,,,,,,,
6,1,,22417-200160,,,"COTTER PIN 2.0X16",4,,,,,,,,,,,,,,,,,,,,,
7,1,,182901-29490,,ROD,2,,,,,,,,,,,,,,,,,,,,,
8,1,,953KM0-02958,,BEARING,2,,,,,,,,,,,,,,,,,,,,,
9,1,,182900-67980,,BOLT,4,,,,,,,,,,,,,,,,,,,,,
10,1,,953KM0-00221,,WASHER,4,,,,,,,,,,,,,,,,,,,,,
11,1,,182901-39700,,LEVER,1,,,,,,,,,,,,,,,,,,,,,
12,1,,182901-38430,,PIN,1,,,,,,,,,,,,,,,,,,,,,
13,1,,182901-32640,,LEVER,1,,,,,,,,,,,,,,,,,,,,,
14,1,,182901-19540,,BEARING,2,,,,,,,,,,,,,,,,,,,,,
15,1,,182901-32650,,SHAFT,1,,,,,,,,,,,,,,,,,,,,,
16,1,,182901-39710,,LEVER,1,,,,,,,,,,,,,,,,,,,,,
17,1,,182901-38430,,PIN,1,,,,,,,,,,,,,,,,,,,,,
18,1,,953KM0-02602,,WASHER,2,,,,,,,,,,,,,,,,,,,,,
19,1,,182901-31610,,SHAFT,2,,,,,,,,,,,,,,,,,,,,,
20,1,,182901-29460,,PIN,2,,,,,,,,,,,,,,,,,,,,,
21,1,,22417-120100,,,"COTTER PIN 1.2X10",2,,,,,,,,,,,,,,,,,,,,,
22,1,,953KM0-00282,,PIN,2,,,,,,,,,,,,,,,,,,,,,
23,1,,22417-200160,,,"COTTER PIN 2.0X16",2,,,,,,,,,,,,,,,,,,,,,
24,1,,182901-38440,,DAMPER,2,,,,,,,,,,,,,,,,,,,,,
25,1,,182901-29070,,BOLT,2,,,,,,,,,,,,,,,,,,,,,
26,1,,953KM0-00180,,NUT,4,,,,,,,,,,,,,,,,,,,,,
27,1,,953KM0-00221,,WASHER,2,,,,,,,,,,,,,,,,,,,,,
28,1,,182901-32590,,PLATE,1,,,,,,,,,,,,,,,,,,,,,
29,1,,182900-67980,,BOLT,2,,,,,,,,,,,,,,,,,,,,,
30,1,,953KM0-00221,,WASHER,2,,,,,,,,,,,,,,,,,,,,,

Fig. 128 操縦装置 (走行) (2) (1アクチュエータアタッチメント) (2ウェイ)
 CONTROL EQUIP. (TRAVEL) (2)
 (1-ACTUATOR ATTACHMENT) (2 WAY)



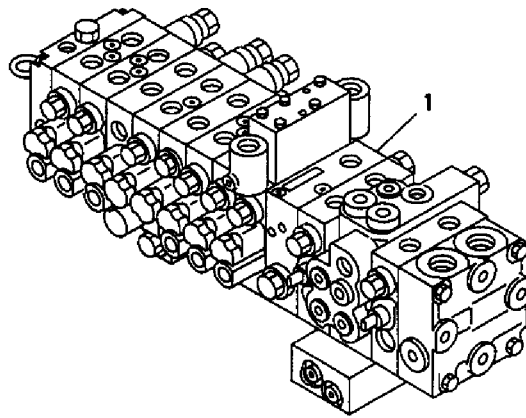
1,1,,182901-42240,, "CONTROL VALVE",1,,,,,,,,1,,,,,,,,,
1-1,1,,182901-51810,, "CONTROL VALVE",1,,,,,,,,S,1,*M/#10506,,,,,,,,,I

Fig. **129** コントロールバルブ
CONTROL VALVE



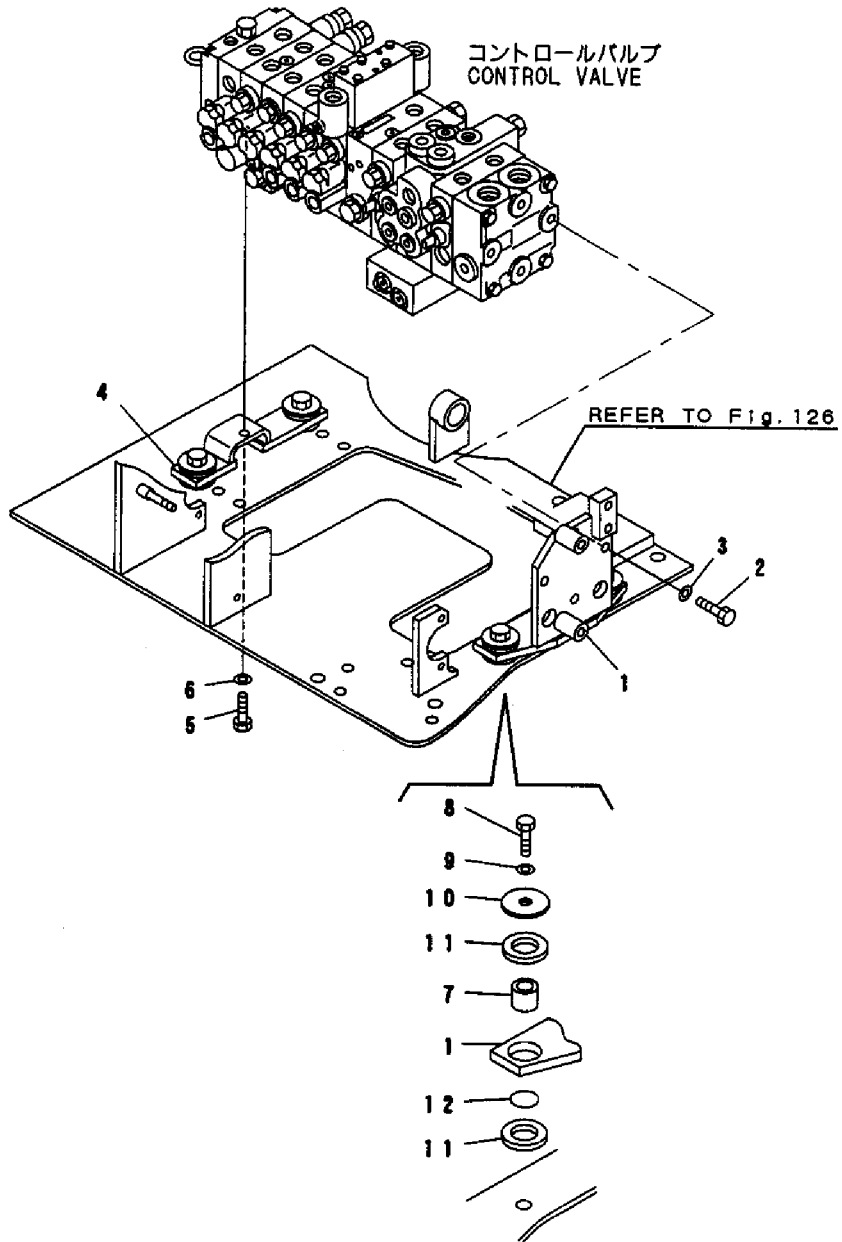
1,1,,182901-41640,, "CONTROL VALVE",1,,,,,,,,1,,,,,,,,,
1-1,1,,182901-51800,, "CONTROL VALVE",1,,,,,S,1,*M/#10506,,,,,,,,,I

Fig. **130** コントロールバルブ (1アクチュエータアタッチメント) (2ウェイ)
CONTROL VALVE (1-ACTUATER ATTACHMENT) (2 WAY)



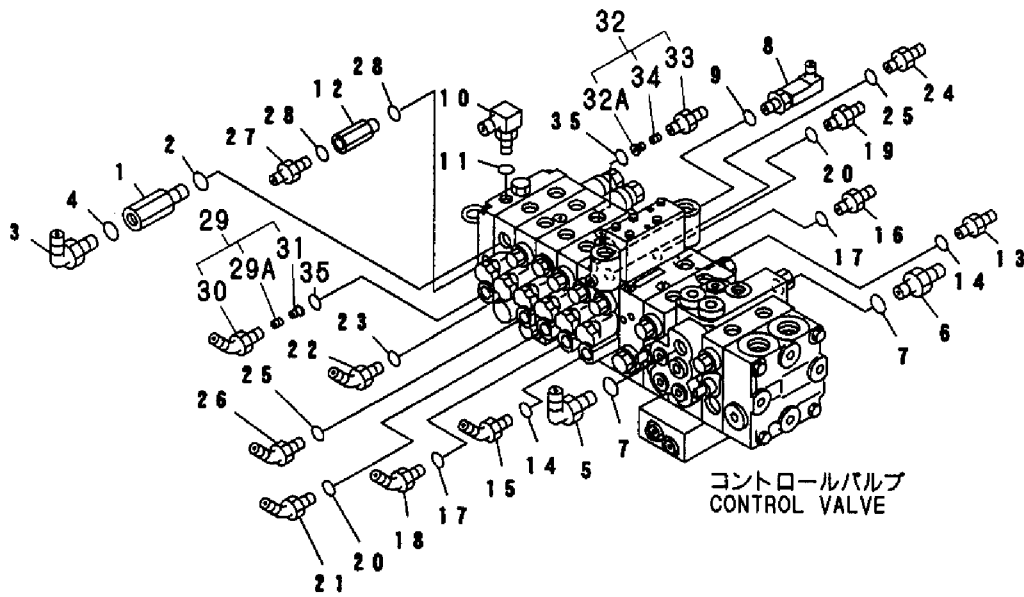
1,1,,182901-34900,,BRACKET,1,,,,,,,,,,,,,
2,1,,182900-68010,,BOLT,4,,,,,,,,,,,,,
3,1,,953KM0-00222,,WASHER,4,,,,,,,,,,,,,
4,1,,182901-34920,,BRACKET,1,,,,,,,,,,,,,
5,1,,182900-64830,,BOLT,1,,,,,,,,,,,,,
6,1,,953KM0-00221,,WASHER,1,,,,,,,,,,,,,
7,1,,182901-40670,,COLLAR,4,,,,,,,,,,,,,
8,1,,182900-68020,,BOLT,4,,,,,,,,,,,,,
9,1,,953KM0-00222,,WASHER,4,,,,,,,,,,,,,
10,1,,182901-40640,,WASHER,4,,,,,,,,,,,,,
11,1,,182900-27270,,CUSHION,8,,,,,,,,,,,,,
12,1,,953KM0-00390,,O-RING,4,,,,,,,,,,,,,

Fig. 131 バルブブラケット
VALVE BRACKET



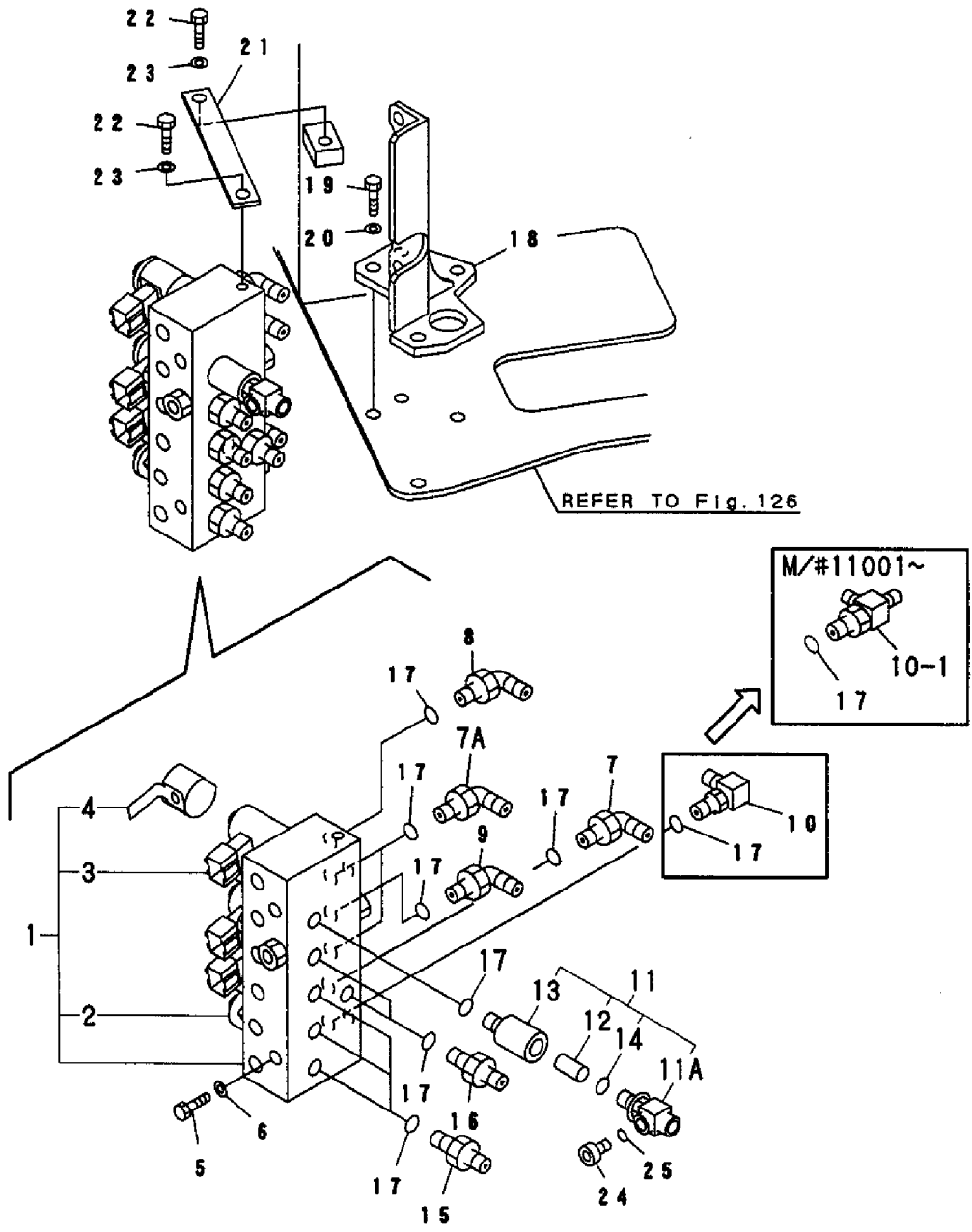
1,1,,182901-30910,,JOINT,1,,,,,,,,,,,,,
2,1,,953KM0-00051,,O-RING,1,,,,,,,,,,,,,
3,1,,182901-29730,,ELBOW,1,,,,,,,,,,,,,
4,1,,953KM0-00051,,O-RING,1,,,,,,,,,,,,,
5,1,,182901-29740,,ELBOW,1,,,,,,,,,,,,,
6,1,,182900-35590,,UNION,1,,,,,,,,,,,,,
7,1,,182901-29640,,O-RING,2,,,,,,,,,,,,,
8,1,,182900-42050,,ELBOW,1,,,,,,,,,,,,,
9,1,,953KM0-00388,,O-RING,1,,,,,,,,,,,,,
10,1,,182900-27230,,ELBOW,1,,,,,,,,,,,,,
11,1,,953KM0-00388,,O-RING,1,,,,,,,,,,,,,
12,1,,182901-31150,,ADAPTER,1,,,,,,,,,,,,,
13,1,,182900-34300,,UNION,1,,,,,,,,,,,,,
13-1,1,,953KM0-03702,,NIPPLE,1,,,,,S,,*,M/#11001,,,,,,,,,,,,,I
14,1,,953KM0-00388,,O-RING,2,,,,,,,,,,,,,
15,1,,953KM0-00485,,ELBOW,1,,,,,,,,,,,,,
15-1,1,,953KM0-03701,,ELBOW,1,,,,,S,,*,M/#11001,,,,,,,,,,,,,I
16,1,,182900-34300,,UNION,1,,,,,,,,,,,,,
16-1,1,,953KM0-03702,,NIPPLE,1,,,,,S,,*,M/#11001,,,,,,,,,,,,,I
17,1,,953KM0-00388,,O-RING,2,,,,,,,,,,,,,
18,1,,953KM0-00485,,ELBOW,1,,,,,,,,,,,,,
18-1,1,,953KM0-03701,,ELBOW,1,,,,,S,,*,M/#11001,,,,,,,,,,,,,I
19,1,,182900-34300,,UNION,1,,,,,,,,,,,,,
19-1,1,,953KM0-03702,,NIPPLE,1,,,,,S,,*,M/#11001,,,,,,,,,,,,,I
20,1,,953KM0-00388,,O-RING,2,,,,,,,,,,,,,
21,1,,953KM0-00485,,ELBOW,1,,,,,,,,,,,,,
21-1,1,,953KM0-03701,,ELBOW,1,,,,,S,,*,M/#11001,,,,,,,,,,,,,I
22,1,,953KM0-00482,,ELBOW,1,,,,,,,,,,,,,
23,1,,953KM0-00388,,O-RING,1,,,,,,,,,,,,,
24,1,,182900-34300,,UNION,1,,,,,,,,,,,,,
24-1,1,,953KM0-03702,,NIPPLE,1,,,,,S,,*,M/#11001,,,,,,,,,,,,,I
25,1,,953KM0-00388,,O-RING,2,,,,,,,,,,,,,
26,1,,953KM0-00485,,ELBOW,1,,,,,,,,,,,,,
26-1,1,,953KM0-03701,,ELBOW,1,,,,,S,,*,M/#11001,,,,,,,,,,,,,I
27,1,,182900-34300,,UNION,1,,,,,,,,,,,,,
28,1,,953KM0-00388,,O-RING,2,,,,,,,,,,,,,
29,1,,182901-34890,, "VALVE ASS'Y",1,,,,,,,,,,,,,
29-1,1,,182901-50980,, "CONTROL VALVE",1,,,,,S,,*,M/#11001,,,,,,,,,,,,,I
29A,2,,182901-23100,,POPPET,1,,,,,,,,,,,,,
30,2,,182901-35500,,ELBOW,1,,,,,,,,,,,,,
30-1,2,,182901-51680,,ELBOW,1,,,,,S,,*,M/#11001,,,,,,,,,,,,,I
31,2,,182900-72870,,NIPPLE,1,,,,,,,,,,,,,
32,1,,182901-34940,, "VALVE ASS'Y",1,,,,,,,,,,,,,
32-1,1,,182901-21700,, "VALVE ASS'Y",1,,,,,S,,*,M/#11001,,,,,,,,,,,,,I
32A,2,,182900-72870,,NIPPLE,1,,,,,,,,,,,,,
33,2,,182901-35080,,NIPPLE,1,,,,,,,,,,,,,
33-1,2,,182901-21710,,NIPPLE,1,,,,,S,,*,M/#11001,,,,,,,,,,,,,I
34,2,,182901-23100,,POPPET,1,,,,,,,,,,,,,
35,1,,953KM0-00388,,O-RING,2,,,,,,,,,,,,,

Fig. 132 バルブエルボ
VALVE ELBOW



1,1,,182901-34960,, "VALVE ASS'Y",1,,,,,,,,,,,,,
2,2,,182901-34970,, "SOLENOID ASS'Y",2,,,,,,,,,,,,,
3,2,,182901-31020,, "SOLENOID ASS'Y",4,,,,,,,,,,,,,
4,2,,182900-70470,, CLIP,6,,,,,,,,,,,,,
5,1,,182901-04320,, BOLT,2,,,,,,,,,,,,,
6,1,,953KM0-00222,, WASHER,2,,,,,,,,,,,,,
7,1,,953KM0-00482,, ELBOW,1,,,,,,,,,,,,,
7A,1,,953KM0-00482,, ELBOW,2,,,,,,,,,,,,,
7A-1,1,,182900-20120,, ELBOW,2,,,,,S,,*,M/#11001,,,,,,I
8,1,,182900-96950,, ELBOW,1,,,,,,,,,,,,,
9,1,,953KM0-00485,, ELBOW,1,,,,,,,,,,,,,
10,1,,182901-31160,, TEE,1,,,,,,,,,,,,,
10-1,1,,182901-51130,, TEE,1,,,,,S,,*,M/#11001,,,,,,I
11,1,,182901-35520,, "FILTER ASS'Y",1,,,,,,,,,,,,,
11A,2,,182901-35510,, TEE,1,,,,,,,,,,,,,
12,2,,953KM0-03788,, STRAINER,1,,,,,,,,,,,,,
13,2,,953KM0-03789,, UNION,1,,,,,,,,,,,,,
14,2,,953KM0-00051,, O-RING,1,,,,,,,,,,,,,
15,1,,182901-31280,, NIPPLE,3,,,,,,,,,,,,,
15-1,1,,182901-51100,, NIPPLE,3,,,,,S,,*,M/#11001,,,,,,I
16,1,,182900-34300,, UNION,3,,,,,,,,,,,,,
16-1,1,,182901-48100,, NIPPLE,3,,,,,S,,*,M/#11001,,,,,,I
17,1,,953KM0-00388,, O-RING,12,,,,,,,,,,,,,
18,1,,182901-34980,, BRACKET,1,,,,,,,,,,,,,
19,1,,182900-68010,, BOLT,4,,,,,,,,,,,,,
20,1,,953KM0-00222,, WASHER,4,,,,,,,,,,,,,
21,1,,182901-35000,, PLATE,1,,,,,,,,,,,,,
22,1,,182900-64860,, BOLT,2,,,,,,,,,,,,,
23,1,,953KM0-00222,, WASHER,2,,,,,,,,,,,,,
24,1,,953KM0-01788,, PLUG,1,,,,,,,,,,,,,
25,1,,182900-24660,, O-RING,1,,,,,,,,,,,,,

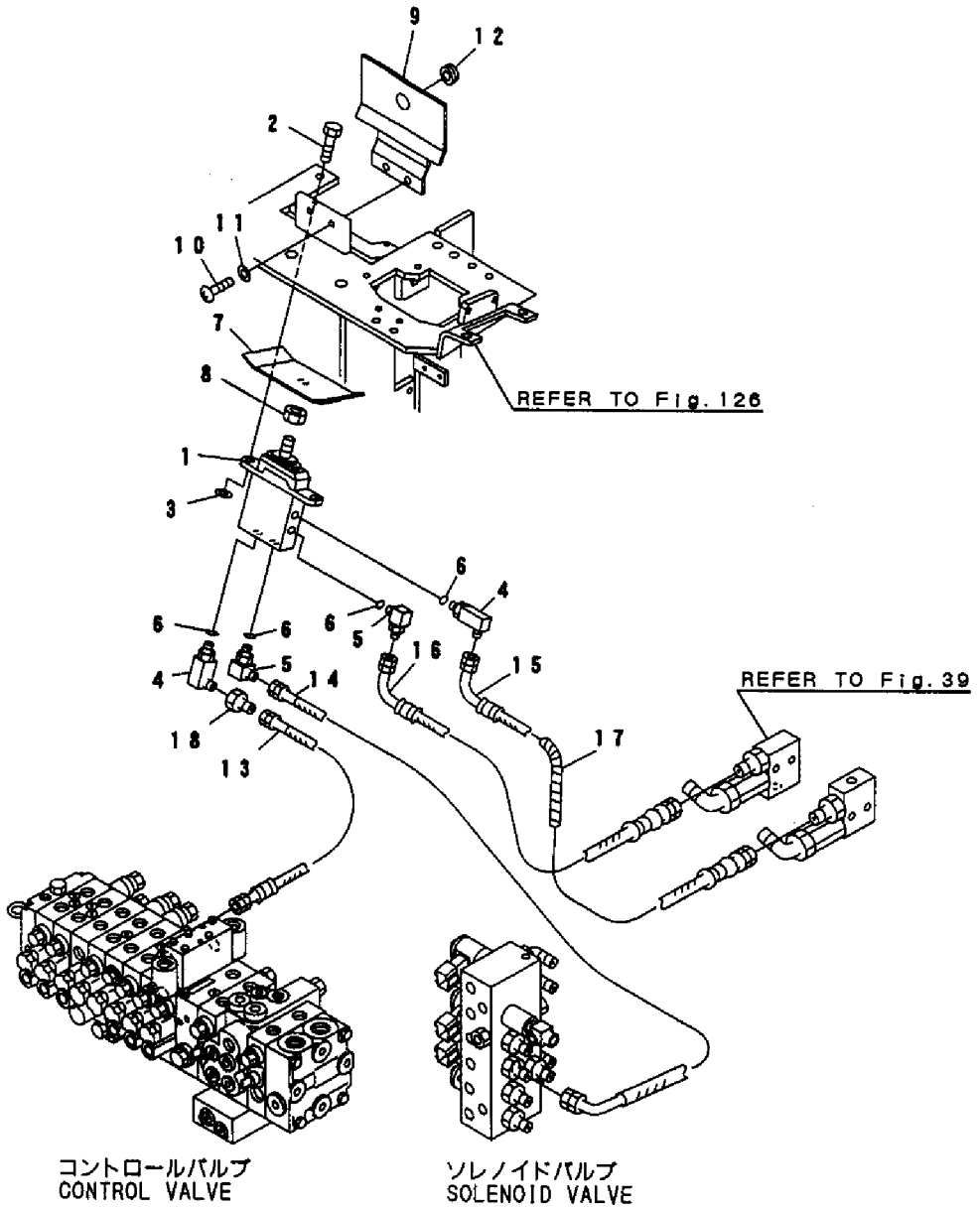
Fig. 133 ソレノイドバルブ SOLENOID VALVE



1,1,,182900-92820,, "PILOT VALVE",1,,,,,1,,,,,,,,,,,,,
2,1,,182900-64860,, BOLT,2,,,,,,,,,,,,,
3,1,,953KM0-00222,, WASHER,2,,,,,,,,,,,,,
4,1,,182900-39000,, ELBOW,2,,,,,,,,,,,,,
5,1,,953KM0-03048,, ELBOW,2,,,,,,,,,,,,,
6,1,,24311-000110,, "O-RING 1A P-11.0",4,,,,,,,,,,,,,
7,1,,182901-31620,, PEDAL,1,,,,,,,,,,,,,
8,1,,953KM0-03879,, NUT,1,,,,,,,,,,,,,
9,1,,182901-32660,, LOCK,1,,,,,,,,,,,,,
10,1,,182901-19410,, SCREW,2,,,,,,,,,,,,,
11,1,,953KM0-00221,, WASHER,2,,,,,,,,,,,,,
12,1,,953KM0-00601,, CAP,1,,,,,,,,,,,,,
13,1,,182901-35410,, HOSE,1,,,,,,,,,,,,,
14,1,,182901-35420,, HOSE,1,,,,,,,,,,,,,
15,1,,182901-35490,, HOSE,1,,,,,,,,,,,,,
16,1,,182901-35610,, HOSE,1,,,,,,,,,,,,,
17,1,,182901-30010,, "SPIRAL TUBE",1,,,,,,,,,,,,,
18,1,,182901-31030,, NIPPLE,1,,,,,,,,,,,,,

Fig. 134 油圧配管 (オフセット, 旧形) HYD. OIL PIPING (OFFSET, PREVIOUS)

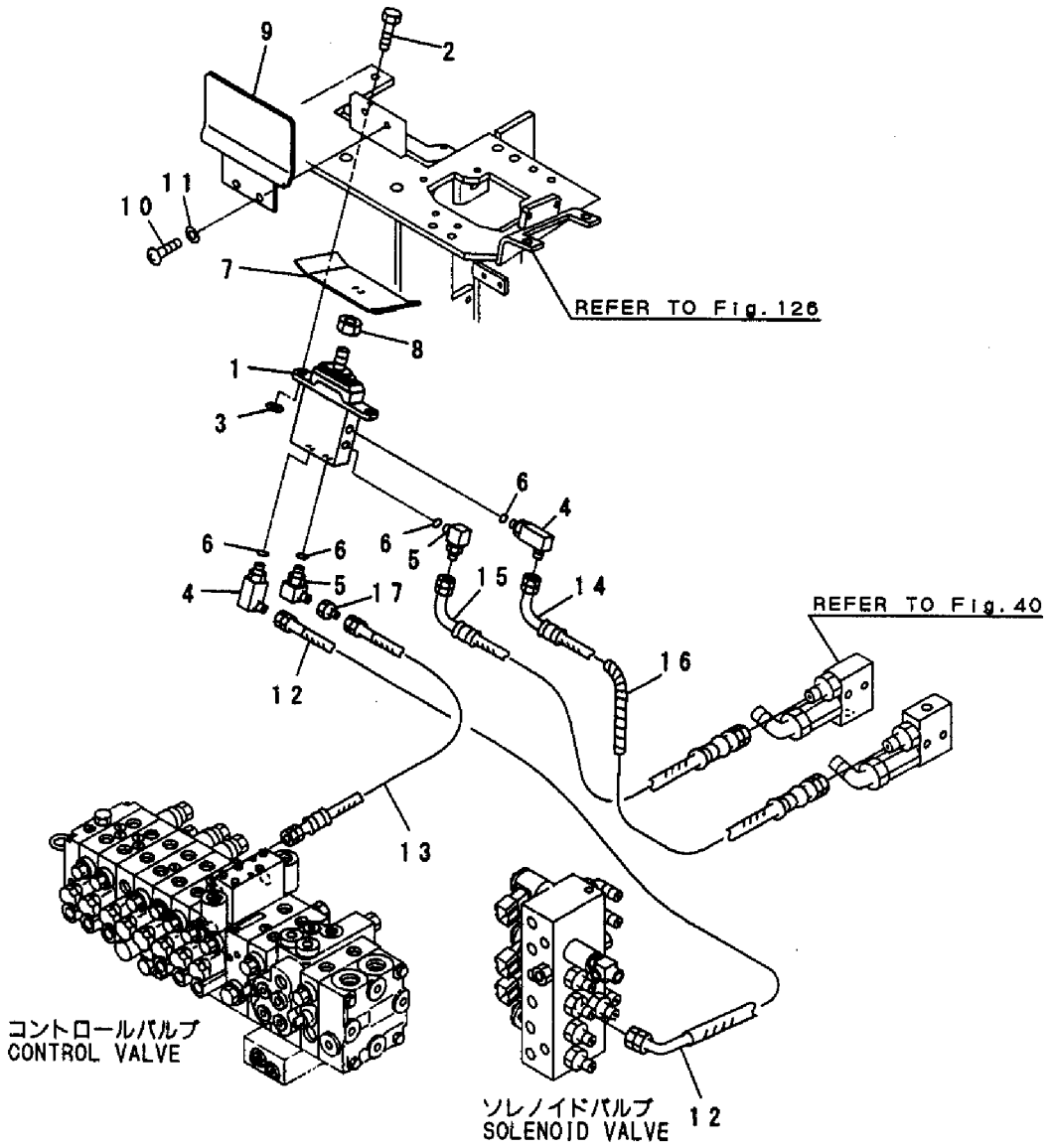
~M/#11000



1,1,,182900-92820,, "PILOT VALVE",1,,,,,1,,,,,,,,,
2,1,,182900-64860,, BOLT,2,,,,,,,,,
3,1,,953KM0-00222,, WASHER,2,,,,,,,,,
4,1,,182900-39000,, ELBOW,2,,,,,,,,,
5,1,,182901-51110,, ELBOW,2,,,,,,,,,
6,1,,24311-000110,, "O-RING 1A P-11.0",4,,,,,,,,,
7,1,,182901-31620,, PEDAL,1,,,,,,,,,
8,1,,953KM0-03879,, NUT,1,,,,,,,,,
9,1,,182901-50410,, LOCK,1,,,,,,,,,
10,1,,182901-19410,, SCREW,2,,,,,,,,,
11,1,,953KM0-00221,, WASHER,2,,,,,,,,,
12,1,,182901-51000,, HOSE,1,,,,,,,,,
13,1,,182901-51010,, HOSE,1,,,,,,,,,
14,1,,182901-35490,, HOSE,1,,,,,,,,,
15,1,,182901-35610,, HOSE,1,,,,,,,,,
16,1,,182901-30010,, "SPIRAL TUBE",1,,,,,,,,,
17,1,,182901-51120,, NIPPLE,1,,,,,,,,,

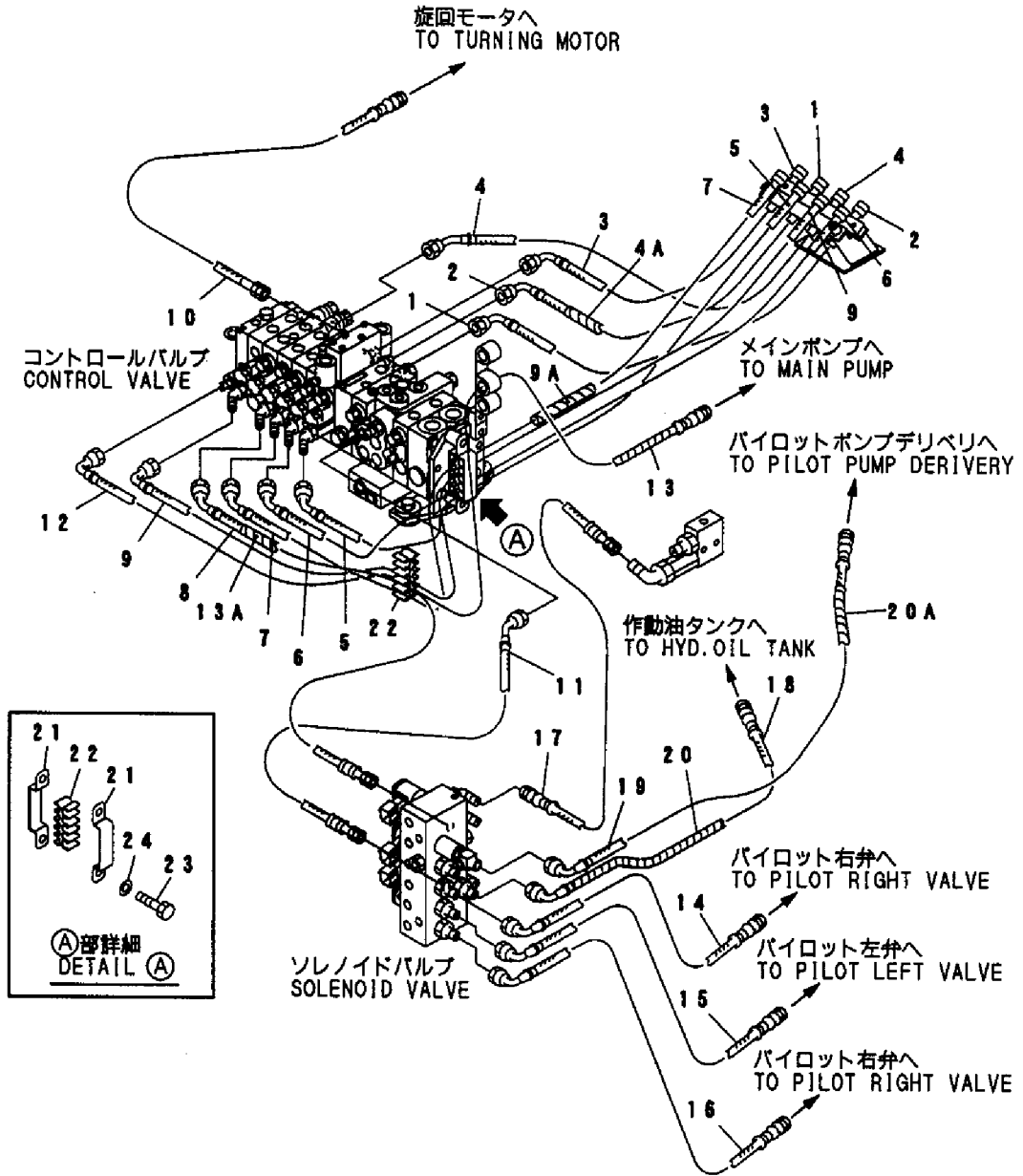
Fig. 135 油圧配管 (オフセット, 新形) HYD. OIL PIPING (OFFSET, NEW)

M/#11001~



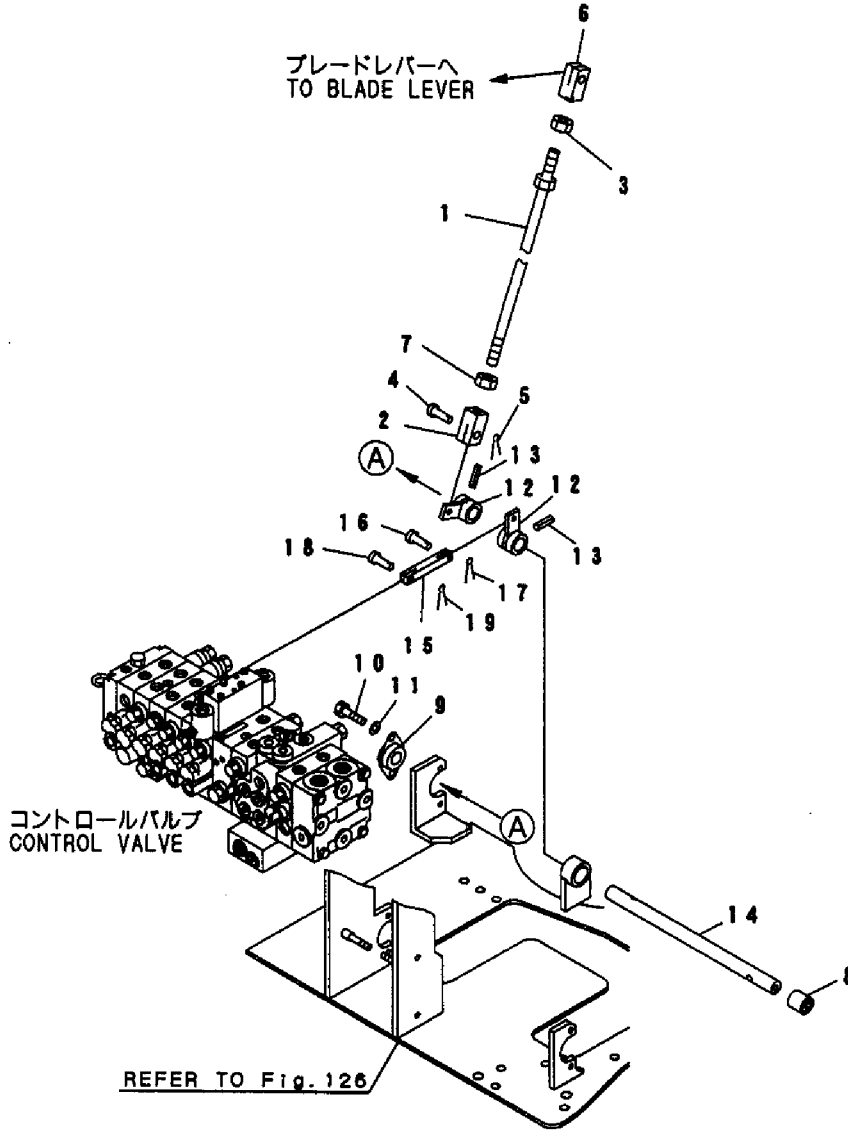
1,1,,182901-35600,, "HOSE, 590MM",1,,,,,,,,,,,,,,,,,,,,,
1-1,1,,182901-51140,,HOSE,1,,,,,,S,,*,M/#11001,,,,,,,,,,,,,I
2,1,,182901-35450,, "HOSE, 420MM",1,,,,,,,,,,,,,,,,,,,,,
2-1,1,,182901-50320,,HOSE,1,,,,,,S,,*,M/#11001,,,,,,,,,,,,,I
3,1,,182901-39020,, "HOSE, 380MM",1,,,,,,,,,,,,,,,,,,,,,
3-1,1,,182901-50330,,HOSE,1,,,,,,S,,*,M/#11001,,,,,,,,,,,,,I
4,1,,182901-35440,, "HOSE, 570MM",1,,,,,,,,,,,,,,,,,,,,,
4-1,1,,182901-51030,,HOSE,1,,,,,,S,,*,M/#11001,,,,,,,,,,,,,I
4A,1,,182901-29980,, "SPIRAL TUBE",1,,,,,,,,,,,,,,,,,,,,,
5,1,,182901-35480,, "HOSE, 200MM",1,,,,,,,,,,,,,,,,,,,,,
5-1,1,,182901-51050,,HOSE,1,,,,,,S,,*,M/#11001,,,,,,,,,,,,,I
6,1,,182901-35470,, "HOSE, 230MM",1,,,,,,,,,,,,,,,,,,,,,
6-1,1,,182901-51050,,HOSE,1,,,,,,S,,*,M/#11001,,,,,,,,,,,,,I
7,1,,182901-35560,, "HOSE, 730MM",1,,,,,,,,,,,,,,,,,,,,,
7-1,1,,182901-51060,,HOSE,1,,,,,,S,,*,M/#11001,,,,,,,,,,,,,I
8,1,,182901-35460,, "HOSE, 290MM",1,,,,,,,,,,,,,,,,,,,,,
8-1,1,,182901-51040,,HOSE,1,,,,,,S,,*,M/#11001,,,,,,,,,,,,,I
9,1,,182901-35430,, "HOSE, 850MM",1,,,,,,,,,,,,,,,,,,,,,
9-1,1,,182901-51020,,HOSE,1,,,,,,S,,*,M/#11001,,,,,,,,,,,,,I
9A,1,,182901-29980,, "SPIRAL TUBE",1,,,,,,,,,,,,,,,,,,,,,
10,1,,182901-31260,, "HOSE, 300MM",1,,,,,,,,,,,,,,,,,,,,,
11,1,,182901-35960,,HOSE,1,,,,,,,,,,,,,,,,,,,,,
11-1,1,,182901-51160,,HOSE,1,,,,,,S,,*,M/#11001,,,,,,,,,,,,,I
12,1,,182901-35030,,HOSE,1,,,,,,,,,,,,,,,,,,,,,
13,1,,182901-29980,, "SPIRAL TUBE",1,,,,,,,,,,,,,,,,,,,,,
13A,1,,182901-29990,, "SPIRAL TUBE",1,,,,,,,,,,,,,,,,,,,,,
13A-1,1,,182901-30000,, "SPIRAL TUBE",1,,,,,,S,,*,M/#10501,,,,,,,,,,,,,I
14,1,,182901-35570,, "HOSE, 560MM",1,,,,,,,,,,,,,,,,,,,,,
14-1,1,,182901-51070,, "HOSE, 560MM",1,,,,,,S,,*,M/#11001,,,,,,,,,,,,,I
15,1,,182901-35580,, "HOSE, 490MM",1,,,,,,,,,,,,,,,,,,,,,
15-1,1,,182901-51080,, "HOSE, 490MM",1,,,,,,S,,*,M/#11001,,,,,,,,,,,,,I
16,1,,182901-35590,, "HOSE, 510MM",1,,,,,,,,,,,,,,,,,,,,,
16-1,1,,182901-51090,, "HOSE, 510MM",1,,,,,,S,,*,M/#11001,,,,,,,,,,,,,I
17,1,,182900-39510,,HOSE,1,,,,,,,,,,,,,,,,,,,,,
18,1,,182901-29690,,HOSE,1,,,,,,,,,,,,,,,,,,,,,
18-1,1,,182901-50270,,HOSE,1,,,,,,S,,*,M/#11001,,,,,,,,,,,,,I
19,1,,182901-29720,, "HOSE, 1500MM",1,,,,,,Z,,*,M/#10501,,,,,,,,,,,,,I
20,1,,182901-30050,, "SPIRAL TUBE",1,,,,,,,,,,,,,,,,,,,,,
20A,1,,182901-30000,, "SPIRAL TUBE",1,,,,,,Z,,*,M/#10501,,,,,,,,,,,,,I
21,1,,182901-35550,,CLIP,2,,,,,,,,,,,,,,,,,,,,,
22,1,,182901-35540,,CLAMP,2,,,,,,,,,,,,,,,,,,,,,
23,1,,182900-68000,,BOLT,2,,,,,,,,,,,,,,,,,,,,,
24,1,,953KM0-00222,,WASHER,2,,,,,,,,,,,,,,,,,,,,,

Fig. 136 油圧配管 (メイン)
HYD. OIL PIPING (MAIN)



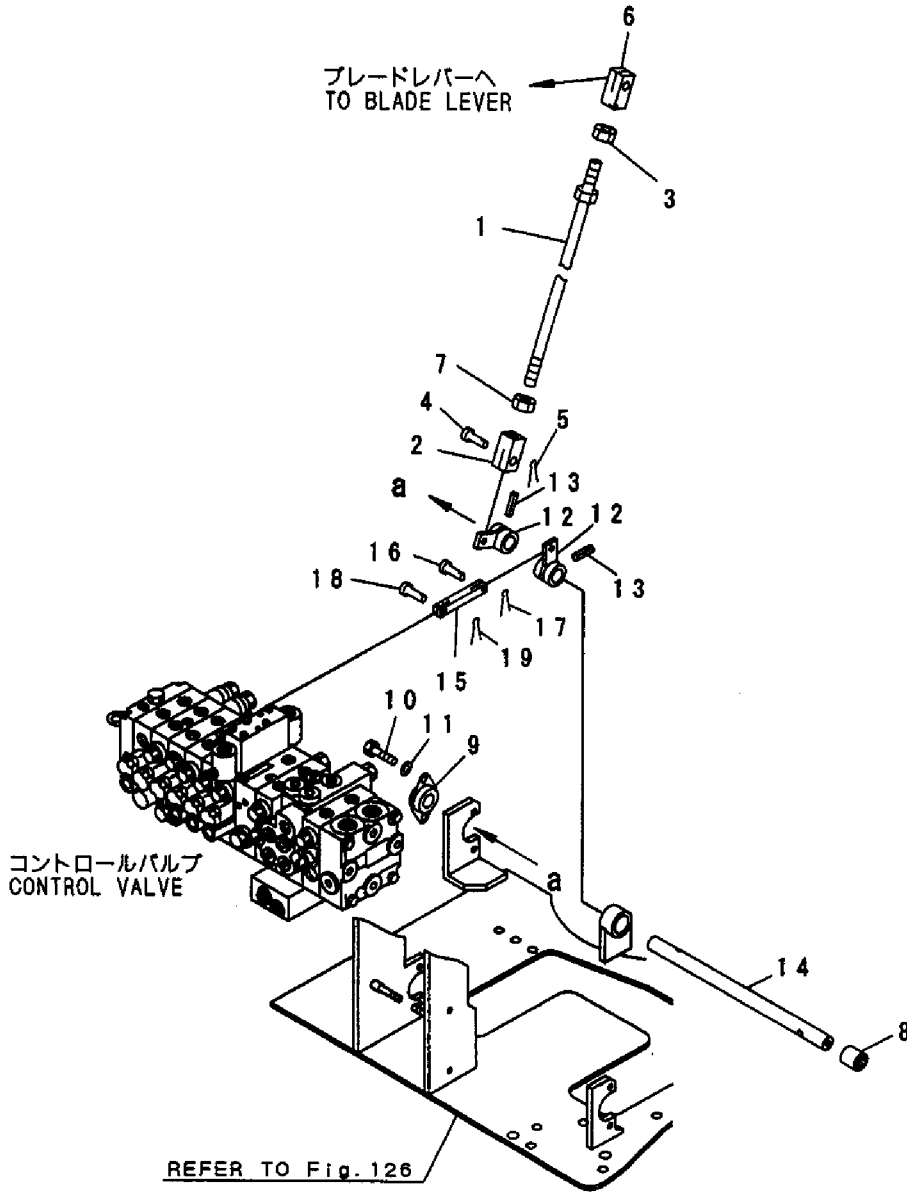
1,1,,182901-32690,,ROD,1,,,,,,,,,,,,,
2,1,,953KM0-00305,,,"YOKE, L.H, THREAD",1,,,,,,,,,,,,,
3,1,,953KM0-00180,,NUT,1,,,,,,,,,,,,,
4,1,,953KM0-00292,,PIN,1,,,,,,,,,,,,,
5,1,,22372-080000,,,"SNAP PIN (JASO 8)",1,,,,,,,,,,,,,
6,1,,953KM0-00301,,YOKE,1,,,,,,,,,,,,,
7,1,,953KM0-02073,,,"NUT,L.H.THREAD",1,,,,,,,,,,,,,
8,1,,182901-19540,,BEARING,1,,,,,,,,,,,,,
9,1,,953KM0-02958,,BEARING,1,,,,,,,,,,,,,
10,1,,182900-67980,,BOLT,2,,,,,,,,,,,,,
11,1,,953KM0-00221,,WASHER,2,,,,,,,,,,,,,
12,1,,182901-39700,,LEVER,2,,,,,,,,,,,,,
13,1,,22351-050032,,,"SPRING PIN 5X32",2,,,,,,,,,,,,,
14,1,,182901-32680,,SHAFT,1,,,,,,,,,,,,,
15,1,,182901-31610,,SHAFT,1,,,,,,,,,,,,,
16,1,,182901-29460,,PIN,1,,,,,,,,,,,,,
17,1,,22372-050000,,,"SNAP PIN JASO 5",1,,,,,,,,,,,,,
18,1,,182900-33950,,PIN,1,,,,,,,,,,,,,
19,1,,22372-080000,,,"SNAP PIN (JASO 8)",1,,,,,,,,,,,,,

Fig. 137 操縦装置 (ブレード)
CONTROL EQUIP. (BLADE)



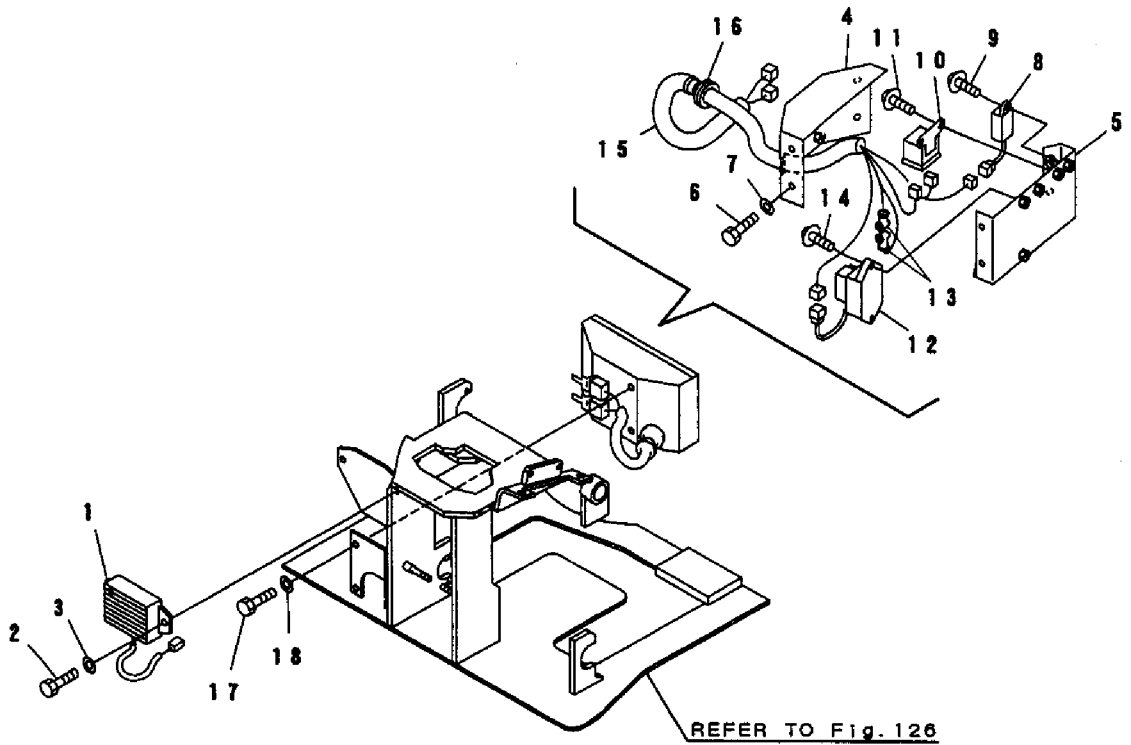
1,1,,182901-32690,,ROD,1,,,,,,,,,,,,,
2,1,,953KM0-00305,,,"YOKE, L.H, THREAD",1,,,,,,,,,,,,,
3,1,,953KM0-00180,,NUT,1,,,,,,,,,,,,,
4,1,,953KM0-00292,,PIN,1,,,,,,,,,,,,,
5,1,,22372-080000,,,"SNAP PIN (JASO 8)",1,,,,,,,,,,,,,
6,1,,953KM0-00301,,YOKE,1,,,,,,,,,,,,,
7,1,,953KM0-02073,,,"NUT,L.H.THREAD",1,,,,,,,,,,,,,
8,1,,182901-19540,,BEARING,1,,,,,,,,,,,,,
9,1,,953KM0-02958,,BEARING,1,,,,,,,,,,,,,
10,1,,182900-67980,,BOLT,2,,,,,,,,,,,,,
11,1,,953KM0-00221,,WASHER,2,,,,,,,,,,,,,
12,1,,182901-39700,,LEVER,2,,,,,,,,,,,,,
13,1,,22351-050032,,,"SPRING PIN 5X32",2,,,,,,,,,,,,,
14,1,,182901-32680,,SHAFT,1,,,,,,,,,,,,,
15,1,,182901-31610,,SHAFT,1,,,,,,,,,,,,,
16,1,,182901-29460,,PIN,1,,,,,,,,,,,,,
17,1,,22417-120100,,,"COTTER PIN 1.2X10",1,,,,,,,,,,,,,
18,1,,953KM0-00282,,PIN,1,,,,,,,,,,,,,
19,1,,22417-200160,,,"COTTER PIN 2.0X16",1,,,,,,,,,,,,,

Fig. 138 操縦装置 (ブレード) (1アクチュエータアタッチメント) (2ウェイ)
CONTROL EQUIP. (BLADE (1-ACTUATER ATTACHMENT) (2 WAY))



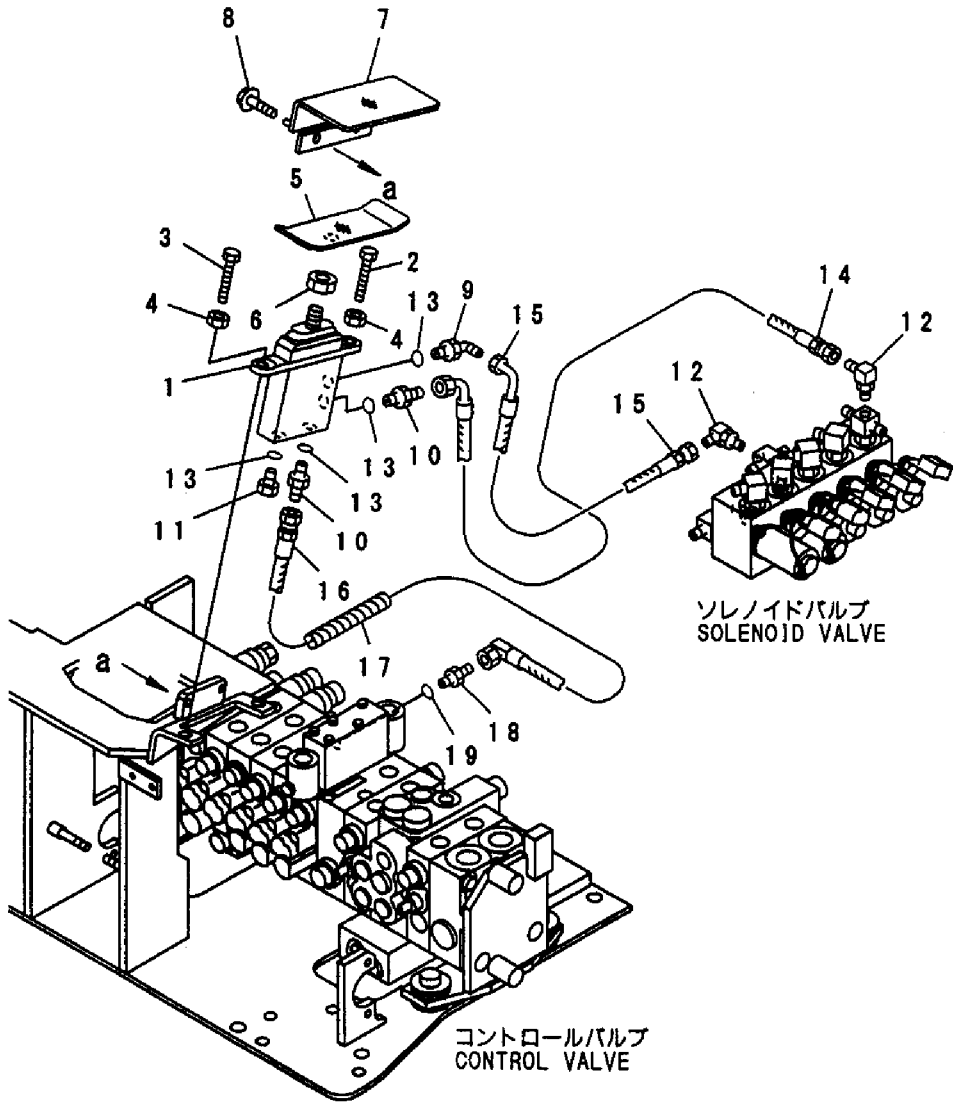
1,1,,953KM0-03692,,REGISTER,1,,,,,,,,,,,,,
2,1,,182900-64830,,BOLT,2,,,,,,,,,,,,,
3,1,,953KM0-00221,,WASHER,2,,,,,,,,,,,,,
4,1,,182901-32390,,BRACKET,1,,,,,,,,,,,,,
5,1,,182901-38330,,BRACKET,1,,,,,,,,,,,,,
6,1,,182900-67970,,BOLT,4,,,,,,,,,,,,,
7,1,,953KM0-00221,,WASHER,4,,,,,,,,,,,,,
8,1,,182900-26230,,TIMER,1,,,,,,,,,,,,,
9,1,,182901-29220,,SCREW,1,,,,,,,,,,,,,
10,1,,182900-26220,, "RELAY ASS'Y",1,,,,,,,,,,,,,
11,1,,182901-29210,,SCREW,2,,,,,,,,,,,,,
12,1,,182901-25420,,RELAY,1,,,,,,,,,,,,,
13,1,,953KM0-10957,,CAP,2,,,,,,,,,,,,,
14,1,,182901-29200,,SCREW,2,,,,,,,,,,,,,
15,1,,182901-32380,, "WIRING HARNESS",1,,,,,,,,,,,,,
16,1,,182901-30930,,GROMMET,1,,,,,,,,,,,,,
17,1,,182900-67980,,BOLT,2,,,,,,,,,,,,,
18,1,,953KM0-00221,,WASHER,2,,,,,,,,,,,,,

Fig. 139 操縦装置 (レジスタ&リレーボックス)
CONTROL EQUIP. (RESISTOR & RELAY BOX)



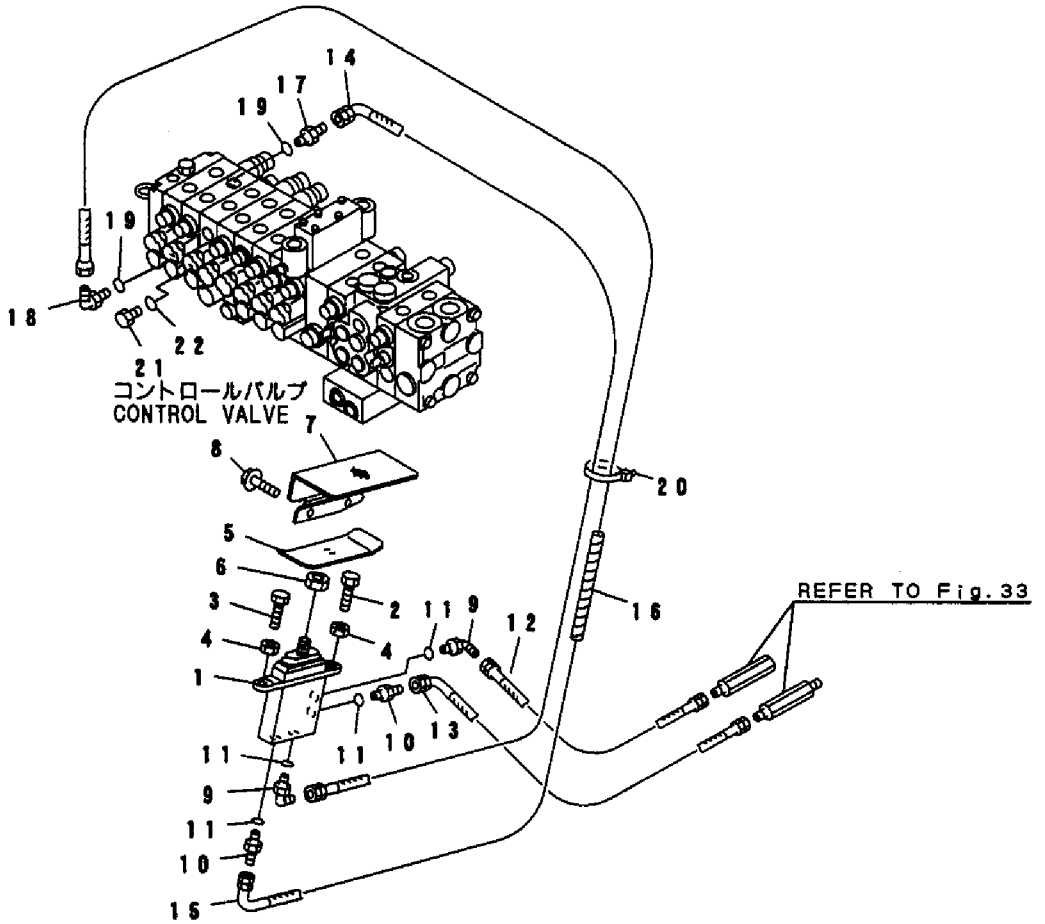
1,1,,182900-92820,, "PILOT VALVE",1,,,,,1,,,,,,,,,,,,,
2,1,,953KM0-00143,, BOLT,1,,,,,,,,,,,,,
3,1,,182901-29140,, BOLT,1,,,,,,,,,,,,,
4,1,,953KM0-00181,, NUT,2,,,,,,,,,,,,,
5,1,,182901-32040,, PEDAL,1,,,,,,,,,,,,,
6,1,,953KM0-03879,, NUT,1,,,,,,,,,,,,,
7,1,,182901-37020,, LOCK,1,,,,,,,,,,,,,
8,1,,182900-04230,, BOLT,2,,,,,,,,,,,,,
9,1,,953KM0-03048,, ELBOW,1,,,,,,,,,,,,,
10,1,,953KM0-02134,, NIPPLE,2,,,,,,,,,,,,,
11,1,,182901-50380,, PLUG,1,,,,,,,,,,,,,
12,1,,182901-50370,, ELBOW,2,,,,,,,,,,,,,
13,1,,24315-000110,, "O-RING 1B P-11.0",4,,,,,,,,,,,,,
14,1,,182901-36930,, HOSE,1,,,,,,,,,,,,,
15,1,,182901-36940,, HOSE,1,,,,,,,,,,,,,
16,1,,182901-51450,, HOSE,1,,,,,,,,,,,,,
17,1,,182901-30060,, "SPIRAL TUBE",1,,,,,,,,,,,,,
18,1,,953KM0-03702,, NIPPLE,1,,,,,,,,,,,,,
19,1,,953KM0-00388,, O-RING,1,,,,,,,,,,,,,

Fig. 140 油圧配管 (1アクチュエータアタッチメント)
HYD. OIL PIPING (1-ACTUATER ATTACHMENT)



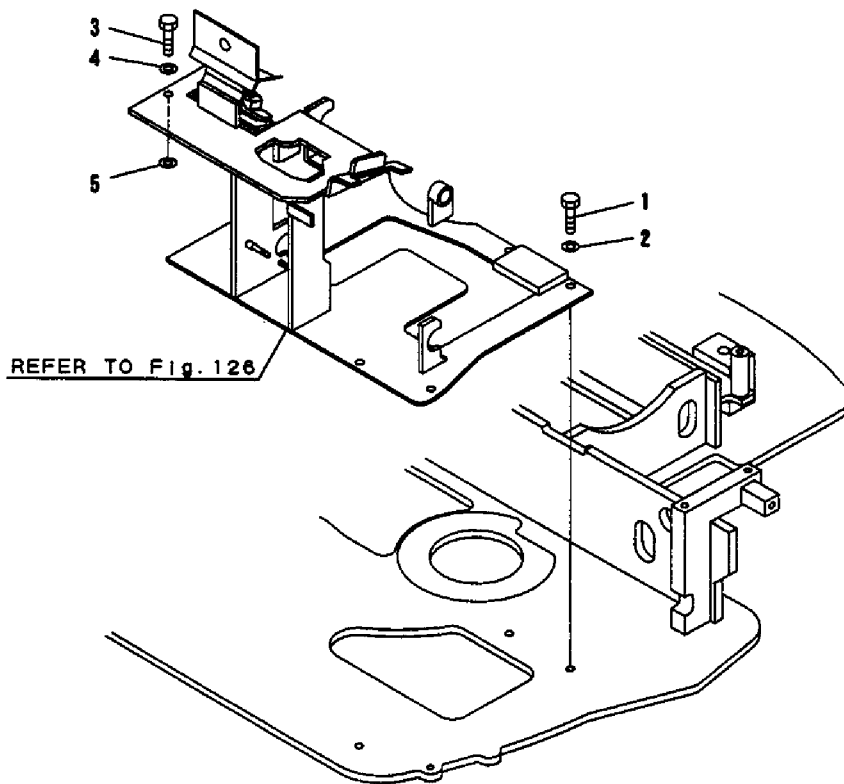
1,1,,182900-31360,, "VALVE ASS'Y",1,,,,,1,,,,,
1-1,1,,182900-92820,, "PILOT VALVE",1,,,,,S,2,*M/#10501,,,,,I
2,1,,953KM0-00143,, BOLT,1,,,,,
3,1,,182901-29140,, BOLT,1,,,,,
4,1,,953KM0-00181,, NUT,2,,,,,
5,1,,182901-32040,, PEDAL,1,,,,,
6,1,,953KM0-03879,, NUT,1,,,,,
7,1,,182901-37020,, LOCK,1,,,,,
8,1,,182900-04230,, BOLT,2,,,,,
9,1,,953KM0-03048,, ELBOW,2,,,,,
10,1,,953KM0-02134,, NIPPLE,2,,,,,
11,1,,24315-000110,, "O-RING 1B P-11.0",4,,,,,
12,1,,182901-36930,, HOSE,1,,,,,
13,1,,182901-36940,, HOSE,1,,,,,
14,1,,182900-38980,, HOSE,1,,,,,
14-1,1,,182901-51420,, "HOSE, 900MM",1,,,,,S,,*,M/#11001,,,,,I
15,1,,182901-36920,, HOSE,1,,,,,
15-1,1,,182901-51430,, "HOSE, 1450MM",1,,,,,S,,*,M/#11001,,,,,I
16,1,,182901-30080,, "SPIRAL TUBE",1,,,,,
17,1,,182900-34300,, UNION,1,,,,,
18,1,,953KM0-00485,, ELBOW,1,,,,,
19,1,,953KM0-00388,, O-RING,2,,,,,
20,1,,182900-44660,, BAND,1,,,,,
21,1,,182900-24670,, PLUG,2,,,,,
22,1,,953KM0-00388,, O-RING,2,,,,,

Fig. 141 油圧配管 (1アクチュエータアタッチメント) (2ウェイ)
 HYD. OIL PIPING (1-ACTUATER ATTACHMENT) (2 WAY)



1,1,,182900-77310,,BOLT,7,,,,,,,,,,,,,,,,,,,,,
2,1,,953KM0-00048,,WASHER,7,,,,,,,,,,,,,,,,,,,,,
3,1,,182900-76190,,BOLT,1,,,,,,,,,,,,,,,,,,,,,
4,1,,953KM0-00222,,WASHER,1,,,,,,,,,,,,,,,,,,,,,
5,1,,182901-40700,, "SHIM, 1.0MM",2,,,,,,,,,,,,,,,,,,,,,

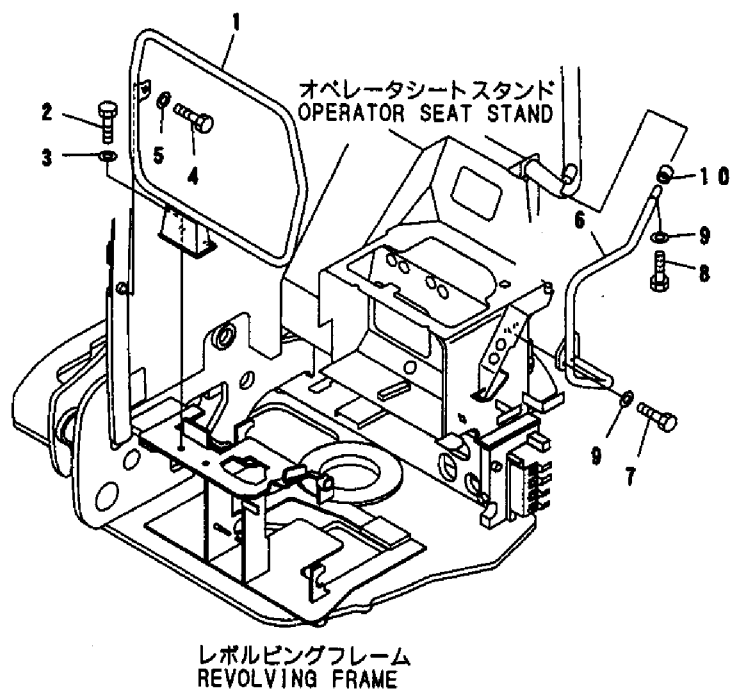
Fig. 142 操縦装置 (マウント)
CONTROL EQUIP. (MOUNT)



レボルピングフレーム
REVOLVING FRAME

1,1,,182901-33830,,STAY,1,,,,,,,,,,,,,
2,1,,182901-29030,,BOLT,2,,,,,,,,,,,,,
3,1,,182900-49780,,WASHER,2,,,,,,,,,,,,,
4,1,,182901-28980,,BOLT,1,,,,,,,,,,,,,
5,1,,182900-33900,,WASHER,1,,,,,,,,,,,,,
6,1,,182901-33030,,STAY,1,,,,,,,,,,,,,
7,1,,182901-29010,,BOLT,3,,,,,,,,,,,,,
8,1,,182901-28980,,BOLT,1,,,,,,,,,,,,,
9,1,,182900-33900,,WASHER,4,,,,,,,,,,,,,
10,1,,182901-33370,,JOINT,1,,,,,,,,,,,,,

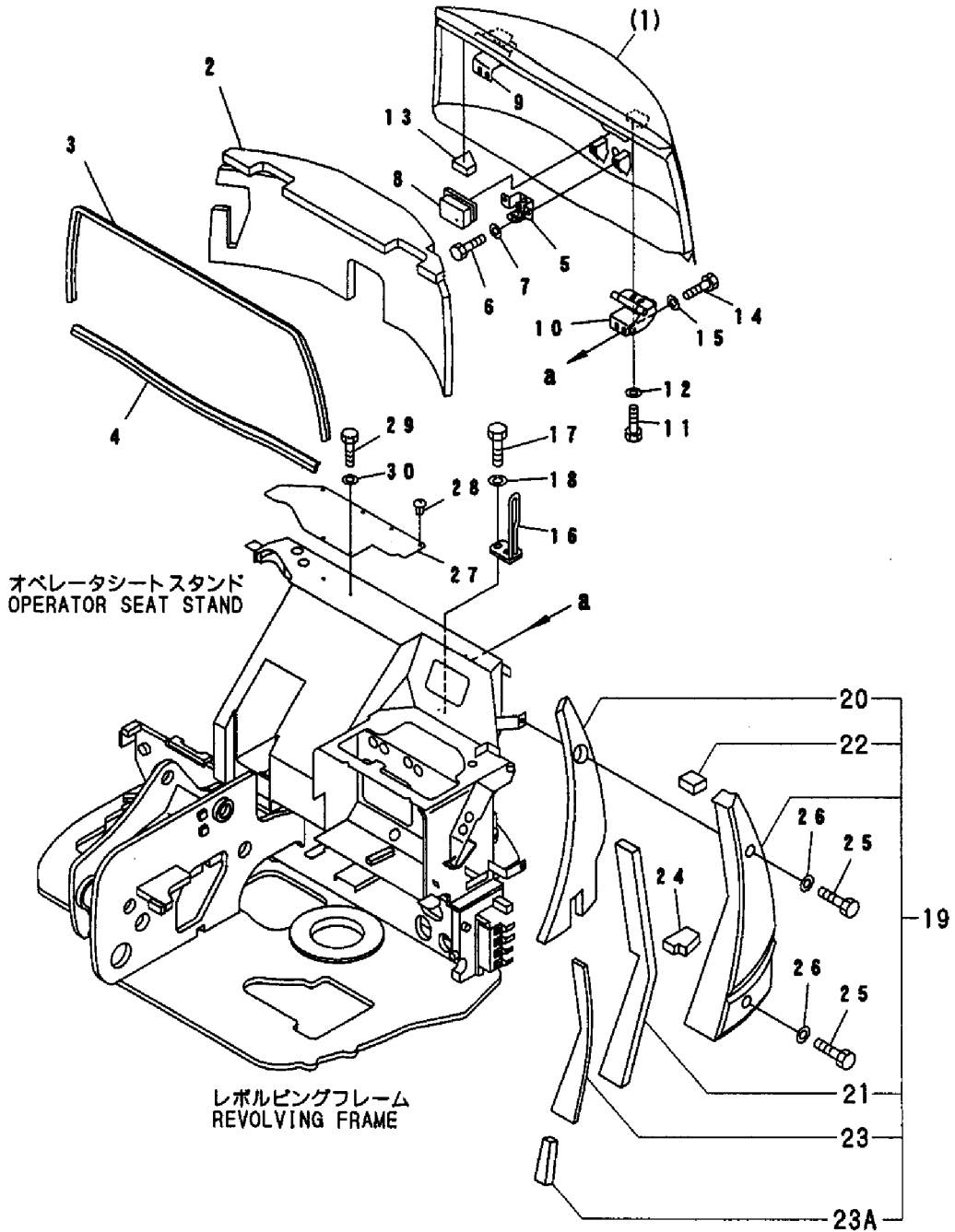
Fig. 143 ハンドレール HAND RAIL



1,1,,182901-34680,, "HOOD ASS'Y",1,,,,,,,,,,,,,
2,2,,182901-38840,, SHEET,1,,,,,,,,,,,,,
3,2,,182901-31810,, SEAL,1,,,,,,,,,,,,,
4,2,,182901-31820,, SEAL,1,,,,,,,,,,,,,
5,2,,182901-24100,, "LOCK ASS'Y",1,,,,,,,,,,,,,
6,2,,182900-67990,, BOLT,2,,,,,,,,,,,,,
7,2,,953KM0-00222,, WASHER,2,,,,,,,,,,,,,
8,2,,182901-24090,, CATCH,1,,,,,,,,,,,,,
9,2,,182901-38800,, HINGE,1,,,,,,,,,,,,,
9-1,2,,182901-23360,, HINGE,1,,,,,N,,*,M/#11001,,,,,,,,,I
10,2,,182901-38770,, HINGE,1,,,,,,,,,,,,,
10-1,2,,182901-23370,, HINGE,1,,,,,S,,*,M/#11001,,,,,,,,,I
11,2,,182900-68000,, BOLT,4,,,,,,,,,,,,,
12,2,,182900-27310,, WASHER,4,,,,,,,,,,,,,
12-1,2,,953KM0-03953,, WASHER,4,,,,,N,,*,M/#11001,,,,,,,,,I
13,2,,182901-31830,, SHEET,1,,,,,,,,,,,,,
14,1,,182900-64860,, BOLT,4,,,,,,,,,,,,,
15,1,,182900-27310,, WASHER,4,,,,,,,,,,,,,
16,1,,182901-34030,, BRACKET,1,,,,,,,,,,,,,
17,1,,182900-64860,, BOLT,2,,,,,,,,,,,,,
18,1,,182900-27310,, WASHER,2,,,,,,,,,,,,,
19,1,,182901-34720,, "COVER ASS'Y",1,,,,,,,,,,,,,
20,2,,182901-23390,, SHEET,1,,,,,,,,,,,,,
21,2,,182901-33150,, SHEET,1,,,,,,,,,,,,,
22,2,,182901-23400,, SHEET,1,,,,,,,,,,,,,
23,2,,182901-34350,, SHEET,1,,,,,,,,,,,,,
23A,2,,182901-34520,, SHEET,1,,,,,,,,,,,,,I
24,1,,182901-34340,, SHEET,1,,,,,,,,,,,,,
25,1,,182900-64860,, BOLT,2,,,,,,,,,,,,,
26,1,,182900-27310,, WASHER,2,,,,,,,,,,,,,
27,1,,182901-33790,, SHEET,1,,,,,,,,,,,,,
28,1,,953KM0-03952,, CAP,4,,,,,,,,,,,,,
29,1,,182900-67950,, BOLT,2,,,,,,,,,,,,,
30,1,,953KM0-04212,, WASHER,2,,,,,,,,,,,,,

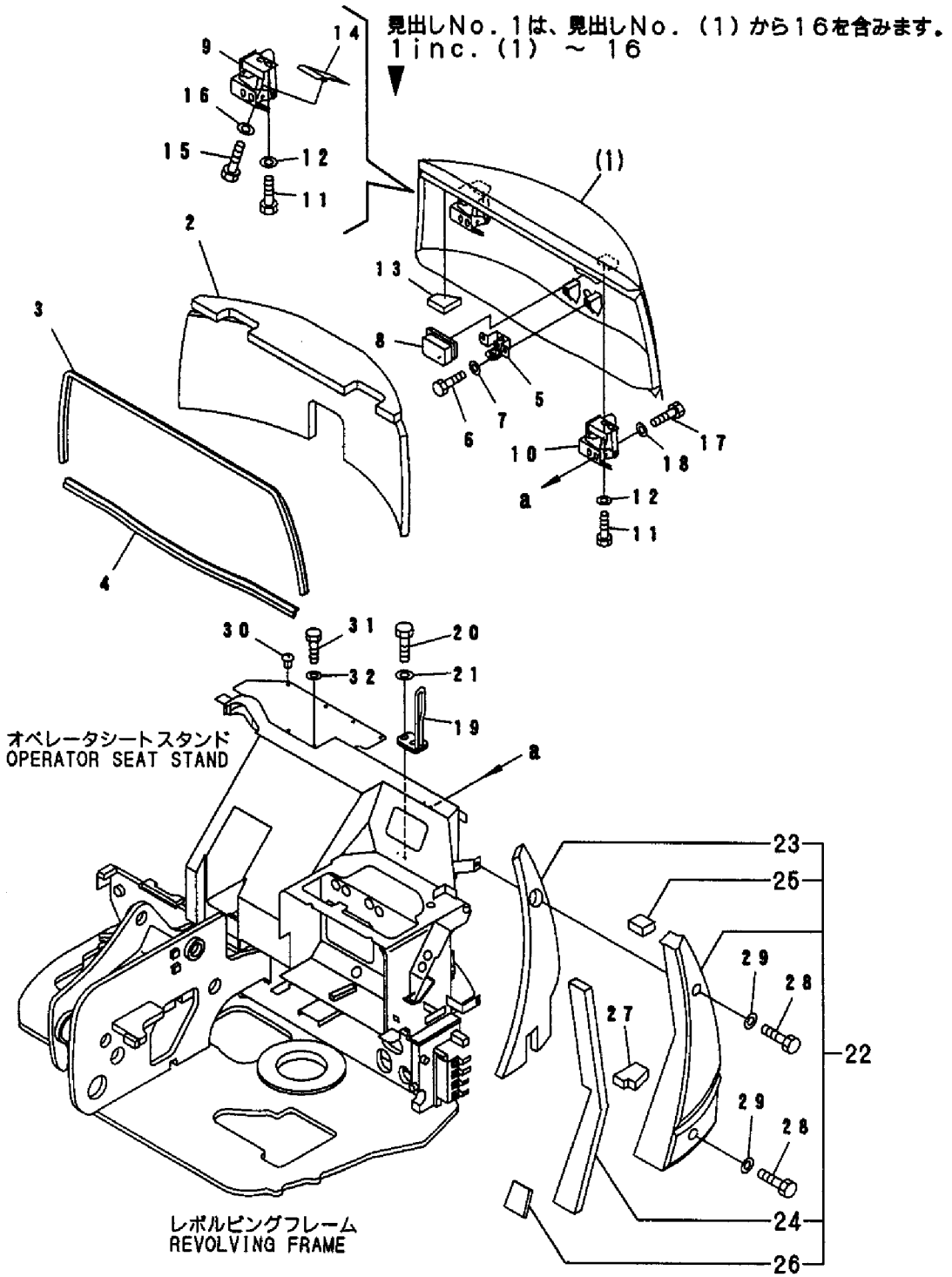
Fig. 144 ボンネット (キャノピー) BONNET (CANOPY)

見出しNo. 1は、見出しNo. (1) から13を含みます。
inc. (1) ~ 13



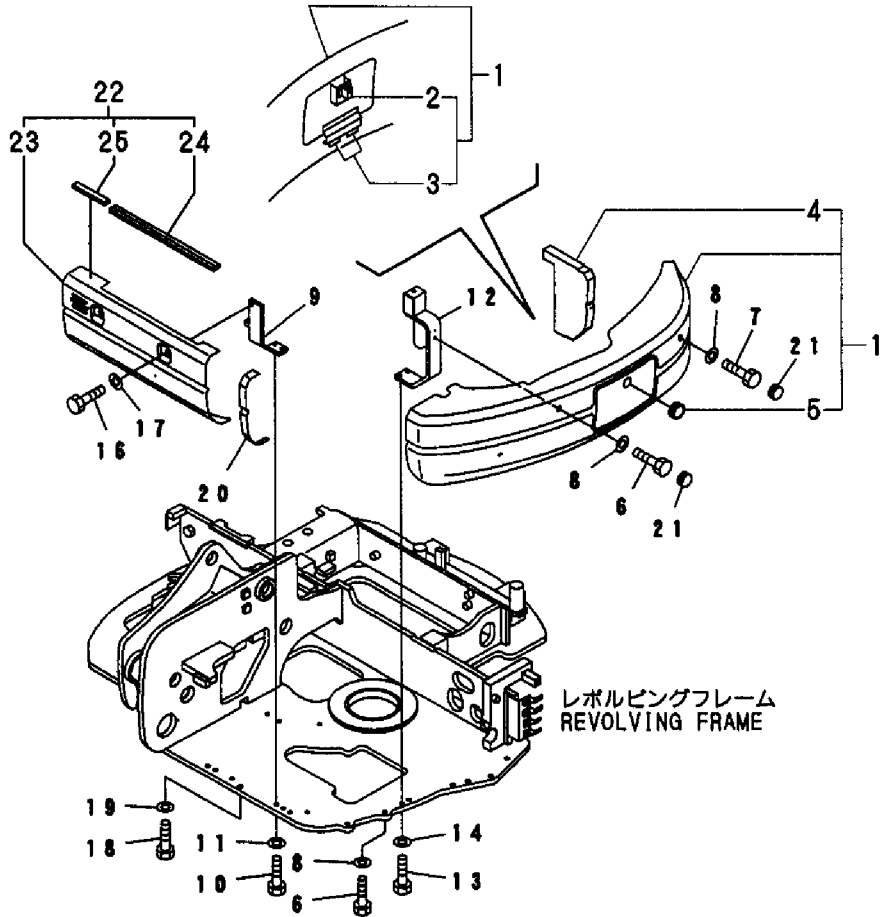
1,1,,182901-34710,, "HOOD ASS'Y",1,,,,,,,,,,,,,
2,2,,182901-38840,, SHEET,1,,,,,,,,,,,,,
3,2,,182901-31810,, SEAL,1,,,,,,,,,,,,,
4,2,,182901-31820,, SEAL,1,,,,,,,,,,,,,
5,2,,182901-24100,, "LOCK ASS'Y",1,,,,,,,,,,,,,
6,2,,182900-67990,, BOLT,2,,,,,,,,,,,,,
7,2,,953KM0-00222,, WASHER,2,,,,,,,,,,,,,
8,2,,182901-24090,, CATCH,1,,,,,,,,,,,,,
9,2,,182901-38810,, HINGE,1,,,,,,,,,,,,,
10,2,,182901-38780,, HINGE,1,,,,,,,,,,,,,
11,2,,182900-68000,, BOLT,4,,,,,,,,,,,,,
12,2,,182900-27310,, WASHER,4,,,,,,,,,,,,,
13,2,,182901-31830,, SHEET,1,,,,,,,,,,,,,
14,2,,182901-34020,, BRACKET,1,,,,,,,,,,,,,
15,2,,182900-64830,, BOLT,2,,,,,,,,,,,,,
16,2,,953KM0-00221,, WASHER,2,,,,,,,,,,,,,
17,1,,182900-64860,, BOLT,4,,,,,,,,,,,,,
18,1,,182900-27310,, WASHER,4,,,,,,,,,,,,,
19,1,,182901-34030,, BRACKET,1,,,,,,,,,,,,,
20,1,,182900-64860,, BOLT,2,,,,,,,,,,,,,
21,1,,182900-27310,, WASHER,2,,,,,,,,,,,,,
22,1,,182901-34760,, "COVER ASS'Y",1,,,,,,,,,,,,,
23,2,,182901-23390,, SHEET,1,,,,,,,,,,,,,
24,2,,182901-33150,, SHEET,1,,,,,,,,,,,,,
25,2,,182901-23400,, SHEET,1,,,,,,,,,,,,,
26,2,,182901-34470,, SHEET,1,,,,,,,,,,,,,
27,1,,182901-34340,, SHEET,1,,,,,,,,,,,,,
28,1,,182900-64860,, BOLT,2,,,,,,,,,,,,,
29,1,,182900-27310,, WASHER,2,,,,,,,,,,,,,
30,1,,953KM0-03952,, CAP,4,,,,,,,,,,,,,
31,1,,182900-67950,, BOLT,2,,,,,,,,,,,,,
32,1,,953KM0-04212,, WASHER,2,,,,,,,,,,,,,

Fig. 145 ボンネット (キャビン) BONNET (CABIN)



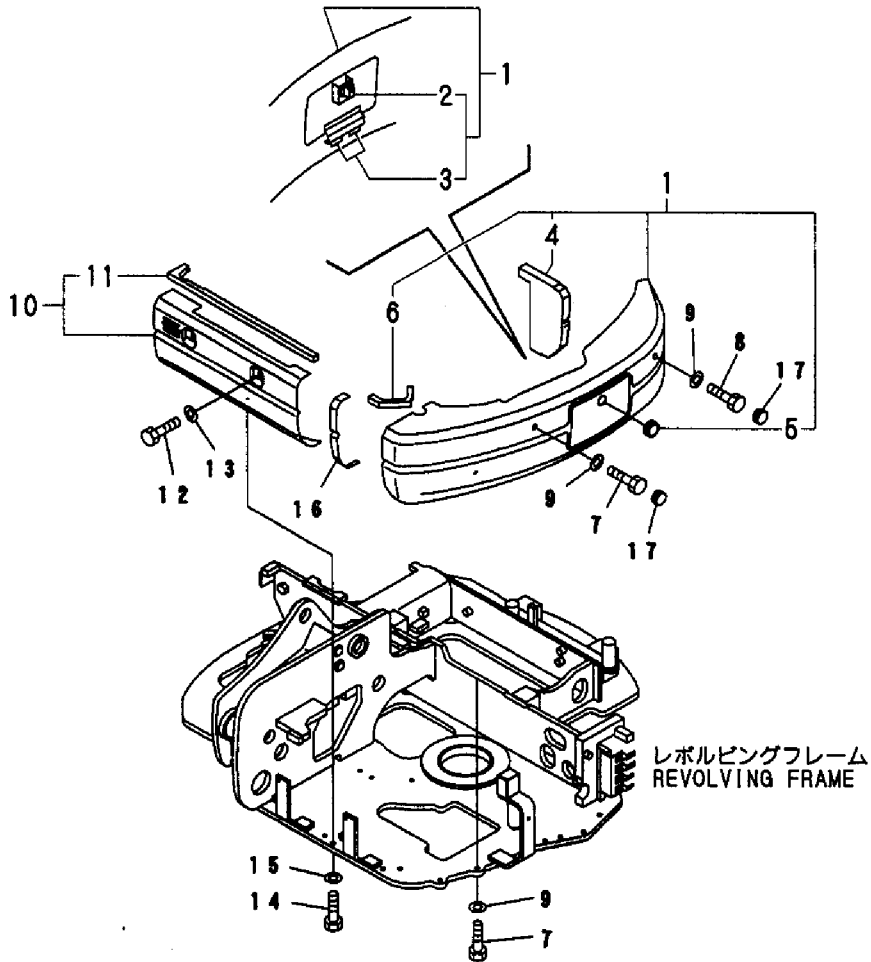
1,1,,182901-34650,,COVER,1,,,,,,,,,,,,,
1-1,1,,182901-50920,,COVER,1,,,,,,N,,*,M/#11001,,,,,,,,,,,,,I
2,3,,182901-40420,,STOPPER,1,,,,,,,,,,,,,
3,3,,182901-30280,,HINGE,2,,,,,,,,,,,,,
4,2,,182901-33340,,SHEET,1,,,,,,,,,,,,,
5,2,,953KM0-00564,,GROMMET,1,,,,,,,,,,,,,
6,1,,182900-64870,,BOLT,3,,,,,,,,,,,,,
7,1,,182900-82610,,BOLT,1,,,,,,,,,,,,,
8,1,,953KM0-00222,,WASHER,4,,,,,,,,,,,,,
9,1,,182901-32730,,BRACKET,2,,,,,,,,,,,,,
10,1,,182900-64870,,BOLT,4,,,,,,,,,,,,,
11,1,,953KM0-00048,,WASHER,4,,,,,,,,,,,,,
12,1,,182901-32750,,BRACKET,1,,,,,,,,,,,,,
13,1,,182900-64870,,BOLT,2,,,,,,,,,,,,,
14,1,,953KM0-00222,,WASHER,2,,,,,,,,,,,,,
15,1,,182901-33190,,COVER,1,,,,,,Z,,*,M/#10505,,,,,,,,,,,,,I
16,1,,182900-64860,,BOLT,2,,,,,,,,,,,,,
17,1,,953KM0-00222,,WASHER,2,,,,,,,,,,,,,
18,1,,182900-64870,,BOLT,1,,,,,,,,,,,,,
19,1,,953KM0-00222,,WASHER,1,,,,,,,,,,,,,
20,1,,182901-34630,,SEAL,1,,,,,,,,,,,,,
21,1,,953KM0-00602,,CAP,2,,,,,,,,,,,,,
22,1,,182901-50970,, "COVER ASS'Y",1,,,,,,W,,*,M/#10506,,,,,,,,,,,,,I
23,2,,182901-33190,,COVER,1,,,,,,W,,*,M/#10506,,,,,,,,,,,,,I
24,2,,182900-37420,,SEAL,1,,,,,,W,,*,M/#10506,,,,,,,,,,,,,I
25,2,,182901-50900,,SHEET,1,,,,,,W,,*,M/#10506,,,,,,,,,,,,,I

Fig. **146** 左サイドカバー (キャノピ)
LEFT SIDE COVER (CANOPY)



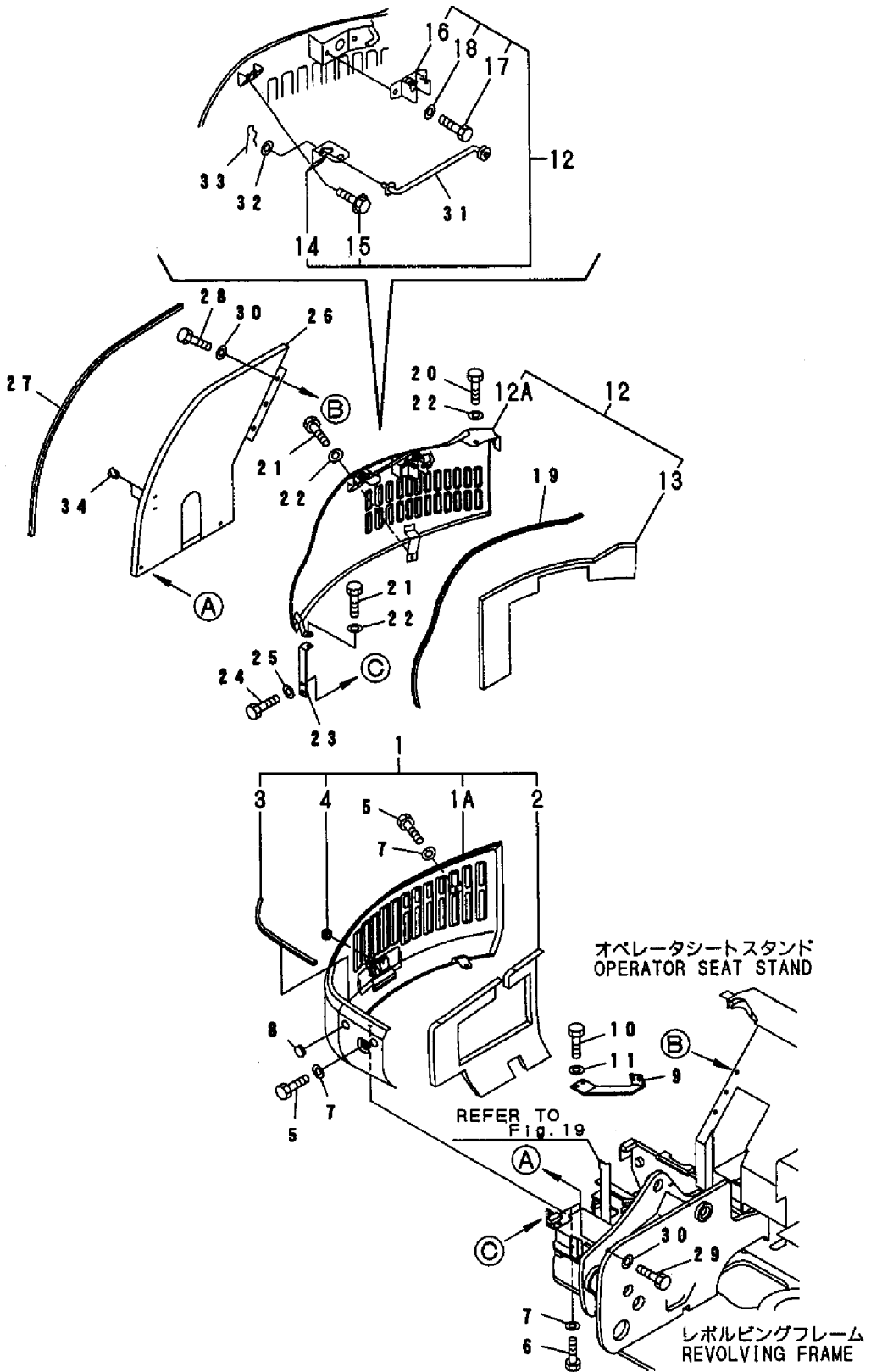
1,1,,182901-34660,,COVER,1,,,,,,,,,,,,,
2,3,,182901-40420,,STOPPER,1,,,,,,,,,,,,,
3,3,,182901-30280,,HINGE,2,,,,,,,,,,,,,
4,2,,182901-33340,,SHEET,1,,,,,,,,,,,,,
5,2,,953KM0-00564,,GROMMET,1,,,,,,,,,,,,,
6,2,,182901-34190,,SHEET,1,,,,,,,,,,,,,
7,1,,182900-64870,,BOLT,3,,,,,,,,,,,,,
8,1,,182900-82610,,BOLT,1,,,,,,,,,,,,,
9,1,,953KM0-00222,,WASHER,4,,,,,,,,,,,,,
10,1,,182901-34670,, "COVER ASS'Y",1,,,,,,,,,,,,,
11,2,,182901-34200,,SHEET,1,,,,,,,,,,,,,
12,1,,182900-64860,,BOLT,2,,,,,,,,,,,,,
13,1,,953KM0-00222,,WASHER,2,,,,,,,,,,,,,
14,1,,182900-64870,,BOLT,1,,,,,,,,,,,,,
15,1,,953KM0-00222,,WASHER,1,,,,,,,,,,,,,
16,1,,182901-34630,,SEAL,1,,,,,,,,,,,,,
17,1,,953KM0-00602,,CAP,2,,,,,,,,,,,,,

Fig. 147 左サイドカバー (キャビン)
LEFT SIDE COVER (CABIN)



1,1,,182901-34640,,COVER,1,,,,,,,,,,,,,
1A,2,,182901-33360,,COVER,1,,,,,,,,,,,,,
2,2,,182901-38670,,SHEET,1,,,,,,,,,,,,,
3,2,,182901-38820,,SEAL,1,,,,,,,,,,,,,
4,2,,953KM0-00564,,GROMMET,1,,,,,,,,,,,,,
5,1,,182900-64860,,BOLT,2,,,,,,,,,,,,,
6,1,,182900-68020,,BOLT,2,,,,,,,,,,,,,
7,1,,953KM0-00222,,WASHER,4,,,,,,,,,,,,,
8,1,,953KM0-00602,,CAP,2,,,,,,,,,,,,,
9,1,,182901-38660,,BRACKET,1,,,,,,,,,,,,,
10,1,,182900-64860,,BOLT,2,,,,,,,,,,,,,
11,1,,953KM0-00222,,WASHER,2,,,,,,,,,,,,,
12,1,,182901-34600,,COVER,1,,,,,,,,,,,,,
12A,2,,182901-34610,,COVER,1,,,,,,,,,,,,,
13,2,,182901-38790,,SHEET,1,,,,,,,,,,,,,
14,2,,182901-38710,,BRACKET,1,,,,,,,,,,,,,
15,2,,182900-04220,,BOLT,2,,,,,,,,,,,,,
16,2,,182901-23410,,LOCK,1,,,,,,,,,,,,,
17,2,,182900-67990,,BOLT,2,,,,,,,,,,,,,
18,2,,953KM0-00222,,WASHER,2,,,,,,,,,,,,,
19,1,,182901-38830,,SEAL,1,,,,,,,,,,,,,
20,1,,182900-68000,,BOLT,1,,,,,,,,,,,,,
21,1,,182900-64860,,BOLT,3,,,,,,,,,,,,,
22,1,,182900-27310,,WASHER,4,,,,,,,,,,,,,
23,1,,182901-33950,,BRACKET,1,,,,,,,,,,,,,
24,1,,182900-64860,,BOLT,2,,,,,,,,,,,,,
25,1,,953KM0-00222,,WASHER,2,,,,,,,,,,,,,
26,1,,182901-33170,,COVER,1,,,,,,,,,,,,,
27,1,,182901-38700,,SEAL,1,,,,,,,,,,,,,
28,1,,182900-64860,,BOLT,4,,,,,,,,,,,,,
29,1,,182900-64870,,BOLT,1,,,,,,,,,,,,,
30,1,,953KM0-00222,,WASHER,5,,,,,,,,,,,,,
31,1,,182901-38680,,ROD,1,,,,,,,,,,,,,
32,1,,953KM0-00221,,WASHER,1,,,,,,,,,,,,,
33,1,,22372-080000,, "SNAP PIN (JASO 8)",1,,,,,,,,,,,,,
34,1,,182901-29650,,PLUG,2,,,,,,,,,,,,,

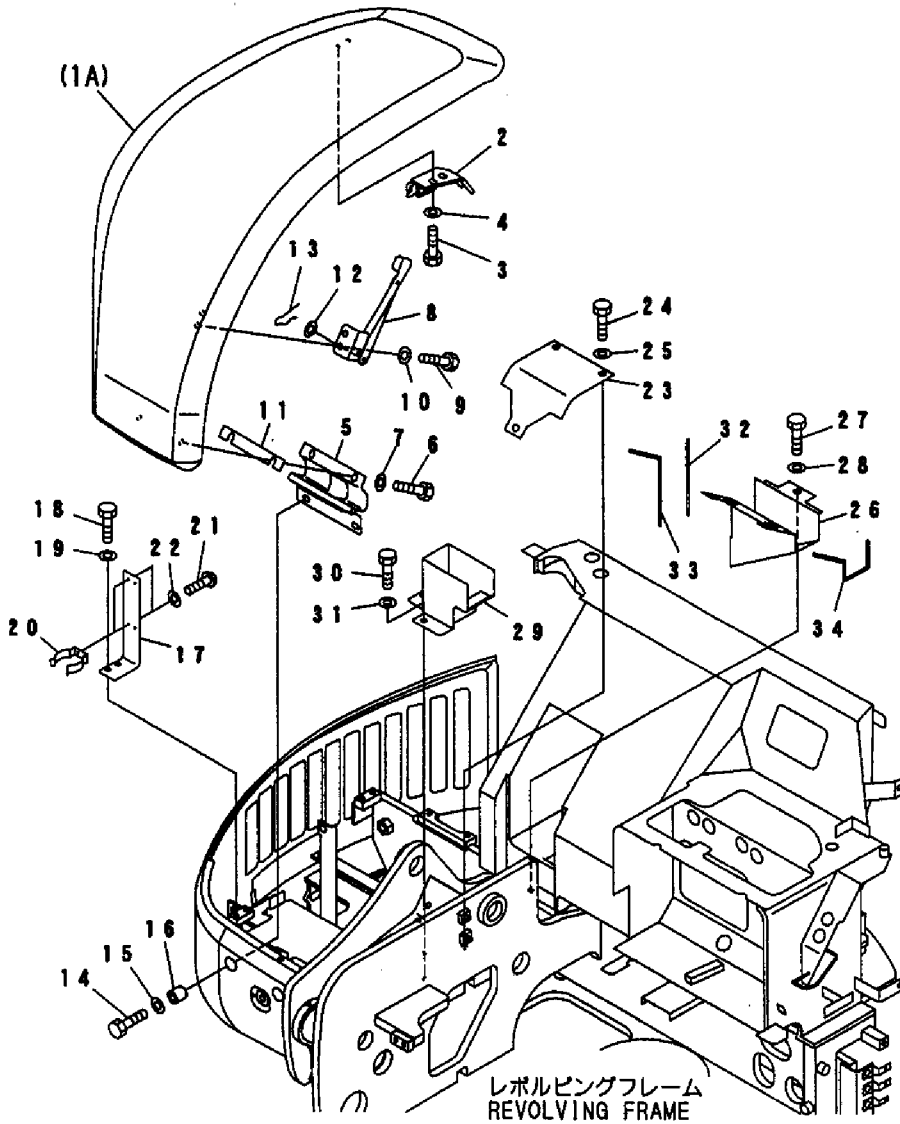
Fig. 148 右サイドカバー
RIGHT SIDE COVER



1,1,,182901-34730,, "COVER ASS'Y",1,,,,,,,,,,,,,,,,,,,,,
1A,2,,182901-34740,,COVER,1,,,,,,,,,,,,,,,,,,,,,
2,2,,182901-38720,,BRACKET,1,,,,,,,,,,,,,,,,,,,,,
3,2,,182900-68000,,BOLT,2,,,,,,,,,,,,,,,,,,,,,
4,2,,953KM0-00222,,WASHER,2,,,,,,,,,,,,,,,,,,,,,
5,2,,182901-38730,,HINGE,1,,,,,,,,,,,,,,,,,,,,,
6,2,,182900-68000,,BOLT,2,,,,,,,,,,,,,,,,,,,,,
7,2,,953KM0-00222,,WASHER,2,,,,,,,,,,,,,,,,,,,,,
8,2,,182901-23420,, "HINGE ASS'Y",1,,,,,,,,,,,,,,,,,,,,,
9,2,,182900-68000,,BOLT,2,,,,,,,,,,,,,,,,,,,,,
10,2,,953KM0-00222,,WASHER,2,,,,,,,,,,,,,,,,,,,,,
11,2,,182901-38760,,PLATE,2,,,,,,,,,,,,,,,,,,,,,
12,1,,953KM0-00221,,WASHER,1,,,,,,,,,,,,,,,,,,,,,
13,1,,22372-080000,, "SNAP PIN (JASO 8)",1,,,,,,,,,,,,,,,,,,,,,
14,1,,182900-68030,,BOLT,2,,,,,,,,,,,,,,,,,,,,,
15,1,,953KM0-00222,,WASHER,2,,,,,,,,,,,,,,,,,,,,,
16,1,,953KM0-01227,,SPACER,2,,,,,,,,,,,,,,,,,,,,,
17,1,,182901-38740,,BRACKET,1,,,,,,,,,,,,,,,,,,,,,
17-1,1,,182901-51590,,BRACKET,1,,,,,S,,*,M/#10506,,,,,,,,,,,,,I
18,1,,182900-68000,,BOLT,2,,,,,,,,,,,,,,,,,,,,,
19,1,,953KM0-00222,,WASHER,2,,,,,,,,,,,,,,,,,,,,,
20,1,,182900-25320,,CLAMP,2,,,,,,,,,,,,,,,,,,,,,
20-1,1,,182901-50390,,CLAMP,2,,,,,S,,*,M/#10506,,,,,,,,,,,,,I
21,1,,953KM0-00151,,SCREW,4,,,,,,,,,,,,,,,,,,,,,
21-1,1,,182901-50150,,SCREW,4,,,,,S,,*,M/#10506,,,,,,,,,,,,,I
22,1,,182900-14080,,WASHER,4,,,,,Z,,*,M/#10505,,,,,,,,,,,,,I
23,1,,182901-33210,,COVER,1,,,,,,,,,,,,,,,,,,,,,
24,1,,182900-64860,,BOLT,3,,,,,,,,,,,,,,,,,,,,,
25,1,,953KM0-00222,,WASHER,3,,,,,,,,,,,,,,,,,,,,,
26,1,,182901-33230,,COVER,1,,,,,,,,,,,,,,,,,,,,,
27,1,,182901-29000,,BOLT,3,,,,,,,,,,,,,,,,,,,,,
28,1,,182900-33900,,WASHER,3,,,,,,,,,,,,,,,,,,,,,
29,1,,182901-33240,,COVER,1,,,,,,,,,,,,,,,,,,,,,
30,1,,182900-64860,,BOLT,2,,,,,,,,,,,,,,,,,,,,,
31,1,,953KM0-00222,,WASHER,2,,,,,,,,,,,,,,,,,,,,,
32,1,,182901-33300,,SEAL,1,,,,,,,,,,,,,,,,,,,,,
33,1,,182901-33310,,SEAL,1,,,,,,,,,,,,,,,,,,,,,
34,1,,182901-33320,,SEAL,1,,,,,,,,,,,,,,,,,,,,,

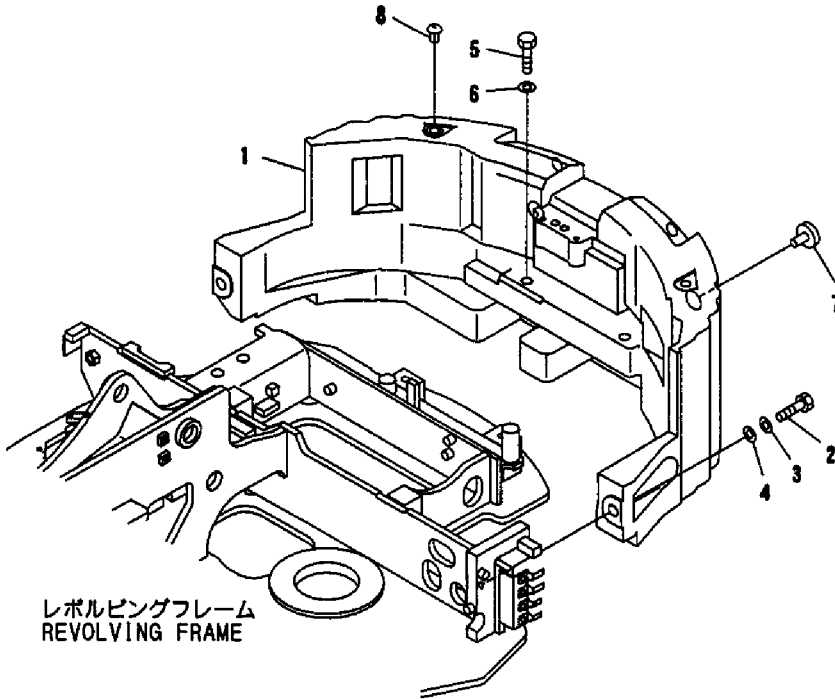
Fig. 149 フロントカバー FRONT COVER

見出しNo. 1は、見出しNo. (1A) から11を含みます。
1 inc. (1A) ~ 11



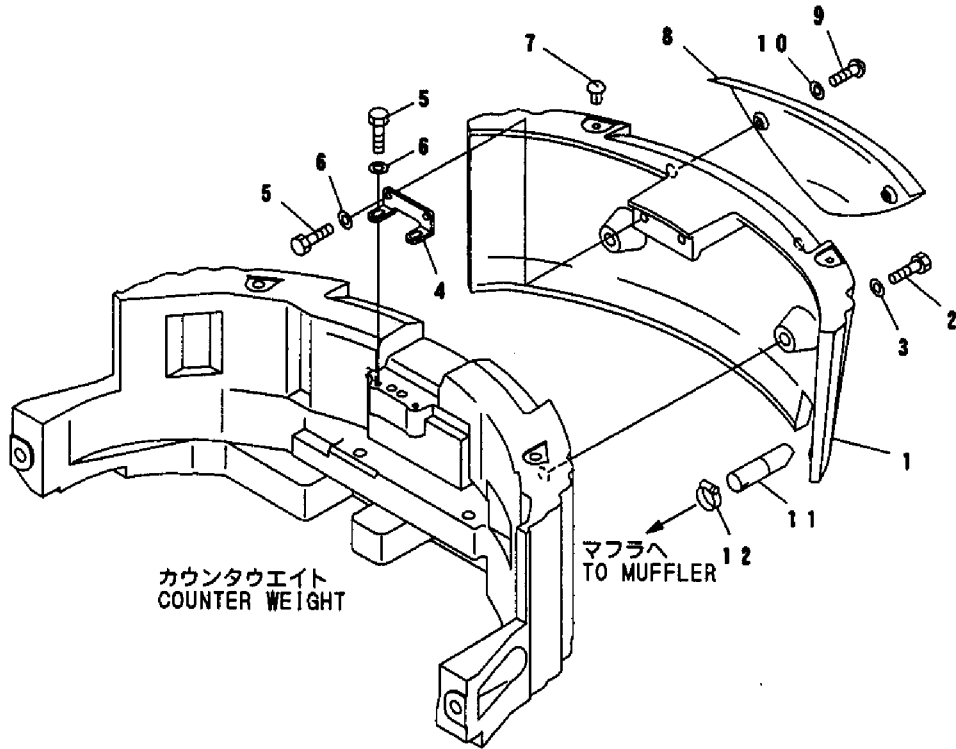
1,1,,182901-32780,, "COUNTER WEIGHT",1,,,,,,,,,,,,,
1-1,1,,182901-32770,, "COUNTER WEIGHT",1,,,,,,S,,*,M/#10501,,,,,,,,,,I
1-2,1,,182901-50640,, "COUNTER WEIGHT",1,,,,,,N,,*,M/#11001,,,,,,,,,,I
2,1,,182900-68100,, BOLT,2,,,,,,,,,,,,,
3,1,,953KM0-02602,, WASHER,2,,,,,,,,,,,,,
4,1,,953KM0-10814,, WASHER,2,,,,,,,,,,,,,
5,1,,182901-29130,, BOLT,2,,,,,,,,,,,,,
6,1,,953KM0-02602,, WASHER,2,,,,,,,,,,,,,
7,1,,182901-23340,, CAP,2,,,,,,,,,,,,,
8,1,,182901-38580,, CAP,2,,,,,,,,,,,,,

Fig. 150 カウンタウエイト
COUNTER WEIGHT



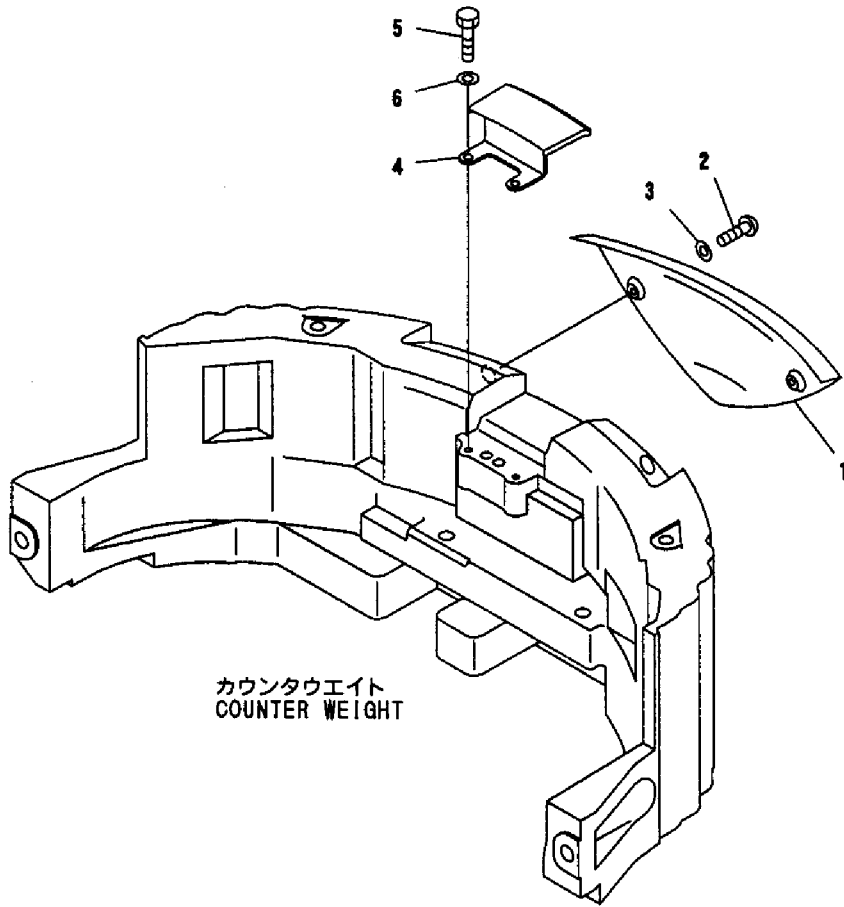
1,1,,182901-38560,,WEIGHT,1,,,,,,,,,,,,,
2,1,,182901-29130,,BOLT,2,,,,,,,,,,,,,
3,1,,953KM0-02602,,WASHER,2,,,,,,,,,,,,,
4,1,,182901-38600,,BRACKET,1,,,,,,,,,,,,,
5,1,,182900-64730,,BOLT,4,,,,,,,,,,,,,
6,1,,953KM0-00048,,WASHER,4,,,,,,,,,,,,,
7,1,,182901-39720,,CAP,2,,,,,,,,,,,,,
8,1,,182901-39690,,PLATE,1,,,,,,,,,,,,,
9,1,,953KM0-03901,,SCREW,2,,,,,,,,,,,,,
10,1,,953KM0-00213,,WASHER,2,,,,,,,,,,,,,
11,1,,182901-38640,,PIPE,1,,,,,,,,,,,,,
12,1,,23000-048000,, "CLAMP 48",1,,,,,,,,,,,,,

Fig. **151** カウンタウエイト (オプション)
COUNTER WEIGHT (OPTIONAL)



1,1,,182901-39690,,PLATE,1,,,,,,,,,,,,,
2,1,,953KM0-03901,,SCREW,2,,,,,,,,,,,,,
3,1,,953KM0-00213,,WASHER,2,,,,,,,,,,,,,
4,1,,182901-32810,,BRACKET,1,,,,,,,,,,,,,
5,1,,182900-64350,,BOLT,2,,,,,,,,,,,,,
6,1,,953KM0-00048,,WASHER,2,,,,,,,,,,,,,

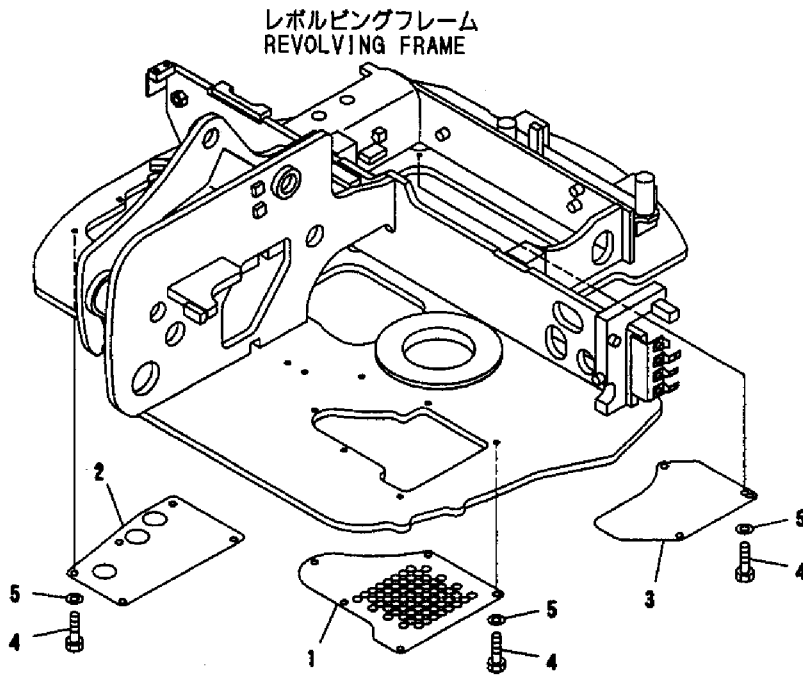
Fig. 152 カウンタウエイトカバー
COUNTER WEIGHT COVER



カウンタウエイト
COUNTER WEIGHT

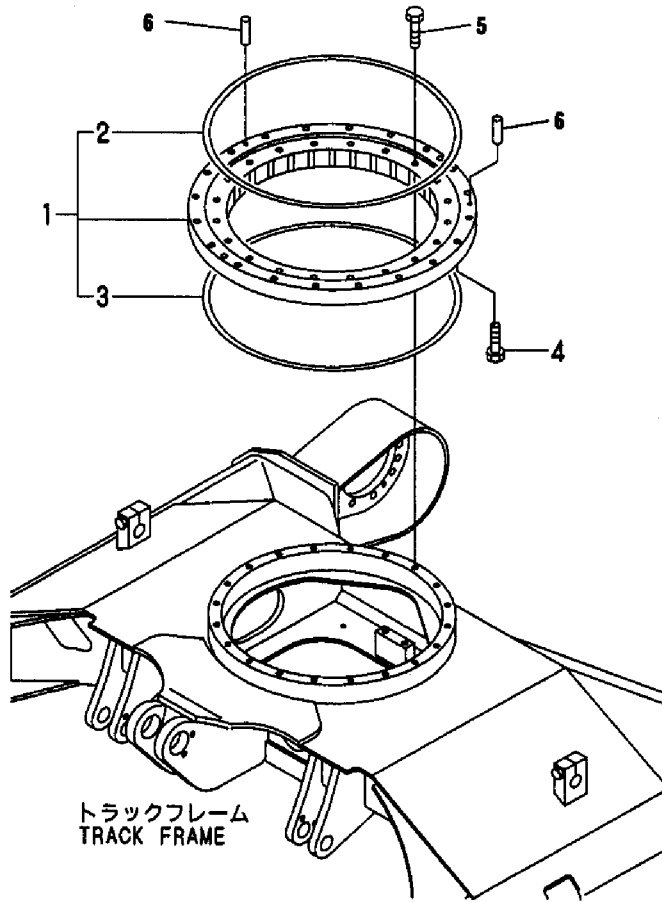
1,1,,182901-33270,,COVER,1,,,,,,,,,,,,,
2,1,,182901-33290,,COVER,1,,,,,,,,,,,,,
3,1,,182901-38630,,COVER,1,,,,,,,,,,,,,
4,1,,182900-64350,,BOLT,12,,,,,,,,,,,,,
5,1,,953KM0-00048,,WASHER,12,,,,,,,,,,,,,

Fig. 153 アンダーカバー
UNDER COVER



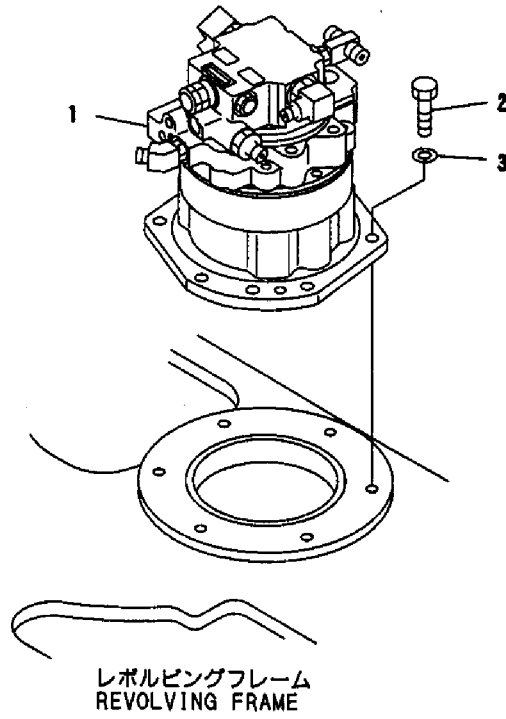
1,1,,182901-30370,,CIRCLE,1,,,,,,,,,,,,,
2,2,,182901-30380,,SEAL,1,,,,,,,,,,,,,
3,2,,182901-30390,,SEAL,1,,,,,,,,,,,,,
4,1,,182901-05790,,BOLT,20,,,,,,,,,,,,,
5,1,,182900-64460,,BOLT,20,,,,,,,,,,,,,
6,1,,953KM0-00232,, "RIN, DOWEL",2,,,,,,,,,,,,,

Fig. 154 旋回ベアリング
TURNING BEARING



1,1,,182901-32530,, "SWING MACHINERY A.",1,,,,,,,,1,,,,,,,,,
1-1,1,,182901-50610,, "SWING MACHINERY A.",1,,,,,,S,1,*M/#10530,,,,,,,,,I
2,1,,182900-73400,,BOLT,6,,,,,,,,,
3,1,,953KM0-00048,,WASHER,6,,,,,,,,,

Fig. **155** 旋回装置
TURNING EQUIP.

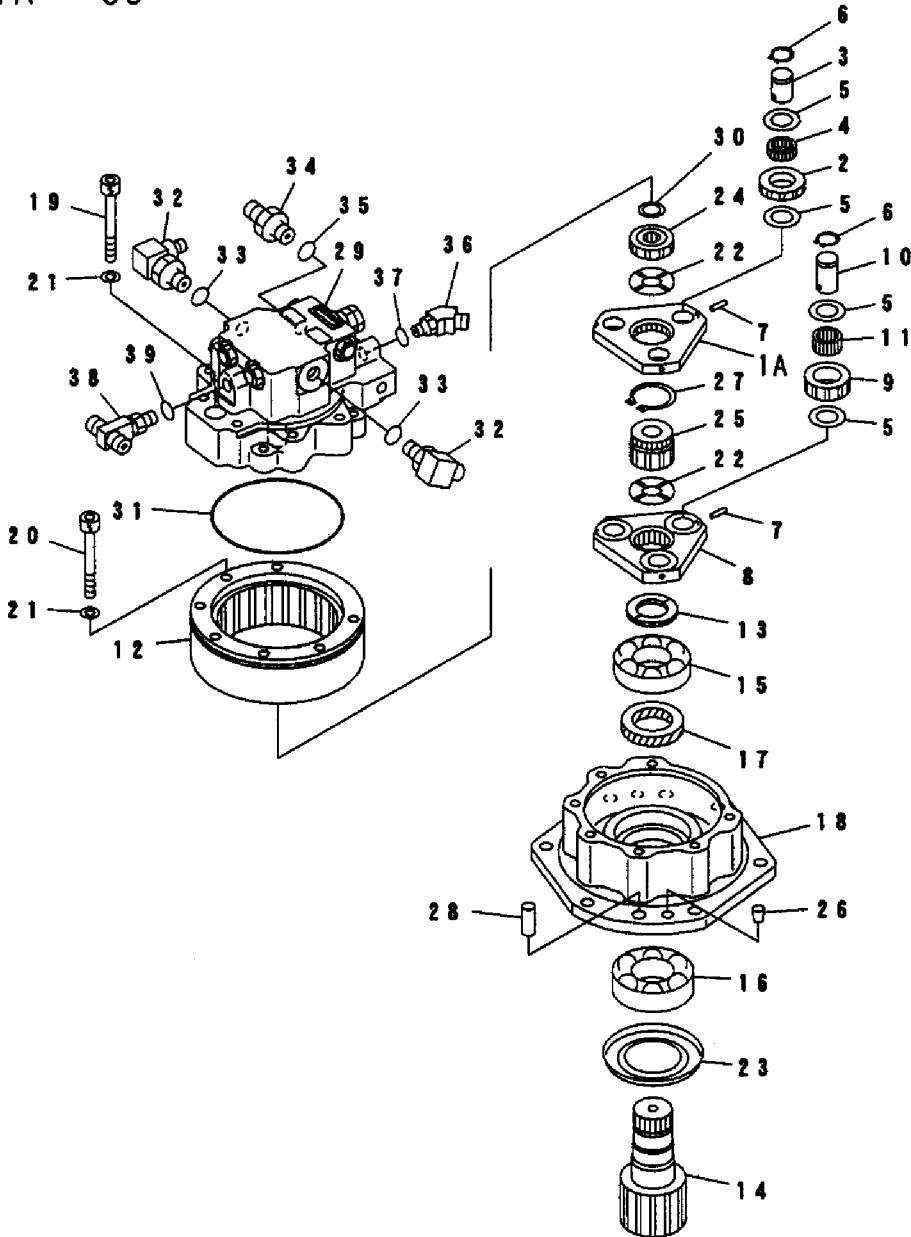


レボルピングフレーム
REVOLVING FRAME

1,1,,182901-32530,, "SWING MACHINERY A.",1,,,,,,,,,,,,,,,,,,,,,
1-1,1,,182901-50610,, "SWING MACHINERY A.",1,,,,,,S,,*,M/#10530,,,,,,,,,,,,,I
1A,2,,182900-75280,, CARRIER,1,,,,,,,,,,,,,,,,,,,,,
2,2,,182900-75290,, GEAR,3,,,,,,,,,,,,,,,,,,,,,
3,2,,182900-68440,, PIN,3,,,,,,,,,,,,,,,,,,,,,
4,2,,182900-68680,, BEARING,3,,,,,,,,,,,,,,,,,,,,,
5,2,,182900-15960,, WASHER,12,,,,,,,,,,,,,,,,,,,,,
6,2,,182900-15970,, RING,6,,,,,,,,,,,,,,,,,,,,,
7,2,,182900-15990,, PIN,6,,,,,,,,,,,,,,,,,,,,,
8,2,,182900-75300,, CARRIER,1,,,,,,,,,,,,,,,,,,,,,
9,2,,182900-75310,, GEAR,3,,,,,,,,,,,,,,,,,,,,,
10,2,,182900-75320,, PIN,3,,,,,,,,,,,,,,,,,,,,,
11,2,,182900-75330,, BEARING,3,,,,,,,,,,,,,,,,,,,,,
12,2,,182901-30410,, GEAR,1,,,,,,,,,,,,,,,,,,,,,
13,2,,182900-75350,, SPACER,1,,,,,,,,,,,,,,,,,,,,,
14,2,,182900-75360,, SHAFT,1,,,,,,,,,,,,,,,,,,,,,
15,2,,182900-75370,, BEARING,1,,,,,,,,,,,,,,,,,,,,,
16,2,,182900-75380,, BEARING,1,,,,,,,,,,,,,,,,,,,,,
17,2,,182900-75390,, SEAL,1,,,,,,,,,,,,,,,,,,,,,
18,2,,182901-30420,, CASE,1,,,,,,,,,,,,,,,,,,,,,
19,2,,182900-75410,, BOLT,5,,,,,,,,,,,,,,,,,,,,,
20,2,,182900-75420,, BOLT,2,,,,,,,,,,,,,,,,,,,,,
21,2,,953KM0-00225,, WASHER,7,,,,,,,,,,,,,,,,,,,,,
22,2,,182900-75430,, "WASHER, THRUST",2,,,,,,,,,,,,,,,,,,,,,
23,2,,182900-75440,, SEAL,1,,,,,,,,,,,,,,,,,,,,,
24,2,,182900-75450,, GEAR,1,,,,,,,,,,,,,,,,,,,,,
25,2,,182900-75460,, GEAR,1,,,,,,,,,,,,,,,,,,,,,
26,2,,182900-14230,, PLUG,2,,,,,,,,,,,,,,,,,,,,,
27,2,,182900-75470,, "RING, SNAP",1,,,,,,,,,,,,,,,,,,,,,
28,2,,953KM0-00232,, "RIN, DOWEL",2,,,,,,,,,,,,,,,,,,,,,
29,2,,182901-41470,, "MOTOR ASS'Y",1,,,,,,1,,,,,,,,,,,,,
29-1,2,,182901-51790,, "MOTOR ASS'Y",1,,,,,,S,,*,M/#10530,,,,,,,,,,,,,I
30,2,,182900-68450,, RING,1,,,,,,,,,,,,,,,,,,,,,
31,2,,182901-29600,, O-RING,1,,,,,,,,,,,,,,,,,,,,,
32,2,,953KM0-00483,, ELBOW,2,,,,,,,,,,,,,,,,,,,,,
33,2,,953KM0-00389,, O-RING,2,,,,,,,,,,,,,,,,,,,,,
34,2,,182900-14310,, UNION,1,,,,,,,,,,,,,,,,,,,,,
35,2,,953KM0-00389,, O-RING,1,,,,,,,,,,,,,,,,,,,,,
36,2,,953KM0-00485,, ELBOW,1,,,,,,,,,,,,,,,,,,,,,
37,2,,953KM0-00388,, O-RING,1,,,,,,,,,,,,,,,,,,,,,
38,2,,182901-30830,, TEE,1,,,,,,,,,,,,,,,,,,,,,
39,2,,953KM0-00388,, O-RING,1,,,,,,,,,,,,,,,,,,,,,

Fig. 156 旋回装置 (インナパーツ) TURNING EQUIP. (INNER PART)

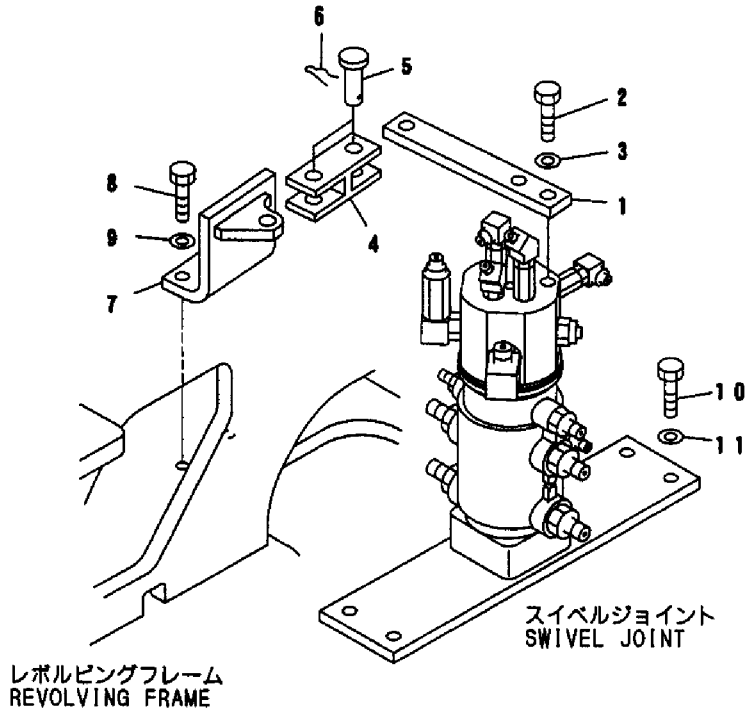
見出しNo. 1は、見出しNo. 1Aから39を含みます。
1 inc. 1A ~ 39



1,1,,182901-40780,, "SWIVEL JOINT",1,,,,,,,,,1,,,,,,,,,,,,,
2,1,,182900-68400,, NIPPLE,2,,,,,,,,,,,,,,,,,,,,,
3,1,,953KM0-00389,, O-RING,2,,,,,,,,,,,,,,,,,,,,,
4,1,,182900-68400,, NIPPLE,2,,,,,,,,,,,,,,,,,,,,,
5,1,,953KM0-00389,, O-RING,2,,,,,,,,,,,,,,,,,,,,,
6,1,,182900-27480,, TEE,1,,,,,,,,,,,,,,,,,,,,,
7,1,,953KM0-00388,, O-RING,1,,,,,,,,,,,,,,,,,,,,,
8,1,,182901-31140,, ELBOW,1,,,,,,,,,,,,,,,,,,,,,
9,1,,953KM0-00051,, O-RING,1,,,,,,,,,,,,,,,,,,,,,
10,1,,182900-27470,, NIPPLE,2,,,,,,,,,,,,,,,,,,,,,
11,1,,953KM0-00388,, O-RING,2,,,,,,,,,,,,,,,,,,,,,
12,1,,182900-35590,, UNION,2,,,,,,,,,,,,,,,,,,,,,
13,1,,182901-29740,, ELBOW,2,,,,,,,,,,,,,,,,,,,,,
14,1,,182901-30840,, NIPPLE,1,,,,,,,,,,,,,,,,,,,,,
15,1,,953KM0-00051,, O-RING,4,,,,,,,,,,,,,,,,,,,,,
16,1,,182901-31150,, ADAPTER,3,,,,,,,,,,,,,,,,,,,,,
17,1,,182900-27230,, ELBOW,2,,,,,,,,,,,,,,,,,,,,,
18,1,,182901-40590,, ELBOW,2,,,,,,,,,,,,,,,,,,,,,
19,1,,953KM0-00388,, O-RING,7,,,,,,,,,,,,,,,,,,,,,

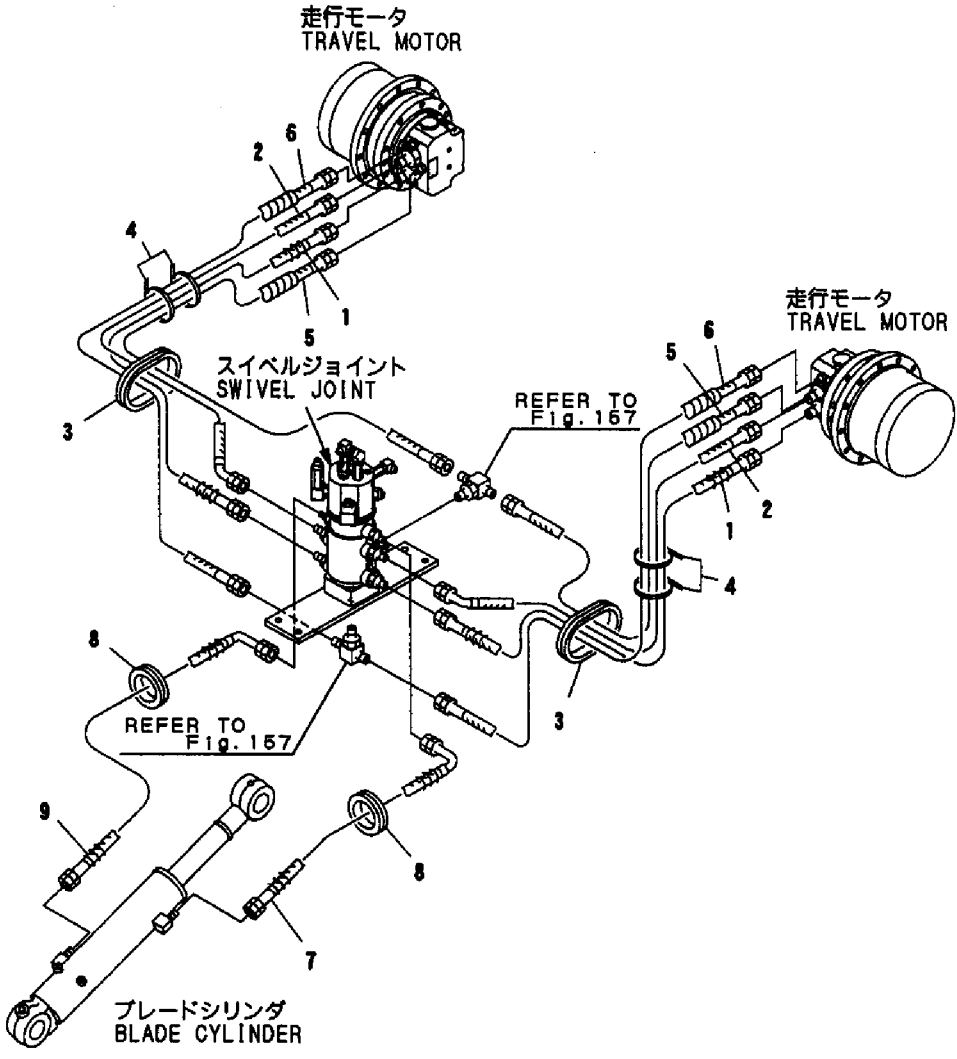
1,1,,182901-40440,,PLATE,1,,,,,,,,,,,,,
2,1,,182900-04140,,BOLT,2,,,,,,,,,,,,,
3,1,,953KM0-00223,,WASHER,2,,,,,,,,,,,,,
4,1,,182901-34870,,YOKE,1,,,,,,,,,,,,,
5,1,,182901-29480,,PIN,2,,,,,,,,,,,,,
6,1,,22372-160000,, "SNAP PIN 16" ,2,,,,,,,,,,,,,
7,1,,182901-34880,,BRACKET,1,,,,,,,,,,,,,
8,1,,182900-64730,,BOLT,2,,,,,,,,,,,,,
9,1,,953KM0-00048,,WASHER,2,,,,,,,,,,,,,
10,1,,182900-64730,,BOLT,4,,,,,,,,,,,,,
11,1,,953KM0-00048,,WASHER,4,,,,,,,,,,,,,

Fig. **158** スイベルジョイントマウント
SWIVEL JOINT MOUNT



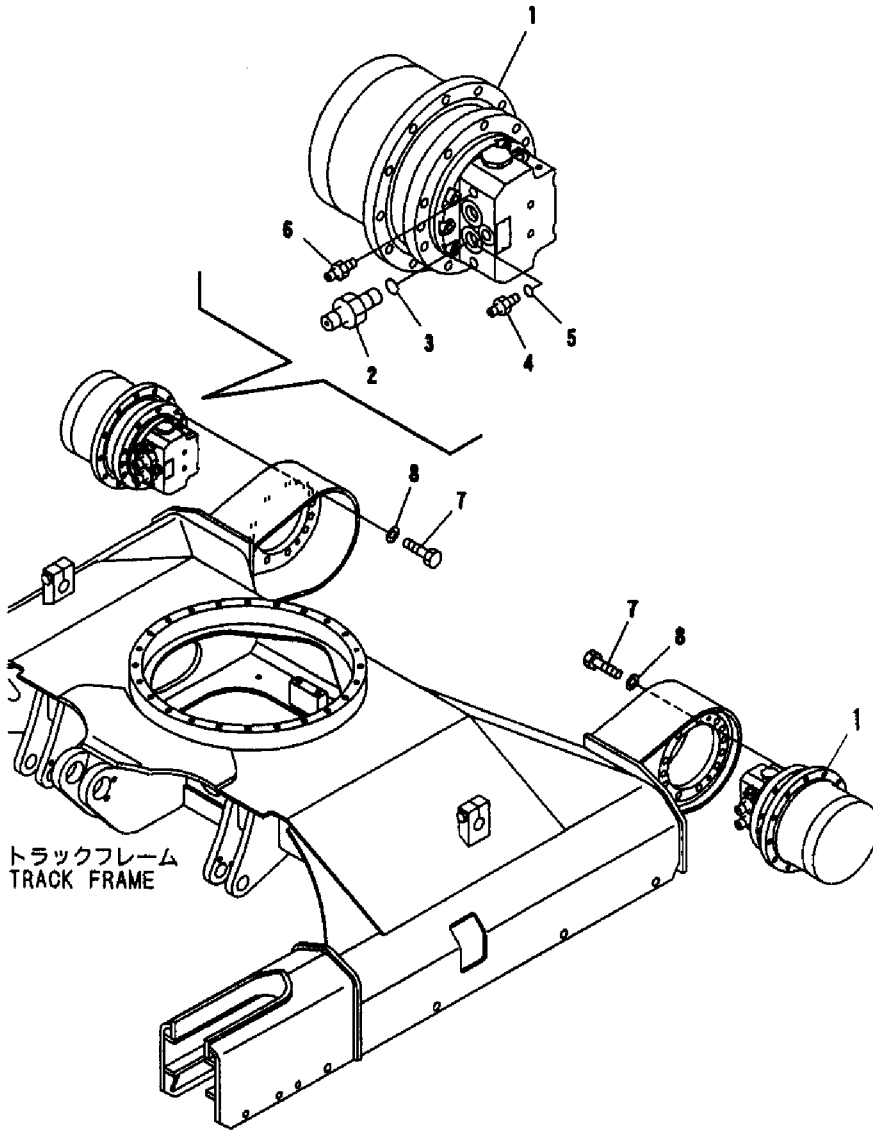
1,1,,182901-30900,,HOSE,2,,,,,,,,,,,,,
2,1,,182901-39120,,HOSE,2,,,,,,,,,,,,,
3,1,,182900-26500,,GROMMET,2,,,,,,,,,,,,,
4,1,,953KM0-00550,,BAND,4,,,,,,,,,,,,,
5,1,,182901-39310,, "HOSE ASS'Y",2,,,,,,,,,,,,,
6,1,,182901-39320,, "HOSE ASS'Y",2,,,,,,,,,,,,,
7,1,,182901-39220,, "HOSE, 800MM",1,,,,,,,,,,,,,
8,1,,182900-27000,,GROMMET,2,,,,,,,,,,,,,
9,1,,182901-39230,, "HOSE, 1000MM",1,,,,,,,,,,,,,

Fig. 159 油圧配管 (走行モータ)
HYD. OIL PIPING (TRAVEL MOTOR)



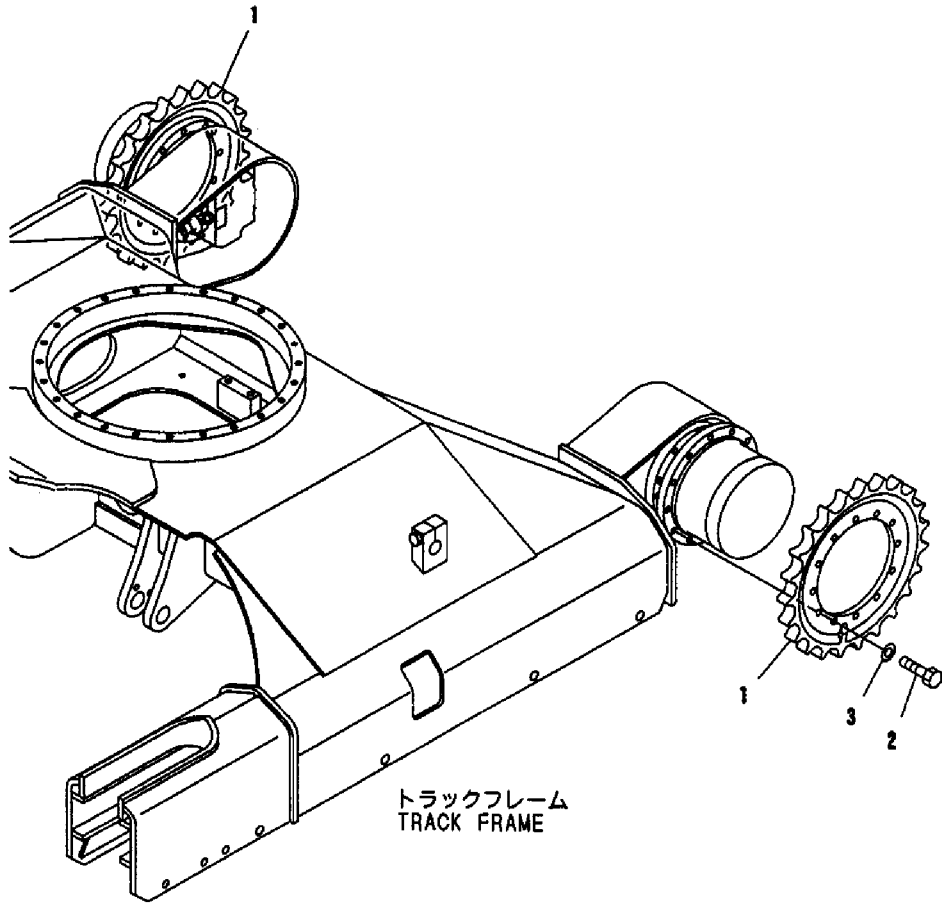
1,1,,182901-38980,, "TRAVEL MOTOR ASSY",2,,,,,,,,1,,,,,,,,,
2,1,,182900-68400,, NIPPLE,4,,,,,,,,,
3,1,,953KM0-00389,, O-RING,4,,,,,,,,,
4,1,,182900-34300,, UNION,2,,,,,,,,,
5,1,,182900-14190,, O-RING,2,,,,,,,,,
6,1,,182901-29760,, CONNECTOR,2,,,,,,,,,
7,1,,182900-73400,, BOLT,24,,,,,,,,,
8,1,,953KM0-00048,, WASHER,24,,,,,,,,,

Fig. 160 走行モータ
TRAVEL MOTOR



1,1,,182901-30440,,SPROCKET,2,,,,,,,,,,,,,
2,1,,182900-73400,,BOLT,24,,,,,,,,,,,,,
3,1,,953KM0-00048,,WASHER,24,,,,,,,,,,,,,

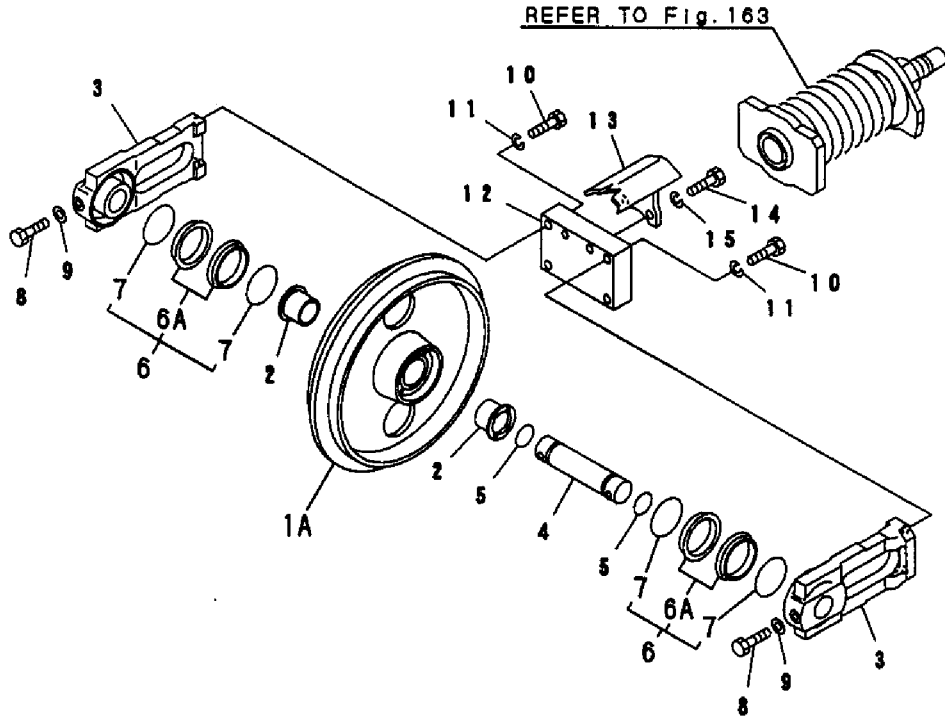
Fig. 161 スプロケット
SPROCKET



1,1,,182901-38360,, "IDLER ASS'Y",2,,,,,,,,,,,,,,,,,,,,,
1A,2,,182900-13180,, IDLER,2,,,,,,,,,,,,,,,,,,,,,
2,2,,182900-26250,, BUSHING,4,,,,,,,,,,,,,,,,,,,,,
3,2,,182900-25620,, SUPPORT,4,,,,,,,,,,,,,,,,,,,,,
4,2,,953KM0-03014,, SHAFT,2,,,,,,,,,,,,,,,,,,,,,
5,2,,24311-000280,, "O-RING 1A P-28.0",4,,,,,,,,,,,,,,,,,,,,,
6,2,,953KM0-04024,, "FLOATING SEAL ASSY.",4,,,,,,,,,,,,,,,,,,,,,
6A,3,,953KM0-04025,, "RING ASSY,SEAL",4,,,,,,,,,,,,,,,,,,,,,
7,3,,953KM0-04026,, "O-RING ASSY",4,,,,,,,,,,,,,,,,,,,,,
8,2,,953KM0-04027,, BOLT,4,,,,,,,,,,,,,,,,,,,,,
9,2,,953KM0-00222,, WASHER,4,,,,,,,,,,,,,,,,,,,,,
10,2,,182900-64460,, BOLT,8,,,,,,,,,,,,,,,,,,,,,
11,2,,953KM0-01871,, "SPRING WASHER",8,,,,,,,,,,,,,,,,,,,,,
12,2,,182900-69030,, PLATE,2,,,,,,,,,,,,,,,,,,,,,
13,2,,182901-30500,, COVER,2,,,,,,,,,,,,,,,,,,,,,
14,2,,182900-64730,, BOLT,4,,,,,,,,,,,,,,,,,,,,,
15,2,,953KM0-00048,, WASHER,4,,,,,,,,,,,,,,,,,,,,,

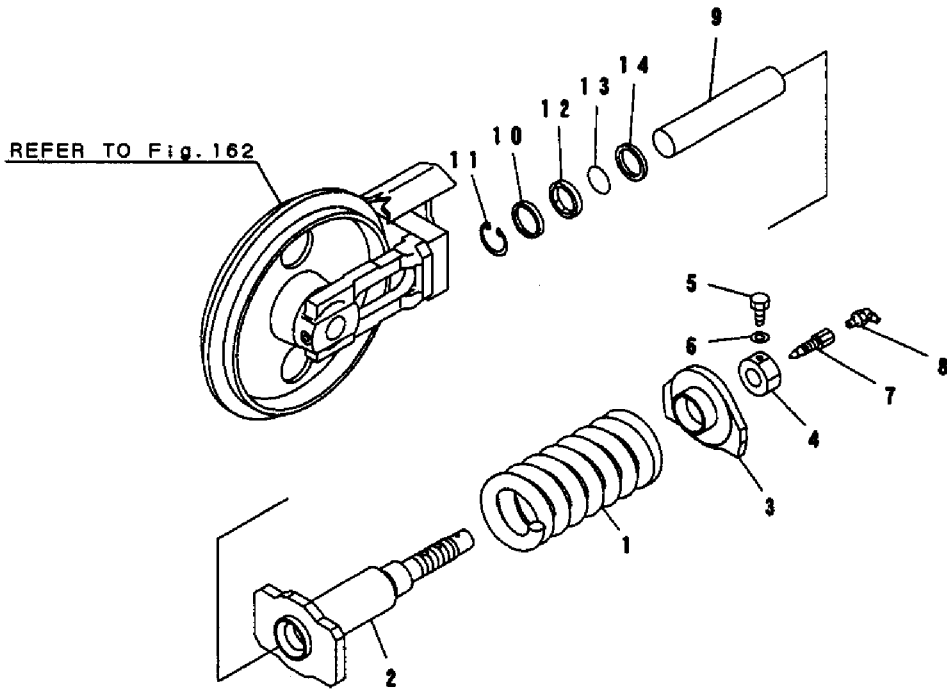
Fig. 162 フロントアイドラ FRONT IDLER

見出しNo. 1は、見出しNo. 1Aから15を含みます。
inc. 1A ~ 15



1,1,,182901-30490,,SPRING,2,,,,,,,,,,,,,
2,1,,182901-38410,,CYLINDER,2,,,,,,,,,,,,,
3,1,,182901-30510,,BRACKET,2,,,,,,,,,,,,,
4,1,,182901-05950,,NUT,2,,,,,,,,,,,,,
5,1,,182901-05960,,BOLT,2,,,,,,,,,,,,,
6,1,,953KM0-00221,,WASHER,2,,,,,,,,,,,,,
7,1,,953KM0-02935,,VALVE,2,,,,,,,,,,,,,
8,1,,24761-050000,, "NIPPLE C,GREASE",2,,,,,,,,,,,,,
9,1,,182900-69040,,ROD,2,,,,,,,,,,,,,
10,1,,953KM0-04032,,SPACER,2,,,,,,,,,,,,,
11,1,,22252-000520,, "CIRCLIP 52",2,,,,,,,,,,,,,
12,1,,953KM0-04031,, "SEAL,DUST",2,,,,,,,,,,,,,
13,1,,24315-000400,, "O-RING P40",2,,,,,,,,,,,,,
14,1,,953KM0-04030,, "RING,BACK UP",1,,,,,,,,,,,,,

Fig. **163** アイドラクション
IDLER CUSHION

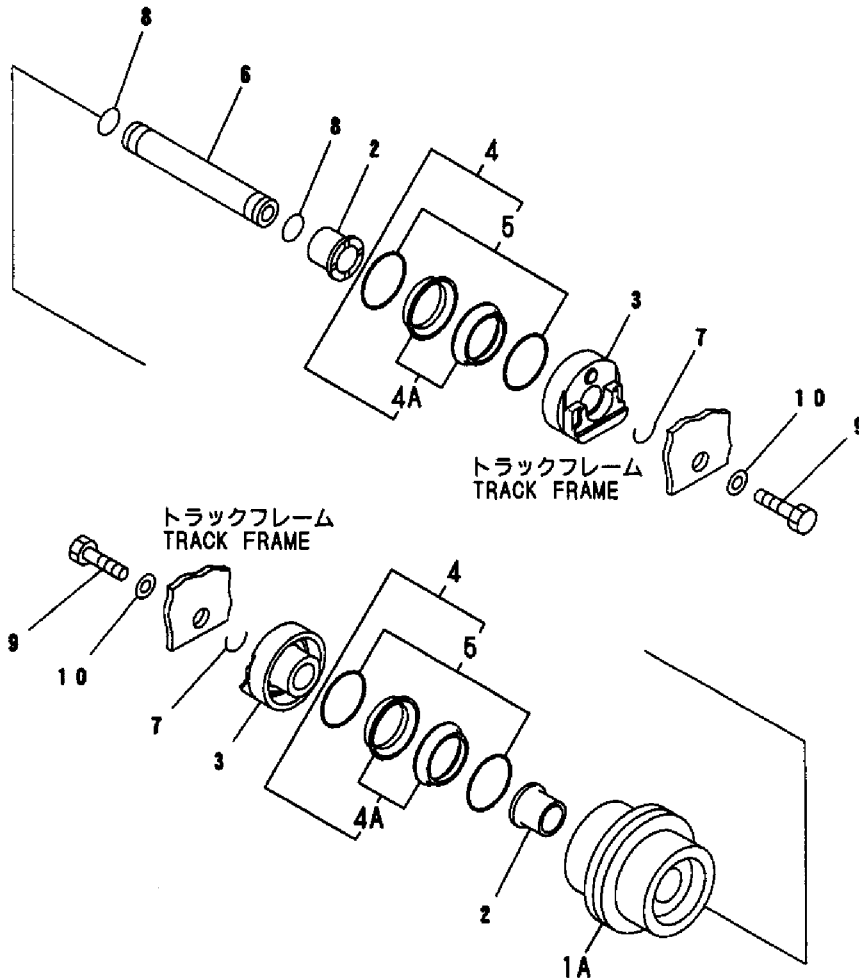


1,1,,182901-30450,, "TRACK ROLLER ASS'Y",8,,,,,,,,,,,,,,,,,,,,,
1A,2,,182901-30530,,ROLLER,8,,,,,,,,,,,,,,,,,,,,,
2,2,,953KM0-02667,,BUSHING,16,,,,,,,,,,,,,,,,,,,,,
3,2,,182900-25590,,COLLAR,16,,,,,,,,,,,,,,,,,,,,,
4,2,,953KM0-04308,, "FLOATING SEAL ASSY",16,,,,,,,,,,,,,,,,,,,,,
4A,3,,953KM0-02107,, "SEAL RING ASSY",16,,,,,,,,,,,,,,,,,,,,,
5,3,,953KM0-02108,, "O-RING ASSY",16,,,,,,,,,,,,,,,,,,,,,
6,2,,953KM0-02666,,SHAFT,8,,,,,,,,,,,,,,,,,,,,,
7,2,,953KM0-02135,,RING,16,,,,,,,,,,,,,,,,,,,,,
8,2,,24311-000210,, "O-RING 1A P-21.0",16,,,,,,,,,,,,,,,,,,,,,
9,1,,182900-04140,,BOLT,16,,,,,,,,,,,,,,,,,,,,,
10,1,,953KM0-00223,,WASHER,16,,,,,,,,,,,,,,,,,,,,,

Fig. 164

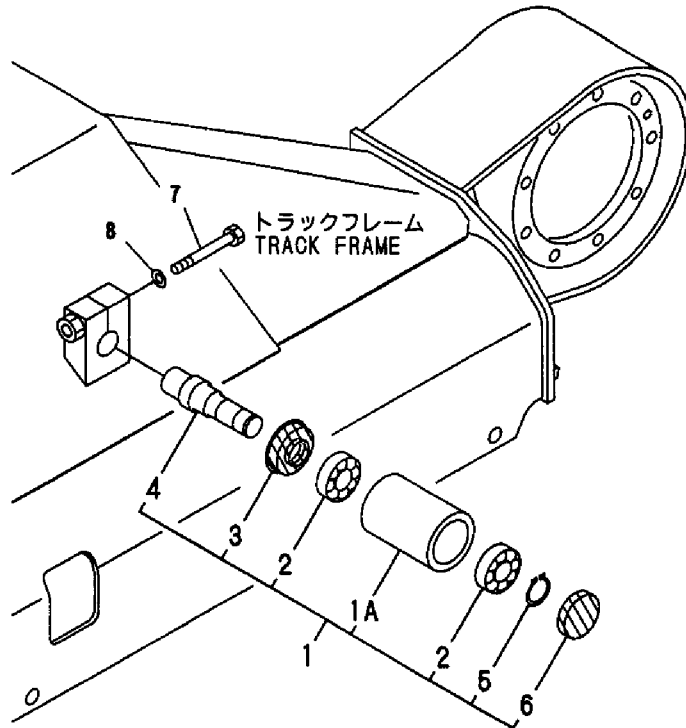
トラックローラ TRACK ROLLER

見出しNo. 1は、見出しNo. 1Aから8を含みます。
inc. 1A ~ 8



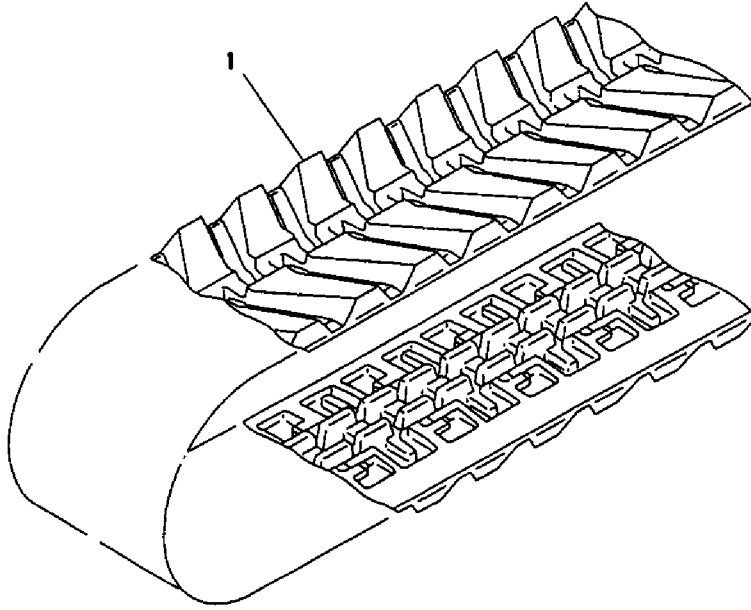
1,1,,182901-30710,, "CARRIER ROLLER ASS'Y",2,,,,,,,,,,,,,
1A,2,,182901-32120,,ROLLER,2,,,,,,,,,,,,,
2,2,,182900-14150,,BEARING,4,,,,,,,,,,,,,
3,2,,182900-72640,,SEAL,2,,,,,,,,,,,,,
4,2,,182900-69050,,SHAFT,2,,,,,,,,,,,,,
5,2,,22242-000250,, "CIRCLIP 25S",2,,,,,,,,,,,,,
6,2,,182900-72650,,CAP,2,,,,,,,,,,,,,
7,1,,182900-68090,,BOLT,2,,,,,,,,,,,,,
8,1,,953KM0-00224,,WASHER,2,,,,,,,,,,,,,

Fig. 165 キャリアローラ
CARRIER ROLLER



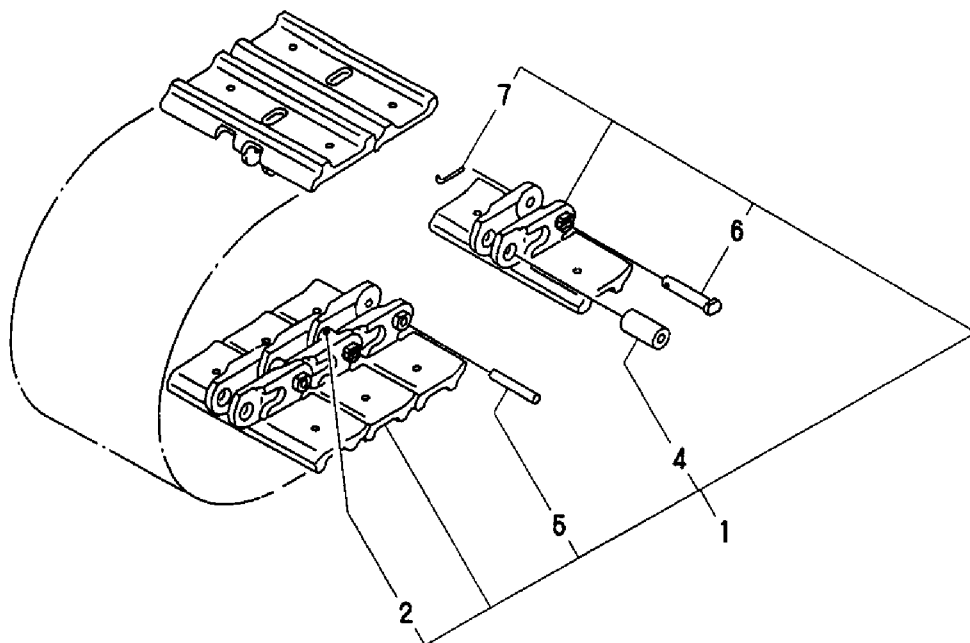
1,1,,182901-31600,, "RUBBER CRAWLER",2,,,,,,,,,,,,,,,,,,,,,

Fig. **166** ゴムクローラ (幅300mm)
RUBBER CRAWLER (WIDTH300mm)



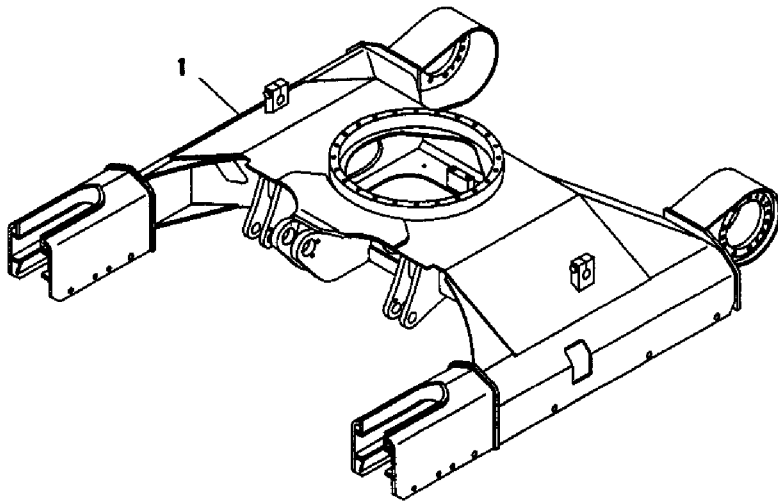
1,1,,182901-30550,, "STEEL CRAWLER",2,,,,,,,,,,,,,,,,,,,,,
2,2,,953KM0-03158,, BUSH,84,,,,,,,,,,,,,,,,,,,,,
4,2,,953KM0-03158,, BUSH,2,,,,,,,,,,,,,,,,,,,,,
5,2,,953KM0-03156,, "PIN, REGULAR",84,,,,,,,,,,,,,,,,,,,,,
6,2,,953KM0-03157,, "PIN, MASTER",2,,,,,,,,,,,,,,,,,,,,,
7,2,,953KM0-03159,, "PIN, LOCK",2,,,,,,,,,,,,,,,,,,,,,

Fig. **167** 鉄クローラ (幅300mm)
STEEL CRAWLER (WIDTH 300mm)



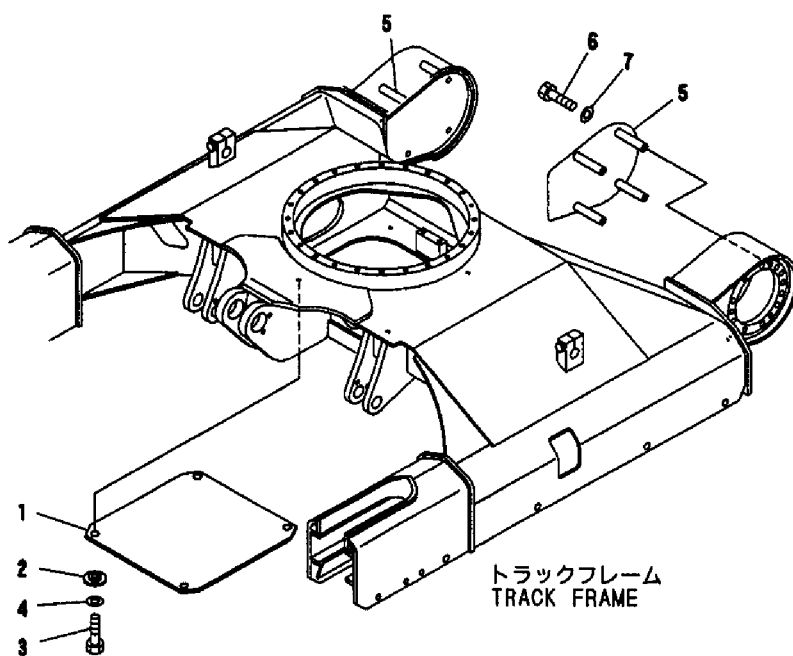
1,1,,182901-38380,, "TRACK FRAME",1,,,,,,,,,,,,,,,,,,,,,

Fig. **168** **トラックフレーム**
TRACK FRAME



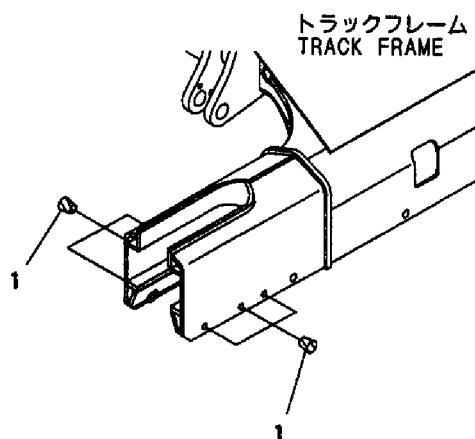
1,1,,182900-68820,,COVER,1,,,,,,,,,,,,,
2,1,,182900-25140,,COLLAR,4,,,,,,,,,,,,,
3,1,,182900-68010,,BOLT,4,,,,,,,,,,,,,
4,1,,953KM0-00222,,WASHER,4,,,,,,,,,,,,,
5,1,,182901-38390,,COVER,2,,,,,,,,,,,,,
6,1,,182901-29110,,BOLT,8,,,,,,,,,,,,,
7,1,,953KM0-00222,,WASHER,8,,,,,,,,,,,,,

Fig. 169 **トラックフレームカバー**
TRACK FRAME COVER



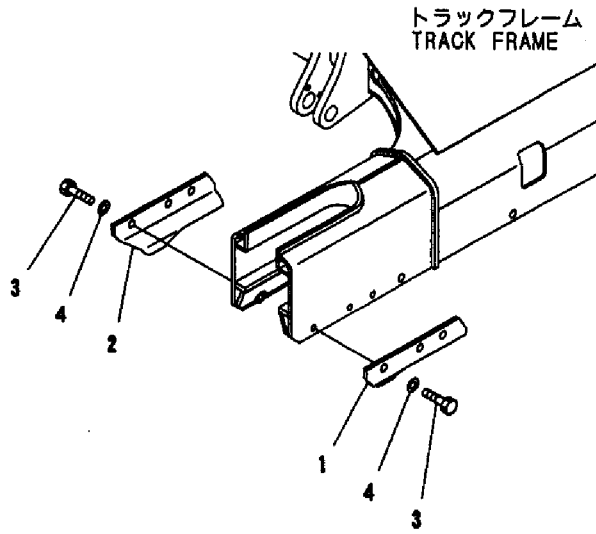
1,1,,182900-24700,,PLUG,12,,,,,,,,,,,,,,,,,,,,,

Fig. **170** **トラックガード (ゴムクローラ)**
TRACK GUARD (RUBBER CRAWLER)



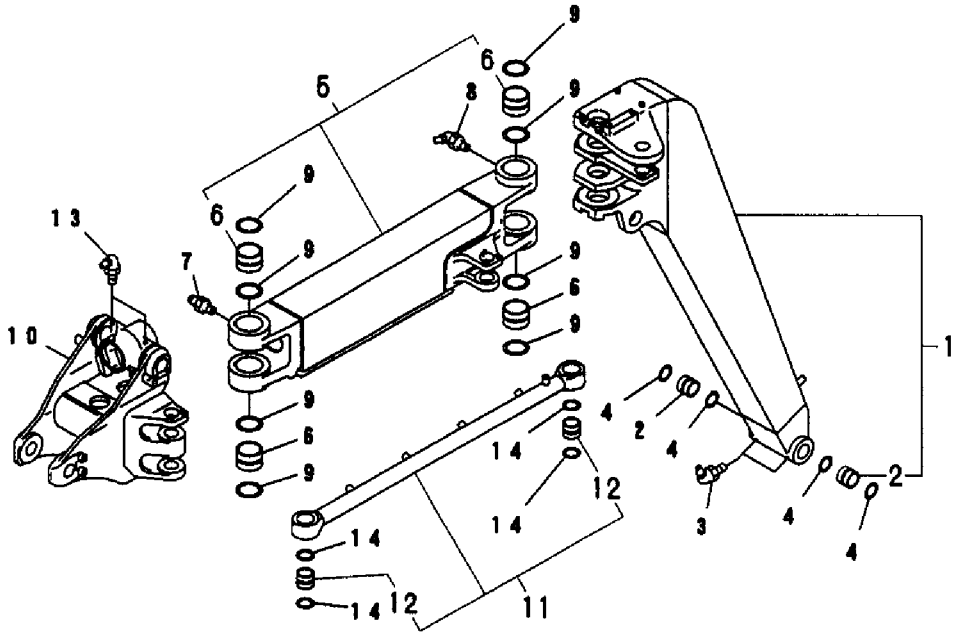
1,1,,182901-30480,,GUARD,2,,,,,,,,,,,,,,,,,,,,,
2,1,,182901-30470,,GUARD,2,,,,,,,,,,,,,,,,,,,,,
3,1,,182900-04140,,BOLT,12,,,,,,,,,,,,,,,,,,,,,
4,1,,953KM0-00223,,WASHER,12,,,,,,,,,,,,,,,,,,,,,

Fig. 171 **トラックガード (鉄クローラ)**
TRACK GUARD (STEEL CRAWLER)



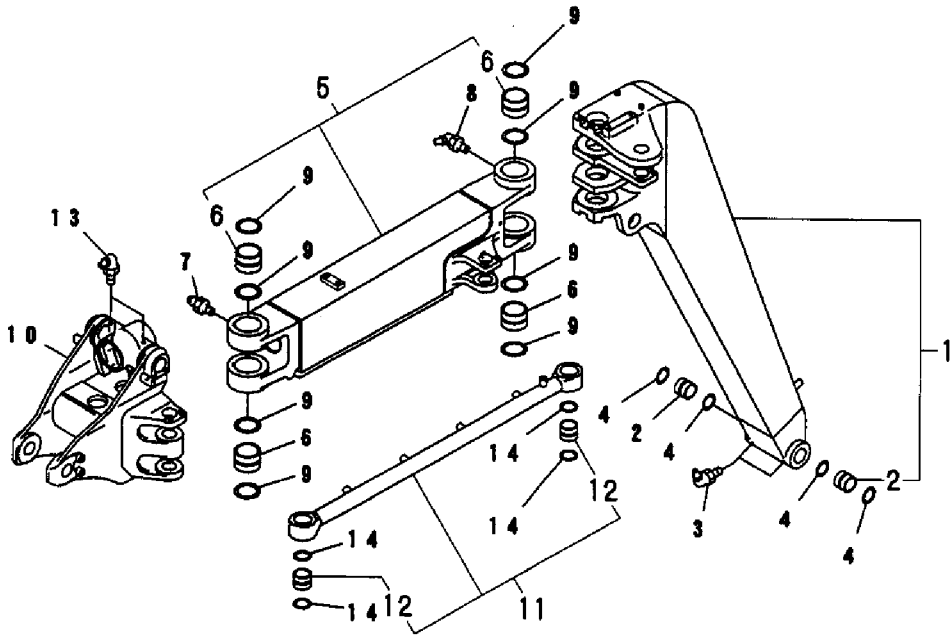
1,1,,182901-36060,, "BOOM ASS'Y",1,,,,,,,,,,,,,,,,,,,,,
2,2,,182900-68460,, BUSHING,2,,,,,,,,,,,,,,,,,,,,,
3,1,,24761-040000,, "NIPPLE B,GREASE",2,,,,,,,,,,,,,,,,,,,,,
4,1,,953KM0-00451,, "SEAL, DUST",4,,,,,,,,,,,,,,,,,,,,,
5,1,,182901-36070,, "BOOM ASS'Y",1,,,,,,,,,,,,,,,,,,,,,
6,2,,182901-36200,, BUSHING,4,,,,,,,,,,,,,,,,,,,,,
7,1,,24761-020000,, "NIPPLE PT1/8,GREASE",2,,,,,,,,,,,,,,,,,,,,,
8,1,,24761-040000,, "NIPPLE B,GREASE",2,,,,,,,,,,,,,,,,,,,,,
9,1,,182900-24790,, SEAL,8,,,,,,,,,,,,,,,,,,,,,
10,1,,182901-36100,, BRACKET,1,,,,,,,,,,,,,,,,,,,,,
11,1,,182901-36080,, "LINK ASS'Y",1,,,,,,,,,,,,,,,,,,,,,
12,2,,182901-36260,, BUSHING,2,,,,,,,,,,,,,,,,,,,,,
13,1,,24761-050000,, "NIPPLE C,GREASE",2,,,,,,,,,,,,,,,,,,,,,
14,1,,953KM0-00451,, "SEAL, DUST",4,,,,,,,,,,,,,,,,,,,,,

Fig. **172** 1ST, 2NDブーム&3RDブラケット
 1ST, 2ND BOOM & 3RD BRACKET



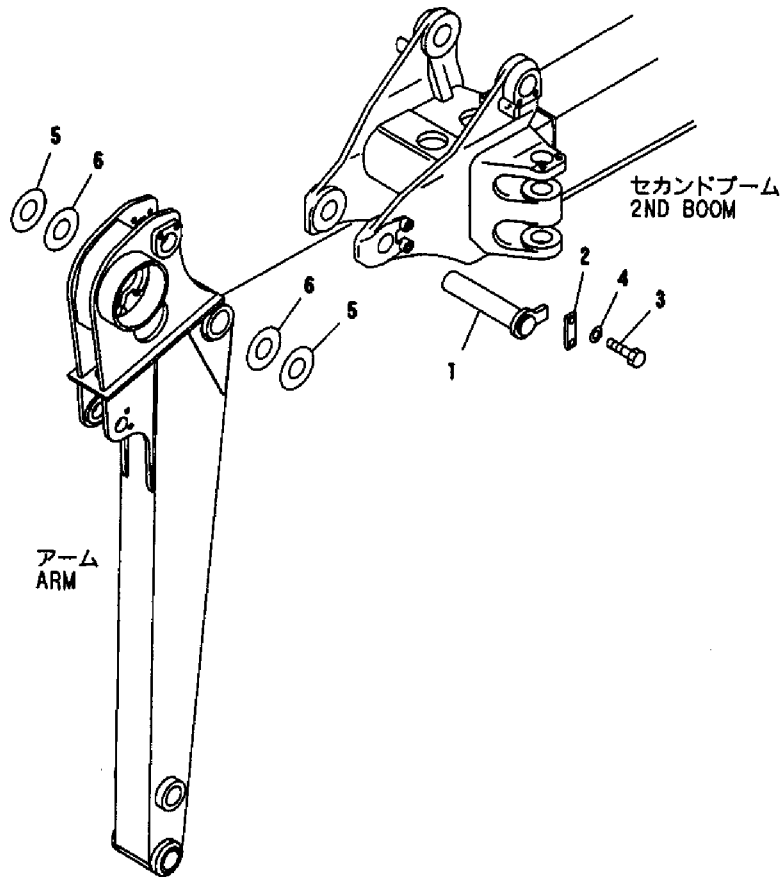
1,1,,182901-36650,, "BOOM ASS'Y",1,,,,,,,,,,,,,,,,,,,,,
2,2,,182900-68460,, BUSHING,2,,,,,,,,,,,,,,,,,,,,,
3,1,,24761-040000,, "NIPPLE B,GREASE",2,,,,,,,,,,,,,,,,,,,,,
4,1,,953KM0-00451,, "SEAL, DUST",4,,,,,,,,,,,,,,,,,,,,,
5,1,,182901-36660,, "BOOM ASS'Y",1,,,,,,,,,,,,,,,,,,,,,
6,2,,182901-36200,, BUSHING,4,,,,,,,,,,,,,,,,,,,,,
7,1,,24761-020000,, "NIPPLE PT1/8,GREASE",2,,,,,,,,,,,,,,,,,,,,,
8,1,,24761-040000,, "NIPPLE B,GREASE",2,,,,,,,,,,,,,,,,,,,,,
9,1,,182900-24790,, SEAL,8,,,,,,,,,,,,,,,,,,,,,
10,1,,182901-36100,, BRACKET,1,,,,,,,,,,,,,,,,,,,,,
11,1,,182901-36080,, "LINK ASS'Y",1,,,,,,,,,,,,,,,,,,,,,
12,2,,182901-36260,, BUSHING,2,,,,,,,,,,,,,,,,,,,,,
13,1,,24761-050000,, "NIPPLE C,GREASE",2,,,,,,,,,,,,,,,,,,,,,
14,1,,953KM0-00451,, "SEAL, DUST",4,,,,,,,,,,,,,,,,,,,,,

Fig. **173** 1ST, 2NDブーム&3RDブラケット (アタッチメント)
1ST, 2ND BOOM & 3RD BRACKET (ATTACHMENT)



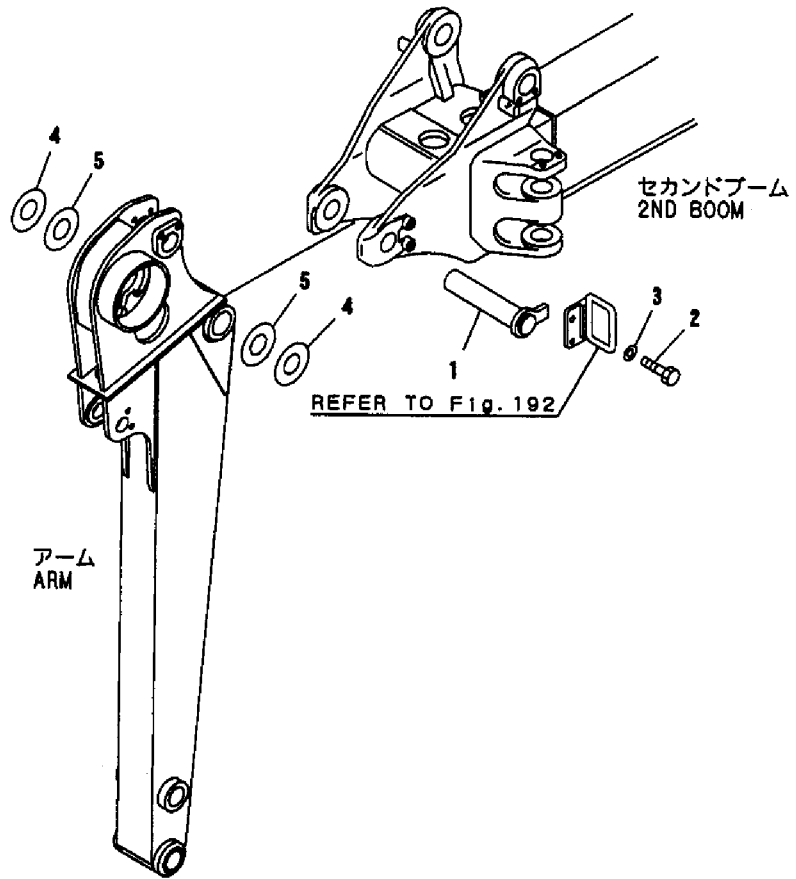
1,1,,182901-36190,,PIN,1,,,,,,,,,,,,,
1-1,1,,182901-51260,,PIN,1,,,,,,N,,*,M/#11001,,,,,,,,,I
2,1,,953KM0-00004,,PLATE,1,,,,,,,,,,,,,
3,1,,182900-64730,,BOLT,2,,,,,,,,,,,,,
4,1,,953KM0-00048,,WASHER,2,,,,,,,,,,,,,
5,1,,182900-30530,, "SHIM, 2.5MM",2,,,,,,,,,,,,,
6,1,,182901-36320,, "SPACER, 0.5MM",2,,,,,,,,,,,,,

Fig. 174 **ピン (ブーム) (1)**
PIN (BOOM) (1)



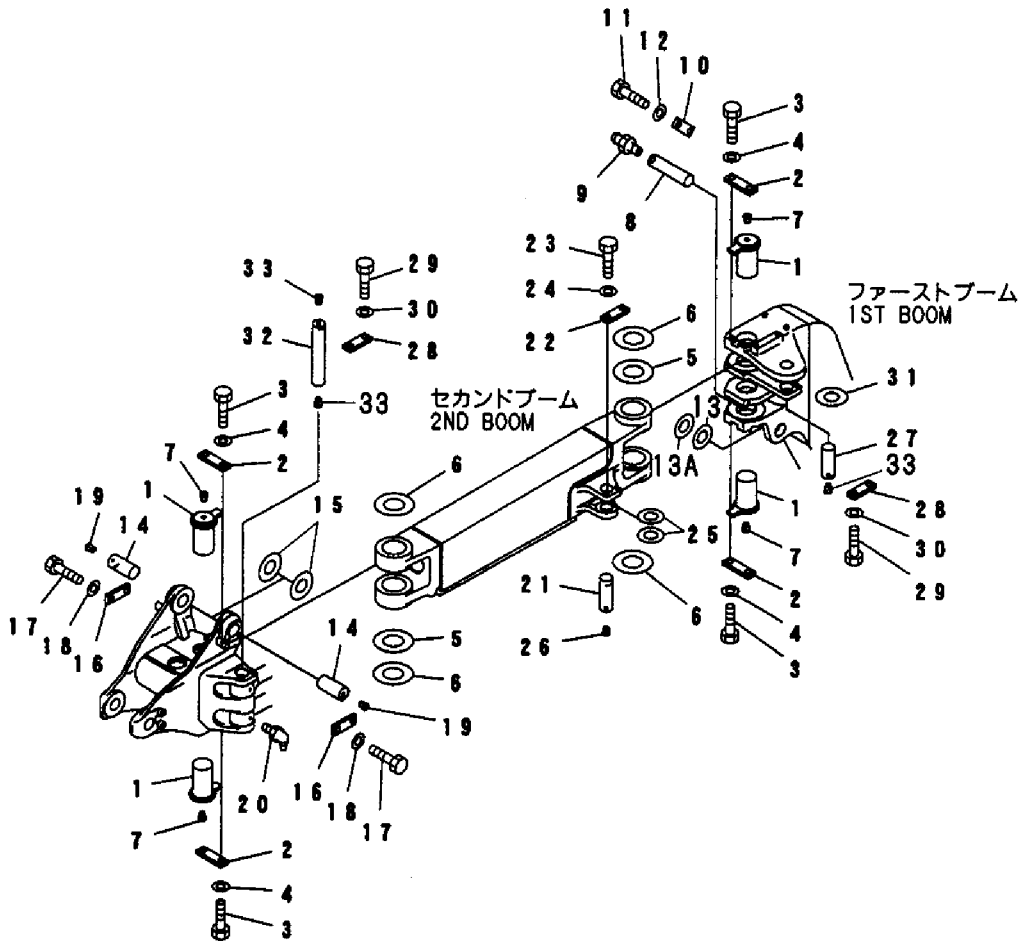
1,1,,182901-36190,,PIN,1,,,,,,,,,,,,,
2,1,,182900-64730,,BOLT,2,,,,,,,,,,,,,
3,1,,953KM0-00048,,WASHER,2,,,,,,,,,,,,,
4,1,,182900-30530,, "SHIM, 2.5MM",2,,,,,,,,,,,,,
5,1,,182901-36320,, "SPACER, 0.5MM",2,,,,,,,,,,,,,

Fig. 175 ピン (ブーム) (1) (アタッチメント)
PIN (BOOM) (1) (ATTACHMENT)



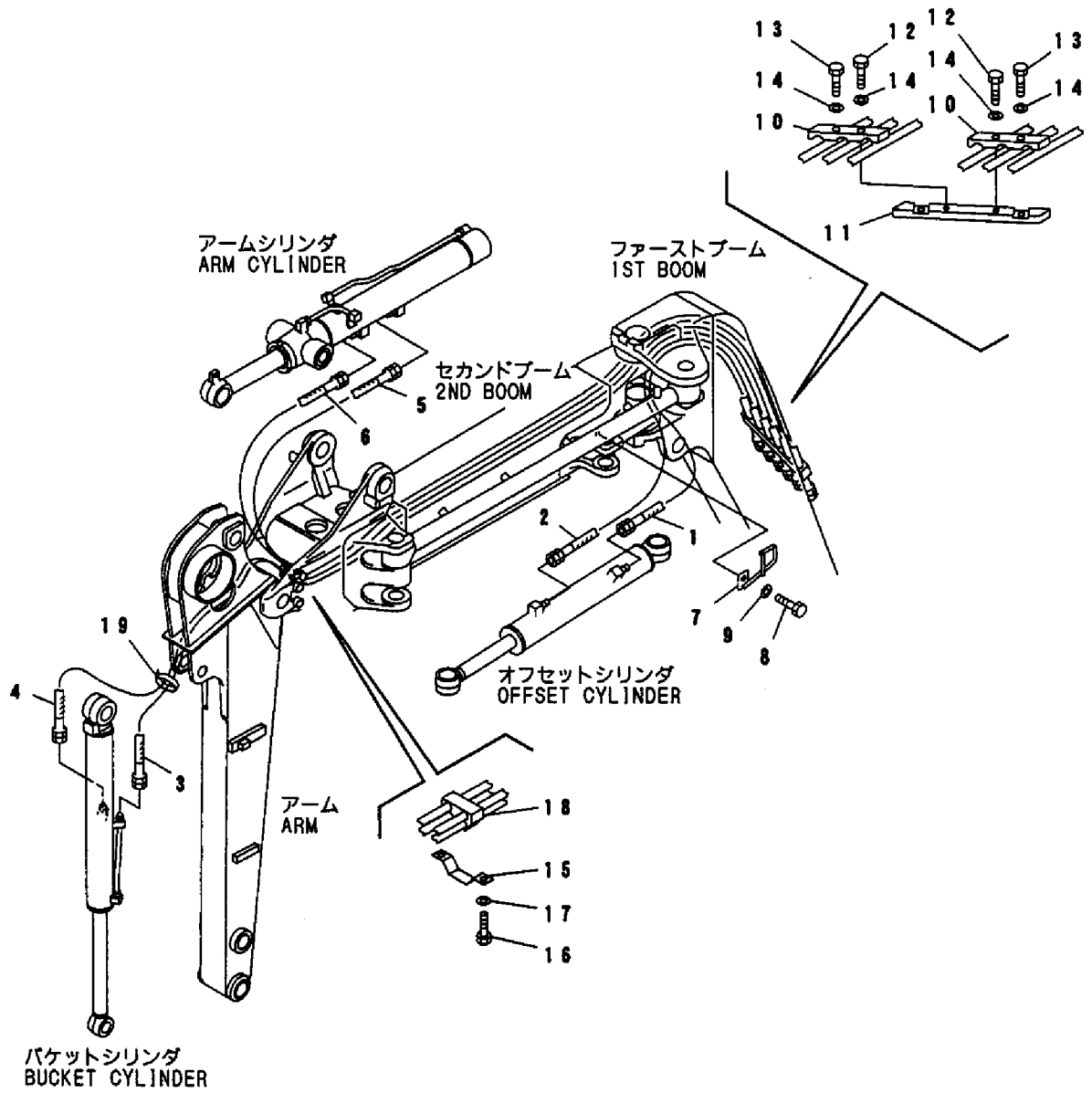
1,1,,182901-36150,,PIN,4,,,,,,,,,,,,,
1-1,1,,182901-51220,,PIN,4,,,,,,N,*M/#11001,,,,,,,,,,,,,I
2,1,,953KM0-00004,,PLATE,4,,,,,,,,,,,,,
3,1,,182900-64730,,BOLT,8,,,,,,,,,,,,,
4,1,,953KM0-00048,,WASHER,8,,,,,,,,,,,,,
5,1,,182901-31060,, "SPACER, 0.5MM",2,,,,,,,,,,,,,
6,1,,182901-31070,, "SPACER, 1.0MM",4,,,,,,,,,,,,,
7,1,,182900-24710,,PLUG,4,,,,,,,,,,,,,
8,1,,182901-36360,,PIN,1,,,,,,,,,,,,,
8-1,1,,182901-51270,,PIN,1,,,,,,N,*M/#11001,,,,,,,,,,,,,I
9,1,,24761-020000,, "NIPPLE PT1/8,GREASE",1,,,,,,,,,,,,,
10,1,,953KM0-12130,,LOCK,1,,,,,,,,,,,,,
11,1,,182900-64730,,BOLT,2,,,,,,,,,,,,,
12,1,,953KM0-00048,,WASHER,2,,,,,,,,,,,,,
13,1,,182901-36310,, "SPACER, 1.0MM",1,,,,,,,,,,,,,
13A,1,,182901-30650,,SPACER,1,,,,,,,,,,,,,
14,1,,182901-36370,,PIN,2,,,,,,,,,,,,,
14-1,1,,182901-51280,,PIN,2,,,,,,N,*M/#11001,,,,,,,,,,,,,I
15,1,,182901-36380,, "SPACER, 2.5MM",2,,,,,,,,,,,,,
16,1,,953KM0-12130,,LOCK,2,,,,,,,,,,,,,
17,1,,182900-64730,,BOLT,4,,,,,,,,,,,,,
18,1,,953KM0-00048,,WASHER,4,,,,,,,,,,,,,
19,1,,182900-14230,,PLUG,2,,,,,,,,,,,,,
20,1,,24761-050000,, "NIPPLE C,GREASE",2,,,,,,,,,,,,,
21,1,,182901-36160,,PIN,1,,,,,,,,,,,,,
21-1,1,,182901-51230,,PIN,1,,,,,,N,*M/#11001,,,,,,,,,,,,,I
22,1,,953KM0-12130,,LOCK,1,,,,,,,,,,,,,
23,1,,182900-64730,,BOLT,2,,,,,,,,,,,,,
24,1,,953KM0-00048,,WASHER,2,,,,,,,,,,,,,
25,1,,182901-36310,, "SPACER, 1.0MM",1,,,,,,,,,,,,,
26,1,,182900-14230,,PLUG,1,,,,,,,,,,,,,
27,1,,182901-36170,,PIN,1,,,,,,,,,,,,,
27-1,1,,182901-51240,,PIN,1,,,,,,N,*M/#11001,,,,,,,,,,,,,I
28,1,,953KM0-12130,,LOCK,2,,,,,,,,,,,,,
29,1,,182900-64730,,BOLT,4,,,,,,,,,,,,,
30,1,,953KM0-00048,,WASHER,4,,,,,,,,,,,,,
31,1,,182901-36310,, "SPACER, 1.0MM",3,,,,,,,,,,,,,
32,1,,182901-36180,,PIN,1,,,,,,,,,,,,,
32-1,1,,182901-51250,,PIN,1,,,,,,N,*M/#11001,,,,,,,,,,,,,I
33,1,,182900-14230,,PLUG,3,,,,,,,,,,,,,

Fig. 176 **ピン (ブーム) (2)**
PIN (BOOM) (2)



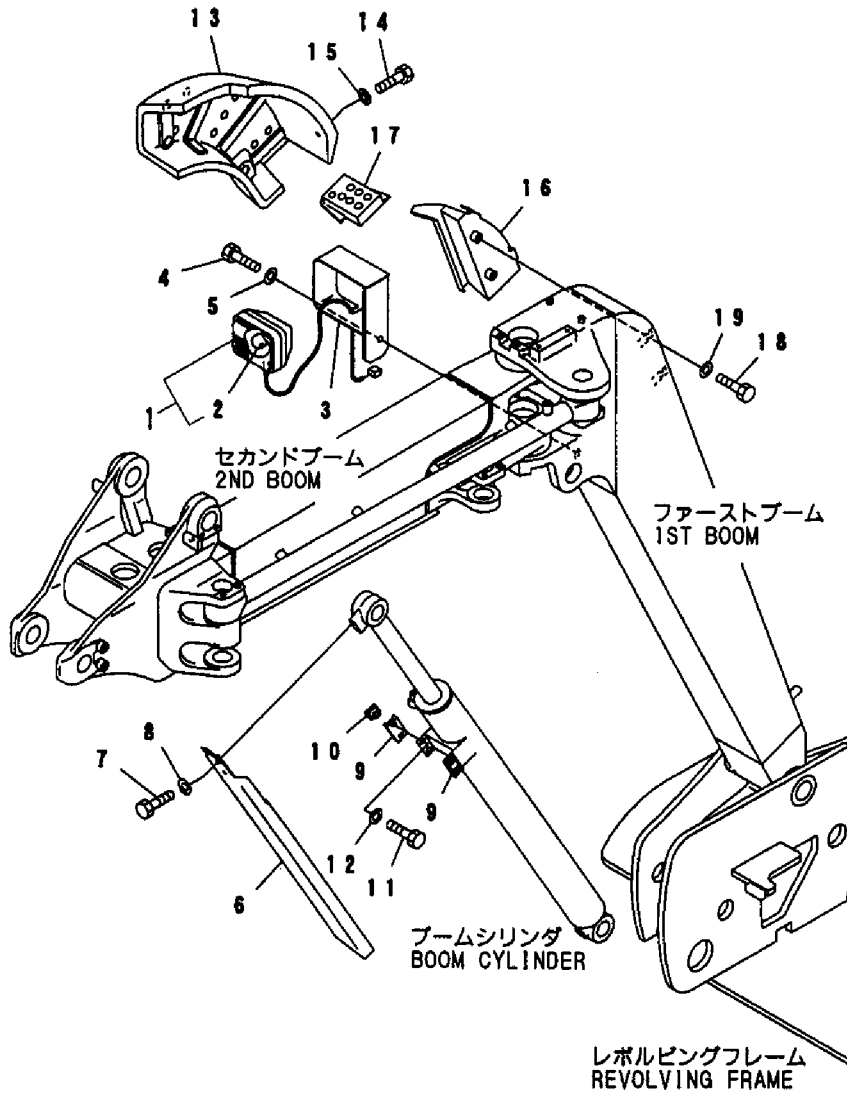
1,1,,182901-35630,, "HOSE, 1490MM",1,,,,,,,,,,,,,,,,,,,,,
2,1,,182901-35640,, "HOSE, 1630MM",1,,,,,,,,,,,,,,,,,,,,,
3,1,,182901-35650,, "HOSE, 3570MM",1,,,,,,,,,,,,,,,,,,,,,
4,1,,182901-35660,, "HOSE, 3600MM",1,,,,,,,,,,,,,,,,,,,,,
5,1,,182901-35670,, "HOSE, 3180MM",1,,,,,,,,,,,,,,,,,,,,,
6,1,,182901-35680,, "HOSE, 3230MM",1,,,,,,,,,,,,,,,,,,,,,
7,1,,182901-36270,, CLAMP,1,,,,,,,,,,,,,,,,,,,,,
8,1,,182900-64860,, BOLT,1,,,,,,,,,,,,,,,,,,,,,
9,1,,953KM0-00222,, WASHER,1,,,,,,,,,,,,,,,,,,,,,
10,1,,182901-36250,, CLAMP,2,,,,,,,,,,,,,,,,,,,,,
11,1,,182901-36420,, CLAMP,1,,,,,,,,,,,,,,,,,,,,,
12,1,,182900-64870,, BOLT,2,,,,,,,,,,,,,,,,,,,,,
13,1,,182900-64590,, BOLT,2,,,,,,,,,,,,,,,,,,,,,
14,1,,953KM0-00222,, WASHER,4,,,,,,,,,,,,,,,,,,,,,
15,1,,182901-36220,, CLAMP,1,,,,,,,,,,,,,,,,,,,,,
16,1,,182900-68010,, BOLT,2,,,,,,,,,,,,,,,,,,,,,
17,1,,953KM0-00222,, WASHER,2,,,,,,,,,,,,,,,,,,,,,
18,1,,182901-36230,, CUSHION,1,,,,,,,,,,,,,,,,,,,,,
19,1,,953KM0-00551,, BAND,1,,,,,,,,,,,,,,,,,,,,,

Fig. 177 油圧配管 (ブーム)
HYD. OIL PIPING (BOOM)



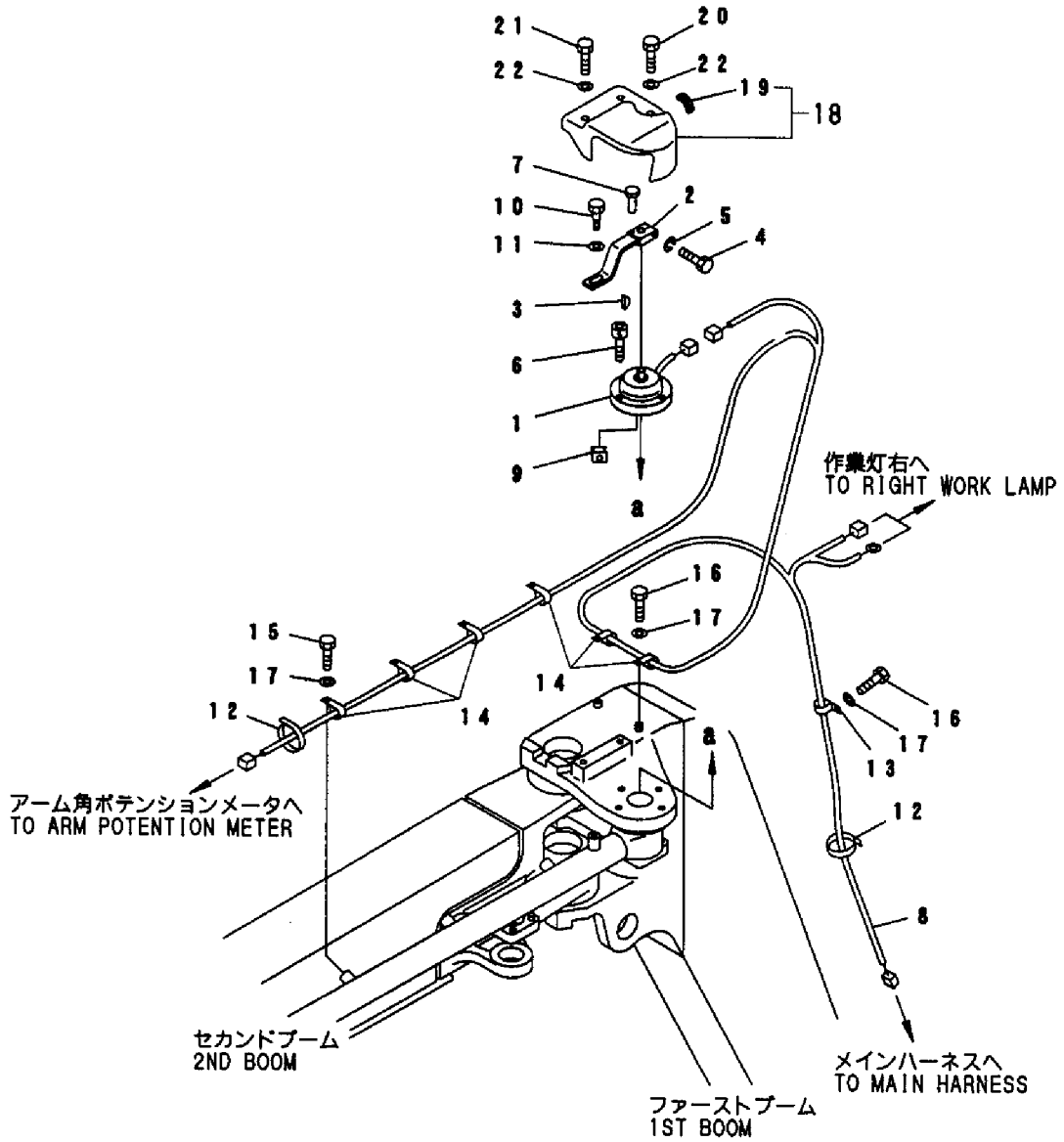
1,1,,182901-37650,, "WORK LAMP ASS'Y",1,,,,,,,,,,,,,
2,2,,953KM0-04088,, "BULB,60W",1,,,,,,,,,,,,,
3,1,,182901-32490,, BRACKET,1,,,,,,,,,,,,,
4,1,,182900-82500,, BOLT,1,,,,,,,,,,,,,
5,1,,953KM0-00048,, WASHER,1,,,,,,,,,,,,,
6,1,,182901-36390,, COVER,1,,,,,,,,,,,,,
7,1,,182900-68000,, BOLT,2,,,,,,,,,,,,,
8,1,,953KM0-00222,, WASHER,2,,,,,,,,,,,,,
9,1,,182900-16380,, PAD,2,,,,,,,,,,,,,
10,1,,182900-16390,, COLLAR,4,,,,,,,,,,,,,
11,1,,182900-67980,, BOLT,4,,,,,,,,,,,,,
12,1,,953KM0-00221,, WASHER,4,,,,,,,,,,,,,
13,1,,182901-36560,, COVER,1,,,,,,,,,,,,,
14,1,,182900-68000,, BOLT,5,,,,,,,,,,,,,
15,1,,182900-25140,, COLLAR,5,,,,,,,,,,,,,
16,1,,182901-36430,, COVER,1,,,,,,,,,,,,,
17,1,,182901-36340,, CUSHION,1,,,,,,,,,,,,,
18,1,,182900-68000,, BOLT,2,,,,,,,,,,,,,
19,1,,953KM0-00222,, WASHER,2,,,,,,,,,,,,,

Fig. 178 ワークランプ&ブームシリンダカバー
WORK LAMP & BOOM CYLINDER COVER



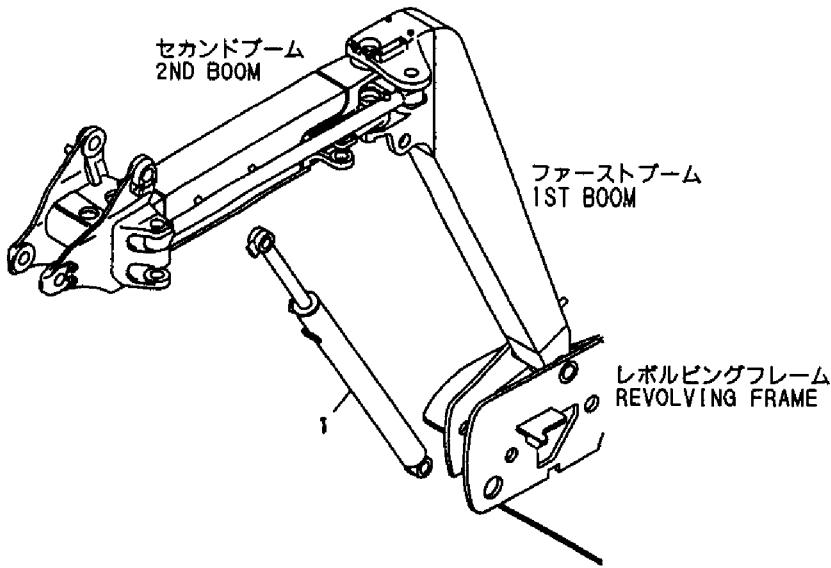
1,1,,182901-24880,,POTENTIOMETER,1,,,,,,,,,,,,,
2,1,,182901-36400,,LEVER,1,,,,,,,,,,,,,
3,1,,182900-24560,,KEY,1,,,,,,,,,,,,,
4,1,,182900-76140,,BOLT,1,,,,,,,,,,,,,
5,1,,953KM0-00201,, "WASHER, SPRING",1,,,,,,,,,,,,,
6,1,,182900-77200,,BOLT,4,,,,,,,,,,,,,
7,1,,182900-24590,,PIN,1,,,,,,,,,,,,,
8,1,,182901-32310,, "WIRING HARNESS",1,,,,,,,,,,,,,
9,1,,182900-27650,,CUSHION,1,,,,,,,,,,,,,
10,1,,182900-13210,,BOLT,1,,,,,,,,,,,,,
11,1,,953KM0-00222,,WASHER,1,,,,,,,,,,,,,
12,1,,182900-27300,,BAND,3,,,,,,,,,,,,,
13,1,,953KM0-03626,,CLIP,1,,,,,,,,,,,,,
14,1,,182900-24970,,CLIP,9,,,,,,,,,,,,,
15,1,,182900-68000,,BOLT,4,,,,,,,,,,,,,
16,1,,182900-67990,,BOLT,5,,,,,,,,,,,,,
17,1,,953KM0-00222,,WASHER,9,,,,,,,,,,,,,
18,1,,182901-36570,, "COVER ASS'Y",1,,,,,,,,,,,,,
19,2,,182901-36350,,SEAL,1,,,,,,,,,,,,,
20,1,,182900-76190,,BOLT,1,,,,,,,,,,,,,
21,1,,182900-68000,,BOLT,2,,,,,,,,,,,,,
22,1,,953KM0-00222,,WASHER,3,,,,,,,,,,,,,

Fig. 179 安全装置 (ブーム)
SAFETY EQUIP. (BOOM)

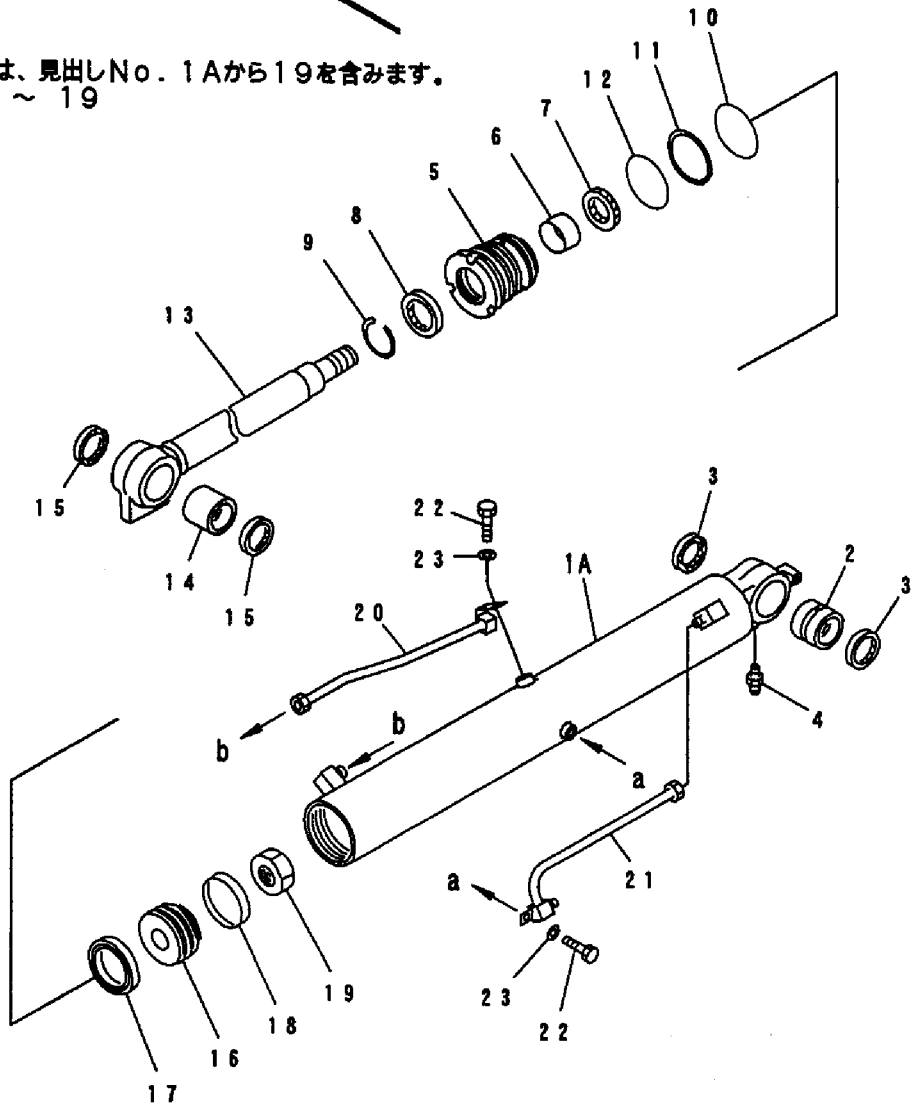


1,1,,182901-42380,, "CYLINDER ASS'Y",1,,,,,,,,,,,,,
1A,2,,182901-42390,,CYLINDER,1,,,,,,,,,,,,,
2,2,,182901-42400,,BUSHING,1,,,,,,,,,,,,,
3,2,,953KM0-00451,, "SEAL, DUST",2,,,,,,,,,,,,,
4,2,,24761-020000,, "NIPPLE PT1/8,GREASE",1,,,,,,,,,,,,,
5,2,,182900-42640,,HEAD,1,,,,,,,,,,,,,
6,2,,182900-24830,,BUSHING,1,,,,,,,,,,,,,
7,2,,182900-31870,,PACKING,1,,,,,,,,,,,,,
8,2,,182900-25270,,SEAL,1,,,,,,,,,,,,,
9,2,,182900-24840,,RING,1,,,,,,,,,,,,,
10,2,,24325-000750,, "O-RING 1B G-75.0",1,,,,,,,,,,,,,
11,2,,953KM0-00453,, "RING, BACK-UP",1,,,,,,,,,,,,,
12,2,,24325-000800,, "O-RING 1B G-80.0",1,,,,,,,,,,,,,
13,2,,182901-42410,,ROD,1,,,,,,,,,,,,,
14,2,,182901-42420,,BUSHING,1,,,,,,,,,,,,,
15,2,,953KM0-00451,, "SEAL, DUST",2,,,,,,,,,,,,,
16,2,,182900-31790,,PISTON,1,,,,,,,,,,,,,
17,2,,182900-22730,,RING,1,,,,,,,,,,,,,
18,2,,182900-11090,,RING,1,,,,,,,,,,,,,
19,2,,182900-24490,,NUT,1,,,,,,,,,,,,,
20,1,,182901-42430,,TUBE,1,,,,,,,,,,,,,
21,1,,182901-42440,,TUBE,1,,,,,,,,,,,,,
22,1,,182900-68000,,BOLT,2,,,,,,,,,,,,,
23,1,,953KM0-00222,,WASHER,2,,,,,,,,,,,,,
24,1,,182900-42840,, "SERVICE KIT",1,,,,,,,,,1,,,,,,,,,

Fig. 180 ブームシリンダ BOOM CYLINDER



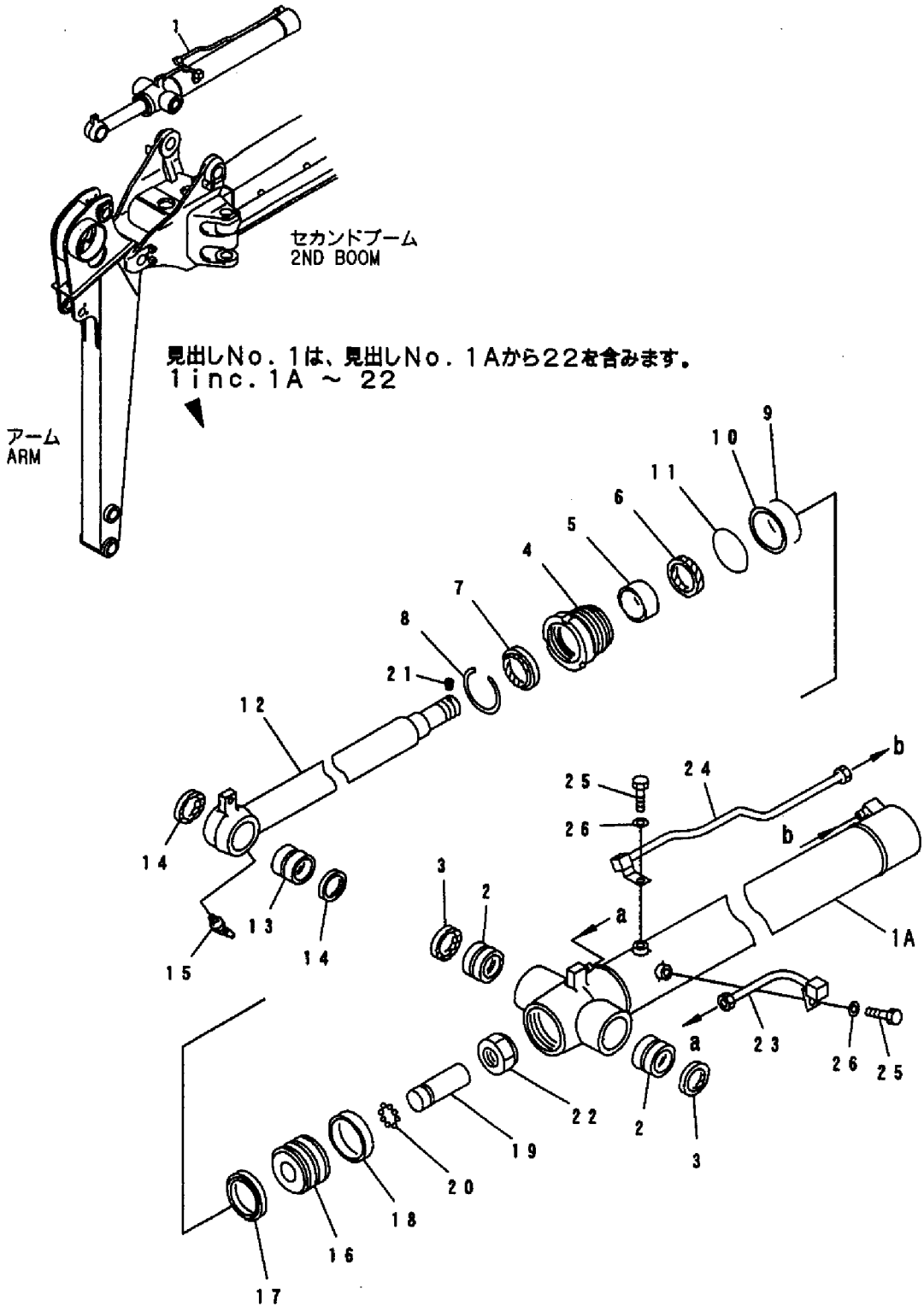
見出しNo. 1は、見出しNo. 1Aから19を含みます。
1 inc. 1A ~ 19



サービスキット
SERVICE KIT
(182900-42840)
Fig. 180 REF. No. 24
24 inc. REF. No. 3, 7, 8, 10 ~ 12, 15, 17, 18

1,1,,182901-42450,, "CYLINDER ASS'Y",1,,,,,,,,,,,,,
1A,2,,182901-42460,,CYLINDER,1,,,,,,,,,,,,,
2,2,,182901-42470,,BUSHING,2,,,,,,,,,,,,,
3,2,,172511-91320,, "SEAL 50X60X4, DUST",2,,,,,,,,,,,,,
4,2,,182900-42640,,HEAD,1,,,,,,,,,,,,,
5,2,,182900-24830,,BUSHING,1,,,,,,,,,,,,,
6,2,,182900-31870,,PACKING,1,,,,,,,,,,,,,
7,2,,182900-25270,,SEAL,1,,,,,,,,,,,,,
8,2,,182900-24840,,RING,1,,,,,,,,,,,,,
9,2,,24325-000750,, "O-RING 1B G-75.0",1,,,,,,,,,,,,,
10,2,,953KM0-00453,, "RING, BACK-UP",2,,,,,,,,,,,,,
11,2,,24325-000800,, "O-RING 1B G-80.0",1,,,,,,,,,,,,,
12,2,,182901-42480,,ROD,1,,,,,,,,,,,,,
13,2,,182901-42400,,BUSHING,1,,,,,,,,,,,,,
14,2,,953KM0-00451,, "SEAL, DUST",2,,,,,,,,,,,,,
15,2,,24761-040000,, "NIPPLE B,GREASE",1,,,,,,,,,,,,,
16,2,,182900-31790,,PISTON,1,,,,,,,,,,,,,
17,2,,182900-22730,,RING,1,,,,,,,,,,,,,
18,2,,182900-11090,,RING,1,,,,,,,,,,,,,
19,2,,182900-73080,,PLUNGER,1,,,,,,,,,,,,,
20,2,,182900-33970,,BALL,9,,,,,,,,,,,,,
21,2,,182900-42810,,PLUG,1,,,,,,,,,,,,,
22,2,,182900-34220,,NUT,1,,,,,,,,,,,,,
23,1,,182901-42490,,TUBE,1,,,,,,,,,,,,,
24,1,,182901-42500,,TUBE,1,,,,,,,,,,,,,
25,1,,182900-68000,,BOLT,2,,,,,,,,,,,,,
26,1,,953KM0-00222,,WASHER,2,,,,,,,,,,,,,
27,1,,182901-42510,, "SERVICE KIT",1,,,,,,,,,1,,,,,,,,,

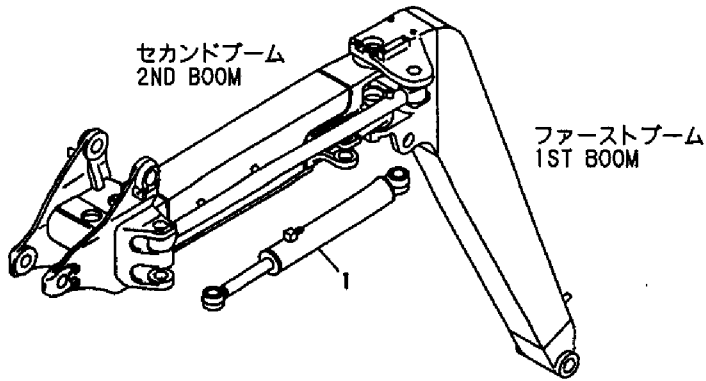
Fig. 181 アームシリンダ
ARM CYLINDER



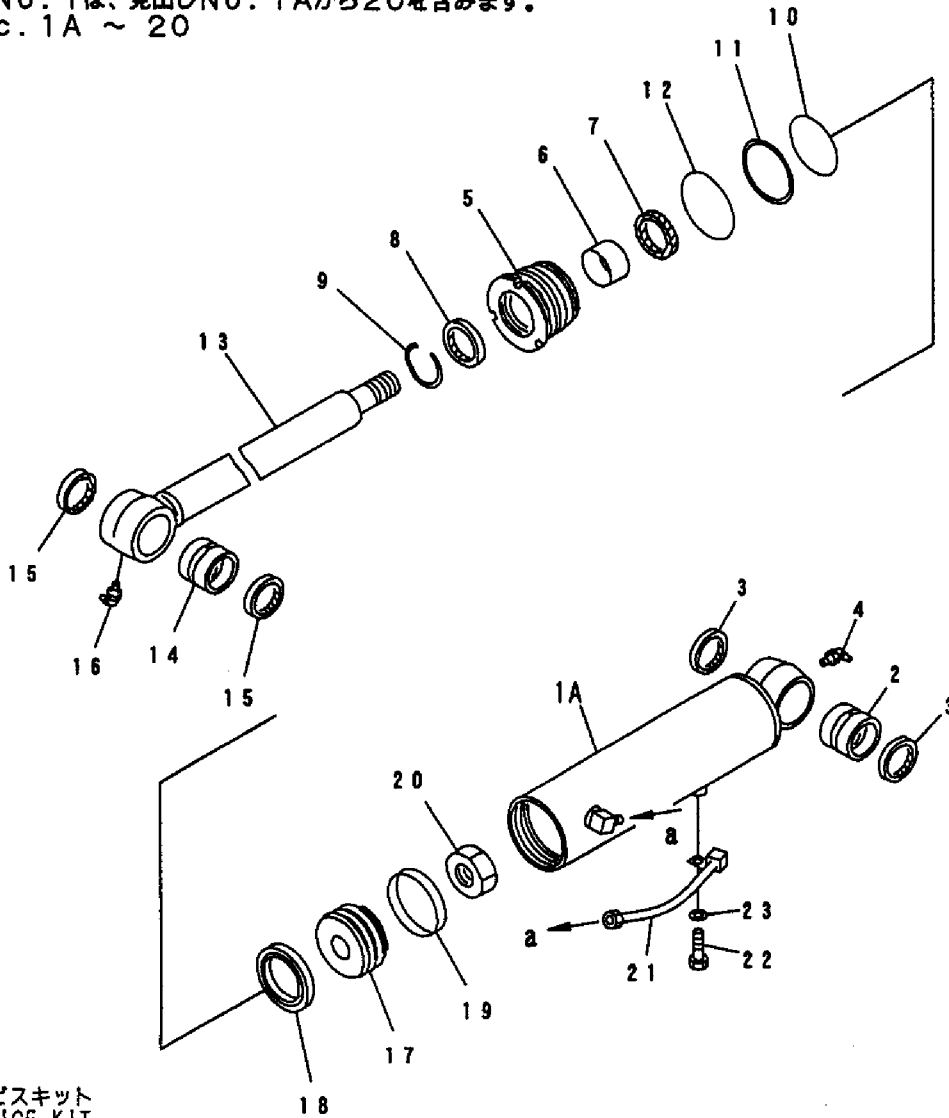
サービスキット
SERVICE KIT
(182901-42510)
Fig. 181 REF. No. 27
27inc. REF. No. 3, 6, 7, 9 ~ 11, 14, 17, 18

1,1,,182901-42520,, "CYLINDER ASS'Y",1,,,,,,,,,,,,,
1A,2,,182901-42530,,CYLINDER,1,,,,,,,,,,,,,
2,2,,182901-42400,,BUSHING,1,,,,,,,,,,,,,
3,2,,953KM0-00451,, "SEAL, DUST",2,,,,,,,,,,,,,
4,2,,24761-050000,, "NIPPLE C,GREASE",1,,,,,,,,,,,,,
5,2,,182900-31720,,HEAD,1,,,,,,,,,,,,,
6,2,,953KM0-00472,,BUSHING,1,,,,,,,,,,,,,
7,2,,953KM0-01748,, "PACKING, ROD",1,,,,,,,,,,,,,
8,2,,953KM0-00617,, "SEAL, ROD",1,,,,,,,,,,,,,
9,2,,182900-14300,,RING,1,,,,,,,,,,,,,
10,2,,24325-000750,, "O-RING 1B G-75.0",1,,,,,,,,,,,,,
11,2,,953KM0-00453,, "RING, BACK-UP",1,,,,,,,,,,,,,
12,2,,24325-000800,, "O-RING 1B G-80.0",1,,,,,,,,,,,,,
13,2,,182901-42540,,ROD,1,,,,,,,,,,,,,
14,2,,182901-42400,,BUSHING,1,,,,,,,,,,,,,
15,2,,953KM0-00451,, "SEAL, DUST",2,,,,,,,,,,,,,
16,2,,24761-050000,, "NIPPLE C,GREASE",1,,,,,,,,,,,,,
17,2,,182900-22680,,PISTON,1,,,,,,,,,,,,,
18,2,,182900-22730,,RING,1,,,,,,,,,,,,,
19,2,,182900-11090,,RING,1,,,,,,,,,,,,,
20,2,,182900-14060,,NUT,1,,,,,,,,,,,,,
21,1,,182901-42550,,TUBE,1,,,,,,,,,,,,,
22,1,,182900-68000,,BOLT,1,,,,,,,,,,,,,
23,1,,953KM0-00222,,WASHER,1,,,,,,,,,,,,,
24,1,,182901-42560,,KIT,1,,,,,1,,,,,,,,,,,,,

Fig. 182 オフセットシリンダ
OFFSET CYLINDER



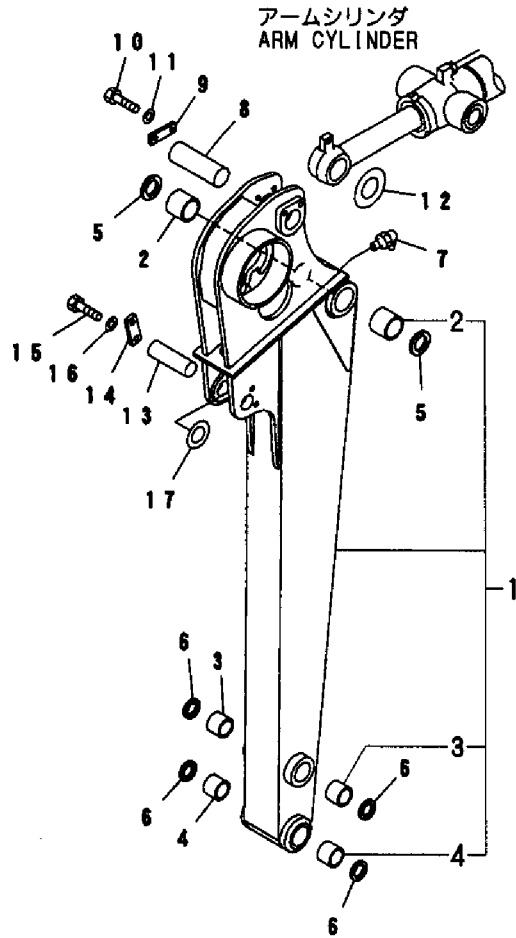
見出しNo. 1は、見出しNo. 1Aから20を含みます。
1inc. 1A ~ 20



サービスキット
SERVICE KIT
(182901-42560)
Fig. 182 REF. No. 24
24inc. REF. No. 3, 7, 8, 10 ~ 12, 15, 18, 19

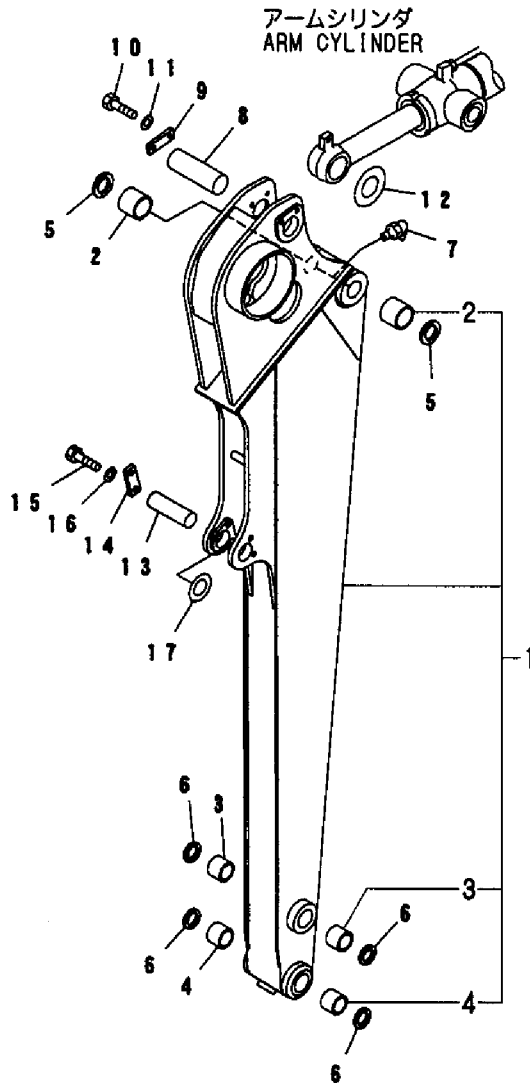
1,1,,182901-36550,, "ARM ASS'Y",1,,,,,,,,,,,,,
1-1,1,,182901-51330,, "ARM ASS'Y",1,,,,,,N,,*,M/#11001,,,,,,,,,,,,,I
2,2,,182901-36330,, BUSHING,2,,,,,,,,,,,,,
3,2,,953KM0-00026,, BUSHING,2,,,,,,,,,,,,,
4,2,,182900-25970,, BUSHING,2,,,,,,,,,,,,,
5,1,,953KM0-00451,, "SEAL, DUST",2,,,,,,,,,,,,,
6,1,,172510-93950,, "SEAL 35X45X4, DUST",4,,,,,,,,,,,,,
7,1,,24761-050000,, "NIPPLE C,GREASE",1,,,,,,,,,,,,,
8,1,,182900-25940,, PIN,1,,,,,,,,,,,,,
8-1,1,,182901-51300,, PIN,1,,,,,,N,,*,M/#11001,,,,,,,,,,,,,I
9,1,,953KM0-12130,, LOCK,1,,,,,,,,,,,,,
10,1,,182900-64730,, BOLT,2,,,,,,,,,,,,,
11,1,,953KM0-00048,, WASHER,2,,,,,,,,,,,,,
12,1,,182901-36310,, "SPACER, 1.0MM",1,,,,,,,,,,,,,
13,1,,182900-25850,, PIN,1,,,,,,,,,,,,,
13-1,1,,182901-51320,, PIN,1,,,,,,N,,*,M/#11001,,,,,,,,,,,,,I
14,1,,953KM0-12130,, LOCK,1,,,,,,,,,,,,,
15,1,,182900-64730,, BOLT,2,,,,,,,,,,,,,
16,1,,953KM0-00048,, WASHER,2,,,,,,,,,,,,,
17,1,,182901-30920,, "SPACER, 1.0MM",1,,,,,,,,,,,,,

Fig. 183 アーム
ARM



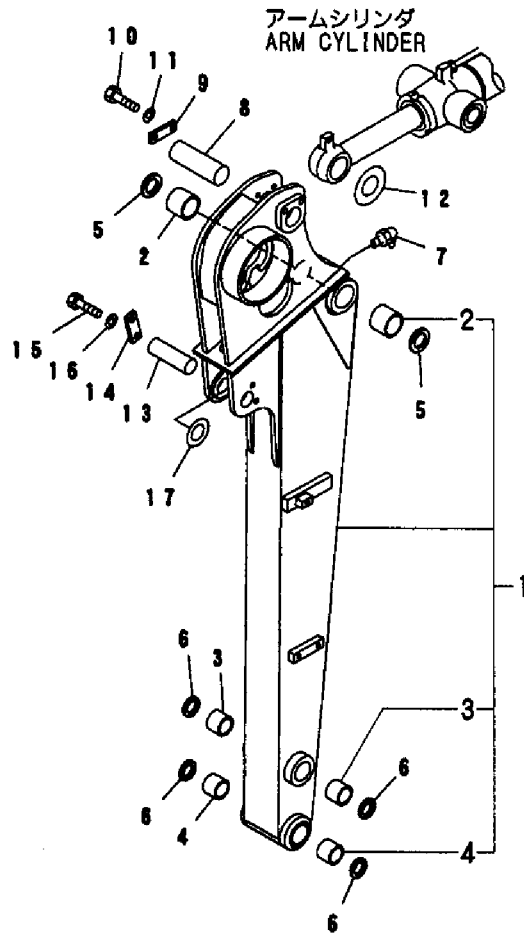
1,1,,182901-36620,, "ARM ASS'Y",1,,,,,,,,,,,,,
2,2,,182901-36330,, BUSHING,2,,,,,,,,,,,,,
3,2,,953KM0-00026,, BUSHING,2,,,,,,,,,,,,,
4,2,,182900-25970,, BUSHING,2,,,,,,,,,,,,,
5,1,,953KM0-00451,, "SEAL, DUST",2,,,,,,,,,,,,,
6,1,,172510-93950,, "SEAL 35X45X4, DUST",4,,,,,,,,,,,,,
7,1,,24761-050000,, "NIPPLE C,GREASE",1,,,,,,,,,,,,,
8,1,,182900-25940,, PIN,1,,,,,,,,,,,,,
9,1,,953KM0-12130,, LOCK,1,,,,,,,,,,,,,
10,1,,182900-64730,, BOLT,2,,,,,,,,,,,,,
11,1,,953KM0-00048,, WASHER,2,,,,,,,,,,,,,
12,1,,182901-36310,, "SPACER, 1.0MM",1,,,,,,,,,,,,,
13,1,,182900-25850,, PIN,1,,,,,,,,,,,,,
13-1,1,,182901-51320,, PIN,1,,,,,N,,*,M/#11001,,,,,,,,,,,,,I
14,1,,953KM0-12130,, LOCK,1,,,,,,,,,,,,,
15,1,,182900-64730,, BOLT,2,,,,,,,,,,,,,
16,1,,953KM0-00048,, WASHER,2,,,,,,,,,,,,,
17,1,,182901-30920,, "SPACER, 1.0MM",1,,,,,,,,,,,,,

Fig. 184 ロングアーム
LONG ARM



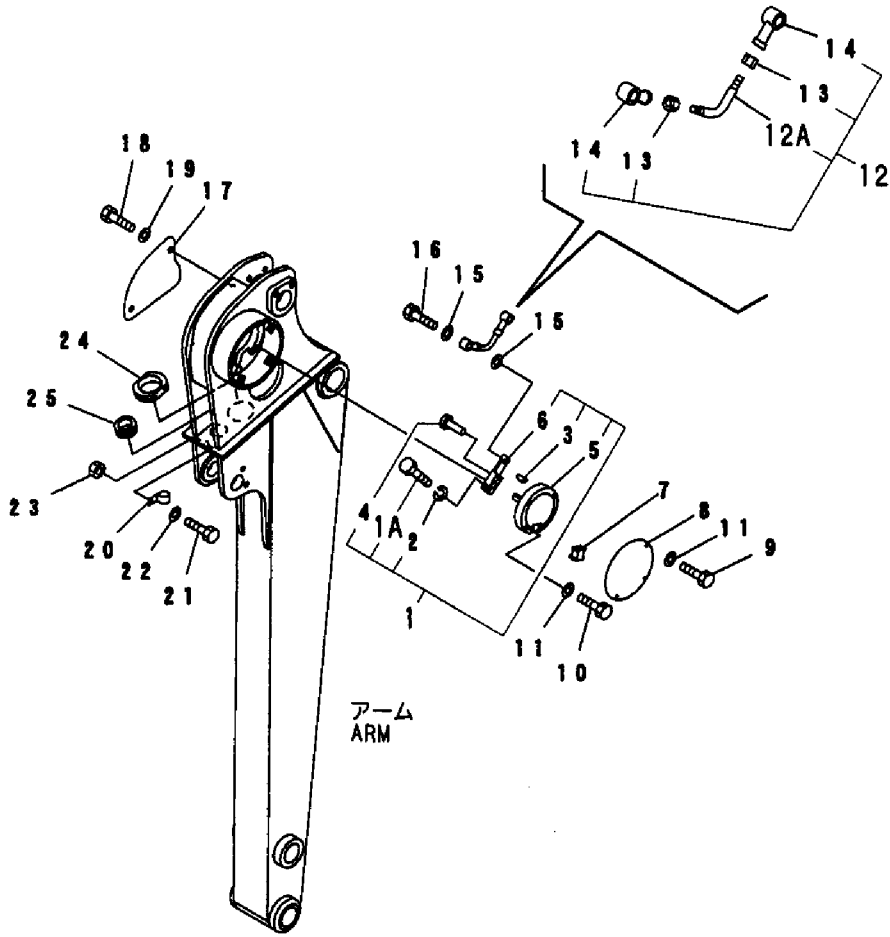
1,1,,182901-36640,, "ARM ASS'Y",1,,,,,,,,,,,,,,,,,,,,,
2,2,,182901-36330,, BUSHING,2,,,,,,,,,,,,,,,,,,,,,
3,2,,953KM0-00026,, BUSHING,2,,,,,,,,,,,,,,,,,,,,,
4,2,,182900-25970,, BUSHING,2,,,,,,,,,,,,,,,,,,,,,
5,1,,953KM0-00451,, "SEAL, DUST",2,,,,,,,,,,,,,,,,,,,,,
6,1,,172510-93950,, "SEAL 35X45X4, DUST",4,,,,,,,,,,,,,,,,,,,,,
7,1,,24761-050000,, "NIPPLE C,GREASE",1,,,,,,,,,,,,,,,,,,,,,
8,1,,182900-25940,, PIN,1,,,,,,,,,,,,,,,,,,,,,
9,1,,953KM0-12130,, LOCK,1,,,,,,,,,,,,,,,,,,,,,
10,1,,182900-64730,, BOLT,2,,,,,,,,,,,,,,,,,,,,,
11,1,,953KM0-00048,, WASHER,2,,,,,,,,,,,,,,,,,,,,,
12,1,,182901-36310,, "SPACER, 1.0MM",1,,,,,,,,,,,,,,,,,,,,,
13,1,,182900-25850,, PIN,1,,,,,,,,,,,,,,,,,,,,,
13-1,1,,182901-51320,, PIN,1,,,,,N,,*,M/#11001,,,,,,,,,,,,,I
14,1,,953KM0-12130,, LOCK,1,,,,,,,,,,,,,,,,,,,,,
15,1,,182900-64730,, BOLT,2,,,,,,,,,,,,,,,,,,,,,
16,1,,953KM0-00048,, WASHER,2,,,,,,,,,,,,,,,,,,,,,
17,1,,182901-30920,, "SPACER, 1.0MM",1,,,,,,,,,,,,,,,,,,,,,

Fig. 185 アーム (アタッチメント)
ARM (ATTACHMENT)



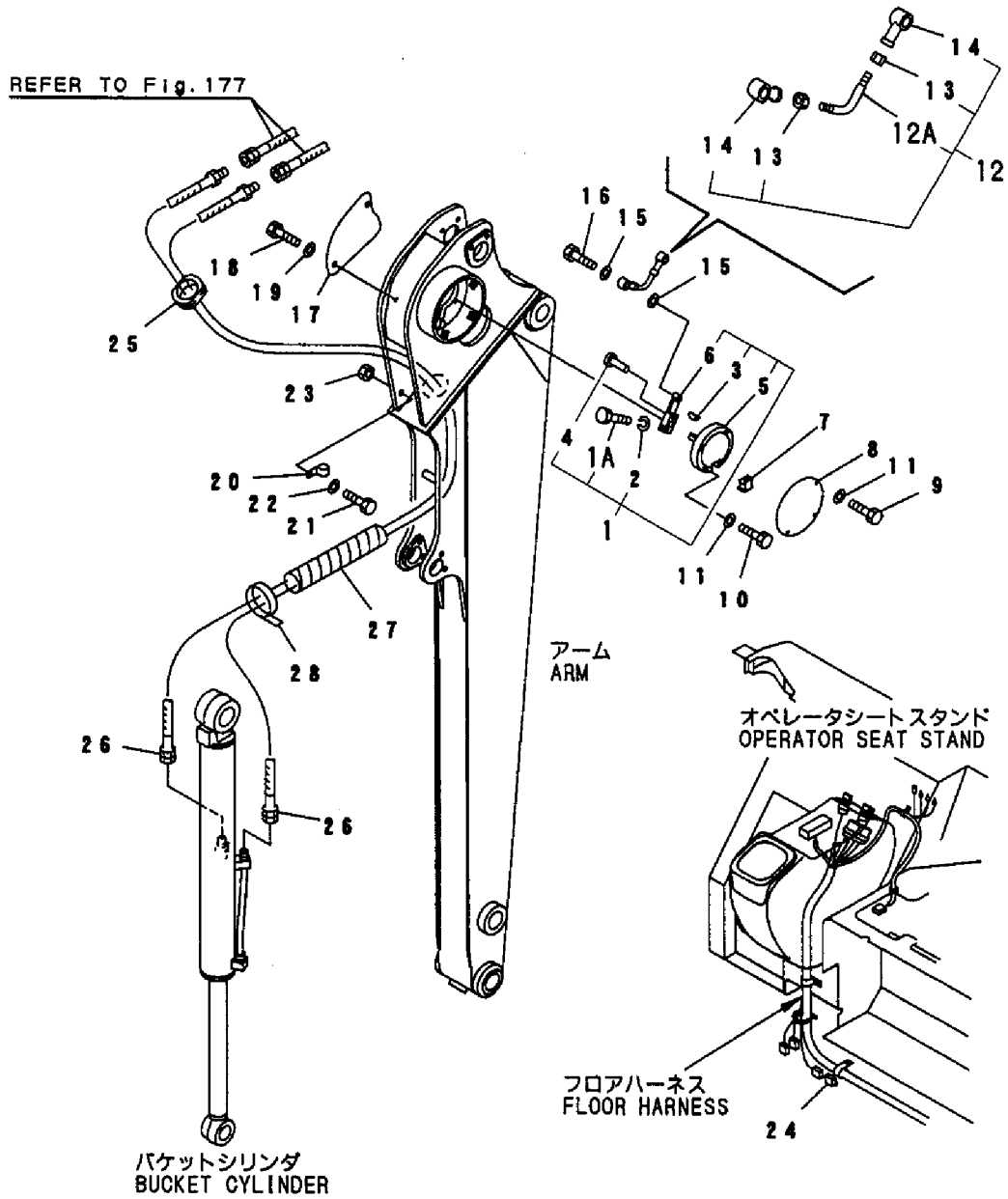
1,1,,182901-36490,, "SENSOR ASS'Y",1,,,,,,,,,,,,,
1A,2,,182900-64840,, BOLT,1,,,,,,,,,,,,,
2,2,,953KM0-00201,, "WASHER, SPRING",1,,,,,,,,,,,,,
3,2,,182900-24560,, KEY,1,,,,,,,,,,,,,
4,2,,182900-24590,, PIN,1,,,,,,,,,,,,,
5,2,,182901-24880,, POTENTIOMETER,1,,,,,,,,,,,,,
6,2,,182901-36300,, LEVER,1,,,,,,,,,,,,,
7,1,,182900-27650,, CUSHION,1,,,,,,,,,,,,,
8,1,,182901-36510,, COVER,1,,,,,,,,,,,,,
9,1,,182900-67950,, BOLT,3,,,,,,,,,,,,,
10,1,,182901-19330,, BOLT,4,,,,,,,,,,,,,
11,1,,953KM0-00220,, WASHER,7,,,,,,,,,,,,,
12,1,,182901-36530,, "ROD ASS'Y",1,,,,,,,,,,,,,
12A,2,,182901-36520,, ROD,1,,,,,,,,,,,,,
13,2,,953KM0-00180,, NUT,2,,,,,,,,,,,,,
14,2,,953KM0-00315,, "ROD, END",2,,,,,,,,,,,,,
15,1,,953KM0-00221,, WASHER,4,,,,,,,,,,,,,
16,1,,182900-82440,, BOLT,2,,,,,,,,,,,,,
17,1,,182901-36290,, COVER,1,,,,,,,,,,,,,
18,1,,182900-68000,, BOLT,2,,,,,,,,,,,,,
19,1,,953KM0-00222,, WASHER,2,,,,,,,,,,,,,
20,1,,182900-24970,, CLIP,1,,,,,,,,,,,,,
21,1,,182900-64860,, BOLT,1,,,,,,,,,,,,,
22,1,,953KM0-00222,, WASHER,1,,,,,,,,,,,,,
23,1,,953KM0-00181,, NUT,1,,,,,,,,,,,,,
24,1,,182900-30660,, GROMMET,1,,,,,,,,,,,,,
25,1,,182900-30500,, GROMMET,1,,,,,,,,,,,,,

Fig. 186 安全装置 (アーム)
SAFETY EQUIP. (ARM)



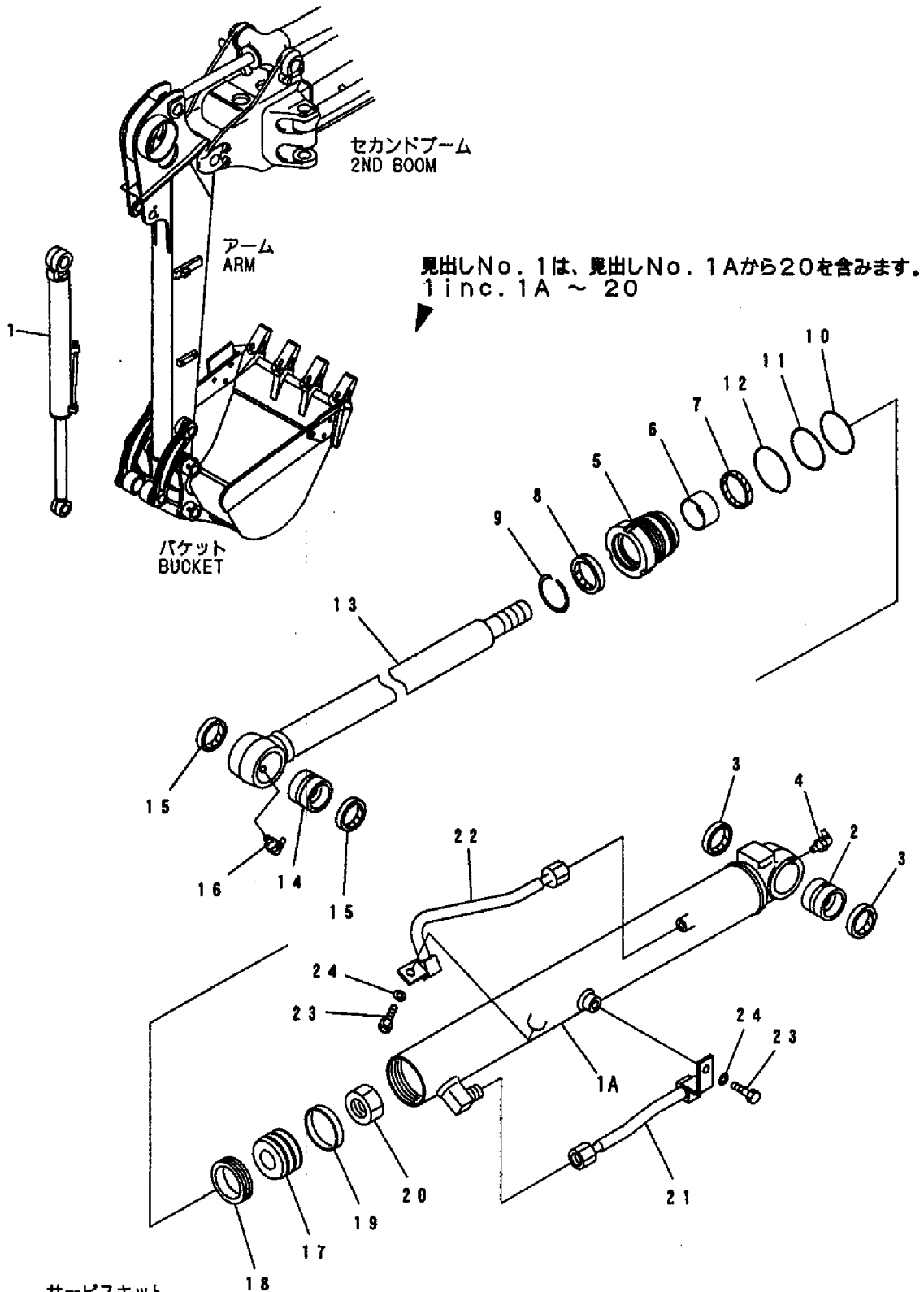
1,1,,182901-36490,, "SENSOR ASS'Y",1,,,,,,,,,,,,,
1A,2,,182900-64840,, BOLT,1,,,,,,,,,,,,,
2,2,,953KM0-00201,, "WASHER, SPRING",1,,,,,,,,,,,,,
3,2,,182900-24560,, KEY,1,,,,,,,,,,,,,
4,2,,182900-24590,, PIN,1,,,,,,,,,,,,,
5,2,,182901-24880,, POTENTIOMETER,1,,,,,,,,,,,,,
6,2,,182901-36300,, LEVER,1,,,,,,,,,,,,,
7,1,,182900-27650,, CUSHION,1,,,,,,,,,,,,,
8,1,,182901-36510,, COVER,1,,,,,,,,,,,,,
9,1,,182900-67950,, BOLT,3,,,,,,,,,,,,,
10,1,,182901-29050,, BOLT,4,,,,,,,,,,,,,
11,1,,953KM0-00220,, WASHER,7,,,,,,,,,,,,,
12,1,,182901-36530,, "ROD ASS'Y",1,,,,,,,,,,,,,
12A,2,,182901-36520,, ROD,1,,,,,,,,,,,,,
13,2,,953KM0-00180,, NUT,2,,,,,,,,,,,,,
14,2,,953KM0-00315,, "ROD, END",2,,,,,,,,,,,,,
15,1,,953KM0-00221,, WASHER,4,,,,,,,,,,,,,
16,1,,182900-82440,, BOLT,2,,,,,,,,,,,,,
17,1,,182901-36290,, COVER,1,,,,,,,,,,,,,
18,1,,182900-68000,, BOLT,2,,,,,,,,,,,,,
19,1,,953KM0-00222,, WASHER,2,,,,,,,,,,,,,
20,1,,182900-24970,, CLIP,1,,,,,,,,,,,,,
21,1,,182900-64860,, BOLT,1,,,,,,,,,,,,,
22,1,,953KM0-00222,, WASHER,1,,,,,,,,,,,,,
23,1,,953KM0-00181,, NUT,1,,,,,,,,,,,,,
24,1,,182900-27020,, WIRE,1,,,,,,,,,,,,,
25,1,,182900-30500,, GROMMET,1,,,,,,,,,,,,,
26,1,,182901-36630,, HOSE,2,,,,,,,,,,,,,
27,1,,182900-27360,, COVER,1,,,,,,,,,,,,,
28,1,,953KM0-00551,, BAND,1,,,,,,,,,,,,,

Fig. 187 油圧配管 (ロングアーム)
 HYD. OIL PIPING (LONG ARM)



1,1,,182901-42570,, "CYLINDER ASS'Y",1,,,,,,,,,,,,,
1A,2,,182901-42580,,CYLINDER,1,,,,,,,,,,,,,
2,2,,182900-69390,,BUSHING,1,,,,,,,,,,,,,
3,2,,172510-93950,, "SEAL 35X45X4, DUST",2,,,,,,,,,,,,,
4,2,,24761-050000,, "NIPPLE C,GREASE",1,,,,,,,,,,,,,
5,2,,182901-42590,,HEAD,1,,,,,,,,,,,,,
6,2,,953KM0-00471,,BUSHING,1,,,,,,,,,,,,,
7,2,,953KM0-01747,, "PACKING,ROD",1,,,,,,,,,,,,,
8,2,,953KM0-00647,, "SEAL, DUST",1,,,,,,,,,,,,,
9,2,,953KM0-02650,, "RING,SNAP",1,,,,,,,,,,,,,
10,2,,24325-000600,, "O-RING 1B G-60.0",1,,,,,,,,,,,,,
11,2,,182900-22640,,RING,1,,,,,,,,,,,,,
12,2,,24325-000650,, "O-RING 1B G-65.0",1,,,,,,,,,,,,,
13,2,,182901-42600,,ROD,1,,,,,,,,,,,,,
14,2,,953KM0-00448,,BUSH,1,,,,,,,,,,,,,
15,2,,172510-93950,, "SEAL 35X45X4, DUST",2,,,,,,,,,,,,,
16,2,,24761-040000,, "NIPPLE B,GREASE",1,,,,,,,,,,,,,
17,2,,182901-42660,,PISTON,1,,,,,,,,,,,,,
18,2,,182900-22720,,RING,1,,,,,,,,,,,,,
19,2,,182900-22690,,RING,1,,,,,,,,,,,,,
20,2,,182900-14060,,NUT,1,,,,,,,,,,,,,
21,1,,182901-42610,,TUBE,1,,,,,,,,,,,,,
22,1,,182901-42620,,TUBE,1,,,,,,,,,,,,,
23,1,,182900-68000,,BOLT,2,,,,,,,,,,,,,
24,1,,953KM0-00222,,WASHER,2,,,,,,,,,,,,,
25,1,,182901-42630,, "SERVICE KIT",1,,,,,,,,,1,,,,,,,,,

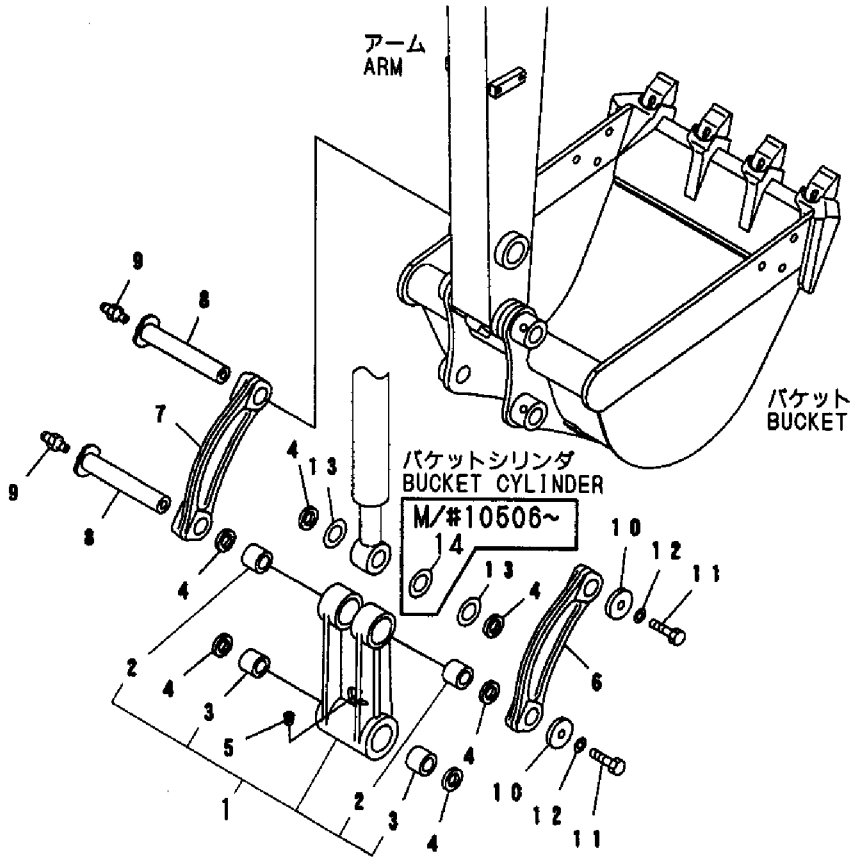
Fig. 188 バケットシリンダ BUCKET CYLINDER



サービスキット
SERVICE KIT
(182901-42630)
Fig. 188 REF. No. 25
25inc. REF. No. 3, 7, 8, 10 ~ 12, 15, 18, 19

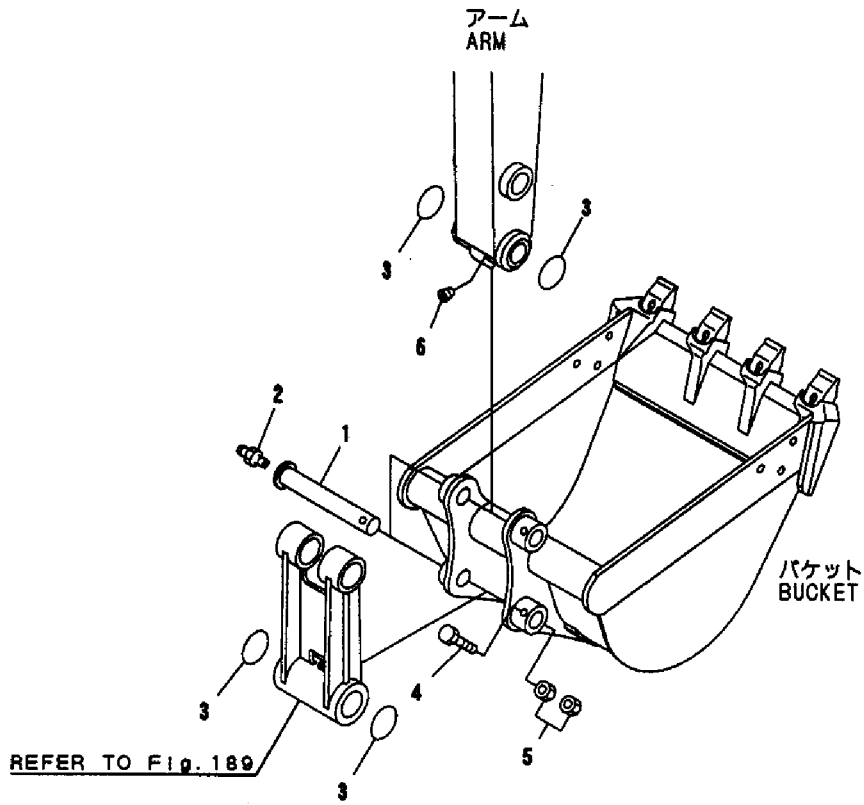
1,1,,182901-39340,, "LINK ASS'Y",1,,,,,,,,,,,,,
2,2,,953KM0-00026,, BUSHING,2,,,,,,,,,,,,,
3,2,,182900-25970,, BUSHING,2,,,,,,,,,,,,,
4,1,,172510-93950,, "SEAL 35X45X4, DUST",6,,,,,,,,,,,,,
5,1,,182900-24690,, PLUG,1,,,,,,,,,,,,,
6,1,,182901-30580,, LINK,1,,,,,,,,,,,,,
7,1,,182901-30590,, LINK,1,,,,,,,,,,,,,
8,1,,182901-30610,, PIN,2,,,,,,,,,,,,,
8-1,1,,182901-50500,, PIN,2,,,,,,N,,*,M/#11001,,,,,,,,,I
9,1,,24761-020000,, "NIPPLE PT1/8,GREASE",2,,,,,,,,,,,,,
10,1,,182900-25860,, PLATE,2,,,,,,,,,,,,,
11,1,,182900-68080,, BOLT,2,,,,,,,,,,,,,
12,1,,953KM0-00224,, WASHER,2,,,,,,,,,,,,,
13,1,,182901-30620,, "SHIM, 2.5MM",2,,,,,,,,,,,,,
14,1,,182901-30920,, "SPACER, 1.0MM",1,,,,,,W,,*,M/#10506,,,,,,,,,I

Fig. 189 バケットリンク BUCKET LINK



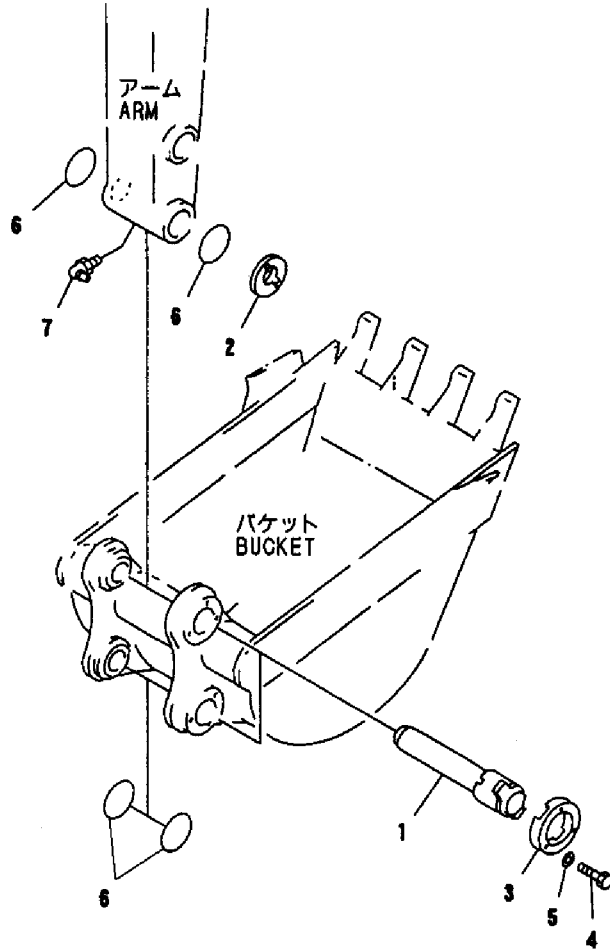
1,1,,182901-30330,,PIN,2,,,,,,,,,,,,,
1-1,1,,182901-51310,,PIN,2,,,,,,N,,*,M/#11001,,,,,,,,,I
2,1,,24761-020000,, "NIPPLE PT1/8,GREASE",2,,,,,,,,,,,,,
3,1,,182901-30190,,O-RING,4,,,,,,,,,,,,,
4,1,,182901-29150,,BOLT,2,,,,,,,,,,,,,
5,1,,953KM0-12155,,NUT,4,,,,,,,,,,,,,
6,1,,182900-24690,,PLUG,1,,,,,,,,,,,,,

Fig. 190 バケットピン
BUCKET PIN



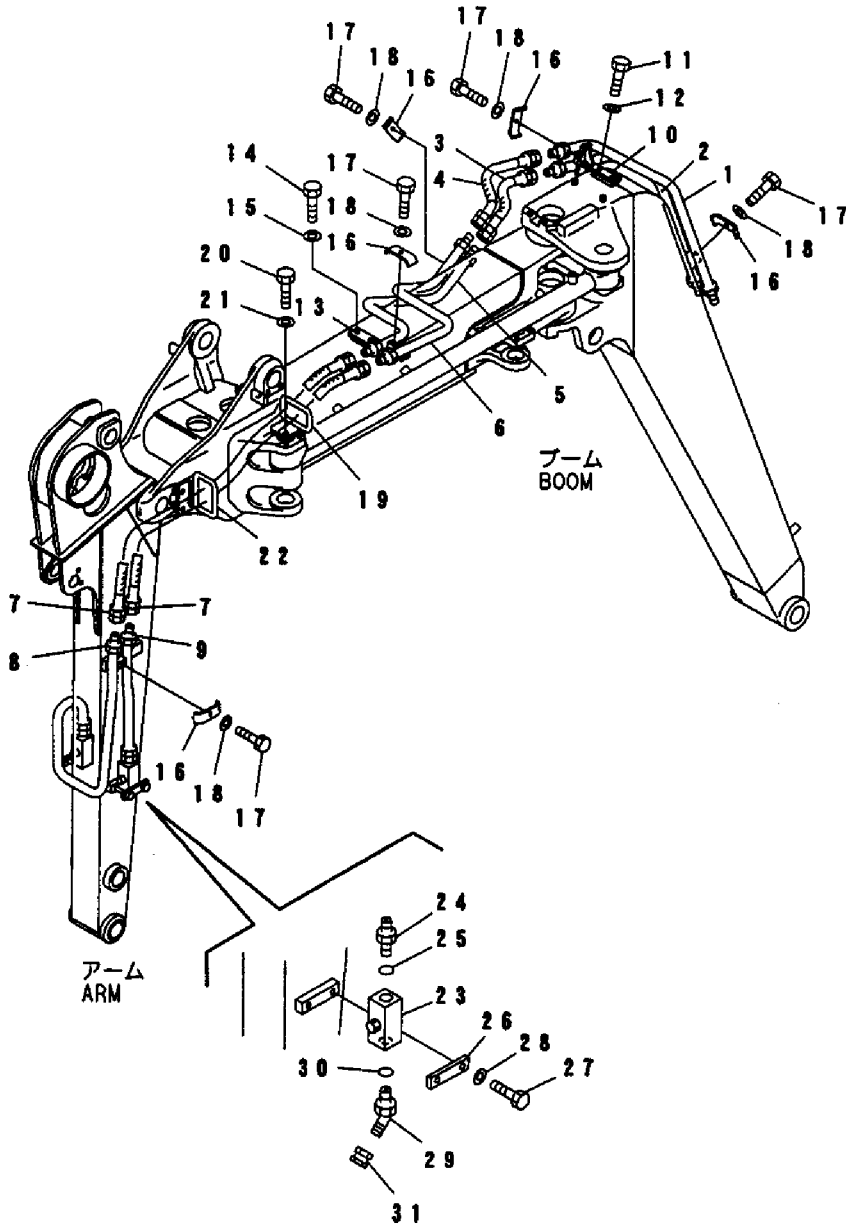
1,1,,182901-30600,,PIN,2,,,,,,,,,,,,,
2,1,,182900-25910,,SPACER,2,,,,,,,,,,,,,
3,1,,182900-25920,,RETAINER,2,,,,,,,,,,,,,
4,1,,182900-64870,,BOLT,6,,,,,,,,,,,,,
5,1,,953KM0-00222,,WASHER,6,,,,,,,,,,,,,
6,1,,182900-25950,,O-RING,4,,,,,,,,,,,,,
7,1,,24761-050000,, "NIPPLE C,GREASE",2,,,,,,,,,,,,,

Fig. 191 バケットピン (調整付)
BUCKET PIN (WITH ADJUST)



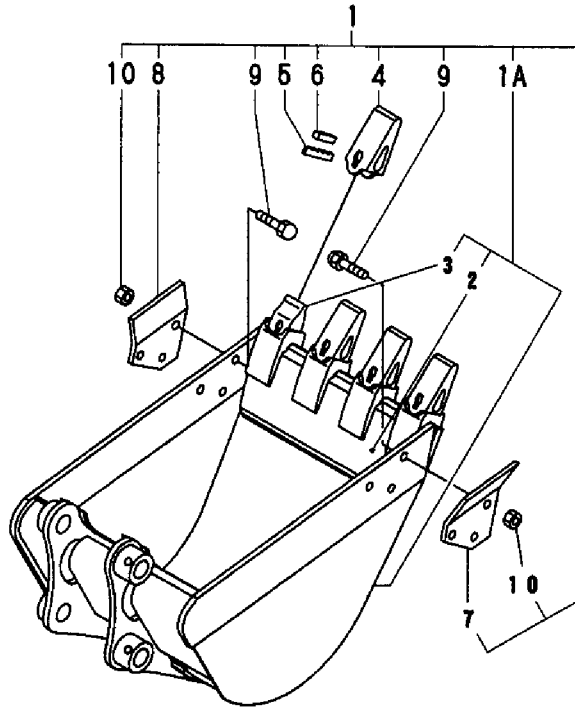
1,1,,182901-36670,,TUBE,1,,,,,,,,,,,,,
2,1,,182901-36680,,TUBE,1,,,,,,,,,,,,,
3,1,,182901-29660,,HOSE,1,,,,,,,,,,,,,
4,1,,182901-36760,,HOSE,1,,,,,,,,,,,,,
5,1,,182901-36690,,TUBE,1,,,,,,,,,,,,,
6,1,,182901-36700,,TUBE,1,,,,,,,,,,,,,
7,1,,182901-36770,,HOSE,2,,,,,,,,,,,,,
8,1,,182901-36710,,TUBE,1,,,,,,,,,,,,,
9,1,,182901-36720,,TUBE,1,,,,,,,,,,,,,
10,1,,182901-36800,,BRACKET,1,,,,,,,,,,,,,
11,1,,182900-64860,,BOLT,2,,,,,,,,,,,,,
12,1,,953KM0-00222,,WASHER,2,,,,,,,,,,,,,
13,1,,182901-36780,,BRACKET,1,,,,,,,,,,,,,
14,1,,182900-64860,,BOLT,2,,,,,,,,,,,,,
15,1,,953KM0-00222,,WASHER,2,,,,,,,,,,,,,
16,1,,182900-72360,,CLAMP,5,,,,,,,,,,,,,
17,1,,182900-64860,,BOLT,5,,,,,,,,,,,,,
18,1,,953KM0-00222,,WASHER,5,,,,,,,,,,,,,
19,1,,182901-36790,,BRACKET,1,,,,,,,,,,,,,
19-1,1,,182901-51410,,BRACKET,1,,,,,S,,*,M/#10504,,,,,,,,,,,,,I
20,1,,182900-69890,, "BOLT, SHOE",1,,,,,,,,,,,,,
21,1,,953KM0-00048,,WASHER,1,,,,,,,,,,,,,
22,1,,182901-36810,,BRACKET,1,,,,,,,,,,,,,
23,1,,182901-37110,, "VALVE ASS'Y",2,,,,,,,,,,,,,
24,1,,182900-11690,,UNION,2,,,,,,,,,,,,,
25,1,,953KM0-00389,,O-RING,2,,,,,,,,,,,,,
26,1,,182901-30160,,STOPPER,2,,,,,,,,,,,,,
27,1,,182900-68050,,BOLT,4,,,,,,,,,,,,,
28,1,,953KM0-00222,,WASHER,4,,,,,,,,,,,,,
29,1,,182901-31290,,ELBOW,2,,,,,,,,,,,,,
30,1,,953KM0-00389,,O-RING,2,,,,,,,,,,,,,
31,1,,182901-32050,,PLUG,2,,,,,,,,,,,,,

Fig. 192 油圧配管 (ブーム&アーム, アタッチメント)
 HYD. OIL PIPING (BOOM & ARM, ATTACHMENT)



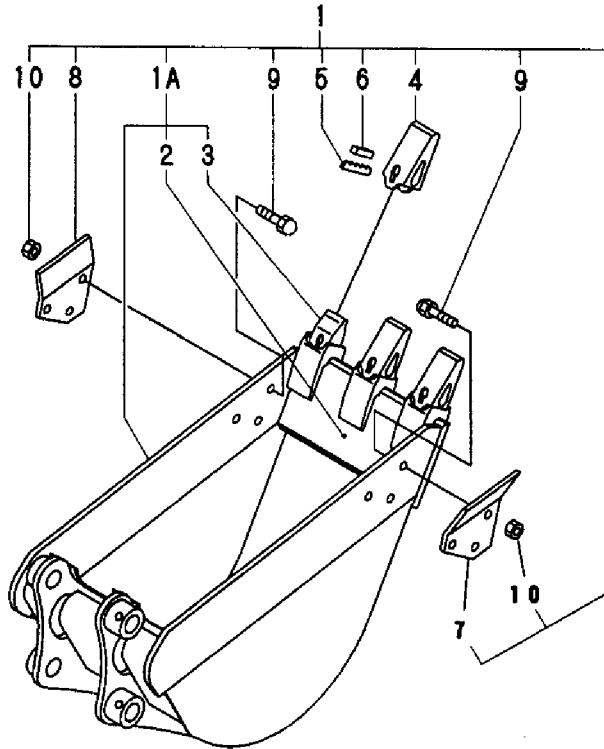
1,1,,182900-25470,, "BUCKET ASS'Y",1,,,,,,,,,,,,,
1A,2,,182900-44050,,BUCKET,1,,,,,,,,,,,,,
2,3,,182900-44060,,LIP,1,,,,,,,,,,,,,
3,3,,182900-23320,,ADAPTER,4,,,,,,,,,,,,,
4,2,,182900-26580,,TOOTH,4,,,,,,,,,,,,,
5,2,,182900-23330,,PIN,4,,,,,,,,,,,,,
6,2,,182900-23340,,LOCK,4,,,,,,,,,,,,,
7,2,,953KM0-03607,, "CUTTER,SIDE, L.H.",1,,,,,,,,,,,,,
8,2,,953KM0-03608,, "CUTTER,SIDE, R.H.",1,,,,,,,,,,,,,
9,2,,182900-49380,,BOLT,6,,,,,,,,,,,,,
10,2,,953KM0-04286,,NUT,6,,,,,,,,,,,,,

Fig. **193** バケット0.08m³(ミニ0.14m³) 幅500mm
(縦ピンタイプ) (調整)
BUCKET 0.08m³(MINI 0.14m³) WIDTH 500mm
(VERTICAL TYPE) (ADJUST)



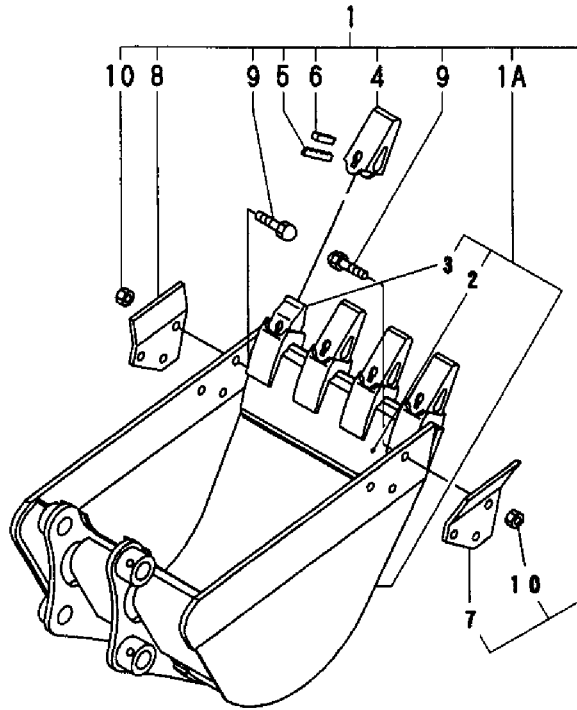
1,1,,182900-26090,, "BUCKET ASS'Y",1,,,,,,,,,,,,,
1A,2,,182900-26100,,BUCKET,1,,,,,,,,,,,,,
2,3,,182901-30660,,LIP,1,,,,,,,,,,,,,
3,3,,182900-23320,,ADAPTER,3,,,,,,,,,,,,,
4,2,,182900-26580,,TOOTH,3,,,,,,,,,,,,,
5,2,,182900-23330,,PIN,3,,,,,,,,,,,,,
6,2,,182900-23340,,LOCK,3,,,,,,,,,,,,,
7,2,,953KM0-03607,, "CUTTER,SIDE, L.H.",1,,,,,,,,,,,,,
8,2,,953KM0-03608,, "CUTTER,SIDE, R.H.",1,,,,,,,,,,,,,
9,2,,182900-49380,,BOLT,6,,,,,,,,,,,,,
10,2,,953KM0-04286,,NUT,6,,,,,,,,,,,,,

Fig. **194** バケット0.05m³(ミニ0.08m³)幅425mm
(縦ピンタイプ) (調整)
BUCKET 0.05m³(MINI 0.08m³) WIDTH 425mm
(VERTICAL TYPE) (ADJUST)



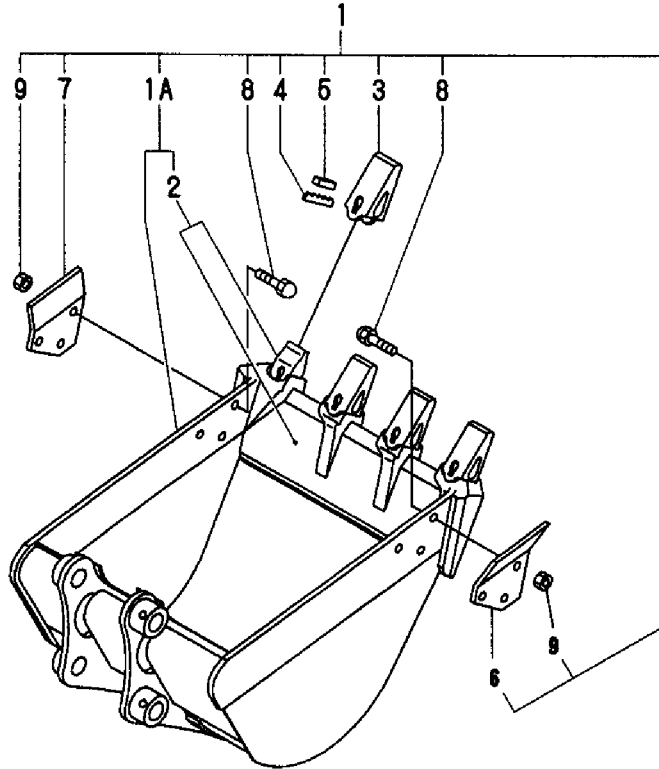
1,1,,182900-25800,, "BUCKET ASS'Y",1,,,,,,,,,,,,,
1A,2,,182901-30630,,BUCKET,1,,,,,,,,,,,,,
2,3,,182900-25990,,LIP,1,,,,,,,,,,,,,
3,3,,182900-23320,,ADAPTER,4,,,,,,,,,,,,,
4,2,,182900-26580,,TOOTH,4,,,,,,,,,,,,,
5,2,,182900-23330,,PIN,4,,,,,,,,,,,,,
6,2,,182900-23340,,LOCK,4,,,,,,,,,,,,,
7,2,,182901-30560,,CUTTER,1,,,,,,,,,,,,,
8,2,,182901-30570,,CUTTER,1,,,,,,,,,,,,,
9,2,,182900-49380,,BOLT,6,,,,,,,,,,,,,
10,2,,953KM0-04286,,NUT,6,,,,,,,,,,,,,

Fig. **195** バケット0.10m³(ミニ0.18m³)幅600mm
(縦ピンタイプ) (調整)
BUCKET 0.10m³(MINI 0.18m³) WIDTH 600mm
(VERTICAL TYPE) (ADJUST)



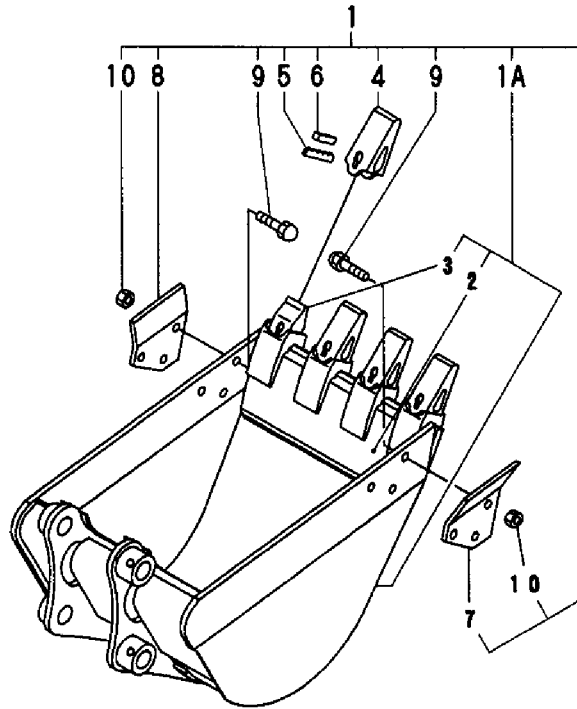
1,1,,182901-39350,, "BUCKET ASS'Y",1,,,,,,,,,,,,,
1A,2,,182901-39380,,BUCKET,1,,,,,,,,,,,,,
2,3,,182901-40520,, "LIP ADAPTER",1,,,,,,,,,,,,,
3,2,,182900-26580,,TOOTH,4,,,,,,,,,,,,,
4,2,,182900-23330,,PIN,4,,,,,,,,,,,,,
5,2,,182900-23340,,LOCK,4,,,,,,,,,,,,,
6,2,,182901-30560,,CUTTER,1,,,,,,,,,,,,,
7,2,,182901-30570,,CUTTER,1,,,,,,,,,,,,,
8,2,,182900-49380,,BOLT,6,,,,,,,,,,,,,
9,2,,953KM0-04286,,NUT,6,,,,,,,,,,,,,

Fig. **196** バケット0.10m³(ミニ0.18m³)幅600mm
(縦ピンタイプ)
BUCKET 0.10m³(MINI 0.18m³) WIDTH 600mm
(VERTICAL TYPE)



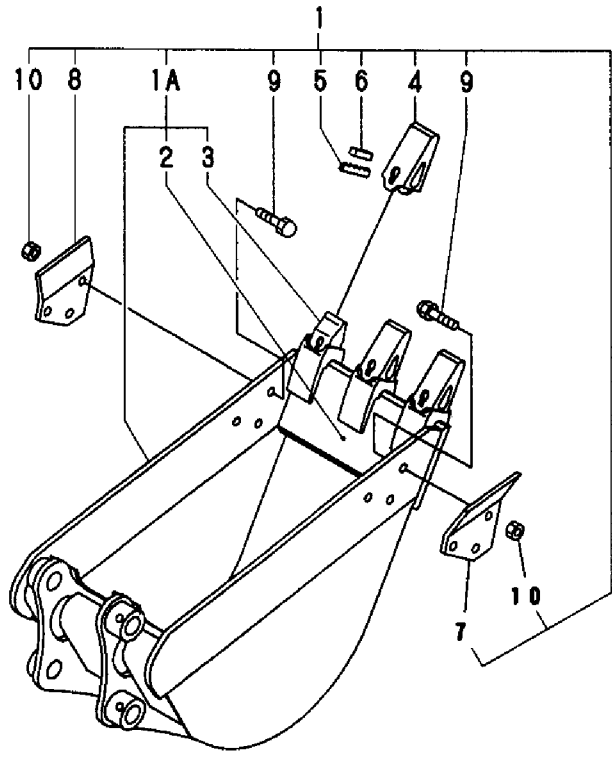
1,1,,182901-39400,, "BUCKET ASS'Y",1,,,,,,,,,,,,,
1A,2,,182901-39430,, BUCKET,1,,,,,,,,,,,,,
2,3,,182900-44060,, LIP,1,,,,,,,,,,,,,
3,3,,182900-23320,, ADAPTER,4,,,,,,,,,,,,,
4,2,,182900-26580,, TOOTH,4,,,,,,,,,,,,,
5,2,,182900-23330,, PIN,4,,,,,,,,,,,,,
6,2,,182900-23340,, LOCK,4,,,,,,,,,,,,,
7,2,,182901-30560,, CUTTER,1,,,,,,,,,,,,,
8,2,,182901-30570,, CUTTER,1,,,,,,,,,,,,,
9,2,,182900-49380,, BOLT,6,,,,,,,,,,,,,
10,2,,953KM0-04286,, NUT,6,,,,,,,,,,,,,

Fig. **197** バケット0.08m³(ミニ0.14m³)幅500mm
(縦ピンタイプ)
BUCKET 0.08m³(MINI 0.14m³) WIDTH 500mm
(VERTICAL TYPE)



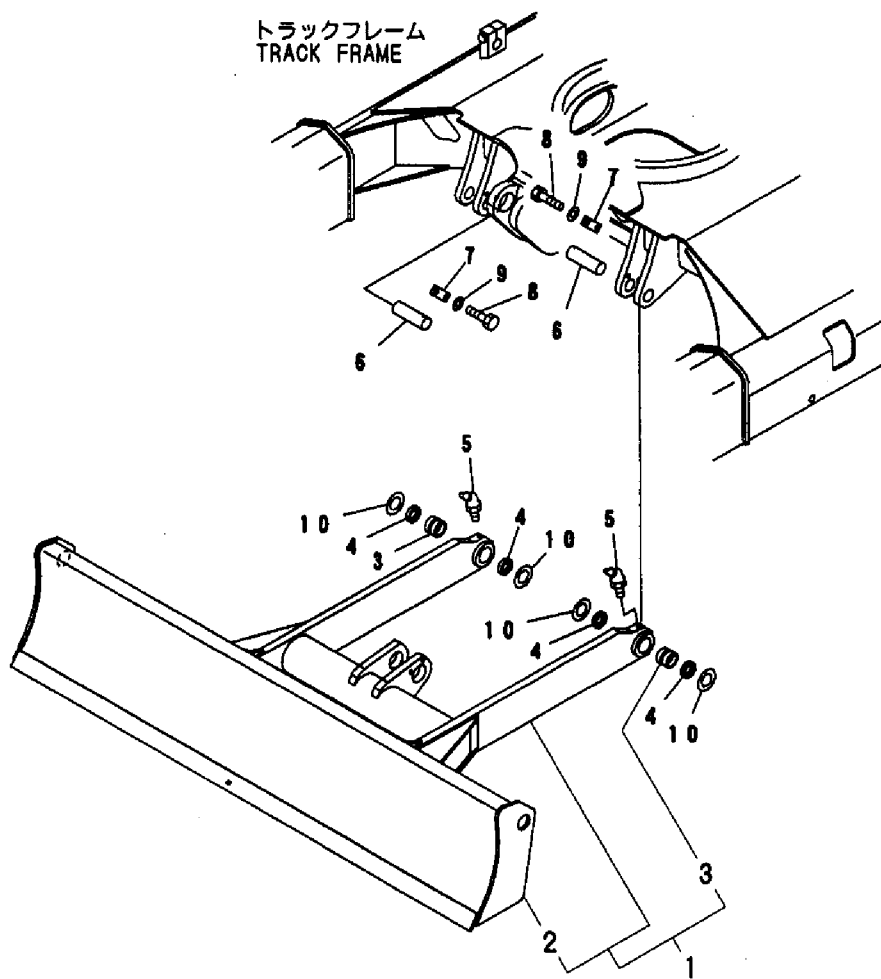
1,1,,182901-39410,, "BUCKET ASS'Y",1,,,,,,,,,,,,,
1A,2,,182901-39440,, BUCKET,1,,,,,,,,,,,,,
2,3,,182901-30660,, LIP,1,,,,,,,,,,,,,
3,3,,182900-23320,, ADAPTER,3,,,,,,,,,,,,,
4,2,,182900-26580,, TOOTH,3,,,,,,,,,,,,,
5,2,,182900-23330,, PIN,3,,,,,,,,,,,,,
6,2,,182900-23340,, LOCK,3,,,,,,,,,,,,,
7,2,,182901-30560,, CUTTER,1,,,,,,,,,,,,,
8,2,,182901-30570,, CUTTER,1,,,,,,,,,,,,,
9,2,,182900-49380,, BOLT,6,,,,,,,,,,,,,
10,2,,953KM0-04286,, NUT,6,,,,,,,,,,,,,

Fig. **198** バケット0.05m³(ミニ0.08m³) 幅425mm
(縦ピンタイプ)
BUCKET 0.05m³(MINI 0.08m³) WIDTH 425mm
(VERTICAL TYPE)



1,1,,182901-36580,, "BLADE ASS'Y",1,,,,,,,,,,,,,
2,3,,182901-39390,, EDGE,1,,,,,,,,,,,,,
3,2,,182900-69390,, BUSHING,2,,,,,,,,,,,,,
4,1,,172510-93950,, "SEAL 35X45X4, DUST",4,,,,,,,,,,,,,
5,1,,24761-040000,, "NIPPLE B,GREASE",2,,,,,,,,,,,,,
6,1,,182900-25850,, PIN,2,,,,,,,,,,,,,
7,1,,953KM0-12130,, LOCK,2,,,,,,,,,,,,,
8,1,,182900-64730,, BOLT,4,,,,,,,,,,,,,
9,1,,953KM0-00048,, WASHER,4,,,,,,,,,,,,,
10,1,,182901-30920,, "SPACER, 1.0MM",4,,,,,,,,,,,,,

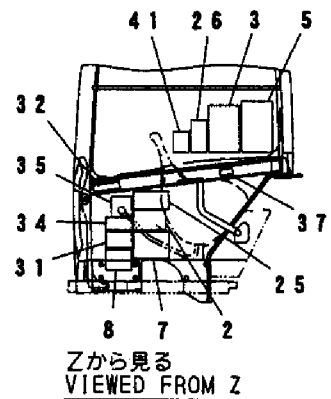
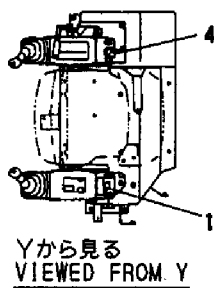
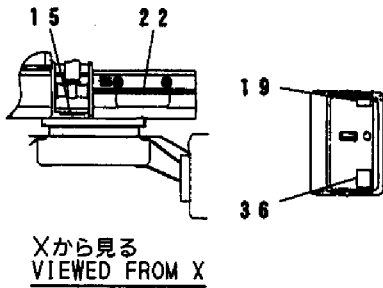
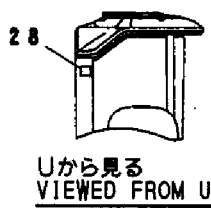
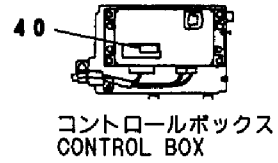
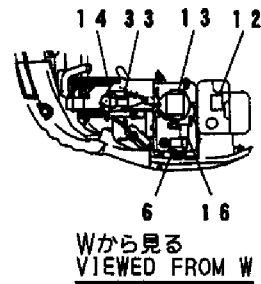
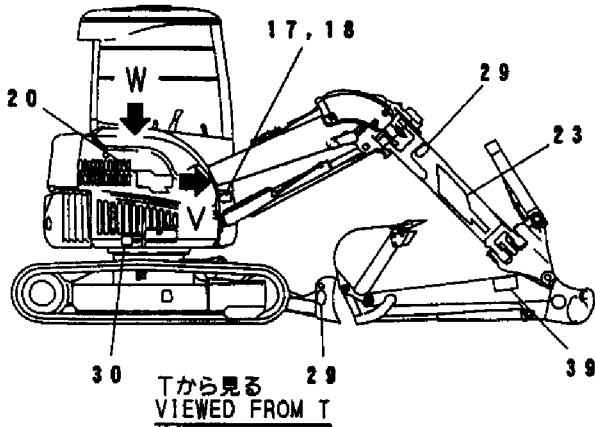
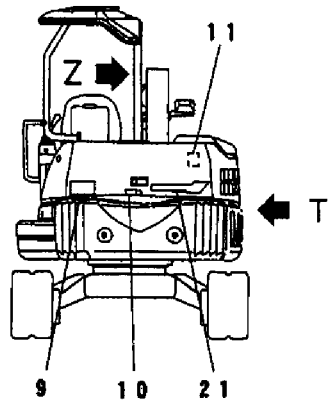
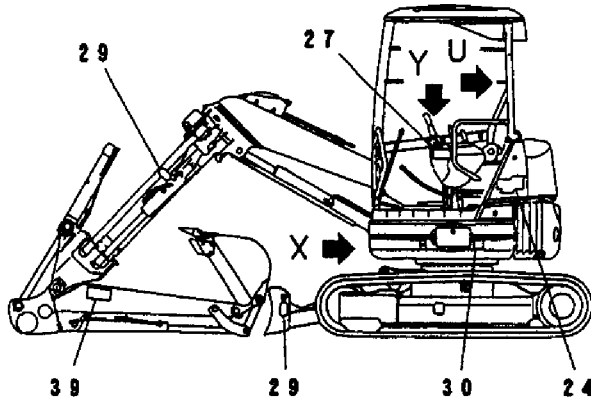
Fig. 199 ブレード
BLADE



1,1,,182901-41620,, "CYLINDER ASS'Y",1,,,,,,,,,,,,,
1A,2,,182901-42640,, CYLINDER,1,,,,,,,,,,,,,
2,2,,182900-69400,, BUSHING,1,,,,,,,,,,,,,
3,2,,172511-91320,, "SEAL 50X60X4, DUST",2,,,,,,,,,,,,,
4,2,,24761-020000,, "NIPPLE PT1/8,GREASE",1,,,,,,,,,,,,,
5,2,,182900-31740,, HEAD,1,,,,,,,,,,,,,
6,2,,953KM0-00472,, BUSHING,1,,,,,,,,,,,,,
7,2,,953KM0-01748,, "PACKING, ROD",1,,,,,,,,,,,,,
8,2,,953KM0-00617,, "SEAL, ROD",1,,,,,,,,,,,,,
9,2,,182900-14300,, RING,1,,,,,,,,,,,,,
10,2,,24325-000850,, "O-RING 1B G-85.0",1,,,,,,,,,,,,,
11,2,,953KM0-12247,, "RING,BACK-UP",1,,,,,,,,,,,,,
12,2,,24325-000900,, "O-RING 1B G-90.0",1,,,,,,,,,,,,,
13,2,,182901-42650,, ROD,1,,,,,,,,,,,,,
14,2,,182900-69400,, BUSHING,1,,,,,,,,,,,,,
15,2,,172511-91320,, "SEAL 50X60X4, DUST",2,,,,,,,,,,,,,
16,2,,24761-040000,, "NIPPLE B,GREASE",1,,,,,,,,,,,,,
17,2,,182900-31800,, PISTON,1,,,,,,,,,,,,,
18,2,,182900-31850,, RING,1,,,,,,,,,,,,,
19,2,,182900-24800,, RING,1,,,,,,,,,,,,,
20,2,,182900-24480,, NUT,1,,,,,,,,,,,,,
21,1,,182900-31950,, "SERVICE KIT",1,,,,,1,,,,,,,,,,,,,
22,1,,182901-36610,, COVER,1,,,,,,,,,,,,,
23,1,,182900-68000,, BOLT,4,,,,,,,,,,,,,
24,1,,953KM0-00222,, WASHER,4,,,,,,,,,,,,,
25,1,,182900-26020,, PIN,2,,,,,,,,,,,,,
25-1,1,,182901-51340,, PIN,2,,,,,N,,*,M/#11001,,,,,,,,,,,,,I
26,1,,953KM0-12130,, LOCK,2,,,,,,,,,,,,,
27,1,,182900-64730,, BOLT,4,,,,,,,,,,,,,
28,1,,953KM0-00048,, WASHER,4,,,,,,,,,,,,,
29,1,,182901-17840,, SPACER,3,,,,,,,,,,,,,

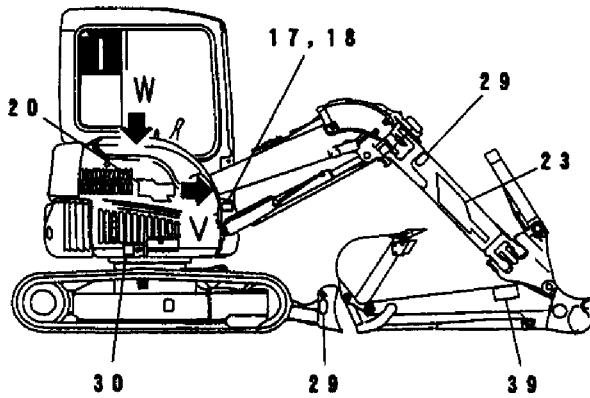
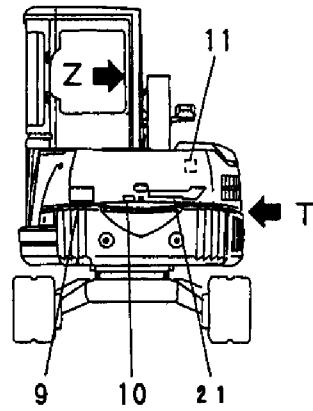
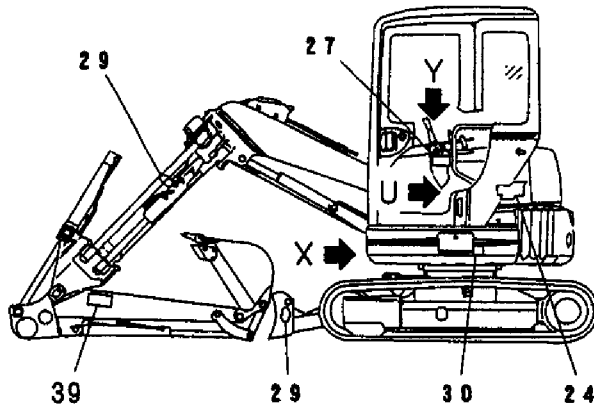
1,1,,182901-30970,, "PLATE, OPERATING",1,,,,,,,,,,,,,
2,1,,182901-37600,, PLATE,1,,,,,,,,,,,,,
2-1,1,,182901-51510,, PLATE,1,,,,,S,,*,M/#10509,,,,,,,,,I
3,1,,182901-37560,, "PLATE, CAUTION",1,,,,,,,,,,,,,
4,1,,953KM0-04172,, "PLATE, STARTING SWITC",1,,,,,,,,,,,,,
5,1,,182901-37550,, PLATE,1,,,,,,,,,,,,,
6,1,,182900-47630,, PLATE,1,,,,,,,,,,,,,
7,1,,182901-37610,, MARK,1,,,,,,,,,,,,,
8,1,,182901-37620,, MARK,1,,,,,,,,,,,,,
9,1,,182901-17940,, "PLATE, SAFETY",1,,,,,,,,,,,,,
10,1,,182901-17970,, "PLATE, SAFETY",1,,,,,,,,,,,,,
11,1,,182900-49890,, PLATE,1,,,,,,,,,,,,,
12,1,,953KM0-04173,, "PLATE, CAUTION CW.DRA",1,,,,,,,,,,,,,
13,1,,182901-25350,, LABEL,1,,,,,,,,,,,,,
14,1,,182901-17980,, "PLATE, SAFETY",1,,,,,,,,,,,,,
15,1,,953KM0-04168,, "PLATE, LUBRICATING",1,,,,,,,,,,,,,
16,1,,182901-17980,, "PLATE, SAFETY",1,,,,,,,,,,,,,
17,1,,182901-37590,, PLATE,1,,,,,,,,,,,,,
18,1,,172519-04350,, "SCREW 3X6",4,,,,,,,,,,,,,
19,1,,182900-27050,, "PLATE, CAUTION",1,,,,,,,,,,,,,
20,1,,182900-31190,, "PLATE, MARK",1,,,,,,,,,,,,,
21,1,,182900-31220,, "PLATE, MARK",1,,,,,,,,,,,,,
22,1,,182900-41490,, "PLATE, MARK",1,,,,,,,,,,,,,
23,1,,182901-37630,, PLATE,1,,,,,,,,,,,,,
24,1,,182900-31180,, "PLATE, MARK",1,,,,,,,,,,,,,
25,1,,182901-17930,, "PLATE, WARNING",1,,,,,,,,,,,,,
26,1,,182901-18010,, "PLATE, MARK",1,,,,,,,,,,,,,
27,1,,182900-49630,, TAG,1,,,,,,,,,,,,,
27-1,1,,182901-50310,, TAG,1,,,,,S,,*,M/#10509,,,,,,,,,I
28,1,,182900-23640,, PLATE,1,,,,,,,,,,,,,
29,1,,182901-23780,, "PLATE, MARK",4,,,,,,,,,,,,,
30,1,,182901-23790,, "PLATE, MARK",2,,,,,,,,,,,,,
31,1,,182901-37540,, "PLATE, CAUTION",1,,,,,,,,,,,,,
32,1,,182901-18000,, "PLATE, SAFETY",1,,,,,,,,,,,,,
33,1,,182900-25330,, "PLATE, CAUTION",1,,,,,,,,,,,,,
34,1,,182900-47710,, "PLATE, WARNING",1,,,,,,,,,,,,,
35,1,,182900-47720,, "PLATE, WARNING",1,,,,,,,,,,,,,
36,1,,182900-27060,, "PLATE, OPERATING",1,,,,,,,,,,,,,
37,1,,182900-27090,, "PLATE, OPERATING",1,,,,,,,,,,,,,
38,1,,182901-17960,, "PLATE, SAFETY",1,,,,,,,,,,,,,
39,1,,182901-17950,, "PLATE, SAFETY",2,,,,,,,,,,,,,
40,1,,182901-37640,, PLATE,1,,,,,,,,,,,,,
41,1,,182900-44110,, "PLATE, CAUTION",1,,,,,,,,,,,,,

Fig. 201 銘板&プレート (キャノピ) LABEL & PLATE (CANOPY)

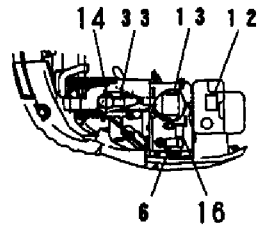


1,1,,182901-30970,, "PLATE, OPERATING",1,,,,,,,,,,,,,
2,1,,182901-37600,, PLATE,1,,,,,,,,,,,,,
2-1,1,,182901-51510,, PLATE,1,,,,,S,,*,M/#10509,,,,,,,,,I
3,1,,182901-37560,, "PLATE, CAUTION",1,,,,,,,,,,,,,
4,1,,953KM0-04172,, "PLATE,STARTING SWITC",1,,,,,,,,,,,,,
5,1,,182901-37550,, PLATE,1,,,,,,,,,,,,,
6,1,,182900-47630,, PLATE,1,,,,,,,,,,,,,
7,1,,182901-37610,, MARK,1,,,,,,,,,,,,,
8,1,,182901-37620,, MARK,1,,,,,,,,,,,,,
9,1,,182901-17940,, "PLATE, SAFETY",1,,,,,,,,,,,,,
10,1,,182901-17970,, "PLATE, SAFETY",1,,,,,,,,,,,,,
11,1,,182900-49890,, PLATE,1,,,,,,,,,,,,,
12,1,,953KM0-04173,, "PLATE,CAUTION CW.DRA",1,,,,,,,,,,,,,
13,1,,182901-25350,, LABEL,1,,,,,,,,,,,,,
14,1,,182901-17980,, "PLATE, SAFETY",1,,,,,,,,,,,,,
15,1,,953KM0-04168,, "PLATE,LUBRICATING",1,,,,,,,,,,,,,
16,1,,182901-17980,, "PLATE, SAFETY",1,,,,,,,,,,,,,
17,1,,182901-37590,, PLATE,1,,,,,,,,,,,,,
18,1,,172519-04350,, "SCREW 3X6",4,,,,,,,,,,,,,
19,1,,182900-27050,, "PLATE, CAUTION",1,,,,,,,,,,,,,
20,1,,182900-31190,, "PLATE, MARK",1,,,,,,,,,,,,,
21,1,,182900-31220,, "PLATE, MARK",1,,,,,,,,,,,,,
22,1,,182900-41490,, "PLATE, MARK",1,,,,,,,,,,,,,
23,1,,182901-37630,, PLATE,1,,,,,,,,,,,,,
24,1,,182900-31180,, "PLATE, MARK",1,,,,,,,,,,,,,
25,1,,182901-17930,, "PLATE, WARNING",1,,,,,,,,,,,,,
26,1,,182901-18010,, "PLATE, MARK",1,,,,,,,,,,,,,
27,1,,182900-49630,, TAG,1,,,,,,,,,,,,,
27-1,1,,182901-50310,, TAG,1,,,,,S,,*,M/#10509,,,,,,,,,I
28,1,,182900-23640,, PLATE,1,,,,,,,,,,,,,
29,1,,182901-23780,, "PLATE, MARK",4,,,,,,,,,,,,,
30,1,,182901-23790,, "PLATE, MARK",2,,,,,,,,,,,,,
31,1,,182901-37540,, "PLATE, CAUTION",1,,,,,,,,,,,,,
32,1,,182901-18000,, "PLATE, SAFETY",1,,,,,,,,,,,,,
33,1,,182900-25330,, "PLATE, CAUTION",1,,,,,,,,,,,,,
34,1,,182900-47710,, "PLATE, WARNING",1,,,,,,,,,,,,,
35,1,,182900-47720,, "PLATE, WARNING",1,,,,,,,,,,,,,
36,1,,182900-27060,, "PLATE, OPERATING",1,,,,,,,,,,,,,
37,1,,182900-27090,, "PLATE, OPERATING",1,,,,,,,,,,,,,
38,1,,182901-17960,, "PLATE, SAFETY",1,,,,,,,,,,,,,
39,1,,182901-17950,, "PLATE, SAFETY",2,,,,,,,,,,,,,
40,1,,182901-37640,, PLATE,1,,,,,,,,,,,,,
41,1,,182900-44110,, "PLATE, CAUTION",1,,,,,,,,,,,,,

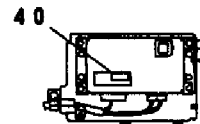
Fig. 202 銘板&プレート (キャビン) LABEL & PLATE (CABIN)



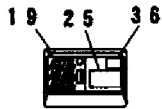
Tから見る
VIEWED FROM T



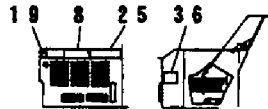
Wから見る
VIEWED FROM W



コントロールボックス
CONTROL BOX

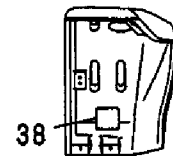


エアコンナシ
WITHOUT AIR CON

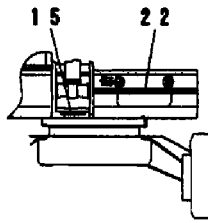


エアコンツキ
WITH AIR CON

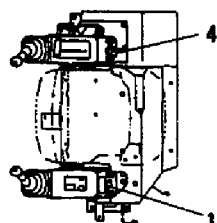
Uから見る
VIEWED FROM U



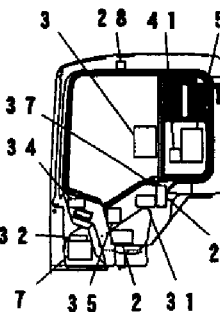
Vから見る
VIEWED FROM V



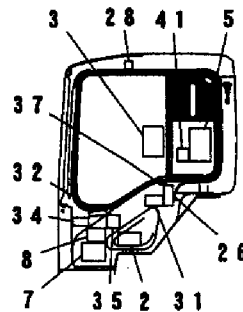
Xから見る
VIEWED FROM X



Yから見る
VIEWED FROM Y



エアコンツキ
WITH AIR CON

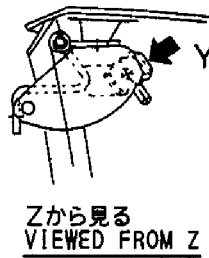
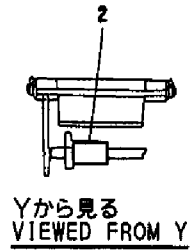
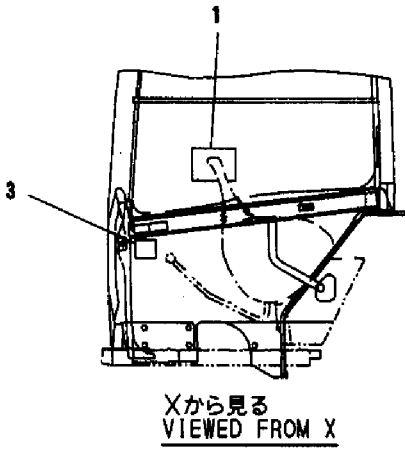
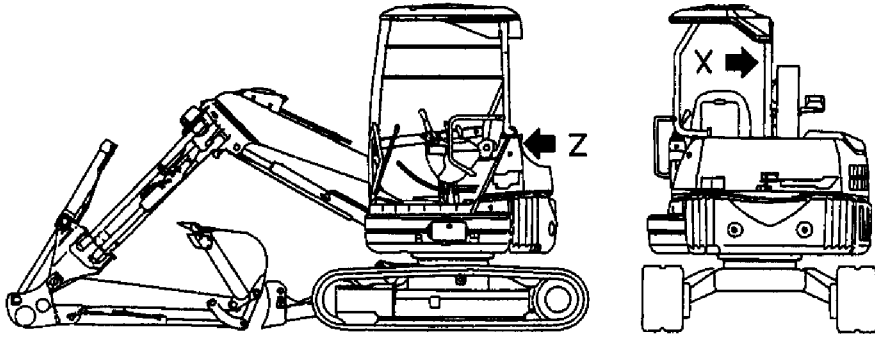


エアコンナシ
WITHOUT AIR CON

Zから見る
VIEWED FROM Z

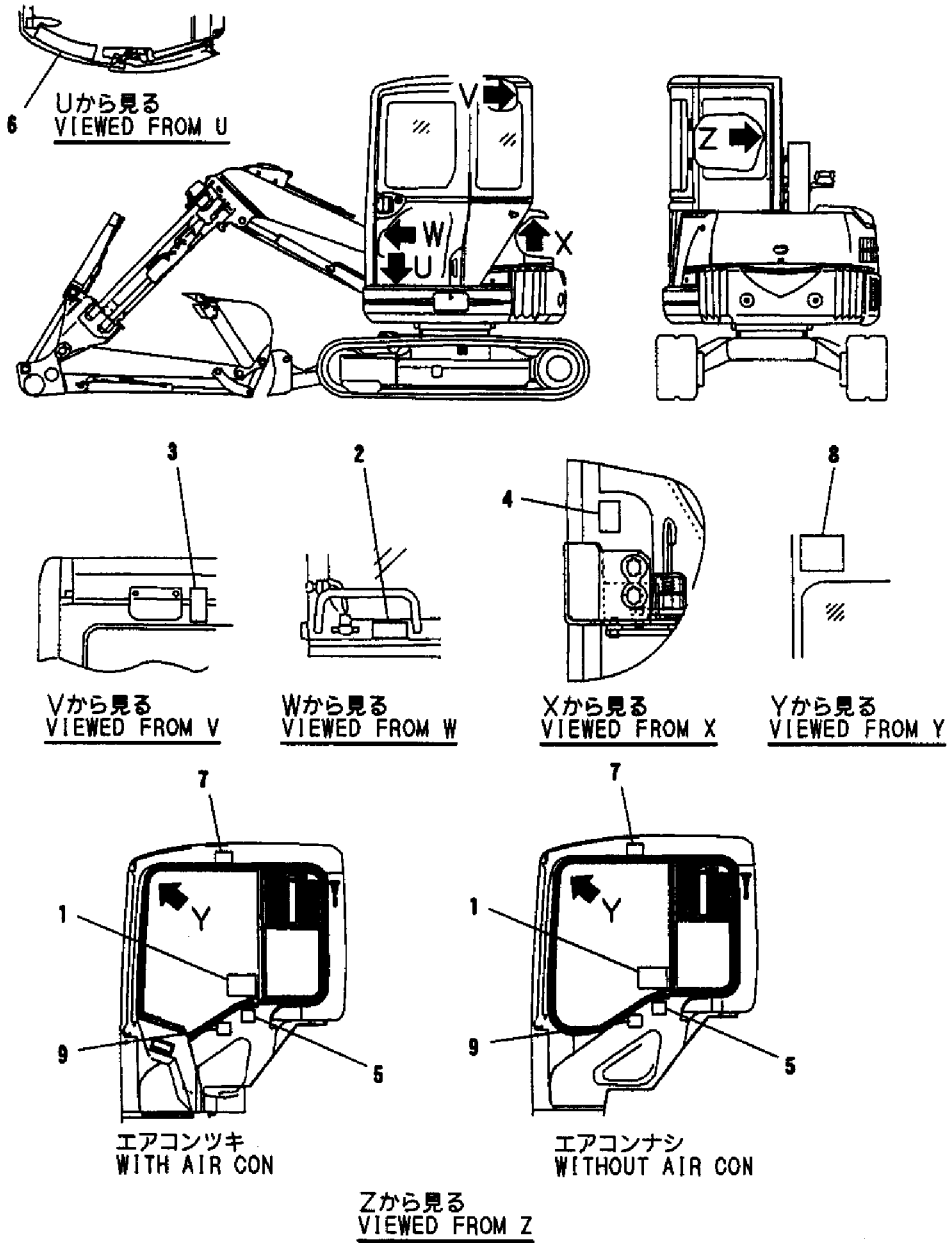
1,1,,182900-41540,, "PLATE, OPERATING",1,,,,,,,,,,,,,
2,1,,182901-22650,, "PLATE, CAUTION",1,,,,,,,,,,,,,
3,1,,182900-83660,, "PLATE, SAFETY",1,,,,,,,,,,,,,

Fig. 203 銘板 (キャノピ)
LABEL (CANOPY)



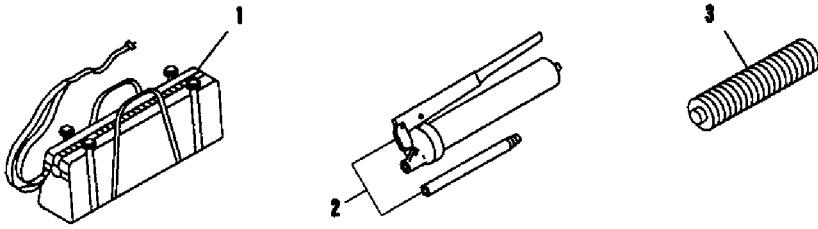
1,1,,182900-41540,, "PLATE, OPERATING",1,,,,,,,,,,,,,
2,1,,182900-41730,, "PLATE, CAUTION",1,,,,,,,,,,,,,
3,1,,182901-25310,, LABEL,1,,,,,,,,,,,,,
4,1,,182901-32100,, "PLATE, CAUTION",1,,,,,,,,,,,,,
5,1,,182901-25300,, LABEL,1,,,,,,,,,,,,,
6,1,,182900-37000,, SHEET,1,,,,,,,,,,,,,
7,1,,182901-32110,, "PLATE, CAUTION",1,,,,,,,,,,,,,
8,1,,182901-25290,, LABEL,1,,,,,,,,,,,,,
9,1,,182900-83660,, "PLATE, SAFETY",1,,,,,,,,,,,,,

Fig. 204 銘板 (キャビン) LABEL (CABIN)



1,1,,182900-27160,,BAG,1,,,,,,,,,,,,,
2,1,,182901-19680,,,"GREASE PUMP ASS'Y",1,,,,,,,,,,,,,
3,1,,953KM0-00539,,CARTRIDGE,1,,,,,,,,,,,,,

Fig. **205** 工具
TOOL



1,1,,182901-41210,, "PUMP ASS'Y",1,,,,,,,,1,,,,,,,,,
2,2,,182901-41230,, "PUMP SUB ASSY",1,,,,,,,,2,,,,,,,,,
2A,3,,182901-41260,, "CASE SUB ASS'Y",1,,,,,,,,,,,,,,,,,
4,3,,182901-29290,, BOLT,4,,,,,,,,,,,,,,,,,
5,3,,182901-29430,, PIN,1,,,,,,,,,,,,,,,,,
6,3,,24315-000090,, "O-RING 1B P- 9.0",4,,,,,,,,,,,,,,,,,
7,3,,182900-43090,, O-RING,1,,,,,,,,,,,,,,,,,
8,3,,182901-41270,, "CAP SUB ASS'Y",1,,,,,,,,,,,,,,,,,
10,3,,182901-41190,, BEARING,1,,,,,,,,,,,,,,,,,
11,3,,182900-23230,, PIN,1,,,,,,,,,,,,,,,,,
12,3,,182901-41390,, SPOOL,1,,,,,,,,,,,,,,,,,
13,3,,182901-41400,, SPRING,1,,,,,,,,,,,,,,,,,
14,3,,182901-41410,, PLUG,1,,,,,,,,,,,,,,,,,
15,4,,182901-29400,, NUT,1,,,,,,,,,,,,,,,,,
16,3,,182900-44580,, O-RING,1,,,,,,,,,,,,,,,,,
17,3,,182901-41600,, BALL,2,,,,,,,,,,,,,,,,,
19,3,,182901-41280,, SHAFT,1,,,,,,,,,,,,,,,,,
20,3,,182901-41290,, BEARING,1,,,,,,,,,,,,,,,,,
21,3,,182901-41200,, RING,1,,,,,,,,,,,,,,,,,
22,3,,182901-41300,, COVER,1,,,,,,,,,,,,,,,,,
23,3,,182901-40940,, SEAL,1,,,,,,,,,,,,,,,,,
24,3,,24325-000600,, "O-RING 1B G-60.0",1,,,,,,,,,,,,,,,,,
25,3,,182901-29450,, RING,1,,,,,,,,,,,,,,,,,

Fig. 206 油圧ポンプ (1) HYD. OIL PUMP (1)

油圧ポンプASSY
HYD. OIL PUMP ASSY
(182901-41210)

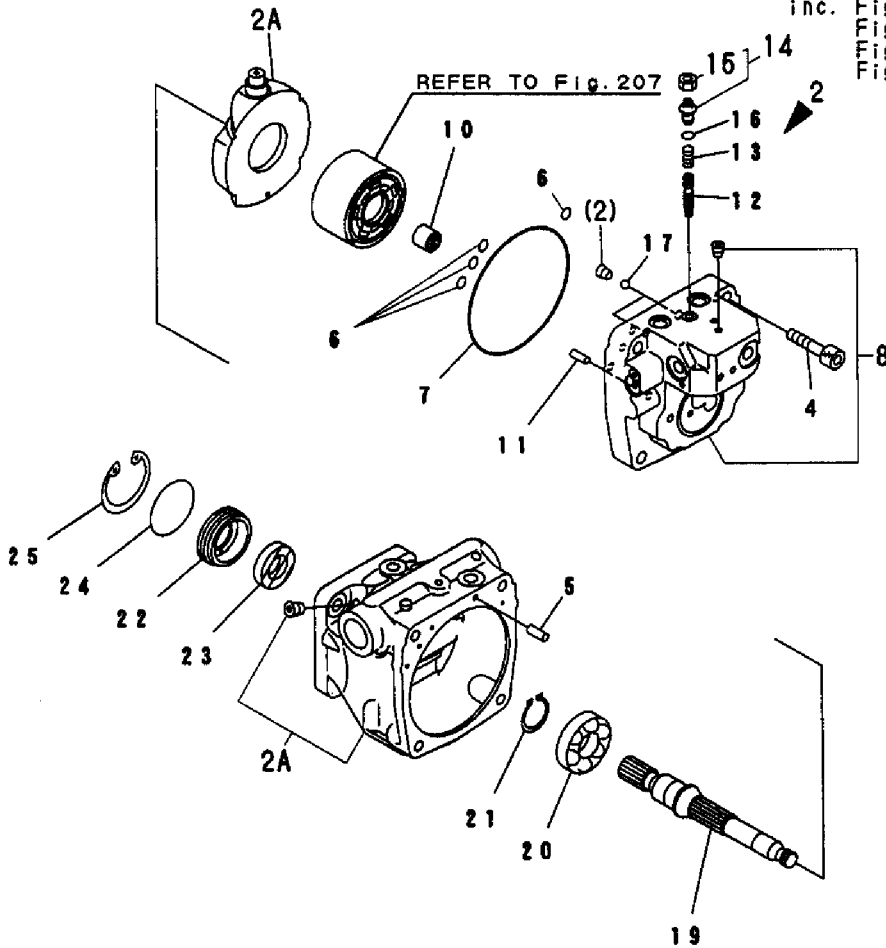
Fig. 206 REF. No. 1

inc. Fig. 206	REF. No. 2 ~ 25
Fig. 207	REF. No. 1 ~ 20
Fig. 208	REF. No. 1 ~ 7
Fig. 209	REF. No. 1 ~ 14
Fig. 210	REF. No. 1 ~ 15
Fig. 211	REF. No. 1 ~ 28

油圧ポンプサブASSY
HYD. OIL PUMP SUB. ASSY
(182901-41230)

Fig. 206 REF. No. 2

inc. Fig. 206	REF. No. (2) ~ 25
Fig. 207	REF. No. 1 ~ 20
Fig. 208	REF. No. 1 ~ 7
Fig. 209	REF. No. 1 ~ 14



1,3,,182901-41310,,BLOCK,1,,,,,,,,,,,,,
2,3,,182901-41340,,VALVE,1,,,,,,,,,,,,,
3,3,,182901-41330,,WASHER,2,,,,,,,,,,,,,
4,3,,182901-41320,,SPRING,1,,,,,,,,,,,,,
5,3,,22252-000350,, "CIRCLIP 35",1,,,,,,,,,,,,,
6,3,,182901-41370,,RETAINER,1,,,,,,,,,,,,,
7,3,,182901-41180,,PIN,3,,,,,,,,,,,,,
8,3,,182901-41360,,RETAINER,1,,,,,,,,,,,,,
9,3,,182901-41350,, "PISTON SUB ASS'Y",10,,,,,,,,,,,,,
10,3,,182901-41380,,BOLT,1,,,,,,,,,,,,,
11,3,,182901-29630,,O-RING,1,,,,,,,,,,,,,
12,3,,182901-40960,,PLUG,1,,,,,,,,,,,,,
13,4,,953KM0-10795,,NUT,1,,,,,,,,,,,,,
14,3,,953KM0-00390,,O-RING,1,,,,,,,,,,,,,
15,3,,182901-41020,,PLUG,1,,,,,,,,,,,,,
16,4,,182901-29400,,NUT,1,,,,,,,,,,,,,
17,3,,182900-44580,,O-RING,1,,,,,,,,,,,,,
18,3,,182901-41000,,SEAT,1,,,,,,,,,,,,,
19,3,,182901-40980,,SLIDER,1,,,,,,,,,,,,,
20,3,,182901-41080,,SEAT,1,,,,,,,,,,,,,

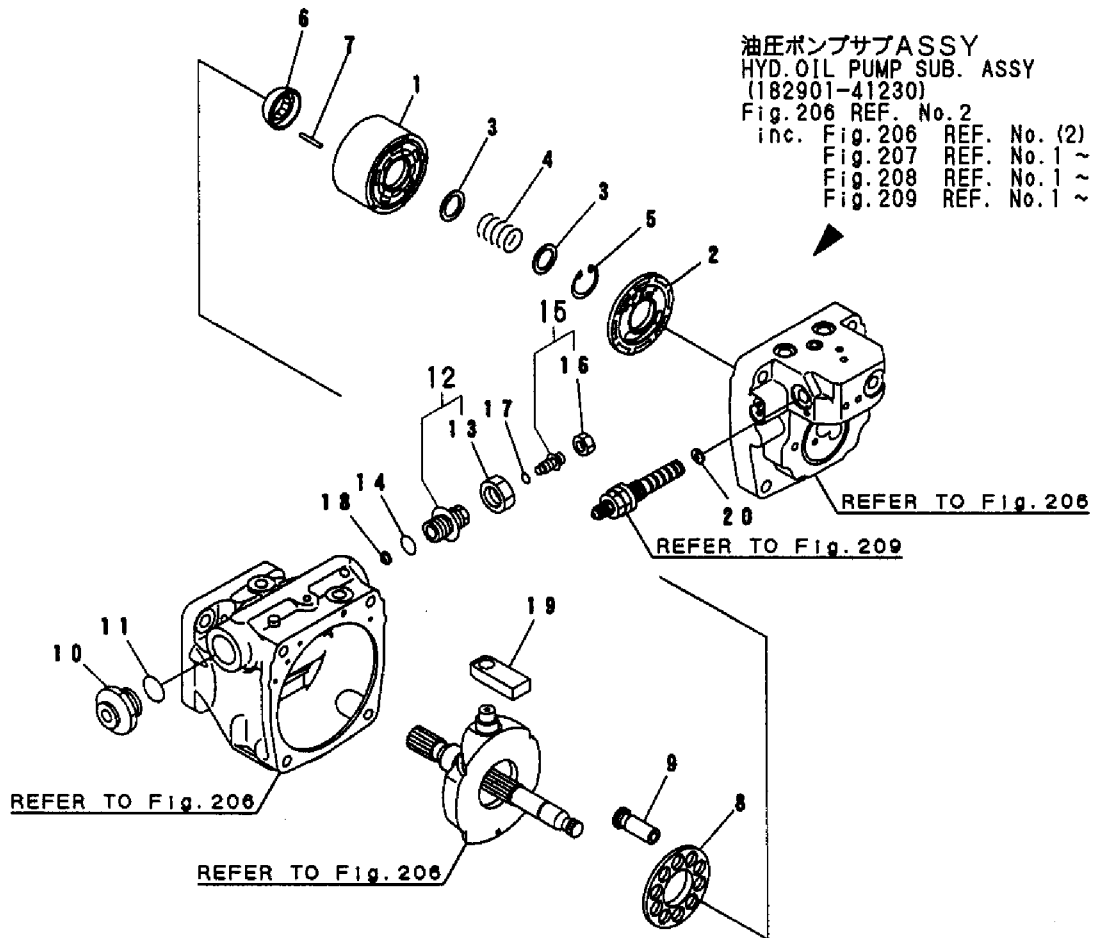
Fig. 207 油圧ポンプ (2) HYD. OIL PUMP (2)

油圧ポンプASSY
HYD. OIL PUMP ASSY
(182901-41210)

- Fig. 206 REF. No. 1
inc. Fig. 206 REF. No. 2 ~ 25
Fig. 207 REF. No. 1 ~ 20
Fig. 208 REF. No. 1 ~ 7
Fig. 209 REF. No. 1 ~ 14
Fig. 210 REF. No. 1 ~ 15
Fig. 211 REF. No. 1 ~ 28

油圧ポンプサブASSY
HYD. OIL PUMP SUB. ASSY
(182901-41230)

- Fig. 206 REF. No. 2
inc. Fig. 206 REF. No. (2) ~ 25
Fig. 207 REF. No. 1 ~ 20
Fig. 208 REF. No. 1 ~ 7
Fig. 209 REF. No. 1 ~ 14



1,3,,182901-41240,, "VALVE ASS'Y",1,,,,,,,,,,,,,
1A,4,,182901-40990,, PISTON,1,,,,,,,,,,,,,
2,4,,182901-40950,, PISTON,1,,,,,,,,,,,,,
3,4,,182901-41030,, PLUG,1,,,,,,,,,,,,,
4,4,,182901-41010,, PLUG,1,,,,,,,,,,,,,
5,4,,182901-40730,, SEAL,3,,,,,,,,,,,,,
6,4,,182901-41000,, SEAT,1,,,,,,,,,,,,,
7,4,,182901-40970,, SPRING,1,,,,,,,,,,,,,

Fig. 208 油圧ポンプ (3) HYD. OIL PUMP (3)

油圧ポンプASSY
HYD. OIL PUMP ASSY
(182901-41210)

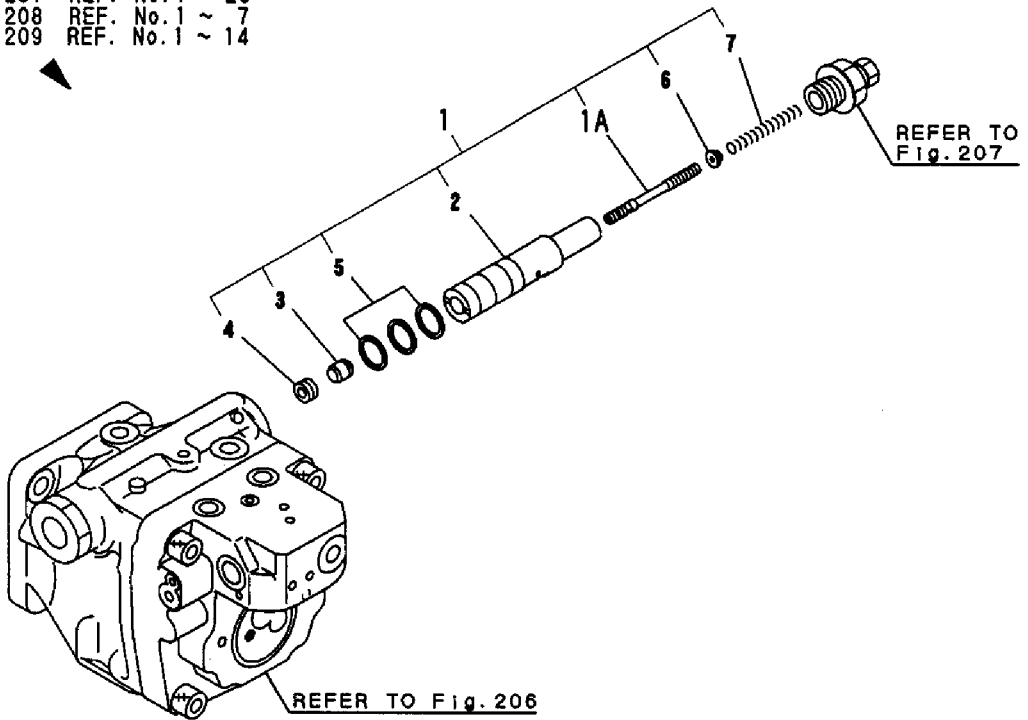
Fig. 206 REF. No. 1

- inc. Fig. 206 REF. No. 2 ~ 25
- Fig. 207 REF. No. 1 ~ 20
- Fig. 208 REF. No. 1 ~ 7
- Fig. 209 REF. No. 1 ~ 14
- Fig. 210 REF. No. 1 ~ 15
- Fig. 211 REF. No. 1 ~ 28

油圧ポンプサブASSY
HYD. OIL PUMP SUB. ASSY
(182901-41230)

Fig. 206 REF. No. 2

- inc. Fig. 206 REF. No. (2) ~ 25
- Fig. 207 REF. No. 1 ~ 20
- Fig. 208 REF. No. 1 ~ 7
- Fig. 209 REF. No. 1 ~ 14



1,3,,182901-41250,, "VALVE ASS'Y",1,,,,,,,,,,,,,
1A,4,,182901-41040,, PISTON,1,,,,,,,,,,,,,
2,4,,182901-41420,, SLEEVE,1,,,,,,,,,,,,,
3,4,,182901-41430,, SPOOL,1,,,,,,,,,,,,,
4,4,,182901-41050,, PLUG,1,,,,,,,,,,,,,
5,4,,182901-41060,, SPRING,1,,,,,,,,,,,,,
6,4,,182901-41070,, BALL,1,,,,,,,,,,,,,
7,4,,182901-41090,, SEAT,1,,,,,,,,,,,,,
8,4,,182901-41100,, SPRING,1,,,,,,,,,,,,,
9,4,,182901-41110,, SEAT,1,,,,,,,,,,,,,
10,4,,182901-41120,, PLUG,1,,,,,,,,,,,,,
11,4,,24315-000080,, "O-RING 1B P-8.0",1,,,,,,,,,,,,,
12,4,,953KM0-01855,, RING,1,,,,,,,,,,,,,
13,4,,953KM0-00187,, NUT,1,,,,,,,,,,,,,
14,4,,953KM0-00389,, O-RING,1,,,,,,,,,,,,,

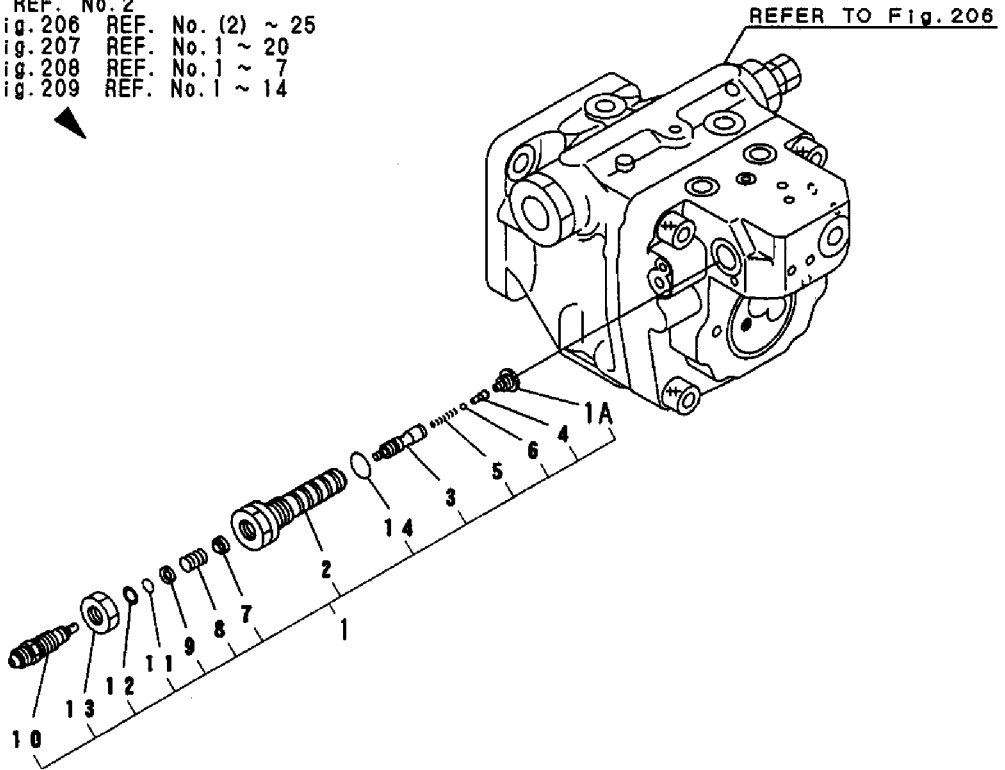
Fig. 209 油圧ポンプ (4) HYD. OIL PUMP (4)

油圧ポンプASSY
HYD. OIL PUMP ASSY
(182901-41210)
Fig. 206 REF. No. 1

- inc. Fig. 206 REF. No. 2 ~ 25
- Fig. 207 REF. No. 1 ~ 20
- Fig. 208 REF. No. 1 ~ 7
- Fig. 209 REF. No. 1 ~ 14
- Fig. 210 REF. No. 1 ~ 15
- Fig. 211 REF. No. 1 ~ 28

油圧ポンプサブASSY
HYD. OIL PUMP SUB. ASSY
(182901-41230)
Fig. 206 REF. No. 2

- inc. Fig. 206 REF. No. (2) ~ 25
- Fig. 207 REF. No. 1 ~ 20
- Fig. 208 REF. No. 1 ~ 7
- Fig. 209 REF. No. 1 ~ 14

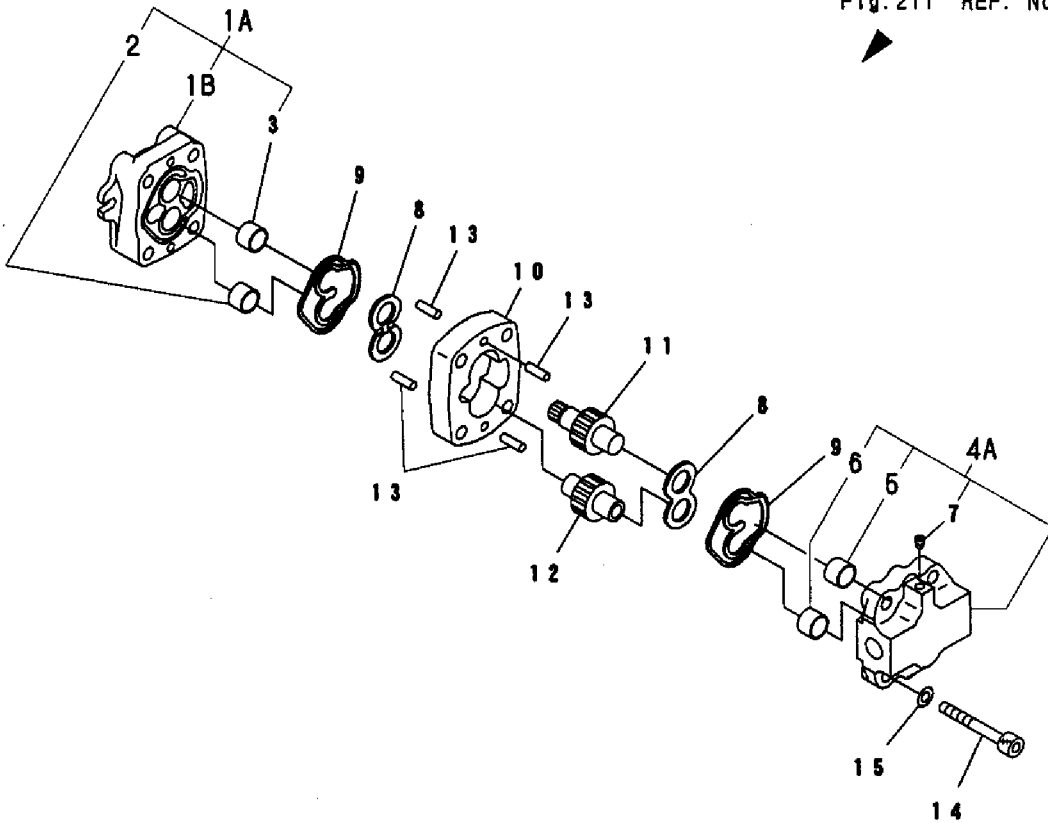


1,2,,182901-40820,, "GEAR PUMP ASSY",1,,,,,,,,,,,,,
1A,3,,182901-40870,, "BRACKET ASS'Y",1,,,,,,,,,,,,,
1B,4,,182901-40880,, BRACKET,1,,,,,,,,,,,,,
2,4,,182900-07700,, BUSHING,1,,,,,,,,,,,,,
3,4,,182900-07710,, BUSHING,1,,,,,,,,,,,,,
4,2,,182901-40890,, "COVER ASS'Y",1,,,,,,,,,,,,,
4A,3,,182901-40900,, COVER,1,,,,,,,,,,,,,
5,4,,182900-07700,, BUSHING,1,,,,,,,,,,,,,
6,4,,182900-07710,, BUSHING,1,,,,,,,,,,,,,
7,4,,182900-48360,, PLUG,1,,,,,,,,,,,,,
8,2,,182900-13550,, PLATE,2,,,,,,,,,,,,,
9,2,,182900-11320,, SEAL,2,,,,,,,,,,,,,
10,2,,182901-40830,, CASE,1,,,,,,,,,,,,,
11,2,,182901-40850,, GEAR,1,,,,,,,,,,,,,
12,2,,182901-40840,, GEAR,1,,,,,,,,,,,,,
13,2,,953KM0-10830,, "PIN,DOWEL",4,,,,,,,,,,,,,
14,2,,182901-40860,, BOLT,4,,,,,,,,,,,,,
15,2,,953KM0-00226,, "WASHER, SPRING",4,,,,,,,,,,,,,

Fig. 210 油圧ポンプ (5) HYD. OIL PUMP (5)

見出しNo. 1は、見出しNo. 1Aから3を含みます。
1 inc. 1A ~ 3

油圧ポンプASSY
HYD. OIL PUMP ASSY
(182901-41210)
Fig. 206 REF. No. 1
inc. Fig. 206 REF. No. 2 ~ 25
Fig. 207 REF. No. 1 ~ 20
Fig. 208 REF. No. 1 ~ 7
Fig. 209 REF. No. 1 ~ 14
Fig. 210 REF. No. 1 ~ 15
Fig. 211 REF. No. 1 ~ 28



見出しNo. 4は、見出しNo. 4Aから7を含みます。
4 inc. 4A ~ 7

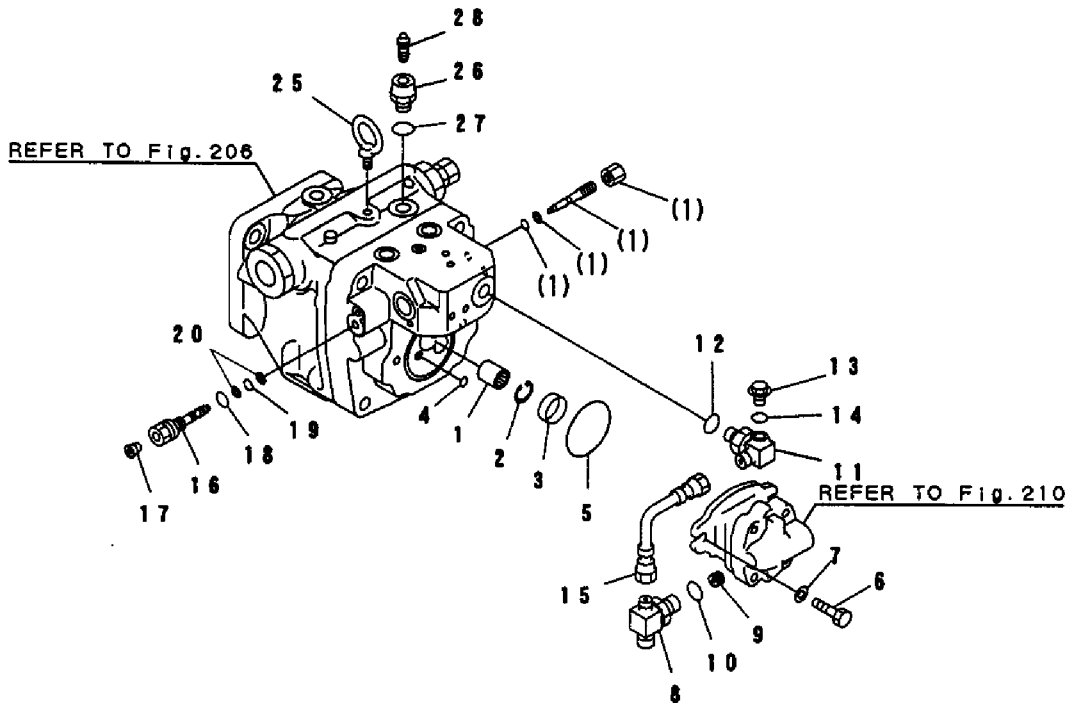
1,2,,182901-41140,,COUPLING,1,,,,,,,,,,,,,
2,2,,182901-40710,,RING,1,,,,,,,,,,,,,
3,2,,182901-41150,,RING,1,,,,,,,,,,,,,
4,2,,182901-29590,,O-RING,1,,,,,,,,,,,,,
5,2,,24321-000600,, "O-RING 1A G-60.0",1,,,,,,,,,,,,,
6,2,,182900-64830,,BOLT,2,,,,,,,,,,,,,
7,2,,953KM0-00221,,WASHER,2,,,,,,,,,,,,,
8,2,,182901-41130,,TEE,1,,,,,,,,,,,,,
9,2,,182901-41450,,ORIFICE,1,,,,,,,,,,,,,
10,2,,953KM0-00051,,O-RING,1,,,,,,,,,,,,,
11,2,,182901-41460,,ELBOW,1,,,,,,,,,,,,,
12,2,,953KM0-00388,,O-RING,1,,,,,,,,,,,,,
13,2,,182901-41610,,PLUG,1,,,,,,,,,,,,,
14,2,,182900-24660,,O-RING,1,,,,,,,,,,,,,
15,2,,182901-41160,,TUBE,1,,,,,,,,,,,,,
16,2,,182901-41440,,PLUG,1,,,,,,,,,,,,,
17,2,,953KM0-01873,,PLUG,1,,,,,,,,,,,,,
18,2,,182900-24660,,O-RING,1,,,,,,,,,,,,,
19,2,,182901-19560,,O-RING,1,,,,,,,,,,,,,
20,2,,182901-29610,,RING,2,,,,,,,,,,,,,
25,2,,182900-82980,,BOLT,1,,,,,,,,,,,,,
26,2,,182901-41170,,PLUG,1,,,,,,,,,,,,,
27,2,,953KM0-00388,,O-RING,1,,,,,,,,,,,,,
28,2,,953KM0-03188,,BREATHER,1,,,,,,,,,,,,,

Fig. 211 油圧ポンプ (6) HYD. OIL PUMP (6)

油圧ポンプ ASSY
HYD. OIL PUMP ASSY
(182901-41210)

Fig. 206 REF. No. 1

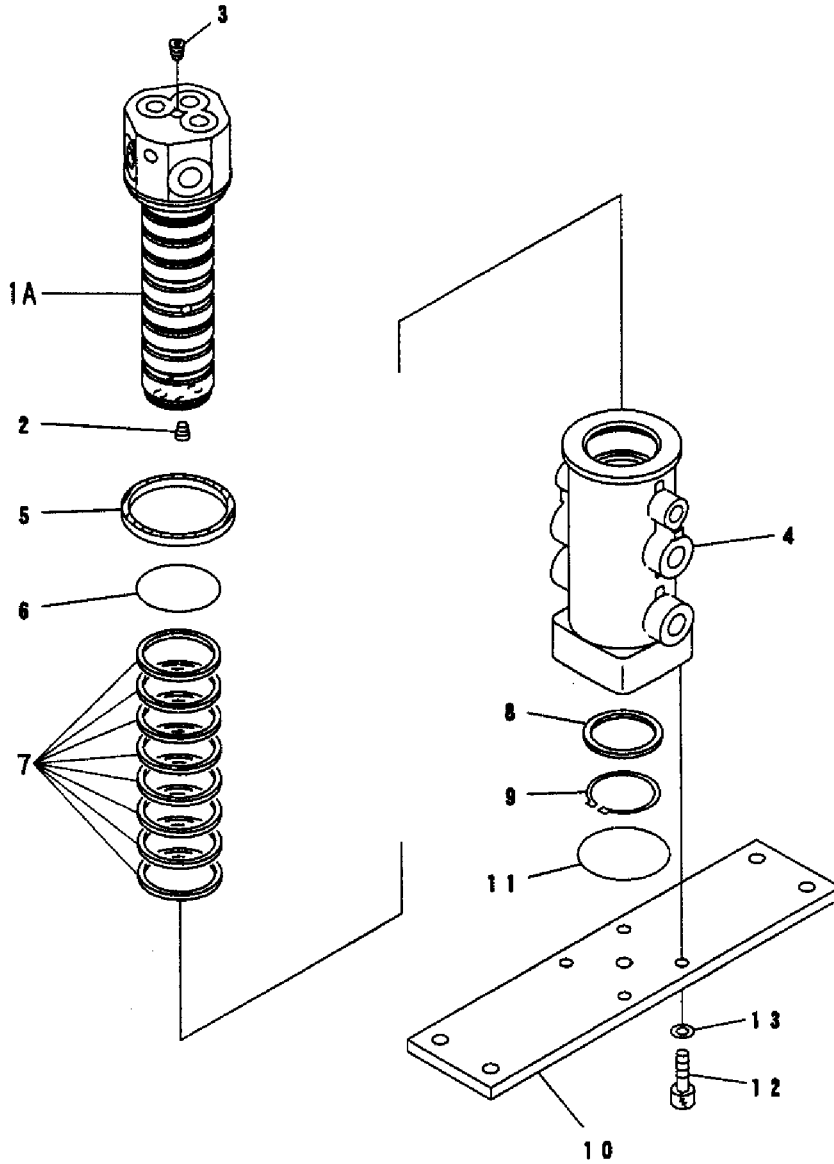
inc. Fig. 206	REF. No. 2 ~ 25
Fig. 207	REF. No. 1 ~ 20
Fig. 208	REF. No. 1 ~ 7
Fig. 209	REF. No. 1 ~ 14
Fig. 210	REF. No. 1 ~ 15
Fig. 211	REF. No. 1 ~ 28



1,1,,182901-40780,, "SWIVEL JOINT",1,,,,,,,,,,,,,
1A,2,,182901-40800,, SHAFT,1,,,,,,,,,,,,,
2,2,,953KM0-01680,, PLUG,4,,,,,,,,,,,,,
3,2,,182900-93280,, PLUG,1,,,,,,,,,,,,,
4,2,,182901-40790,, ROTOR,1,,,,,,,,,,,,,
5,2,,182900-72980,, SEAL,1,,,,,,,,,,,,,
6,2,,182900-68190,, O-RING,1,,,,,,,,,,,,,
7,2,,182901-06830,, SEAL,8,,,,,,,,,,,,,
8,2,,182900-72960,, RING,1,,,,,,,,,,,,,
9,2,,182900-68180,, RING,1,,,,,,,,,,,,,
10,2,,182901-40810,, COVER,1,,,,,,,,,,,,,
11,2,,24325-000750,, "O-RING 1B G-75.0",1,,,,,,,,,,,,,
12,2,,182901-29280,, BOLT,4,,,,,,,,,,,,,
13,2,,953KM0-00222,, WASHER,4,,,,,,,,,,,,,

Fig. 212 スイベルジョイント (インナパーツ) SWIVEL JOINT (INNER PART)

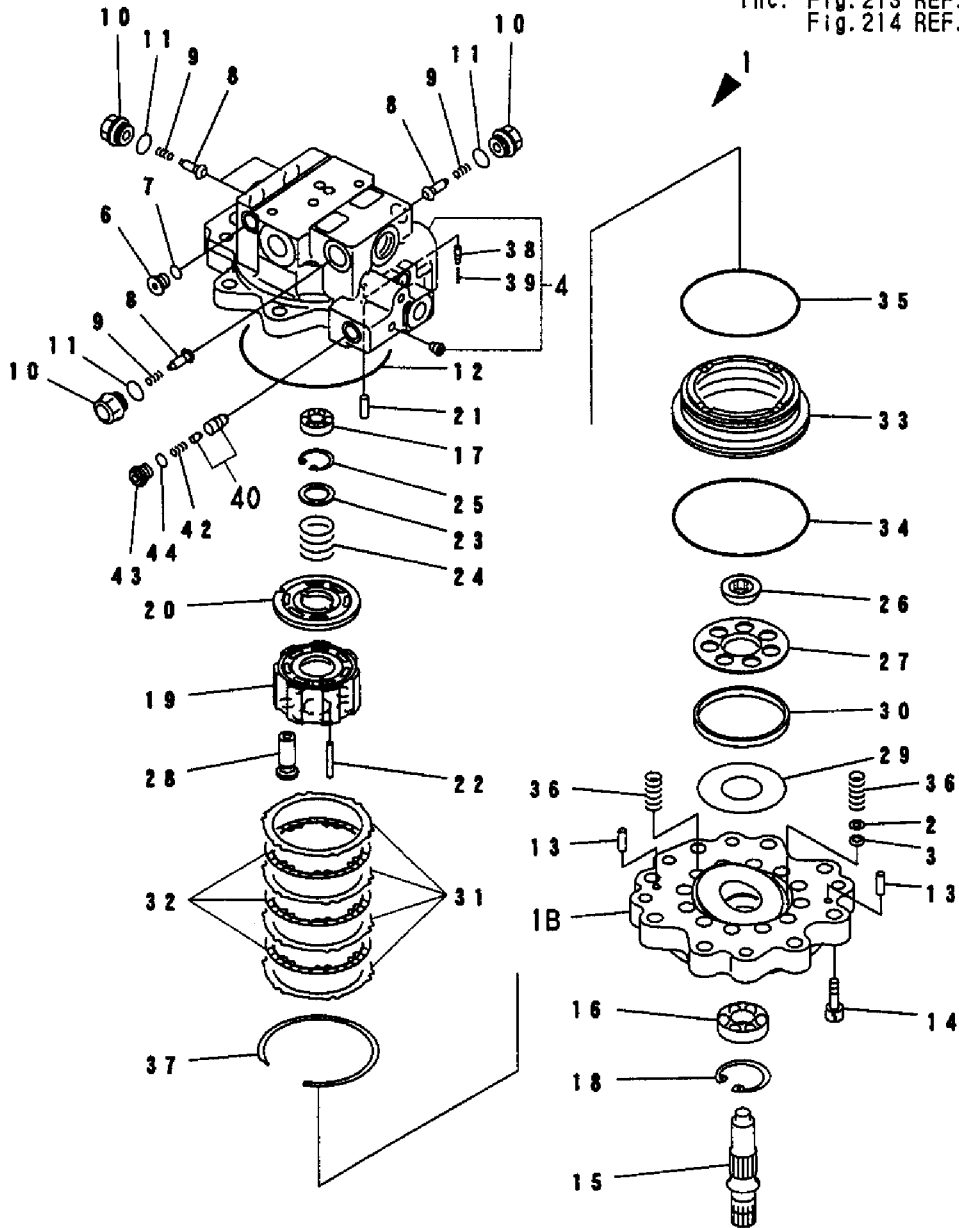
見出しNo. 1は、見出しNo. 1Aから13を含みます。
1 inc. 1A ~ 13



1,1,,182901-41470,, "MOTOR ASS'Y",1,,,,,,,,1,,,,,,,,,
1B,3,,182901-41520,, PLATE,1,,,,,,,,,
2,3,,182900-65710,, WASHER,1,,,,,,,,,
3,3,,182900-65720,, FILTER,1,,,,,,,,,
4,3,,182901-41500,, "HOUSING SUB ASS'Y",1,,,,,,,,,
6,3,,182900-65700,, PLUG,2,,,,,,,,,
7,3,,182900-44580,, O-RING,2,,,,,,,,,
8,3,,182900-65690,, VALVE,4,,,,,,,,,
9,3,,182900-32170,, SPRING,4,,,,,,,,,
10,3,,182900-32070,, PLUG,4,,,,,,,,,
11,3,,953KM0-00051,, O-RING,4,,,,,,,,,
12,3,,182901-40690,, O-RING,1,,,,,,,,,
12-1,3,,182901-51760,, O-RING,1,,,,,S,*M/#10501,,,,,,I
13,3,,182900-23230,, PIN,2,,,,,,,,,
14,3,,182900-64930,, BOLT,8,,,,,,,,,
15,3,,182901-41530,, SHAFT,1,,,,,,,,,
16,3,,182900-65750,, BEARING,1,,,,,,,,,
17,3,,182900-65760,, BEARING,1,,,,,,,,,
18,3,,22252-000420,, "CIRCLIP 42",1,,,,,,,,,
19,3,,182900-65770,, BLOCK,1,,,,,,,,,
20,3,,182901-41540,, PLATE,1,,,,,,,,,
21,3,,182900-23230,, PIN,1,,,,,,,,,
22,3,,182900-65850,, PIN,3,,,,,,,,,
23,3,,182900-65840,, WASHER,2,,,,,,,,,
24,3,,182901-08420,, SPRING,1,,,,,,,,,
25,3,,953KM0-10838,, "RING,SNAP",1,,,,,,,,,
26,3,,182900-65820,, RETAINER,1,,,,,,,,,
27,3,,182901-41560,, RETAINER,1,,,,,,,,,
28,3,,182901-41550,, "PISTON SUB ASS'Y",7,,,,,,,,,
29,3,,182900-65810,, PLATE,1,,,,,,,,,
30,3,,182901-41570,, SPACER,1,,,,,,,,,
31,3,,182900-65880,, PLATE,4,,,,,,,,,
32,3,,182900-65870,, DISC,3,,,,,,,,,
33,3,,182901-41580,, PISTON,1,,,,,,,,,
34,3,,24325-001150,, O-RING,1,,,,,,,,,
35,3,,24325-000950,, "O-RING 1B G-95.0",1,,,,,,,,,
36,3,,182900-65900,, SPRING,12,,,,,,,,,
37,3,,182900-65910,, RING,1,,,,,,,,,
38,3,,182900-65940,, PISTON,1,,,,,,,,,
39,3,,182900-65950,, SPRING,1,,,,,,,,,
40,3,,182901-41490,, "VALVE SUB ASS'Y",1,,,,,,,,,
42,3,,182900-65930,, SPRING,1,,,,,,,,,
43,3,,182900-65650,, PLUG,1,,,,,,,,,
44,3,,182900-44580,, O-RING,1,,,,,,,,,

Fig. **213** 旋回モータ (インナパーツ) (1)
 TURNING MOTOR (INNER PART) (1)

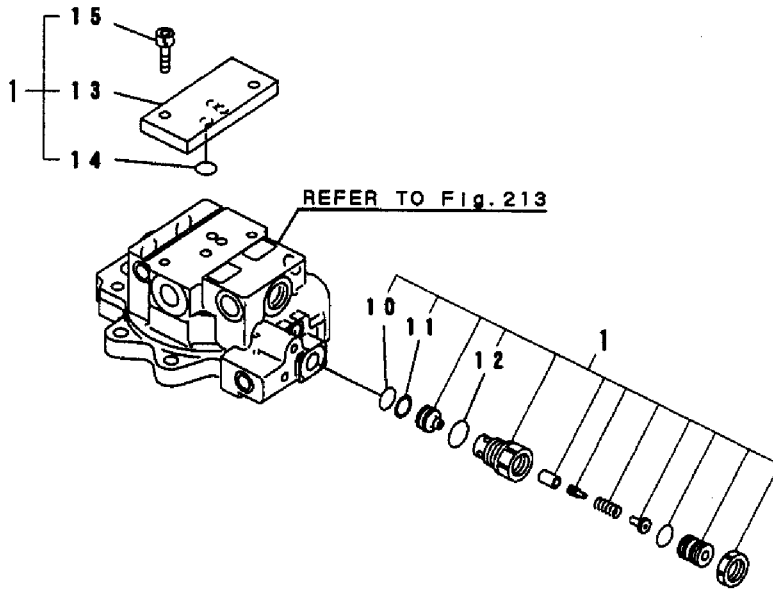
旋回モータASSY
 TURNING MOTOR ASSY
 (182901-41470)
 Fig. 213 REF. No. 1
 inc. Fig. 213 REF. No. 1B ~ 44
 Fig. 214 REF. No. 1 ~ 15



1,2,,182901-41590,, "VALVE ASS'Y",1,,,,,,,,,,,,,
10,3,,182900-34050,, O-RING,1,,,,,,,,,,,,,
11,3,,24372-000160,, RING,1,,,,,,,,,,,,,
12,3,,953KM0-00390,, O-RING,1,,,,,,,,,,,,,
13,3,,182901-41510,, PLATE,1,,,,,,,,,,,,,
14,3,,24315-000070,, "O-RING 1B P-7.0",3,,,,,,,,,,,,,
15,3,,182901-29270,, BOLT,2,,,,,,,,,,,,,

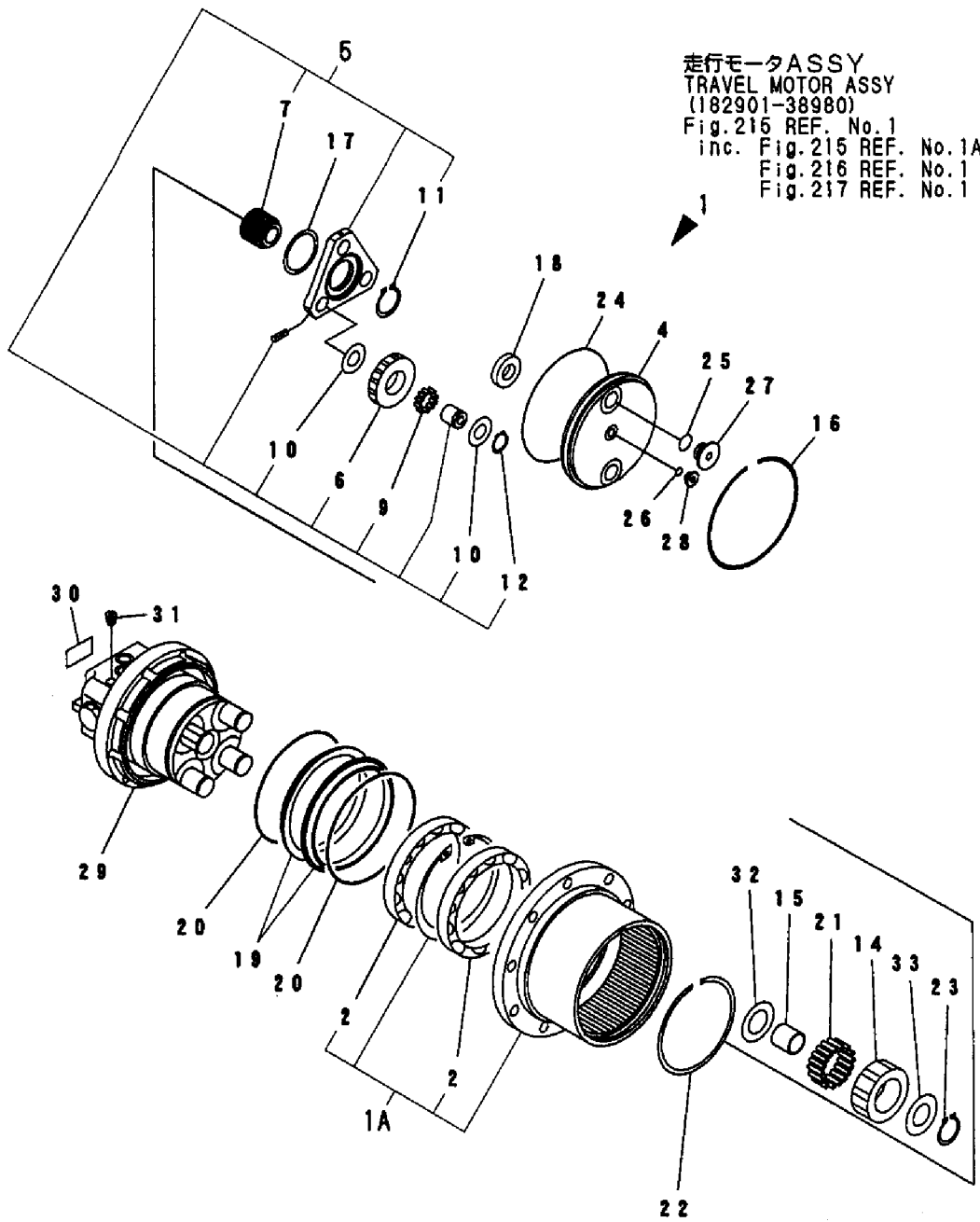
Fig. 214 旋回モータ (インナパーツ) (2) TURNING MOTOR (INNER PART) (2)

旋回モータASSY
TURNING MOTOR ASSY
(182901-41470)
Fig. 213 REF. No. 1
inc. Fig. 213 REF. No. 18 ~ 44
Fig. 214 REF. No. 1 ~ 15



1,1,,182901-38980,, "TRAVEL MOTOR ASSY",2,,,,,,,,1,,,,,,,,,
1A,2,,182901-25730,, "BODY SUB ASS'Y",2,,,,,,,,,
2,3,,182901-25950,, BEARING,4,,,,,,,,,
4,2,,182901-25560,, COVER,2,,,,,,,,,
5,2,,182901-25740,, "CARRIER SUB ASS'Y",2,,,,,,,,,
6,3,,182901-25470,, GEAR,6,,,,,,,,,
7,3,,182901-25440,, GEAR,2,,,,,,,,,
9,3,,182901-25480,, NEEDLE,144,,,,,,,,,
10,3,,182900-23690,, WASHER,12,,,,,,,,,
11,3,,182900-24190,, RING,2,,,,,,,,,
12,3,,953KM0-04008,, RING,6,,,,,,,,,
14,2,,182901-25570,, GEAR,8,,,,,,,,,
15,2,,182901-25580,, RING,8,,,,,,,,,
16,2,,182901-25450,, RING,2,,,,,,,,,
17,2,,182901-25590,, COLLER,2,,,,,,,,,
18,2,,182901-25490,, RING,2,,,,,,,,,
19,2,,182900-24280,, SEAL,4,,,,,,,,,
20,2,,182900-24260,, O-RING,4,,,,,,,,,
21,2,,182901-25550,, NEEDLE,192,,,,,,,,,
22,2,,182901-25460,, RING,2,,,,,,,,,
23,2,,953KM0-04008,, RING,8,,,,,,,,,
24,2,,182900-24200,, O-RING,2,,,,,,,,,
25,2,,182901-25850,, O-RING,4,,,,,,,,,
26,2,,182901-25880,, O-RING,2,,,,,,,,,
27,2,,182901-25540,, PLUG,4,,,,,,,,,
28,2,,182901-18520,, PLUG,2,,,,,,,,,
29,2,,182901-25820,, "MOTOR ASSY",2,,,,,,,,,
30,2,,182901-25810,, "NAME PLATE",2,,,,,,,,,
31,2,,182900-24240,, PLUG,2,,,,,,,,,
32,2,,182901-25600,, "THRUST WASHER",8,,,,,,,,,
33,2,,182901-25610,, "THRUST WASHER",8,,,,,,,,,

Fig. 215 走行モータ (インナパーツ) (1)
 TRAVEL MOTOR (INNER PART) (1)



走行モータASSY
 TRAVEL MOTOR ASSY
 (182901-38980)
 Fig.215 REF. No.1
 inc. Fig.215 REF. No.1A ~ 33
 Fig.216 REF. No.1 ~ 25
 Fig.217 REF. No.1 ~ 30

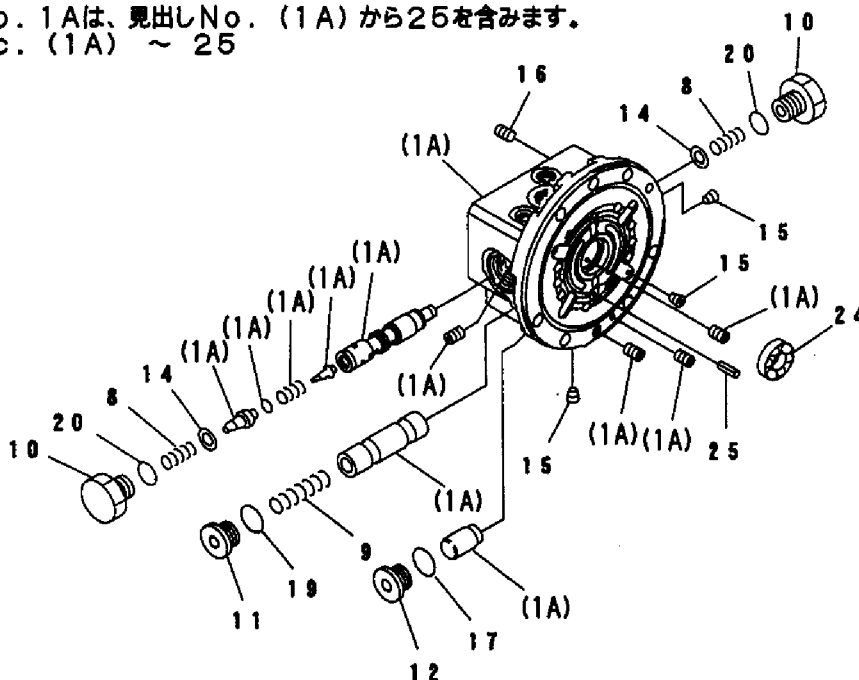
1,2,,182901-25820,, "MOTOR ASSY",2,,,,,,,,,,,,,,,,,,,,,
1A,3,,182901-25770,, "BODY SUB ASS'Y",2,,,,,,,,,,,,,,,,,,,,,
8,4,,182901-25660,, SPRING,4,,,,,,,,,,,,,,,,,,,,,
9,4,,182901-25670,, SPRING,2,,,,,,,,,,,,,,,,,,,,,
10,4,,182901-25680,, PLUG,4,,,,,,,,,,,,,,,,,,,,,
11,4,,182901-25690,, PLUG,4,,,,,,,,,,,,,,,,,,,,,
12,4,,182901-18380,, PLUG,4,,,,,,,,,,,,,,,,,,,,,
14,4,,182901-25700,, RING,4,,,,,,,,,,,,,,,,,,,,,
15,4,,182901-25930,, PLUG,12,,,,,,,,,,,,,,,,,,,,,
16,4,,182901-25920,, PLUG,4,,,,,,,,,,,,,,,,,,,,,
17,4,,182901-25880,, O-RING,4,,,,,,,,,,,,,,,,,,,,,
19,4,,182901-25850,, O-RING,4,,,,,,,,,,,,,,,,,,,,,
20,4,,182901-25860,, O-RING,4,,,,,,,,,,,,,,,,,,,,,
24,4,,953KM0-02629,, BEARING,2,,,,,,,,,,,,,,,,,,,,,
25,4,,182901-18680,, PIN,2,,,,,,,,,,,,,,,,,,,,,

Fig. 216 走行モータ (インナパーツ) (2) TRAVEL MOTOR (INNER PART) (2)

モータASSY
MOTOR ASSY
(182901-25820)
Fig. 216 REF. No. 1
inc. Fig. 216 REF. No. 1A ~ 25
Fig. 217 REF. No. 1 ~ 30

走行モータASSY
TRAVEL MOTOR ASSY
(182901-38980)
Fig. 215 REF. No. 1
inc. Fig. 215 REF. No. 1A ~ 33
Fig. 216 REF. No. 1 ~ 25
Fig. 217 REF. No. 1 ~ 30

見出しNo. 1Aは、見出しNo. (1A) から25を含みます。
1A inc. (1A) ~ 25

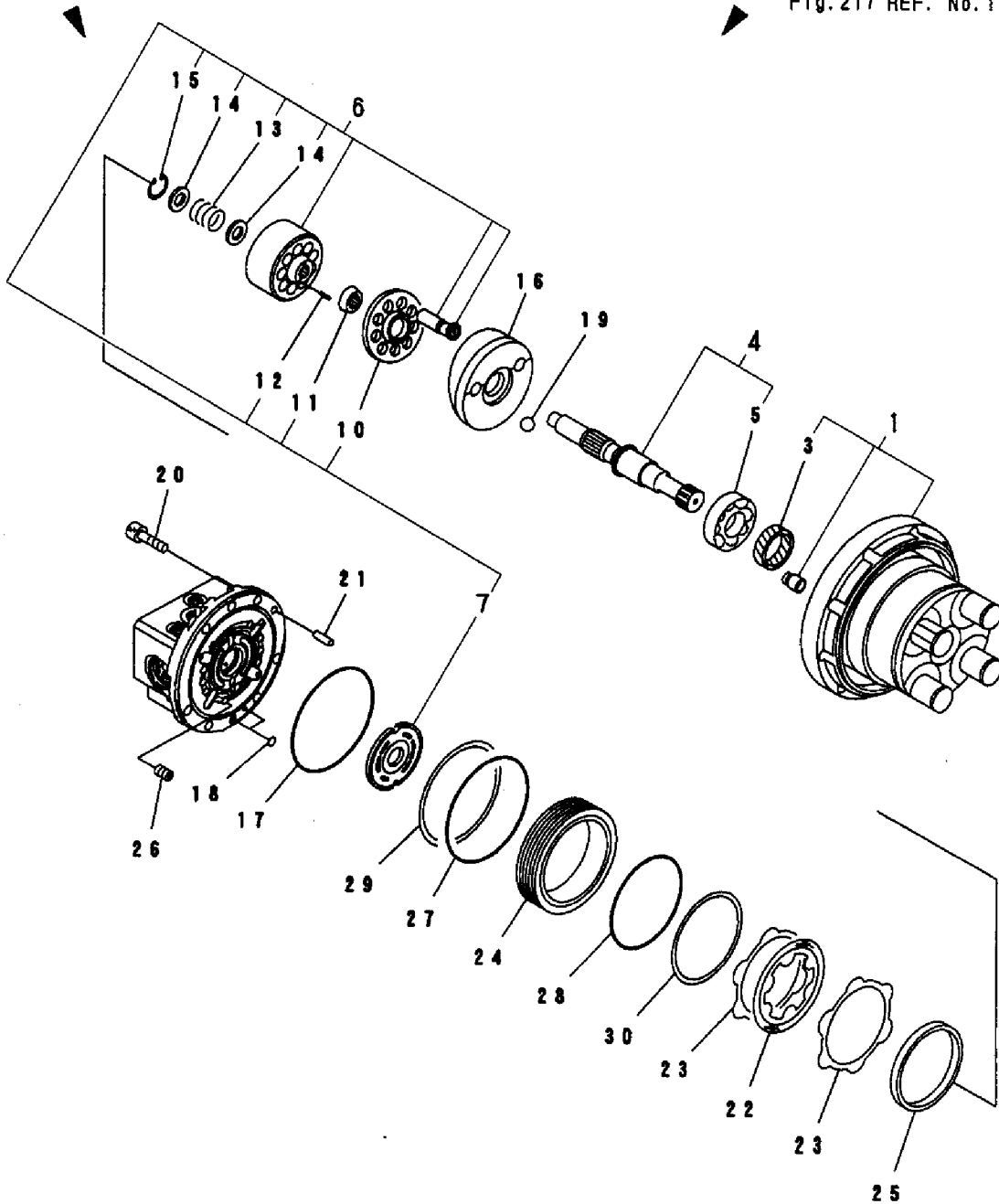


1,3,,182901-25780,, "BODY SUB ASS'Y",2,,,,,,,,,,,,,,,,,,,,,
3,4,,182901-25900,,SEAL,2,,,,,,,,,,,,,,,,,,,,,
4,3,,182901-25800,, "SHAFT SUB ASS'Y",2,,,,,,,,,,,,,,,,,,,,,
5,4,,182900-14150,,BEARING,2,,,,,,,,,,,,,,,,,,,,,
6,3,,182901-25790,, "CYLINDER BARREL A.",2,,,,,,,,,,,,,,,,,,,,,
7,4,,182901-25630,,PLATE,2,,,,,,,,,,,,,,,,,,,,,
10,4,,182901-25640,,HOLDER,2,,,,,,,,,,,,,,,,,,,,,
11,4,,182901-25710,,HOLDER,2,,,,,,,,,,,,,,,,,,,,,
12,4,,182901-25650,,PIN,6,,,,,,,,,,,,,,,,,,,,,
13,4,,182901-25840,,SPRING,2,,,,,,,,,,,,,,,,,,,,,
14,4,,182901-25830,,RETAINER,4,,,,,,,,,,,,,,,,,,,,,
15,4,,182901-29440,,RING,2,,,,,,,,,,,,,,,,,,,,,
16,3,,182901-25500,,PLATE,2,,,,,,,,,,,,,,,,,,,,,
17,3,,182900-24030,,O-RING,2,,,,,,,,,,,,,,,,,,,,,
18,3,,182901-25870,,O-RING,4,,,,,,,,,,,,,,,,,,,,,
19,3,,182901-25940,,BALL,4,,,,,,,,,,,,,,,,,,,,,
20,3,,182901-25910,,SCREW,14,,,,,,,,,,,,,,,,,,,,,
21,3,,182900-24080,,PIN,2,,,,,,,,,,,,,,,,,,,,,
22,3,,182901-25520,,PLATE,2,,,,,,,,,,,,,,,,,,,,,
23,3,,182901-25530,,PLATE,4,,,,,,,,,,,,,,,,,,,,,
24,3,,182901-25620,,PISTON,2,,,,,,,,,,,,,,,,,,,,,
25,3,,182901-25510,,SPACER,2,,,,,,,,,,,,,,,,,,,,,
26,3,,182901-25720,,SPRING,16,,,,,,,,,,,,,,,,,,,,,
27,3,,182901-25760,,O-RING,2,,,,,,,,,,,,,,,,,,,,,
28,3,,182901-25750,,O-RING,2,,,,,,,,,,,,,,,,,,,,,
29,3,,182901-18720,,RING,2,,,,,,,,,,,,,,,,,,,,,
30,3,,182901-25890,, "BACK-UP RING",2,,,,,,,,,,,,,,,,,,,,,

Fig. 217 走行モータ (インナパーツ) (3) TRAVEL MOTOR (INNER PART) (3)

モータASSY
MOTOR ASSY
(182901-25820)
Fig. 216 REF. No. 1
inc. Fig. 216 REF. No. 1A ~ 25
Fig. 217 REF. No. 1 ~ 30

走行モータASSY
TRAVEL MOTOR ASSY
(182901-38980)
Fig. 215 REF. No. 1
inc. Fig. 215 REF. No. 1A ~ 33
Fig. 216 REF. No. 1 ~ 25
Fig. 217 REF. No. 1 ~ 30



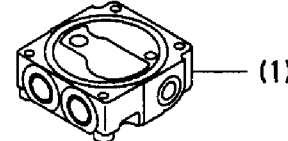
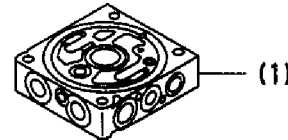
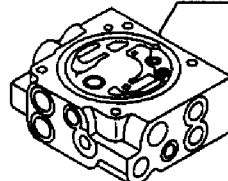
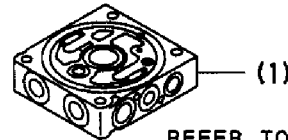
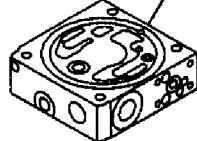
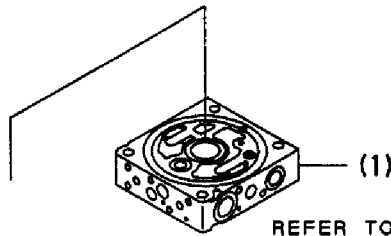
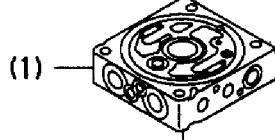
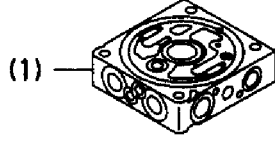
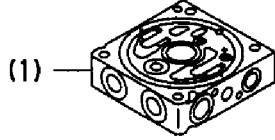
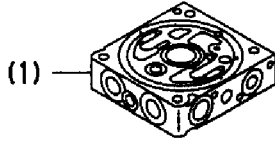
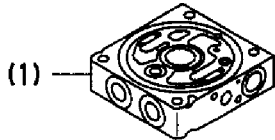
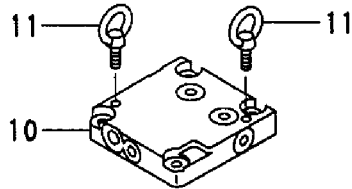
1,1,,182901-42240,, "CONTROL VALVE",1,,,,,,,,1,,,,,,,,,
10,2,,182901-41790,,COVER,1,,,,,,,,,,,,,,,,,
11,2,,182901-19530,,BOLT,2,,,,,,,,,,,,,,,,,

Fig. 218 コントロールバルブ (1) CONTROL VALVE (1)

コントロールバルブ
CONTROL VALVE
(182901-42240)

Fig. 218 REF. No. 1
inc.

Fig. 218	REF. No. (1)	~ 11
Fig. 219	REF. No. 1	~ 12
Fig. 220	REF. No. 1	~ 5
Fig. 221	REF. No. 1	~ 5
Fig. 222	REF. No. 1	~ 25
Fig. 223	REF. No. 1	~ 29
Fig. 224	REF. No. 1	~ 44
Fig. 225	REF. No. 1	~ 23
Fig. 226	REF. No. 1	~ 10
Fig. 227	REF. No. 1	~ 10
Fig. 228	REF. No. 1	~ 24
Fig. 229	REF. No. 1	~ 22
Fig. 230	REF. No. (1)	~ 25
Fig. 231	REF. No. (1)	~ 16
Fig. 232	REF. No. (1)	~ 32



REFER TO Fig. 232

REFER TO Fig. 230

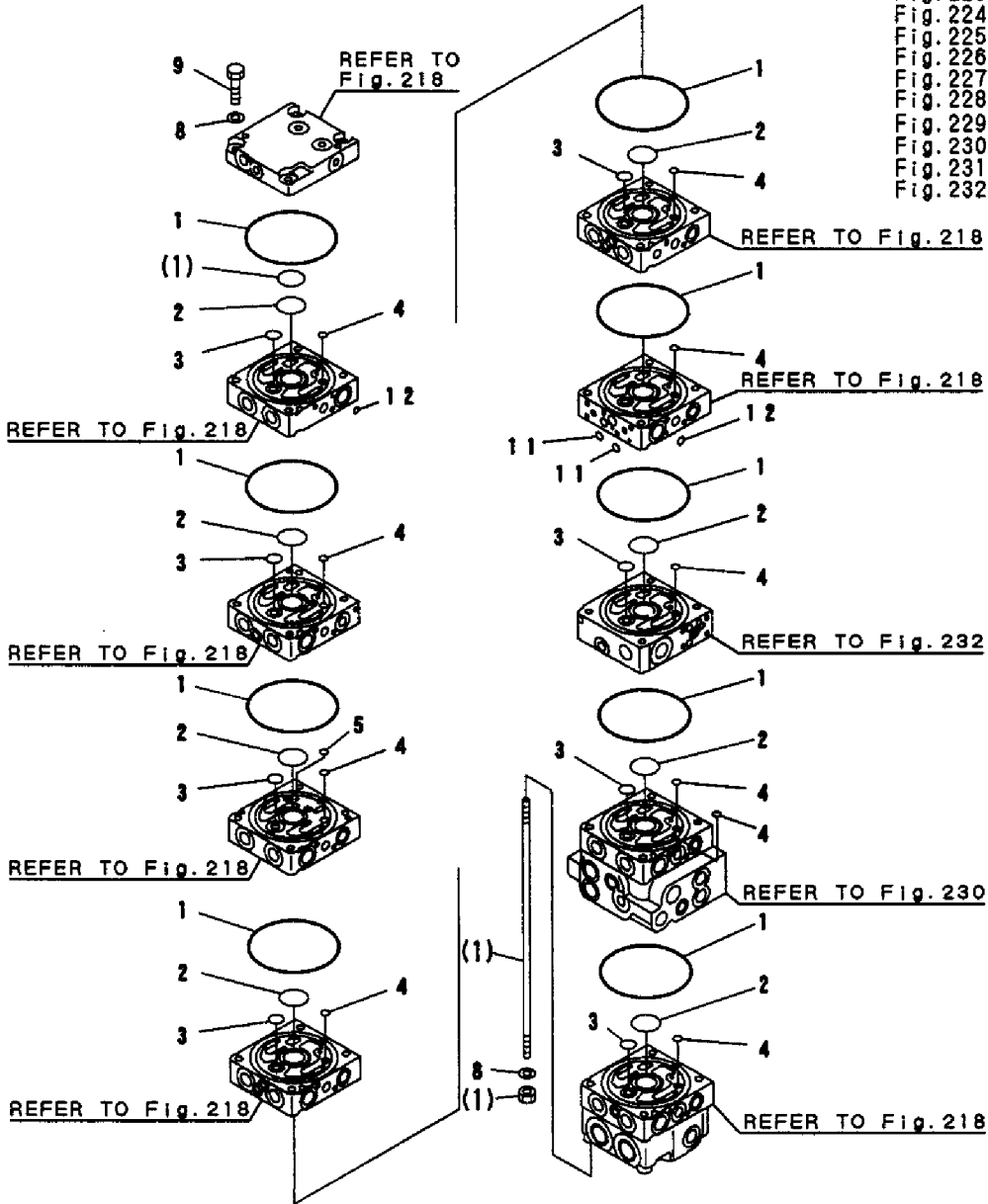
1,2,,24325-001000,, "O-RING 1B G-100.0",9,,,,,,,,,,,,,,,,,,,,,
2,2,,182901-24720,, O-RING,8,,,,,,,,,,,,,,,,,,,,,
3,2,,182901-24740,, O-RING,8,,,,,,,,,,,,,,,,,,,,,
4,2,,24315-000070,, "O-RING 1B P-7.0",10,,,,,,,,,,,,,,,,,,,,,
5,2,,182901-19560,, O-RING,6,,,,,,,,,,,,,,,,,,,,,
8,2,,953KM0-02074,, WASHER,8,,,,,,,,,,,,,,,,,,,,,
9,2,,182900-82440,, BOLT,4,,,,,,,,,,,,,,,,,,,,,
11,2,,182901-19560,, O-RING,2,,,,,,,,,,,,,,,,,,,,,
12,2,,182901-19560,, O-RING,2,,,,,,,,,,,,,,,,,,,,,

Fig. 219 コントロールバルブ (2) CONTROL VALVE (2)

コントロールバルブ
CONTROL VALVE
(182901-42240)

Fig. 218 REF. No. 1

inc. Fig. 218	REF. No. (1) ~ 11
Fig. 219	REF. No. 1 ~ 12
Fig. 220	REF. No. 1 ~ 5
Fig. 221	REF. No. 1 ~ 5
Fig. 222	REF. No. 1 ~ 25
Fig. 223	REF. No. 1 ~ 29
Fig. 224	REF. No. 1 ~ 44
Fig. 225	REF. No. 1 ~ 23
Fig. 226	REF. No. 1 ~ 10
Fig. 227	REF. No. 1 ~ 10
Fig. 228	REF. No. 1 ~ 24
Fig. 229	REF. No. 1 ~ 22
Fig. 230	REF. No. (1) ~ 25
Fig. 231	REF. No. (1) ~ 16
Fig. 232	REF. No. (1) ~ 32



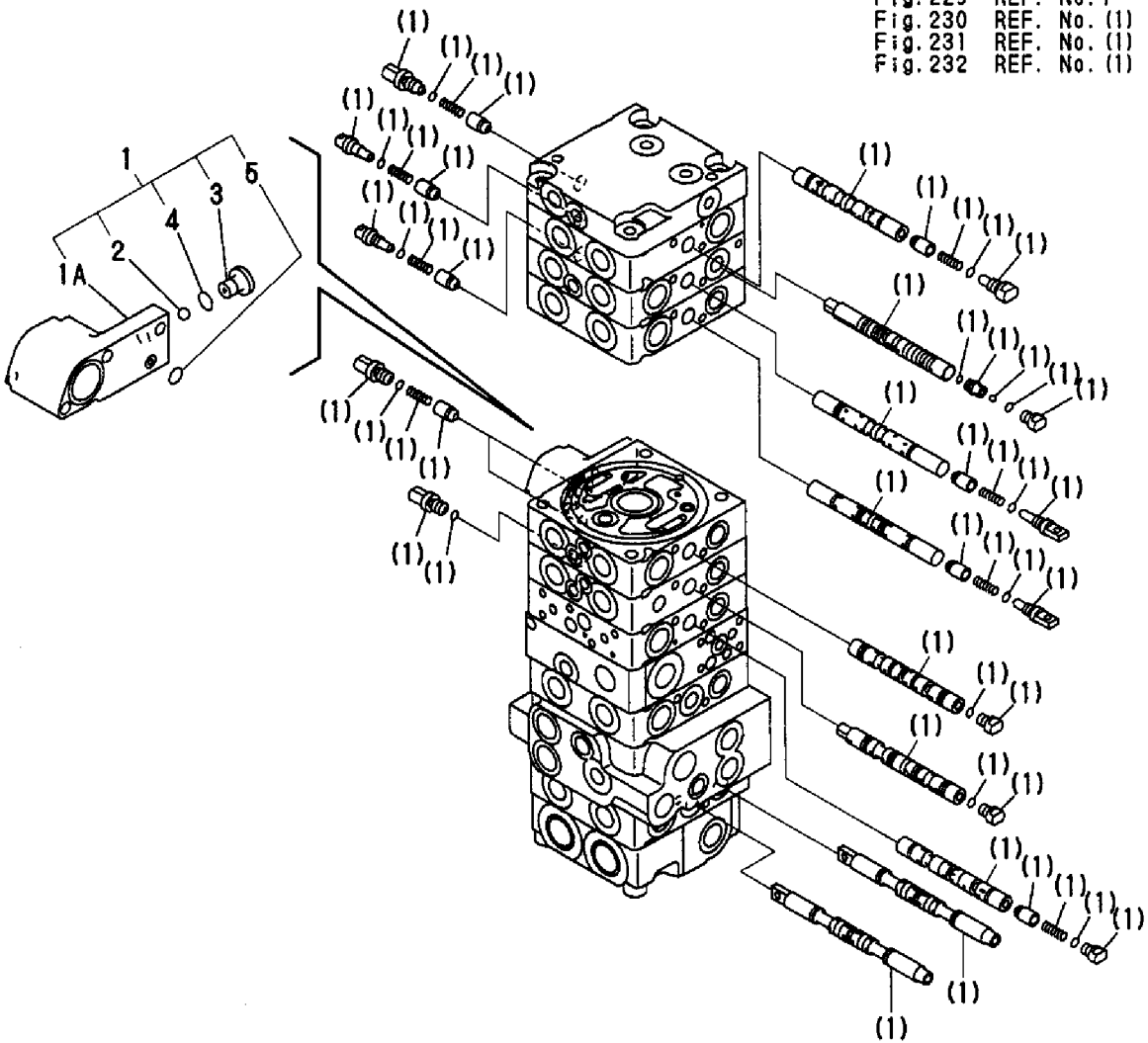
1,2,,182901-24450,, "CASE SUB ASS'Y",1,,,,,,,,,,,,,
1A,3,,182901-24600,,CASE,1,,,,,,,,,,,,,
2,3,,953KM0-12462,,BALL,1,,,,,,,,,,,,,
3,3,,182901-24810,,PLUG,1,,,,,,,,,,,,,
4,3,,182901-19580,,O-RING,1,,,,,,,,,,,,,
5,3,,182901-19560,,O-RING,1,,,,,,,,,,,,,

Fig. 220 コントロールバルブ (3) CONTROL VALVE (3)

コントロールバルブ
CONTROL VALVE
(182901-42240)

Fig. 218 REF. No. 1

inc.	Fig.	REF. No.	(1) ~
	Fig. 218	REF. No. 1	~ 11
	Fig. 219	REF. No. 1	~ 12
	Fig. 220	REF. No. 1	~ 5
	Fig. 221	REF. No. 1	~ 5
	Fig. 222	REF. No. 1	~ 25
	Fig. 223	REF. No. 1	~ 29
	Fig. 224	REF. No. 1	~ 44
	Fig. 225	REF. No. 1	~ 23
	Fig. 226	REF. No. 1	~ 10
	Fig. 227	REF. No. 1	~ 10
	Fig. 228	REF. No. 1	~ 24
	Fig. 229	REF. No. 1	~ 22
	Fig. 230	REF. No. (1)	~ 25
	Fig. 231	REF. No. (1)	~ 16
	Fig. 232	REF. No. (1)	~ 32



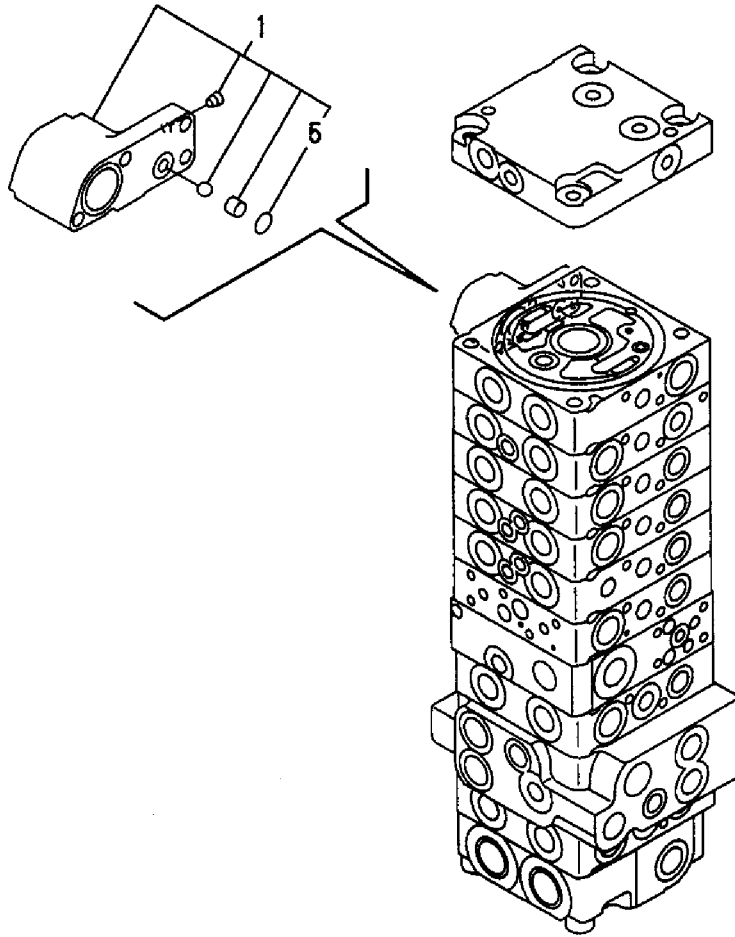
1,2,,182901-41720,, "CASE SUB ASS'Y",1,,,,,,,,,,,,,,,,,,,,,
5,3,,24315-000090,, "O-RING 1B P- 9.0",1,,,,,,,,,,,,,,,,,,,,,

Fig. 221 コントロールバルブ (4) CONTROL VALVE (4)

コントロールバルブ
CONTROL VALVE
(182901-42240)

Fig. 218 REF. No. 1
inc.

Fig. 218	REF. No. (1) ~ 11
Fig. 219	REF. No. 1 ~ 12
Fig. 220	REF. No. 3 ~ 5
Fig. 221	REF. No. 1 ~ 5
Fig. 222	REF. No. 1 ~ 25
Fig. 223	REF. No. 1 ~ 29
Fig. 224	REF. No. 1 ~ 44
Fig. 225	REF. No. 1 ~ 23
Fig. 226	REF. No. 1 ~ 10
Fig. 227	REF. No. 1 ~ 10
Fig. 228	REF. No. 1 ~ 24
Fig. 229	REF. No. 1 ~ 22
Fig. 230	REF. No. (1) ~ 25
Fig. 231	REF. No. (1) ~ 16
Fig. 232	REF. No. (1) ~ 32



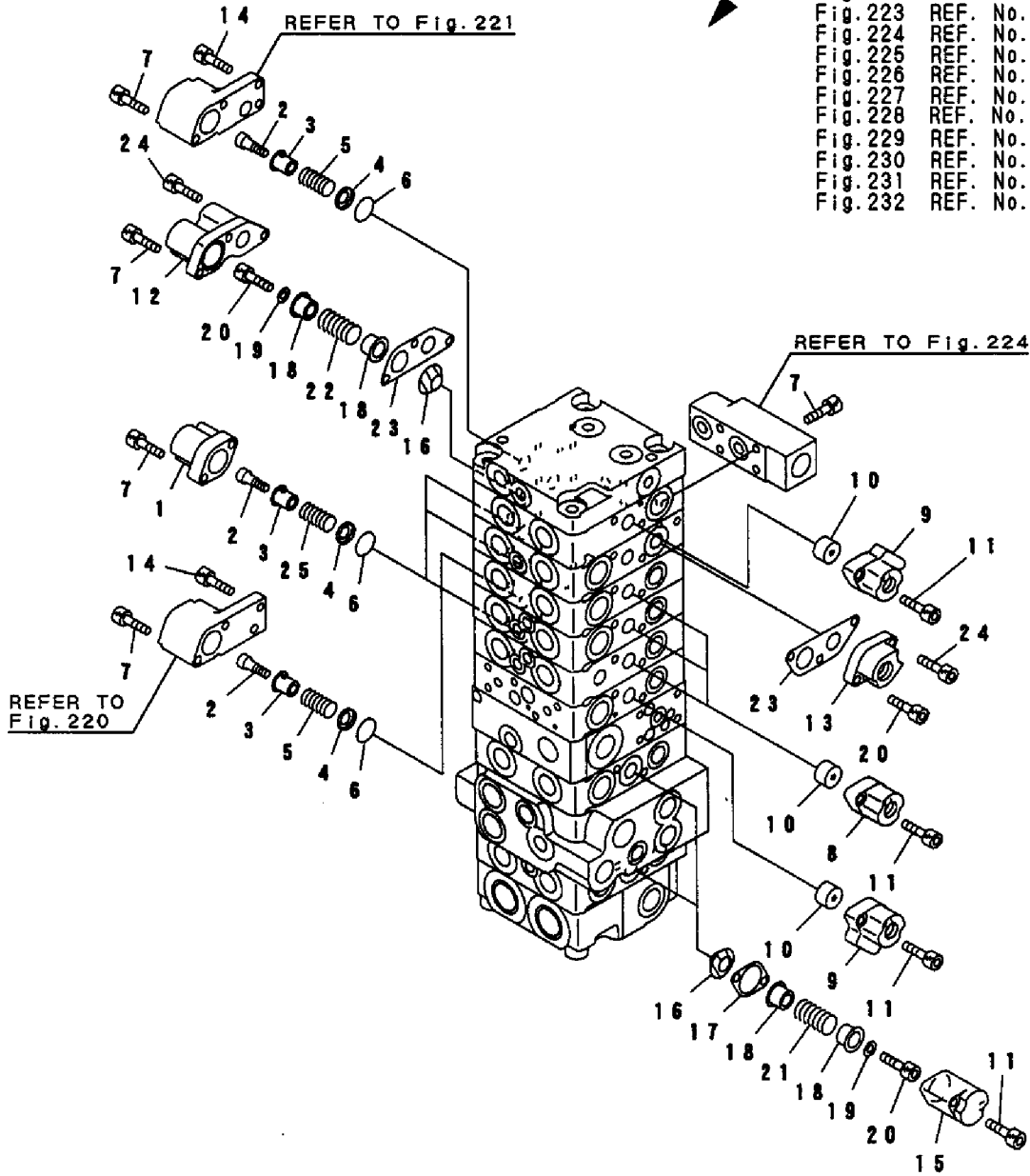
1,2,,182901-24590,,CASE,3,,,,,,,,,,,,,
2,2,,182901-24580,,BOLT,6,,,,,,,,,,,,,
3,2,,182901-24570,,RETAINER,6,,,,,,,,,,,,,
4,2,,182901-24550,,RETAINER,6,,,,,,,,,,,,,
5,2,,182901-42000,,SPRING,5,,,,,,,,,,,,,
6,2,,182901-24420,,O-RING,14,,,,,,,,,,,,,
7,2,,182900-82710,,BOLT,20,,,,,,,,,,,,,
8,2,,182901-24610,,CASE,3,,,,,,,,,,,,,
9,2,,182901-41940,,CASE,2,,,,,,,,,,,,,
10,2,,182901-24620,,RETAINER,5,,,,,,,,,,,,,
11,2,,182900-64910,,BOLT,10,,,,,,,,,,,,,
12,2,,182901-41970,,CASE,1,,,,,,,,,,,,,
13,2,,182901-41930,,CASE,1,,,,,,,,,,,,,
14,2,,182901-19420,,BOLT,3,,,,,,,,,,,,,
15,2,,182901-24520,,CASE,2,,,,,,,,,,,,,
16,2,,953KM0-01764,, "SEAL, DUST", 6,,,,,,,,,,,,,
17,2,,182901-24500,,PLATE,4,,,,,,,,,,,,,
18,2,,182901-24530,,RETAINER,6,,,,,,,,,,,,,
19,2,,182901-24510,,WASHER,3,,,,,,,,,,,,,
20,2,,182900-64890,,BOLT,8,,,,,,,,,,,,,
21,2,,182901-41960,,SPRING,2,,,,,,,,,,,,,
22,2,,182901-24630,,SPRING,1,,,,,,,,,,,,,
23,2,,182901-41980,,PLATE,2,,,,,,,,,,,,,
24,2,,182900-64900,,BOLT,3,,,,,,,,,,,,,
25,2,,182901-41990,,SPRING,1,,,,,,,,,,,,,

Fig. 222 コントロールバルブ (5) CONTROL VALVE (5)

コントロールバルブ
CONTROL VALVE
(182901-42240)

Fig. 218 REF. No. 1

inc. Fig. 218	REF. No. (1) ~ 11
Fig. 219	REF. No. 1 ~ 12
Fig. 220	REF. No. 1 ~ 5
Fig. 221	REF. No. 1 ~ 5
Fig. 222	REF. No. 1 ~ 25
Fig. 223	REF. No. 1 ~ 29
Fig. 224	REF. No. 1 ~ 44
Fig. 225	REF. No. 1 ~ 23
Fig. 226	REF. No. 1 ~ 10
Fig. 227	REF. No. 1 ~ 10
Fig. 228	REF. No. 1 ~ 24
Fig. 229	REF. No. 1 ~ 22
Fig. 230	REF. No. (1) ~ 25
Fig. 231	REF. No. (1) ~ 16
Fig. 232	REF. No. (1) ~ 32



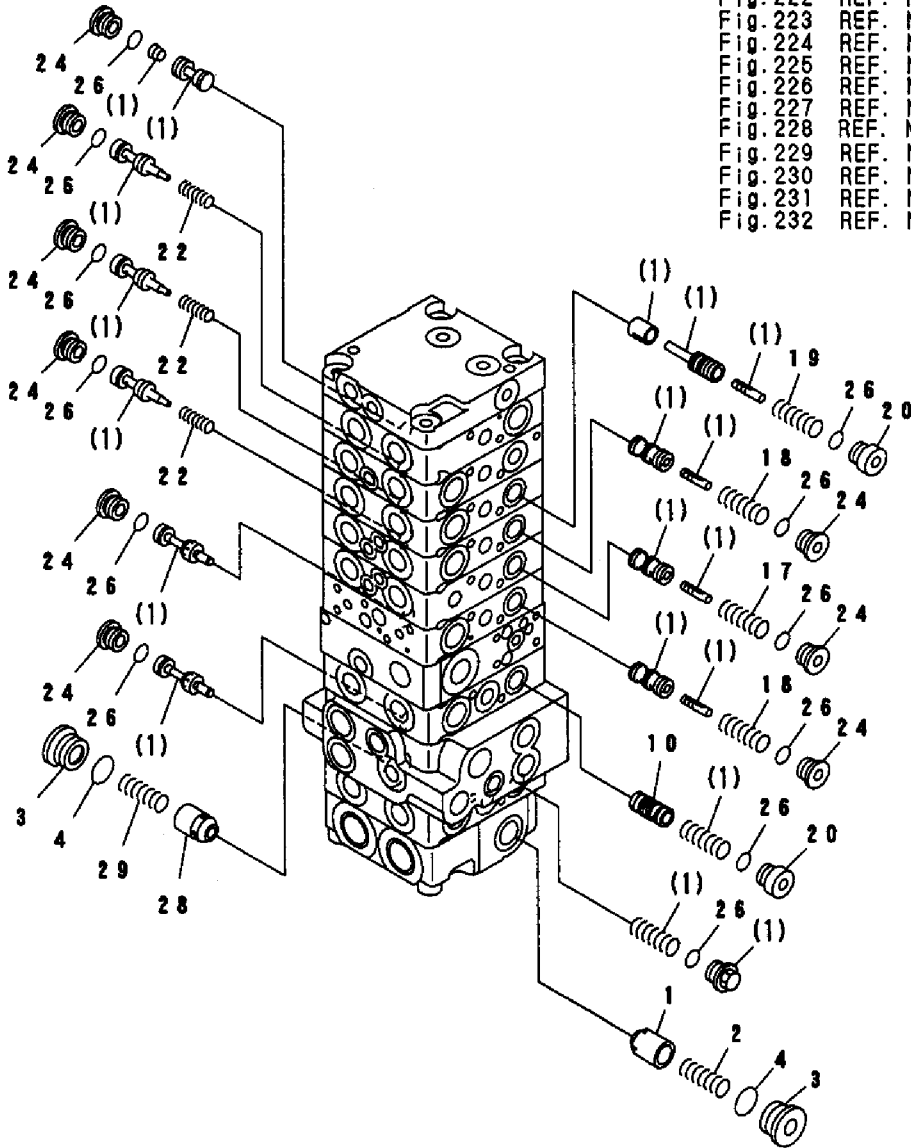
1,2,,182901-42010,,VALVE,1,,,,,,,,,,,,,
2,2,,182901-42020,,SPRING,1,,,,,,,,,,,,,
3,2,,182900-94540,,PLUG,2,,,,,,,,,,,,,
4,2,,953KM0-00390,,O-RING,2,,,,,,,,,,,,,
10,2,,182901-41740,, "VALVE SUB ASS'Y",2,,,,,,,,,,,,,
17,2,,182901-41920,,SPRING,1,,,,,,,,,,,,,
18,2,,182901-24490,,SPRING,2,,,,,,,,,,,,,
19,2,,182901-41910,,SPRING,1,,,,,,,,,,,,,
20,2,,182901-41900,,PLUG,2,,,,,,,,,,,,,
22,2,,182901-24480,,SPRING,3,,,,,,,,,,,,,
24,2,,182901-24470,,PLUG,9,,,,,,,,,,,,,
26,2,,182900-44590,,O-RING,12,,,,,,,,,,,,,
28,2,,182901-24820,,VALVE,1,,,,,,,,,,,,,
29,2,,182901-24830,,SPRING,1,,,,,,,,,,,,,

Fig. 223 コントロールバルブ (6) CONTROL VALVE (6)

コントロールバルブ
CONTROL VALVE
(182901-42240)

Fig. 218 REF. No. 1

inc.	Fig. 218	REF. No. (1)	~ 11
	Fig. 219	REF. No. 1	~ 12
	Fig. 220	REF. No. 1	~ 5
	Fig. 221	REF. No. 1	~ 5
	Fig. 222	REF. No. 1	~ 25
	Fig. 223	REF. No. 1	~ 29
	Fig. 224	REF. No. 1	~ 44
	Fig. 225	REF. No. 1	~ 23
	Fig. 226	REF. No. 1	~ 10
	Fig. 227	REF. No. 1	~ 10
	Fig. 228	REF. No. 1	~ 24
	Fig. 229	REF. No. 1	~ 22
	Fig. 230	REF. No. (1)	~ 25
	Fig. 231	REF. No. (1)	~ 16
	Fig. 232	REF. No. (1)	~ 32



1,2,,182901-42030,,VALVE,1,,,,,,,,,,,,,,,,,,,,,
2,2,,182901-42040,,SPRING,1,,,,,,,,,,,,,,,,,,,,,
3,2,,182900-65700,,PLUG,1,,,,,,,,,,,,,,,,,,,,,
4,2,,182900-44580,,O-RING,1,,,,,,,,,,,,,,,,,,,,,
5,2,,182901-24680,,VALVE,5,,,,,,,,,,,,,,,,,,,,,
6,2,,182901-24690,,SPRING,5,,,,,,,,,,,,,,,,,,,,,
7,2,,182901-24700,,PLUG,7,,,,,,,,,,,,,,,,,,,,,
8,2,,182900-24660,,O-RING,7,,,,,,,,,,,,,,,,,,,,,
9,2,,182901-42190,,PLUG,1,,,,,,,,,,,,,,,,,,,,,
10,2,,24315-000090,, "O-RING 1B P- 9.0",1,,,,,,,,,,,,,,,,,,,,,
11,2,,24372-000090,,RING,1,,,,,,,,,,,,,,,,,,,,,
12,2,,182901-42050,,SEAT,1,,,,,,,,,,,,,,,,,,,,,
13,2,,182901-42210,,O-RING,1,,,,,,,,,,,,,,,,,,,,,
14,2,,182901-42060,,VALVE,1,,,,,,,,,,,,,,,,,,,,,
15,2,,182901-42080,,RETAINER,1,,,,,,,,,,,,,,,,,,,,,
16,2,,182901-42070,,SPRING,1,,,,,,,,,,,,,,,,,,,,,
17,2,,182901-24650,,PLUG,1,,,,,,,,,,,,,,,,,,,,,
18,2,,182900-83040,,RING,1,,,,,,,,,,,,,,,,,,,,,
19,2,,182901-41780,, "VALVE SUB ASS'Y",1,,,,,,,,,,,,,,,,,,,,,
24,3,,182901-42140,,PLUG,1,,,,,,,,,,,,,,,,,,,,,
25,3,,182901-42150,,O-RING,2,,,,,,,,,,,,,,,,,,,,,
26,3,,182901-42110,,RETAINER,1,,,,,,,,,,,,,,,,,,,,,
27,3,,182901-42070,,SPRING,1,,,,,,,,,,,,,,,,,,,,,
28,3,,182901-42120,,VALVE,1,,,,,,,,,,,,,,,,,,,,,
29,3,,182901-42130,,SEAT,1,,,,,,,,,,,,,,,,,,,,,
30,3,,182901-42210,,O-RING,2,,,,,,,,,,,,,,,,,,,,,
31,3,,182901-19560,,O-RING,3,,,,,,,,,,,,,,,,,,,,,
32,3,,24315-000090,, "O-RING 1B P- 9.0",1,,,,,,,,,,,,,,,,,,,,,
33,3,,182901-42680,,SCREW,2,,,,,,,,,,,,,,,,,,,,,
34,2,,182901-42160,,O-RING,1,,,,,,,,,,,,,,,,,,,,,
35,2,,182901-41630,,O-RING,2,,,,,,,,,,,,,,,,,,,,,
36,2,,182901-29260,,BOLT,6,,,,,,,,,,,,,,,,,,,,,
37,2,,182901-42170,,BLOCK,1,,,,,,,,,,,,,,,,,,,,,
38,2,,182900-83020,,O-RING,2,,,,,,,,,,,,,,,,,,,,,
39,2,,24315-000070,, "O-RING 1B P-7.0",1,,,,,,,,,,,,,,,,,,,,,
40,2,,24315-000090,, "O-RING 1B P- 9.0",1,,,,,,,,,,,,,,,,,,,,,
41,2,,24372-000090,,RING,1,,,,,,,,,,,,,,,,,,,,,
42,2,,182901-42180,,PLUG,2,,,,,,,,,,,,,,,,,,,,,
43,2,,953KM0-01773,,O-RING,2,,,,,,,,,,,,,,,,,,,,,
44,2,,953KM0-00389,,O-RING,2,,,,,,,,,,,,,,,,,,,,,

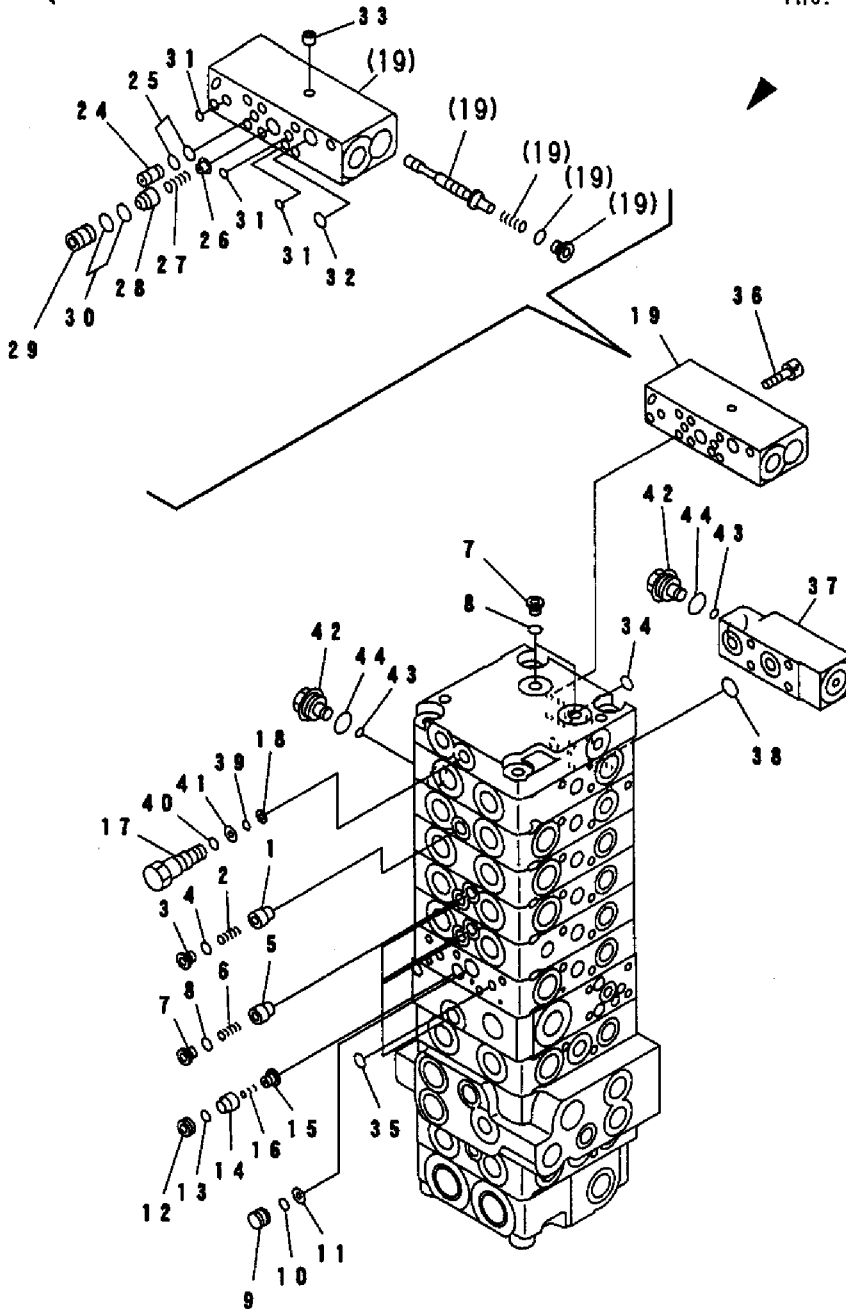
Fig. 224 コントロールバルブ (7) CONTROL VALVE (7)

見出しNo. 19は、見出しNo. (19) から33を含みます。
19 inc. (19) ~ 33

コントロールバルブ
CONTROL VALVE
(182901-42240)

Fig. 218 REF. No. 1

inc.	Fig.	REF.	No.
	218	REF. No. (1) ~ 11	
	219	REF. No. 1 ~ 12	
	220	REF. No. 1 ~ 5	
	221	REF. No. 1 ~ 5	
	222	REF. No. 1 ~ 25	
	223	REF. No. 1 ~ 29	
	224	REF. No. 1 ~ 44	
	225	REF. No. 1 ~ 23	
	226	REF. No. 1 ~ 10	
	227	REF. No. 1 ~ 10	
	228	REF. No. 1 ~ 24	
	229	REF. No. 1 ~ 22	
	230	REF. No. (1) ~ 25	
	231	REF. No. (1) ~ 16	
	232	REF. No. (1) ~ 32	



1,2,,182901-41750,, "VALVE SUB ASSY",1,,,,,,,,,,,,,,,,,,,,,
3,3,,182901-29250,, BOLT,2,,,,,,,,,,,,,,,,,,,,,
4,3,,182901-19560,, O-RING,1,,,,,,,,,,,,,,,,,,,,,
5,3,,182901-24740,, O-RING,1,,,,,,,,,,,,,,,,,,,,,
6,3,,182901-40770,, O-RING,1,,,,,,,,,,,,,,,,,,,,,
8,3,,182901-42200,, SPRING,1,,,,,,,,,,,,,,,,,,,,,
9,3,,182900-65700,, PLUG,1,,,,,,,,,,,,,,,,,,,,,
10,3,,182900-44580,, O-RING,1,,,,,,,,,,,,,,,,,,,,,
12,3,,182901-41760,, "VALVE SUB ASS'Y",1,,,,,,,,,,,,,,,,,,,,,
14,3,,182901-42100,, SPRING,1,,,,,,,,,,,,,,,,,,,,,
15,3,,182900-04450,, O-RING,1,,,,,,,,,,,,,,,,,,,,,
16,3,,182901-29620,, RING,1,,,,,,,,,,,,,,,,,,,,,
17,3,,24315-000120,, "O-RING 1B P-12.0",1,,,,,,,,,,,,,,,,,,,,,
18,3,,953KM0-01884,, RING,1,,,,,,,,,,,,,,,,,,,,,
20,3,,182901-42260,, ORIFICE,1,,,,,,,,,,,,,,,,,,,,,
21,2,,182901-42220,, O-RING,1,,,,,,,,,,,,,,,,,,,,,
22,2,,182901-19340,, BOLT,5,,,,,,,,,,,,,,,,,,,,,
23,2,,953KM0-00220,, WASHER,5,,,,,,,,,,,,,,,,,,,,,

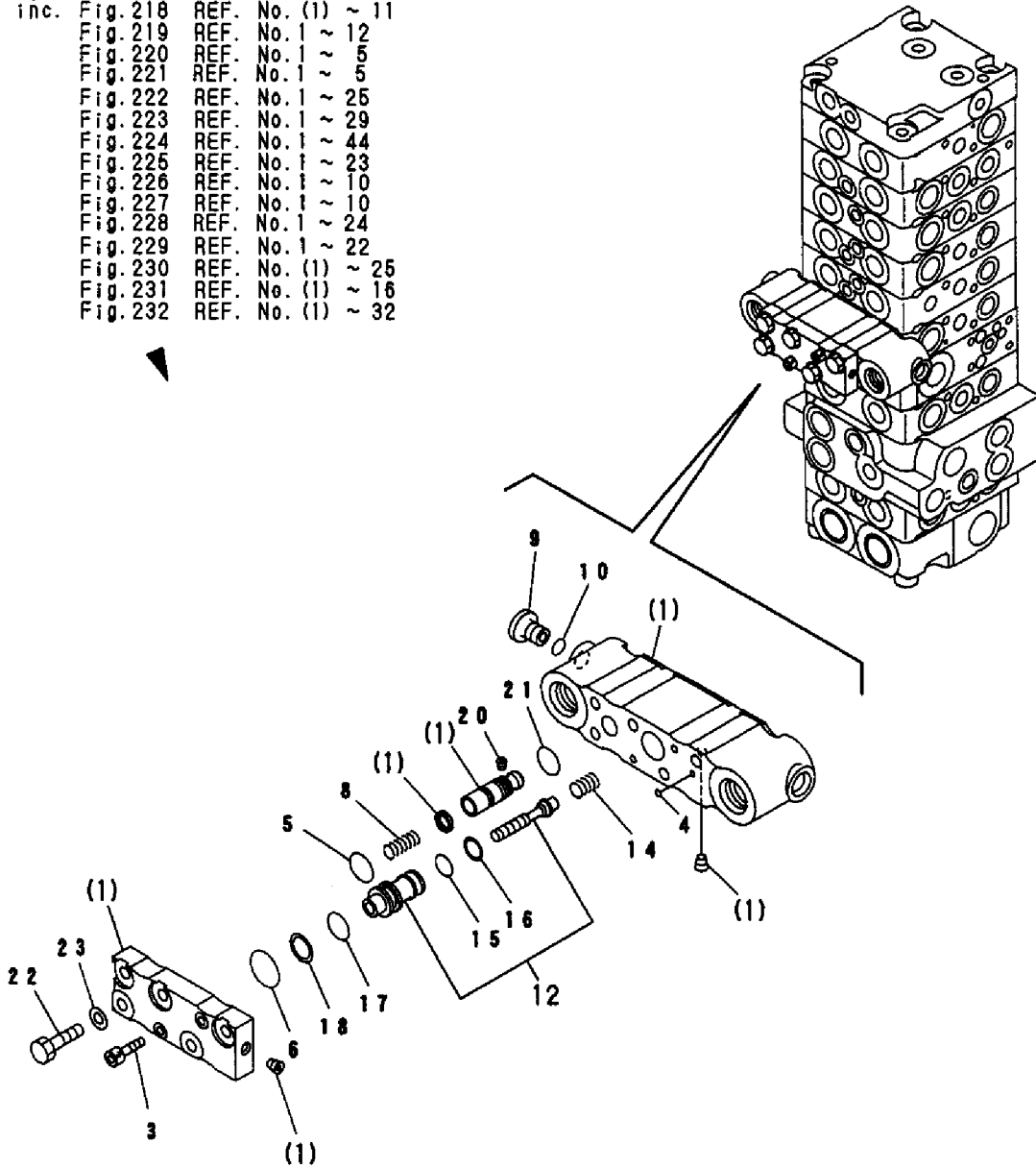
Fig. 225 コントロールバルブ (8) CONTROL VALVE (8)

コントロールバルブ
CONTROL VALVE
(182901-42240)

Fig. 218 REF. No. 1

inc.	Fig. 218	REF. No. (1) ~ 11
	Fig. 219	REF. No. 1 ~ 12
	Fig. 220	REF. No. 1 ~ 5
	Fig. 221	REF. No. 1 ~ 5
	Fig. 222	REF. No. 1 ~ 25
	Fig. 223	REF. No. 1 ~ 29
	Fig. 224	REF. No. 1 ~ 44
	Fig. 225	REF. No. 1 ~ 23
	Fig. 226	REF. No. 1 ~ 10
	Fig. 227	REF. No. 1 ~ 10
	Fig. 228	REF. No. 1 ~ 24
	Fig. 229	REF. No. 1 ~ 22
	Fig. 230	REF. No. (1) ~ 25
	Fig. 231	REF. No. (1) ~ 16
	Fig. 232	REF. No. (1) ~ 32

見出しNo. 1は、見出しNo. (1) から20を含みます。
1 inc. (1) ~ 20



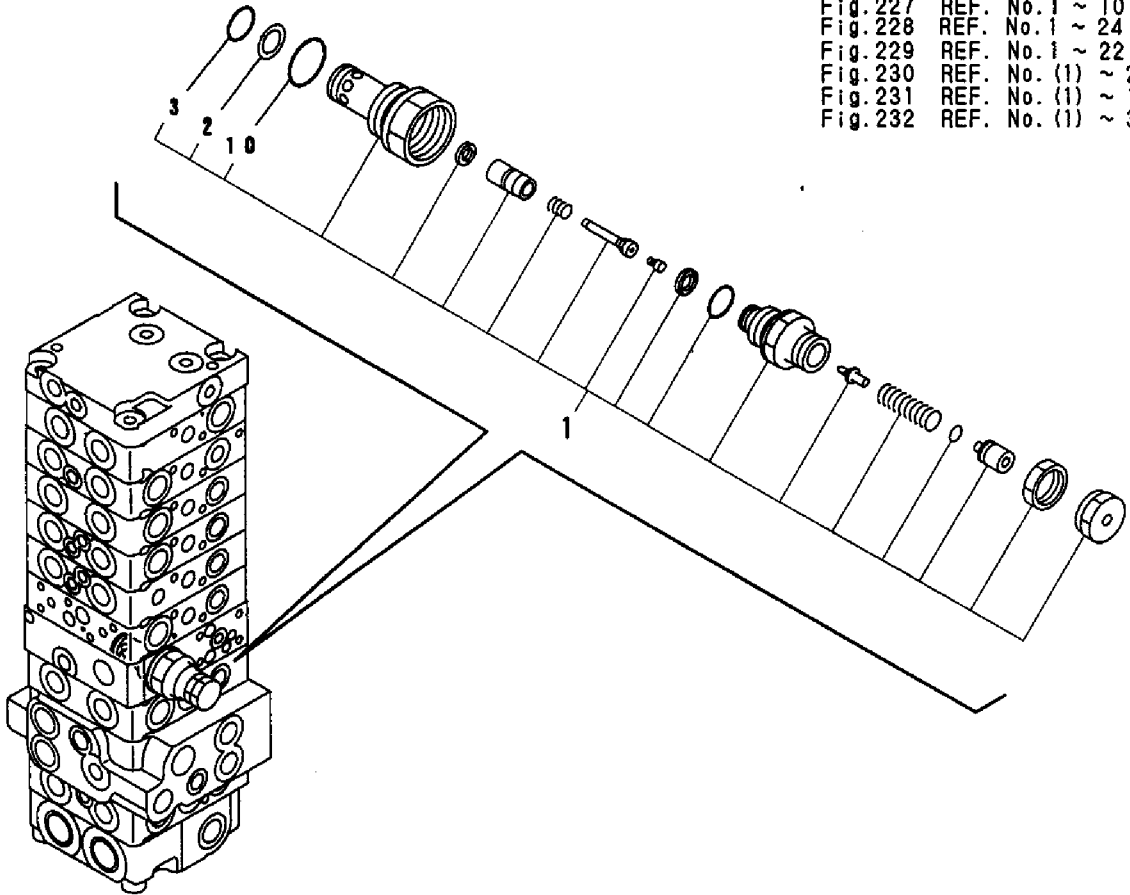
1,2,,182901-41660,, "RELIEF VALVE ASS'Y",1,,,,,,,,,,,,,
2,3,,182900-60660,, RING,1,,,,,,,,,,,,,
3,3,,953KM0-01653,, O-RING,1,,,,,,,,,,,,,
10,3,,182900-61270,, O-RING,1,,,,,,,,,,,,,

Fig. 226 コントロールバルブ (9) CONTROL VALVE (9)

コントロールバルブ
CONTROL VALVE
(182901-42240)

Fig. 218 REF. No. 1

inc.	Fig. 218	REF. No. (1)	~ 11
	Fig. 219	REF. No. 1	~ 12
	Fig. 220	REF. No. 1	~ 5
	Fig. 221	REF. No. 1	~ 5
	Fig. 222	REF. No. 1	~ 25
	Fig. 223	REF. No. 1	~ 29
	Fig. 224	REF. No. 1	~ 44
	Fig. 225	REF. No. 1	~ 23
	Fig. 226	REF. No. 1	~ 10
	Fig. 227	REF. No. 1	~ 10
	Fig. 228	REF. No. 1	~ 24
	Fig. 229	REF. No. 1	~ 22
	Fig. 230	REF. No. (1)	~ 25
	Fig. 231	REF. No. (1)	~ 16
	Fig. 232	REF. No. (1)	~ 32



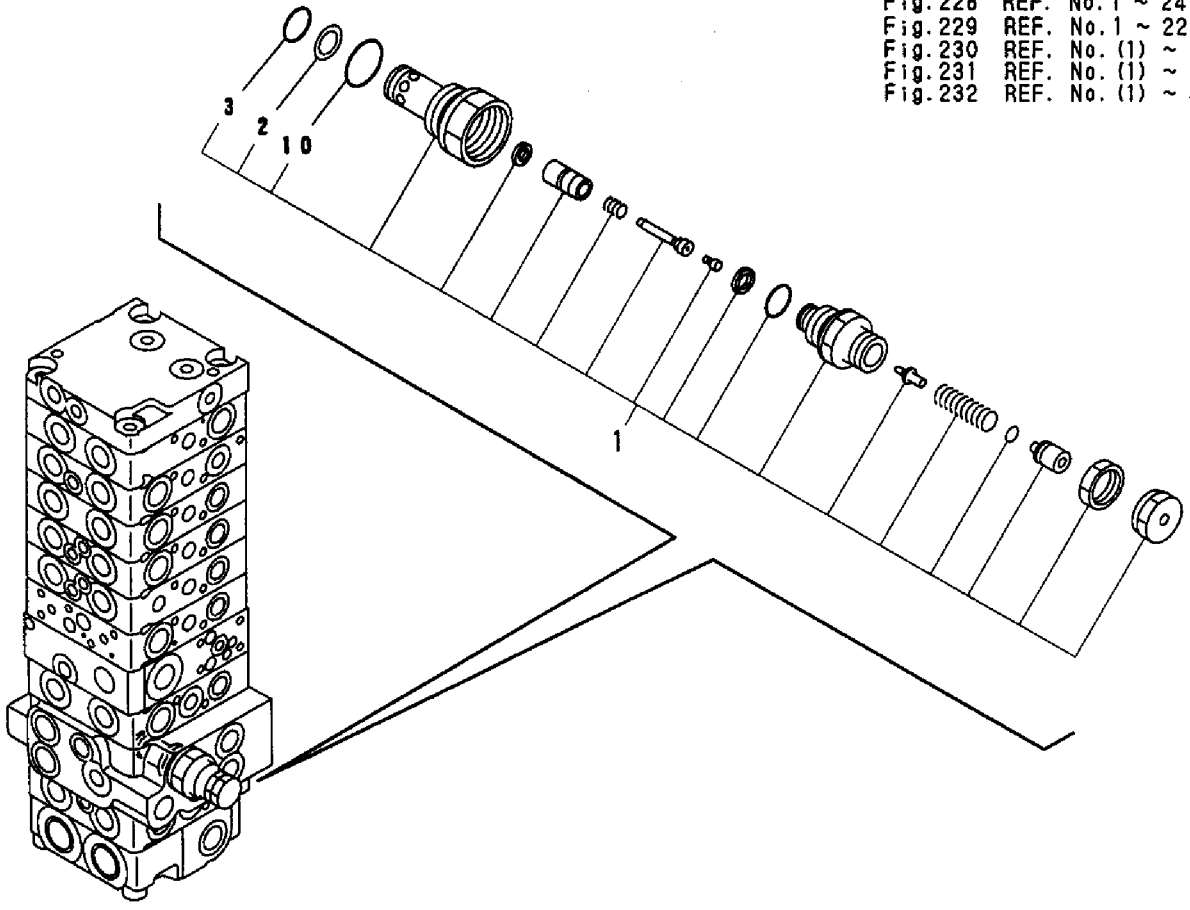
1,2,,182901-41690,, "RELIEF VALVE ASS'Y",1,,,,,,,,,,,,,
2,3,,182900-60660,, RING,1,,,,,,,,,,,,,
3,3,,953KM0-01653,, O-RING,1,,,,,,,,,,,,,
10,3,,953KM0-00390,, O-RING,1,,,,,,,,,,,,,

Fig. **227** コントロールバルブ (10)
CONTROL VALVE (10)

コントロールバルブ
CONTROL VALVE
(182901-42240)

Fig. 218 REF. No. 1

inc.	Fig. 218	REF. No. (1) ~ 11
	Fig. 219	REF. No. 1 ~ 12
	Fig. 220	REF. No. 1 ~ 5
	Fig. 221	REF. No. 1 ~ 5
	Fig. 222	REF. No. 1 ~ 25
	Fig. 223	REF. No. 1 ~ 29
	Fig. 224	REF. No. 1 ~ 44
	Fig. 225	REF. No. 1 ~ 23
	Fig. 226	REF. No. 1 ~ 10
	Fig. 227	REF. No. 1 ~ 10
	Fig. 228	REF. No. 1 ~ 24
	Fig. 229	REF. No. 1 ~ 22
	Fig. 230	REF. No. (1) ~ 25
	Fig. 231	REF. No. (1) ~ 16
	Fig. 232	REF. No. (1) ~ 32

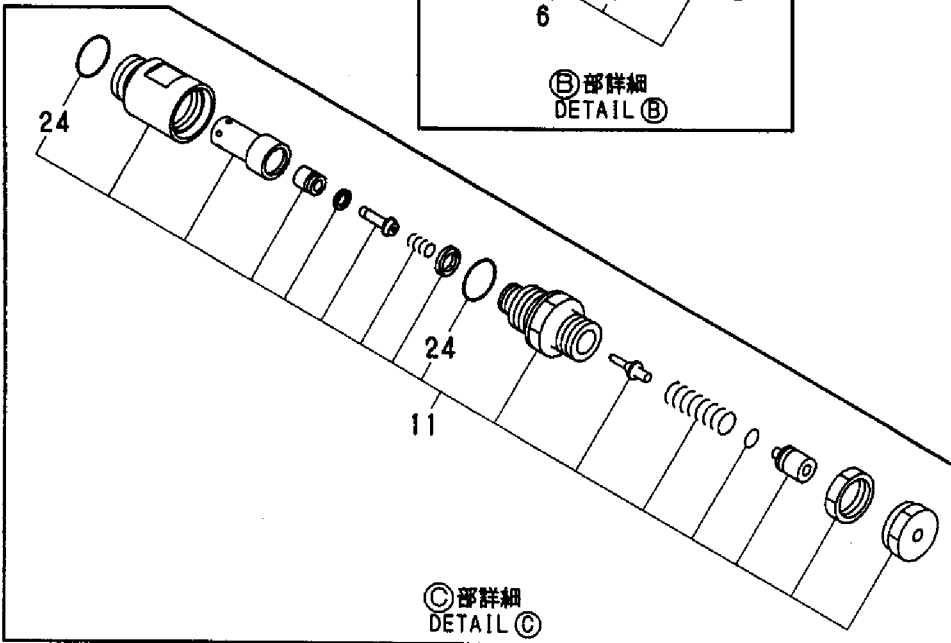
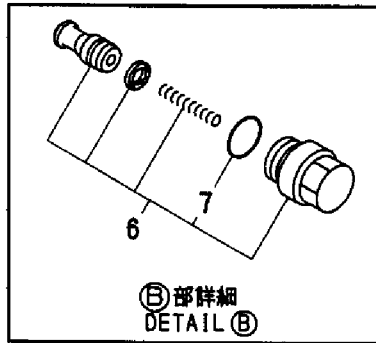
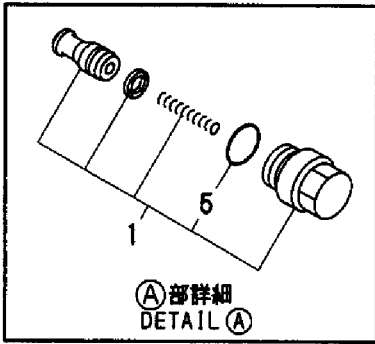
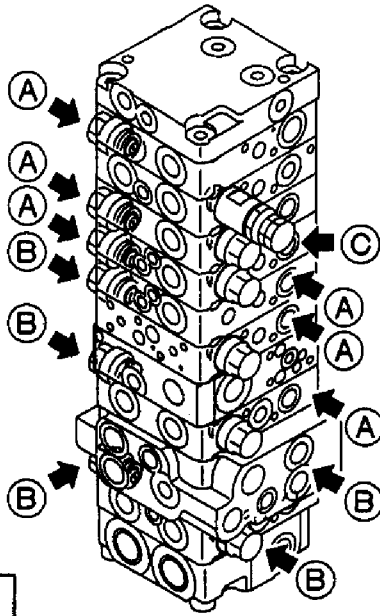


1,2,,182900-94340,, "VALVE ASS'Y",6,,,,,,,,,,,,,,,,,,,,,
5,3,,953KM0-00389,, O-RING,6,,,,,,,,,,,,,,,,,,,,,
6,2,,182901-41710,, "VALVE ASS'Y",5,,,,,,,,,,,,,,,,,,,,,
7,3,,953KM0-00389,, O-RING,5,,,,,,,,,,,,,,,,,,,,,
11,2,,182901-41680,, "VALVE ASS'Y",1,,,,,,,,,,,,,,,,,,,,,
24,3,,953KM0-00384,, O-RING,2,,,,,,,,,,,,,,,,,,,,,

Fig. 228 コントロールバルブ (11) CONTROL VALVE (11)

コントロールバルブ
CONTROL VALVE
(182901-42240)

Fig. 218	REF. No. (1)	~ 11
Fig. 219	REF. No. 1	~ 12
Fig. 220	REF. No. 1	~ 5
Fig. 221	REF. No. 1	~ 5
Fig. 222	REF. No. 1	~ 25
Fig. 223	REF. No. 1	~ 29
Fig. 224	REF. No. 1	~ 44
Fig. 225	REF. No. 1	~ 23
Fig. 226	REF. No. 1	~ 10
Fig. 227	REF. No. 1	~ 10
Fig. 228	REF. No. 1	~ 24
Fig. 229	REF. No. 1	~ 22
Fig. 230	REF. No. (1)	~ 25
Fig. 231	REF. No. (1)	~ 16
Fig. 232	REF. No. (1)	~ 32

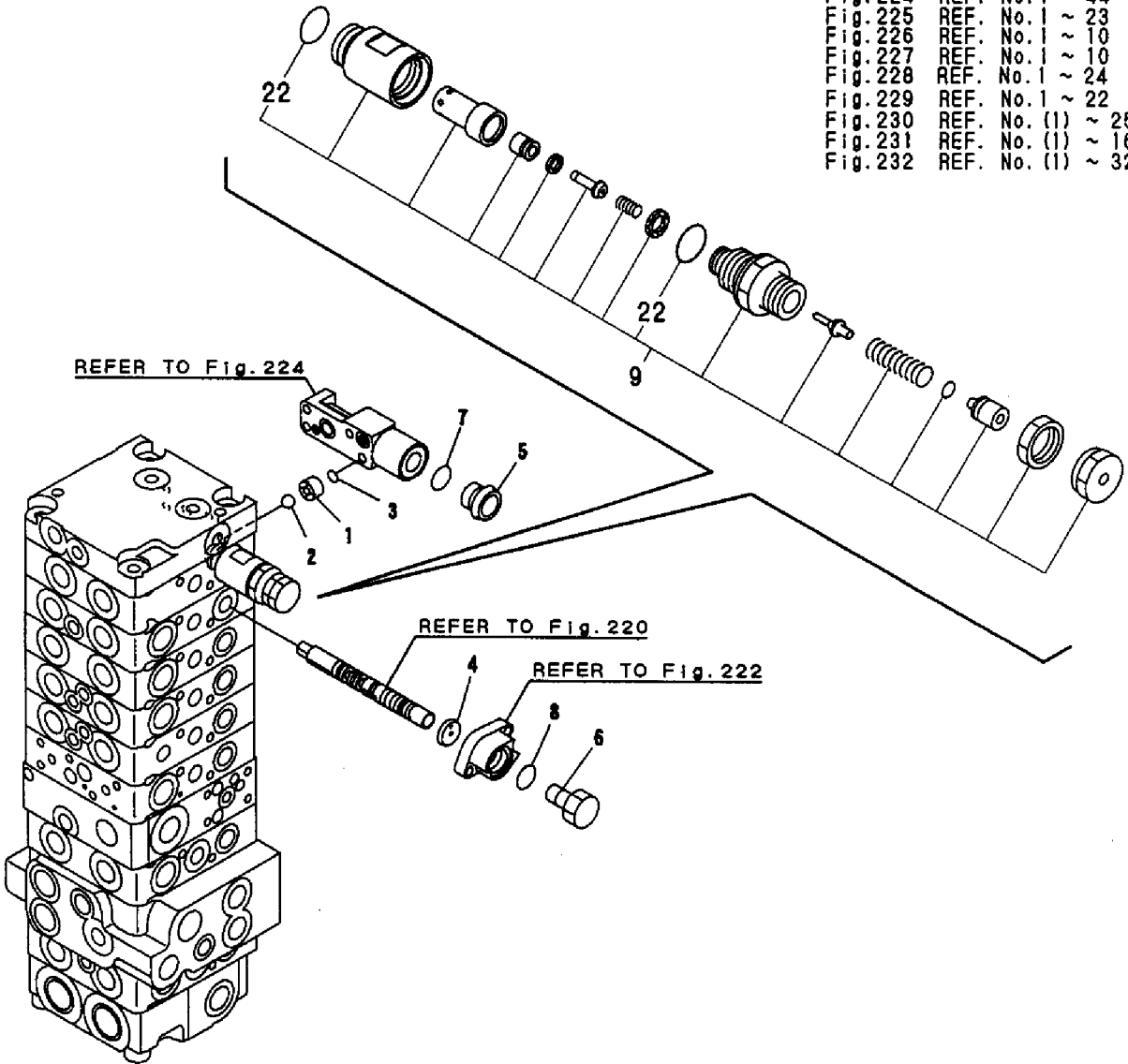


1,2,,182901-42700,,SEAT,1,,,,,,,,,,,,,
2,2,,953KM0-12462,,BALL,1,,,,,,,,,,,,,
3,2,,24315-000090,, "O-RING 1B P- 9.0",1,,,,,,,,,,,,,
4,2,,182901-24640,,RETAINER,1,,,,,,,,,,,,,
5,2,,953KM0-02494,,PLUG,1,,,,,,,,,,,,,
6,2,,182900-24670,,PLUG,1,,,,,,,,,,,,,
7,2,,953KM0-00051,,O-RING,1,,,,,,,,,,,,,
8,2,,953KM0-00388,,O-RING,1,,,,,,,,,,,,,
9,2,,182901-41670,, "VALVE ASS'Y",1,,,,,,,,,,,,,
22,3,,953KM0-00384,,O-RING,2,,,,,,,,,,,,,
22-1,3,,953KM0-00389,,O-RING,2,,,,,,S,,*,M/#10501,,,,,,,,,,,,,I

Fig. 229 コントロールバルブ (12) CONTROL VALVE (12)

コントロールバルブ
CONTROL VALVE
(182901-42240)

Fig. 218	REF. No. 1	REF. No. (1) ~ 31
Fig. 219	REF. No. 1 ~ 12	
Fig. 220	REF. No. 1 ~ 5	
Fig. 221	REF. No. 1 ~ 5	
Fig. 222	REF. No. 1 ~ 25	
Fig. 223	REF. No. 1 ~ 29	
Fig. 224	REF. No. 1 ~ 44	
Fig. 225	REF. No. 1 ~ 23	
Fig. 226	REF. No. 1 ~ 10	
Fig. 227	REF. No. 1 ~ 10	
Fig. 228	REF. No. 1 ~ 24	
Fig. 229	REF. No. 1 ~ 22	
Fig. 230	REF. No. (1) ~ 25	
Fig. 231	REF. No. (1) ~ 16	
Fig. 232	REF. No. (1) ~ 32	



4,3,,182901-41860,,SPRING,1,,,,,,,,,,,,,
5,3,,182901-41850,,WASHER,1,,,,,,,,,,,,,
6,3,,182901-41840,,PLUG,4,,,,,,,,,,,,,
9,3,,182901-41870,,SPRING,2,,,,,,,,,,,,,
11,3,,182901-41890,,VALVE,2,,,,,,,,,,,,,
12,3,,182900-32170,,SPRING,2,,,,,,,,,,,,,
13,3,,182901-41880,,PLUG,2,,,,,,,,,,,,,
14,3,,182901-19580,,O-RING,1,,,,,,,,,,,,,
16,3,,953KM0-00051,,O-RING,6,,,,,,,,,,,,,
17,3,,24325-001000,, "O-RING 1B G-100.0",1,,,,,,,,,,,,,
19,3,,182901-24740,,O-RING,1,,,,,,,,,,,,,
22,3,,182901-19560,,O-RING,1,,,,,,,,,,,,,
24,3,,182901-24700,,PLUG,1,,,,,,,,,,,,,
25,3,,182900-24660,,O-RING,1,,,,,,,,,,,,,

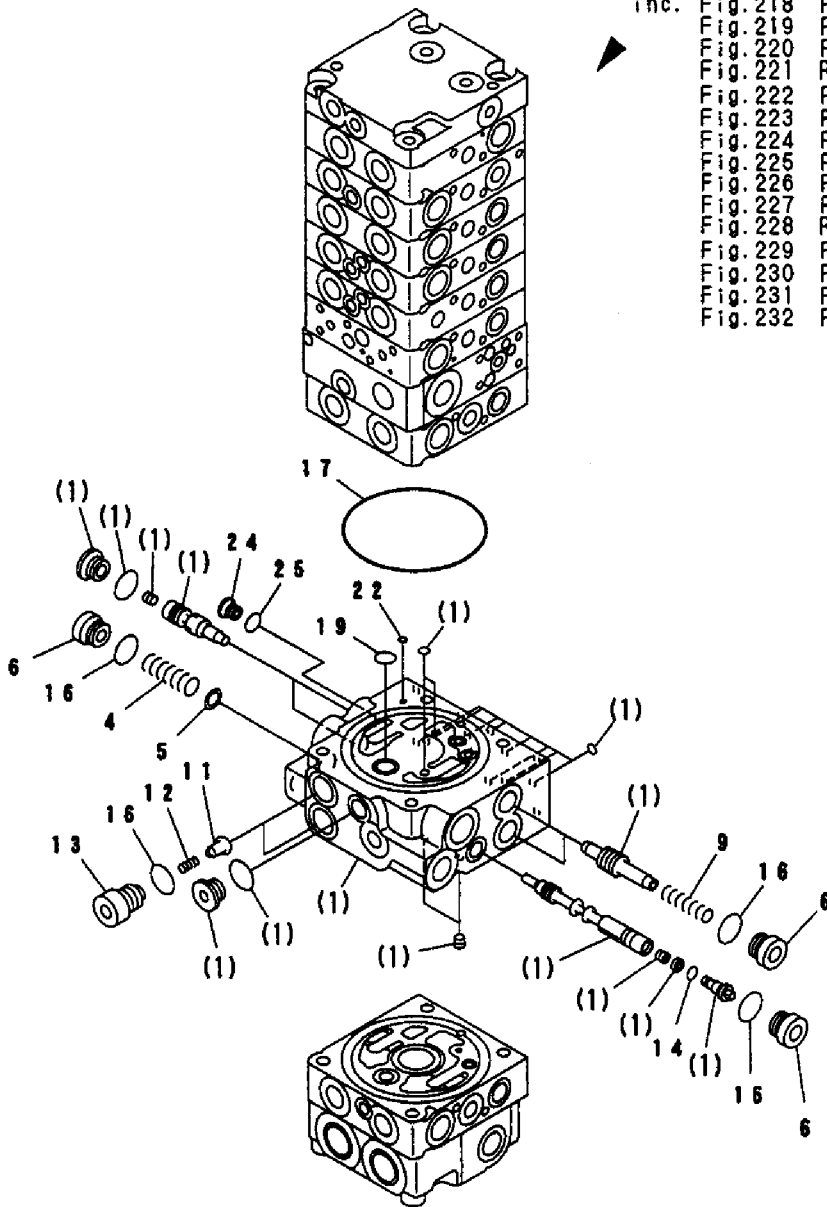
Fig. 230 コントロールバルブ (13) CONTROL VALVE (13)

見出しNo. (1) は、見出しNo. (1) から25を含みます。
(1) inc. (1) ~ 25

コントロールバルブ
CONTROL VALVE
(182901-42240)

Fig. 218 REF. No. 1
inc.

Fig. 218	REF. No. (1) ~ 11
Fig. 219	REF. No. 1 ~ 12
Fig. 220	REF. No. 1 ~ 5
Fig. 221	REF. No. 1 ~ 5
Fig. 222	REF. No. 1 ~ 25
Fig. 223	REF. No. 1 ~ 29
Fig. 224	REF. No. 1 ~ 44
Fig. 225	REF. No. 1 ~ 23
Fig. 226	REF. No. 1 ~ 10
Fig. 227	REF. No. 1 ~ 10
Fig. 228	REF. No. 1 ~ 24
Fig. 229	REF. No. 1 ~ 22
Fig. 230	REF. No. (1) ~ 25
Fig. 231	REF. No. (1) ~ 16
Fig. 232	REF. No. (1) ~ 32



2,3,,182901-24700,,PLUG,3,,,,,,,,,,,,,
3,3,,182900-24660,,O-RING,7,,,,,,,,,,,,,
6,3,,182900-44580,,O-RING,2,,,,,,,,,,,,,
7,3,,182901-19560,,O-RING,4,,,,,,,,,,,,,
8,3,,182901-29610,,RING,6,,,,,,,,,,,,,
16,2,,182901-29060,,BOLT,5,,,,,,,,,,,,,

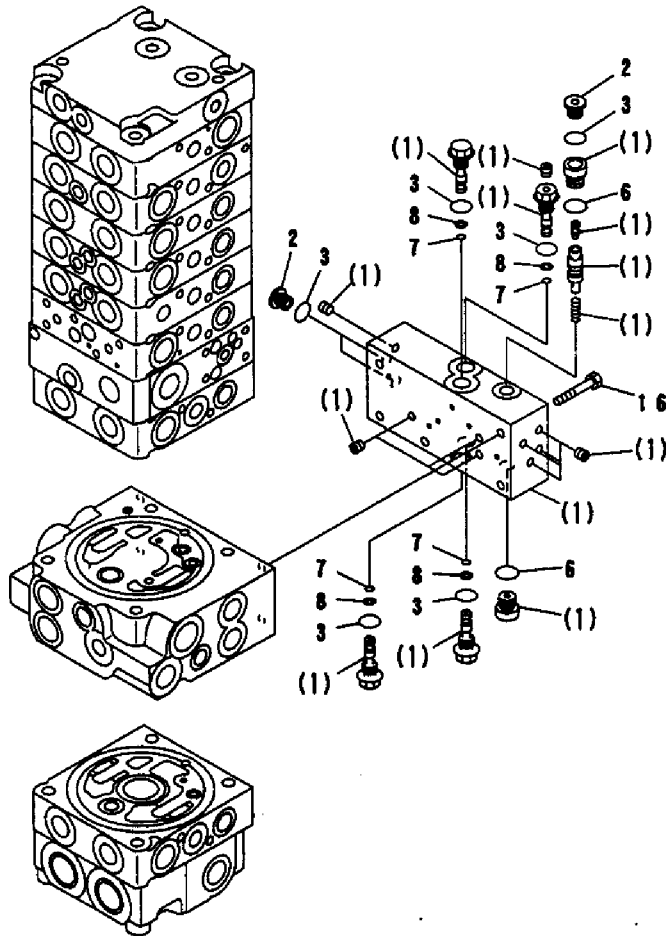
Fig. 231 コントロールバルブ (14) CONTROL VALVE (14)

見出しNo. (1) は、見出しNo. (1) から8を含みます。
(1) inc. (1) ~ 8

コントロールバルブ
CONTROL VALVE
(182901-42240)

Fig. 218 REF. No. 1
inc.

Fig. 218	REF. No. (1) ~ 11
Fig. 219	REF. No. 1 ~ 12
Fig. 220	REF. No. 1 ~ 5
Fig. 221	REF. No. 1 ~ 5
Fig. 222	REF. No. 1 ~ 25
Fig. 223	REF. No. 1 ~ 29
Fig. 224	REF. No. 1 ~ 44
Fig. 225	REF. No. 1 ~ 23
Fig. 226	REF. No. 1 ~ 10
Fig. 227	REF. No. 1 ~ 10
Fig. 228	REF. No. 1 ~ 24
Fig. 229	REF. No. 1 ~ 22
Fig. 230	REF. No. (1) ~ 25
Fig. 231	REF. No. (1) ~ 16
Fig. 232	REF. No. (1) ~ 32



5,4,,182901-42690,,SPRING,1,,,,,,,,,,,,,
7,3,,182901-41820,,SPRING,1,,,,,,,,,,,,,
8,3,,182901-24700,,PLUG,2,,,,,,,,,,,,,
10,3,,182900-24660,,O-RING,2,,,,,,,,,,,,,
14,3,,24315-000070,, "O-RING 1B P-7.0",3,,,,,,,,,,,,,
15,3,,24315-000120,, "O-RING 1B P-12.0",1,,,,,,,,,,,,,
16,3,,953KM0-01884,,RING,1,,,,,,,,,,,,,
17,3,,182900-82710,,BOLT,4,,,,,,,,,,,,,
18,3,,182901-29580,,O-RING,2,,,,,,,,,,,,,
19,3,,182901-41830,,PLUG,1,,,,,,,,,,,,,
22,4,,182901-41800,,PLUG,2,,,,,,,,,,,,,
25,4,,182901-41810,,PLUG,1,,,,,,,,,,,,,
26,4,,182901-19580,,O-RING,2,,,,,,,,,,,,,
27,4,,182901-19560,,O-RING,1,,,,,,,,,,,,,
28,4,,182901-29610,,RING,1,,,,,,,,,,,,,
31,3,,24325-001000,, "O-RING 1B G-100.0",1,,,,,,,,,,,,,
32,3,,182901-24740,,O-RING,1,,,,,,,,,,,,,

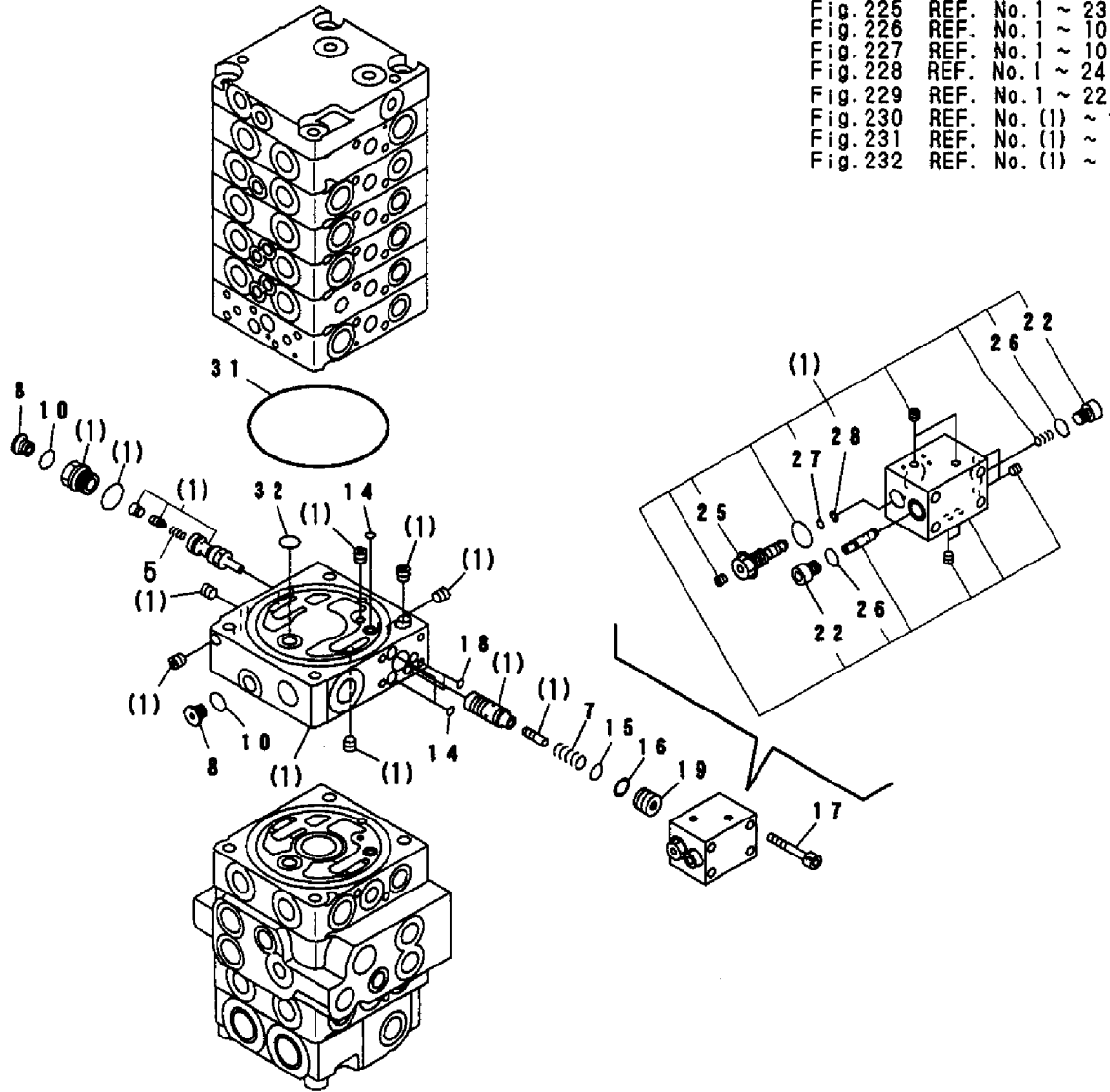
Fig. 232 コントロールバルブ (15) CONTROL VALVE (15)

コントロールバルブ
CONTROL VALVE
(182901-42240)

Fig. 218 REF. No. 1

inc.	Fig. 218	REF. No. (1) ~ 11
	Fig. 219	REF. No. 1 ~ 12
	Fig. 220	REF. No. 1 ~ 5
	Fig. 221	REF. No. 1 ~ 5
	Fig. 222	REF. No. 1 ~ 25
	Fig. 223	REF. No. 1 ~ 29
	Fig. 224	REF. No. 1 ~ 44
	Fig. 225	REF. No. 1 ~ 23
	Fig. 226	REF. No. 1 ~ 10
	Fig. 227	REF. No. 1 ~ 10
	Fig. 228	REF. No. 1 ~ 24
	Fig. 229	REF. No. 1 ~ 22
	Fig. 230	REF. No. (1) ~ 25
	Fig. 231	REF. No. (1) ~ 16
	Fig. 232	REF. No. (1) ~ 32

見出しNo. (1) は、見出しNo. (1) から32を含みます。
(1) inc. (1) ~ 32



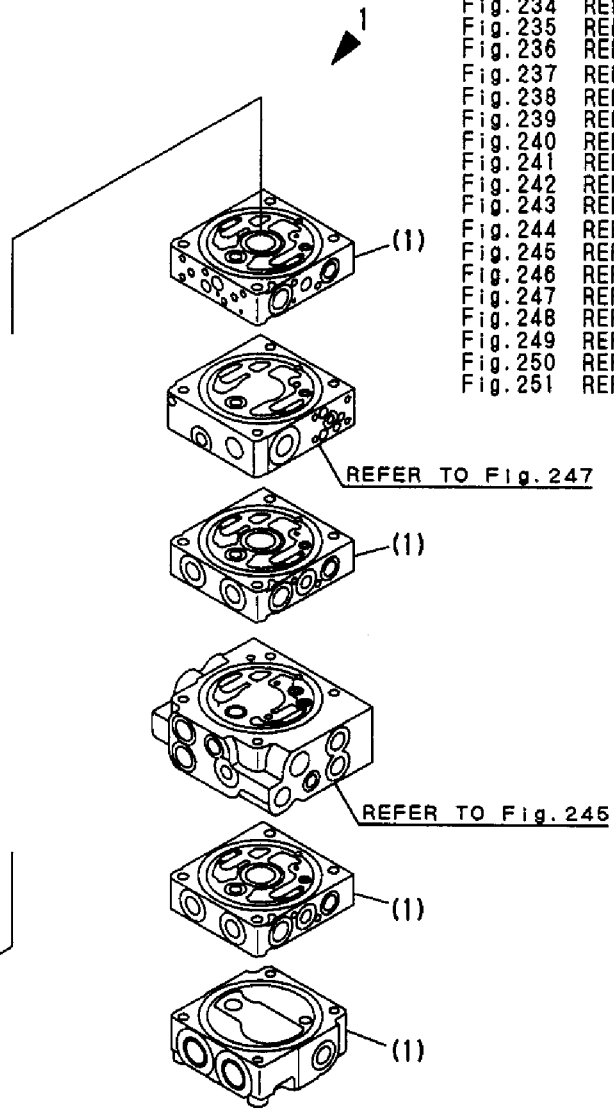
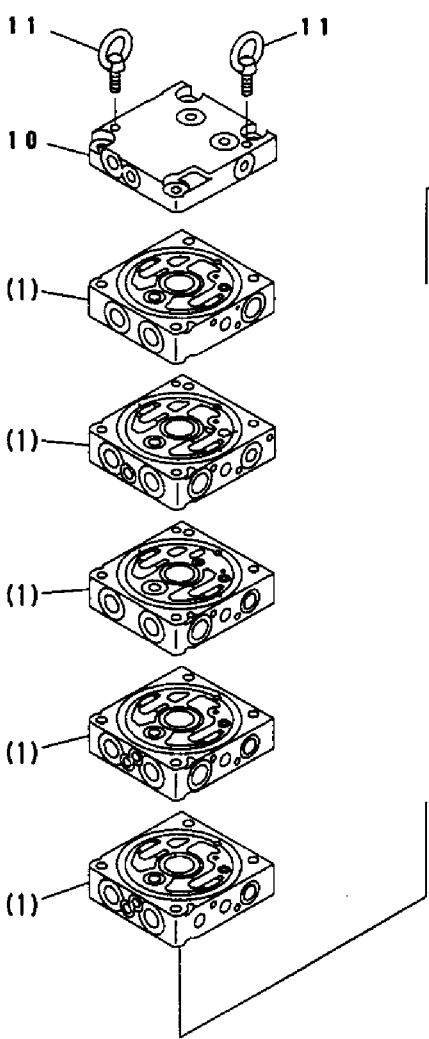
1,1,,182901-41640,, "CONTROL VALVE",1,,,,,,,,1,,,,,,,,,
10,2,,182901-41790,,COVER,1,,,,,,,,,,,,,,,,,
11,2,,182901-19530,,BOLT,2,,,,,,,,,,,,,,,,,

Fig. 233 コントロールバルブ (1) (2アクチュエータ) CONTROL VALVE (1) (2 ACTUATOR)

コントロールバルブ (2アクチュエータ)
CONTROL VALVE (2 ACTUATOR)
(182901-41640)

Fig. 233 REF. No. 1

inc.	Fig. 233	REF. No. (1) ~ 11
	Fig. 234	REF. No. 1 ~ 12
	Fig. 235	REF. No. 1 ~ 5
	Fig. 236	REF. No. 1 ~ 5
	Fig. 237	REF. No. 1 ~ 25
	Fig. 238	REF. No. 1 ~ 29
	Fig. 239	REF. No. 1 ~ 44
	Fig. 240	REF. No. 1 ~ 23
	Fig. 241	REF. No. 1 ~ 10
	Fig. 242	REF. No. 1 ~ 10
	Fig. 243	REF. No. 1 ~ 24
	Fig. 244	REF. No. 1 ~ 22
	Fig. 245	REF. No. (1) ~ 25
	Fig. 246	REF. No. (1) ~ 16
	Fig. 247	REF. No. (1) ~ 32
	Fig. 248	REF. No. 1 ~ 30
	Fig. 249	REF. No. 1 ~ 5
	Fig. 250	REF. No. 1 ~ 30
	Fig. 251	REF. No. 1 ~ 14

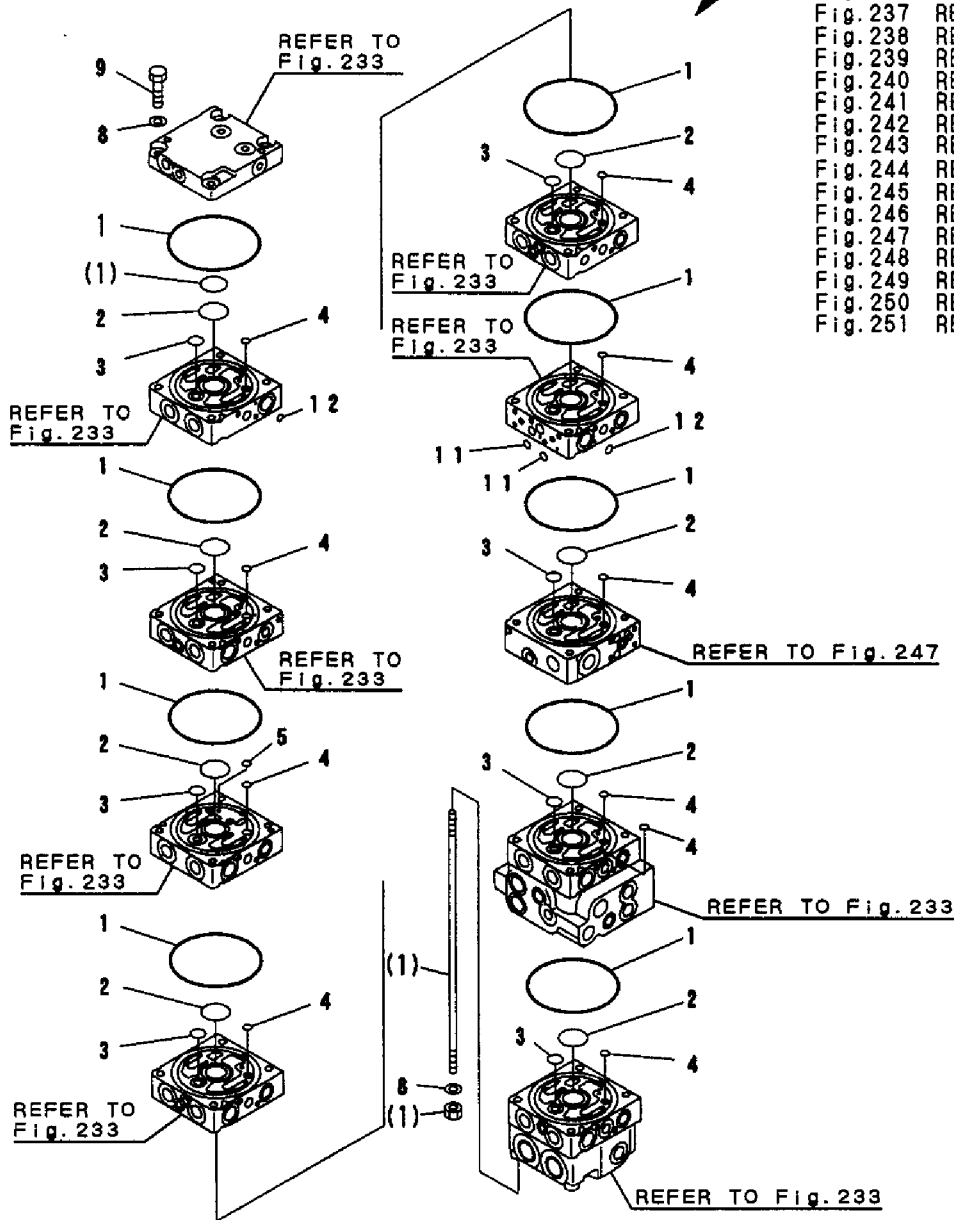


1,2,,24325-001000,, "O-RING 1B G-100.0",9,,,,,,,,,,,,,,,,,,,,,
2,2,,182901-24720,, O-RING,8,,,,,,,,,,,,,,,,,,,,,
3,2,,182901-24740,, O-RING,8,,,,,,,,,,,,,,,,,,,,,
4,2,,24315-000070,, "O-RING 1B P-7.0",10,,,,,,,,,,,,,,,,,,,,,
5,2,,182901-19560,, O-RING,6,,,,,,,,,,,,,,,,,,,,,
8,2,,953KM0-02074,, WASHER,8,,,,,,,,,,,,,,,,,,,,,
9,2,,182901-42090,, BOLT,4,,,,,,,,,,,,,,,,,,,,,
11,2,,182901-19560,, O-RING,2,,,,,,,,,,,,,,,,,,,,,
12,2,,182901-19560,, O-RING,2,,,,,,,,,,,,,,,,,,,,,

Fig. 234 コントロールバルブ (2) (2アクチュエータ) CONTROL VALVE (2) (2 ACTUATOR)

コントロールバルブ (2アクチュエータ)
CONTROL VALVE (2 ACTUATOR)
(182901-41640)
Fig. 233 REF. No. 1

inc.	Fig. 233	REF. No. (1) ~ 11
	Fig. 234	REF. No. 1 ~ 12
	Fig. 235	REF. No. 1 ~ 5
	Fig. 236	REF. No. 1 ~ 5
	Fig. 237	REF. No. 1 ~ 25
	Fig. 238	REF. No. 1 ~ 29
	Fig. 239	REF. No. 1 ~ 44
	Fig. 240	REF. No. 1 ~ 23
	Fig. 241	REF. No. 1 ~ 10
	Fig. 242	REF. No. 1 ~ 10
	Fig. 243	REF. No. 1 ~ 24
	Fig. 244	REF. No. 1 ~ 22
	Fig. 245	REF. No. (1) ~ 25
	Fig. 246	REF. No. (1) ~ 16
	Fig. 247	REF. No. (1) ~ 32
	Fig. 248	REF. No. 1 ~ 30
	Fig. 249	REF. No. 1 ~ 5
	Fig. 250	REF. No. 1 ~ 30
	Fig. 251	REF. No. 1 ~ 14



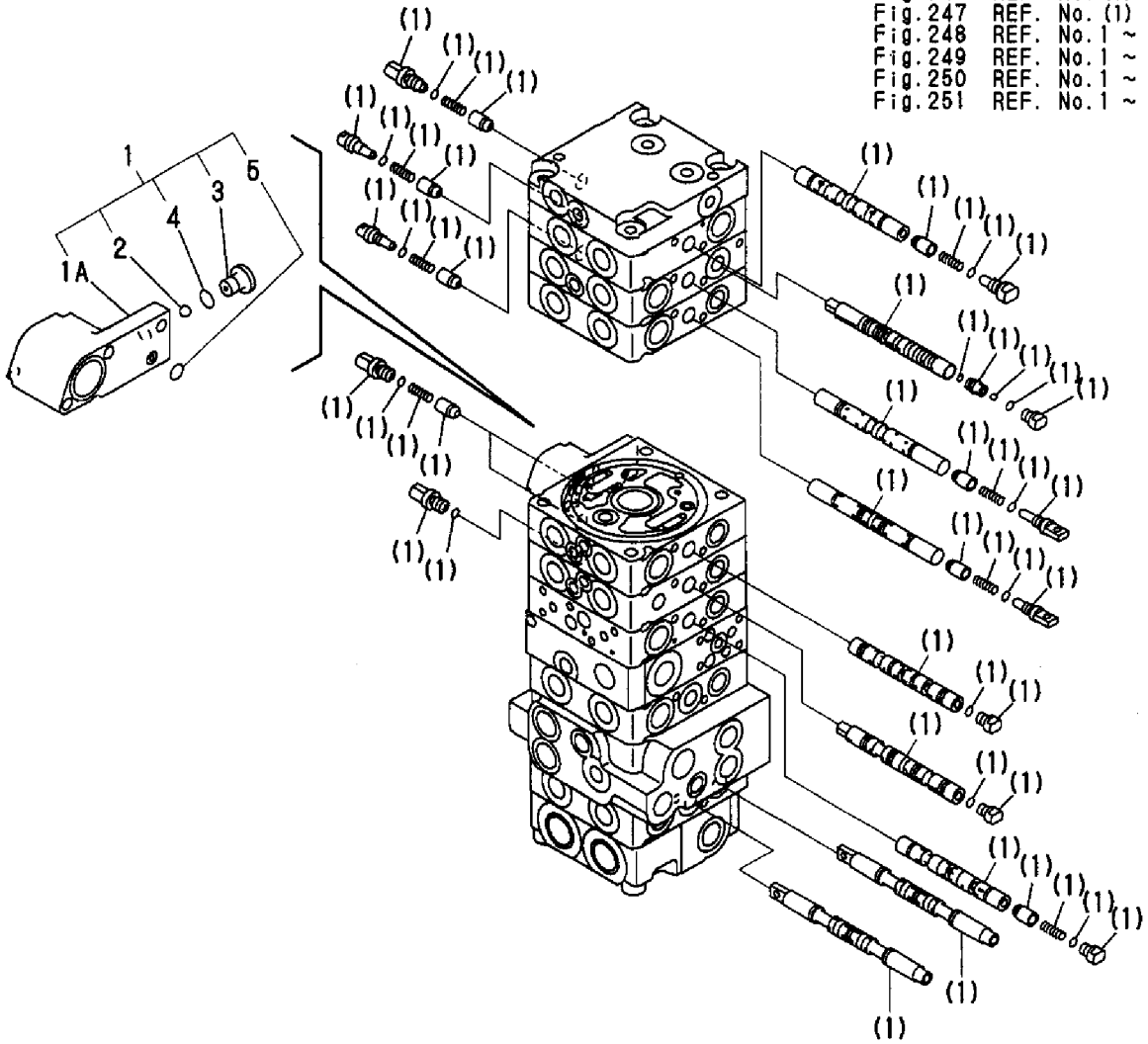
1,2,,182901-24450,, "CASE SUB ASS'Y",1,,,,,,,,,,,,,,,,,,,,,
1A,3,,182901-24600,,CASE,1,,,,,,,,,,,,,,,,,,,,,
2,3,,953KM0-12462,,BALL,1,,,,,,,,,,,,,,,,,,,,,
3,3,,182901-24810,,PLUG,1,,,,,,,,,,,,,,,,,,,,,
4,3,,182901-19580,,O-RING,1,,,,,,,,,,,,,,,,,,,,,
5,3,,182901-19560,,O-RING,1,,,,,,,,,,,,,,,,,,,,,

Fig. 235 コントロールバルブ (3) (2アクチュエータ) CONTROL VALVE (3) (2 ACTUATOR)

コントロールバルブ (2アクチュエータ)
CONTROL VALVE (2 ACTUATOR)
(182901-41640)

Fig. 233 REF. No. 1

inc.	Fig.	REF.	No.	(1) ~
	Fig. 233	REF. No. 1	~	11
	Fig. 234	REF. No. 1	~	12
	Fig. 235	REF. No. 1	~	5
	Fig. 236	REF. No. 1	~	5
	Fig. 237	REF. No. 1	~	25
	Fig. 238	REF. No. 1	~	29
	Fig. 239	REF. No. 1	~	44
	Fig. 240	REF. No. 1	~	23
	Fig. 241	REF. No. 1	~	10
	Fig. 242	REF. No. 1	~	10
	Fig. 243	REF. No. 1	~	24
	Fig. 244	REF. No. 1	~	22
	Fig. 245	REF. No. (1)	~	25
	Fig. 246	REF. No. (1)	~	16
	Fig. 247	REF. No. (1)	~	32
	Fig. 248	REF. No. 1	~	30
	Fig. 249	REF. No. 1	~	5
	Fig. 250	REF. No. 1	~	30
	Fig. 251	REF. No. 1	~	14



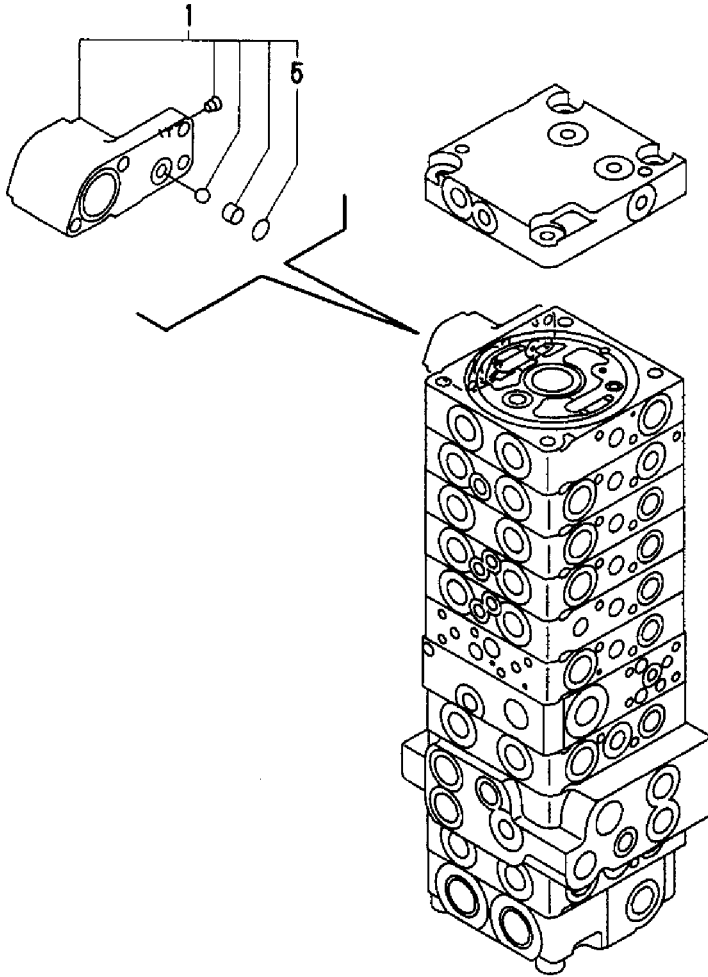
1,2,,182901-41720,, "CASE SUB ASS'Y",1,,,,,,,,,,,,,,,,,,,,,
5,3,,24315-000090,, "O-RING 1B P- 9.0",1,,,,,,,,,,,,,,,,,,,,,

Fig. 236 コントロールバルブ (4) (2アクチュエータ) CONTROL VALVE (4) (2 ACTUATOR)

コントロールバルブ (2アクチュエータ)
CONTROL VALVE (2 ACTUATOR)
(182901-41640)

Fig. 233 REF. No. 1

inc. Fig. 233	REF. No. (1) ~ 11
Fig. 234	REF. No. 1 ~ 12
Fig. 235	REF. No. 1 ~ 5
Fig. 236	REF. No. 1 ~ 5
Fig. 237	REF. No. 1 ~ 25
Fig. 238	REF. No. 1 ~ 29
Fig. 239	REF. No. 1 ~ 44
Fig. 240	REF. No. 1 ~ 23
Fig. 241	REF. No. 1 ~ 10
Fig. 242	REF. No. 1 ~ 10
Fig. 243	REF. No. 1 ~ 24
Fig. 244	REF. No. 1 ~ 22
Fig. 245	REF. No. (1) ~ 25
Fig. 246	REF. No. (1) ~ 16
Fig. 247	REF. No. (1) ~ 32
Fig. 248	REF. No. 1 ~ 30
Fig. 249	REF. No. 1 ~ 5
Fig. 250	REF. No. 1 ~ 30
Fig. 251	REF. No. 1 ~ 14



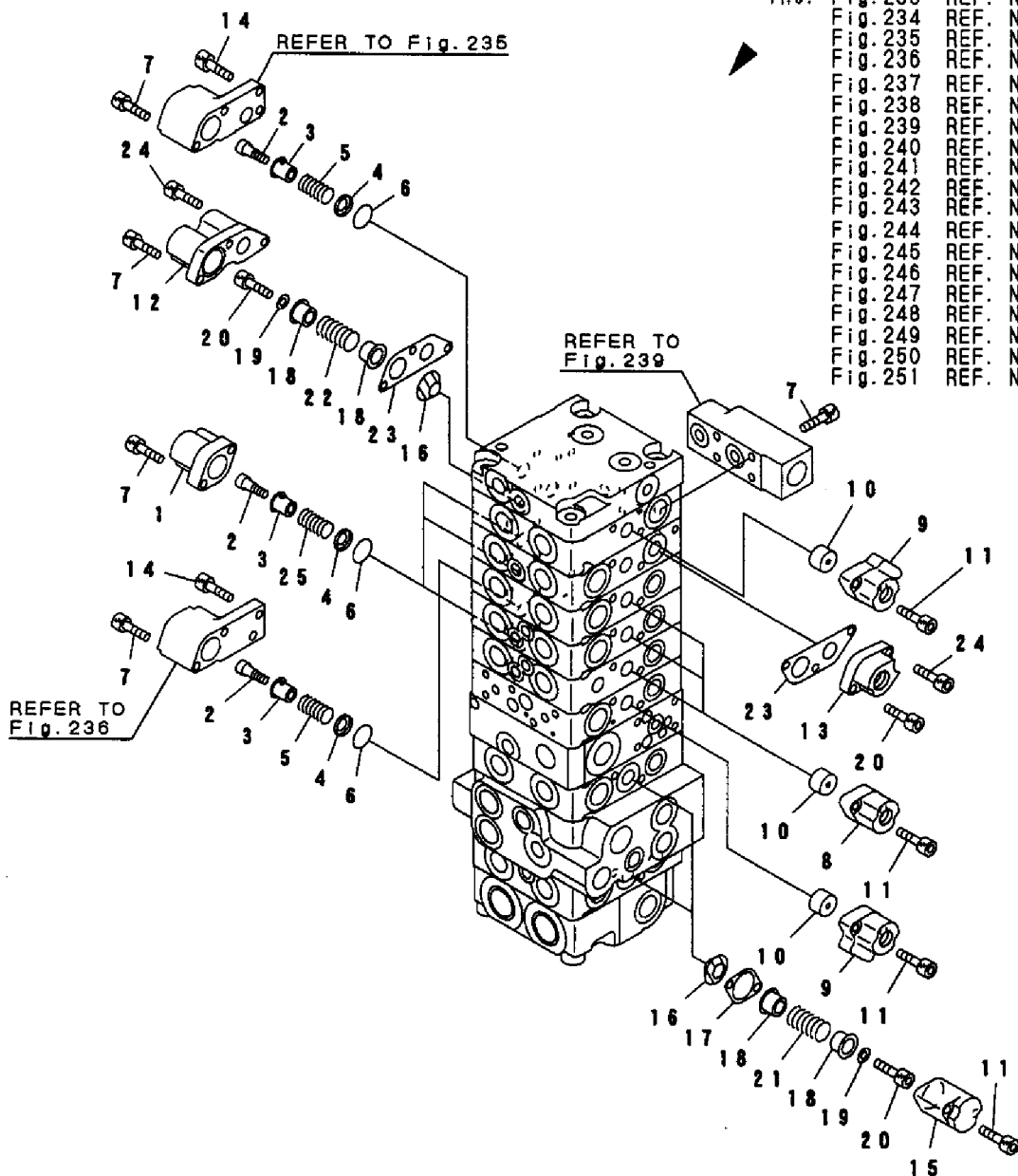
1,2,,182901-24590,,CASE,3,,,,,,,,,,,,,
2,2,,182901-24580,,BOLT,6,,,,,,,,,,,,,
3,2,,182901-24570,,RETAINER,6,,,,,,,,,,,,,
4,2,,182901-24550,,RETAINER,6,,,,,,,,,,,,,
5,2,,182901-42000,,SPRING,5,,,,,,,,,,,,,
6,2,,182901-24420,,O-RING,14,,,,,,,,,,,,,
7,2,,182900-82710,,BOLT,20,,,,,,,,,,,,,
8,2,,182901-24610,,CASE,3,,,,,,,,,,,,,
9,2,,182901-41940,,CASE,2,,,,,,,,,,,,,
10,2,,182901-24620,,RETAINER,5,,,,,,,,,,,,,
11,2,,182900-64910,,BOLT,10,,,,,,,,,,,,,
12,2,,182901-41970,,CASE,1,,,,,,,,,,,,,
13,2,,182901-41930,,CASE,1,,,,,,,,,,,,,
14,2,,182901-19420,,BOLT,3,,,,,,,,,,,,,
15,2,,182901-24520,,CASE,2,,,,,,,,,,,,,
16,2,,953KM0-01764,, "SEAL, DUST", 6,,,,,,,,,,,,,
17,2,,182901-24500,,PLATE,4,,,,,,,,,,,,,
18,2,,182901-24530,,RETAINER,6,,,,,,,,,,,,,
19,2,,182901-24510,,WASHER,3,,,,,,,,,,,,,
20,2,,182900-64890,,BOLT,8,,,,,,,,,,,,,
21,2,,182901-41960,,SPRING,2,,,,,,,,,,,,,
22,2,,182901-24630,,SPRING,2,,,,,,,,,,,,,
23,2,,182901-41980,,PLATE,2,,,,,,,,,,,,,
24,2,,182900-64900,,BOLT,3,,,,,,,,,,,,,
25,2,,182901-41990,,SPRING,1,,,,,,,,,,,,,

Fig. 237 コントロールバルブ (5) (2アクチュエータ) CONTROL VALVE (5) (2 ACTUATOR)

コントロールバルブ (2アクチュエータ)
CONTROL VALVE (2 ACTUATOR)
(182901-41640)

Fig. 233 REF. No. 1

inc. Fig. 233	REF. No. (1) ~ 11
Fig. 234	REF. No. 1 ~ 12
Fig. 235	REF. No. 1 ~ 5
Fig. 236	REF. No. 1 ~ 5
Fig. 237	REF. No. 1 ~ 25
Fig. 238	REF. No. 1 ~ 29
Fig. 239	REF. No. 1 ~ 44
Fig. 240	REF. No. 1 ~ 23
Fig. 241	REF. No. 1 ~ 10
Fig. 242	REF. No. 1 ~ 10
Fig. 243	REF. No. 1 ~ 24
Fig. 244	REF. No. 1 ~ 22
Fig. 245	REF. No. (1) ~ 25
Fig. 246	REF. No. (1) ~ 16
Fig. 247	REF. No. (1) ~ 32
Fig. 248	REF. No. 1 ~ 30
Fig. 249	REF. No. 1 ~ 5
Fig. 250	REF. No. 1 ~ 30
Fig. 251	REF. No. 1 ~ 14



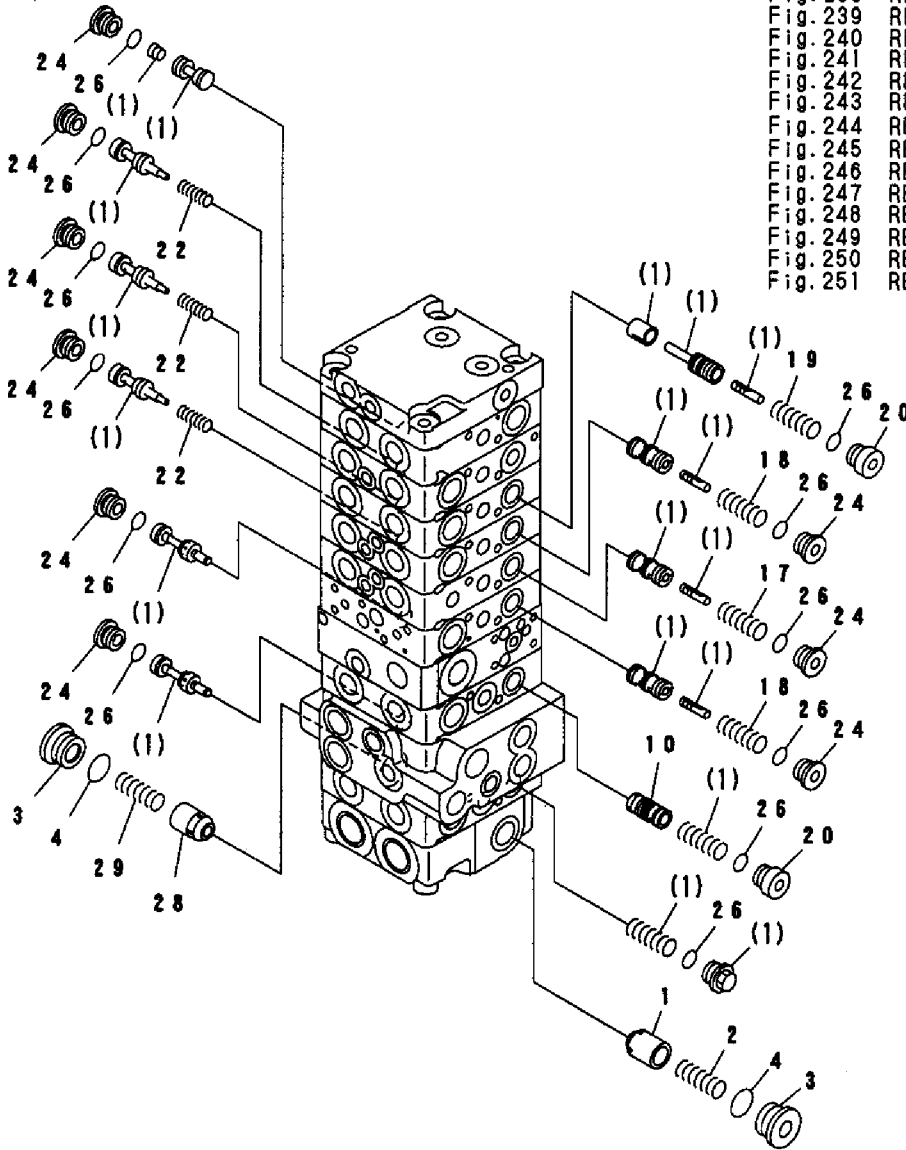
1,2,,182901-42010,,VALVE,1,,,,,,,,,,,,,
2,2,,182901-42020,,SPRING,1,,,,,,,,,,,,,
3,2,,182900-94540,,PLUG,2,,,,,,,,,,,,,
4,2,,953KM0-00390,,O-RING,2,,,,,,,,,,,,,
10,2,,182901-41740,, "VALVE SUB ASS'Y",2,,,,,,,,,,,,,
17,2,,182901-41920,,SPRING,1,,,,,,,,,,,,,
18,2,,182901-24490,,SPRING,2,,,,,,,,,,,,,
19,2,,182901-41910,,SPRING,1,,,,,,,,,,,,,
20,2,,182901-41900,,PLUG,2,,,,,,,,,,,,,
22,2,,182901-24480,,SPRING,3,,,,,,,,,,,,,
24,2,,182901-24470,,PLUG,9,,,,,,,,,,,,,
26,2,,182900-44590,,O-RING,12,,,,,,,,,,,,,
28,2,,182901-24820,,VALVE,1,,,,,,,,,,,,,
29,2,,182901-24830,,SPRING,1,,,,,,,,,,,,,

Fig. 238 コントロールバルブ (6) (2アクチュエータ) CONTROL VALVE (6) (2 ACTUATOR)

コントロールバルブ (2アクチュエータ)
CONTROL VALVE (2 ACTUATOR)
(182901-41640)

Fig. 233 REF. No. 1

inc.	Fig.	REF. No.	(1) ~
	Fig. 233	REF. No. 1	~ 11
	Fig. 234	REF. No. 1	~ 12
	Fig. 235	REF. No. 1	~ 5
	Fig. 236	REF. No. 1	~ 5
	Fig. 237	REF. No. 1	~ 25
	Fig. 238	REF. No. 1	~ 29
	Fig. 239	REF. No. 1	~ 44
	Fig. 240	REF. No. 1	~ 23
	Fig. 241	REF. No. 1	~ 10
	Fig. 242	REF. No. 1	~ 10
	Fig. 243	REF. No. 1	~ 24
	Fig. 244	REF. No. 1	~ 22
	Fig. 245	REF. No. (1)	~ 25
	Fig. 246	REF. No. (1)	~ 16
	Fig. 247	REF. No. (1)	~ 32
	Fig. 248	REF. No. 1	~ 30
	Fig. 249	REF. No. 1	~ 5
	Fig. 250	REF. No. 1	~ 30
	Fig. 251	REF. No. 1	~ 14



1,2,,182901-42030,,VALVE,1,,,,,,,,,,,,,
2,2,,182901-42040,,SPRING,1,,,,,,,,,,,,,
3,2,,182900-65700,,PLUG,1,,,,,,,,,,,,,
4,2,,182900-44580,,O-RING,1,,,,,,,,,,,,,
5,2,,182901-24680,,VALVE,5,,,,,,,,,,,,,
6,2,,182901-24690,,SPRING,5,,,,,,,,,,,,,
7,2,,182901-24700,,PLUG,7,,,,,,,,,,,,,
8,2,,182900-24660,,O-RING,7,,,,,,,,,,,,,
9,2,,182901-42190,,PLUG,1,,,,,,,,,,,,,
10,2,,24315-000090,, "O-RING 1B P- 9.0",1,,,,,,,,,,,,,
11,2,,24372-000090,,RING,1,,,,,,,,,,,,,
12,2,,182901-42050,,SEAT,1,,,,,,,,,,,,,
13,2,,182901-42210,,O-RING,1,,,,,,,,,,,,,
14,2,,182901-42060,,VALVE,1,,,,,,,,,,,,,
15,2,,182901-42080,,RETAINER,1,,,,,,,,,,,,,
16,2,,182901-42070,,SPRING,1,,,,,,,,,,,,,
17,2,,182901-24650,,PLUG,1,,,,,,,,,,,,,
18,2,,182900-83040,,RING,1,,,,,,,,,,,,,
19,2,,182901-41780,, "VALVE SUB ASS'Y",1,,,,,,,,,,,,,
24,3,,182901-42140,,PLUG,1,,,,,,,,,,,,,
25,3,,182901-42150,,O-RING,2,,,,,,,,,,,,,
26,3,,182901-42110,,RETAINER,1,,,,,,,,,,,,,
27,3,,182901-42070,,SPRING,1,,,,,,,,,,,,,
28,3,,182901-42120,,VALVE,1,,,,,,,,,,,,,
29,3,,182901-42130,,SEAT,1,,,,,,,,,,,,,
30,3,,182901-42210,,O-RING,2,,,,,,,,,,,,,
31,3,,182901-19560,,O-RING,3,,,,,,,,,,,,,
32,3,,24315-000090,, "O-RING 1B P- 9.0",1,,,,,,,,,,,,,
33,3,,182901-42680,,SCREW,2,,,,,,,,,,,,,
34,2,,182901-42160,,O-RING,1,,,,,,,,,,,,,
35,2,,182901-41630,,O-RING,2,,,,,,,,,,,,,
36,2,,182901-29260,,BOLT,6,,,,,,,,,,,,,
37,2,,182901-42170,,BLOCK,1,,,,,,,,,,,,,
38,2,,182900-83020,,O-RING,2,,,,,,,,,,,,,
39,2,,24315-000070,, "O-RING 1B P-7.0",1,,,,,,,,,,,,,
40,2,,24315-000090,, "O-RING 1B P- 9.0",1,,,,,,,,,,,,,
41,2,,24372-000090,,RING,1,,,,,,,,,,,,,
42,2,,182901-42180,,PLUG,2,,,,,,,,,,,,,
43,2,,953KM0-01773,,O-RING,2,,,,,,,,,,,,,
44,2,,953KM0-00389,,O-RING,2,,,,,,,,,,,,,

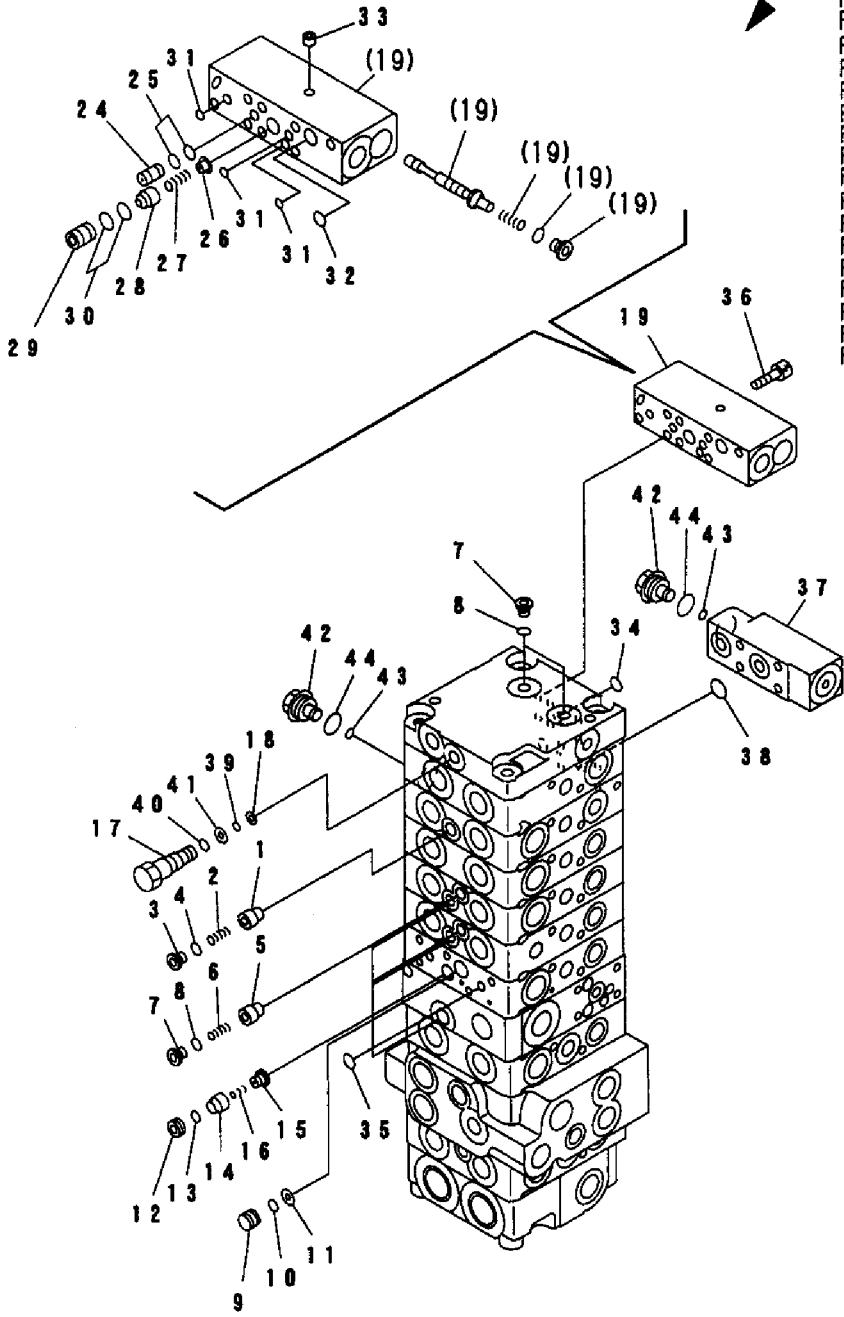
Fig. 239 コントロールバルブ (7) (2アクチュエータ) CONTROL VALVE (7) (2 ACTUATOR)

見出しNo. 19は、見出しNo. (19) から33を含みます。
19 inc. (19) ~ 33

コントロールバルブ (2アクチュエータ)
CONTROL VALVE (2 ACTUATOR)
(182901-41640)

Fig. 233 REF. No. 1
inc. Fig. 233 REF. No. (1) ~ 11

Fig. 234	REF. No. 1 ~ 12
Fig. 235	REF. No. 1 ~ 5
Fig. 236	REF. No. 1 ~ 5
Fig. 237	REF. No. 1 ~ 25
Fig. 238	REF. No. 1 ~ 29
Fig. 239	REF. No. 1 ~ 44
Fig. 240	REF. No. 1 ~ 23
Fig. 241	REF. No. 1 ~ 10
Fig. 242	REF. No. 1 ~ 10
Fig. 243	REF. No. 1 ~ 24
Fig. 244	REF. No. 1 ~ 22
Fig. 245	REF. No. (1) ~ 25
Fig. 246	REF. No. (1) ~ 16
Fig. 247	REF. No. (1) ~ 32
Fig. 248	REF. No. 1 ~ 30
Fig. 249	REF. No. 1 ~ 5
Fig. 250	REF. No. 1 ~ 30
Fig. 251	REF. No. 1 ~ 14



1,2,,182901-41750,, "VALVE SUB ASSY",1,,,,,,,,,,,,,,,,,,,,,
3,3,,182901-29250,, BOLT,2,,,,,,,,,,,,,,,,,,,,,,,,,,,,,
4,3,,182901-19560,, O-RING,1,,,,,,,,,,,,,,,,,,,,,,,,,,,,,
5,3,,182901-24740,, O-RING,1,,,,,,,,,,,,,,,,,,,,,,,,,,,,,
6,3,,182901-40770,, O-RING,1,,,,,,,,,,,,,,,,,,,,,,,,,,,,,
8,3,,182901-42200,, SPRING,1,,,,,,,,,,,,,,,,,,,,,,,,,,,,,
9,3,,182900-65700,, PLUG,1,,,,,,,,,,,,,,,,,,,,,,,,,,,,,
10,3,,182900-44580,, O-RING,1,,,,,,,,,,,,,,,,,,,,,,,,,,,,,
12,3,,182901-41760,, "VALVE SUB ASS'Y",1,,,,,,,,,,,,,,,,,,,,,
14,3,,182901-42100,, SPRING,1,,,,,,,,,,,,,,,,,,,,,,,,,,,,,
15,3,,182900-04450,, O-RING,1,,,,,,,,,,,,,,,,,,,,,,,,,,,,,
16,3,,182901-29620,, RING,1,,,,,,,,,,,,,,,,,,,,,,,,,,,,,
17,3,,24315-000120,, "O-RING 1B P-12.0",1,,,,,,,,,,,,,,,,,,,,,
18,3,,953KM0-01884,, RING,1,,,,,,,,,,,,,,,,,,,,,,,,,,,,,
20,3,,182901-42260,, ORIFICE,1,,,,,,,,,,,,,,,,,,,,,,,,,,,,,
21,2,,182901-42220,, O-RING,1,,,,,,,,,,,,,,,,,,,,,,,,,,,,,
22,2,,182901-19340,, BOLT,5,,,,,,,,,,,,,,,,,,,,,,,,,,,,,
23,2,,953KM0-00220,, WASHER,5,,,,,,,,,,,,,,,,,,,,,,,,,,,,,

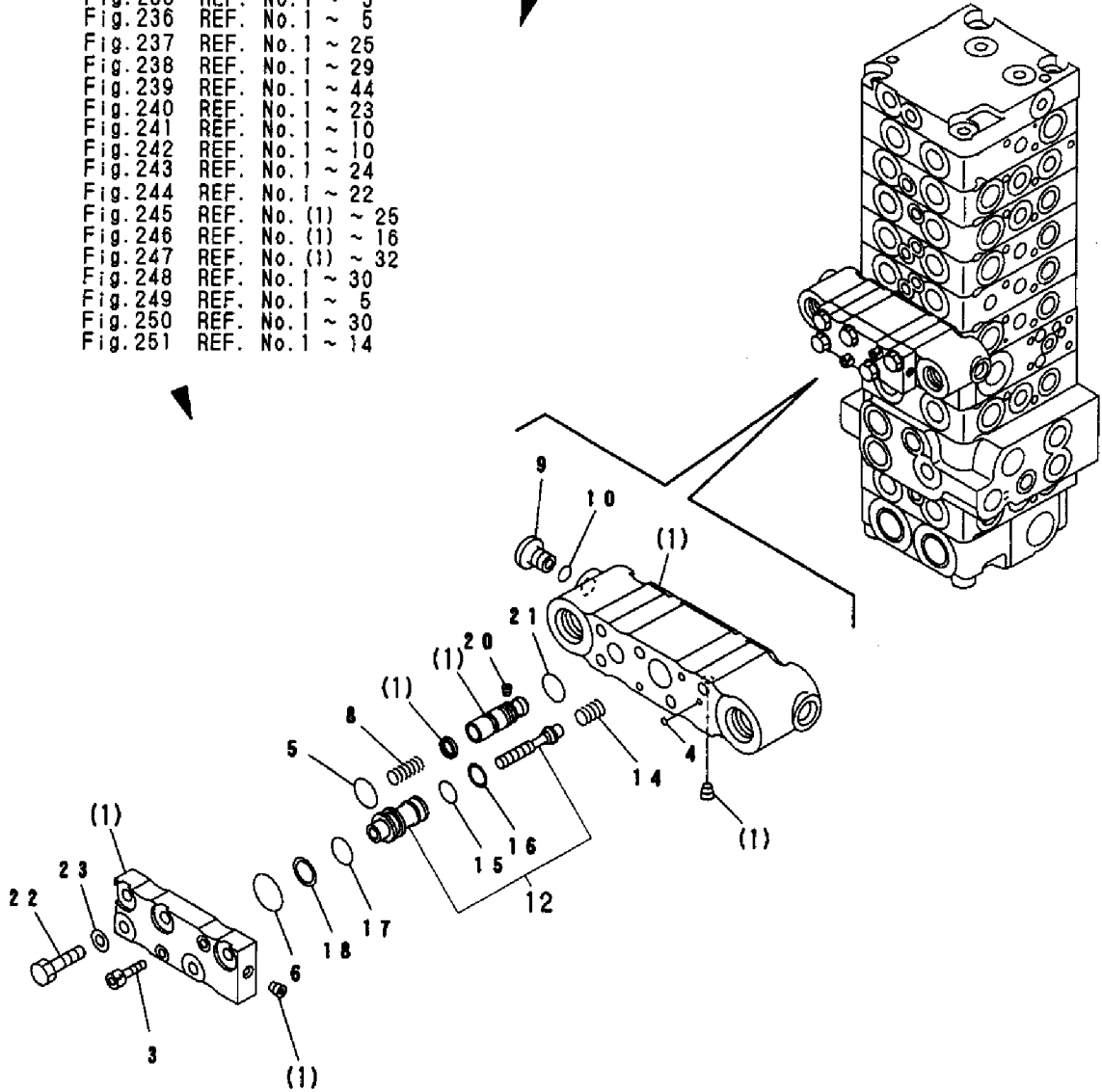
Fig. 240 コントロールバルブ (8) (2アクチュエータ) CONTROL VALVE (8) (2 ACTUATOR)

コントロールバルブ (2アクチュエータ)
CONTROL VALVE (2 ACTUATOR)
(182901-41640)

Fig. 233 REF. No. 1

inc. Fig. 233	REF. No. (1) ~ 11
Fig. 234	REF. No. 1 ~ 12
Fig. 235	REF. No. 1 ~ 5
Fig. 236	REF. No. 1 ~ 5
Fig. 237	REF. No. 1 ~ 25
Fig. 238	REF. No. 1 ~ 29
Fig. 239	REF. No. 1 ~ 44
Fig. 240	REF. No. 1 ~ 23
Fig. 241	REF. No. 1 ~ 10
Fig. 242	REF. No. 1 ~ 10
Fig. 243	REF. No. 1 ~ 24
Fig. 244	REF. No. 1 ~ 22
Fig. 245	REF. No. (1) ~ 25
Fig. 246	REF. No. (1) ~ 16
Fig. 247	REF. No. (1) ~ 32
Fig. 248	REF. No. 1 ~ 30
Fig. 249	REF. No. 1 ~ 5
Fig. 250	REF. No. 1 ~ 30
Fig. 251	REF. No. 1 ~ 14

見出しNo. 1は、見出しNo. (1) から20を含みます。
1 inc. (1) ~ 20



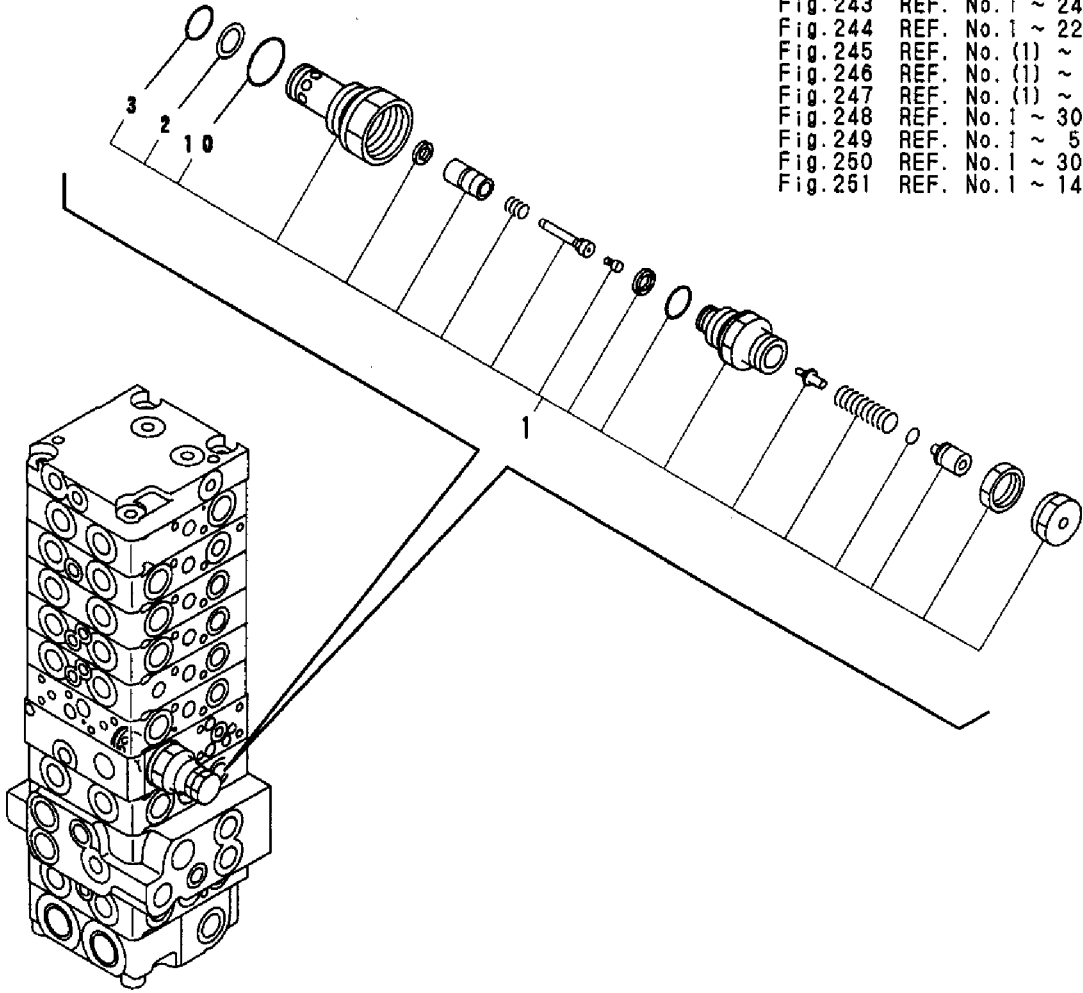
1,2,,182901-41660,, "RELIEF VALVE ASS'Y",1,,,,,,,,,,,,,
2,3,,182900-60660,, RING,1,,,,,,,,,,,,,
3,3,,953KM0-01653,, O-RING,1,,,,,,,,,,,,,
10,3,,182900-61270,, O-RING,1,,,,,,,,,,,,,

Fig. 241 コントロールバルブ (9) (2アクチュエータ) CONTROL VALVE (9) (2 ACTUATOR)

コントロールバルブ (2アクチュエータ)
CONTROL VALVE (2 ACTUATOR)
(182901-41640)

Fig. 233 REF. No. 1
inc.

Fig. 233	REF. No. (1) ~ 11
Fig. 234	REF. No. 1 ~ 12
Fig. 235	REF. No. 1 ~ 5
Fig. 236	REF. No. 1 ~ 5
Fig. 237	REF. No. 1 ~ 25
Fig. 238	REF. No. 1 ~ 29
Fig. 239	REF. No. 1 ~ 44
Fig. 240	REF. No. 1 ~ 23
Fig. 241	REF. No. 1 ~ 10
Fig. 242	REF. No. 1 ~ 10
Fig. 243	REF. No. 1 ~ 24
Fig. 244	REF. No. 1 ~ 22
Fig. 245	REF. No. (1) ~ 25
Fig. 246	REF. No. (1) ~ 16
Fig. 247	REF. No. (1) ~ 32
Fig. 248	REF. No. 1 ~ 30
Fig. 249	REF. No. 1 ~ 5
Fig. 250	REF. No. 1 ~ 30
Fig. 251	REF. No. 1 ~ 14



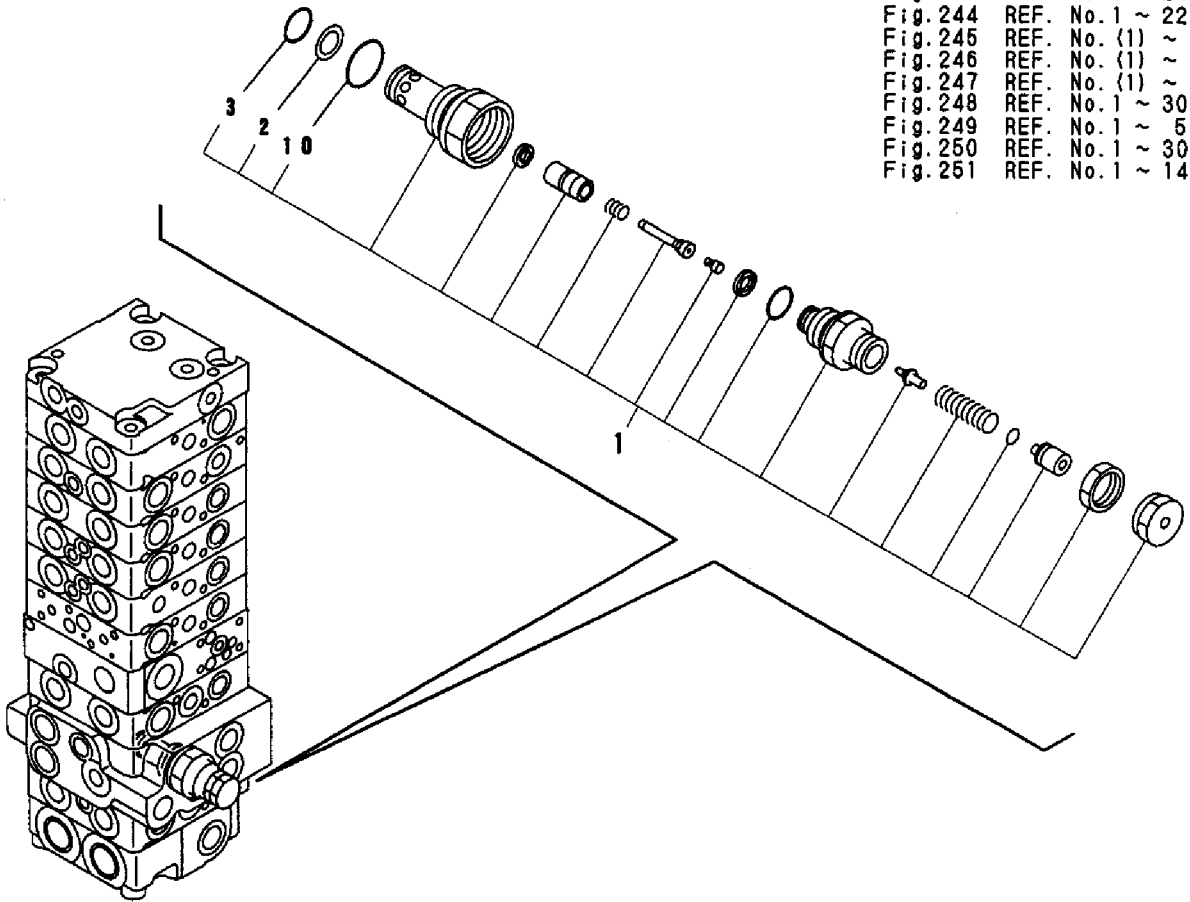
1,2,,182901-41690,, "RELIEF VALVE ASS'Y",1,,,,,,,,,,,,,
2,3,,182900-60660,, RING,1,,,,,,,,,,,,,
3,3,,953KM0-01653,, O-RING,1,,,,,,,,,,,,,
10,3,,953KM0-00390,, O-RING,1,,,,,,,,,,,,,

Fig. 242 コントロールバルブ (10) (2アクチュエータ) CONTROL VALVE (10) (2 ACTUATOR)

コントロールバルブ (2アクチュエータ)
CONTROL VALVE (2 ACTUATOR)
(182901-41640)

Fig. 233 REF. No. 1

inc.	Fig. 233	REF. No. (1) ~ 11
	Fig. 234	REF. No. 1 ~ 12
	Fig. 235	REF. No. 1 ~ 5
	Fig. 236	REF. No. 1 ~ 5
	Fig. 237	REF. No. 1 ~ 25
	Fig. 238	REF. No. 1 ~ 29
	Fig. 239	REF. No. 1 ~ 44
	Fig. 240	REF. No. 1 ~ 23
	Fig. 241	REF. No. 1 ~ 10
	Fig. 242	REF. No. 1 ~ 10
	Fig. 243	REF. No. 1 ~ 24
	Fig. 244	REF. No. 1 ~ 22
	Fig. 245	REF. No. (1) ~ 25
	Fig. 246	REF. No. (1) ~ 16
	Fig. 247	REF. No. (1) ~ 32
	Fig. 248	REF. No. 1 ~ 30
	Fig. 249	REF. No. 1 ~ 5
	Fig. 250	REF. No. 1 ~ 30
	Fig. 251	REF. No. 1 ~ 14



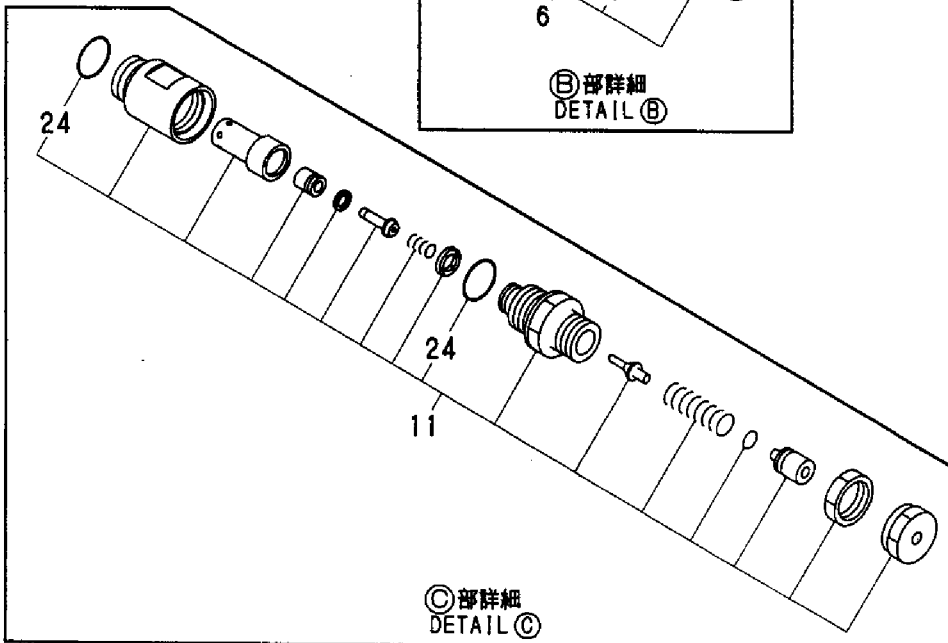
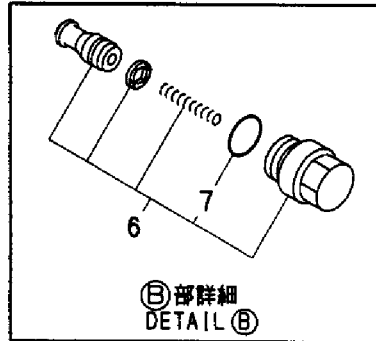
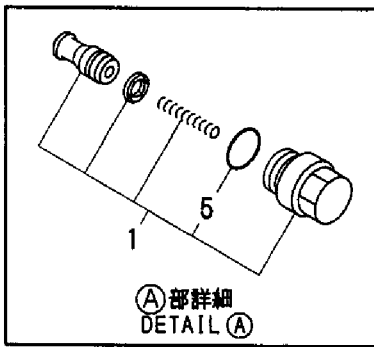
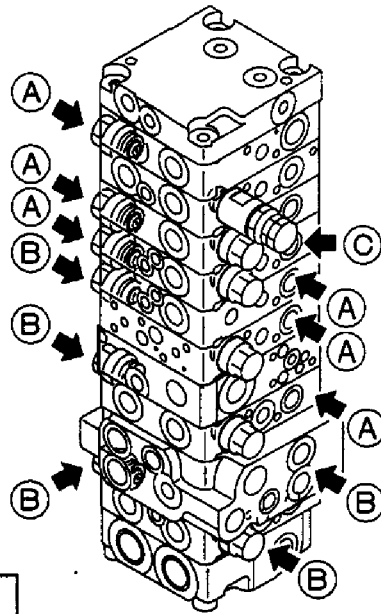
1,2,,182900-94340,, "VALVE ASS'Y",6,,,,,,,,,,,,,,,,,,,,,
5,3,,953KM0-00389,, O-RING,6,,,,,,,,,,,,,,,,,,,,,
6,2,,182901-41710,, "VALVE ASS'Y",5,,,,,,,,,,,,,,,,,,,,,
7,3,,953KM0-00389,, O-RING,5,,,,,,,,,,,,,,,,,,,,,
11,2,,182901-41680,, "VALVE ASS'Y",1,,,,,,,,,,,,,,,,,,,,,
24,3,,953KM0-00384,, O-RING,2,,,,,,,,,,,,,,,,,,,,,

Fig. 243 コントロールバルブ (11) (2アクチュエータ) CONTROL VALVE (11) (2 ACTUATOR)

コントロールバルブ (2アクチュエータ)
CONTROL VALVE (2 ACTUATOR)
(182901-41640)

Fig. 233 REF. No. 1
inc.

Fig. 233	REF. No. (1) ~ 11
Fig. 234	REF. No. 1 ~ 12
Fig. 235	REF. No. 1 ~ 5
Fig. 236	REF. No. 1 ~ 5
Fig. 237	REF. No. 1 ~ 25
Fig. 238	REF. No. 1 ~ 29
Fig. 239	REF. No. 1 ~ 44
Fig. 240	REF. No. 1 ~ 23
Fig. 241	REF. No. 1 ~ 10
Fig. 242	REF. No. 1 ~ 10
Fig. 243	REF. No. 1 ~ 24
Fig. 244	REF. No. 1 ~ 22
Fig. 245	REF. No. (1) ~ 25
Fig. 246	REF. No. (1) ~ 16
Fig. 247	REF. No. (1) ~ 32
Fig. 248	REF. No. 1 ~ 30
Fig. 249	REF. No. 1 ~ 5
Fig. 250	REF. No. 1 ~ 30
Fig. 251	REF. No. 1 ~ 14

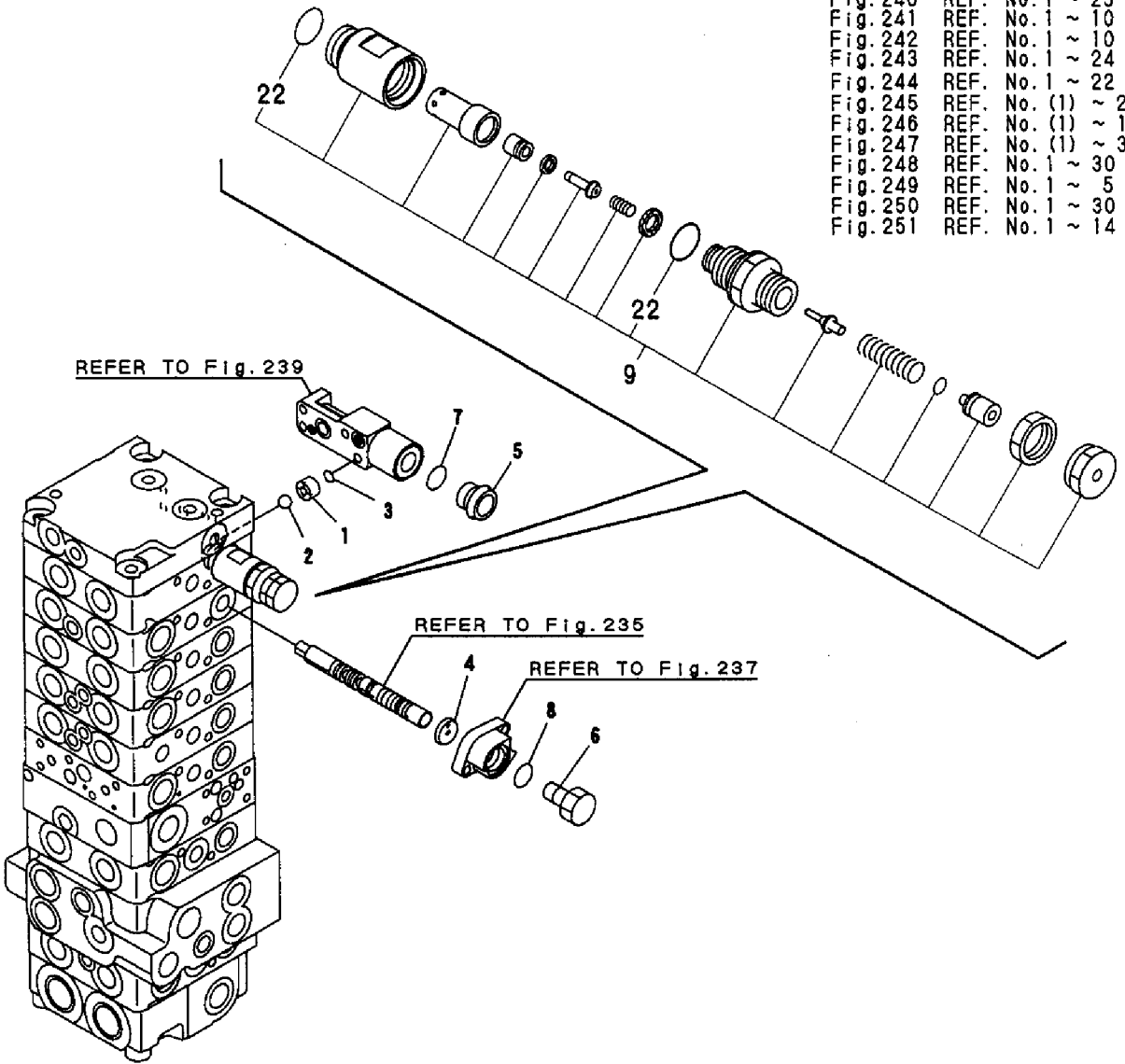


1,2,,182901-42700,,SEAT,1,,,,,,,,,,,,,
2,2,,953KM0-12462,,BALL,1,,,,,,,,,,,,,
3,2,,24315-000090,, "O-RING 1B P- 9.0",1,,,,,,,,,,,,,
4,2,,182901-24640,,RETAINER,1,,,,,,,,,,,,,
5,2,,953KM0-02494,,PLUG,1,,,,,,,,,,,,,
6,2,,182900-24670,,PLUG,1,,,,,,,,,,,,,
7,2,,953KM0-00051,,O-RING,1,,,,,,,,,,,,,
8,2,,953KM0-00388,,O-RING,1,,,,,,,,,,,,,
9,2,,182901-41670,, "VALVE ASS'Y",1,,,,,,,,,,,,,
22,3,,953KM0-00384,,O-RING,2,,,,,,,,,,,,,
22-1,3,,953KM0-00389,,O-RING,2,,,,,,S,,*,M/#10501,,,,,,,,,,,,,I

Fig. 244 コントロールバルブ (12) (2アクチュエータ) CONTROL VALVE (12) (2 ACTUATOR)

コントロールバルブ (2アクチュエータ)
CONTROL VALVE (2 ACTUATOR)
(182901-41640)
Fig. 233 REF. No. 1

inc.	Fig. 233	REF. No. (1) ~ 11
	Fig. 234	REF. No. 1 ~ 12
	Fig. 235	REF. No. 1 ~ 5
	Fig. 236	REF. No. 1 ~ 5
	Fig. 237	REF. No. 1 ~ 25
	Fig. 238	REF. No. 1 ~ 29
	Fig. 239	REF. No. 1 ~ 44
	Fig. 240	REF. No. 1 ~ 23
	Fig. 241	REF. No. 1 ~ 10
	Fig. 242	REF. No. 1 ~ 10
	Fig. 243	REF. No. 1 ~ 24
	Fig. 244	REF. No. 1 ~ 22
	Fig. 245	REF. No. (1) ~ 25
	Fig. 246	REF. No. (1) ~ 16
	Fig. 247	REF. No. (1) ~ 32
	Fig. 248	REF. No. 1 ~ 30
	Fig. 249	REF. No. 1 ~ 5
	Fig. 250	REF. No. 1 ~ 30
	Fig. 251	REF. No. 1 ~ 14



4,3,,182901-41860,,SPRING,1,,,,,,,,,,,,,
5,3,,182901-41850,,WASHER,1,,,,,,,,,,,,,
6,3,,182901-41840,,PLUG,4,,,,,,,,,,,,,
9,3,,182901-41870,,SPRING,2,,,,,,,,,,,,,
11,3,,182901-41890,,VALVE,2,,,,,,,,,,,,,
12,3,,182900-32170,,SPRING,2,,,,,,,,,,,,,
13,3,,182901-41880,,PLUG,2,,,,,,,,,,,,,
14,3,,182901-19580,,O-RING,1,,,,,,,,,,,,,
16,3,,953KM0-00051,,O-RING,6,,,,,,,,,,,,,
17,3,,24325-001000,, "O-RING 1B G-100.0",1,,,,,,,,,,,,,
19,3,,182901-24740,,O-RING,1,,,,,,,,,,,,,
22,3,,182901-19560,,O-RING,1,,,,,,,,,,,,,
24,3,,182901-24700,,PLUG,1,,,,,,,,,,,,,
25,3,,182900-24660,,O-RING,1,,,,,,,,,,,,,

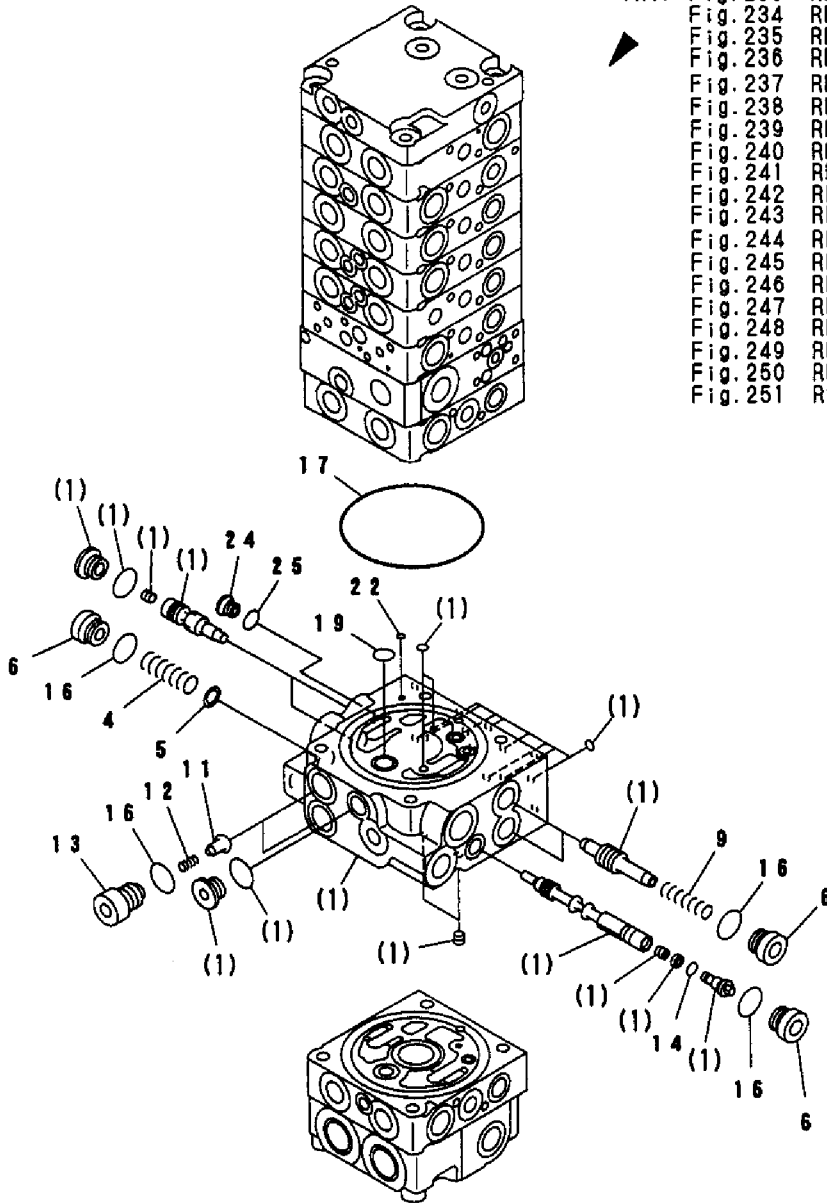
Fig. 245 コントロールバルブ (13) (2アクチュエータ) CONTROL VALVE (13) (2 ACTUATOR)

見出しNo. (1) は、見出しNo. (1) から25を含みます。
(1) inc. (1) ~ 25

コントロールバルブ (2アクチュエータ)
CONTROL VALVE (2 ACTUATOR)
(182901-41640)

Fig. 233 REF. No. (1) ~ 11
inc.

Fig. 233	REF. No. (1) ~ 11
Fig. 234	REF. No. 1 ~ 12
Fig. 235	REF. No. 1 ~ 5
Fig. 236	REF. No. 1 ~ 5
Fig. 237	REF. No. 1 ~ 25
Fig. 238	REF. No. 1 ~ 29
Fig. 239	REF. No. 1 ~ 44
Fig. 240	REF. No. 1 ~ 23
Fig. 241	REF. No. 1 ~ 10
Fig. 242	REF. No. 1 ~ 10
Fig. 243	REF. No. 1 ~ 24
Fig. 244	REF. No. 1 ~ 22
Fig. 245	REF. No. (1) ~ 25
Fig. 246	REF. No. (1) ~ 16
Fig. 247	REF. No. (1) ~ 32
Fig. 248	REF. No. 1 ~ 30
Fig. 249	REF. No. 1 ~ 5
Fig. 250	REF. No. 1 ~ 30
Fig. 251	REF. No. 1 ~ 14



2,3,,182901-24700,,PLUG,3,,,,,,,,,,,,,
3,3,,182900-24660,,O-RING,7,,,,,,,,,,,,,
6,3,,182900-44580,,O-RING,2,,,,,,,,,,,,,
7,3,,182901-19560,,O-RING,4,,,,,,,,,,,,,
8,3,,182901-29610,,RING,6,,,,,,,,,,,,,
16,2,,182901-29060,,BOLT,5,,,,,,,,,,,,,

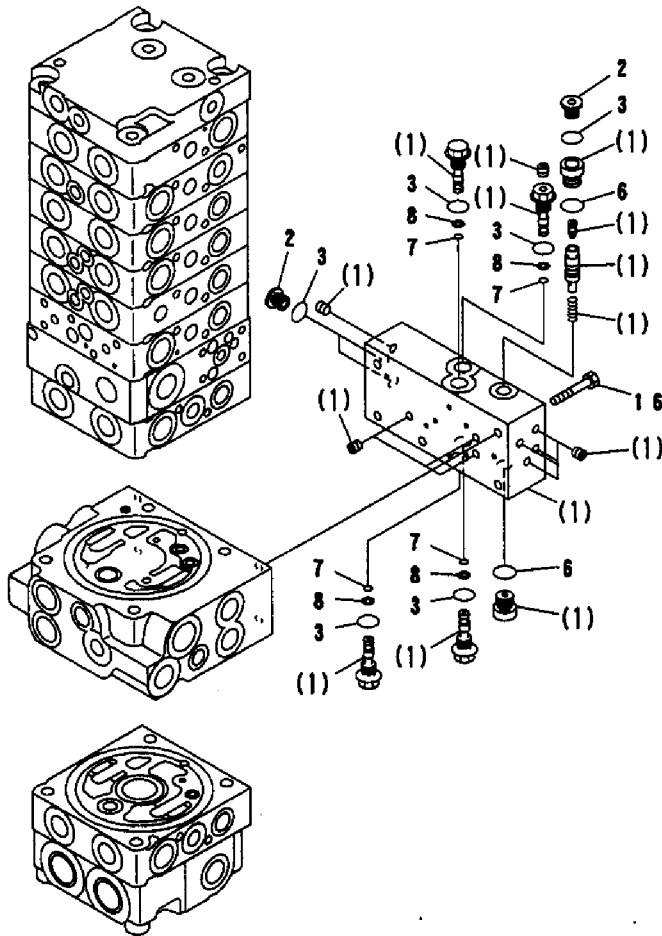
Fig. 246 コントロールバルブ (14) (2アクチュエータ) CONTROL VALVE (14) (2 ACTUATOR)

見出しNo. (1) は、見出しNo. (1) から8を含みます。
(1) inc. (1) ~ 8

コントロールバルブ (2アクチュエータ)
CONTROL VALVE (2 ACTUATOR)
(182901-41640)

Fig. 233 REF. No. 1
inc. Fig. 233 REF. No. (1) ~ 11

Fig. 234	REF. No. 1 ~ 12
Fig. 235	REF. No. 1 ~ 5
Fig. 236	REF. No. 1 ~ 5
Fig. 237	REF. No. 1 ~ 25
Fig. 238	REF. No. 1 ~ 29
Fig. 239	REF. No. 1 ~ 44
Fig. 240	REF. No. 1 ~ 23
Fig. 241	REF. No. 1 ~ 10
Fig. 242	REF. No. 1 ~ 10
Fig. 243	REF. No. 1 ~ 24
Fig. 244	REF. No. 1 ~ 22
Fig. 245	REF. No. (1) ~ 25
Fig. 246	REF. No. (1) ~ 16
Fig. 247	REF. No. (1) ~ 32
Fig. 248	REF. No. 1 ~ 30
Fig. 249	REF. No. 1 ~ 5
Fig. 250	REF. No. 1 ~ 30
Fig. 251	REF. No. 1 ~ 14



5,4,,182901-42690,,SPRING,1,,,,,,,,,,,,,
7,3,,182901-41820,,SPRING,1,,,,,,,,,,,,,
8,3,,182901-24700,,PLUG,2,,,,,,,,,,,,,
10,3,,182900-24660,,O-RING,2,,,,,,,,,,,,,
14,3,,24315-000070,, "O-RING 1B P-7.0",3,,,,,,,,,,,,,
15,3,,24315-000120,, "O-RING 1B P-12.0",1,,,,,,,,,,,,,
16,3,,953KM0-01884,,RING,1,,,,,,,,,,,,,
17,3,,182900-82710,,BOLT,4,,,,,,,,,,,,,
18,3,,182901-29580,,O-RING,2,,,,,,,,,,,,,
19,3,,182901-41830,,PLUG,1,,,,,,,,,,,,,
22,4,,182901-41800,,PLUG,2,,,,,,,,,,,,,
25,4,,182901-41810,,PLUG,1,,,,,,,,,,,,,
26,4,,182901-19580,,O-RING,2,,,,,,,,,,,,,
27,4,,182901-19560,,O-RING,1,,,,,,,,,,,,,
28,4,,182901-29610,,RING,1,,,,,,,,,,,,,
31,3,,24325-001000,, "O-RING 1B G-100.0",1,,,,,,,,,,,,,
32,3,,182901-24740,,O-RING,1,,,,,,,,,,,,,

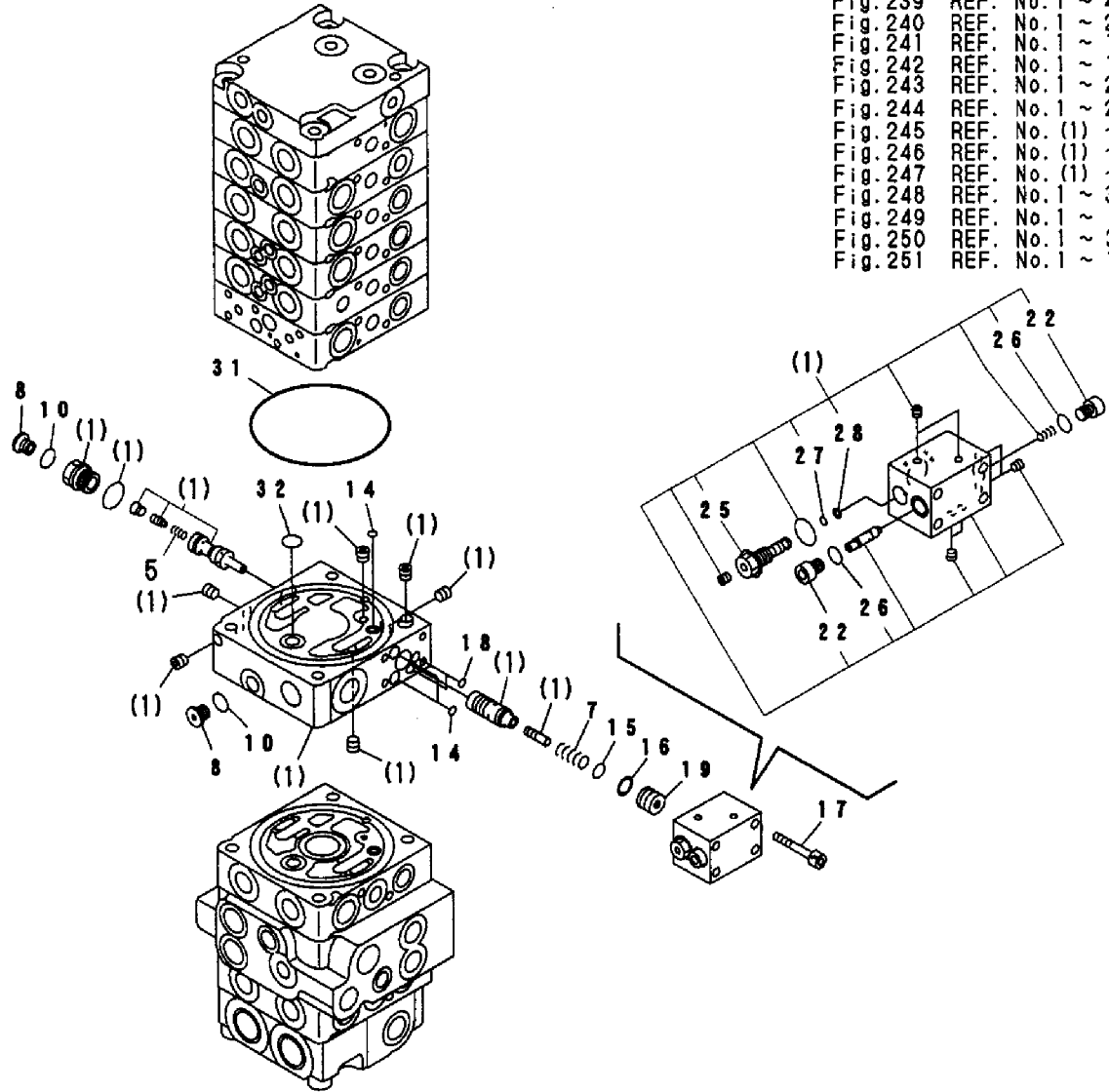
Fig. 247 コントロールバルブ (15) (2アクチュエータ) CONTROL VALVE (15) (2 ACTUATOR)

見出しNo. (1) は、見出しNo. (1) から32を含みます。
(1) inc. (1) ~ 32

コントロールバルブ (2アクチュエータ)
CONTROL VALVE (2 ACTUATOR)
(182901-41640)

Fig. 233 REF. No. 1
inc. Fig. 233 REF. No. (1) ~ 11

Fig. 234	REF. No. 1 ~ 12
Fig. 235	REF. No. 1 ~ 5
Fig. 236	REF. No. 1 ~ 5
Fig. 237	REF. No. 1 ~ 25
Fig. 238	REF. No. 1 ~ 29
Fig. 239	REF. No. 1 ~ 44
Fig. 240	REF. No. 1 ~ 23
Fig. 241	REF. No. 1 ~ 10
Fig. 242	REF. No. 1 ~ 10
Fig. 243	REF. No. 1 ~ 24
Fig. 244	REF. No. 1 ~ 22
Fig. 245	REF. No. (1) ~ 25
Fig. 246	REF. No. (1) ~ 16
Fig. 247	REF. No. (1) ~ 32
Fig. 248	REF. No. 1 ~ 30
Fig. 249	REF. No. 1 ~ 5
Fig. 250	REF. No. 1 ~ 30
Fig. 251	REF. No. 1 ~ 14

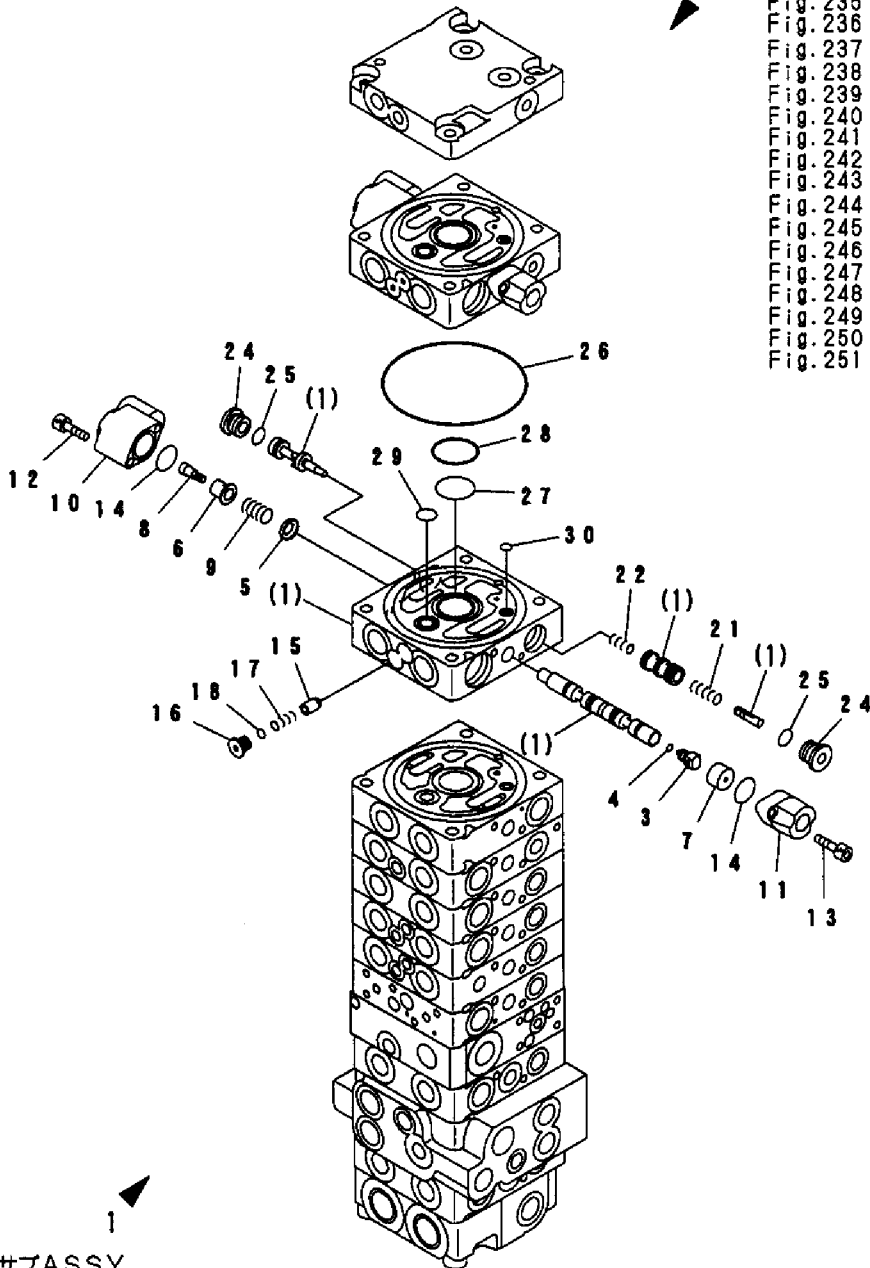


1,2,,182901-41730,, "VALVE SUB ASS'Y",1,,,,,,,,1,,,,,,,,,
3,3,,182901-41950,, PLUG,1,,,,,,,,,
4,3,,182901-19580,, O-RING,1,,,,,,,,,
5,3,,182901-24550,, RETAINER,1,,,,,,,,,
6,3,,182901-24570,, RETAINER,1,,,,,,,,,
7,3,,182901-24620,, RETAINER,1,,,,,,,,,
8,3,,182901-24580,, BOLT,1,,,,,,,,,
9,3,,182901-24560,, SPRING,1,,,,,,,,,
10,3,,182901-42230,, CASE,1,,,,,,,,,
11,3,,182901-24610,, CASE,1,,,,,,,,,
12,3,,182900-82710,, BOLT,2,,,,,,,,,
13,3,,182900-64910,, BOLT,2,,,,,,,,,
14,3,,182901-24420,, O-RING,2,,,,,,,,,
15,3,,182901-24680,, VALVE,2,,,,,,,,,
16,3,,182901-24700,, PLUG,2,,,,,,,,,
17,3,,182901-24690,, SPRING,2,,,,,,,,,
18,3,,182900-24660,, O-RING,2,,,,,,,,,
21,3,,182901-24490,, SPRING,1,,,,,,,,,
22,3,,182901-24480,, SPRING,1,,,,,,,,,
24,3,,182901-24470,, PLUG,2,,,,,,,,,
25,3,,182900-44590,, O-RING,2,,,,,,,,,
26,3,,24325-001000,, "O-RING 1B G-100.0",1,,,,,,,,,
27,3,,182901-24720,, O-RING,1,,,,,,,,,
28,3,,182901-24750,, RING,1,,,,,,,,,
29,3,,182901-24740,, O-RING,1,,,,,,,,,
30,3,,24315-000070,, "O-RING 1B P-7.0",1,,,,,,,,,

Fig. 248 コントロールバルブ (16) (2アクチュエータ) CONTROL VALVE (16) (2 ACTUATOR)

コントロールバルブ (2アクチュエータ)
CONTROL VALVE (2 ACTUATOR)
(182901-41640)

Fig. 233 REF. No. 1
inc. Fig. 233 REF. No. (1) ~ 11
Fig. 234 REF. No. 1 ~ 12
Fig. 235 REF. No. 1 ~ 5
Fig. 236 REF. No. 1 ~ 5
Fig. 237 REF. No. 1 ~ 25
Fig. 238 REF. No. 1 ~ 29
Fig. 239 REF. No. 1 ~ 44
Fig. 240 REF. No. 1 ~ 23
Fig. 241 REF. No. 1 ~ 10
Fig. 242 REF. No. 1 ~ 10
Fig. 243 REF. No. 1 ~ 24
Fig. 244 REF. No. 1 ~ 22
Fig. 245 REF. No. (1) ~ 25
Fig. 246 REF. No. (1) ~ 16
Fig. 247 REF. No. (1) ~ 32
Fig. 248 REF. No. 1 ~ 30
Fig. 249 REF. No. 1 ~ 5
Fig. 250 REF. No. 1 ~ 30
Fig. 251 REF. No. 1 ~ 14



1
バルブサブASSY
VALVE SUB. ASSY
(182901-41730)
Fig. 248 REF. No. 1
inc. Fig. 248 REF. No. (1) ~ 30
Fig. 249 REF. No. 1 ~ 5

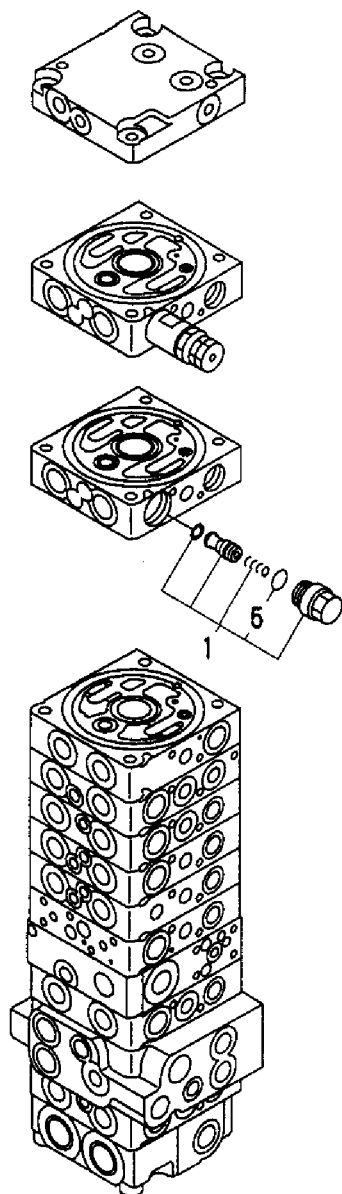
1,3,,182900-94340,, "VALVE ASS'Y",2,,,,,,,,,,,,,,,,,,,,,
5,4,,953KM0-00389,, O-RING,2,,,,,,,,,,,,,,,,,,,,,

Fig. 249 コントロールバルブ (17) (2アクチュエータ) CONTROL VALVE (17) (2 ACTUATOR)

コントロールバルブ (2アクチュエータ)
CONTROL VALVE (2 ACTUATOR)
(182901-41640)

Fig. 233 REF. No. 1

inc. Fig. 233	REF. No. (1) ~ 11
Fig. 234	REF. No. 1 ~ 12
Fig. 235	REF. No. 1 ~ 5
Fig. 236	REF. No. 1 ~ 5
Fig. 237	REF. No. 1 ~ 25
Fig. 238	REF. No. 1 ~ 29
Fig. 239	REF. No. 1 ~ 44
Fig. 240	REF. No. 1 ~ 23
Fig. 241	REF. No. 1 ~ 10
Fig. 242	REF. No. 1 ~ 10
Fig. 243	REF. No. 1 ~ 24
Fig. 244	REF. No. 1 ~ 22
Fig. 245	REF. No. (1) ~ 25
Fig. 246	REF. No. (1) ~ 16
Fig. 247	REF. No. (1) ~ 32
Fig. 248	REF. No. 1 ~ 30
Fig. 249	REF. No. 1 ~ 5
Fig. 250	REF. No. 1 ~ 30
Fig. 251	REF. No. 1 ~ 14



バルブサブASSY
VALVE SUB. ASSY
(182901-41730)

Fig. 248 REF. No. 1

inc. Fig. 248 REF. No. (1) ~ 30

Fig. 249 REF. No. 1 ~ 5

1,2,,182901-41770,, "VALVE SUB ASS'Y",1,,,,,,,,,,,,,,,,,,,,,
3,3,,182901-41950,, PLUG,1,,,,,,,,,,,,,,,,,,,,,
4,3,,182901-19580,, O-RING,1,,,,,,,,,,,,,,,,,,,,,
5,3,,182901-24550,, RETAINER,1,,,,,,,,,,,,,,,,,,,,,
6,3,,182901-24570,, RETAINER,1,,,,,,,,,,,,,,,,,,,,,
7,3,,182901-24620,, RETAINER,1,,,,,,,,,,,,,,,,,,,,,
8,3,,182901-24580,, BOLT,1,,,,,,,,,,,,,,,,,,,,,
9,3,,182901-24560,, SPRING,1,,,,,,,,,,,,,,,,,,,,,
10,3,,182901-42230,, CASE,1,,,,,,,,,,,,,,,,,,,,,
11,3,,182901-24610,, CASE,1,,,,,,,,,,,,,,,,,,,,,
12,3,,182900-82710,, BOLT,2,,,,,,,,,,,,,,,,,,,,,
13,3,,182900-64910,, BOLT,2,,,,,,,,,,,,,,,,,,,,,
14,3,,182901-24420,, O-RING,2,,,,,,,,,,,,,,,,,,,,,
15,3,,182901-24680,, VALVE,2,,,,,,,,,,,,,,,,,,,,,
16,3,,182901-24700,, PLUG,2,,,,,,,,,,,,,,,,,,,,,
17,3,,182901-24690,, SPRING,2,,,,,,,,,,,,,,,,,,,,,
18,3,,182900-24660,, O-RING,2,,,,,,,,,,,,,,,,,,,,,
21,3,,182901-24490,, SPRING,1,,,,,,,,,,,,,,,,,,,,,
22,3,,182901-24480,, SPRING,1,,,,,,,,,,,,,,,,,,,,,
24,3,,182901-24470,, PLUG,2,,,,,,,,,,,,,,,,,,,,,
25,3,,182900-44590,, O-RING,2,,,,,,,,,,,,,,,,,,,,,
26,3,,24325-001000,, "O-RING 1B G-100.0",1,,,,,,,,,,,,,,,,,,,,,
27,3,,182901-24720,, O-RING,1,,,,,,,,,,,,,,,,,,,,,
28,3,,182901-24750,, RING,1,,,,,,,,,,,,,,,,,,,,,
29,3,,182901-24740,, O-RING,1,,,,,,,,,,,,,,,,,,,,,
30,3,,24315-000070,, "O-RING 1B P-7.0",1,,,,,,,,,,,,,,,,,,,,,

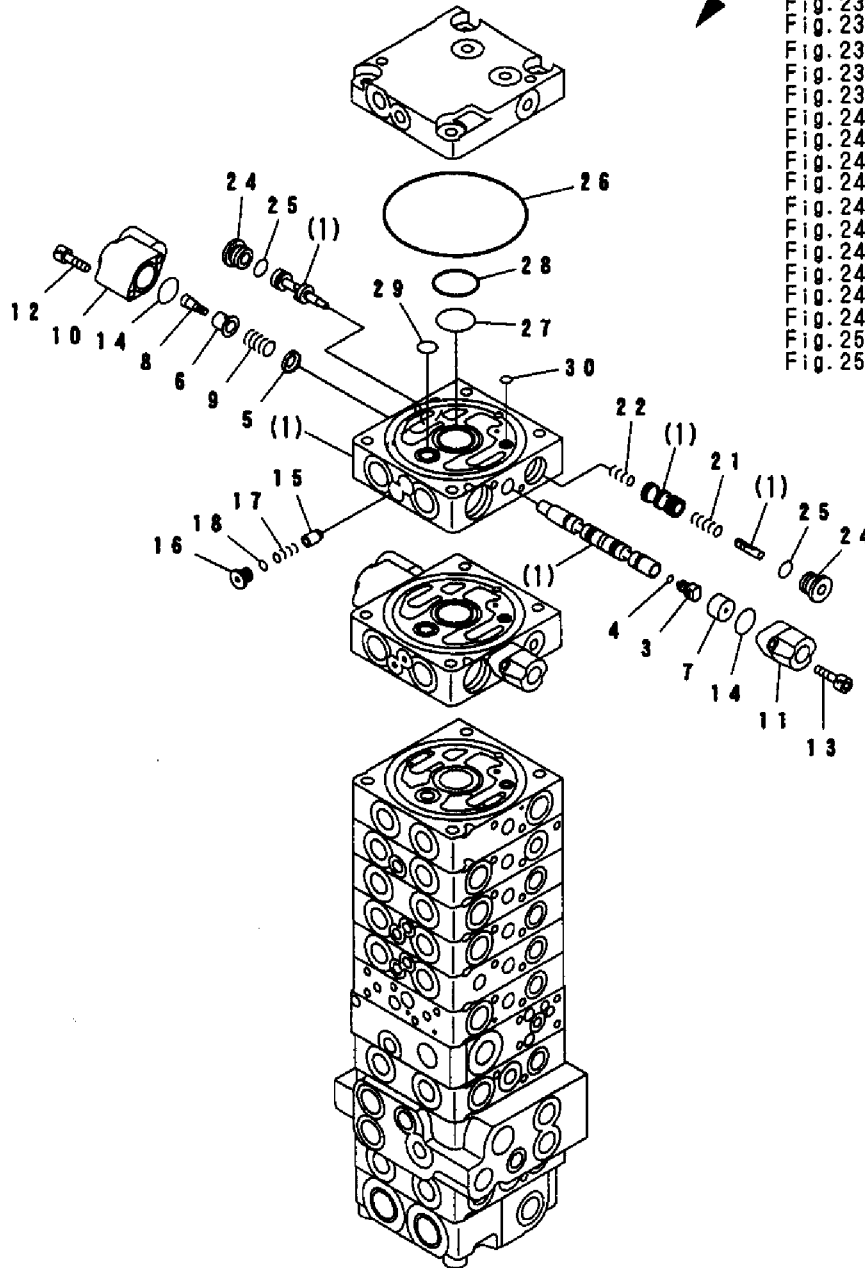
Fig. 250 コントロールバルブ (18) (2アクチュエータ) CONTROL VALVE (18) (2 ACTUATOR)

見出しNo. 1は、見出しNo. (1) から30を含みます。
1 inc. (1) ~ 30

コントロールバルブ (2アクチュエータ)
CONTROL VALVE (2 ACTUATOR)
(182901-41640)

Fig. 233 REF. No. 1
inc. Fig. 233 REF. No. (1) ~ 11

Fig. 234	REF. No. 1	~ 12
Fig. 235	REF. No. 1	~ 5
Fig. 236	REF. No. 1	~ 5
Fig. 237	REF. No. 1	~ 25
Fig. 238	REF. No. 1	~ 29
Fig. 239	REF. No. 1	~ 44
Fig. 240	REF. No. 1	~ 23
Fig. 241	REF. No. 1	~ 10
Fig. 242	REF. No. 1	~ 10
Fig. 243	REF. No. 1	~ 24
Fig. 244	REF. No. 1	~ 22
Fig. 245	REF. No. (1)	~ 25
Fig. 246	REF. No. (1)	~ 16
Fig. 247	REF. No. (1)	~ 32
Fig. 248	REF. No. 1	~ 30
Fig. 249	REF. No. 1	~ 5
Fig. 250	REF. No. 1	~ 30
Fig. 251	REF. No. 1	~ 14



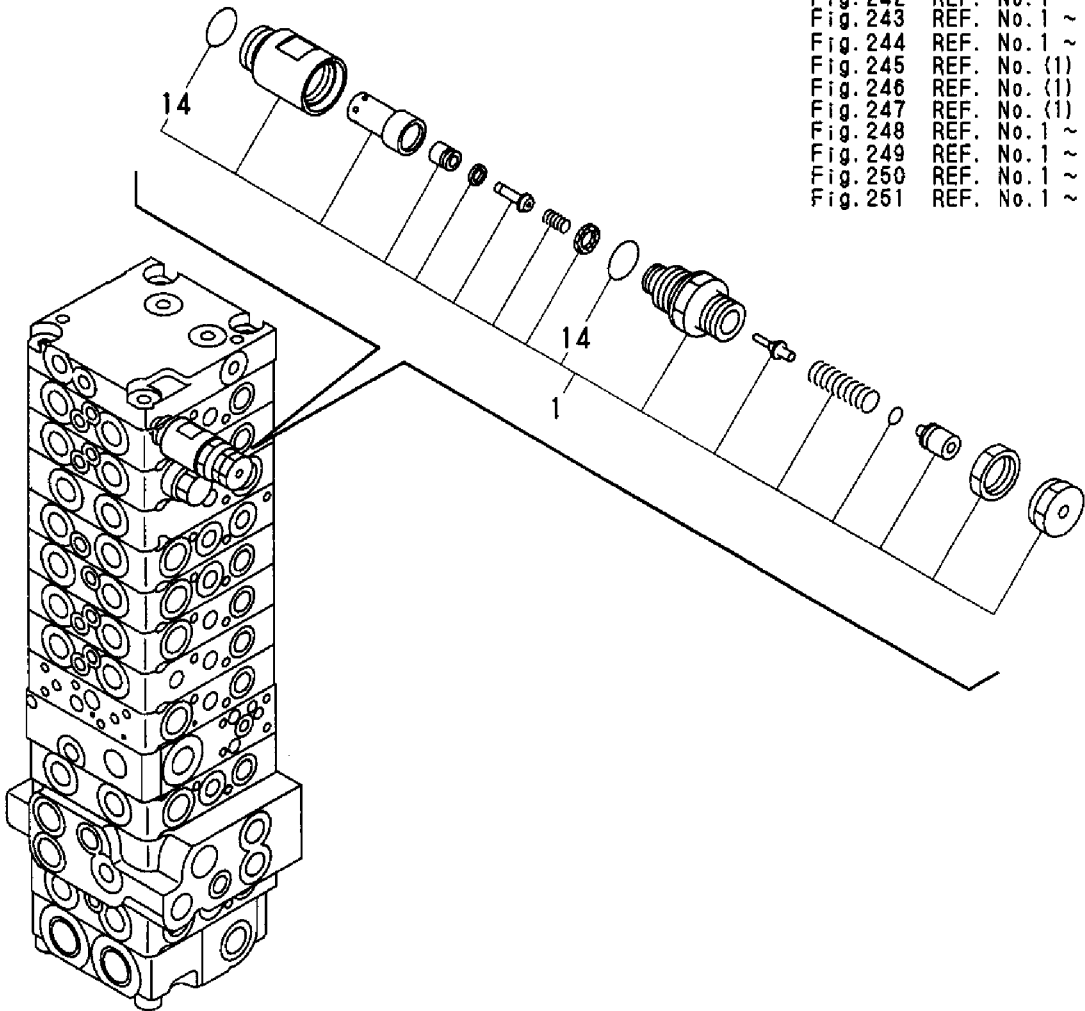
1,2,,182901-41700,, "VALVE ASS'Y",2,,,,,,,,,,,,,,,,,,,,,
14,3,,182901-42710,,O-RING,4,,,,,,,,,,,,,,,,,,,,,
14-1,3,,953KM0-00389,,O-RING,4,,,,,,,,,S,,*,M/#10501,,,,,,,,,,,,,I

Fig. 251 コントロールバルブ (19) (2アクチュエータ) CONTROL VALVE (19) (2 ACTUATOR)

コントロールバルブ (2アクチュエータ)
CONTROL VALVE (2 ACTUATOR)
(182901-41640)

Fig. 233 REF. No. 1

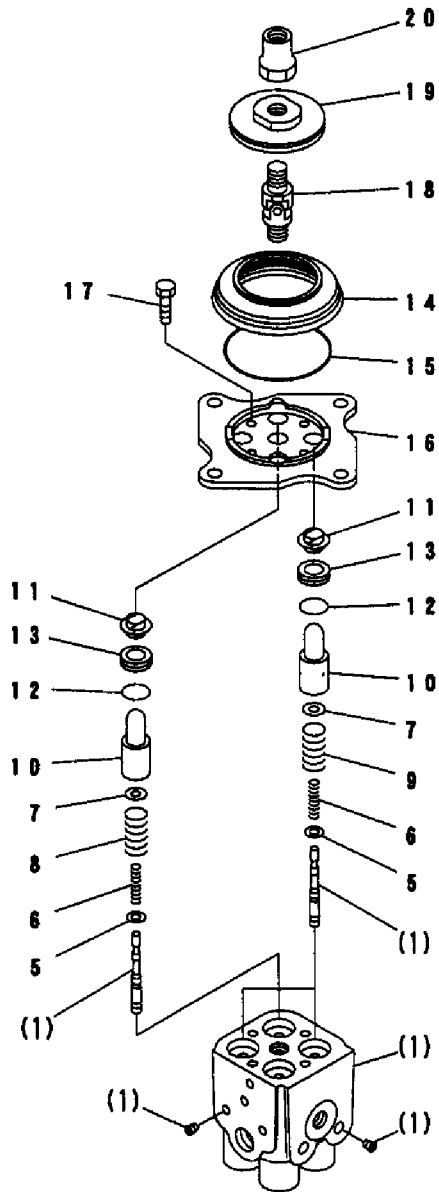
inc.	Fig. 233	REF. No. (1) ~ 11
	Fig. 234	REF. No. 1 ~ 12
	Fig. 235	REF. No. 1 ~ 5
	Fig. 236	REF. No. 1 ~ 5
	Fig. 237	REF. No. 1 ~ 25
	Fig. 238	REF. No. 1 ~ 29
	Fig. 239	REF. No. 1 ~ 44
	Fig. 240	REF. No. 1 ~ 23
	Fig. 241	REF. No. 1 ~ 10
	Fig. 242	REF. No. 1 ~ 10
	Fig. 243	REF. No. 1 ~ 24
	Fig. 244	REF. No. 1 ~ 22
	Fig. 245	REF. No. (1) ~ 25
	Fig. 246	REF. No. (1) ~ 16
	Fig. 247	REF. No. (1) ~ 32
	Fig. 248	REF. No. 1 ~ 30
	Fig. 249	REF. No. 1 ~ 5
	Fig. 250	REF. No. 1 ~ 30
	Fig. 251	REF. No. 1 ~ 14



1,1,,182901-40740,, "PILOT VALVE",1,,,,,,,,,,,,,
5,2,,953KM0-03742,, "SHIM 0.3MM",4,,,,,,,,,,,,,
6,2,,953KM0-03753,, SPRING,4,,,,,,,,,,,,,
7,2,,953KM0-03745,, RETAINER,4,,,,,,,,,,,,,
8,2,,182900-42530,, SPRING,2,,,,,,,,,,,,,
9,2,,953KM0-03754,, SPRING,2,,,,,,,,,,,,,
10,2,,953KM0-03747,, PISTON,4,,,,,,,,,,,,,
11,2,,953KM0-03744,, SEAL,4,,,,,,,,,,,,,
12,2,,24315-000200,, "O-RING 1B P-20.0",4,,,,,,,,,,,,,
13,2,,182900-42540,, COLLAR,4,,,,,,,,,,,,,
14,2,,953KM0-03748,, BOOT,1,,,,,,,,,,,,,
15,2,,24321-000700,, "O-RING 1A G70.0,NBR",1,,,,,,,,,,,,,
16,2,,953KM0-03749,, PLATE,1,,,,,,,,,,,,,
17,2,,182900-82420,, BOLT,4,,,,,,,,,,,,,
18,2,,953KM0-03743,, JOINT,1,,,,,,,,,,,,,
19,2,,182900-60680,, DISC,1,,,,,,,,,,,,,
20,2,,953KM0-03751,, NUT,1,,,,,,,,,,,,,

Fig. 252 パイロットバルブ (リモコン) PILOT VALVE (REMOTE CONTROL)

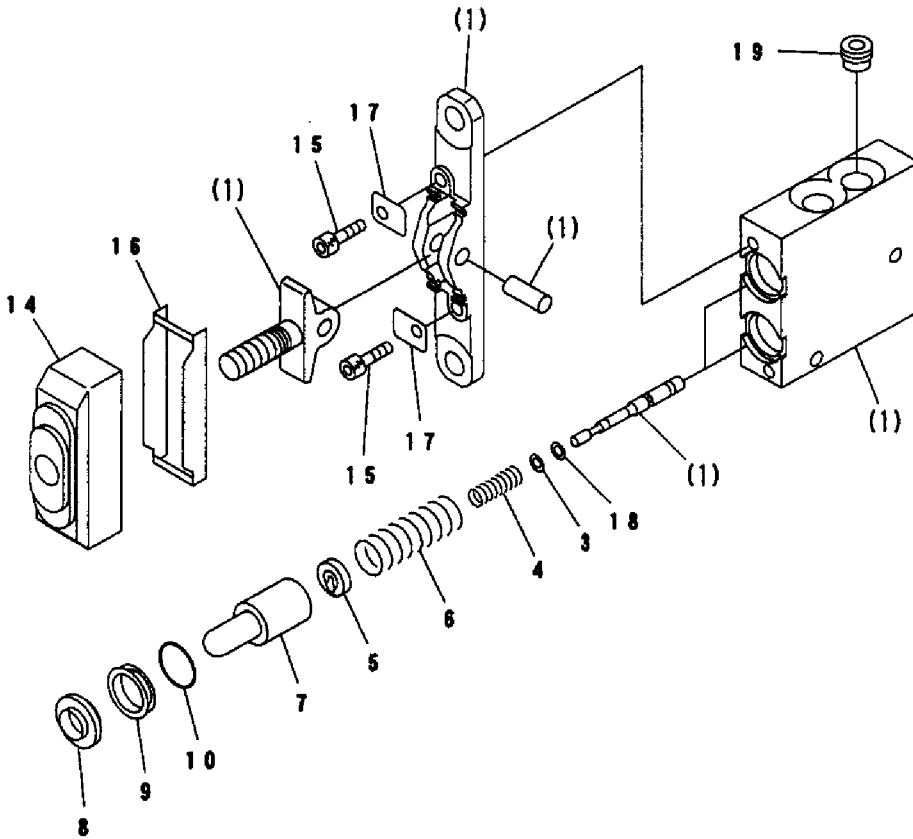
見出しNo. 1は、見出しNo. (1) から20を含みます。
Inc. (1) ~ 20



1,1,,182900-92820,, "PILOT VALVE",1,,,,,,,,,,,,,
3,2,,953KM0-03742,, "SHIM 0.3MM",2,,,,,,,,,,,,,
4,2,,182900-31380,, SPRING,2,,,,,,,,,,,,,
5,2,,182900-31400,, RETAINER,2,,,,,,,,,,,,,
6,2,,182900-31390,, SPRING,2,,,,,,,,,,,,,
7,2,,953KM0-03747,, PISTON,2,,,,,,,,,,,,,
8,2,,953KM0-03744,, SEAL,2,,,,,,,,,,,,,
9,2,,182900-31410,, COLLAR,2,,,,,,,,,,,,,
10,2,,182900-31420,, O-RING,2,,,,,,,,,,,,,
14,2,,182900-31460,, BOOT,1,,,,,,,,,,,,,
15,2,,953KM0-12189,, BOLT,2,,,,,,,,,,,,,
16,2,,182900-31480,, PLATE,1,,,,,,,,,,,,,
17,2,,182900-31470,, PLATE,2,,,,,,,,,,,,,
18,2,,182900-31490,, "SHIM, 0.2MM",4,,,,,,,,,,,,,
19,2,,182900-92930,, FILTER,1,,,,,,,,,,,,,

Fig. 253 パイロットバルブ (リアアタッチメント) PILOT VALVE (REAR ATTCHMENT)

見出しNo. 1は、見出しNo. (1) から19を含みます。
1 inc. (1) ~ 19



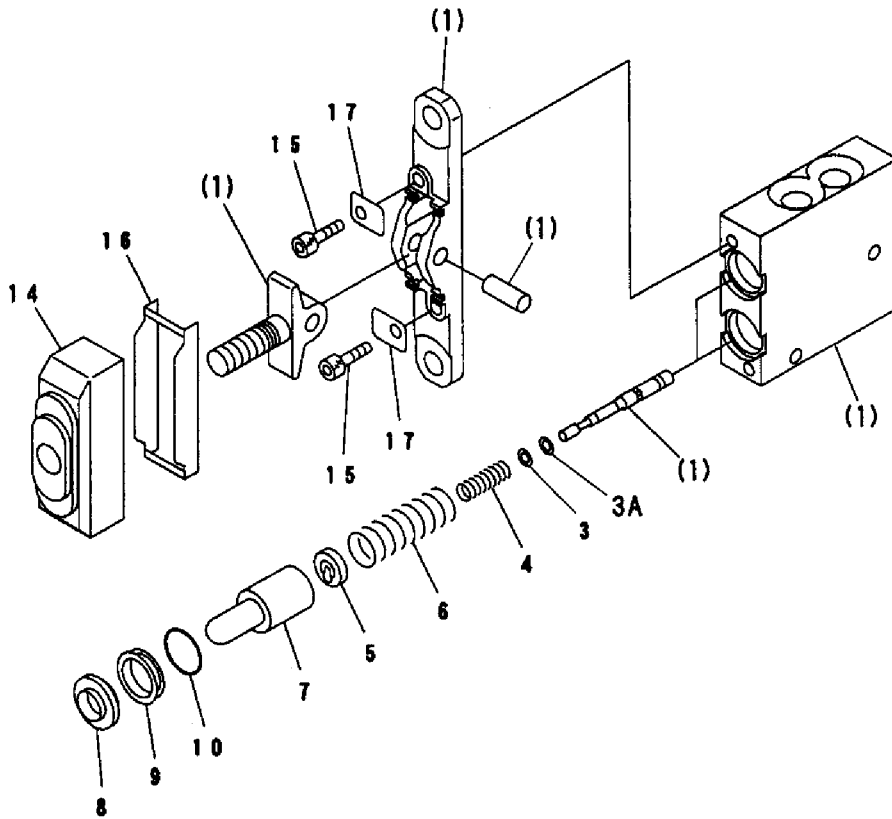
1,1,,182900-31360,, "VALVE ASS'Y",1,,,,,,,,,,,,,
3,2,,953KM0-03742,, "SHIM 0.3MM",2,,,,,,,,,,,,,
3A,2,,182900-31490,, "SHIM, 0.2MM",4,,,,,,,,,,,,,
4,2,,182900-31380,, SPRING,2,,,,,,,,,,,,,
5,2,,182900-31400,, RETAINER,2,,,,,,,,,,,,,
6,2,,182900-31390,, SPRING,2,,,,,,,,,,,,,
7,2,,953KM0-03747,, PISTON,2,,,,,,,,,,,,,
8,2,,953KM0-03744,, SEAL,2,,,,,,,,,,,,,
9,2,,182900-31410,, COLLAR,2,,,,,,,,,,,,,
10,2,,182900-31420,, O-RING,2,,,,,,,,,,,,,
14,2,,182900-31460,, BOOT,1,,,,,,,,,,,,,
15,2,,953KM0-12189,, BOLT,2,,,,,,,,,,,,,
16,2,,182900-31480,, PLATE,1,,,,,,,,,,,,,
17,2,,182900-31470,, PLATE,2,,,,,,,,,,,,,

Fig. 254

パイロットバルブ (オフセット)

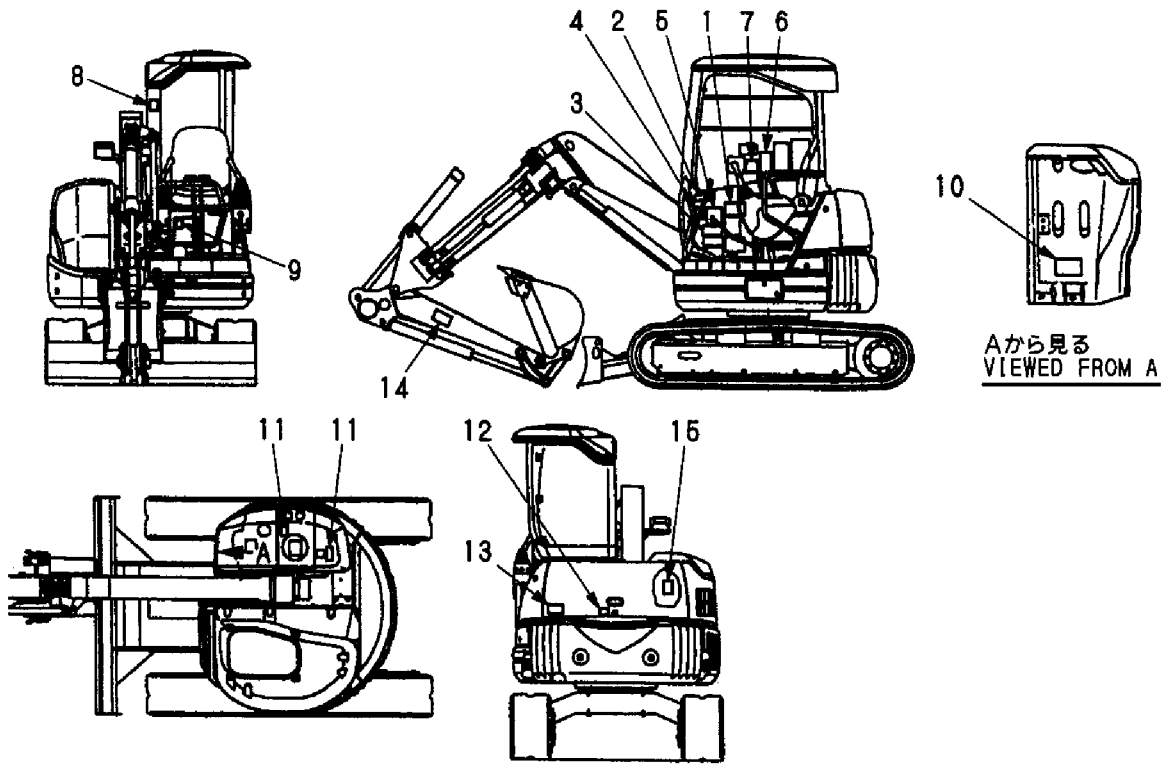
PILOT VALVE (OFFSET CONTROL)

見出しNo. 1は、見出しNo. (1) から17を含みます。
1 inc. (1) ~ 17

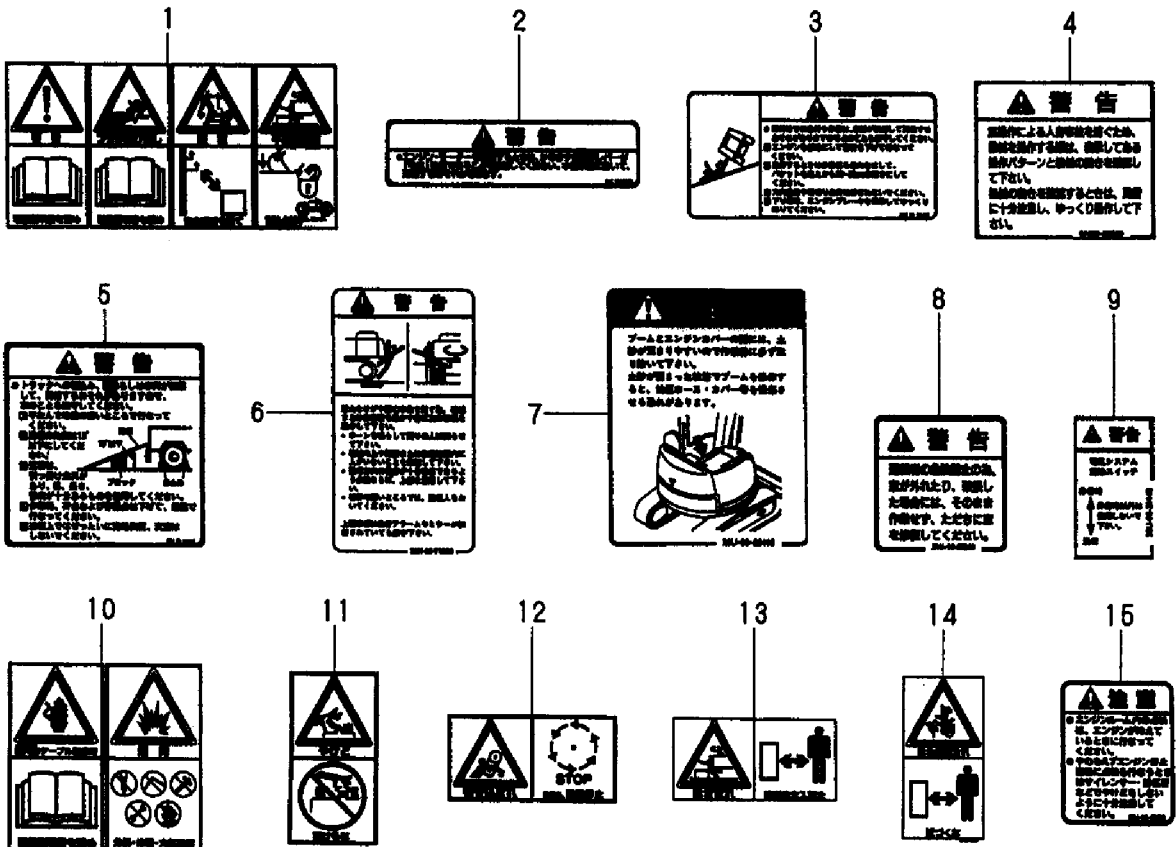


1,1,,182901-17930,, "PLATE, WARNING",1,,,,,,,,,,,,,,,,,,,,,
2,1,,182901-18000,, "PLATE, SAFETY",1,,,,,,,,,,,,,,,,,,,,,
3,1,,182900-47710,, "PLATE, WARNING",1,,,,,,,,,,,,,,,,,,,,,
4,1,,182900-83660,, "PLATE, SAFETY",1,,,,,,,,,,,,,,,,,,,,,
5,1,,182900-47720,, "PLATE, WARNING",1,,,,,,,,,,,,,,,,,,,,,
6,1,,182901-18010,, "PLATE, MARK",1,,,,,,,,,,,,,,,,,,,,,
7,1,,182900-44110,, "PLATE, CAUTION",1,,,,,,,,,,,,,,,,,,,,,
8,1,,182900-23640,, PLATE,1,,,,,,,,,,,,,,,,,,,,,
9,1,,182900-27050,, "PLATE, CAUTION",1,,,,,,,,,,,,,,,,,,,,,
10,1,,182901-17960,, "PLATE, SAFETY",1,,,,,,,,,,,,,,,,,,,,,
11,1,,182901-17980,, "PLATE, SAFETY",2,,,,,,,,,,,,,,,,,,,,,
12,1,,182901-17970,, "PLATE, SAFETY",1,,,,,,,,,,,,,,,,,,,,,
13,1,,182901-17940,, "PLATE, SAFETY",1,,,,,,,,,,,,,,,,,,,,,
14,1,,182901-17950,, "PLATE, SAFETY",2,,,,,,,,,,,,,,,,,,,,,
15,1,,182900-49890,, PLATE,1,,,,,,,,,,,,,,,,,,,,,

Fig. **255** 安全銘板 (キャノピ)
SAFETY LABEL (CANOPY)

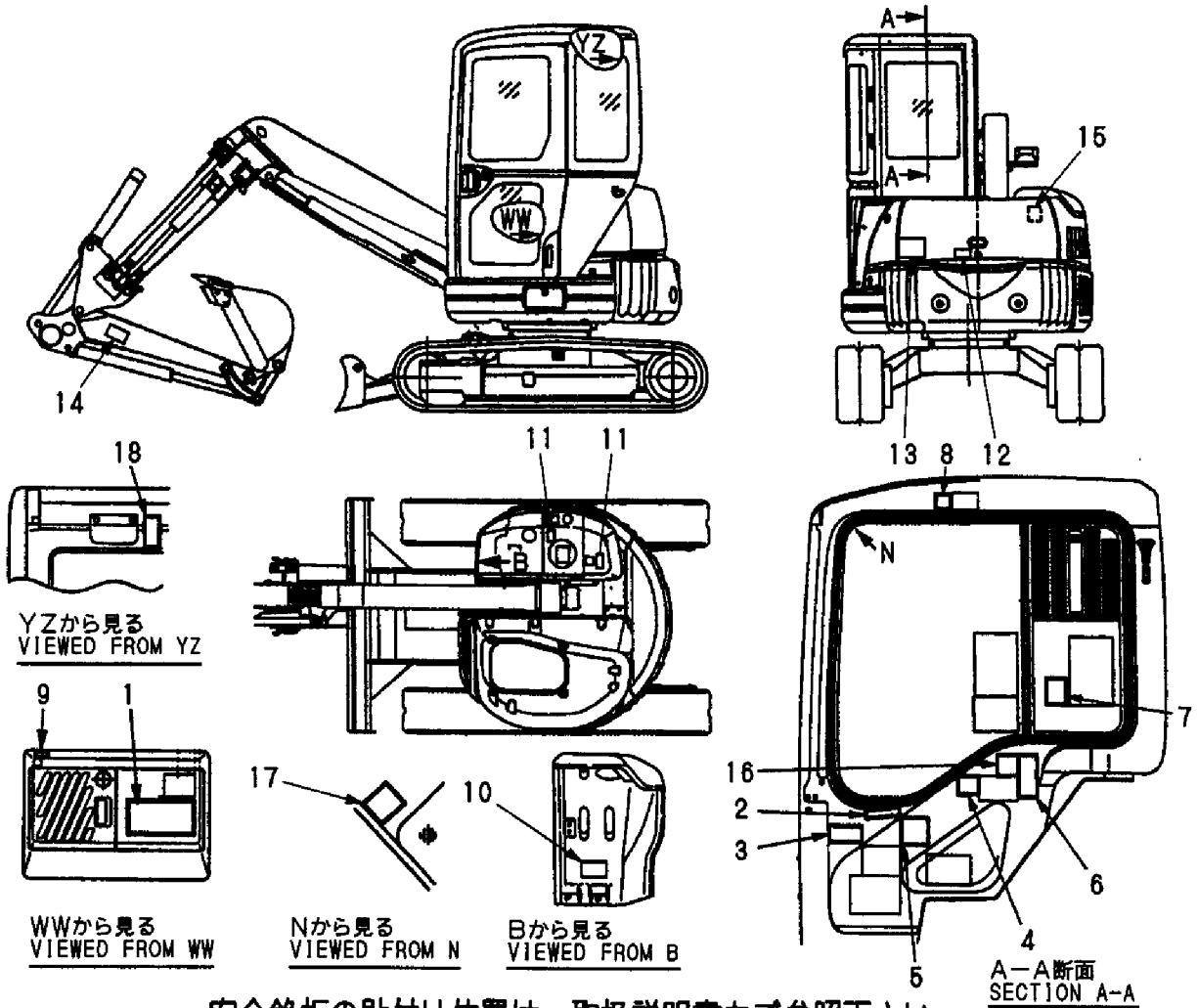


安全銘板の貼付け位置は、取扱説明書をご参照下さい。

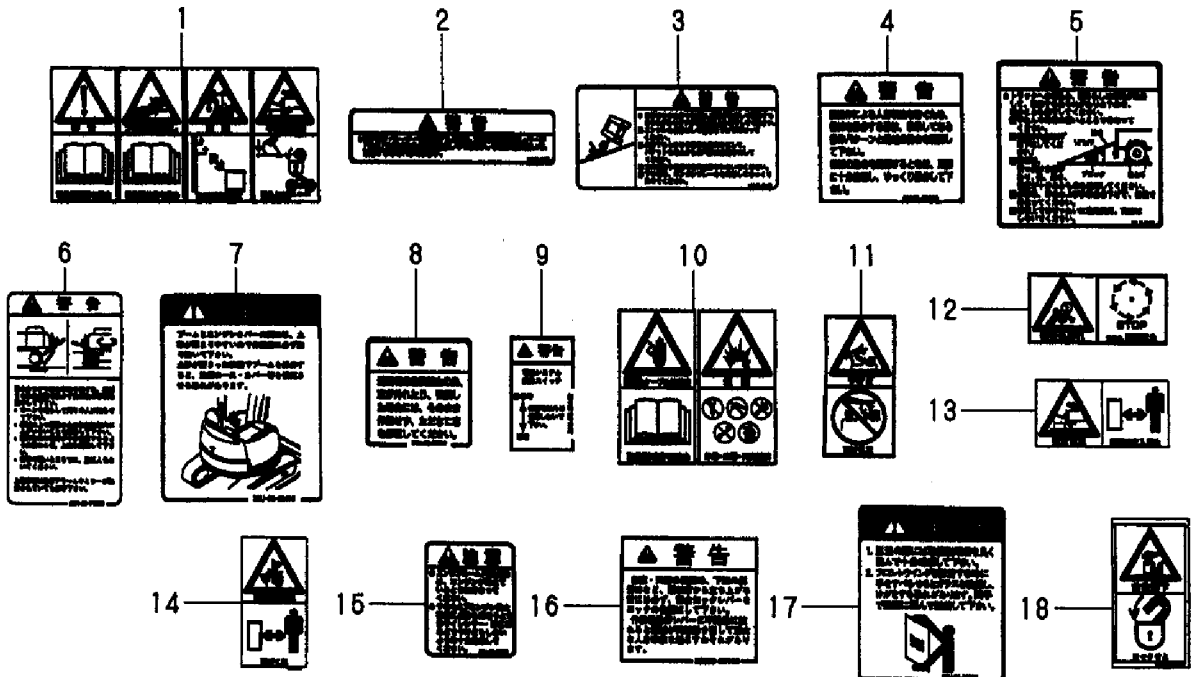


1,1,,182901-17930,, "PLATE, WARNING",1,,,,,,,,,,,,,,,,,,,,,
2,1,,182901-18000,, "PLATE, SAFETY",1,,,,,,,,,,,,,,,,,,,,,
3,1,,182900-47710,, "PLATE, WARNING",1,,,,,,,,,,,,,,,,,,,,,
4,1,,182900-83660,, "PLATE, SAFETY",1,,,,,,,,,,,,,,,,,,,,,
5,1,,182900-47720,, "PLATE, WARNING",1,,,,,,,,,,,,,,,,,,,,,
6,1,,182901-18010,, "PLATE, MARK",1,,,,,,,,,,,,,,,,,,,,,
7,1,,182900-44110,, "PLATE, CAUTION",1,,,,,,,,,,,,,,,,,,,,,
8,1,,182900-23640,, PLATE,1,,,,,,,,,,,,,,,,,,,,,
9,1,,182900-27050,, "PLATE, CAUTION",1,,,,,,,,,,,,,,,,,,,,,
10,1,,182901-17960,, "PLATE, SAFETY",1,,,,,,,,,,,,,,,,,,,,,
11,1,,182901-17980,, "PLATE, SAFETY",2,,,,,,,,,,,,,,,,,,,,,
12,1,,182901-17970,, "PLATE, SAFETY",1,,,,,,,,,,,,,,,,,,,,,
13,1,,182901-17940,, "PLATE, SAFETY",1,,,,,,,,,,,,,,,,,,,,,
14,1,,182901-17950,, "PLATE, SAFETY",2,,,,,,,,,,,,,,,,,,,,,
15,1,,182900-49890,, PLATE,1,,,,,,,,,,,,,,,,,,,,,
16,1,,182901-25300,, LABEL,1,,,,,,,,,,,,,,,,,,,,,
17,1,,182901-25290,, LABEL,1,,,,,,,,,,,,,,,,,,,,,
18,1,,182901-25310,, LABEL,1,,,,,,,,,,,,,,,,,,,,,

Fig. **256** 安全銘板 (キャビン)
SAFETY LABEL (CABIN)



安全銘板の貼付け位置は、取扱説明書をご参照下さい。



0,Y00K3701
1,001,, "VEHICLE B4U-1"
2,1,, "ENGINE MOUNT",B4U-1,,,
2,2,, EXH.PIPE,B4U-1,,,
2,3,, SUC.PIPE,B4U-1,,,
2,4,, "FUEL CONTROL LEVER",B4U-1,,,
2,5,, "FUEL CONTROL LEVER(ONE TOUCH D",B4U-1,,,
2,6,, DUMPER,B4U-1,,,
2,7,, "RADIATOR & OIL COOLER",B4U-1,,,
2,8,, "RADIATOR MOUNT",B4U-1,,,
2,9,, "BELT & FAN GUARD",B4U-1,,,
2,10,, NET,B4U-1,,,
2,11,, "FUEL TANK",B4U-1,,,
2,12,, "FUEL PIPE",B4U-1,,,
2,13,, BATTERY,B4U-1,,,
2,14,, "ELECTRIC PART(1)",B4U-1,,,
2,15,, "ELECTRIC PART(2)",B4U-1,,,
2,16,, "BATTERY CABLE",B4U-1,,,
2,17,, "SAFETY EQUIP.(ELECTRIC PART)",B4U-1,,,
2,18,, "HYD.OIL TANK",B4U-1,,,
2,19,, "HYD.OIL TANK MOUNT",B4U-1,,,
2,20,, "FITTING(CONTROL VALVE)",B4U-1,,,
2,21,, "MOUNT & FITTING(HYD.OIL PUMP,N",B4U-1,,,
2,22,, "MOUNT & FITTING(HYD.OIL PUMP,N",B4U-1,,,
2,23,, "MOUNT & FITTING(HYD.OIL PUMP,C",B4U-1,,,
2,24,, "HYD.OIL PIPING(SUCTION,PREVIUO",B4U-1,,,
2,25,, "HYD.OIL PIPING(SUCTION,NEW)",B4U-1,,,
2,26,, "HYD.OIL PIPING(DELIVERY)",B4U-1,,,
2,27,, "HYD.OIL PIPING(DELIVERY,CABIN)",B4U-1,,,
2,28,, "HYD.OIL PIPING(RETURN)",B4U-1,,,
2,29,, "HYD.OIL PIPING(DRAIN)",B4U-1,,,
2,30,, "HYD.OIL PIPING(BOOM,MOTOR & SW",B4U-1,,,
2,31,, "HYD.OIL PIPING(BOOM CYLINDER)",B4U-1,,,
2,32,, "MOUNT(HYD.OIL PIPING)",B4U-1,,,
2,33,, "HYD.OIL PIPING(ATTACHMENT)(1)",B4U-1,,,
2,34,, "HYD.OIL PIPING(ATTACHMENT)(2)",B4U-1,,,
2,35,, "4 WAY MULTI VALVE",B4U-1,,,
2,36,, "LABEL(4 WAY MULTI)",B4U-1,,,
2,37,, "HYD.OIL PIPING(L.S.,PREVIOUS)",B4U-1,,,
2,38,, "HYD.OIL PIPING(L.S.,NEW)",B4U-1,,,
2,39,, "HYD.OIL PIPING(PILOT,PREVIOUS)",B4U-1,,,
2,40,, "HYD.OIL PIPING(PILOT,NEW)",B4U-1,,,
2,41,, "REVOLVING FRAME",B4U-1,,,
2,42,, "PIN & SENSOR(BOOM)",B4U-1,,,
2,43,, "SENSOR(INNER PART)",B4U-1,,,
2,44,, "LUB.OIL PIPE",B4U-1,,,
2,45,, "OPERATOR SEAT",B4U-1,,,
2,46,, "SEAT BELT",B4U-1,,,
2,47,, "OPERATOR SEAT STAND COVER",B4U-1,,,
2,48,, CABIN,B4U-1,,,
2,49,, "CABIN DOOR(1)",B4U-1,,,
2,50,, "CABIN DOOR(2)",B4U-1,,,
2,51,, "WIPER & ELECTRIC PART",B4U-1,,,
2,52,, "CABIN SASH",B4U-1,,,
2,53,, "CABIN ROOF",B4U-1,,,
2,54,, "DOOR CATCH(CABIN)",B4U-1,,,
2,55,, HAMMER(CABIN),B4U-1,,,
2,56,, WIRING(CABIN),B4U-1,,,
2,57,, "WINDOW WASHER(CABIN)",B4U-1,,,
2,58,, LAMP(CABIN),B4U-1,,,
2,59,, HANDLE(CABIN),B4U-1,,,
2,60,, "CABIN MOUNT",B4U-1,,,
2,61,, ASHTRAY(CABIN),B4U-1,,,

2,62,,SHEET(CABIN),B4U-1,,,
2,63,, "FLOOR MAT (CANOPY)",B4U-1,,,
2,64,, "FLOOR MAT (CABIN)",B4U-1,,,
2,65,, "FLOOR MAT (1-ACTUATER ATTACHME",B4U-1,,,
2,66,, "FLOOR MAT (1-ACTUATER ATTACHME",B4U-1,,,
2,67,, "FLOOR MAT (AIR CON)",B4U-1,,,
2,68,, "FLOOR MAT (1-ACTUATER ATTACHME",B4U-1,,,
2,69,, "WINDOW WASHER TANK(CAIBN)",B4U-1,,,
2,70,,CANOPY,B4U-1,,,
2,71,,HEATER,B4U-1,,,
2,72,, "AIR CON (DUCT & CONDENCER)",B4U-1,,,
2,73,, "AIR CON (COOLER HOSE)",B4U-1,,,
2,74,, "AIR CON (RECEIVER & COMPRESSOR",B4U-1,,,
2,75,, "AIR CON (HEATER HOSE)",B4U-1,,,
2,76,, "AIR CON(RESERVE TANK)",B4U-1,,,
2,77,, "AIR CON(PIPE & SOLENOID VALVE)",B4U-1,,,
2,78,,RADIO,B4U-1,,,
2,79,, "FLOOR FRAME(BASE)",B4U-1,,,
2,80,, "FLOOR FRAME(CAP)",B4U-1,,,
2,81,, "FLOOR FRAME(CAP,CABIN)",B4U-1,,,
2,82,, "FLOOR FRAME(CAP,AIR CON)",B4U-1,,,
2,83,, "FLOOR FRAME(BRACKET,LEFT)",B4U-1,,,
2,84,, "FLOOR FRAME(PANEL BOX,LEFT)(1)",B4U-1,,,
2,85,, "FLOOR FRAME(PANEL BOX,LEFT)(2)",B4U-1,,,
2,86,, "FLOOR FRAME(PANEL BOX,LEFT)(2)",B4U-1,,,
2,87,, "FLOOR FRAME(PANEL BOX,LEFT)(2)",B4U-1,,,
2,88,, "FLOOR FRAME(BUZZER & WIRE,LEFT",B4U-1,,,
2,89,, "FLOOR FRAME(SWING CONTROL LEVE",B4U-1,,,
2,90,, "FLOOR FRAME(SWING CONTROL LEVE",B4U-1,,,
2,91,, "FLOOR FRAME(PILOT VALVE,LEFT)",B4U-1,,,
2,92,, "FLOOR FRAME(PIOLT LINE,LEFT)",B4U-1,,,
2,93,, "FLOOR FRAME(LOCK LEVER,LEFT)",B4U-1,,,
2,94,, "FLOOR FRAME(PANEL BOX,RIGHT)",B4U-1,,,
2,95,, "FLOOR FRAME(PANEL BOX,RIGHT)(O",B4U-1,,,
2,96,, "FLOOR FRAME(BUCKET CONTROL LEV",B4U-1,,,
2,97,, "FLOOR FRAME(PILOT VALVE,RIGHT)",B4U-1,,,
2,98,, "FLOOR FRAME(PILOT LINE,RIGHT)",B4U-1,,,
2,99,, "FLOOR FRAME(BLADE CONTROL LEVE",B4U-1,,,
2,100,, "FLOOR FRAME(ACCEL CONTROL LEVE",B4U-1,,,
2,101,, "FLOOR FRAME(ONE TOUCH DECEL)",B4U-1,,,
2,102,, "FLOOR FRAME(COVER)",B4U-1,,,
2,103,, "FLOOR FRAME(ELECTRIC PART)",B4U-1,,,
2,104,, "FLOOR FRAME(RESET SWITCH)",B4U-1,,,
2,105,, "FLOOR FRAME(AIR CON)",B4U-1,,,
2,106,, "FLOOR FRAME(MOUNT)",B4U-1,,,
2,107,, "FLOOR COVER(FLOOR PLATE,CANOPY",B4U-1,,,
2,108,, "FLOOR COVER(FLOOR PLATE,CANOPY",B4U-1,,,
2,109,, "FLOOR COVER(FLOOR PLATE,CAIBN)",B4U-1,,,
2,110,, "FLOOR COVER(FLOOR PLATE,1-ACTU",B4U-1,,,
2,111,, "FLOOR COVER(FLOOR PLATE,AIR CO",B4U-1,,,
2,112,, "FLOOR COVER(FLOOR PLATE,1-ACTU",B4U-1,,,
2,113,, "FLOOR COVER(FLOOR PLATE,1-ACTU",B4U-1,,,
2,114,, "FLOOR COVER(AIR CON HOSE)",B4U-1,,,
2,115,, "FLOOR COVER(FOOT REST)",B4U-1,,,
2,116,, "FLOOR COVER(SHEET,CABIN)",B4U-1,,,
2,117,, "FLOOR COVER(TOOL BOX,CANOPY)",B4U-1,,,
2,118,, "FLOOR COVER(TOOL BOX,CABIN)",B4U-1,,,
2,119,, "FLOOR COVER(TOOL BOX,AIR CON)",B4U-1,,,
2,120,, "TRAVEL SPEED PEDAL",B4U-1,,,
2,121,, "FLOOR COVER(PILOT HOSE,CANOPY)",B4U-1,,,
2,122,, "FLOOR COVER(PILOT HOSE,CABIN)",B4U-1,,,
2,123,, "FLOOR COVER(BRACKET &MOUNT,CA",B4U-1,,,
2,124,, "FLOOR COVER(DUCT,CABIN)",B4U-1,,,

2,125,, "FLOOR COVER(DECAL PLATE,1-ACTU",B4U-1,,,
2,126,, "CONTROL EQUIP.(TRAVEL)(1)",B4U-1,,,
2,127,, "CONTROL EQUIP.(TRAVEL)(2)",B4U-1,,,
2,128,, "CONTROL EQUIP.(TRAVEL)(2)(1-ACT",B4U-1,,,
2,129,, "CONTROL VALVE",B4U-1,,,
2,130,, "CONTROL VALVE(1-ACTUATER ATTAC",B4U-1,,,
2,131,, "VALVE BRACKET",B4U-1,,,
2,132,, "VALVE ELBOW",B4U-1,,,
2,133,, "SOLENOID VALVE",B4U-1,,,
2,134,, "HYD.OIL PIPING(OFFSET,PREVIOUS",B4U-1,,,
2,135,, "HYD.OIL PIPING(OFFSET,NEW)",B4U-1,,,
2,136,, "HYD.OIL PIPING(MAIN)",B4U-1,,,
2,137,, "CONTROL EQUIP.(BLADE)",B4U-1,,,
2,138,, "CONTROL EQUIP.(BLADE)(1-ACTUAT",B4U-1,,,
2,139,, "CONTROL EQUIP.(RESISTOR & RELA",B4U-1,,,
2,140,, "HYD.OIL PIPING(1-ACTUATER ATTA",B4U-1,,,
2,141,, "HYD.OIL PIPING(1-ACTUATER ATTA",B4U-1,,,
2,142,, "CONTROL EQUIP.(MOUNT)",B4U-1,,,
2,143,, "HAND RAIL",B4U-1,,,
2,144,, BONNET(CANOPY),B4U-1,,,
2,145,, BONNET(CABIN),B4U-1,,,
2,146,, "LEFT SIDE COVER(CANOPY)",B4U-1,,,
2,147,, "LEFT SIDE COVER(CABIN)",B4U-1,,,
2,148,, "RIGHT SIDE COVER",B4U-1,,,
2,149,, "FRONT COVER",B4U-1,,,
2,150,, "COUNTER WEIGHT",B4U-1,,,
2,151,, "COUNTER WEIGHT(OPTIONAL)",B4U-1,,,
2,152,, "COUNTER WEIGHT COVER",B4U-1,,,
2,153,, "UNDER COVER",B4U-1,,,
2,154,, "TURNING BEARING",B4U-1,,,
2,155,, "TURNING EQUIP.",B4U-1,,,
2,156,, "TURNING EQUIP.(INNER PART)",B4U-1,,,
2,157,, "SWIVEL JOINT",B4U-1,,,
2,158,, "SWIVEL JOINT MOUNT",B4U-1,,,
2,159,, "HYD.OIL PIPING(TRAVEL MOTOR)",B4U-1,,,
2,160,, "TRAVEL MOTOR",B4U-1,,,
2,161,, SPROCKET,B4U-1,,,
2,162,, "FRONT IDLER",B4U-1,,,
2,163,, "IDLER CUSHION",B4U-1,,,
2,164,, "TRACK ROLLER",B4U-1,,,
2,165,, "CARRIER ROLLER",B4U-1,,,
2,166,, "RUBBER CRAWLER(WIDH300MM)",B4U-1,,,
2,167,, "STEEL CRAWLER(WIDH300MM)",B4U-1,,,
2,168,, "TRACK FRAME",B4U-1,,,
2,169,, "TRACK FRAME COVER",B4U-1,,,
2,170,, "TRACK GUARD(RUBBER CRAWLER)",B4U-1,,,
2,171,, "TRACK GUARD(STEEL CRAWLER)",B4U-1,,,
2,172,, "1ST,2ND BOOM & 3RD BRACKET",B4U-1,,,
2,173,, "1ST,2ND BOOM & 3RD BRACKET(ATT",B4U-1,,,
2,174,, PIN(BOOM)(1),B4U-1,,,
2,175,, PIN(BOOM)(1)(ATTACHIMENT),B4U-1,,,
2,176,, PIN(BOOM)(2),B4U-1,,,
2,177,, "HYD.OIL PIPING(BOOM)",B4U-1,,,
2,178,, "WORK LAMP & BOOM CYLINDER COVE",B4U-1,,,
2,179,, "SAFETY EQUIP.(BOOM)",B4U-1,,,
2,180,, "BOOM CYLINDER",B4U-1,,,
2,181,, "ARM CYLINDER",B4U-1,,,
2,182,, "OFFSET CYLINDER",B4U-1,,,
2,183,, ARM,B4U-1,,,
2,184,, "LONG ARM",B4U-1,,,
2,185,, ARM(ATTACHIMENT),B4U-1,,,
2,186,, "SAFETY EQUIP(ARM)",B4U-1,,,
2,187,, "HYD.OIL PIPING(LONG ARM)",B4U-1,,,

2,188,, "BUCKET CYLINDER",B4U-1,,,
2,189,, "BUCKET LINK",B4U-1,,,
2,190,, "BUCKET PIN",B4U-1,,,
2,191,, "BUCKET PIN(WITH ADJST)",B4U-1,,,
2,192,, "HYD.OIL PIPING(BOOM & ARM ATTA",B4U-1,,,
2,193,, "BUCKET 0.08M3(MINI 0.14M3)WIDT",B4U-1,,,
2,194,, "BUCKET 0.05M3(MINI 0.08M3)WIDT",B4U-1,,,
2,195,, "BUCKET 0.10M3(MINI 0.18M3)WIDT",B4U-1,,,
2,196,, "BUCKET 0.10M3(MINI 0.18M3)WIDT",B4U-1,,,
2,197,, "BUCKET 0.08M3(MINI 0.14M3)WIDT",B4U-1,,,
2,198,, "BUCKET 0.05M3(MINI 0.08M3)WIDT",B4U-1,,,
2,199,, BLADE,B4U-1,,,
2,200,, "BLADE CYLINDER",B4U-1,,,
2,201,, "LABEL & PLATE(CABIN)",B4U-1,,,
2,202,, "LABEL & PLATE(CABIN)",B4U-1,,,
2,203,, LABEL(CANOPY),B4U-1,,,
2,204,, LABEL(CABIN),B4U-1,,,
2,205,, TOOL,B4U-1,,,
2,206,, "HYD.OIL PUMP(1)",B4U-1,,,
2,207,, "HYD.OIL PUMP(2)",B4U-1,,,
2,208,, "HYD.OIL PUMP(3)",B4U-1,,,
2,209,, "HYD.OIL PUMP(4)",B4U-1,,,
2,210,, "HYD.OIL PUMP(5)",B4U-1,,,
2,211,, "HYD.OIL PUMP(6)",B4U-1,,,
2,212,, "SWIVEL JOINT(INNER PART)",B4U-1,,,
2,213,, "TURNING MOTOR(INNER PART)(1)",B4U-1,,,
2,214,, "TURNING MOTOR(INNER PART)(2)",B4U-1,,,
2,215,, "TRAVEL MOTOR(INNER PART)(1)",B4U-1,,,
2,216,, "TRAVEL MOTOR(INNER PART)(2)",B4U-1,,,
2,217,, "TRAVEL MOTOR(INNER PART)(3)",B4U-1,,,
2,218,, "CONTROL VALVE(1)",B4U-1,,,
2,219,, "CONTROL VALVE(2)",B4U-1,,,
2,220,, "CONTROL VALVE(3)",B4U-1,,,
2,221,, "CONTROL VALVE(4)",B4U-1,,,
2,222,, "CONTROL VALVE(5)",B4U-1,,,
2,223,, "CONTROL VALVE(6)",B4U-1,,,
2,224,, "CONTROL VALVE(7)",B4U-1,,,
2,225,, "CONTROL VALVE(8)",B4U-1,,,
2,226,, "CONTROL VALVE(9)",B4U-1,,,
2,227,, "CONTROL VALVE(10)",B4U-1,,,
2,228,, "CONTROL VALVE(11)",B4U-1,,,
2,229,, "CONTROL VALVE(12)",B4U-1,,,
2,230,, "CONTROL VALVE(13)",B4U-1,,,
2,231,, "CONTROL VALVE(14)",B4U-1,,,
2,232,, "CONTROL VALVE(15)",B4U-1,,,
2,233,, "CONTROL VALVE(1)(2 ACTUATOR)",B4U-1,,,
2,234,, "CONTROL VALVE(2)(2 ACTUATOR)",B4U-1,,,
2,235,, "CONTROL VALVE(3)(2 ACTUATOR)",B4U-1,,,
2,236,, "CONTROL VALVE(4)(2 ACTUATOR)",B4U-1,,,
2,237,, "CONTROL VALVE(5)(2 ACTUATOR)",B4U-1,,,
2,238,, "CONTROL VALVE(6)(2 ACTUATOR)",B4U-1,,,
2,239,, "CONTROL VALVE(7)(2 ACTUATOR)",B4U-1,,,
2,240,, "CONTROL VALVE(8)(2 ACTUATOR)",B4U-1,,,
2,241,, "CONTROL VALVE(9)(2 ACTUATOR)",B4U-1,,,
2,242,, "CONTROL VALVE(10)(2 ACTUATOR)",B4U-1,,,
2,243,, "CONTROL VALVE(11)(2 ACTUATOR)",B4U-1,,,
2,244,, "CONTROL VALVE(12)(2 ACTUATOR)",B4U-1,,,
2,245,, "CONTROL VALVE(13)(2 ACTUATOR)",B4U-1,,,
2,246,, "CONTROL VALVE(14)(2 ACTUATOR)",B4U-1,,,
2,247,, "CONTROL VALVE(15)(2 ACTUATOR)",B4U-1,,,
2,248,, "CONTROL VALVE(16)(2 ACTUATOR)",B4U-1,,,
2,249,, "CONTROL VALVE(17)(2 ACTUATOR)",B4U-1,,,
2,250,, "CONTROL VALVE(18)(2 ACTUATOR)",B4U-1,,,

2,251,, "CONTROL VALVE(19)(2 ACTUATOR)",B4U-1,,,
2,252,, "PILOT VALVE(REMOTE CONTROL)",B4U-1,,,
2,253,, "PILOT VALVE(REAR ATTACHMENT)",B4U-1,,,
2,254,, "PILOT VALVE(OFFSET CONTROL)",B4U-1,,,
2,255,, "SAFETY LABEL(CANOPY)",B4U-1,,,
2,256,, "SAFETY LABEL(CABIN)",B4U-1,,,