

P R E F A C E

1. This parts catalog is the 1st edition of Yanmar crawler backhoe B30V - 1 for AMMANN YANMAR.

Pub. No. : 000Y00S3690

Published : Feb., 1998

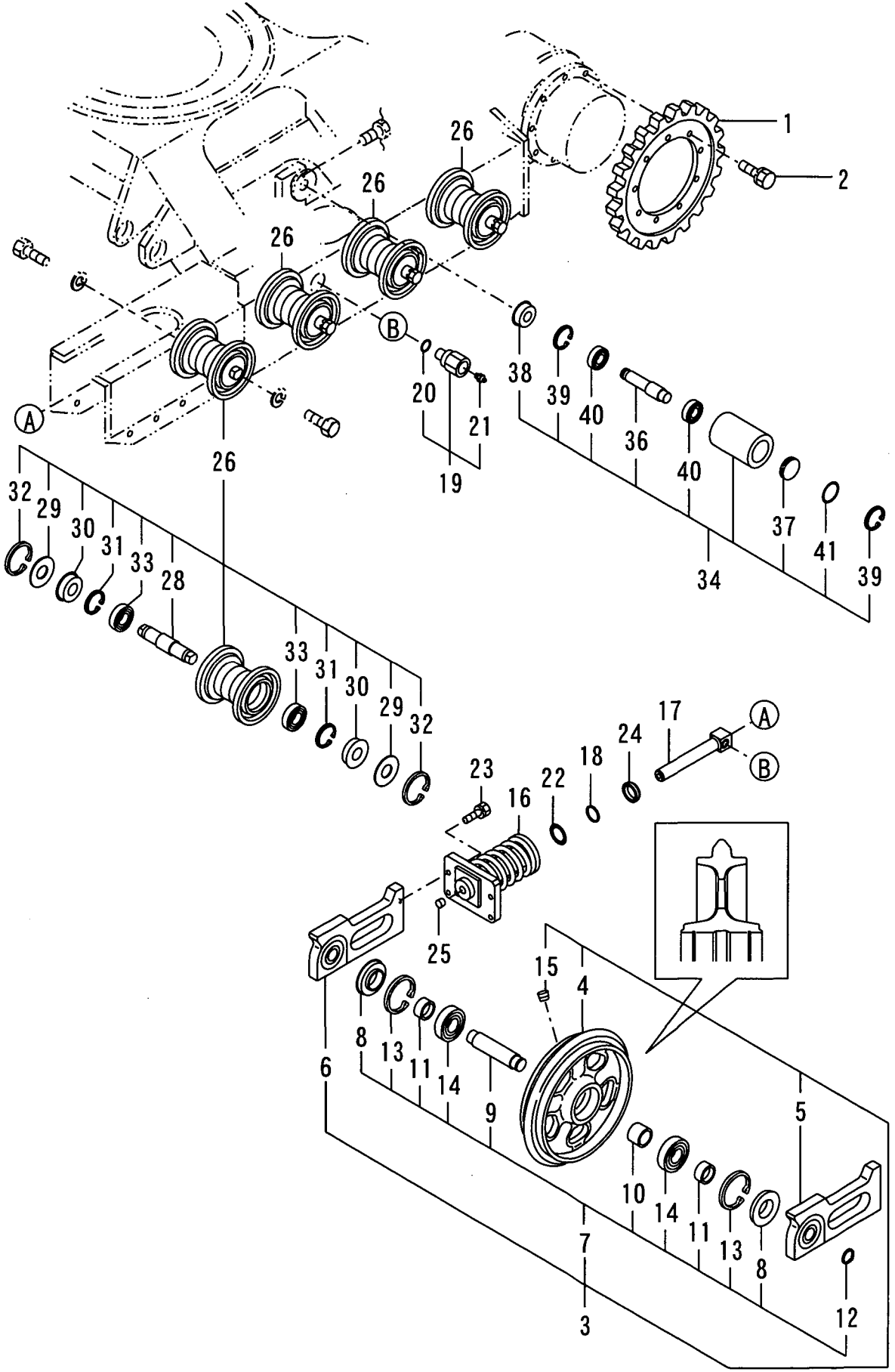
2. Model name

SECTION	Column	Fig. No.	Model name
I (Vehicle)	(A)	1 ~ 6	B30V - 1
II (Engine)	(A)	1 ~ 17	3TNE82A - B1A

3. Your understanding is asking that this parts catalog is not a technical data manual setting forth as servicing procedures, This parts catalog is using simplified illustration. Be sure to use Yanmar Genuine Parts in your maintenance servicing of Yanmar products. Be careful not to use the simple parts available in the market ; otherwise their use in repairing causes such as an early breakage, for instance.

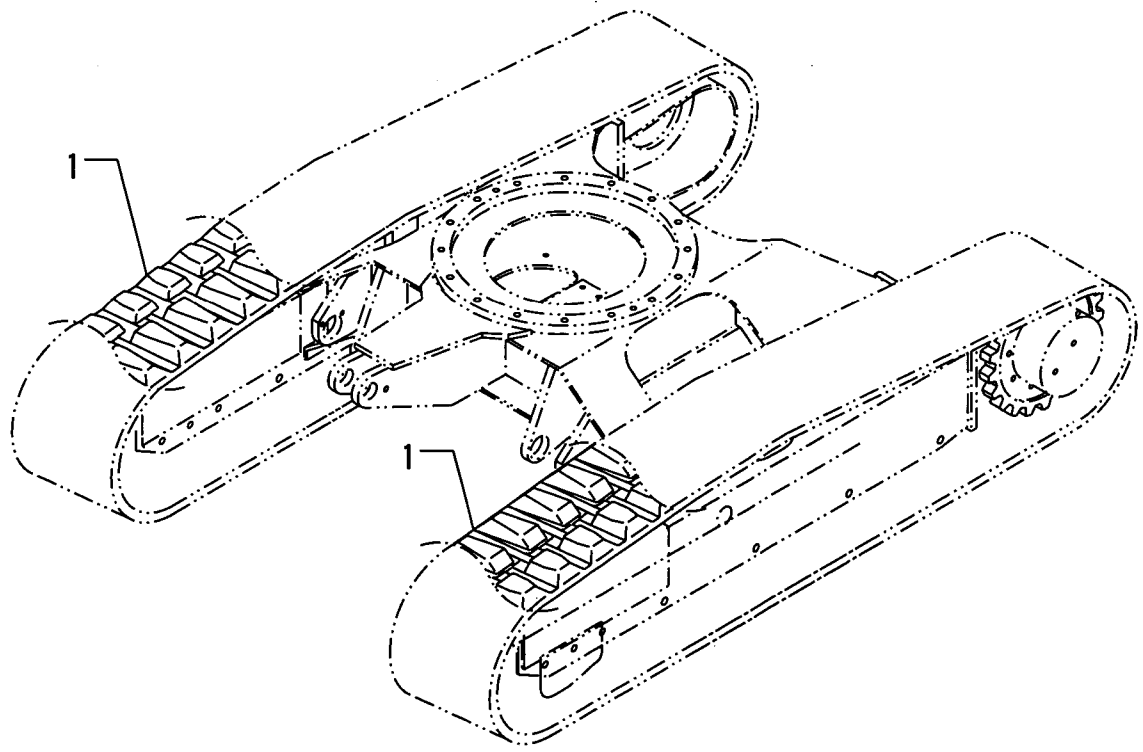
1,1,,172141-29110,,SPROCKET,2,,,,,,,,,,,,,
2,1,,26013-120302,, "BOLT W/WASHER M12X30",18,,,,,,,,,,,,,
3,1,,772422-37100,, "IDLER 289",2,,,,,,,,,,,,,
4,2,,172422-37100,, IDLER,2,,,,,,,,,,,,,
5,2,,172141-37111,, "FORK(L), IDLER",2,,,,,,,,,,,,,
6,2,,172141-37121,, "FORK(R), IDLER",2,,,,,,,,,,,,,
7,2,,172175-99490,, "IDLER KIT, FRONT",2,,,,,,,,,,,,,
8,3,,172164-37120,, "SEAL 45 85 8.5 19",4,,,,,,,,,,,,,
9,3,,172175-37130,, "SHAFT, IDLE",2,,,,,,,,,,,,,
10,3,,172631-37150,, "COLLER 35X45X34",2,,,,,,,,,,,,,
11,3,,172631-37160,, "COLLER 35X45X22.5",4,,,,,,,,,,,,,
12,3,,22242-000300,, "CIRCLIP 30",2,,,,,,,,,,,,,
13,3,,22252-000800,, "CIRCLIP 80",4,,,,,,,,,,,,,
14,3,,24101-063074,, BEARING,4,,,,,,,,,,,,,
15,2,,194630-42120,, "PLUG PT1/8",2,,,,,,,,,,,,,
16,1,,172422-37700,, SPRING,2,,,,,,,,,,,,,
17,1,,172422-37780,, "PISTON ASSY, ADJUST",2,,,,,,,,,,,,,
18,1,,172122-37830,, "RING, BUCK UP",2,,,,,,,,,,,,,
19,1,,172122-37843,, "VALVE ASSY, NIPPLE",2,,,,,,,,,,,,,
20,2,,24315-000140,, "O-RING 1B P-14.0",2,,,,,,,,,,,,,
21,2,,24761-020000,, "NIPPLE PT1/8,GREASE",2,,,,,,,,,,,,,
22,1,,24325-000400,, "O-RING 1B G 40",2,,,,,,,,,,,,,
23,1,,26013-100402,, "BOLT M10X 40",8,,,,,,,,,,,,,
24,1,,933111-23600,, "SEAL 4052710",2,,,,,,,,,,,,,
25,1,,933171-13691,, "PLUG PT1/8",2,,,,,,,,,,,,,
26,1,,172441-37301,, "ROLLER ASSY, TRACK",8,,,,,,,,,,,,,
28,2,,172422-37310,, SHAFT,8,,,,,,,,,,,,,
29,2,,172141-37320,, "SPACER 75X2.6",16,,,,,,,,,,,,,
30,2,,1A1030-48250,, "SEAL QLF30621218,OIL",16,,,,,,,,,,,,,
31,2,,22252-000620,, "CIRCLIP 62(H)",16,,,,,,,,,,,,,
32,2,,22252-000750,, "CIRCLIP 75",16,,,,,,,,,,,,,
33,2,,933111-73800,, BEARING,16,,,,,,,,,,,,,
34,1,,172441-37500,, "ROLLER ASSY, CARIA",2,,,,,,,,,,,,,
36,2,,172146-37510,, "SHAFT, CARIA ROLLER",2,,,,,,,,,,,,,
37,2,,172116-37540,, "COVER, BLIND",2,,,,,,,,,,,,,
38,2,,1E6140-73420,, "SEAL QLF255218, OIL",2,,,,,,,,,,,,,
39,2,,22252-000520,, "CIRCLIP 52",4,,,,,,,,,,,,,
40,2,,24101-062054,, "BEARING #6205",4,,,,,,,,,,,,,
41,2,,24311-000460,, "O-RING 1A P-46.0",2,,,,,,,,,,,,,

Fig. 1 ROLLER & ADJUST



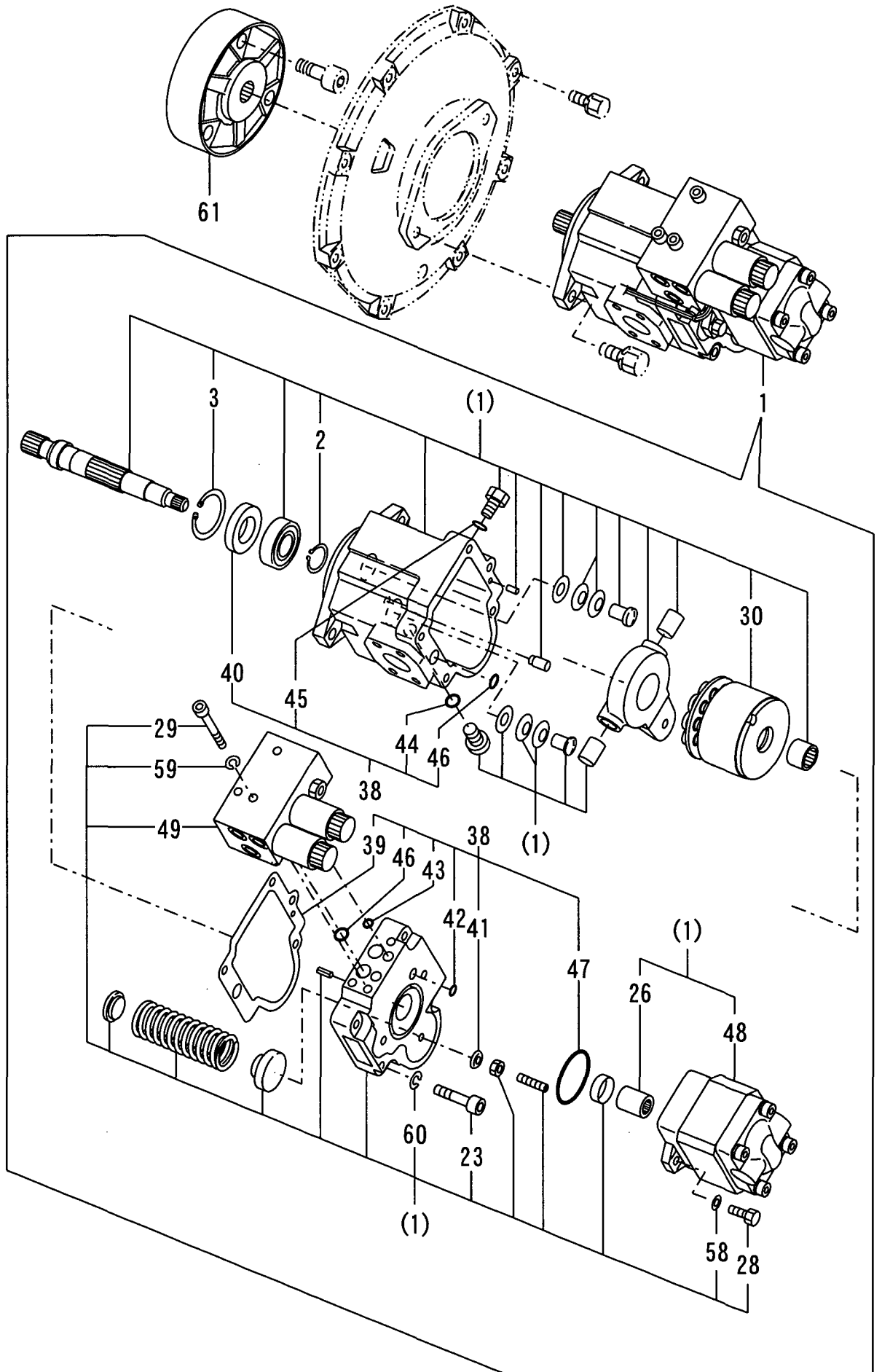
1,1,,172422-38600,, "CRAWLER, RUBBER",2,,,,,,,,,,,,,,,,,,,,,

Fig. 2 CRAWLER



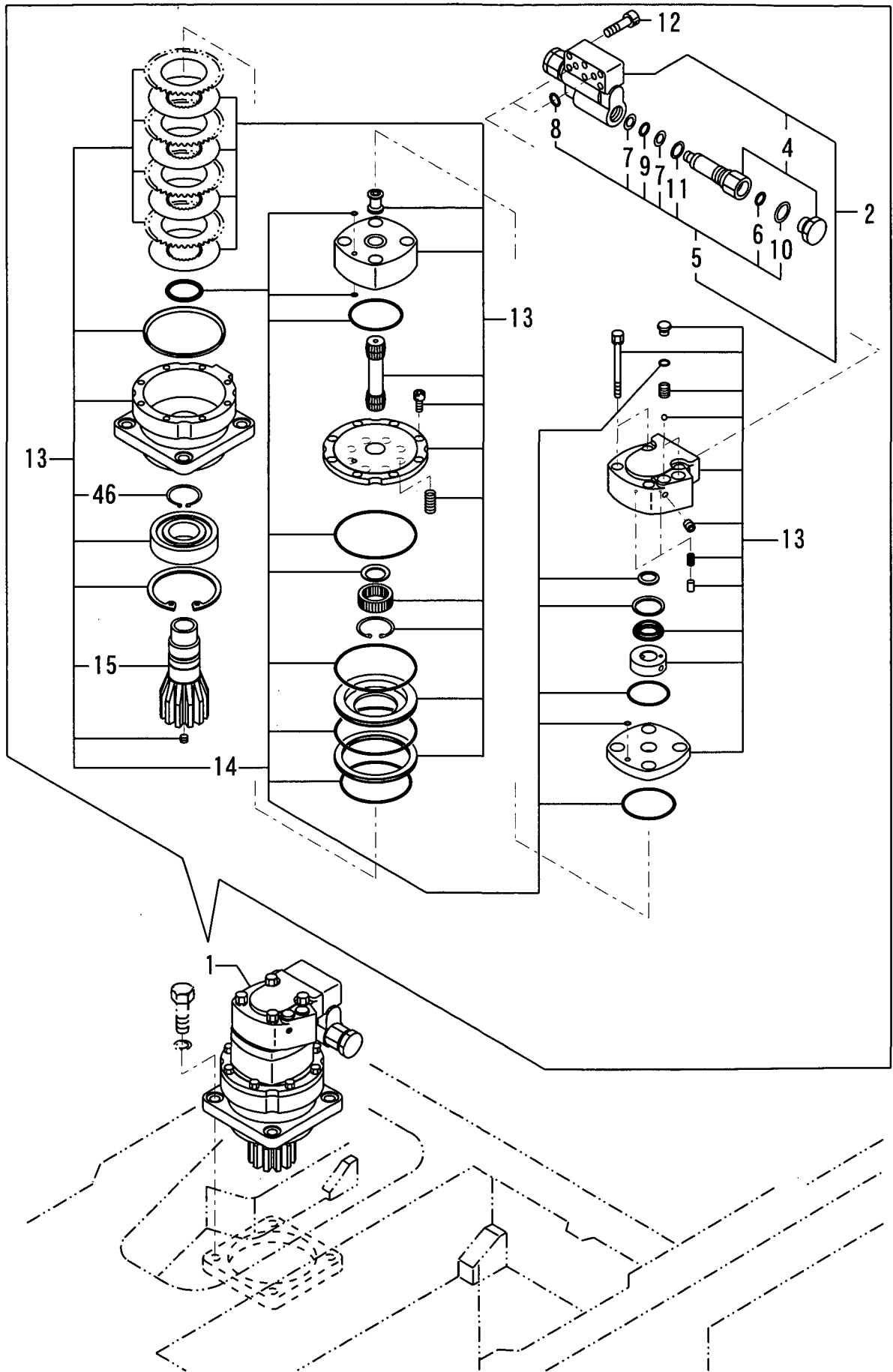
1,1,,172422-73101,, "PUMP ASSY",1,,,,,,,,,,,,,,,,,,,,,
2,2,,22252-000250,, "CIRCLIP 25",1,,,,,,,,,,,,,,,,,,,,,
3,2,,22252-000520,, "CIRCLIP 52",1,,,,,,,,,,,,,,,,,,,,,
23,2,,172422-73540,,BOLT,5,,,,,,,,,,,,,,,,,,,,,
26,2,,172422-73580,,COUPLING,1,,,,,,,,,,,,,,,,,,,,,
28,2,,172422-73600,,BOLT,2,,,,,,,,,,,,,,,,,,,,,
29,2,,172422-73610,,BOLT,3,,,,,,,,,,,,,,,,,,,,,
30,2,,172422-73680,, "VALEL KIT",1,,,,,,,,,,,,,,,,,,,,,
38,2,,172422-73700,, "SEAL KIT",1,,,,,,,,,,,,,,,,,,,,,
39,3,,172422-73170,,GASKET,1,,,,,,,,,,,,,,,,,,,,,
40,3,,172422-73510,,OILSEAL,1,,,,,,,,,,,,,,,,,,,,,
41,3,,172422-73570,,WASHER,1,,,,,,,,,,,,,,,,,,,,,
42,3,,24315-000070,, "O-RING 1B P-7.0",1,,,,,,,,,,,,,,,,,,,,,
43,3,,24315-000080,, "O-RING 1B P-8.0",2,,,,,,,,,,,,,,,,,,,,,
44,3,,24315-000110,, "O-RING 1B P-11.0",1,,,,,,,,,,,,,,,,,,,,,
45,3,,24315-000110,, "O-RING 1B P-11.0",1,,,,,,,,,,,,,,,,,,,,,
46,3,,24315-000120,, "O-RING 1B P-12.0",3,,,,,,,,,,,,,,,,,,,,,
47,3,,24325-000550,, "O-RING 1B G-55.0",1,,,,,,,,,,,,,,,,,,,,,
48,2,,172422-73710,, "PUMP, GEAR",1,,,,,,,,,,,,,,,,,,,,,
49,2,,172422-73721,, "VALVE BLOCK ASSY",1,,,,,,,,,,,,,,,,,,,,,
58,2,,22133-080000,, "WASHER 8",2,,,,,,,,,,,,,,,,,,,,,
59,2,,22212-080000,, "WASHER 8",3,,,,,,,,,,,,,,,,,,,,,
60,2,,22212-100000,, "WASHER 10",5,,,,,,,,,,,,,,,,,,,,,
61,1,,172165-71200,,COUPLING,1,,,,,,,,,,,,,,,,,,,,,

Fig. 3 HYD. OIL PUMP & JOINT



1,1,,172428-73310,,MOTOR,1,,,,,,,,,,,,,
2,2,,172168-73330,, "VALVE ASY, SHOCKLESS",1,,,,,,,,,,,,,
4,3,,172168-73350,, CARTRIDGE,2,,,,,,,,,,,,,
5,3,,172168-73360,, "SEAL KIT",1,,,,,,,,,,,,,
6,4,,172171-73330,, SEAL,2,,,,,,,,,,,,,
7,4,,172171-73340,, RING,4,,,,,,,,,,,,,
8,4,,24315-000160,, "O-RING 1B P-16.0",2,,,,,,,,,,,,,
9,4,,24315-000200,, "O-RING 1B P-20.0",2,,,,,,,,,,,,,
10,4,,24315-000250,, "O-RING 1B P-25.0",2,,,,,,,,,,,,,
11,4,,24315-000280,, "O-RING 1B P-28.0",2,,,,,,,,,,,,,
12,3,,172168-73370,, BOLT,6,,,,,,,,,,,,,
13,2,,172428-73320,, "MOTOR ASSY",1,,,,,,,,,,,,,
14,3,,172428-73340,, "SEAL KIT",1,,,,,,,,,,,,,
15,3,,172428-73330,, "GEAR ASSY, PINION",1,,,,,,,,,,,,,

Fig. 4 TURNING MOTOR



1,1,,172442-74100,, "VALVE, CONTROL",1,,,,,,,,,,,,,,,,,,,,,
2,2,,172422-74110,,NUT,6,,,,,,,,,,,,,,,,,,,,,,,,,,,,,
3,2,,172422-74120,, "ROD, TIE",3,,,,,,,,,,,,,,,,,,,,,,,,,
4,2,,172422-74130,, "OUTLET SECTION",1,,,,,,,,,,,,,,,,,,,,,
6,2,,172422-74630,, "SECTION, BUCKET",1,,,,,,,,,,,,,,,,,,,,,
7,3,,172187-74130,, "VALVE, ANTI-VOIDE",1,,,,,,,,,,,,,,,,,,,,,
8,4,,172116-74150,,O-RING,1,,,,,,,,,,,,,,,,,,,,,,,,,,,,,
9,3,,172422-74150,, "SECTION, SPOOL",1,,,,,,,,,,,,,,,,,,,,,
16,4,,172422-74220,,O-RING,2,,,,,,,,,,,,,,,,,,,,,,,,,,,,,
20,4,,24321-000550,, "O-RING 1A G-55.0",1,,,,,,,,,,,,,,,,,,,,,
21,3,,172422-74570,,VALVE,1,,,,,,,,,,,,,,,,,,,,,,,,,,,,,
22,4,,172116-74150,,O-RING,1,,,,,,,,,,,,,,,,,,,,,,,,,,,,,
23,4,,24315-000100,, "O-RING 1B P-10.0",1,,,,,,,,,,,,,,,,,,,,,
24,2,,172442-74110,, "SECTION, BOOM",1,,,,,,,,,,,,,,,,,,,,,
25,3,,172442-74120,, "SECTION, SPOOL",1,,,,,,,,,,,,,,,,,,,,,
32,4,,172422-74220,,O-RING,2,,,,,,,,,,,,,,,,,,,,,,,,,,,,,
37,4,,172422-74280,,O-RING,1,,,,,,,,,,,,,,,,,,,,,,,,,,,,,
44,4,,172116-74430,,O-RING,1,,,,,,,,,,,,,,,,,,,,,,,,,,,,,
46,4,,24315-000110,, "O-RING 1B P-11.0",1,,,,,,,,,,,,,,,,,,,,,
50,4,,172312-74770,,O-RING,1,,,,,,,,,,,,,,,,,,,,,,,,,,,,,
51,4,,24321-000550,, "O-RING 1A G-55.0",1,,,,,,,,,,,,,,,,,,,,,
52,3,,172422-74570,,VALVE,1,,,,,,,,,,,,,,,,,,,,,,,,,,,,,
53,4,,172116-74150,,O-RING,1,,,,,,,,,,,,,,,,,,,,,,,,,,,,,
54,4,,24315-000100,, "O-RING 1B P-10.0",1,,,,,,,,,,,,,,,,,,,,,
55,3,,172422-74580,,VALVE,1,,,,,,,,,,,,,,,,,,,,,,,,,,,,,
56,4,,172116-74150,,O-RING,1,,,,,,,,,,,,,,,,,,,,,,,,,,,,,
57,4,,24315-000100,, "O-RING 1B P-10.0",1,,,,,,,,,,,,,,,,,,,,,
58,2,,172422-74340,, "SECTION, SPOOL",1,,,,,,,,,,,,,,,,,,,,,
65,3,,172614-74290,,WIPER,2,,,,,,,,,,,,,,,,,,,,,,,,,,,,,
69,3,,172422-74370,,O-RING,2,,,,,,,,,,,,,,,,,,,,,,,,,,,,,
71,3,,24321-000550,, "O-RING 1A G-55.0",1,,,,,,,,,,,,,,,,,,,,,
72,2,,172422-74660,, "SECTION, INLET",1,,,,,,,,,,,,,,,,,,,,,
73,3,,172164-74330,, "VALVE 175/25,RELIEF",2,,,,,,,,,,,,,,,,,,,,,
74,4,,172116-74150,,O-RING,2,,,,,,,,,,,,,,,,,,,,,,,,,,,,,
75,3,,172422-74380,, "INLET SECTION",1,,,,,,,,,,,,,,,,,,,,,
79,4,,172422-74220,,O-RING,2,,,,,,,,,,,,,,,,,,,,,,,,,,,,,
83,4,,24321-000550,, "O-RING 1A G-55.0",2,,,,,,,,,,,,,,,,,,,,,
84,2,,172422-74410,, "SECTION, SPOOL",1,,,,,,,,,,,,,,,,,,,,,
90,3,,172614-74290,,WIPER,2,,,,,,,,,,,,,,,,,,,,,,,,,,,,,
93,3,,172422-74370,,O-RING,2,,,,,,,,,,,,,,,,,,,,,,,,,,,,,
95,3,,24321-000550,, "O-RING 1A G-55.0",1,,,,,,,,,,,,,,,,,,,,,
96,2,,172442-74130,, "SECTION, SWING",1,,,,,,,,,,,,,,,,,,,,,
97,3,,172442-74140,, "SECTION, SPOOL",1,,,,,,,,,,,,,,,,,,,,,
106,4,,172614-74290,,WIPER,2,,,,,,,,,,,,,,,,,,,,,,,,,,,,,
109,4,,172422-74370,,O-RING,2,,,,,,,,,,,,,,,,,,,,,,,,,,,,,
111,4,,24321-000550,, "O-RING 1A G-55.0",1,,,,,,,,,,,,,,,,,,,,,
112,3,,172187-74130,, "VALVE, ANTI-VOIDE",1,,,,,,,,,,,,,,,,,,,,,
113,4,,172116-74150,,O-RING,1,,,,,,,,,,,,,,,,,,,,,,,,,,,,,
114,3,,172422-74570,,VALVE,1,,,,,,,,,,,,,,,,,,,,,,,,,,,,,
115,4,,172116-74150,,O-RING,1,,,,,,,,,,,,,,,,,,,,,,,,,,,,,
116,4,,24315-000100,, "O-RING 1B P-10.0",1,,,,,,,,,,,,,,,,,,,,,

Fig. 5 CONTROL VALVE (1/2)

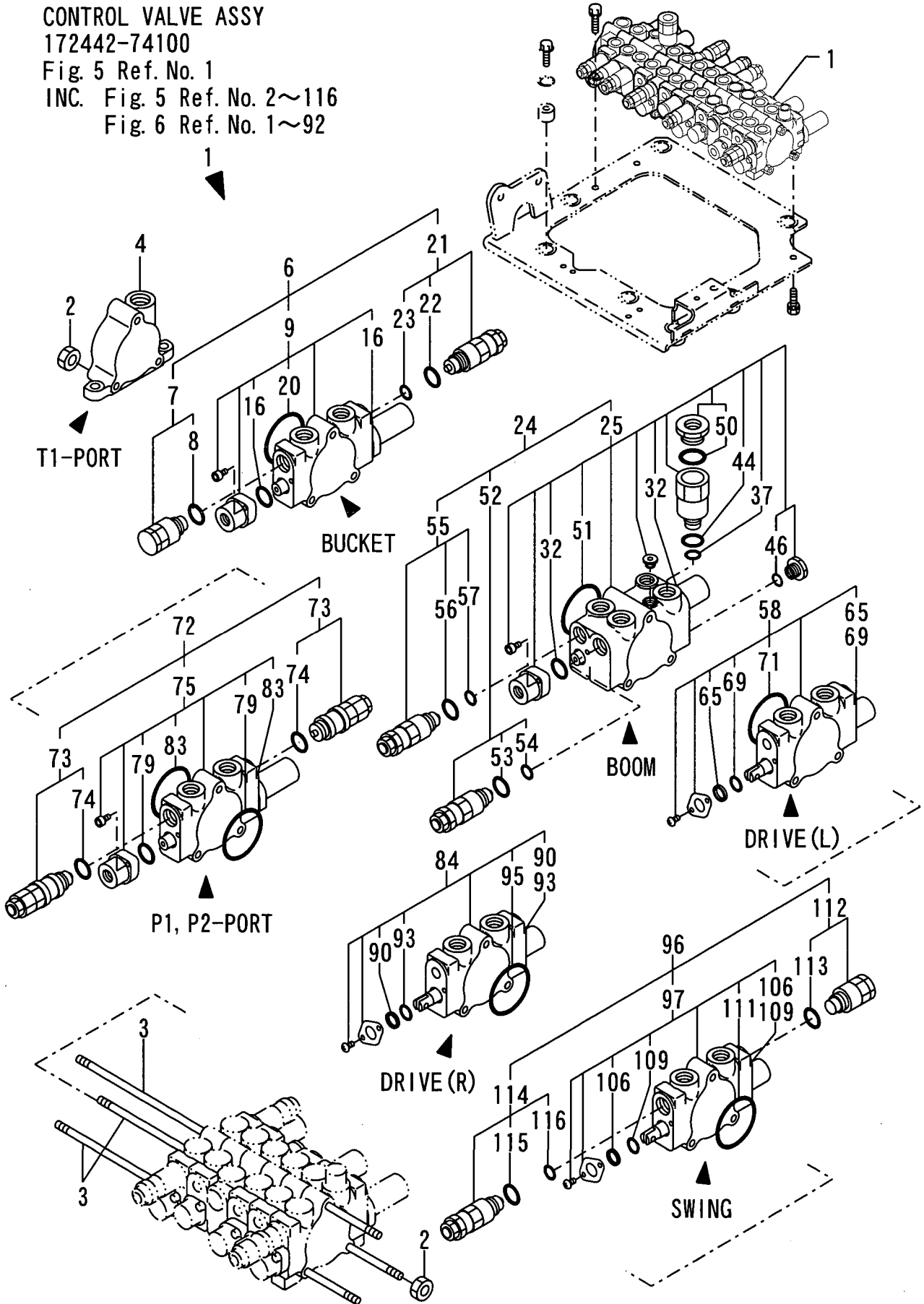
CONTROL VALVE ASSY

172442-74100

Fig. 5 Ref. No. 1

INC. Fig. 5 Ref. No. 2~116

Fig. 6 Ref. No. 1~92

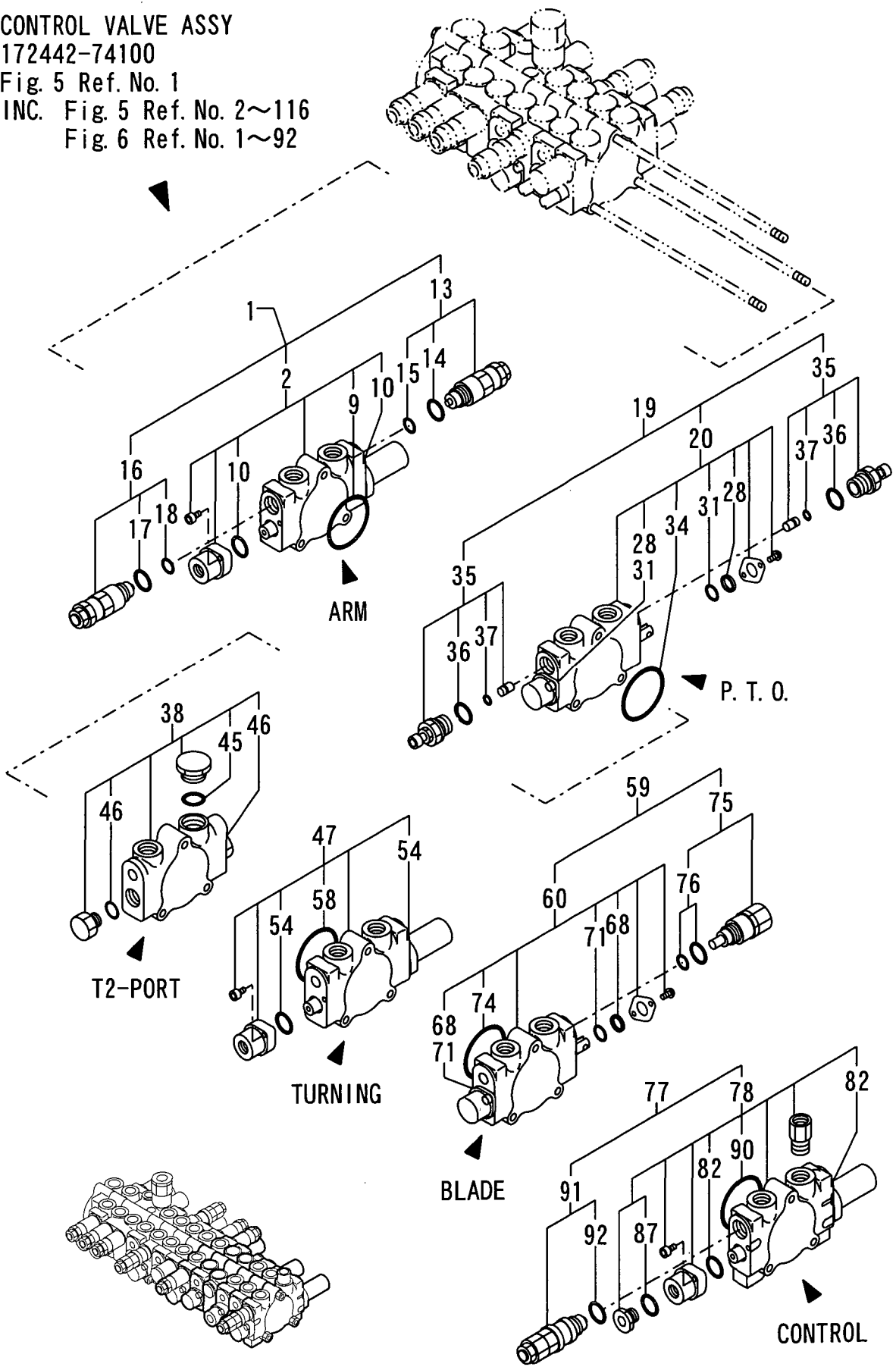


1,2,,172442-74150,, "SECTION, ARM",1,,,,,,,,,,,,,
2,3,,172441-74220,, "SECTION, SPOOL",1,,,,,,,,,,,,,
9,4,,24321-000550,, "O-RING 1A G-55.0",1,,,,,,,,,,,,,
10,4,,172422-74220,, O-RING,2,,,,,,,,,,,,,
13,3,,172422-74570,, VALVE,1,,,,,,,,,,,,,
14,4,,172116-74150,, O-RING,1,,,,,,,,,,,,,
15,4,,24315-000100,, "O-RING 1B P-10.0",1,,,,,,,,,,,,,
16,3,,172422-74580,, VALVE,1,,,,,,,,,,,,,
17,4,,172116-74150,, O-RING,1,,,,,,,,,,,,,
18,4,,24315-000100,, "O-RING 1B P-10.0",1,,,,,,,,,,,,,
19,2,,172441-74230,, "SECTION, P.T.O.",1,,,,,,,,,,,,,
20,3,,172422-74450,, "SECTION, SPOOL",1,,,,,,,,,,,,,
28,4,,172614-74290,, WIPER,2,,,,,,,,,,,,,
31,4,,172422-74370,, O-RING,2,,,,,,,,,,,,,
34,4,,24321-000550,, "O-RING 1A G-55.0",1,,,,,,,,,,,,,
35,3,,172146-74720,, "VALVE ASSY, SHUT-OFF",2,,,,,,,,,,,,,
36,4,,172116-74150,, O-RING,2,,,,,,,,,,,,,
37,4,,24311-240100,, "O-RING 1A P-10A",2,,,,,,,,,,,,,
38,2,,172422-74470,, "SPACER, SECTION",1,,,,,,,,,,,,,
45,3,,24315-000140,, "O-RING 1B P-14.0",1,,,,,,,,,,,,,
46,3,,24315-000180,, "O-RING 1B P-18.0",2,,,,,,,,,,,,,
47,2,,172441-74240,, "SECTION, SPOOL",1,,,,,,,,,,,,,
54,3,,172422-74220,, O-RING,2,,,,,,,,,,,,,
58,3,,24321-000550,, "O-RING 1A G-55.0",1,,,,,,,,,,,,,
59,2,,172422-74700,, "SECTION, BLADE",1,,,,,,,,,,,,,
60,3,,172422-74520,, "SECTION, SPOOL",1,,,,,,,,,,,,,
68,4,,172614-74290,, WIPER,2,,,,,,,,,,,,,
71,4,,172422-74370,, O-RING,2,,,,,,,,,,,,,
74,4,,24321-000550,, "O-RING 1A G-55.0",1,,,,,,,,,,,,,
75,3,,172422-74590,, VALVE,1,,,,,,,,,,,,,
76,4,,172422-74620,, "SEAL KIT",1,,,,,,,,,,,,,
77,2,,172422-74710,, "SECTION, CONTROL",1,,,,,,,,,,,,,
78,3,,172422-74530,, "SECTION, SPOOL",1,,,,,,,,,,,,,
82,4,,172422-74220,, O-RING,2,,,,,,,,,,,,,
87,4,,24315-000110,, "O-RING 1B P-11.0",1,,,,,,,,,,,,,
90,4,,24321-000550,, "O-RING 1A G-55.0",1,,,,,,,,,,,,,
91,3,,172164-74330,, "VALVE 175/25,RELIEF",1,,,,,,,,,,,,,
92,4,,172116-74150,, O-RING,1,,,,,,,,,,,,,

Fig. 6 CONTROL VALVE (2/2)

CONTROL VALVE ASSY
172442-74100

Fig. 5 Ref. No. 1
INC. Fig. 5 Ref. No. 2~116
Fig. 6 Ref. No. 1~92



Y00S3690,"Construction equipment",Excavator,B
[Info]
PcNo=Y00S3690
PcName=B30V-1(EP)(B6050)
JpnUse=0
JpnSec1=
JpnSec2=
JpnSec3=
JpnPreface=0
EngUse=1
EngSec1=CONSTRUCTION
EngSec2=EXCAVATOR (B)
EngSec3=B
EngPreface=1

0,Y00S3690
1,001,, "VEHICLE B30V-1 (AY) "
2,1,, "ROLLER & ADJUST",B30V-1 (EP) , , ,
2,2,, CRAWLER,B30V-1 (EP) , , ,
2,3,, "HYD.OIL PUMP & JOINT",B30V-1 (EP) , , ,
2,4,, "TURNING MOTOR",B30V-1 (EP) , , ,
2,5,, "CONTOROL VALVE(1/2)",B30V-1 (EP) , , ,
2,6,, "CONTOROL VALVE(2/2)",B30V-1 (EP) , , ,