

# P R E F A C E

1. This Parts Catalog carries Yanmar crawler back-hoe B3Σ (B3-3, B3-3A).

2. Parts catalog history

	Parts catalog NO.	Published	Remarks
1st edition	000Y00K3610	1998/10	Disuse old edition
1st revised	000Y00K3611	1999/11	Disuse old edition
Last revised	000Y00K3612	2003/8	

3. Model name

SECTION	Column	Model name	M/#	Manufactured
I (Vehicle)	(A)	B3-3 P	30501~	1998/6~
	(B)	B3-3A P	36001~	2000/5~
	(C)	B3-3A C	36849~	2002/12~
II (Engine)	(A)	3TNE82A-BX	34673~	1998/5~
	(B)	3TNE82A-EBX	35001~	2000/2~

(Note) C:Cabin spec. P:Canopy spec.

4. Your understanding is asking that this parts catalog is not a technical data manual setting forth as servicing procedures, This parts catalog is using simplified illustration. Be sure to use Yanmar Genuine Parts in your maintenance servicing of Yanmar products. Be careful not to use the simple parts available in the market, otherwise their use in repairing causes such as an early breakage, for instance.

## How to read this Parts Catalog.

1. Parts mentioned in Parts Catalog may not necessarily be standard equipping parts
2. Parts change may be made without prior notice.
3. Form of this Parts Catalog.

Y00F2161 29. FUEL INJECTION PUMP (W/BOOST)													
①	②	REF.	LEV.	PARTS No.	DESCRIPTION	QTY						I	R
						(A)	(B)	(C)	(D)	(E)	(F)		
		1		729595-51390	FUEL INJECTION PUMP	1	1	1	1	1			
		1-1		729595-51391	FUEL INJECTION PUMP	1	1	1	1	1			
				(A=E00185) (B=E00200)									
		3		26022-060162	SCREW M 6X16	9	9	9	9	9			
		1 3-1		26022-060162	SCREW M 6X16	4	4	4	4	4			K
				(A=E00156) (B=E00156) (C=E00156) (D=E00156) (E=E00156)									
		4		129470-51040	CAMSHFT	9	9	9	9	9			
		5		122710-51050	BEARING. ROLLER	9	9	9	9	9			
		6		129470-51060	RETAINER	9	9	9	9	9			

⑥	Remarks
(1)	BOOST COMPEMSATOR TYPE. OPTIONAL PART. TO E#00155 (4JH-DT, 4JH-DTZ)

### ①Ref. No,

The Ref. No, in the list may not be in accordance with the Ref. No, on illustration.

(Ex.) illustration No, List heed No,  
 1 1 (Before change) → 1-1 (After change)

When interchangeable symbol N, and k, illustrations for the new parts are sometimes omitted.

### ②Lev. (Level)

Indication and Meaning of Level

Level Hereunder is given the relation among the number (1,2,3) the level and the nominal parent-child relationship.

1 ---- Parent parts (Assembly parts)

2 ---- Child parts included in " 1 " (Semi-Assembly parts, component parts of Assembly parts.)

3 ---- Child parts included in " 2 ", Grand-child parts in terms of " 1 ".

(Component parts of Semi-Assembly parts.)

Note) A parts of non-sale parts are illustrated but not listed.

### ③Change Mark

Change Mark " I " is given to the part for which a design change was made at this time.

The design change was not shown in the last published Parts Catalog.

### ④Interchangeability Mark

In the case where a part change took place, one of the following interchangeability marks is indicated for that part

Symbol	Interchangeability	Contents note
N	Old ←  → New	New Part is interchangeable for Old Part but not interchangeable conversely.
Q	Old ←  → New	New Part is not interchangeable for Old Part but interchangeable conversely.
R	Old ←  → New	New Part is interchangeable for Old Part and vice versa.
S	Old ←  → New	New Part is not interchangeable for Old Part and vice versa.
W		Part newly added.
Z		Part discontinued.
F		Not interchangeable single part but interchangeable by set of the related parts.
K		Changed only in quantity used.

### ⑤Effective Machine No,

When a part is changed, Effective Machine No, of a Model for which the part is applicable is indication

In each column of (A)-(F).

Product Symbol	Product No,	Product Symbol	Product No,
C	Clutch No, Compressor No,	M	Machine No,
D	Drive No,	T	Tractor No,
E	Engine No,	Note 1)※	Date

Note 1) Date may follow the symbol in some cases.(Ex.) ※1996.01

Note 2) As far as engine models shown by " XXX " are concerned, the modification of the parts could not be Predicted or the engine models themselves could not be identified.

Note 3) (A=E/#00185) means that the design change on the part has been effective for the model at the, column (A) (in the case, for 4JH-DT) on and from E/(Engine Serial Number) 00185

### ⑥Remarks Mark

Figures or alphabets (Symbols) are entered in the remark column.

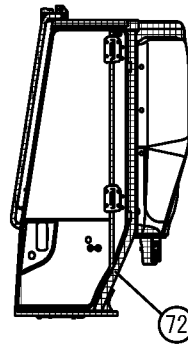
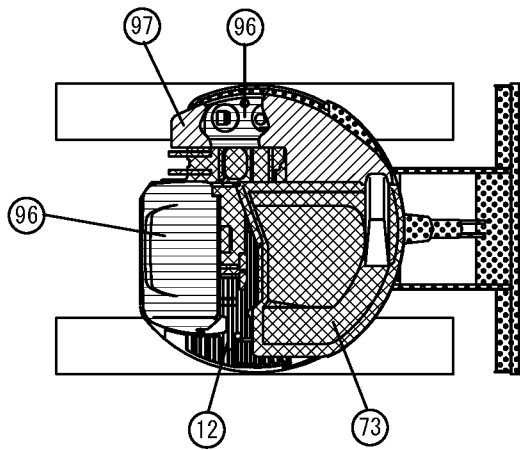
The comments (remarks) on the pertinent parts are indicated in the lower part of the list by the same symbols a those stated above.

# SPECIFICATION

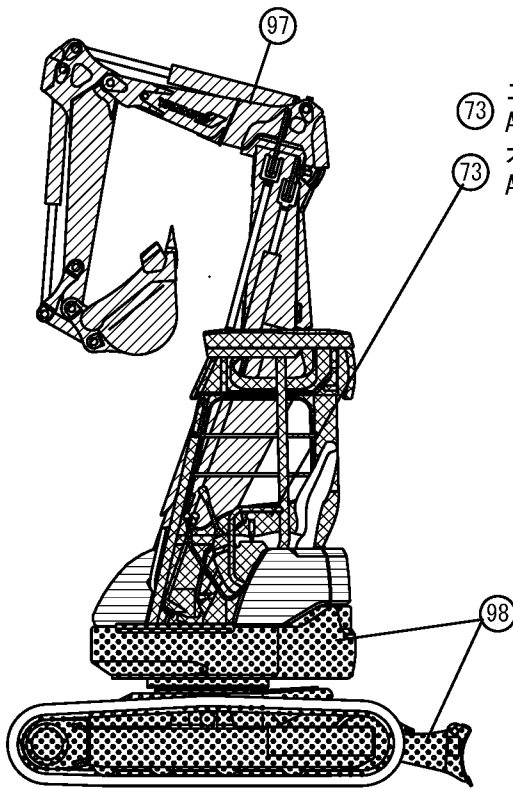
Name		YANMAR CRAWLER BACKHOE		
Model		B 3 $\Sigma$ (B3-3)	B 3 $\Sigma$ (B3-3A)	
Item		Canopy	Canopy	Cabin
Engine	Model	Vertical 3-cylinder water-cooler diesel		
	Name	3TNE-82A-BX	3TNE-82A-EBX	
Dimensions	Transport length	mm	4150	4150
	Transport width	mm	1550	1550
	Transport height	mm	2430	2500
Bucket	Std. bucket capacity	m <sup>3</sup>	0.08	
	Std. bucket width (outside)	mm	490(W/Side cutter)	
Operations scope	Max. digging depth	mm	3000(Blade 3200)	
	Max. cutting height	mm	5250	
	Max. dump height	mm	3840	
	Max. reach at ground level	mm	4550	
	Min. swing radius	mm	850	
Performance	Max. digging force (Std. bucket)	kN (kgf)	27.5 (2800)	
	Travel speed	km/h	4.7/2.4 [4.8/2.6]	
	Average ground pressure	kPa (kgf/cm <sup>2</sup> )	27.5 [26.5] (0.28 [0.27] )	
Crawler	Track shoe type		Iron crawler [Rubber crawler]	
	Track shoe width (Std.)	mm	300	
Blade	Width x height	mm	1550 x 345	
	Capacity	m <sup>3</sup>	0.19	
	Machine mass	kg	3060 [2980]	3150 [3070]
	Battery		SY110-S6/12V, 36Ah	

[ ] shows to the specification of rubber crawler.

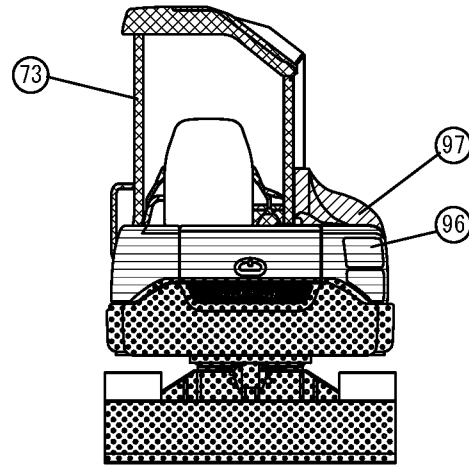
# 本機塗装色 VEHICLE PAINTED COLOR









キャビン  
CABIN

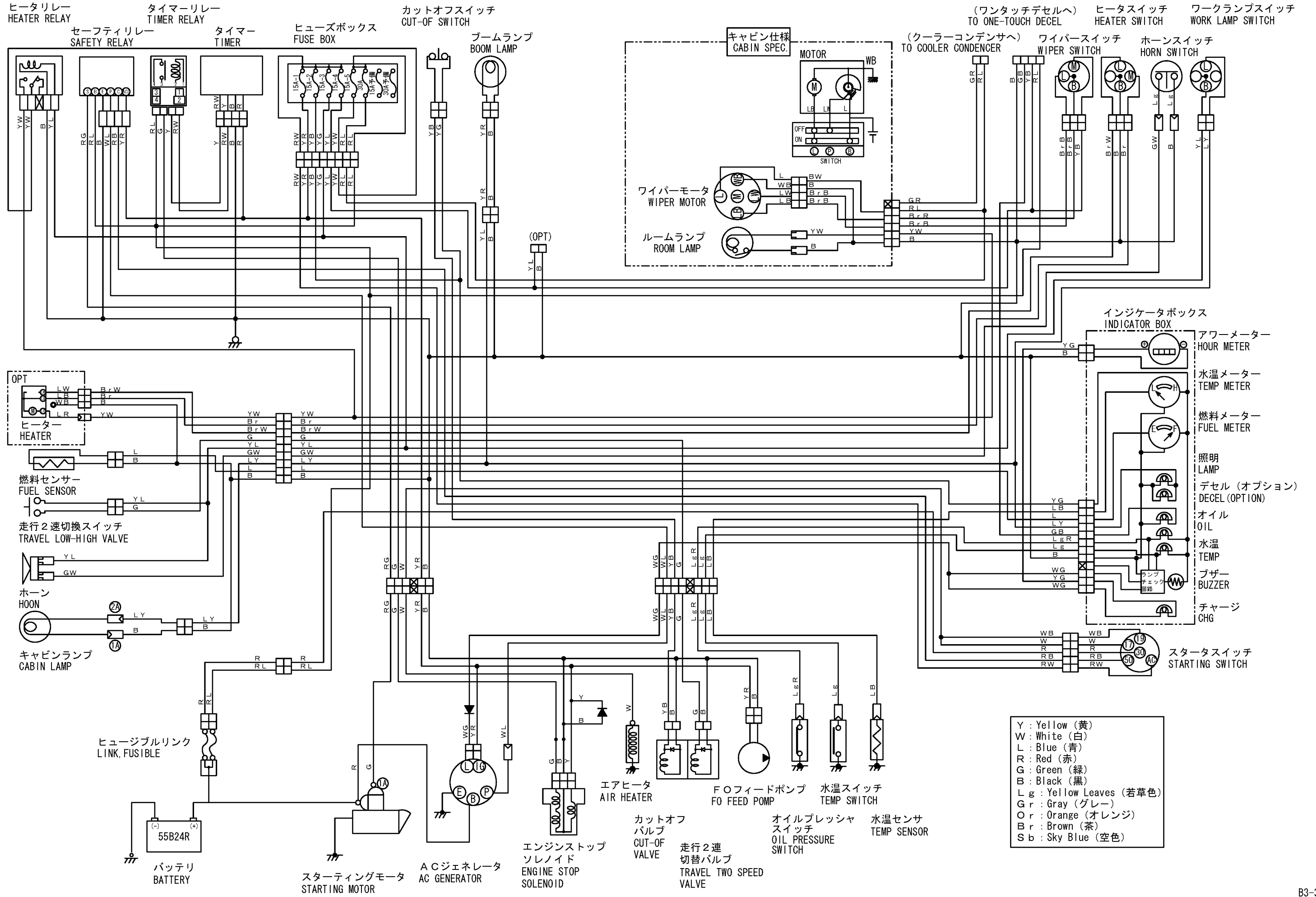


⑦③ エンジン廻り及びフレーム内装部品  
AROUND ENGINE & INSIDE OF FRAME  
オペ席廻り及び操作系部品  
AROUND SEAT & OPERATION



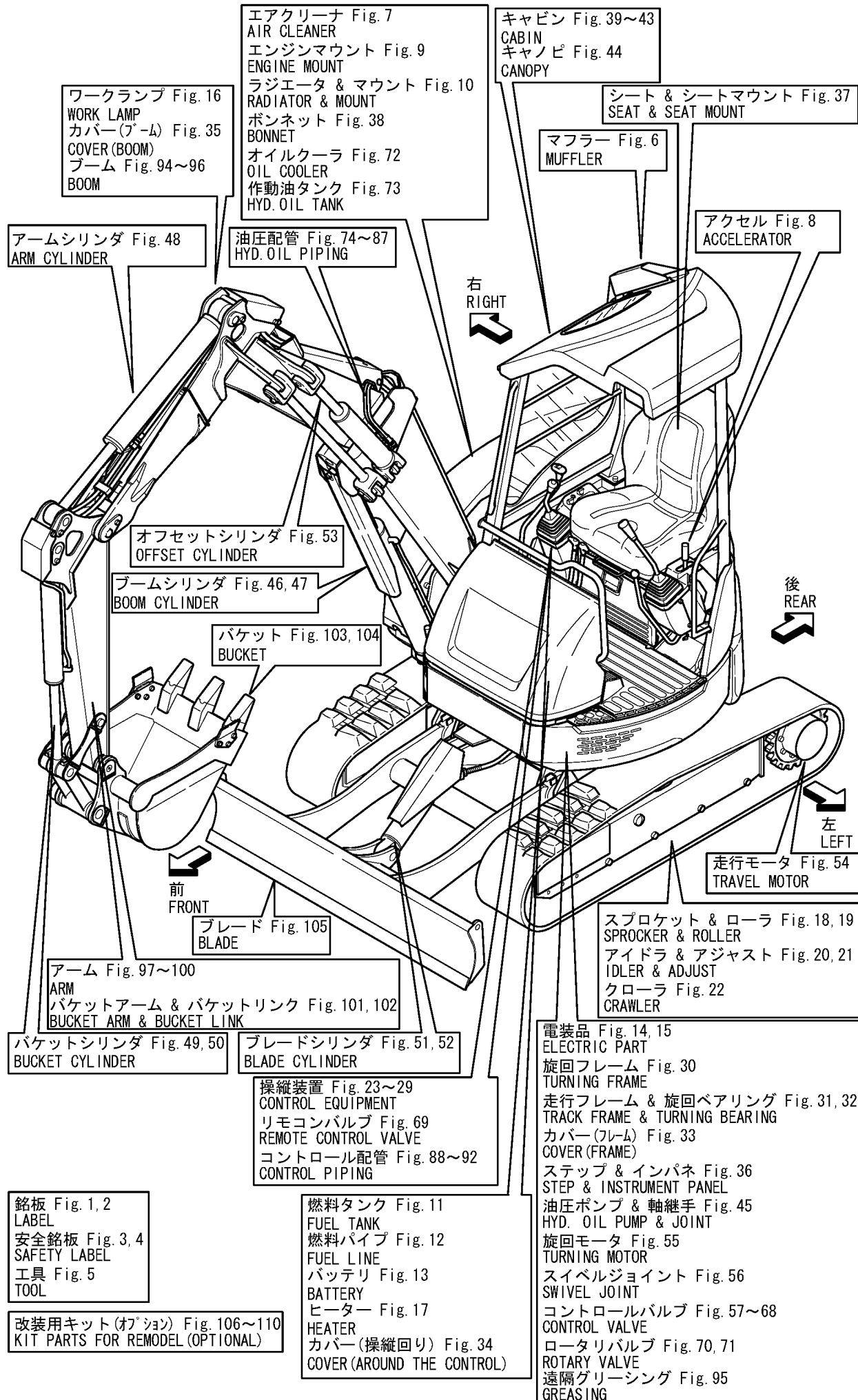
色区分 Color Code	表示 Desc- ription	塗装色 Painted Color	マンセル記号 Munsel No.	塗料部品番号 (Paint Part No.)		
				16L缶 (16L Can)	4L缶 (4L Can)	スプレー (SPRAY)
97	 ヤンマーピーコックグリーン YANMAR Peacock Green	2. 99B65. 27/9. 28	981101-09597	977620-40970	977620-30971	
96	 ヤンマーシトラスグリーン YANMAR Citrus Green	4. 97GY8. 35/6. 87	981101-09599	977620-40990	977620-30991	
98	 ヤンマーオーシャングリーン YANMAR Ocean Green	7. 53GY3. 03/7. 57	981101-09598	977620-40980	977620-30981	
72	 ヤンマーダークオリーブグレー YANMAR Dark Olive Gray	7. 21Y2. 92/0. 79	-----	977620-40720	TOR-90460003	
73	 ヤンマーワームグレー YANMAR Warm Gray	5. 52Y4. 91/1. 09	-----	-----	TOR-90450003	
12	 ヤンマーブラック YANMAR Black	4. 90PB0. 08/0. 41	-----	TOR-91220001	TOR-90220003	

# 配線図 WIRING DIAGRAM



Y	: Yellow (黄)
W	: White (白)
L	: Blue (青)
R	: Red (赤)
G	: Green (緑)
B	: Black (黒)
Lg	: Yellow Leaves (若草色)
Gr	: Gray (グレー)
Or	: Orange (オレンジ)
Br	: Brown (茶)
Sb	: Sky Blue (空色)

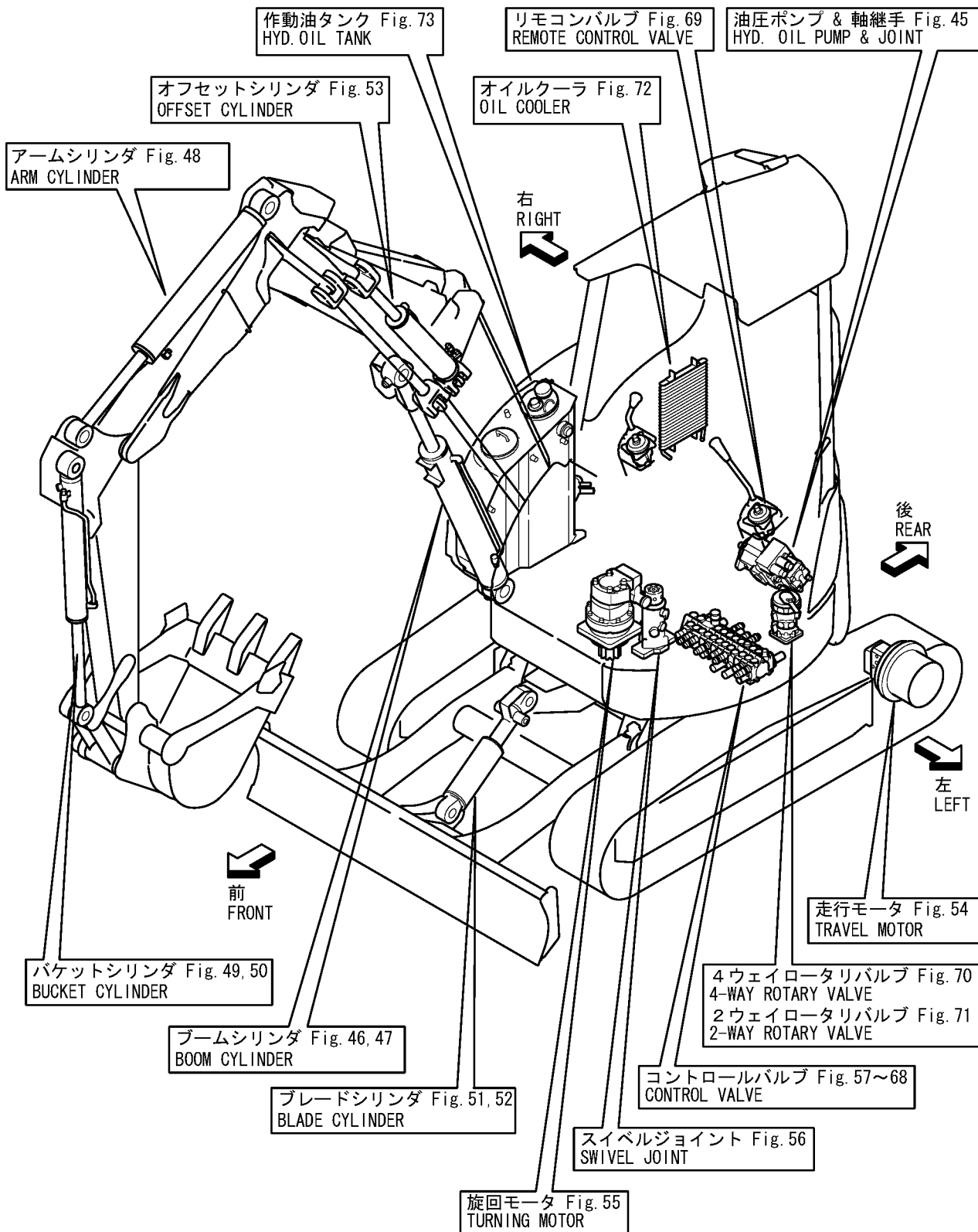
絵目次 (1) . . . . . 主要部分  
 PICTURESQUE INDEX (1) . . . MAIN PARTS



# 絵目次 ( 2 ) . . . . . 油圧関係 PICTURESQUE INDEX (2) . . . . . HYDRAULIC SECTION

コントロール配管 Fig. 88~92  
CONTROL PIPING

油圧配管 Fig. 74~87  
HYD. OIL PIPING



絵目次 (3) . . . . . 項目別  
PICTURESQUE INDEX (3) . . . FIGURE

Fig. 1 銘板 (キャビン)  
LABEL (CABIN)

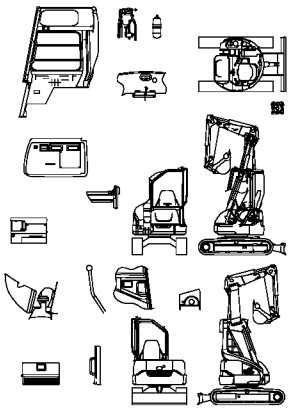


Fig. 5 工具  
TOOL

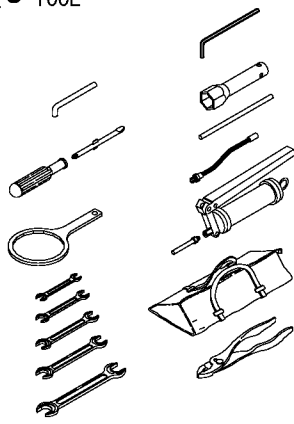


Fig. 9 エンジンマウント  
ENGINE MOUNT

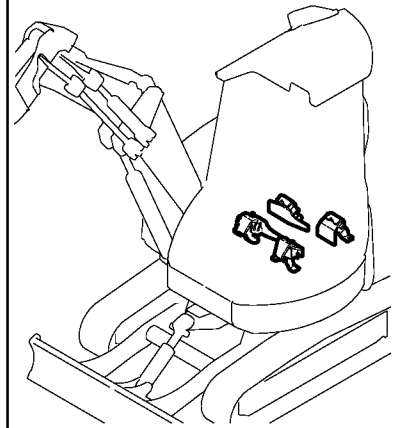


Fig. 2 銘板 (キャノピ)  
LABEL (CANOPY)

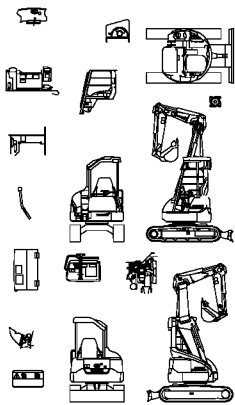


Fig. 6 マフラー  
MUFFLER

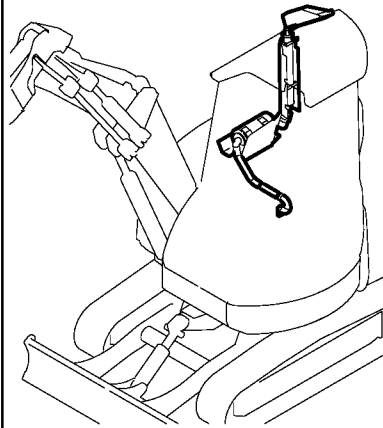


Fig. 10 ラジエータ & マウント  
RADIATOR & MOUNT

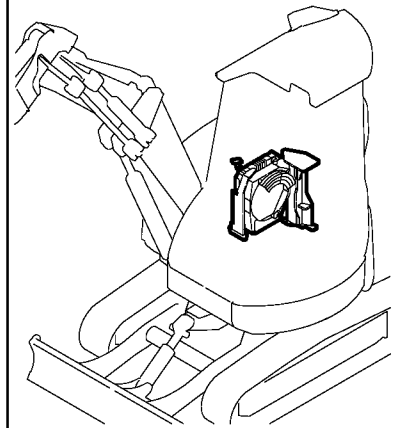


Fig. 3 安全銘板 (キャビン)  
SAFETY LABEL (CABIN)

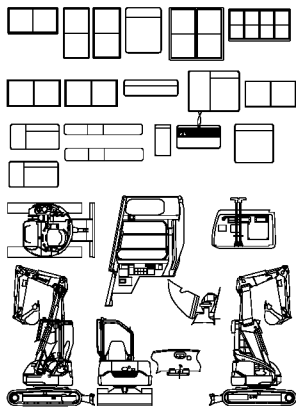


Fig. 7 エアクリーナー  
AIR CLEANER

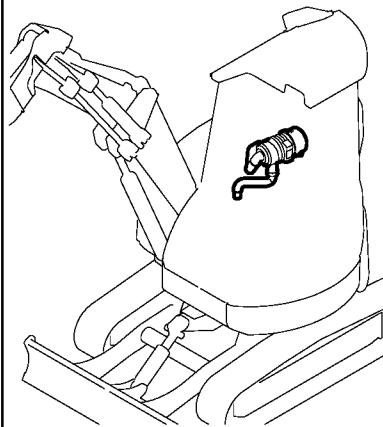


Fig. 11 燃料タンク  
FUEL TANK

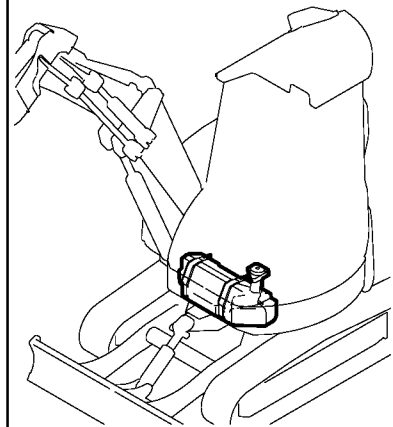


Fig. 4 安全銘板 (キャノピ)  
SAFETY LABEL (CANOPY)

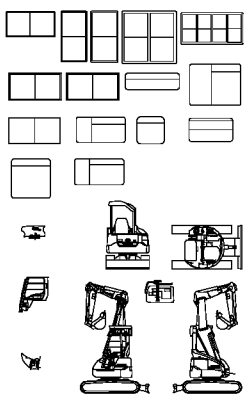


Fig. 8 アクセルレバー  
ACCELERATOR LEVER

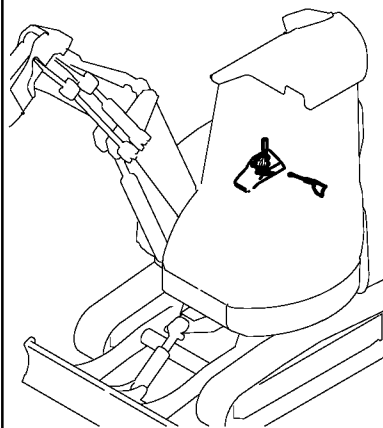
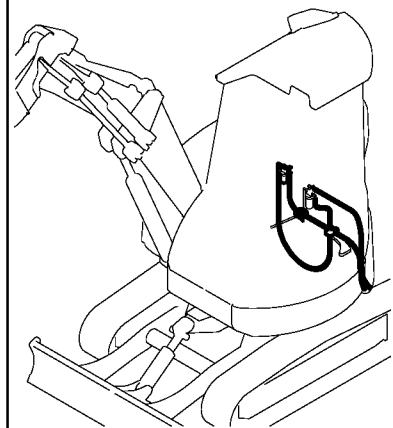
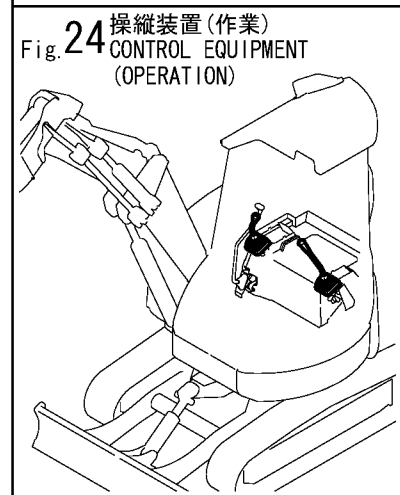
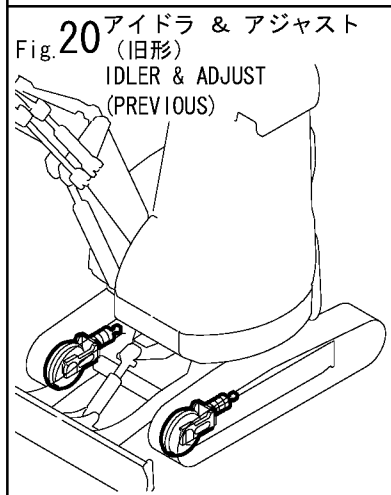
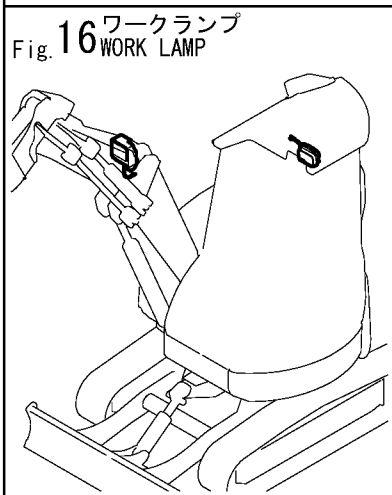
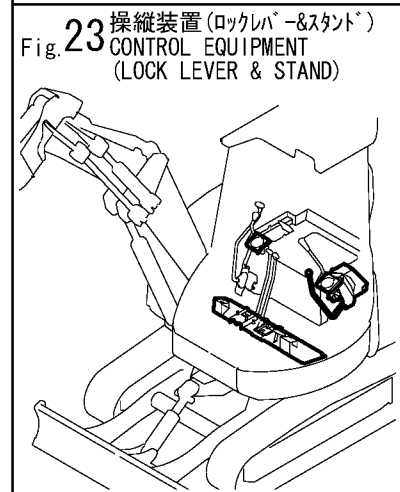
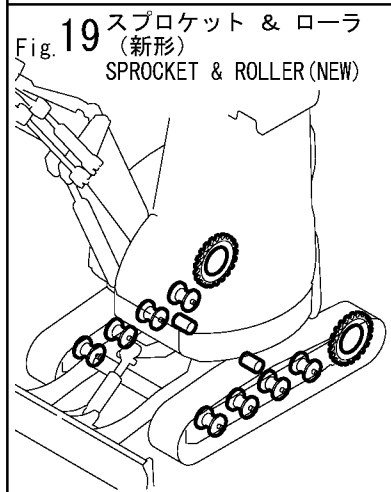
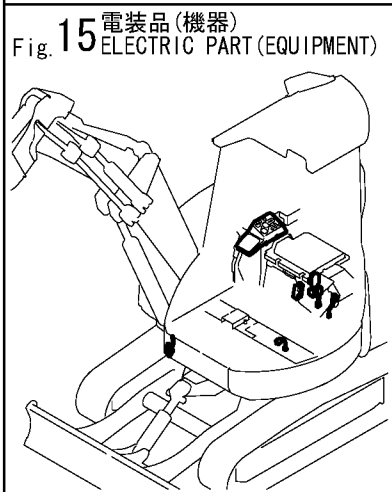
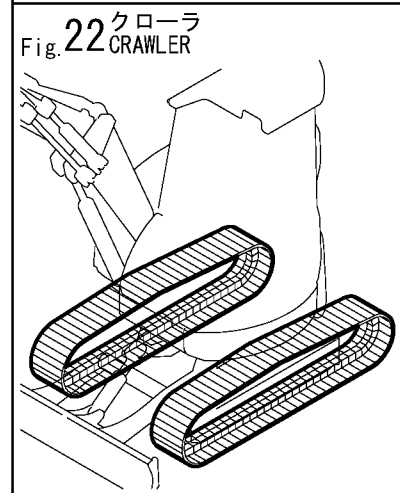
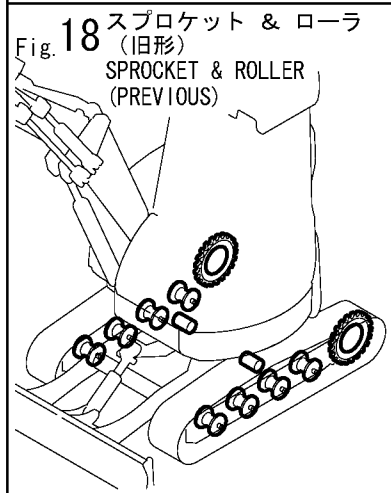
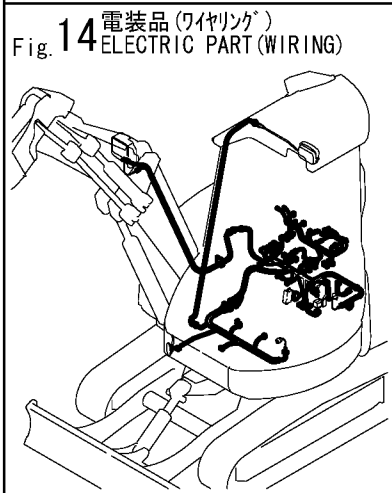
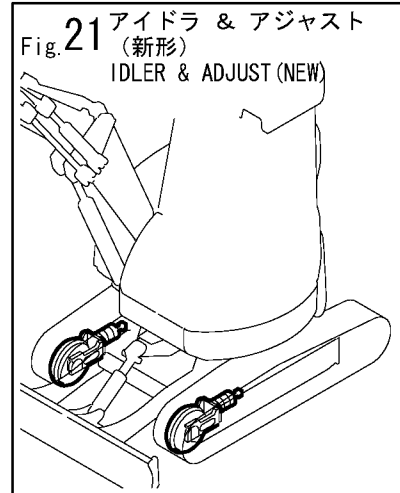
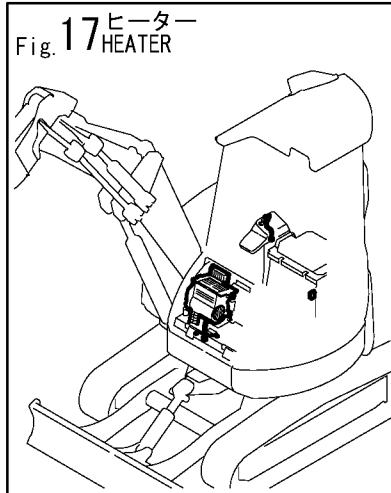
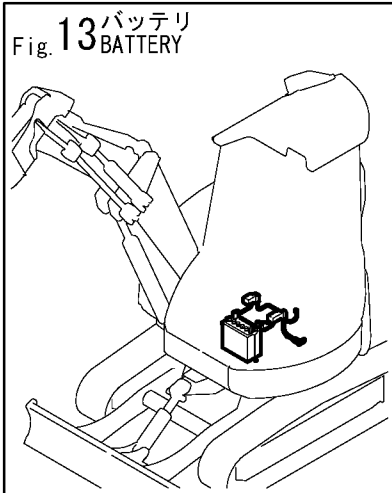


Fig. 12 燃料パイプ  
FUEL LINE

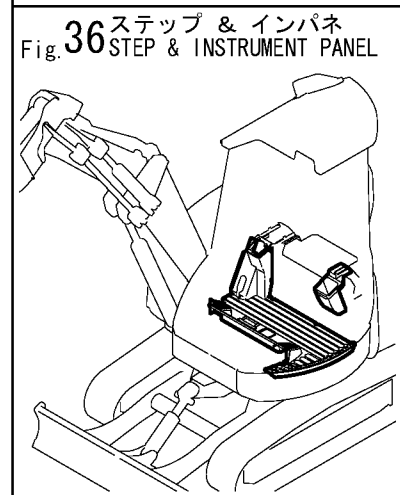
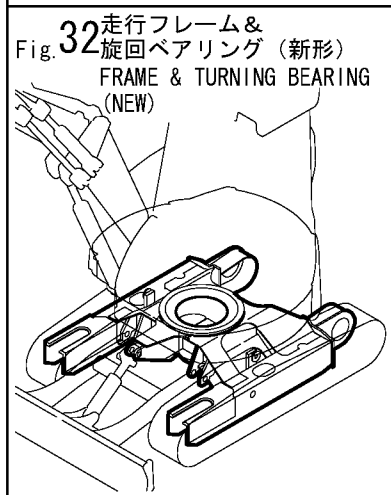
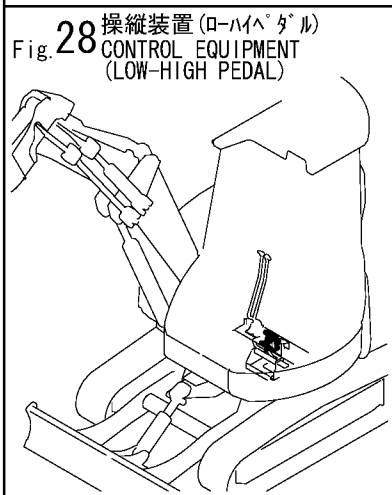
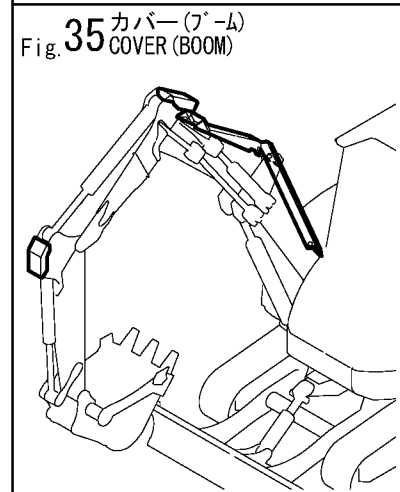
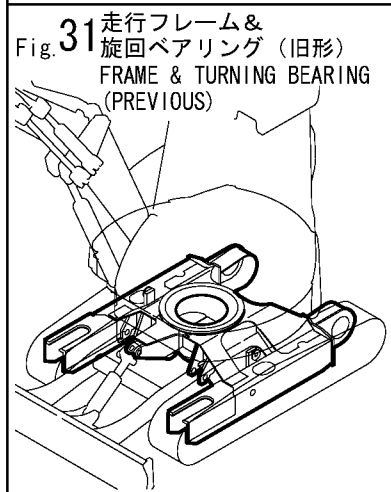
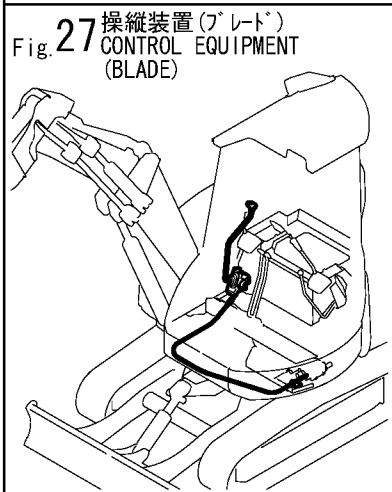
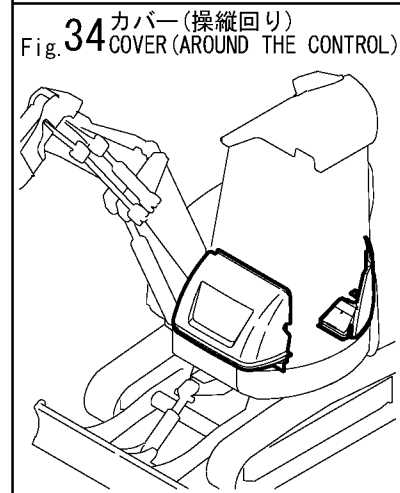
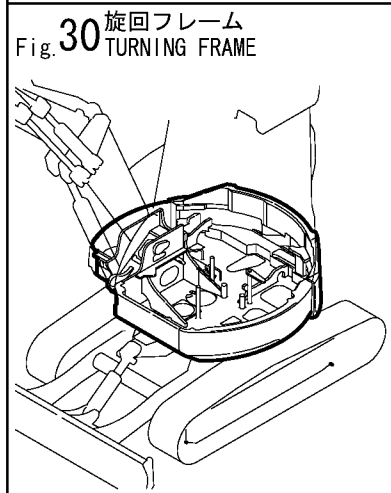
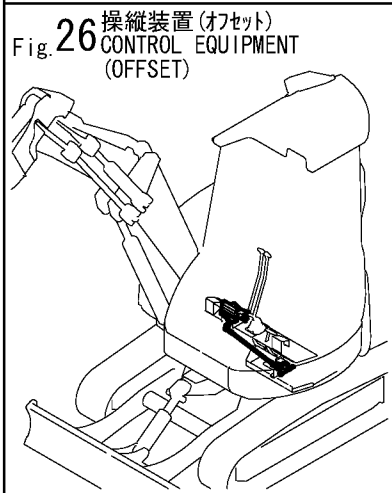
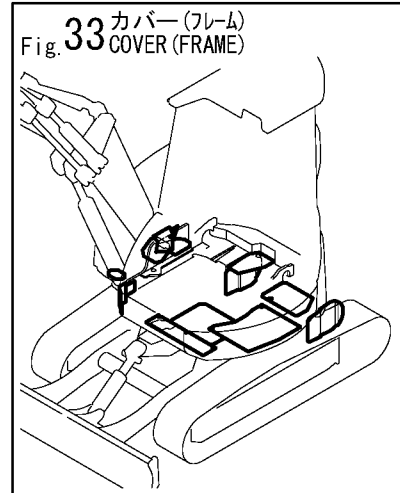
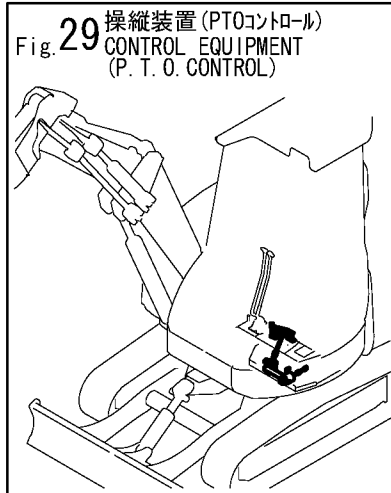
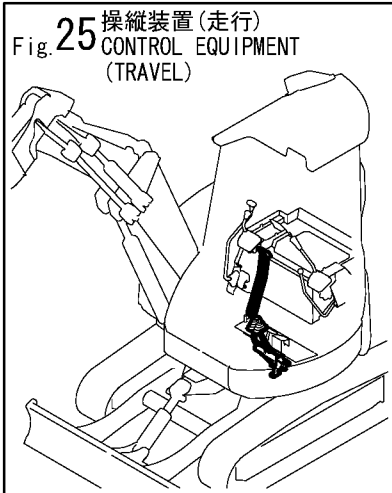




絵目次 (3) . . . . . 項目別  
PICTURESQUE INDEX (3) . . . FIGURE



絵目次 (3) . . . . . 項目別  
PICTURESQUE INDEX (3) . . . FIGURE



絵目次 (3) . . . . . 項目別  
PICTURESQUE INDEX (3) . . . FIGURE

Fig. 37 シート & シートマウント  
SEAT & SEAT MOUNT

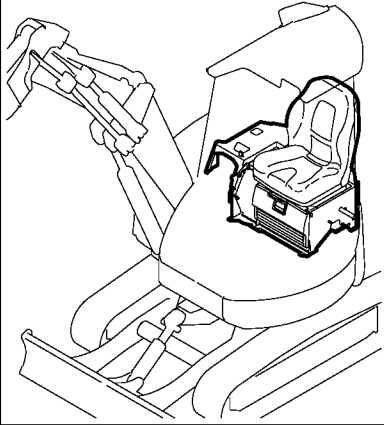


Fig. 41 キャビン (ウインドウ)  
CABIN (WINDOW)

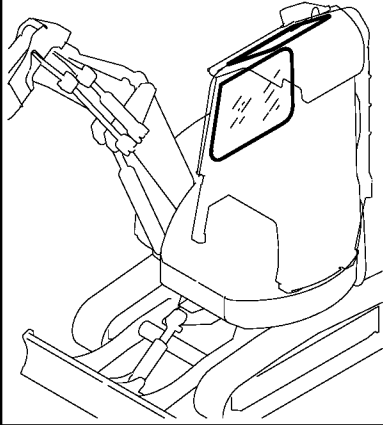


Fig. 45 油圧ポンプ & 軸継手  
HYD. OIL PUMP & JOINT

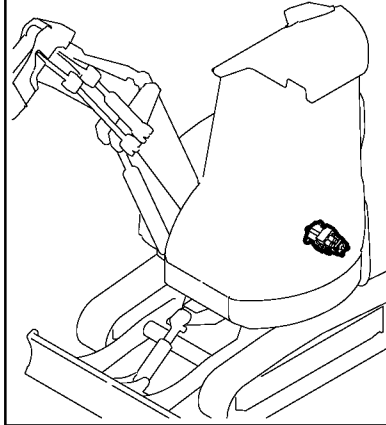


Fig. 38 ボンネット  
BONNET

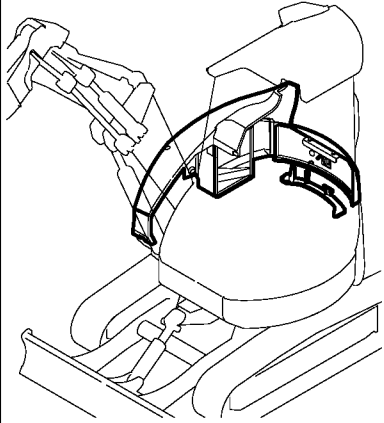


Fig. 42 キャビン (ドア)  
CABIN (DOOR)

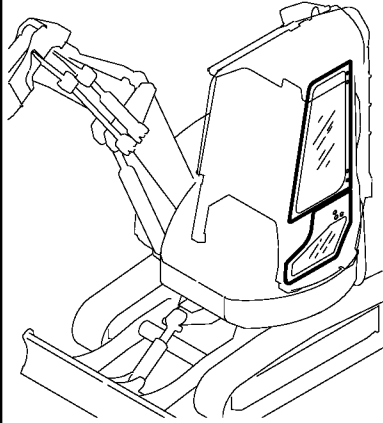


Fig. 46 ブームシリンダ (キャビン)  
BOOM CYLINDER (CABIN)

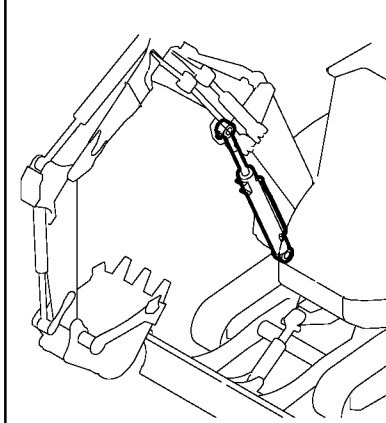


Fig. 39 キャビン (フレーム)  
CANOPY (FRAME)

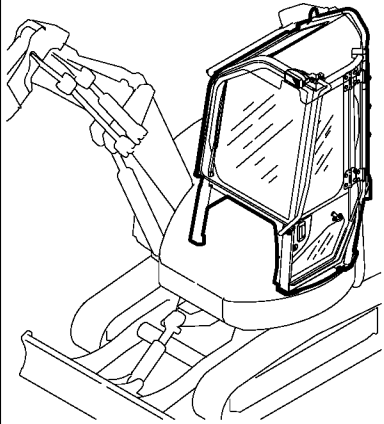


Fig. 43 キャビン (アクセサリ)  
CABIN (ACCESSORY)

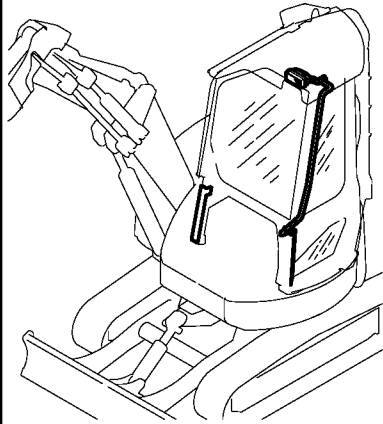


Fig. 47 ブームシリンダ (キャノピー)  
BOOM CYLINDER (CANOPY)

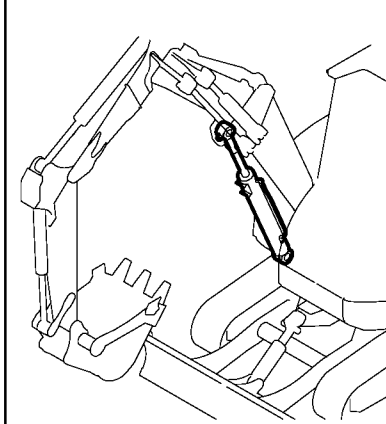


Fig. 40 キャビン (フロントウインドウ)  
CABIN (FRONT WINDOW)

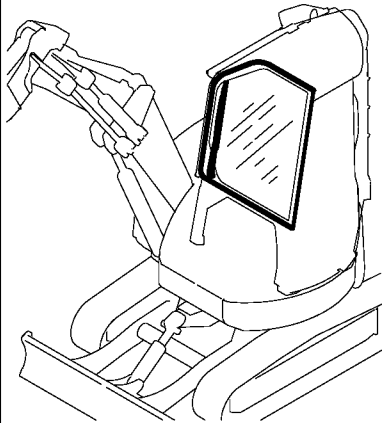


Fig. 44 キャノピー  
CANOPY

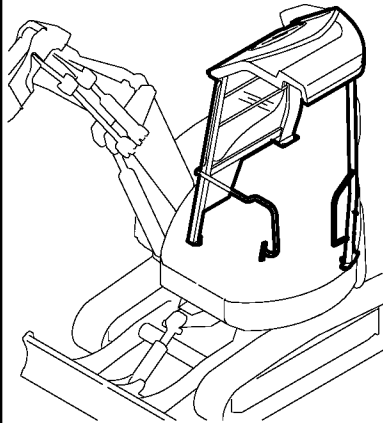
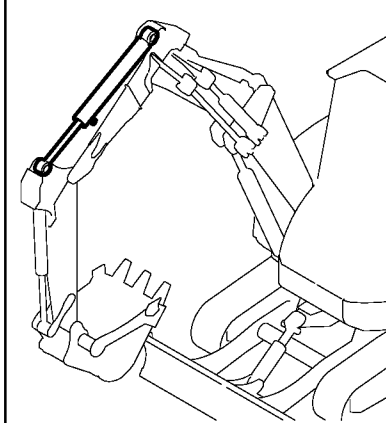
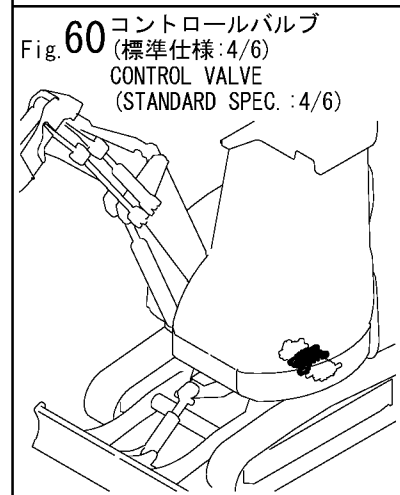
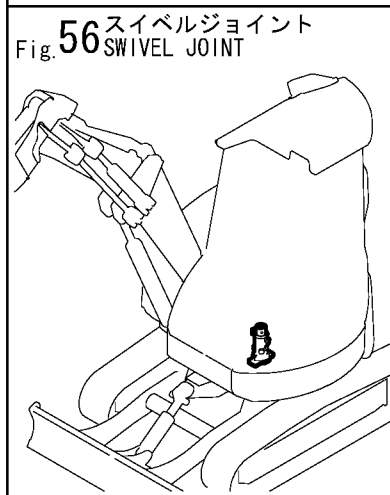
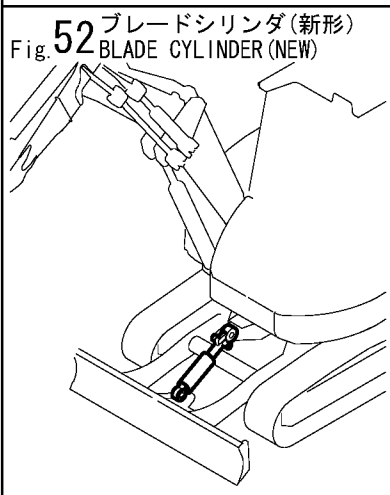
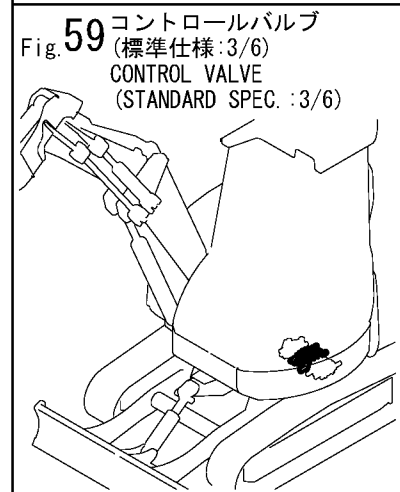
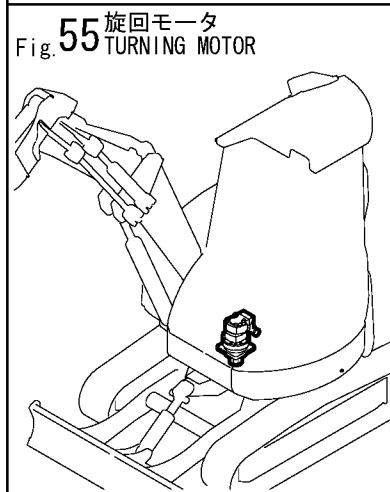
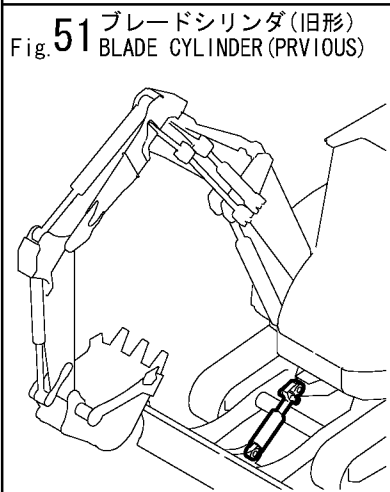
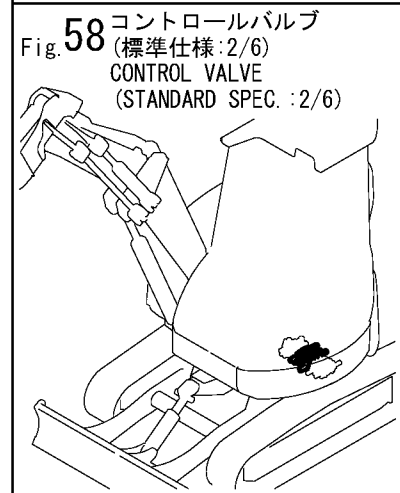
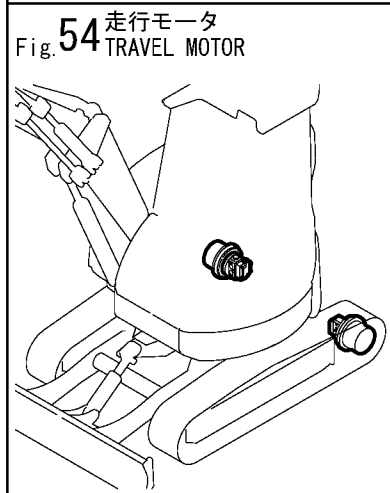
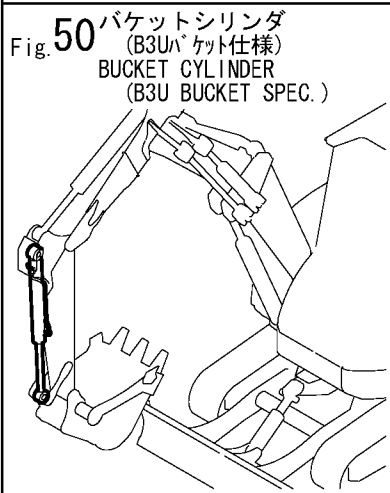
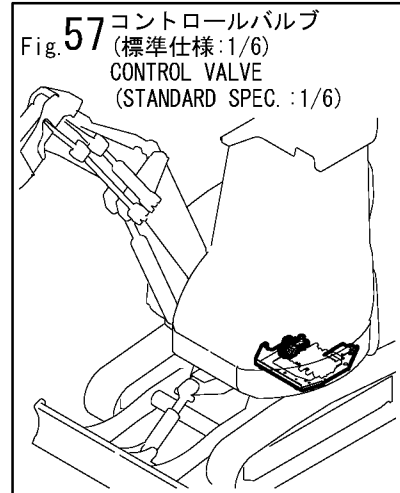
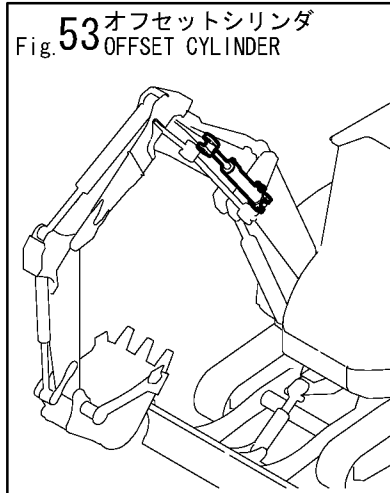
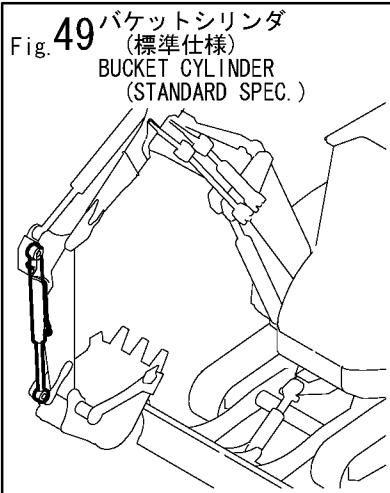


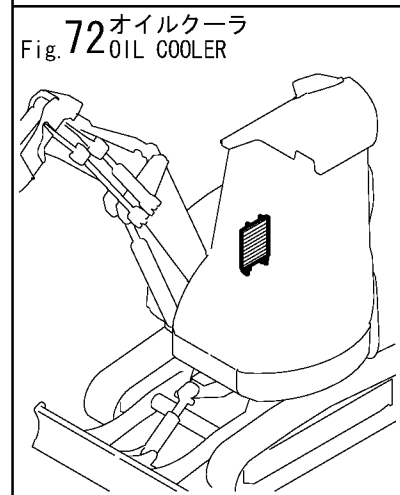
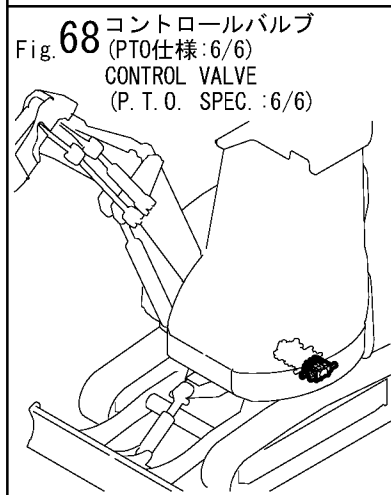
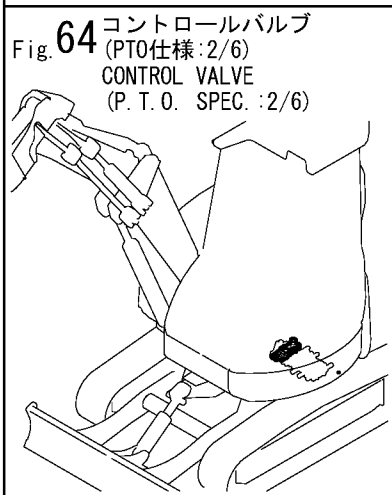
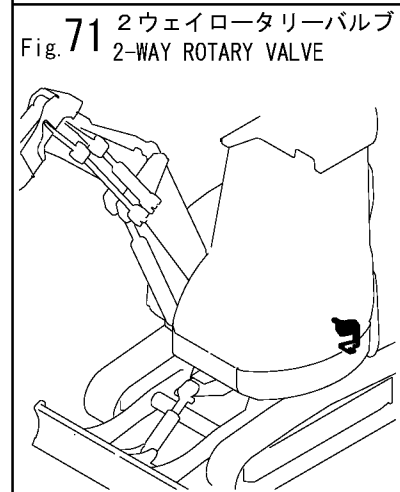
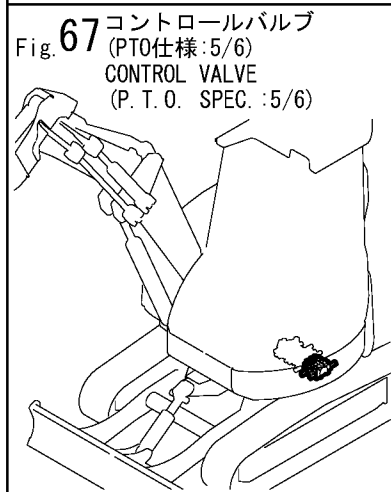
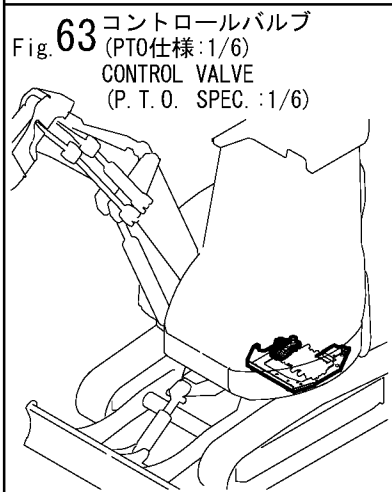
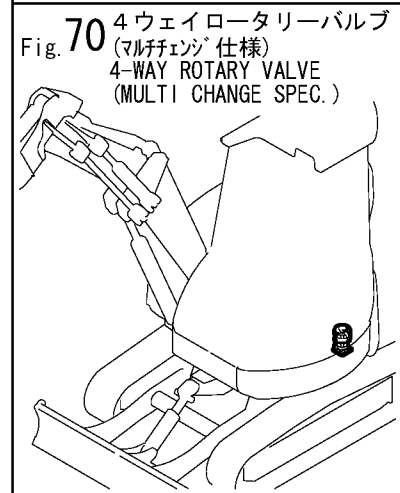
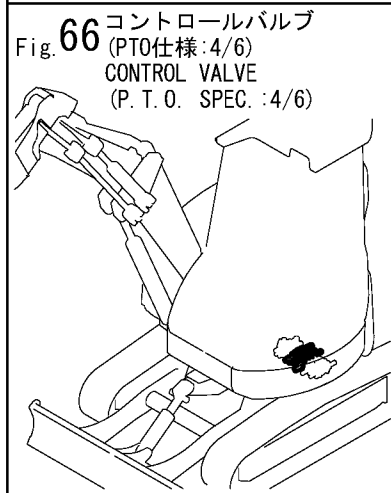
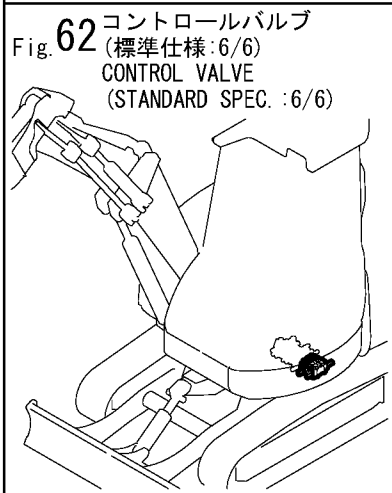
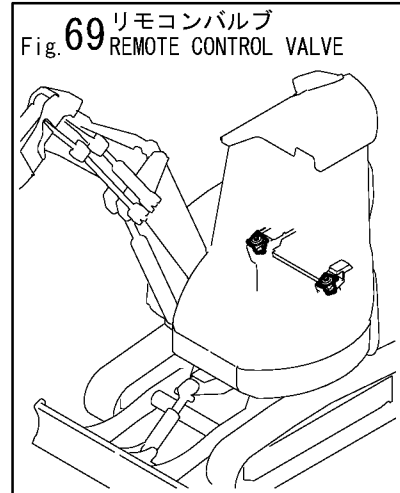
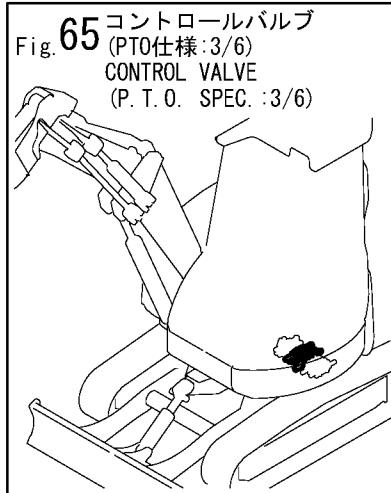
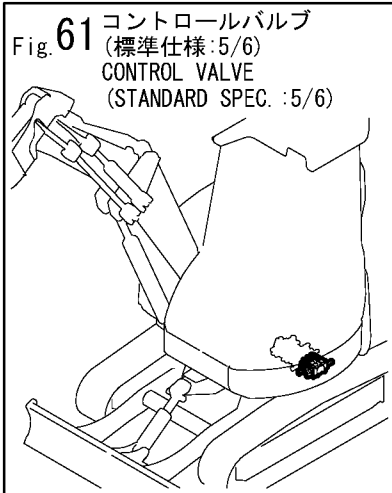
Fig. 48 アームシリンダ  
ARM CYLINDER



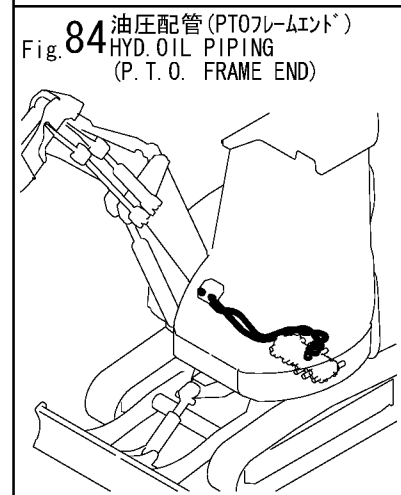
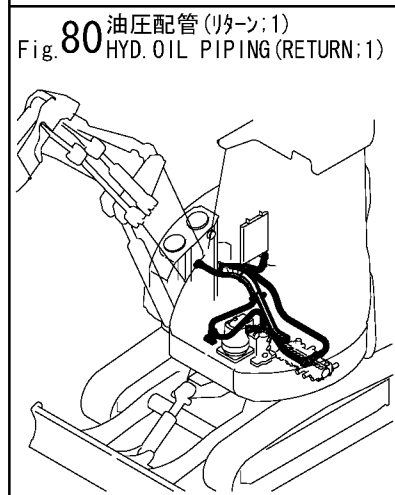
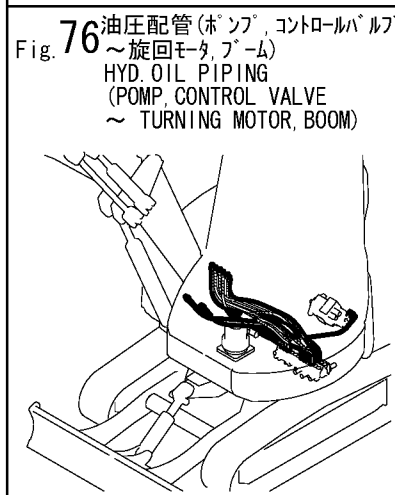
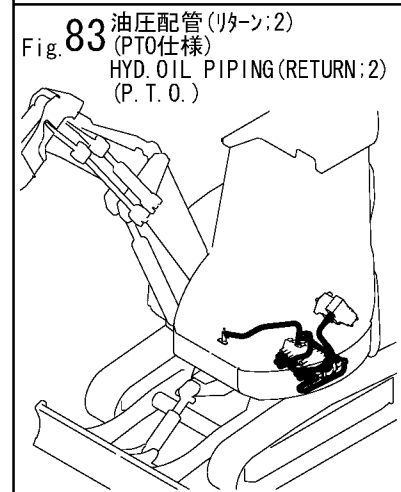
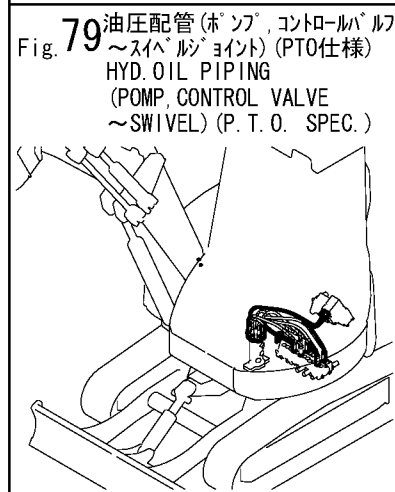
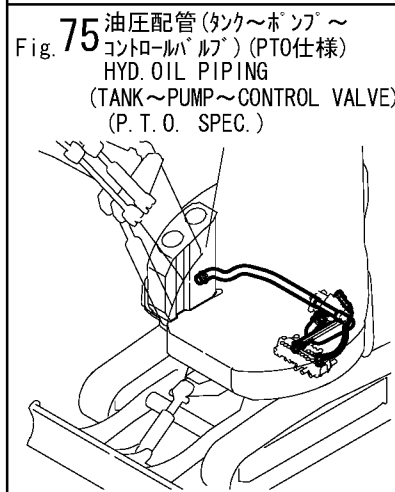
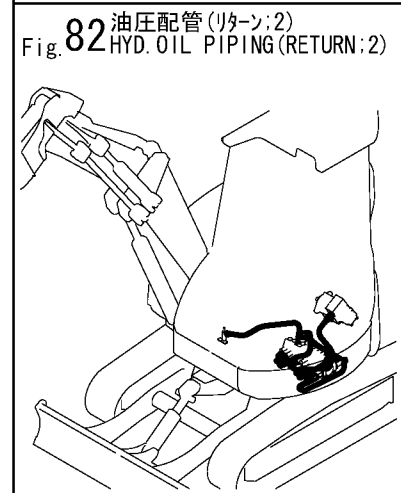
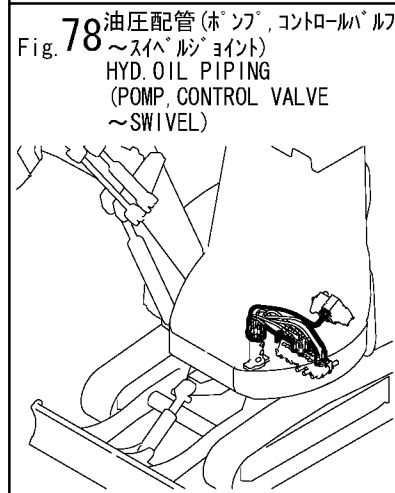
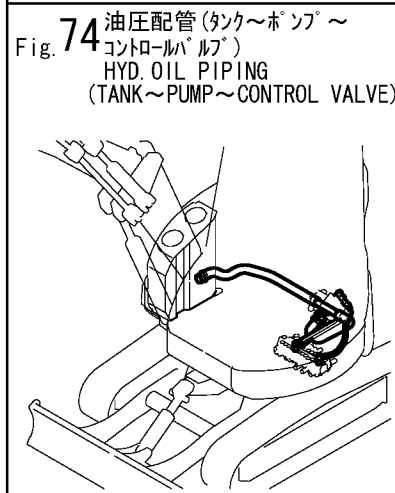
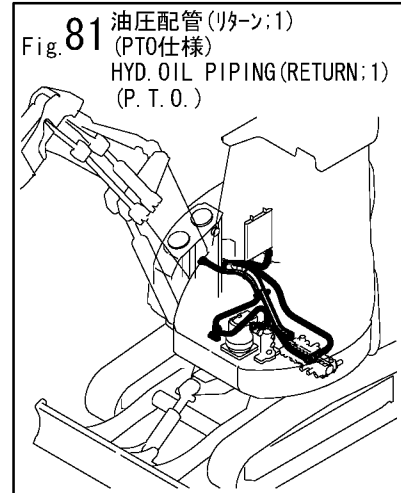
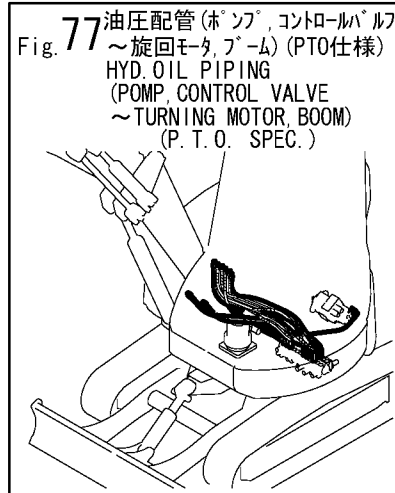
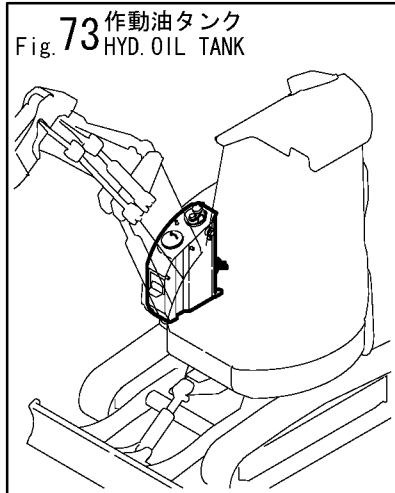
絵目次 (3) . . . . . 項目別  
PICTURESQUE INDEX (3) . . . FIGURE



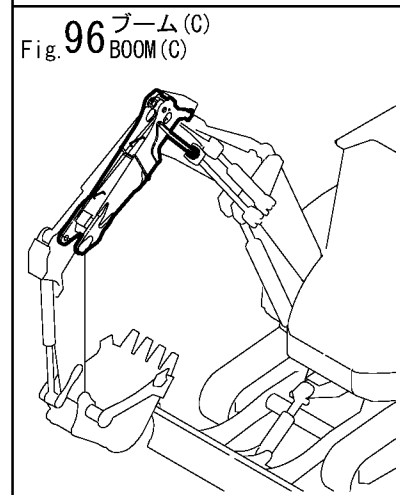
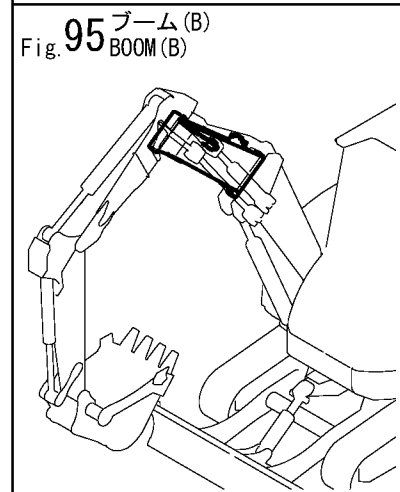
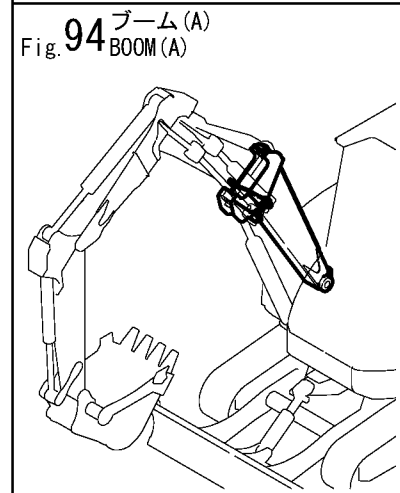
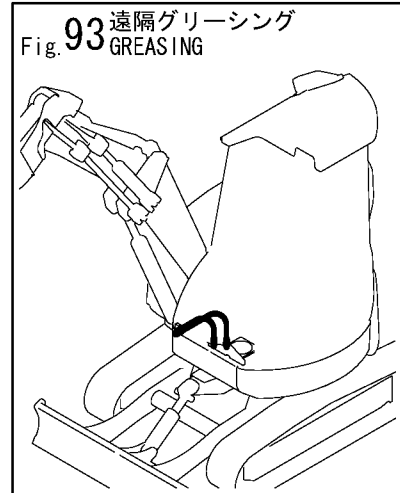
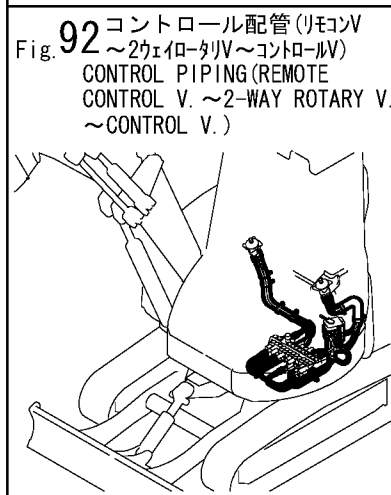
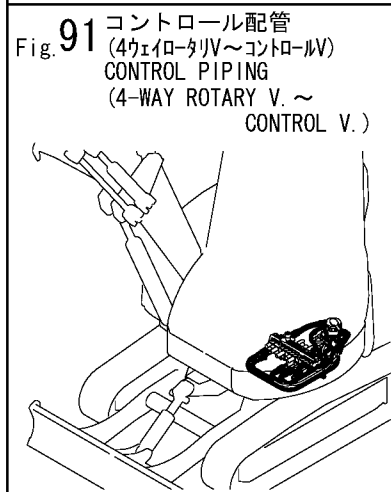
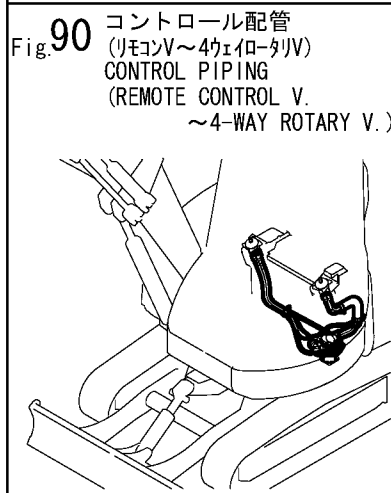
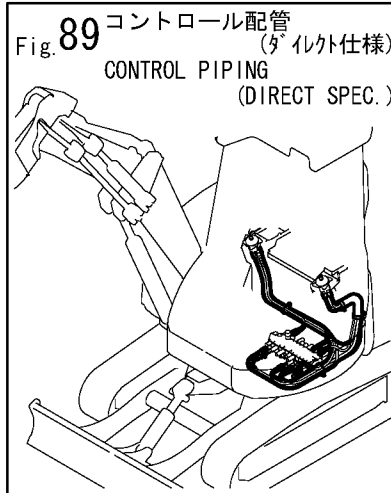
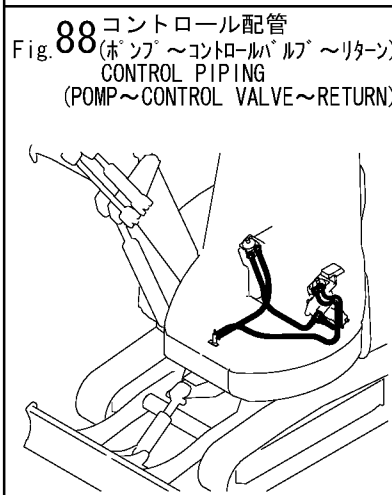
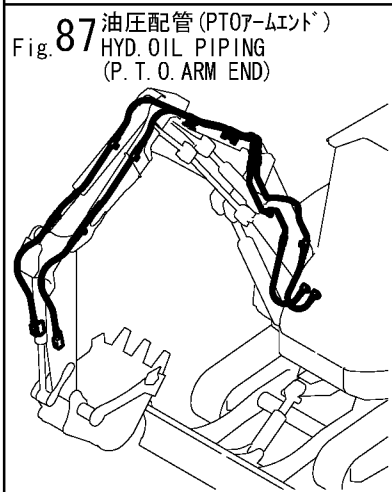
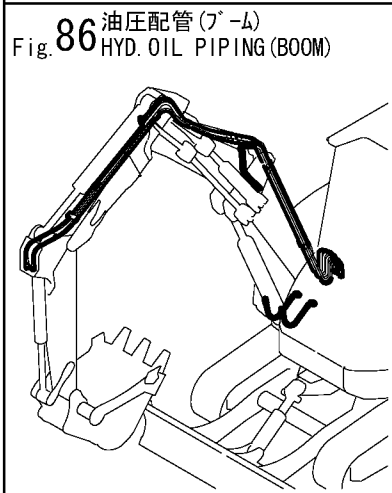
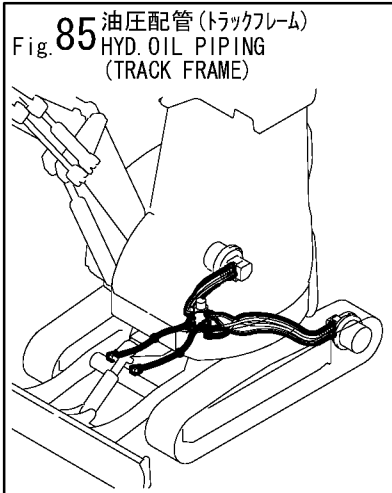
絵目次 (3) . . . . . 項目別  
PICTURESQUE INDEX (3) . . . FIGURE



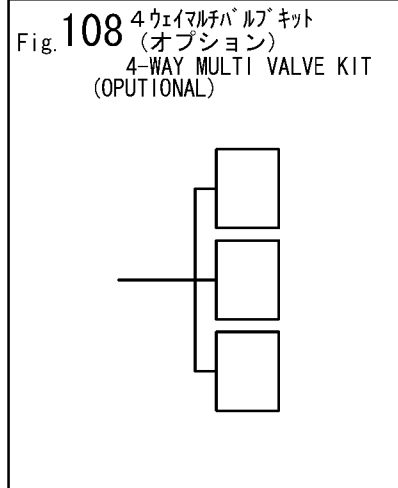
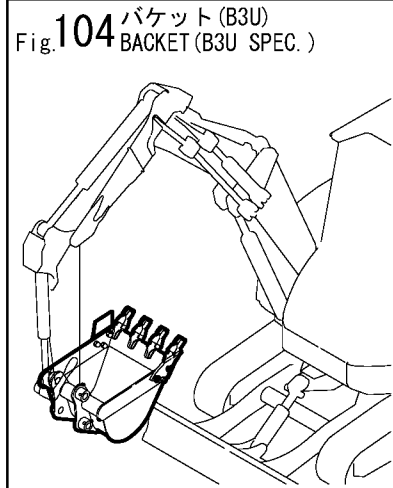
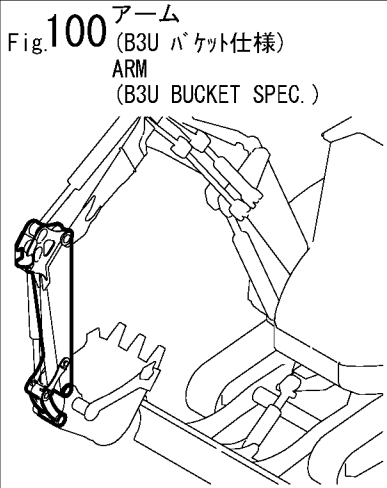
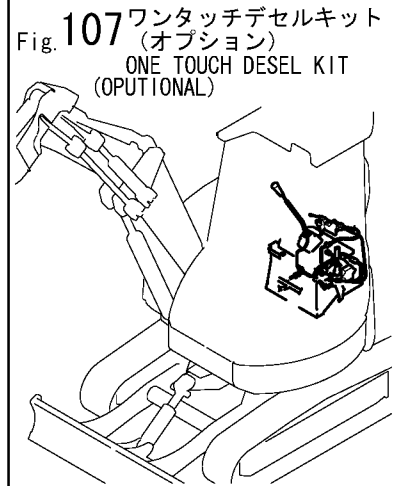
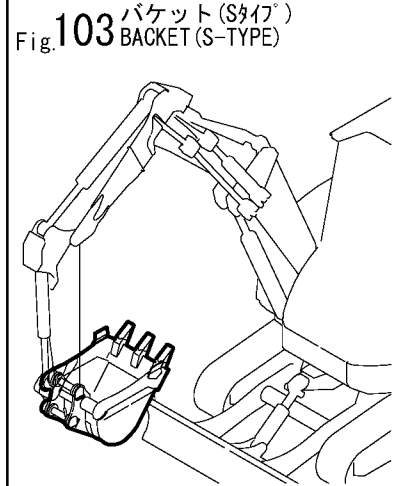
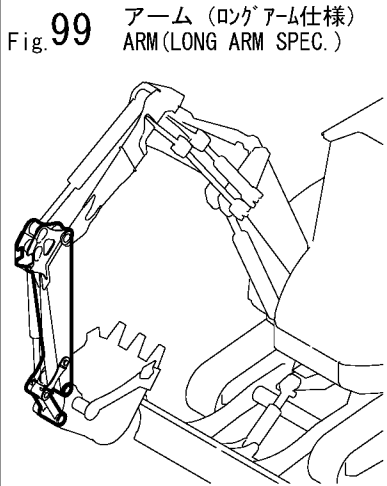
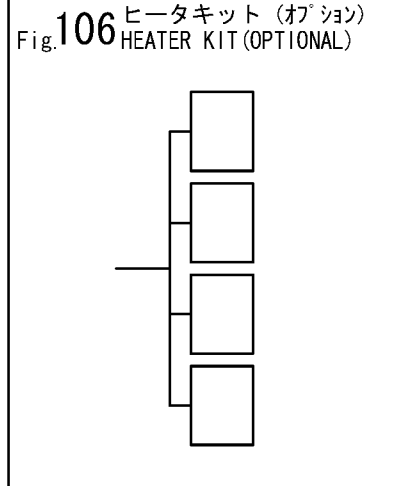
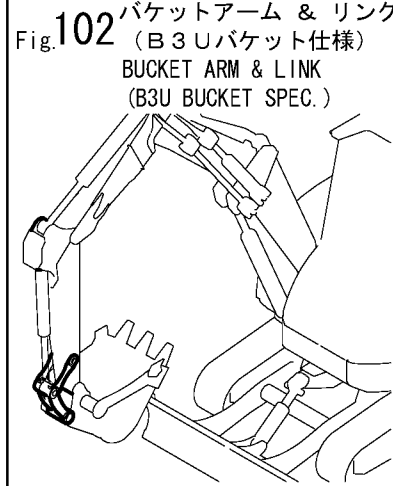
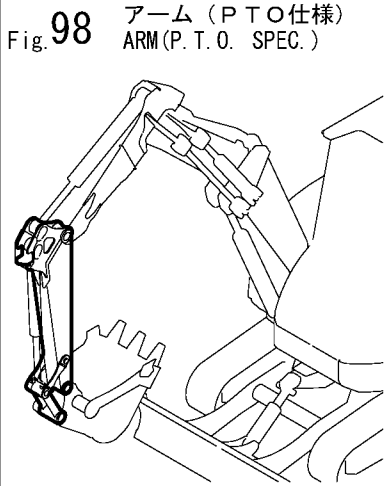
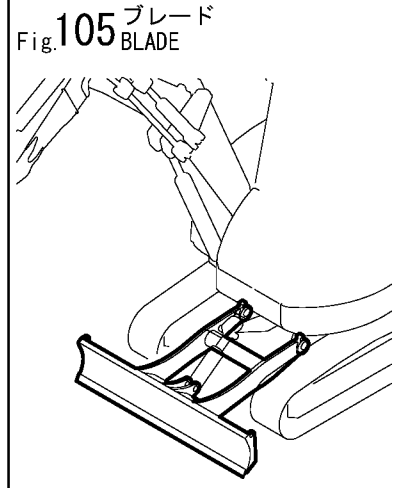
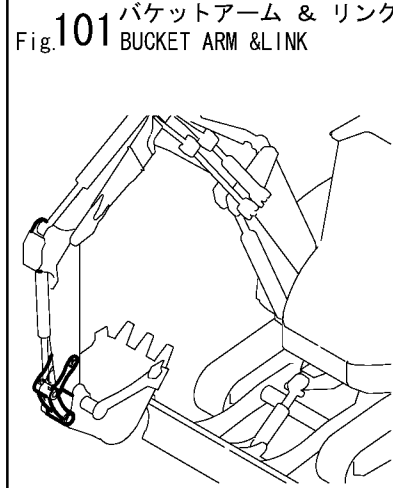
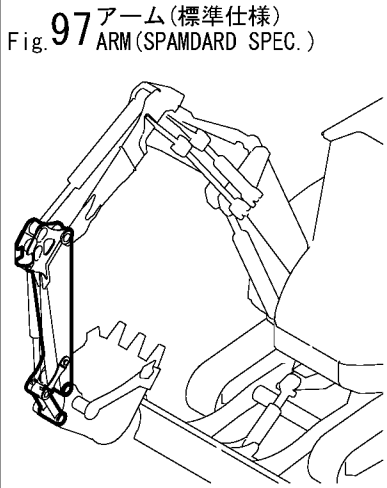
絵目次 (3) . . . . . 項目別  
PICTURESQUE INDEX (3) . . . FIGURE



絵目次 (3) . . . . . 項目別  
PICTURESQUE INDEX (3) . . . FIGURE



絵目次 (3) . . . . . 項目別  
PICTURESQUE INDEX (3) . . . FIGURE





絵目次 (3) . . . . . 項目別  
PICTURESQUE INDEX (3) . . . FIGURE

Fig. 109 2ウェイマルチバルブキット  
(オプション)  
2-WAY MULTI VALVE KIT  
(OPTIONAL)

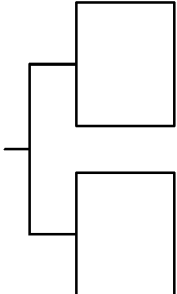
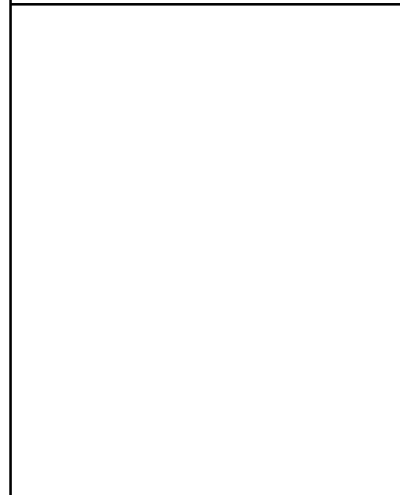
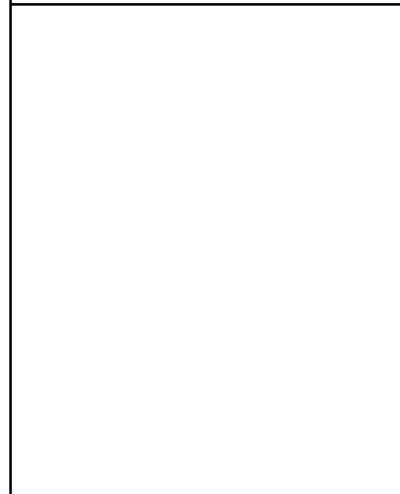
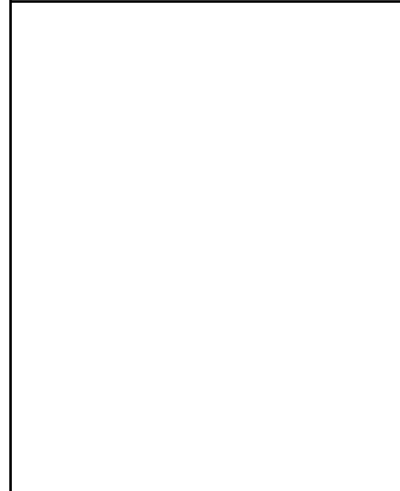
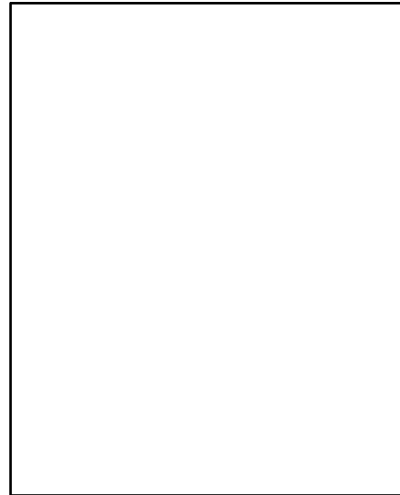
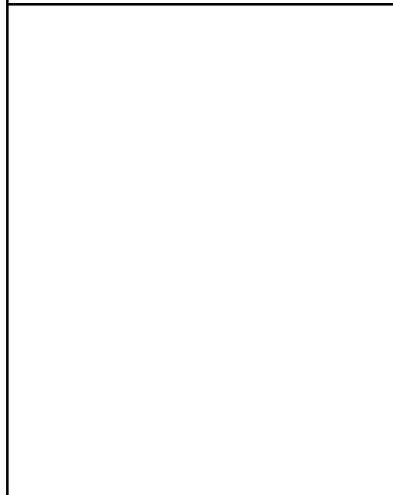
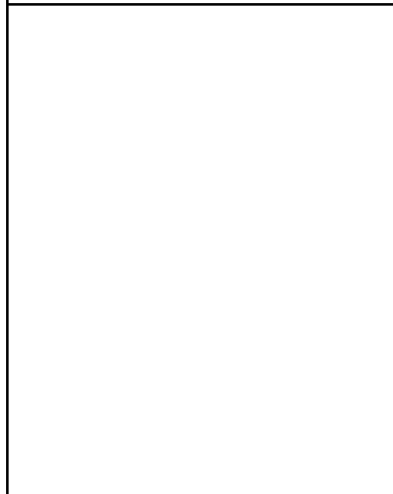
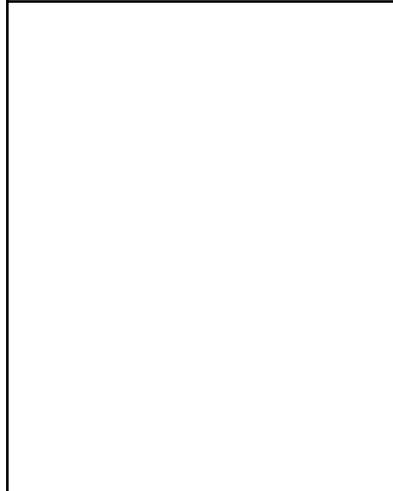
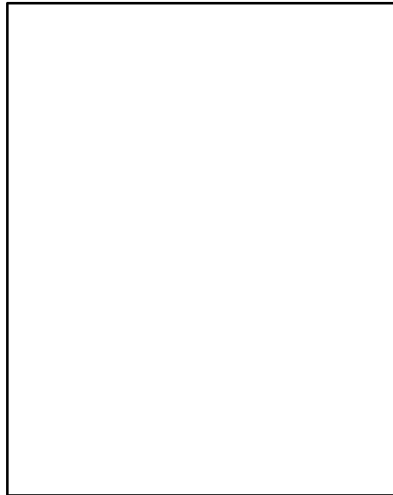
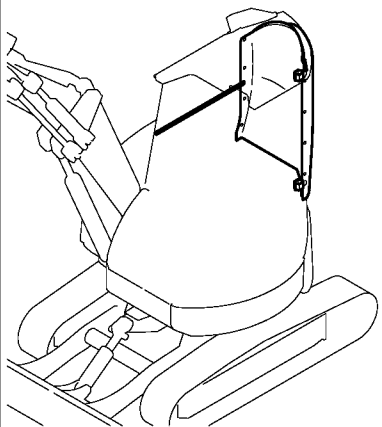
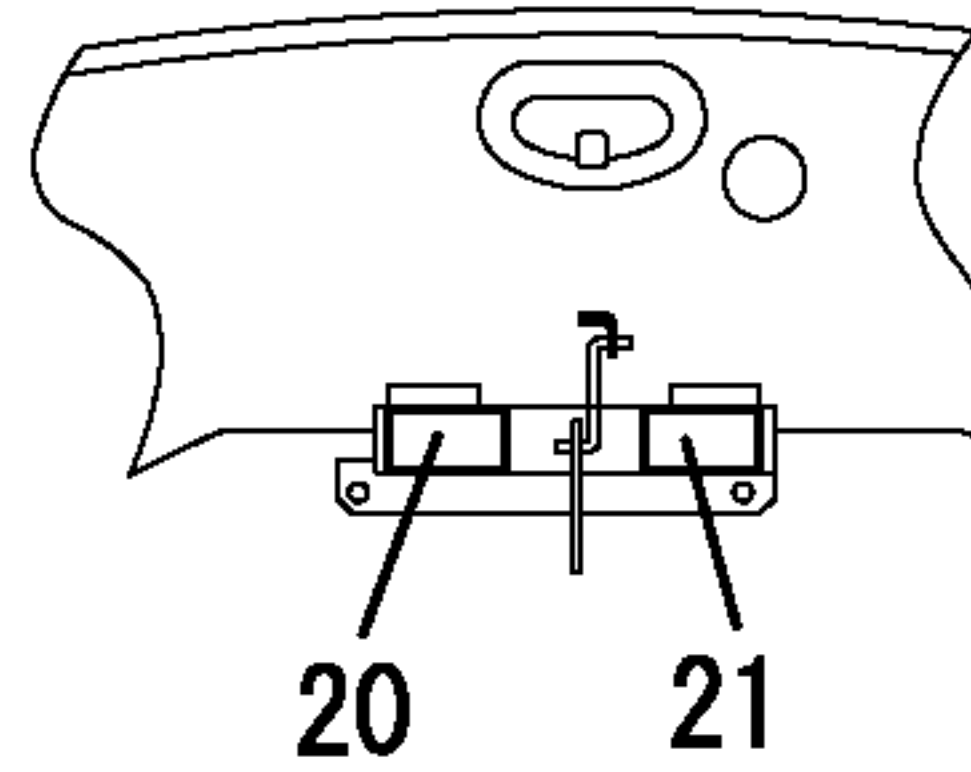
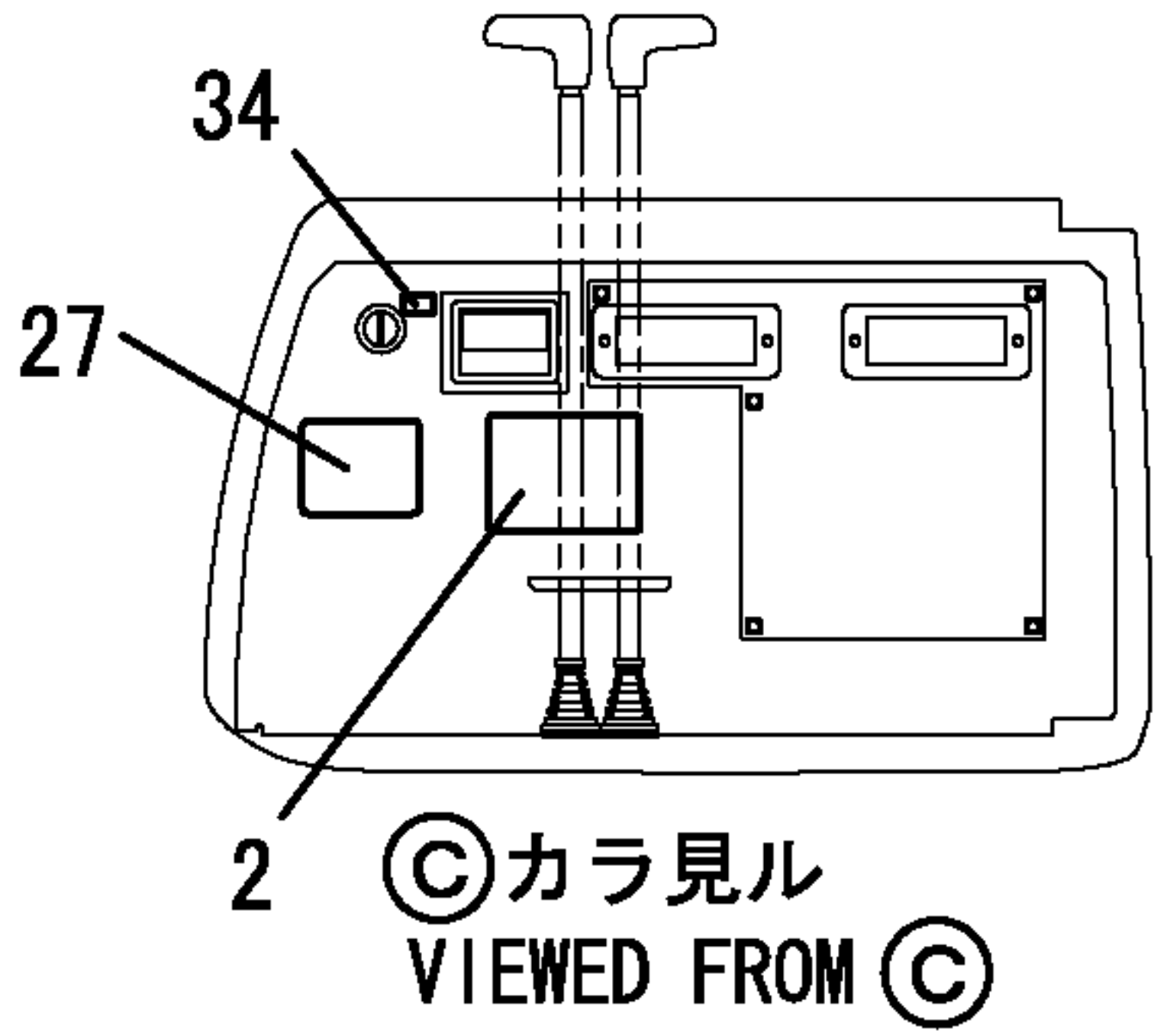
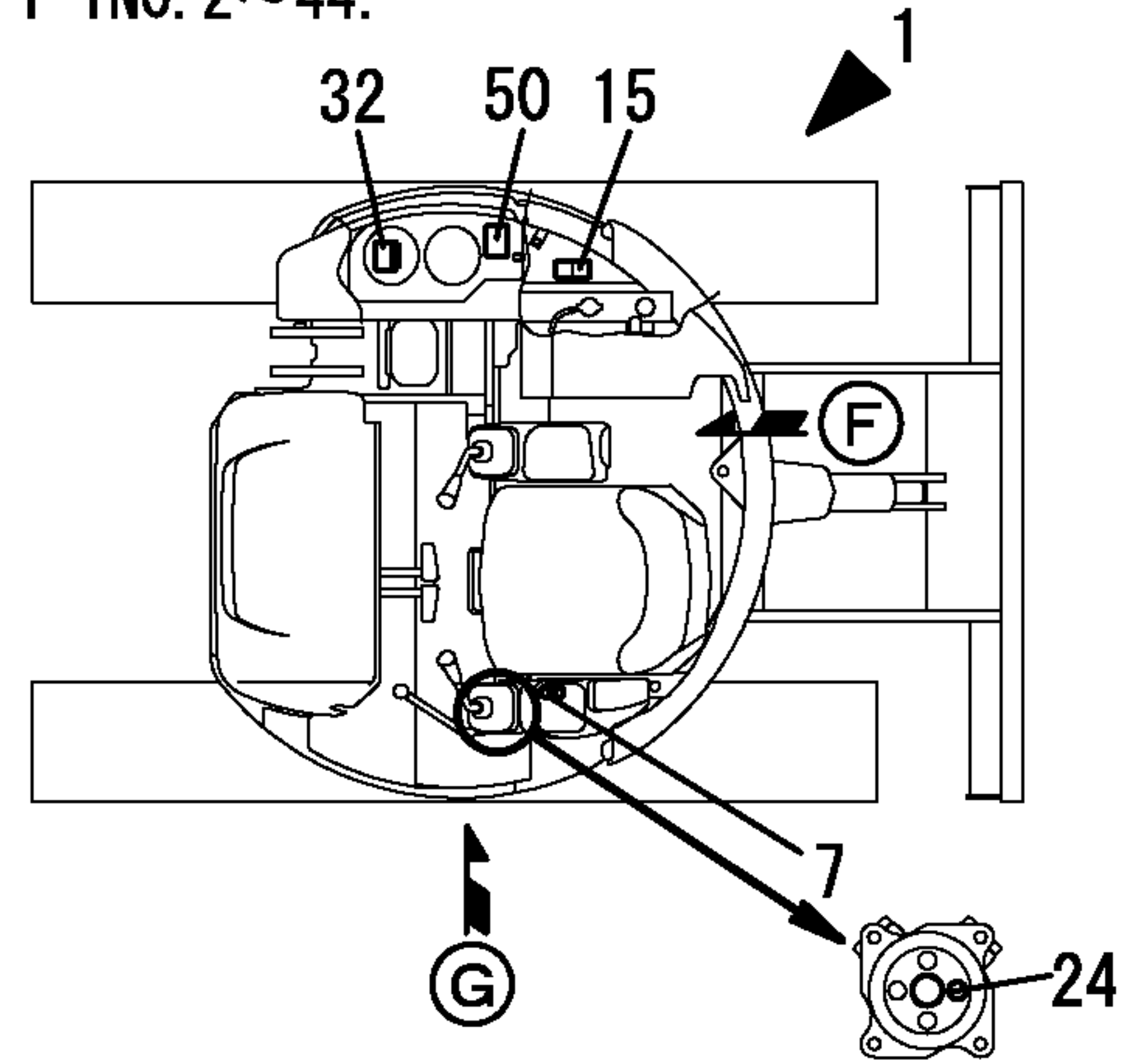
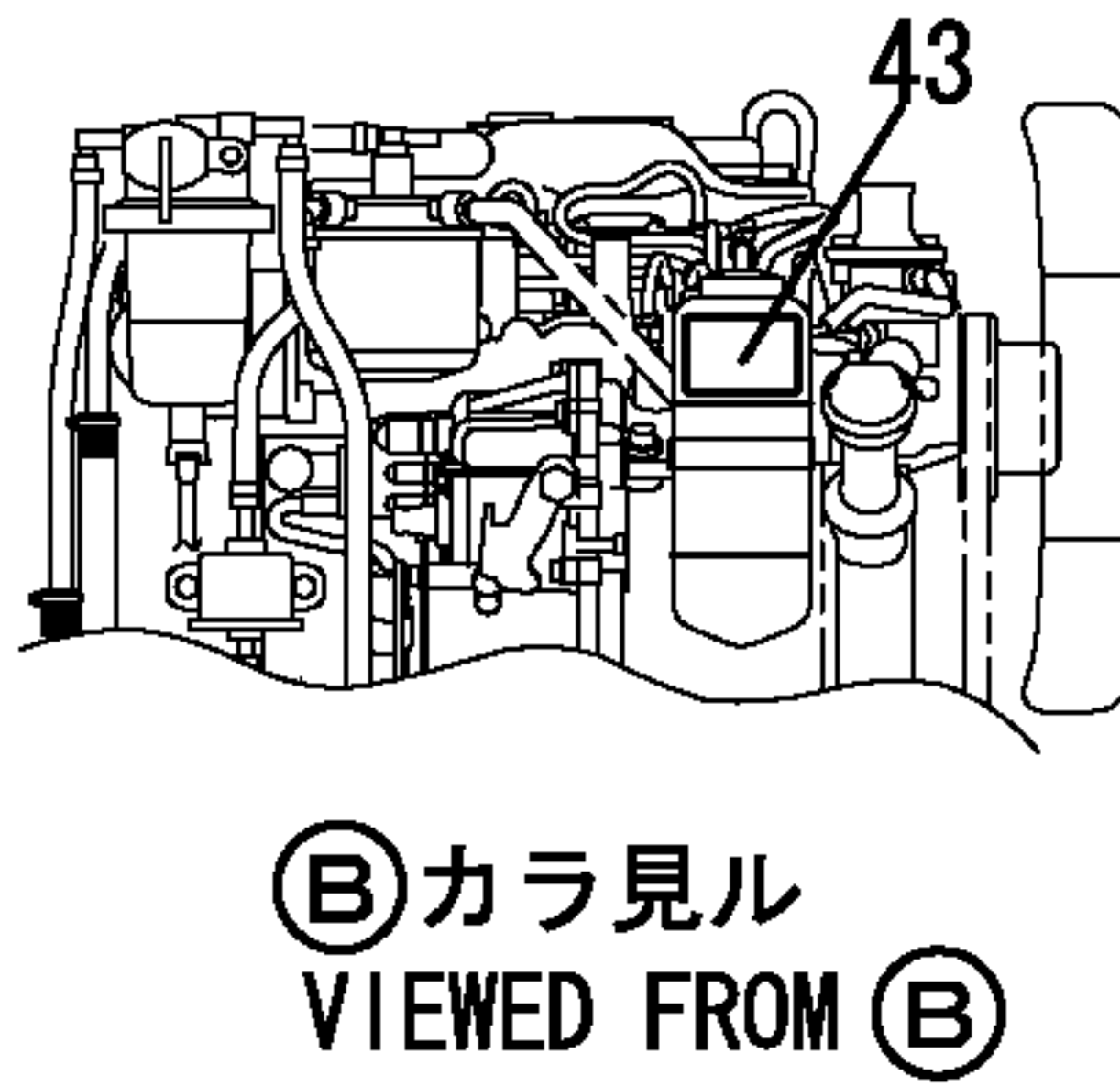
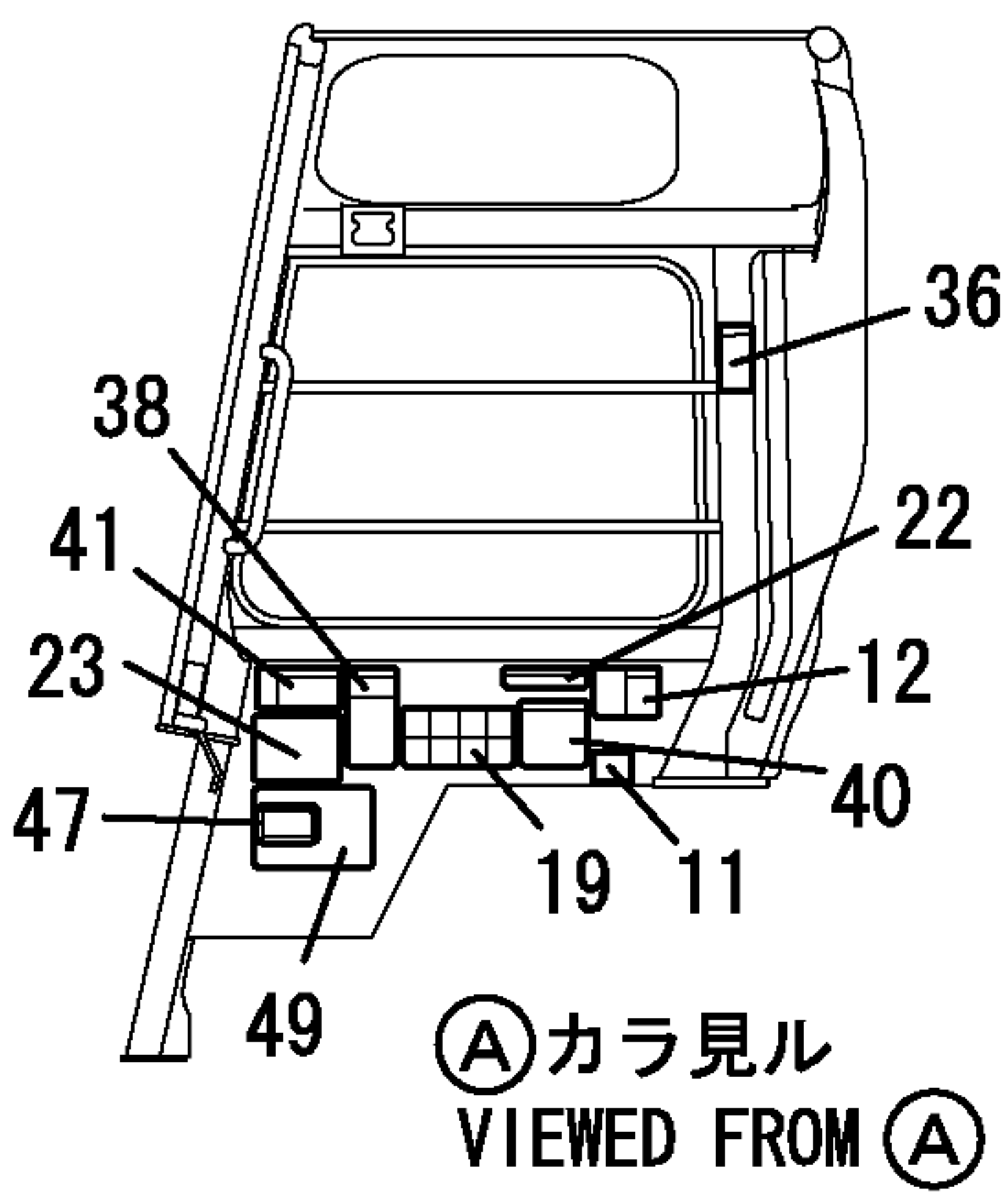


Fig. 110 レインガード (オプション)  
RAIN GUARD (OPTIONAL)

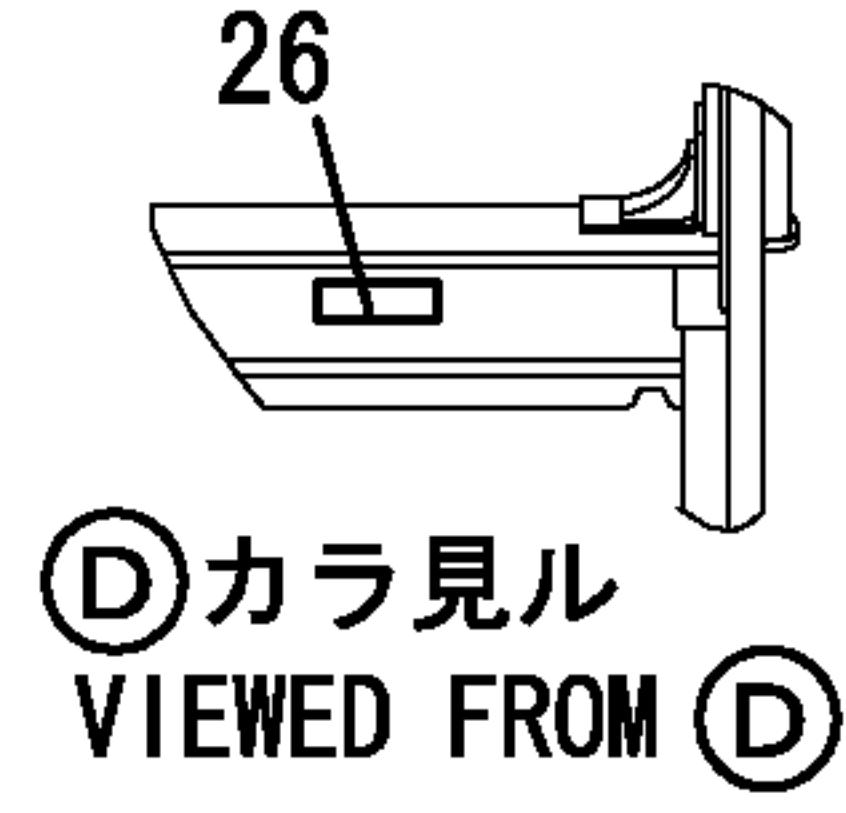
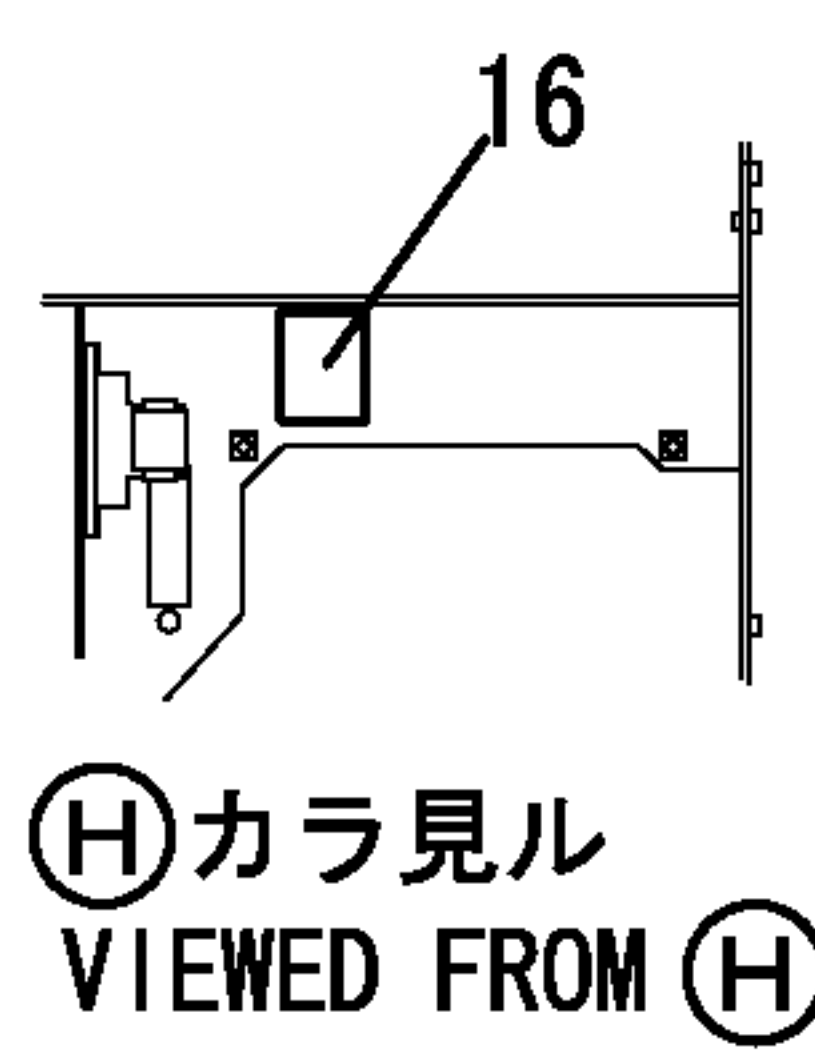
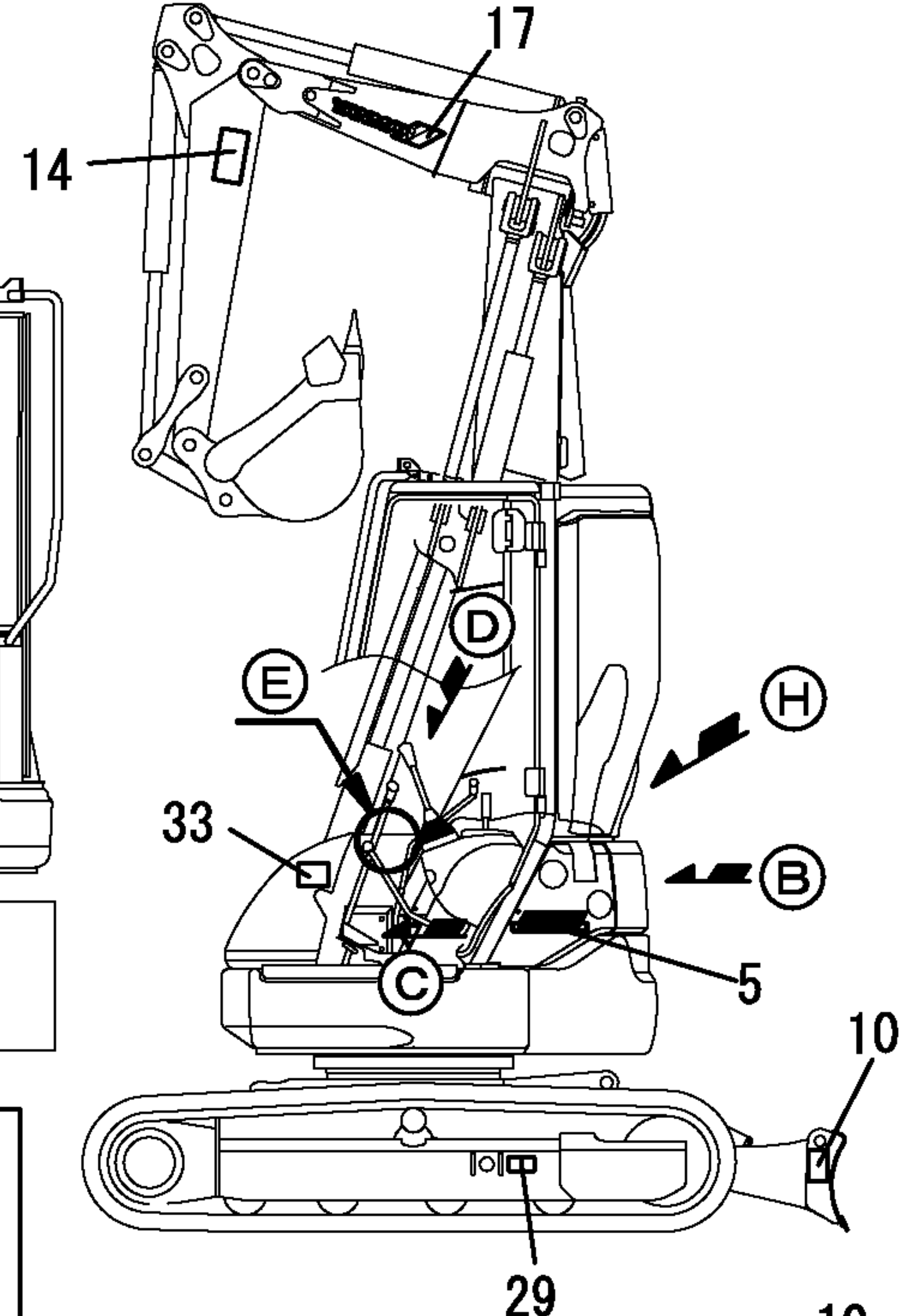


1,1,,772444-03101,, "SET,LABEL B3-3",,,1,,,,,,,,,,,,,I  
2,2,,172444-03113,, "LAVEL,SPECIFICATION",,,1,,,,,,,,,,,,,I  
3,2,,172444-03120,, "LABEL,FEED WATER",,,1,,,,,,,,,,,,,I  
4,2,,172444-03130,, "LABEL,GREASE FEED",,,1,,,,,,,,,,,,,I  
5,2,,172444-03140,, LABEL,,,2,,,,,,,,,,,,,I  
6,2,,172444-03150,, "ALBEL,REAR",,,1,,,,,,,,,,,,,I  
7,2,,172519-03150,, "LABEL, ACCEL",,,1,,,,,,,,,,,,,I  
8,2,,172175-03160,, "LABEL, RADIATOR",,,1,,,,,,,,,,,,,I  
9,2,,172444-03161,, "LABEL, LIFTING",,,1,,,,,,,,,,,,,I  
10,2,,172987-03161,, LABEL,,,3,,,,,,,,,,,,,I  
11,2,,172141-03170,, "LABEL, RESTART",,,1,,,,,,,,,,,,,I  
12,2,,172146-03170,, LABEL,,,1,,,,,,,,,,,,,I  
13,2,,172444-03170,, LABEL,,,1,,,,,,,,,,,,,I  
14,2,,172444-03180,, LABEL,,,2,,,,,,,,,,,,,I  
15,2,,172444-03190,, LABEL,,,1,,,,,,,,,,,,,I  
16,2,,172141-03202,, "LABEL,CAUTION",,,1,,,,,,,,,,,,,I  
17,2,,172186-03200,, "LABEL,BRAND",,,2,,,,,,,,,,,,,I  
18,2,,172444-03200,, "LABEL,BATTERY",,,1,,,,,,,,,,,,,I  
19,2,,172444-03210,, LABEL,,,1,,,,,,,,,,,,,I  
20,2,,172444-03220,, LABEL,,,1,,,,,,,,,,,,,I  
21,2,,172444-03230,, LABEL,,,1,,,,,,,,,,,,,I  
22,2,,172444-03240,, LABEL,,,1,,,,,,,,,,,,,I  
23,2,,172162-03250,, "LABEL,PATTERN A",,,1,,,,,,,,,,,,,I  
24,2,,172173-03250,, LABEL,,,1,,,,,,,,,,,,,I  
25,2,,172444-03250,, LABEL,,,1,,,,,,,,,,,,,I  
26,2,,172444-03260,, LABEL,,,1,,,,,,,,,,,,,I  
27,2,,172444-03270,, "LABEL,WARNING",,,1,,,,,,,,,,,,,I  
28,2,,172183-03280,, "LABEL,LOCK",,,1,,,,,,,,,,,,,I  
29,2,,172444-03280,, LABEL,,,2,,,,,,,,,,,,,I  
30,2,,172142-03302,, "LABEL,CAUTION",,,1,,,,,,,,,,,,,I  
31,2,,172444-03300,, LABEL,,,1,,,,,,,,,,,,,I  
32,2,,172155-03310,, "LABEL, OILING",,,1,,,,,,,,,,,,,I  
33,2,,172444-03311,, LABEL,,,1,,,,,,,,,,,,,I  
34,2,,172444-03320,, LABEL,,,1,,,,,,,,,,,,,I  
36,2,,172162-03351,, LABEL,,,1,,,,,,,,,,,,,I  
37,2,,172141-03360,, "LABEL, START SWITCH",,,1,,,,,,,,,,,,,I  
38,2,,172964-03370,, LABEL,,,1,,,,,,,,,,,,,I  
39,2,,172964-03481,, "LABEL,DANGER",,,1,,,,,,,,,,,,,I  
40,2,,172164-03510,, "LABEL,LOADING",,,1,,,,,,,,,,,,,I  
41,2,,172164-03540,, LABEL,,,1,,,,,,,,,,,,,I  
42,2,,172519-04180,, "LABEL,WARNING",,,1,,,,,,,,,,,,,I  
43,2,,121470-44540,, "LABEL, SUB-TANK",,,1,,,,,,,,,,,,,I  
44,2,,1E5120-86720,, "CAUTION,MUFFLER",,,1,,,,,,,,,,,,,I  
45,1,,172445-03180,, LABEL,,,1,,,,,1,,,,,,,,,,,,,I  
46,1,,172165-03240,, LABEL,,,1,,,,,2,,,,,,,,,,,,,I  
47,1,,172444-03290,, MAGNET,,,1,,,,,1,,,,,,,,,,,,,I  
48,1,,172445-03220,, LABEL,,,1,,,,,,,,,,,,,I  
49,1,,172151-03551,, LABEL,,,1,,,,,,,,,,,,,I  
50,1,,172519-04290,, "LABEL,WARNING",,,1,,,,,,,,,,,,,I

見出しNO. 1は  
見出しNO. 2から44を含みます。  
1 INC. 2~44.



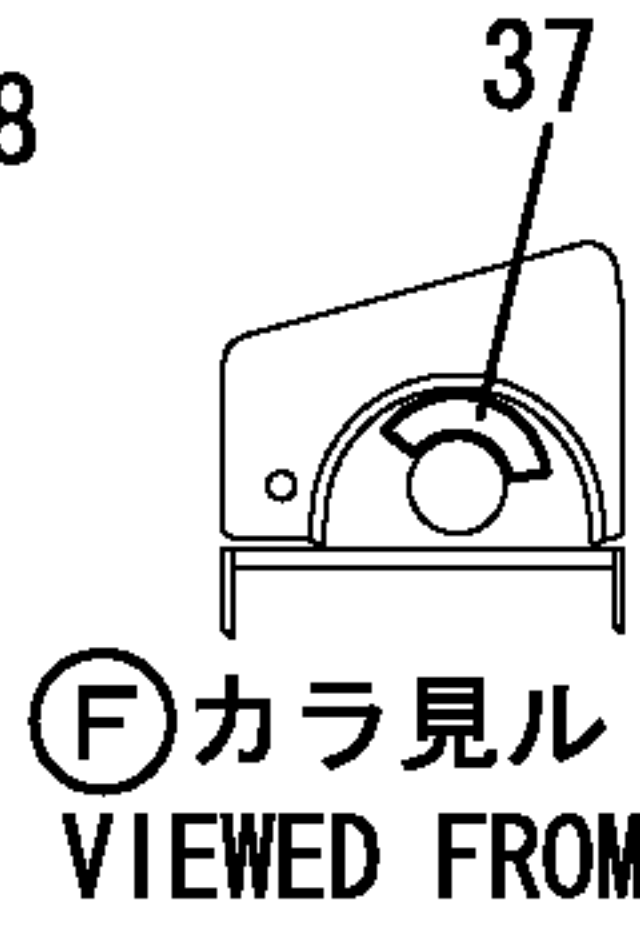
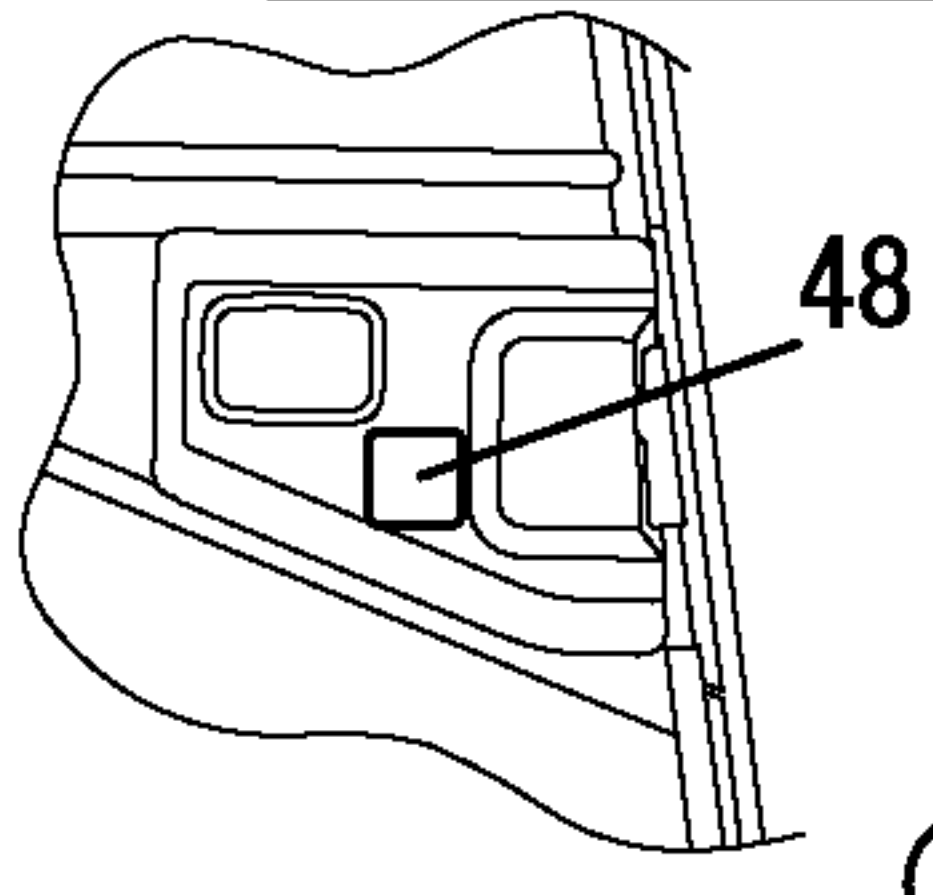
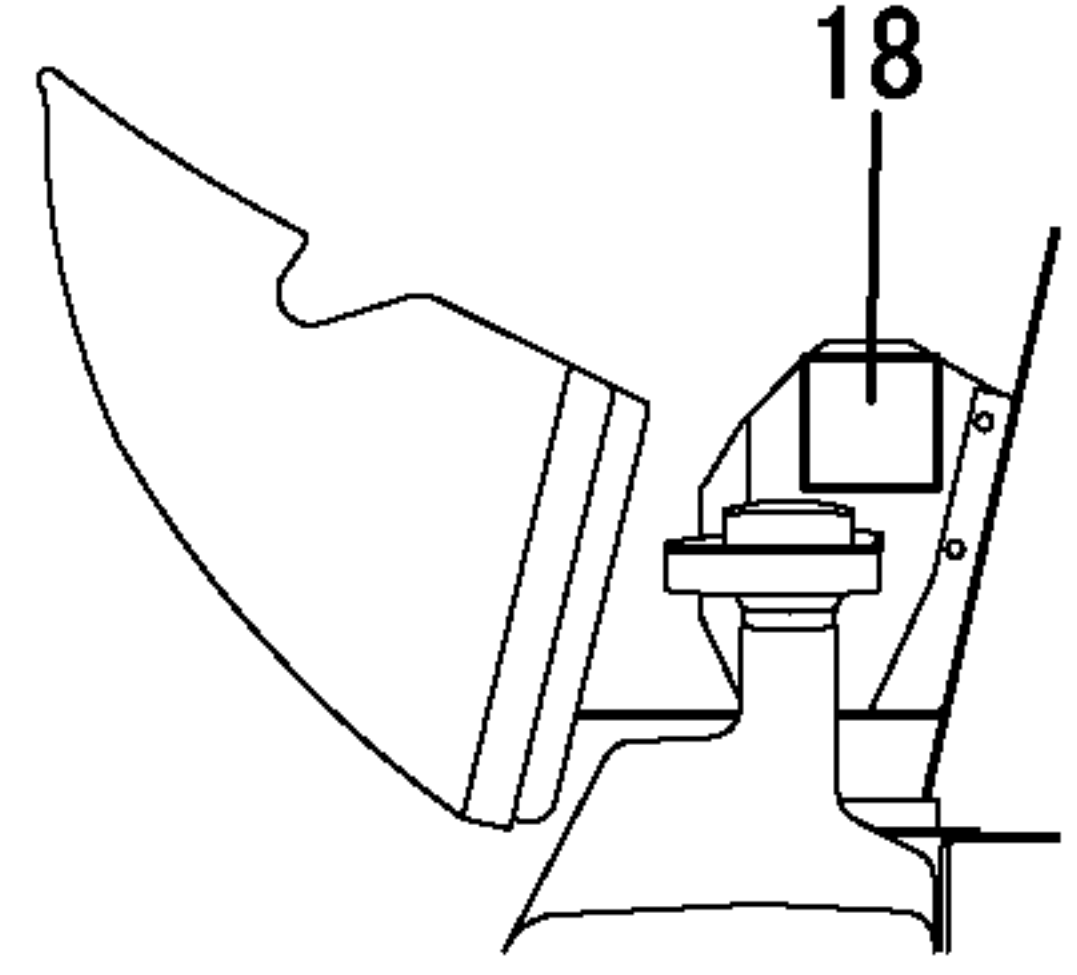
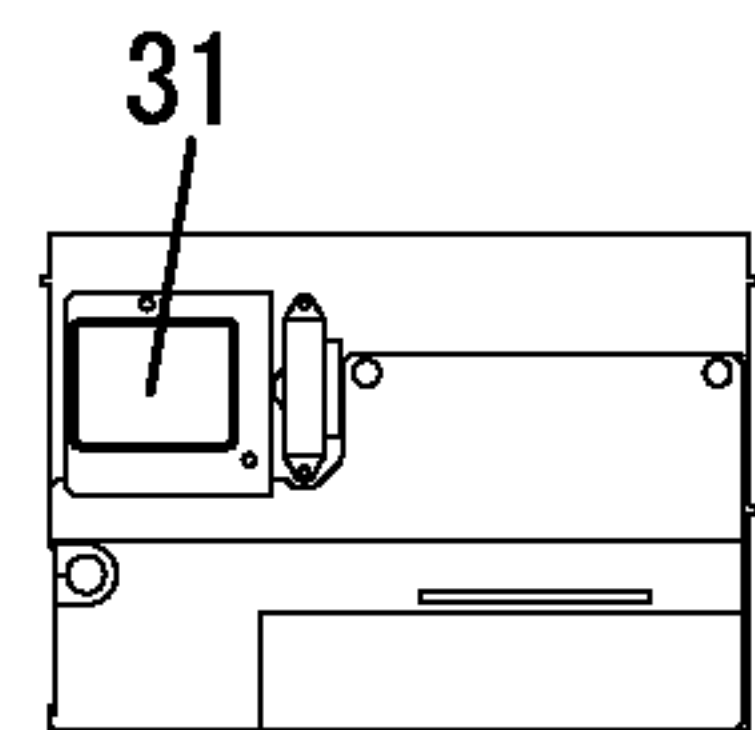
取説収納庫在中  
IN THE OPERATION  
MANUAL CASE



機体NO. 機関NO. 打刻位置  
MACHINE SERIAL NO.  
ENGINE NO. IS STAMPED  
INTO THIS LOCATION.

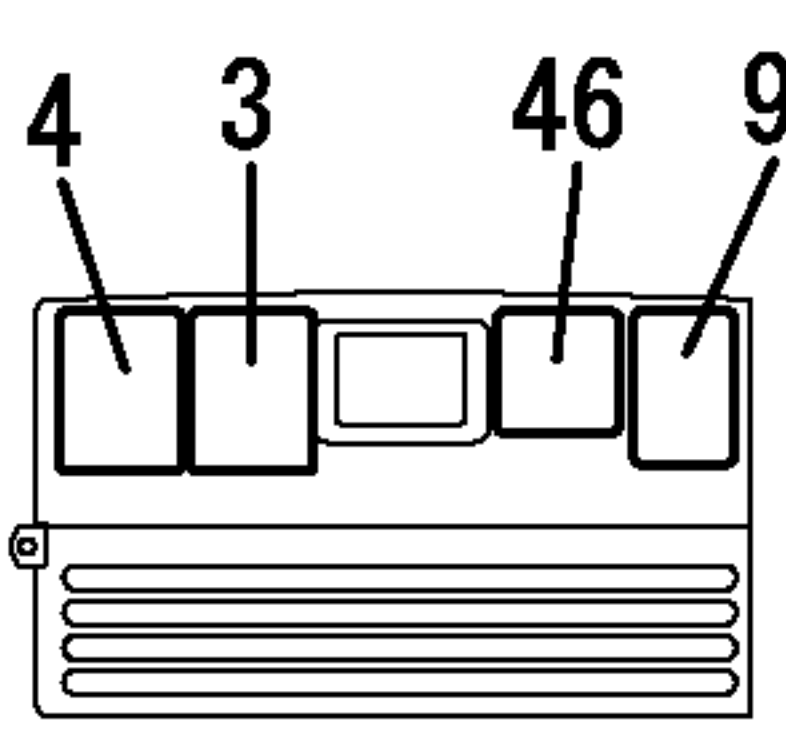
機体No. 打刻位置  
MACHINE SERIAL No.  
IS STAMPED INTO  
THIS LOCATION.

(E)部詳細  
DETAILS OF (E)

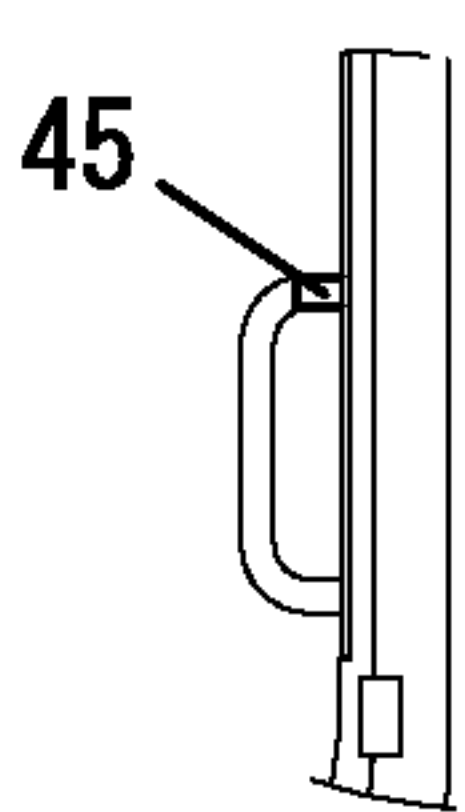


グリルを開いて  
OPEN THE GRILLE

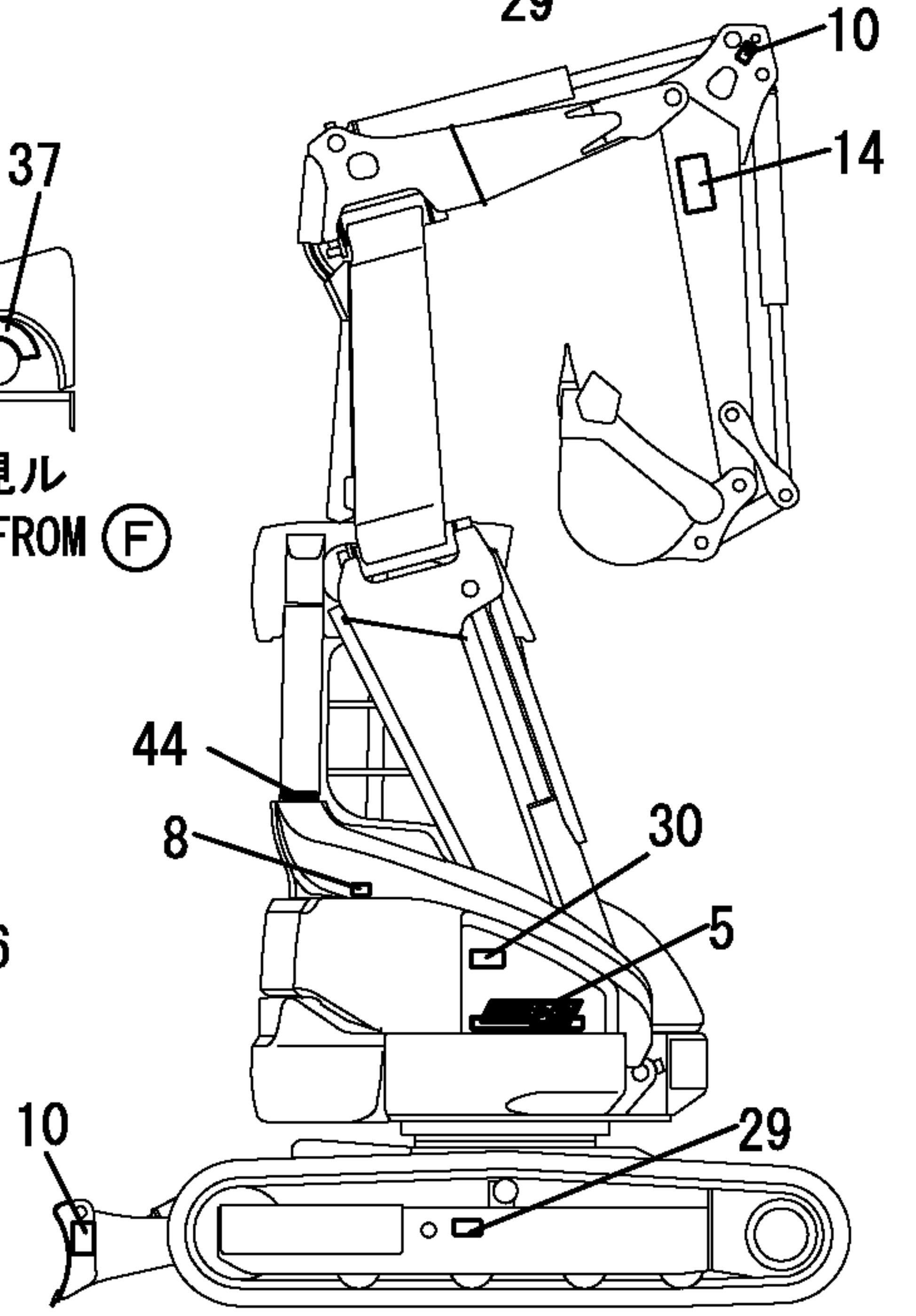
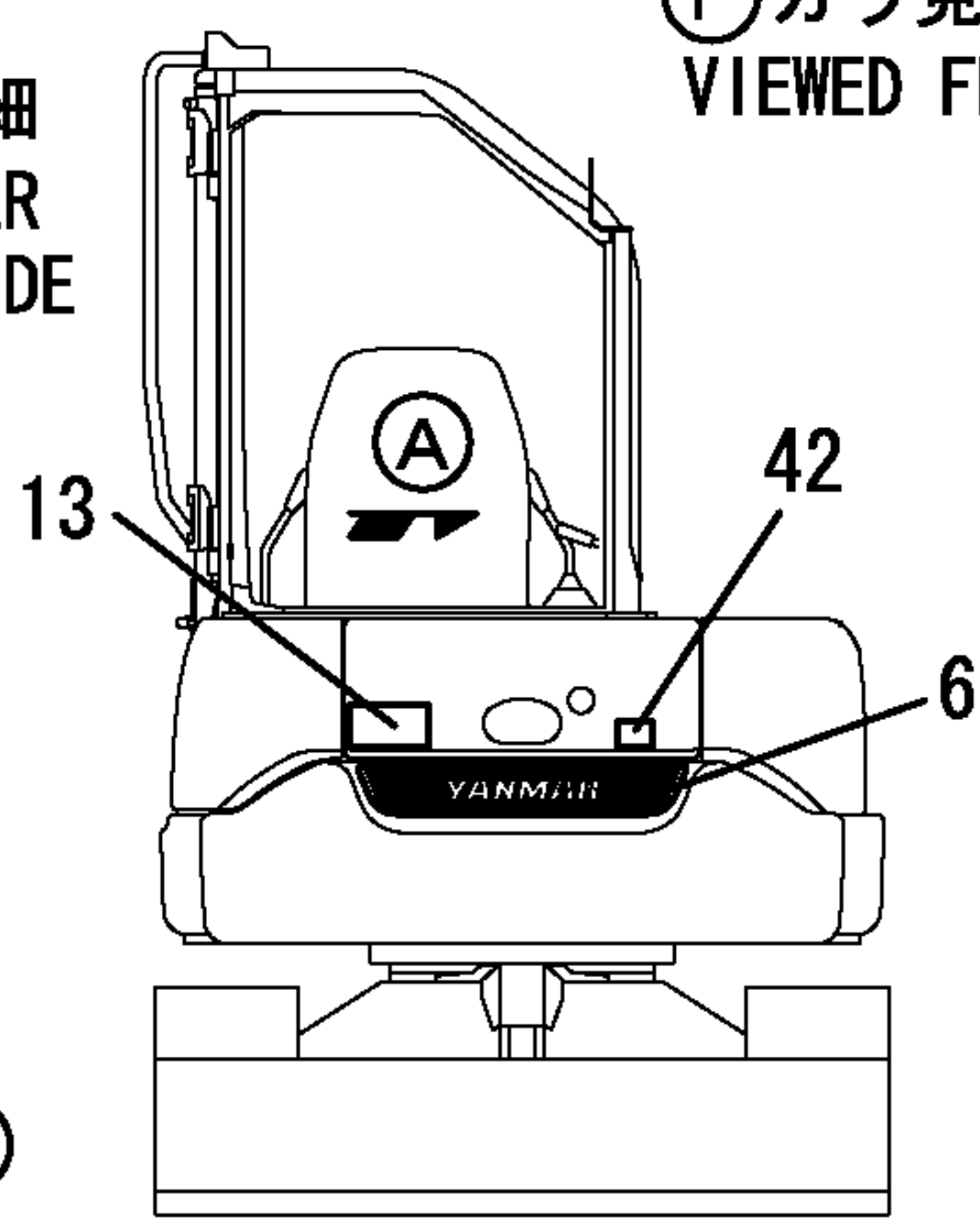
フロントカバー内側詳細  
DETAILS OF FRONT COVER  
INSIDE



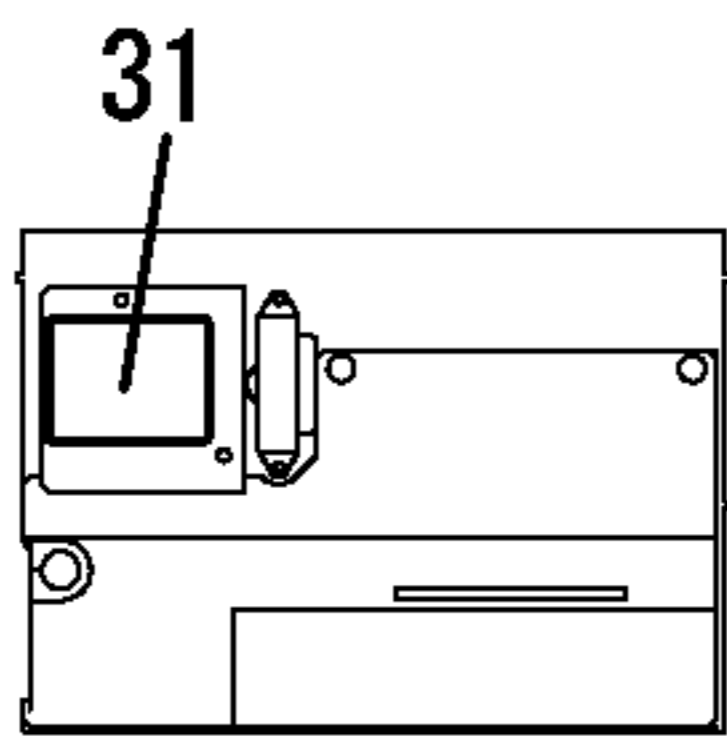
グリル内側詳細  
DETAILS OF GRILLE  
INSIDE



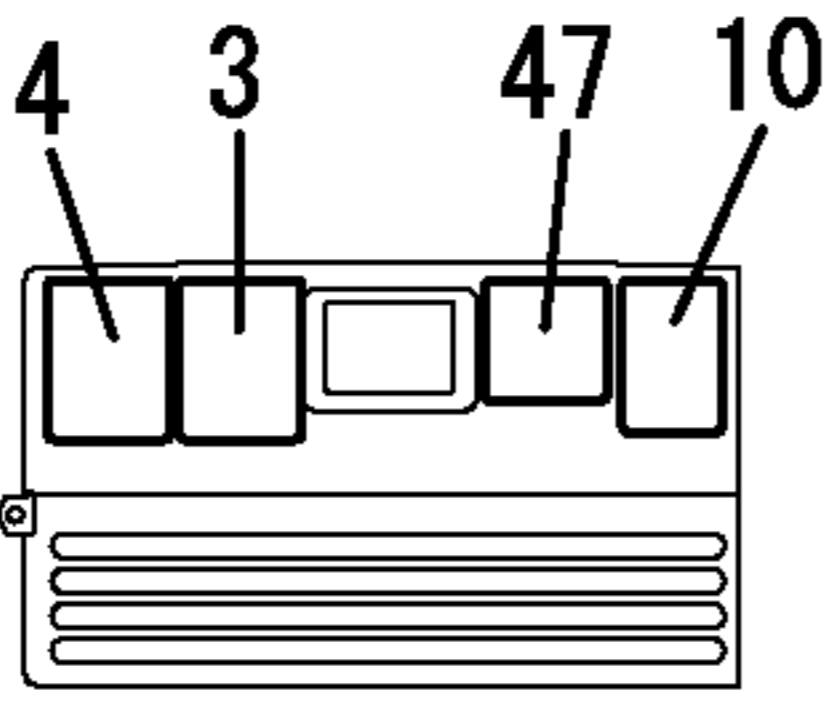
(G)カラ見ル  
VIEWED FROM (G)



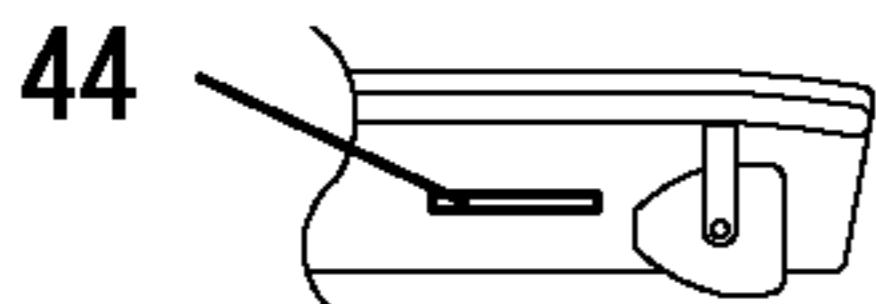
1,1,,772444-03100,, "LABEL SET (B3-3)",1,,,,,,,,,,,,,  
1A,1,,772444-03101,, "SET,LABEL B3-3",,1,,,,,,,,,,,,,I  
2,2,,172444-03110,, LABEL,1,,,,,,,,,,,,,  
2-1,2,,172444-03111,, "LABEL, SPECIFICATION",1,,,,,N,,72422137,M/#31257,,,,,,  
2A,2,,172444-03112,, "LABEL, SPECIFICATION",,1,,,,,,,,,,,,,I  
2A-1,2,,172444-  
03113,, "LAVEL,SPECIFICATION",,1,,,,,N,,,,72457041,M/#36670,,,,,,I  
3,2,,172444-03120,, "LABEL,FEED WATER",1,1,,,,,,,,,,,,,  
4,2,,172444-03130,, "LABEL,GREASE FEED",1,1,,,,,,,,,,,,,  
5,2,,172444-03140,, LABEL,2,2,,,,,,,,,,,,,  
6,2,,172444-03150,, "ALBEL,REAR",1,1,,,,,,,,,,,,,  
7,2,,172519-03150,, "LABEL, ACCEL",1,1,,,,,,,,,,,,,  
8,2,,1E5120-86720,, "CAUTION,MUFFLER",1,1,,,,,,,,,,,,,  
9,2,,172175-03160,, "LABEL, RADIATOR",1,1,,,,,,,,,,,,,  
10,2,,172444-03160,, LABEL,1,1,,,,,,,,,,,,,  
10-1,1,,172444-03161,, "LABEL, LIFTING",,1,,,,,N,,,,72458417,M/#36313,,,,,,I  
11,2,,172987-03161,, LABEL,3,3,,,,,,,,,,,,,  
12,2,,172141-03170,, "LABEL, RESTART",1,1,,,,,,,,,,,,,  
13,2,,172146-03170,, LABEL,1,1,,,,,,,,,,,,,  
14,2,,172444-03170,, LABEL,1,1,,,,,,,,,,,,,  
15,2,,172444-03180,, LABEL,2,2,,,,,,,,,,,,,  
16,2,,172444-03190,, LABEL,1,1,,,,,,,,,,,,,  
17,2,,172186-03200,, "LABEL,BRAND",2,2,,,,,,,,,,,,,  
18,2,,172444-03200,, "LABEL,BATTERY",1,1,,,,,,,,,,,,,  
19,2,,172444-03210,, LABEL,1,1,,,,,,,,,,,,,  
20,2,,172444-03220,, LABEL,1,1,,,,,,,,,,,,,  
21,2,,172444-03230,, LABEL,1,1,,,,,,,,,,,,,  
22,2,,172444-03240,, LABEL,1,1,,,,,,,,,,,,,  
23,2,,172162-03250,, "LABEL,PATTERN A",1,1,,,,,,,,,,,,,  
24,2,,172173-03250,, LABEL,1,1,,,,,,,,,,,,,  
25,2,,172444-03310,, LABEL,1,,,,,,,,,,,,,  
25-1,2,,172444-03311,, LABEL,1,1,,,,,N,72445228,M/#30820,,,,,,  
26,2,,172444-03250,, LABEL,1,1,,,,,,,,,,,,,  
27,2,,172444-03260,, LABEL,1,1,,,,,,,,,,,,,  
28,2,,172444-03270,, "LABEL,WARNING",1,1,,,,,,,,,,,,,  
29,2,,172444-03280,, LABEL,2,2,,,,,,,,,,,,,  
30,2,,172142-03302,, "LABEL,CAUTION",1,1,,,,,,,,,,,,,  
31,2,,172444-03300,, LABEL,1,1,,,,,,,,,,,,,  
32,2,,172155-03310,, "LABEL, OILING",1,1,,,,,,,,,,,,,  
33,2,,172162-03350,, LABEL,1,1,,,,,,,,,,,,,  
33-1,1,,172162-03351,, LABEL,,1,,,,,N,,72487088,M/#36694,,,,,,I  
34,2,,172141-03360,, "LABEL, START SWITCH",1,1,,,,,,,,,,,,,  
35,2,,172964-03370,, LABEL,1,1,,,,,,,,,,,,,  
36,2,,172964-03481,, "LABEL,DANGER",1,1,,,,,,,,,,,,,  
37,2,,172164-03510,, "LABEL,LOADING",1,1,,,,,,,,,,,,,  
38,2,,172164-03540,, LABEL,1,1,,,,,,,,,,,,,  
39,2,,172519-04180,, "LABEL,WARNING",1,1,,,,,,,,,,,,,  
40,2,,121470-44540,, "LABEL, SUB-TANK",1,1,,,,,,,,,,,,,  
41,2,,172141-03202,, "LABEL,CAUTION",1,1,,,,,,,,,,,,,  
42,2,,172444-03320,, LABEL,1,1,,,,,,,,,,,,,  
43,2,,172183-03280,, "LABEL,LOCK",1,1,,,,,,,,,,,,,  
44,2,,172444-03330,, LABEL,1,1,,,,,W,72444298,M/#30820,,,,,,  
45,1,,172444-03290,, MAGNET,1,1,,,,,2,,,,,,,,,,,,,  
46,1,,172151-03540,, "LABEL,PATTERN A",1,1,,,,,2,,,,,,,,,,,,,  
47,1,,172165-03240,, LABEL,1,1,,,,,1,,,,,,,,,,,,,  
48,1,,172173-03550,, "LABEL (2-WAY",1,1,,,,,W,4,72444324,M/#30921,,,,,,  
49,1,,172173-03560,, "LABEL (YANMAR",1,1,,,,,W,4,72444324,M/#30921,,,,,,  
50,1,,172173-03570,, "LABEL (KOMATSU",1,1,,,,,W,4,72444324,M/#30921,,,,,,  
51,1,,172444-03410,, "LABEL,SPECIFICATION",1,1,,,,,5,,,,,,,,,,,,,  
51-1,1,,172444-  
03412,, "LABEL,SPECIFICATION",,1,,,,,N,,,,72457041,M/#36670,,,,,,I  
52,1,,172151-03550,, "LABEL,PATTERN B",1,1,,,,,W,3,72444223,M/#30621,,,,,,  
52-1,1,,172151-03551,, LABEL,,1,,,,,N,,,,72458237,M/#36071,,,,,,I



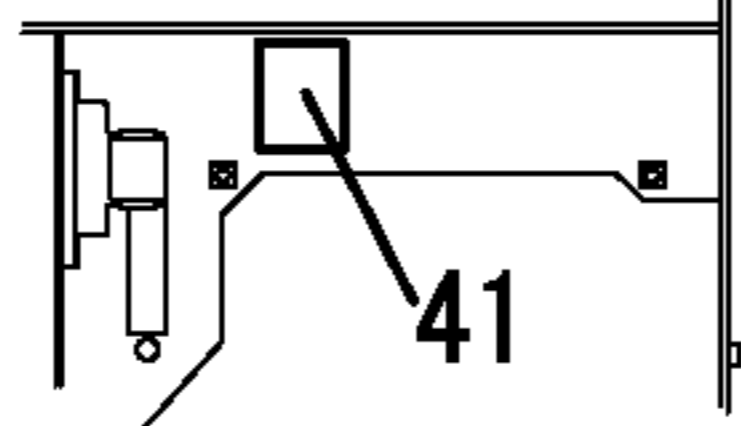
グリルを開いて  
OPEN THE GRILLE



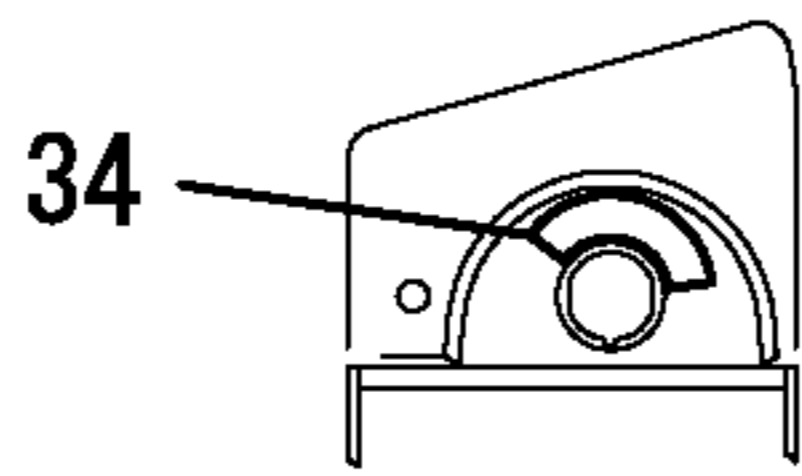
グリル内側詳細  
DETAILS OF GRILLE  
INSIDE



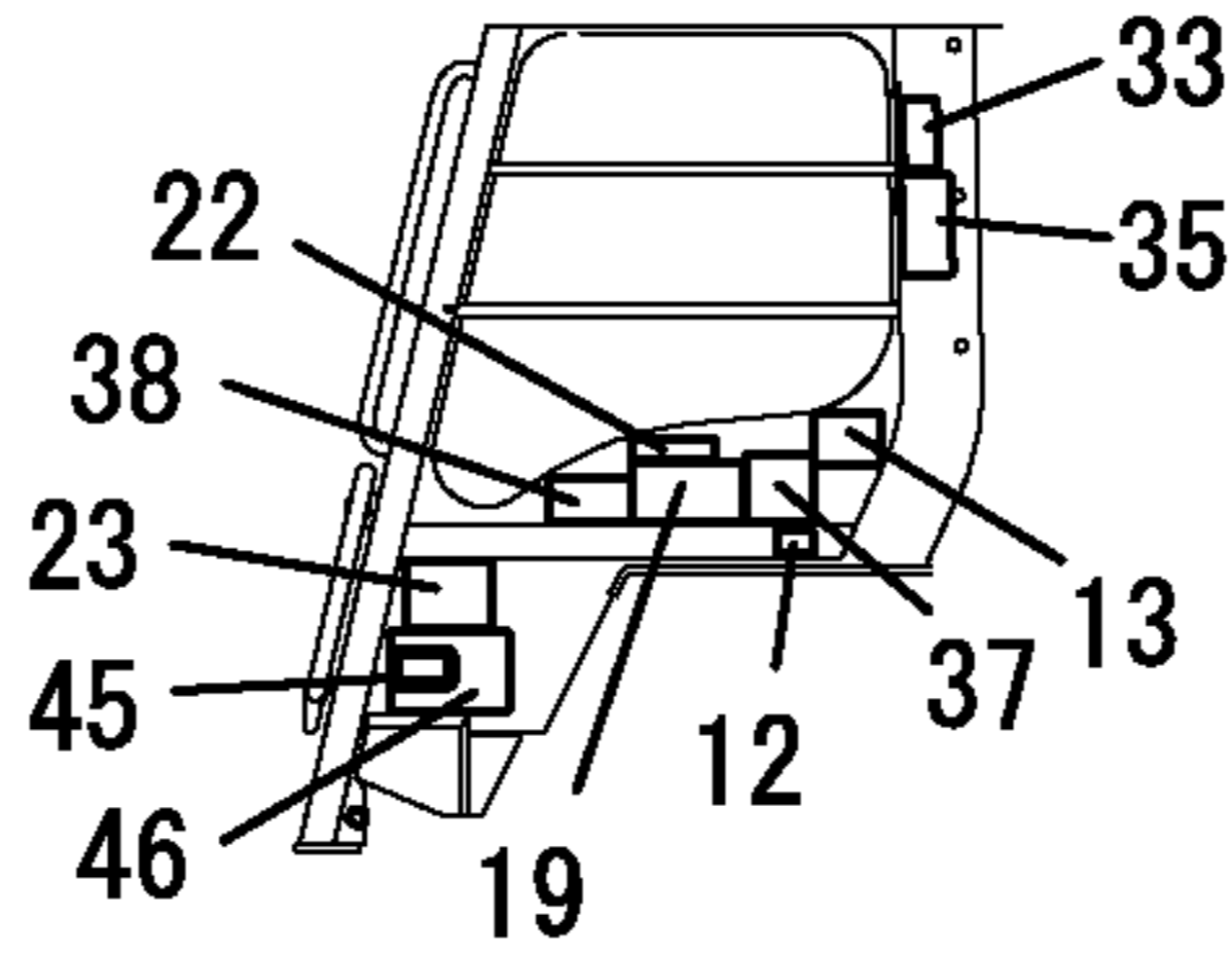
④カラ見ル  
VIEWED FROM ④



⑨カラ見ル  
VIEWED FROM ⑨

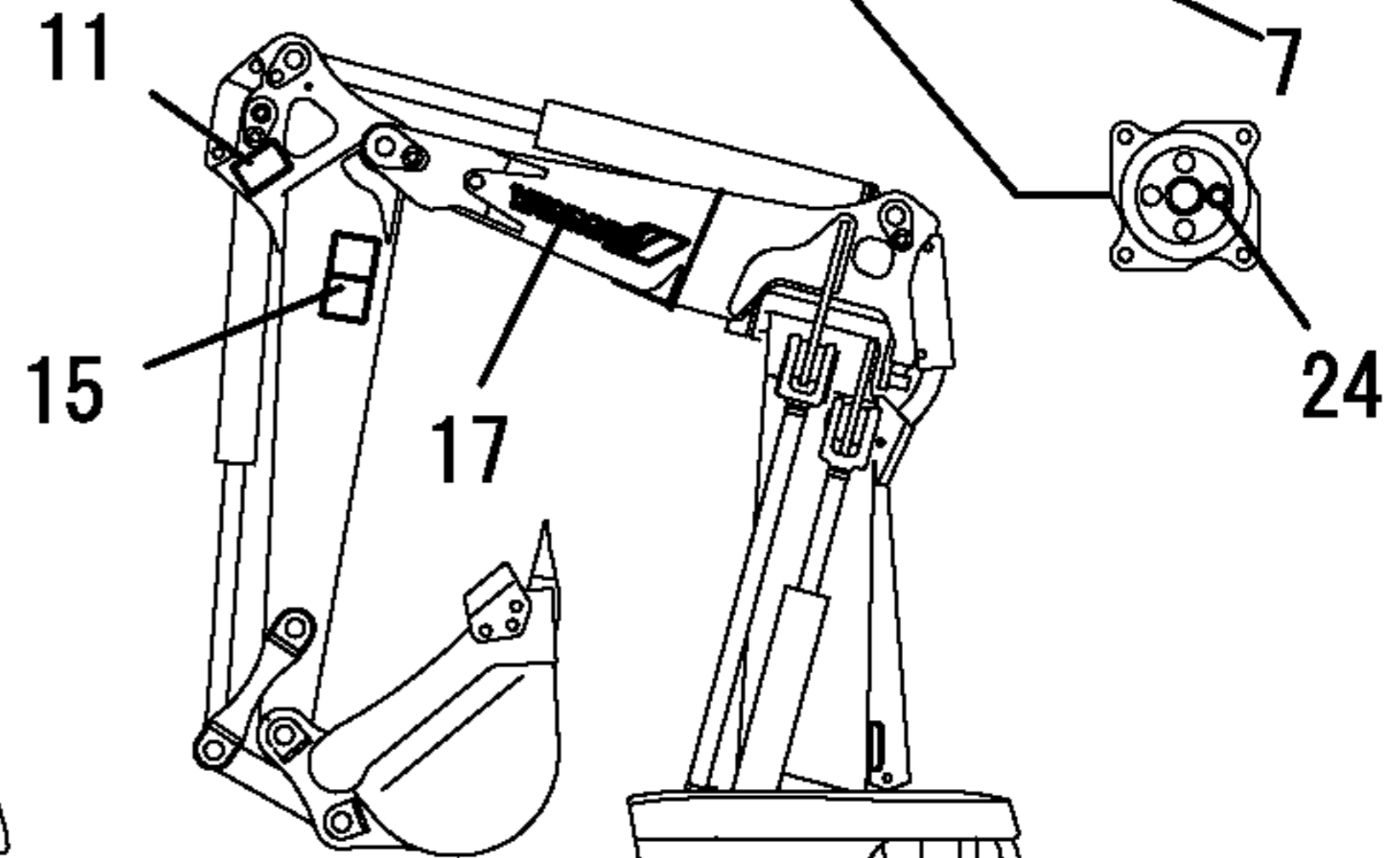
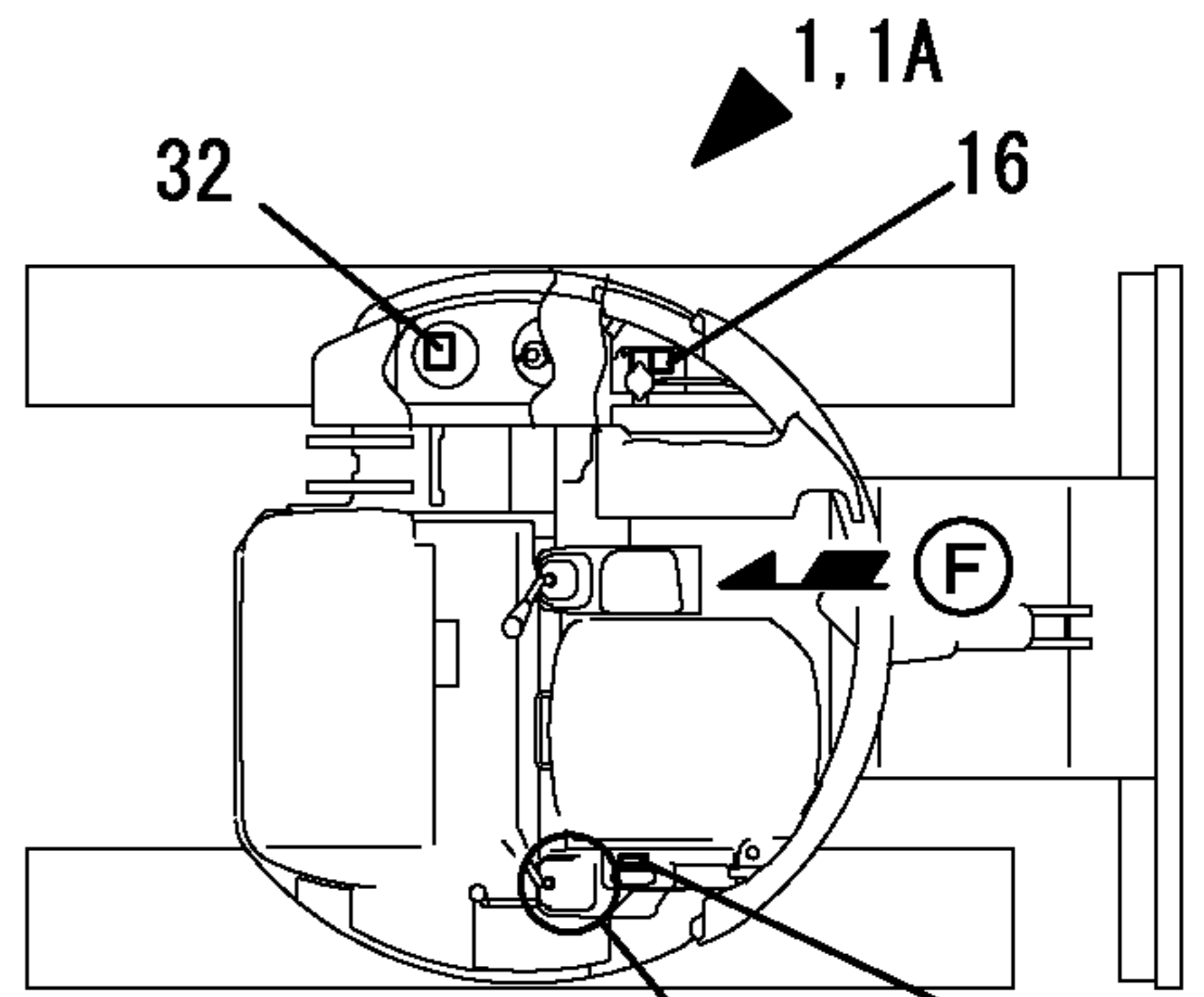


⑦カラ見ル  
VIEWED FROM ⑦

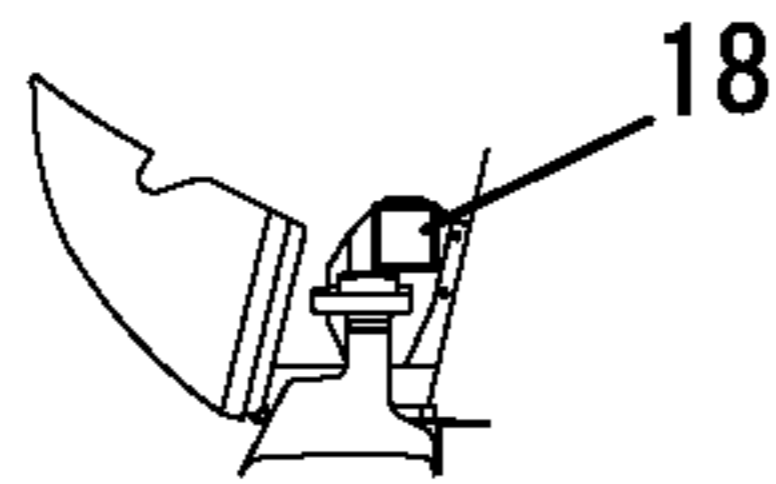


②カラ見ル  
VIEWED FROM ②

見出しNO. 1, 1Aは  
見出しNO. 2から44を含みます。  
1, 1A INC. 2~44.

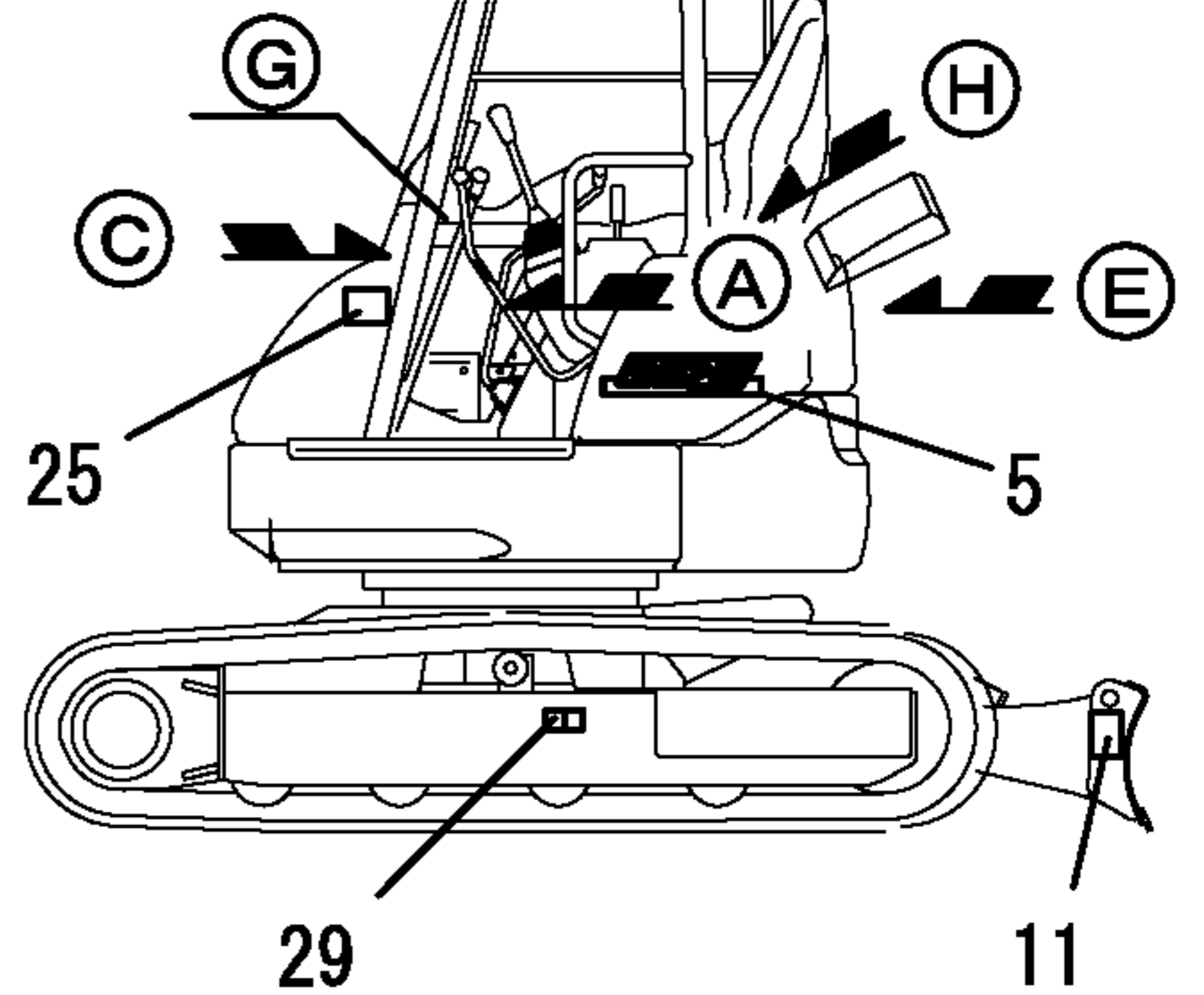
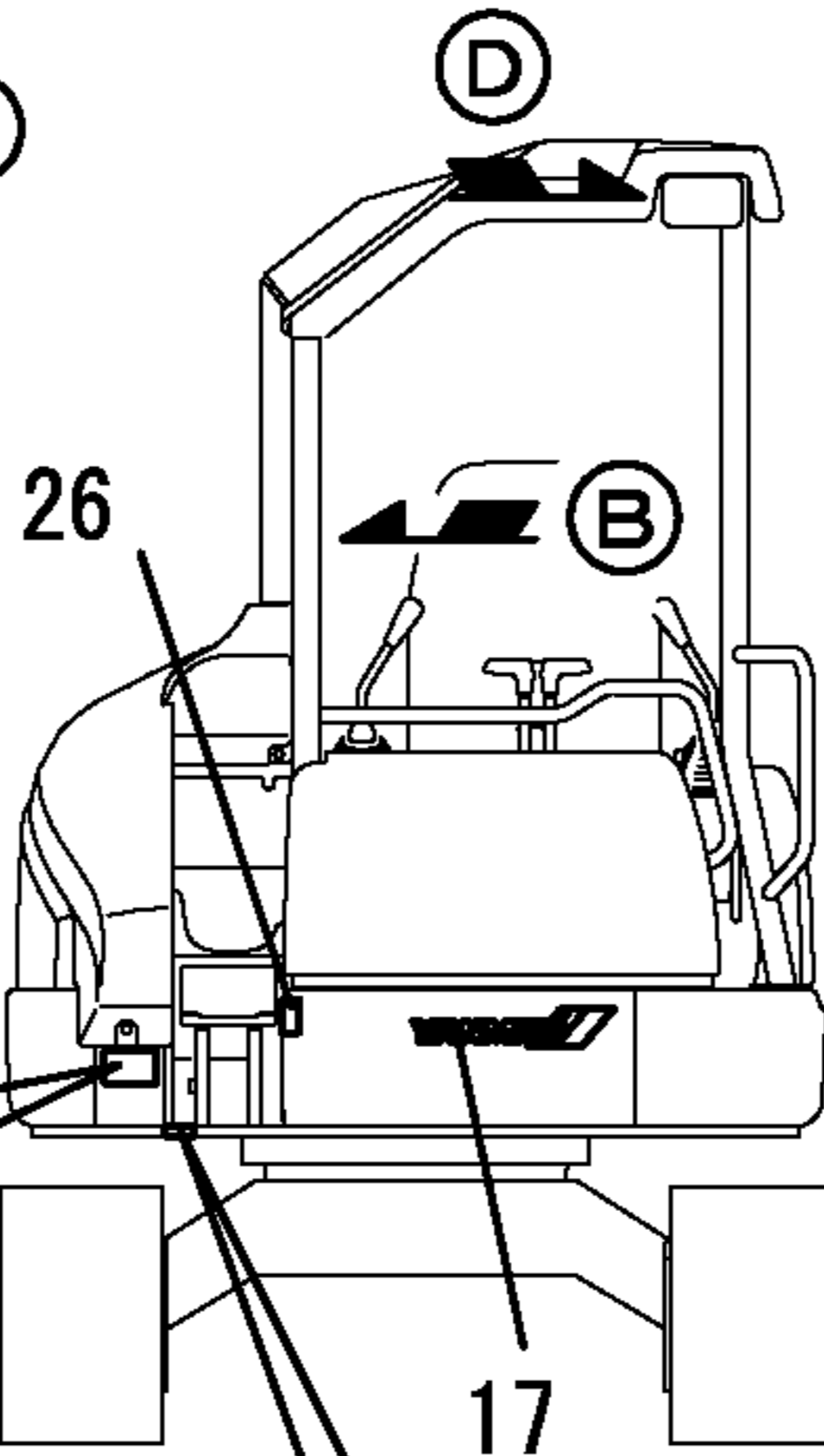


取説収納庫在中  
IN THE OPERATION  
MANUAL CASE

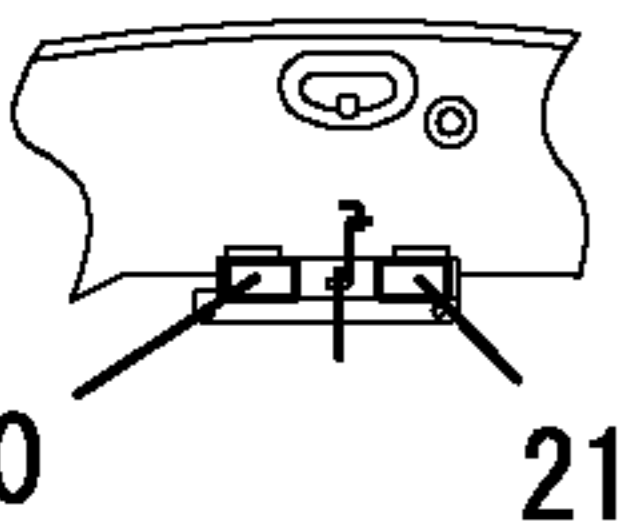


フロントカバー内  
FRONT COVER INSIDE

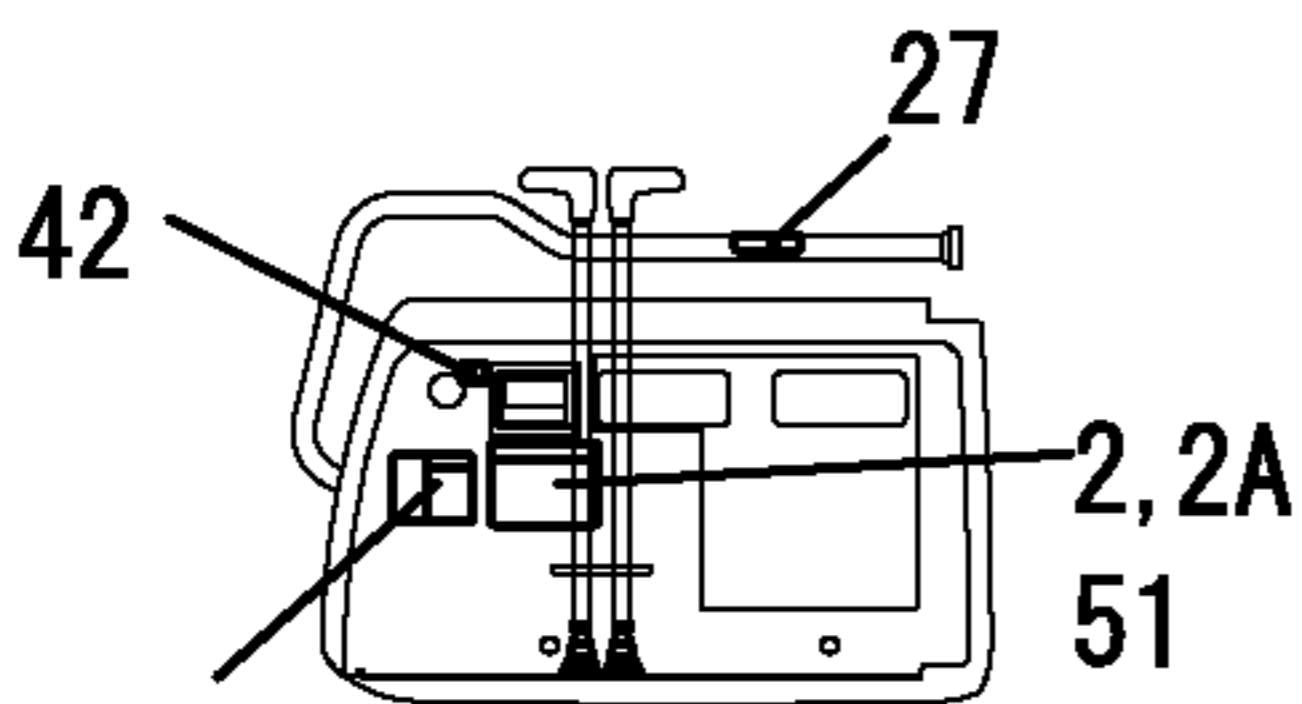
機体NO. 機関NO. 打刻位置  
MACHINE SERIAL NO.  
ENGINE NO. IS STAMPED  
INTO THIS LOCATION.



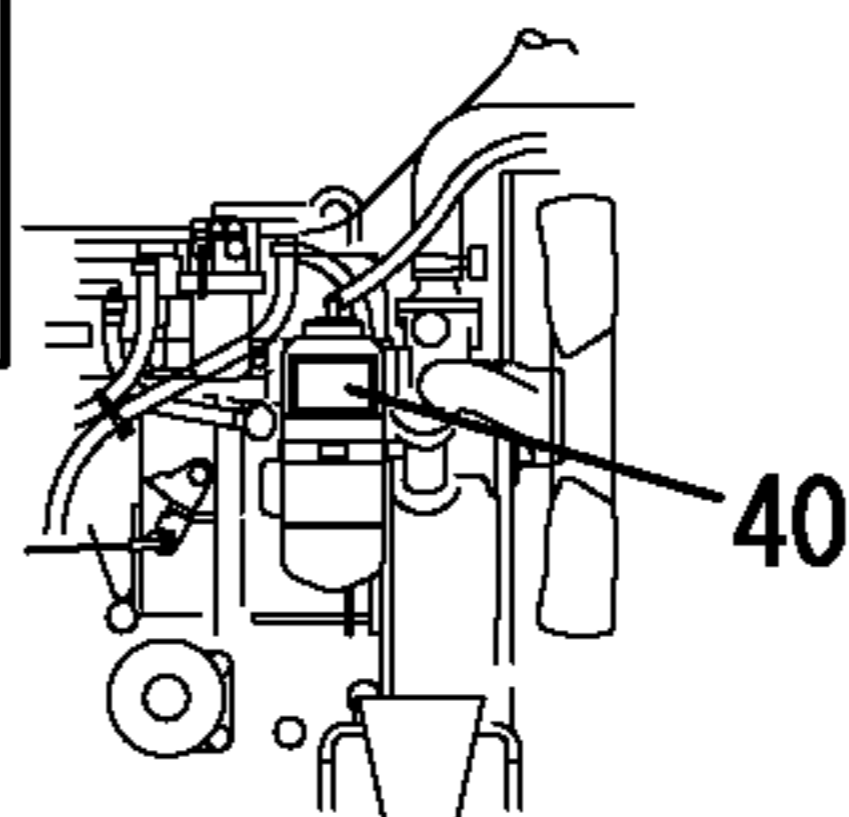
機体No. 打刻位置  
MACHINE SERIAL No.  
IS STAMPED INTO  
THIS LOCATION.



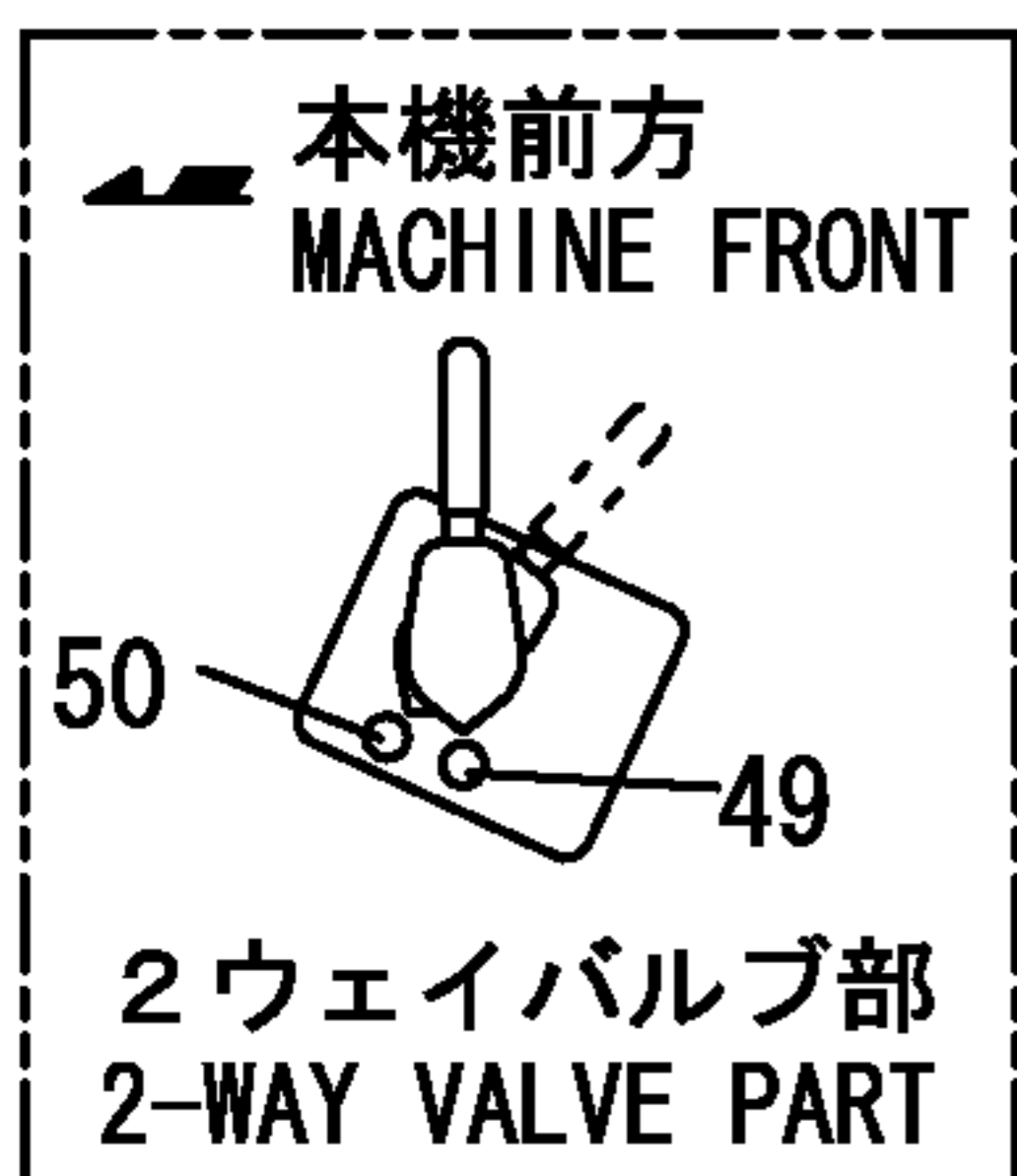
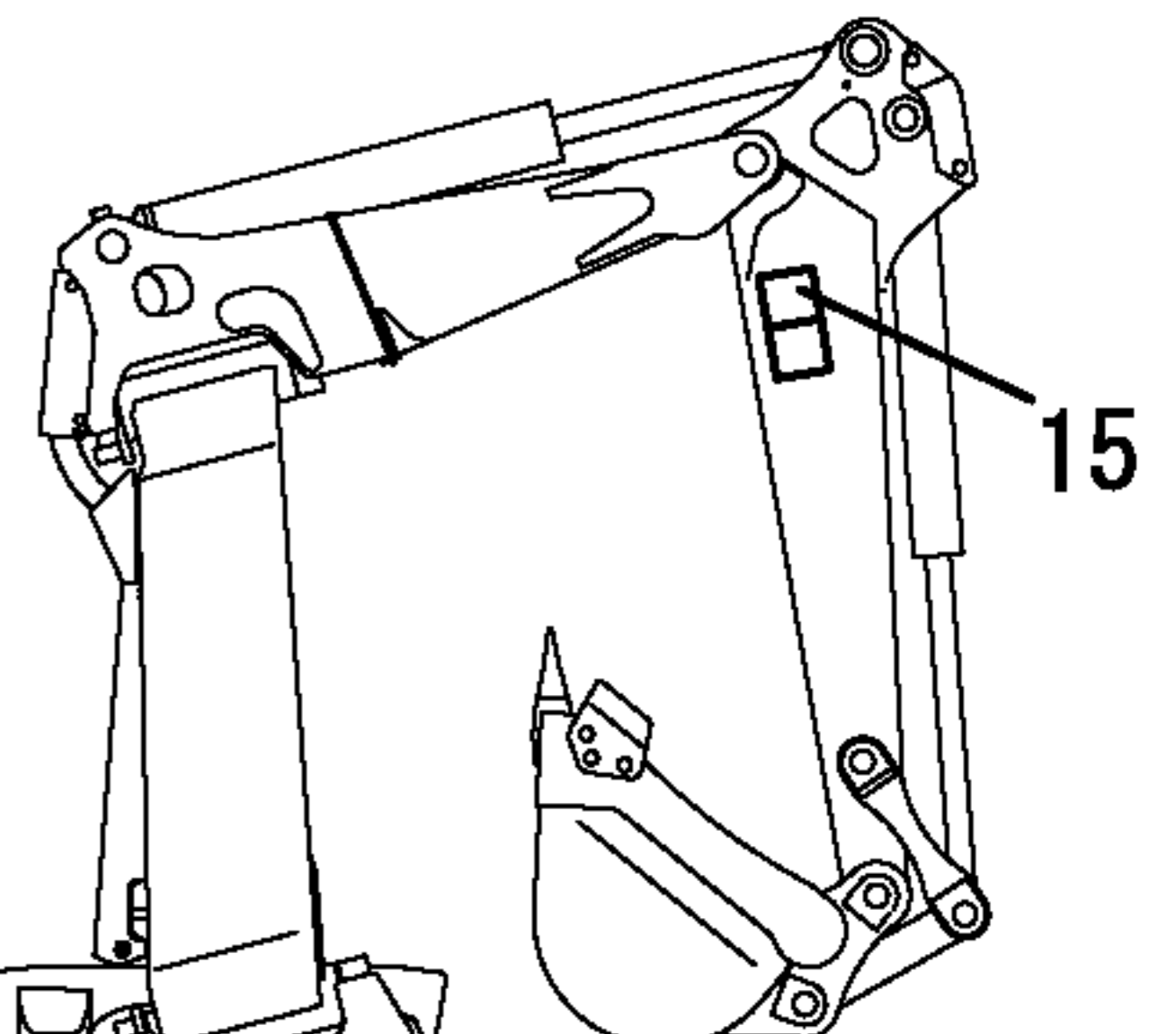
ボンネット内側詳細  
DETAILS OF  
BONNET INSIDE



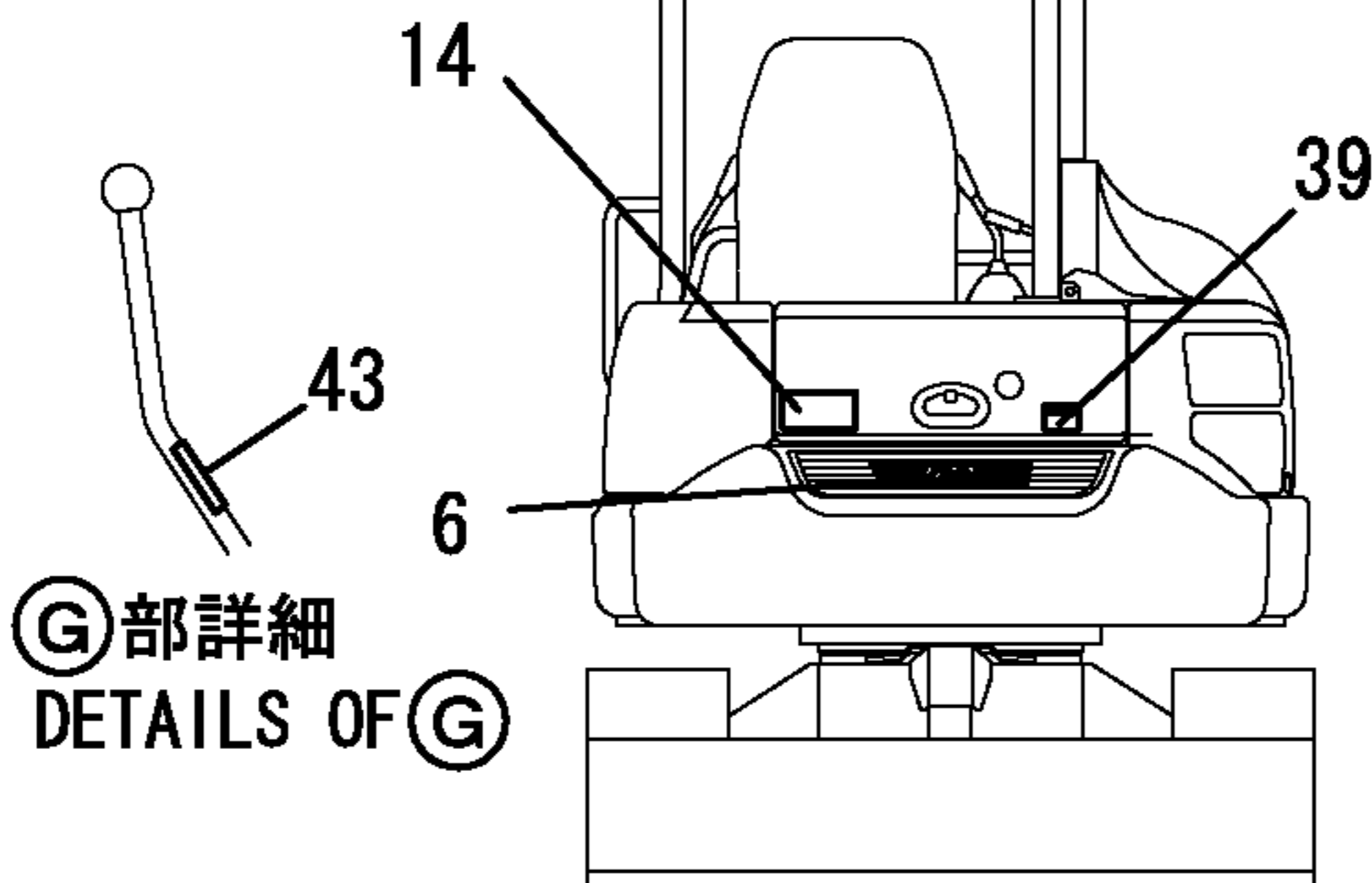
①カラ見ル  
VIEWED FROM ①



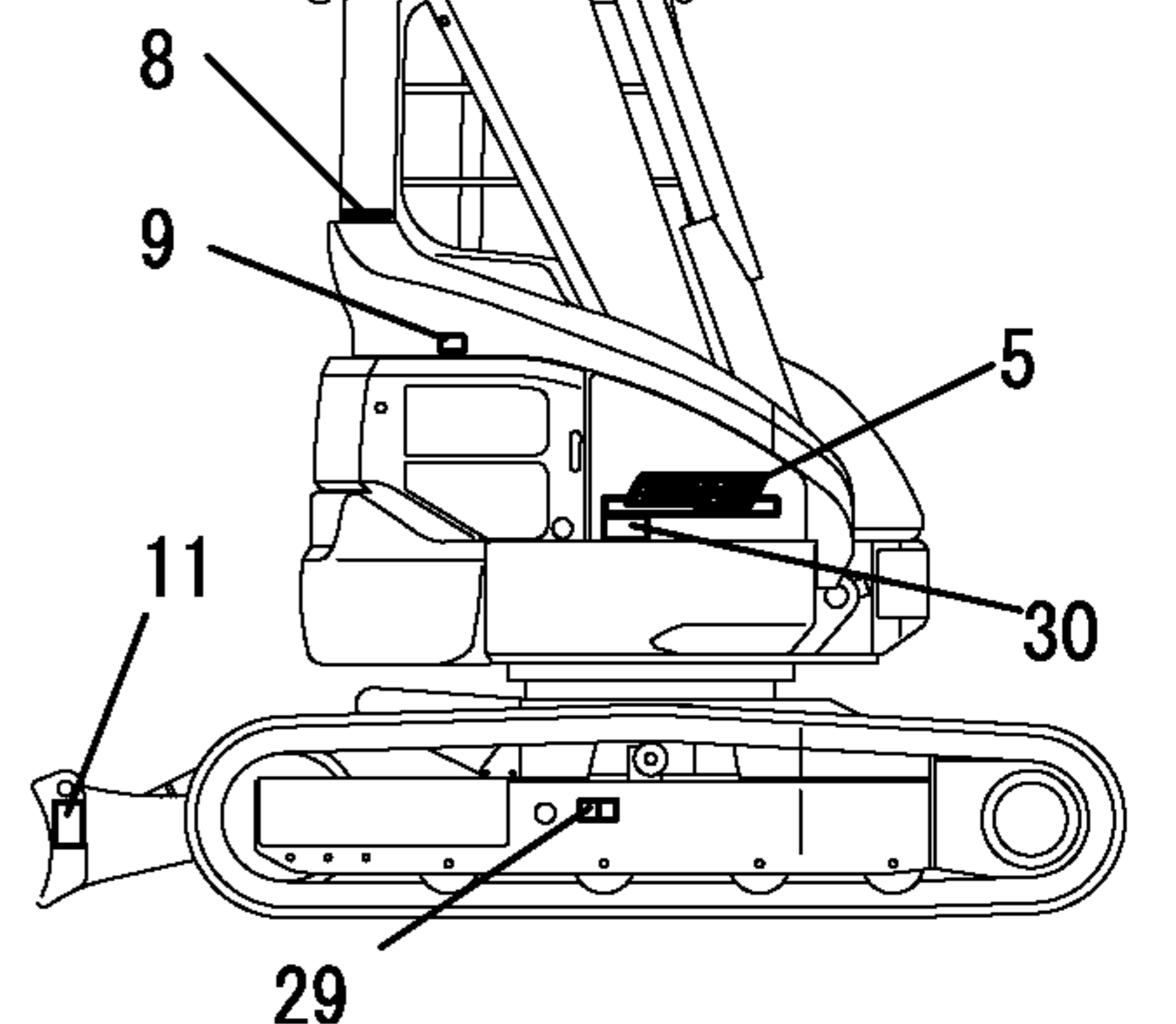
⑤カラ見ル  
VIEWED FROM ⑤



2ウェイバルブ部  
2-WAY VALVE PART

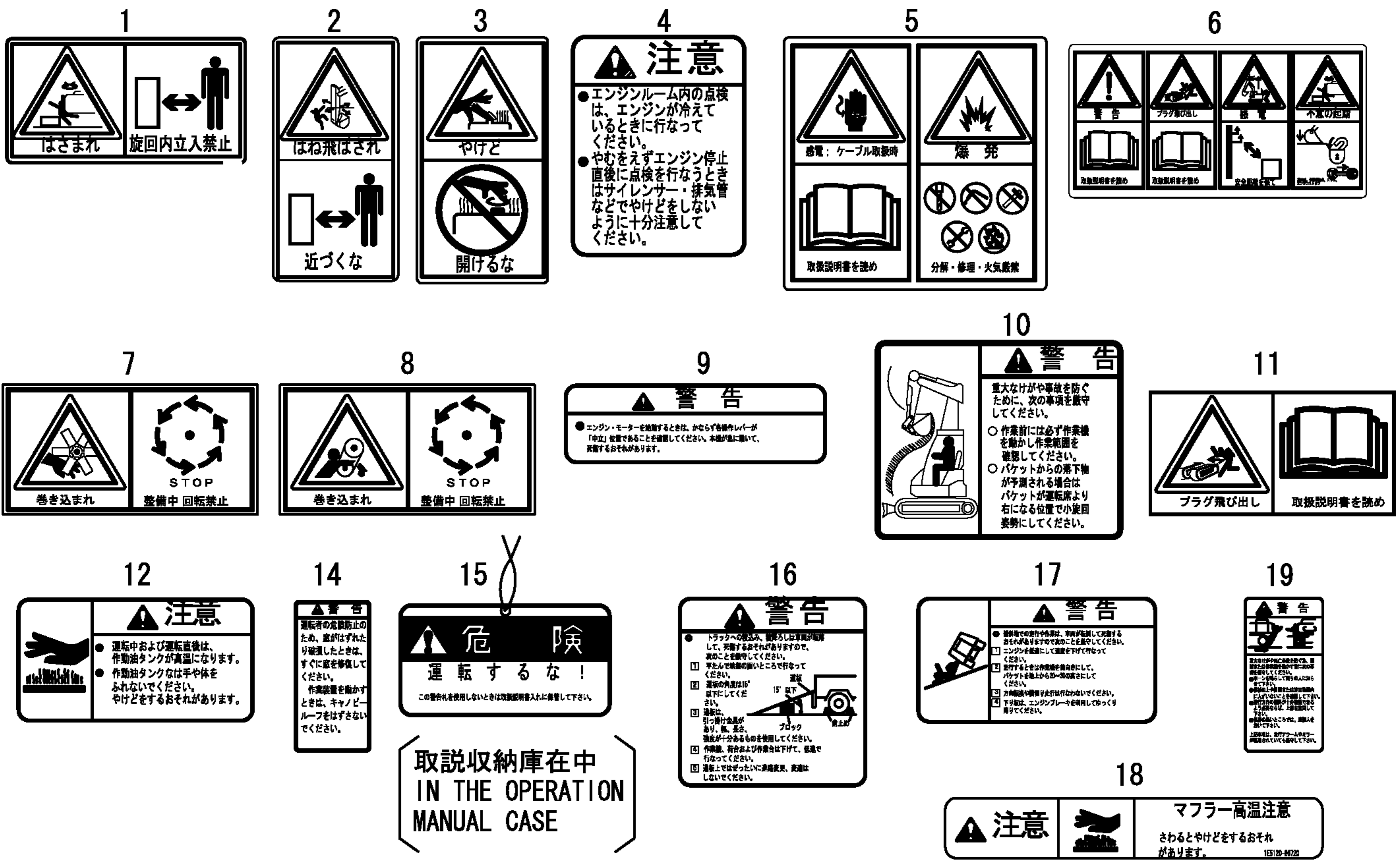


③部詳細  
DETAILS OF ③

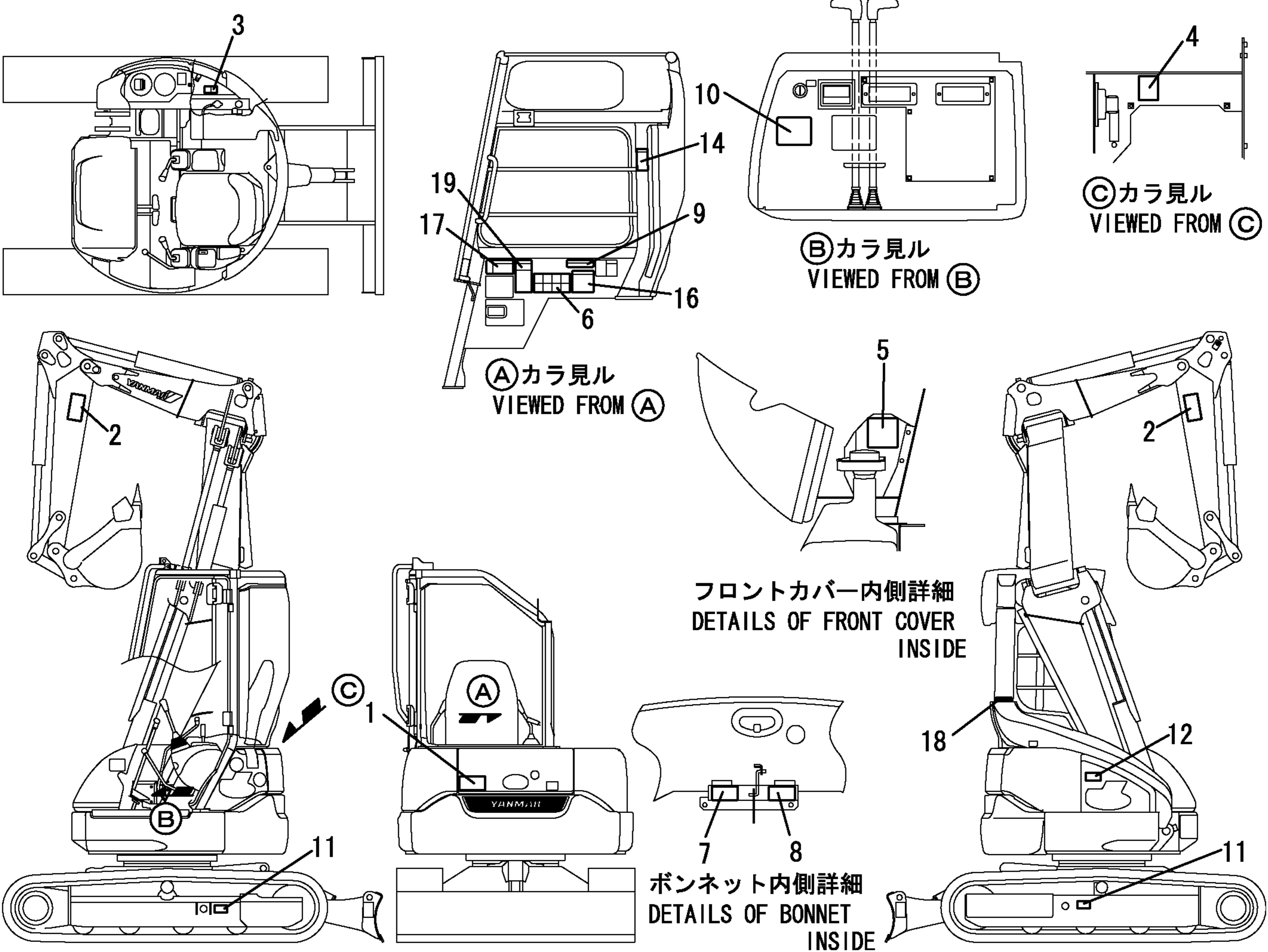


1,1,,172444-03170,,LABEL,,,1,,,,,,,,,,,,,,,,,,,,,I  
2,1,,172444-03180,,LABEL,,,2,,,,,,,,,,,,,,,,,,,,,I  
3,1,,172444-03190,,LABEL,,,1,,,,,,,,,,,,,,,,,,,,,I  
4,1,,172141-03202,, "LABEL,CAUTION" ,,,1,,,,,,,,,,,,,,,,,,,,,I  
5,1,,172444-03200,, "LABEL,BATTERY" ,,,1,,,,,,,,,,,,,,,,,,,,,I  
6,1,,172444-03210,,LABEL,,,1,,,,,,,,,,,,,,,,,,,,,I  
7,1,,172444-03220,,LABEL,,,1,,,,,,,,,,,,,,,,,,,,,I  
8,1,,172444-03230,,LABEL,,,1,,,,,,,,,,,,,,,,,,,,,I  
9,1,,172444-03240,,LABEL,,,1,,,,,,,,,,,,,,,,,,,,,I  
10,1,,172444-03270,, "LABEL,WARNING" ,,,1,,,,,,,,,,,,,,,,,,,,,I  
11,1,,172444-03280,,LABEL,,,2,,,,,,,,,,,,,,,,,,,,,I  
12,1,,172142-03302,, "LABEL,CAUTION" ,,,1,,,,,,,,,,,,,,,,,,,,,I  
14,1,,172162-03351,,LABEL,,,1,,,,,,,,,,,,,,,,,,,,,I  
15,1,,172964-03481,, "LABEL,DANGER" ,,,1,,,,,,,,,,,,,,,,,,,,,I  
16,1,,172164-03510,, "LABEL,LOADING" ,,,1,,,,,,,,,,,,,,,,,,,,,I  
17,1,,172164-03540,,LABEL,,,1,,,,,,,,,,,,,,,,,,,,,I  
18,1,,1E5120-86720,, "CAUTION,MUFFLER" ,,,1,,,,,,,,,,,,,,,,,,,,,I  
19,1,,172964-03370,,LABEL,,,1,,,,,,,,,,,,,,,,,,,,,I



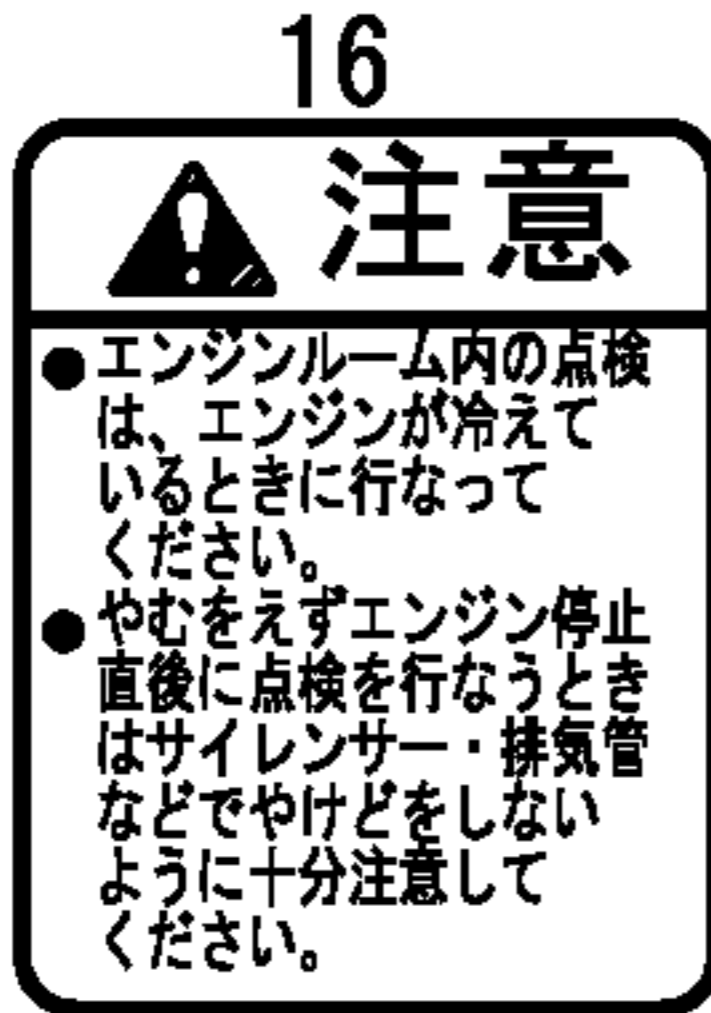
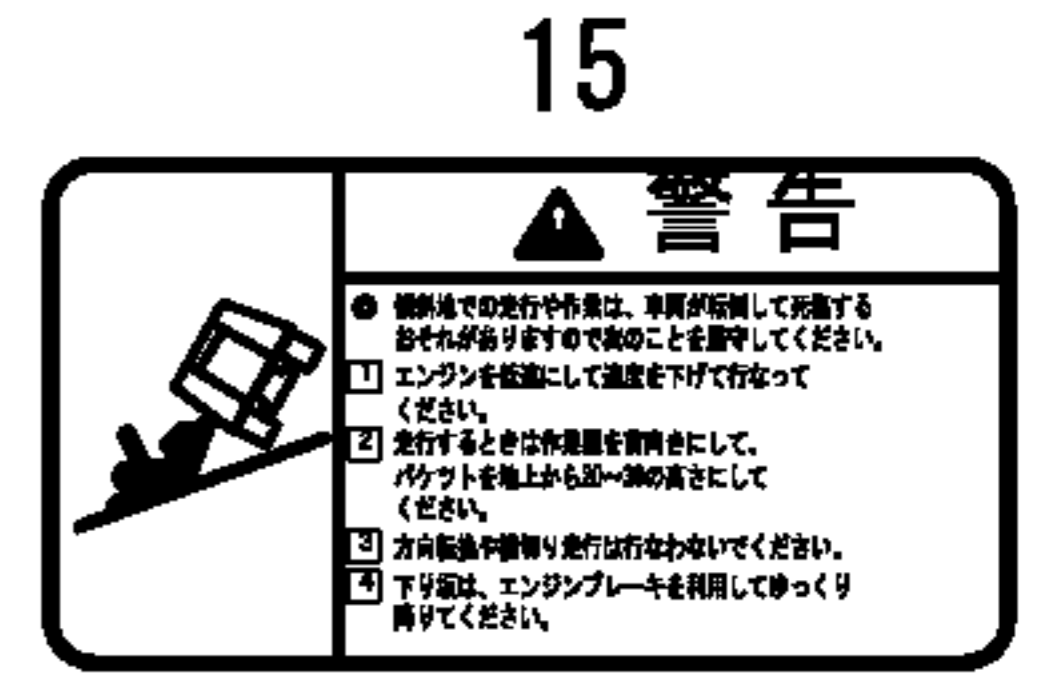
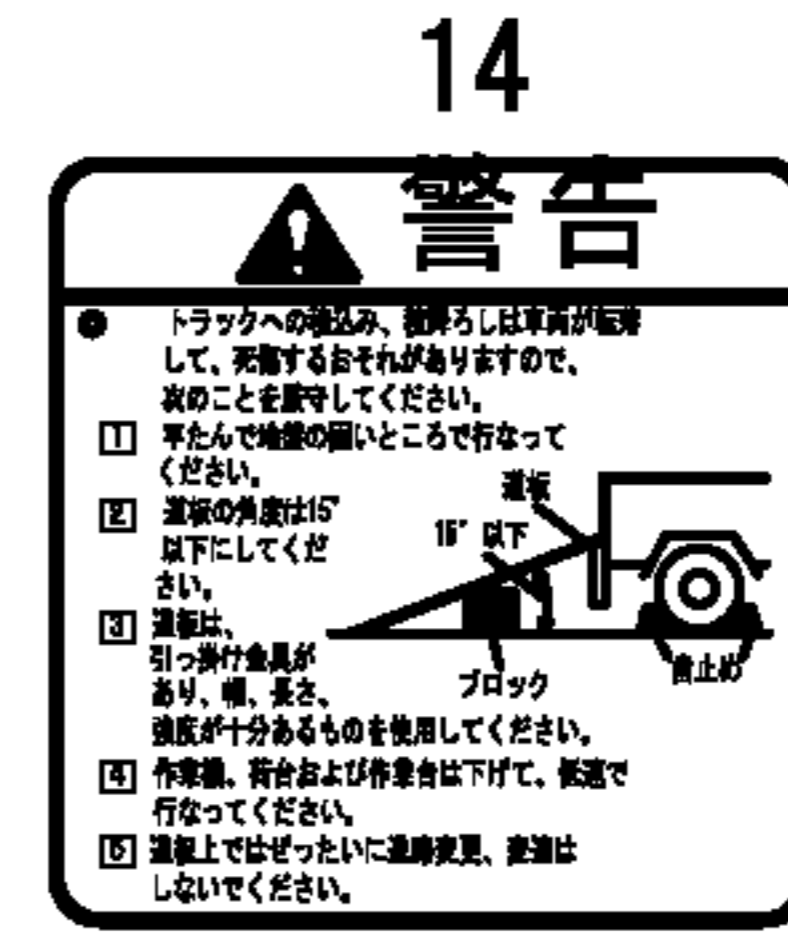
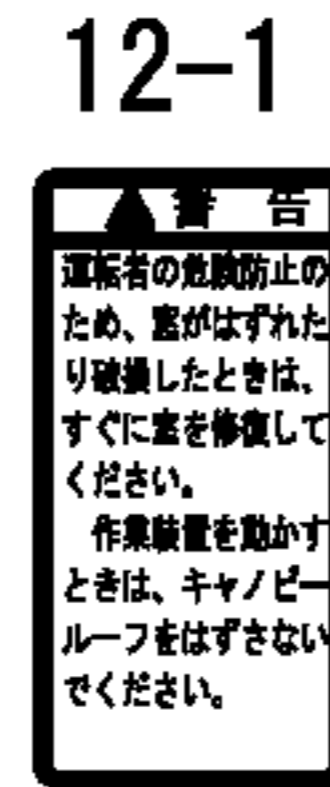
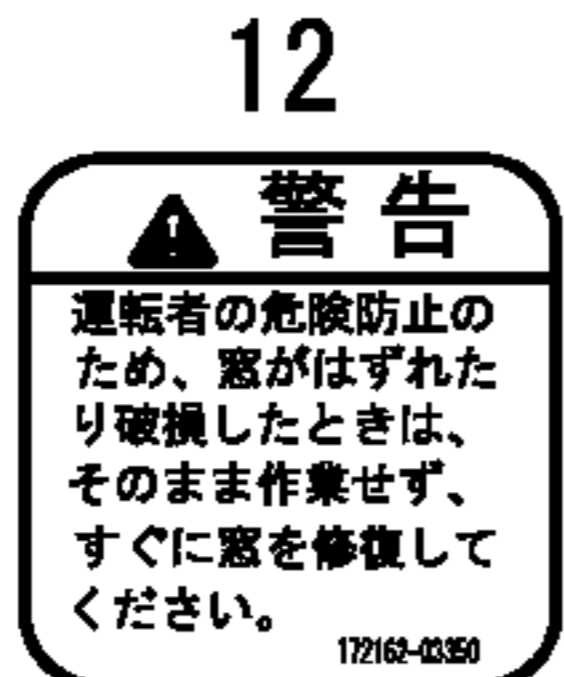
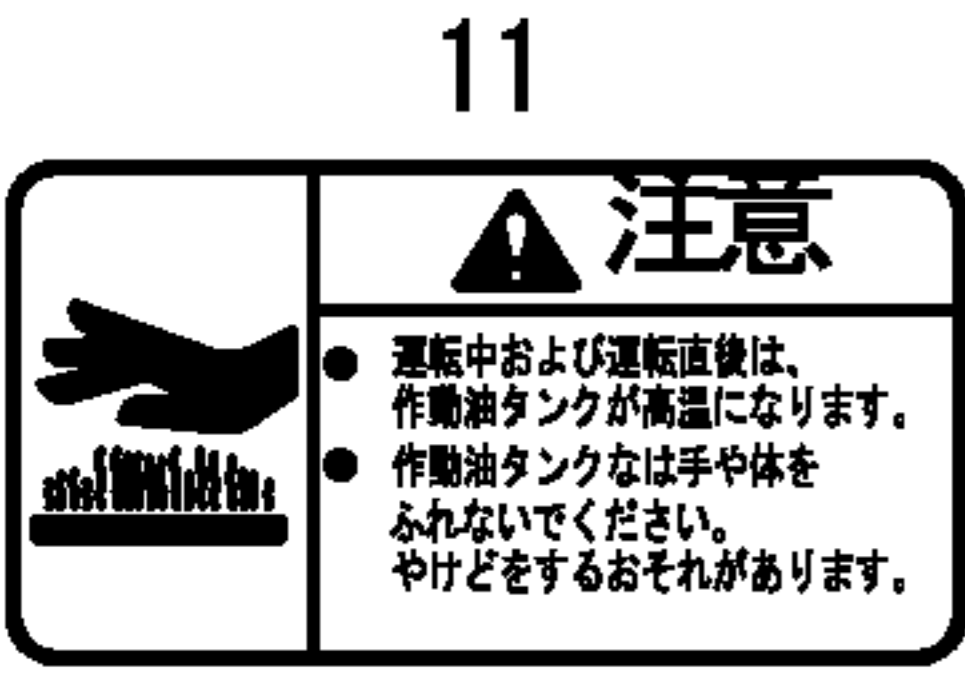
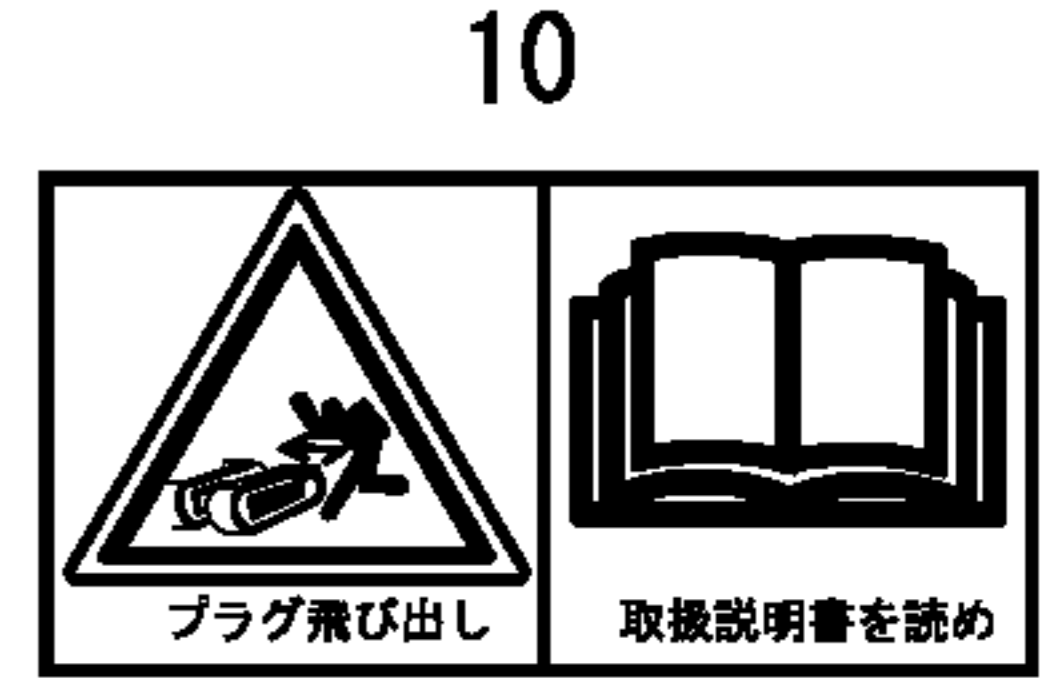
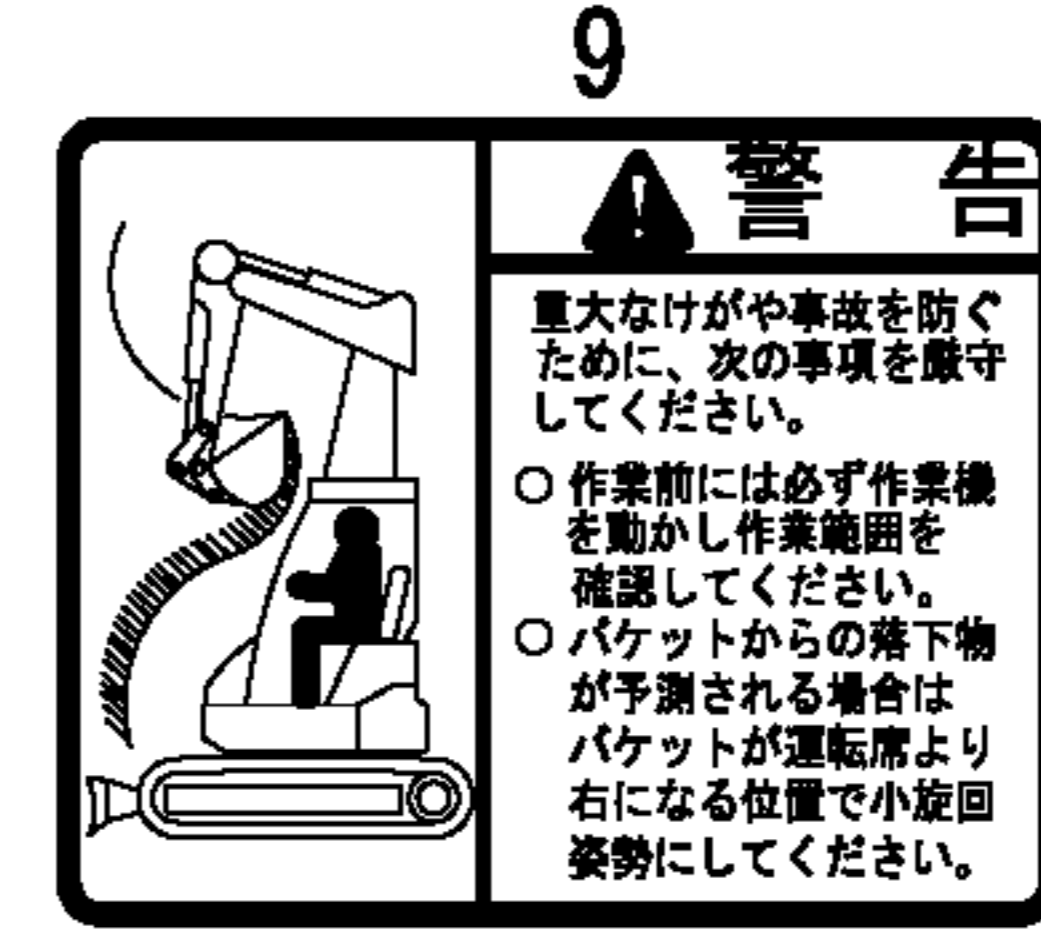
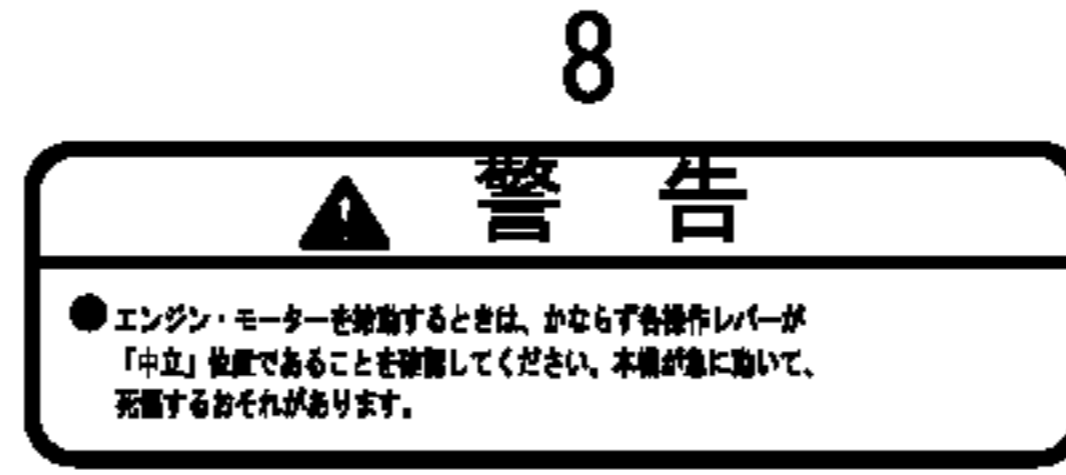
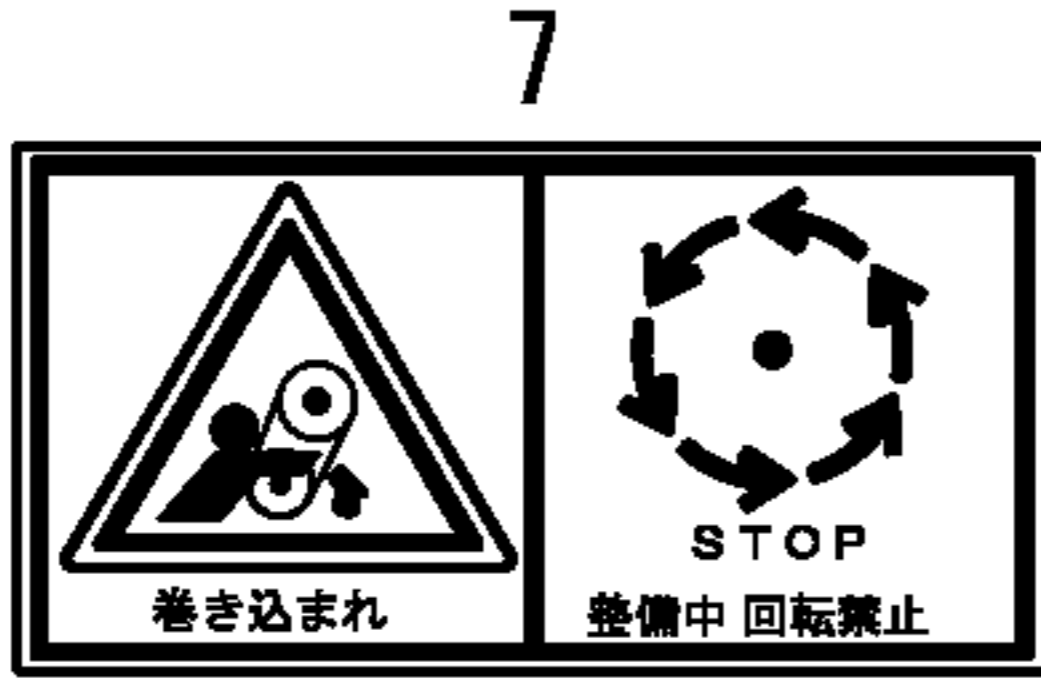
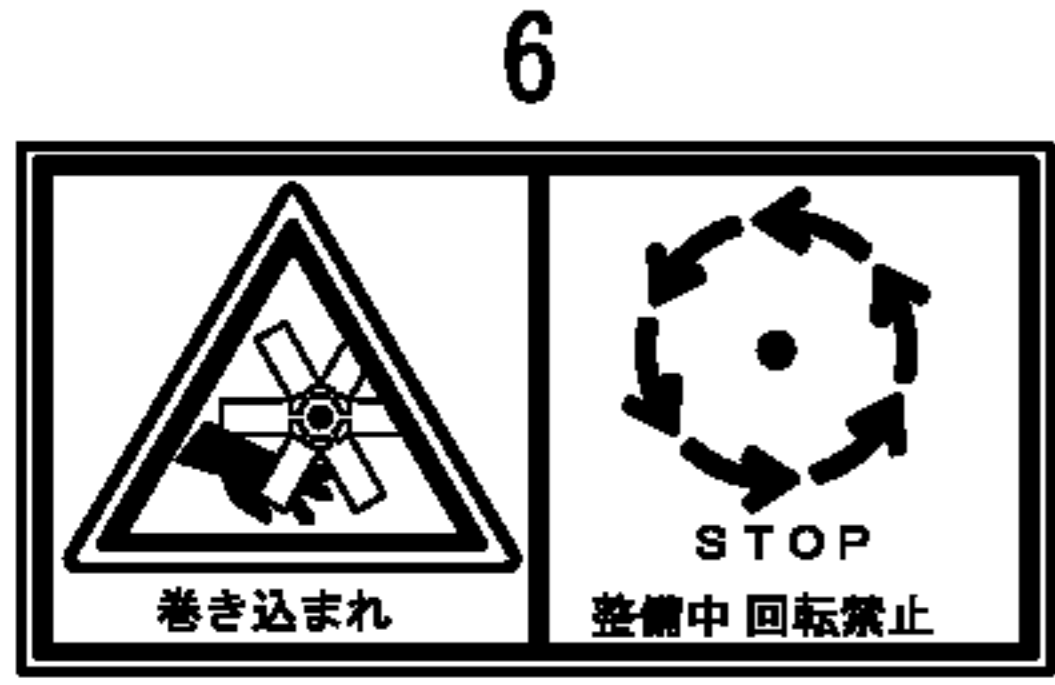
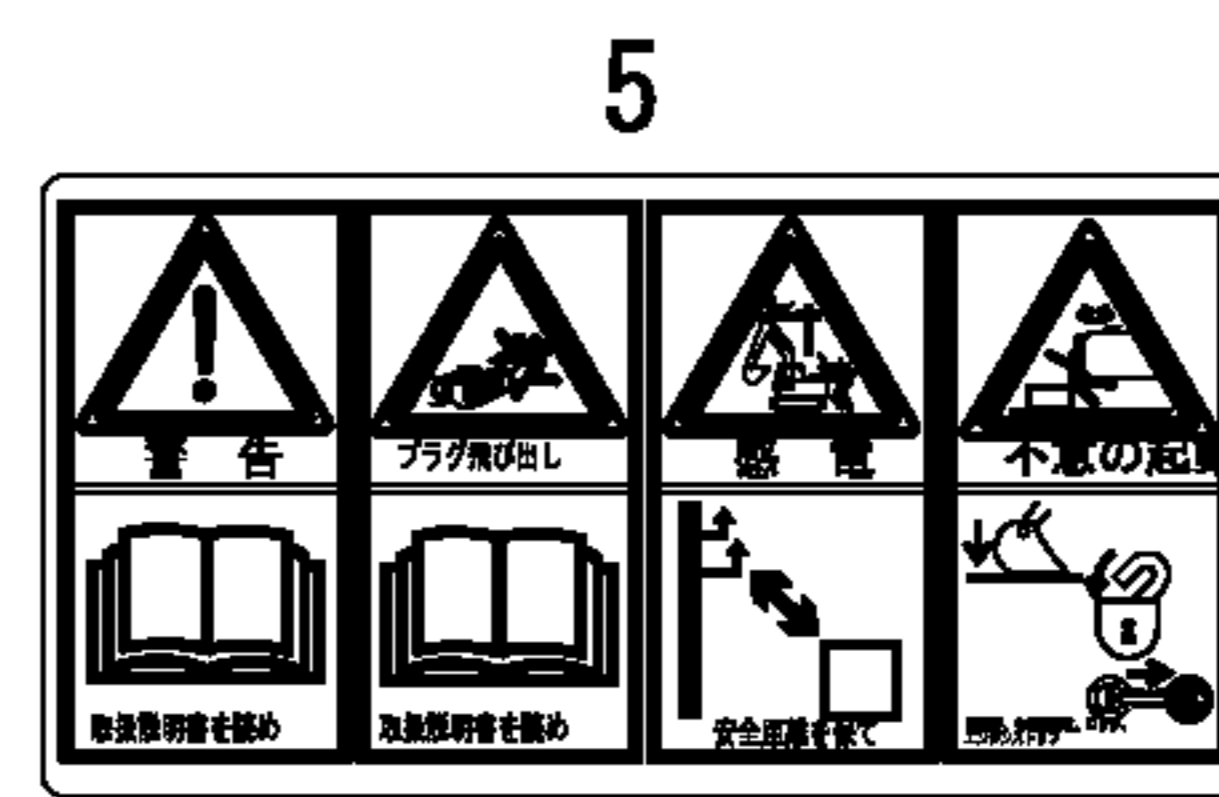
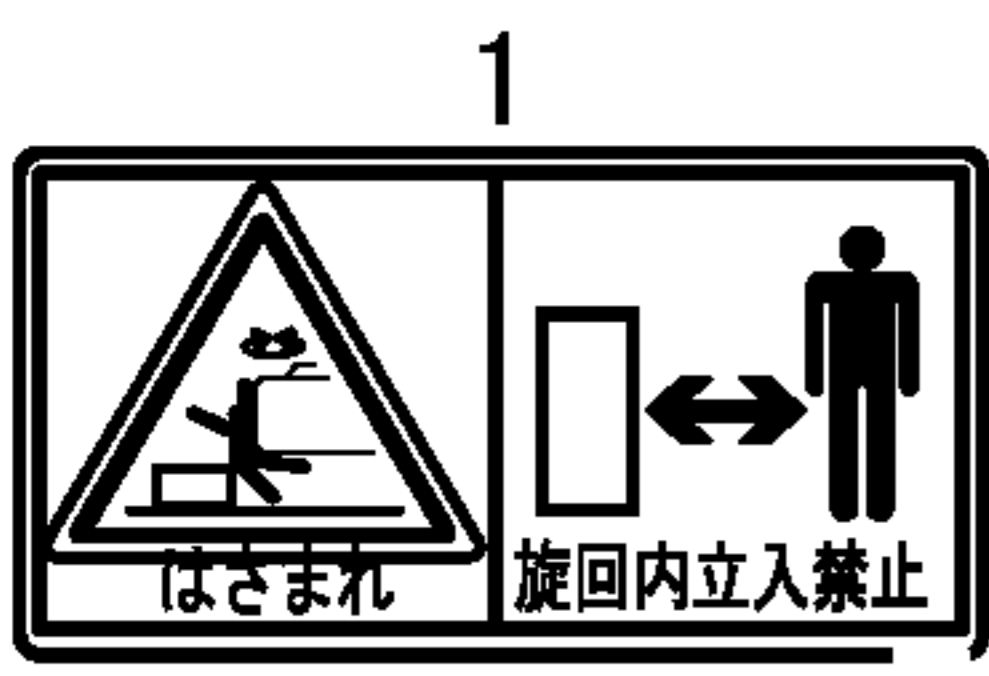


取説収納庫在中  
IN THE OPERATION  
MANUAL CASE



1,1,,172444-03170,,LABEL,1,1,,,,,,,,,,,,,  
2,1,,172444-03180,,LABEL,2,2,,,,,,,,,,,,,  
3,1,,172444-03190,,LABEL,1,1,,,,,,,,,,,,,  
4,1,,172444-03200,, "LABEL,BATTERY",1,1,,,,,,,,,,,,,  
5,1,,172444-03210,,LABEL,1,1,,,,,,,,,,,,,  
6,1,,172444-03220,,LABEL,1,1,,,,,,,,,,,,,  
7,1,,172444-03230,,LABEL,1,1,,,,,,,,,,,,,  
8,1,,172444-03240,,LABEL,1,1,,,,,,,,,,,,,  
9,1,,172444-03270,, "LABEL,WARNING",1,1,,,,,,,,,,,,,  
10,1,,172444-03280,,LABEL,2,2,,,,,,,,,,,,,  
11,1,,172142-03302,, "LABEL,CAUTION",1,1,,,,,,,,,,,,,  
12,1,,172162-03350,,LABEL,1,1,,,,,,,,,,,,,  
12-1,1,,172162-03351,,LABEL,,1,,,,,N,,,,72487088,M/#36694,,,,,,,,,I  
13,1,,172964-03481,, "LABEL,DANGER",1,1,,,,,,,,,,,,,  
14,1,,172164-03510,, "LABEL,LOADING",1,1,,,,,,,,,,,,,  
15,1,,172164-03540,,LABEL,1,1,,,,,,,,,,,,,  
16,1,,172141-03202,, "LABEL,CAUTION",1,1,,,,,,,,,,,,,  
17,1,,1E5120-86720,, "CAUTION,MUFFLER",1,1,,,,,,,,,,,,,  
18,1,,172444-03330,,LABEL,1,1,,,,,W,,72444298,M/#30820,,,,,,,,,  
19,1,,172964-03370,,LABEL,1,1,,,,,,,,,,,,,I

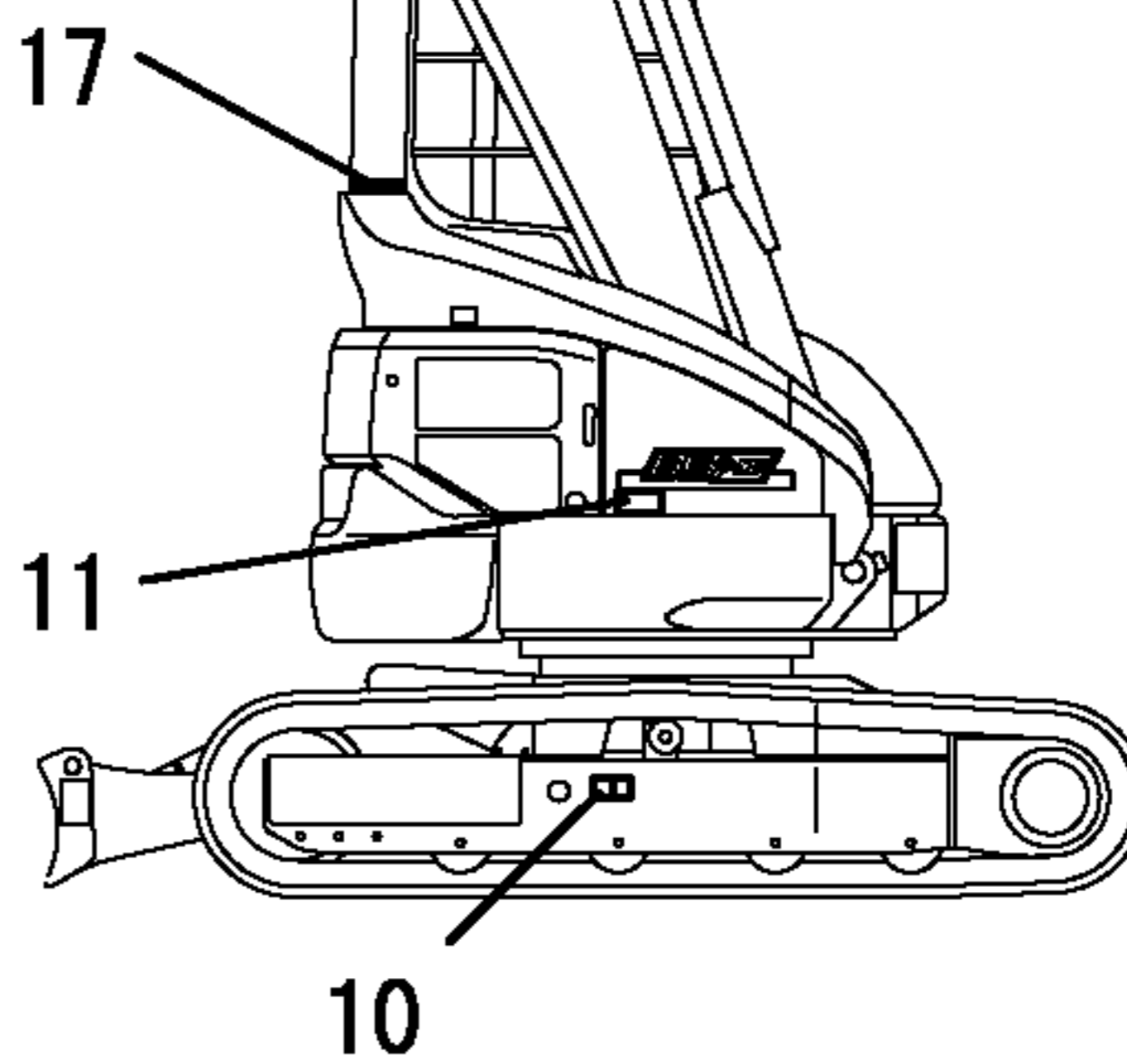
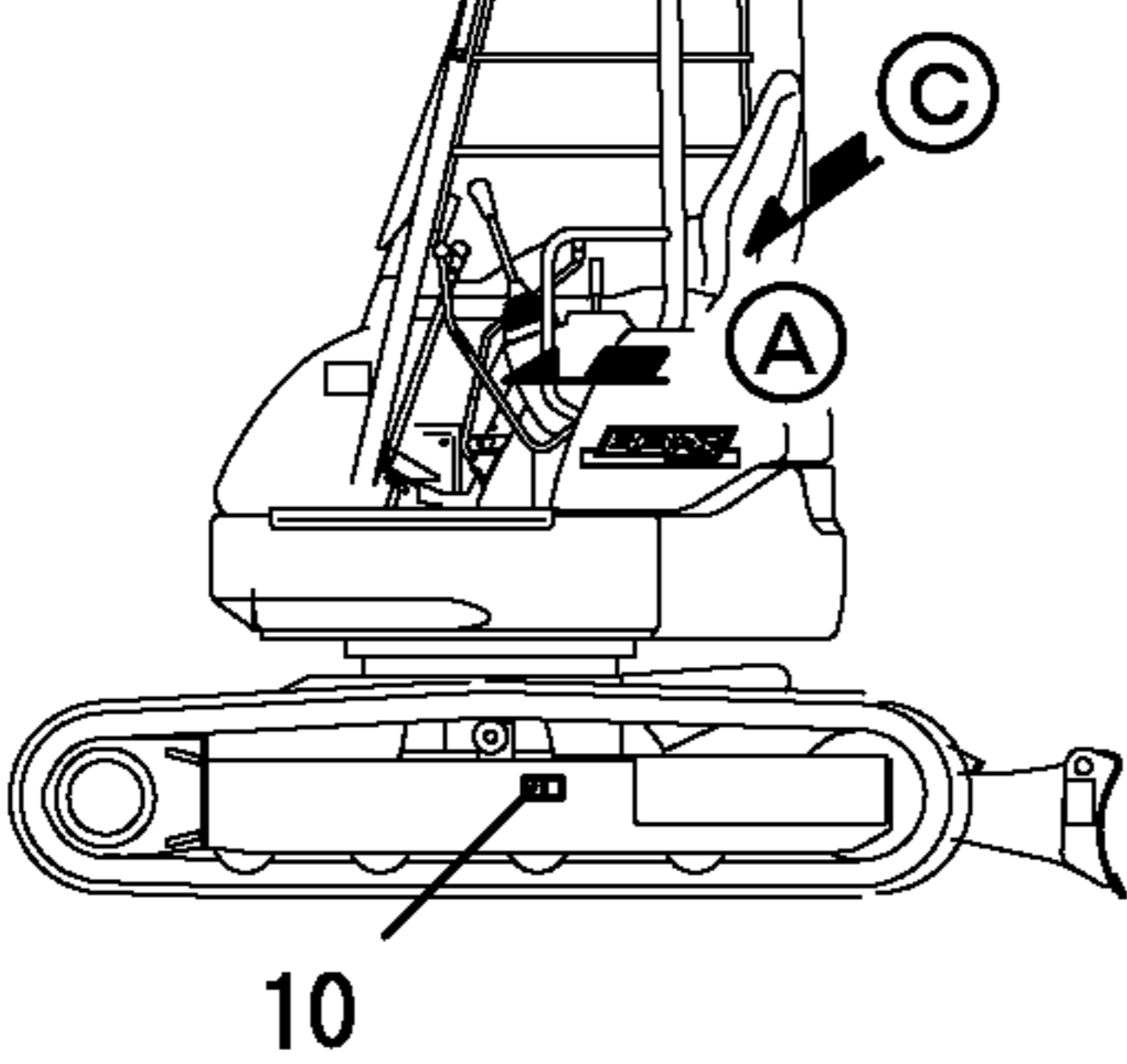
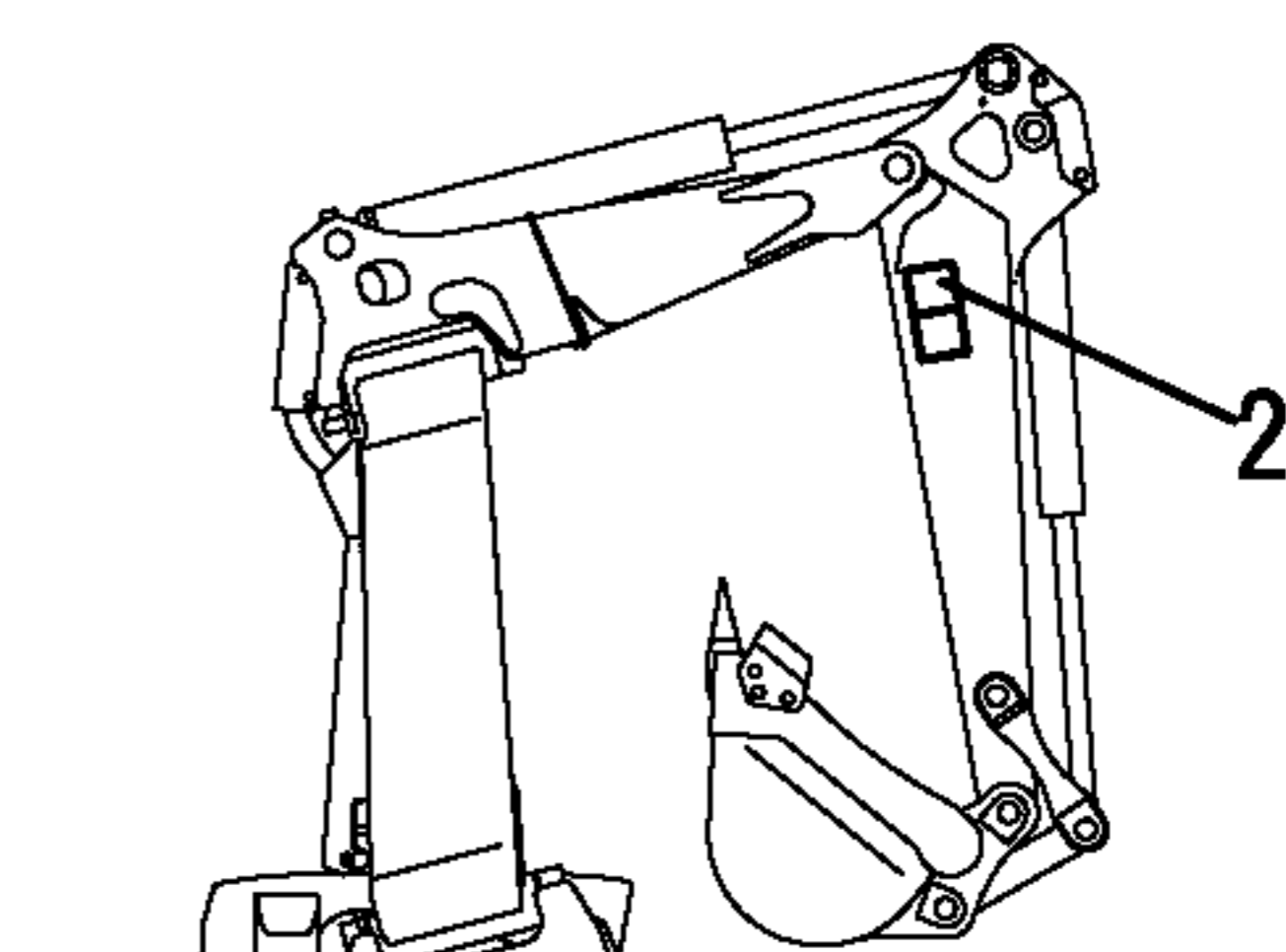
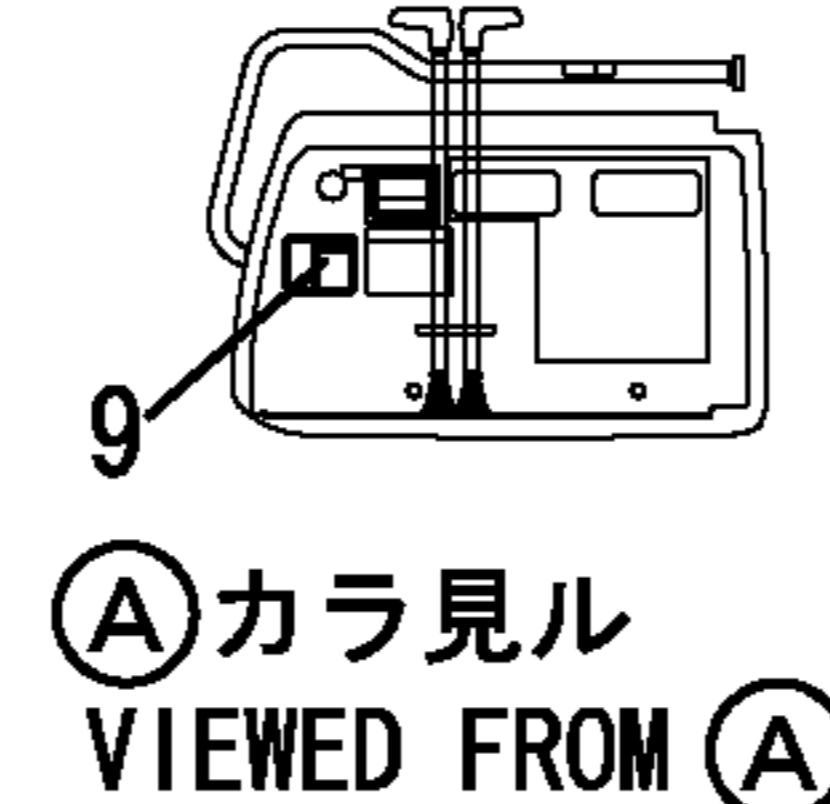
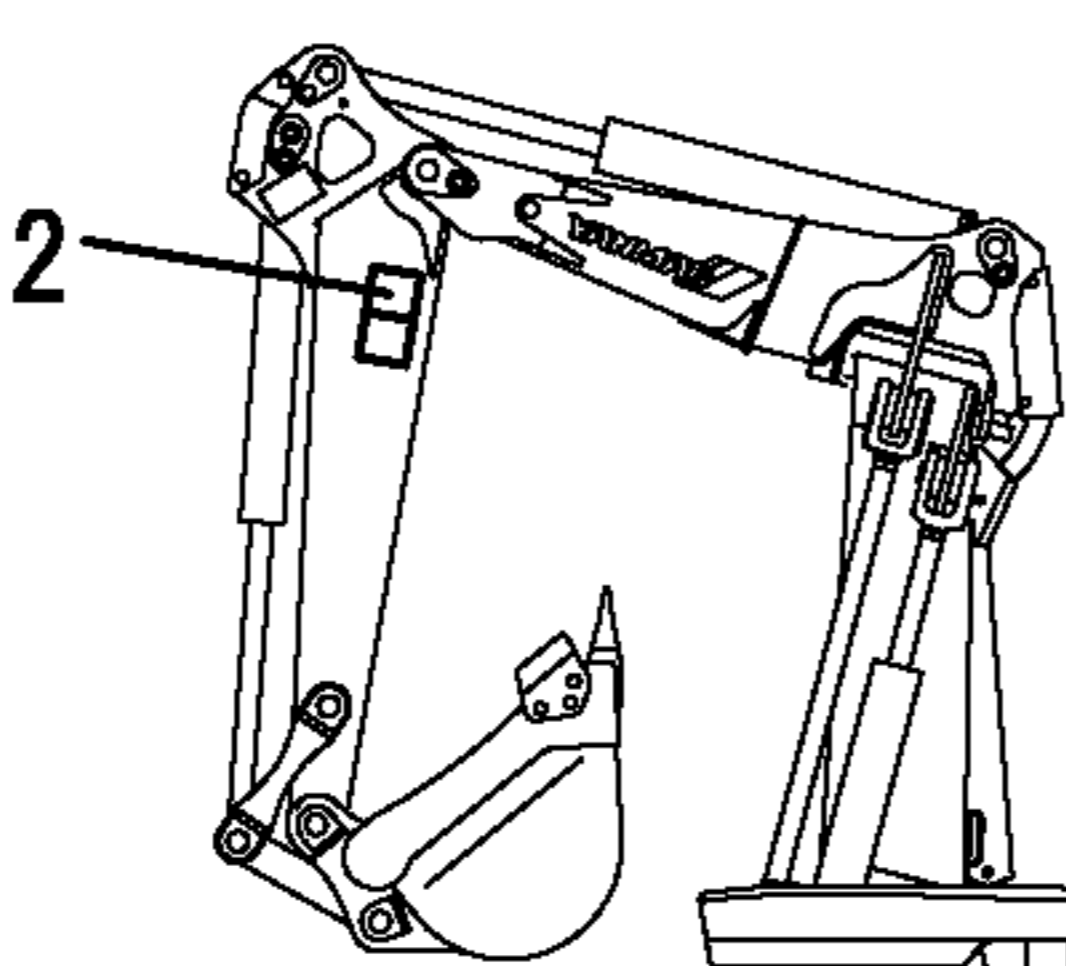
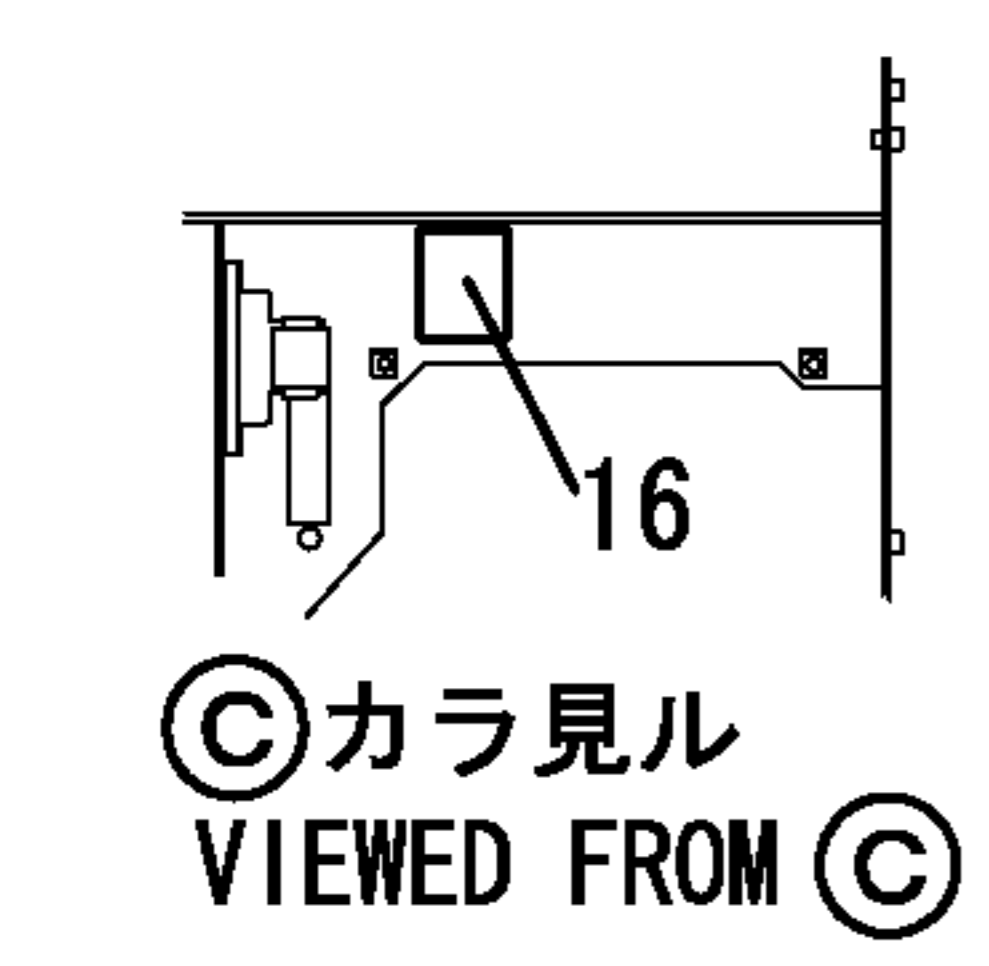
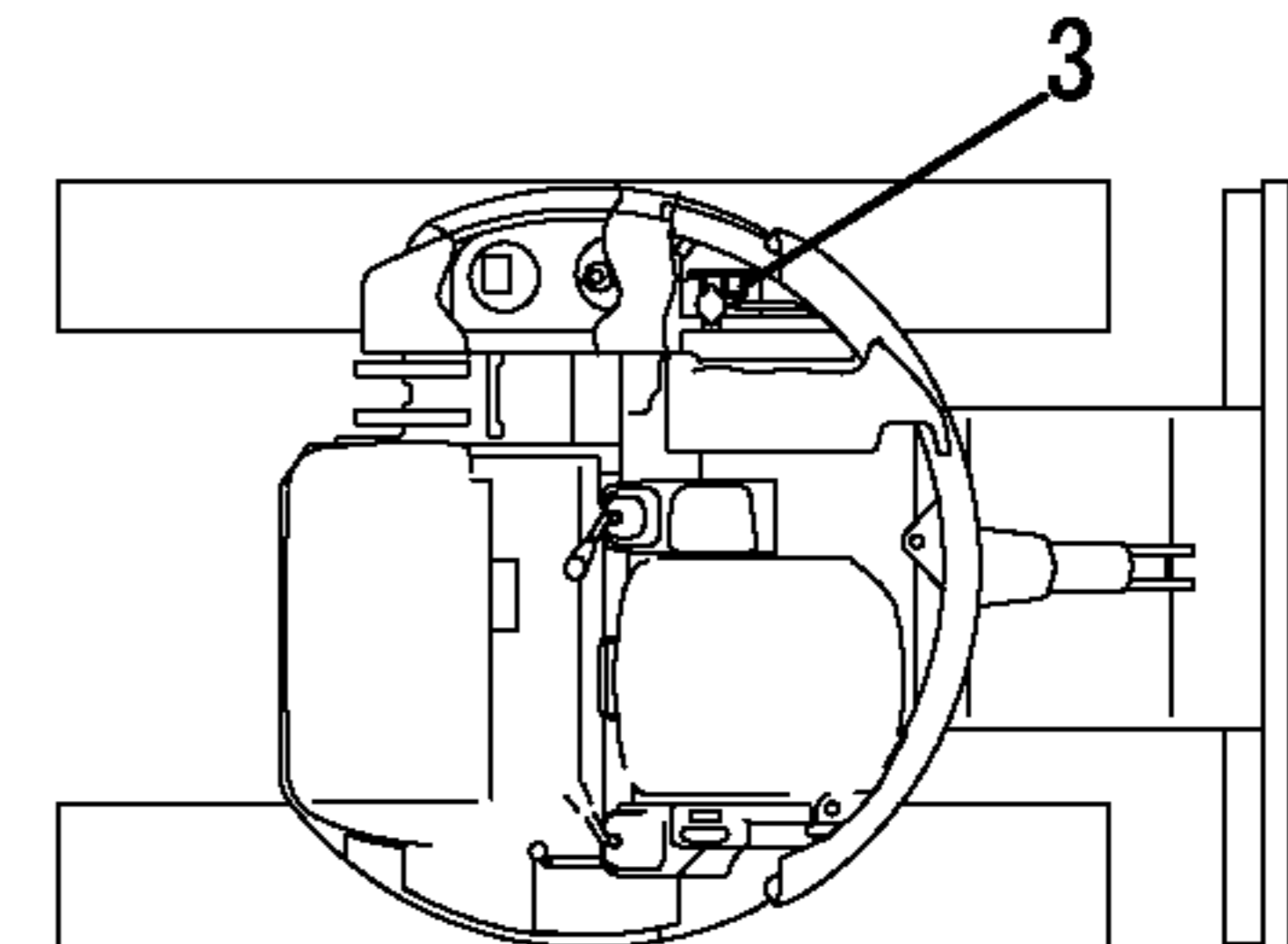
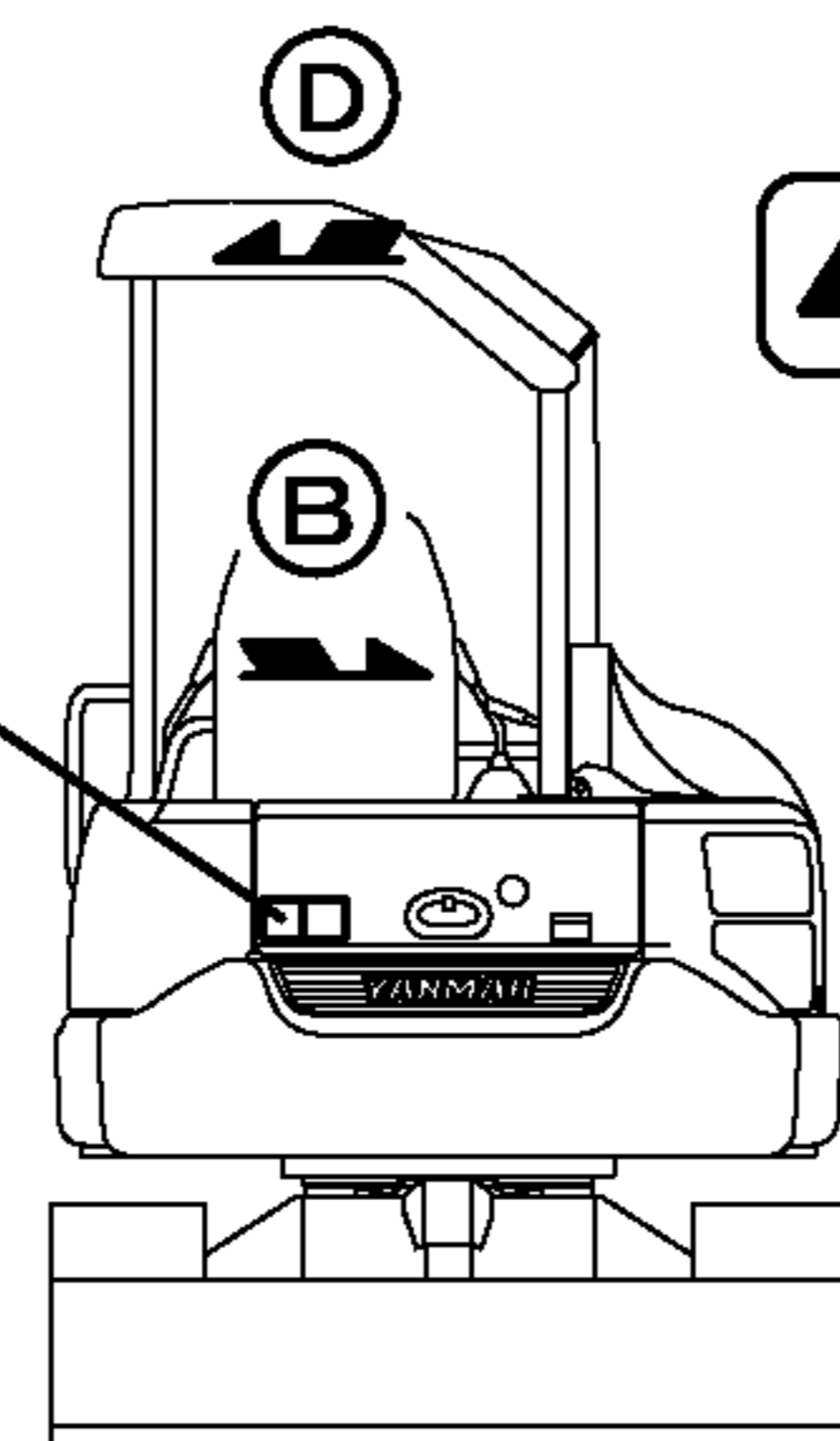
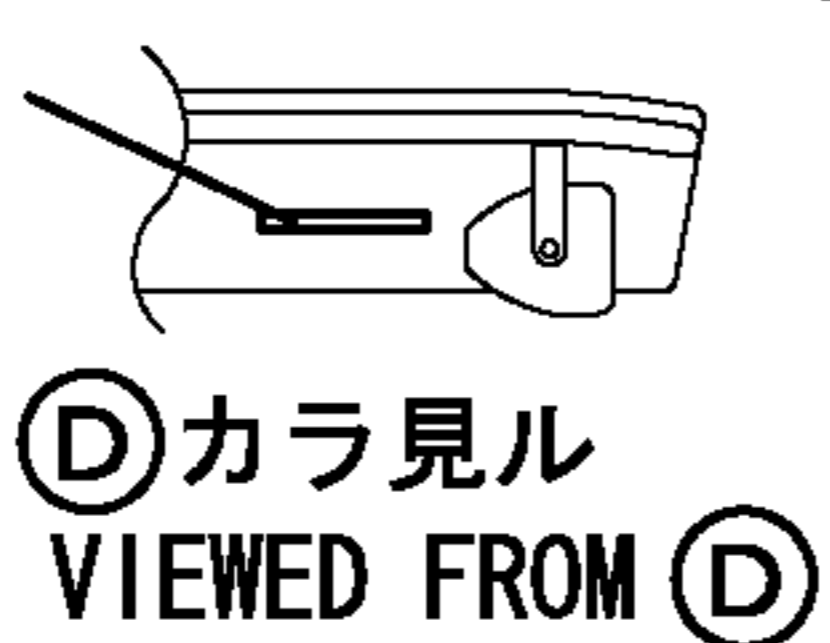
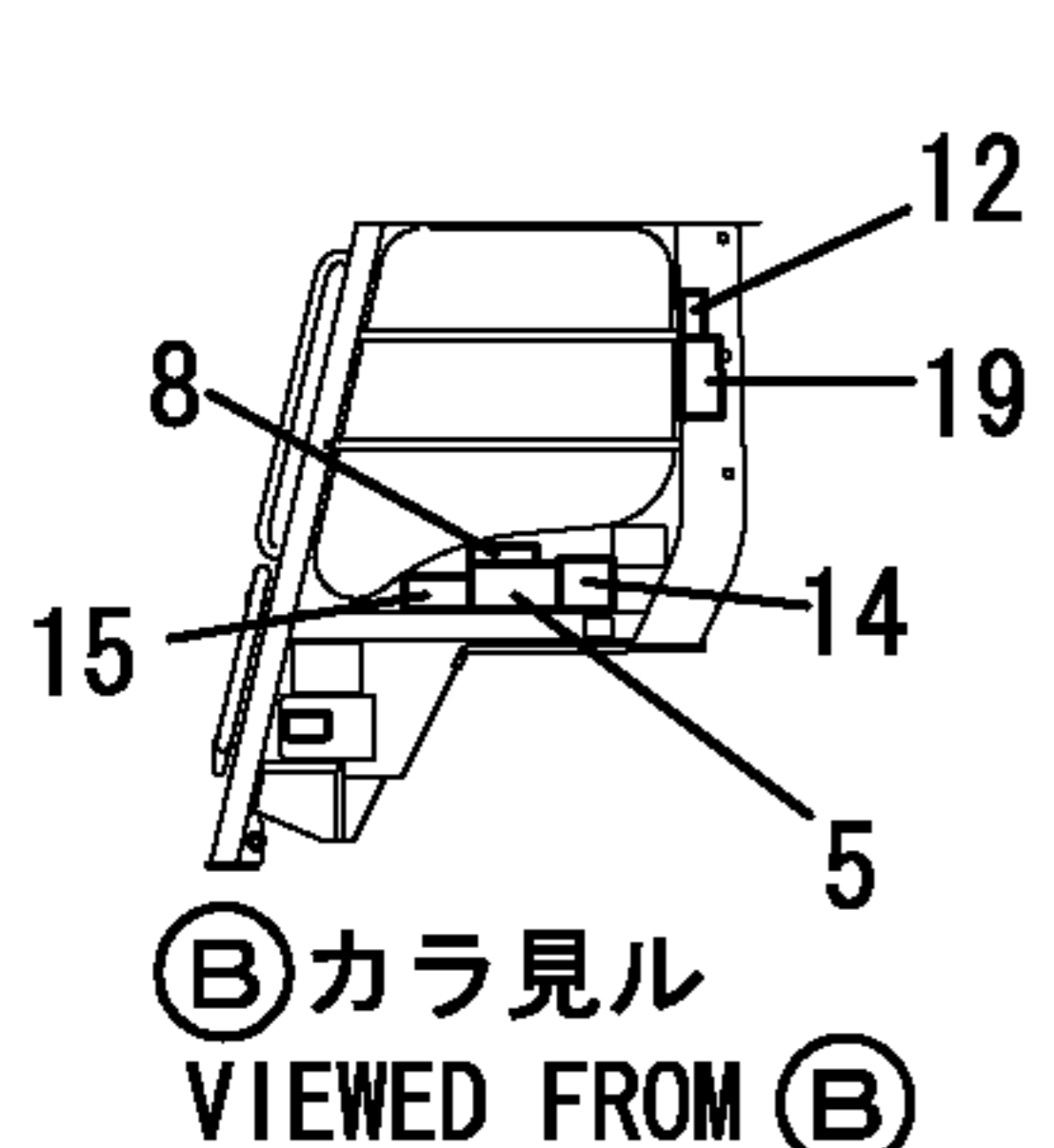




取説収納庫在中  
IN THE OPERATION  
MANUAL CASE



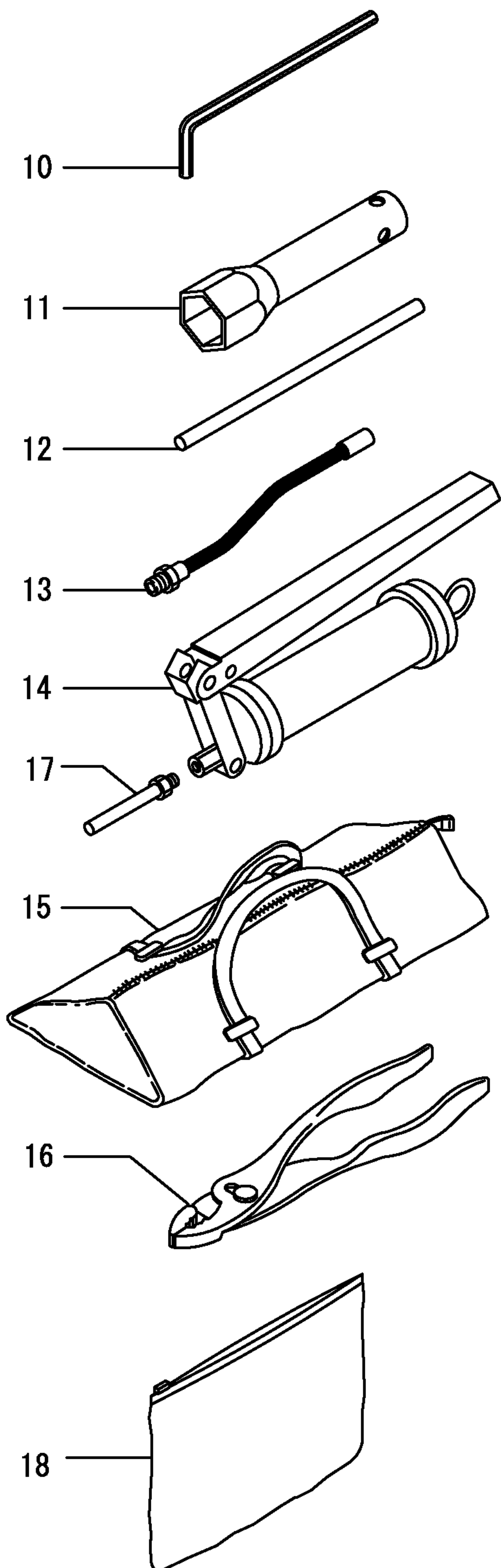
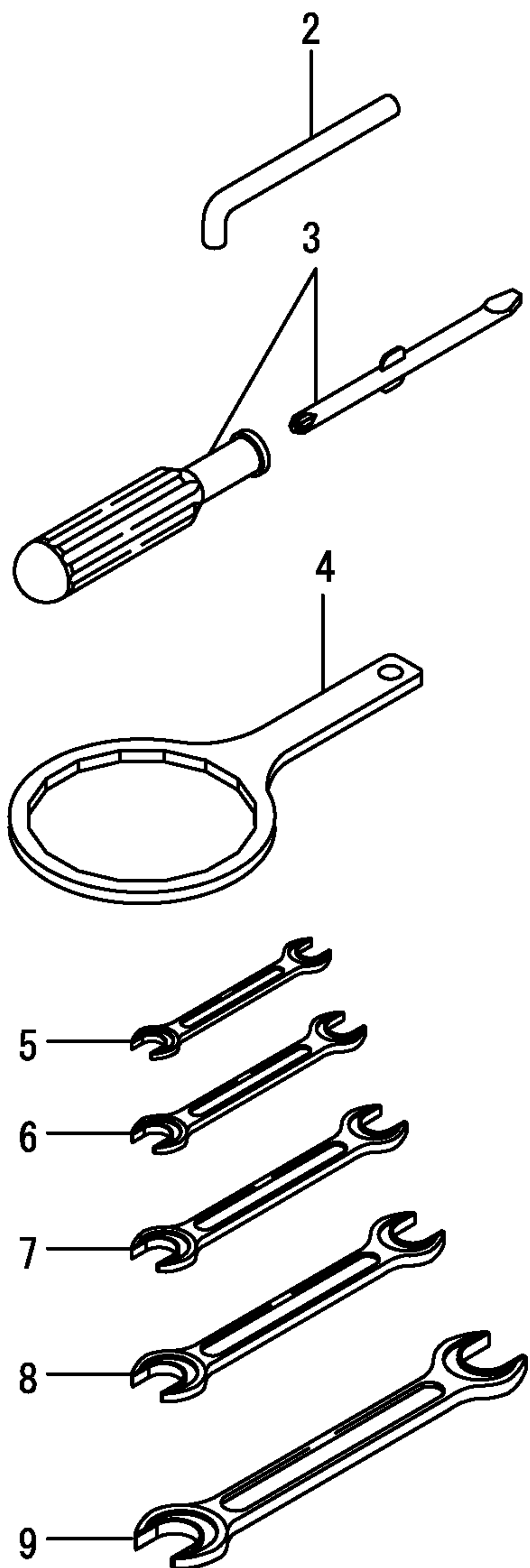
ボンネット内側詳細  
DETAILS OF BONNET INSIDE



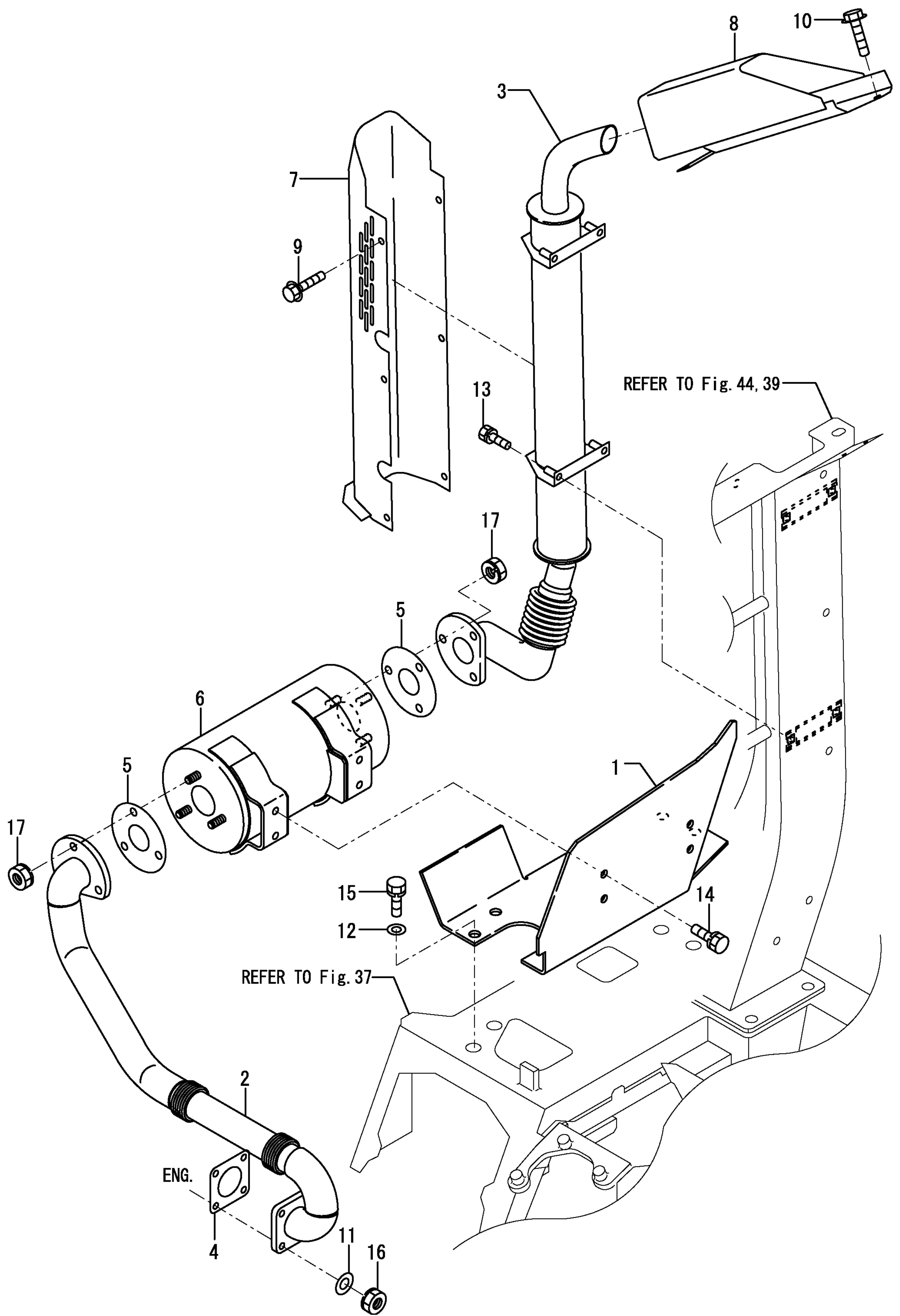
1,1,,772164-05100,, "TOOL SET",1,,,,,Z,,72458151,M/#36124,,,,,,I  
2,2,,172614-38300,, "PIN 5X45, LOCK",4,,,,,Z,,72458151,M/#36124,,,,,,I  
3,2,,104200-92350,, "DRIVER, SCREW",1,,,,,Z,,72458151,M/#36124,,,,,,I  
4,2,,119640-92750,, "WRENCH, FILTER",1,,,,,Z,,72458151,M/#36124,,,,,,I  
5,2,,28110-080100,, "WRENCH 8X10",1,,,,,Z,,72458151,M/#36124,,,,,,I  
6,2,,28110-120140,, "WRENCH 12X14",2,,,,,Z,,72458151,M/#36124,,,,,,I  
7,2,,28110-170190,, "WRENCH 17X19",1,,,,,Z,,72458151,M/#36124,,,,,,I  
8,2,,28110-220240,, "WRENCH 22X24",1,,,,,Z,,72458151,M/#36124,,,,,,I  
9,2,,28110-270300,, "WRENCH 27X30",1,,,,,Z,,72458151,M/#36124,,,,,,I  
10,2,,28150-080000,, "BAR WRENCH 8",1,,,,,Z,,72458151,M/#36124,,,,,,I  
11,2,,28227-271400,, "BOX WRENCH 27\*140",1,,,,,Z,,72458151,M/#36124,,,,,,I  
12,2,,28230-120250,, "TURNING HANDLE",1,,,,,Z,,72458151,M/#36124,,,,,,I  
13,2,,933110-09701,, "HOSE, GREASE",1,,,,,Z,,72458151,M/#36124,,,,,,I  
14,2,,933110-09801,, "GUN 800, GREASE",1,,,,,Z,,72458151,M/#36124,,,,,,I  
15,2,,933110-90000,, "BAG, TOOL",1,,,,,Z,,72458151,M/#36124,,,,,,I  
16,2,,933171-00470,, "PLIER 200",1,,,,,Z,,72458151,M/#36124,,,,,,I  
17,2,,172122-05101,, "NOZZLE",1,,,,,Z,,72458151,M/#36124,,,,,,I  
18,1,,172176-07330,, "BAG, MANUAL",1,1,1,,,,,,,

見出しNO. 1は  
見出しNO. 2から17を含みます。  
1 INC. 2~17.

1  
▲

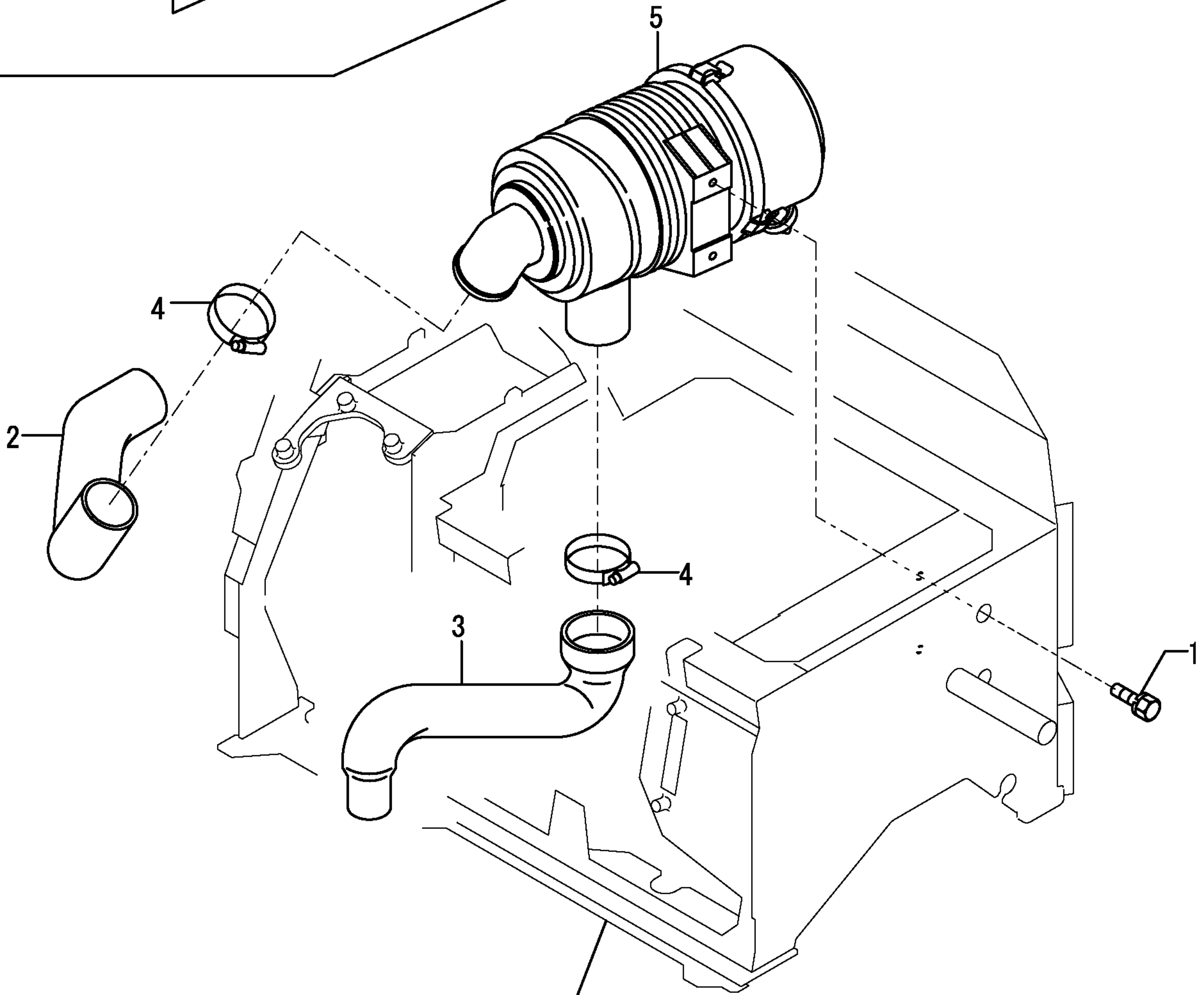
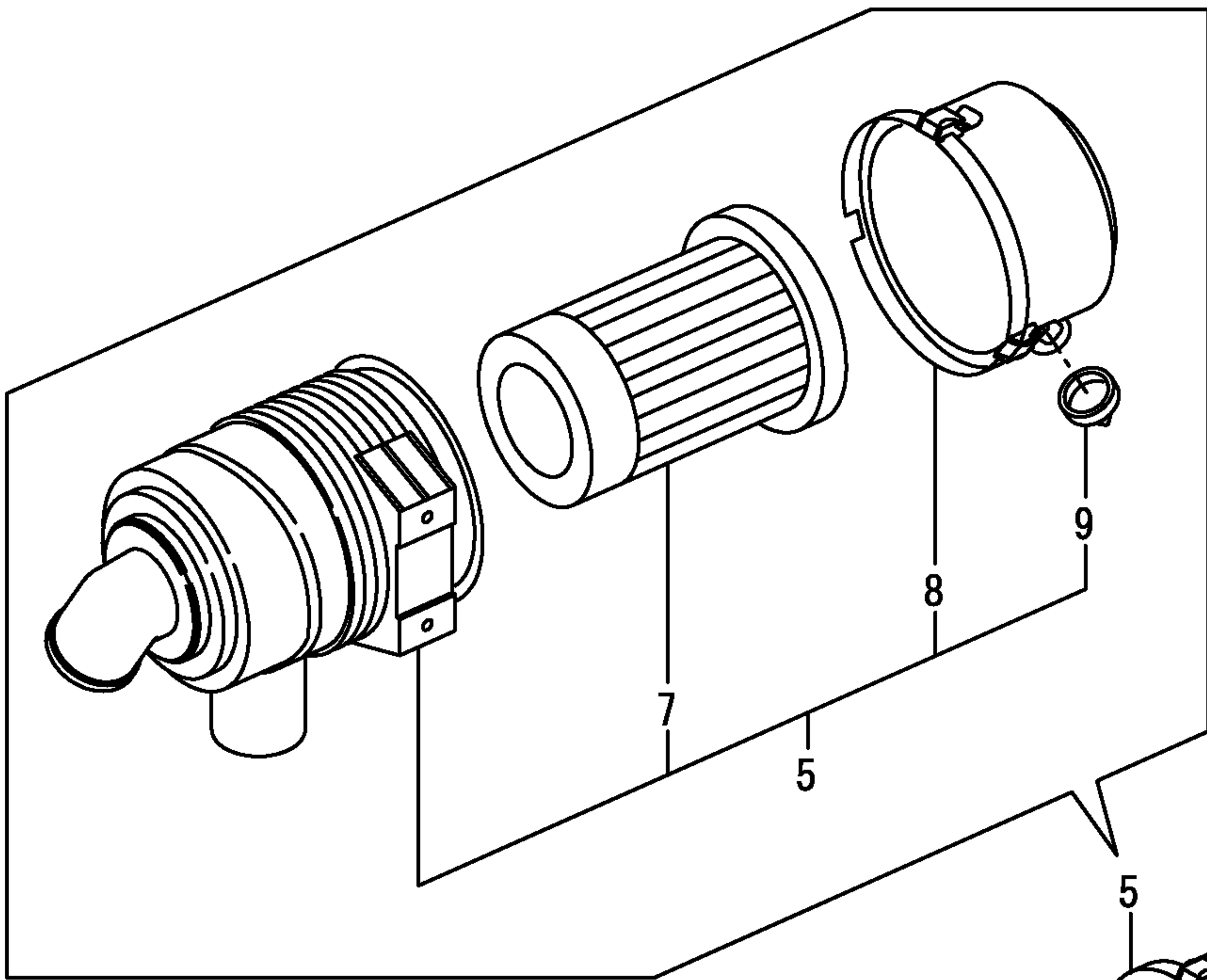


1,1,,172444-11300,,BRACKET,1,1,1,,,,,,,,,,,,,  
2,1,,172444-11310,,TUBE,1,1,1,,,,,,,,,,,,,  
3,1,,172444-11660,, "PIPE A ASSY",1,1,1,,,,,,,,,,,,,  
4,1,,124701-11911,, "GASKET, (NON-ASB.)",1,1,1,,,,,,,,,,,,,  
5,1,,103954-13201,, "GASKET, SILENCER",2,2,2,,,,,,,,,,,,,  
6,1,,119818-13500,,SILENCER,1,1,1,,,,,,,,,,,,,  
7,1,,172444-61330,,COVER,1,1,1,,,,,,,,,,,,,  
8,1,,172444-61370,, "COVER B",1,1,1,,,,,,,,,,,,,  
9,1,,172519-63240,, "BOLT 8X 16",6,6,6,,,,,,,,,,,,,  
10,1,,172519-63240,, "BOLT 8X 16",4,4,,,,,,,,,,,,,  
10-1,1,,26106-080304,, "BOLT M8X 30  
PLATED",,3,,,,,S,,,,,72444378,M/#36055,,,,,,,,,I  
10-2,1,,26106-080302,, "BOLT M 8X 30  
PLATED",,3,3,,,,,R,,,,,72444380,M/#36145,,,,,,,,,I  
11,1,,22137-080000,, "WASHER 8, POLISHED",4,4,4,,,,,,,,,,,,,  
12,1,,22137-120000,, "WASHER 12,POLISHED",4,4,4,,,,,,,,,,,,,  
13,1,,26013-080452,, "BOLT M 8X 45",4,4,4,,,,,,,,,,,,,  
14,1,,26013-100202,, "BOLT W/WASHER M10X20",4,4,4,,,,,,,,,,,,,  
15,1,,26013-120352,, "BOLT M12X 35",4,4,4,,,,,,,,,,,,,  
16,1,,26051-080002,, "NUT M 8",4,4,4,,,,,,,,,,,,,  
17,1,,26051-100002,, "NUT M10",6,6,6,,,,,,,,,,,,,



1,1,,26013-080162,, "BOLT W/WASHER M8X16",2,2,2,,,,,,,,,,,,,  
2,1,,172444-11510,, "HOSE A",1,1,1,,,,,,,,,,,,,  
3,1,,172444-11520,, "HOSE B",1,1,1,,,,,,,,,,,,,  
4,1,,23000-070000,, "CLAMP 70",3,3,3,,,,,,,,,,,,,  
5,1,,172444-11500,, "AIR CLEANER",1,1,1,,,,,,,,,,,,,  
7,2,,119808-12520,, "ELEMENT, OUTER",1,1,1,,,,,,,,,,,,,  
8,2,,119866-12541,, "COVER ASSY",1,1,1,,,,,,,,,,,,,  
9,2,,119808-12540,, "VALVE, UNLOADER",1,1,1,,,,,,,,,,,,,

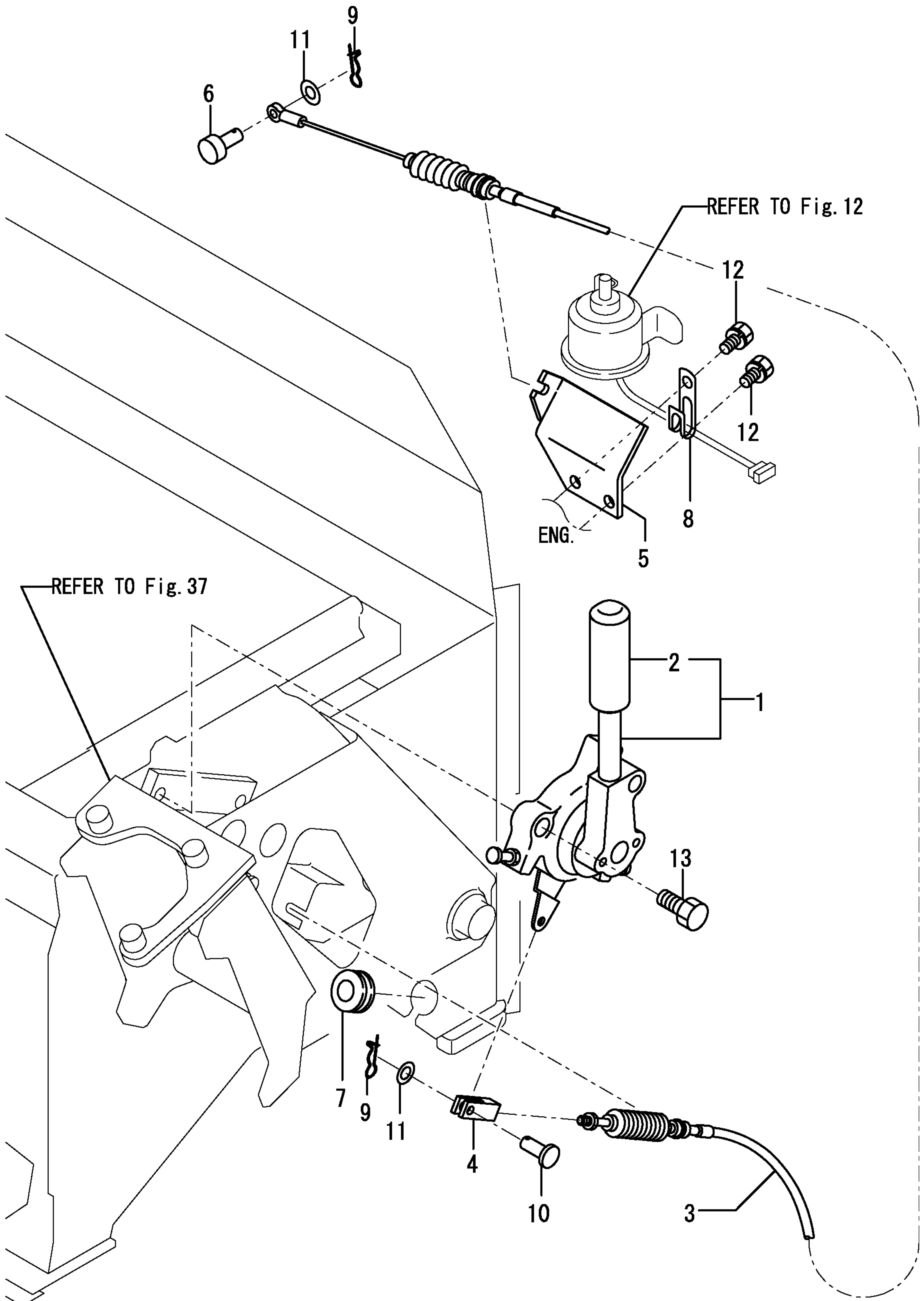




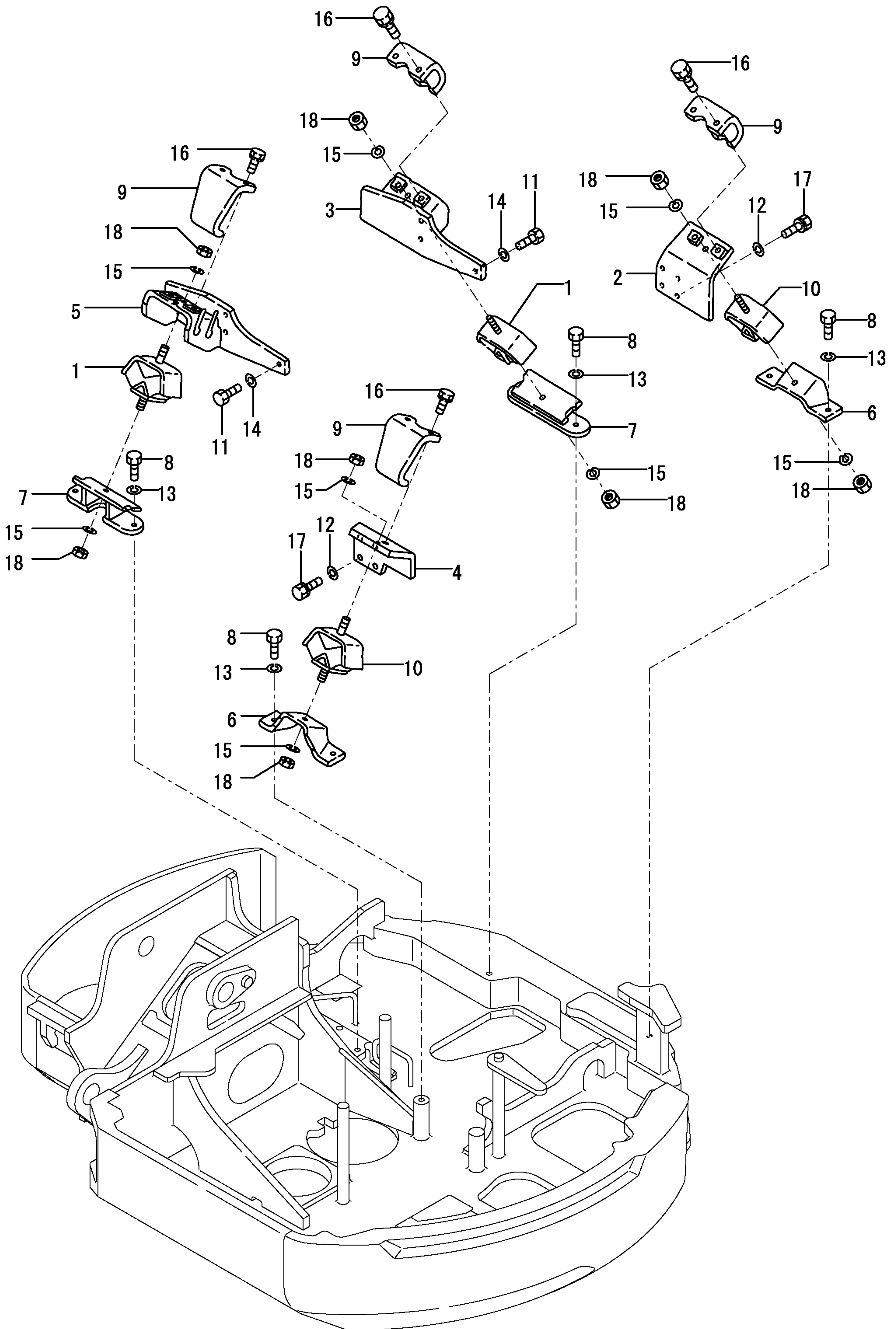
REFER TO Fig. 37

1,1,,172165-12100,, "LEVER ASSY,ACCEL." ,1,,,,,,,,,,,,,  
1-1,1,,172165-12101,, "LEVER ASSY,ACCEL." ,1,1,1,,,,,R,,72445245,M/#30987,,,,,,,,,  
2,2,,172165-12140,,GRIP(RED,1,1,1,,,,,,,,,,,,,  
3,1,,172444-12100,,CABLE,1,1,1,,,,,,,,,,,,,  
4,1,,172137-12270,, "JOINT, CABLE" ,1,1,1,,,,,,,,,,,,,  
5,1,,172141-12280,, "CLAMP, ACCEL WIRE" ,1,1,1,,,,,,,,,,,,,  
6,1,,172113-12521,, "PIN, CABLE" ,1,,,,,,,,,,,,,  
6-1,1,,172113-12522,,PIN,1,1,1,,,,,N,,72426072,M/#31249,,,,,,,,,  
7,1,,1A1380-28050,, "PACKING,TRANSM.CASE" ,1,,,,,,M,,,,,,,,,  
7-1,1,,172187-16560,,GROMMET,1,,,,,,,,,,,,,  
7-2,1,,1A1380-58050,, "GROMMET 16X20X4.5" ,1,1,1,,,,,N,,72445074,M/#30504,,,,,,,,,  
8,1,,194440-51620,, "CLAMP, WIRE HARNESS" ,1,1,1,,,,,,,,,,,,,  
9,1,,1C6281-52310,, "PIN 6,COME-OFF SNAP" ,2,2,2,,,,,,,,,,,,,  
10,1,,1A1040-56900,, "PIN 6X 17" ,1,1,1,,,,,,,,,,,,,  
11,1,,22137-060000,, "WASHER 6, POLISHED" ,2,2,2,,,,,,,,,,,,,  
12,1,,26013-080162,, "BOLT W/WASHER M8X16" ,2,2,2,,,,,,,,,,,,,  
13,1,,26013-100252,, "BOLT W/WASHER M10X25" ,2,2,2,,,,,,,,,,,,,

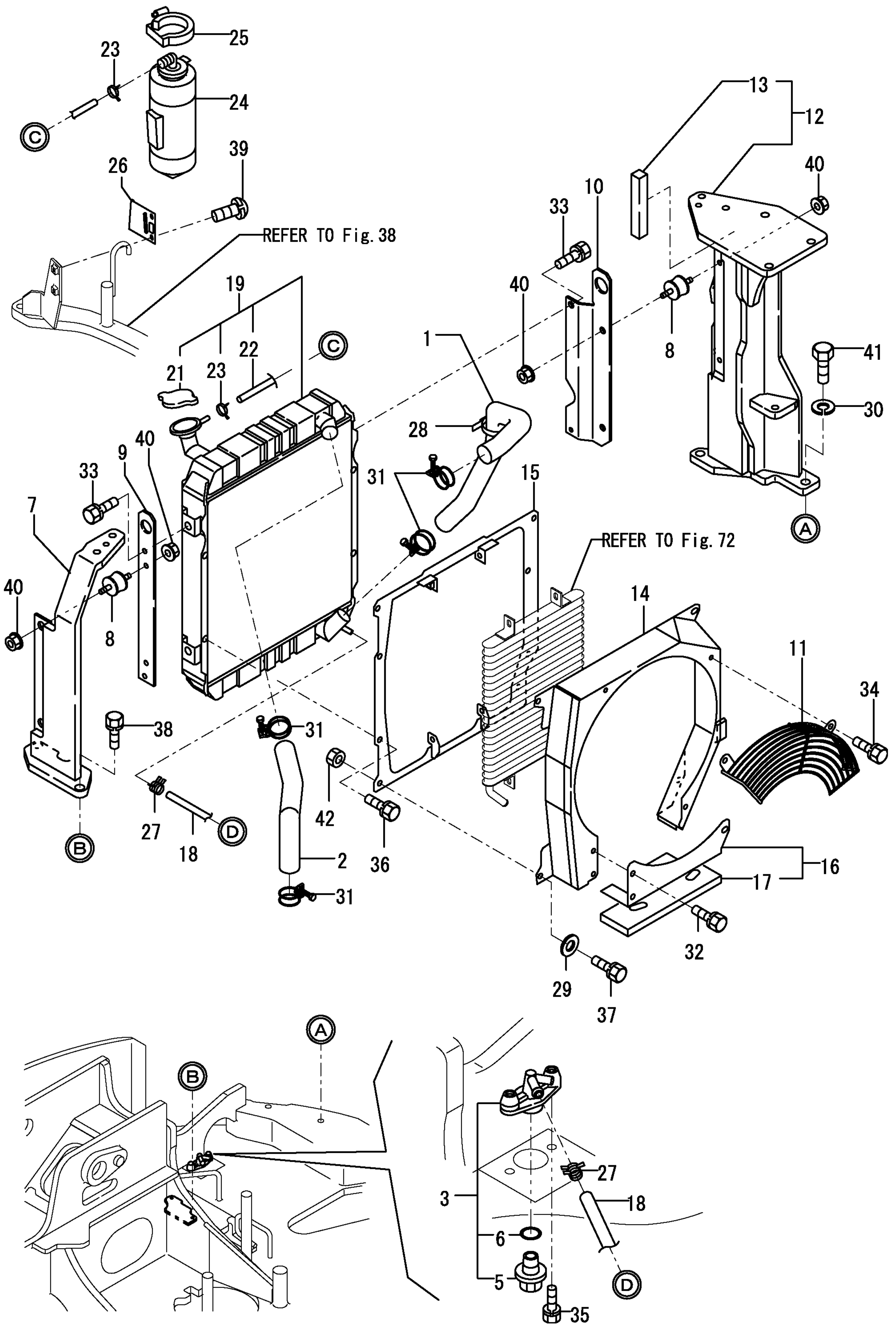




1,1,,196420-02310,, "ABSORBER, SHOCK",2,2,2,,,,,,,,,,,,,  
2,1,,172146-13101,, "BRACKET (73)",1,1,1,,,,,,,,,,,,,  
3,1,,172168-13101,, "MOUNT(R), ENGINE",1,1,1,,,,,,,,,,,,,  
4,1,,172175-13100,, "BRACKET",1,1,1,,,,,,,,,,,,,  
5,1,,172168-13120,, "MOUNT(L), ENGINE",1,1,1,,,,,,,,,,,,,  
6,1,,172168-13150,, "BRACKET,ENGINE (73)",2,2,2,,,,,,,,,,,,,  
7,1,,172168-13181,, "BRACKET,ENGINE (73)",2,2,2,,,,,,,,,,,,,  
8,1,,172162-13200,, "BOLT M10X30",8,8,8,,,,,,,,,,,,,  
9,1,,172124-13230,, "STOPPER, ENGINE",4,4,4,,,,,,,,,,,,,  
10,1,,172168-13250,, "ABSORBER,SHOCK 180",2,2,2,,,,,,,,,,,,,  
11,1,,172131-37170,, "BOLT M12X 30",6,6,6,,,,,,,,,,,,,  
12,1,,172137-46040,, "SEAT, SPRING",8,8,8,,,,,,,,,,,,,  
13,1,,22217-100000,, "SPRING WASHER 10",8,8,8,,,,,,,,,,,,,  
14,1,,22217-120000,, "SPRING WASHER 12",6,6,6,,,,,,,,,,,,,  
15,1,,22217-120000,, "SPRING WASHER 12",8,8,8,,,,,,,,,,,,,  
16,1,,26013-100252,, "BOLT W/WASHER M10X25",8,8,8,,,,,,,,,,,,,  
17,1,,26013-120302,, "BOLT W/WASHER M12X30",8,8,8,,,,,,,,,,,,,  
18,1,,26716-120002,, "NUT 12",8,8,8,,,,,,,,,,,,,



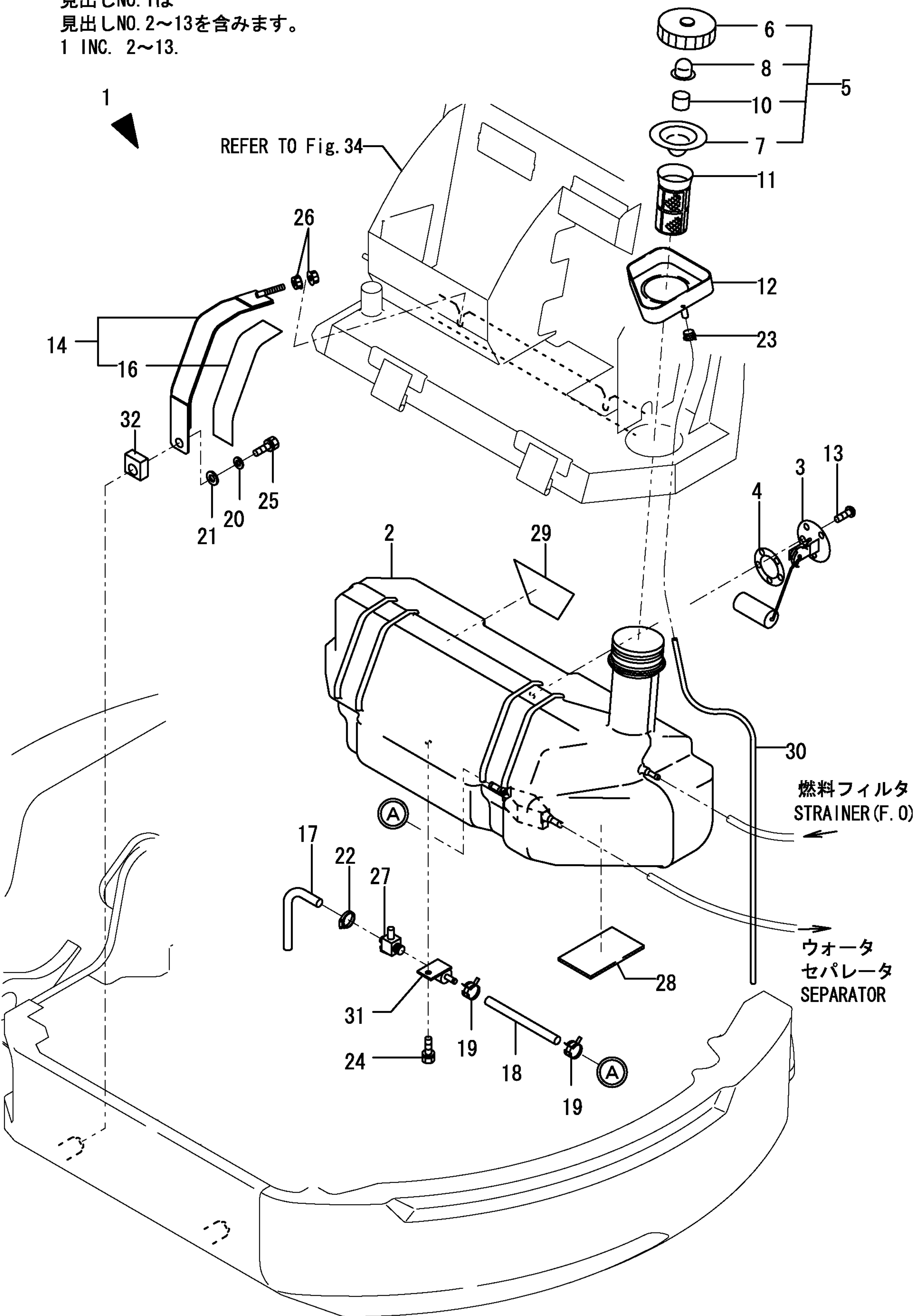
1,1,,172444-13190,, "PIPE (B), C. WATER",1,1,1,,,,,,,,,,,,,  
2,1,,172444-13200,, "PIPE (A), C. WATER",1,1,1,,,,,,,,,,,,,  
3,1,,172444-13210,, "COCK ASSY,2-WAY",1,1,1,,,,,,,,,,,,,  
5,2,,121250-49121,, PLUG,1,1,1,,,,,,,,,,,,,  
6,2,,24311-000160,, "O-RING 1A P-16.0",1,1,1,,,,,,,,,,,,,  
7,1,,172444-13300,, "MOUNT L,RADIATOR",1,1,1,,,,,,,,,,,,,  
8,1,,172122-13310,, "MOUNT, RADIATOR",4,4,4,,,,,,,,,,,,,  
9,1,,172444-13340,, "STAY L,MOUNT",1,1,1,,,,,,,,,,,,,  
10,1,,172444-13350,, "STAY R,MOUNT",1,1,1,,,,,,,,,,,,,  
11,1,,172422-13460,, "NET, WIRE",1,1,1,,,,,,,,,,,,,  
12,1,,172444-13470,, "MOUNT,RADIATOR",1,1,1,,,,,,,,,,,,,  
13,2,,172444-13460,, "SEAL,MOUNT R",1,1,1,,,,,,,,,,,,,  
14,1,,172422-13500,, SHURAUD,1,1,1,,,,,,,,,,,,,  
15,1,,172422-13560,, "BASIS CMP,SHURAUD",1,1,1,,,,,,,,,,,,,  
16,1,,172422-13660,, COVER,1,1,1,,,,,,,,,,,,,  
17,2,,172422-13700,, SEAL,1,1,1,,,,,,,,,,,,,  
18,1,,172171-14610,, "HOSE 260,FUEL",1,1,1,,,,,,,,,,,,,  
19,1,,119813-44500,, "RADIATOR ASSY",1,1,1,,,,,,,,,,,,,  
21,2,,119259-44570,, "CAP, RADIATOR",1,1,1,,,,,,,,,,,,,  
22,2,,119813-44580,, "HOSE, RUBBER",1,1,1,,,,,,,,,,,,,  
23,2,,121250-44590,, CLAMP,2,2,2,,,,,,,,,,,,,  
24,1,,119813-44510,, "SUB-TANK ASSY",1,1,1,,,,,,,,,,,,,  
25,1,,124450-44550,, "CLAMP, SUB-TANK",1,1,1,,,,,,,,,,,,,  
26,1,,121256-44600-1,, "BRACKET, SUB-TANK(73",1,1,1,,,,,,,,,,,,,  
27,1,,124766-59050,, "CLAMP 12",2,2,2,,,,,,,,,,,,,  
28,1,,172122-79930,, "CLAMP B",1,1,1,,,,,,,,,,,,,  
29,1,,22137-080000,, "WASHER 8, POLISHED",2,2,2,,,,,,,,,,,,,  
30,1,,22217-140000,, "SPRING WASHER 14",2,2,2,,,,,,,,,,,,,  
31,1,,23010-038000,, "CLAMP 38",4,4,4,,,,,,,,,,,,,  
32,1,,26013-080122,, "BOLT M 8X 12",3,3,3,,,,,,,,,,,,,  
33,1,,26013-080162,, "BOLT W/WASHER M8X16",4,4,4,,,,,,,,,,,,,  
34,1,,26013-080162,, "BOLT W/WASHER M8X16",2,2,2,,,,,,,,,,,,,  
35,1,,26013-080162,, "BOLT W/WASHER M8X16",2,2,2,,,,,,,,,,,,,  
36,1,,26013-080162,, "BOLT W/WASHER M8X16",4,4,4,,,,,,,,,,,,,  
37,1,,26013-080162,, "BOLT W/WASHER M8X16",4,4,4,,,,,,,,,,,,,  
38,1,,26013-120402,, "BOLT M12X 40",2,2,2,,,,,,,,,,,,,  
39,1,,26022-080162,, "SCREW M 8X 16",2,2,2,,,,,,,,,,,,,  
40,1,,26051-080002,, "NUT M 8",8,8,8,,,,,,,,,,,,,  
41,1,,26116-140402,, "BOLT M14X 40 PLATED",2,2,2,,,,,,,,,,,,,  
42,1,,26716-080002,, "NUT M 8",1,1,1,,,,,W,,72422135,M/#31087,,,,,,,,,



1,1,,772444-14110,, "FUEL TANK",1,,,,,,,,,,,,,  
1-1,1,,772444-14111,, "FUEL OIL TANK  
ASSY",1,1,1,,,,,N,,72444384,M/#31489,,,,,,,,,,,,,I  
2,2,,172444-14110,, "FUEL TANK",1,,,,,,,,,,,,,  
2-1,2,,172444-14111,, "TANK ASSY, FUEL",1,1,1,,,,,N,,72444384,M/#31489,,,,,,,,,,,,,I  
3,2,,172444-14180,, "GAUGE UNIT,FUEL",1,1,1,,,,,,,,,,,,,  
4,2,,172162-14200,, GASKET,1,1,1,,,,,,,,,,,,,  
5,2,,172444-14200,, "FUEL CAP",1,1,1,,,,,,,,,,,,,  
6,3,,172444-14450,, CAP,1,1,1,,,,,,,,,,,,,  
7,3,,172444-14460,, GASKET,1,1,1,,,,,,,,,,,,,  
8,3,,172444-14470,, GASKET,1,1,1,,,,,,,,,,,,,  
10,3,,172444-14490,, SPONGE,1,1,1,,,,,,,,,,,,,  
11,2,,172183-14250,, "FILTER (FUEL",1,1,1,,,,,,,,,,,,,  
12,2,,172444-14250,, SAUCER,1,1,1,,,,,,,,,,,,,  
13,2,,26557-050122,, "SCREW M 5X 12",5,,,,,,,,,,,,,  
13-1,2,,26022-050122,, "SCREW M 5X 12",5,5,5,,,,,N,,72460255,M/#30501,,,,,,,,,,,,,I  
14,1,,172444-14300,, "FUEL CLAMP",2,2,2,,,,,,,,,,,,,  
16,2,,172444-14340,, CLAMP,2,2,2,,,,,,,,,,,,,  
17,1,,172444-14410,, HOSE,1,1,1,,,,,,,,,,,,,  
18,1,,172124-14620,, "HOSE L=300, FUEL",1,,,,,,,,,,,,,  
19,1,,124766-59050,, "CLAMP 12",2,,,,,,,,,,,,,  
20,1,,22137-100000,, "WASHER 10,POLISHED",2,,,,,,,,,,,,,  
21,1,,22137-160000,, "WASHER 16,POLISHED",2,,,,,,,,,,,,,  
22,1,,23010-014000,, "CLAMP 14",1,,,,,,,,,,,,,  
23,1,,23080-013000,, "CLAMP 13,HOSE",1,,,,,,,,,,,,,  
24,1,,26013-080202,, "BOLT W/WASHER M8X20",1,,,,,,,,,,,,,  
25,1,,26013-100202,, "BOLT W/WASHER M10X20",2,,,,,,,,,,,,,  
26,1,,26367-100002,, "NUT 10",4,,,,,,,,,,,,,  
27,1,,104200-11920,, COCK,1,,,,,,,,,,,,,  
28,1,,172444-14130,, "PLATE A",2,,,,,,,,,,,,,  
29,1,,172444-14140,, "PLATE B",2,,,,,,,,,,,,,  
30,1,,172444-14260,, "HOSE,FUEL",1,,,,,,,,,,,,,  
31,1,,172444-14270,, JOINT,1,,,,,,,,,,,,,  
32,1,,172444-14350,, "SPONGE,FUEL CLAMP",2,,,,,,,,,,,,,

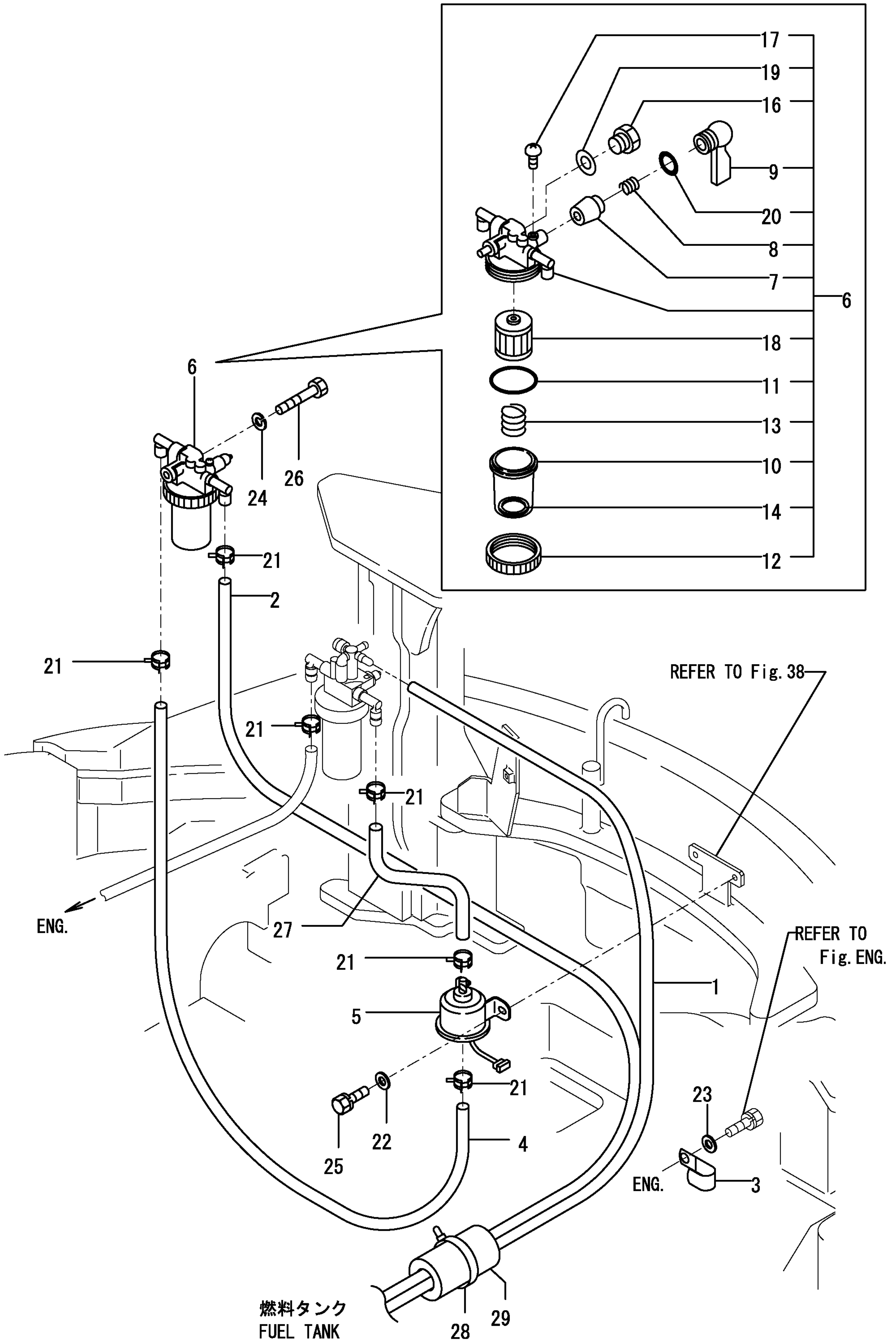


見出しNO. 1は  
見出しNO. 2~13を含みます。  
1 INC. 2~13.

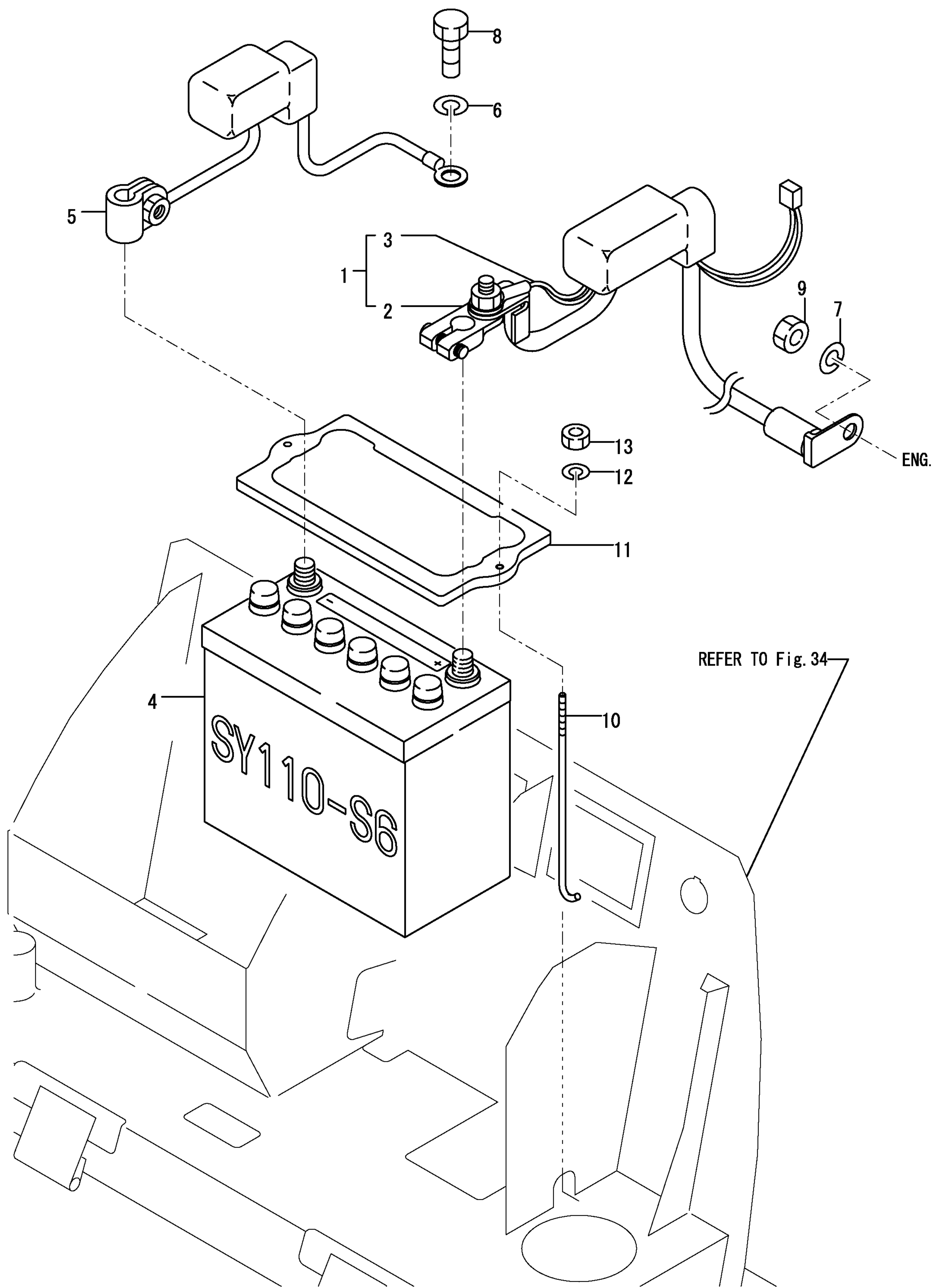


1,1,,172444-14220,, "HOSE 1950",1,1,1,,,,,,,,,,,,,  
2,1,,172444-14280,, "HOSE 2100",1,1,1,,,,,,,,,,,,,  
3,1,,1E6212-82820,, CLAMP,1,1,1,,,,,,,,,,,,,  
4,1,,172171-13461,, "HOSE 7.5X13",1,1,1,,,,,,,,,,,,,  
5,1,,119225-52102,, "PUMP ASSY, FUEL FEED",1,1,1,,,,,,,,,,,,,  
6,1,,129335-55700,, "SEPARATOR, WATER",1,1,1,,,,,,,,,,,,,  
7,2,,104200-55321,, "VALVE, TAPER",1,1,1,,,,,,,,,,,,,  
8,2,,104200-55330,, "SPRING, TAPER VALVE",1,1,1,,,,,,,,,,,,,  
9,2,,104200-55341,, "HANDLE, COCK",1,1,1,,,,,,,,,,,,,  
10,2,,124064-55510,, "BOWL, FUEL STRAINER",1,1,1,,,,,,,,,,,,,  
11,2,,102103-55520,, O-RING,1,1,1,,,,,,,,,,,,,  
12,2,,110250-55610,, "RING, RETAINING",1,1,1,,,,,,,,,,,,,  
13,2,,121257-55720,, "SPRING, SCREEN",1,1,1,,,,,,,,,,,,,  
14,2,,121257-55731,, FLOAT,1,1,1,,,,,,,,,,,,,  
16,2,,101720-55750,, PLUG,2,2,2,,,,,,,,,,,,,  
17,2,,104200-55750,, "SCREW M 4",1,1,1,,,,,,,,,,,,,  
18,2,,171081-55910,, SCREEN,1,1,1,,,,,,,,,,,,,  
19,2,,23418-060000,, "GASKET 6, NYLON",2,2,2,,,,,,,,,,,,,  
20,2,,24311-240100,, "O-RING 1A P-10A",1,1,1,,,,,,,,,,,,,  
21,1,,124766-59050,, "CLAMP 12",8,8,8,,,,,,,,,,,,,  
22,1,,22137-060000,, "WASHER 6, POLISHED",2,2,2,,,,,,,,,,,,,  
23,1,,22137-080000,, "WASHER 8, POLISHED",1,1,1,,,,,,,,,,,,,  
24,1,,22217-080000,, "SPRING WASHER 8",1,1,1,,,,,,,,,,,,,  
25,1,,26013-060162,, "BOLT M 6X 16",2,2,2,,,,,,,,,,,,,  
26,1,,26116-080702,, "BOLT M 8X 70 PLATED",1,1,1,,,,,,,,,,,,,  
27,1,,172137-14630,, "PIPE (D), FUEL",1,1,1,,,,,,,,,,,,,  
28,1,,172126-11510,, "BAND 300",1,1,1,,,,,,,,,,,,,  
29,1,,172444-14240,, "SPONGE, FUEL HOSE",1,1,1,,,,,,,,,,,,,





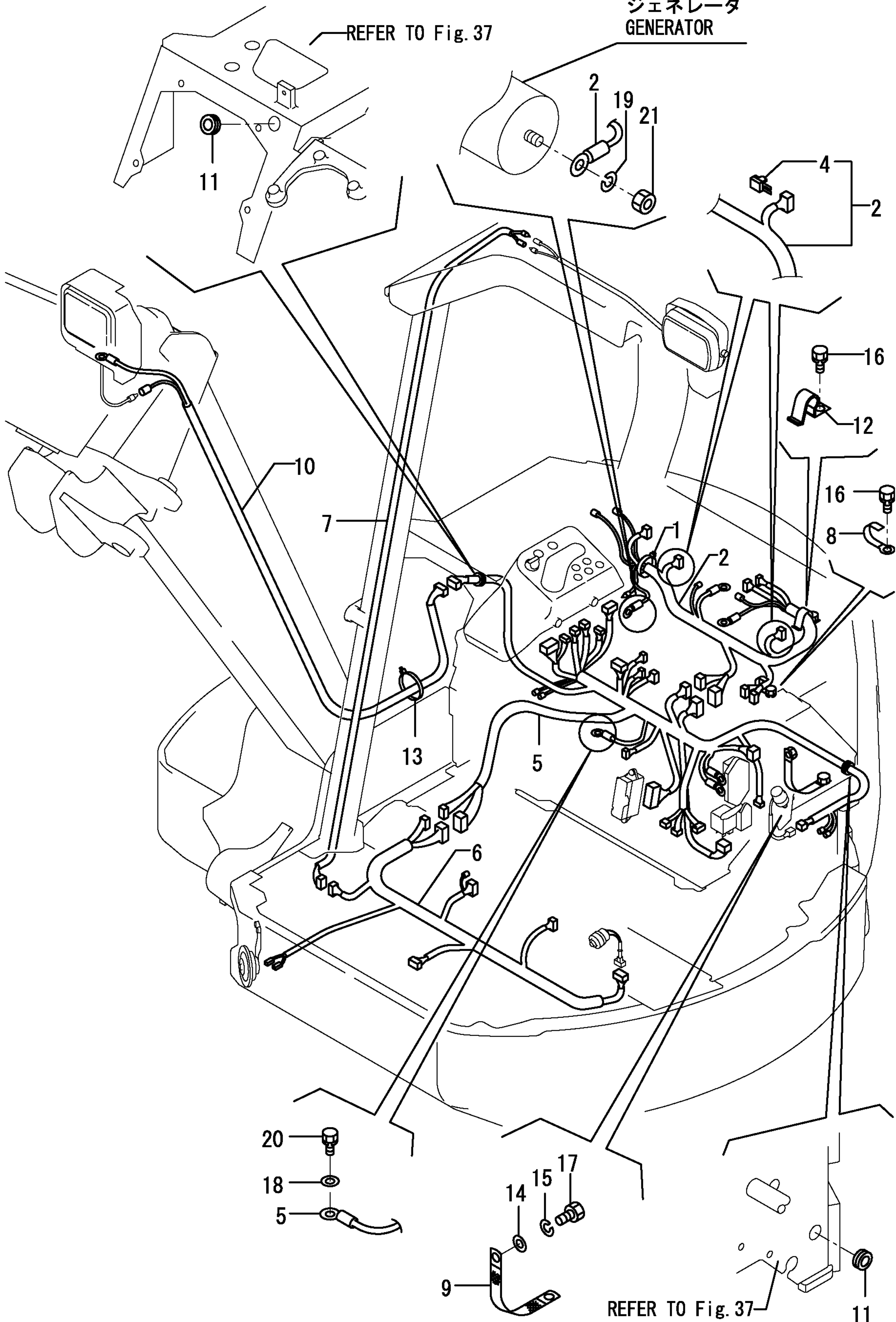
1,1,,172444-16100,, "CORD(+),BATTERY",1,1,1,,,,,,,,,,,,,  
2,2,,172444-16120,, "CORD(+),BATTERY",1,1,1,,,,,,,,,,,,,  
3,2,,172187-16130,, "WIRE, FUSIBLE",1,1,1,,,,,,,,,,,,,  
4,1,,172175-16110,, BATTERY,1,1,1,,,,,,,,,,,,,  
5,1,,172444-16110,, "HARNES,BATTERY(-)",1,1,1,,,,,,,,,,,,,  
6,1,,22217-080000,, "SPRING WASHER 8",1,1,1,,,,,,,,,,,,,  
7,1,,22217-080000,, "SPRING WASHER 8",1,1,1,,,,,,,,,,,,,  
8,1,,26116-080162,, "BOLT 8X16",1,1,1,,,,,,,,,,,,,  
9,1,,26716-080002,, "NUT M 8",1,1,1,,,,,,,,,,,,,  
10,1,,172631-16350,, "ROD,BATTERY CLAMP",2,2,2,,,,,,,,,,,,,  
11,1,,194940-64750,, "CLAMP,BATTERY",1,1,1,,,,,,,,,,,,,  
12,1,,22157-060000,, "WASHER 6",2,2,2,,,,,,,,,,,,,  
13,1,,26716-060002,, "NUT 6",4,4,4,,,,,,,,,,,,,



1,1,,172126-11510,, "BAND 300",2,2,2,,,,,,,,,,,,,  
2,1,,172444-16500,, "HARNESS A",1,1,1,,,,,,,,,,,,,  
4,2,,172648-16600,, DIODE,2,2,2,,,,,,,,,,,,,  
5,1,,172444-16510,, "HARNESS B",1,1,1,,,,,,,,,,,,,  
6,1,,172444-16520,, "WIRE HARNESS,LAMP",1,1,1,,,,,,,,,,,,,  
7,1,,172444-16531,, "HARNESS, WIRE",1,1,1,,,,,,,,,,,,,  
8,1,,172126-16540,, "CLAMP 10X70",1,1,1,,,,,,,,,,,,,  
9,1,,933171-15801,, "WIRE, EARTH",1,1,1,,,,,,,,,,,,,  
10,1,,172444-16550,, "HARNESS,WORK LAMP",1,1,1,,,,,,,,,,,,,  
11,1,,172187-16560,, GROMMET,2,2,2,,,,,,,,,,,,,  
12,1,,172112-16650,, CLAMP(B),1,1,1,,,,,,,,,,,,,  
13,1,,172122-79890,, "CLAMP 350",1,1,1,,,,,,,,,,,,,  
14,1,,22137-120000,, "WASHER 12,POLISHED",2,2,2,,,,,,,,,,,,,  
15,1,,22217-120000,, "SPRING WASHER 12",2,2,2,,,,,,,,,,,,,  
16,1,,26013-100162,, "BOLT M10X 16",2,2,2,,,,,,,,,,,,,  
17,1,,26116-120162,, "BOLT M12X 16 PLATED",2,2,2,,,,,,,,,,,,,  
18,1,,22137-100000,, "WASHER 10,POLISHED",1,1,1,,,,,,,,,,,,,  
19,1,,22217-050000,, "SPRING WASHER 5",1,1,1,,,,,,,,,,,,,  
20,1,,26013-100202,, "BOLT W/WASHER M10X20",1,1,1,,,,,,,,,,,,,  
21,1,,26716-050002,, "NUT M 5",1,1,1,,,,,,,,,,,,,

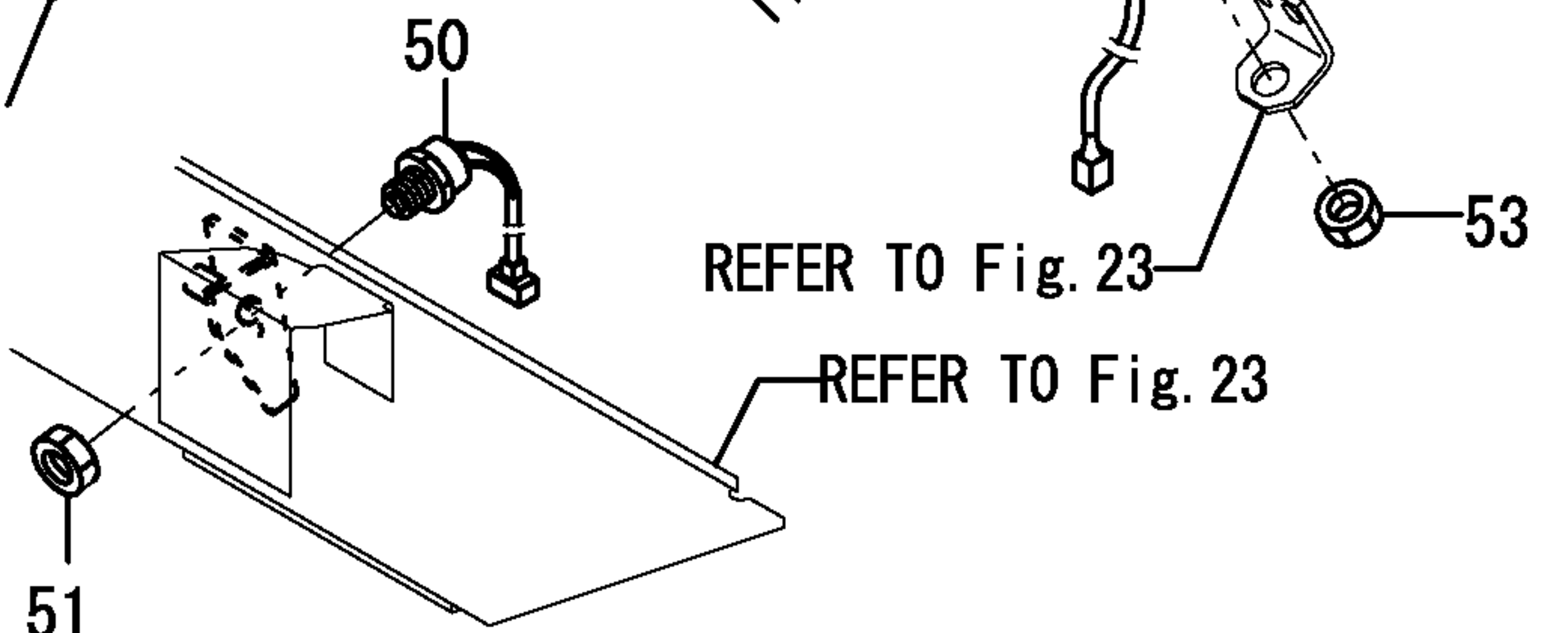
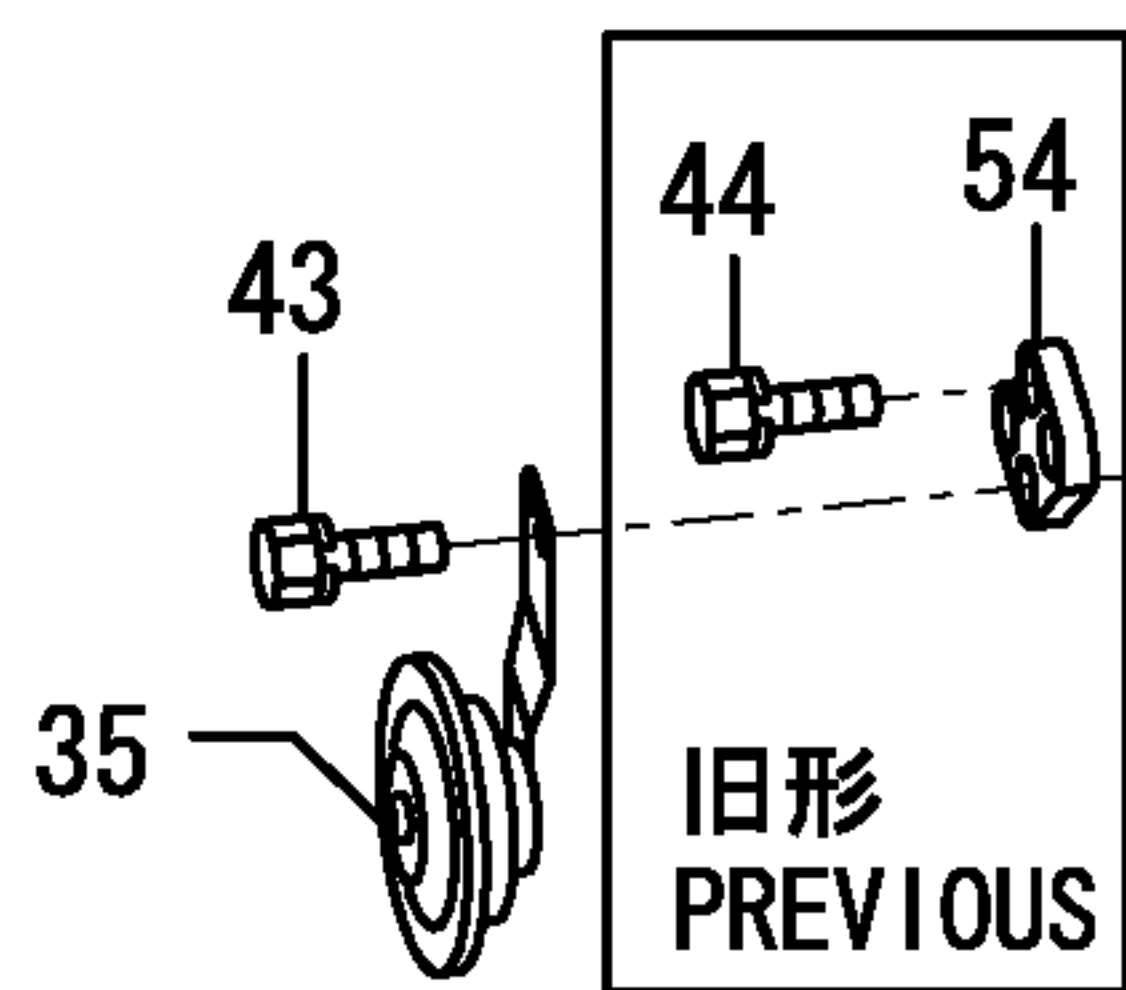
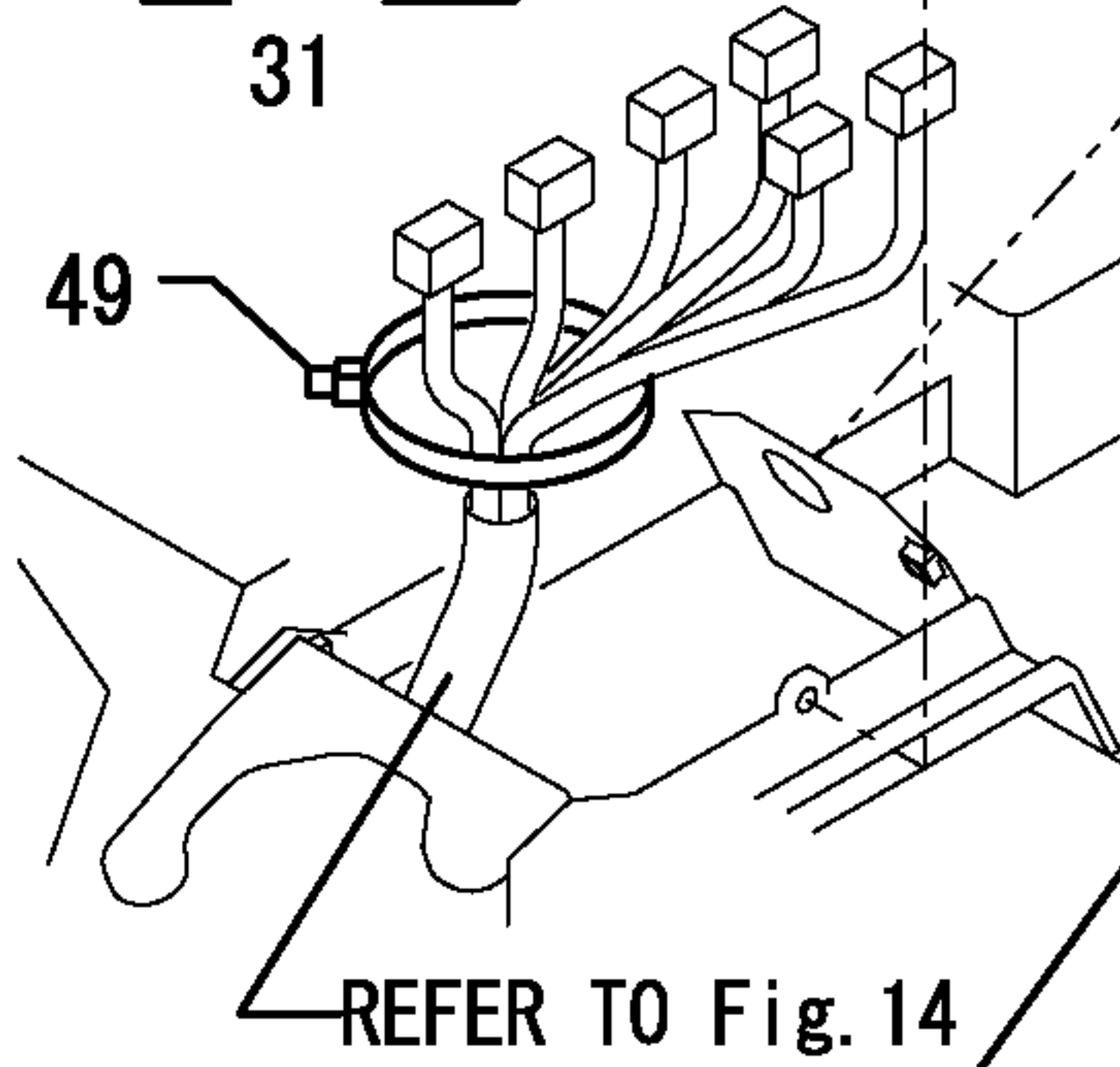
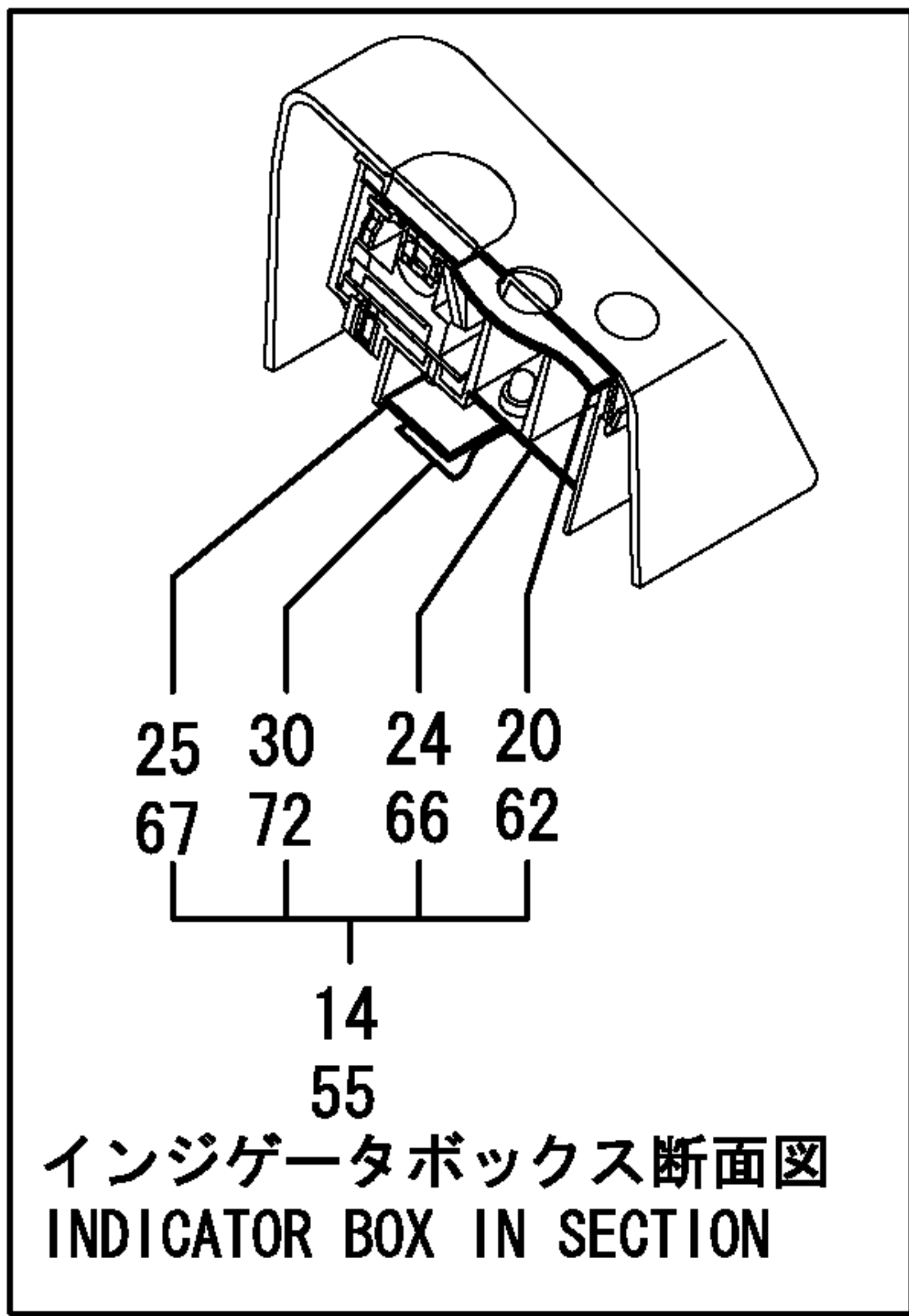
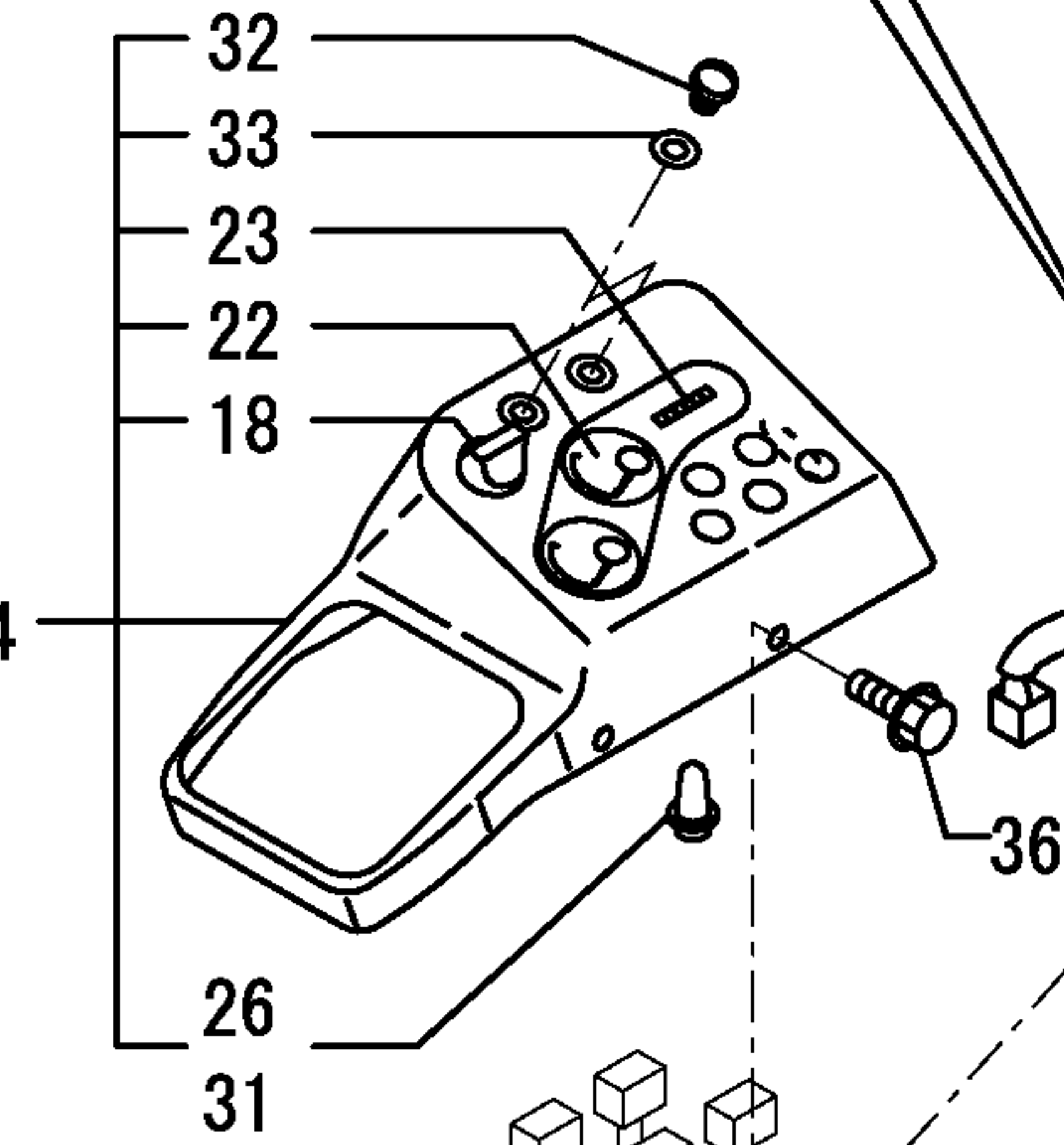
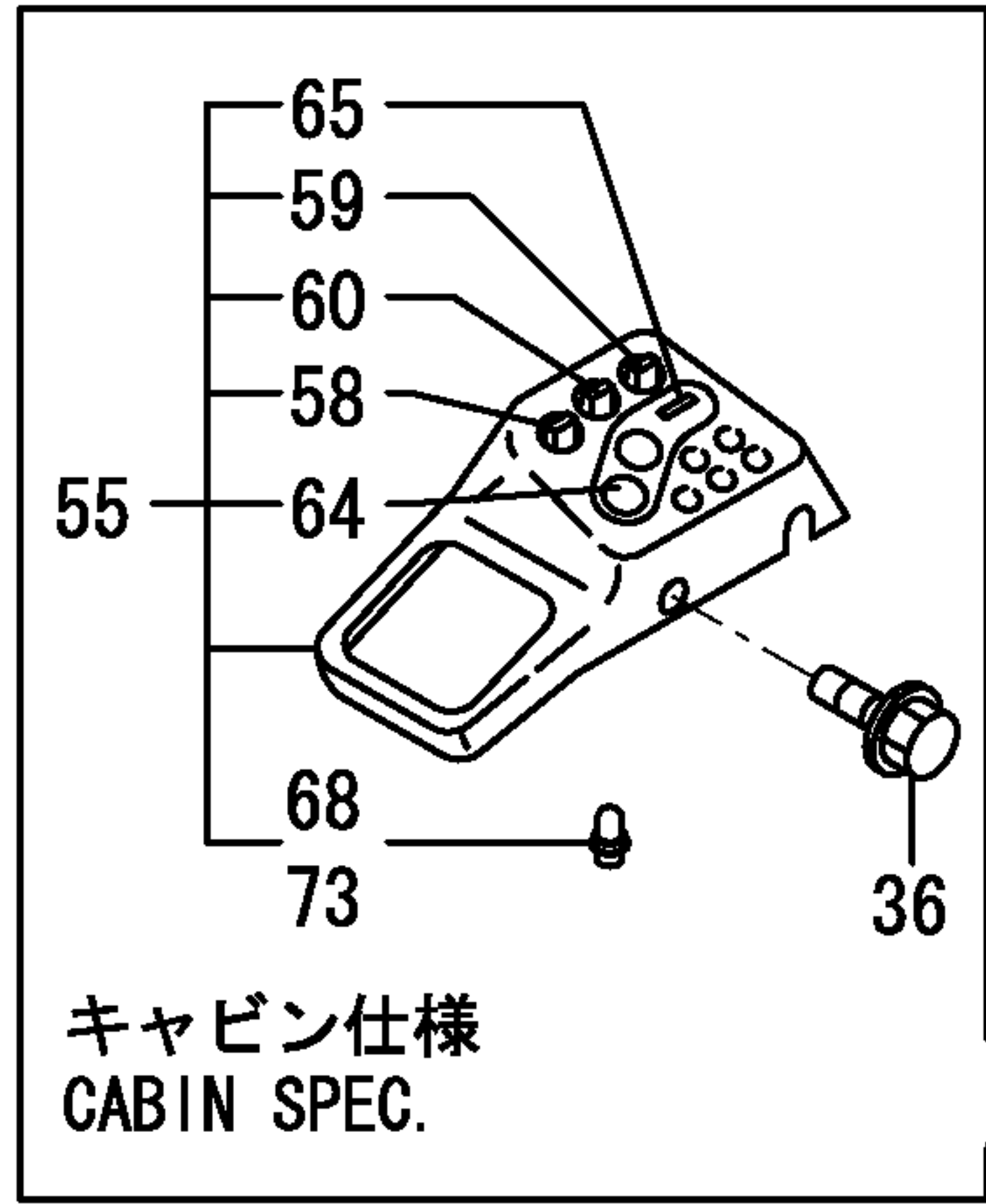
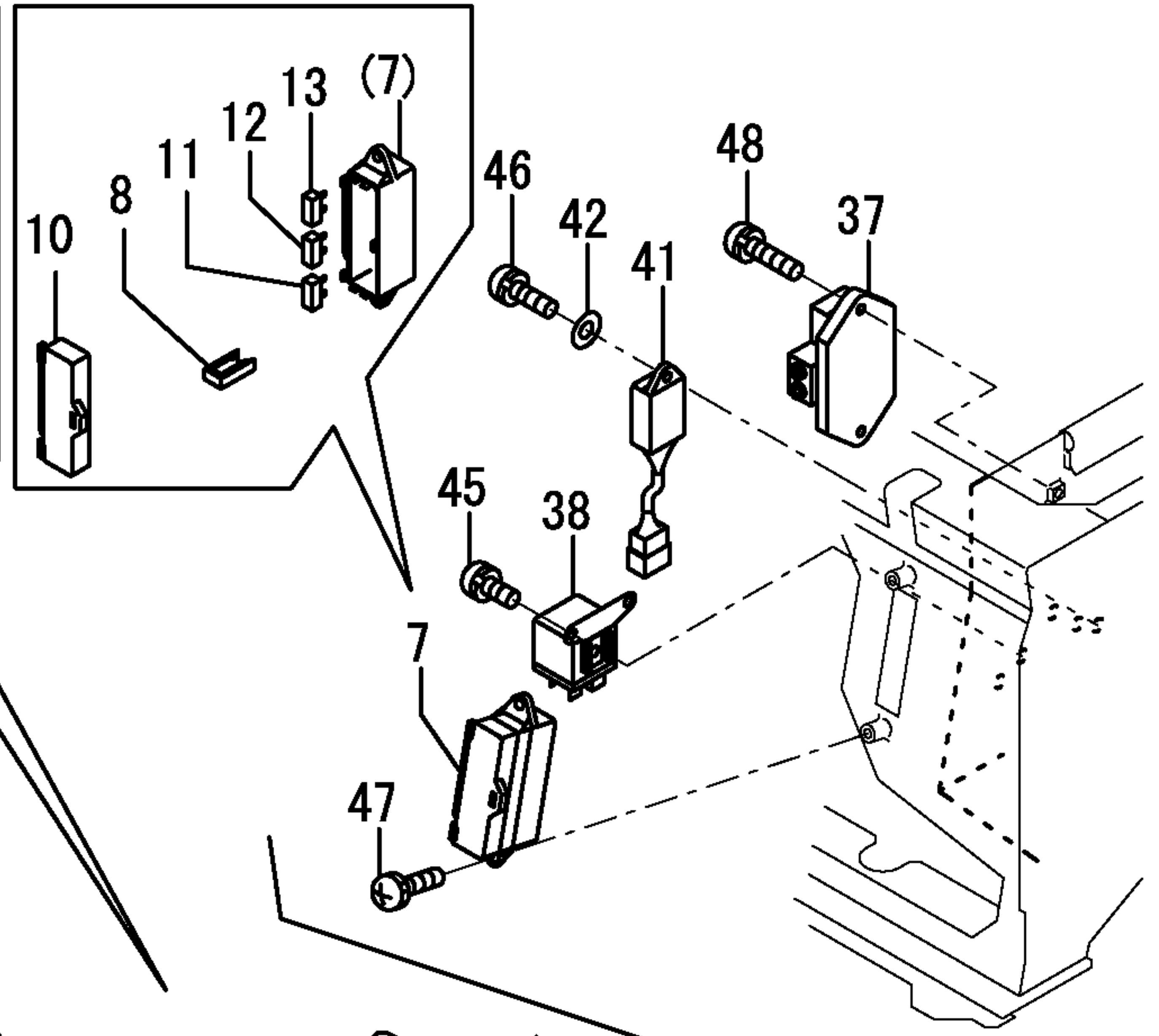
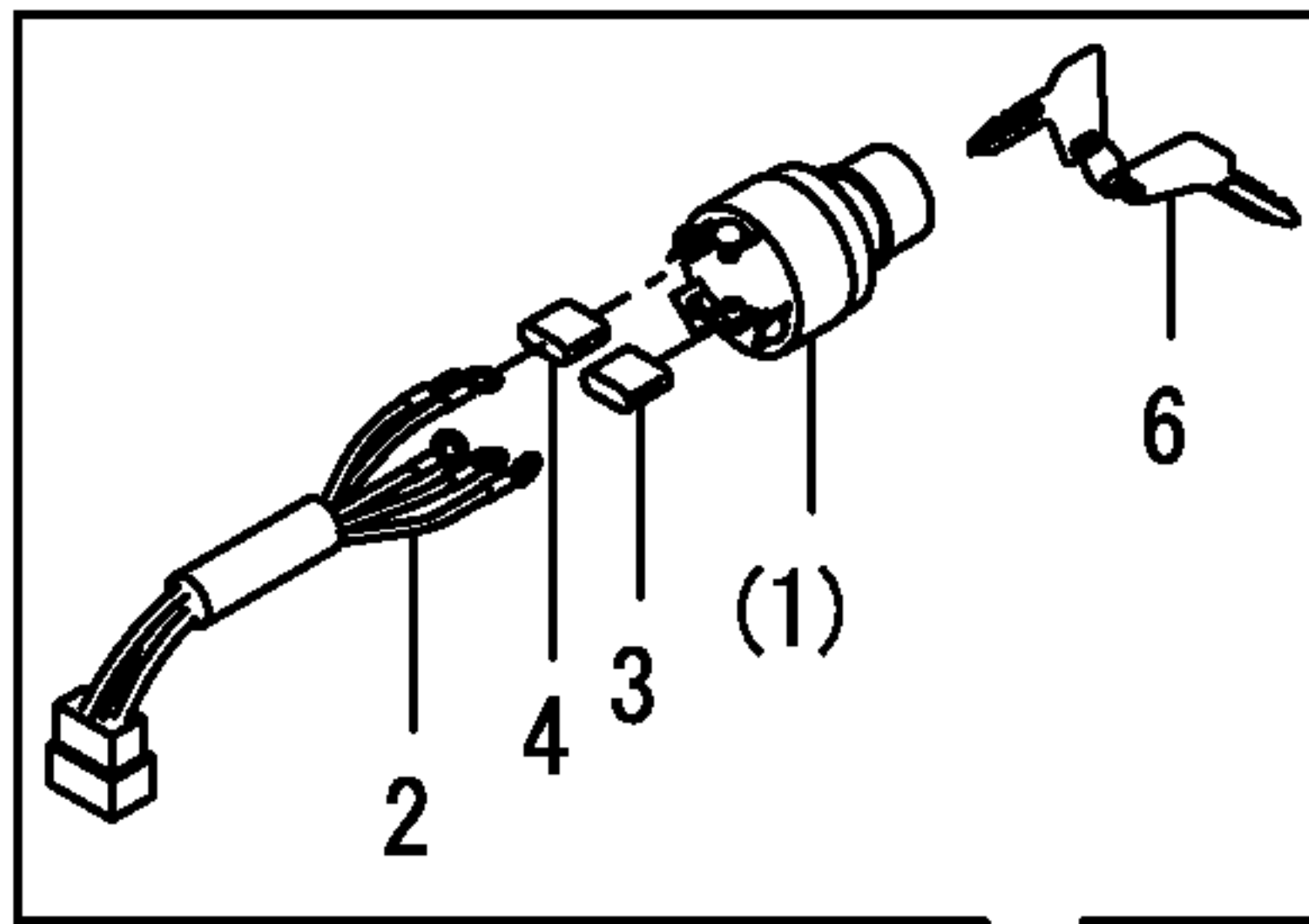
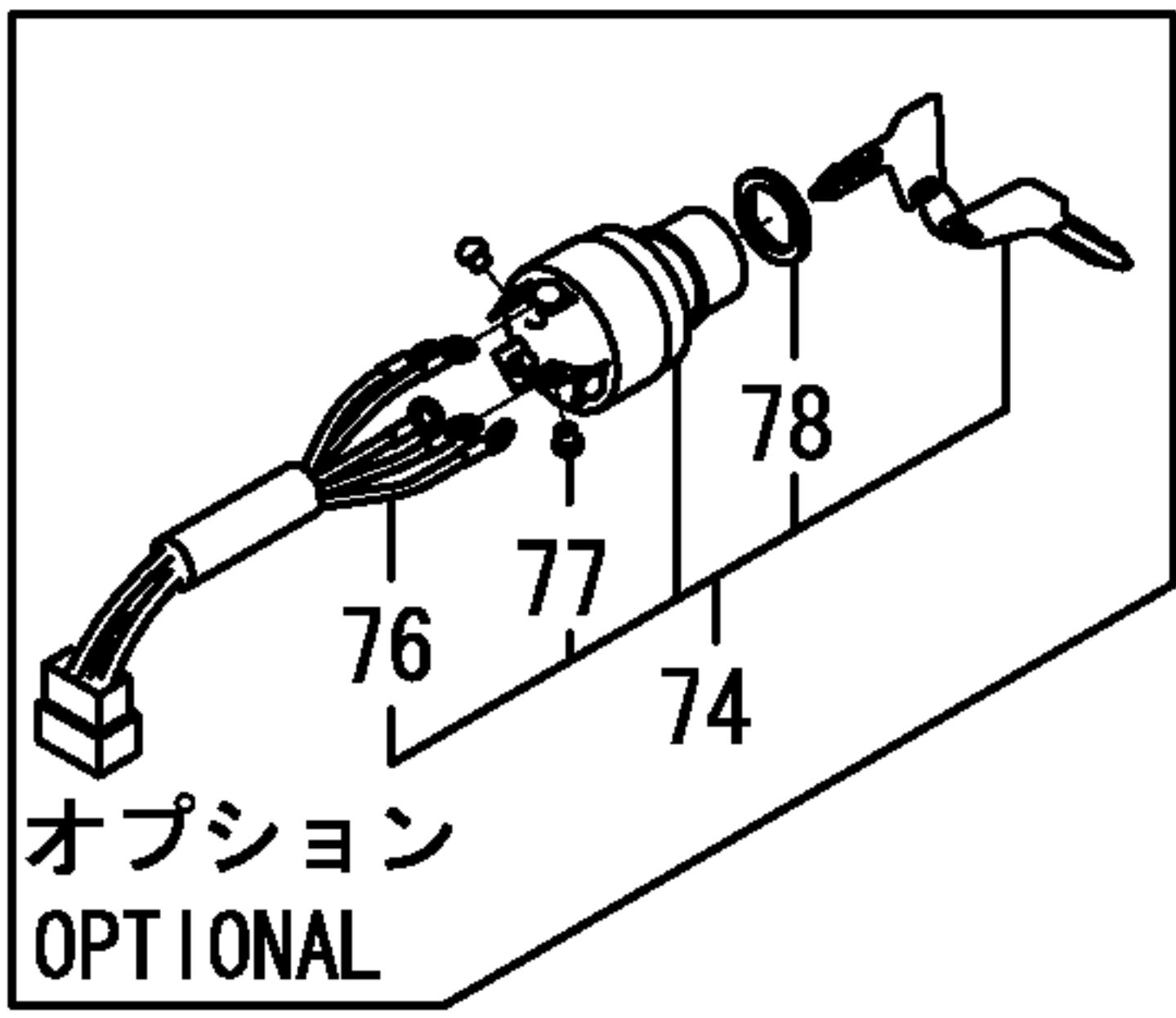
ジェネレータ  
GENERATOR

REFER TO Fig. 37



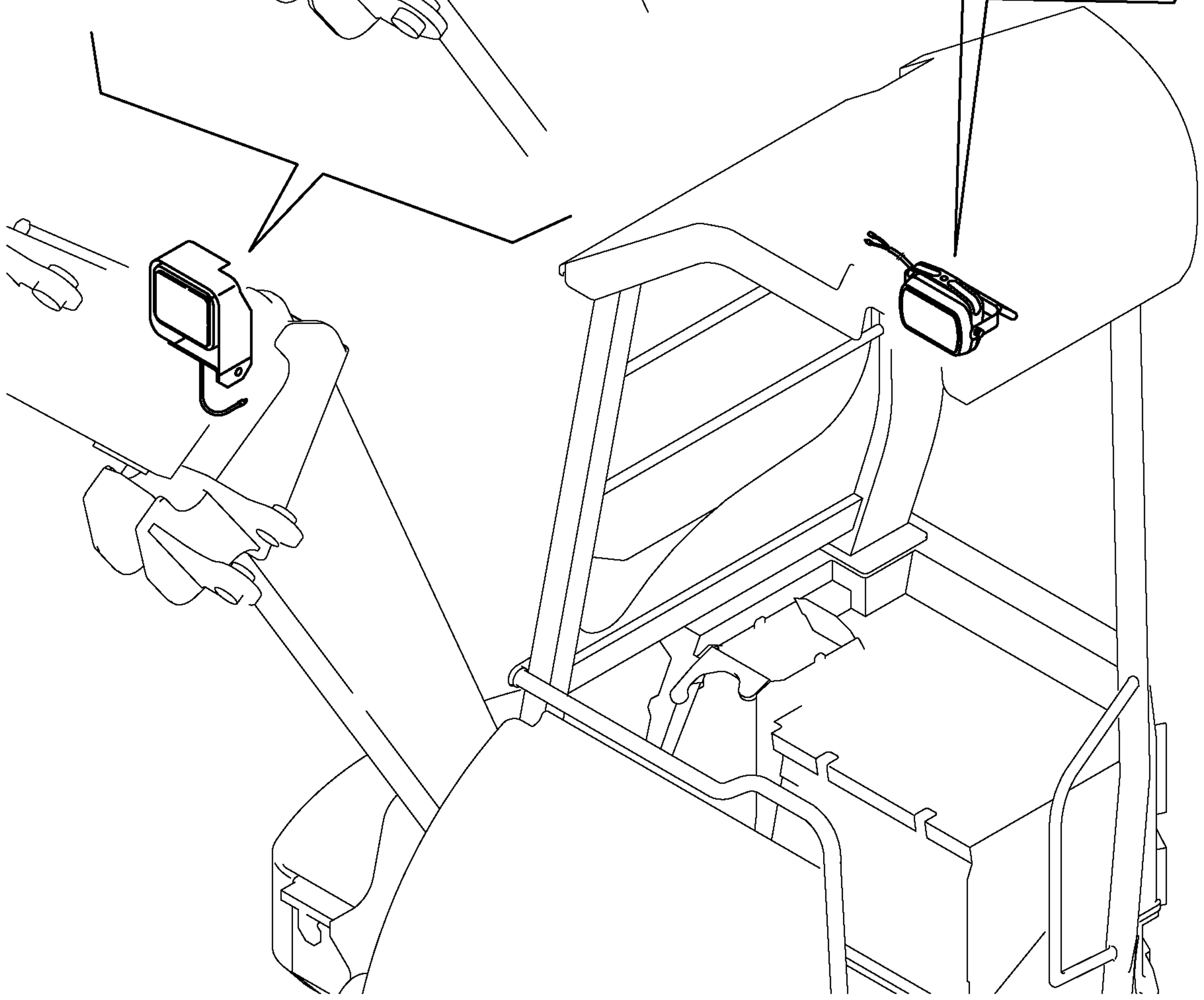
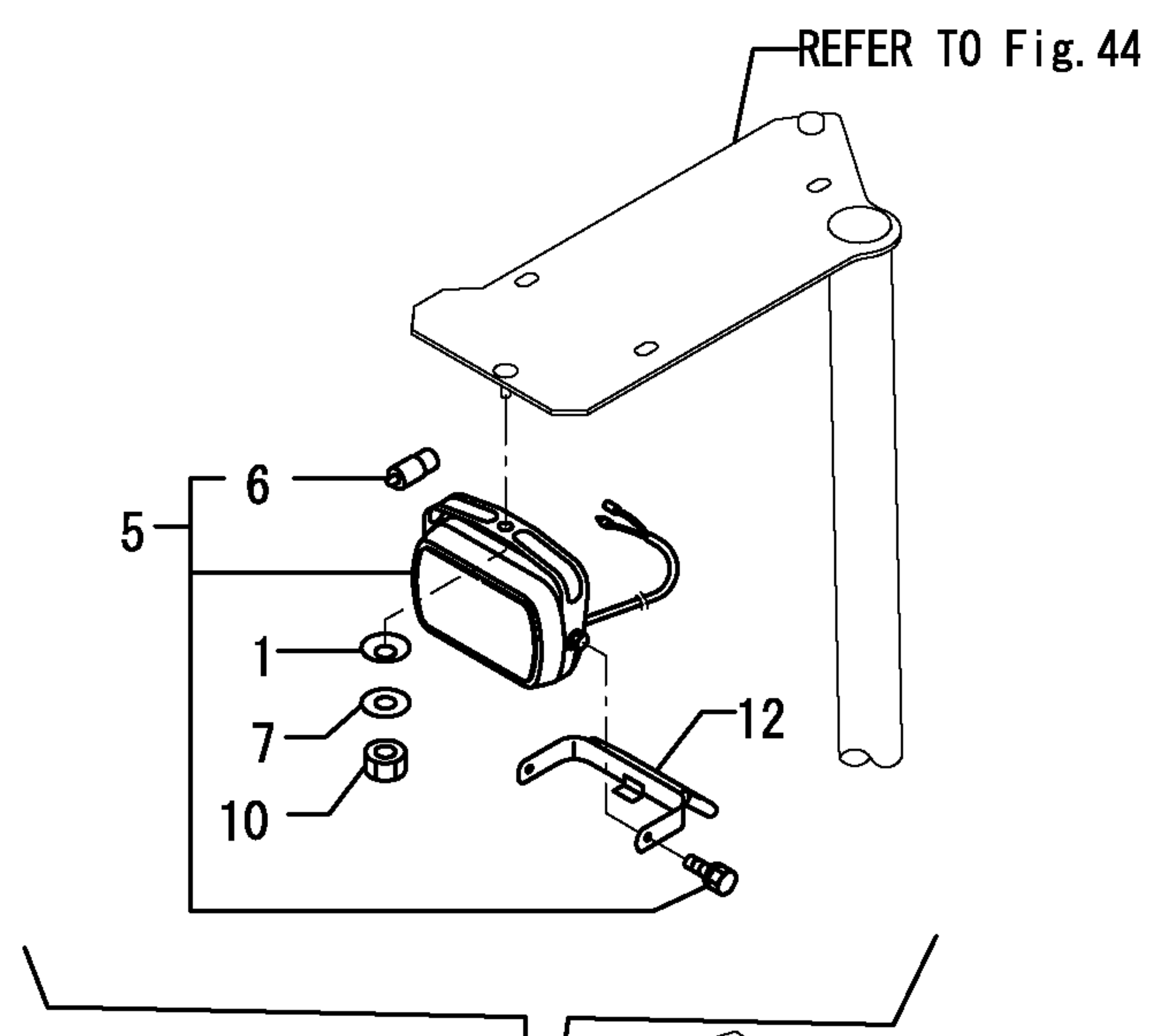
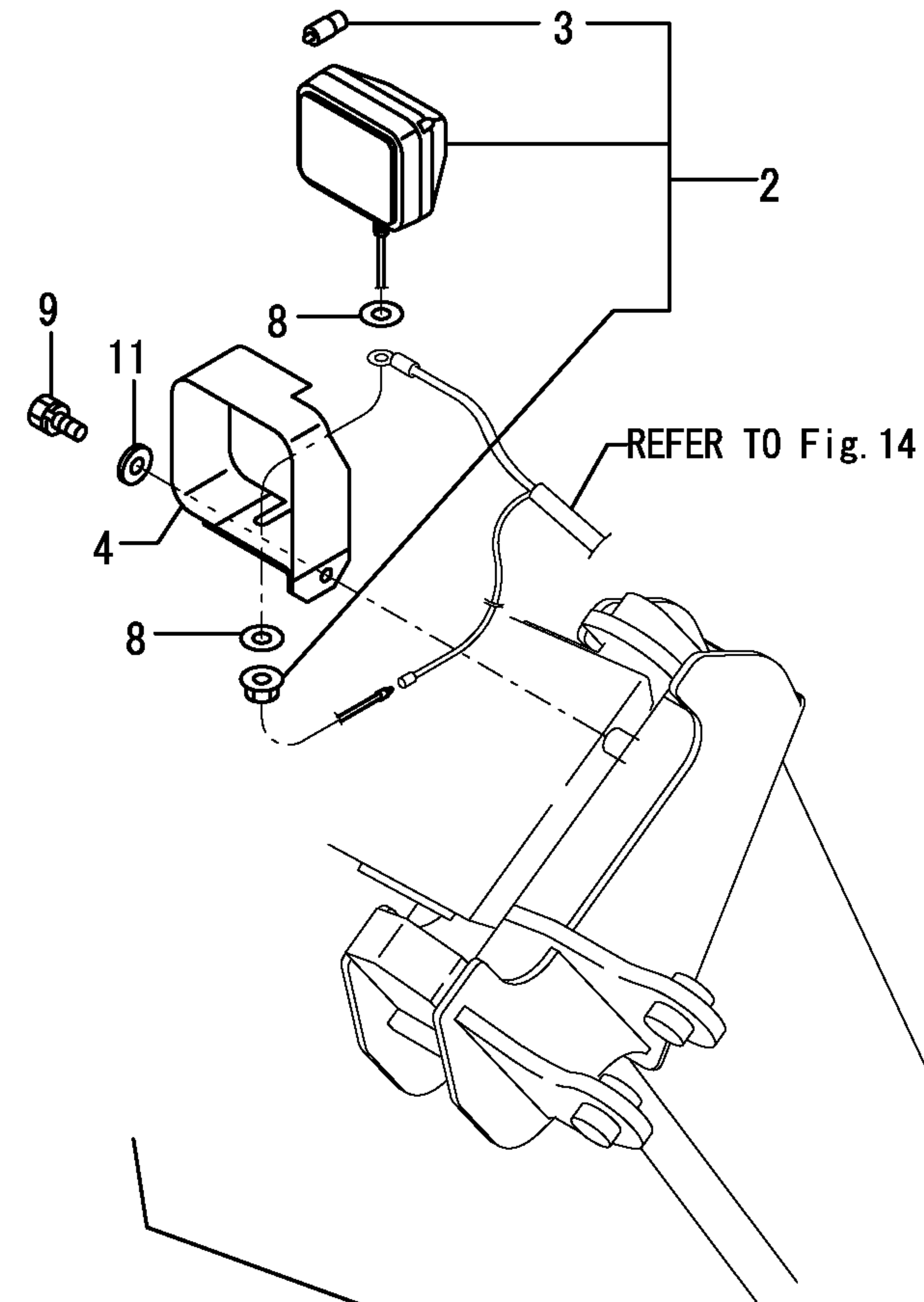
1,1,,172187-17100,, "SWITCH, START",1,1,1,,,,,,,,,,,,,  
2,2,,172187-17070,, CODE,1,1,1,,,,,,,,,,,,,  
3,2,,172187-17080,, "COVER M5",3,3,3,,,,,,,,,,,,,  
4,2,,172187-17090,, "COVER M4",2,2,2,,,,,,,,,,,,,  
6,2,,933110-00301,, "KEY ASSY",1,1,1,,,,,,,,,,,,,  
7,1,,172187-17200,, "BOX, FUSE",1,1,1,,,,,,,,,,,,,  
8,2,,172175-17120,, PULLER,1,1,1,,,,,,,,,,,,,  
10,2,,172187-17220,, COVER,1,1,1,,,,,,,,,,,,,  
11,2,,29420-050000,, HUSE,2,2,2,,,,,,,,,,,,,  
12,2,,29420-150000,, HUSE,6,6,6,,,,,,,,,,,,,  
13,2,,29420-300000,, "FUSE B30",2,2,2,,,,,,,,,,,,,  
14,1,,172187-17550,, "BOX, INDICATOR",1,,,,,,,,,,,,,  
14-1,1,,172444-17550,, "INDICATOR BOX",1,1,,,,,N,,72444147,M/#30501,,,,,,,,,,,,,  
18,3,,172187-17280,, "SWITCH ASSY, LIGHT",1,1,,,,,,,,,,,,,I  
20,3,,172187-17320,, PACKING,1,1,,,,,,,,,,,,,I  
22,3,,172187-17341,, "GAUGE ASSY",1,1,,,,,,,,,,,,,I  
23,3,,172187-17350,, "METER ASSY, HOUR",1,1,,,,,,,,,,,,,I  
24,3,,172187-17360,, "PRINT,CIRCUIT",1,1,,,,,,,,,,,,,I  
25,3,,172187-17371,, "CIRCUIT ASSY",1,1,,,,,,,,,,,,,I  
26,3,,172187-17380,, "BULB,T6.5-13.5V-2W",4,4,,,,,,,,,,,,,  
30,3,,172187-17470,, PLATE,1,1,,,,,,,,,,,,,I  
31,3,,172187-17480,, "BULB,T5-14V-2W",2,2,,,,,,,,,,,,,  
32,3,,172187-17560,, CAP,2,2,,,,,,,,,,,,,I  
33,3,,172187-17570,, GASKET,2,2,,,,,,,,,,,,,I  
35,1,,194151-57100,, HORN,1,1,1,,,,,,,,,,,,,  
36,1,,172519-63240,, "BOLT 8X 16",4,4,4,,,,,,,,,,,,,  
37,1,,129136-77200,, "RELAY, SAFETY",1,1,1,,,,,,,,,,,,,  
38,1,,119650-77910,, "RELAY, GROW",1,1,1,,,,,,,,,,,,,  
41,1,,119632-77922,, TIMER,1,1,,,,,,,,,,,,,  
41-1,1,,129211-77920,, TIMER,,1,1,,,,,R,,,,72444407,M/#36858,,,,,,,,,,,,,I  
42,1,,22137-060000,, "WASHER 6, POLISHED",1,1,1,,,,,,,,,,,,,  
43,1,,26013-060162,, "BOLT M 6X 16",2,2,2,,,,,,,,,,,,,  
44,1,,26013-060202,, "BOLT M 6X 20",2,,,,,,Z,,72444130,M/#30505,,,,,,,,,,,,,  
45,1,,26022-060122,, "SCREW M 6X 12",2,2,2,,,,,,,,,,,,,  
46,1,,26022-060162,, "SCREW M 6X 16",1,1,1,,,,,,,,,,,,,  
47,1,,26022-060202,, "SCREW M 6X 20",2,2,2,,,,,,,,,,,,,  
48,1,,26022-060202,, "SCREW M 6X 20",2,2,2,,,,,,,,,,,,,  
49,1,,933168-55770,, "BAND 146",1,1,1,,,,,W,,72444345,M/#30820,,,,,,,,,,,,,  
50,1,,194464-52190,, "SWITCH, SAFETY START",1,1,1,,,,,,,,,,,,,  
51,1,,26776-180002,, "NUT M18,LOCK",1,1,1,,,,,,,,,,,,,  
52,1,,172164-17140,, SWITCH,1,1,1,,,,,,,,,,,,,  
53,1,,26776-160002,, "LOCK NUT M16 PLATED",1,1,1,,,,,,,,,,,,,  
54,1,,172444-17100,, "PLATE (A)",1,,,,,,Z,,72444130,M/#30505,,,,,,,,,,,,,  
55,1,,172187-17253,, "BOX, INDICATOR",,,1,,,,,,,,,,,,,I  
58,2,,172187-17280,, "SWITCH ASSY, LIGHT",,,1,,,,,,,,,,,,,I  
59,2,,172187-17290,, "SWITCH, HEATER",,,1,,,,,,,,,,,,,I  
60,2,,172187-17301,, "SWITCH ASSY, WIPER",,,1,,,,,,,,,,,,,I  
62,2,,172187-17320,, PACKING,,1,,,,,,,,,,,,,I  
64,2,,172187-17341,, "GAUGE ASSY",,,1,,,,,,,,,,,,,I  
65,2,,172187-17350,, "METER ASSY, HOUR",,,1,,,,,,,,,,,,,I  
66,2,,172187-17360,, "PRINT,CIRCUIT",,,1,,,,,,,,,,,,,I  
67,2,,172187-17371,, "CIRCUIT ASSY",,,1,,,,,,,,,,,,,I  
68,2,,172187-17380,, "BULB,T6.5-13.5V-2W",,,4,,,,,,,,,,,,,I  
72,2,,172187-17470,, PLATE,,1,,,,,,,,,,,,,I  
73,2,,172187-17480,, "BULB,T5-14V-2W",,,2,,,,,,,,,,,,,I  
74,1,,172458-17170,, "KEY ASSY",1,1,1,,,,,1,,,,,,,,,,,,,I  
76,3,,172458-17150,, HARNESS,1,1,1,,,,,,,,,,,,,I  
77,3,,26022-050102,, "SCREW M 5X 10",5,5,5,,,,,,,,,,,,,I  
78,2,,172458-17160,, PLATE,1,1,1,,,,,,,,,,,,,I





1,1,,194200-01150,, "WASHER, SPRING",1,1,,,,,,,,,,,,,  
2,1,,172141-17201,, "LAMP, WORK",1,1,1,,,,,,,,,,,,,  
3,2,,172141-17211,, "BULB 12V55W",1,1,1,,,,,,,,,,,,,  
4,1,,172137-17401-4,, "COVER, WORK LAMP",1,1,1,,,,,,,,,,,,,  
5,1,,172187-17500,, "LAMP, CABIN",1,1,,,,,,,,,,,,,  
6,2,,172187-17540,, "BULB (12V 55W",1,1,,,,,,,,,,,,,  
7,1,,22137-100000,, "WASHER 10,POLISHED",1,1,,,,,,,,,,,,,  
8,1,,22137-130000,, "WASHER 13",2,2,2,,,,,,,,,,,,,  
9,1,,26013-120252,, "BOLT M12X 25",1,1,1,,,,,,,,,,,,,  
10,1,,26346-100002,, "U-NUT M10 PLATED",1,1,,,,,,,,,,,,,  
11,1,,933152-03700,, "WASHER, SIDE CLUTCH",1,1,1,,,,,,,,,,,,,  
12,1,,172444-17400,, HANDLE,1,1,,,,,W,,72444315,M/#30820,,,,,,,,,,





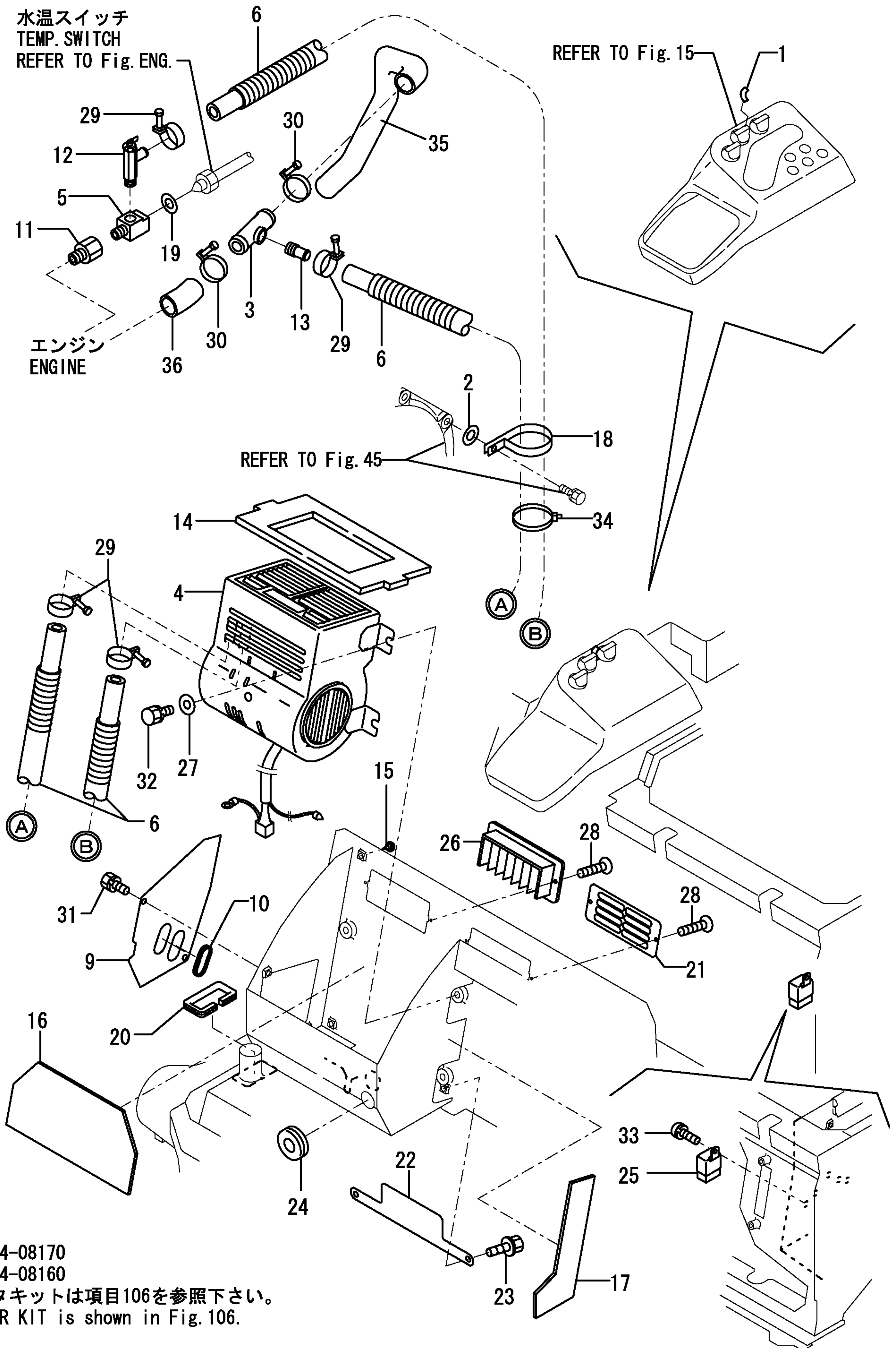
1,2,,172187-03690,, "LABEL(HEATER SWITCH" ,,,1,,,,,,,,,,,,,,,,,,,,,I  
2,2,,194145-04810,, "WASHER 10" ,,,1,,,,,,,,,,,,,,,,,,,,,I  
3,2,,172141-13490,, JOINT ,,,1,,,,,,,,,,,,,,,,,,,,,I  
4,2,,172162-17602,, HEATER ,,,1,,,,,,,,,,,,,,,,,,,,,I  
5,2,,172168-17600,, "CONNECTOR PT3/8-M16" ,,,1,,,,,,,,,,,,,,,,,,,,,I  
6,2,,172165-17610,, "HOSE, HEATER" ,,,2,,,,,,,,,,,,,,,,,,,,,I  
9,2,,172444-17610,, "PLATE,HEATER" ,,,1,,,,,,,,,,,,,,,,,,,,,I  
10,2,,172444-17620,, "SEAL 125" ,,,2,,,,,,,,,,,,,,,,,,,,,I  
11,2,,172137-17631,, "JOINT, HEATER" ,,,1,,,,,,,,,,,,,,,,,,,,,I  
12,2,,172425-17630,, "VALVE ASSY, HEATER" ,,,1,,,,,,,,,,,,,,,,,,,,,I  
13,2,,172124-17640,, "JOINT 3/8" ,,,1,,,,,,,,,,,,,,,,,,,,,I  
14,2,,172444-17650,, SPONGE ,,,1,,,,,,,,,,,,,,,,,,,,,I  
15,2,,172444-17660,, CLIP ,,,2,,,,,,,,,,,,,,,,,,,,,I  
16,2,,172444-17670,, "SPONGE A" ,,,1,,,,,,,,,,,,,,,,,,,,,I  
17,2,,172444-17690,, "SPONGE C" ,,,1,,,,,,,,,,,,,,,,,,,,,I  
18,2,,172165-18770,, "GUIDE, HOSE" ,,,1,,,,,,,,,,,,,,,,,,,,,I  
19,2,,124465-44950,, "GASKET 16" ,,,2,,,,,,,,,,,,,,,,,,,,,I  
20,2,,172162-61870,, "RUBBER 200,EDGE" ,,,1,,,,,,,,,,,,,,,,,,,,,I  
21,2,,172444-62390,, COVER ,,,1,,,,,,,,,,,,,,,,,,,,,I  
22,2,,172444-62480,, COVER ,,,1,,,,,,,,,,,,,,,,,,,,,I  
23,2,,172519-63240,, "BOLT 8X 16" ,,,2,,,,,,,,,,,,,,,,,,,,,I  
24,2,,172142-76290,, "GROMMET 28X2.3" ,,,1,,,,,,,,,,,,,,,,,,,,,I  
25,2,,119247-77100,, "RELAY, SAFETY" ,,,1,,,,,,,,,,,,,,,,,,,,,I  
26,2,,197830-88611,, GRILLE ,,,1,,,,,,,,,,,,,,,,,,,,,I  
27,2,,22137-100000,, "WASHER 10,POLISHED" ,,,3,,,,,,,,,,,,,,,,,,,,,I  
28,2,,22869-400160,, SCREW ,,,4,,,,,,,,,,,,,,,,,,,,,I  
29,2,,23000-022000,, "CLAMP 22" ,,,4,,,,,,,,,,,,,,,,,,,,,I  
30,2,,23010-038000,, "CLAMP 38" ,,,2,,,,,,,,,,,,,,,,,,,,,I  
31,2,,26013-080162,, "BOLT W/WASHER M8X16" ,,,2,,,,,,,,,,,,,,,,,,,,,I  
32,2,,26013-100162,, "BOLT M10X 16" ,,,3,,,,,,,,,,,,,,,,,,,,,I  
33,2,,26022-060122,, "SCREW M 6X 12" ,,,1,,,,,,,,,,,,,,,,,,,,,I  
34,2,,933152-09280,, "BAND 170" ,,,1,,,,,,,,,,,,,,,,,,,,,I

水温スイッチ  
TEMP. SWITCH  
REFER TO Fig. ENG.

REFER TO Fig. 15

エンジン  
ENGINE

REFER TO Fig. 45

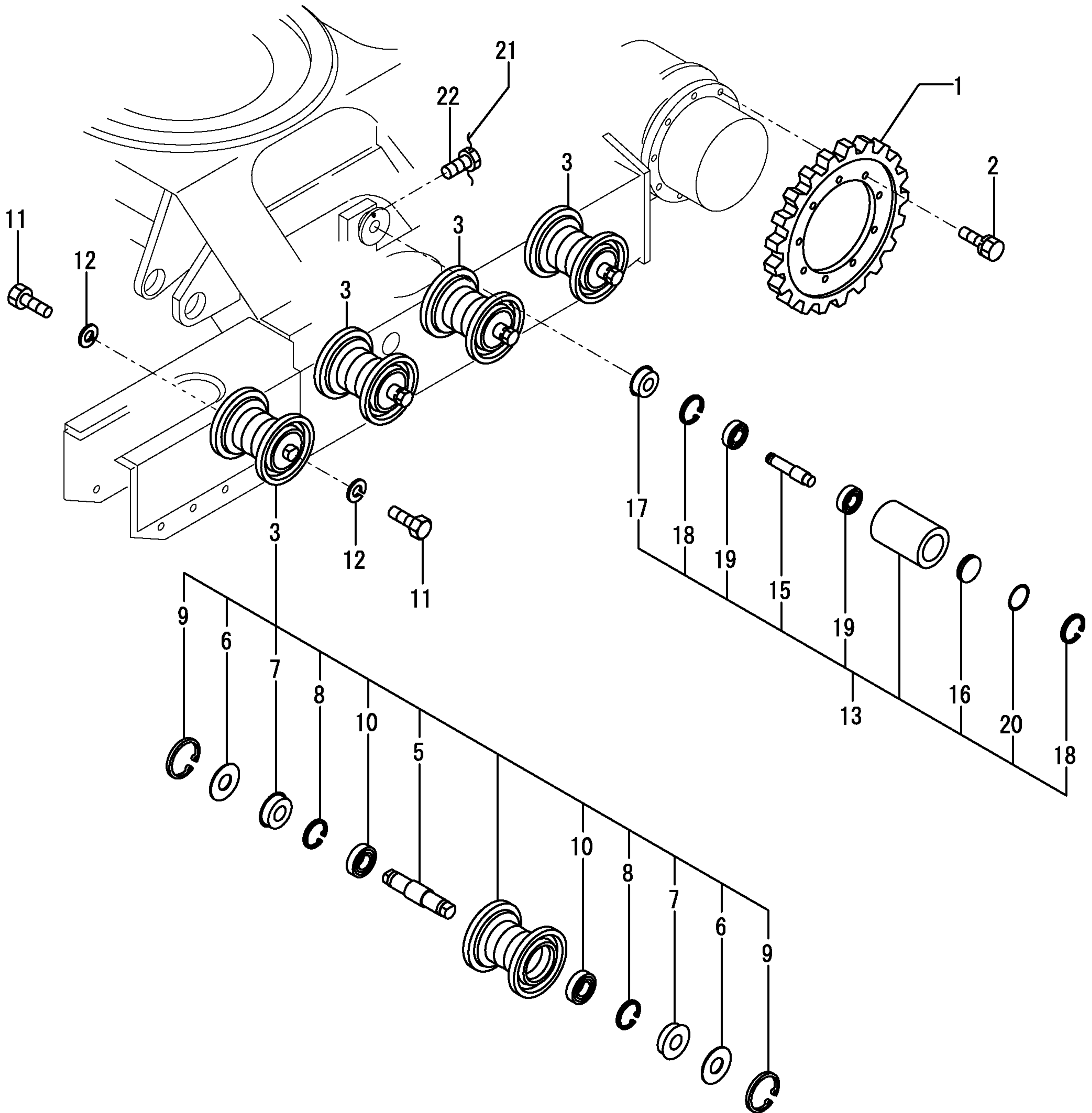


172444-08170  
172444-08160

ヒータキットは項目106を参照下さい。  
HEATER KIT is shown in Fig. 106.

1,1,,172141-29110,, "SPROCKET (GREEN:88)",2,,,,,,,,,,,,,  
2,1,,26013-120302,, "BOLT W/WASHER M12X30",18,,,,,,,,,,,,,  
2-1,1,,26013-120352,, "BOLT M12X 35",18,,,,,,N,,72458198,M/#30501,,,,,,,,,I  
3,1,,772422-37300,, "ROLLER ASSY, TRACK",8,,,,,,,,,,,,,  
5,2,,172422-37310,, SHAFT,8,,,,,,,,,,,,,  
6,2,,172141-37320,, "SPACER 75X2.6",16,,,,,,,,,,,,,  
7,2,,1A1030-48250,, "SEAL QLF30621218,OIL",16,,,,,,,,,,,,,  
8,2,,22252-000620,, "CIRCLIP 62(H)",16,,,,,,,,,,,,,  
9,2,,22252-000750,, "CIRCLIP 75",16,,,,,,,,,,,,,  
10,2,,933111-73800,, BEARING,16,,,,,,,,,,,,,  
11,1,,172162-82980,, "BOLT M16X 35",16,,,,,,,,,,,,,  
12,1,,22217-160000,, "SPRING WASHER 16",16,,,,,,,,,,,,,  
13,1,,772116-37502,, "ROLLER ASSY, CARIA",2,,,,,,,,,,,,,  
15,2,,172146-37510,, "SHAFT, CARIA ROLLER",2,,,,,,,,,,,,,  
16,2,,172116-37540,, "COVER, BLIND",2,,,,,,,,,,,,,  
17,2,,1E6140-73420,, "SEAL QLF255218, OIL",2,,,,,,,,,,,,,  
18,2,,22252-000520,, "CIRCLIP 52",4,,,,,,,,,,,,,  
19,2,,24101-062054,, "BEARING #6205",4,,,,,,,,,,,,,  
20,2,,24311-000460,, "O-RING 1A P-46.0",2,,,,,,,,,,,,,  
21,1,,22451-160170,, "WIRE 1.6X170",2,,,,,,,,,,,,,  
22,1,,933110-21600,, "BOLT M 8X 18",2,,,,,,,,,,,,,

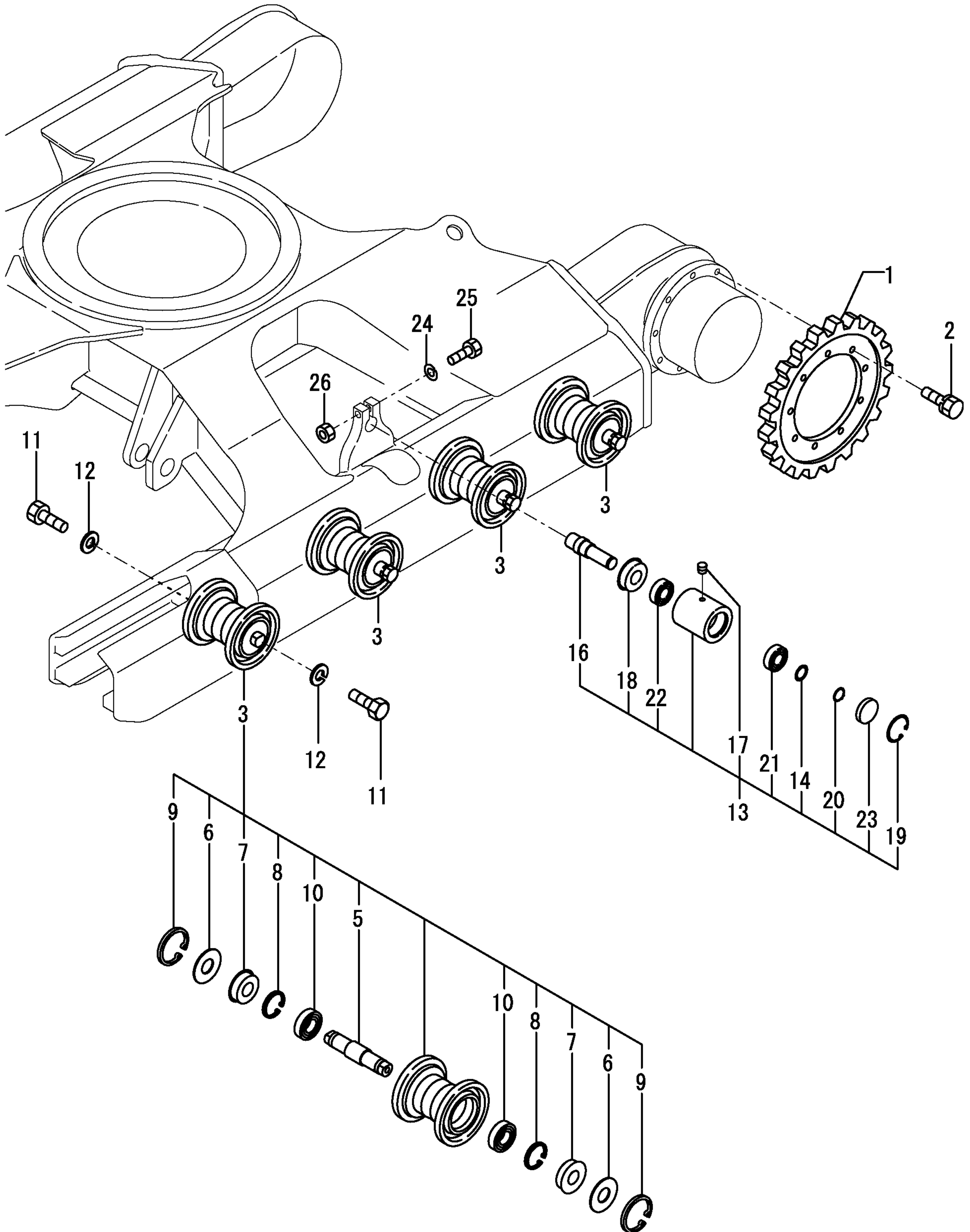
~M/# 35101



1,1,,172141-29110,, "SPROCKET (GREEN:88)",,2,2,,,,,,,,,,,,,,,,,,,,,I  
2,1,,26013-120352,, "BOLT M12X 35",,18,18,,,,,,,,,,,,,,,,,,,,,I  
3,1,,772450-37300,, "ROLLER,TRACK(GREEN88)",,8,,,,,,,,,,,,,,,,,,,,,I  
3-1,1,,172441-37301,, "ROLLER,TRACK  
(88)",,8,8,,,,,R,,,,,724580545,M/#36872,,,,,,,,,,,,,I  
5,2,,172422-37310,, "SHAFT",,8,8,,,,,,,,,,,,,,,,,,,,,I  
6,2,,172141-37320,, "SPACER 75X2.6",,16,,,,,Z,,,,,72444406,M/#36837,,,,,,,,,,,,,I  
7,2,,1A1030-48250,, "SEAL QLF30621218,OIL",,16,16,,,,,,,,,,,,,,,,,,,,,I  
8,2,,22252-000620,, "CIRCLIP 62(H)",,16,16,,,,,,,,,,,,,,,,,,,,,I  
9,2,,22252-000750,, "CIRCLIP 75",,16,,,,,Z,,,,,72444406,M/#36837,,,,,,,,,,,,,I  
10,2,,933111-73800,, "BEARING",,16,16,,,,,,,,,,,,,,,,,,,,,I  
11,1,,172162-82980,, "BOLT M16X 35",,16,16,,,,,,,,,,,,,,,,,,,,,I  
11-1,1,,172490-37310,, "BOLT  
M16X30",,16,16,,,,,N,,,,,72423135,M/#36871,72423135,M/#36871,,,,,,,,,,,,,I  
12,1,,22217-160000,, "SPRING WASHER  
16",,16,16,,,,,Z,,,,,72423135,M/#36871,72423135,M/#36871,,,,,,,,,,,,,I  
13,1,,772458-37500,, "ROLLER.CARRIER (88)",,2,,,,,,,,,,,,,,,,,,,,,I  
13-1,1,,172458-37500,, "ROLLER,CARRIER  
(88)",,2,2,,,,,R,,,,,72458531,M/#36804,,,,,,,,,,,,,I  
14,2,,172614-23190,, "COLLAR 25X34X2",,2,,,,,,,,,,,,,,,,,,,,,I  
14-1,2,,172458-37540,, "COLLAR",,2,2,,,,,R,,,,,72458531,M/#36804,,,,,,,,,,,,,I  
16,2,,172458-37520,, "SHAFT, CARIA ROLLER",,2,2,,,,,,,,,,,,,,,,,,,,,I  
17,2,,194630-42120,, "PLUG PT1/8",,2,2,,,,,,,,,,,,,,,,,,,,,I  
18,2,,1A1030-48250,, "SEAL QLF30621218,OIL",,2,,,,,,,,,,,,,,,,,,,,,I  
18-1,2,,172458-37530,, "OIL SEAL",,2,2,,,,,R,,,,,72458531,M/#36804,,,,,,,,,,,,,I  
19,2,,22242-000250,, "CIRCLIP 25S",,2,2,,,,,,,,,,,,,,,,,,,,,I  
20,2,,22252-000521,, "CIRCLIP 52",,2,2,,,,,,,,,,,,,,,,,,,,,I  
21,2,,24101-062054,, "BEARING #6205",,2,2,,,,,,,,,,,,,,,,,,,,,I  
22,2,,24102-062054,, "BALL BEARING",,2,2,,,,,,,,,,,,,,,,,,,,,I  
23,2,,27260-520000,, "COVER 52, BLIND",,2,2,,,,,,,,,,,,,,,,,,,,,I  
24,1,,22217-140000,, "SPRING WASHER 14",,2,2,,,,,,,,,,,,,,,,,,,,,I  
25,1,,26116-140652,, "BOLT M14X 65 PLATED",,2,2,,,,,,,,,,,,,,,,,,,,,I  
26,1,,26716-140002,, "NUT M14",,2,2,,,,,,,,,,,,,,,,,,,,,I



M/# 36001~

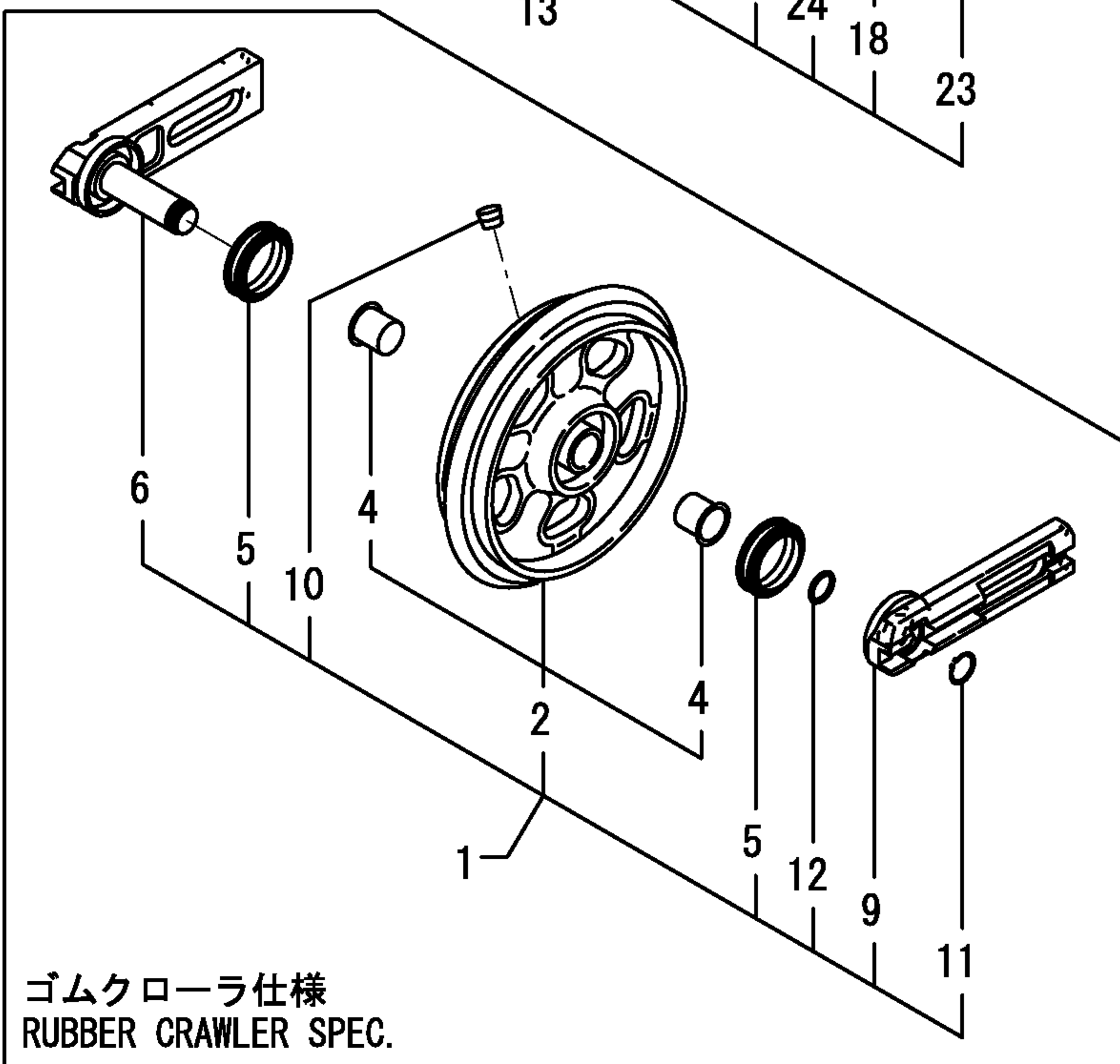
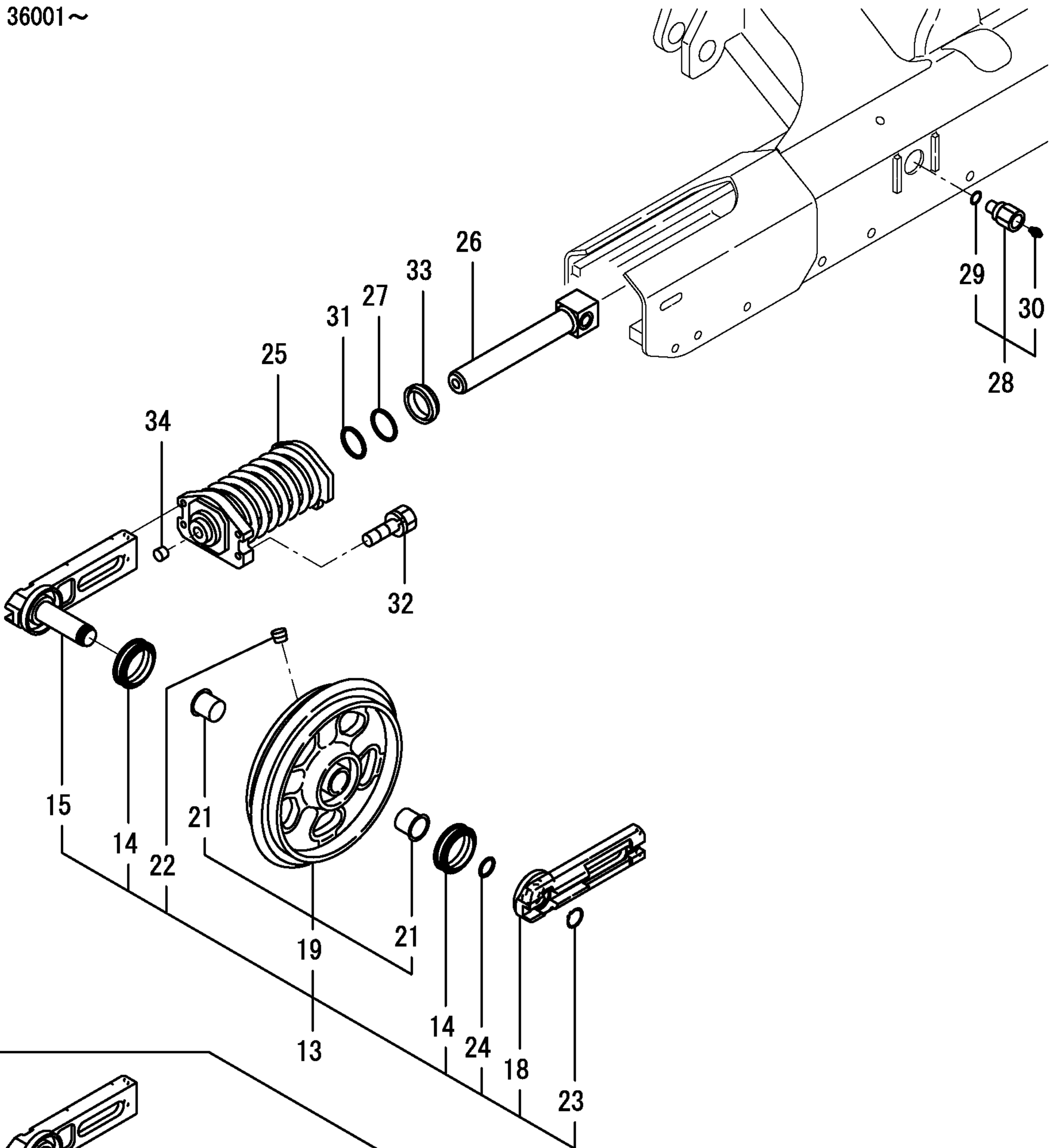


1,1,,772422-37100,, "IDLER 289",2,,,,,,,,,,,,,,,,,,,,,  
2,2,,172422-37100,, IDLER,2,,,,,,,,,,,,,,,,,,,,,  
2-1,1,,172422-37101,, "IDLER 295",2,,,,,R,,72450001,M/#31017,,,,,,,,,,,,,  
3,2,,172141-37111,, "FORK(L), IDLER",2,,,,,,,,,,,,,,,,,,,,,  
4,2,,172141-37121,, "FORK(R), IDLER",2,,,,,,,,,,,,,,,,,,,,,  
5,2,,194630-42120,, "PLUG PT1/8",2,,,,,,,,,,,,,,,,,,,,,  
6,2,,772175-99490,, "FRONT IDLER KIT",2,,,,,,,,,,,,,,,,,,,,,  
7,3,,172164-37120,, "SEAL 45 85 8.5 19",4,,,,,,,,,,,,,,,,,,,,,  
8,3,,172175-37130,, "SHAFT, IDLE",2,,,,,,,,,,,,,,,,,,,,,  
9,3,,172631-37150,, "COLLER 35X45X34",2,,,,,,,,,,,,,,,,,,,,,  
10,3,,172631-37160,, "COLLER 35X45X22.5",4,,,,,,,,,,,,,,,,,,,,,  
11,3,,22242-000300,, "CIRCLIP 30",2,,,,,,,,,,,,,,,,,,,,,  
12,3,,22252-000800,, "CIRCLIP 80",4,,,,,,,,,,,,,,,,,,,,,  
13,3,,24101-063074,, BEARING,4,,,,,,,,,,,,,,,,,,,,,  
14,1,,172422-37700,, SPRING,2,,,,,,,,,,,,,,,,,,,,,  
15,1,,172422-37780,, "PISTON ASSY, ADJUST",2,,,,,,,,,,,,,,,,,,,,,  
16,1,,172122-37830,, "RING, BUCK UP",2,,,,,,,,,,,,,,,,,,,,,  
17,1,,172122-37843,, "VALVE ASSY, NIPPLE",2,,,,,,,,,,,,,,,,,,,,,  
18,2,,24315-000140,, "O-RING 1B P-14.0",2,,,,,,,,,,,,,,,,,,,,,  
19,2,,24761-020000,, "NIPPLE PT1/8,GREASE",2,,,,,,,,,,,,,,,,,,,,,  
20,1,,24325-000400,, "O-RING 1B G 40",2,,,,,,,,,,,,,,,,,,,,,  
21,1,,26013-100402,, "BOLT M10X 40",8,,,,,,,,,,,,,,,,,,,,,  
22,1,,933111-23600,, "SEAL 4052710",2,,,,,,,,,,,,,,,,,,,,,  
23,1,,933171-13691,, "PLUG PT1/8",2,,,,,,,,,,,,,,,,,,,,,  
24,1,,772175-37110,, "IDLER 280",2,,,,,,,,,,,,,,,,,,,,,  
25,2,,172175-37110,, "IDLER 280",2,,,,,,,,,,,,,,,,,,,,,  
26,2,,194630-42120,, "PLUG PT1/8",2,,,,,,,,,,,,,,,,,,,,,  
27,2,,172141-37111,, "FORK(L), IDLER",2,,,,,,,,,,,,,,,,,,,,,  
28,2,,172141-37121,, "FORK(R), IDLER",2,,,,,,,,,,,,,,,,,,,,,  
29,2,,172175-99490,, "IDLER KIT, FRONT",2,,,,,,,,,,,,,,,,,,,,,  
30,3,,172164-37120,, "SEAL 45 85 8.5 19",4,,,,,,,,,,,,,,,,,,,,,  
31,3,,172175-37130,, "SHAFT, IDLE",2,,,,,,,,,,,,,,,,,,,,,  
32,3,,172631-37150,, "COLLER 35X45X34",2,,,,,,,,,,,,,,,,,,,,,  
33,3,,172631-37160,, "COLLER 35X45X22.5",4,,,,,,,,,,,,,,,,,,,,,  
34,3,,22242-000300,, "CIRCLIP 30",2,,,,,,,,,,,,,,,,,,,,,  
35,3,,22252-000800,, "CIRCLIP 80",4,,,,,,,,,,,,,,,,,,,,,  
36,3,,24101-063074,, BEARING,4,,,,,,,,,,,,,,,,,,,,,





1,1,,772458-37100,, "IDLER 295 ASSY (88)",,2,2,,,,,,,,,,,,,,,,,,,,,I  
2,2,,172458-37100,, "IDLER 295 (GREEN:88)",,2,2,,,,,,,,,,,,,,,,,,,,,I  
4,3,,172423-37370,, BUSH,,4,4,,,,,,,,,,,,,,,,,,,,,I  
5,2,,172458-37120,, "FLOATING SEAL",,4,4,,,,,,,,,,,,,,,,,,,,,I  
6,2,,172458-37130,, SHAFT,,2,2,,,,,,,,,,,,,,,,,,,,,I  
9,2,,172458-37150,, COVER,,2,2,,,,,,,,,,,,,,,,,,,,,I  
10,2,,194630-42120,, "PLUG PT1/8",,2,2,,,,,,,,,,,,,,,,,,,,,I  
11,2,,22242-000300,, "CIRCLIP 30",,2,2,,,,,,,,,,,,,,,,,,,,,I  
12,2,,24321-000300,, "O-RING G30",,2,2,,,,,,,,,,,,,,,,,,,,,I  
13,1,,772458-37110,, "IDLER 280 ASSY (88)",,2,2,,,,,,,,,,,,,,,,,,,,,I  
14,2,,172458-37120,, "FLOATING SEAL",,4,4,,,,,,,,,,,,,,,,,,,,,I  
15,2,,172458-37130,, SHAFT,,2,2,,,,,,,,,,,,,,,,,,,,,I  
18,2,,172458-37150,, COVER,,2,2,,,,,,,,,,,,,,,,,,,,,I  
19,2,,172458-37170,, "IDLER 280 (GREEN:88)",,2,2,,,,,,,,,,,,,,,,,,,,,I  
21,3,,172423-37370,, BUSH,,4,4,,,,,,,,,,,,,,,,,,,,,I  
22,2,,194630-42120,, "PLUG PT1/8",,2,2,,,,,,,,,,,,,,,,,,,,,I  
23,2,,22242-000300,, "CIRCLIP 30",,2,2,,,,,,,,,,,,,,,,,,,,,I  
24,2,,24321-000300,, "O-RING G30",,2,2,,,,,,,,,,,,,,,,,,,,,I  
25,1,,172458-37700,, "SPRING, CRAWLER",,2,2,,,,,,,,,,,,,,,,,,,,,I  
26,1,,172422-37780,, "PISTON ASSY, ADJUST",,2,2,,,,,,,,,,,,,,,,,,,,,I  
27,1,,172122-37830,, "RING, BUCK UP",,2,2,,,,,,,,,,,,,,,,,,,,,I  
28,1,,172122-37844,, "VALVE ASSY, NIPPLE",,2,2,,,,,,,,,,,,,,,,,,,,,I  
29,2,,24315-000140,, "O-RING 1B P-14.0",,2,2,,,,,,,,,,,,,,,,,,,,,I  
30,2,,24761-020000,, "NIPPLE PT1/8,GREASE",,2,2,,,,,,,,,,,,,,,,,,,,,I  
31,1,,24325-000400,, "O-RING 1B G 40",,2,2,,,,,,,,,,,,,,,,,,,,,I  
32,1,,26013-100402,, "BOLT M10X 40",,8,8,,,,,,,,,,,,,,,,,,,,,I  
33,1,,933111-23600,, "SEAL 4052710",,2,2,,,,,,,,,,,,,,,,,,,,,I  
34,1,,933171-13691,, "PLUG PT1/8",,2,2,,,,,,,,,,,,,,,,,,,,,I

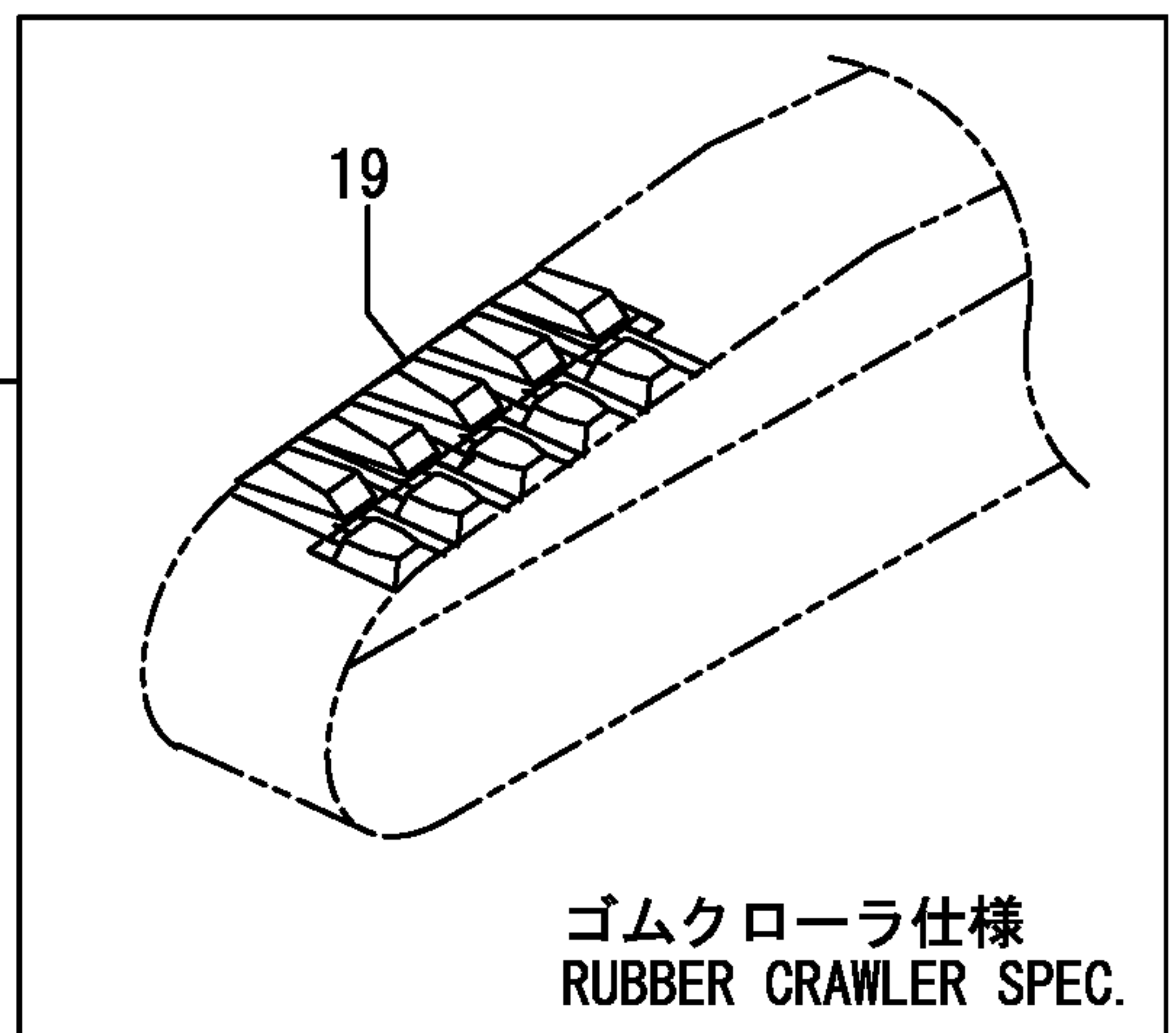
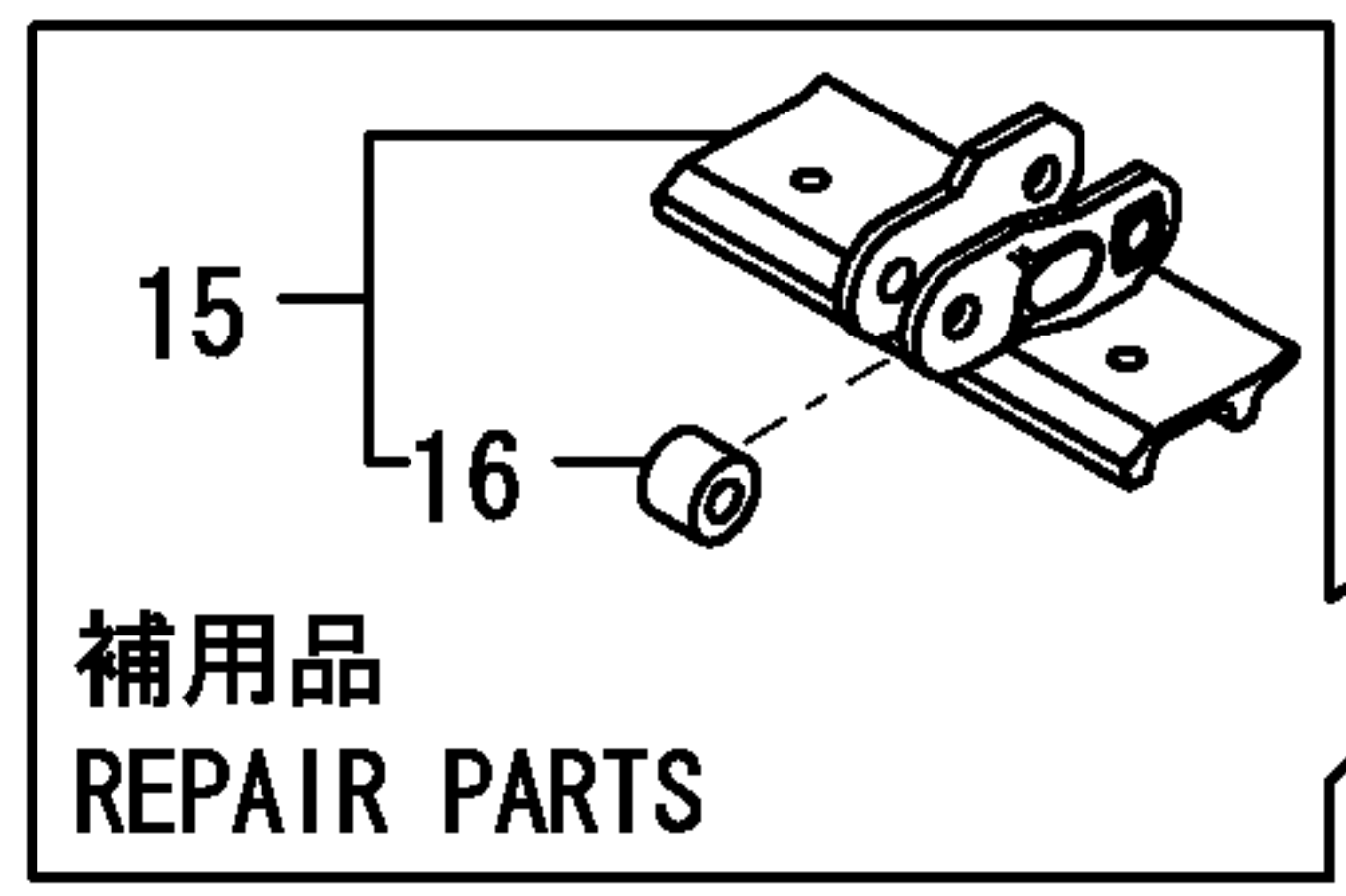
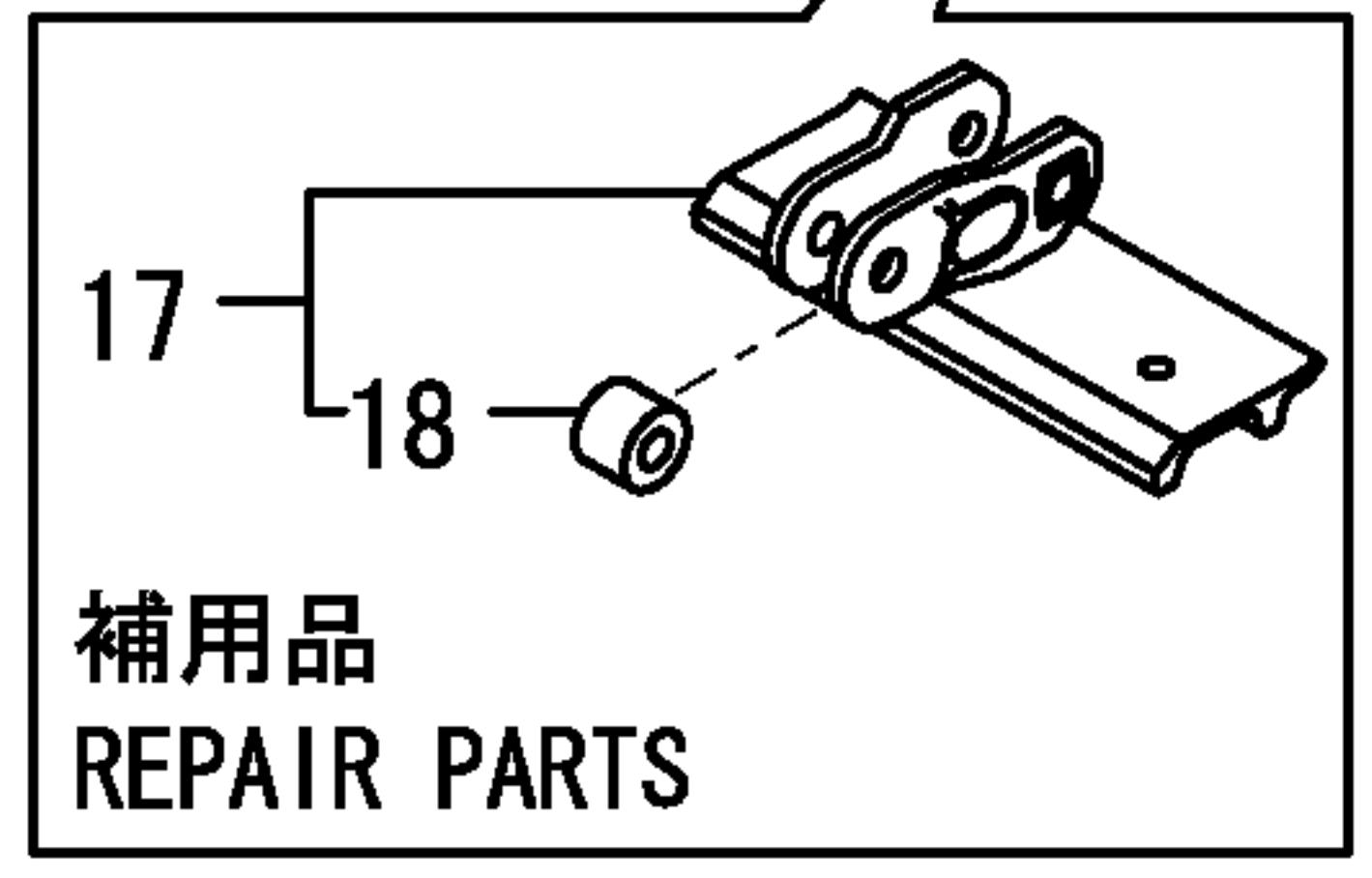
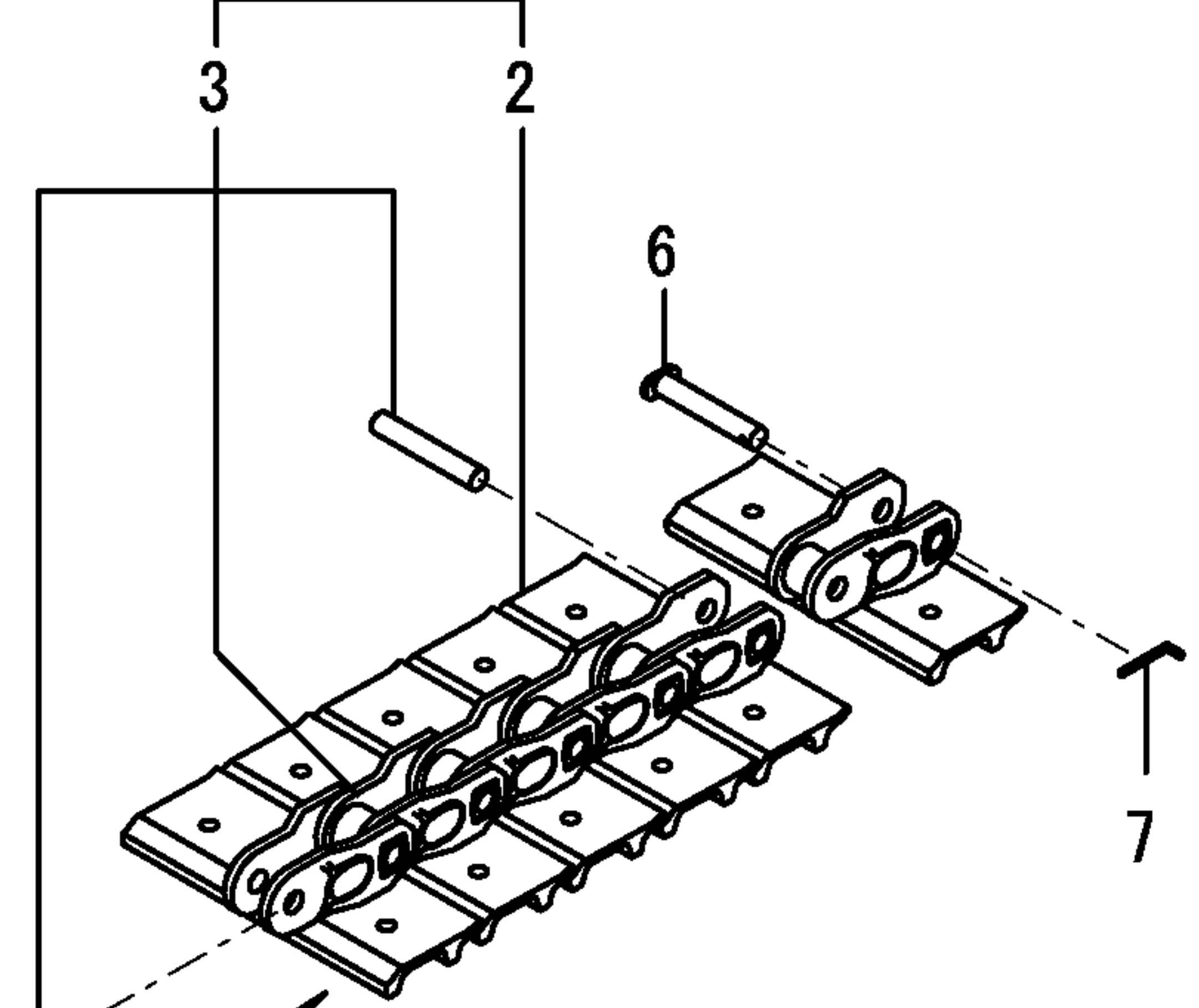
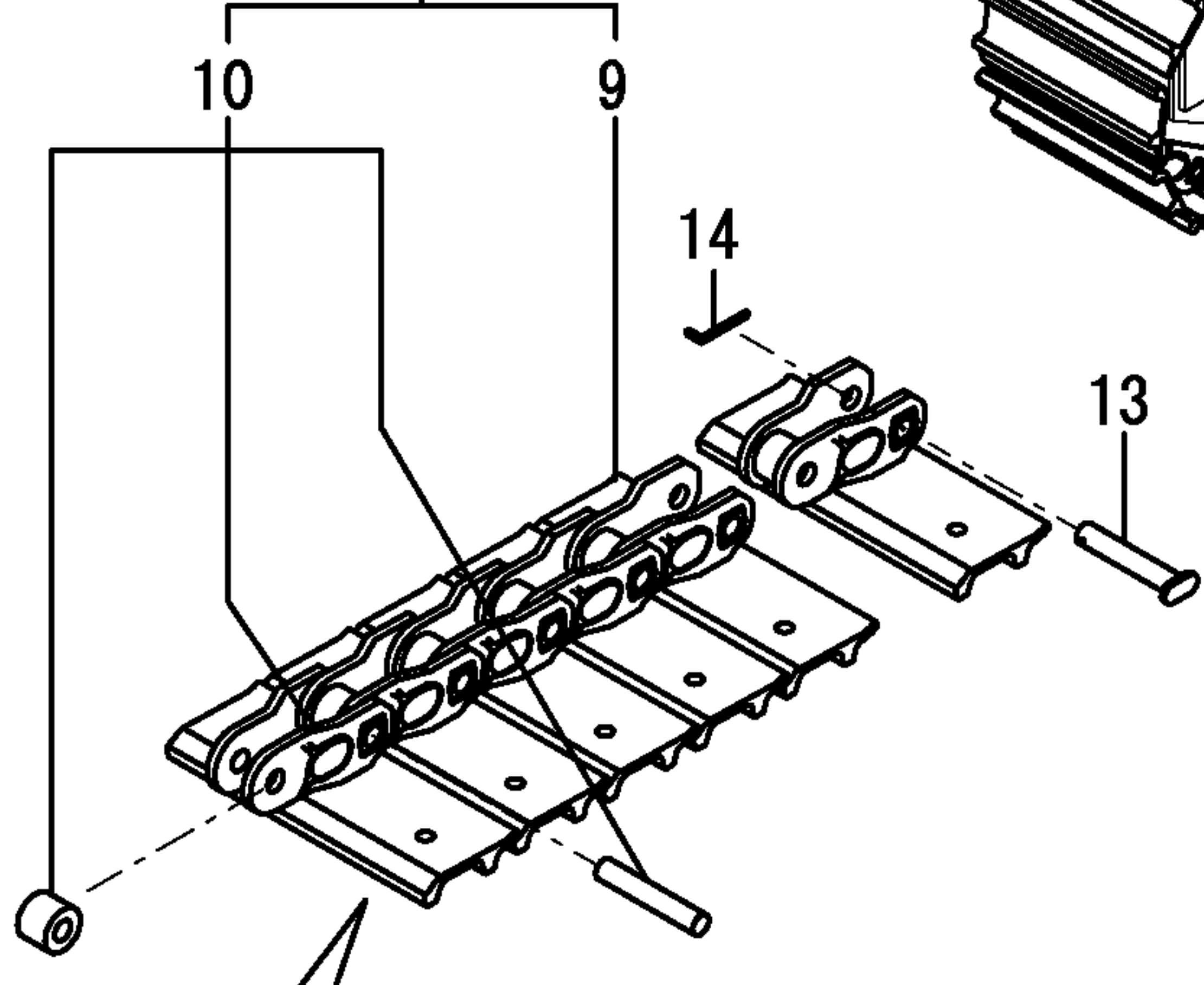
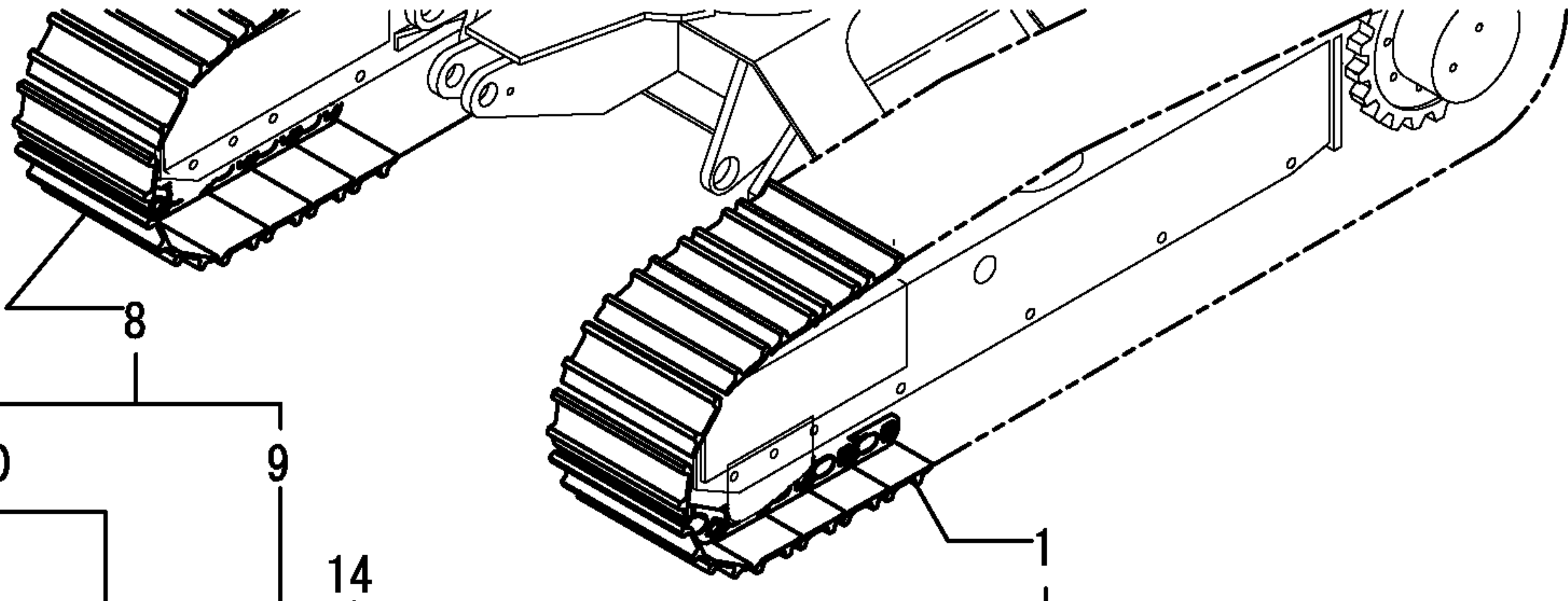


ゴムクローラ仕様  
RUBBER CRAWLER SPEC.

1,1,,172422-38100,, "SHOE L ASSY, TRUCK",1,,,,,,,,1,,,,,,,,,  
2,2,,172422-38110,, "PLATE L, SHOE",43,,,,,,,,,  
3,2,,172422-38140,, "LINK, TRUCK",1,,,,,,,,,  
6,1,,172141-38220,, "PIN, MASTER",1,,,,,,,,,  
7,1,,172614-38300,, "PIN 5X45, LOCK",1,,,,,,,,,  
8,1,,172422-38120,, "SHOE R ASSY, TRUCK",1,,,,,2,,,,,,,,,  
9,2,,172422-38130,, "PLATE R, SHOE",43,,,,,,,,,  
10,2,,172422-38140,, "LINK, TRUCK",1,,,,,,,,,  
13,1,,172141-38220,, "PIN, MASTER",1,,,,,,,,,  
14,1,,172614-38300,, "PIN 5X45, LOCK",1,,,,,,,,,  
15,1,,172422-38260,, "MASTER TRUCK 300L",1,,,,,,,,,I  
16,2,,172141-38200,, BUSH,1,,,,,,,,,I  
17,1,,172422-38270,, "MASTER TRUCK 300R",1,,,,,,,,,I  
18,2,,172141-38200,, BUSH,1,,,,,,,,,I  
19,1,,172422-38600,, "CRAWLER, RUBBER",2,2,,,,,,,,,  
19-1,1,,172422-38601,, "CRAWLER, RUBBER",2,,,,,N,,,,,72422140,M/#36291,,,,,,,,,I  
19-2,1,,172422-38603,, "CRAWLER, RUBBER",2,2,,,,,N,,,,,72458516,M/#36694,,,,,,,,,I  
20,1,,172458-38100,, "SHOE L,TRACK(GREEN88)",,1,1,,,,,,,,,I  
21,2,,172458-38110,, "PLATE,SHEW 300L (88)",,43,43,,,,,,,,,I  
22,2,,172458-38140,, "LINK,TRACK(GREEN:88)",,1,1,,,,,,,,,I  
29,3,,172458-38220,, "PIN,MASTER",,1,1,,,,,,,,,I  
30,3,,172458-38230,, "STOP PIN",,1,1,,,,,,,,,I  
31,1,,172458-38120,, "SHOE R,TRACK(GREEN88)",,1,1,,,,,,,,,I  
32,2,,172458-38130,, "PLATE,SHEW 300R (88)",,43,43,,,,,,,,,I  
33,2,,172458-38140,, "LINK,TRACK(GREEN:88)",,1,1,,,,,,,,,I  
40,3,,172458-38220,, "PIN,MASTER",,1,1,,,,,,,,,I  
41,3,,172458-38230,, "STOP PIN",,1,1,,,,,,,,,I  
42,1,,172458-38300,, "TRUCK,MASTER 300L(88)",,1,1,,,,,,,,,I  
43,2,,172458-38200,, "BUSH,TRUCK",,1,1,,,,,,,,,I  
44,1,,172458-38310,, "TRUCK,MASTER 300R(88)",,1,1,,,,,,,,,I  
45,2,,172458-38200,, "BUSH,TRUCK",,1,1,,,,,,,,,I

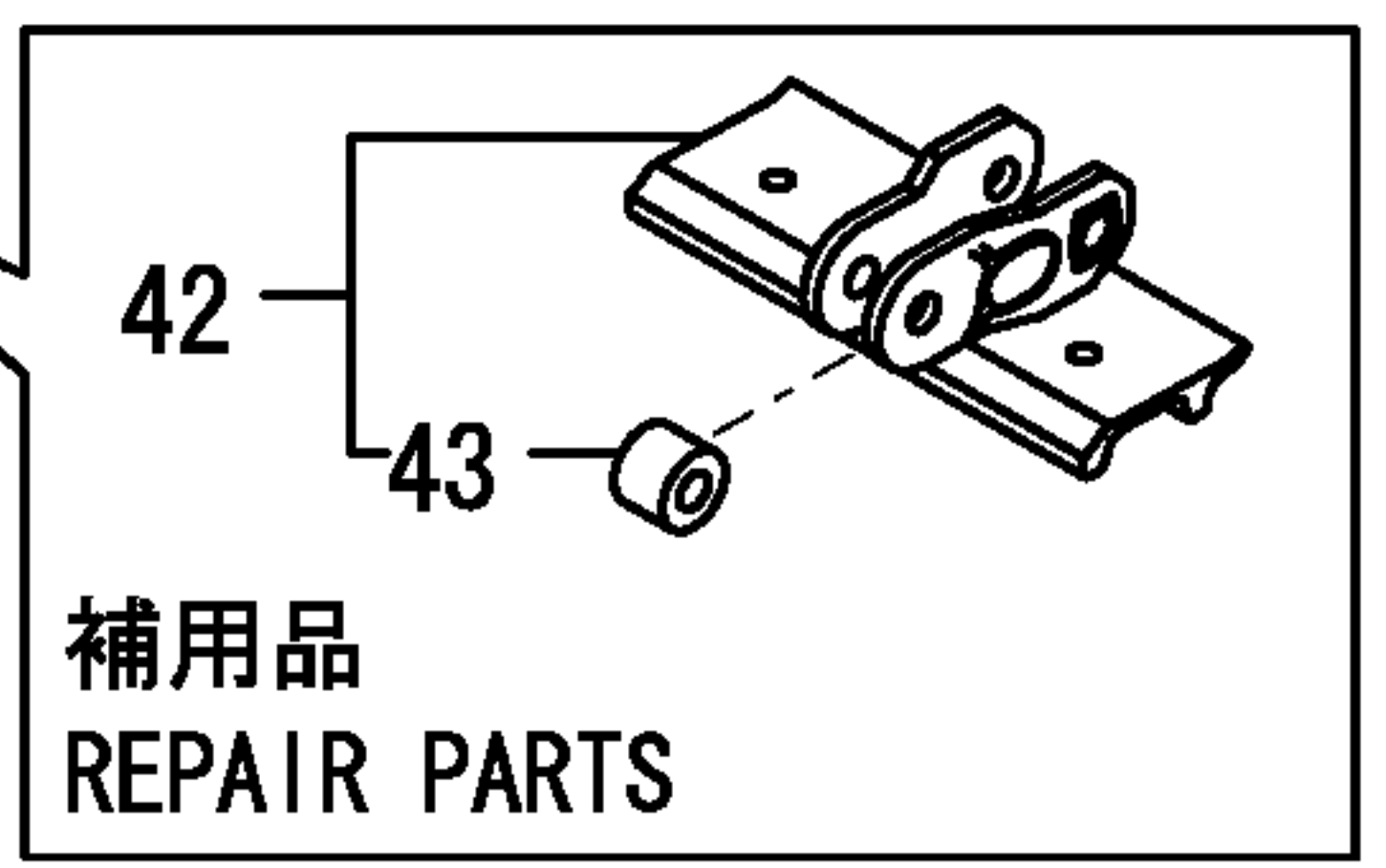
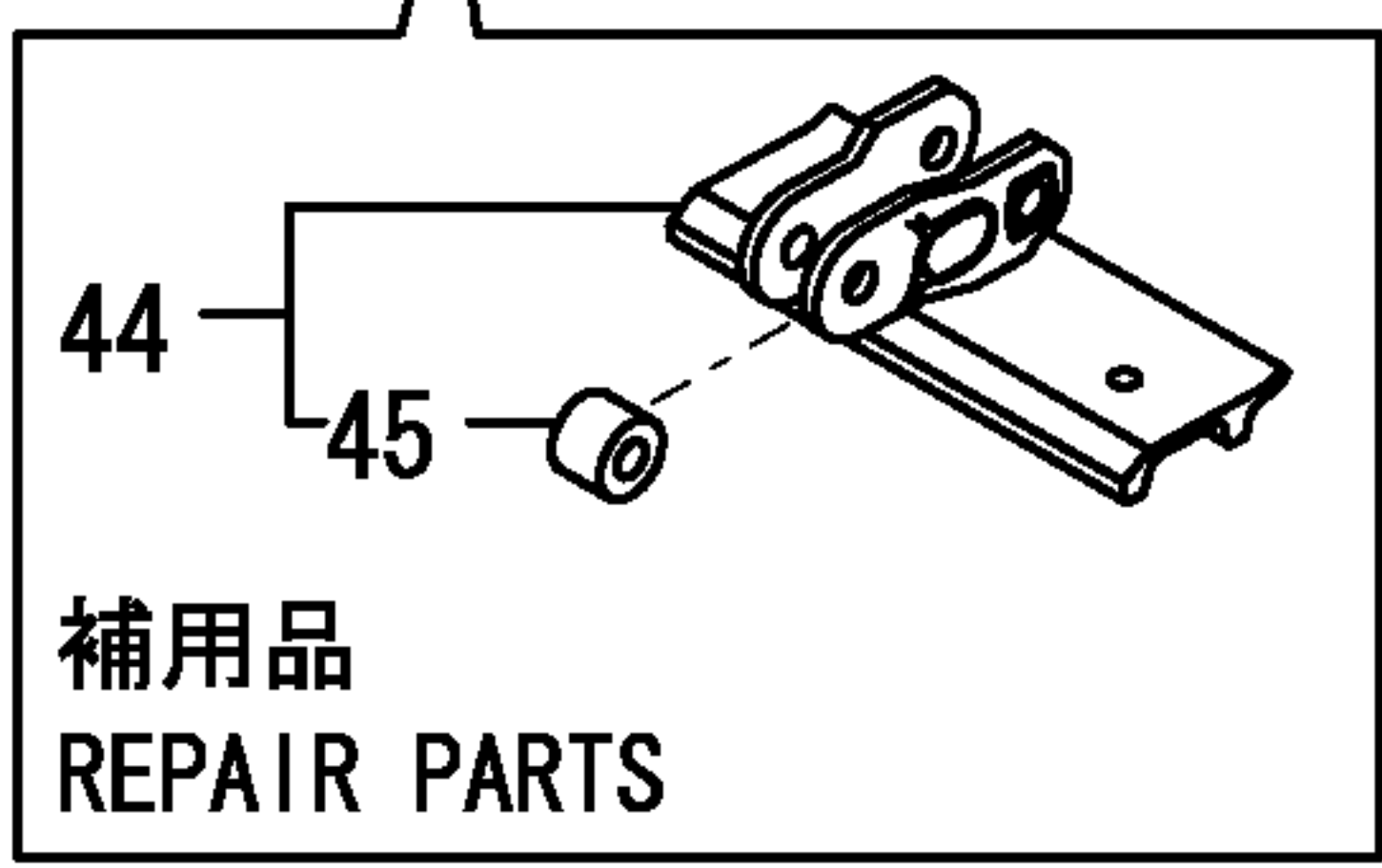
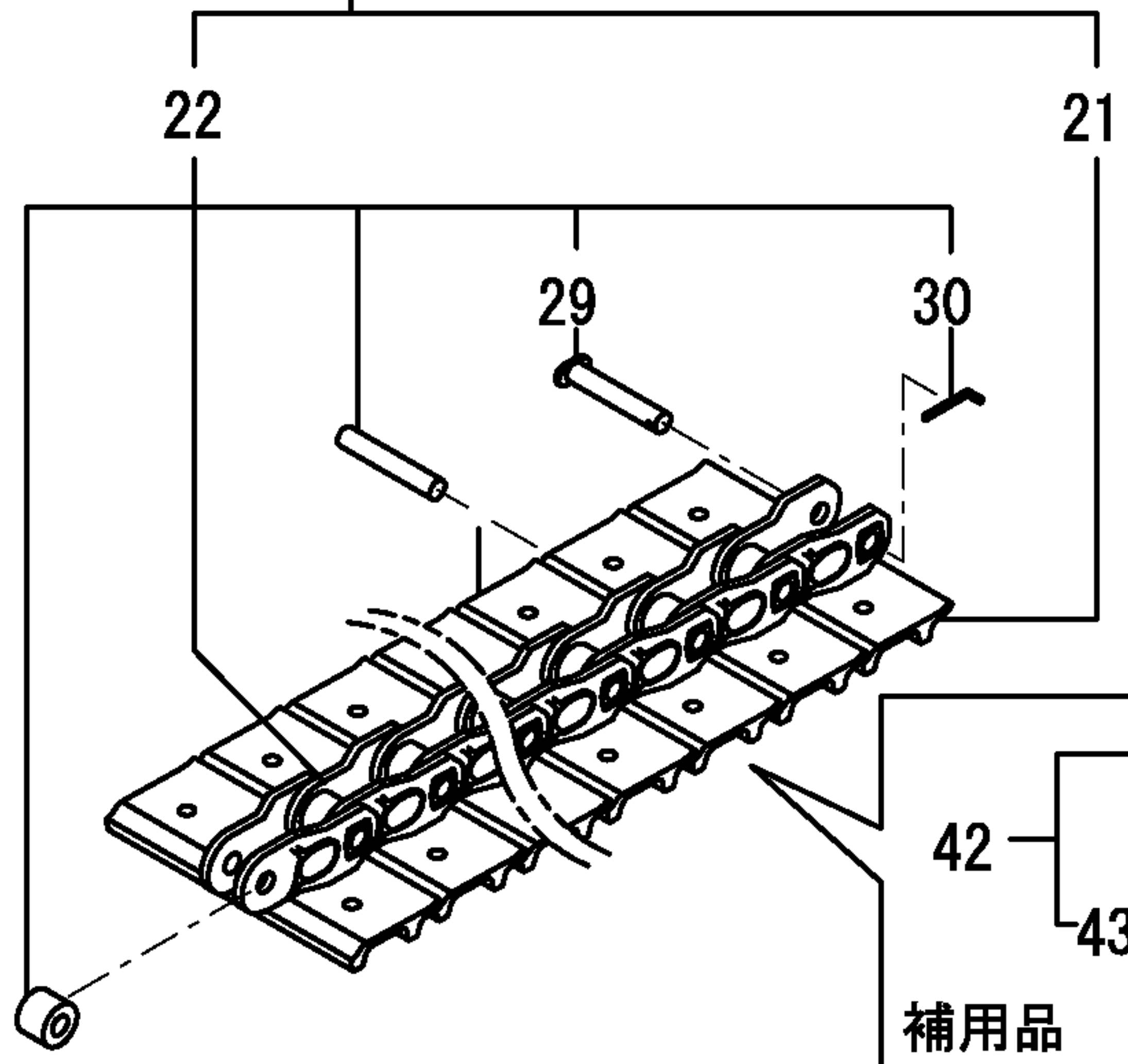
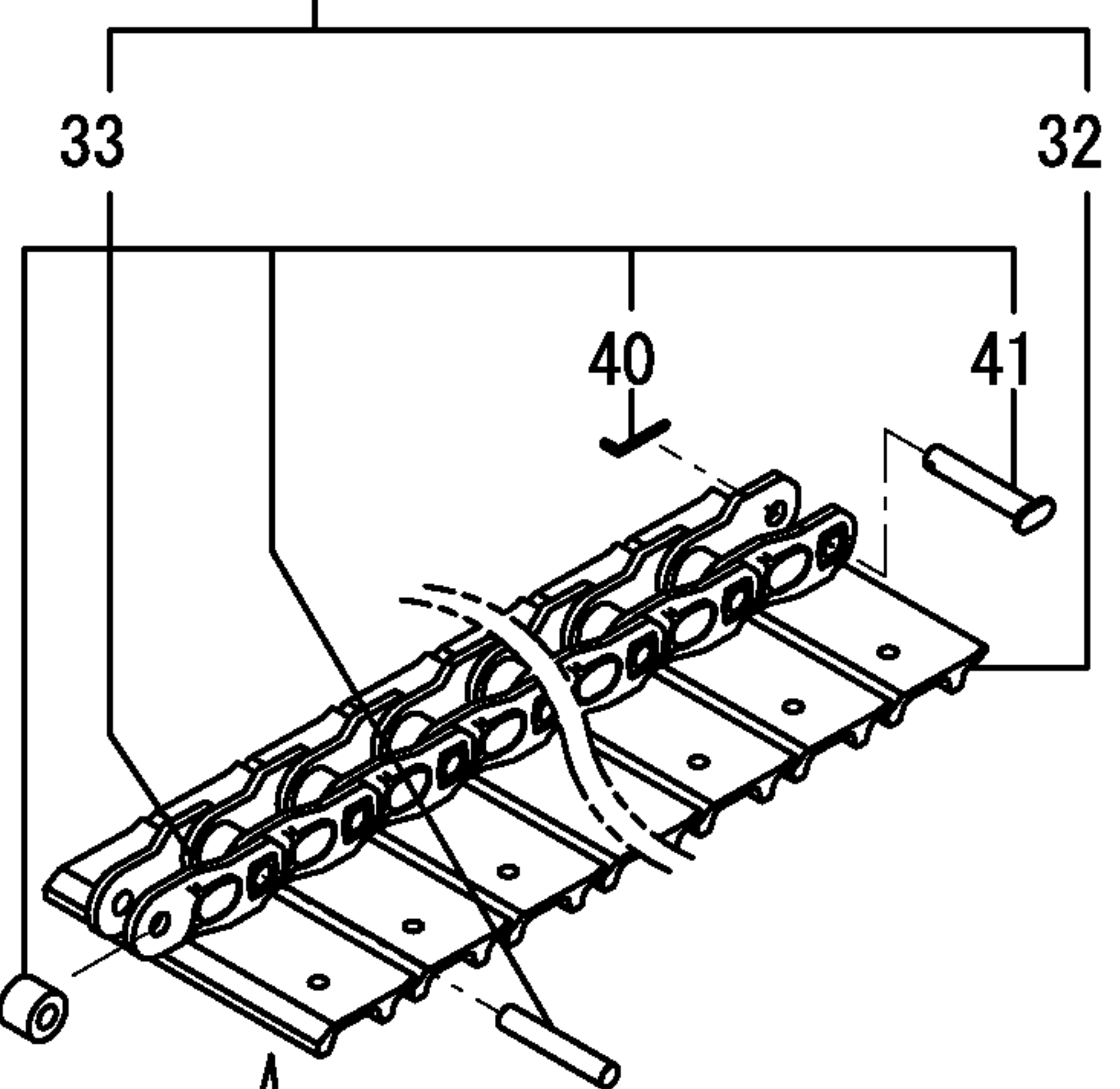
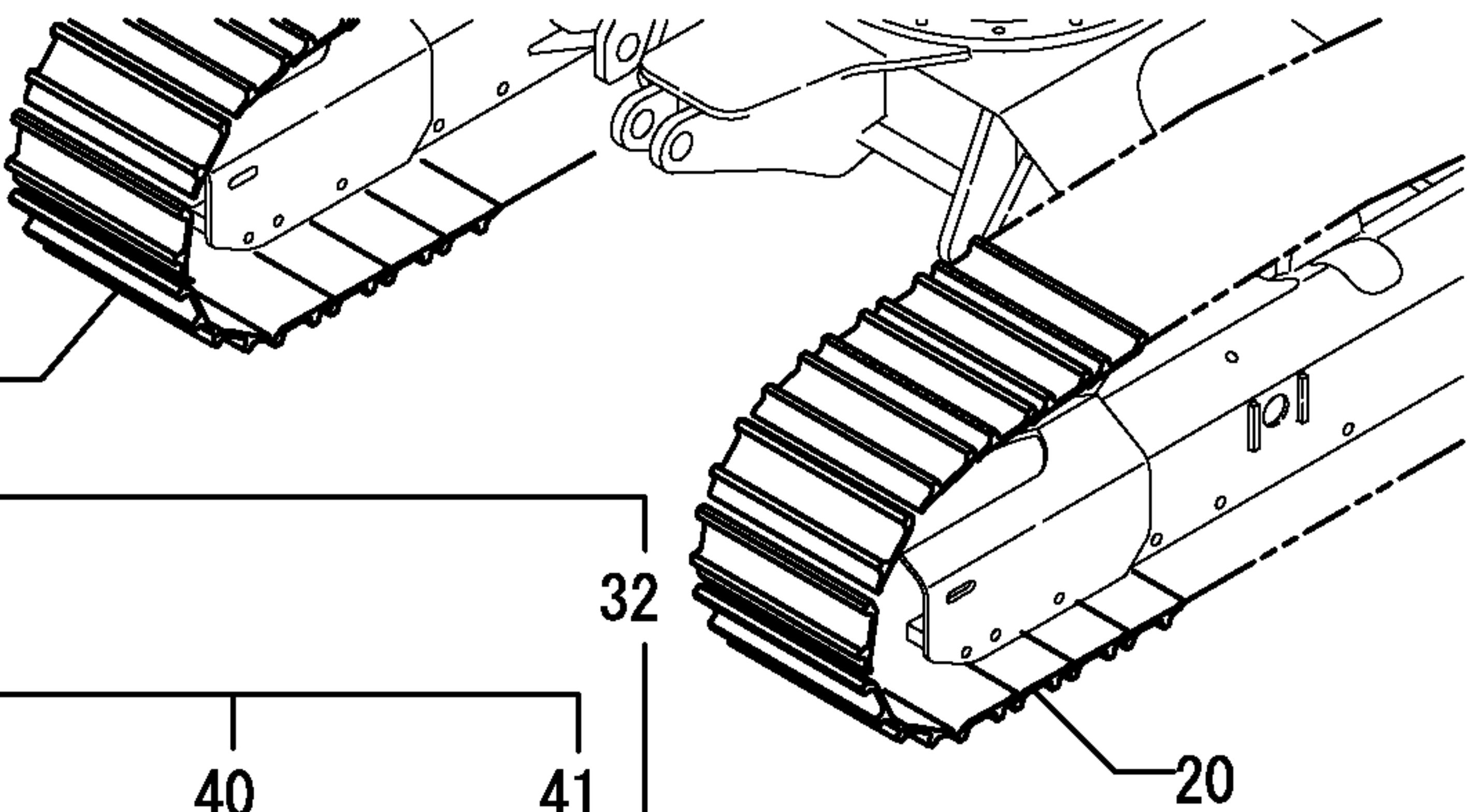


旧形  
PREVIOUS  
~M/# 35101



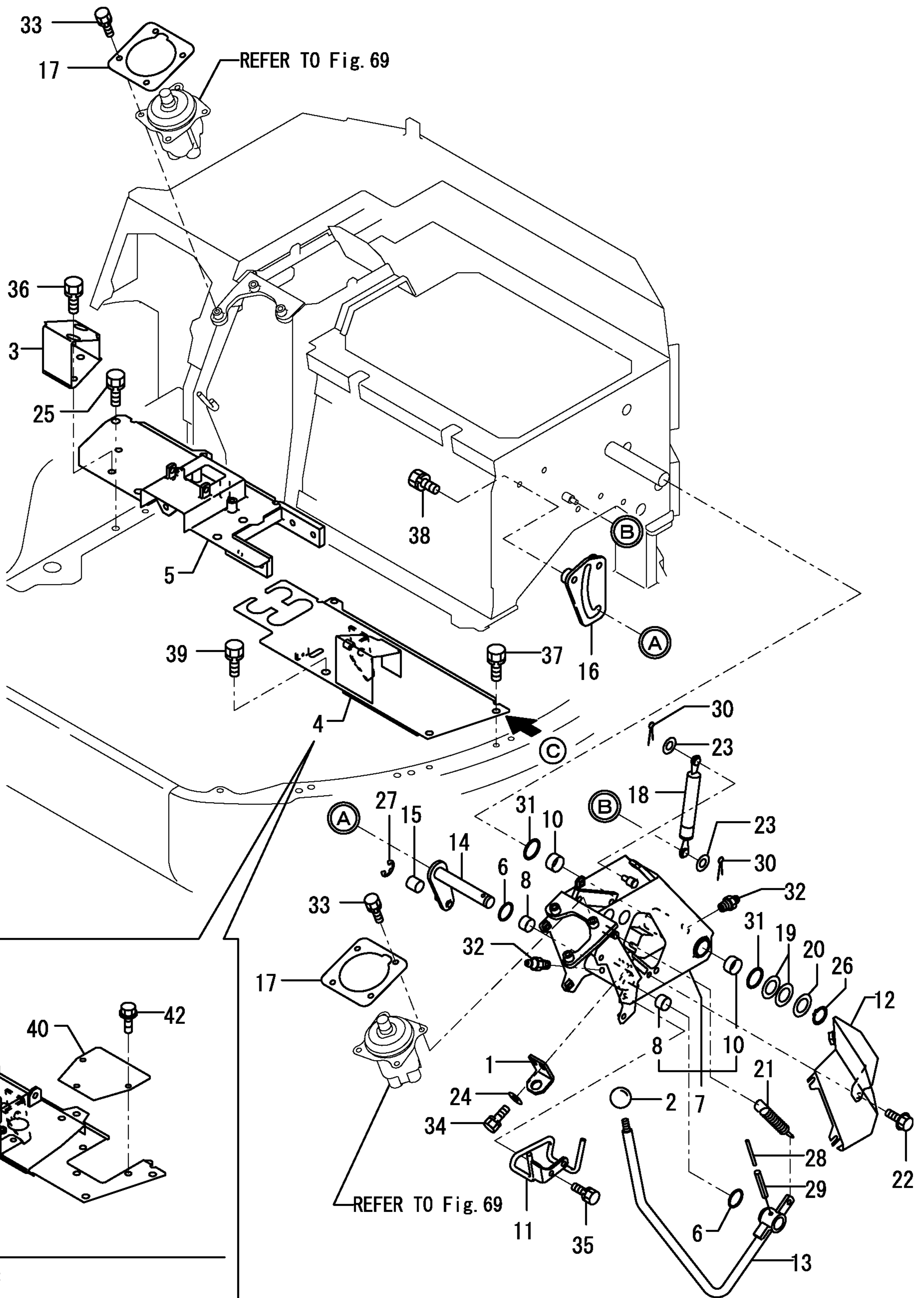
ゴムクローラ仕様  
RUBBER CRAWLER SPEC.

新形  
NEW  
M/# 36001~

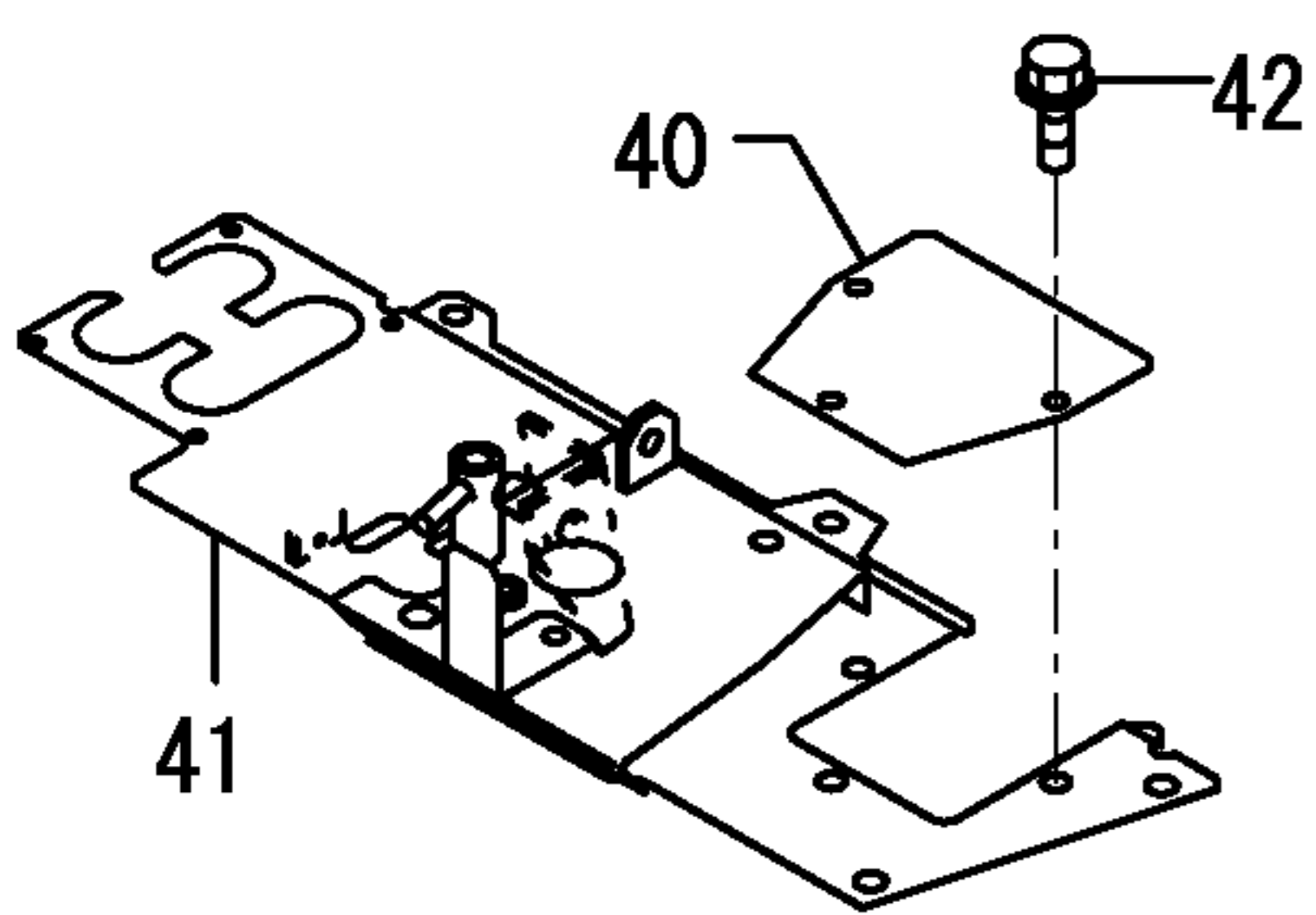


補用品  
REPAIR PARTS

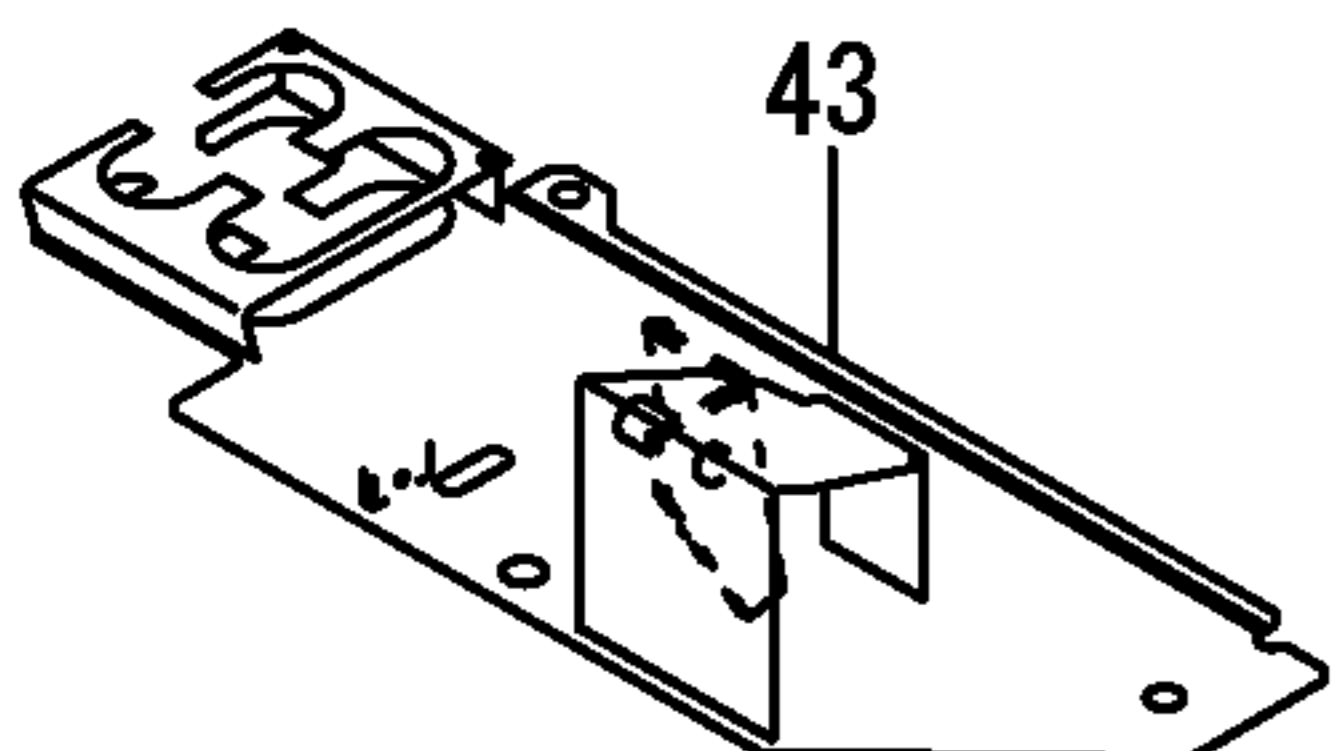
1,1,,172187-17180,,BRACKET,1,1,1,,,,,,,,,,,,,  
2,1,,1D4070-23580,, "GRIP,RED ROUND",1,1,1,,,,,,,,,,,,,  
3,1,,172444-45250,, "FOOT REST(R)",1,1,1,,,,,,,,,,,,,  
4,1,,172444-45391,, "LINK STAND L",1,1,1,,,,,,,,,,,,,  
5,1,,172444-45450,, "LINK STAND R",1,1,1,,,,,,,,,,,,,  
6,1,,172124-46200,, "O-RING 27X5.7",2,2,2,,,,,,,,,,,,,  
7,1,,172444-46600,, "LEVER STAND L",1,1,1,,,,,,,,,,,,,  
8,2,,172141-41370,, "BUSH 2015",2,2,2,,,,,,,,,,,,,  
10,2,,24550-025150,, "BUSH 25X15",2,2,2,,,,,,,,,,,,,  
11,1,,172444-46690,, "HOSE GUIDE L(GRAY:73)",1,1,1,,,,,,,,,,,,,  
12,1,,172444-46710,, COVER,1,1,1,,,,,,,,,,,,,  
13,1,,172165-47450-1,, "LEVER(L),LOCK",1,1,1,,,,,,,,,,,,,  
14,1,,172165-47500,, "ARM ASSY, LOCK",1,1,1,,,,,,,,,,,,,  
15,1,,172165-47550,, BUSH,1,1,1,,,,,,,,,,,,,  
16,1,,172165-47621-1,, "GUIDE(L)ASSY,LOCK(73)",1,1,1,,,,,,,,,,,,,  
17,1,,172165-47711,, PLATE,2,2,2,,,,,,,,,,,,,  
18,1,,172165-47801,, "SPRING, GAS",1,1,1,,,,,,,,,,,,,  
19,1,,172165-47980,, "SHIM 42X25.5X0.5",2,2,2,,,,,,,,,,,,,  
20,1,,172165-47990,, "WASHER 25.5X42",1,1,1,,,,,,,,,,,,,  
21,1,,1A1380-56661,, "SPRING,ROTARY RETURN",1,1,1,,,,,,,,,,,,,  
22,1,,172519-63240,, "BOLT 8X 16",1,1,1,,,,,,,,,,,,,  
23,1,,22137-080000,, "WASHER 8, POLISHED",2,2,2,,,,,,,,,,,,,  
24,1,,22137-080000,, "WASHER 8, POLISHED",2,2,2,,,,,,,,,,,,,  
25,1,,26013-120202,, "BOLT W/WASHER M12X20",4,4,4,,,,,,,,,,,,,  
26,1,,22242-000250,, "CIRCLIP 25S",1,1,1,,,,,,,,,,,,,  
27,1,,22272-000070,, "CIRCLIP E- 7",1,1,1,,,,,,,,,,,,,  
28,1,,22351-035040,, "SPRING PIN 3.5X40",1,1,1,,,,,,,,,,,,,  
29,1,,22351-060040,, "SPRING PIN 6X40",1,1,1,,,,,,,,,,,,,  
30,1,,22417-200200,, "COTTER PIN 2.0X20",2,2,2,,,,,,,,,,,,,  
31,1,,24311-000340,, "O-RING 1A P-34.0",2,2,2,,,,,,,,,,,,,  
32,1,,24761-020000,, "NIPPLE PT1/8,GREASE",2,2,2,,,,,,,,,,,,,  
33,1,,26013-080162,, "BOLT W/WASHER M8X16",8,8,8,,,,,,,,,,,,,  
34,1,,26013-080202,, "BOLT W/WASHER M8X20",2,2,2,,,,,,,,,,,,,  
35,1,,26013-080202,, "BOLT W/WASHER M8X20",2,2,2,,,,,,,,,,,,,  
36,1,,26013-100162,, "BOLT M10X 16",2,2,2,,,,,,,,,,,,,  
37,1,,26013-100202,, "BOLT W/WASHER M10X20",2,2,2,,,,,,,,,,,,,  
38,1,,26013-100202,, "BOLT W/WASHER M10X20",2,2,2,,,,,,,,,,,,,  
39,1,,26013-120202,, "BOLT W/WASHER M12X20",1,1,1,,,,,,,,,,,,,  
40,1,,172444-45480,, "PLATE (BLACK:12)",1,1,1,,,,,,,,,,,,,  
41,1,,172444-46220,, "LINK STAND L(P.T.O.)",1,1,1,1,,,,,,,,,,,,,  
42,1,,172519-63240,, "BOLT 8X 16",3,3,1,,,,,,,,,,,,,  
43,1,,172445-45311,, "LINK STAND L(C (12))",1,1,1,,,,,,,,,,,,,I



PTO仕様  
P. T. O. SPEC.



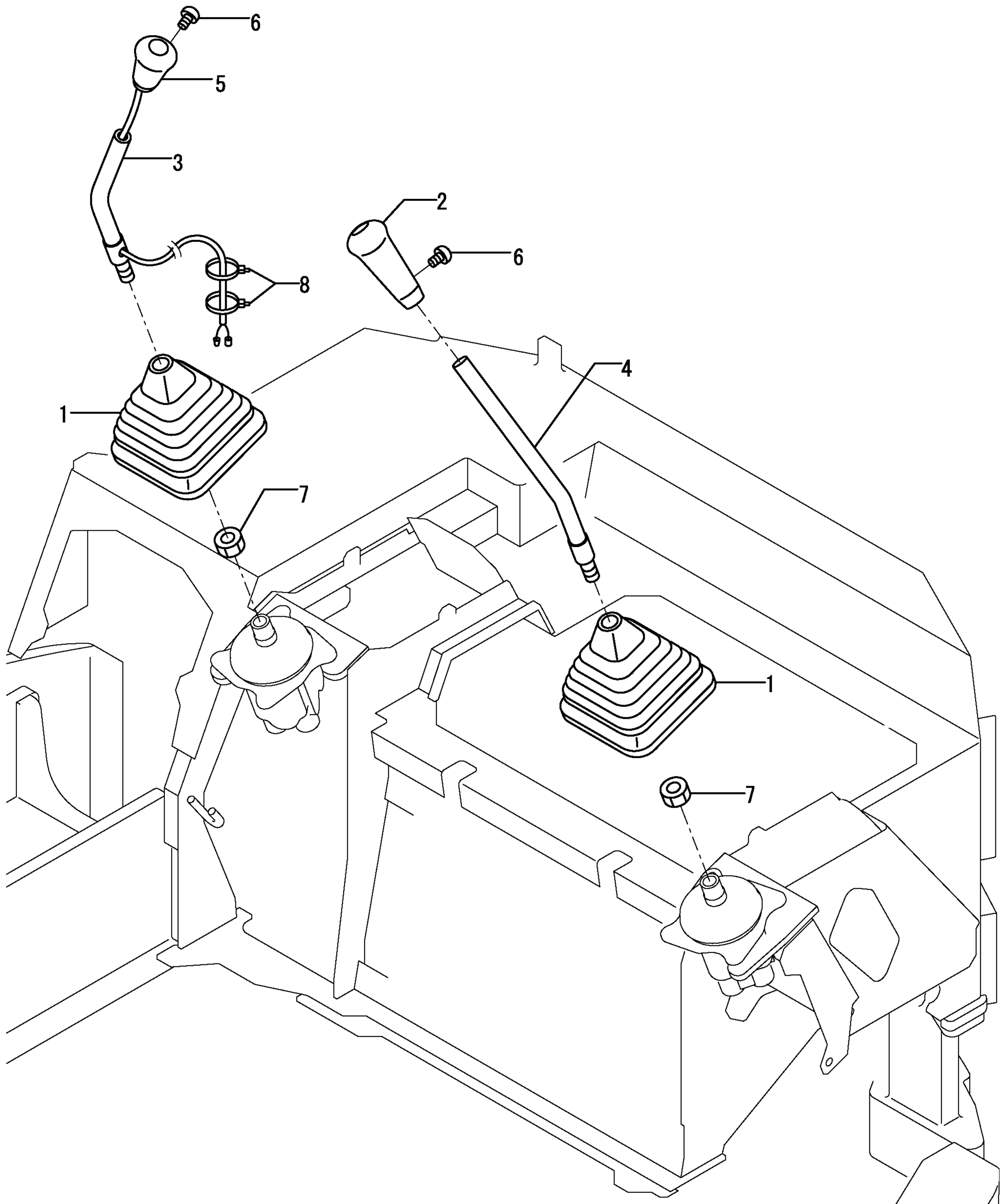
キャビン仕様  
CABIN SPEC.



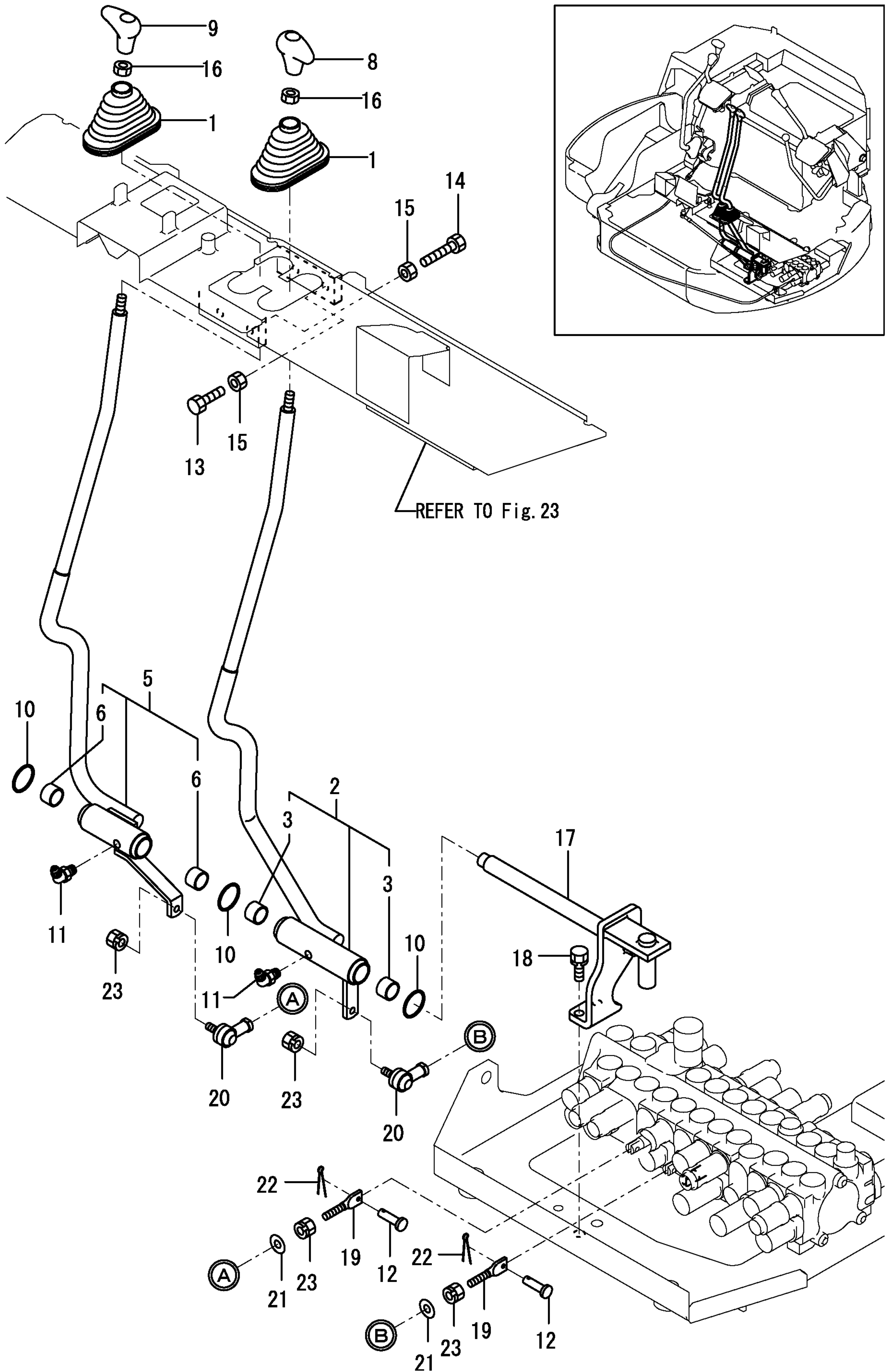
REFER TO Fig. 69



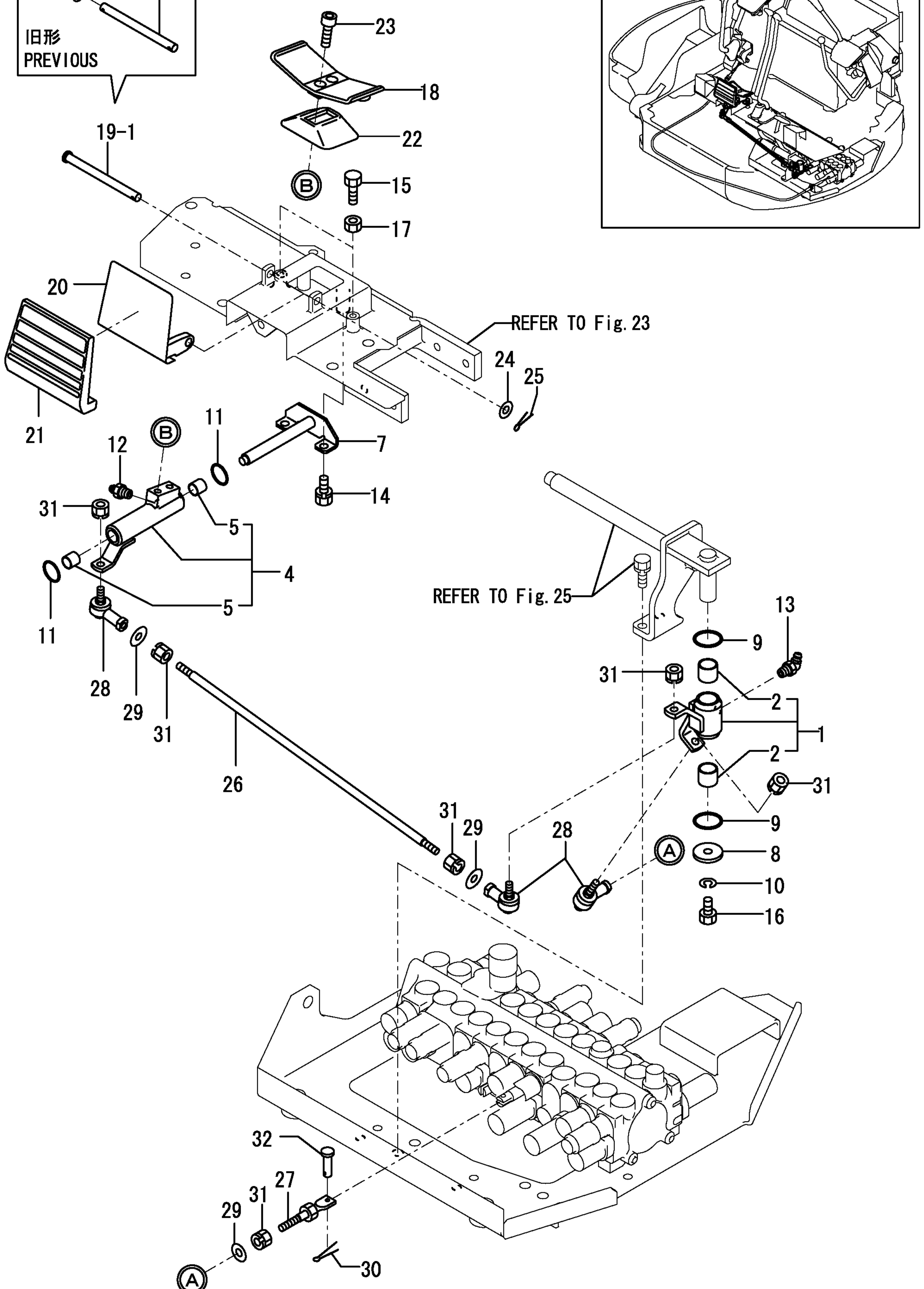
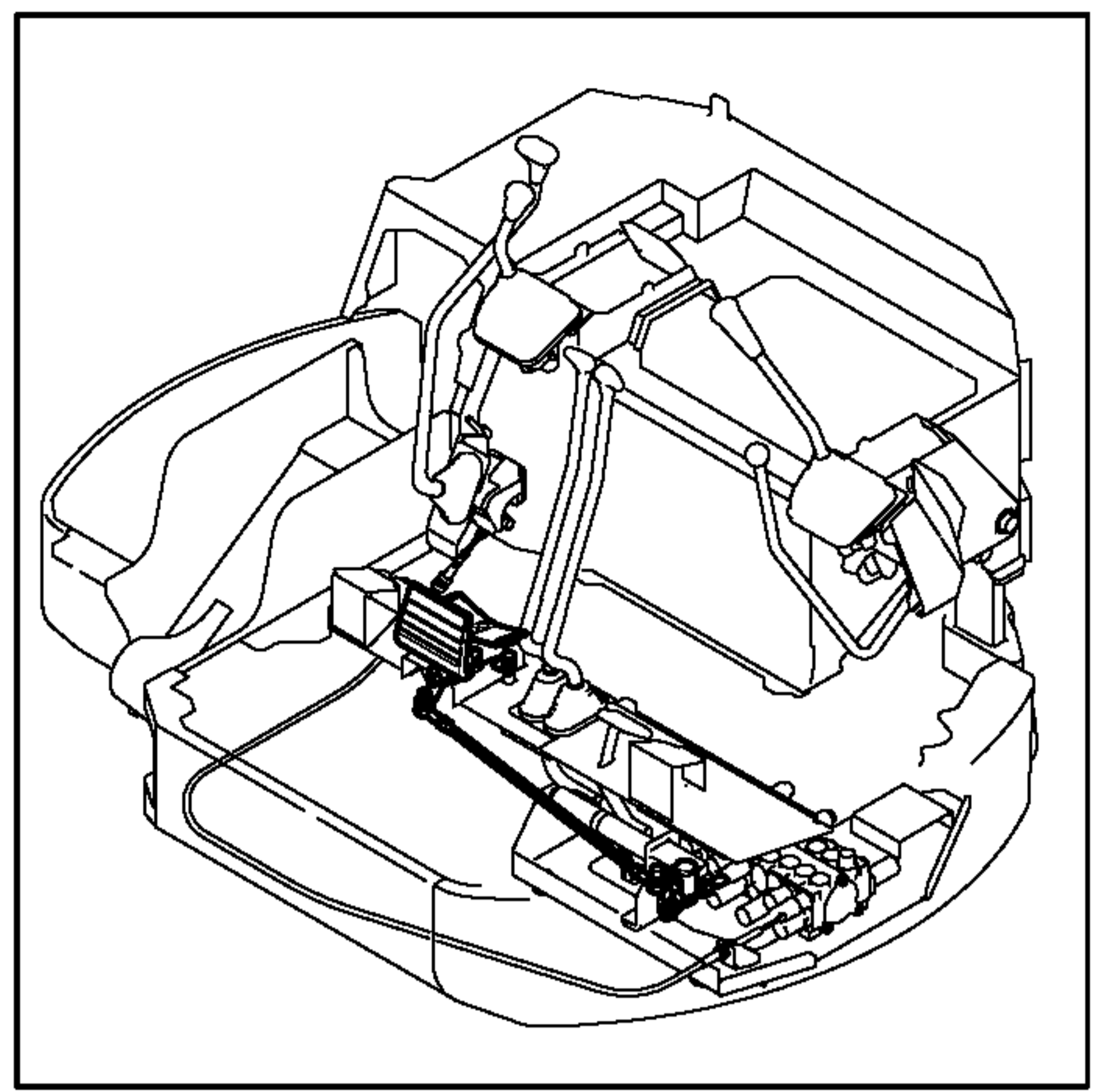
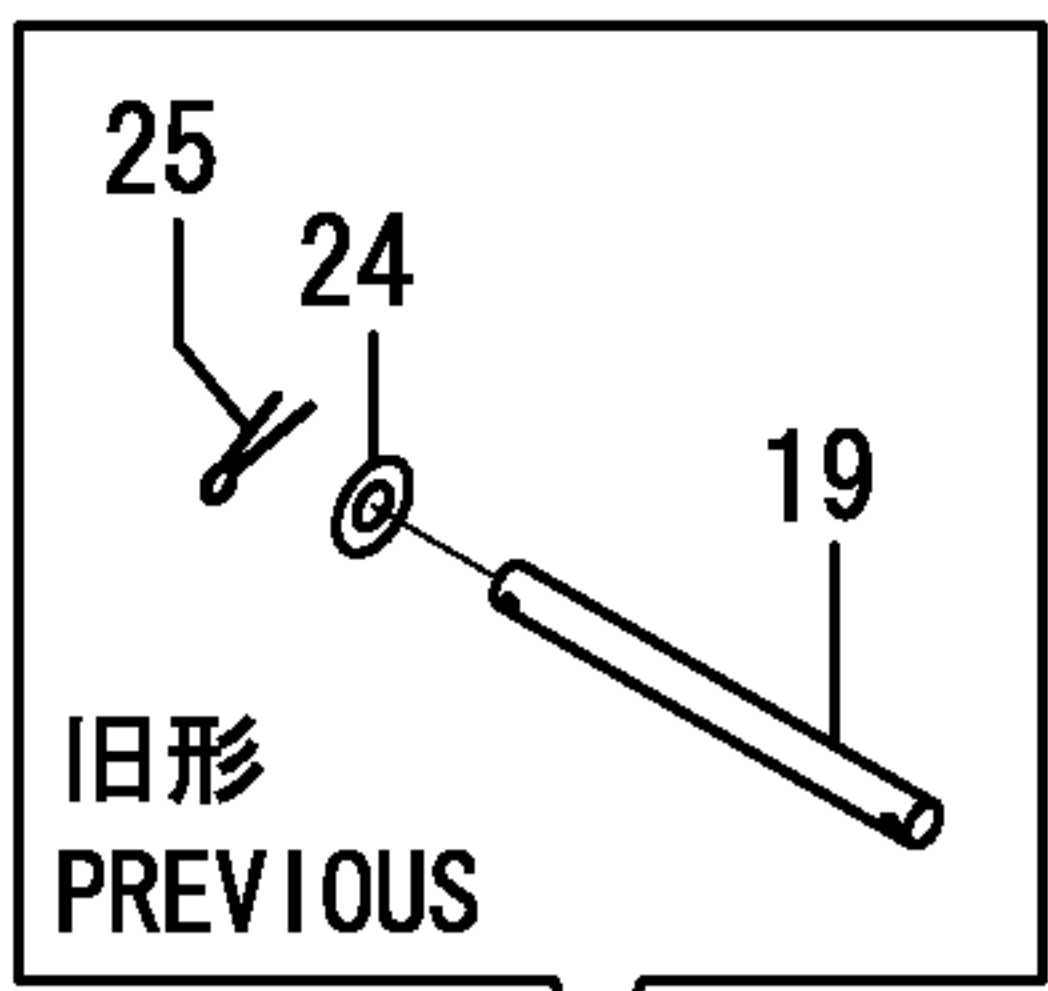
1,1,,172151-45010,, "BOOT P,LEVER",2,2,2,,,,,,,,,,,,,  
2,1,,172165-45071,, "KNOB (L) ASSY",1,1,1,,,,,,,,,,,,,  
3,1,,172165-47821-1,, "LEVER R ASSY",1,1,1,,,,,,,,,,,,,  
4,1,,172165-47851-1,, "LEVER L ASSY",1,1,1,,,,,,,,,,,,,  
5,1,,172165-47871,, "KNOB (A) ASSY",1,1,1,,,,,,,,,,,,,  
6,1,,26587-040062,, "SCREW M 4X 6",2,2,2,,,,,,,,,,,,,  
7,1,,26736-140002,, "NUT M14",2,2,2,,,,,,,,,,,,,  
8,1,,933168-55770,, "BAND 146",2,2,2,,,,,,,,,,,,,



1,1,,172141-41340,,BOOTS,2,2,2,,,,,,,,,,,,,  
2,1,,172444-45100,, "LEVER L (GRAY:73)",1,1,1,,,,,,,,,,,,,  
3,2,,172141-41370,, "BUSH 2015",2,2,2,,,,,,,,,,,,,  
5,1,,172444-45150,, "LEVER R (GRAY:73)",1,1,1,,,,,,,,,,,,,  
6,2,,172141-41370,, "BUSH 2015",2,2,2,,,,,,,,,,,,,  
8,1,,172164-45951,, "GRIP L, DRIV.",1,1,1,,,,,,,,,,,,,  
9,1,,172164-45961,, "GRIP R, DRIV.",1,1,1,,,,,,,,,,,,,  
10,1,,172124-46200,, "O-RING 27X5.7",3,3,3,,,,,,,,,,,,,  
11,1,,24761-040000,, "NIPPLE B,GREASE",2,2,2,,,,,,,,,,,,,  
12,1,,933110-54100,, "PIN 4.75X14",2,2,2,,,,,,,,,,,,,  
13,1,,26116-100404,, "BOLT M10X 40 PLATED",2,2,2,,,,,,,,,,,,,  
14,1,,26116-100504,, "BOLT M10X 50 PLATED",2,2,2,,,,,,,,,,,,,  
15,1,,26716-100002,, "NUT 10",4,4,4,,,,,,,,,,,,,  
16,1,,26756-100002,, "LOCK NUT M10 PLATED",2,2,2,,,,,,,,,,,,,  
17,1,,172444-45200,, SHAFT,1,1,1,,,,,,,,,,,,,  
18,1,,26013-100252,, "BOLT W/WASHER M10X25",2,2,2,,,,,,,,,,,,,  
19,1,,172823-45000,, "ROD 54, SPOOL",2,2,2,,,,,,,,,,,,,  
20,1,,172122-46590,, "ELBALL 8",2,2,2,,,,,,,,,,,,,  
21,1,,22137-080000,, "WASHER 8, POLISHED",2,2,2,,,,,,,,,,,,,  
22,1,,22417-160160,, "COTTER PIN 1.6X16",2,2,2,,,,,,,,,,,,,  
23,1,,26051-080002,, "NUT M 8",4,4,4,,,,,,,,,,,,,

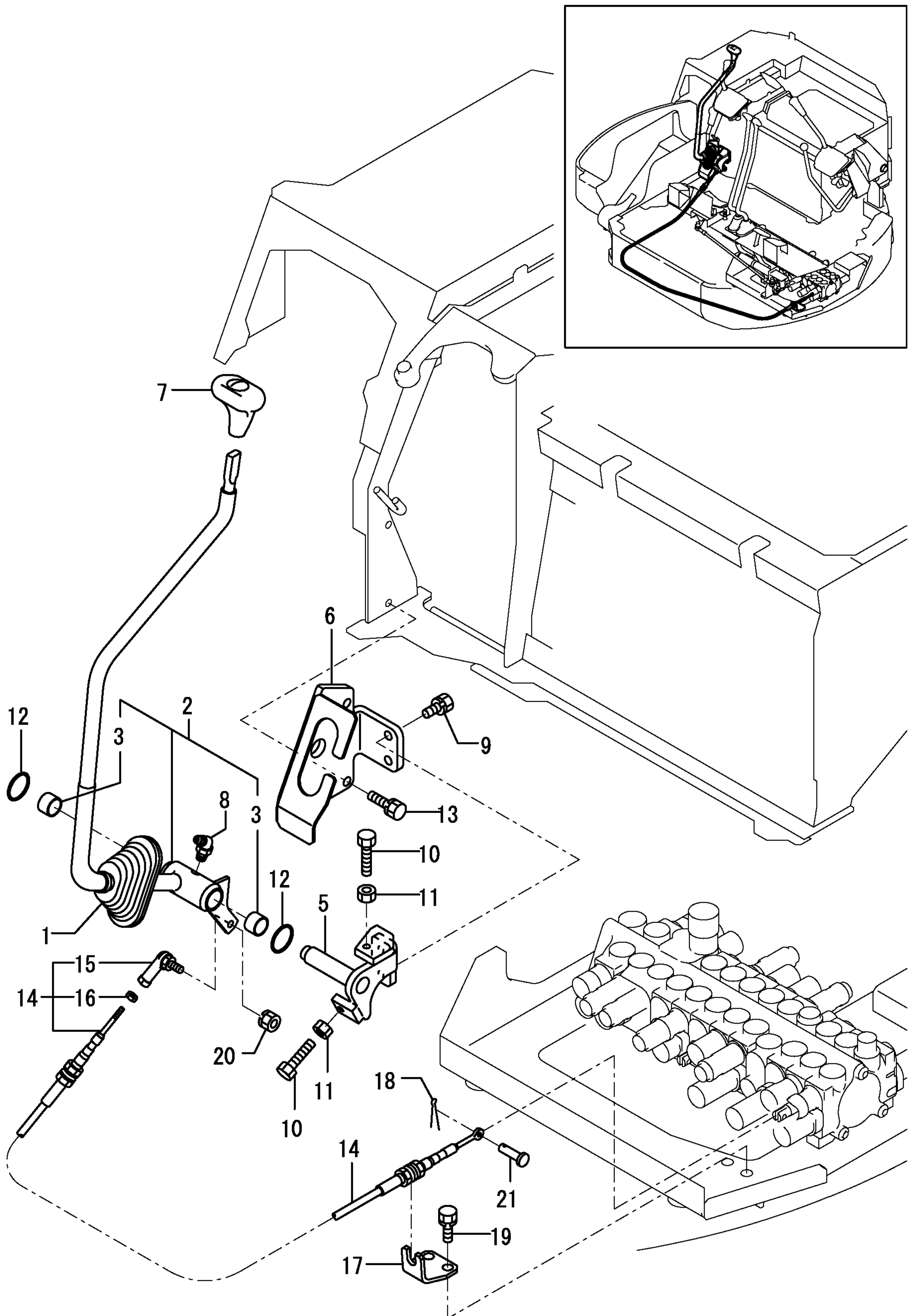


1,1,,172444-45300,, "LINK (GRAY:72)",1,1,1,,,,,,,,,,,,,  
2,2,,172141-41370,, "BUSH 2015",2,2,2,,,,,,,,,,,,,  
4,1,,172444-45550,, LINK,1,1,1,,,,,,,,,,,,,  
5,2,,172141-41360,, "BUSH 1415",2,2,2,,,,,,,,,,,,,  
7,1,,172444-45850,, "SHAFT (GRAY:72)",1,1,1,,,,,,,,,,,,,  
8,1,,1A1040-45890,, "WASHER 10 36 4.5",1,1,1,,,,,,,,,,,,,  
9,1,,172124-46200,, "O-RING 27X5.7",2,2,2,,,,,,,,,,,,,  
10,1,,22217-100000,, "SPRING WASHER 10",1,1,1,,,,,,,,,,,,,  
11,1,,24311-000210,, "O-RING 1A P-21.0",2,2,2,,,,,,,,,,,,,  
12,1,,24761-020000,, "NIPPLE PT1/8,GREASE",1,1,1,,,,,,,,,,,,,  
13,1,,24761-040000,, "NIPPLE B,GREASE",1,1,1,,,,,,,,,,,,,  
14,1,,26013-080162,, "BOLT W/WASHER M8X16",2,2,2,,,,,,,,,,,,,  
15,1,,26116-080254,, "BOLT M 8X 25 PLATED",2,2,2,,,,,,,,,,,,,  
16,1,,26116-100202,, "BOLT M10X 20 PLATED",1,1,1,,,,,,,,,,,,,  
17,1,,26716-080002,, "NUT M 8",2,2,2,,,,,,,,,,,,,  
18,1,,172187-45500-1,, "PEDAL ASSY,SWING",1,1,1,,,,,,,,,,,,,  
19,1,,172187-45650,, "SHAFT, PEDAL COVER",1,1,1,,,,,,,,,,,,,  
19-1,1,,172187-45651,, "SHAFT, PEDAL  
COVER",,1,1,,,R,,,,,72458521,M/#36739,,,,,,,,,I  
20,1,,172187-45720-1,, "COVER,PEDAL",1,1,1,,,,,,,,,,,,,  
21,1,,172187-45760,, "COVER PAD",1,1,1,,,,,,,,,,,,,  
22,1,,172157-45990,, "BOOTS, PEDAL",1,1,1,,,,,,,,,,,,,  
23,1,,172165-46340,, BOLT,2,2,2,,,,,,,,,,,,,  
24,1,,22137-100000,, "WASHER 10,POLISHED",2,2,2,,,,,,,,,,,,,  
24-1,1,,22137-100000,, "WASHER  
10,POLISHED",,1,1,,,K,,,,,72458521,M/#36739,,,,,,,,,I  
25,1,,22417-250200,, "COTTER PIN 2.5X20",2,2,2,,,,,,,,,,,,,  
25-1,1,,22417-250200,, "COTTER PIN  
2.5X20",,1,1,,,K,,,,,72458521,M/#36739,,,,,,,,,I  
26,1,,172141-42840,, "ROD, SWING",1,1,1,,,,,,,,,,,,,  
27,1,,172187-46190,, "ROD A ASSY",1,1,1,,,,,,,,,,,,,  
28,1,,172122-46590,, "ELBALL 8",3,3,3,,,,,,,,,,,,,  
29,1,,22137-080000,, "WASHER 8, POLISHED",3,3,3,,,,,,,,,,,,,  
30,1,,22417-160160,, "COTTER PIN 1.6X16",1,1,1,,,,,,,,,,,,,  
31,1,,26051-080002,, "NUT M 8",6,6,6,,,,,,,,,,,,,  
32,1,,933110-54100,, "PIN 4.75X14",1,1,1,,,,,,,,,,,,,

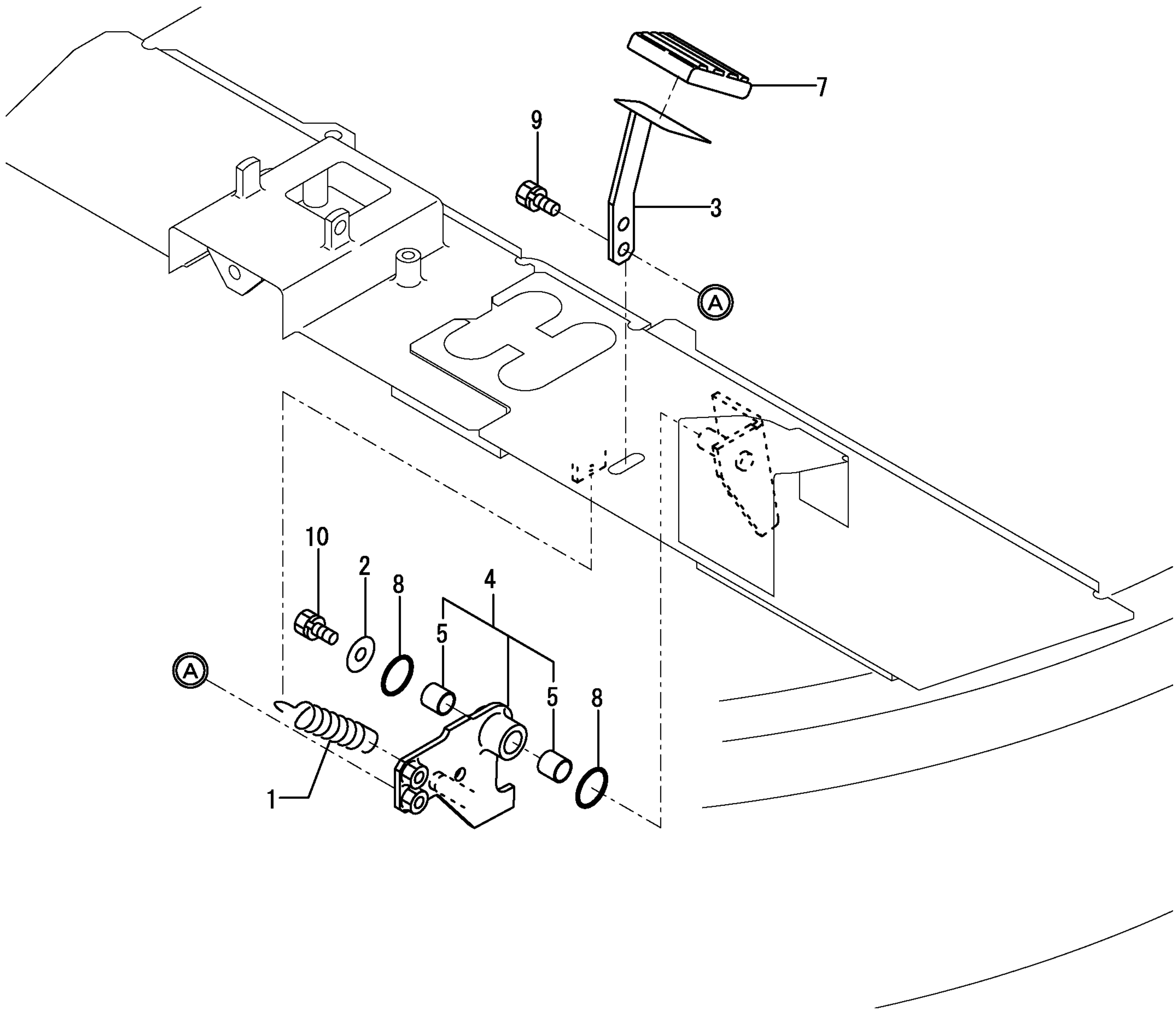


1,1,,172141-41340,,BOOTS,1,1,1,,,,,,,,,,,,,  
2,1,,172444-45710,,,"LEVER, BLADE",1,1,1,,,,,,,,,,,,,  
3,2,,172141-41370,,,"BUSH 2015",2,2,2,,,,,,,,,,,,,  
5,1,,172444-45760,,,"SHAFT",1,1,1,,,,,,,,,,,,,  
6,1,,172444-45800,,,"BRACKET",1,1,1,,,,,,,,,,,,,  
7,1,,172164-45970,,,"GRIP, BLADE",1,1,1,,,,,,,,,,,,,  
8,1,,24761-040000,,,"NIPPLE B, GREASE",1,1,1,,,,,,,,,,,,,  
9,1,,26013-100252,,,"BOLT W/WASHER M10X25",2,2,2,,,,,,,,,,,,,  
10,1,,26116-080354,,,"BOLT M 8X 35 PLATED",2,2,2,,,,,,,,,,,,,  
11,1,,26716-080002,,,"NUT M 8",2,2,2,,,,,,,,,,,,,  
12,1,,24311-000210,,,"O-RING 1A P-21.0",2,2,2,,,,,,,,,,,,,  
13,1,,26013-100302,,,"BOLT M10X 30",2,2,2,,,,,,,,,,,,,  
14,1,,172444-45830,,,"CABLE, BLADE",1,1,1,,,,,,,,,,,,,  
15,2,,172458-45810,,,"BALL JOINT",1,1,1,,,,,W,,72458523,M/#30501,,,,,,,,,,,,,I  
16,2,,26757-050002,,,"NUT",1,1,1,,,,,W,,72458523,M/#30501,,,,,,,,,,,,,I  
17,1,,172444-45840,,,"BRACKET, BLADE",1,1,1,,,,,,,,,,,,,  
18,1,,22417-160160,,,"COTTER PIN 1.6X16",1,1,1,,,,,,,,,,,,,  
19,1,,26013-100202,,,"BOLT W/WASHER M10X20",2,2,2,,,,,,,,,,,,,  
20,1,,26051-080002,,,"NUT M 8",1,1,1,,,,,,,,,,,,,  
21,1,,933110-54100,,,"PIN 4.75X14",1,1,1,,,,,,,,,,,,,





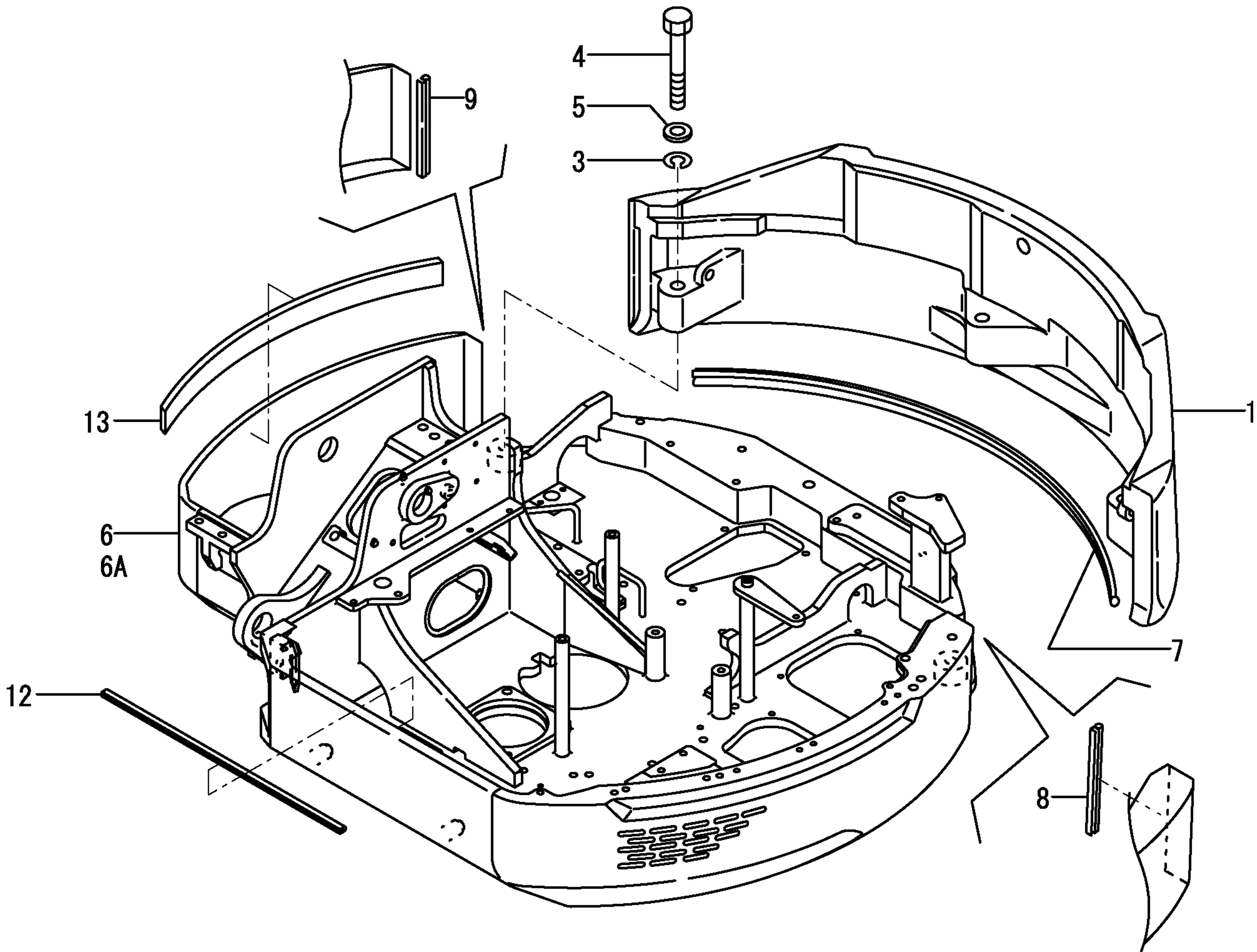
1,1,,172162-12480,, "SPRING,RETURN",1,1,1,,,,,,,,,,,,,  
2,1,,1A1040-43900,, "SPRING WASHER",1,1,1,,,,,,,,,,,,,  
3,1,,172187-45900-1,, "PEDAL ASSY",1,1,1,,,,,,,,,,,,,I  
4,1,,172444-45270,, "BRACKET ASSY, PEDAL",1,1,1,,,,,,,,,,,,,  
5,2,,172141-41360,, "BUSH 1415",2,2,2,,,,,,,,,,,,,  
7,1,,172187-45990,, "PEDAL PAD",1,1,1,,,,,,,,,,,,,  
7-1,1,,172458-45950,, "PAD,PEDAL",,1,1,,,,,N,,,,,72444385,M/#36348,,,,,,,,,I  
8,1,,24311-000210,, "O-RING 1A P-21.0",2,2,2,,,,,,,,,,,,,  
9,1,,26013-080162,, "BOLT W/WASHER M8X16",2,2,2,,,,,,,,,,,,,  
10,1,,26013-080202,, "BOLT W/WASHER M8X20",1,1,1,,,,,,,,,,,,,



1,1,,172187-03200,, "LABEL,P.T.O. LOCK",1,1,1,,,,,,,,,,,,,  
2,1,,172068-28490,, "SPRING 8",2,2,2,,,,,,,,,,,,,  
3,1,,172068-28490,, "SPRING 8",2,2,2,,,,,,,,,,,,,  
4,1,,172110-45150,, "PIN (Q)",1,1,1,,,,,,,,,,,,,  
5,1,,172165-45610,, "ROD 160",1,1,1,,,,,,,,,,,,,  
6,1,,172444-46100,, "LINK ASSY,P.T.O.",1,1,1,,,,,,,,,,,,,  
7,2,,172141-41370,, "BUSH 2015",2,2,2,,,,,,,,,,,,,  
9,1,,172444-46140,, "SHAFT CMP,P.T.O.",1,1,1,,,,,,,,,,,,,  
10,1,,172444-46170,, "BRACKET CMP",1,1,1,,,,,,,,,,,,,  
11,1,,172124-46200,, "O-RING 27X5.7",2,2,2,,,,,,,,,,,,,  
12,1,,172187-46220,, "PEDAL A ASSY(GRAY:73)",1,1,1,,,,,,,,,,,,,  
13,2,,172141-41360,, "BUSH 1415",2,2,2,,,,,,,,,,,,,  
15,1,,172187-46290,, "PEDAL B CMP(GRAY:73)",1,1,1,,,,,,,,,,,,,  
16,1,,172444-46300,, "PLATE",1,1,1,,,,,,,,,,,,,  
17,1,,172444-46350,, "ROD-A,P.T.O.",1,1,1,,,,,,,,,,,,,  
18,1,,172187-46400,, "BRACKET (GRAY:73)",1,1,1,,,,,,,,,,,,,  
19,1,,172187-46430,, "SHAFT",1,1,1,,,,,,,,,,,,,  
20,1,,172187-46500,, "PEDAL PAD",1,1,1,,,,,,,,,,,,,  
21,1,,172122-46590,, "ELBALL 8",2,2,2,,,,,,,,,,,,,  
22,1,,172116-46630,, "KNOB, LOCK LEVER",1,1,1,,,,,,,,,,,,,  
23,1,,22137-080000,, "WASHER 8, POLISHED",2,2,2,,,,,,,,,,,,,  
24,1,,22137-080000,, "WASHER 8, POLISHED",1,1,1,,,,,,,,,,,,,  
25,1,,22417-160160,, "COTTER PIN 1.6X16",1,1,1,,,,,,,,,,,,,  
26,1,,24311-000210,, "O-RING 1A P-21.0",2,2,2,,,,,,,,,,,,,  
27,1,,24761-050000,, "NIPPLE C,GREASE",1,1,1,,,,,,,,,,,,,  
28,1,,26013-080162,, "BOLT W/WASHER M8X16",1,1,1,,,,,,,,,,,,,  
29,1,,26013-100252,, "BOLT W/WASHER M10X25",4,4,4,,,,,,,,,,,,,  
30,1,,26051-080002,, "NUT M 8",4,4,4,,,,,,,,,,,,,  
31,1,,26116-080304,, "BOLT M8 X 30 PLATED",2,2,2,,,,,,,,,,,,,  
32,1,,26668-080002,, "NUT,CAP 8",1,1,1,,,,,,,,,,,,,  
33,1,,26716-080002,, "NUT M 8",2,2,2,,,,,,,,,,,,,  
34,1,,26756-080002,, "LOCK NUT M 8 PLATED",1,1,1,,,,,,,,,,,,,  
35,1,,933110-54100,, "PIN 4.75X14",1,1,1,,,,,,,,,,,,,  
36,1,,22417-160160,, "COTTER PIN 1.6X16",1,1,1,,,,,,,,,,,,,  
37,1,,22137-080000,, "WASHER 8, POLISHED",1,1,1,,,,,,,,,,,,,

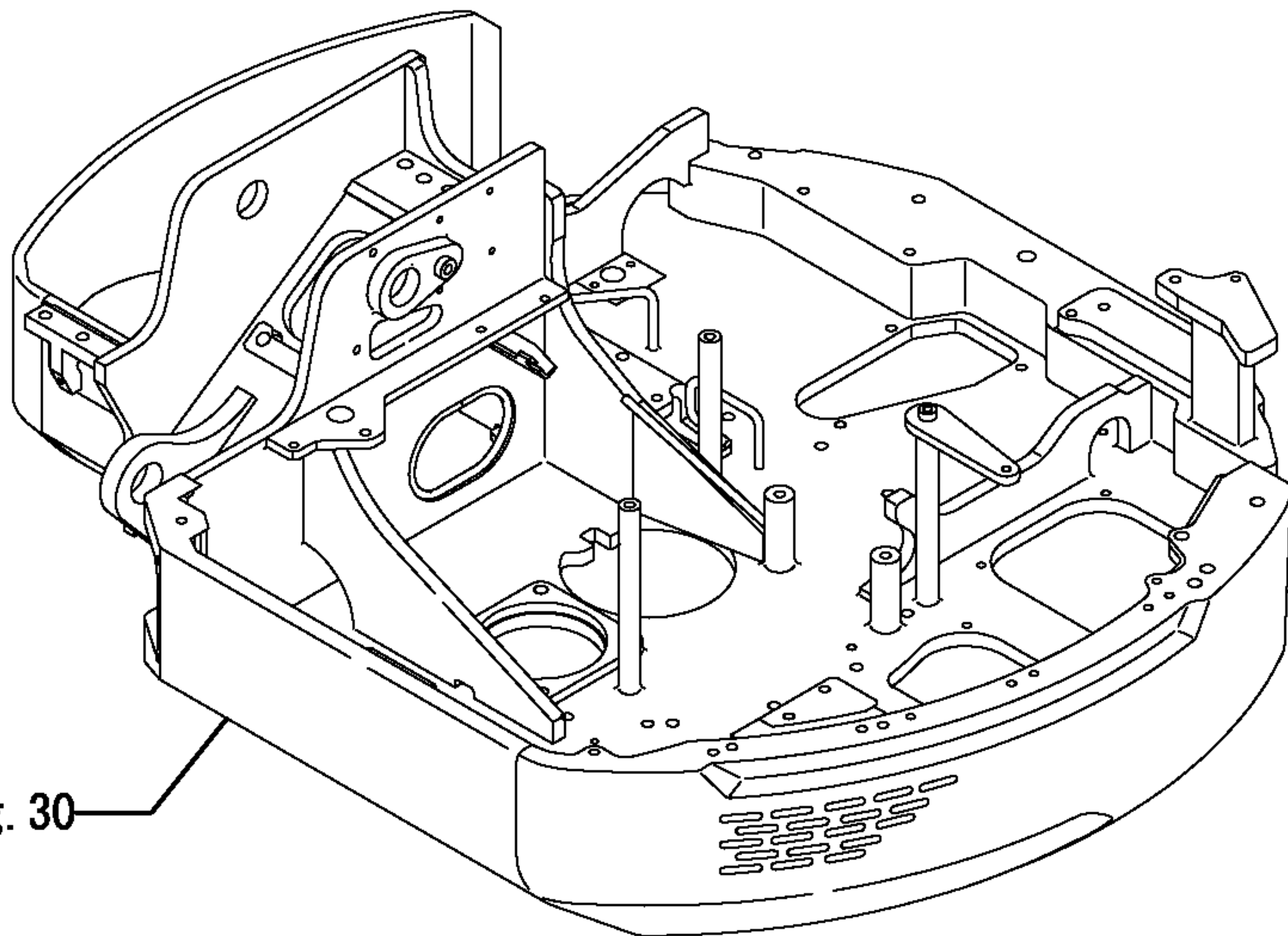


1,1,,172444-53300,, "WEIGHT,COUNTER(200KG",1,1,1,,,,,,,,,,,,,  
3,1,,22217-200000,, "SPRING WASHER 20",3,3,3,,,,,,,,,,,,,  
4,1,,26076-201402,, "BOLT 20\*140",3,3,3,,,,,,,,,,,,,  
5,1,,933172-14120,, "WASHER 21X40X6",3,3,3,,,,,,,,,,,,,  
6,1,,172444-54100,, "FRAME,TURNING (98)",1,,,,,,,,,,,,,  
6A,1,,172444-54101,, "FRAME,TURNING (98)",,1,,,,,,,,,,,,,I  
6A-1,1,,172444-54102,, "FRAME,TURNING  
(98)",,1,1,,,,,N,,,,,72444399,M/#36837,,,,,,,,,,,,,I  
7,1,,172444-54900,, "SEAL,WEIGHT A",1,1,,,,,,,,,,,,,  
7-1,1,,172444-54901,, "SEAL, WEIGHT A",,1,1,,,,,R,,,,,72444401,M/#36589,,,,,,,,,,,,,I  
8,1,,172444-54910,, "SEAL,WEIGHT B",1,1,1,,,,,,,,,,,,,  
9,1,,172444-54920,, "SEAL,WEIGHT C",1,1,1,,,,,,,,,,,,,  
12,1,,172444-54970,, "RUBBER,615",1,1,1,,,,,W,,72444266,M/#30718,,,,,,,,,,,,,I  
13,1,,172444-54980,, "SEAL,800",1,1,1,,,,,W,,72444266,M/#30718,,,,,,,,,,,,,I

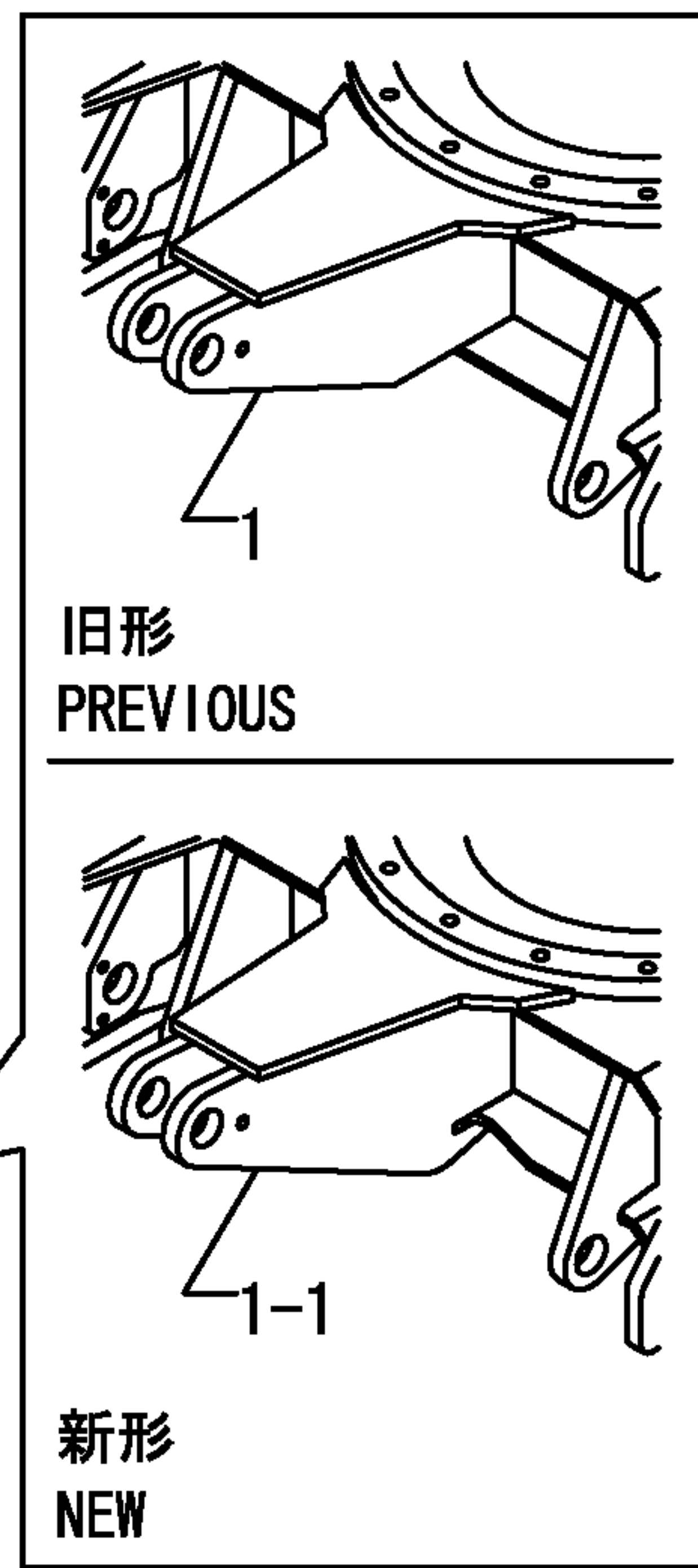
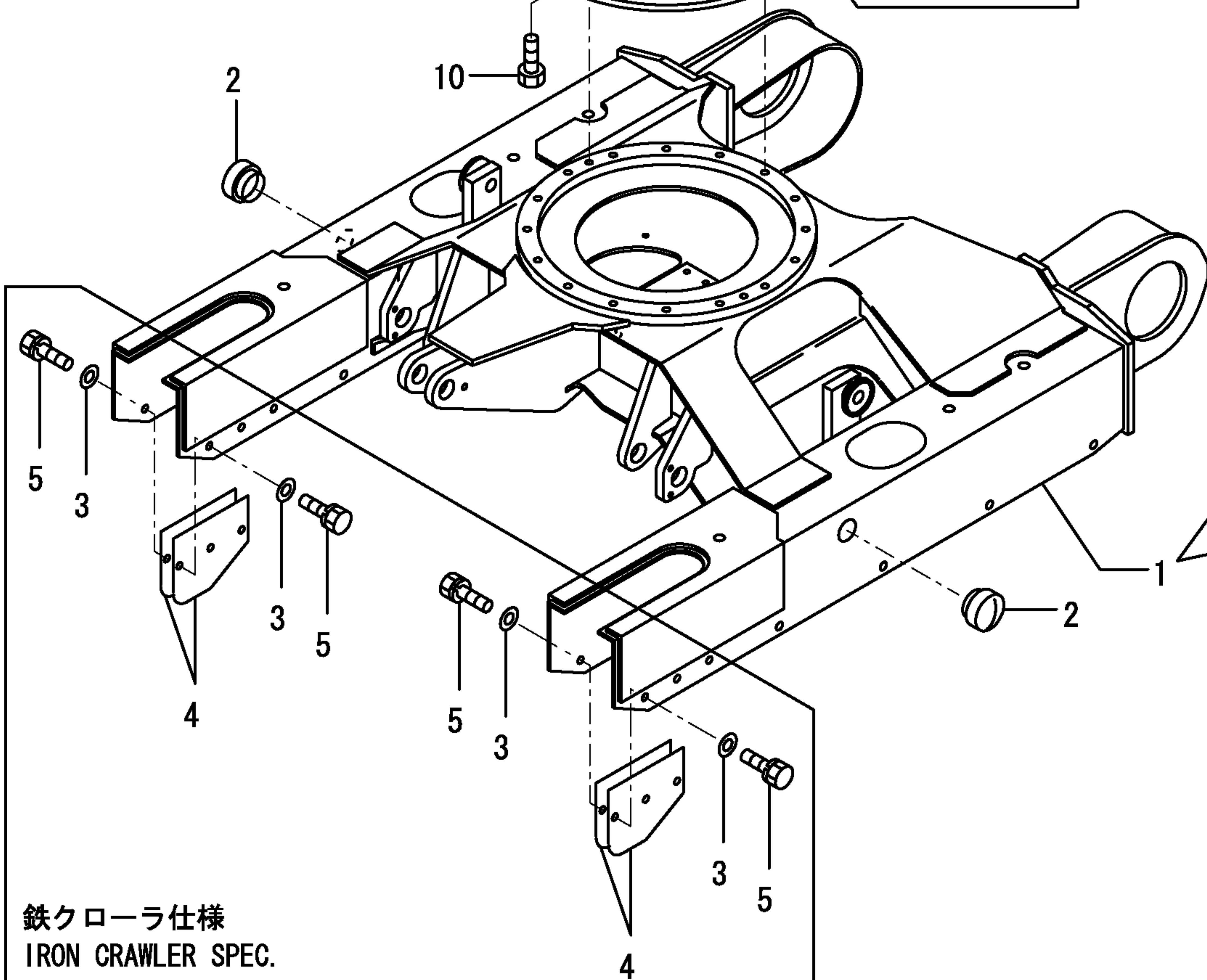
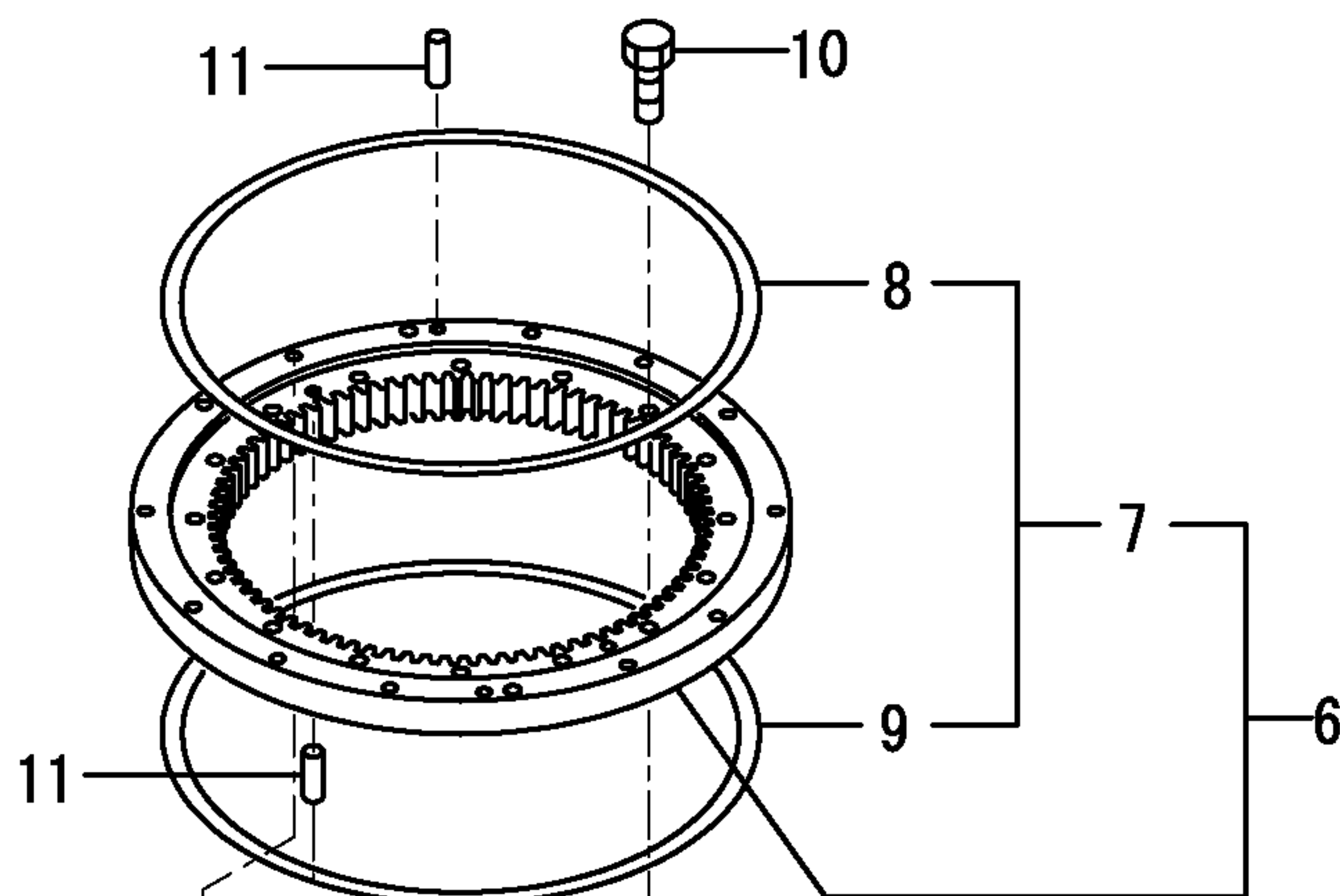




1,1,,172422-50100-4,, "FRAME, LOWER (98)",1,,,,,,,,,,,,,  
1-1,1,,172422-50101-4,, "FRAME, LOWER  
(98)",1,,,,,,S,,72450005,M/#31047,,,,,,,,,,,,,I  
2,1,,172141-50890,,GROMMET,2,,,,,,,,,,,,,  
3,1,,172730-05250,, "WASHER 12",12,,,,,,,,,,,,,I  
4,1,,172422-50910,, "GUARD, SHOE",4,,,,,,,,,,,,,I  
5,1,,26013-120452,, "BOLT M12X 45",12,,,,,,,,,,,,,I  
6,1,,172444-57600,, "BEARING, TURNING",1,,,,,,,,,,,,,  
7,2,,172142-57610,, "SEAL KIT",1,,,,,,,,,,,,,  
8,3,,172122-57630,, "SEAL, UPPER",1,,,,,,,,,,,,,  
9,3,,172122-57640,, "SEAL, LOWER",1,,,,,,,,,,,,,  
10,1,,172122-57610,,BOLT,32,,,,,,,,,,,,,  
11,1,,172122-57620,, "PARALLEL PIN 13X36",4,,,,,,,,,,,,,



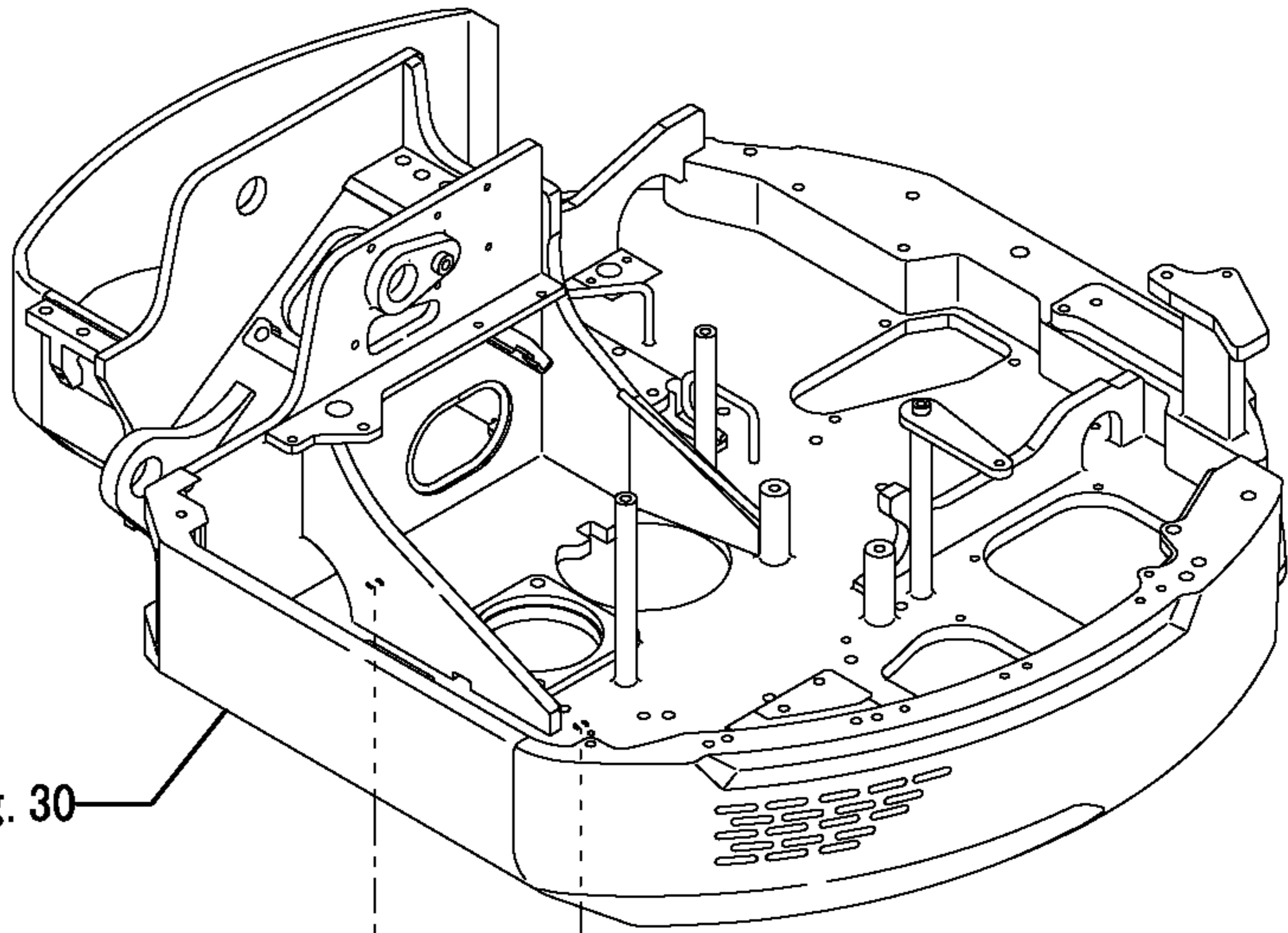
REFER TO Fig. 30



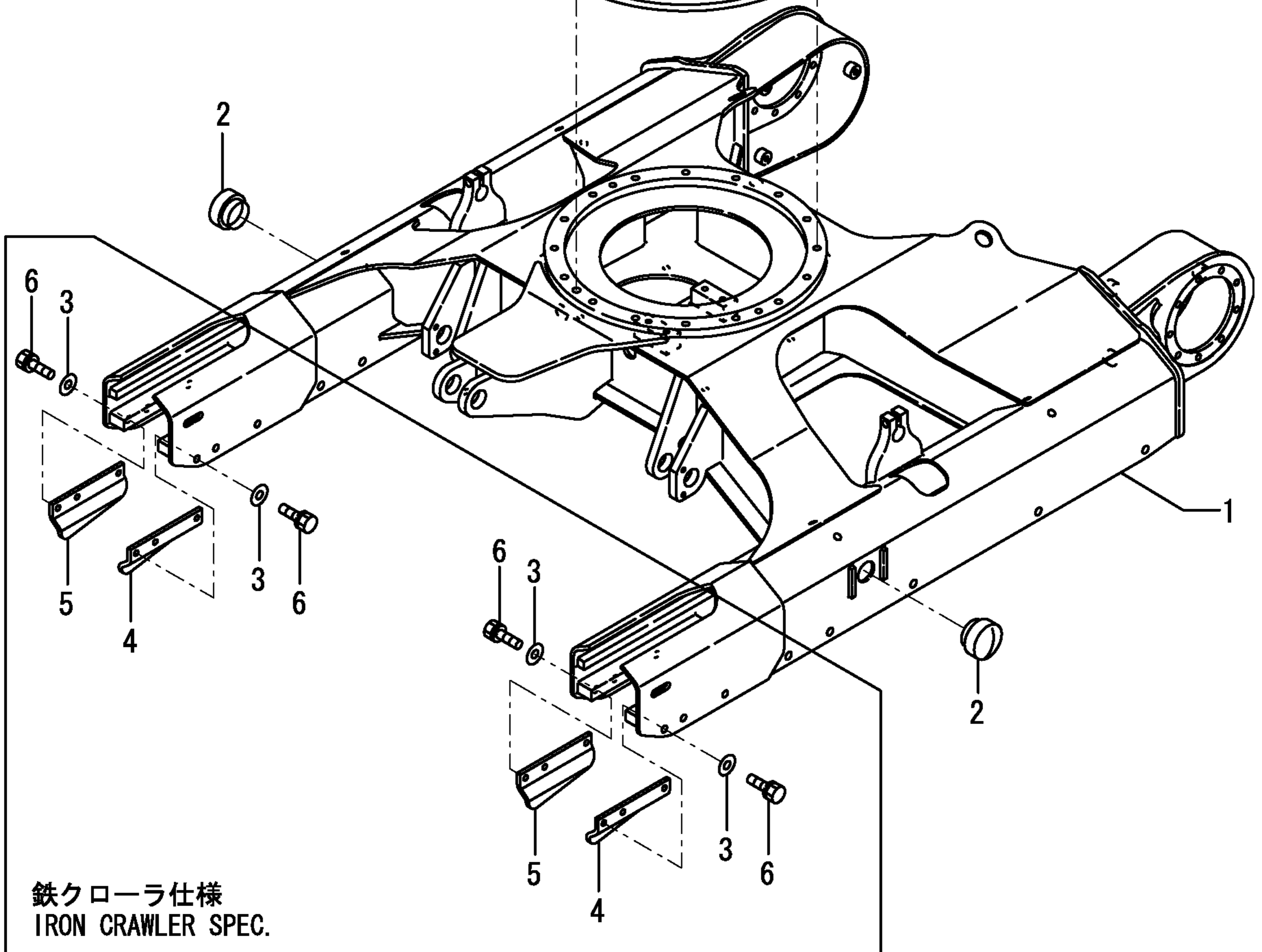
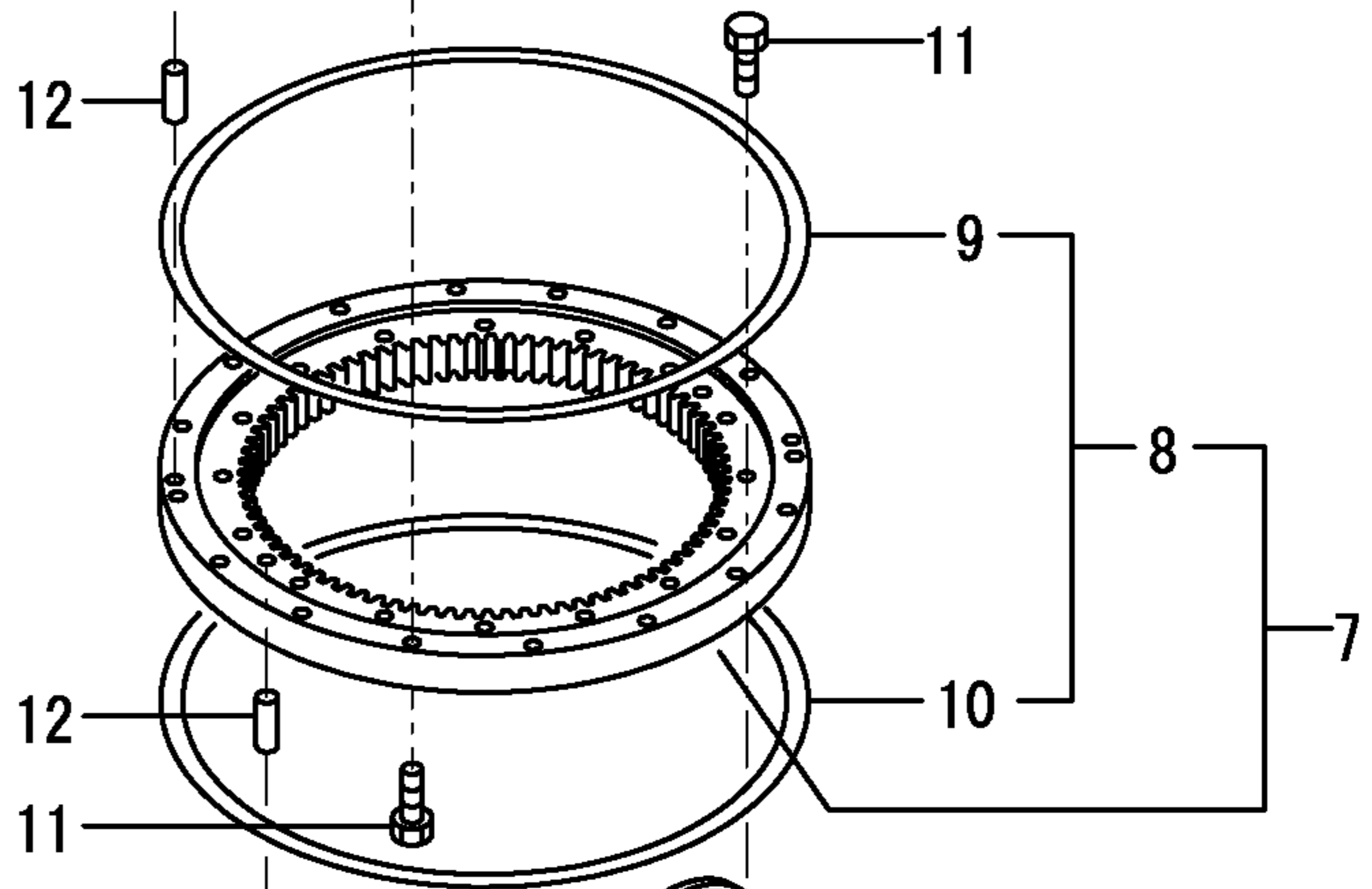
鉄クローラ仕様  
IRON CRAWLER SPEC.

1,1,,172458-50100,, "FRAME ASSY, LOWER",,1,,,,,,,,,,,,,I  
1-1,1,,172458-  
50101,, "FRAME,LOWER(GREEN:88",,1,1,,,,,N,,,,,72457038,M/#36349,,,,,,,,,I  
2,1,,172141-50890,,GROMMET,,2,2,,,,,,,,,,,,,I  
3,1,,172730-05250,, "WASHER 12",,12,12,,,,,,,,,,,,,I  
4,1,,172458-50800,, "PLATE, GUARD L (88)",,2,2,,,,,,,,,,,,,I  
5,1,,172458-50810,, "PLATE, GUARD R (88)",,2,2,,,,,,,,,,,,,I  
6,1,,26013-120252,, "BOLT M12X 25",,12,12,,,,,,,,,,,,,I  
7,1,,172458-57600,, "BEARING, TURNING (88)",,1,1,,,,,,,,,,,,,I  
8,2,,172142-57610,, "SEAL KIT",,1,1,,,,,,,,,,,,,I  
9,3,,172122-57630,, "SEAL, UPPER",,1,1,,,,,,,,,,,,,I  
10,3,,172122-57640,, "SEAL, LOWER",,1,1,,,,,,,,,,,,,I  
11,1,,172122-57610,,BOLT,,32,32,,,,,,,,,,,,,I  
12,1,,172122-57620,, "PARALLEL PIN 13X36",,4,4,,,,,,,,,,,,,I

M/# 36001~



REFER TO Fig. 30

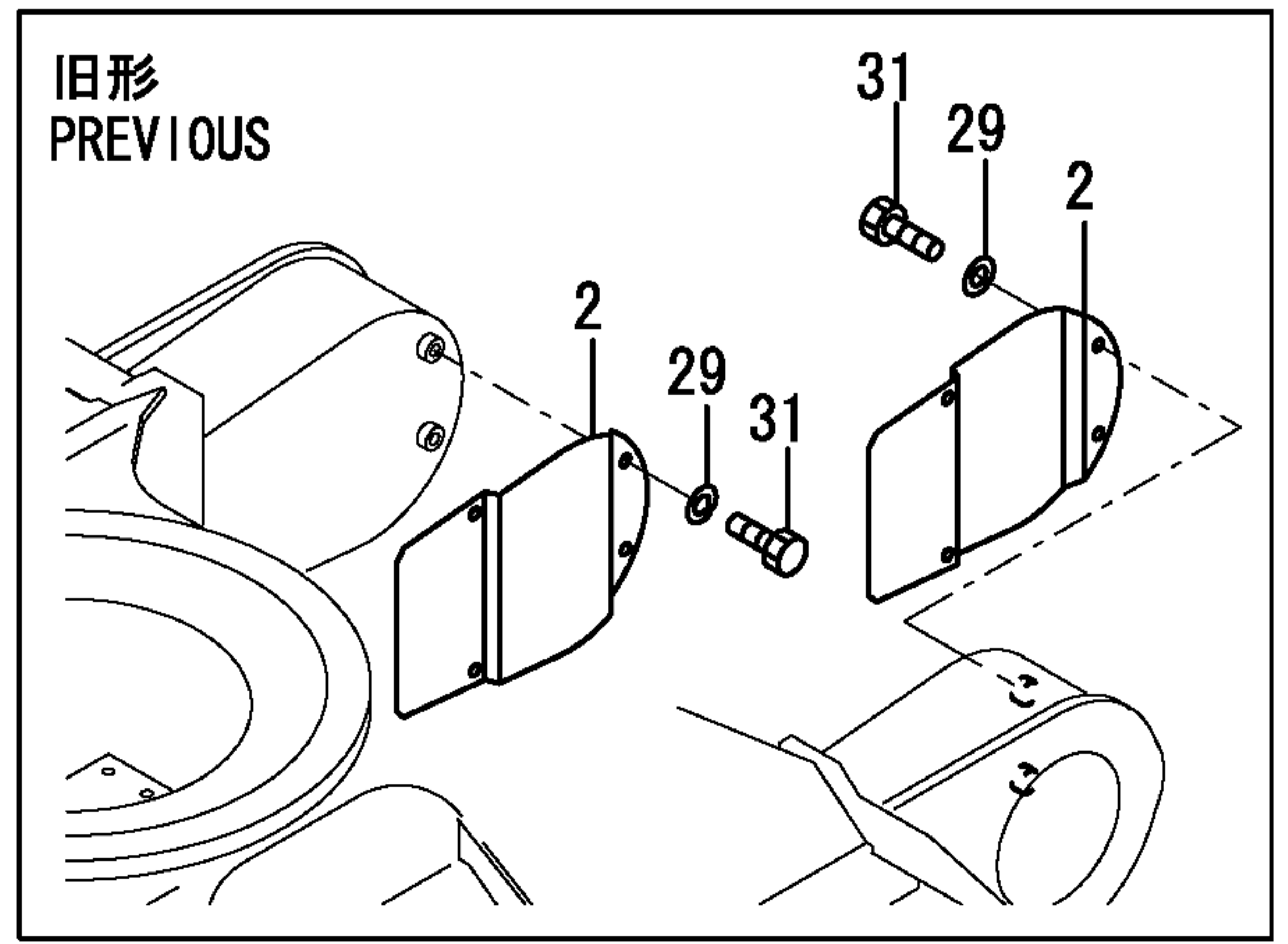
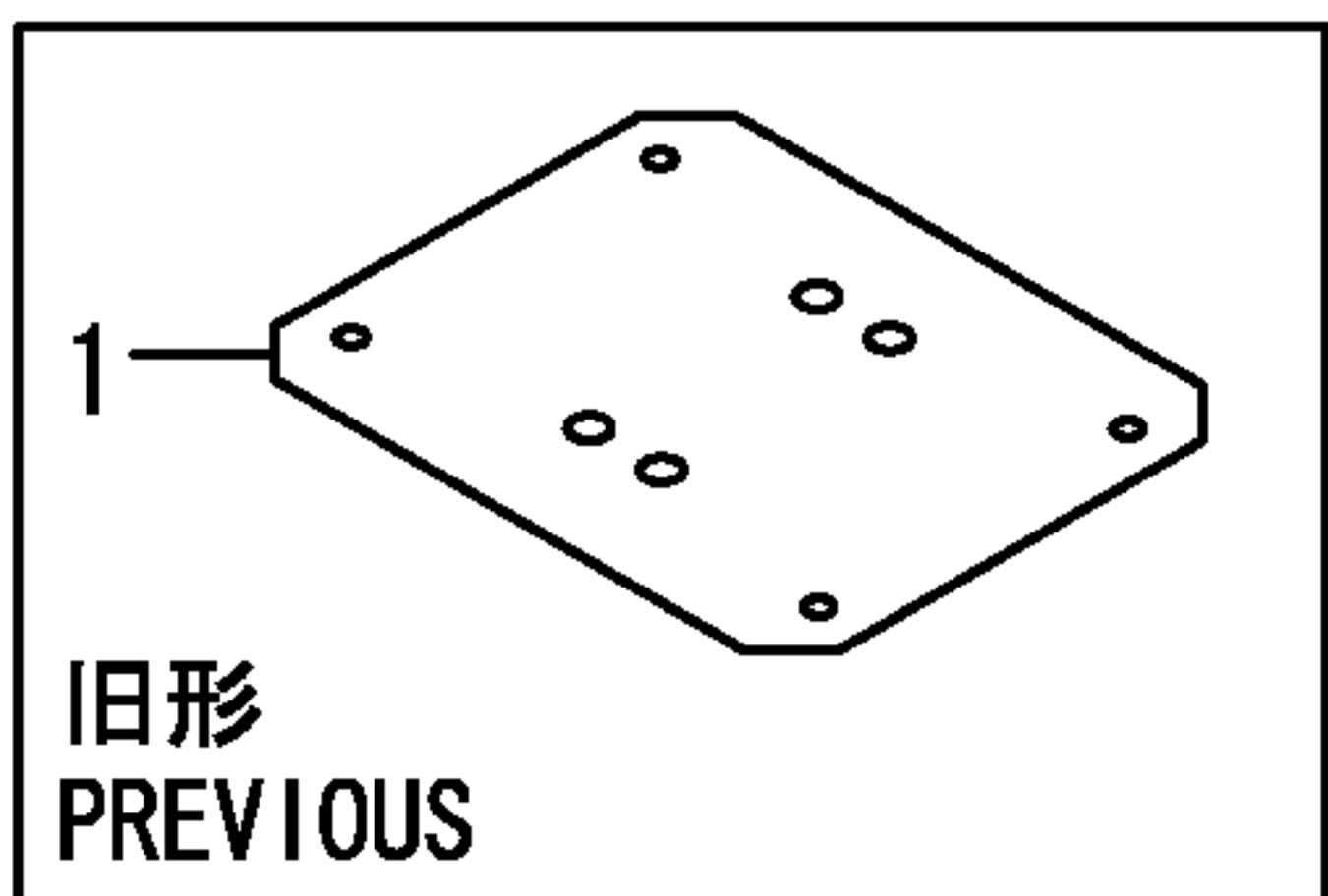
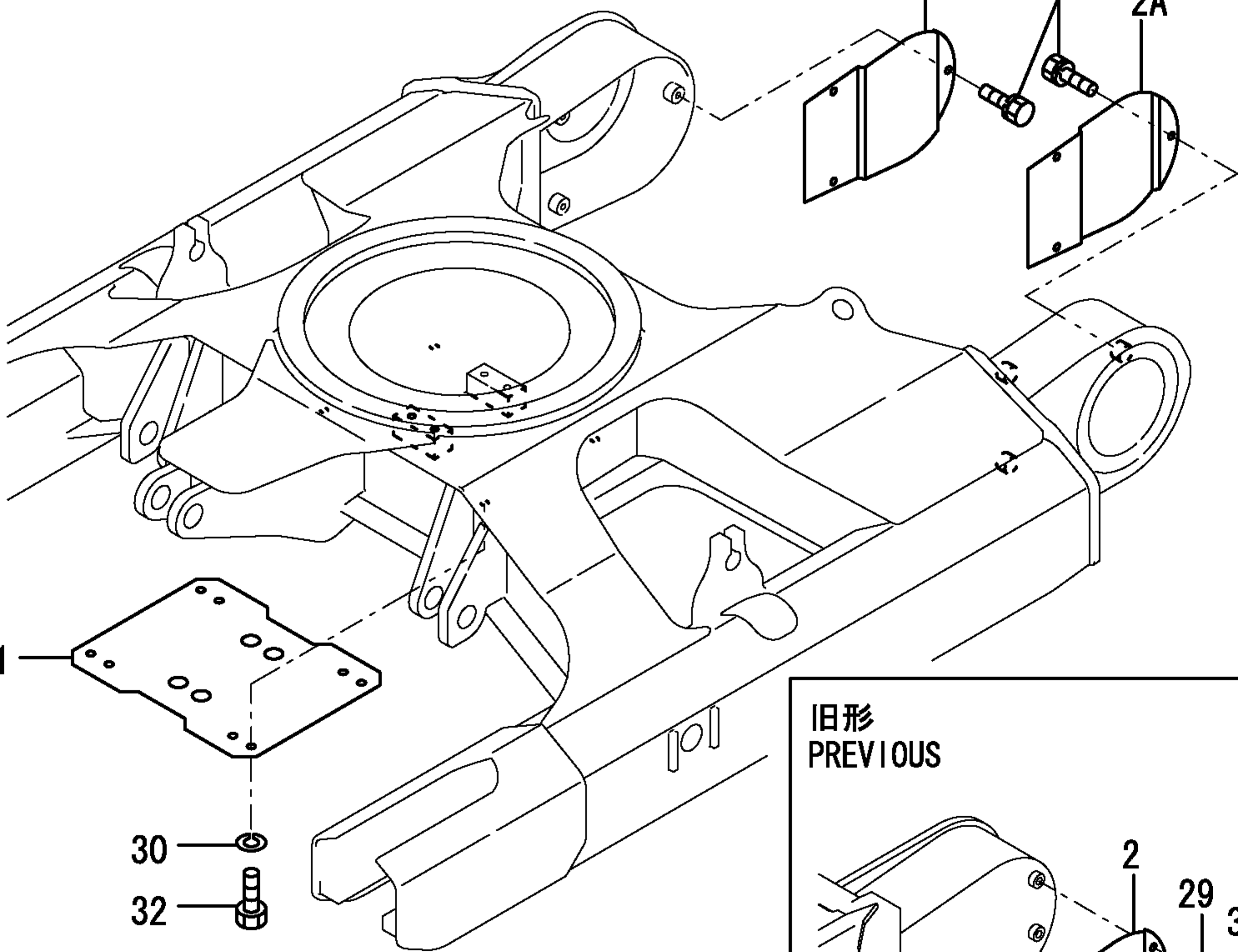
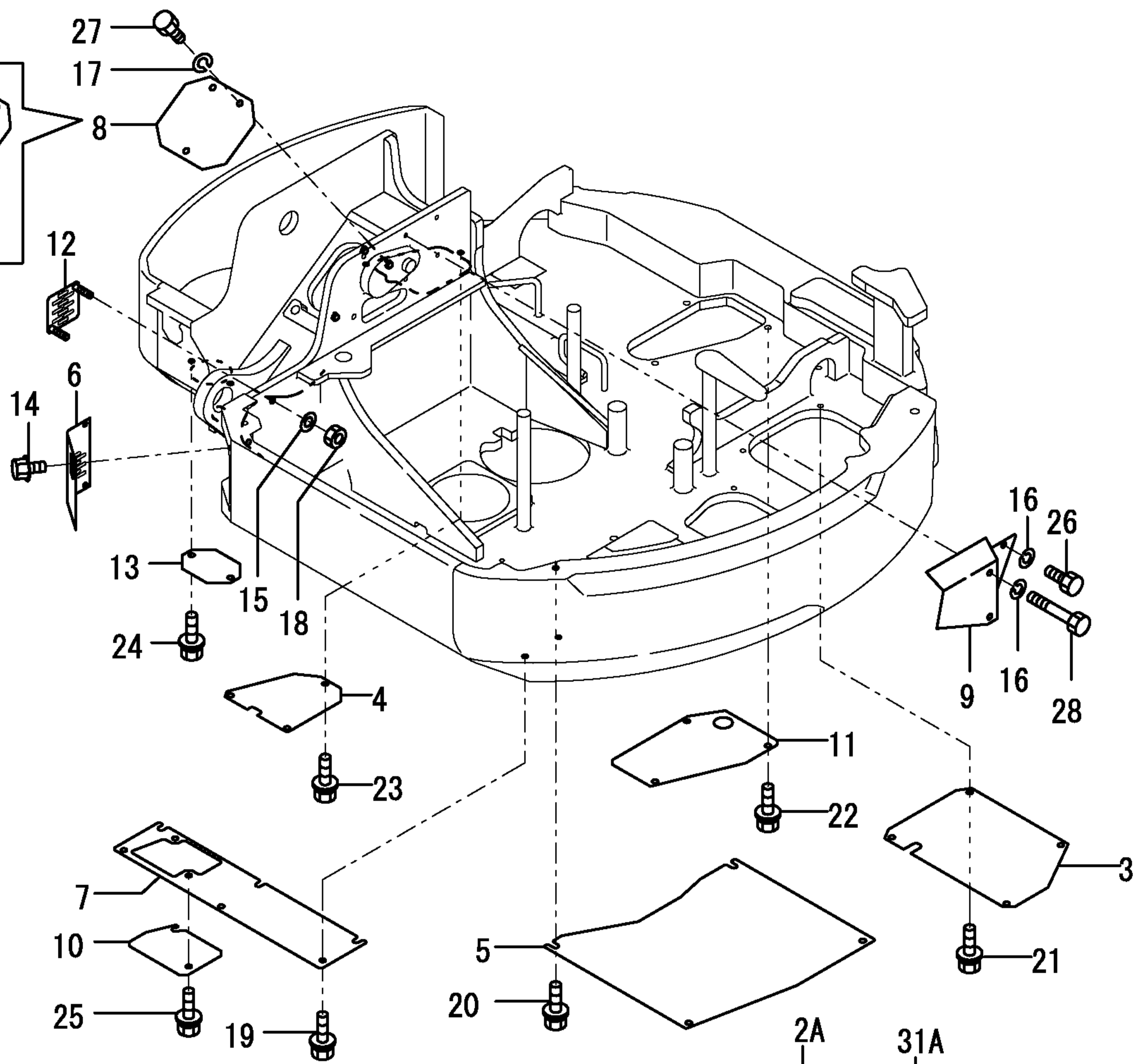


鉄クローラ仕様  
IRON CRAWLER SPEC.

1,1,,172141-50761-4,, "COVER, UNDER (98)",1,,,,,,,,,,,,,  
1-1,1,,172141-50762,, "COVER, UNDER  
(98)",1,1,1,,,,,S,,72450005,M/#31047,,,,,,,,,,,,,  
2,1,,172148-61100-4,, "COVER, TRAVEL (98)",2,,,,,,,,,,,,,  
2A,1,,172458-61100,, "COVER, TRAVEL (GREEN:98)",2,2,,,,,,,,,,,,,I  
3,1,,172175-61120,, "PLATE A (GREEN:98)",1,1,1,,,,,,,,,,,,,  
4,1,,172444-61150,, "COVER A (GREEN:98)",1,1,1,,,,,,,,,,,,,  
5,1,,172444-61160,, "COVER B (GREEN:98)",1,1,1,,,,,,,,,,,,,  
6,1,,172444-61170,, "COVER C (GREEN:98)",1,,,,,,,,,,,,,  
6-1,1,,172444-61140,, "COVER C ASSY",1,1,1,,,,,N,,72444328,M/#30921,,,,,,,,,,,,,  
7,1,,172444-61180,, "COVER D (GREEN:98)",1,1,1,,,,,,,,,,,,,  
8,1,,172444-61260,, "COVER E (GREEN:98)",1,1,1,,,,,,,,,,,,,  
9,1,,172444-61280,, "COVER H",1,1,1,,,,,,,,,,,,,  
10,1,,172444-61290,, "COVER I (GREEN:98)",1,1,1,,,,,,,,,,,,,  
11,1,,172444-61460,, "COVER G (GREEN:98)",1,1,1,,,,,,,,,,,,,  
12,1,,172444-61480,, "COVER J (GREEN:98)",1,1,1,,,,,,,,,,,,,  
13,1,,172168-61560-3,, "PLATE G (GREEN:98)",1,1,1,,,,,,,,,,,,,  
14,1,,172137-69850,, "SCREW, 4, 4, 4",,,,,,,,,,,,,,  
15,1,,22137-080000,, "WASHER 8, POLISHED",2,2,2,,,,,,,,,,,,,  
16,1,,22217-100000,, "SPRING WASHER 10",3,3,3,,,,,,,,,,,,,  
17,1,,22217-100000,, "SPRING WASHER 10",3,3,3,,,,,,,,,,,,,  
18,1,,26051-080002,, "NUT M 8",2,2,2,,,,,,,,,,,,,  
19,1,,26106-100162,, "BOLT M10X 16 PLATED",6,6,6,,,,,,,,,,,,,  
20,1,,26106-100162,, "BOLT M10X 16 PLATED",4,4,4,,,,,,,,,,,,,  
21,1,,26106-100162,, "BOLT M10X 16 PLATED",4,4,4,,,,,,,,,,,,,  
22,1,,26106-100162,, "BOLT M10X 16 PLATED",3,3,3,,,,,,,,,,,,,  
23,1,,26106-100162,, "BOLT M10X 16 PLATED",3,3,3,,,,,,,,,,,,,  
24,1,,26106-100162,, "BOLT M10X 16 PLATED",2,2,2,,,,,,,,,,,,,  
25,1,,26106-100162,, "BOLT M10X 16 PLATED",2,2,2,,,,,,,,,,,,,  
26,1,,26116-100202,, "BOLT M10X 20 PLATED",1,1,1,,,,,,,,,,,,,  
27,1,,26116-100202,, "BOLT M10X 20 PLATED",3,3,3,,,,,,,,,,,,,  
28,1,,26116-100602,, "BOLT M10X 60 PLATED",2,2,2,,,,,,,,,,,,,  
29,1,,22217-100000,, "SPRING WASHER 10",8,,,,,,Z,,72444371,M/#36001,,,,,,,,,,,,,I  
30,1,,22217-120000,, "SPRING WASHER 12",4,4,4,,,,,,,,,,,,,  
31,1,,26116-100202,, "BOLT M10X 20 PLATED",8,,,,,,,,,,,,,  
31A,1,,26013-100202,, "BOLT W/WASHER M10X20",6,6,,,,,,,,,,,,,I  
32,1,,26116-120252,, "BOLT M12X 25 PLATED",4,4,4,,,,,,,,,,,,,  
33,1,,172444-61930,, "COVER CMP, FRAME P",1,1,1,,,,,1,,,,,,,,,,,,



PT0仕様  
P. T. O. SPEC.



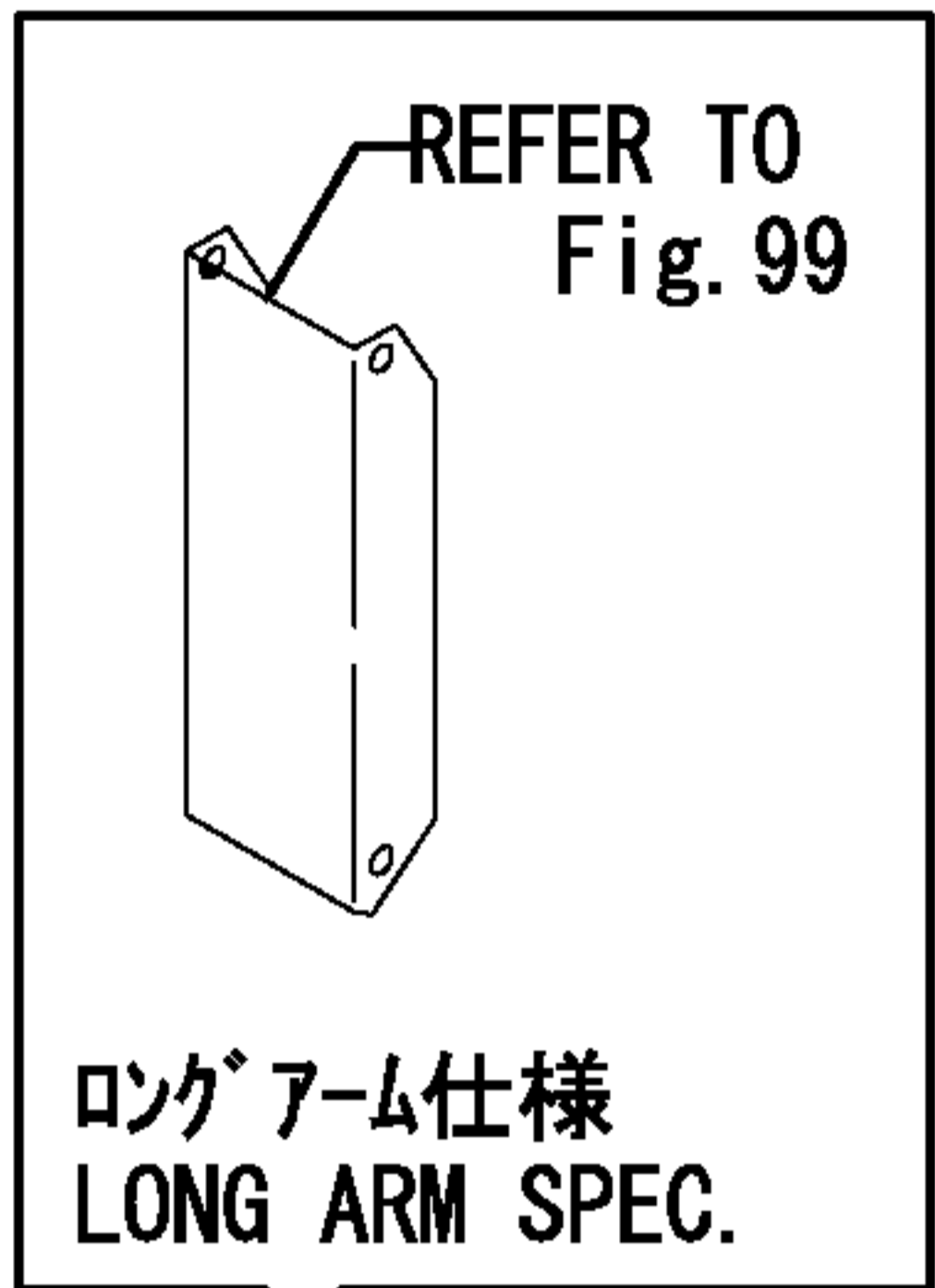
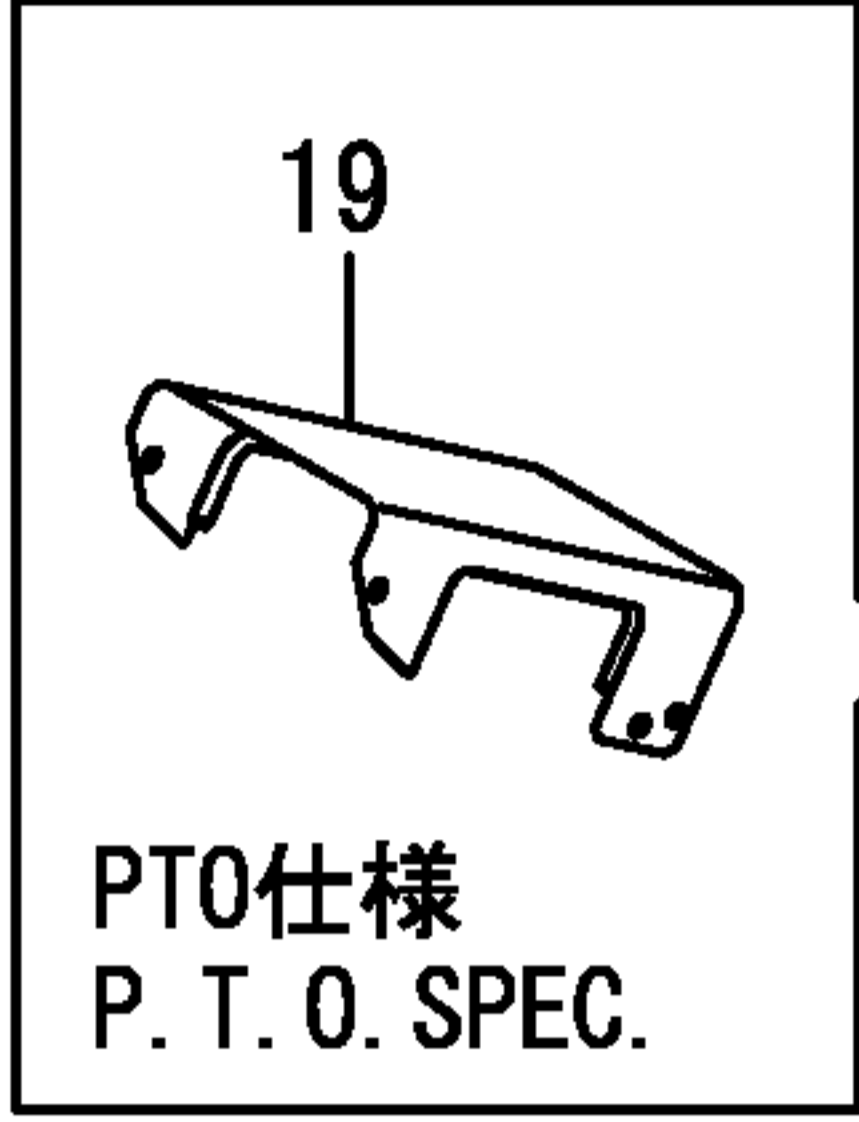
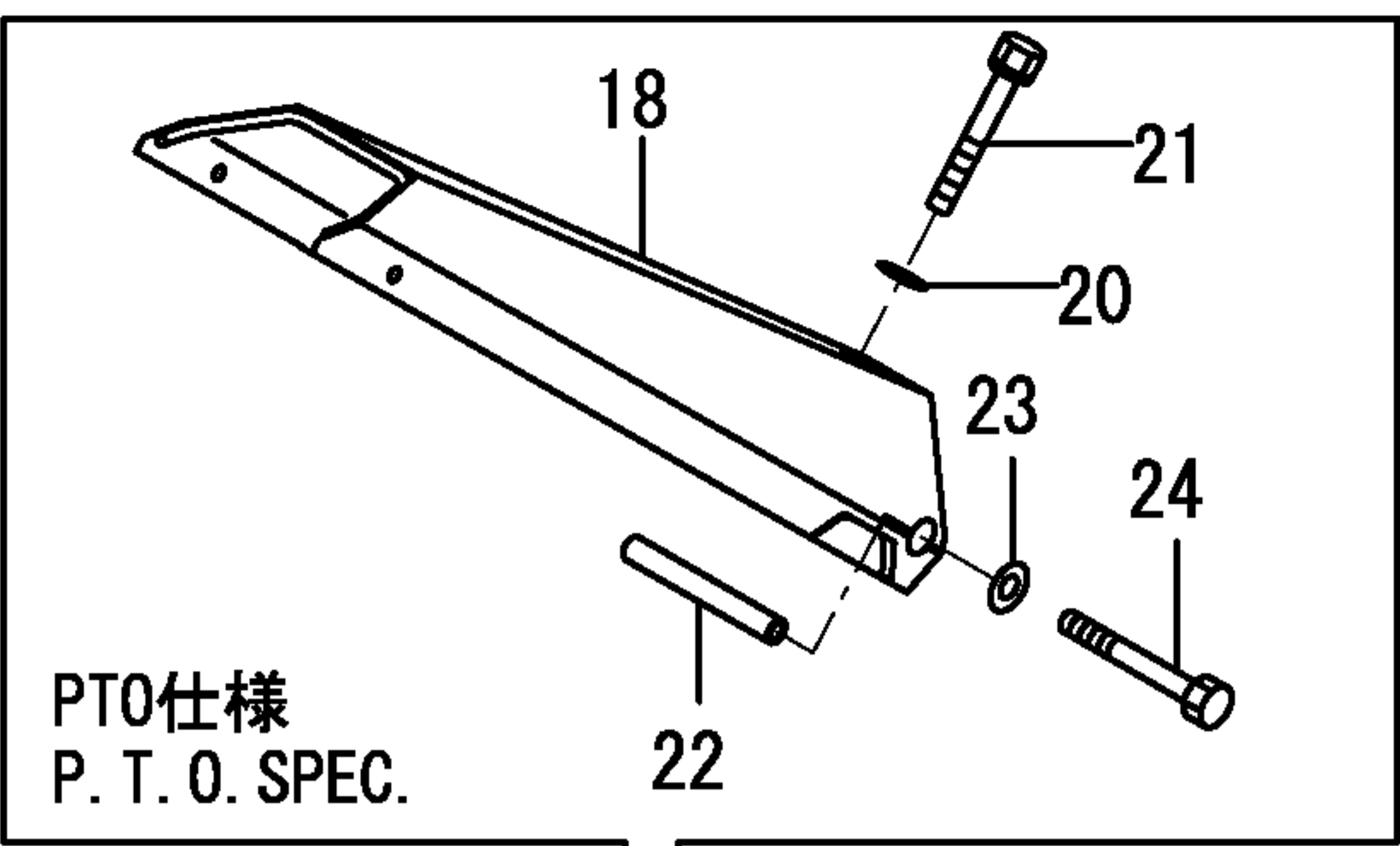
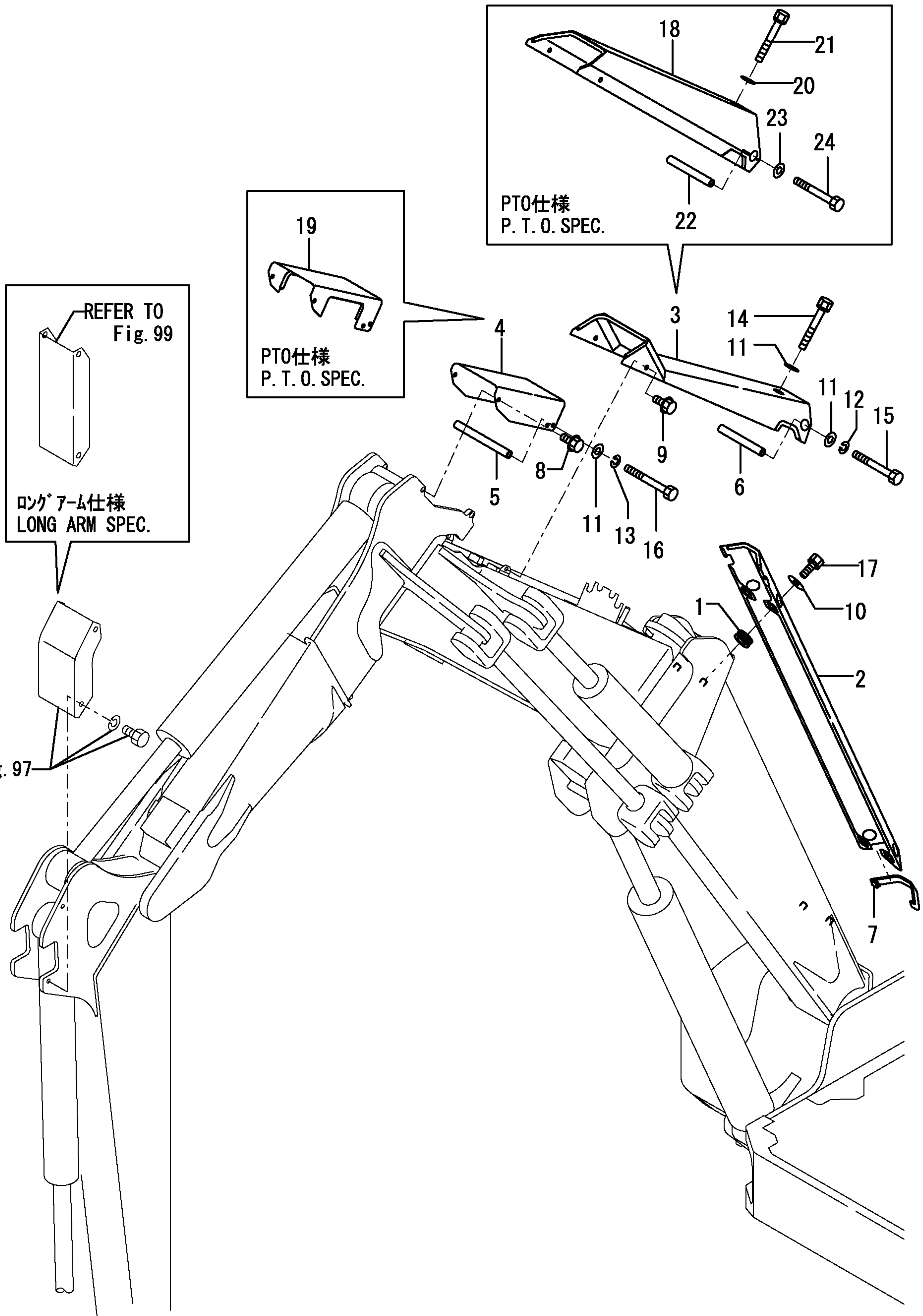
1,1,,172122-55061,, "BRACKET, GREASE PUMP",2,2,2,,,,,,,,,,,,,  
2,1,,1A1380-58050,, "GROMMET  
16X20X4.5",1,1,,,,,Z,,,72444391,M/#36313,72444391,M/#36313,,,,,,,,,I  
3,1,,172444-61100,, "COVER,FRONT(GREEN:96",1,,,,,,,,,,,,,  
3-1,1,,172444-  
61101,, "COVER,FRONT(GREEN:96",1,1,1,,,,,R,,,72444300,M/#30820,,,,,,,,,  
4,1,,172444-61110,, BRACKET,1,1,1,,,,,,,,,,,,,  
5,1,,172444-61210,, "COVER,SIDE",1,1,1,,,,,,,,,,,,,  
6,1,,172444-61400,, "COVER L ASSY",1,1,,,,,,,,,,,,,  
6-1,1,,172444-61401,, "COVER L ASSY",1,1,,,,,N,,,,,72444391,M/#36313,,,,,,,,,I  
7,1,,172187-61420,, "HANDLE, LOCK",1,,,,,,,,,,,,,  
7-1,1,,172187-61421,, "HANDLE, LOCK",1,1,1,,,,,N,,,72187632,M/#30820,,,,,,,,,  
8,1,,172444-61610,, "COVER,MULTI(BLACK:12",1,1,1,,,,,,,,,,,,,  
10,2,,172444-61690,, SEAL,1,1,1,,,,,,,,,,,,,  
11,2,,172171-65850,, "RUBBER,SEAL K",1,1,1,,,,,,,,,,,,,  
12,1,,172444-62200,, "COVER MOUNT(GRAY:73)",1,,,,,,,,,,,,,  
12-1,1,,172444-62201,, "FRONT COVER  
MOUNT",1,1,,,,,N,,,72444338,M/#30987,,,,,,,,,I  
12-2,1,,172444-62202,, "FRONT COVER  
MOUNT(73",1,1,,,,,N,,,,,72490007,M/#36859,,,,,,,,,I  
13,1,,172444-62380,, "COVER B (GRAY:73)",1,,,,,,,,,,,,,  
14,1,,172444-62450,, "SEAL 1450",1,,,,,,,,,M,,,,,,,,,I  
14-1,1,,172444-62451,, SEAL,1,1,1,,,,,,,,,,,,,I  
15,1,,172444-62550,, "GUIDE (GRAY:73)",1,1,1,,,,,,,,,,,,,  
16,1,,172444-62700,, CABLE,1,1,1,,,,,,,,,,,,,  
17,1,,172519-63240,, "BOLT 8X 16",4,4,4,,,,,,,,,,,,,  
18,1,,172164-65710,, "RUBBER, SEAL B",1,1,1,,,,,,,,,,,,,  
19,1,,172164-65740,, "RUBBER, SEAL E",1,1,1,,,,,,,,,,,,,  
20,1,,172422-65750,, "SEAL (A)",1,1,1,,,,,,,,,,,,,  
21,1,,172164-66170,, "KEY ASSY, CYLINDER",1,1,1,,,,,,,,,,,,,  
22,1,,172162-69470,, "LOCK PLATE",1,1,1,,,,,,,,,,,,,  
23,1,,22137-080000,, "WASHER 8, POLISHED",2,2,2,,,,,,,,,,,,,  
24,1,,22137-080000,, "WASHER 8, POLISHED",2,2,2,,,,,,,,,,,,,  
25,1,,22157-080000,, "WASHER 8",4,4,4,,,,,,,,,,,,,  
26,1,,22157-100000,, "WASHER 10",2,2,2,,,,,,,,,,,,,  
27,1,,22417-200200,, "COTTER PIN 2.0X20",2,2,2,,,,,,,,,,,,,  
28,1,,26013-060122,, "BOLT M 6X 12",4,4,4,,,,,,,,,,,,,  
29,1,,26013-080202,, "BOLT W/WASHER M8X20",2,2,2,,,,,,,,,,,,,  
30,1,,26013-080202,, "BOLT W/WASHER M8X20",4,4,4,,,,,,,,,,,,,  
31,1,,26013-100202,, "BOLT W/WASHER M10X20",4,4,4,,,,,,,,,,,,,  
32,1,,26013-100202,, "BOLT W/WASHER M10X20",3,3,3,,,,,,,,,,,,,  
33,1,,22217-100000,, "SPRING WASHER 10",4,,,,,M,,,,,,,,,I  
33-1,1,,22217-080000,, "SPRING WASHER 8",4,4,,,,,,,,,,,,,I  
33-2,1,,22217-080000,, "SPRING WASHER  
8",3,3,,,,,K,,,,,72444388,M/#36495,,,,,,,,,I  
34,1,,172142-62300,, "WING BOLT M10X15",1,1,1,,,,,,,,,,,,,  
35,1,,22217-100000,, "SPRING WASHER 10",3,3,3,,,,,,,,,,,,,  
36,1,,22217-080000,, "SPRING WASHER  
8",1,1,,,,,Z,,,72444391,M/#36313,72444391,N/#36313,,,,,,,,,I  
37,1,,22217-100000,, "SPRING WASHER 10",3,3,3,,,,,,,,,,,,,  
38,1,,22157-080000,, "WASHER  
8",1,1,,,,,Z,,,72441391,M/#36313,72441391,M/#36313,,,,,,,,,I  
39,1,,26116-080202,, "BOLT M 8X 20  
PLATED",1,1,,,,,Z,,,72444391,M/#36313,72441391,M/#36313,,,,,,,,,I  
40,1,,26116-100202,, "BOLT M10X 20 PLATED",3,3,3,,,,,,,,,,,,,  
41,1,,26116-100202,, "BOLT M10X 20 PLATED",3,3,3,,,,,,,,,,,,,  
42,1,,26347-100002,, "NUT 10",1,1,1,,,,,,,,,,,,,  
43,1,,26116-100202,, "BOLT M10X 20 PLATED",4,,,,,M,,,,,,,,,I  
43-1,1,,26116-080202,, "BOLT M 8X 20 PLATED",4,4,,,,,,,,,,,,,I  
43-2,1,,26116-080202,, "BOLT M 8X 20  
PLATED",3,3,,,,,K,,,,,72444388,M/#36495,,,,,,,,,I  
44,1,,172162-15310,, SEAL,1,1,1,,,,,,,,,,,,,  
45,1,,172444-61200,, "COVER-F (GREEN:98)",1,,,,,,,,,,,,,



45-1,1,,172444-61201,, "COVER-F  
(GREEN:98)",1,1,1,,,,S,,72444336,M/#30718,,,,,  
46,1,,172490-61700,, "COVER ASSY,MULTI" ,,,1,,,,,,I  
49,2,,172444-61690,,SEAL,,,,1,,,,,,I  
52,2,,172171-65850,, "RUBBER,SEAL K" ,,,1,,,,,,I  
53,1,,172490-61771,, "COVER L ASSY,CAB" ,,,1,,,,,,I  
54,2,,172446-13520,, "SEAL A" ,,,1,,,,,,I  
57,2,,172456-65790,, "RUBBER,SEAL 85" ,,,1,,,,,,I  
58,2,,172456-65850,, "SEAL,DUCT 385" ,,,1,,,,,,I  
59,1,,172490-61780,, "PLATE ASSY, SEAL" ,,,1,,,,,,I  
60,2,,172164-19210,, "RUBBER SEAL" ,,,1,,,,,,I  
61,2,,172458-46790,, "SEAL,LEVER STAND" ,,,1,,,,,,I



1,1,,1A1380-58050,, "GROMMET 16X20X4.5",4,4,4,,,,,,,,,,,,,  
2,1,,172444-61650,, "COVER,BOOM A (97)",1,1,1,,,,,,,,,,,,,  
3,1,,172444-61700,, "COVER,BOOM B (97)",1,1,1,,,,,,,,,,,,,  
4,1,,172444-61800,, "COVER,BOOM C (97)",1,1,1,,,,,,,,,,,,,  
5,1,,172444-61830,, "SPACER B,COVER",1,1,1,,,,,,,,,,,,,  
6,1,,172444-61890,, "SPACER C,COVER",1,1,1,,,,,,,,,,,,,  
7,1,,172444-61970,, "BOOM A COVER",1,,,,,,Z,,72444336,M/#30718,,,,,,,,,  
8,1,,172162-68370,, BOLT,4,,,,,,,,,,,,,  
8-1,1,,26013-080162,, "BOLT W/WASHER  
M8X16",4,4,4,,,,,N,,72444327,M/#30718,,,,,,,,,  
9,1,,172162-68370,, BOLT,2,,,,,,,,,,,,,  
9-1,1,,26013-080162,, "BOLT W/WASHER  
M8X16",2,2,2,,,,,N,,72444327,M/#30718,,,,,,,,,  
10,1,,22157-080000,, "WASHER 8",4,4,4,,,,,,,,,,,,,  
11,1,,22157-080000,, "WASHER 8",3,,,,,,Z,,72444372,M/#30718,,,,,,,,,  
12,1,,22217-080000,, "SPRING WASHER 8",1,1,1,,,,,,,,,,,,,  
13,1,,22217-100000,, "SPRING WASHER 10",4,4,4,,,,,,,,,,,,,  
13-1,1,,22217-080000,, "SPRING WASHER 8",1,1,1,,,,,N,,72444327,M/#30718,,,,,,,,,  
14,1,,26013-080552,, "BOLT M 8X 55",1,1,1,,,,,,,,,,,,,  
15,1,,26116-081202,, "BOLT M 8X120 PLATED",1,1,1,,,,,,,,,,,,,  
16,1,,26116-081502,, "BOLT M 8X150 PLATED",1,1,1,,,,,,,,,,,,,  
17,1,,26013-080202,, "BOLT W/WASHER M8X20",4,4,4,,,,,,,,,,,,,  
18,1,,172444-61010,, "COVER,BOOM-B(PTO(97)",1,1,1,,,,,1,,,,,,,,,  
19,1,,172444-61840,, "COVER,BOOM-C(PTO(97)",1,1,1,,,,,1,,,,,,,,,  
20,1,,22217-080000,, "SPRING WASHER 8",1,1,1,,,,,1,,,,,,,,,  
21,1,,26116-080952,, "BOLT M 8X 95 PLATED",1,1,1,,,,,1,,,,,,,,,  
22,1,,172444-61830,, "SPACER B,COVER",1,1,1,,,,,1,,,,,,,,,  
23,1,,22217-080000,, "SPRING WASHER 8",1,1,1,,,,,1,,,,,,,,,  
24,1,,26116-081502,, "BOLT M 8X150 PLATED",1,1,1,,,,,1,,,,,,,,



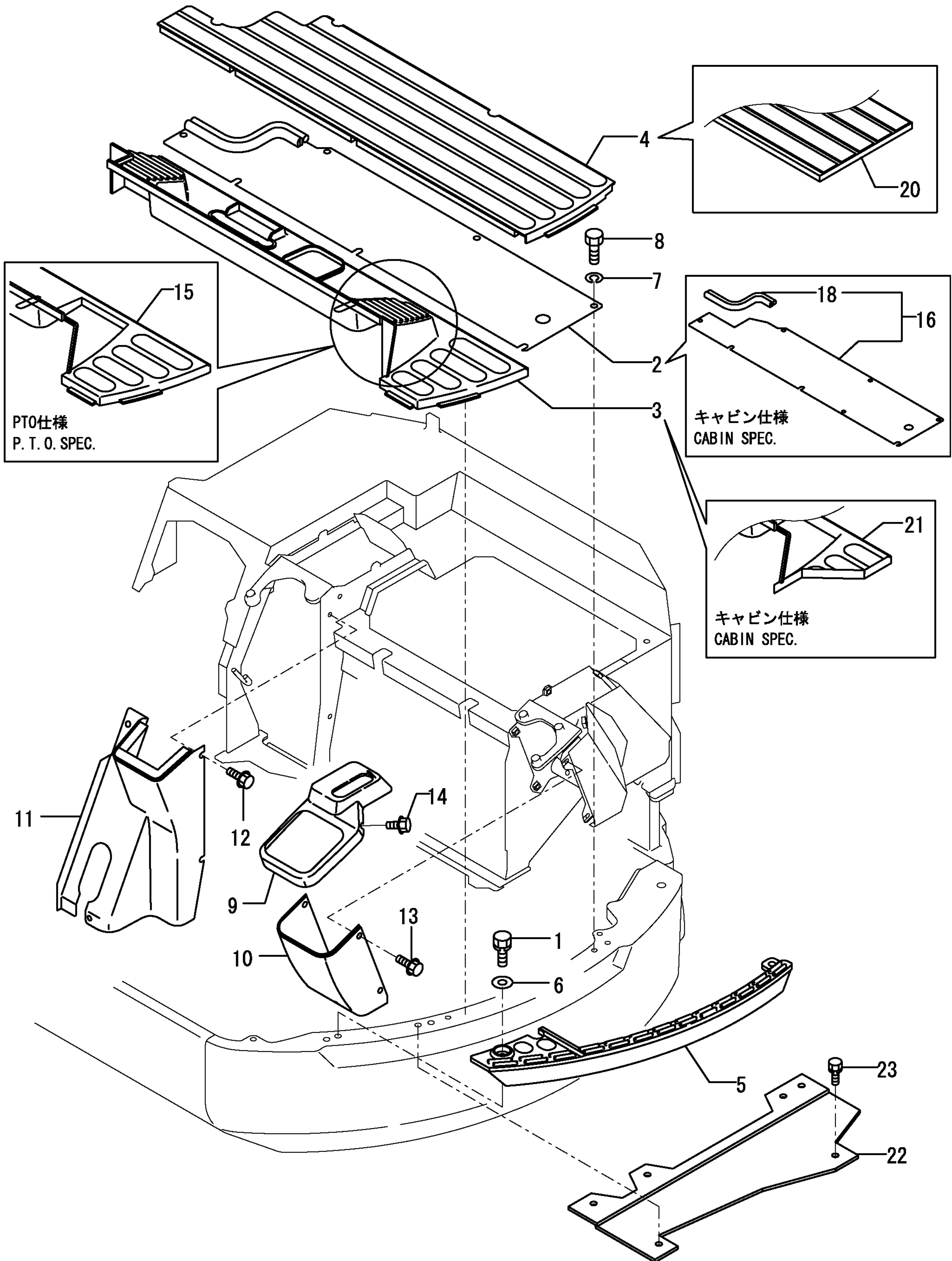
REFER TO Fig. 97

```

1,1,,172164-19130,, "BOLT M10X 25",2,2,2,,,,,,,,,,,,,
2,1,,172444-62100,,STEP,1,1,,,,,,,,,,,,,
2-1,1,,172444-62101,, "STEP (EV ASSY",,1,,,,,N,,,,,72444401,M/#36859,,,,,,,,,I
3,1,,172444-62160,, "MAT B",1,1,,,,,,,,,,,,,
4,1,,172444-62171,, "MAT A",1,1,,,,,,,,,,,,,
5,1,,172444-62181,,PLATE,1,1,1,,,,,,,,,,,,,
6,1,,22137-100000,, "WASHER 10,POLISHED",2,2,2,,,,,,,,,,,,,
7,1,,22217-100000,, "SPRING WASHER 10",7,7,7,,,,,,,,,,,,,
8,1,,26116-100252,, "BOLT M10X 25 PLATED",7,7,7,,,,,,,,,,,,,
9,1,,172444-63100,, "INSTRUMENT PANEL L",1,1,1,,,,,,,,,,,,,
10,1,,172444-63110,, "COVER L",1,1,1,,,,,,,,,,,,,
11,1,,172444-63120,,COVER,1,1,1,,,,,,,,,,,,,
11-1,1,,172444-63121,, "COVER
ASSY",,1,1,,,R,,,,,72444401,M/#36859,72444401,M/#36859,,,,,,,,,I
12,1,,172519-63240,, "BOLT 8X 16",4,4,4,,,,,,,,,,,,,
13,1,,172519-63240,, "BOLT 8X 16",4,4,4,,,,,,,,,,,,,
14,1,,172519-63240,, "BOLT 8X 16",3,3,3,,,,,,,,,,,,,
15,1,,172444-62280,, "MAT B(P.T.O.",1,1,,,,,,,,,,,,,
16,1,,172490-62100,, "STEP ASSY,EV C",,1,,,,,,,,,,,,,I
18,2,,172444-62150,, "SEAL,STEP",,1,,,,,,,,,,,,,I
20,1,,172490-62170,, "FLOORMAT A, CAB",,1,,,,,,,,,,,,,I
21,1,,172445-62520,, "MAT B",,1,,,,,,,,,,,,,I
22,1,,172490-69400,, "PLATE ASSY,STEP",,1,,,,,,,,,,,,,I
23,1,,26013-100202,, "BOLT W/WASHER M10X20",,2,,,,,,,,,,,,,I

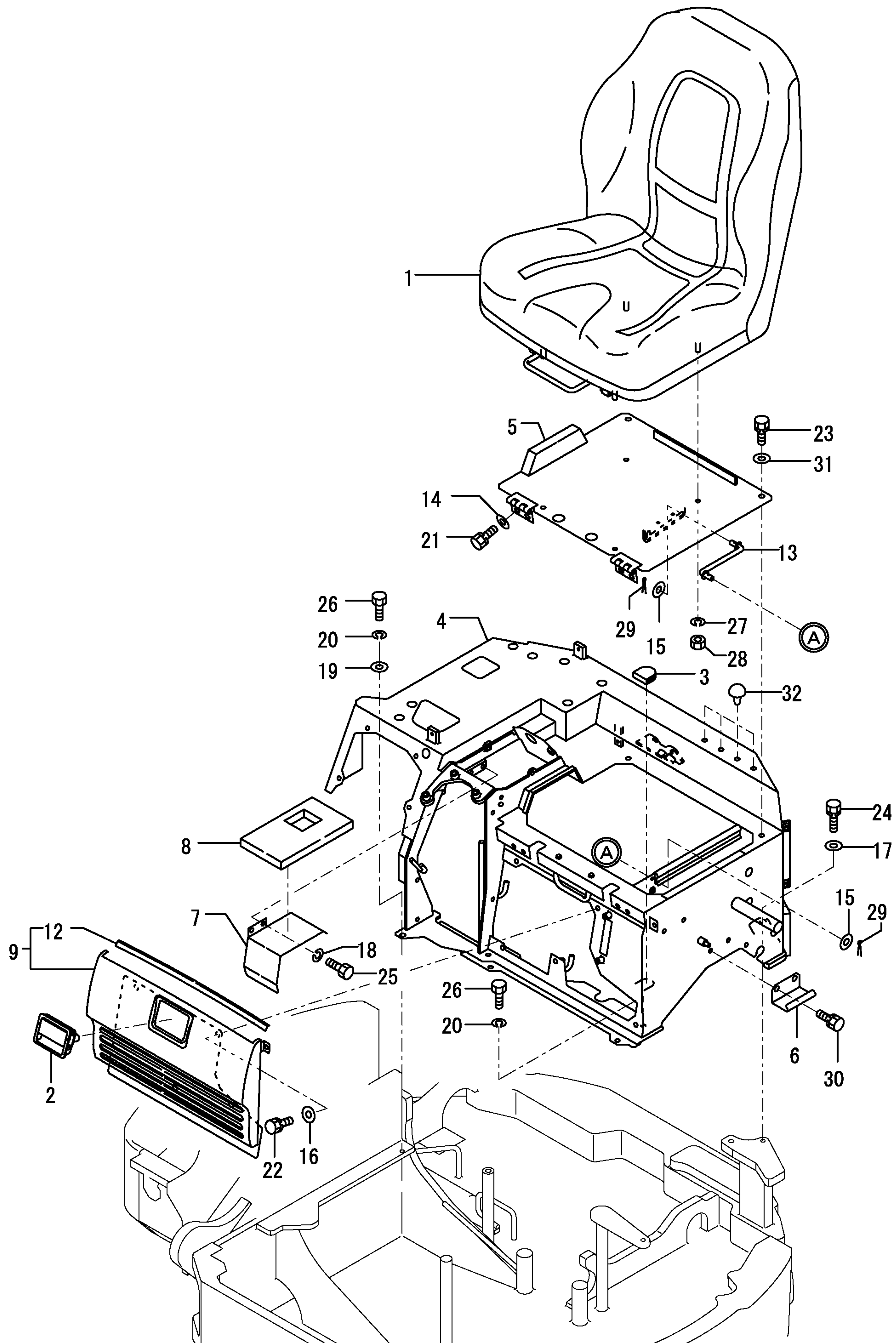
```



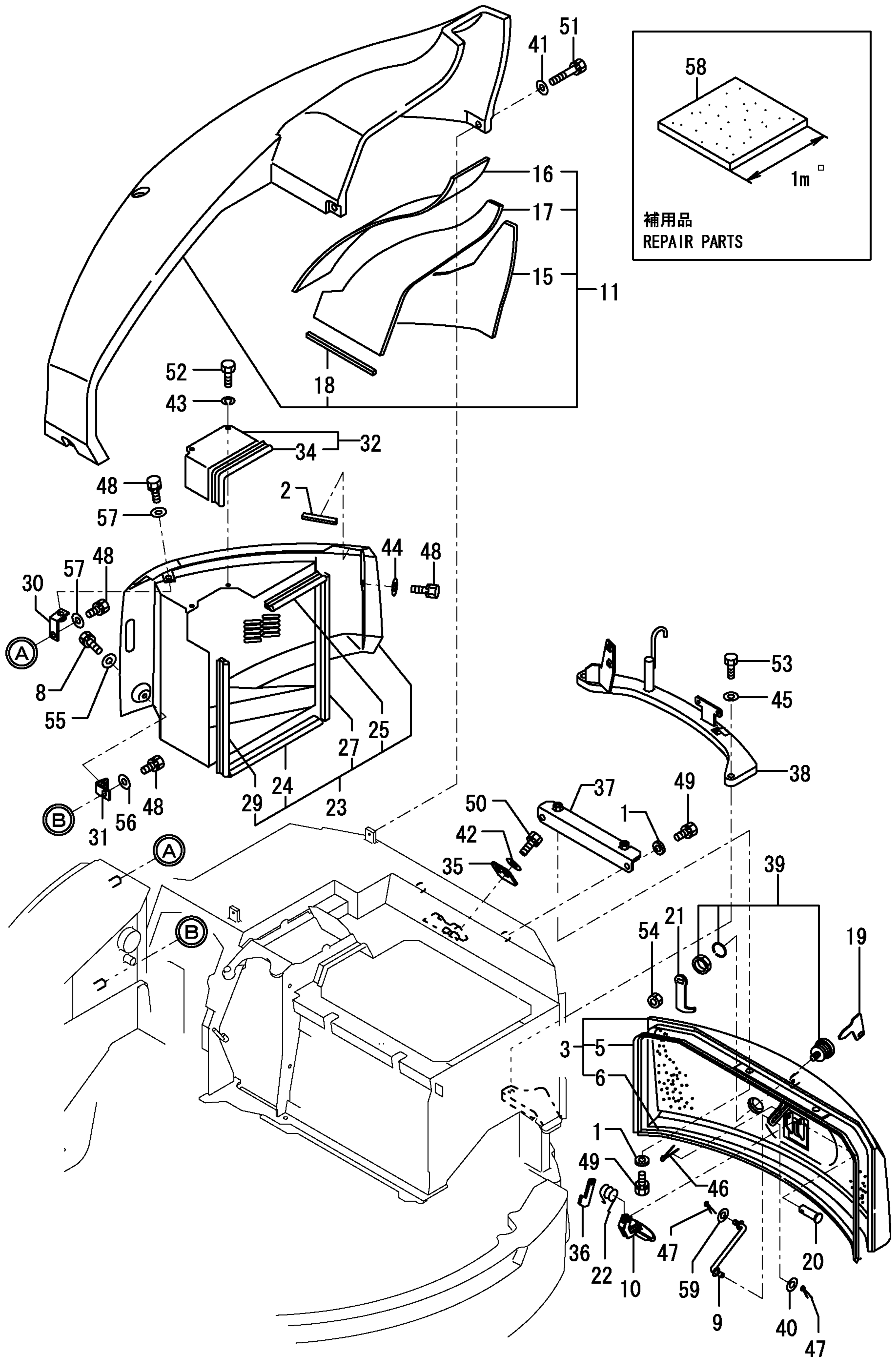


1,1,,172422-64200,,SEAT,1,,,,,,,,,,,,,  
1-1,1,,172422-64201,,SEAT,1,1,,,,,N,,72445260,M/#30987,,,,,,,,,  
1-2,1,,172455-64200,, "SEAT, OPERATOR",1,1,,,,,R,,,,72444374,M/#36637,,,,,,,,,I  
2,1,,172187-61420,, "HANDLE, LOCK",1,,,,,,,,,,,,,  
2-1,1,,172187-61421,, "HANDLE, LOCK",1,1,1,,,,,N,,72187632,M/#30820,,,,,,,,,  
3,1,,172165-62830,,GROMMET,1,1,1,,,,,,,,,,,,,  
4,1,,172444-64190,, "MOUNT (GRAY:73)",1,1,1,,,,,,,,,,,,,  
5,1,,172444-64550,, "PLATE (GRAY:73)",1,1,1,,,,,,,,,,,,,  
6,1,,172444-64610,,PLATE,1,1,1,,,,,,,,,,,,,  
7,1,,172444-64630,,COVER,1,1,1,,,,,,,,,,,,,  
8,1,,172444-64790,, "SEAL,SEAL MOUNT",1,1,1,,,,,,,,,,,,,  
9,1,,172444-64801,, "GRILL ASSY (GRAY:73)",1,1,1,,,,,,,,,,,,,  
12,2,,172444-64820,, "RUBBER 460",1,1,1,,,,,,,,,,,,,  
13,1,,172444-65190,, "ROD,STOPPER",1,1,1,,,,,,,,,,,,,  
14,1,,22137-080000,, "WASHER 8, POLISHED",4,4,4,,,,,,,,,,,,,  
15,1,,22137-080000,, "WASHER 8, POLISHED",2,2,2,,,,,,,,,,,,,  
16,1,,22137-100000,, "WASHER 10,POLISHED",4,4,4,,,,,,,,,,,,,  
17,1,,22137-100000,, "WASHER 10,POLISHED",1,1,1,,,,,,,,,,,,,  
18,1,,22217-080000,, "SPRING WASHER 8",2,2,2,,,,,,,,,,,,,  
19,1,,22157-100000,, "WASHER 10",1,1,1,,,,,,,,,,,,,  
20,1,,22217-100000,, "SPRING WASHER 10",3,3,3,,,,,,,,,,,,,  
21,1,,26013-080202,, "BOLT W/WASHER M8X20",4,4,4,,,,,,,,,,,,,  
22,1,,26013-100202,, "BOLT W/WASHER M10X20",4,4,4,,,,,,,,,,,,,  
22-1,1,,26013-100162,, "BOLT M10X 16",4,4,4,,,,,N,,72444343,M/#30820,,,,,,,,,  
23,1,,26013-100202,, "BOLT W/WASHER M10X20",2,2,2,,,,,,,,,,,,,  
24,1,,26013-100302,, "BOLT M10X 30",1,1,1,,,,,,,,,,,,,  
25,1,,26116-080162,, "BOLT 8X16",2,2,2,,,,,,,,,,,,,  
26,1,,26116-100202,, "BOLT M10X 20 PLATED",3,3,3,,,,,,,,,,,,,  
27,1,,22217-080000,, "SPRING WASHER 8",4,4,4,,,,,,,,,,,,,  
28,1,,26716-080002,, "NUT M 8",4,4,4,,,,,,,,,,,,,  
29,1,,22417-200200,, "COTTER PIN 2.0X20",2,2,2,,,,,,,,,,,,,  
30,1,,26013-100202,, "BOLT W/WASHER M10X20",2,2,2,,,,,,,,,,,,,  
31,1,,22157-100000,, "WASHER 10",2,2,2,,,,,,,,,,,,,  
32,1,,172444-68650,,CLIP,,4,4,,,,,W,,,,72444374,M/#36637,,,,,,,,,I





1,1,,172112-42090,, "WASHER, STOPPER",4,4,4,,,,,,,,,,,,,  
1-1,1,,172112-42090,, "WASHER,  
STOPPER",,2,2,,,K,,,,,72490011,M/#36859,72490011,M/#36859,,,,,,,,,I  
2,1,,172183-61360,, "RUBBER,EDGE",1,1,1,,,,,,,,,,,,,  
3,1,,172444-65100,, "BONNET A (GREEN:96)",1,1,1,,,,,,,,,,,,,  
5,2,,172444-65600,, "SEAL A",1,1,1,,,,,,,,,,,,,  
6,2,,172444-65610,, "SEAL B",1,1,1,,,,,,,,,,,,,  
8,1,,26013-080202,, "BOLT W/WASHER M8X20",1,1,1,,,,,,,,,,,,,  
9,1,,172444-65190,, "ROD,STOPPER",1,1,1,,,,,,,,,,,,,  
10,1,,172187-65210,, "LEVER ASSY, LOCK",1,1,1,,,,,,,,,,,,,  
11,1,,172444-65210,, "BONNET B (GREEN:97)",1,1,1,,,,,,,,,,,,,  
15,2,,172444-65630,, "GRASS WOOL,A",1,1,1,,,W,,72444147,M/#30501,,,,,,,,,  
16,2,,172444-65640,, "GRASS WOOL,B",1,1,1,,,W,,72444147,M/#30501,,,,,,,,,  
17,2,,172444-65690,, "GRASS WOOL,C",1,1,1,,,W,,72444147,M/#30501,,,,,,,,,  
18,2,,172444-65700,, "SEAL,BONNET B",1,1,1,,,W,,72444147,M/#30501,,,,,,,,,  
19,1,,933110-00301,, "KEY ASSY",1,1,1,,,,,,,,,,,,,  
20,1,,172734-65260,, "PIN, BONNET LEVER",1,1,1,,,,,,,,,,,,,  
21,1,,172444-65270,, "ROCK PLATE",1,1,1,,,,,,,,,,,,,  
22,1,,172734-65270,, "SPRING, CATCH",1,1,1,,,,,,,,,,,,,  
23,1,,172444-65300,, "BONNET R (GREEN:96)",1,1,1,,,,,,,,,,,,,  
24,2,,172162-15310,, "SEAL",1,1,1,,,,,,,,,,,,,  
25,2,,172164-61250,, "RUBBER, SEAL",1,1,1,,,,,,,,,,,,,  
27,2,,172444-65450,, "SEAL,DUCT",1,1,1,,,,,,,,,,,,,  
29,2,,172444-65680,, "SEAL 320",1,1,1,,,,,,,,,,,,,  
30,1,,172444-65410,, "BRACKET A (GREEN:96)",1,1,1,,,,,,,,,,,,,  
31,1,,172444-65430,, "BRACKET B (GREEN:96)",1,1,1,,,,,,,,,,,,,  
32,1,,172444-65460,, "COVER,DUCT(GREEN:96)",1,1,1,,,,,,,,,,,,,  
34,2,,172168-65790,, "RUBBER",1,1,1,,,,,,,,,,,,,  
35,1,,172444-65470,, "PLATE",1,1,1,,,,,,,,,,,,,  
36,1,,172124-65480,, "CATCHER",1,1,1,,,,,,,,,,,,,  
37,1,,172444-65480,, "BRACKET",1,1,1,,,,,,,,,,,,,  
38,1,,172444-65540,, "PLATE,BONNET (73)",1,1,,,,,,,,,,,,,  
38-1,1,,172444-65541,, "PLATE ASSY,  
BONNET",,1,1,,,N,,,,,72490004,M/#36837,,,,,,,,,I  
39,1,,172164-66170,, "KEY ASSY, CYLINDER",,1,,,,,,,,,,,,,  
40,1,,22117-080000,, "WASHER 8",2,2,,,,,,,,,,,,,  
40-1,1,,1A1380-62160,, "WASHER",,1,1,,,N,,,,,72458487,M/#36825,,,,,,,,,I  
41,1,,22137-080000,, "WASHER 8, POLISHED",4,4,4,,,,,,,,,,,,,  
42,1,,22137-100000,, "WASHER 10,POLISHED",2,2,2,,,,,,,,,,,,,  
43,1,,22217-080000,, "SPRING WASHER 8",2,2,2,,,,,,,,,,,,,  
44,1,,22157-100000,, "WASHER 10",2,2,2,,,,,,,,,,,,,  
45,1,,22217-140000,, "SPRING WASHER 14",2,2,2,,,,,,,,,,,,,  
46,1,,22417-200200,, "COTTER PIN 2.0X20",1,1,1,,,,,,,,,,,,,  
47,1,,22417-200200,, "COTTER PIN 2.0X20",2,2,2,,,,,,,,,,,,,  
48,1,,26013-100252,, "BOLT W/WASHER M10X25",5,5,5,,,,,,,,,,,,,  
49,1,,26013-100252,, "BOLT W/WASHER M10X25",4,4,4,,,,,,,,,,,,,  
50,1,,26013-100252,, "BOLT W/WASHER M10X25",2,2,2,,,,,,,,,,,,,  
51,1,,26013-080402,, "BOLT M 8X 40",4,4,4,,,,,,,,,,,,,  
52,1,,26116-080162,, "BOLT 8X16",2,2,2,,,,,,,,,,,,,  
53,1,,26116-140402,, "BOLT M14X 40 PLATED",2,2,2,,,,,,,,,,,,,  
54,1,,26347-100002,, "U-NUT 10",1,1,1,,,,,,,,,,,,,  
55,1,,22137-080000,, "WASHER 8, POLISHED",4,4,4,,,,,,,,,,,,,  
56,1,,22137-100000,, "WASHER 10,POLISHED",1,1,1,,,,,,,,,,,,,  
57,1,,22137-100000,, "WASHER 10,POLISHED",2,2,2,,,,,,,,,,,,,  
58,1,,933171-20390,, "LIGHT, EVER",1,1,1,,,1,,,,,,,,,,,,,  
59,1,,22137-080000,, "WASHER 8, POLISHED",,1,1,,,W,,,,,72458487,M/#36825,,,,,,,,,



1,1,,26116-140402,, "BOLT M14X 40 PLATED" ,,,6,,,,,,,,,,,,,I  
2,1,,172490-68000,, "CABIN ASSY" ,,,1,,,,,,,,,,,,,I  
3,2,,172490-68100,, "FRAME ASSY,CABIN" ,,,1,,,,,,,,,724900043,,,,,,,,,I  
4,1,,22137-120000,, "WASHER 12,POLISHED" ,,,1,,,,,,,,,,,,,I  
5,1,,22157-100000,, "WASHER 10" ,,,1,,,,,,,,,,,,,I  
6,1,,22217-140000,, "SPRING WASHER 14" ,,,6,,,,,,,,,,,,,I  
7,1,,26013-100202,, "BOLT W/WASHER M10X20" ,,,1,,,,,,,,,,,,,I  
8,1,,26013-120352,, "BOLT M12X 35" ,,,1,,,,,,,,,,,,,I



キャビンASSY

CABIN ASSY

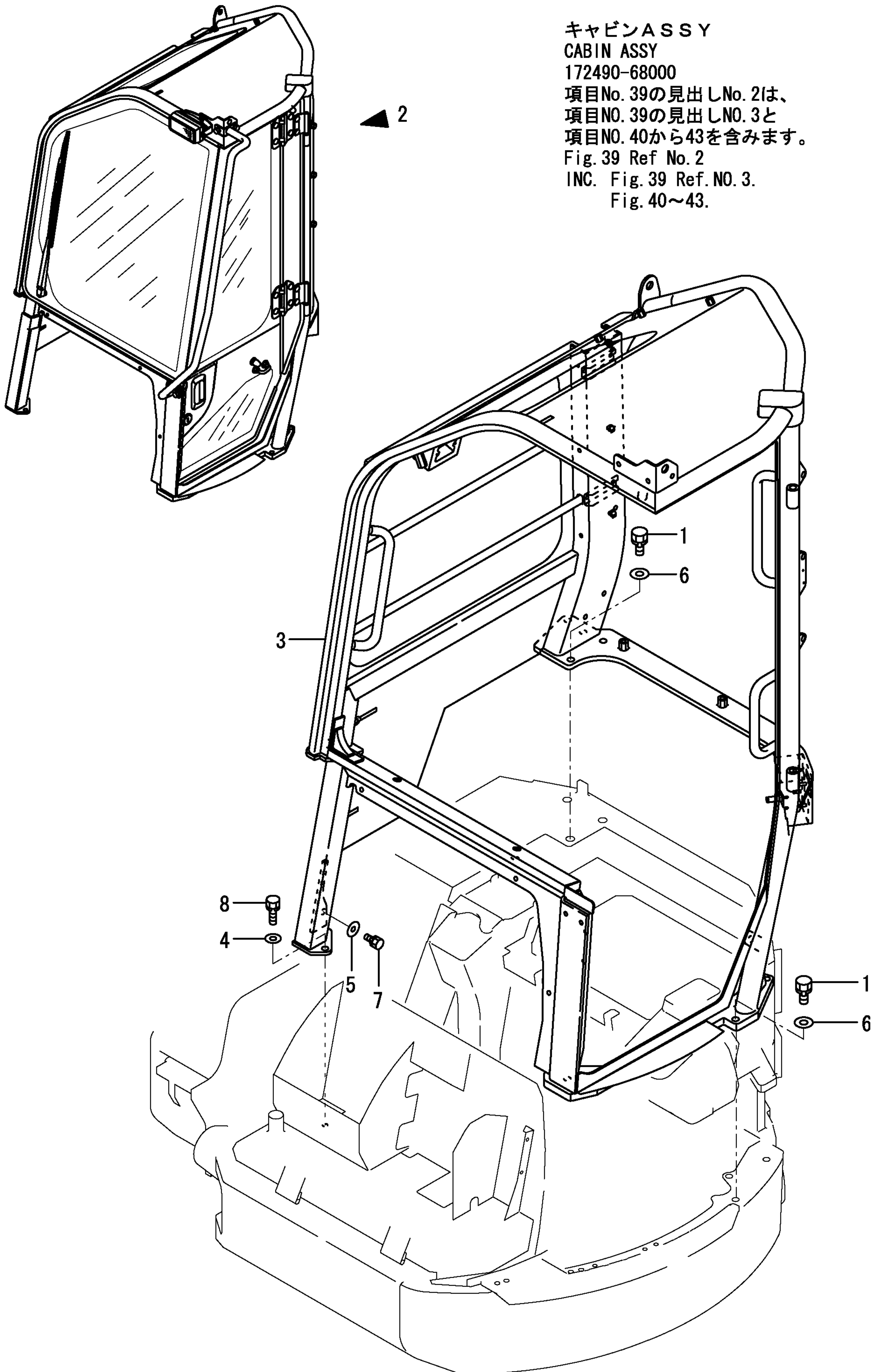
172490-68000

項目No. 39の見出しNo. 2は、  
項目NO. 39の見出しNO. 3と  
項目NO. 40から43を含みます。

Fig. 39 Ref No. 2

INC. Fig. 39 Ref. NO. 3.

Fig. 40~43.



1,2,,172490-68020,, "WINDOW ASSY, FRONT",,,1,,,,,,,,,,,,,I  
2,3,,172458-17210,, "WIPER MOTOR",,,1,,,,,,,,,,,,,I  
3,3,,172458-17220,, "WIPER ARM",,,1,,,,,,,,,,,,,I  
4,3,,172458-17230,, "WIPER BLADE",,,1,,,,,,,,,,,,,I  
5,3,,172455-61720,, "BOLT M 10X20",,,4,,,,,,,,,,,,,I  
6,3,,172519-63240,, "BOLT 8X 16",,,2,,,,,,,,,,,,,I  
7,3,,172490-69300,, "FRAME ASSY,FW (49)",,,1,,,,,,,,,,,,,I  
8,3,,172455-69490,, "COVER WIPER-MOTOR",,,1,,,,,,,,,,,,,I  
9,3,,172490-69610,, "GLASS,FW",,,1,,,,,,,,,,,,,I  
10,3,,172490-69920,, "SEAL, RUBBER 2500",,,1,,,,,,,,,,,,,I  
11,3,,172490-69940,, "SEAL, RUBBER 1030",,,1,,,,,,,,,,,,,I  
12,3,,22137-100000,, "WASHER 10,POLISHED",,,4,,,,,,,,,,,,,I  
13,3,,172490-69530,, "DAM SEAL 100",,,4,,,,,,,,,,,,,I

キャビンASSY

CABIN ASSY

172490-68000

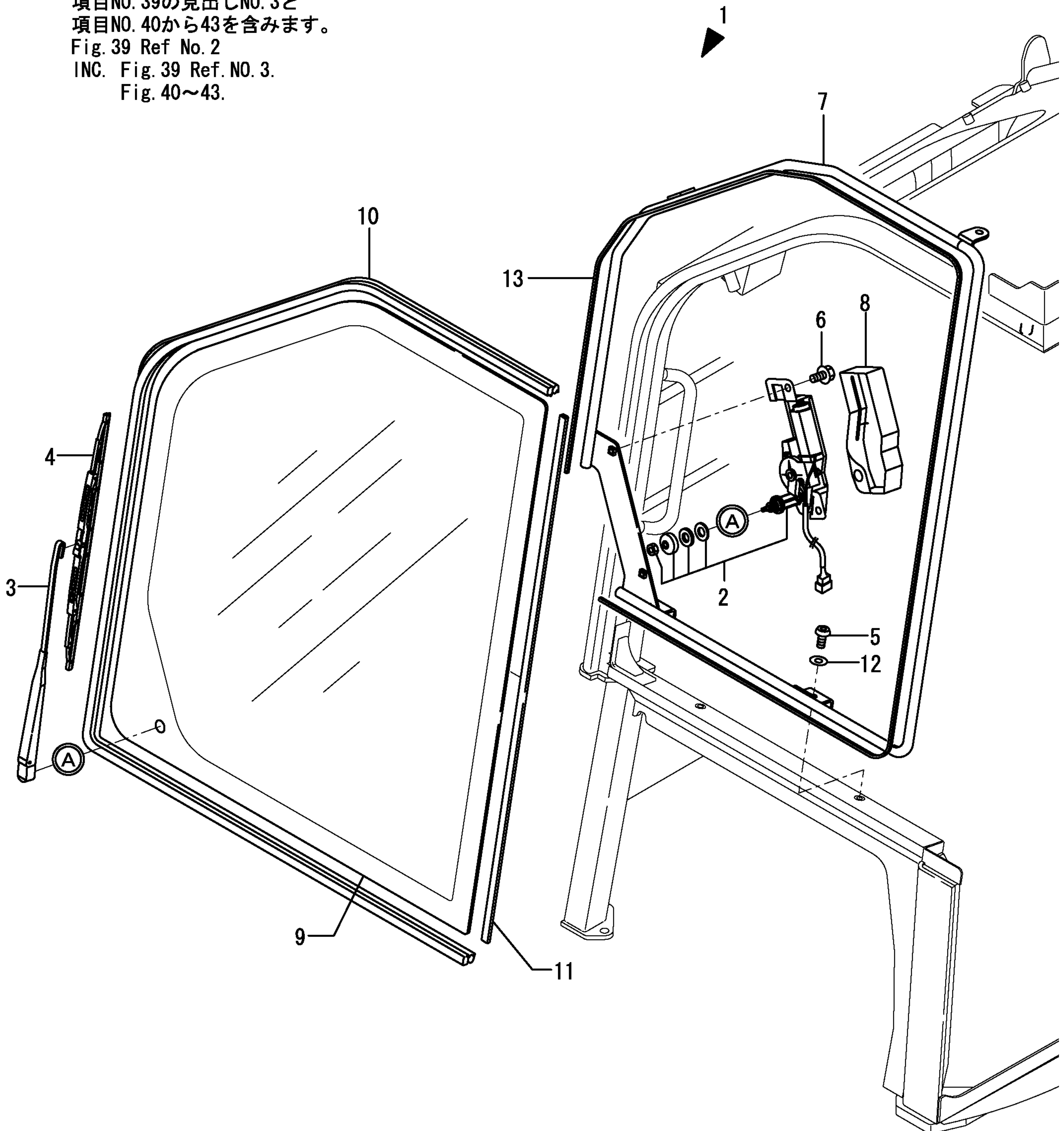
項目No. 39の見出しNo. 2は、  
項目NO. 39の見出しNO. 3と  
項目NO. 40から43を含みます。

Fig. 39 Ref No. 2

INC. Fig. 39 Ref. NO. 3.

Fig. 40~43.

見出しNo. 1は、  
見出しNo. 2から13を含みます。  
1 INC. 2~13.





1,2,,172490-68030,, "WINDOW ASSY" ,,,1,,,,,,,,,,,,,,,,,,,,,I  
2,3,,172164-19210,, "RUBBER SEAL" ,,,1,,,,,,,,,,,,,,,,,,,,,I  
3,3,,172458-46790,, "SEAL,LEVER STAND" ,,,1,,,,,,,,,,,,,,,,,,,,,I  
4,3,,172164-65740,, "RUBBER, SEAL E" ,,,2,,,,,,,,,,,,,,,,,,,,,I  
5,3,,172146-68430,, "SPACER" ,,,5,,,,,,,,,,,,,,,,,,,,,I  
6,3,,172445-68840,, "COLLAR 11X26X2.3" ,,,4,,,,,,,,,,,,,,,,,,,,,I  
7,3,,172445-68950,, "BOLT 10X 30" ,,,5,,,,,,,,,,,,,,,,,,,,,I  
8,3,,172490-69480,, "PLATE A,R WIND" ,,,1,,,,,,,,,,,,,,,,,,,,,I  
9,3,,172490-69490,, "SOUND SHIELD" ,,,1,,,,,,,,,,,,,,,,,,,,,I  
10,3,,172490-69510,, "PLATE B, R.WIND" ,,,1,,,,,,,,,,,,,,,,,,,,,I  
11,3,,172490-69640,, "ROOF,WINDOW" ,,,1,,,,,,,,,,,,,,,,,,,,,I  
12,3,,172490-69650,, "SASH ASSY" ,,,1,,,,,,,,,,,,,,,,,,,,,I  
13,4,,172455-67770,, "LOCK ASSY, SASH" ,,,2,,,,,,,,,,,,,,,,,,,,,I  
14,4,,172490-69660,, "GLASS,SASH REAR" ,,,1,,,,,,,,,,,,,,,,,,,,,I  
15,4,,172490-69670,, "GLASS,SASH FRONT" ,,,1,,,,,,,,,,,,,,,,,,,,,I  
16,4,,172490-69680,, "FRAME,SASH" ,,,1,,,,,,,,,,,,,,,,,,,,,I  
17,3,,172490-69750,, "REAR WINDOW" ,,,1,,,,,,,,,,,,,,,,,,,,,I  
18,3,,172490-69760,, "COLLAR 16X2.5X13" ,,,3,,,,,,,,,,,,,,,,,,,,,I  
19,3,,172490-69850,, "PLATE,REAR WINDOW" ,,,1,,,,,,,,,,,,,,,,,,,,,I  
20,3,,172490-69950,, "SEAL, RUBBER 1630" ,,,1,,,,,,,,,,,,,,,,,,,,,I  
21,3,,172490-69980,, "SEAL, RUBBER 850" ,,,2,,,,,,,,,,,,,,,,,,,,,I  
22,3,,22157-100000,, "WASHER 10" ,,,10,,,,,,,,,,,,,,,,,,,,,I  
23,3,,26013-100202,, "BOLT W/WASHER M10X20" ,,,2,,,,,,,,,,,,,,,,,,,,,I  
24,3,,26106-100352,, "BOLT M10X 35 PLATED" ,,,3,,,,,,,,,,,,,,,,,,,,,I  
25,3,,26716-100002,, "NUT 10" ,,,4,,,,,,,,,,,,,,,,,,,,,I  
26,3,,29311-164000,, "GROMMET" ,,,4,,,,,,,,,,,,,,,,,,,,,I  
27,3,,172490-69540,, "DAM SEAL 1000" ,,,8,,,,,,,,,,,,,,,,,,,,,I

キャビンASSY  
CABIN ASSY

172490-68000

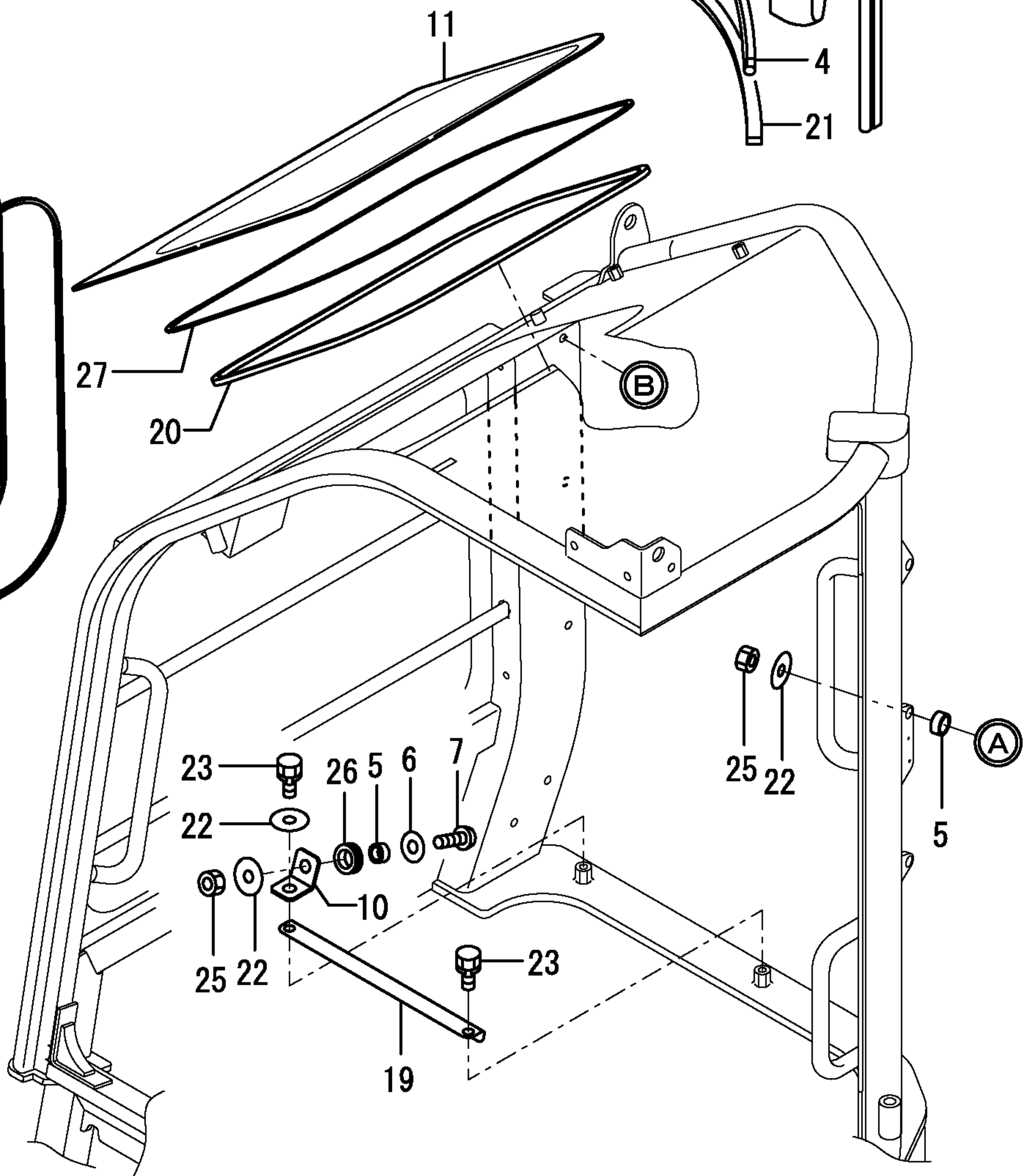
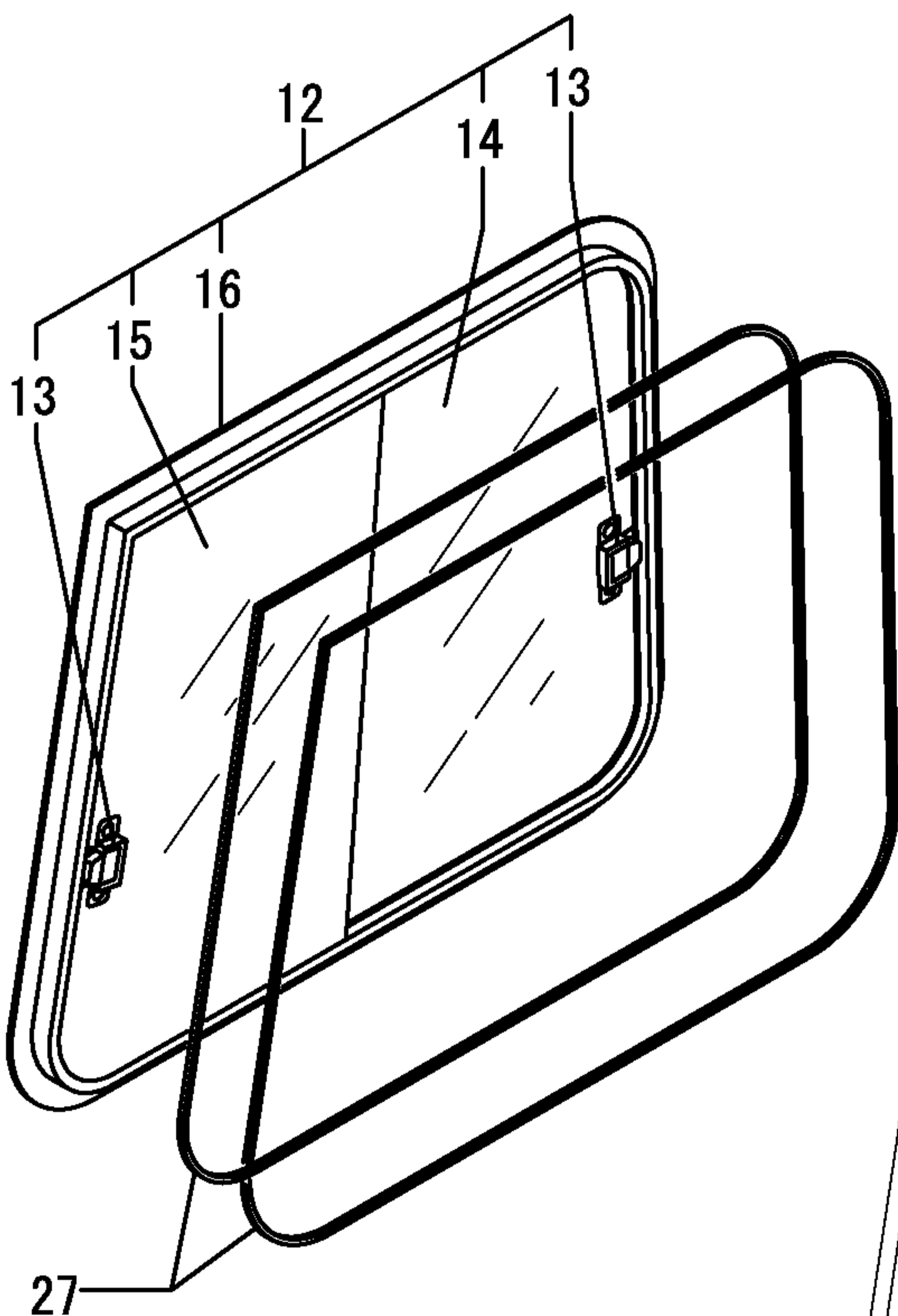
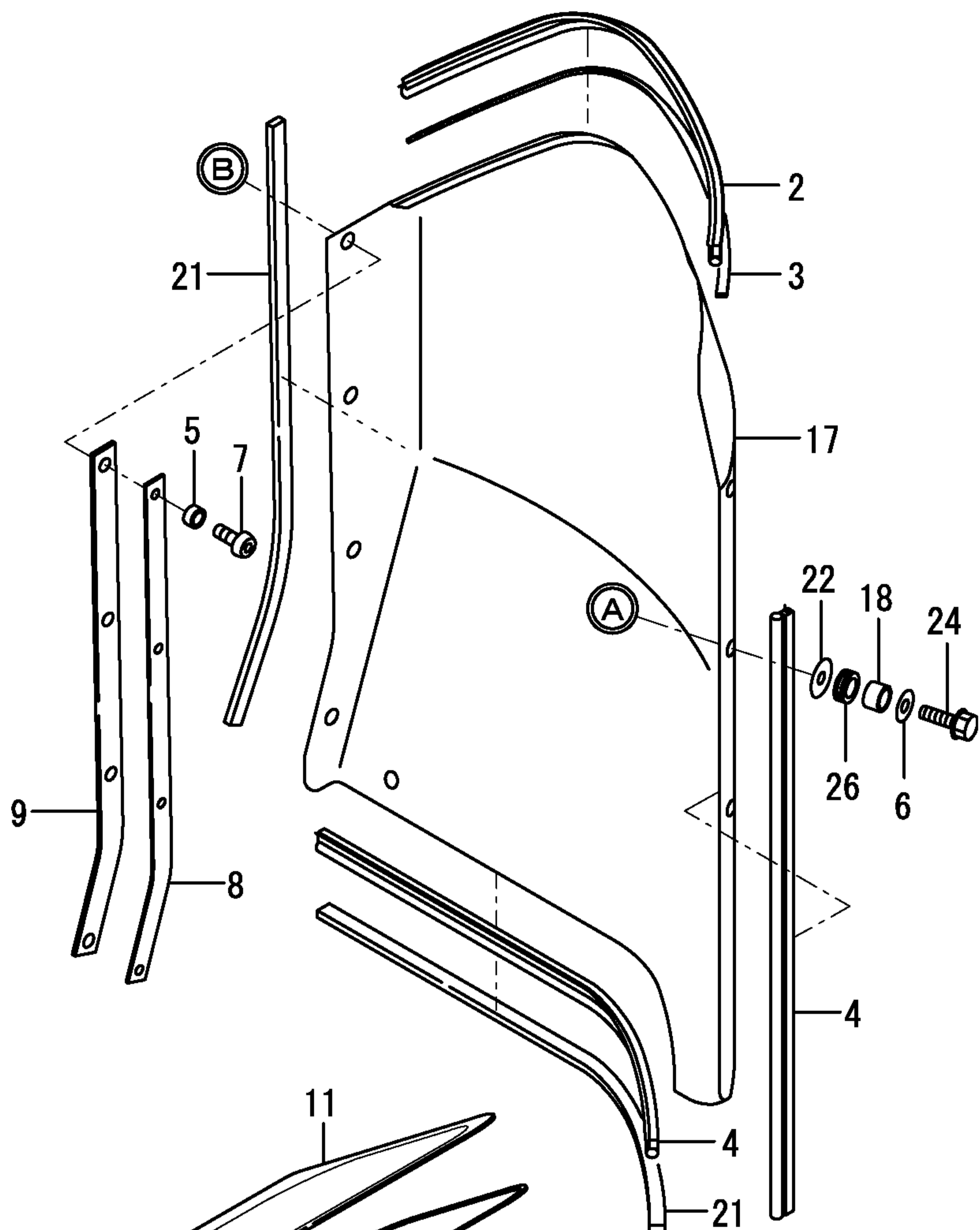
項目NO. 39の見出しNo. 2は、  
項目NO. 39の見出しNO. 3と  
項目NO. 40から43を含みます。

Fig. 39 Ref No. 2

INC. Fig. 39 Ref. NO. 3.

Fig. 40~43.

見出しNo. 1は、  
見出しNo. 2から27を含みます。  
1 INC. 2~27.



1,2,,172490-68010,, "DOOR ASSY",,,1,,,,,,,,,,,,,,,,,,,,,I  
2,3,,172164-66170,, "KEY ASSY, CYLINDER",,,1,,,,,,,,,,,,,,,,,,,,,I  
7,3,,172458-66800,, "TORQUES 6X16",,,6,,,,,,,,,,,,,,,,,,,,,I  
8,3,,172458-67940,, PLATE,,1,,,,,,,,,,,,,,,,,,,,,I  
9,3,,172490-69030,, "FRAME ASSY,DOOR",,,1,,,,,,,,,,,,,,,,,,,,,I  
10,3,,172455-69140,, NUT,,8,,,,,,,,,,,,,,,,,,,,,I  
11,3,,172490-69160,, "DOOR ASSY,REAR",,,1,,,,,,,,,,,,,,,,,,,,,I  
12,3,,172455-69170,, "COVER-DOOR IN",,,1,,,,,,,,,,,,,,,,,,,,,I  
13,3,,172490-69180,, "HINGE ASSY,DOOR",,,1,,,,,,,,,,,,,,,,,,,,,I  
14,3,,172165-69190,, RUBBER,,2,,,,,,,,,,,,,,,,,,,,,I  
15,3,,172455-69200,, TUBE,,4,,,,,,,,,,,,,,,,,,,,,I  
16,3,,172490-69210,, "HINGE B ASSY,DOOR",,,1,,,,,,,,,,,,,,,,,,,,,I  
17,3,,172455-69250,, PIPE,,8,,,,,,,,,,,,,,,,,,,,,I  
18,3,,172445-69320,, NUT,,4,,,,,,,,,,,,,,,,,,,,,I  
19,3,,172445-69400,, ROD,,1,,,,,,,,,,,,,,,,,,,,,I  
20,3,,172445-69420,, "DOOR HOOK",,,1,,,,,,,,,,,,,,,,,,,,,I  
21,3,,172162-69470,, "LOCK PLATE",,,1,,,,,,,,,,,,,,,,,,,,,I  
22,3,,172162-69480,, "LOCK ASSY",,,1,,,,,,,,,,,,,,,,,,,,,I  
23,3,,172162-69490,, PIN,,1,,,,,,,,,,,,,,,,,,,,,I  
24,3,,172162-69500,, SPRING,,1,,,,,,,,,,,,,,,,,,,,,I  
25,3,,172162-69510,, "HANDLE ASSY",,,1,,,,,,,,,,,,,,,,,,,,,I  
26,3,,172162-69520,, COVER,,1,,,,,,,,,,,,,,,,,,,,,I  
27,3,,172162-69541,, "HANDLE,OUTER",,,1,,,,,,,,,,,,,,,,,,,,,I  
28,3,,172490-69620,, "GLASS, DOOR UP",,,1,,,,,,,,,,,,,,,,,,,,,I  
29,3,,172490-69630,, "GLASS,LOW",,,1,,,,,,,,,,,,,,,,,,,,,I  
30,3,,172458-69760,, "GUIDE, STOPPER",,,1,,,,,,,,,,,,,,,,,,,,,I  
31,3,,172458-69770,, HINGE,,2,,,,,,,,,,,,,,,,,,,,,I  
32,3,,172490-69790,, "RUBBER COVER, DORE",,,1,,,,,,,,,,,,,,,,,,,,,I  
33,3,,172490-69820,, "PLATE,A COVER",,,1,,,,,,,,,,,,,,,,,,,,,I  
34,3,,172490-69830,, "PLATE,B COVER",,,1,,,,,,,,,,,,,,,,,,,,,I  
35,3,,172490-69920,, "SEAL, RUBBER 2500",,,1,,,,,,,,,,,,,,,,,,,,,I  
36,3,,172490-69930,, "SEAL, RUBBER 1370",,,1,,,,,,,,,,,,,,,,,,,,,I  
37,3,,172458-69960,, GASKET,,4,,,,,,,,,,,,,,,,,,,,,I  
38,3,,172490-69960,, "SEAL, RUBBER 1350",,,1,,,,,,,,,,,,,,,,,,,,,I  
39,3,,22137-080000,, "WASHER 8, POLISHED",,,2,,,,,,,,,,,,,,,,,,,,,I  
40,3,,22137-080000,, "WASHER 8, POLISHED",,,1,,,,,,,,,,,,,,,,,,,,,I  
41,3,,22417-200160,, "COTTER PIN 2.0X16",,,2,,,,,,,,,,,,,,,,,,,,,I  
42,3,,26013-060162,, "BOLT M 6X 16",,,3,,,,,,,,,,,,,,,,,,,,,I  
43,3,,26014-080202,, "BOLT M 8X 20",,,1,,,,,,,,,,,,,,,,,,,,,I  
44,3,,26023-060122,, "SCREW M 6X 12",,,2,,,,,,,,,,,,,,,,,,,,,I  
45,3,,26023-060162,, "SCREW M 6X 16",,,4,,,,,,,,,,,,,,,,,,,,,I  
46,3,,26051-080002,, "NUT M 8",,,1,,,,,,,,,,,,,,,,,,,,,I  
47,3,,26116-080202,, "BOLT M 8X 20 PLATED",,,1,,,,,,,,,,,,,,,,,,,,,I  
48,3,,26116-080304,, "BOLT M8 X 30 PLATED",,,1,,,,,,,,,,,,,,,,,,,,,I  
49,3,,26557-060162,, "SCREW M 6X 16",,,3,,,,,,,,,,,,,,,,,,,,,I  
50,3,,26716-080002,, "NUT M 8",,,1,,,,,,,,,,,,,,,,,,,,,I  
51,3,,26716-100002,, "NUT 10",,,1,,,,,,,,,,,,,,,,,,,,,I  
52,3,,26716-100002,, "NUT 10",,,2,,,,,,,,,,,,,,,,,,,,,I  
53,3,,26716-100002,, "NUT 10",,,4,,,,,,,,,,,,,,,,,,,,,I  
54,3,,172490-69540,, "DAM SEAL 1000",,,10,,,,,,,,,,,,,,,,,,,,,I

キャビンASSY

CABIN ASSY

172490-68000

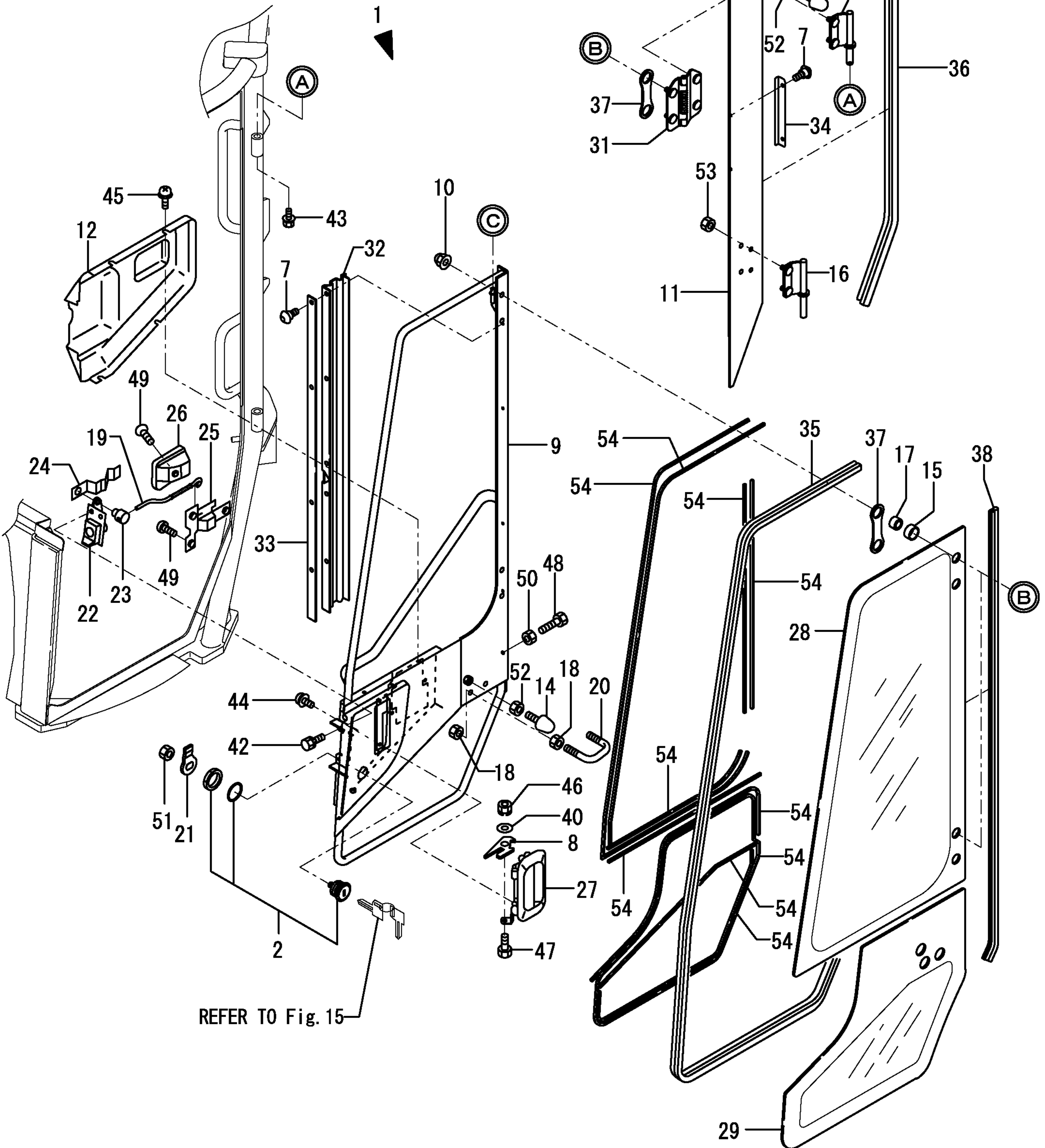
項目No. 39の見出しNo. 2は、  
項目NO. 39の見出しNO. 3と  
項目NO. 40から43を含みます。

Fig. 39 Ref No. 2

INC. Fig. 39 Ref. NO. 3.

Fig. 40~43.

見出しNo. 1は、  
見出しNo. 2から54を含みます。  
1 INC. 2~54.



1,2,,172490-68040,, "ACCESSORY ASSY",,,1,,,,,,,,,,,,,I  
2,3,,172490-16580,, "WIRE HARNESS A,CAB",,,1,,,,,,,,,,,,,I  
3,3,,172490-16590,, "HARNESS,WORK LAMP",,,1,,,,,,,,,,,,,I  
4,3,,172455-18340,, "SEAL A",,,1,,,,,,,,,,,,,I  
5,3,,1E5100-51430,, "KNOB CLUTCH(RED",,,1,,,,,,,,,,,,,I  
6,3,,172157-54850,, "GROMMET 18",,,1,,,,,,,,,,,,,I  
7,3,,172519-61540,, "CUSHION A,BONNET",,,1,,,,,,,,,,,,,I  
8,3,,172455-61720,, "BOLT M 10X20",,,2,,,,,,,,,,,,,I  
9,3,,172458-63910,, "SPONGE SEAL",,,3,,,,,,,,,,,,,I  
10,3,,26716-080002,, "NUT M 8",,,4,,,,,,,,,,,,,I  
11,3,,172445-66541,, "HAMMER",,,1,,,,,,,,,,,,,I  
12,3,,172455-67400,, "STRIKER",,,1,,,,,,,,,,,,,I  
13,3,,172455-67970,, "WORKING LAMP",,,1,,,,,,,,,,,,,I  
14,4,,172458-17420,, "BULB,12V 55W",,,1,,,,,,,,,,,,,I  
15,3,,172444-68630,, "MAT A",,,1,,,,,,,,,,,,,I  
16,3,,172444-68640,, "MAT B",,,2,,,,,,,,,,,,,I  
17,3,,172162-69050,, "LOCK ASSY",,,1,,,,,,,,,,,,,I  
18,3,,172490-69430,, "GRIP ASSY",,,1,,,,,,,,,,,,,I  
19,3,,172490-69710,, "LEVER ASSY,DOOR",,,1,,,,,,,,,,,,,I  
20,3,,172490-69890,, "EV, ROOF",,,1,,,,,,,,,,,,,I  
21,3,,172490-69980,, "SEAL, RUBBER 850",,,1,,,,,,,,,,,,,I  
22,3,,172490-69990,, "SEAL, RUBBER RF",,,1,,,,,,,,,,,,,I  
23,3,,22117-120000,, "WASHER 12",,,2,,,,,,,,,,,,,I  
24,3,,22137-080000,, "WASHER 8, POLISHED",,,1,,,,,,,,,,,,,I  
25,3,,22137-100000,, "WASHER 10,POLISHED",,,2,,,,,,,,,,,,,I  
26,3,,22272-000100,, "CIRCLIP E-10",,,1,,,,,,,,,,,,,I  
27,3,,22857-200061,, "SCREW 2.0\* 6",,,1,,,,,,,,,,,,,I  
28,3,,22857-300061,, "SCREW M3X6,TAPPING",,,2,,,,,,,,,,,,,I  
29,3,,22857-400100,, "SCREW 4X10",,,2,,,,,,,,,,,,,I  
30,3,,24550-012200,, "BUSH 12X20",,,1,,,,,,,,,,,,,I  
31,3,,26116-080202,, "BOLT M 8X 20 PLATED",,,1,,,,,,,,,,,,,I  
32,3,,26366-080002,, "NUT M 8",,,1,,,,,,,,,,,,,I  
33,3,,933113-05150,, "LAMP, ROOM",,,1,,,,,,,,,,,,,I  
34,4,,933113-05160,, "BULB (12V5W)",,,1,,,,,,,,,,,,,I  
35,3,,22137-080000,, "WASHER 8, POLISHED",,,1,,,,,,,,,,,,,I  
36,3,,26013-100202,, "BOLT W/WASHER M10X20",,,2,,,,,,,,,,,,,I



キャビンASSY

CABIN ASSY

172490-68000

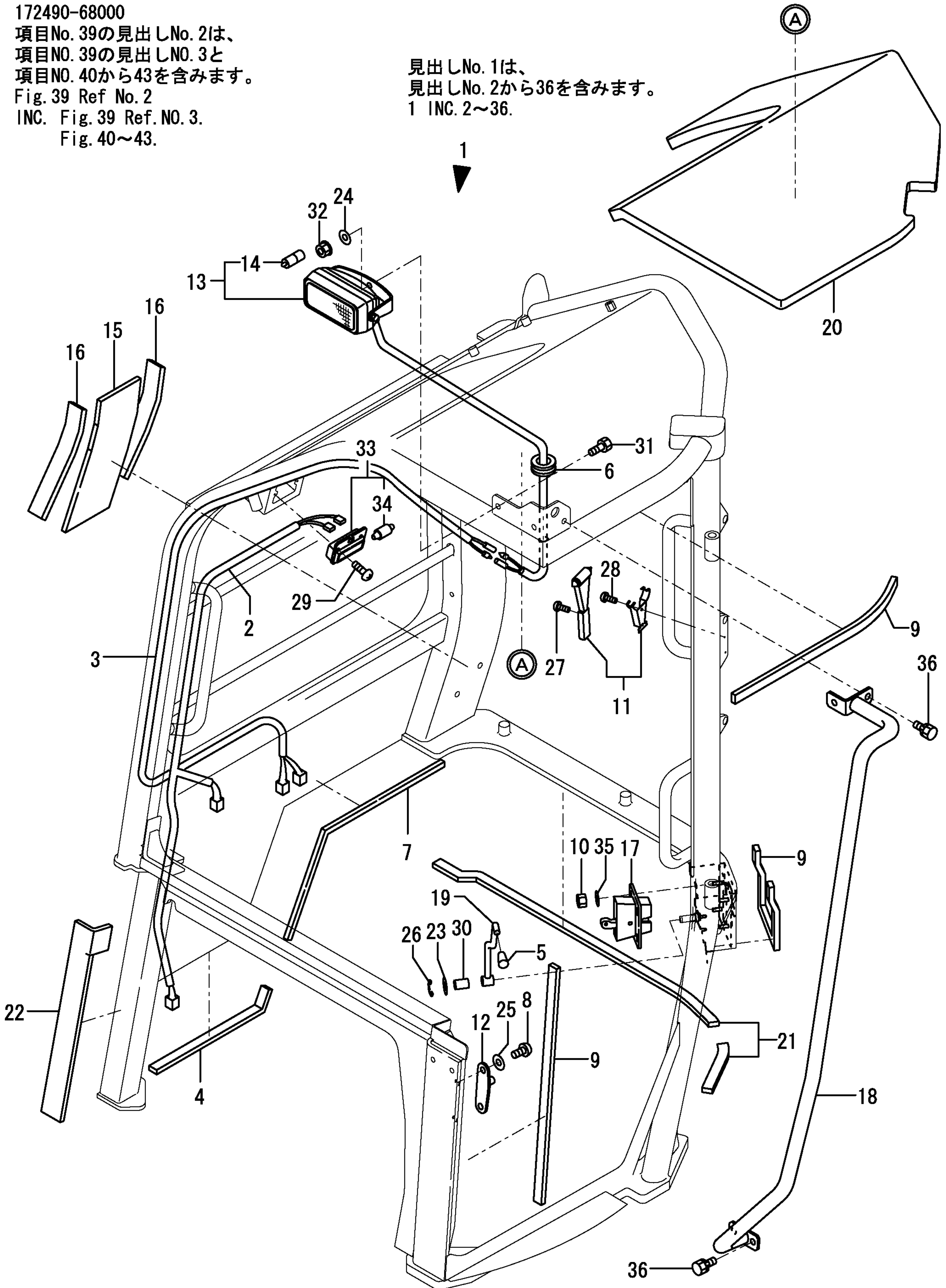
項目No. 39の見出しNo. 2は、  
項目NO. 39の見出しNO. 3と  
項目NO. 40から43を含みます。

Fig. 39 Ref No. 2

INC. Fig. 39 Ref. NO. 3.

Fig. 40~43.

見出しNo. 1は、  
見出しNo. 2から36を含みます。  
1 INC. 2~36.



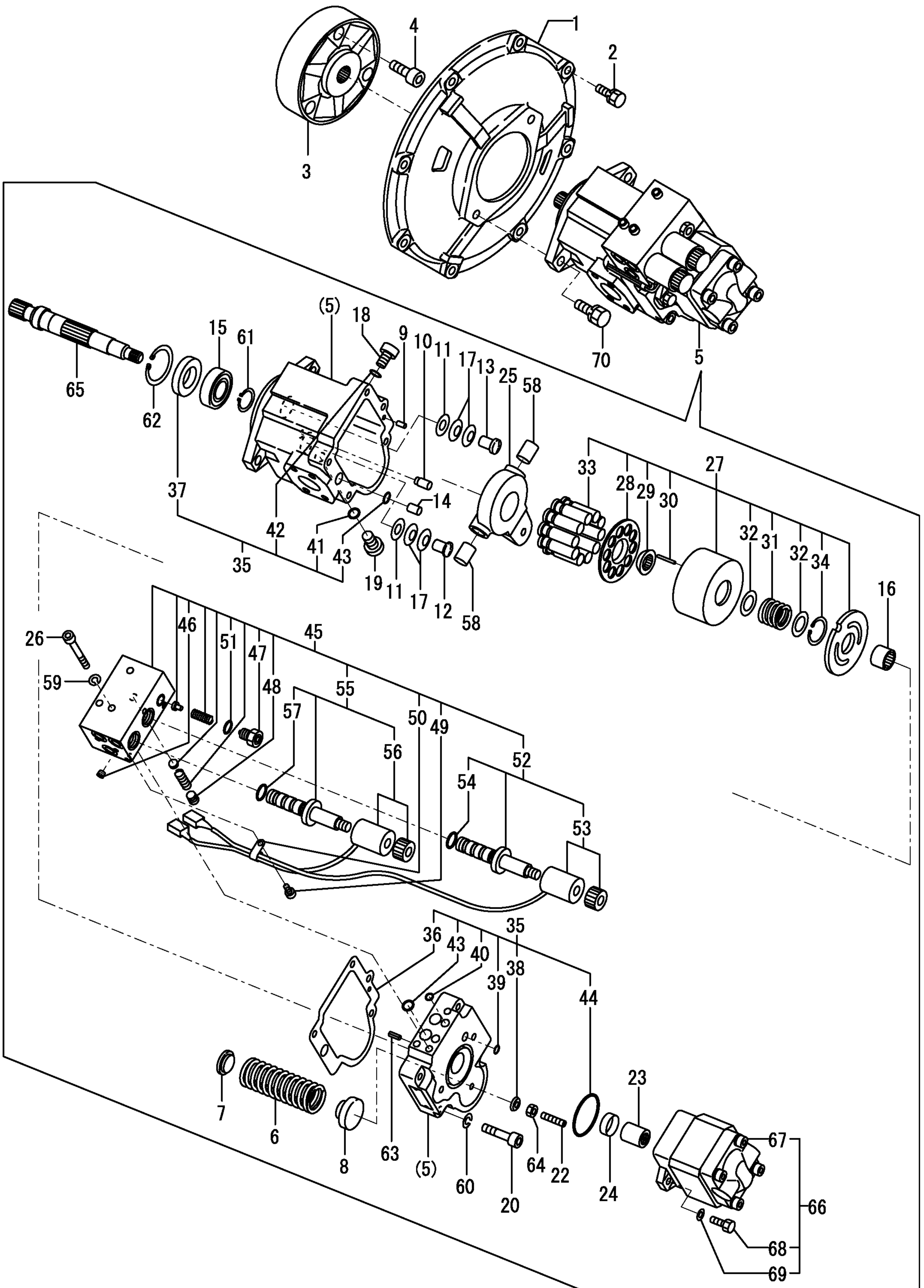
1,1,,172638-06720,, "RUBBER 350",1,,,,,,,,,,,,,,,,,,,,,  
1-1,1,,172519-61540,, "CUSHION A,BONNET",1,1,,,,,N,,72444286,M/#30621,,,,,,,,,,,,,  
2,1,,22137-120000,, "WASHER 12,POLISHED",1,1,,,,,,,,,,,,,,,,,,,,,  
3,1,,172168-46760,, "BOLT M10X20",2,2,,,,,,,,,,,,,,,,,,,,,  
3-1,1,,26013-100202,, "BOLT W/WASHER  
M10X20",,2,,,,,R,,,,72444397,M/#36804,,,,,,,,,,,,,I  
4,1,,172444-68100,, "ROOF,CONOPY(GREY:73)",1,,,,,,,,,,,,,,,,,,,,,  
4-1,1,,172444-68101,, "ROOF,CANOPY(GRAY:73)",1,,,,,,N,,72444300,M/#30820,,,,,,,,,,,,,  
4-2,1,,172444-  
68102,, "ROOF,CANOPY(GRAY:73)",1,1,,,,,N,,72444348,M/#31017,,,,,,,,,,,,,  
6,2,,172444-68711,, "ACRYLIC",1,,,,,,,,,,,,,,,,,,,,,  
6-1,2,,172444-68712,, "ACRYLIC",1,1,,,,,N,,72444300,M/#30820,,,,,,,,,,,,,  
7,2,,172444-68721,, "RUBBER",1,,,,,,,,,,,,,,,,,,,,,  
7-1,2,,172444-68722,, "RUBBER",1,,,,,,N,,72444300,M/#30820,,,,,,,,,,,,,  
7-2,2,,172444-68723,, "RUBBER",1,1,,,,,N,,72444348,M/#31017,,,,,,,,,,,,,  
8,1,,172444-68110,, "FRAME R (GRAY:73)",1,1,,,,,,,,,,,,,,,,,,,,,  
8-1,1,,172444-68111,, "FRAME R  
ASSY(GRAY:73)",,1,,,,,N,,,,72490005,M/#36859,,,,,,,,,,,,,I  
9,1,,172444-68300,, "POLE L (GRAY:73)",1,1,,,,,,,,,,,,,,,,,,,,,  
9-1,1,,172444-68301,, "POLE L  
ASSY(GRAY:73)",,1,,,,,N,,,,72444391,M/#36588,,,,,,,,,,,,,I  
10,1,,172444-68500,, "STAY,CANOPY(GRAY:73)",1,1,,,,,,,,,,,,,,,,,,,,,  
11,1,,172444-68540,, "ACRYLIC RESIN, SIDE",1,1,,,,,,,,,,,,,,,,,,,,,  
12,1,,172444-68550,, "H RUBBER",1,1,,,,,,,,,,,,,,,,,,,,,  
13,1,,172444-68570,, "BAR,REAR (GRAY:73)",1,1,,,,,,,,,,,,,,,,,,,,,  
14,1,,172444-68620,, "BAR,FRONT (GRAY:73)",1,1,,,,,,,,,,,,,,,,,,,,,  
15,1,,172444-68630,, "MAT A",1,1,,,,,,,,,,,,,,,,,,,,,  
16,1,,172444-68640,, "MAT B",2,2,,,,,,,,,,,,,,,,,,,,,  
17,1,,172444-68650,, "CLIP",4,4,,,,,,,,,,,,,,,,,,,,,  
18,1,,22137-120000,, "WASHER 12,POLISHED",5,5,,,,,,,,,,,,,,,,,,,,,  
19,1,,22157-100000,, "WASHER 10",5,5,,,,,,,,,,,,,,,,,,,,,  
20,1,,22217-140000,, "SPRING WASHER 14",6,6,,,,,,,,,,,,,,,,,,,,,  
21,1,,26013-100202,, "BOLT W/WASHER M10X20",2,2,,,,,,,,,,,,,,,,,,,,,  
22,1,,26013-100302,, "BOLT M10X 30",5,5,,,,,,,,,,,,,,,,,,,,,  
23,1,,26013-120302,, "BOLT W/WASHER M12X30",5,5,,,,,,,,,,,,,,,,,,,,,  
24,1,,26013-120302,, "BOLT W/WASHER M12X30",1,1,,,,,,,,,,,,,,,,,,,,,  
24-1,1,,26013-120252,, "BOLT M12X 25",,1,,,,,R,,,,72444397,M/#36804,,,,,,,,,,,,,I  
25,1,,26013-120352,, "BOLT M12X 35",1,1,,,,,,,,,,,,,,,,,,,,,  
26,1,,26116-140352,, "BOLT M14X 35 PLATED",6,6,,,,,,,,,,,,,,,,,,,,,  
27,1,,172126-11510,, "BAND 300",2,2,,,,,W,,72444283,M/#30621,,,,,,,,,,,,,  
28,1,,172444-68690,, "RUBBER",2,2,,,,,W,,72444283,M/#30621,,,,,,,,,,,,,  
29,1,,172186-13660,, "RUBBER,SEAL",1,,,,,,,,,,,,,,,,,,,,,  
29-1,1,,172444-61320,, "RUBBER,SEAL",1,1,,,,,N,,72444183,M/#30505,,,,,,,,,,,,,



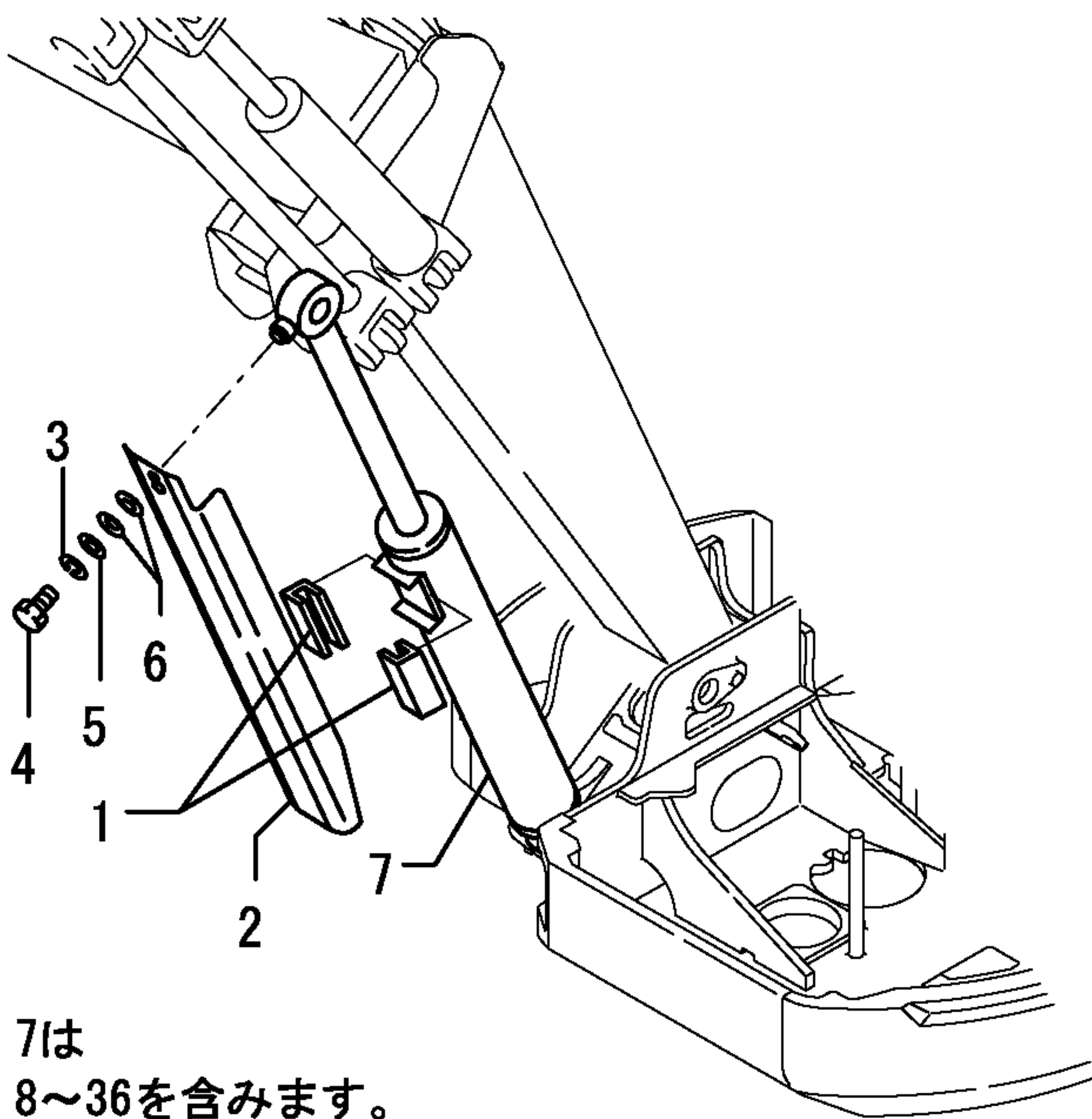


1,1,,172168-71101,, "COVER, FLYWHEEL (88)",1,1,1,,,,,,,,,,,,,  
2,1,,26013-100302,, "BOLT M10X 30",8,8,8,,,,,,,,,,,,,  
3,1,,172165-71200,, COUPLING,1,1,1,,,,,,,,,,,,,  
4,1,,26450-120402,, "BOLT M12X 40",3,3,3,,,,,,,,,,,,,  
5,1,,172444-73100,, POMP,1,,,,,,,,,,,,,  
5-1,1,,172444-73101,, "PUMP ASSY",1,1,1,,,,,N,,72422134,M/#31116,,,,,,,,,  
6,2,,172422-73190,, SPRING,1,1,1,,,,,,,,,,,,,I  
7,2,,172422-73201,, "HOLDER, SPRING",1,1,1,,,,,,,,,,,,,I  
8,2,,172422-73210,, GUIDE,1,1,1,,,,,,,,,,,,,I  
9,2,,172422-73220,, PIN,1,1,1,,,,,,,,,,,,,I  
10,2,,172422-73230,, ROD,1,1,1,,,,,,,,,,,,,I  
11,2,,172422-73240,, WASHER,2,2,2,,,,,,,,,,,,,I  
12,2,,172422-73260,, PIN,1,1,1,,,,,,,,,,,,,I  
13,2,,172422-73270,, PIN,1,1,1,,,,,,,,,,,,,I  
14,2,,172422-73280,, PIN,1,1,1,,,,,,,,,,,,,I  
15,2,,172422-73290,, BEARING,1,1,1,,,,,,,,,,,,,I  
16,2,,172422-73500,, BEARING,1,1,1,,,,,,,,,,,,,I  
17,2,,172422-73520,, WASHER,4,4,4,,,,,,,,,,,,,I  
18,2,,172422-73530,, PLUG,1,1,1,,,,,,,,,,,,,I  
19,2,,172422-73530,, PLUG,1,1,1,,,,,,,,,,,,,I  
20,2,,172422-73540,, BOLT,5,5,5,,,,,,,,,,,,,  
22,2,,172422-73560,, SCREW,1,1,1,,,,,,,,,,,,,I  
23,2,,172422-73580,, COUPLING,1,1,1,,,,,,,,,,,,,  
24,2,,172422-73590,, COLLER,1,1,1,,,,,,,,,,,,,I  
25,2,,172422-73140,, PLATE,1,1,1,,,,,,,,,,,,,I  
26,2,,172422-73610,, BOLT,3,3,3,,,,,,,,,,,,,  
27,2,,172422-73680,, "VALEL KIT",1,1,1,,,,,,,,,,,,,  
28,3,,172422-73120,, HOLDER,1,1,1,,,,,,,,,,,,,I  
29,3,,172422-73130,, HOLDER,1,1,1,,,,,,,,,,,,,I  
30,3,,172422-73150,, NEEDL,3,3,3,,,,,,,,,,,,,I  
31,3,,172422-73180,, SPRING,1,1,1,,,,,,,,,,,,,I  
32,3,,172422-73250,, RETAINER,2,2,2,,,,,,,,,,,,,I  
33,3,,172422-73690,, "PISTON ASSY",1,1,1,,,,,,,,,,,,,I  
34,3,,22252-000350,, "CIRCLIP 35",1,1,1,,,,,,,,,,,,,I  
35,2,,172422-73700,, "SEAL KIT",1,1,1,,,,,,,,,,,,,  
36,3,,172422-73170,, GASKET,1,1,1,,,,,,,,,,,,,  
37,3,,172422-73510,, OILSEAL,1,1,1,,,,,,,,,,,,,  
38,3,,172422-73570,, WASHER,1,1,1,,,,,,,,,,,,,  
39,3,,24315-000070,, "O-RING 1B P-7.0",1,1,1,,,,,,,,,,,,,  
40,3,,24315-000080,, "O-RING 1B P-8.0",2,2,2,,,,,,,,,,,,,  
41,3,,24315-000110,, "O-RING 1B P-11.0",1,1,1,,,,,,,,,,,,,  
42,3,,24315-000110,, "O-RING 1B P-11.0",1,1,1,,,,,,,,,,,,,  
43,3,,24315-000120,, "O-RING 1B P-12.0",3,3,3,,,,,,,,,,,,,  
44,3,,24325-000550,, "O-RING 1B G-55.0",1,1,1,,,,,,,,,,,,,  
45,2,,172422-73721,, "VALVE BLOCK ASSY",1,1,1,,,,,,,,,,,,,  
46,3,,172422-73550,, PLUG,4,4,4,,,,,,,,,,,,,I  
47,3,,172422-73640,, "AJUSTER KIT",1,1,1,,,,,,,,,,,,,I  
48,3,,172422-73650,, PLUG,3,3,3,,,,,,,,,,,,,I  
49,3,,172422-73660,, BOLT,1,1,1,,,,,,,,,,,,,I  
50,3,,172422-73670,, "ROCK PLATE",1,1,1,,,,,,,,,,,,,I  
51,3,,24311-000100,, "O-RING 1A P-10.0",1,1,1,,,,,,,,,,,,,I  
52,3,,172422-73730,, "SC VALVE GP ASSY",1,1,1,,,,,W,,72478122,M/#31116,,,,,,,,,  
53,4,,172422-73780,, "SC COIL A21 GP ASSY",1,1,1,,,,,,,,,,,,,I  
54,4,,24315-000180,, "O-RING 1B P-18.0",1,1,1,,,,,,,,,,,,,I  
55,3,,172422-73800,, "SC VALVE GQ ASSY",1,1,1,,,,,W,,72478122,M/#31116,,,,,,,,,  
56,4,,172422-73810,, "SC COIL A21-GQ ASSY",1,1,1,,,,,,,,,,,,,I  
57,4,,24315-000180,, "O-RING 1B P-18.0",1,1,1,,,,,,,,,,,,,I  
58,2,,172422-73160,, PIN,2,2,2,,,,,,,,,,,,,I  
59,2,,22212-080000,, "WASHER 8",3,3,3,,,,,,,,,,,,,  
60,2,,22212-100000,, "WASHER 10",5,5,5,,,,,,,,,,,,,  
61,2,,22252-000250,, "CIRCLIP 25",1,1,1,,,,,,,,,,,,,  
62,2,,22252-000520,, "CIRCLIP 52",1,1,1,,,,,,,,,,,,,  
63,2,,22351-060016,, "SPRING PIN 6X16",1,1,1,,,,,,,,,,,,,I

64,2,,26711-080002,, "NUT M 8",1,1,1,,,,,,,,,,,,,I  
65,2,,172422-73110,, SHAFT,1,1,1,,,,,,,,,,,,,I  
66,2,,172443-73111,, "PUMP ASSY, GEAR",1,1,1,,,,,W,,72422134,M/#31116,,,,,,,,,  
67,3,,172443-73110,, "PUMP, GEAR",1,,,,,,,,,,,,,  
67-1,3,,172443-73120,, "GEAR PUMP",1,1,1,,,,,N,,72422134,M/#31116,,,,,,,,,  
68,3,,172422-73600,, BOLT,2,,,,,,,,,,,,,  
68-1,3,,172450-73120,, BOLT,2,2,2,,,,,N,,72422134,M/#31116,,,,,,,,,  
69,3,,22133-080000,, "WASHER 8",2,,,,,,,,,,,,,  
69-1,3,,172450-73130,, WASHER,2,2,2,,,,,N,,72422134,M/#31116,,,,,,,,,  
70,3,,26013-120352,, "BOLT M12X 35",2,2,2,,,,,,,,,,,,,

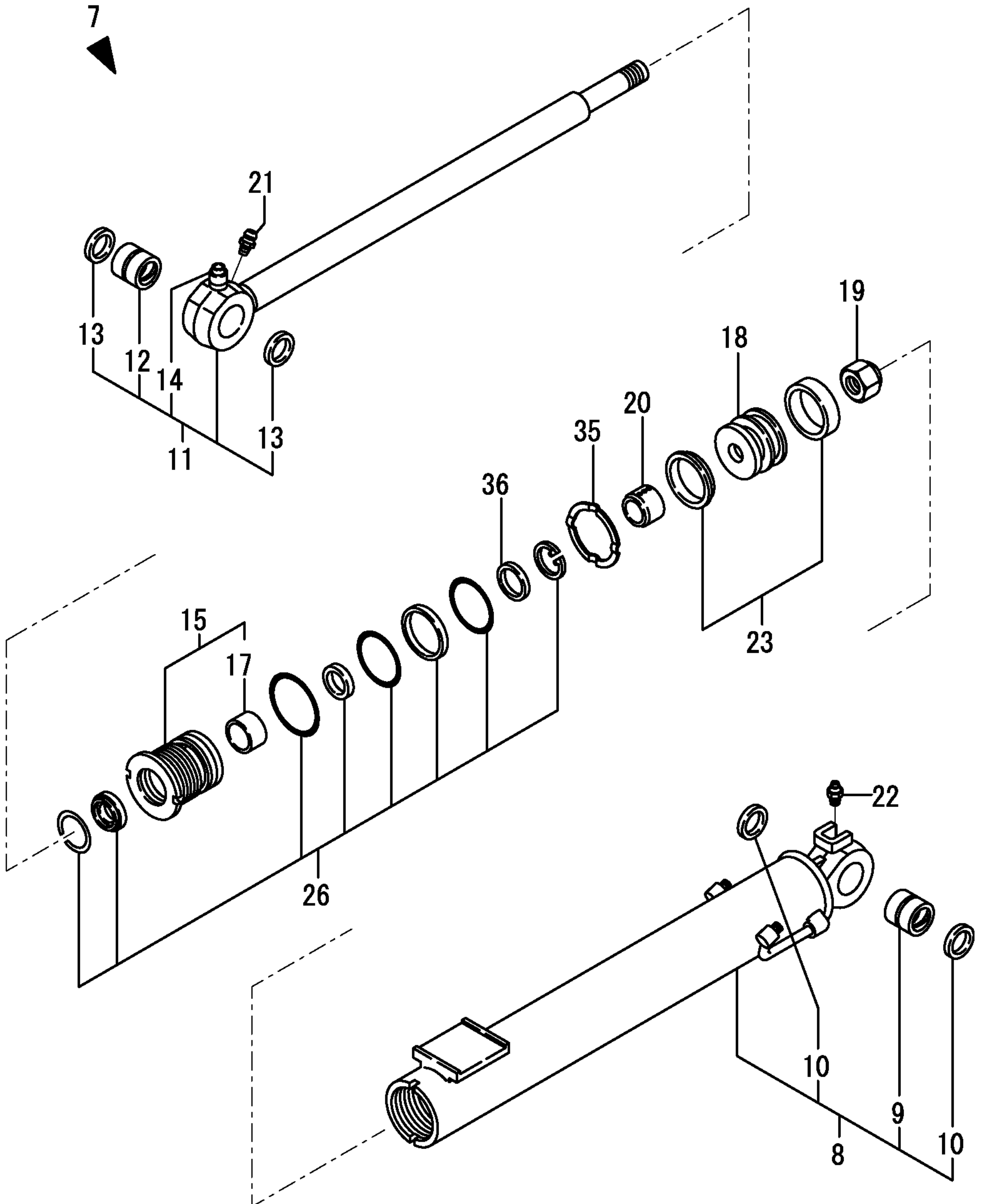


1,1,,172162-61770,, "GUIDE,SLIDE",,,,2,,,,,,,,,,,,,,,,,,,,,I  
2,1,,172444-72470,, "COVER,BOOM(GREEN:97)",,,,1,,,,,,,,,,,,,,,,,,,,,I  
3,1,,22217-100000,, "SPRING WASHER 10",,,,1,,,,,,,,,,,,,,,,,,,,,I  
4,1,,26116-100162,, "BOLT M10X 16 PLATED",,,,1,,,,,,,,,,,,,,,,,,,,,I  
5,1,,933147-03400,, "WASHER, BRAKE ARM",,,,1,,,,,,,,,,,,,,,,,,,,,I  
6,1,,933168-14170,, "SPRING 16",,,,2,,,,,,,,,,,,,,,,,,,,,I  
7,1,,172444-72010,, "CYLINDER ASSY,BOOM C",,,,1,,,,,,,,,,,,,,,,,,,,,I  
8,2,,172444-72110,, "TUBE,BOOM (GREEN:97)",,,,1,,,,,,,,,,,,,,,,,,,,,I  
9,3,,172165-72300,, "PINBUSH 50X60",,,,1,,,,,,,,,,,,,,,,,,,,,I  
10,3,,172165-81760,, "SEAL 50X60X4, DUST",,,,2,,,,,,,,,,,,,,,,,,,,,I  
11,2,,172444-72140,, "ROD,BOOM",,,,1,,,,,,,,,,,,,,,,,,,,,I  
12,3,,172165-72300,, "PINBUSH 50X60",,,,1,,,,,,,,,,,,,,,,,,,,,I  
13,3,,172448-54120,, "SEAL 50X60X4,DUST",,,,2,,,R,,,,,,,,,,,,,,,,,,,,,I  
14,3,,172168-72390,, "SEAT,SCREW M10X34.3",,,,1,,,,,,,,,,,,,,,,,,,,,I  
15,2,,172444-72020,, "HEAD 95 50",,,,1,,,,,,,,,,,,,,,,,,,,,I  
17,3,,172151-72540,, "BUSH 50 35, ROD",,,,1,,,,,,,,,,,,,,,,,,,,,I  
18,2,,172444-72190,, "PISTON 95 43",,,,1,,,,,,,,,,,,,,,,,,,,,I  
19,2,,172151-72270,, "U-NUT M39",,,,1,,,,,,,,,,,,,,,,,,,,,I  
20,2,,172444-72910,, "PULANJYA 56",,,,1,,,,,,,,,,,,,,,,,,,,,I  
21,2,,24761-020000,, "NIPPLE PT1/8,GREASE",,,,1,,,,,,,,,,,,,,,,,,,,,I  
22,2,,24761-040000,, "NIPPLE B,GREASE",,,,1,,,,,,,,,,,,,,,,,,,,,I  
23,2,,172444-72890,, "PISTON SEAL SET",,,,1,,,,,,,,,,,,,,,,,,,,,I  
26,2,,172444-72900,, "SEAL SET,HEAD",,,,1,,,,,,,,,,,,,,,,,,,,,I  
35,2,,172444-72430,, "LOCK WASHER",,,,1,,,,,,,,,,,,,,,,,,,,,I  
36,2,,172444-72860,, "CUSHION RING 56",,,,1,,,,,,,,,,,,,,,,,,,,,I



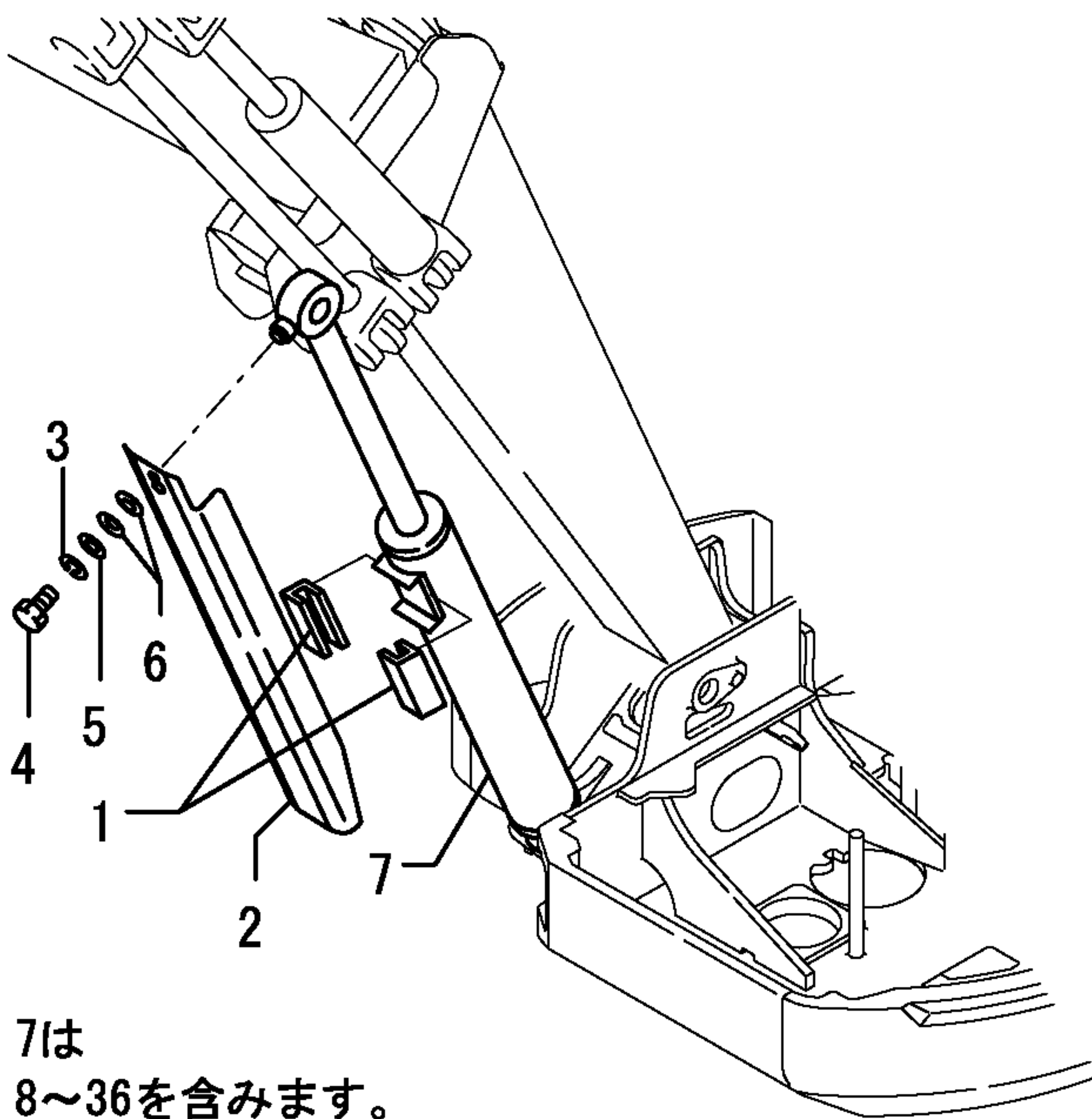
見出しNo. 7は  
見出しNo. 8~36を含みます。  
7 INC. No. 8~36.

7



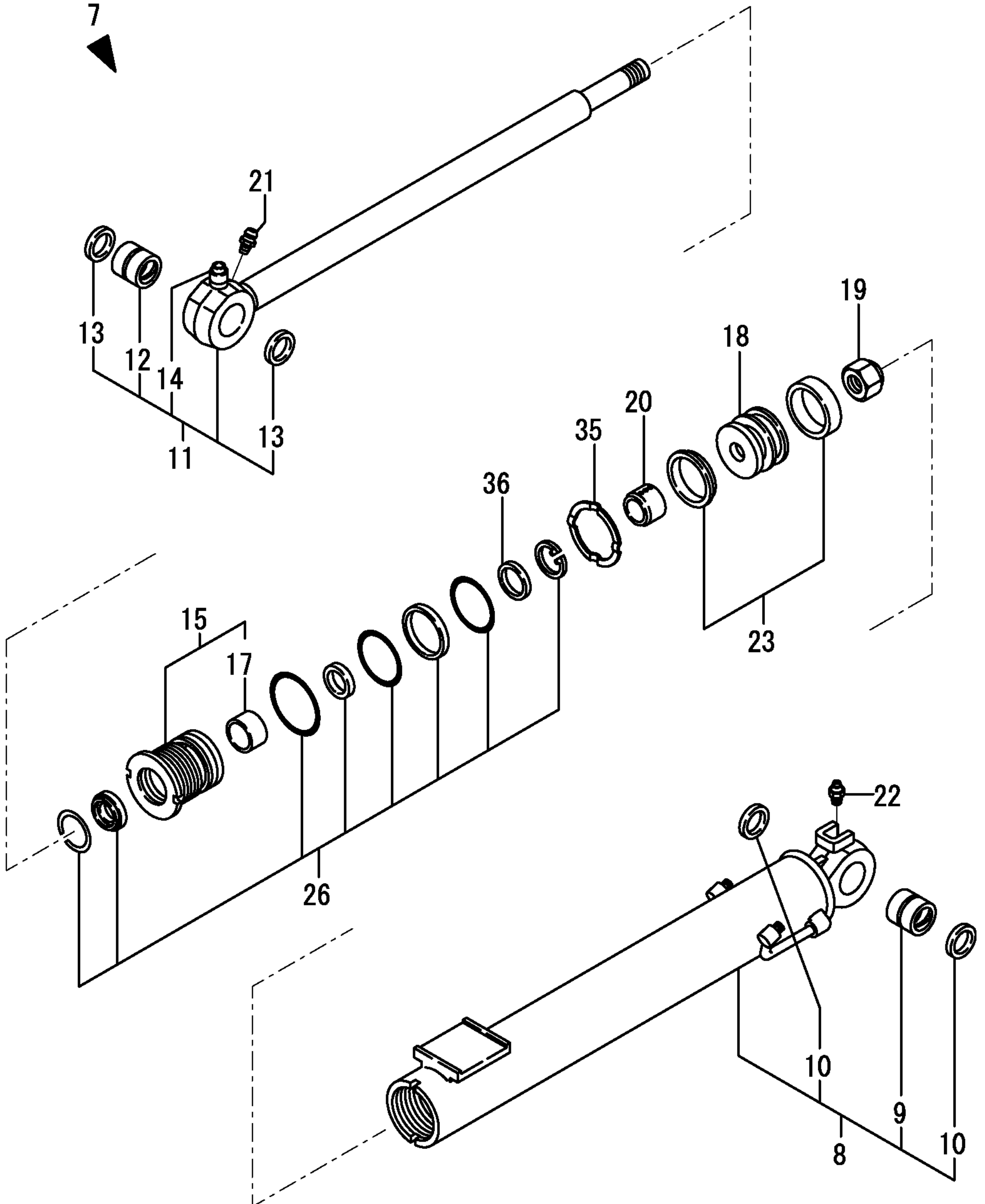


1,1,,172162-61770,, "GUIDE,SLIDE",2,2,,,,,,,,,,,,,,,,,,,,,  
2,1,,172444-72470,, "COVER,BOOM(GREEN:97)",1,1,,,,,,,,,,,,,,,,,,,,,  
3,1,,22217-100000,, "SPRING WASHER 10",1,1,,,,,,,,,,,,,,,,,,,,,  
4,1,,26116-100162,, "BOLT M10X 16 PLATED",1,1,,,,,,,,,,,,,,,,,,,,,  
5,1,,933147-03400,, "WASHER, BRAKE ARM",1,1,,,,,,,,,,,,,,,,,,,,,  
6,1,,933168-14170,, "SPRING 16",2,2,,,,,,,,,,,,,,,,,,,,,  
7,1,,172444-72100,, "CYLINDER ASSY, BOOM",1,1,,,,,,,,,,,,,,,,,,,,,  
8,2,,172444-72110,, "TUBE,BOOM (GREEN:97)",1,1,,,,,,,,,,,,,,,,,,,,,  
9,3,,172165-72300,, "PINBUSH 50X60",1,1,,,,,,,,,,,,,,,,,,,,,  
10,3,,172165-81760,, "SEAL 50X60X4, DUST",2,2,,,,,,,,,,,,,,,,,,,,,  
11,2,,172444-72140,, "ROD,BOOM",1,1,,,,,,,,,,,,,,,,,,,,,  
12,3,,172165-72300,, "PINBUSH 50X60",1,1,,,,,,,,,,,,,,,,,,,,,  
13,3,,172165-81760,, "SEAL 50X60X4, DUST",2,2,,,,,,,,,,,,,,,,,,,,,  
13-1,3,,172448-54120,, "SEAL  
50X60X4,DUST",,2,,,,,R,,,,,72449038,M/#36628,,,,,,,,,,,,,I  
14,3,,172168-72390,, "SEAT,SCREW  
M10X34.3",1,1,,,,,W,,,,,72458525,M/#30501,,,,,,,,,,,,,I  
15,2,,172444-72170,, "HEAD 95 50",1,1,,,,,,,,,,,,,,,,,,,,,  
17,3,,172151-72540,, "BUSH 50 35, ROD",1,1,,,,,,,,,,,,,,,,,,,,,  
18,2,,172444-72190,, "PISTON 95 43",1,1,,,,,,,,,,,,,,,,,,,,,  
19,2,,172151-72270,, "U-NUT M39",1,1,,,,,,,,,,,,,,,,,,,,,  
20,2,,172444-72910,, "PULANJYA 56",1,1,,,,,,,,,,,,,,,,,,,,,  
21,2,,24761-020000,, "NIPPLE PT1/8,GREASE",1,1,,,,,,,,,,,,,,,,,,,,,  
22,2,,24761-040000,, "NIPPLE B,GREASE",1,1,,,,,,,,,,,,,,,,,,,,,  
23,2,,172444-72890,, "PISTON SEAL SET",1,1,,,,,,,,,,,,,,,,,,,,,  
26,2,,172444-72900,, "SEAL SET,HEAD",1,1,,,,,,,,,,,,,,,,,,,,,  
35,2,,172444-72430,, "LOCK WASHER",1,1,,,,,,,,,,,,,,,,,,,,,  
36,2,,172444-72860,, "CUSHION RING 56",1,1,,,,,,,,,,,,,,,,,,,,,

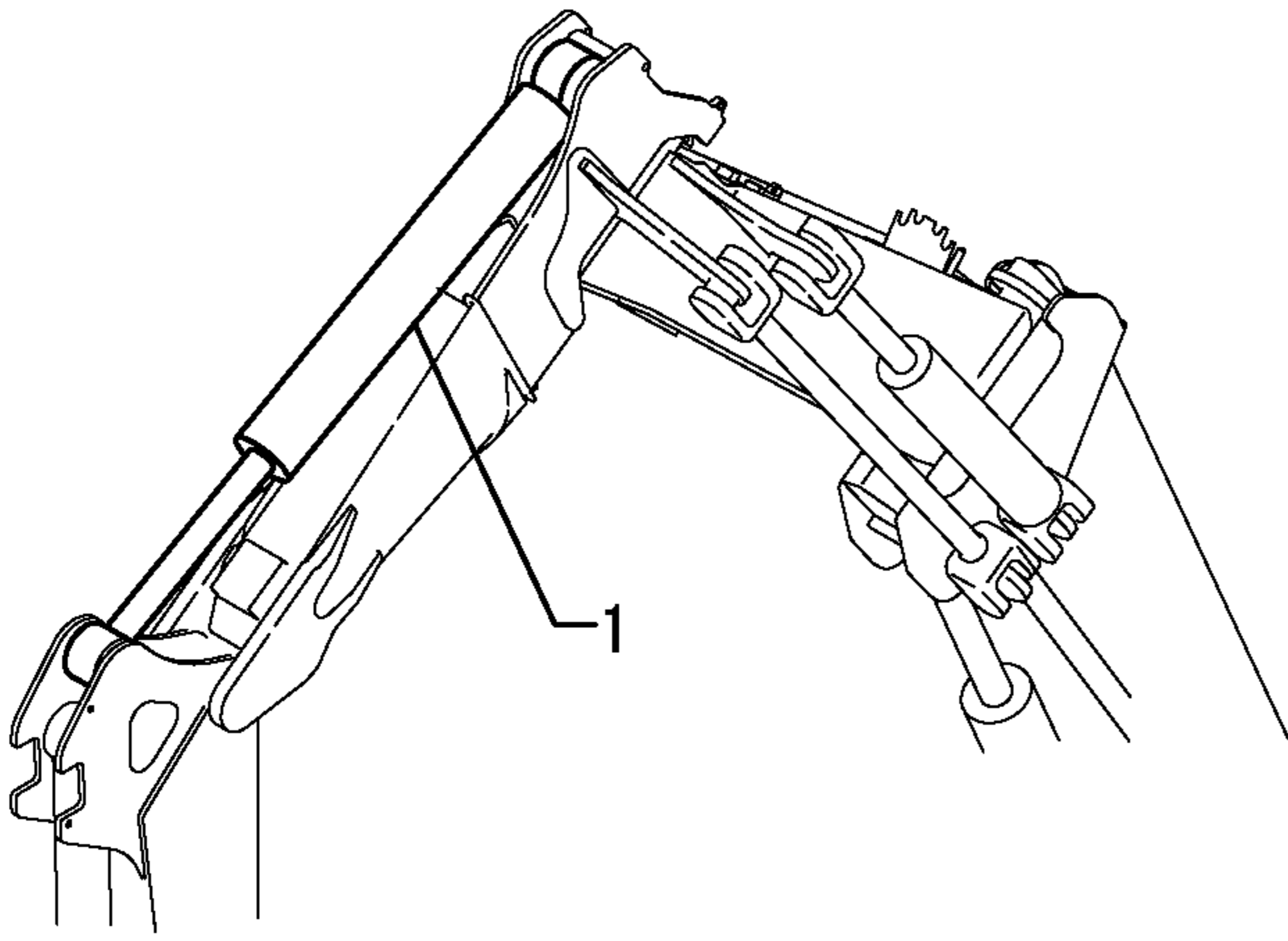


見出しNo. 7は  
見出しNo. 8~36を含みます。  
7 INC. No. 8~36.

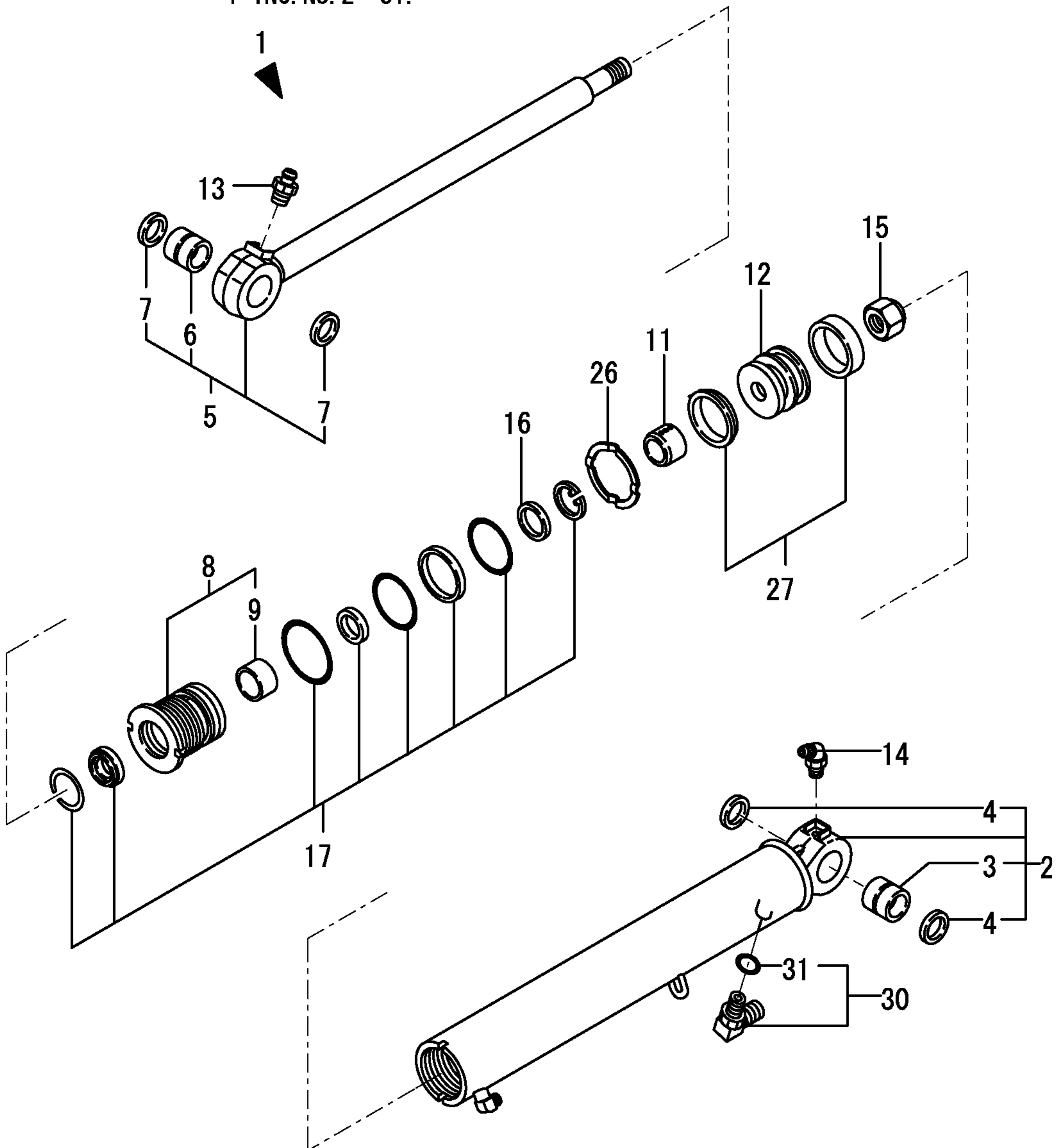
7



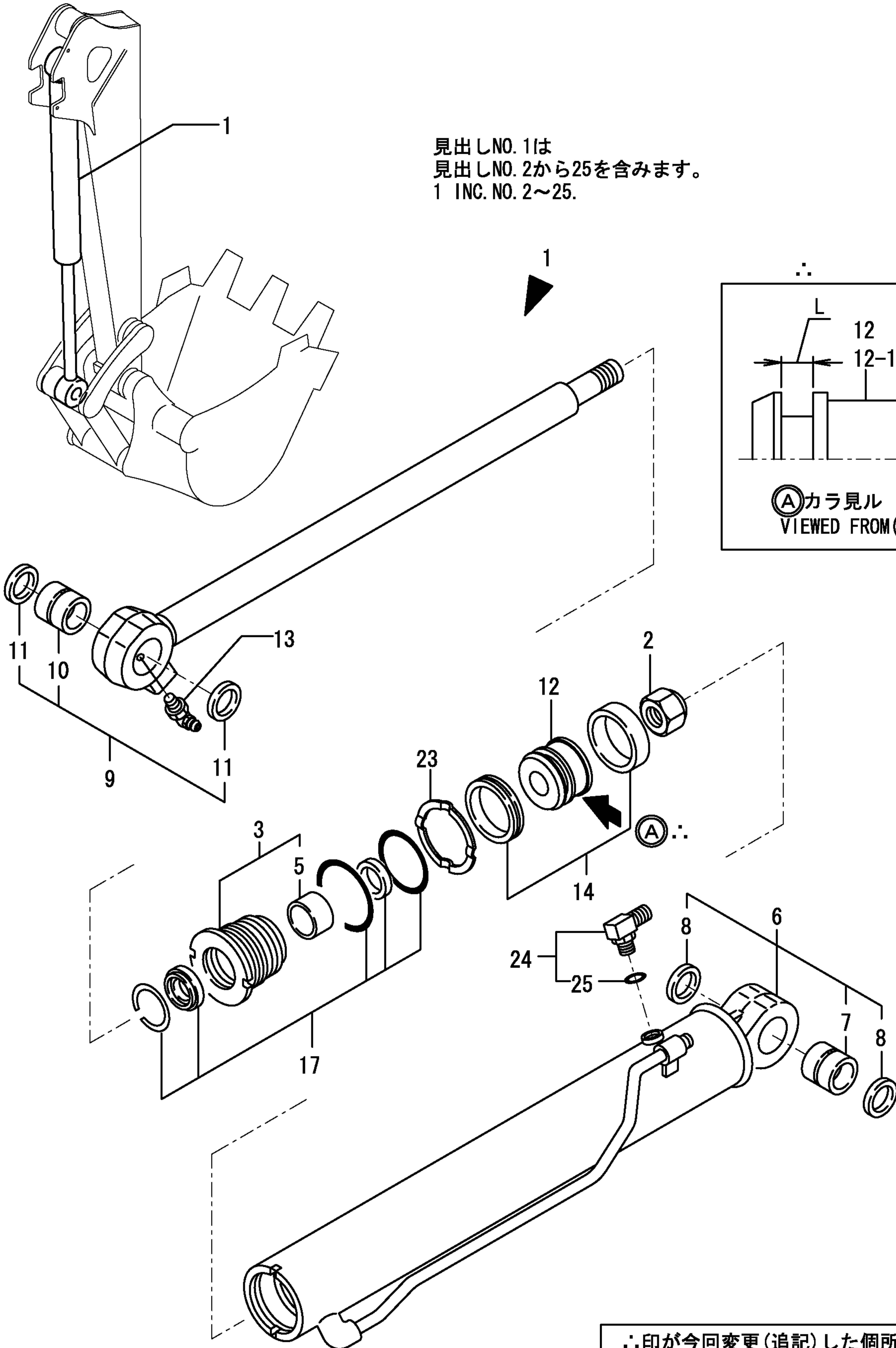
1,1,,172444-72300,, "CYLINDER ASSY,ARM(97",1,1,,,,,,,,,,,,,  
2,2,,172444-72310,, "TUBE CMP,ARM (97)",1,1,,,,,,,,,,,,,  
3,3,,172151-72591,, "BUSH 50X60",1,1,,,,,,,,,,,,,  
4,3,,172165-81760,, "SEAL 50X60X4, DUST",2,2,,,,,,,,,,,,,  
4-1,3,,172448-54120,, "SEAL 50X60X4,DUST",,2,,,,,R,,,,,72449038,M/#36637,,,,,,I  
5,2,,172444-72340,, "ROD,ARM",1,1,,,,,,,,,,,,,  
6,3,,172151-72591,, "BUSH 50X60",1,1,,,,,,,,,,,,,  
7,3,,172165-81760,, "SEAL 50X60X4, DUST",2,2,,,,,,,,,,,,,  
7-1,3,,172448-54120,, "SEAL 50X60X4,DUST",,2,,,,,R,,,,,72449038,M/#36637,,,,,,I  
8,2,,172444-72370,, "HEAD 85 45",1,1,,,,,,,,,,,,,  
9,3,,194300-24130,, "BUSH 45X50X30",1,1,,,,,,,,,,,,,  
9-1,3,,24550-045300,, BUSH,,1,,,,,R,,,,,A1686116,M/#36588,,,,,,I  
11,2,,172444-72400,, "PLANJYA 49",1,1,,,,,,,,,,,,,  
12,2,,172444-72440,, "PISTON 85 48",1,1,,,,,,,,,,,,,  
12-1,2,,172444-72441,, "PISTON 85 48",,1,,,,,N,,,,,72444400,M/#36858,,,,,,I  
13,2,,24761-020000,, "NIPPLE PT1/8,GREASE",1,1,,,,,,,,,,,,,  
14,2,,24761-040000,, "NIPPLE B,GREASE",1,1,,,,,,,,,,,,,  
15,2,,933111-20200,, "U-NUT M33",1,1,,,,,,,,,,,,,  
16,2,,172444-72880,, "RING 49",1,1,,,,,,,,,,,,,  
17,2,,172444-72930,, "SEAL SET,HEAD",1,1,,,,,,,,,,,,,  
26,2,,172146-72270,, "LOCK WASHER 85",1,1,,,,,,,,,,,,,  
27,2,,172444-72950,, "PISTON SEAL SET",1,1,,,,,,,,,,,,,  
27-1,2,,172444-72951,, "PISTON SEAL SET",,1,,,,,N,,,,,72458500,M/#36670,,,,,,I  
30,2,,172142-76180,, JOINT,1,1,,,,,,,,,,,,,  
31,3,,24315-000140,, "O-RING 1B P-14.0",1,1,,,,,,,,,,,,,



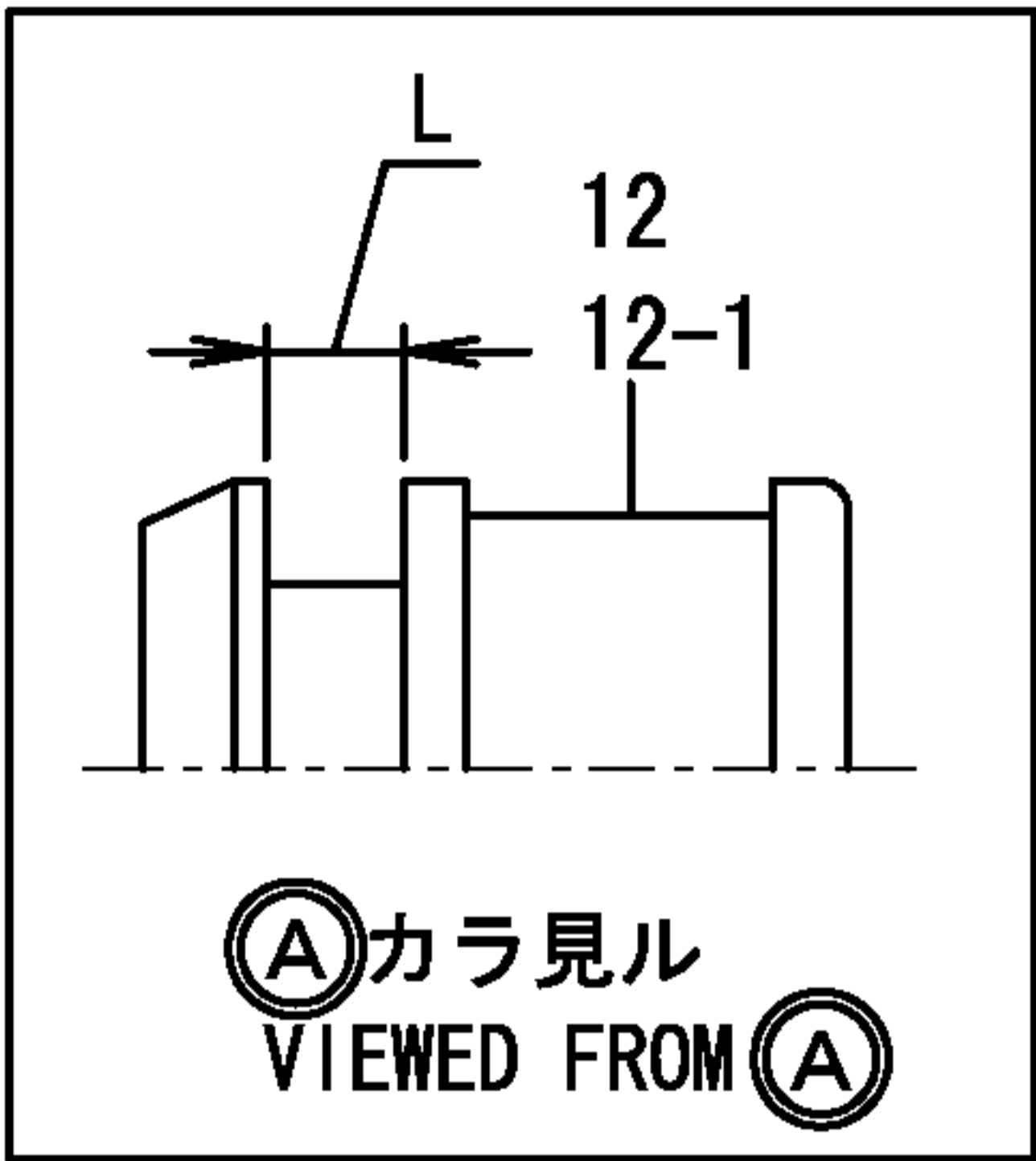
見出しNo. 1は  
見出しNo. 2~31を含みます。  
1 INC. No. 2~31.



1,1,,172444-72500,, "CYLINDER ASSY, BUCKET",1,1,1,,,,,,,,,,,,,  
2,2,,172141-72250,, "U-NUT M27",1,1,1,,,,,,,,,,,,,  
3,2,,172142-72510,, "HEAD 65 40 W/BUSH",1,1,1,,,,,,,,,,,,,  
5,3,,933135-14600,, "BUSH 40 30, ROD",1,1,,,,,,,,,,,,,  
5-1,3,,24550-040300,, "BUSH 40X30",1,1,,,,,R,,,,,A1686116,M/#36588,,,,,,  
6,2,,172444-72510,, "TUBE, BUCKET(GREEN:97)",1,1,1,,,,,,,,,,,,,  
7,3,,172168-72240,, "BUSH 38X50X40",1,1,1,,,,,,,,,,,,,  
8,3,,172168-81270,, "SEAL, DUST 38X50X4",2,2,2,,,,,,,,,,,,,  
9,2,,172148-72771,, "ROD COMP",1,1,1,,,,,,,,,,,,,  
10,3,,172168-72240,, "BUSH 38X50X40",1,1,1,,,,,,,,,,,,,  
11,3,,172168-81270,, "SEAL, DUST 38X50X4",2,2,2,,,,,,,,,,,,,  
12,2,,172148-72790,, "PISTON 65",1,1,1,,,,,,,,,,,,,  
12-1,2,,172148-72791,, "PISTON 65  
27",1,1,1,,,,,S,1,72958068,M/#XXX,72958068,M/#XXX,72958068,M/#XXX,,,,,,I  
13,2,,24761-040000,, "NIPPLE B, GREASE",1,1,1,,,,,,,,,,,,,  
14,2,,172444-72690,, "PISTON SEAL SET",1,1,1,,,,,,,,,,,,,  
14-1,2,,172148-72941,, "PISTON SEAL  
SET, BUCK",1,1,1,,,,,F,1,72458500,M/#XXX,72458500,M/#XXX,72458500,M/#XXX,,,,,,I  
17,2,,172444-72680,, "HEAD SEAL SET",1,1,1,,,,,,,,,,,,,  
23,2,,172142-72560,, "WASHER 65, LOCK",1,1,1,,,,,,,,,,,,,  
24,2,,172142-76180,, "JOINT",1,1,1,,,,,,,,,,,,,  
25,3,,24315-000140,, "O-RING 1B P-14.0",1,1,1,,,,,,,,,,,,,



見出しNO. 1は  
 見出しNO. 2から25を含みます。  
 1 INC. NO. 2~25.

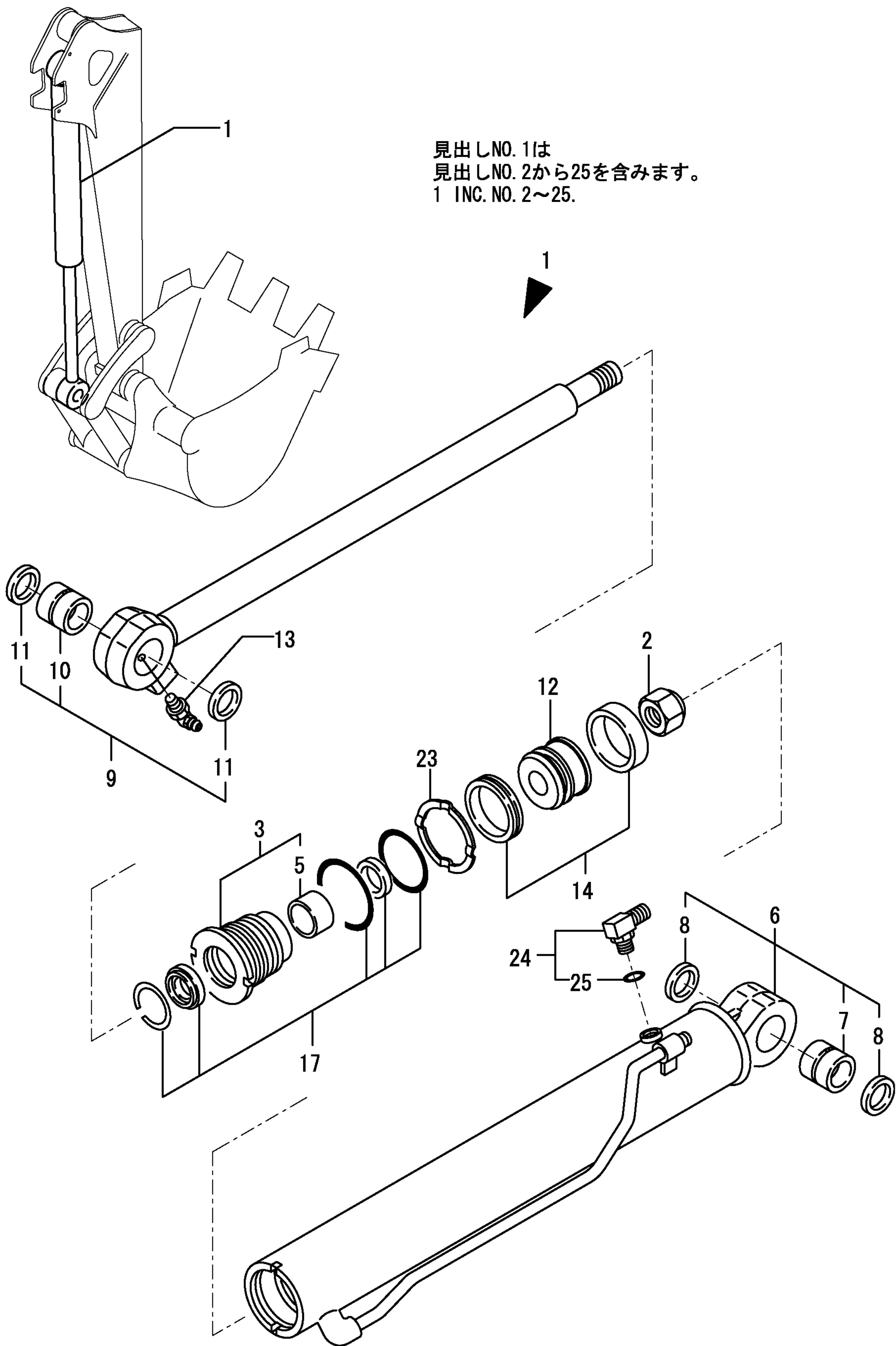


∴印が今回変更(追記)した個所です。  
 ∴MARKED PART HAS BEEN CHANGED (ADDED).

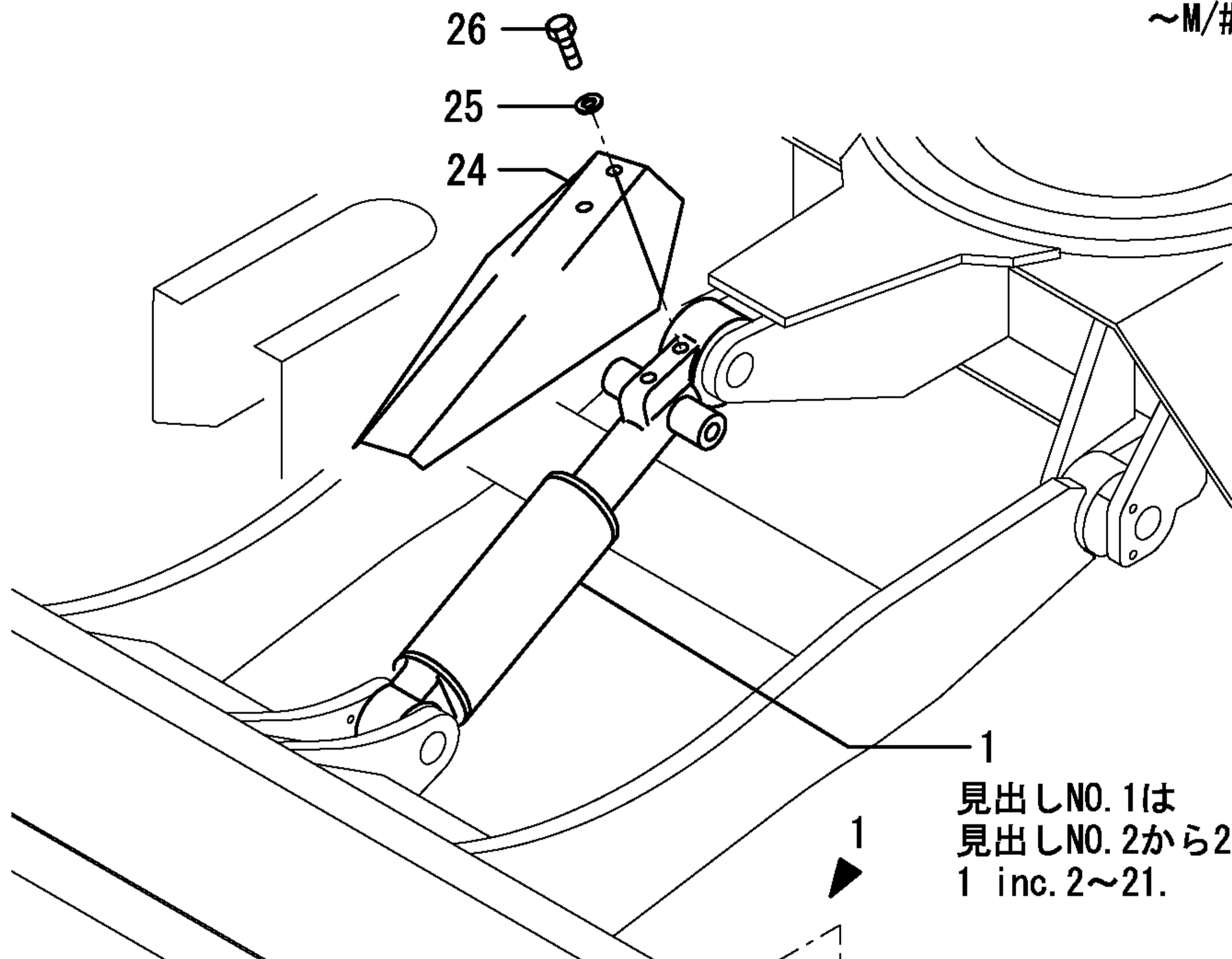


1,1,,172444-72970,, "CYLINDER ASSY, BUCKET",1,1,,,,,,,,,,,,,,,,,  
2,2,,172141-72250,, "U-NUT M27",1,1,,,,,,,,,,,,,,,,,  
3,2,,172444-72980,, "HEAD CMP",1,1,,,,,,,,,,,,,,,,,  
5,3,,933135-14600,, "BUSH 40 30, ROD",1,1,,,,,,,,,,,,,,,,,  
5-1,3,,24550-040300,, "BUSH 40X30",1,,,,,R,,,,,A1686116,M/#36588,,,,,,I  
6,2,,172444-72510,, "TUBE, BUCKET(GREEN:97)",1,1,,,,,,,,,,,,,,,,,  
7,3,,172168-72240,, "BUSH 38X50X40",1,1,,,,,,,,,,,,,,,,,  
8,3,,172168-81270,, "SEAL, DUST 38X50X4",2,2,,,,,,,,,,,,,,,,,  
9,2,,172148-72771,, "ROD COMP",1,1,,,,,,,,,,,,,,,,,  
10,3,,172168-72240,, "BUSH 38X50X40",1,1,,,,,,,,,,,,,,,,,  
11,3,,172168-81270,, "SEAL, DUST 38X50X4",2,2,,,,,,,,,,,,,,,,,  
12,2,,172148-72790,, "PISTON 65",1,1,,,,,,,,,,,,,,,,,  
13,2,,24761-040000,, "NIPPLE B, GREASE",1,1,,,,,,,,,,,,,,,,,  
14,2,,172444-72690,, "PISTON SEAL SET",1,1,,,,,,,,,,,,,,,,,  
17,2,,172444-72680,, "HEAD SEAL SET",1,1,,,,,,,,,,,,,,,,,  
23,2,,172142-72560,, "WASHER 65, LOCK",1,1,,,,,,,,,,,,,,,,,  
24,2,,172142-76180,, "JOINT",1,1,,,,,,,,,,,,,,,,,  
25,3,,24315-000140,, "O-RING 1B P-14.0",1,1,,,,,,,,,,,,,,,,,

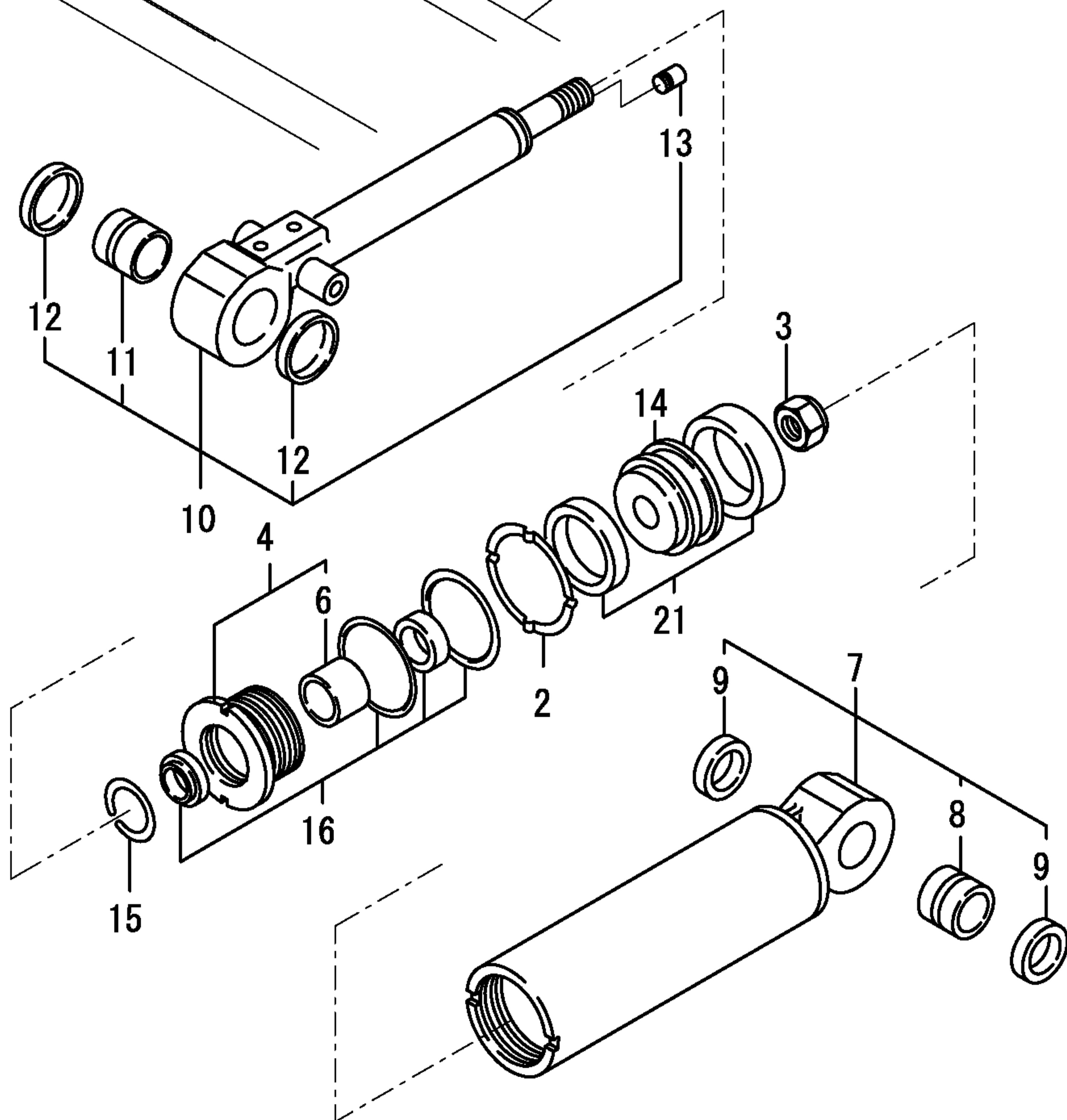
見出しNO. 1は  
見出しNO. 2から25を含みます。  
1 INC. NO. 2~25.



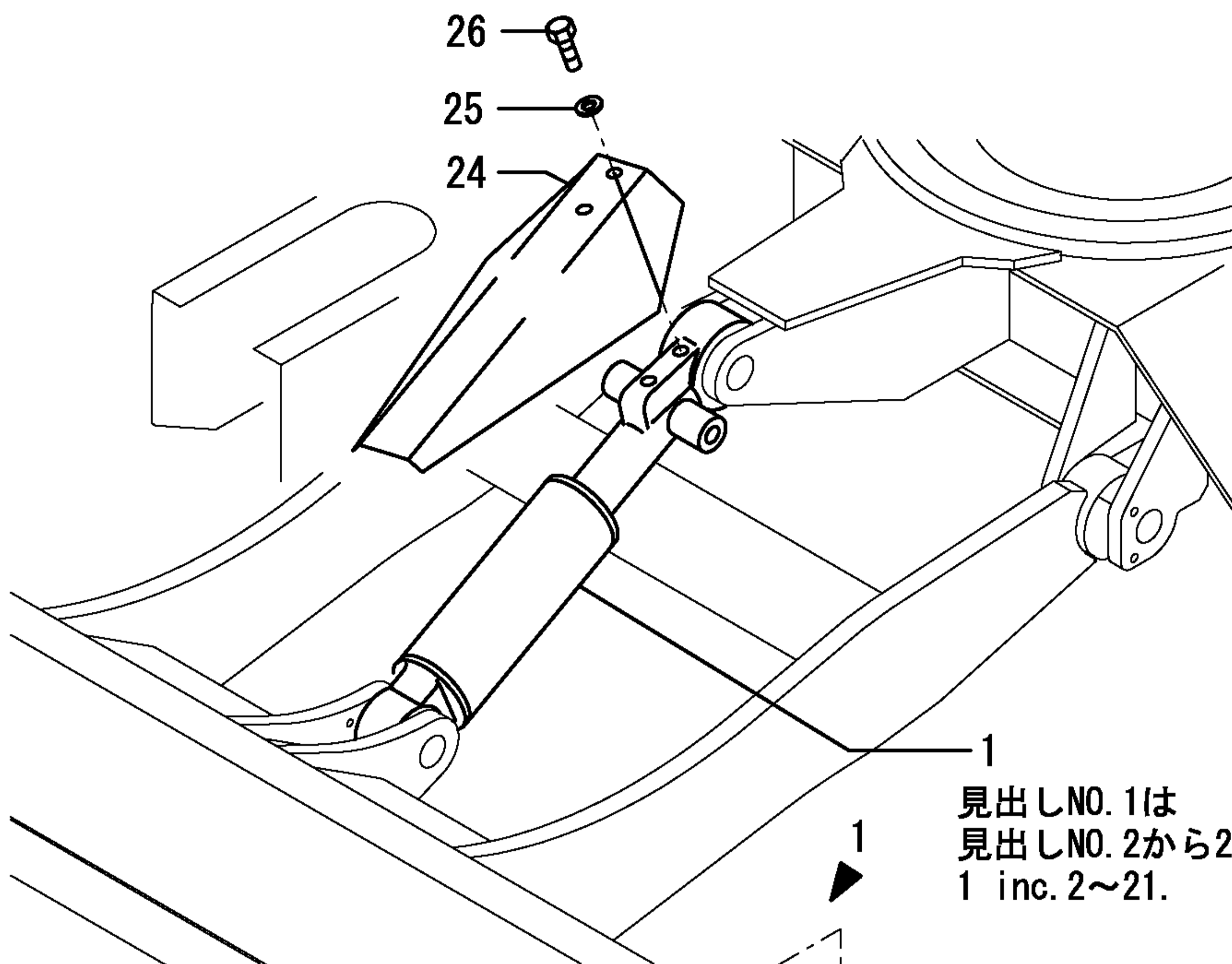
1,1,,172422-72700-4,, "CYLINDER, BLADE (98)",1,,,,,,,,,,,,,  
2,2,,172142-72260,, "WASHER 80 B",1,,,,,,,,,,,,,  
3,2,,172175-72550,, U-NUT,1,,,,,,,,,,,,,  
4,2,,172142-72640,, "HEAD 80 40 W/BUSH",1,,,,,,,,,,,,,  
6,3,,933135-14600,, "BUSH 40 30, ROD",1,,,,,,,,,,,,,  
7,2,,172422-72710-4,, "TUBE, BLADE (98)",1,,,,,,,,,,,,,  
8,3,,172168-72410,, "BUSH 40X50X40",1,,,,,,,,,,,,,  
9,3,,172165-81750,, "SEAL 40X50X5, DUST",2,,,,,,,,,,,,,  
10,2,,172422-72730,, ROD,1,,,,,,,,,,,,,  
11,3,,172168-72410,, "BUSH 40X50X40",1,,,,,,,,,,,,,  
12,3,,172165-81750,, "SEAL 40X50X5, DUST",2,,,,,,,,,,,,,  
13,3,,23871-005000,, "PLUG PT 1/16",1,,,,,,,,,,,,,  
14,2,,172422-72780,, PISTON,1,,,,,,,,,,,,,  
15,2,,933111-26600,, "RING 55, SPRING",1,,,,,,,,,,,,,  
16,2,,172142-72930,, "SEAL SET, HEAD",1,,,,,,,,,,,,,  
21,2,,172142-72950,, "SEAL SET, PISTON",1,,,,,,,,,,,,,  
24,1,,172422-72790-4,, COVER(BLADE(GREEN:98),1,,,,,,,,,,,,,  
25,1,,22157-100000,, "WASHER 10",2,,,,,,,,,,,,,  
26,1,,26013-100202,, "BOLT W/WASHER M10X20",2,,,,,,,,,,,,,



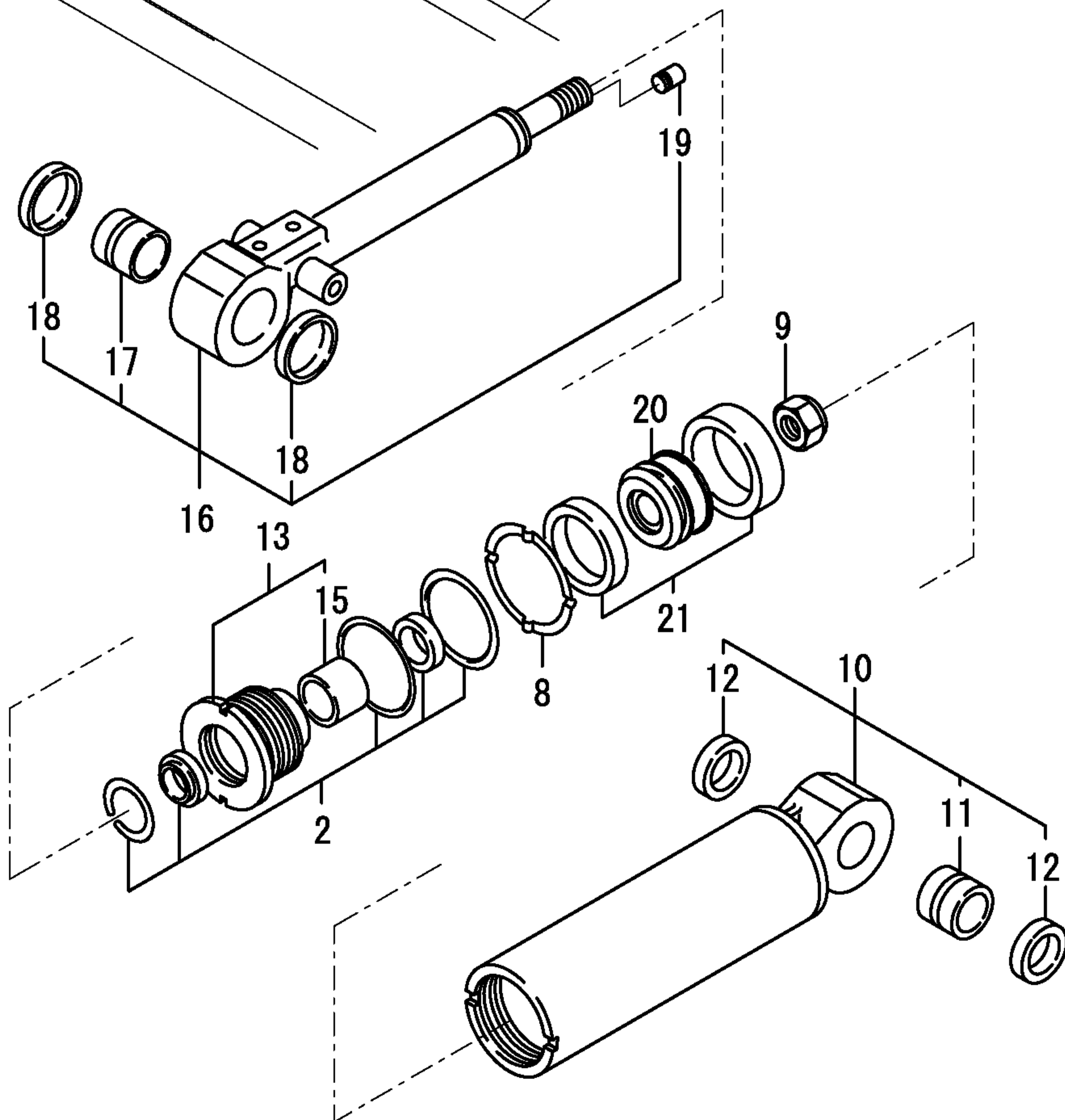
見出しNO. 1は  
見出しNO. 2から21を含みます。  
1 inc. 2~21.



1,1,,172458-72610,, "CYLINDER, BLADE",,1,1,,,,,,,,,,,,,I  
2,2,,172458-72050,, "SEAL SET,HEAD 80X40",,1,1,,,,,,,,,,,,,I  
8,2,,172142-72260,, "WASHER 80 B",,1,1,,,,,,,,,,,,,I  
9,2,,172175-72550,, "U-NUT",,1,1,,,,,,,,,,,,,I  
10,2,,172458-72620,, "TUBE, BLADE",,1,1,,,,,,,,,,,,,I  
11,3,,172168-72410,, "BUSH 40X50X40",,1,1,,,,,,,,,,,,,I  
12,3,,172165-81750,, "SEAL 40X50X5, DUST",,2,,,,,,,,,,,,,I  
12-1,3,,172448-72650,, "SEAL  
40X50X4,DUST",,2,2,,,,,R,,,,,72449038,M/#36637,,,,,,,,,I  
13,2,,172142-72640,, "HEAD 80 40 W/BUSH",,1,1,,,,,,,,,,,,,I  
15,3,,933135-14600,, "BUSH 40 30, ROD",,1,,,,,,,,,,,,,I  
15-1,3,,24550-040300,, "BUSH 40X30",,1,1,,,,,R,,,,,A1686116,M/#36588,,,,,,,,,I  
16,2,,172458-72650,, "ROD ASSY,BLADE",,1,1,,,,,,,,,,,,,I  
17,3,,172168-72410,, "BUSH 40X50X40",,1,1,,,,,,,,,,,,,I  
18,3,,172165-81750,, "SEAL 40X50X5, DUST",,2,,,,,,,,,,,,,I  
18-1,3,,172448-72650,, "SEAL  
40X50X4,DUST",,2,2,,,,,R,,,,,72449038,M/#36637,,,,,,,,,I  
19,3,,23871-005000,, "PLUG PT 1/16",,1,1,,,,,,,,,,,,,I  
20,2,,172458-72670,, "PISTON",,1,1,,,,,,,,,,,,,I  
21,2,,172142-72950,, "SEAL SET, PISTON",,1,,,,,,,,,,,,,I  
21-1,2,,172142-72951,, "SEAL SET,  
PISTON",,1,1,,,,,N,,,,,72458500,M/#36670,,,,,,,,,I  
24,1,,172422-72790,, "COVER,BLADE(GREEN:88",,1,1,,,,,,,,,,,,,I  
25,1,,22157-100000,, "WASHER 10",,2,2,,,,,,,,,,,,,I  
26,1,,26013-100202,, "BOLT W/WASHER M10X20",,2,2,,,,,,,,,,,,,I

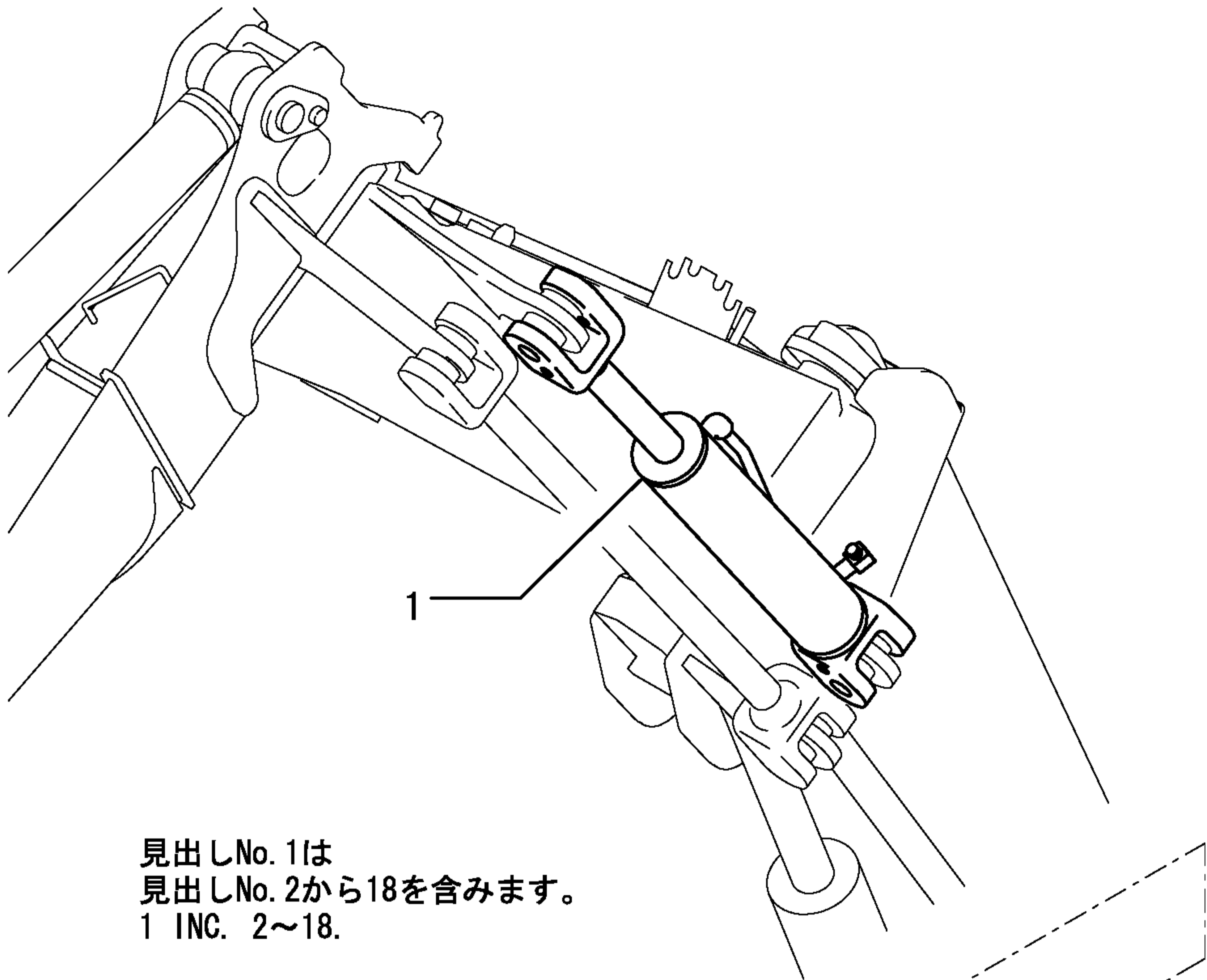


見出しNO. 1は  
見出しNO. 2から21を含みます。  
1 inc. 2~21.

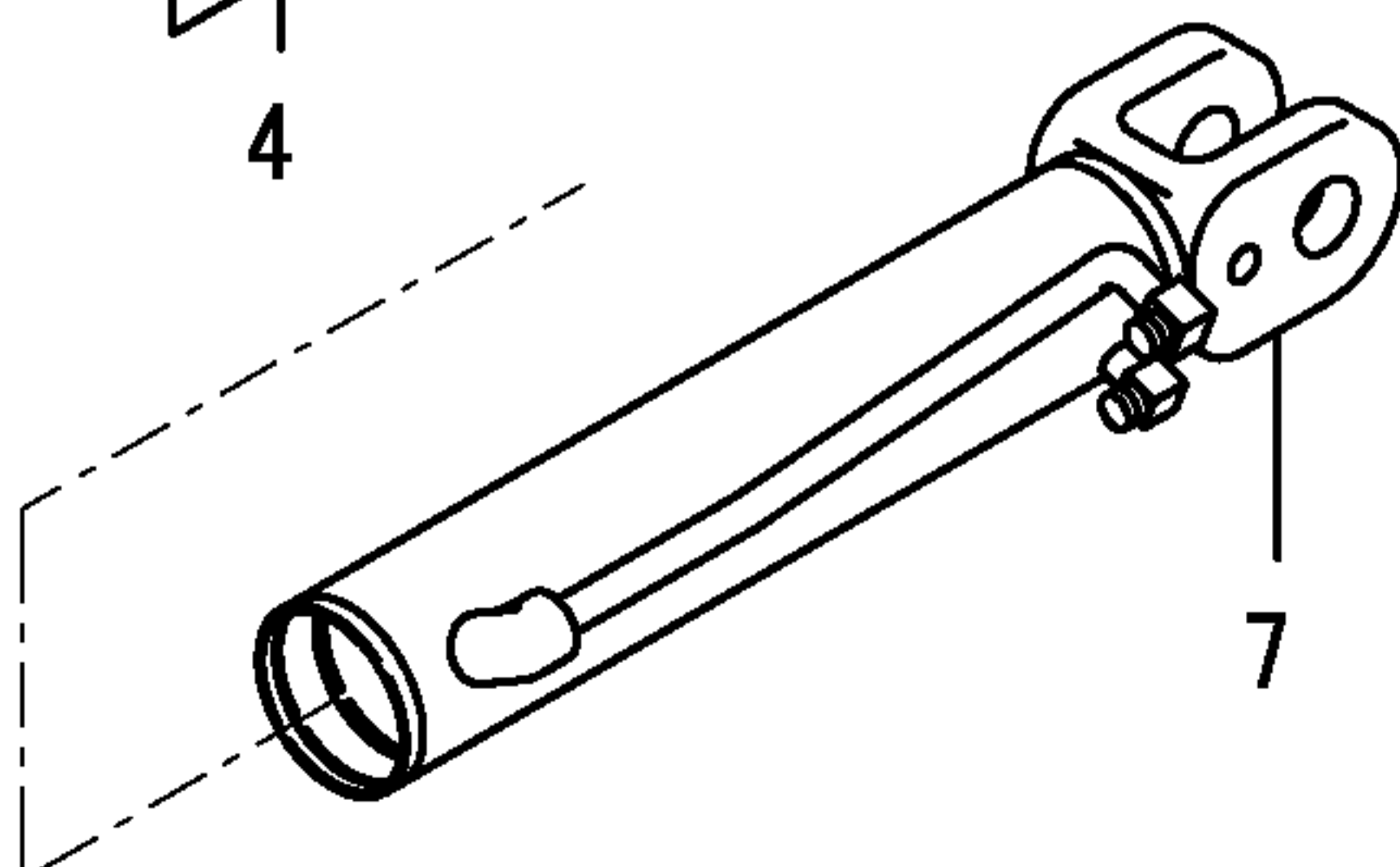
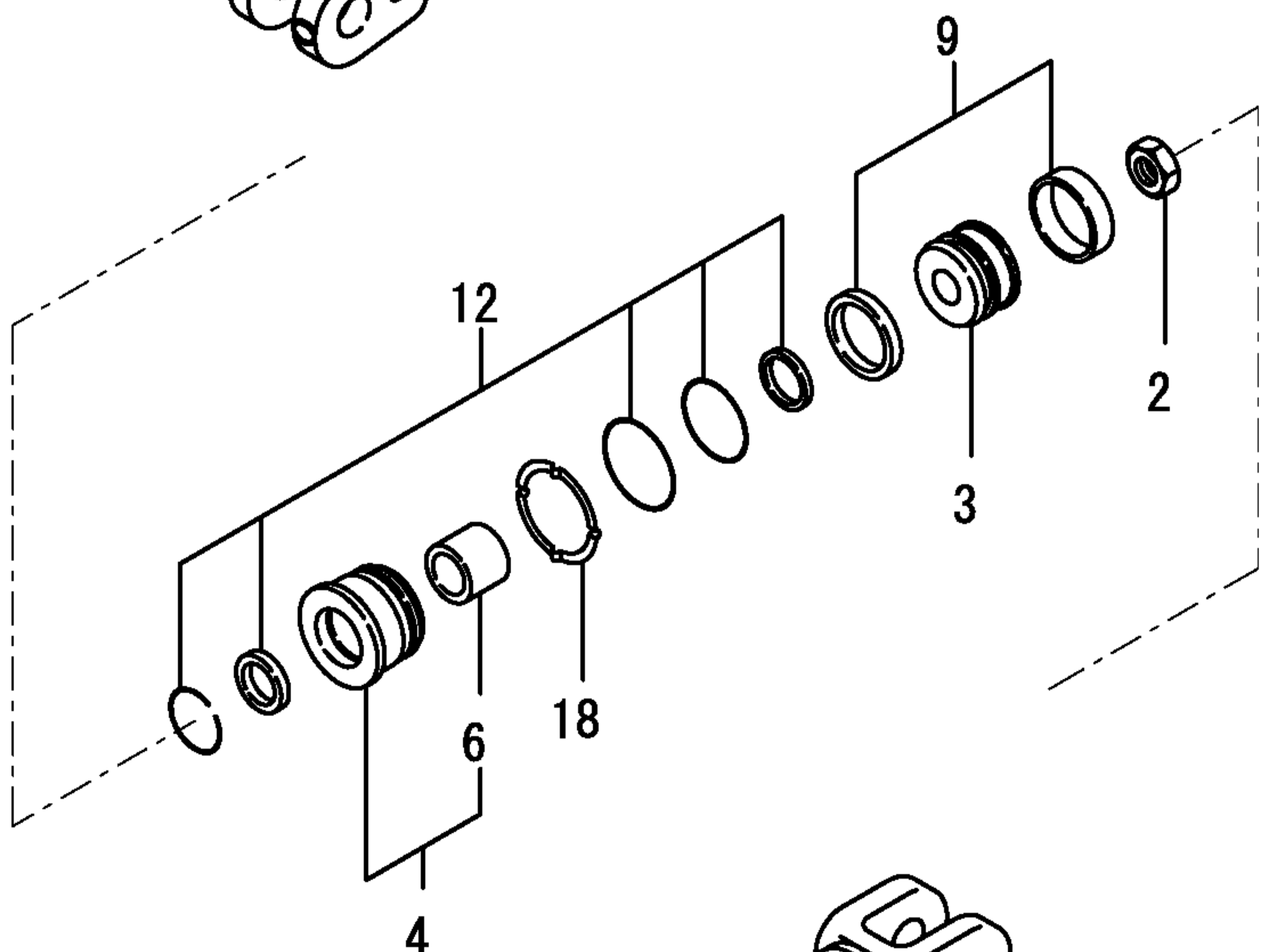
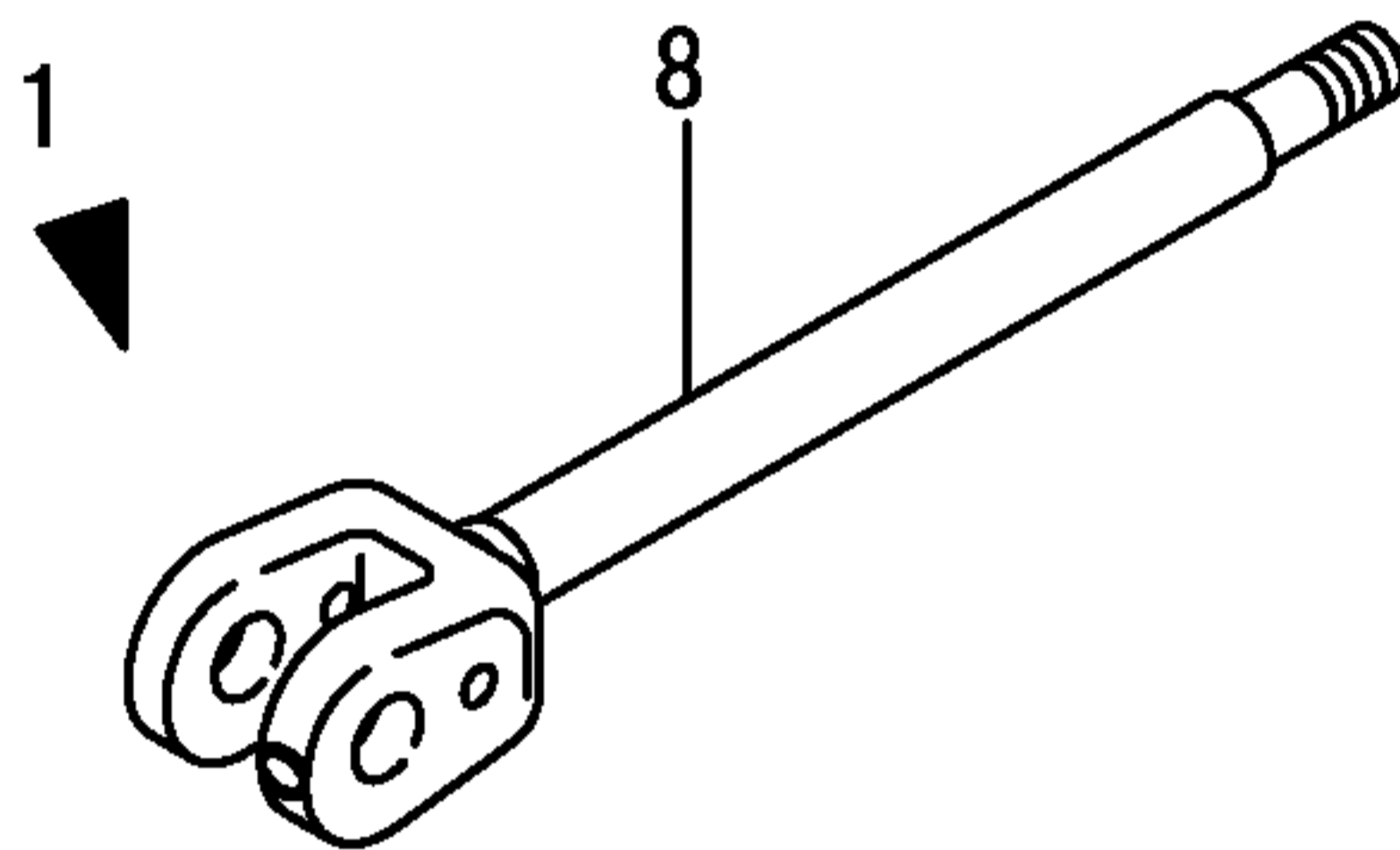




1,1,,172444-72700,, "CYLINDER ASSY,OFFSET",1,1,1,,,,,,,,,,,,,  
2,2,,172175-72550,, U-NUT,1,1,1,,,,,,,,,,,,,  
3,2,,172175-72540,, "PISTON 75",1,1,1,,,,,,,,,,,,,  
4,2,,172141-72690,, "HEAD 75 40 W/BUSH",1,1,1,,,,,,,,,,,,,  
6,3,,933135-14600,, "BUSH 40 30, ROD",1,1,,,,,,,,,,,,,  
6-1,3,,24550-040300,, "BUSH 40X30",1,1,,,,,R,,,,,A1686116,M/#36588,,,,,,,,,I  
7,2,,172444-72710,, "TUBE,OFFSET(GREEN:97",1,1,1,,,,,,,,,,,,,  
8,2,,172444-72740,, ROD,1,1,1,,,,,,,,,,,,,  
9,2,,172444-72960,, "PISTON SEAL SET",1,1,,,,,,,,,,,,,  
9-1,2,,172444-72961,, "PISTON SEAL SET",1,1,,,,,N,,,,,72458500,M/#36670,,,,,,,,,I  
12,2,,172444-72680,, "HEAD SEAL SET",1,,,,,,,,,M,,,,,,,,,  
12-1,2,,172444-72940,, "SEAL KIT",1,1,1,,,,,,,,,,,,,  
18,2,,172141-72190,, "WASHER 75",1,1,1,,,,,,,,,,,,,

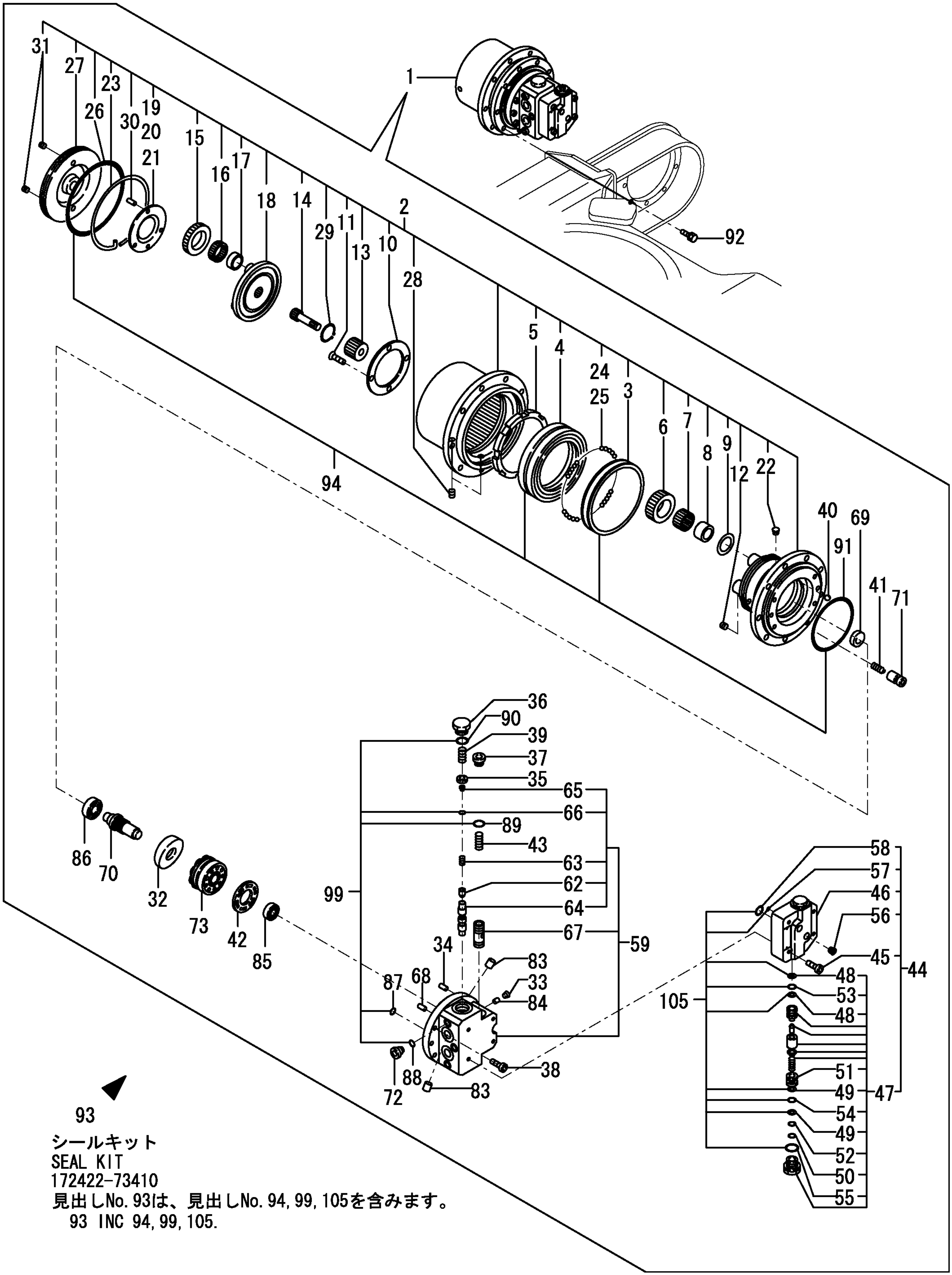


見出しNo. 1は  
見出しNo. 2から18を含みます。  
1 INC. 2~18.



1,1,,172422-73300,, "MOTOR, TRAVEL",2,2,2,,,,,,,,,,,,,,,,,,,,,  
2,2,,172175-70100,, REDUCTION,2,2,2,,,,,,,,,,,,,,,,,,,,,  
3,3,,172141-70020,, "SEAL, FLOATING",2,2,2,,,,,,,,,,,,,,,,,,,,,  
4,3,,172141-70030,, "BEARING, ANGULAR",2,2,2,,,,,,,,,,,,,,,,,,,,,  
5,3,,172141-70040,, "NUT, RING",2,2,2,,,,,,,,,,,,,,,,,,,,,  
6,3,,172141-70060,, "GEAR(B), PLANETARY",8,8,8,,,,,,,,,,,,,,,,,,,,,I  
7,3,,172141-70070,, "CAGE & ROLLER",8,8,8,,,,,,,,,,,,,,,,,,,,,I  
8,3,,172141-70080,, COLLAR,8,8,8,,,,,,,,,,,,,,,,,,,,,I  
9,3,,172141-70090,, "WASHER, THRUST",8,8,8,,,,,,,,,,,,,,,,,,,,,I  
10,3,,172141-70100,, "PLATE, THRUST",2,2,2,,,,,,,,,,,,,,,,,,,,,I  
11,3,,172141-70110,, SCREW,8,8,8,,,,,,,,,,,,,,,,,,,,,  
12,3,,172175-70110,, PLUG,4,4,4,,,,,,,,,,,,,,,,,,,,,I  
13,3,,172141-70120,, "GEAR, SUN",2,2,2,,,,,,,,,,,,,,,,,,,,,I  
14,3,,172175-70120,, "GEAR, DRIVE",2,2,2,,,,,,,,,,,,,,,,,,,,,I  
15,3,,172141-70130,, HOLDER,2,2,2,,,,,,,,,,,,,,,,,,,,,I  
16,3,,172141-70140,, "GEAR(A), PLANETARY",6,6,6,,,,,,,,,,,,,,,,,,,,,I  
17,3,,172141-70150,, "GAUGE, W/ROLLER",6,6,6,,,,,,,,,,,,,,,,,,,,,I  
18,3,,172141-70160,, "RACE, INNER",6,6,6,,,,,,,,,,,,,,,,,,,,,I  
19,3,,172141-70180,, "PLATE(T1.8), THRUST",2,2,2,,,,,,,,,,,,,,,,,,,,,  
20,3,,172141-70190,, "PLATE(T2.3), THRUST",2,2,2,,,,,,,,,,,,,,,,,,,,,  
21,3,,172141-70200,, "PLATE(T2.8), THRUST",2,2,2,,,,,,,,,,,,,,,,,,,,,  
22,3,,172147-70220,, PLUG,4,4,4,,,,,,,,,,,,,,,,,,,,,I  
23,3,,172141-70230,, WIRE,2,2,2,,,,,,,,,,,,,,,,,,,,,  
24,3,,172122-70350,, BALL,132,132,132,,,,,,,,,,,,,,,,,,,,,  
25,3,,172122-70350,, BALL,132,132,132,,,,,,,,,,,,,,,,,,,,,  
26,3,,172162-70820,, O-RING,2,2,2,,,,,,,,,,,,,,,,,,,,,  
27,3,,172168-71840,, COVER,2,2,2,,,,,,,,,,,,,,,,,,,,,I  
28,3,,172122-73430,, PLUG,4,4,4,,,,,,,,,,,,,,,,,,,,,I  
29,3,,22242-000350,, "CIRCLIP 35",2,2,2,,,,,,,,,,,,,,,,,,,,,  
30,3,,22351-050016,, "SPRING PIN 5X16",6,6,6,,,,,,,,,,,,,,,,,,,,,I  
31,3,,23871-030000,, "PLUG PT3/8,SCREW",6,6,6,,,,,,,,,,,,,,,,,,,,,I  
32,2,,172175-70130,, PLATE,2,2,2,,,,,,,,,,,,,,,,,,,,,I  
33,2,,172147-70220,, PLUG,6,6,6,,,,,,,,,,,,,,,,,,,,,I  
34,2,,172122-70410,, PIN,4,4,4,,,,,,,,,,,,,,,,,,,,,I  
35,2,,172122-70460,, "SPRING SEAT",4,4,4,,,,,,,,,,,,,,,,,,,,,I  
36,2,,172147-70460,, CAP,4,4,4,,,,,,,,,,,,,,,,,,,,,I  
37,2,,172147-70500,, PLUG,4,4,4,,,,,,,,,,,,,,,,,,,,,I  
38,2,,172122-70540,, "BOLT, SOCKET",12,12,12,,,,,,,,,,,,,,,,,,,,,  
39,2,,172122-70840,, SPRING,4,4,4,,,,,,,,,,,,,,,,,,,,,I  
40,2,,172168-71870,, BALL,4,4,4,,,,,,,,,,,,,,,,,,,,,I  
41,2,,172168-71950,, SPRING,4,4,4,,,,,,,,,,,,,,,,,,,,,I  
42,2,,172638-73330,, PLATE,2,2,2,,,,,,,,,,,,,,,,,,,,,I  
43,2,,172422-73360,, SPRING,2,2,2,,,,,,,,,,,,,,,,,,,,,I  
44,2,,172422-73370,, VALVE,2,2,2,,,,,,,,,,,,,,,,,,,,,  
45,3,,172148-70350,, BOLT,8,8,8,,,,,,,,,,,,,,,,,,,,,  
46,3,,172168-71990,, "VALVE BODY",2,2,2,,,,,,,,,,,,,,,,,,,,,  
47,3,,172422-73400,, "VALVE , RELIEF",4,4,4,,,,,,,,,,,,,,,,,,,,,  
48,4,,172147-70580,, "RING P12 T2, BACK UP",8,8,8,,,,,,,,,,,,,,,,,,,,,  
49,4,,172147-70600,, "RING P15,T3,BACKUP",8,8,8,,,,,,,,,,,,,,,,,,,,,  
50,4,,172147-70610,, SHIM,4,4,4,,,,,,,,,,,,,,,,,,,,,  
51,4,,172162-70750,, PISTON,4,4,4,,,,,,,,,,,,,,,,,,,,,  
52,4,,172422-73380,, SHIM,4,4,4,,,,,,,,,,,,,,,,,,,,,  
53,4,,24315-000120,, "O-RING 1B P-12.0",4,4,4,,,,,,,,,,,,,,,,,,,,,  
54,4,,24315-000150,, "O-RING 1B P-15.0",4,4,4,,,,,,,,,,,,,,,,,,,,,  
55,4,,24315-000240,, "O-RING 1B P-24.0",4,4,4,,,,,,,,,,,,,,,,,,,,,  
56,3,,23871-020000,, "PLUG PT1/4,SCREW",4,4,4,,,,,,,,,,,,,,,,,,,,,  
57,3,,24315-000070,, "O-RING 1B P-7.0",6,6,6,,,,,,,,,,,,,,,,,,,,,  
58,3,,24315-000160,, "O-RING 1B P-16.0",4,4,4,,,,,,,,,,,,,,,,,,,,,  
59,2,,172422-73390,, "BASE PLATE KIT",2,2,2,,,,,,,,,,,,,,,,,,,,,I  
62,4,,172122-70430,, "VALVE, CHECK",4,4,4,,,,,,,,,,,,,,,,,,,,,I  
63,4,,172122-70440,, SPRING,4,4,4,,,,,,,,,,,,,,,,,,,,,I  
64,4,,172422-73330,, PLUNGER,2,2,2,,,,,,,,,,,,,,,,,,,,,I  
65,4,,172422-73340,, PLUG,4,4,4,,,,,,,,,,,,,,,,,,,,,I

66,4,,24315-000100,, "O-RING 1B P-10.0",4,4,4,,,,,,,,,,,,,  
67,3,,172422-73350,,SPOOL,2,2,2,,,,,,,,,,,,,I  
68,2,,172122-73470,,PIN,2,2,2,,,,,,,,,,,,,I  
69,2,,172638-73540,, "SEAL, OIL",2,2,2,,,,,,,,,,,,,  
70,2,,172183-73670,,SHAFT,2,2,2,,,,,,,,,,,,,  
71,2,,172183-73700,, "PISTON ASSY.",4,4,4,,,,,,,,,,,,,I  
72,2,,172183-73770,,PLUG,4,4,4,,,,,,,,,,,,,I  
73,2,,172183-73910,, "BLOCK KIT,CYLINDER",2,2,2,,,,,,,,,,,,,  
83,2,,172312-74790,,ORIFICE,4,4,4,,,,,,,,,,,,,  
84,2,,172312-74790,,ORIFICE,8,8,8,,,,,,,,,,,,,  
85,2,,24101-060024,, "BALL BEARING",2,2,2,,,,,,,,,,,,,  
86,2,,24101-060044,, "BALL BEARING #6004",2,2,2,,,,,,,,,,,,,  
87,2,,24315-000070,, "O-RING 1B P-7.0",6,6,6,,,,,,,,,,,,,  
88,2,,24315-000110,, "O-RING 1B P-11.0",4,4,4,,,,,,,,,,,,,  
89,2,,24315-000140,, "O-RING 1B P-14.0",4,4,4,,,,,,,,,,,,,  
90,2,,24315-000290,, "O-RING 1B P-29.0",4,4,4,,,,,,,,,,,,,  
91,2,,24321-001200,, "O-RING 1A G-120.0",2,2,2,,,,,,,,,,,,,  
92,1,,26013-120302,, "BOLT W/WASHER M12X30",18,18,18,,,,,,,,,,,,,  
93,1,,172422-73410,, "SEAL KIT",2,2,2,,,,,,,,,,,,,I  
94,2,,772422-73310,, "SEAL KIT",1,1,1,,,,,,,,,,,,,I  
99,2,,772422-73340,, "SEAL KIT",1,1,1,,,,,,,,,,,,,I  
105,2,,772422-73350,, "SEAL KIT,VALVE",1,1,1,,,,,,,,,,,,,I

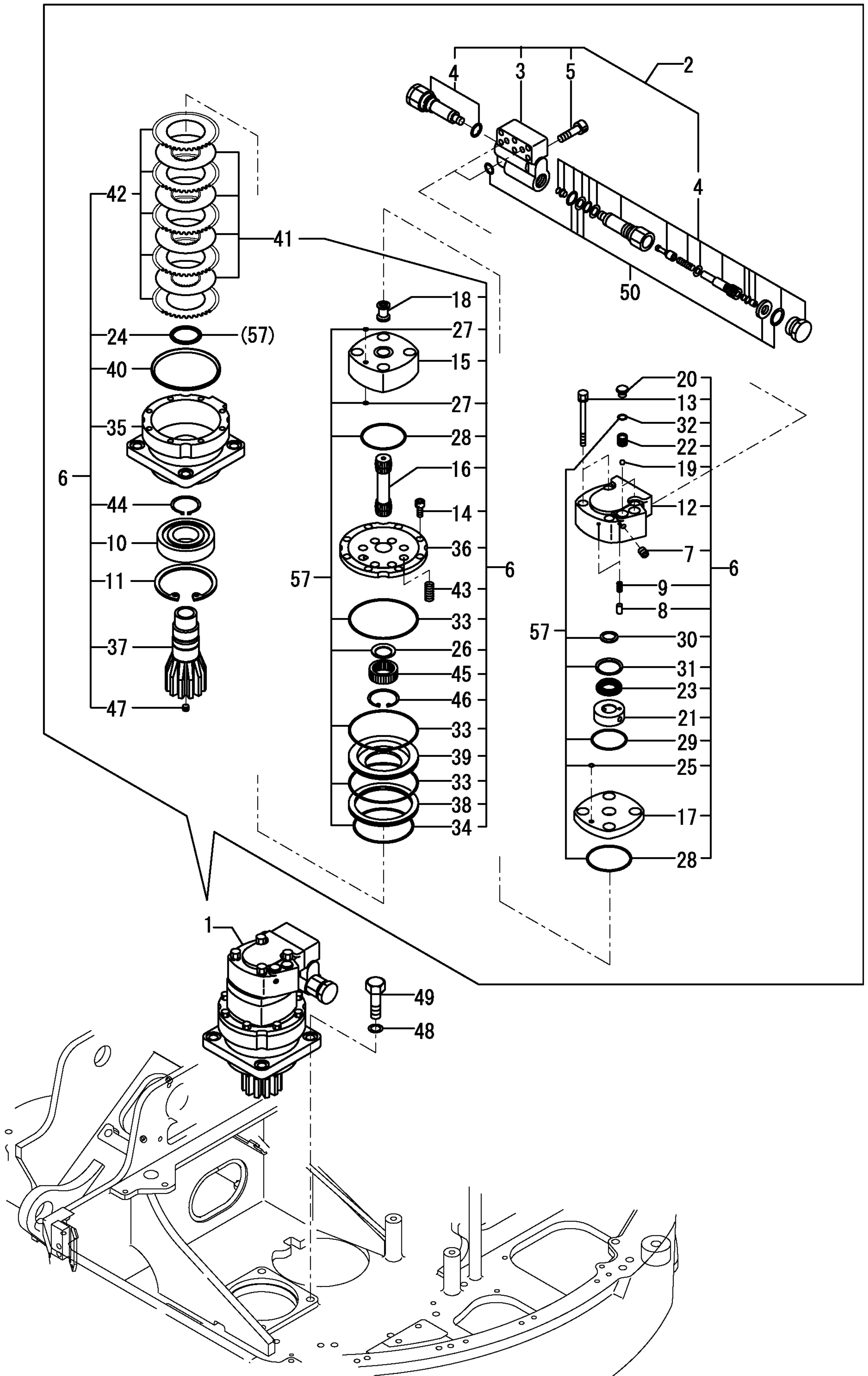


93  
 シールキット  
 SEAL KIT  
 172422-73410

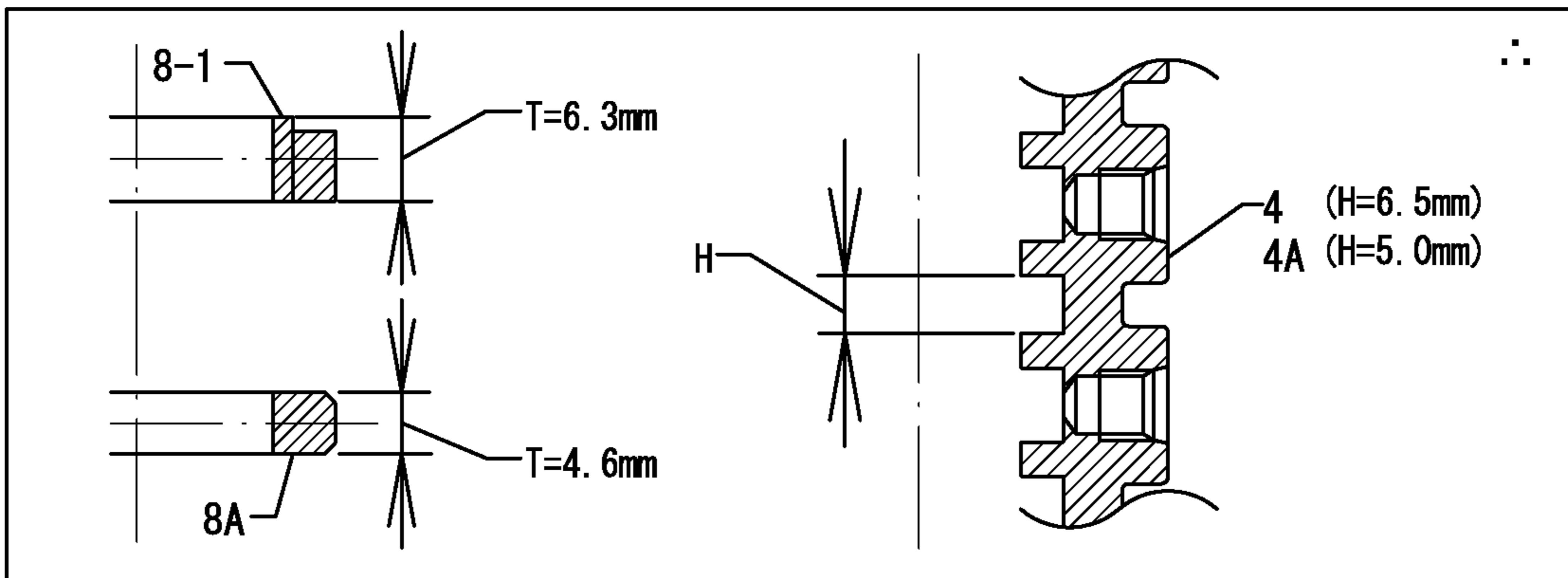
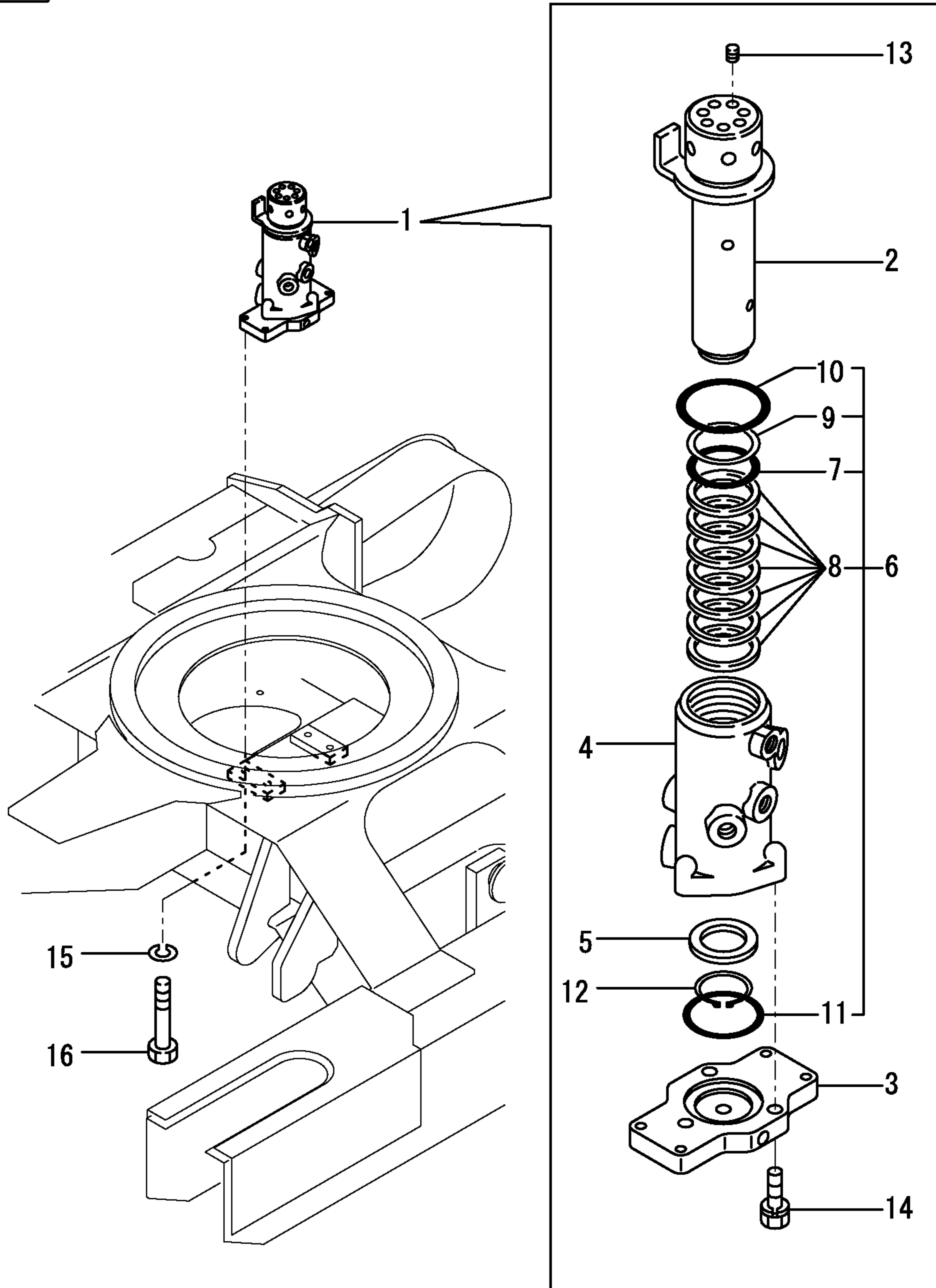
見出しNo. 93は、見出しNo. 94, 99, 105を含みます。  
 93 INC 94, 99, 105.

1,1,,172444-73310,, "MOTOR ASSY, SWING",1,,,,,,,,,,,,,  
1-1,1,,172444-73311,, "MOTOR ASSY, SWING",1,1,1,,,,,N,,72444272,M/#30539,,,,,,,,,  
2,2,,172444-73320,, VALVE,1,1,1,,,,,,,,,,,,,  
3,3,,172183-73330,, "VALVE BODY",1,1,1,,,,,,,,,,,,,I  
4,3,,172444-73330,, CARTRIDGE,2,2,2,,,,,,,,,,,,,  
5,3,,172168-73370,, BOLT,6,6,6,,,,,,,,,,,,,  
6,2,,172175-73371,, "MOTOR COMP.",1,,,,,,,,,,,,,  
6-1,2,,172175-73372,, "MOTOR ASSY, SWING",1,1,1,,,,,N,,72444272,M/#30539,,,,,,,,,  
7,3,,172137-70490,, PLUG,1,1,1,,,,,,,,,,,,,I  
8,3,,172137-70570,, PIN,2,2,2,,,,,,,,,,,,,I  
9,3,,172137-70580,, SPRING,2,2,2,,,,,,,,,,,,,I  
10,3,,172168-73430,, "BEARING, BALL",1,1,1,,,,,,,,,,,,,  
11,3,,172168-73450,, "CIRE CLIP(H)",1,1,1,,,,,,,,,,,,,  
12,3,,172175-73500,, "VALVE HOUSING",1,1,1,,,,,,,,,,,,,I  
13,3,,172175-73520,, BOLT,4,4,4,,,,,,,,,,,,,  
14,3,,172175-73540,, BOLT,8,8,8,,,,,,,,,,,,,  
15,3,,172168-73550,, ROLLER,1,1,1,,,,,,,,,,,,,I  
16,3,,172175-73550,, DRIVE,1,1,1,,,,,,,,,,,,,I  
17,3,,172175-73560,, "VALVE PLATE",1,1,1,,,,,,,,,,,,,I  
18,3,,172175-73570,, "VALVE DRIVE",1,1,1,,,,,,,,,,,,,I  
19,3,,172168-73580,, BALL,2,2,2,,,,,,,,,,,,,I  
20,3,,172168-73590,, PLUG,2,2,2,,,,,,,,,,,,,I  
21,3,,172173-73590,, HOLDER,1,1,1,,,,,,,,,,,,,I  
22,3,,172168-73600,, SPRING,2,2,2,,,,,,,,,,,,,I  
23,3,,172173-73600,, RING,1,1,1,,,,,,,,,,,,,I  
24,4,,172175-73530,, X-RING,1,1,1,,,,,,,,,,,,,I  
25,4,,172312-73620,, O-RING,1,1,1,,,,,,,,,,,,,I  
26,4,,172168-73650,, SEAL,1,1,1,,,,,,,,,,,,,I  
27,4,,172168-73680,, O-RING,2,2,2,,,,,,,,,,,,,I  
28,4,,172168-73700,, O-RING,2,2,2,,,,,,,,,,,,,I  
29,4,,172141-77170,, O-RING,1,1,1,,,,,,,,,,,,,I  
30,4,,172141-77210,, "INNER FACE SEAL",1,1,1,,,,,,,,,,,,,I  
31,4,,172141-77230,, "SEAL, OUTER FACE",1,1,1,,,,,,,,,,,,,I  
32,4,,24315-000140,, "O-RING 1B P-14.0",2,2,2,,,,,,,,,,,,,I  
33,4,,24325-001400,, "O-RING 1B G-140.0",3,3,3,,,,,,,,,,,,,I  
34,4,,24325-001200,, "O-RING BG120.0",1,1,1,,,,,,,,,,,,,I  
35,3,,172175-73640,, "BEARING HOUSING",1,1,1,,,,,,,,,,,,,I  
36,3,,172175-73650,, FLANGE,1,1,1,,,,,,,,,,,,,I  
37,3,,172175-73660,, GEAR,1,1,1,,,,,,,,,,,,,  
38,3,,172175-73670,, RING,1,1,1,,,,,,,,,,,,,I  
39,3,,172175-73750,, RING,1,1,1,,,,,,,,,,,,,I  
40,3,,172175-73760,, PLATE,1,1,1,,,,,,,,,,,,,I  
41,3,,172175-73770,, PLATE,4,,,,,,,,,,,,,  
41-1,3,,172175-73771,, PLATE,4,4,4,,,,,S,,72444272,M/#30539,,,,,,,,,  
42,3,,172175-73780,, PLATE,4,,,,,,,,,,,,,  
42-1,3,,172175-73780,, PLATE,5,5,5,,,,,K,,72444272,M/#30539,,,,,,,,,  
43,3,,172175-73790,, "SPRING, COIL",8,,,,,,,,,,,,,  
43-1,3,,172175-73790,, "SPRING, COIL",12,12,12,,,,,K,,72444272,M/#30539,,,,,,,,,  
44,3,,172175-73800,, CIRCLIP,1,1,1,,,,,,,,,,,,,  
45,3,,172175-73810,, "REAR BEARING",1,1,1,,,,,,,,,,,,,  
46,3,,172175-73820,, CIRCLIP,1,1,1,,,,,,,,,,,,,  
47,3,,172141-77400,, "PLUG, BLIND",1,1,1,,,,,,,,,,,,,  
48,1,,22217-160000,, "SPRING WASHER 16",4,4,4,,,,,,,,,,,,,  
49,1,,26116-160502,, "BOLT M16X 50 PLATED",4,4,4,,,,,,,,,,,,,  
50,1,,172168-73360,, "SEAL KIT",1,1,1,,,,,,,,,,,,,  
57,1,,172168-73641,, "SEAL KIT",1,1,1,,,,,,,,,,,,,





1,1,,172444-73800,, "JOINT, SWIVEL",1,,,,,,,,,,,,,  
1-1,1,,172444-73801,, "JOINT ASSY, SWIVEL",1,,,,,,N,,72422127,M/#30987,,,,,,,,,  
1A,1,,172444-73802,, "JOINT ASSY, SWIVEL",,1,1,,,,,1,,,,,,,,,,,,,I  
2,2,,172444-73810,, "SHAFT, SWIVEL",1,1,1,,,,,,,,,,,,,  
3,2,,172444-73840,, "FLANGE, SWIVEL",1,1,1,,,,,,,,,,,,,  
4,2,,172444-73830,, "HUB, SWIVEL",1,,,,,,,,,,,,,  
4A,2,,172444-73831,, "HUB, SWIVEL",,1,1,,,,,2,,,,,,,,,,,,,I  
5,2,,172137-73860,, "SPACER, SWIVEL",1,1,1,,,,,,,,,,,,,  
6,2,,172148-73880,, "SEAL KIT, SWIVEL",1,,,,,,,,,,,,,  
6-1,2,,172148-73881,, "SEAL KIT",1,,,,,,N,,72422127,M/#30987,,,,,,,,,I  
6A,2,,172444-73880,, "SEAL KIT,SWIVEL",,1,1,,,,,,,,,,,,,I  
7,3,,172142-73800,, "O-RING 55.76X5.7",1,1,1,,,,,,,,,,,,,  
8,3,,172148-73860,, "SEAL STK",7,,,,,,,,,,,,,  
8-1,3,,172148-73861,, SEAL,7,,,,,,N,,72422127,M/#30987,,,,,,,,,  
8A,3,,172458-73820,, "SEAL, SWIVEL",,7,7,,,,,2,,,,,,,,,,,,,I  
9,3,,172148-73870,, "RING EL, BACK UP",1,1,1,,,,,,,,,,,,,  
10,3,,24311-000750,, "O-RING 1A P-75.0",1,1,1,,,,,,,,,,,,,  
11,3,,24321-000700,, "O-RING 1A G70.0,NBR",1,1,1,,,,,,,,,,,,,  
12,2,,22242-000451,, "CIRCLIP 45",1,1,1,,,,,,,,,,,,,  
13,2,,23871-020000,, "PLUG PT1/4,SCREW",7,7,7,,,,,,,,,,,,,  
14,2,,26013-100352,, "BOLT M10X 35",3,3,3,,,,,,,,,,,,,  
15,1,,22217-100000,, "SPRING WASHER 10",4,4,4,,,,,,,,,,,,,  
16,1,,26116-100652,, "BOLT M10X 65 PLATED",4,4,4,,,,,,,,,,,,,



∴印が今回追記した個所です。  
 ∴.MARKED PART HAS BEEN ADDED.

1,1,,172165-45490,,CUSHION,5,5,5,,,,,,,,,,,,,  
2,1,,172444-45600,,PLATE,1,1,1,,,,,,,,,,,,,  
3,1,,22252-000280,,,"CIRCLIP 28",5,5,5,,,,,,,,,,,,,  
4,1,,26106-100352,,,"BOLT M10X 35 PLATED",5,5,5,,,,,,,,,,,,,  
5,1,,26013-100162,,,"BOLT M10X 16",1,1,1,,,,,,,,,,,,,  
6,1,,26013-100302,,,"BOLT M10X 30",2,2,2,,,,,,,,,,,,,  
7,1,,172444-74100,,,"VALVE,CONTROL",1,1,1,,,,,,,,,,,,,  
8,2,,172422-74110,,NUT,6,6,6,,,,,,,,,,,,,  
9,2,,172444-74220,,TIE-ROD,3,3,3,,,,,,,,,,,,,  
10,2,,172422-74130,,,"OUTLET SECTION",1,1,1,,,,,,,,,,,,,  
12,2,,172444-74110,,,"SECTION,BUCKET",1,1,1,,,,,,,,,,,,,  
13,3,,172187-74130,,,"VALVE, ANTI-VOIDE",1,1,1,,,,,,,,,,,,,  
14,4,,172116-74150,,O-RING,1,1,1,,,,,,,,,,,,,  
15,3,,172444-74230,,,"SPOOL SECTION,BUCKET",1,1,1,,,,,,,,,,,,,  
16,4,,172422-74170,,,"SCREW, CAP",1,1,1,,,,,,,,,,,,,I  
17,4,,172422-74180,,,"SEAT, SPRING",2,2,2,,,,,,,,,,,,,I  
18,4,,172422-74190,,SPRING,1,1,1,,,,,,,,,,,,,I  
19,4,,172422-74210,,,"VALVE, LOAD CHECK",1,1,1,,,,,,,,,,,,,I  
20,4,,172422-74220,,O-RING,2,2,2,,,,,,,,,,,,,  
21,4,,172422-74230,,,"BOLTE, SOCKET HEAD",4,4,4,,,,,,,,,,,,,I  
22,4,,172422-74240,,POPPET,1,1,1,,,,,,,,,,,,,I  
23,4,,172614-74280,,,"SPRING, CHECK VALVE",1,1,1,,,,,,,,,,,,,I  
24,4,,172444-74300,,CAP,1,1,1,,,,,,,,,,,,,I  
25,4,,172444-74310,,CAP,1,1,1,,,,,,,,,,,,,I  
26,4,,24321-000550,,,"O-RING 1A G-55.0",1,1,1,,,,,,,,,,,,,  
27,3,,172422-74570,,VALVE,1,1,1,,,,,,,,,,,,,  
28,4,,172116-74150,,O-RING,1,1,1,,,,,,,,,,,,,  
29,4,,24315-000100,,,"O-RING 1B P-10.0",1,1,1,,,,,,,,,,,,,

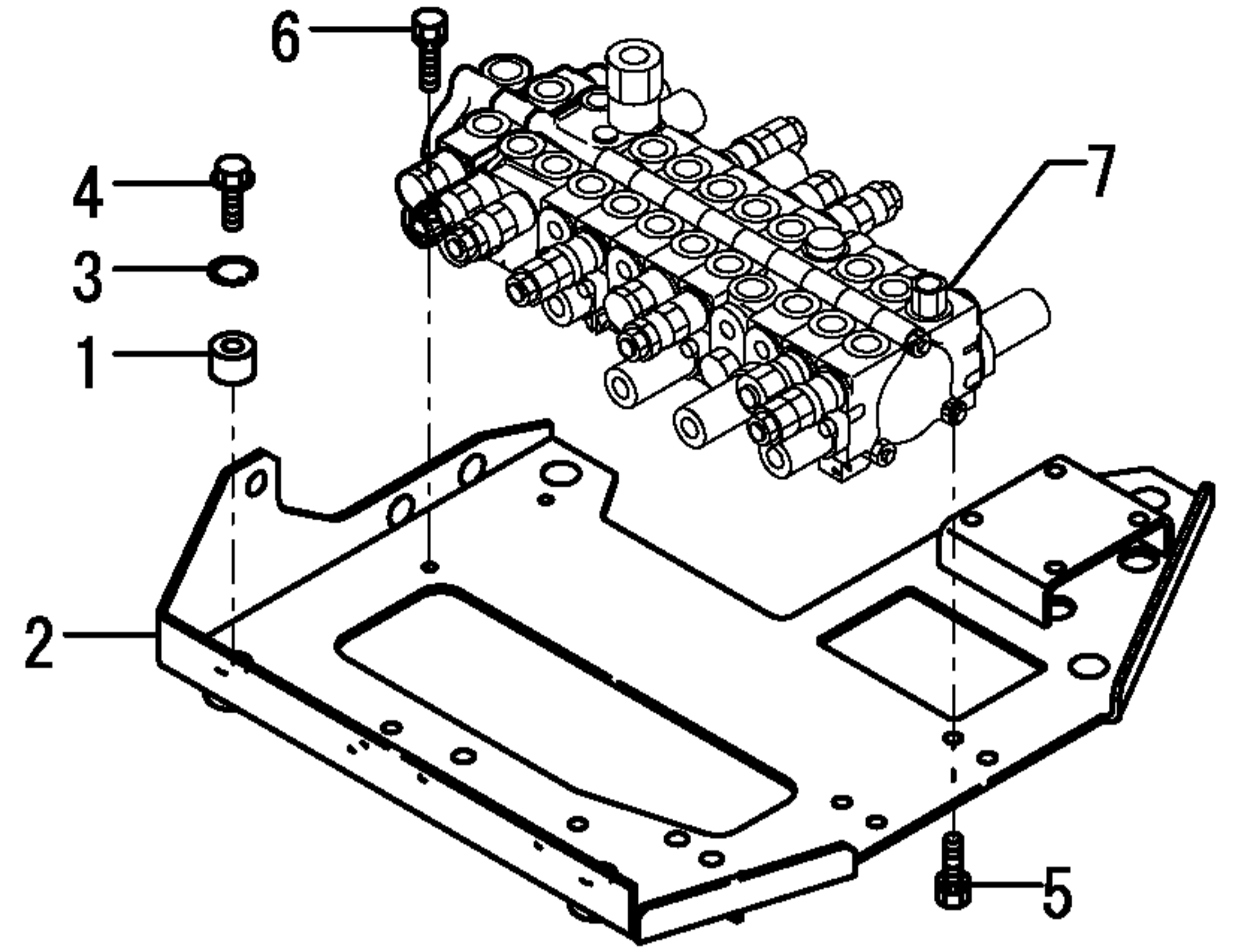
コントロールバルブASSY  
 CONTROL VALVE ASSY  
 172444-74100

項目57の見出しNo. 7は  
 項目57の見出しNo. 8から29と  
 項目58から62を含みます。

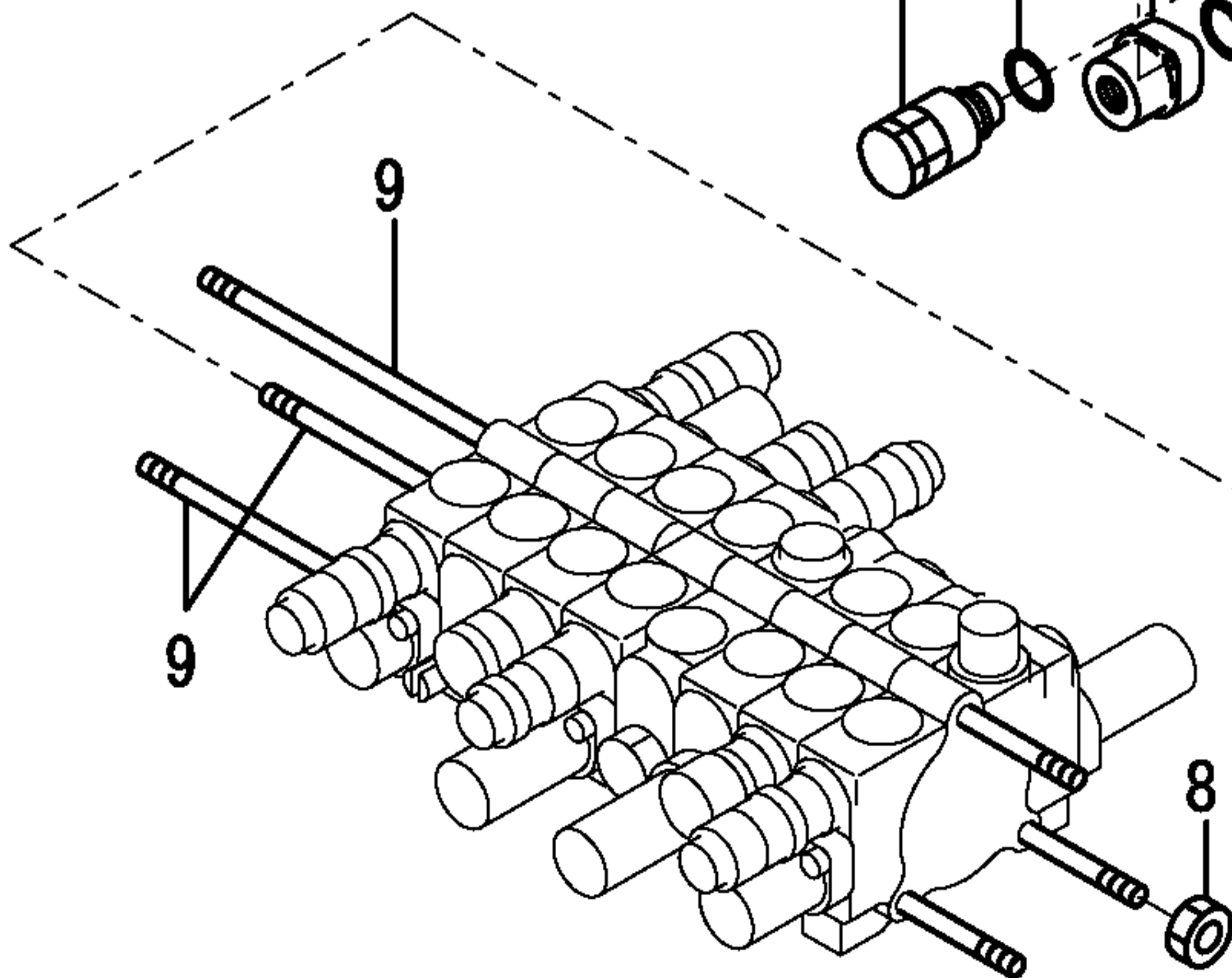
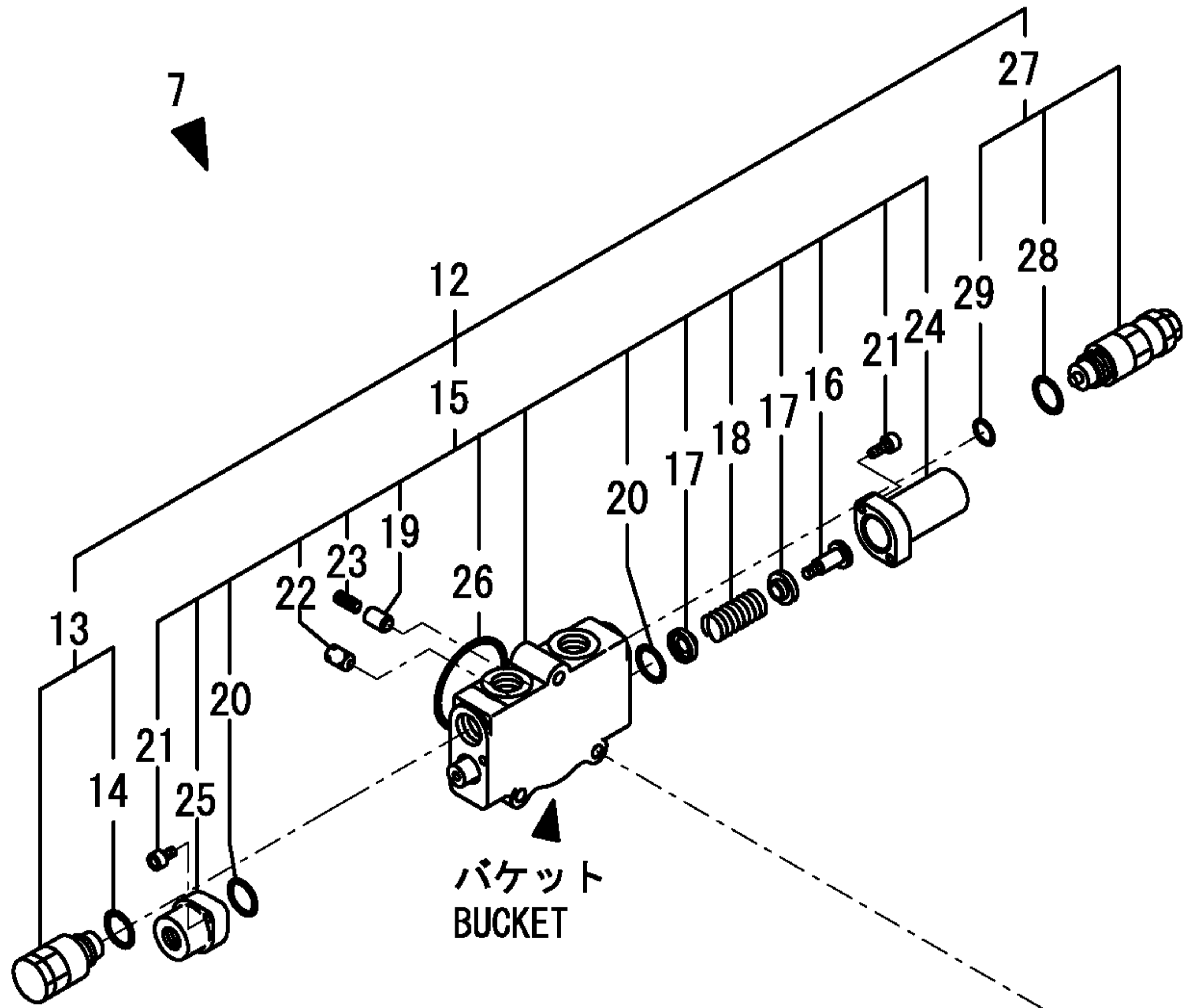
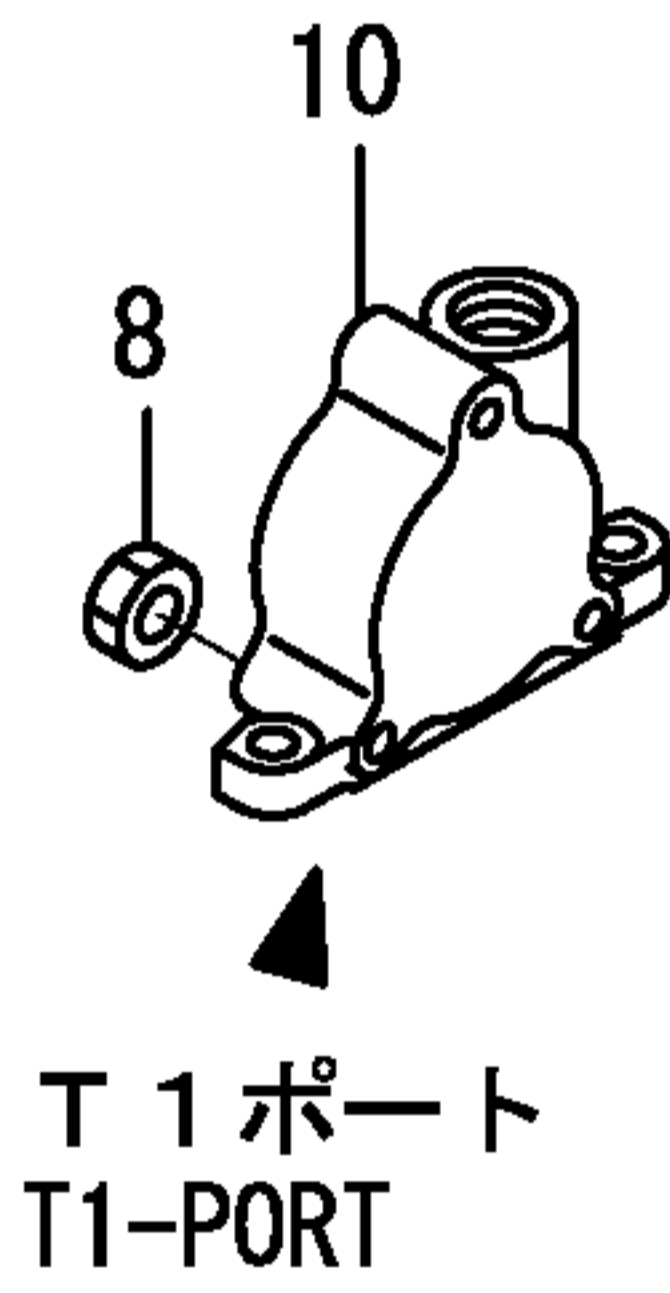
Fig. 57 Ref. No. 7

INC. Fig. 57 Ref. No. 8~29.

Fig. 58~62.



7



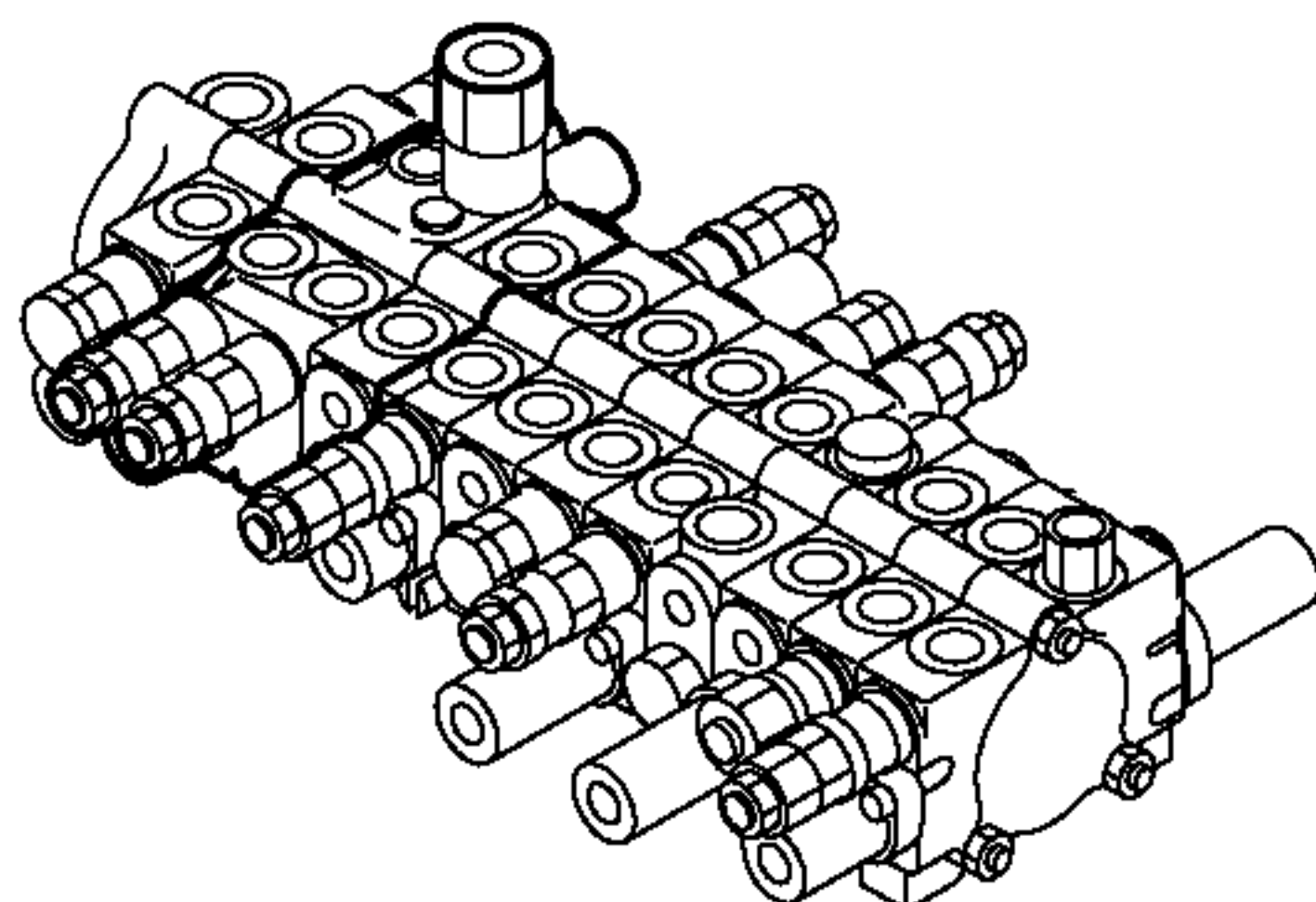
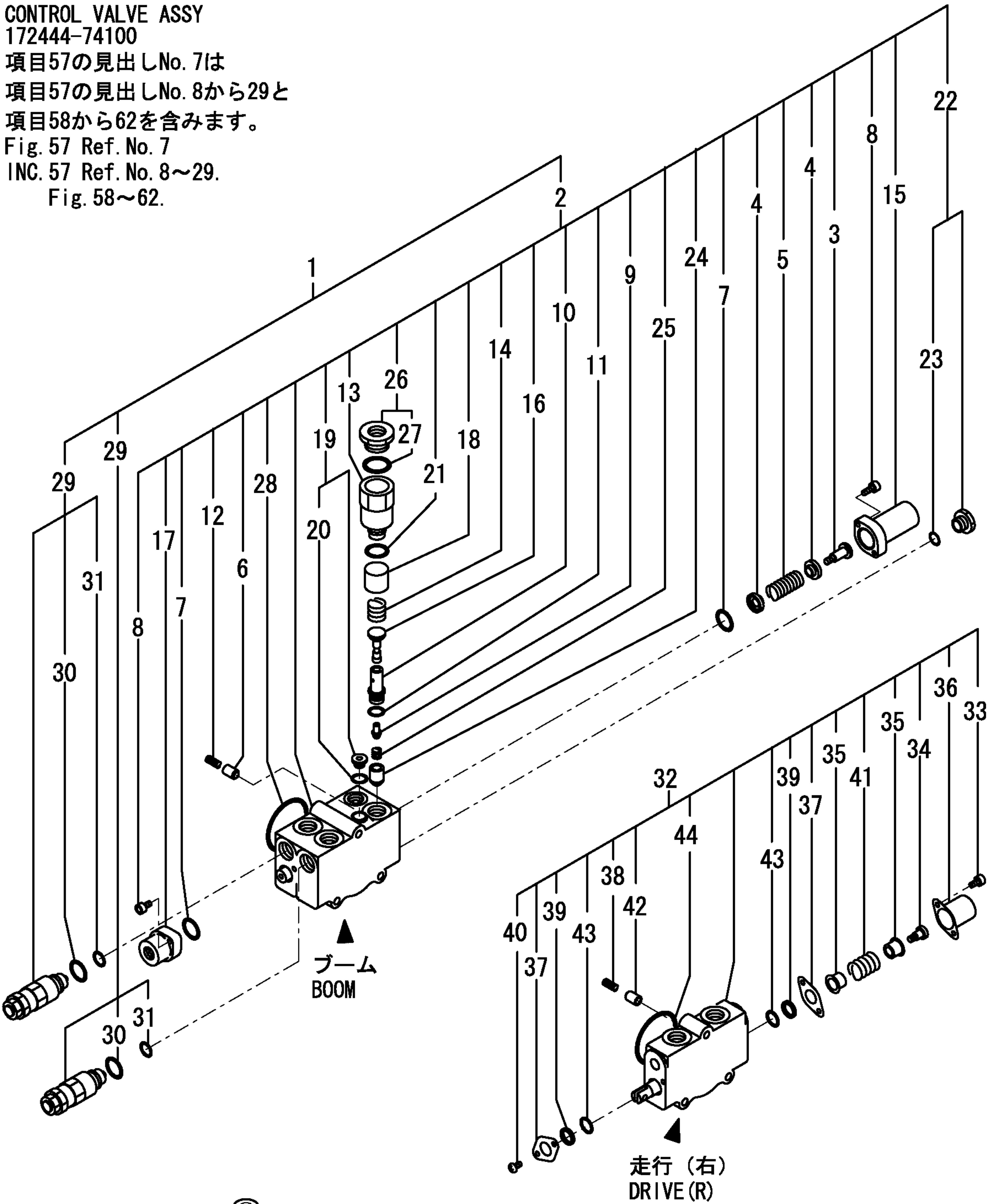
1,2,,172444-74120,, "SECTION,BOOM",1,1,1,,,,,,,,,,,,,  
2,3,,172444-74240,, "SPOOL SECTION,BOOM",1,1,1,,,,,,,,,,,,,  
3,4,,172422-74170,, "SCREW, CAP",1,1,1,,,,,,,,,,,,,I  
4,4,,172422-74180,, "SEAT, SPRING",2,2,2,,,,,,,,,,,,,I  
5,4,,172422-74190,, "SPRING",1,1,1,,,,,,,,,,,,,I  
6,4,,172422-74210,, "VALVE, LOAD CHECK",1,1,1,,,,,,,,,,,,,I  
7,4,,172422-74220,, "O-RING",2,2,2,,,,,,,,,,,,,  
8,4,,172422-74230,, "BOLTE, SOCKET HEAD",4,4,4,,,,,,,,,,,,,I  
9,4,,172422-74260,, "POPPET",1,1,1,,,,,,,,,,,,,I  
10,4,,172422-74270,, "SLEEVE",1,1,1,,,,,,,,,,,,,I  
11,4,,172422-74280,, "O-RING",1,1,1,,,,,,,,,,,,,  
12,4,,172614-74280,, "SPRING, CHECK VALVE",1,1,1,,,,,,,,,,,,,I  
13,4,,172422-74290,, "PLUG",1,1,1,,,,,,,,,,,,,I  
14,4,,172422-74300,, "SPRING",1,1,1,,,,,,,,,,,,,I  
15,4,,172444-74300,, "CAP",1,1,1,,,,,,,,,,,,,I  
16,4,,172422-74310,, "PUSH ROD",1,1,1,,,,,,,,,,,,,I  
17,4,,172444-74310,, "CAP",1,1,1,,,,,,,,,,,,,I  
18,4,,172422-74320,, "PISTON",1,1,1,,,,,,,,,,,,,I  
19,4,,172422-74330,, "PLUG",1,1,1,,,,,,,,,,,,,I  
20,4,,24315-000080,, "O-RING 1B P-8.0",1,1,1,,,,,,,,,,,,,  
21,4,,172116-74430,, "O-RING",1,1,1,,,,,,,,,,,,,  
22,4,,172187-74530,, "PLUG ASSY",1,1,1,,,,,,,,,,,,,I  
23,4,,24315-000110,, "O-RING 1B P-11.0",1,1,1,,,,,,,,,,,,,  
24,4,,172422-74610,, "POPPET",1,1,1,,,,,,,,,,,,,I  
25,4,,172187-74630,, "SPRING",1,1,1,,,,,,,,,,,,,I  
26,4,,172187-74690,, "PLUG",1,1,1,,,,,,,,,,,,,I  
27,4,,172312-74770,, "O-RING",1,1,1,,,,,,,,,,,,,  
28,4,,24321-000550,, "O-RING 1A G-55.0",1,1,1,,,,,,,,,,,,,  
29,3,,172422-74570,, "VALVE",2,2,2,,,,,,,,,,,,,  
30,4,,172116-74150,, "O-RING",2,2,2,,,,,,,,,,,,,  
31,4,,24315-000100,, "O-RING 1B P-10.0",2,2,2,,,,,,,,,,,,,  
32,2,,172444-74180,, "SPOOL SECTION,DRIVE",1,1,1,,,,,,,,,,,,,  
33,3,,172176-73510,, "BOLT, SOCKET HEAD",2,2,2,,,,,,,,,,,,,I  
34,3,,172614-74230,, "SCREW, CAP",1,1,1,,,,,,,,,,,,,I  
35,3,,172614-74240,, "SEAT, SPRING",2,2,2,,,,,,,,,,,,,I  
36,3,,172614-74260,, "CAP",1,1,1,,,,,,,,,,,,,I  
37,3,,172614-74270,, "PLATE, SEAL",2,2,2,,,,,,,,,,,,,I  
38,3,,172614-74280,, "SPRING, CHECK VALVE",1,1,1,,,,,,,,,,,,,I  
39,3,,172614-74290,, "WIPER",2,2,2,,,,,,,,,,,,,  
40,3,,172614-74310,, "SCREW",2,2,2,,,,,,,,,,,,,I  
41,3,,172422-74350,, "SPRING",1,1,1,,,,,,,,,,,,,I  
42,3,,172422-74360,, "POPPET",1,1,1,,,,,,,,,,,,,I  
43,3,,172422-74370,, "O-RING",2,2,2,,,,,,,,,,,,,  
44,3,,24321-000550,, "O-RING 1A G-55.0",1,1,1,,,,,,,,,,,,,



コントロールバルブASSY  
 CONTROL VALVE ASSY  
 172444-74100

項目57の見出しNo. 7は  
 項目57の見出しNo. 8から29と  
 項目58から62を含みます。

Fig. 57 Ref. No. 7  
 INC. 57 Ref. No. 8~29.  
 Fig. 58~62.





1,2,,172444-74130,, "SECTION, INLET",1,1,1,,,,,,,,,,,,,  
2,3,,172444-74250,, "SECTION, INLET",1,1,1,,,,,,,,,,,,,  
3,4,,172444-74320,, CAP,1,1,1,,,,,,,,,,,,,I  
4,4,,172422-74170,, "SCREW, CAP",1,1,1,,,,,,,,,,,,,I  
5,4,,172422-74180,, "SEAT, SPRING",2,2,2,,,,,,,,,,,,,I  
6,4,,172422-74400,, SPRING,1,1,1,,,,,,,,,,,,,I  
7,4,,172444-74310,, CAP,1,1,1,,,,,,,,,,,,,I  
8,4,,24321-000550,, "O-RING 1A G-55.0",2,2,2,,,,,,,,,,,,,  
9,4,,172422-74220,, O-RING,2,2,2,,,,,,,,,,,,,  
10,4,,172422-74230,, "BOLTE, SOCKET HEAD",4,4,4,,,,,,,,,,,,,I  
11,4,,172164-74330,, "VALVE 175/25, RELIEF",2,2,2,,,,,,,,,,,,,  
12,4,,172116-74150,, O-RING,2,2,2,,,,,,,,,,,,,  
13,2,,172444-74190,, "SPOOL SECTION, DRIVE",1,1,1,,,,,,,,,,,,,  
14,3,,172176-73510,, "BOLT, SOCKET HEAD",2,2,2,,,,,,,,,,,,,I  
15,3,,172614-74230,, "SCREW, CAP",1,1,1,,,,,,,,,,,,,I  
16,3,,172614-74240,, "SEAT, SPRING",2,2,2,,,,,,,,,,,,,I  
17,3,,172614-74260,, CAP,1,1,1,,,,,,,,,,,,,I  
18,3,,172614-74270,, "PLATE, SEAL",2,2,2,,,,,,,,,,,,,I  
19,3,,172614-74290,, WIPER,2,2,2,,,,,,,,,,,,,  
20,3,,172614-74310,, SCREW,2,2,2,,,,,,,,,,,,,I  
21,3,,172422-74350,, SPRING,1,1,1,,,,,,,,,,,,,I  
22,3,,172422-74370,, O-RING,2,2,2,,,,,,,,,,,,,  
23,3,,24321-000550,, "O-RING 1A G-55.0",1,1,1,,,,,,,,,,,,,

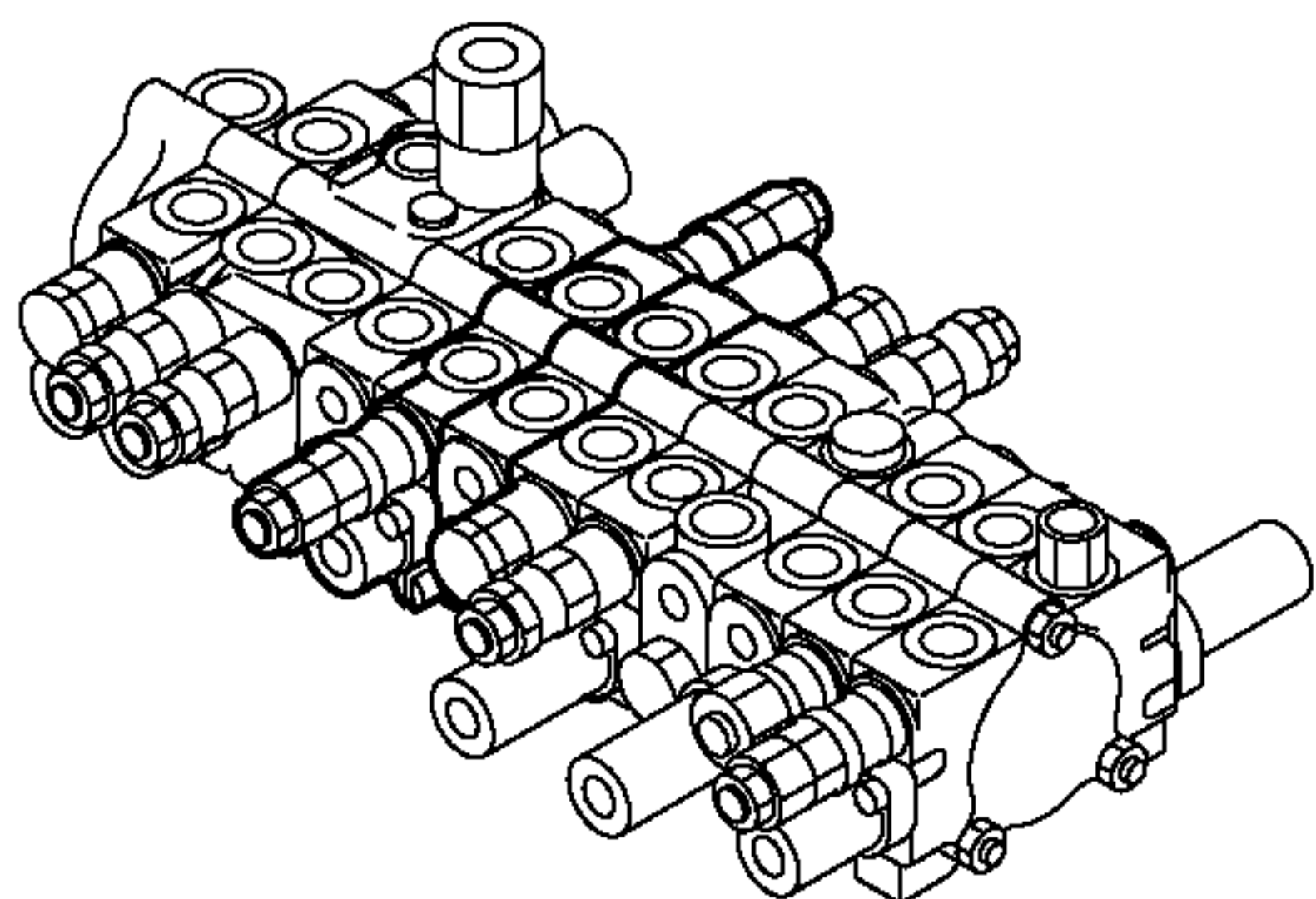
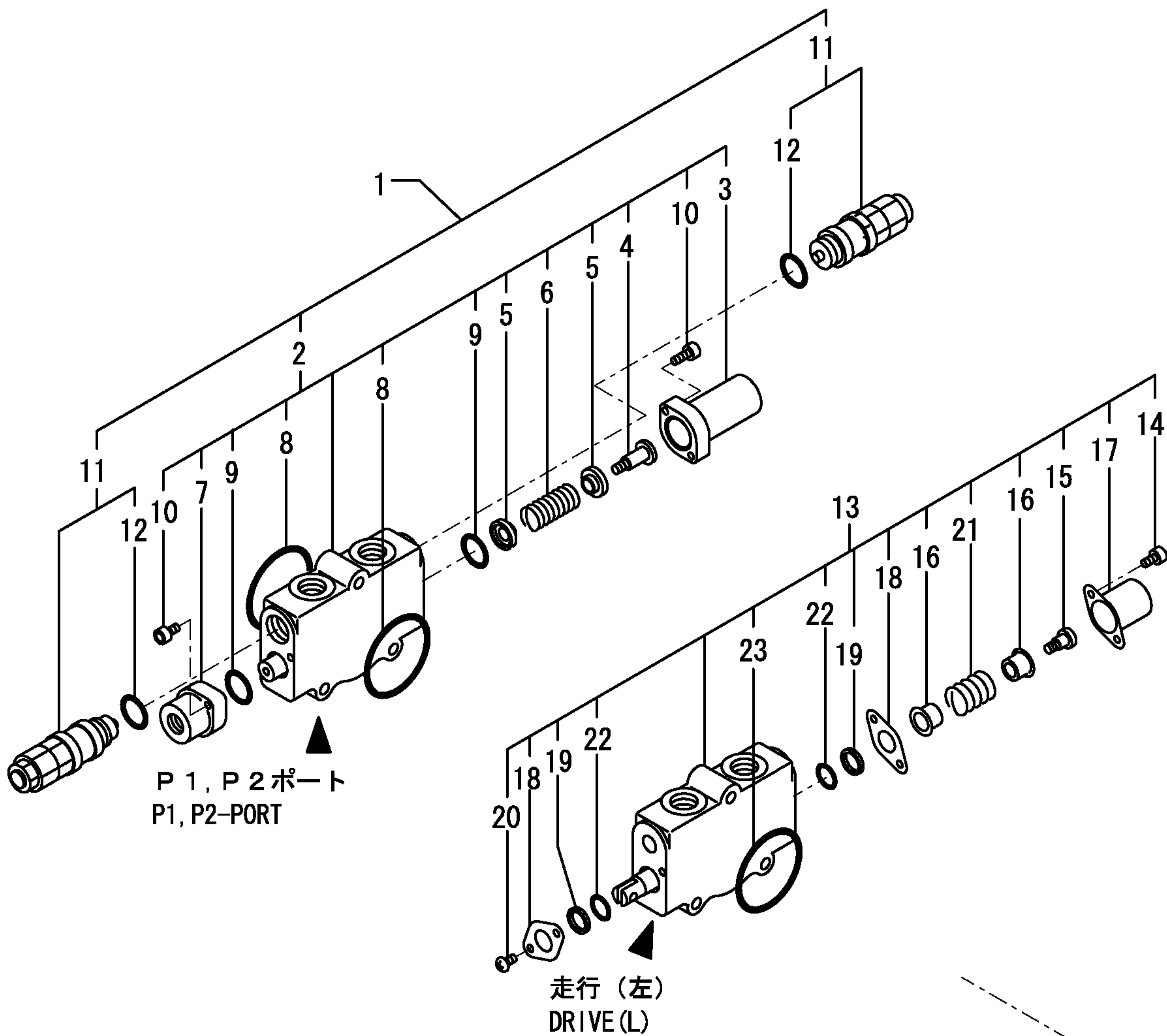
コントロールバルブASSY  
CONTROL VALVE ASSY  
172444-74100

項目57の見出しNo. 7は  
項目57の見出しNo. 8から29と  
項目58から62を含みます。

Fig. 57 Ref. No. 7

INC. Fig. 57 Ref. No. 8~29.

Fig. 58~62.

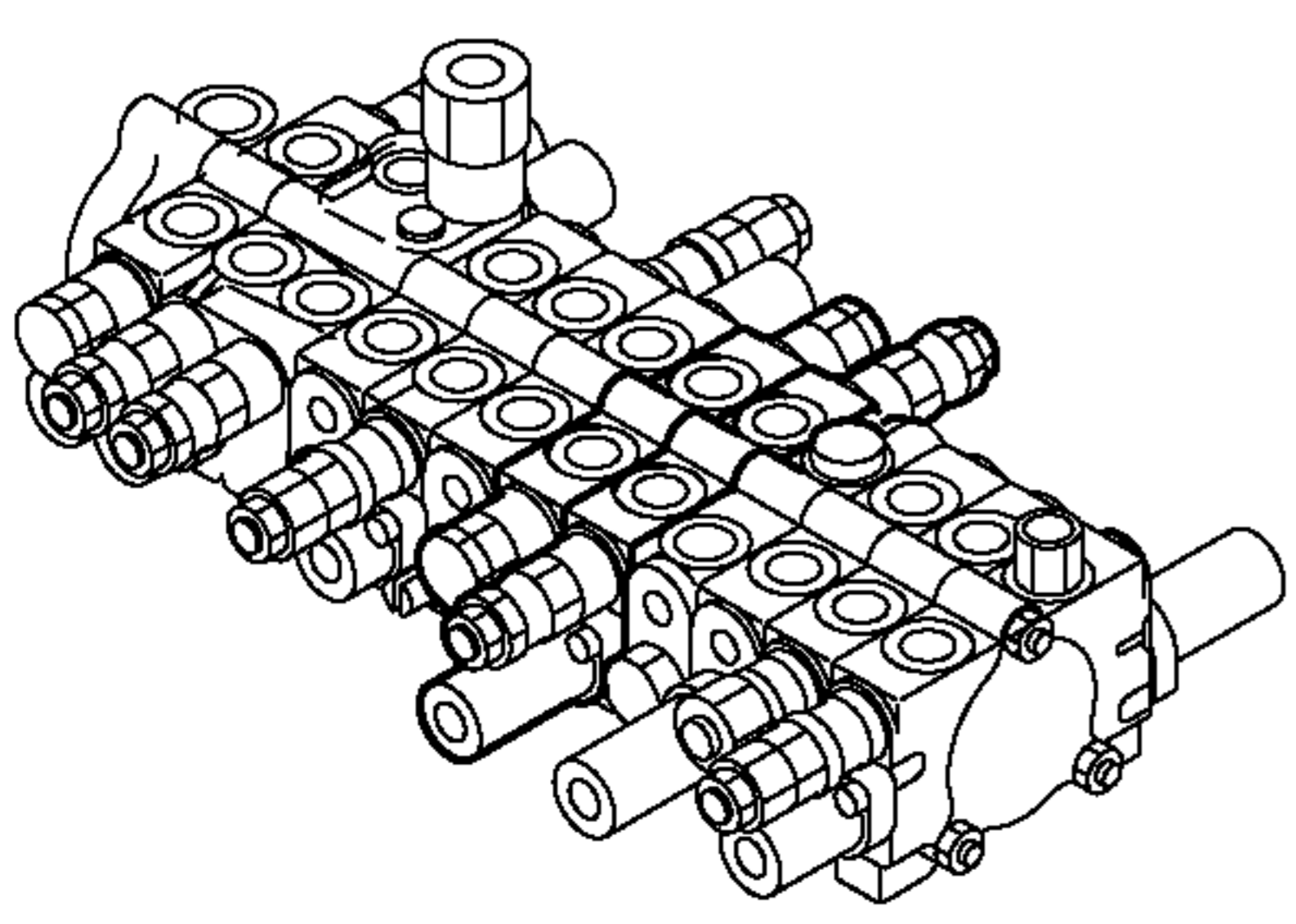
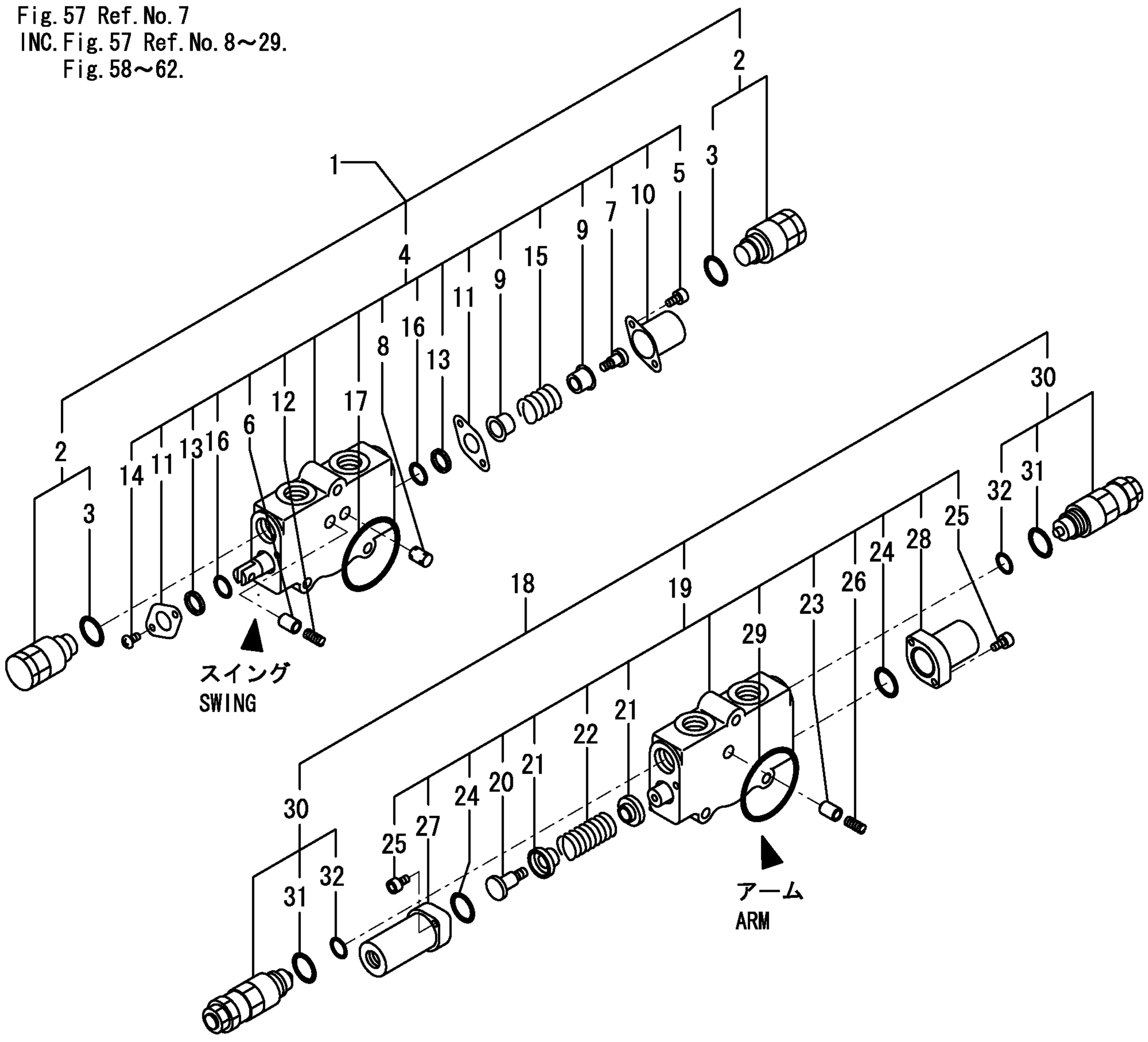


1,2,,172444-74140,, "SECTION, SWING", 1,1,1,,,,,,,,,,,,,  
2,3,,172187-74130,, "VALVE, ANTI-VOIDE", 2,2,2,,,,,,,,,,,,,  
3,4,,172116-74150,, O-RING, 2,2,2,,,,,,,,,,,,,  
4,3,,172444-74260,, "SPOOL SECTION, SWING", 1,1,1,,,,,,,,,,,,,  
5,4,,172176-73510,, "BOLT, SOCKET HEAD", 2,2,2,,,,,,,,,,,,,I  
6,4,,172422-74210,, "VALVE, LOAD CHECK", 1,1,1,,,,,,,,,,,,,I  
7,4,,172614-74230,, "SCREW, CAP", 1,1,1,,,,,,,,,,,,,I  
8,4,,172422-74240,, POPPET, 1,1,1,,,,,,,,,,,,,I  
9,4,,172614-74240,, "SEAT, SPRING", 2,2,2,,,,,,,,,,,,,I  
10,4,,172614-74260,, CAP, 1,1,1,,,,,,,,,,,,,I  
11,4,,172614-74270,, "PLATE, SEAL", 2,2,2,,,,,,,,,,,,,I  
12,4,,172614-74280,, "SPRING, CHECK VALVE", 1,1,1,,,,,,,,,,,,,I  
13,4,,172614-74290,, WIPER, 2,2,2,,,,,,,,,,,,,  
14,4,,172614-74310,, SCREW, 2,2,2,,,,,,,,,,,,,I  
15,4,,172422-74350,, SPRING, 1,1,1,,,,,,,,,,,,,I  
16,4,,172422-74370,, O-RING, 2,2,2,,,,,,,,,,,,,  
17,4,,24321-000550,, "O-RING 1A G-55.0", 1,1,1,,,,,,,,,,,,,  
18,2,,172444-74150,, "SECTION, ARM", 1,1,1,,,,,,,,,,,,,  
19,3,,172444-74270,, "SPOOL SECTION, ARM", 1,1,1,,,,,,,,,,,,,  
20,4,,172422-74170,, "SCREW, CAP", 1,1,1,,,,,,,,,,,,,I  
21,4,,172422-74180,, "SEAT, SPRING", 2,2,2,,,,,,,,,,,,,I  
22,4,,172422-74190,, SPRING, 1,1,1,,,,,,,,,,,,,I  
23,4,,172422-74210,, "VALVE, LOAD CHECK", 1,1,1,,,,,,,,,,,,,I  
24,4,,172422-74220,, O-RING, 2,2,2,,,,,,,,,,,,,  
25,4,,172422-74230,, "BOLTE, SOCKET HEAD", 4,4,4,,,,,,,,,,,,,I  
26,4,,172614-74280,, "SPRING, CHECK VALVE", 1,1,1,,,,,,,,,,,,,I  
27,4,,172444-74300,, CAP, 1,1,1,,,,,,,,,,,,,I  
28,4,,172444-74310,, CAP, 1,1,1,,,,,,,,,,,,,I  
29,4,,24321-000550,, "O-RING 1A G-55.0", 1,1,1,,,,,,,,,,,,,  
30,3,,172422-74570,, VALVE, 2,2,2,,,,,,,,,,,,,  
31,4,,172116-74150,, O-RING, 2,2,2,,,,,,,,,,,,,  
32,4,,24315-000100,, "O-RING 1B P-10.0", 2,2,2,,,,,,,,,,,,,

コントロールバルブASSY  
CONTROL VALVE ASSY  
172444-74100

項目57の見出しNo. 7は  
項目57の見出しNo. 8から29と  
項目58から62を含みます。

Fig. 57 Ref. No. 7  
INC. Fig. 57 Ref. No. 8~29.  
Fig. 58~62.



1,2,,172444-74200,, "SECTION,SPACER",1,1,1,,,,,,,,,,,,,  
10,2,,172444-74211,, "SPOOL SECTION",1,1,1,,,,,,,,,,,,,  
11,3,,172422-74170,, "SCREW, CAP",1,1,1,,,,,,,,,,,,,I  
12,3,,172422-74180,, "SEAT, SPRING",2,2,2,,,,,,,,,,,,,I  
13,3,,172422-74190,, "SPRING",1,1,1,,,,,,,,,,,,,I  
14,3,,172422-74210,, "VALVE, LOAD CHECK",1,1,1,,,,,,,,,,,,,I  
15,3,,172164-74280,, "SECTION ASSY, SPOOL",1,1,1,,,,,,,,,,,,,I  
16,3,,24321-000550,, "O-RING 1A G-55.0",1,1,1,,,,,,,,,,,,,  
17,3,,172422-74220,, "O-RING",2,2,2,,,,,,,,,,,,,  
18,3,,172422-74230,, "BOLTE, SOCKET HEAD",4,4,4,,,,,,,,,,,,,I  
19,3,,172422-74240,, "POPPET",1,1,1,,,,,,,,,,,,,I  
20,3,,172444-74310,, "CAP",1,1,1,,,,,,,,,,,,,  
21,3,,172444-74300,, "CAP",1,1,1,,,,,,,,,,,,,

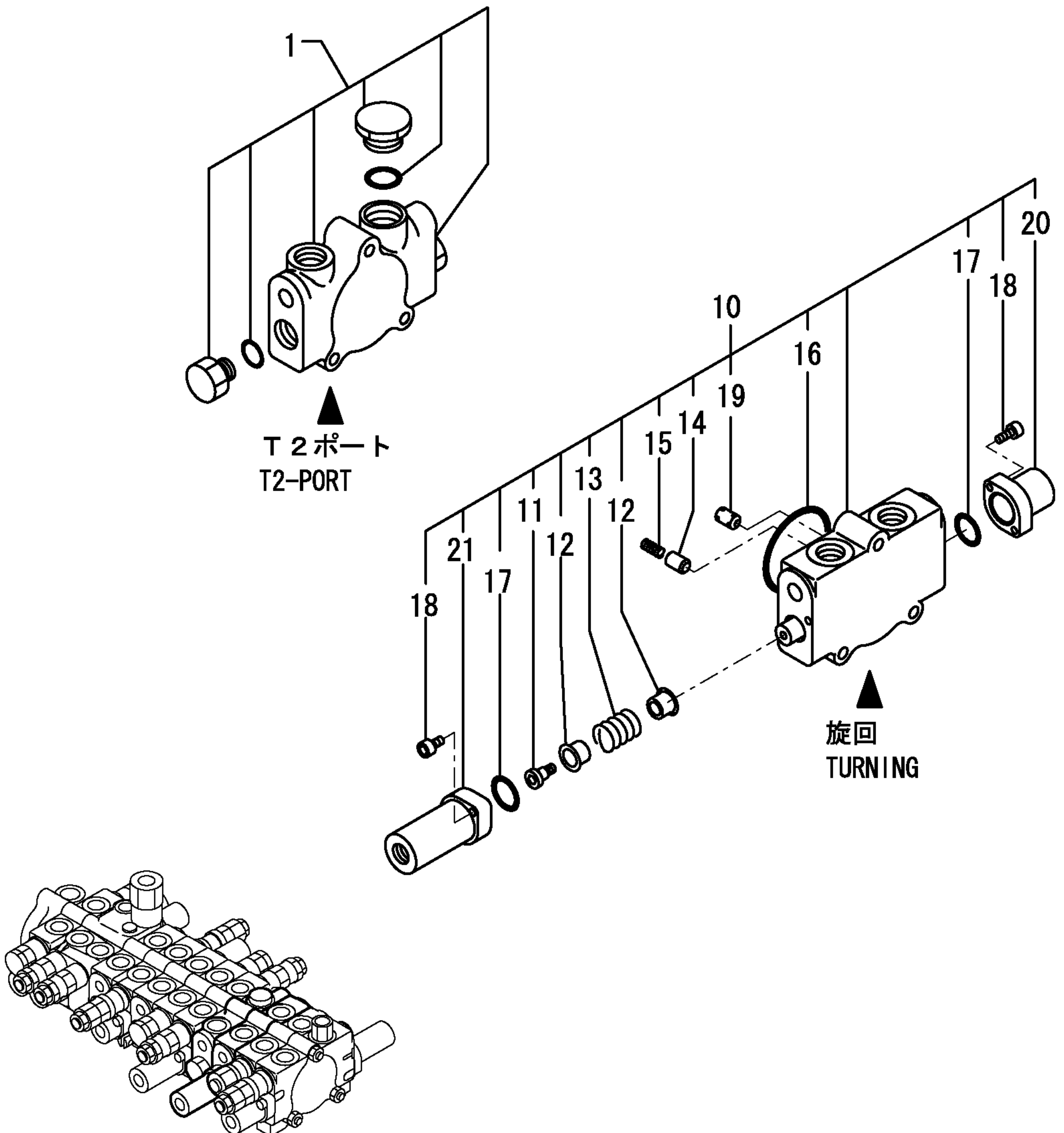
コントロールバルブASSY  
CONTROL VALVE ASSY  
172444-74100

項目57の見出しNo. 7は  
項目57の見出しNo. 8から29と  
項目58から62を含みます。

Fig. 57 Ref. No. 7

INC. Fig. 57 Ref. No. 8~29.

Fig. 58~62.

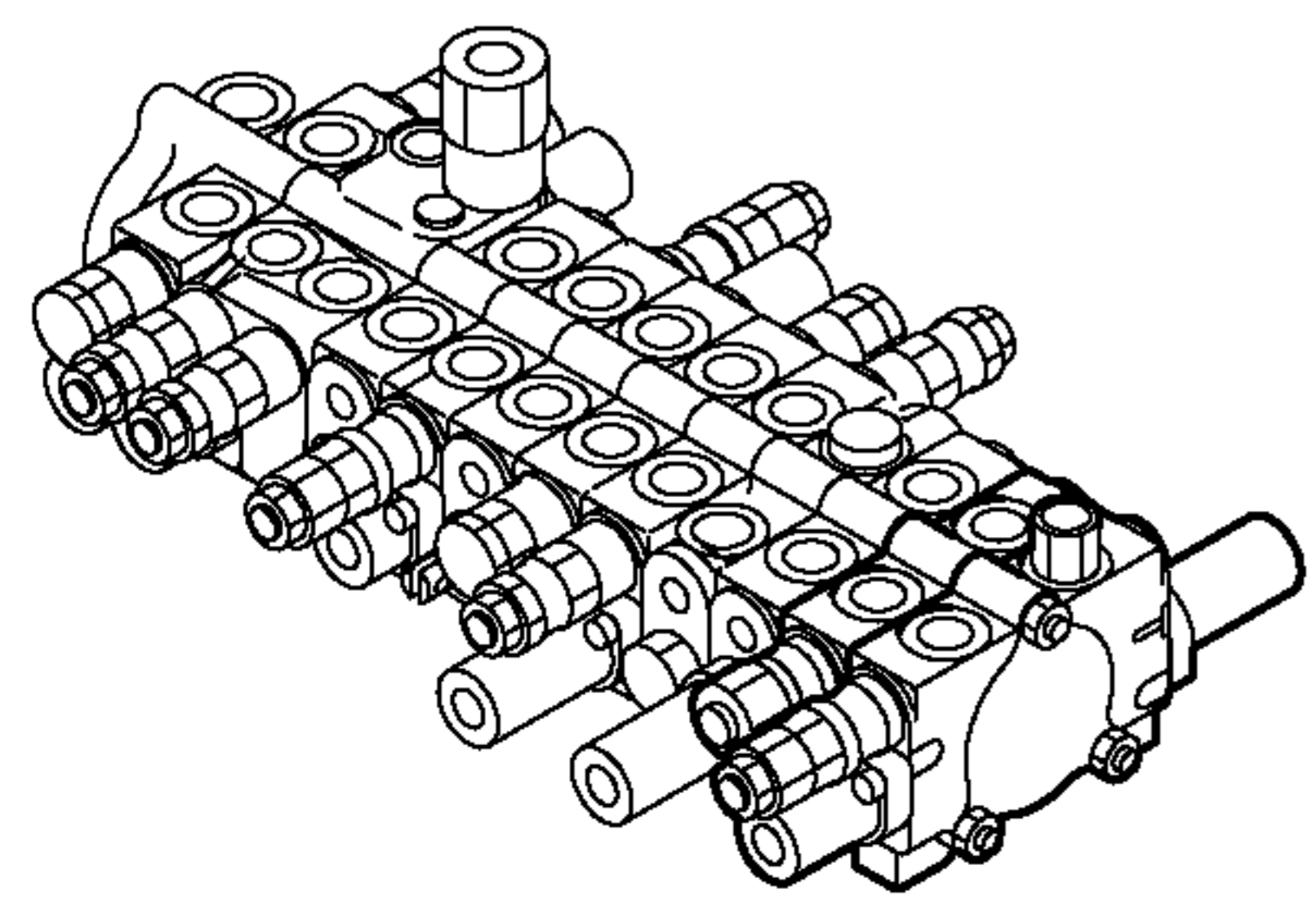
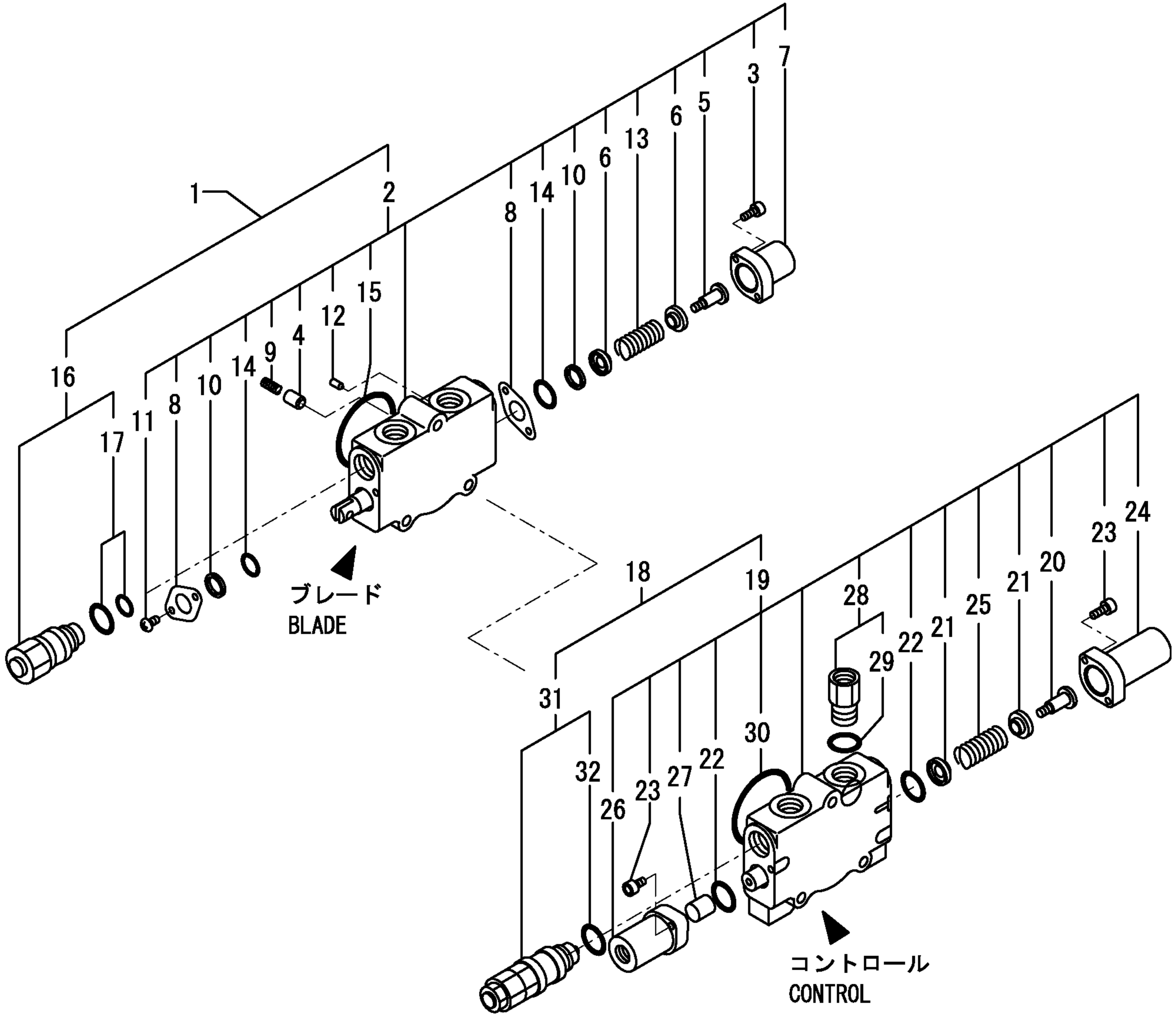


1,2,,172444-74160,, "SECTION, BLADE", 1,1,1,,,,,,,,,,,,,  
2,3,,172444-74280,, "SPOOL SECTION, BLADE", 1,1,1,,,,,,,,,,,,,  
3,4,,172176-73510,, "BOLT, SOCKET HEAD", 2,2,2,,,,,,,,,,,,,I  
4,4,,172422-74210,, "VALVE, LOAD CHECK", 1,1,1,,,,,,,,,,,,,I  
5,4,,172614-74230,, "SCREW, CAP", 1,1,1,,,,,,,,,,,,,I  
6,4,,172614-74240,, "SEAT, SPRING", 2,2,2,,,,,,,,,,,,,I  
7,4,,172614-74260,, "CAP, 1,1,1",,,,,,,,,,,,,,I  
8,4,,172614-74270,, "PLATE, SEAL", 2,2,2,,,,,,,,,,,,,I  
9,4,,172614-74280,, "SPRING, CHECK VALVE", 1,1,1,,,,,,,,,,,,,I  
10,4,,172614-74290,, "WIPER, 2,2,2",,,,,,,,,,,,,,  
11,4,,172614-74310,, "SCREW, 2,2,2",,,,,,,,,,,,,,I  
12,4,,172444-74330,, "POPPET, 1,1,1",,,,,,,,,,,,,,I  
13,4,,172422-74350,, "SPRING, 1,1,1",,,,,,,,,,,,,,I  
14,4,,172422-74370,, "O-RING, 2,2,2",,,,,,,,,,,,,,  
15,4,,24321-000550,, "O-RING 1A G-55.0", 1,1,1,,,,,,,,,,,,,  
16,3,,172422-74590,, "VALVE, 1,1,1",,,,,,,,,,,,,,  
17,4,,172422-74620,, "SEAL KIT", 1,1,1,,,,,,,,,,,,,  
18,2,,172444-74170,, "SECTION, CONTROL", 1,1,1,,,,,,,,,,,,,  
19,3,,172444-74290,, "SPOOL SECTION", 1,1,1,,,,,,,,,,,,,  
20,4,,172422-74170,, "SCREW, CAP", 1,1,1,,,,,,,,,,,,,I  
21,4,,172422-74180,, "SEAT, SPRING", 2,2,2,,,,,,,,,,,,,I  
22,4,,172422-74220,, "O-RING, 2,2,2",,,,,,,,,,,,,,  
23,4,,172422-74230,, "BOLTE, SOCKET HEAD", 4,4,4,,,,,,,,,,,,,I  
24,4,,172444-74300,, "CAP, 1,1,1",,,,,,,,,,,,,,I  
25,4,,172444-74340,, "SPRING, 1,1,1",,,,,,,,,,,,,,I  
26,4,,172444-74350,, "CAP, 1,1,1",,,,,,,,,,,,,,I  
27,4,,172444-74360,, "PISTON, 1,1,1",,,,,,,,,,,,,,I  
28,4,,172422-74540,, "PLUG, 1,1,1",,,,,,,,,,,,,,I  
29,4,,24315-000180,, "O-RING 1B P-18.0", 1,1,1,,,,,,,,,,,,,  
30,4,,24321-000550,, "O-RING 1A G-55.0", 1,1,1,,,,,,,,,,,,,  
31,3,,172164-74330,, "VALVE 175/25, RELIEF", 1,1,1,,,,,,,,,,,,,  
32,4,,172116-74150,, "O-RING, 1,1,1",,,,,,,,,,,,,,



コントロールバルブASSY  
 CONTROL VALVE ASSY  
 172444-74100

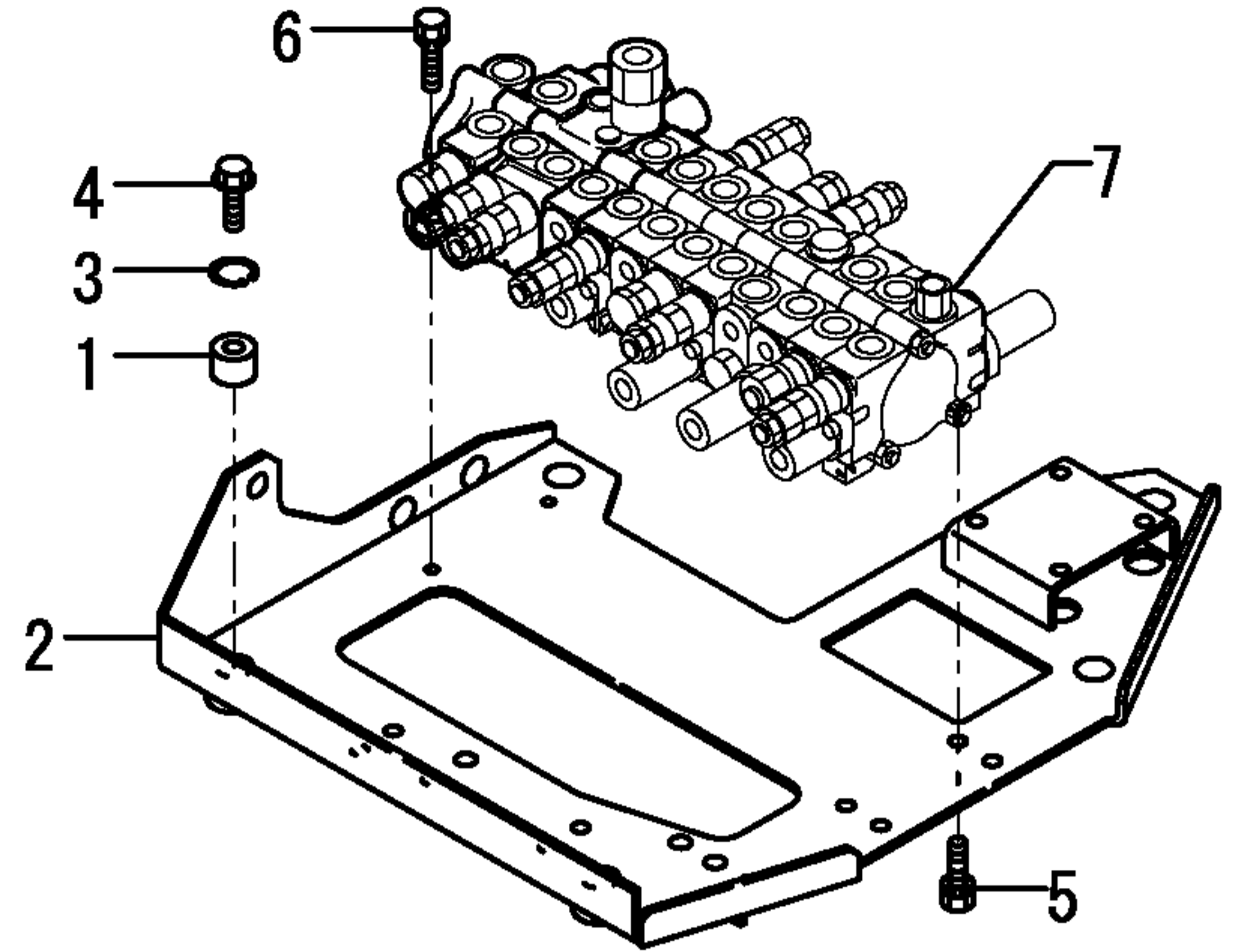
項目57の見出しNo. 7は  
 項目57の見出しNo. 8から29と  
 項目58から62を含みます。  
 Fig. 57 Ref. No. 7  
 INC. Fig. 57 Ref. No. 8~29.  
 Fig. 57~62.



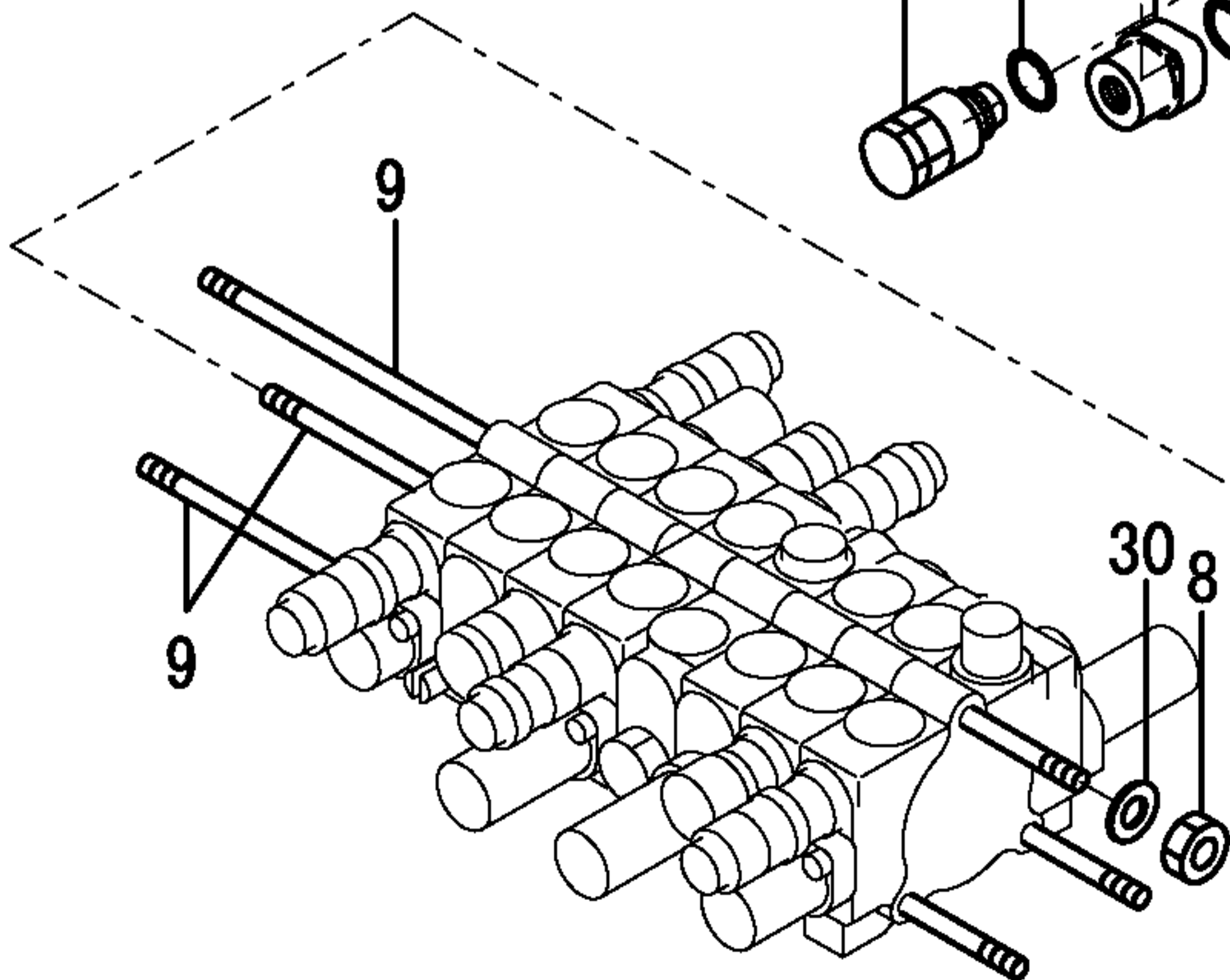
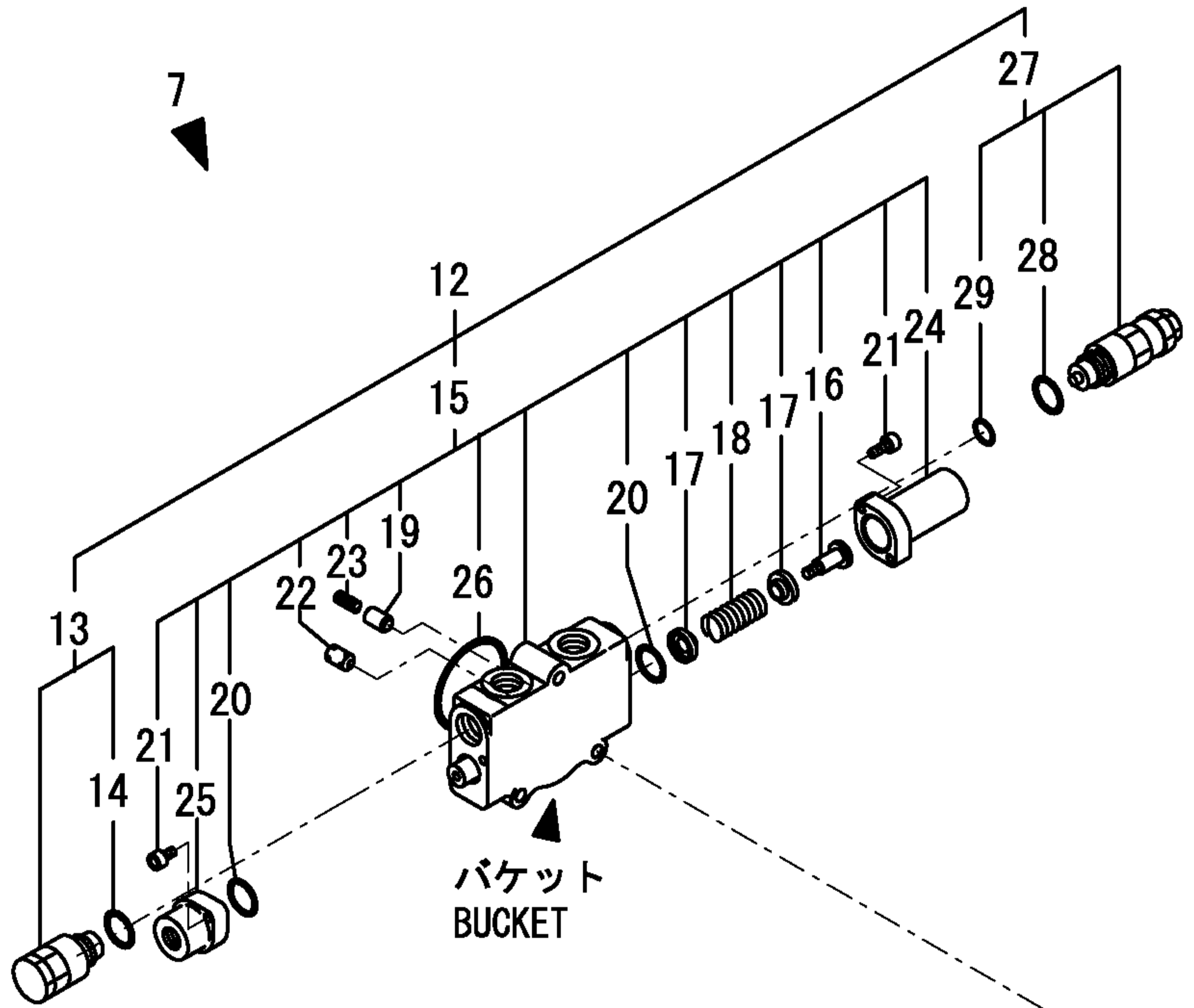
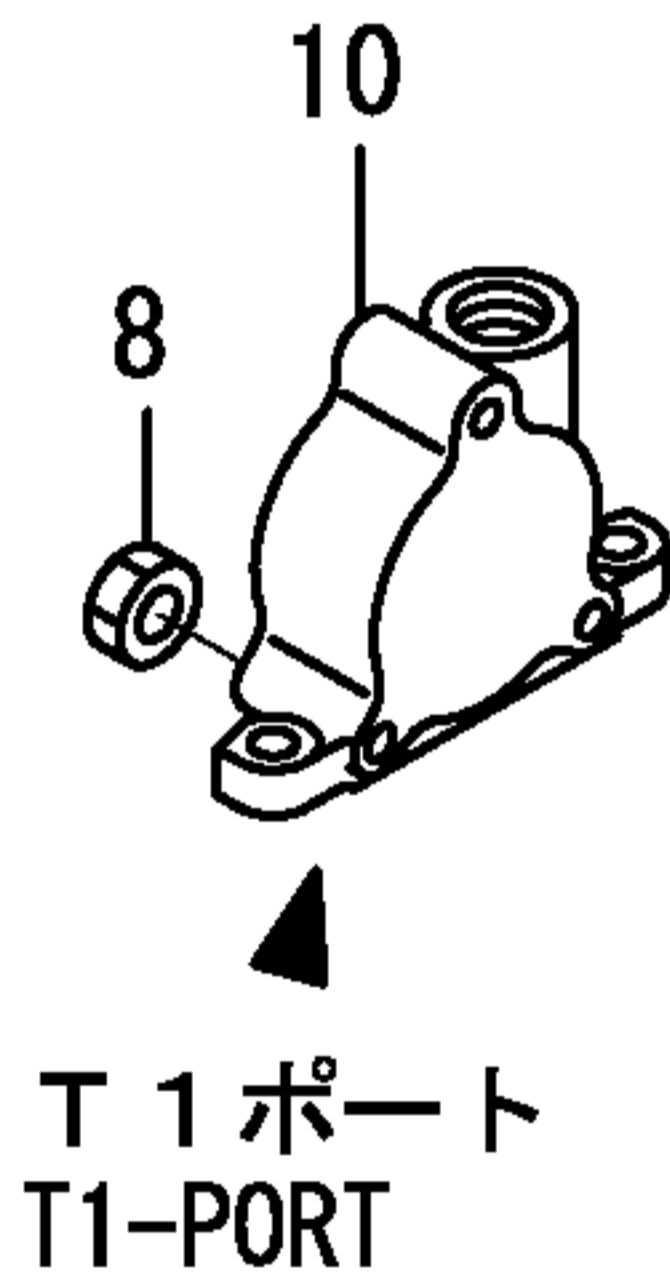
1,1,,172165-45490,,CUSHION,5,5,,,,,,,,,,,,,  
2,1,,172444-45600,,PLATE,1,1,,,,,,,,,,,,,  
3,1,,22252-000280,,,"CIRCLIP 28",5,5,,,,,,,,,,,,,  
4,1,,26106-100352,,,"BOLT M10X 35 PLATED",5,5,,,,,,,,,,,,,  
5,1,,26013-100162,,,"BOLT M10X 16",1,1,,,,,,,,,,,,,  
6,1,,26013-100302,,,"BOLT M10X 30",2,2,,,,,,,,,,,,,  
7,1,,172444-74400,,,"VALVE,CONTROL(P.T.O.)",1,1,,,,,,,,,,,,,  
8,2,,172422-74110,,NUT,6,6,,,,,,,,,,,,,  
9,2,,172422-74120,,,"ROD, TIE",3,3,,,,,,,,,,,,,  
10,2,,172422-74130,,,"OUTLET SECTION",1,1,,,,,,,,,,,,,  
12,2,,172444-74110,,,"SECTION,BUCKET",1,1,,,,,,,,,,,,,  
13,3,,172187-74130,,,"VALVE, ANTI-VOIDE",1,1,,,,,,,,,,,,,  
14,4,,172116-74150,,O-RING,1,1,,,,,,,,,,,,,  
15,3,,172444-74230,,,"SPOOL SECTION,BUCKET",1,1,,,,,,,,,,,,,  
16,4,,172422-74170,,,"SCREW, CAP",1,1,,,,,,,,,,,,,I  
17,4,,172422-74180,,,"SEAT, SPRING",2,2,,,,,,,,,,,,,I  
18,4,,172422-74190,,SPRING,1,1,,,,,,,,,,,,,I  
19,4,,172422-74210,,,"VALVE, LOAD CHECK",1,1,,,,,,,,,,,,,I  
20,4,,172422-74220,,O-RING,2,2,,,,,,,,,,,,,  
21,4,,172422-74230,,,"BOLTE, SOCKET HEAD",4,4,,,,,,,,,,,,,I  
22,4,,172422-74240,,POPPET,1,1,,,,,,,,,,,,,I  
23,4,,172614-74280,,,"SPRING, CHECK VALVE",1,1,,,,,,,,,,,,,I  
24,4,,172444-74300,,CAP,1,1,,,,,,,,,,,,,I  
25,4,,172444-74310,,CAP,1,1,,,,,,,,,,,,,I  
26,4,,24321-000550,,,"O-RING 1A G-55.0",1,1,,,,,,,,,,,,,  
27,3,,172422-74570,,VALVE,1,1,,,,,,,,,,,,,  
28,4,,172116-74150,,O-RING,1,1,,,,,,,,,,,,,  
29,4,,24315-000100,,,"O-RING 1B P-10.0",1,1,,,,,,,,,,,,,  
30,2,,172444-74450,,WASHER,1,1,,,,,,,,,,,,,

コントロールバルブASSY  
 CONTROL VALVE ASSY  
 172444-74400

項目63の見出しNo. 7は  
 項目63の見出しNo. 8から30と  
 項目64から68を含みます。  
 Fig. 63 Ref. No. 7  
 INC. Fig. 63 Ref. No. 8~30.  
 Fig. 64~68.



7

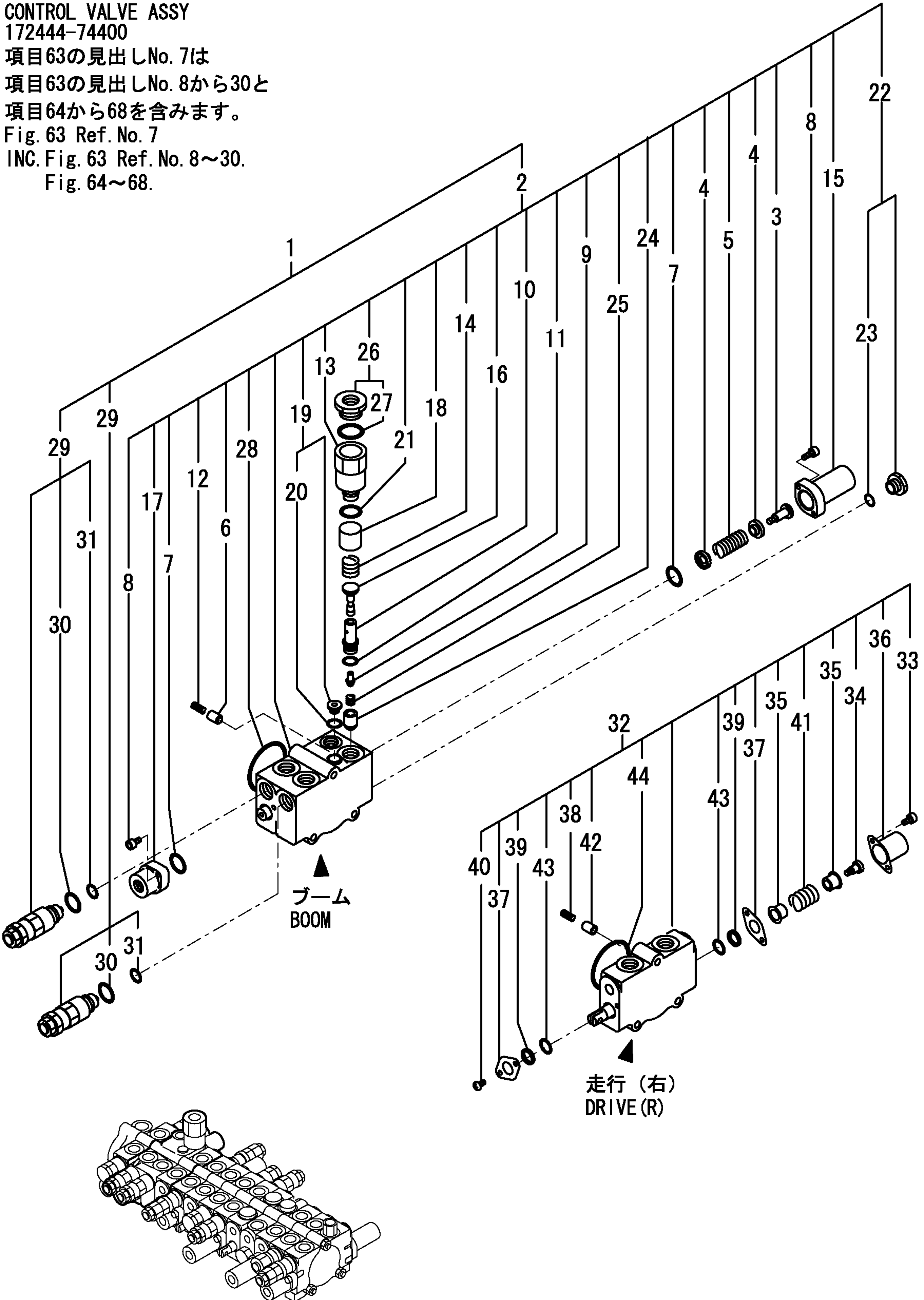


1,2,,172444-74120,, "SECTION,BOOM",1,1,,,,,,,,,,,,,  
2,3,,172444-74240,, "SPOOL SECTION,BOOM",1,1,,,,,,,,,,,,,  
3,4,,172422-74170,, "SCREW, CAP",1,1,,,,,,,,,,,,,I  
4,4,,172422-74180,, "SEAT, SPRING",2,2,,,,,,,,,,,,,I  
5,4,,172422-74190,, "SPRING",1,1,,,,,,,,,,,,,I  
6,4,,172422-74210,, "VALVE, LOAD CHECK",1,1,,,,,,,,,,,,,I  
7,4,,172422-74220,, "O-RING",2,2,,,,,,,,,,,,,  
8,4,,172422-74230,, "BOLTE, SOCKET HEAD",4,4,,,,,,,,,,,,,I  
9,4,,172422-74260,, "POPPET",1,1,,,,,,,,,,,,,I  
10,4,,172422-74270,, "SLEEVE",1,1,,,,,,,,,,,,,I  
11,4,,172422-74280,, "O-RING",1,1,,,,,,,,,,,,,  
12,4,,172614-74280,, "SPRING, CHECK VALVE",1,1,,,,,,,,,,,,,I  
13,4,,172422-74290,, "PLUG",1,1,,,,,,,,,,,,,I  
14,4,,172422-74300,, "SPRING",1,1,,,,,,,,,,,,,I  
15,4,,172444-74300,, "CAP",1,1,,,,,,,,,,,,,I  
16,4,,172422-74310,, "PUSH ROD",1,1,,,,,,,,,,,,,I  
17,4,,172444-74310,, "CAP",1,1,,,,,,,,,,,,,I  
18,4,,172422-74320,, "PISTON",1,1,,,,,,,,,,,,,I  
19,4,,172422-74330,, "PLUG",1,1,,,,,,,,,,,,,I  
20,4,,24315-000080,, "O-RING 1B P-8.0",1,1,,,,,,,,,,,,,  
21,4,,172116-74430,, "O-RING",1,1,,,,,,,,,,,,,  
22,4,,172187-74530,, "PLUG ASSY",1,1,,,,,,,,,,,,,I  
23,4,,24315-000110,, "O-RING 1B P-11.0",1,1,,,,,,,,,,,,,  
24,4,,172422-74610,, "POPPET",1,1,,,,,,,,,,,,,I  
25,4,,172187-74630,, "SPRING",1,1,,,,,,,,,,,,,I  
26,4,,172187-74690,, "PLUG",1,1,,,,,,,,,,,,,I  
27,4,,172312-74770,, "O-RING",1,1,,,,,,,,,,,,,  
28,4,,24321-000550,, "O-RING 1A G-55.0",1,1,,,,,,,,,,,,,  
29,3,,172422-74570,, "VALVE",2,2,,,,,,,,,,,,,  
30,4,,172116-74150,, "O-RING",2,2,,,,,,,,,,,,,  
31,4,,24315-000100,, "O-RING 1B P-10.0",2,2,,,,,,,,,,,,,  
32,2,,172444-74180,, "SPOOL SECTION,DRIVE",1,1,,,,,,,,,,,,,  
33,3,,172176-73510,, "BOLT, SOCKET HEAD",2,2,,,,,,,,,,,,,I  
34,3,,172614-74230,, "SCREW, CAP",1,1,,,,,,,,,,,,,I  
35,3,,172614-74240,, "SEAT, SPRING",2,2,,,,,,,,,,,,,I  
36,3,,172614-74260,, "CAP",1,1,,,,,,,,,,,,,I  
37,3,,172614-74270,, "PLATE, SEAL",2,2,,,,,,,,,,,,,I  
38,3,,172614-74280,, "SPRING, CHECK VALVE",1,1,,,,,,,,,,,,,I  
39,3,,172614-74290,, "WIPER",2,2,,,,,,,,,,,,,  
40,3,,172614-74310,, "SCREW",2,2,,,,,,,,,,,,,I  
41,3,,172422-74350,, "SPRING",1,1,,,,,,,,,,,,,I  
42,3,,172422-74360,, "POPPET",1,1,,,,,,,,,,,,,I  
43,3,,172422-74370,, "O-RING",2,2,,,,,,,,,,,,,  
44,3,,24321-000550,, "O-RING 1A G-55.0",1,1,,,,,,,,,,,,,

コントロールバルブASSY  
CONTROL VALVE ASSY  
172444-74400

項目63の見出しNo. 7は  
項目63の見出しNo. 8から30と  
項目64から68を含みます。

Fig. 63 Ref. No. 7  
INC. Fig. 63 Ref. No. 8~30.  
Fig. 64~68.



1,2,,172444-74130,, "SECTION, INLET", 1,1,,,,,,,,,,,,,  
2,3,,172444-74250,, "SECTION, INLET", 1,1,,,,,,,,,,,,,  
3,4,,172444-74320,, CAP,1,1,,,,,,,,,,,,,I  
4,4,,172422-74170,, "SCREW, CAP", 1,1,,,,,,,,,,,,,I  
5,4,,172422-74180,, "SEAT, SPRING", 2,2,,,,,,,,,,,,,I  
6,4,,172422-74400,, SPRING,1,1,,,,,,,,,,,,,I  
7,4,,172444-74310,, CAP,1,1,,,,,,,,,,,,,I  
8,4,,24321-000550,, "O-RING 1A G-55.0", 2,2,,,,,,,,,,,,,  
9,4,,172422-74220,, O-RING, 2,2,,,,,,,,,,,,,  
10,4,,172422-74230,, "BOLTE, SOCKET HEAD", 4,4,,,,,,,,,,,,,I  
11,4,,172164-74330,, "VALVE 175/25, RELIEF", 2,2,,,,,,,,,,,,,  
12,4,,172116-74150,, O-RING, 2,2,,,,,,,,,,,,,  
13,2,,172444-74190,, "SPOOL SECTION, DRIVE", 1,1,,,,,,,,,,,,,  
14,3,,172176-73510,, "BOLT, SOCKET HEAD", 2,2,,,,,,,,,,,,,I  
15,3,,172614-74230,, "SCREW, CAP", 1,1,,,,,,,,,,,,,I  
16,3,,172614-74240,, "SEAT, SPRING", 2,2,,,,,,,,,,,,,I  
17,3,,172614-74260,, CAP, 1,1,,,,,,,,,,,,,I  
18,3,,172614-74270,, "PLATE, SEAL", 2,2,,,,,,,,,,,,,I  
19,3,,172614-74290,, WIPER, 2,2,,,,,,,,,,,,,  
20,3,,172614-74310,, SCREW, 2,2,,,,,,,,,,,,,I  
21,3,,172422-74350,, SPRING, 1,1,,,,,,,,,,,,,I  
22,3,,172422-74370,, O-RING, 2,2,,,,,,,,,,,,,  
23,3,,24321-000550,, "O-RING 1A G-55.0", 1,1,,,,,,,,,,,,,

コントロールバルブASSY

CONTROL VALVE ASSY

172444-74400

項目63の見出しNo. 7は

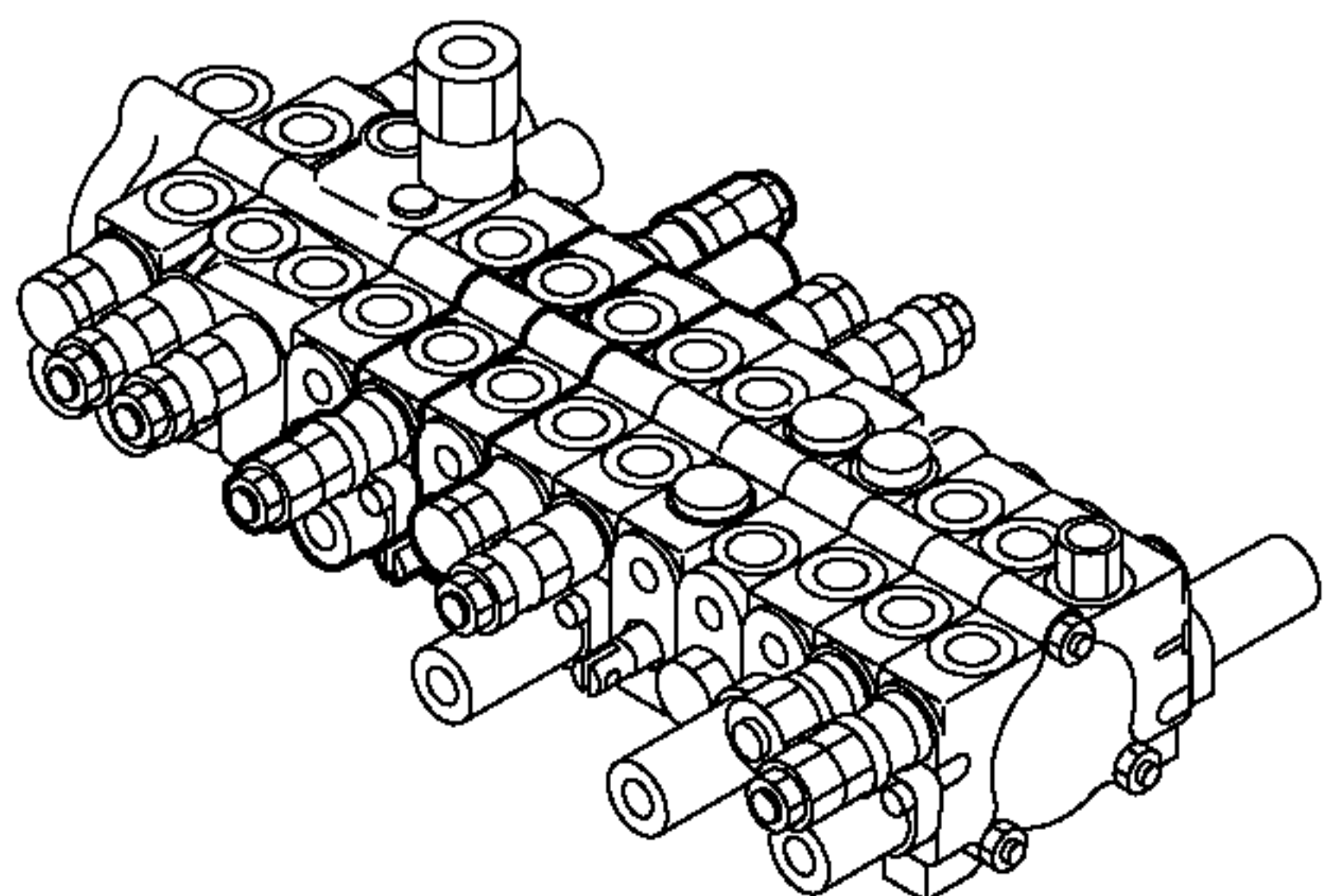
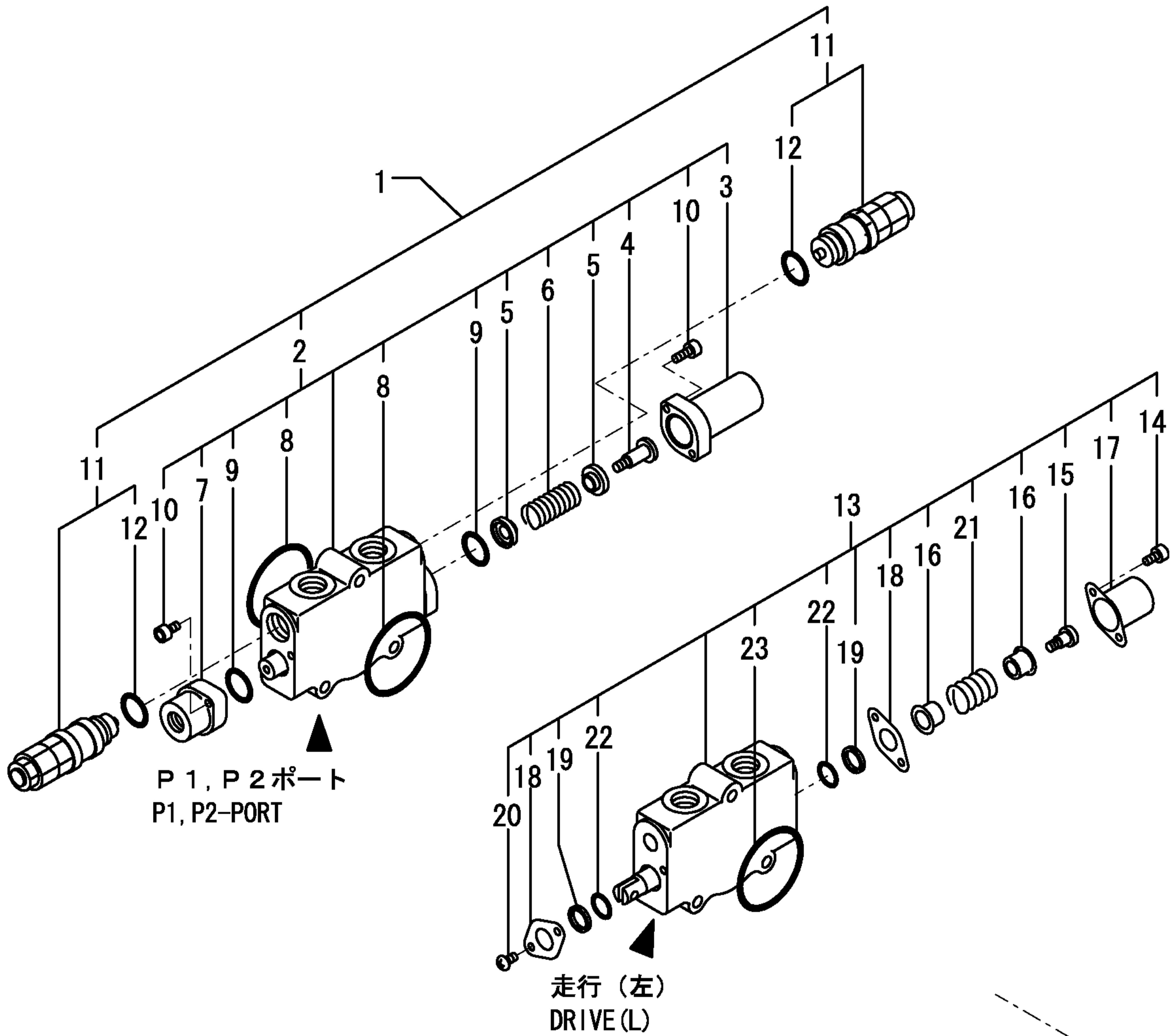
項目63の見出しNo. 8から30と

項目64から68を含みます。

Fig. 63 Ref. No. 7

INC. Fig. 63 Ref. No. 8~30.

Fig. 64~68.





1,2,,172444-74140,, "SECTION, SWING", 1,1,,,,,,,,,,,,,  
2,3,,172187-74130,, "VALVE, ANTI-VOIDE", 2,2,,,,,,,,,,,,,  
3,4,,172116-74150,, O-RING, 2,2,,,,,,,,,,,,,  
4,3,,172444-74260,, "SPOOL SECTION, SWING", 1,1,,,,,,,,,,,,,  
5,4,,172176-73510,, "BOLT, SOCKET HEAD", 2,2,,,,,,,,,,,,,I  
6,4,,172422-74210,, "VALVE, LOAD CHECK", 1,1,,,,,,,,,,,,,I  
7,4,,172614-74230,, "SCREW, CAP", 1,1,,,,,,,,,,,,,I  
8,4,,172422-74240,, POPPET, 1,1,,,,,,,,,,,,,I  
9,4,,172614-74240,, "SEAT, SPRING", 2,2,,,,,,,,,,,,,I  
10,4,,172614-74260,, CAP, 1,1,,,,,,,,,,,,,I  
11,4,,172614-74270,, "PLATE, SEAL", 2,2,,,,,,,,,,,,,I  
12,4,,172614-74280,, "SPRING, CHECK VALVE", 1,1,,,,,,,,,,,,,I  
13,4,,172614-74290,, WIPER, 2,2,,,,,,,,,,,,,  
14,4,,172614-74310,, SCREW, 2,2,,,,,,,,,,,,,I  
15,4,,172422-74350,, SPRING, 1,1,,,,,,,,,,,,,I  
16,4,,172422-74370,, O-RING, 2,2,,,,,,,,,,,,,  
17,4,,24321-000550,, "O-RING 1A G-55.0", 1,1,,,,,,,,,,,,,  
18,2,,172444-74150,, "SECTION, ARM", 1,1,,,,,,,,,,,,,  
19,3,,172444-74270,, "SPOOL SECTION, ARM", 1,1,,,,,,,,,,,,,  
20,4,,172422-74170,, "SCREW, CAP", 1,1,,,,,,,,,,,,,I  
21,4,,172422-74180,, "SEAT, SPRING", 2,2,,,,,,,,,,,,,I  
22,4,,172422-74190,, SPRING, 1,1,,,,,,,,,,,,,I  
23,4,,172422-74210,, "VALVE, LOAD CHECK", 1,1,,,,,,,,,,,,,I  
24,4,,172422-74220,, O-RING, 2,2,,,,,,,,,,,,,  
25,4,,172422-74230,, "BOLTE, SOCKET HEAD", 4,4,,,,,,,,,,,,,I  
26,4,,172614-74280,, "SPRING, CHECK VALVE", 1,1,,,,,,,,,,,,,I  
27,4,,172444-74300,, CAP, 1,1,,,,,,,,,,,,,I  
28,4,,172444-74310,, CAP, 1,1,,,,,,,,,,,,,I  
29,4,,24321-000550,, "O-RING 1A G-55.0", 1,1,,,,,,,,,,,,,  
30,3,,172422-74570,, VALVE, 2,2,,,,,,,,,,,,,  
31,4,,172116-74150,, O-RING, 2,2,,,,,,,,,,,,,  
32,4,,24315-000100,, "O-RING 1B P-10.0", 2,2,,,,,,,,,,,,,

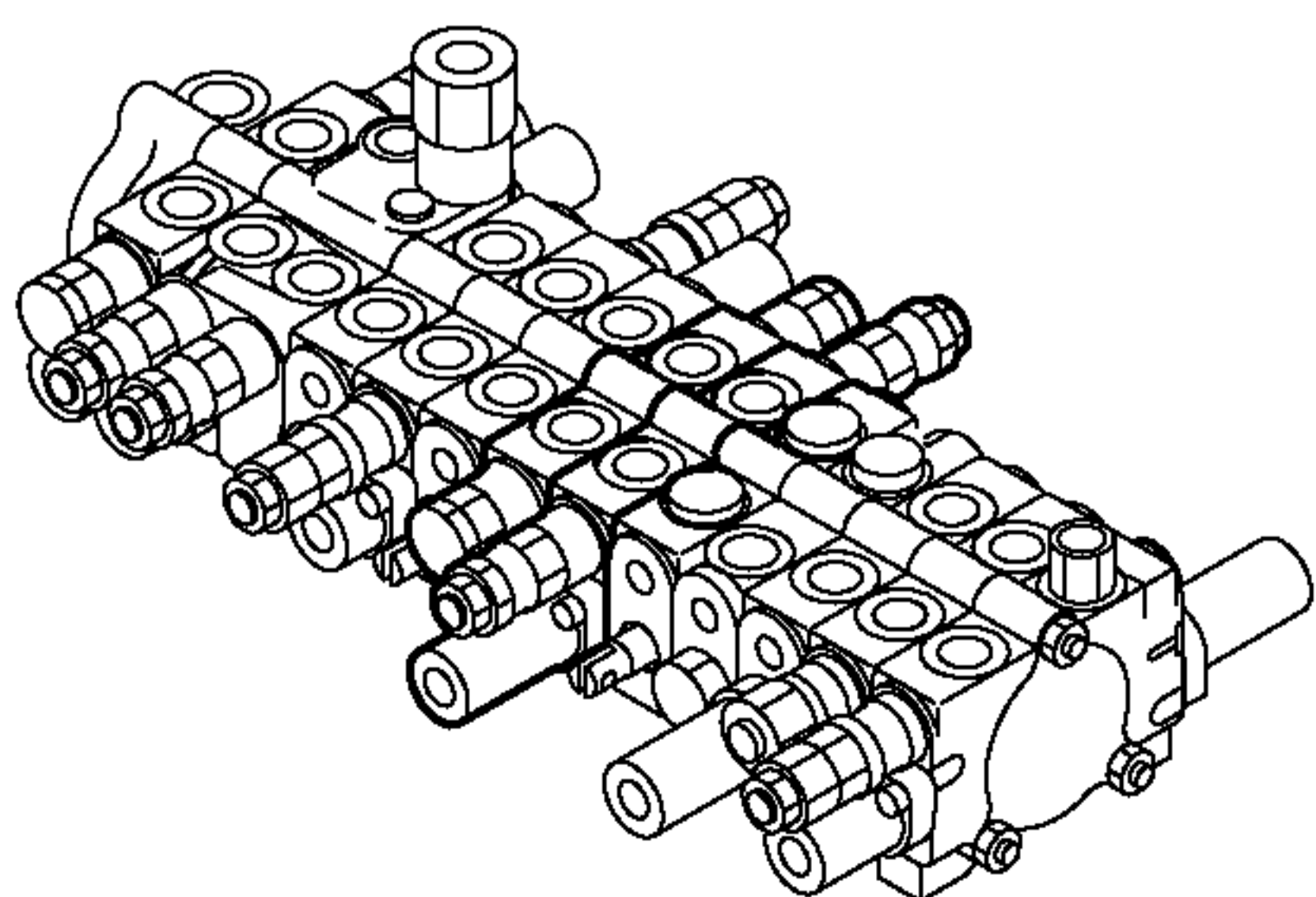
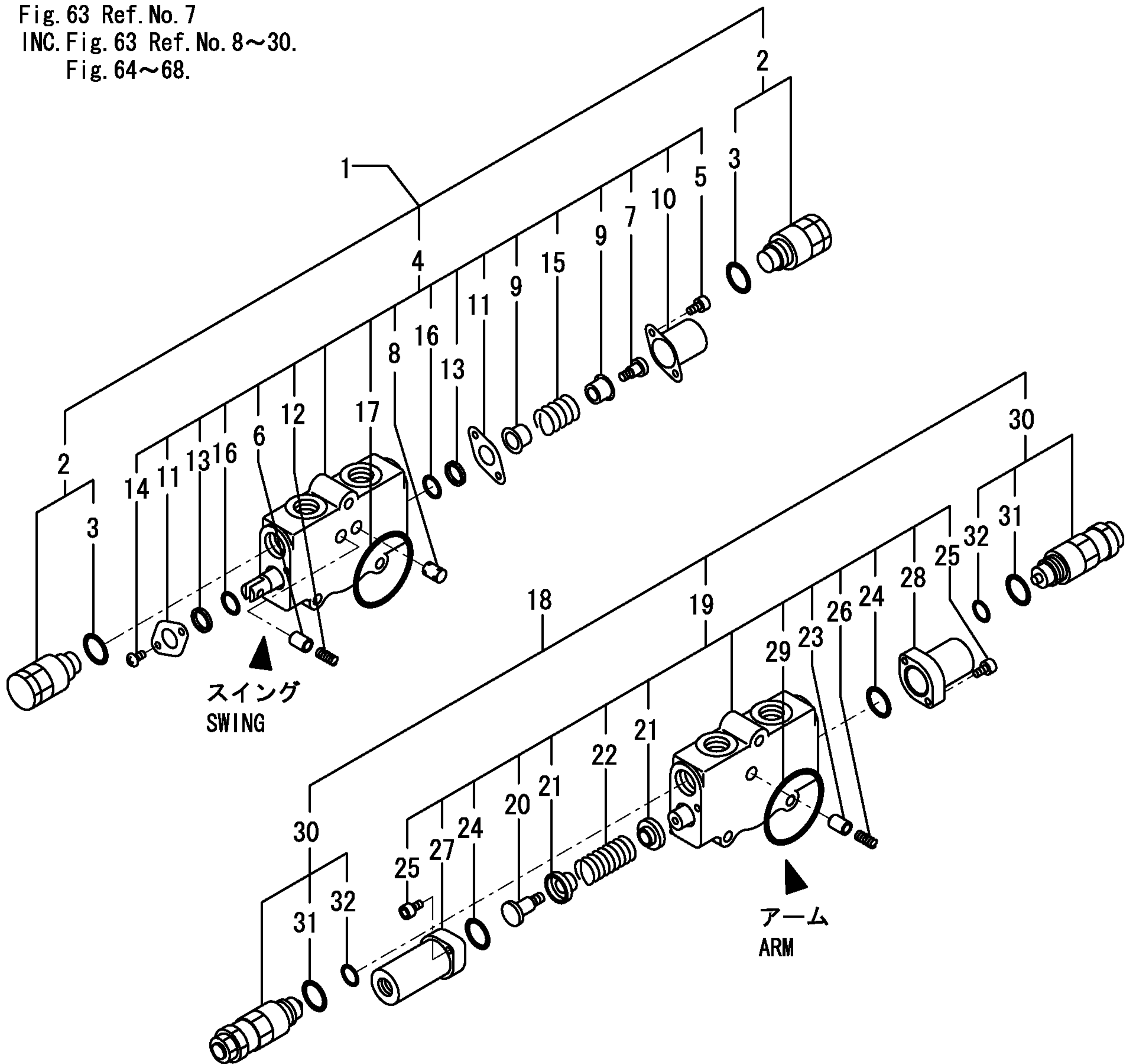
コントロールバルブASSY  
CONTROL VALVE ASSY  
172444-74400

項目63の見出しNo. 7は  
項目63の見出しNo. 8から30と  
項目64から68を含みます。

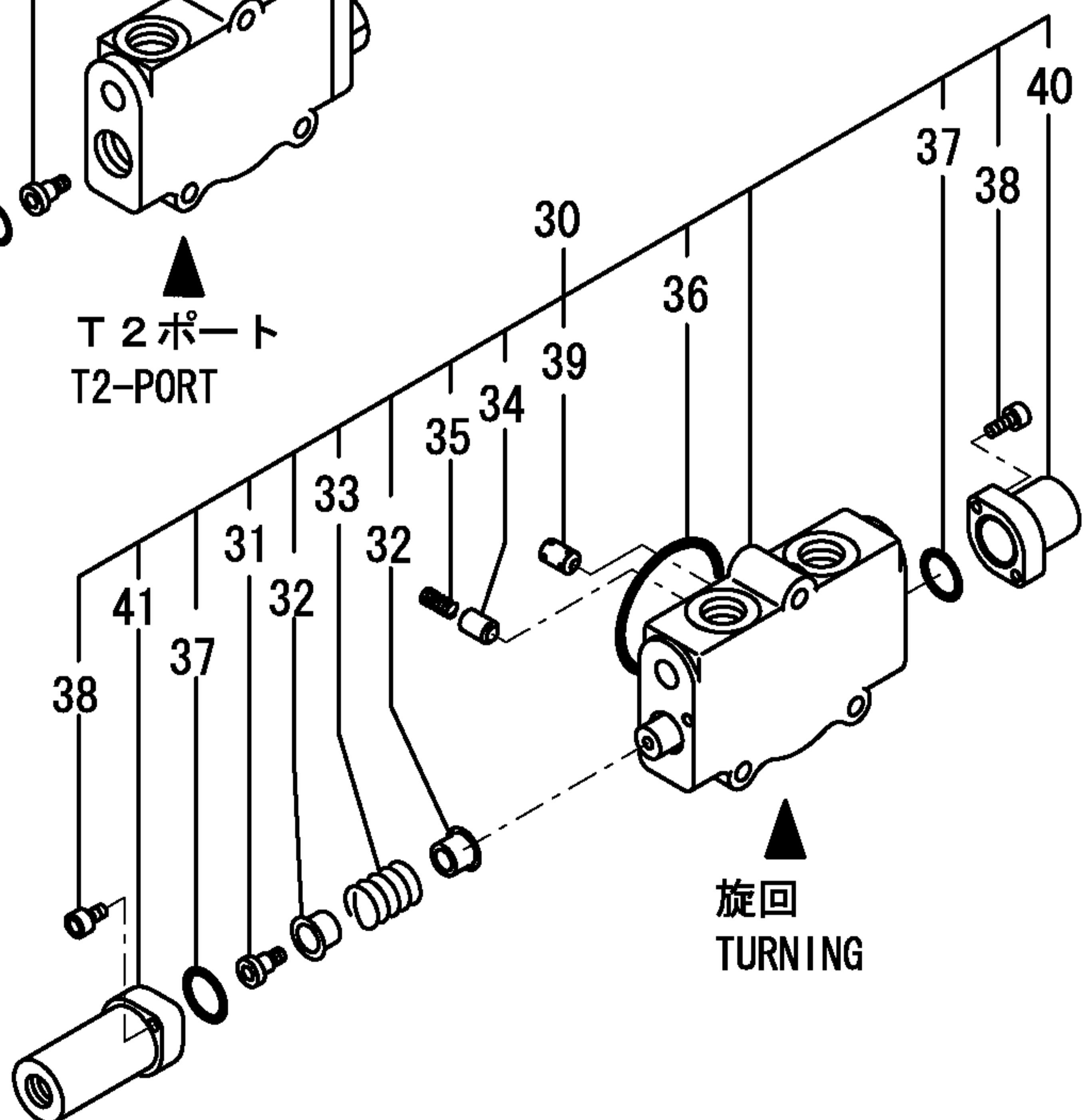
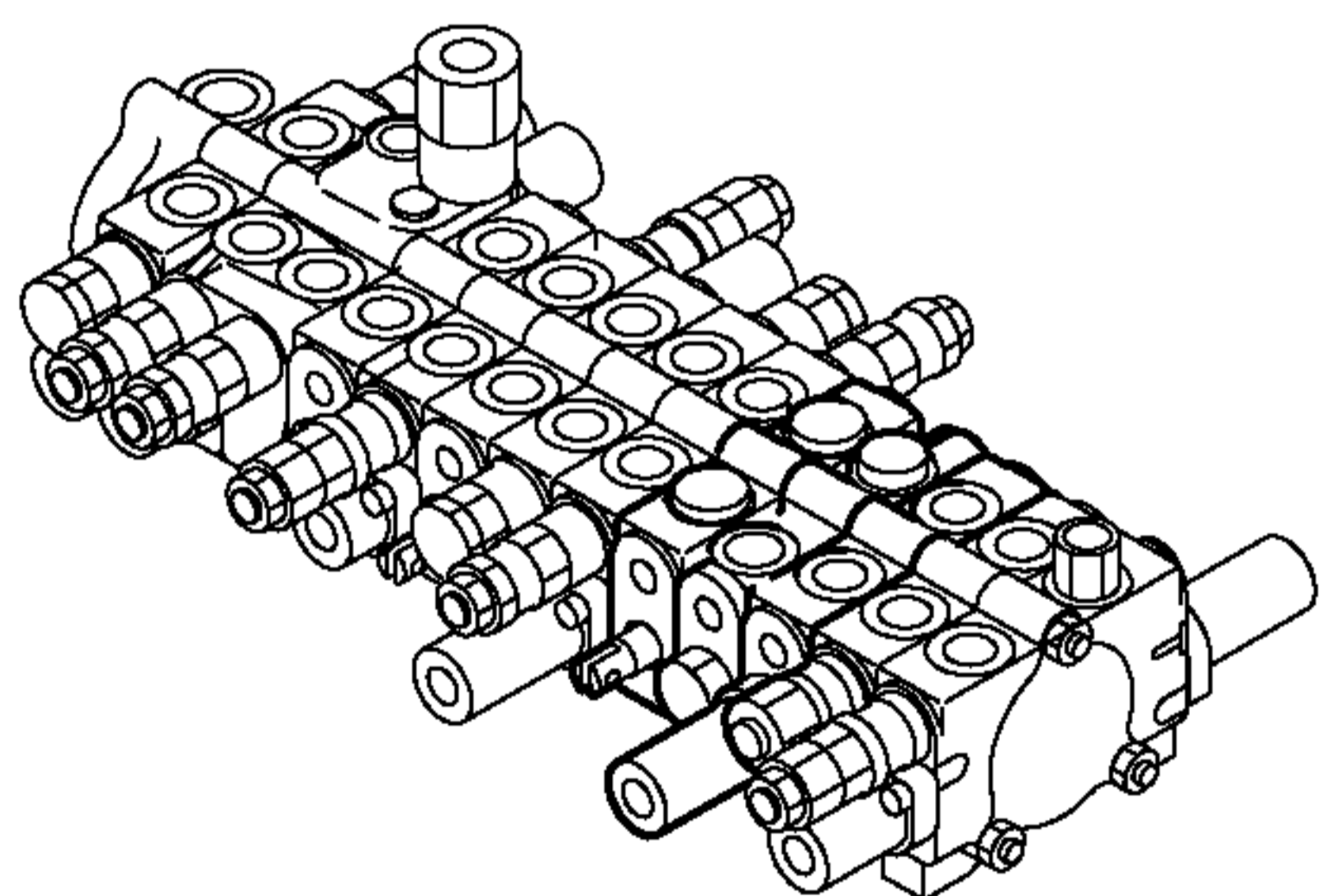
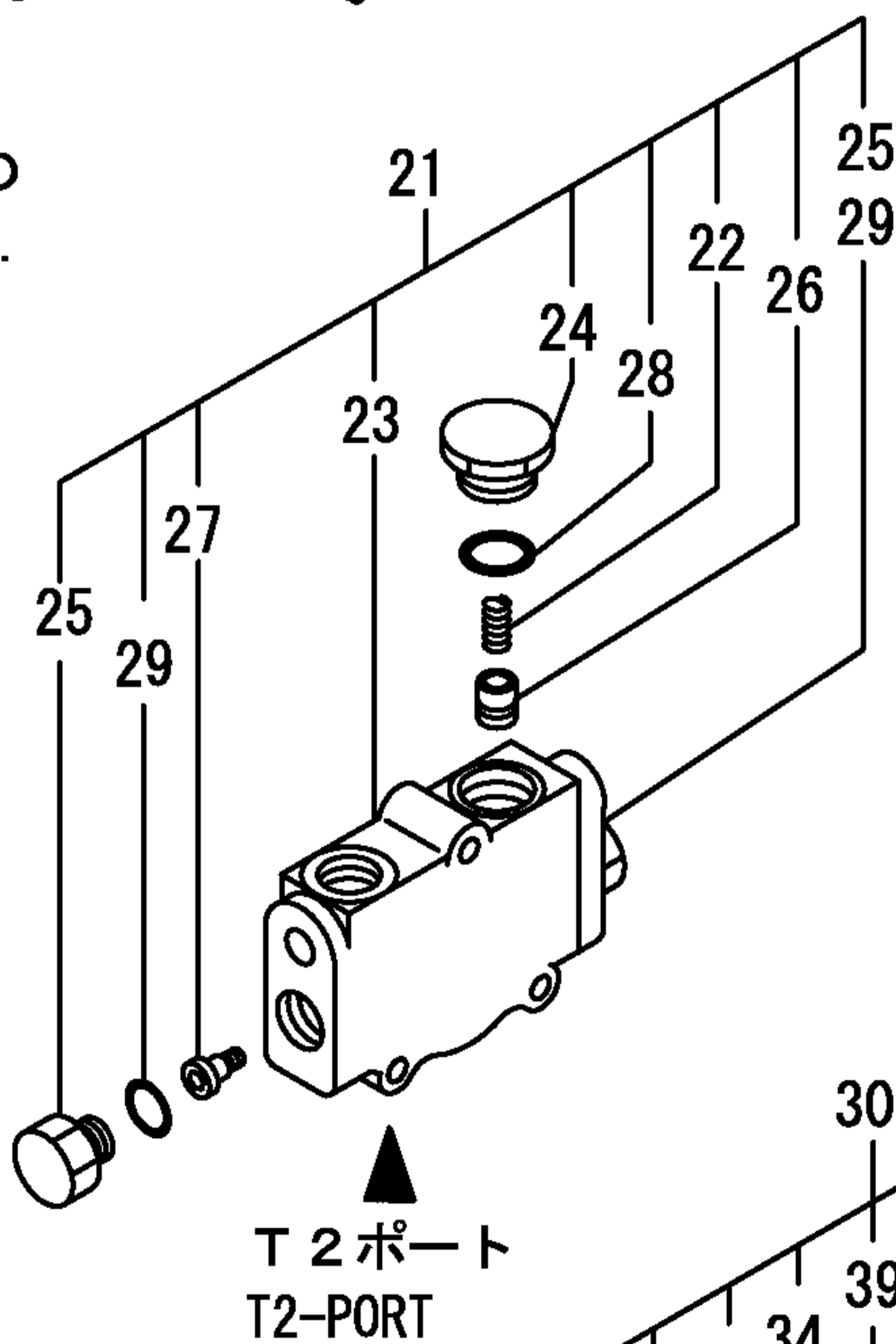
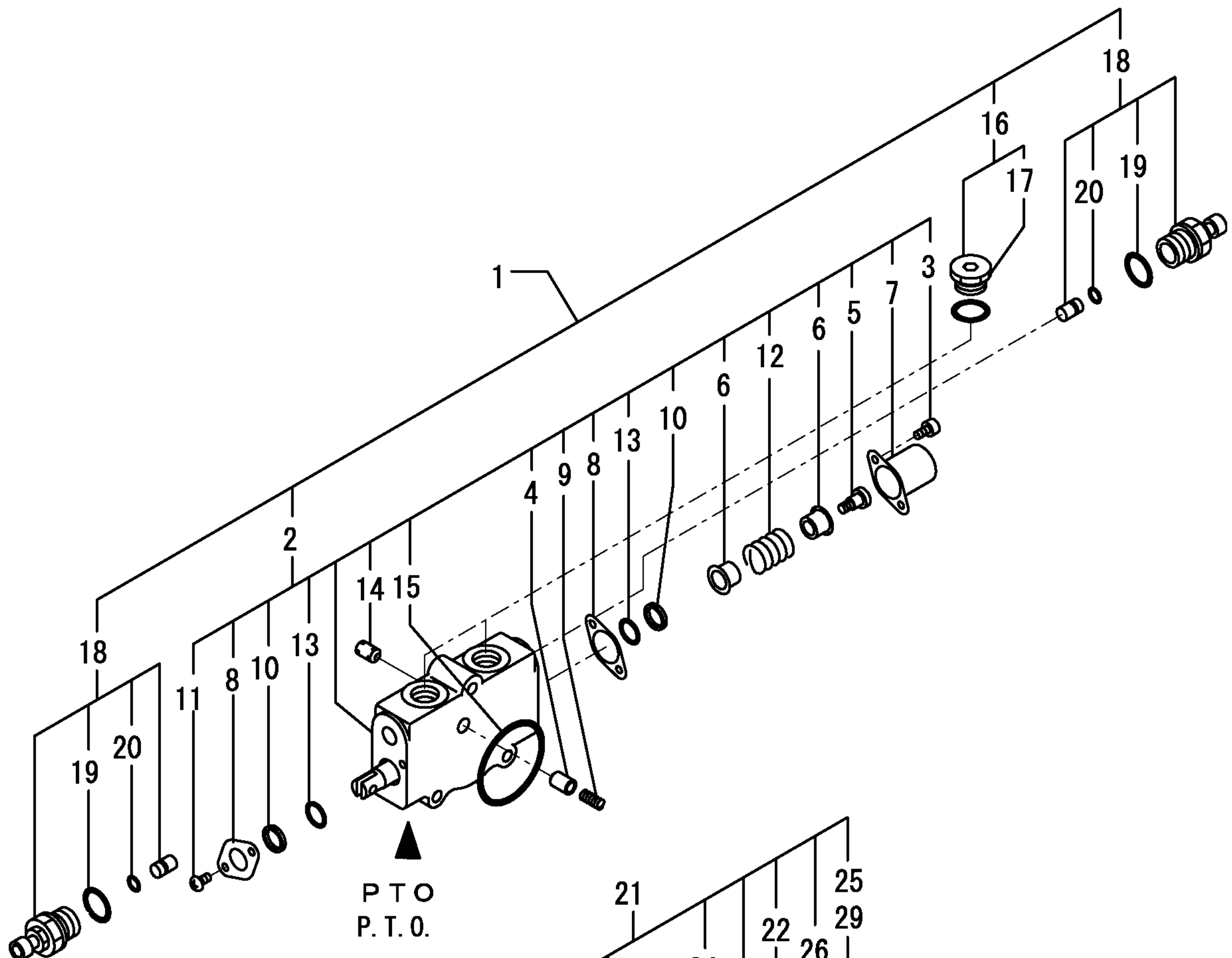
Fig. 63 Ref. No. 7

INC. Fig. 63 Ref. No. 8~30.

Fig. 64~68.

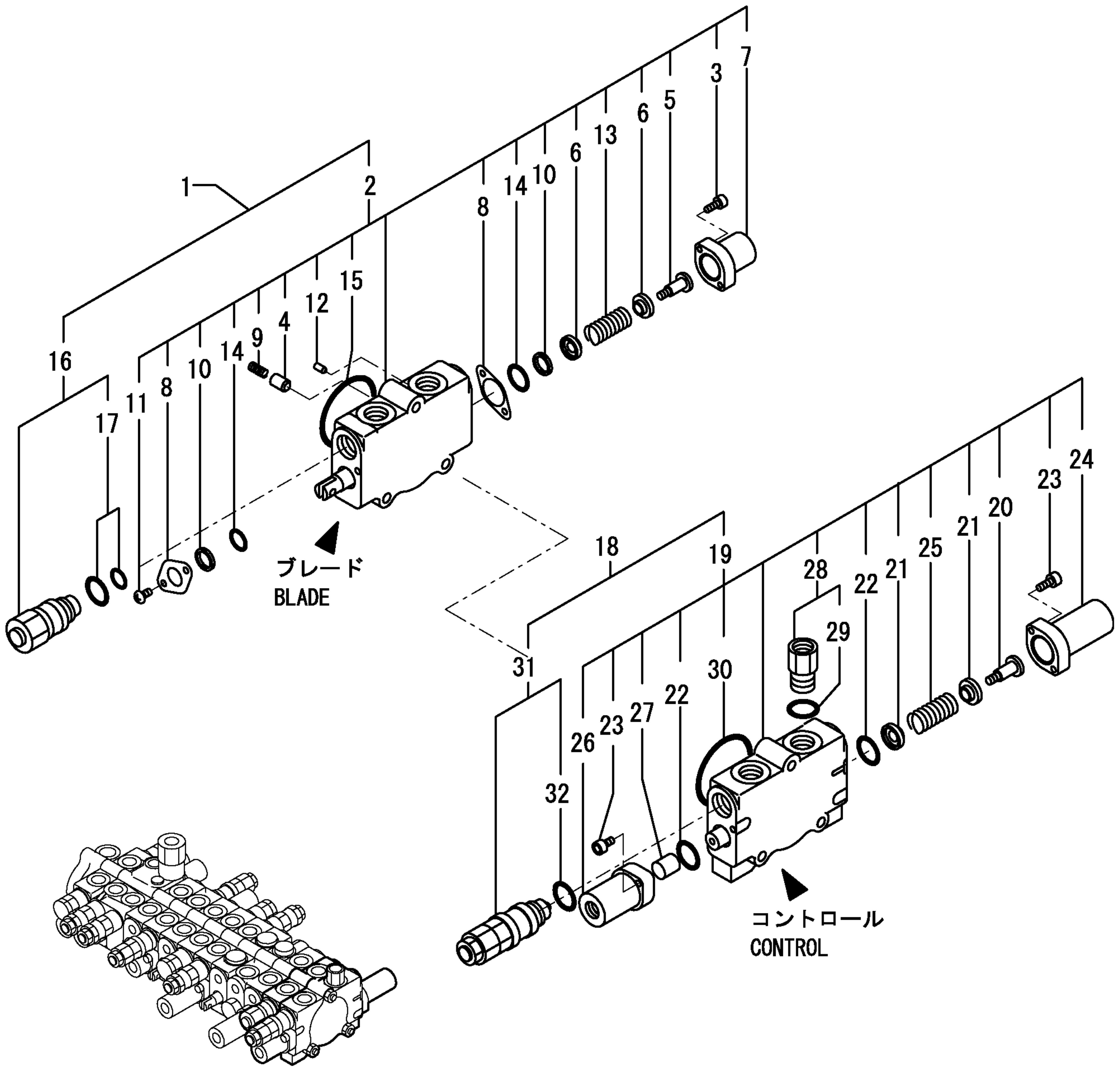


1,2,,172444-74410,, "SECTION,P.T.O.",1,1,,,,,,,,,,,,,  
2,3,,172444-74420,, "SPOOL SECTION,P.T.O.",1,1,,,,,,,,,,,,,  
3,4,,172176-73510,, "BOLT, SOCKET HEAD",2,2,,,,,,,,,,,,,I  
4,4,,172422-74210,, "VALVE, LOAD CHECK",1,1,,,,,,,,,,,,,I  
5,4,,172614-74230,, "SCREW, CAP",1,1,,,,,,,,,,,,,I  
6,4,,172614-74240,, "SEAT, SPRING",2,2,,,,,,,,,,,,,I  
7,4,,172614-74260,, CAP,1,1,,,,,,,,,,,,,I  
8,4,,172614-74270,, "PLATE, SEAL",2,2,,,,,,,,,,,,,I  
9,4,,172614-74280,, "SPRING, CHECK VALVE",1,1,,,,,,,,,,,,,I  
10,4,,172614-74290,, WIPER,2,2,,,,,,,,,,,,,  
11,4,,172614-74310,, SCREW,2,2,,,,,,,,,,,,,I  
12,4,,172422-74350,, SPRING,1,1,,,,,,,,,,,,,I  
13,4,,172422-74370,, O-RING,2,2,,,,,,,,,,,,,  
14,4,,172422-74460,, POPPET,1,1,,,,,,,,,,,,,I  
15,4,,24321-000550,, "O-RING 1A G-55.0",1,1,,,,,,,,,,,,,  
16,3,,172187-74540,, PLUG,2,2,,,,,,,,,,,,,I  
17,4,,24315-000140,, "O-RING 1B P-14.0",2,2,,,,,,,,,,,,,  
18,3,,172146-74720,, "VALVE ASSY, SHUT-OFF",2,2,,,,,,,,,,,,,  
19,4,,172116-74150,, O-RING,2,2,,,,,,,,,,,,,  
20,4,,24311-240100,, "O-RING 1A P-10A",2,2,,,,,,,,,,,,,  
21,2,,172444-74430,, "SECTION,SPACER",1,1,,,,,,,,,,,,,  
22,3,,172113-74190,, SPRING,1,1,,,,,,,,,,,,,I  
23,3,,172444-74440,, "SPACER HOUSING",1,1,,,,,,,,,,,,,I  
24,3,,172422-74490,, PLUG,1,1,,,,,,,,,,,,,I  
25,3,,172422-74500,, PLUG,2,2,,,,,,,,,,,,,I  
26,3,,172187-74520,, POPPET,1,1,,,,,,,,,,,,,I  
27,3,,23871-020000,, "PLUG PT1/4,SCREW",1,1,,,,,,,,,,,,,I  
28,3,,24315-000140,, "O-RING 1B P-14.0",1,1,,,,,,,,,,,,,  
29,3,,24315-000180,, "O-RING 1B P-18.0",2,2,,,,,,,,,,,,,  
30,2,,172444-74211,, "SPOOL SECTION",1,1,,,,,,,,,,,,,  
31,3,,172422-74170,, "SCREW, CAP",1,1,,,,,,,,,,,,,I  
32,3,,172422-74180,, "SEAT, SPRING",2,2,,,,,,,,,,,,,I  
33,3,,172422-74190,, SPRING,1,1,,,,,,,,,,,,,I  
34,3,,172422-74210,, "VALVE, LOAD CHECK",1,1,,,,,,,,,,,,,I  
35,3,,172164-74280,, "SECTION ASSY, SPOOL",1,1,,,,,,,,,,,,,I  
36,3,,24321-000550,, "O-RING 1A G-55.0",1,1,,,,,,,,,,,,,  
37,3,,172422-74220,, O-RING,2,2,,,,,,,,,,,,,  
38,3,,172422-74230,, "BOLTE,SOCKET HEAD",4,4,,,,,,,,,,,,,I  
39,3,,172422-74240,, POPPET,1,1,,,,,,,,,,,,,I  
40,4,,172444-74310,, CAP,1,1,,,,,,,,,,,,,I  
41,4,,172444-74300,, CAP,1,1,,,,,,,,,,,,,I



コントロールバルブASSY  
 CONTROL VALVE ASSY  
 172444-74400  
 項目63の見出しNo. 7は  
 項目63の見出しNo. 8から30と  
 項目64から68を含みます。  
 Fig. 63 Ref. No. 7  
 INC. Fig. 63 Ref. No. 8~30.  
 Fig. 64~68.

1,2,,172444-74160,, "SECTION, BLADE", 1,1,,,,,,,,,,,,,  
2,3,,172444-74280,, "SPOOL SECTION, BLADE", 1,1,,,,,,,,,,,,,  
3,4,,172176-73510,, "BOLT, SOCKET HEAD", 2,2,,,,,,,,,,,,,I  
4,4,,172422-74210,, "VALVE, LOAD CHECK", 1,1,,,,,,,,,,,,,I  
5,4,,172614-74230,, "SCREW, CAP", 1,1,,,,,,,,,,,,,I  
6,4,,172614-74240,, "SEAT, SPRING", 2,2,,,,,,,,,,,,,I  
7,4,,172614-74260,, "CAP", 1,1,,,,,,,,,,,,,I  
8,4,,172614-74270,, "PLATE, SEAL", 2,2,,,,,,,,,,,,,I  
9,4,,172614-74280,, "SPRING, CHECK VALVE", 1,1,,,,,,,,,,,,,I  
10,4,,172614-74290,, "WIPER", 2,2,,,,,,,,,,,,,  
11,4,,172614-74310,, "SCREW", 2,2,,,,,,,,,,,,,I  
12,4,,172444-74330,, "POPPET", 1,1,,,,,,,,,,,,,I  
13,4,,172422-74350,, "SPRING", 1,1,,,,,,,,,,,,,I  
14,4,,172422-74370,, "O-RING", 2,2,,,,,,,,,,,,,  
15,4,,24321-000550,, "O-RING 1A G-55.0", 1,1,,,,,,,,,,,,,  
16,3,,172422-74590,, "VALVE", 1,1,,,,,,,,,,,,,  
17,4,,172422-74620,, "SEAL KIT", 1,1,,,,,,,,,,,,,  
18,2,,172444-74170,, "SECTION, CONTROL", 1,1,,,,,,,,,,,,,  
19,3,,172444-74290,, "SPOOL SECTION", 1,1,,,,,,,,,,,,,  
20,4,,172422-74170,, "SCREW, CAP", 1,1,,,,,,,,,,,,,I  
21,4,,172422-74180,, "SEAT, SPRING", 2,2,,,,,,,,,,,,,I  
22,4,,172422-74220,, "O-RING", 2,2,,,,,,,,,,,,,  
23,4,,172422-74230,, "BOLTE, SOCKET HEAD", 4,4,,,,,,,,,,,,,I  
24,4,,172444-74300,, "CAP", 1,1,,,,,,,,,,,,,I  
25,4,,172444-74340,, "SPRING", 1,1,,,,,,,,,,,,,I  
26,4,,172444-74350,, "CAP", 1,1,,,,,,,,,,,,,I  
27,4,,172444-74360,, "PISTON", 1,1,,,,,,,,,,,,,I  
28,4,,172422-74540,, "PLUG", 1,1,,,,,,,,,,,,,I  
29,4,,24315-000180,, "O-RING 1B P-18.0", 1,1,,,,,,,,,,,,,  
30,4,,24321-000550,, "O-RING 1A G-55.0", 1,1,,,,,,,,,,,,,  
31,3,,172164-74330,, "VALVE 175/25, RELIEF", 1,1,,,,,,,,,,,,,  
32,4,,172116-74150,, "O-RING", 1,1,,,,,,,,,,,,,



コントロールバルブASSY  
 CONTROL VALVE ASSY  
 172444-74400

項目63の見出しNo. 7は  
 項目63の見出しNo. 8から30と  
 項目64から68を含みます。

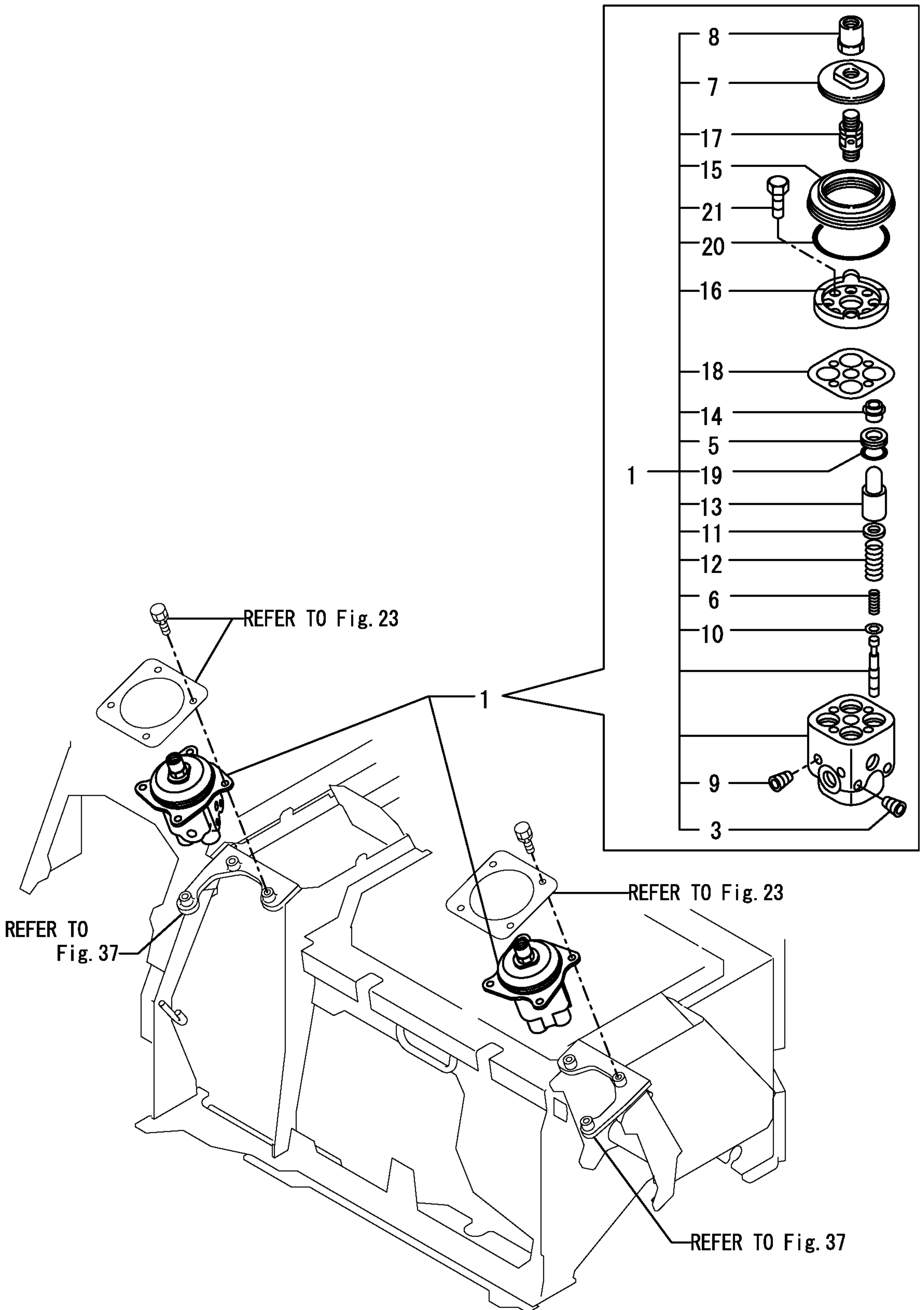
Fig. 63 Ref. No. 7

INC. Fig. 63 Ref. No. 8~30.

Fig. 64~68.

1,1,,172187-74600,, "REMO-CON VALVW ASSY",2,2,2,,,,,,,,,,,,,  
3,2,,172164-74560,, PLUG,4,4,4,,,,,,,,,,,,,I  
5,2,,172164-74610,, COLLAR,8,8,8,,,,,,,,,,,,,I  
7,2,,172164-74620,, DISC,2,2,2,,,,,,,,,,,,,  
8,2,,172164-74630,, NUT,2,2,2,,,,,,,,,,,,,  
9,2,,172164-74650,, PLUG,4,4,4,,,,,,,,,,,,,I  
10,2,,172151-74860,, "SHIM(COUNT. SET",8,8,8,,,,,,,,,,,,,  
11,2,,172151-74880,, RETAINER,8,8,8,,,,,,,,,,,,,I  
12,2,,172151-74890,, "SP (SYN.",8,8,8,,,,,,,,,,,,,  
13,2,,172151-74900,, PISTON,8,8,8,,,,,,,,,,,,,I  
14,2,,172151-74910,, SEAL,8,8,8,,,,,,,,,,,,,  
15,2,,172151-74930,, BOOT,2,2,2,,,,,,,,,,,,,  
16,2,,172151-74940,, PLATE,2,2,2,,,,,,,,,,,,,I  
17,2,,172151-74950,, UNION,2,2,2,,,,,,,,,,,,,  
18,2,,172151-74980,, PLATE,2,2,2,,,,,,,,,,,,,I  
19,2,,24311-000200,, "O-RING 1A P-20.0",8,8,8,,,,,,,,,,,,,  
20,2,,24321-000700,, "O-RING 1A G70.0,NBR",2,2,2,,,,,,,,,,,,,  
21,2,,26116-060202,, "BOLT M 6X 20",8,8,8,,,,,,,,,,,,,

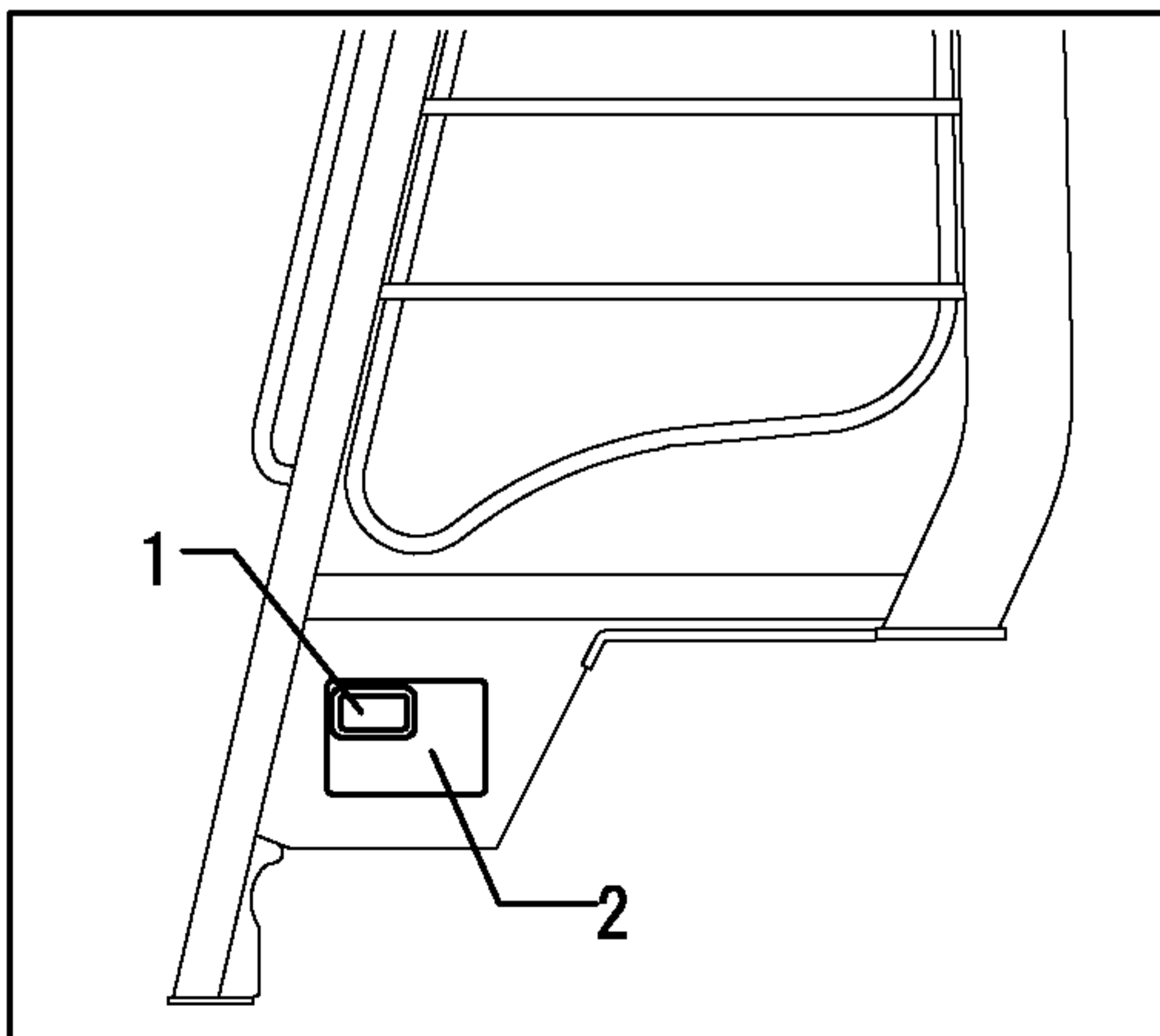
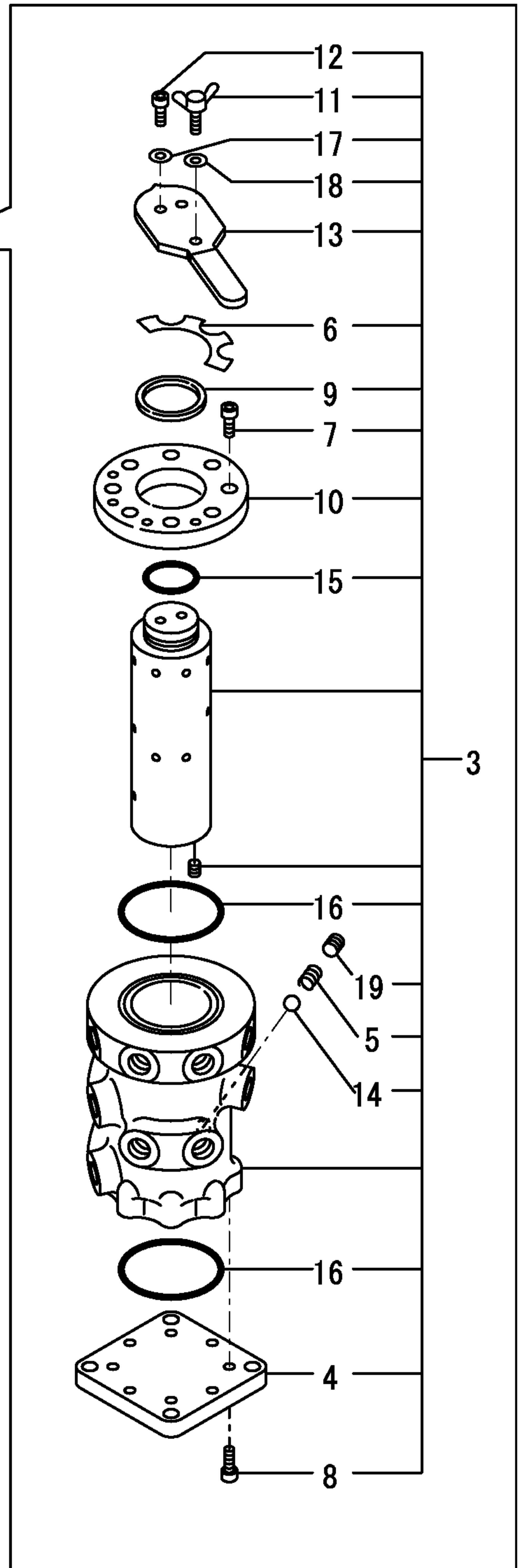
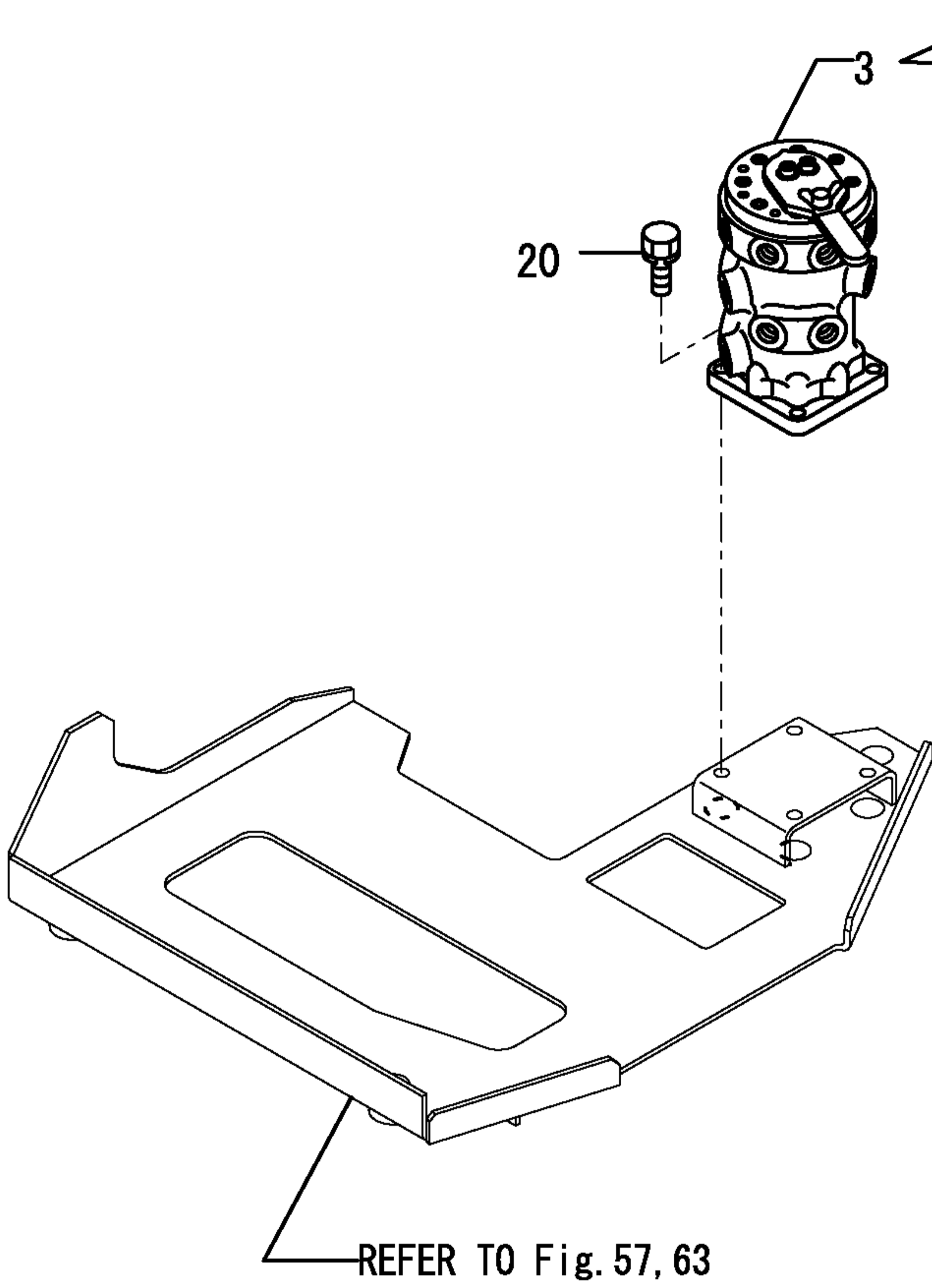




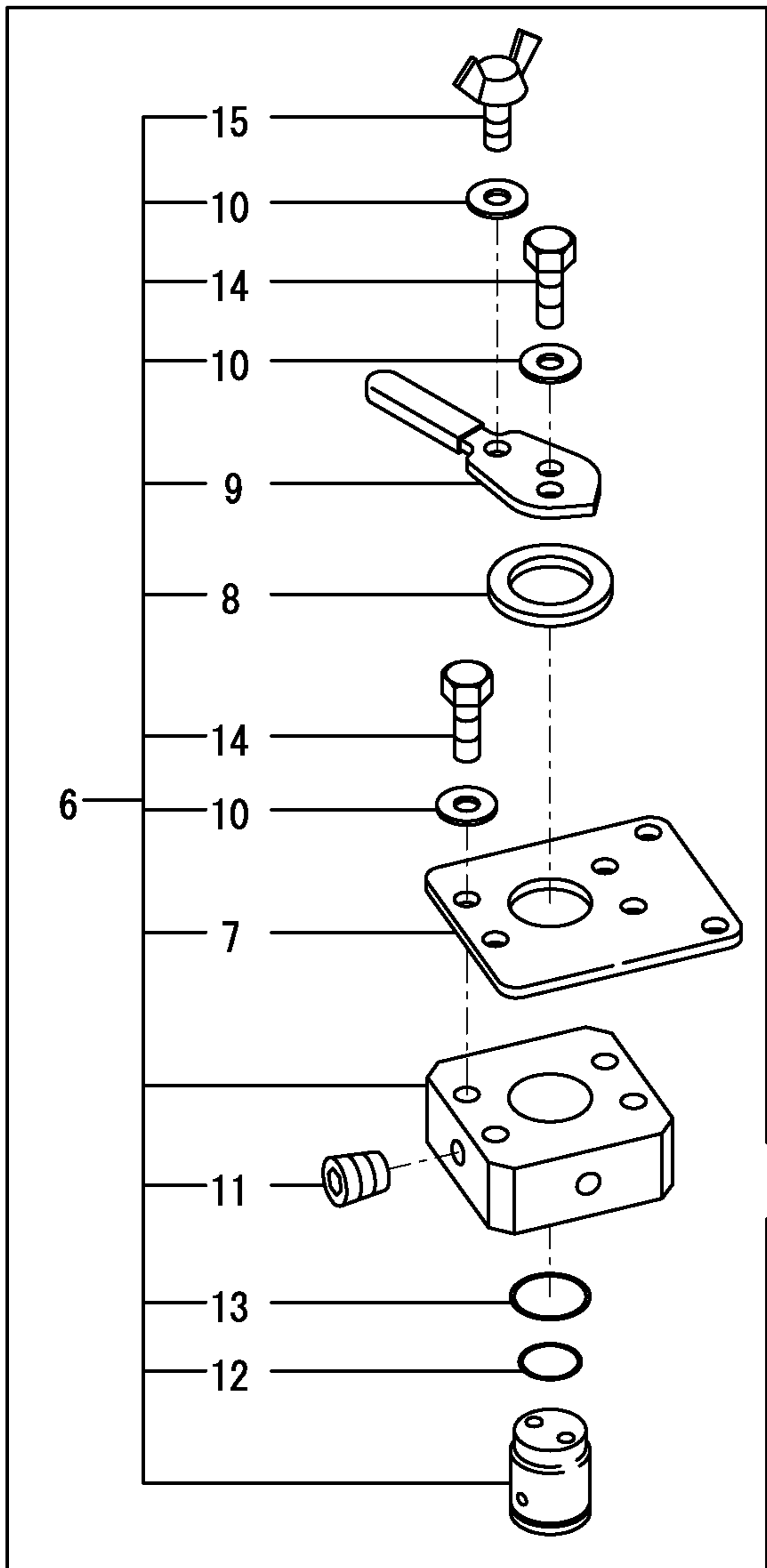
1,1,,172444-03290,,MAGNET,1,1,1,,,,,,,,,,,,,  
2,1,,172151-03550,,,"LABEL,PATTERN B",1,1,1,,,,,,,,,,,,,  
3,1,,172151-74601,,VALVE,1,1,1,,,,,,,,,,,,,  
4,2,,182900-16530,,COVER,1,1,1,,,,,,,,,,,,,  
5,2,,182900-22300,,SPRING,1,1,1,,,,,,,,,,,,,  
6,2,,172151-74740,,,"PLATE, MARK",1,1,1,,,,,,,,,,,,,  
7,2,,182900-77190,,BOLT,8,8,8,,,,,,,,,,,,,  
8,2,,182900-77200,,BOLT,8,8,8,,,,,,,,,,,,,  
9,2,,182900-77210,,,"DUST SEAL",1,1,1,,,,,,,,,,,,,  
10,2,,182900-77220,,COVER,1,1,1,,,,,,,,,,,,,  
11,2,,182900-77230,,,"WING BOLT",1,1,1,,,,,,,,,,,,,  
12,2,,182900-77240,,BOLT,2,2,2,,,,,,,,,,,,,  
13,2,,182900-77250,,LEVER,1,1,1,,,,,,,,,,,,,  
14,2,,24190-100001,,,"BALL 5/16, STEEL",1,1,1,,,,,,,,,,,,,  
15,2,,24311-000280,,,"O-RING 1A P-28.0",1,1,1,,,,,,,,,,,,,  
16,2,,24321-000600,,,"O-RING 1A G-60.0",2,2,2,,,,,,,,,,,,,  
17,2,,953KM0-00220,,WASHER,2,2,2,,,,,,,,,,,,,  
18,2,,953KM0-00220,,WASHER,1,1,1,,,,,,,,,,,,,  
19,2,,953KM0-10894,,,"PLUG PT1/8",1,1,1,,,,,,,,,,,,,  
20,1,,26013-100202,,,"BOLT W/WASHER M10X20",3,3,3,,,,,,,,,,,,,

172444-08510

4ウェイマルチバルブキットは、項目108を参照ください。  
4-WAY MULTI VALVE KIT is shown in Fig. 108.



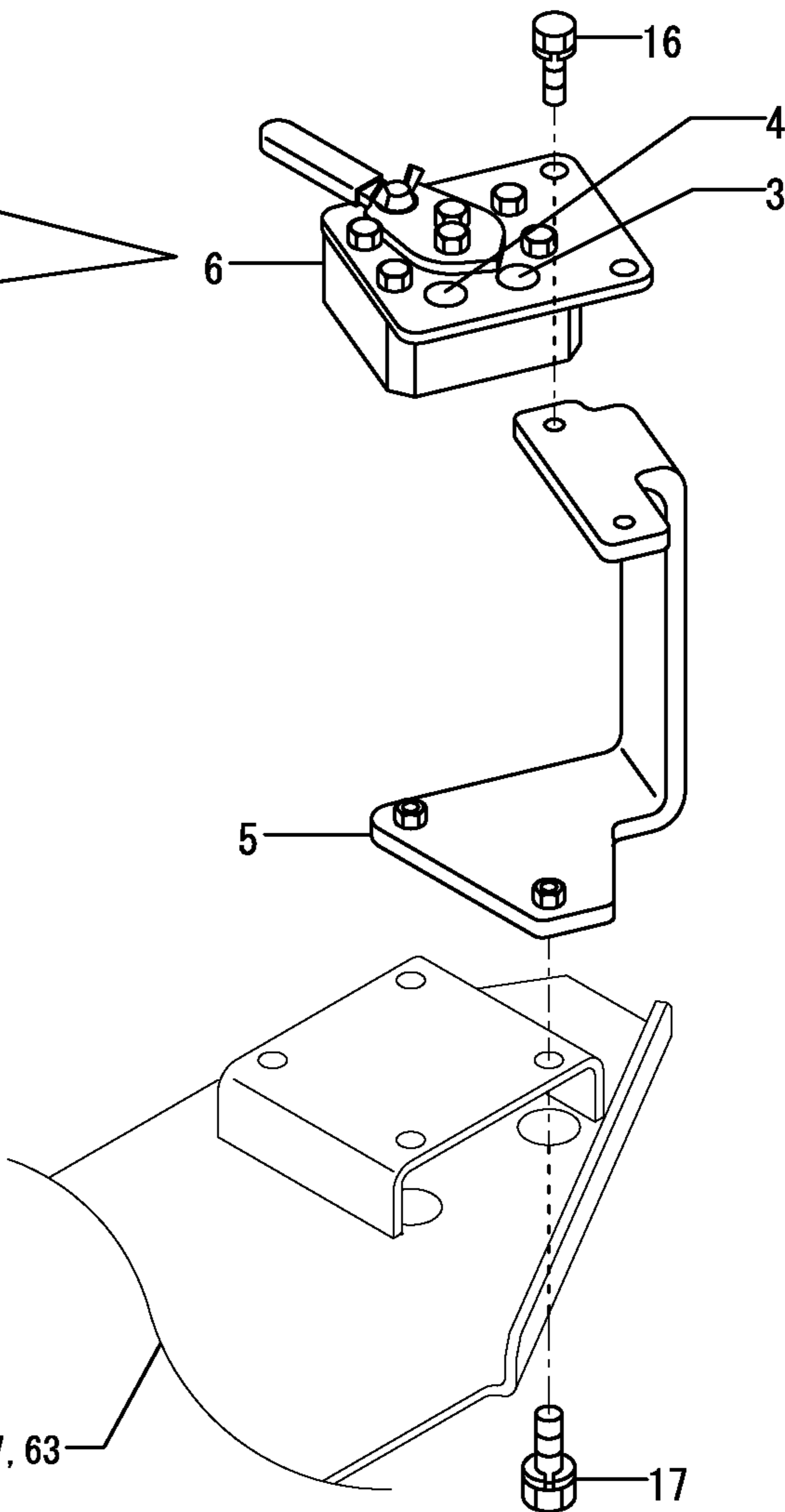
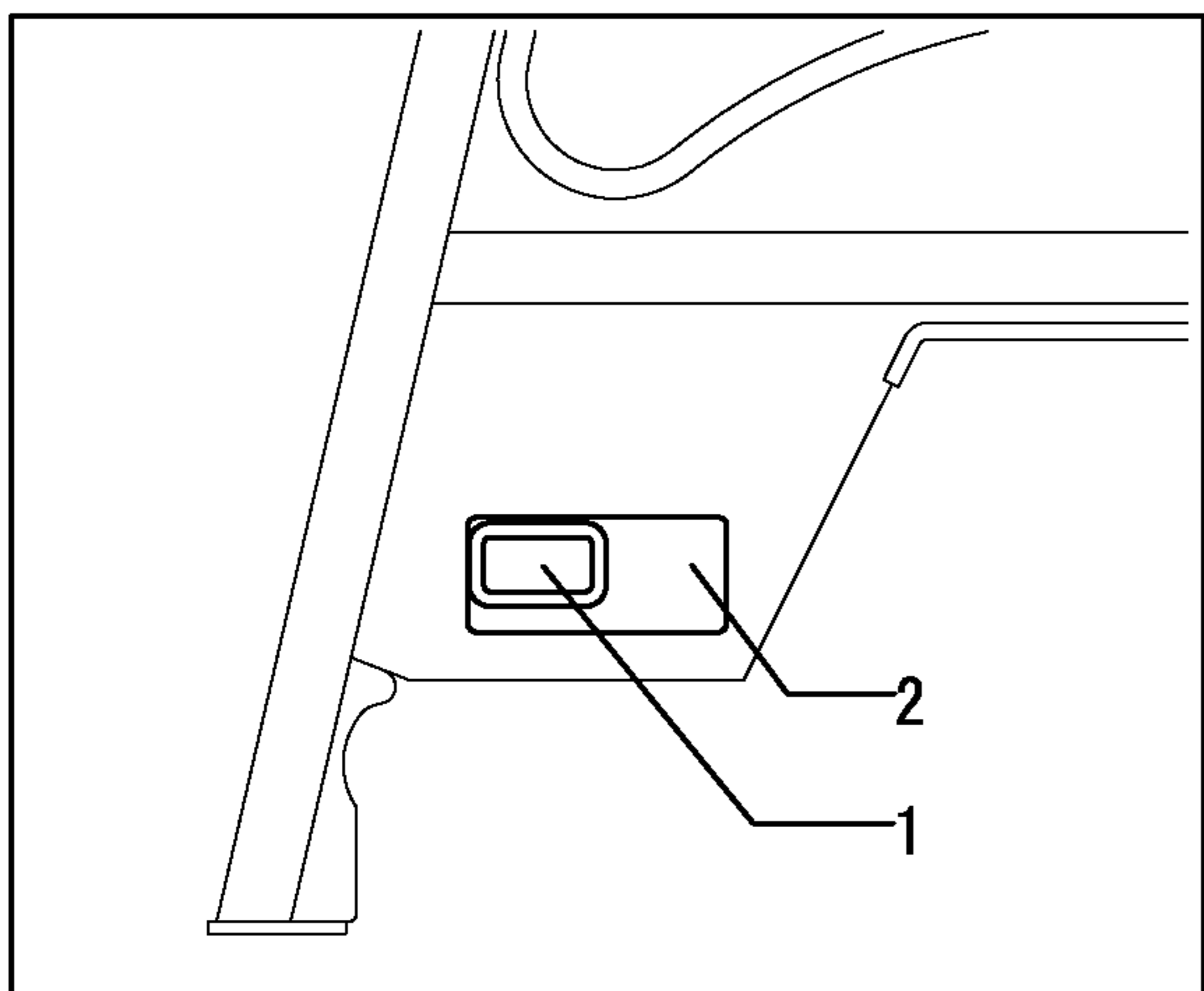
1,1,,172444-03290,,MAGNET,1,1,,,,,,,,,,,,,  
2,1,,172173-03550,,,"LABEL (2-WAY",1,1,,,,,,,,,,,,,  
3,1,,172173-03560,,,"LABEL (YANMAR",1,1,,,,,,,,,,,,,  
4,1,,172173-03570,,,"LABEL (KOMATSU",1,1,,,,,,,,,,,,,  
5,1,,172444-74500,,MOUNT,1,1,,,,,,,,,,,,,  
6,1,,172173-74600,,,"2-WAY MULTI-VALVE",1,1,,,,,,,,,,,,,  
7,2,,172173-74610,,PLATE,1,1,,,,,,,,,,,,,  
8,2,,172175-74720,,GASKET,1,1,,,,,,,,,,,,,  
9,2,,172175-74730,,LEVER,1,1,,,,,,,,,,,,,  
10,2,,172151-74760,,WASHER,7,7,,,,,,,,,,,,,  
11,2,,23871-010000,,,"PLUG PT1/8,SCREW",8,8,,,,,,,,,,,,,  
12,2,,24311-000250,,,"O-RING 1A P-25.0",1,1,,,,,,,,,,,,,  
13,2,,24311-000320,,,"O-RING 1A P-32.0",1,1,,,,,,,,,,,,,  
14,2,,26116-060162,,,"BOLT 6X16",6,6,,,,,,,,,,,,,  
15,2,,26647-060202,,,"WING BOLT M 6X20",1,1,,,,,,,,,,,,,  
16,1,,26013-080252,,,"BOLT M 8X 25",2,2,,,,,,,,,,,,,  
17,1,,26013-100252,,,"BOLT W/WASHER M10X25",2,2,,,,,,,,,,,,,



172444-08520

2ウェイマルチバルブキットは、項目109を参照下さい。

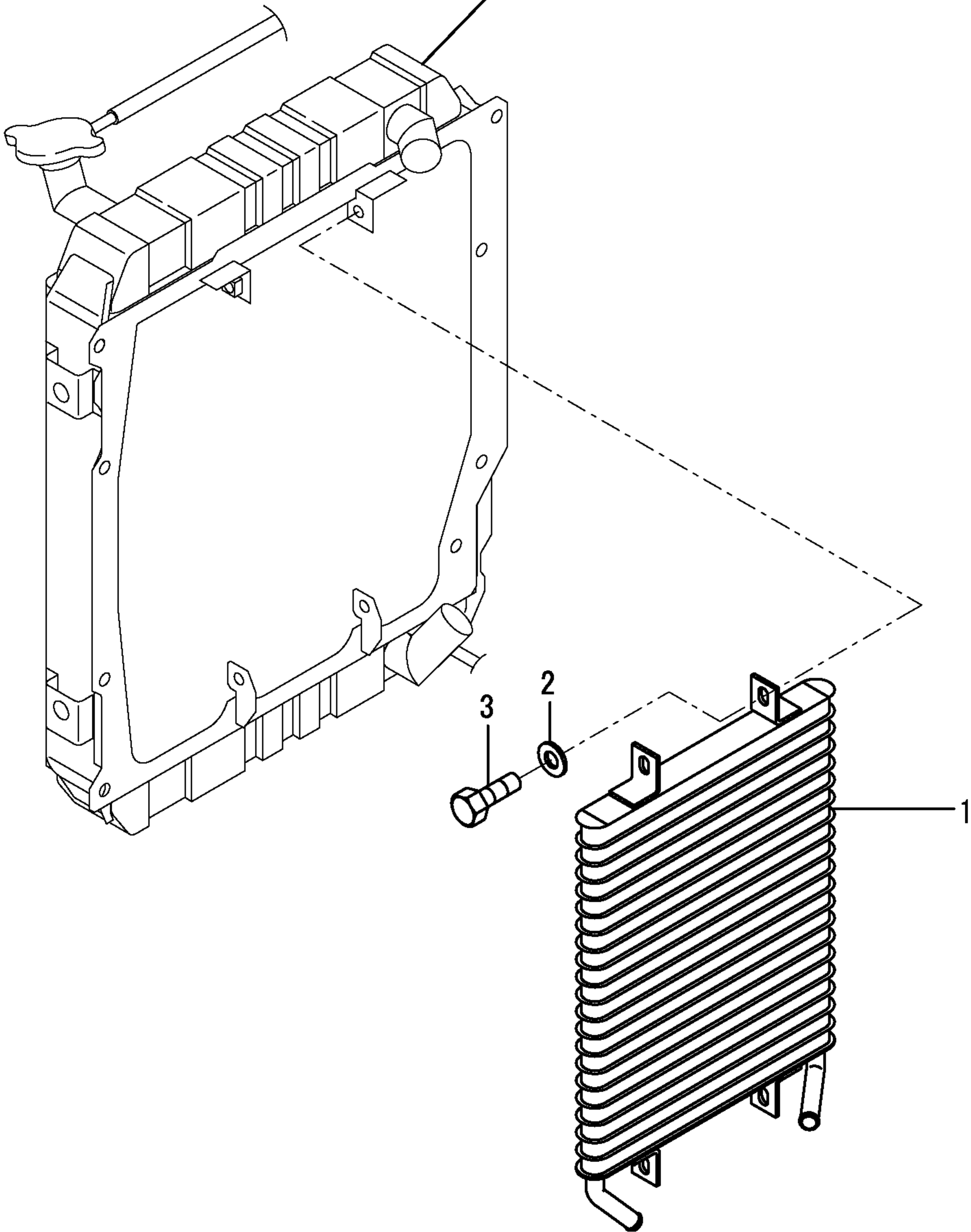
2-WAY MULTI VALVE KIT is shown in Fig. 109.



REFER TO Fig. 57, 63

1,1,,172422-74800,, "COOLER, OIL",1,1,1,,,,,,,,,,,,,  
2,1,,22137-080000,, "WASHER 8, POLISHED",4,4,4,,,,,,,,,,,,,  
3,1,,26013-080202,, "BOLT W/WASHER M8X20",4,4,4,,,,,,,,,,,,,

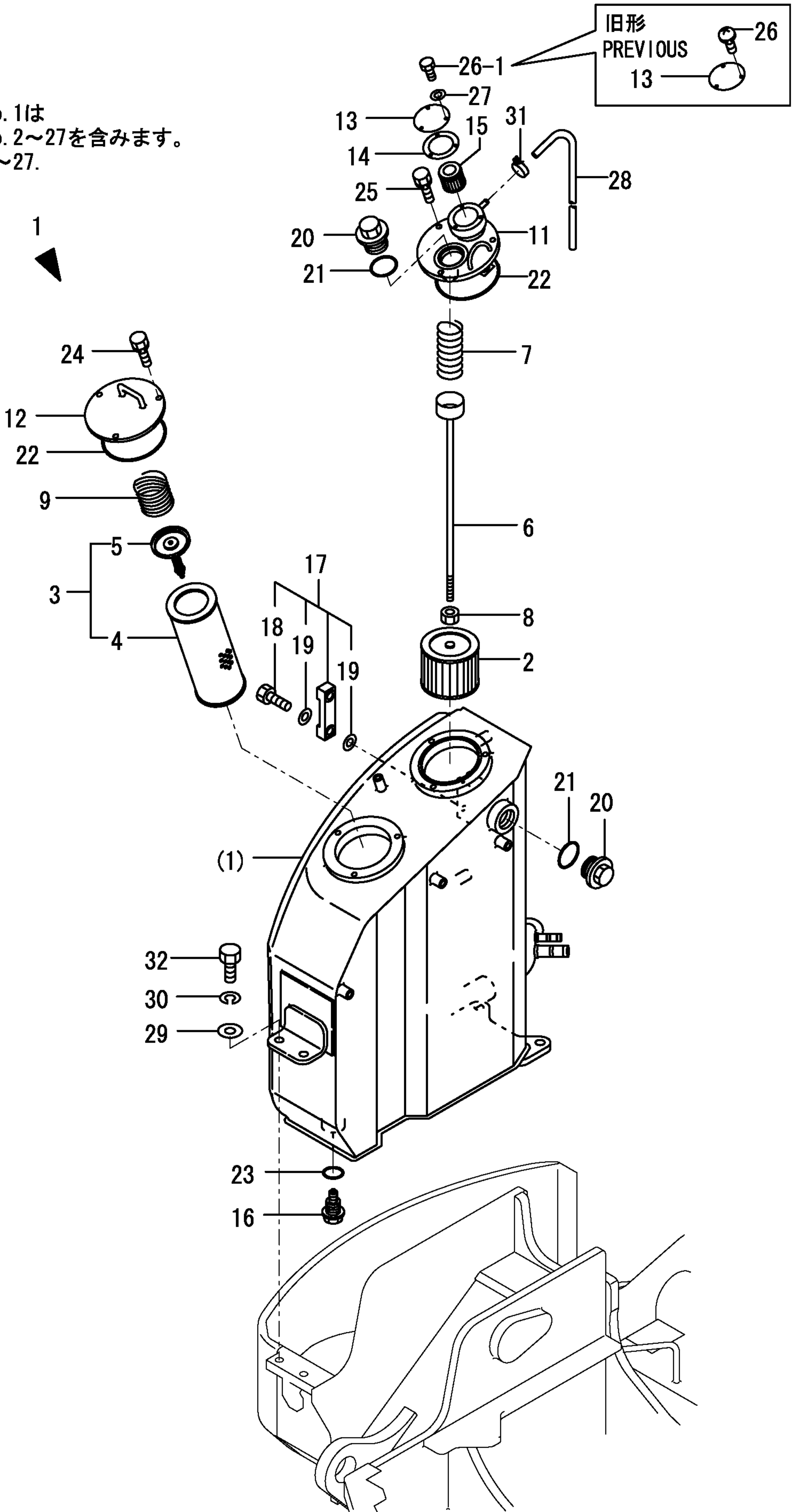
REFER TO Fig. 10





1,1,,772444-75100,, "RESERVOR (GREEN:96)",1,1,,,,,,,,,,,,,  
1-1,1,,772444-75101,, "RESERVOR  
(GREEN:96)",,1,1,,,R,,,,,72460302,M/#36739,,,,,,,,,I  
2,2,,172137-73700,, "FILTER, SUCTION",1,1,1,,,,,,,,,,,,,  
3,2,,172175-73700,, "FILTER ASSY, RETURN",1,1,1,,,,,,,,,,,,,  
4,3,,172175-73710,, ELEMENT,1,1,1,,,,,,,,,,,,,  
5,3,,172141-73770,, "VALVE ASSY, BYPASS",1,1,1,,,,,,,,,,,,,  
6,2,,172187-73710,, "SHAFT, FILTER",1,1,,,,,,,,,,,,,  
6-1,2,,172187-73711,, "SHAFT, FILTER",,1,1,,,R,,,,,72490001,M/#36837,,,,,,,,,I  
7,2,,172112-75780,, "SPRING, STRAINER",1,1,1,,,,,,,,,,,,,  
8,2,,26716-100002,, "NUT 10",1,1,1,,,,,,,,,,,,,  
9,2,,933152-02710,, "SPRING, SIDE CLUTCH",1,1,1,,,,,,,,,,,,,  
11,2,,172444-75340,, COVER,1,1,1,,,,,,,,,,,,,  
12,2,,172141-75430-4,, "COVER, INTAKE",1,1,1,,,,,,,,,,,,,  
13,2,,172165-75450-5,, "PLATE (GREEN:96)",1,1,1,,,,,,,,,,,,,  
14,2,,172165-75460,, GASKET,1,1,1,,,,,,,,,,,,,  
15,2,,172165-75481,, ELEMENT,1,1,1,,,,,,,,,,,,,  
16,2,,172187-75500,, "PLUG 24",1,1,1,,,,,,,,,,,,,  
17,2,,172122-75600,, "GAUGE, OIL LEVEL",1,1,1,,,,,,,,,,,,,  
18,3,,172122-75620,, BOLT,2,2,2,,,,,,,,,,,,,  
19,3,,172122-75630,, GASKET,4,4,4,,,,,,,,,,,,,  
20,2,,172116-75850-5,, "PLUG, OIL FEED (96)",2,2,2,,,,,,,,,,,,,  
21,2,,24311-000380,, "O-RING 1A P-38.0",2,2,2,,,,,,,,,,,,,  
22,2,,24321-001050,, "O-RING 1A G-105.0",2,2,2,,,,,,,,,,,,,  
23,2,,24341-000300,, "O-RING 1A S-30.0",1,1,1,,,,,,,,,,,,,  
24,2,,26013-080202,, "BOLT W/WASHER M8X20",3,3,3,,,,,,,,,,,,,  
25,2,,26013-080252,, "BOLT M 8X 25",3,3,3,,,,,,,,,,,,,  
26,2,,26022-050102,, "SCREW M 5X 10",3,3,,,,,,,,,,,,,  
26-1,2,,26116-050102,, "BOLT M 5X 10  
PLATED",,3,3,,,R,,,,,72460302,M/#36739,,,,,,,,,I  
27,2,,22217-050000,, "SPRING WASHER 5",,3,3,,,W,,,,,72460302,M/#36739,,,,,,,,,  
28,1,,172183-75360,, HOSE,1,1,1,,,,,,,,,,,,,  
29,1,,22137-140000,, "WASHER 14, POLISHED",4,4,4,,,,,,,,,,,,,  
30,1,,22217-140000,, "SPRING WASHER 14",4,4,4,,,,,,,,,,,,,  
31,1,,23080-010000,, "CLAMP 10",1,1,1,,,,,,,,,,,,,  
32,1,,26116-140352,, "BOLT M14X 35 PLATED",4,4,4,,,,,,,,,,,,,

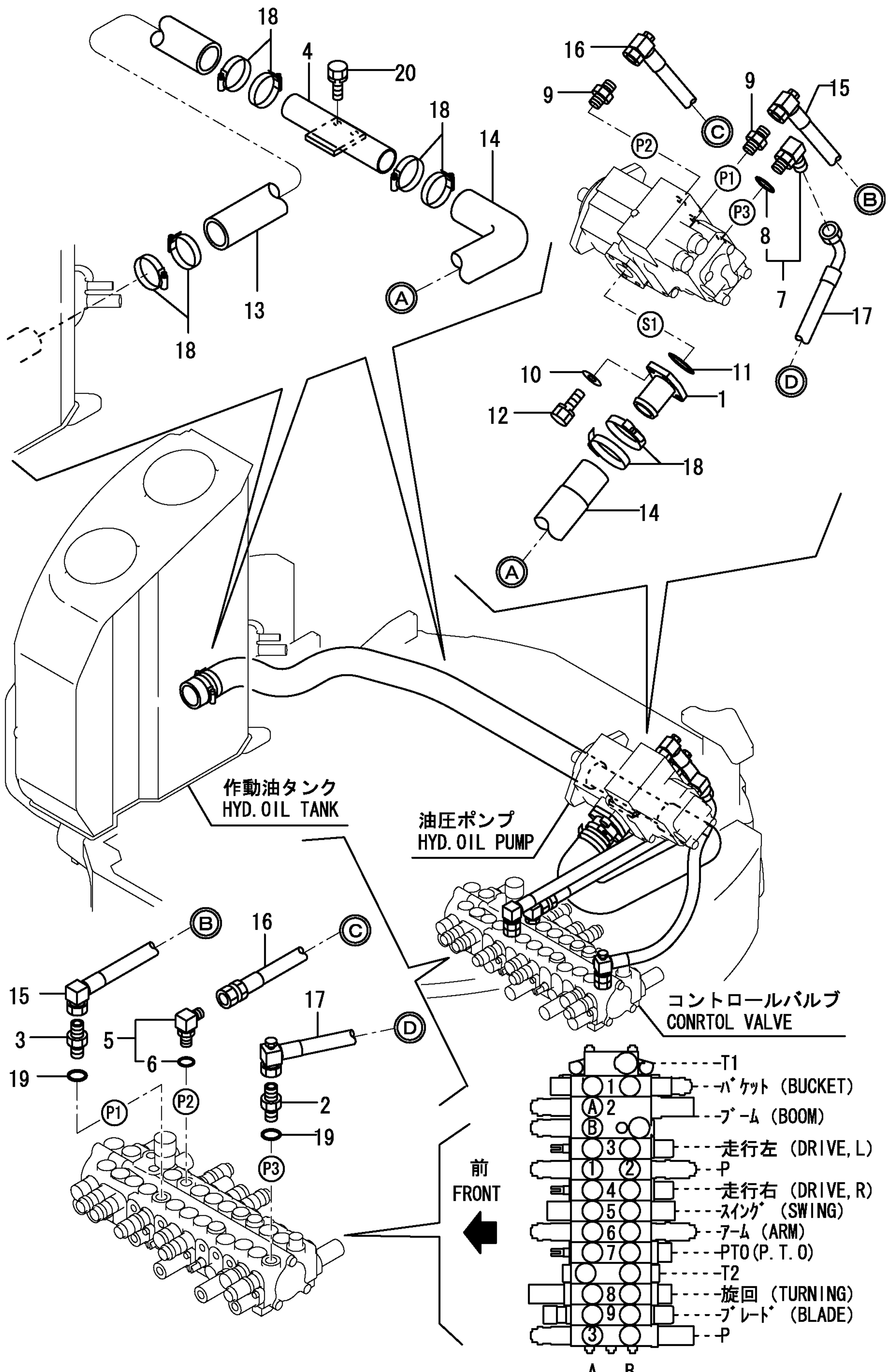
見出しNo. 1は  
見出しNo. 2~27を含みます。  
1 INC. 2~27.



1,1,,172422-76100,,FLANGE,1,1,1,,,,,,,,,,,,,  
2,1,,172122-76120,,,"CONNECTOR PF1/2-60",1,1,1,,,,,,,,,,,,,  
3,1,,172422-76180,,,"CONNECTOR",1,1,1,,,,,,,,,,,,,  
4,1,,172444-76400,,,"TUBE",1,1,1,,,,,,,,,,,,,  
5,1,,172645-76570,,,"CONNECTOR 3/8X1/2",1,1,1,,,,,,,,,,,,,  
6,2,,24315-000140,,,"O-RING 1B P-14.0",1,1,1,,,,,,,,,,,,,  
7,1,,172141-76900,,,"CONNECTOR 1/2L",1,1,1,,,,,,,,,,,,,  
8,2,,24315-000180,,,"O-RING 1B P-18.0",1,1,1,,,,,,,,,,,,,  
9,1,,172112-77360,,,"CONNECTOR PF1/2PF1/2",2,2,2,,,,,,,,,,,,,  
10,1,,22117-100000,,,"WASHER 10",4,4,4,,,,,,,,,,,,,  
11,1,,24321-000400,,,"O-RING 1A G-40.0",1,1,1,,,,,,,,,,,,,  
12,1,,26013-100302,,,"BOLT M10X 30",4,,,,,,,,,,,,,  
12-1,1,,26013-100252,,,"BOLT W/WASHER  
M10X25",4,4,4,,,N,,72422134,M/#31116,,,,,,,,,,,,,  
13,1,,172444-78100,,,"HOSE",1,1,1,,,,,,,,,,,,,  
14,1,,172444-78110,,,"HOSE",1,1,1,,,,,,,,,,,,,  
15,1,,172444-78130,,,"HOSE",1,1,1,,,,,,,,,,,,,  
16,1,,172444-78140,,,"HOSE",1,1,1,,,,,,,,,,,,,  
17,1,,172444-78150,,,"HOSE",1,1,1,,,,,,,,,,,,,  
18,1,,23000-070000,,,"CLAMP 70",8,8,,,,,,,,,,,,,  
18-1,1,,23001-070000,,,"CLIP",8,8,,,N,,,72446124,M/#36637,,,,,,,,,I  
19,1,,24315-000180,,,"O-RING 1B P-18.0",2,2,2,,,,,,,,,,,,,  
20,1,,26013-100202,,,"BOLT W/WASHER M10X20",2,2,2,,,,,,,,,,,,,



1,1,,172422-76100,,FLANGE,1,1,,,,,,,,,,,,,  
2,1,,172122-76120,, "CONNECTOR PF1/2-60",1,1,,,,,,,,,,,,,  
3,1,,172422-76180,,CONNECTOR,1,1,,,,,,,,,,,,,  
4,1,,172444-76400,,TUBE,1,1,,,,,,,,,,,,,  
5,1,,172645-76570,, "CONNECTOR 3/8X1/2",1,1,,,,,,,,,,,,,  
6,2,,24315-000140,, "O-RING 1B P-14.0",1,1,,,,,,,,,,,,,  
7,1,,172141-76900,, "CONNECTOR 1/2L",1,1,,,,,,,,,,,,,  
8,2,,24315-000180,, "O-RING 1B P-18.0",1,1,,,,,,,,,,,,,  
9,1,,172112-77360,, "CONNECTOR PF1/2PF1/2",2,2,,,,,,,,,,,,,  
10,1,,22117-100000,, "WASHER 10",4,4,,,,,,,,,,,,,  
11,1,,24321-000400,, "O-RING 1A G-40.0",1,1,,,,,,,,,,,,,  
12,1,,26013-100252,, "BOLT W/WASHER M10X25",4,4,,,,,,,,,,,,,  
13,1,,172444-78100,,HOSE,1,1,,,,,,,,,,,,,  
14,1,,172444-78110,,HOSE,1,1,,,,,,,,,,,,,  
15,1,,172444-78130,,HOSE,1,1,,,,,,,,,,,,,  
16,1,,172444-78140,,HOSE,1,1,,,,,,,,,,,,,  
17,1,,172444-78150,,HOSE,1,1,,,,,,,,,,,,,  
18,1,,23000-070000,, "CLAMP 70",8,8,,,,,,,,,,,,,  
18-1,1,,23001-070000,,CLIP,,8,,,,,N,,,,,72446124,M/#36637,,,,,,,,,I  
19,1,,24315-000180,, "O-RING 1B P-18.0",2,2,,,,,,,,,,,,,  
20,1,,26013-100202,, "BOLT W/WASHER M10X20",2,2,,,,,,,,,,,,,



作動油タンク  
HYD. OIL TANK

油圧ポンプ  
HYD. OIL PUMP

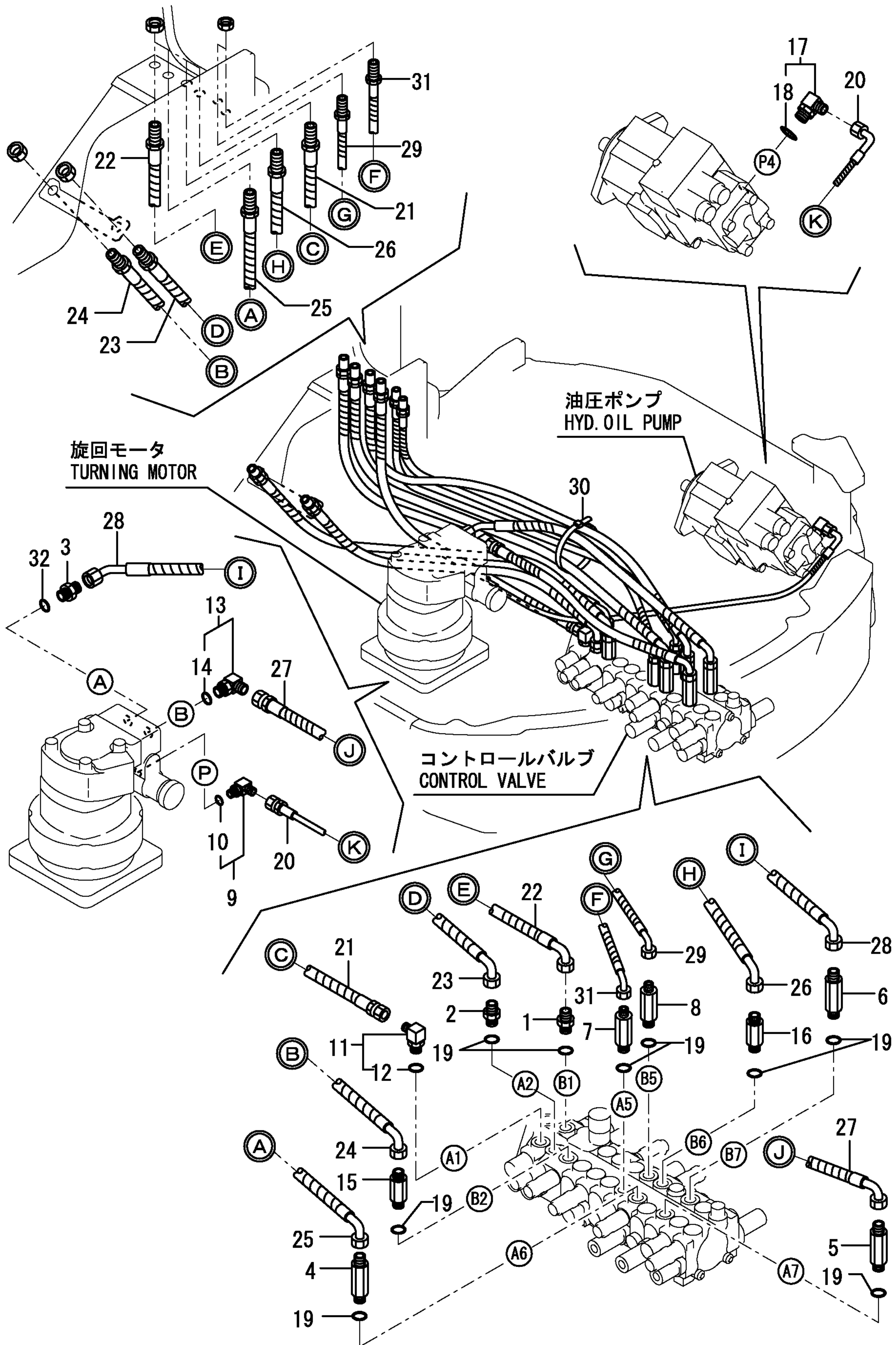
コントロールバルブ  
CONRTOL VALVE

前  
FRONT

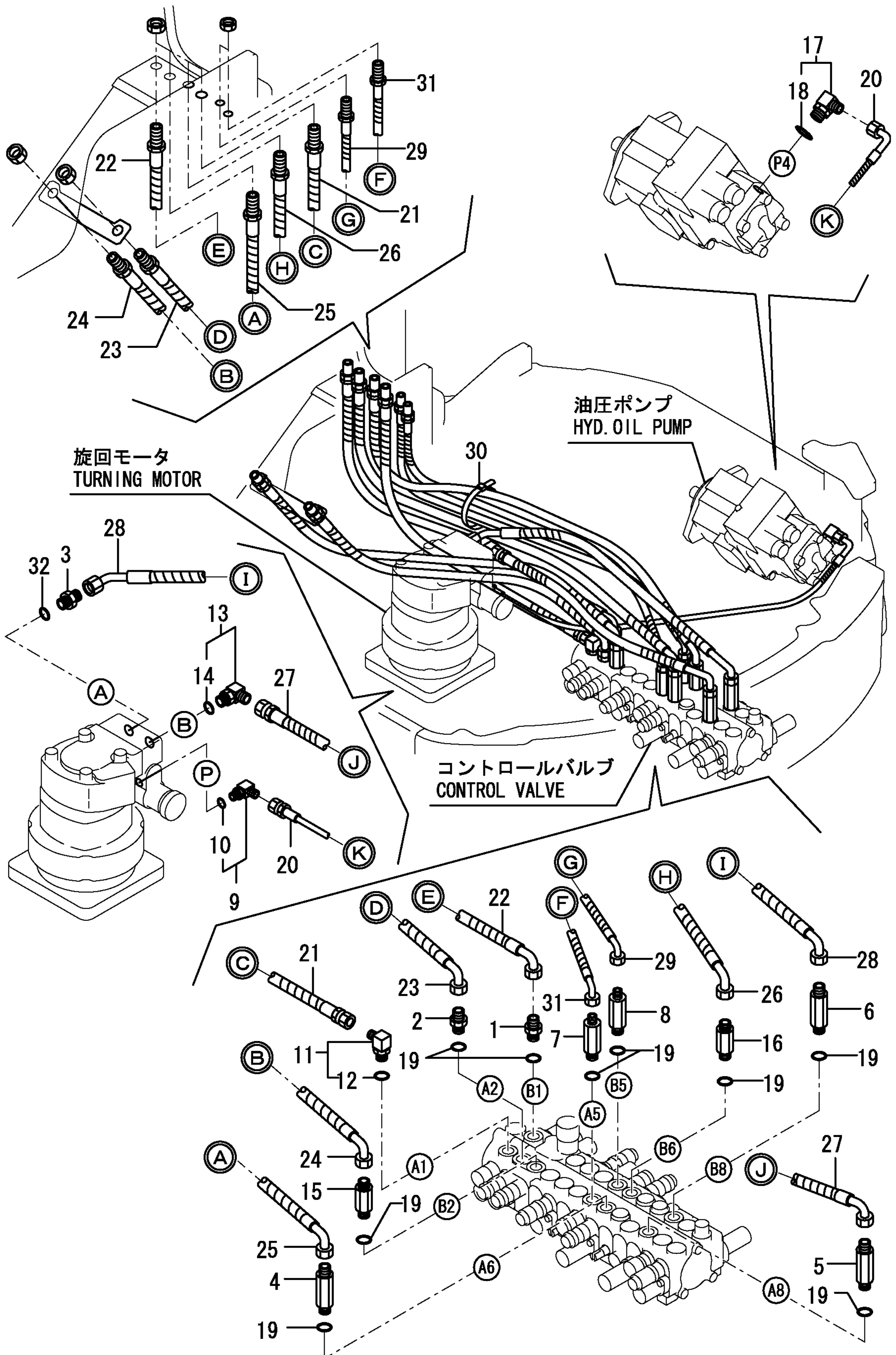
			-----T1
	○ 1 ○		--バケツ (BUCKET)
	○ A 2 ○		--ブーム (BOOM)
	○ B 3 ○		--走行左 (DRIVE, L)
	○ 1 2 ○		--P
	○ 4 ○		--走行右 (DRIVE, R)
	○ 5 ○		--スイング (SWING)
	○ 6 ○		--アーム (ARM)
	○ 7 ○		--PTO (P. T. O)
	○ 8 ○		-----T2
	○ 9 ○		--旋回 (TURNING)
	○ 3 ○		--ブレード (BLADE)
	○ P ○		--P
A	R		

1,1,,172730-75140,,ADAPTOR,1,,,,,,,,,,,,,  
1-1,1,,172162-76130,,,"ADAPTER,DOUBLE  
MALE",1,1,1,,,N,,72445284,M/#31087,,,,,  
2,1,,172730-75140,,ADAPTOR,1,1,1,,,,,,,,,,,,,  
3,1,,172730-75140,,ADAPTOR,1,1,1,,,,,,,,,,,,,  
4,1,,172162-76130,,,"ADAPTER,DOUBLE MALE",1,1,1,,,,,,,,,,,,,  
5,1,,172162-76130,,,"ADAPTER,DOUBLE MALE",1,1,1,,,,,,,,,,,,,  
6,1,,172162-76130,,,"ADAPTER,DOUBLE MALE",1,1,1,,,,,,,,,,,,,  
7,1,,172444-76140,,CONNECTOR,1,1,1,,,,,,,,,,,,,  
8,1,,172444-76140,,CONNECTOR,1,1,1,,,,,,,,,,,,,  
9,1,,172141-76180,,CONNECTOR,1,1,1,,,,,,,,,,,,,  
10,2,,24315-000110,,,"O-RING 1B P-11.0",1,1,1,,,,,,,,,,,,,  
11,1,,172142-76180,,JOINT,1,1,1,,,,,,,,,,,,,  
12,2,,24315-000140,,,"O-RING 1B P-14.0",1,1,1,,,,,,,,,,,,,  
13,1,,172142-76180,,JOINT,1,1,1,,,,,,,,,,,,,  
14,2,,24315-000140,,,"O-RING 1B P-14.0",1,1,1,,,,,,,,,,,,,  
15,1,,172116-76380,,ADAPTER,1,1,1,,,,,,,,,,,,,  
16,1,,172116-76380,,ADAPTER,1,1,1,,,,,,,,,,,,,  
17,1,,172141-76920,,,"CONNECTOR 3/8-1/4L",1,1,1,,,,,,,,,,,,,  
18,2,,24315-000140,,,"O-RING 1B P-14.0",1,1,1,,,,,,,,,,,,,  
19,1,,24315-000140,,,"O-RING 1B P-14.0",9,9,9,,,,,,,,,,,,,  
20,1,,172444-78160,,HOSE,1,1,1,,,,,,,,,,,,,  
21,1,,172444-78170,,HOSE,1,1,1,,,,,,,,,,,,,  
22,1,,172444-78180,,HOSE,1,1,1,,,,,,,,,,,,,  
23,1,,172444-78190,,HOSE,1,1,1,,,,,,,,,,,,,  
24,1,,172444-78200,,HOSE,1,1,1,,,,,,,,,,,,,  
25,1,,172444-78210,,HOSE,1,1,1,,,,,,,,,,,,,  
26,1,,172444-78220,,HOSE,1,1,1,,,,,,,,,,,,,  
27,1,,172444-78230,,HOSE,1,1,1,,,,,,,,,,,,,  
28,1,,172444-78240,,HOSE,1,1,1,,,,,,,,,,,,,  
29,1,,172444-78250,,HOSE,1,1,1,,,,,,,,,,,,,  
30,1,,172183-16560,,,"CLIP 400,HOSE",1,1,1,,,,,,,,,,,,,  
31,1,,172444-78540,,HOSE,1,1,1,,,,,,,,,,,,,  
32,1,,24315-000140,,,"O-RING 1B P-14.0",1,1,1,,,,,,,,,,,,,



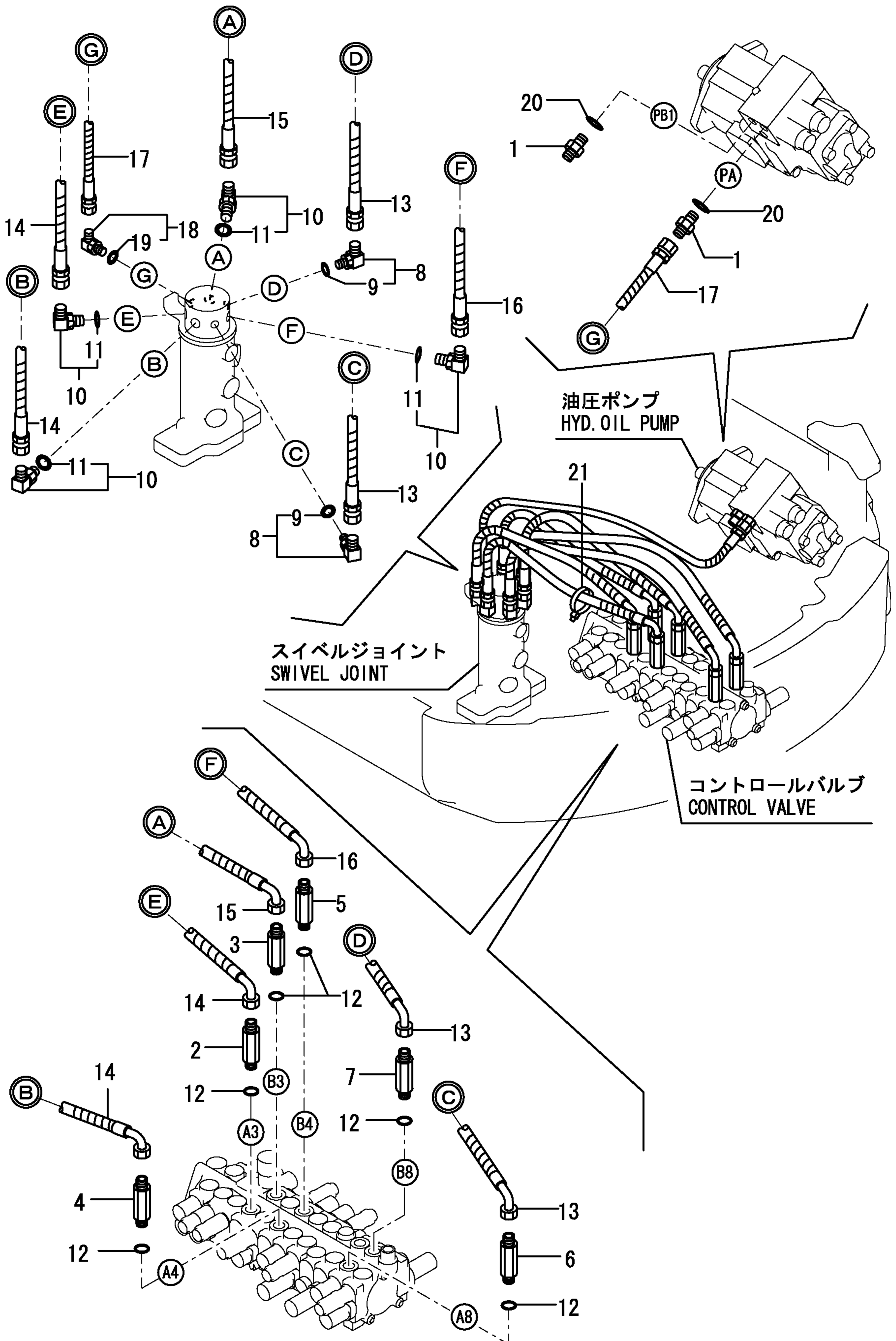


1,1,,172162-76130,, "ADAPTER,DOUBLE MALE",1,1,,,,,,,,,,,,,  
2,1,,172730-75140,, ADAPTOR,1,1,,,,,,,,,,,,,  
3,1,,172730-75140,, ADAPTOR,1,1,,,,,,,,,,,,,  
4,1,,172162-76130,, "ADAPTER,DOUBLE MALE",1,1,,,,,,,,,,,,,  
5,1,,172162-76130,, "ADAPTER,DOUBLE MALE",1,1,,,,,,,,,,,,,  
6,1,,172162-76130,, "ADAPTER,DOUBLE MALE",1,1,,,,,,,,,,,,,  
7,1,,172444-76140,, CONNECTOR,1,1,,,,,,,,,,,,,  
8,1,,172444-76140,, CONNECTOR,1,1,,,,,,,,,,,,,  
9,1,,172141-76180,, CONNECTOR,1,1,,,,,,,,,,,,,  
10,2,,24315-000110,, "O-RING 1B P-11.0",1,1,,,,,,,,,,,,,  
11,1,,172142-76180,, JOINT,1,1,,,,,,,,,,,,,  
12,2,,24315-000140,, "O-RING 1B P-14.0",1,1,,,,,,,,,,,,,  
13,1,,172142-76180,, JOINT,1,1,,,,,,,,,,,,,  
14,2,,24315-000140,, "O-RING 1B P-14.0",1,1,,,,,,,,,,,,,  
15,1,,172116-76380,, ADAPTER,1,1,,,,,,,,,,,,,  
16,1,,172116-76380,, ADAPTER,1,1,,,,,,,,,,,,,  
17,1,,172141-76920,, "CONNECTOR 3/8-1/4L",1,1,,,,,,,,,,,,,  
18,2,,24315-000140,, "O-RING 1B P-14.0",1,1,,,,,,,,,,,,,  
19,1,,24315-000140,, "O-RING 1B P-14.0",9,9,,,,,,,,,,,,,  
20,1,,172444-78160,, HOSE,1,1,,,,,,,,,,,,,  
21,1,,172444-78170,, HOSE,1,1,,,,,,,,,,,,,  
22,1,,172444-78180,, HOSE,1,1,,,,,,,,,,,,,  
23,1,,172444-78190,, HOSE,1,1,,,,,,,,,,,,,  
24,1,,172444-78200,, HOSE,1,1,,,,,,,,,,,,,  
25,1,,172444-78210,, HOSE,1,1,,,,,,,,,,,,,  
26,1,,172444-78220,, HOSE,1,1,,,,,,,,,,,,,  
27,1,,172444-78850,, "HOSE P206BC056S",1,1,,,,,,,,,,,,,  
28,1,,172444-78840,, "HOSE P206CE067S",1,1,,,,,,,,,,,,,  
29,1,,172444-78250,, HOSE,1,1,,,,,,,,,,,,,  
30,1,,172183-16560,, "CLIP 400,HOSE",1,1,,,,,,,,,,,,,  
31,1,,172444-78540,, HOSE,1,1,,,,,,,,,,,,,  
32,1,,24315-000140,, "O-RING 1B P-14.0",1,1,,,,,,,,,,,,,

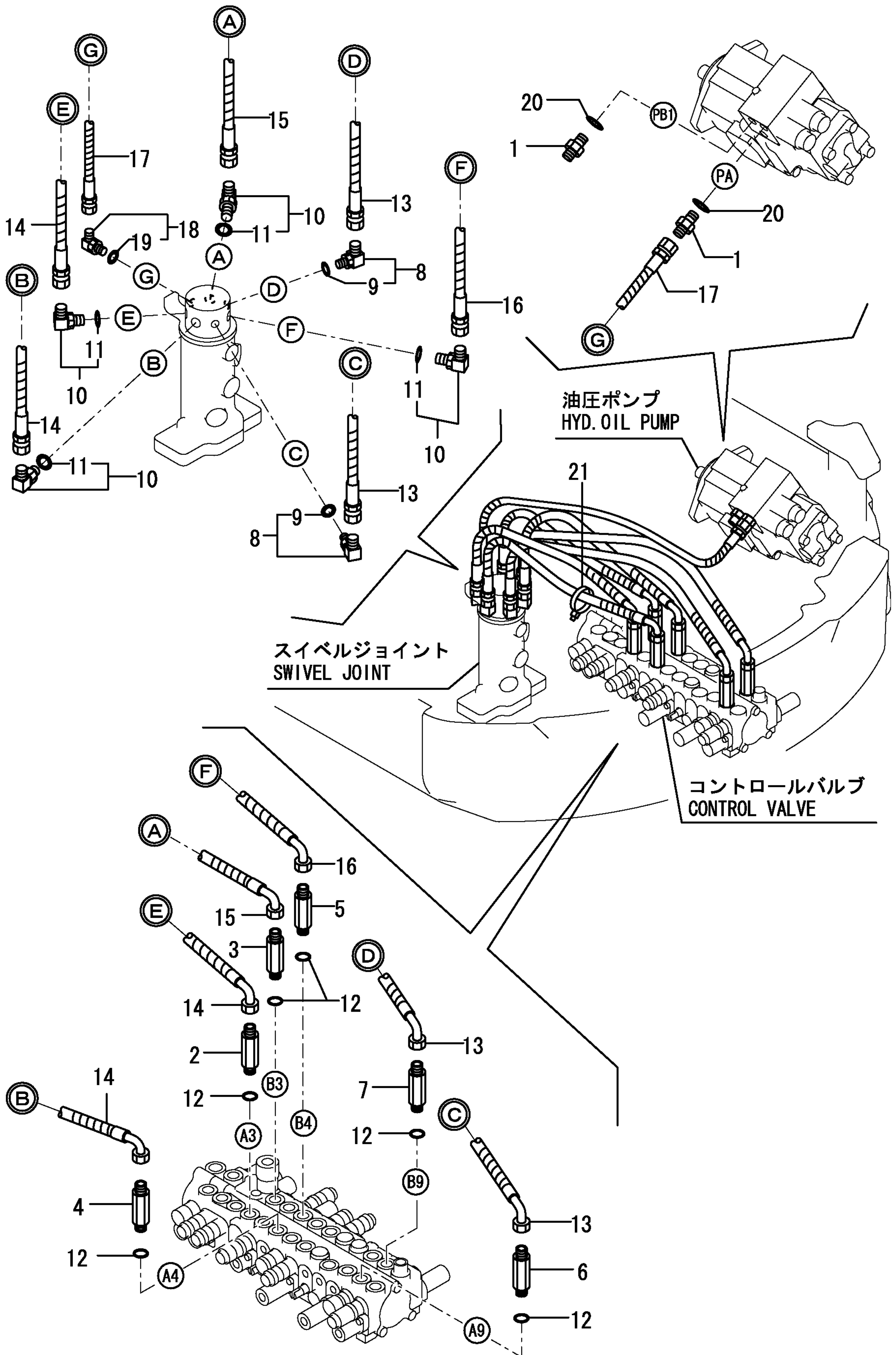


1,1,,172123-76120,, "CONNECTOR PF1/4",2,2,2,,,,,,,,,,,,,  
2,1,,172162-76130,, "ADAPTER,DOUBLE MALE",1,1,1,,,,,,,,,,,,,  
3,1,,172162-76130,, "ADAPTER,DOUBLE MALE",1,1,1,,,,,,,,,,,,,  
4,1,,172162-76130,, "ADAPTER,DOUBLE MALE",1,1,1,,,,,,,,,,,,,  
5,1,,172162-76130,, "ADAPTER,DOUBLE MALE",1,1,1,,,,,,,,,,,,,  
6,1,,172162-76130,, "ADAPTER,DOUBLE MALE",1,1,1,,,,,,,,,,,,,  
7,1,,172162-76130,, "ADAPTER,DOUBLE MALE",1,1,1,,,,,,,,,,,,,  
8,1,,172173-76120,,CONNECTOR,2,2,2,,,,,,,,,,,,,  
9,2,,24315-000110,, "O-RING 1B P-11.0",2,2,2,,,,,,,,,,,,,  
10,1,,172142-76180,,JOINT,4,4,4,,,,,,,,,,,,,  
11,2,,24315-000140,, "O-RING 1B P-14.0",4,4,4,,,,,,,,,,,,,  
12,1,,24315-000140,, "O-RING 1B P-14.0",6,6,6,,,,,,,,,,,,,  
13,1,,172444-78260,,HOSE,2,2,2,,,,,,,,,,,,,  
14,1,,172444-78270,,HOSE,2,2,2,,,,,,,,,,,,,  
15,1,,172444-78280,,HOSE,1,1,1,,,,,,,,,,,,,  
16,1,,172444-78290,,HOSE,1,1,1,,,,,,,,,,,,,  
17,1,,172444-78350,,HOSE,1,1,1,,,,,,,,,,,,,  
18,1,,172141-76180,,CONNECTOR,1,1,1,,,,,,,,,,,,,  
19,2,,24315-000110,, "O-RING 1B P-11.0",1,1,1,,,,,,,,,,,,,  
20,1,,24315-000110,, "O-RING 1B P-11.0",2,2,2,,,,,,,,,,,,,  
21,1,,172122-79930,, "CLAMP B",1,1,1,,,,,,,,,,,,,



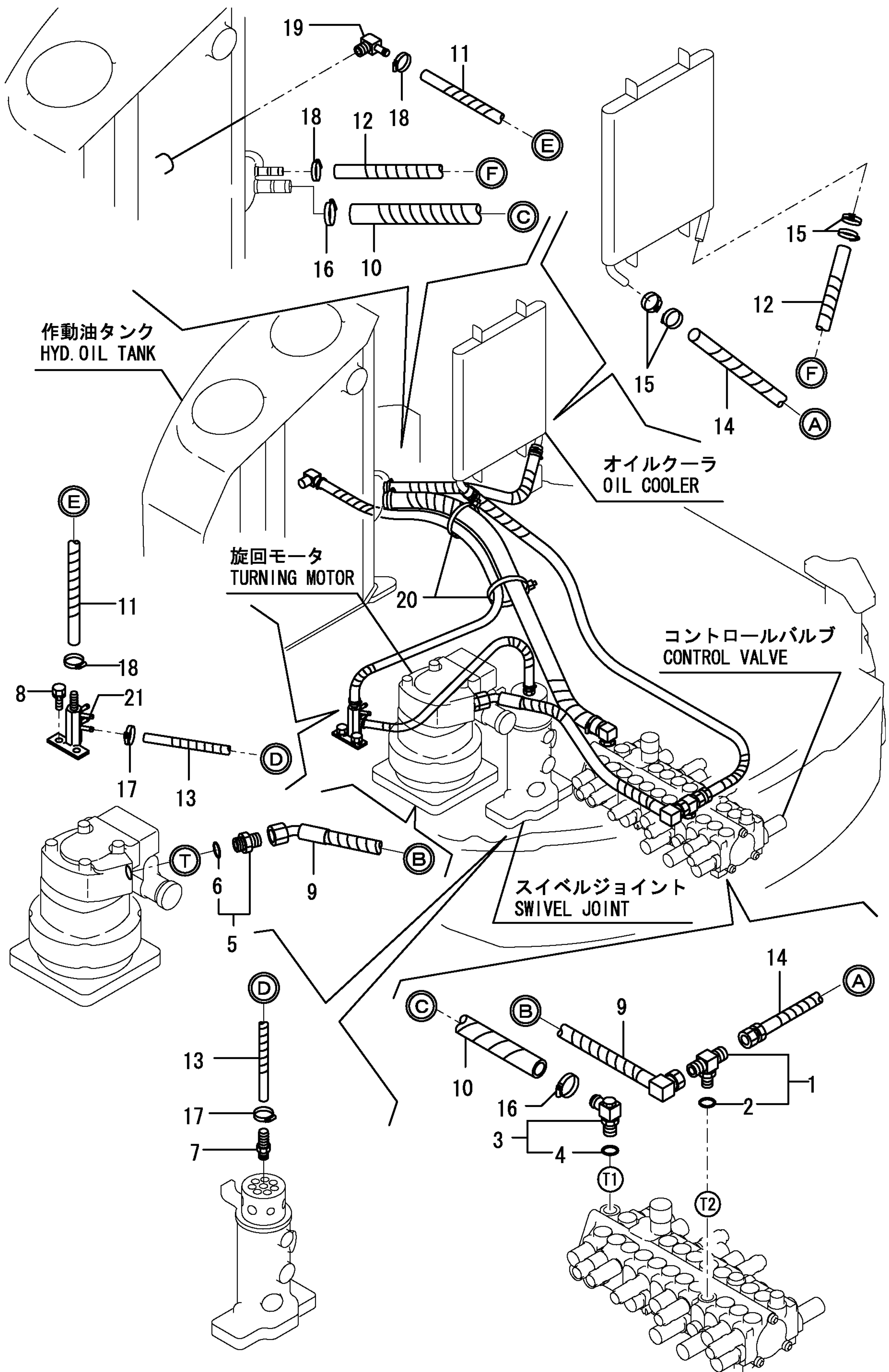


1,1,,172123-76120,, "CONNECTOR PF1/4",2,2,,,,,,,,,,,,,,,,,,,,,  
2,1,,172162-76130,, "ADAPTER,DOUBLE MALE",1,1,,,,,,,,,,,,,,,,,,,,,  
3,1,,172162-76130,, "ADAPTER,DOUBLE MALE",1,1,,,,,,,,,,,,,,,,,,,,,  
4,1,,172162-76130,, "ADAPTER,DOUBLE MALE",1,1,,,,,,,,,,,,,,,,,,,,,  
5,1,,172162-76130,, "ADAPTER,DOUBLE MALE",1,1,,,,,,,,,,,,,,,,,,,,,  
6,1,,172162-76130,, "ADAPTER,DOUBLE MALE",1,1,,,,,,,,,,,,,,,,,,,,,  
7,1,,172162-76130,, "ADAPTER,DOUBLE MALE",1,1,,,,,,,,,,,,,,,,,,,,,  
8,1,,172173-76120,,CONNECTOR,2,2,,,,,,,,,,,,,,,,,,,,,  
9,2,,24315-000110,, "O-RING 1B P-11.0",2,2,,,,,,,,,,,,,,,,,,,,,  
10,1,,172142-76180,,JOINT,4,4,,,,,,,,,,,,,,,,,,,,,  
11,2,,24315-000140,, "O-RING 1B P-14.0",4,4,,,,,,,,,,,,,,,,,,,,,  
12,1,,24315-000140,, "O-RING 1B P-14.0",6,6,,,,,,,,,,,,,,,,,,,,,  
13,1,,172444-78820,, "HOSE P206BC076S",2,2,,,,,,,,,,,,,,,,,,,,,  
14,1,,172444-78270,,HOSE,2,2,,,,,,,,,,,,,,,,,,,,,  
15,1,,172444-78280,,HOSE,1,1,,,,,,,,,,,,,,,,,,,,,  
16,1,,172444-78290,,HOSE,1,1,,,,,,,,,,,,,,,,,,,,,  
17,1,,172444-78350,,HOSE,1,1,,,,,,,,,,,,,,,,,,,,,  
18,1,,172141-76180,,CONNECTOR,1,1,,,,,,,,,,,,,,,,,,,,,  
19,2,,24315-000110,, "O-RING 1B P-11.0",1,1,,,,,,,,,,,,,,,,,,,,,  
20,1,,24315-000110,, "O-RING 1B P-11.0",2,2,,,,,,,,,,,,,,,,,,,,,  
21,1,,172122-79930,, "CLAMP B",1,1,,,,,,,,,,,,,,,,,,,,,

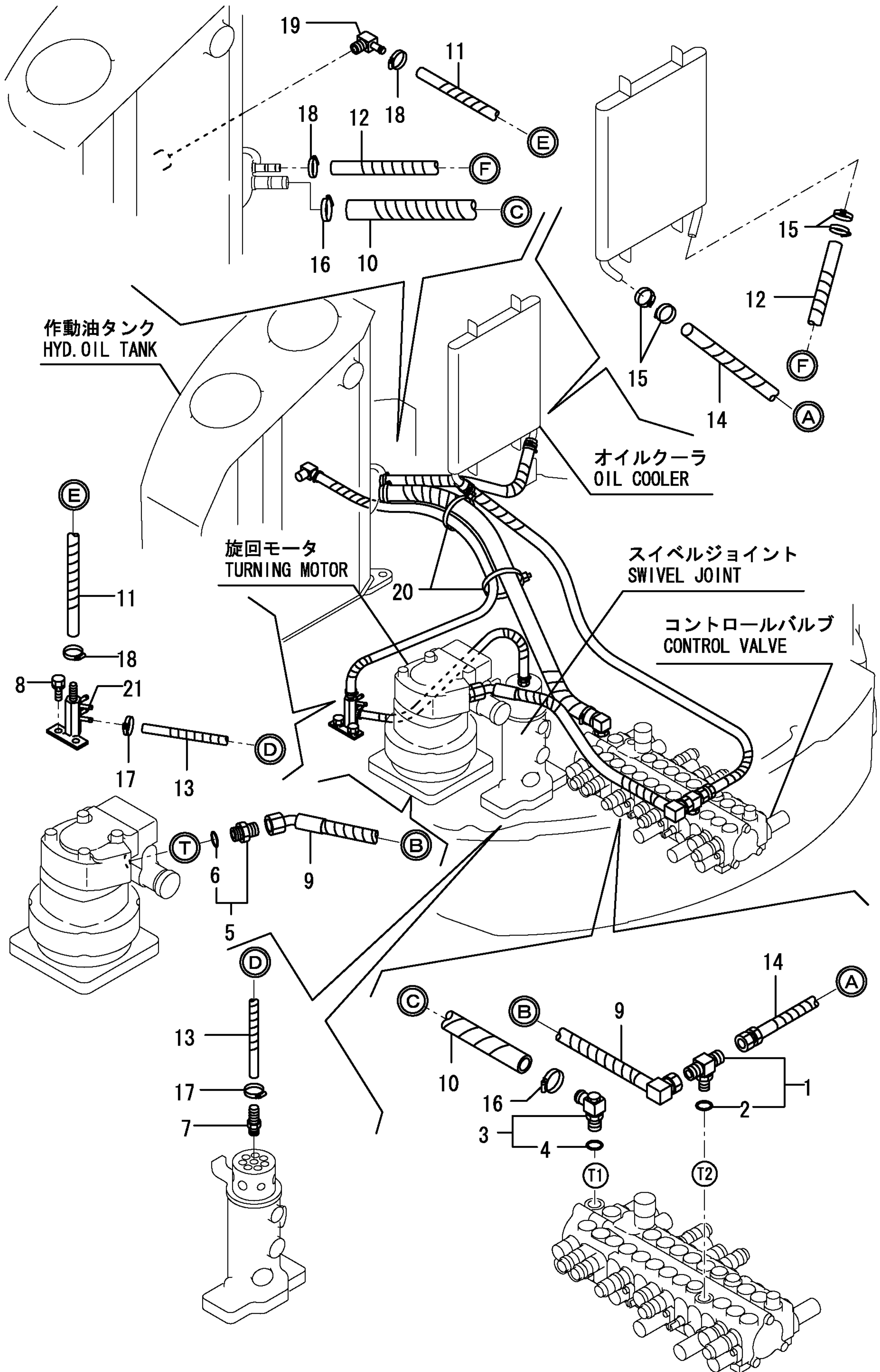




1,1,,172422-76110,,JOINT,1,1,1,,,,,,,,,,,,,  
2,2,,24315-000180,,,"O-RING 1B P-18.0",1,1,1,,,,,,,,,,,,,  
3,1,,172164-76131,,ELBOW,1,,,,,,,,,,,,,  
3-1,1,,172450-76100,,ELBOW,1,1,1,,,,,N,,72445284,M/#31047,,,,,,,,,,,,,  
4,2,,24315-000180,,,"O-RING 1B P-18.0",1,1,1,,,,,,,,,,,,,  
5,1,,172168-76160,,,"CONNECTOR PF1/2-3/8",1,1,1,,,,,,,,,,,,,  
6,2,,24315-000140,,,"O-RING 1B P-14.0",1,1,1,,,,,,,,,,,,,  
7,1,,172141-76220,,NIPPLE,1,1,1,,,,,,,,,,,,,  
8,1,,26013-100202,,,"BOLT W/WASHER M10X20",2,2,2,,,,,,,,,,,,,  
9,1,,172444-78300,,HOSE,1,1,1,,,,,,,,,,,,,  
10,1,,172444-78310,,HOSE,1,1,1,,,,,,,,,,,,,  
11,1,,172444-78320,,HOSE,1,1,1,,,,,,,,,,,,,  
12,1,,172444-78330,,HOSE,1,1,1,,,,,,,,,,,,,  
13,1,,172444-78410,,HOSE,1,1,1,,,,,,,,,,,,,  
14,1,,172444-78530,,HOSE,1,1,1,,,,,,,,,,,,,  
15,1,,23000-025000,,,"CLAMP 25",4,,,,,,,,,,,,,  
15-1,1,,23001-016000,,,"HOSE CLAMP 16",4,4,4,,,,,N,,72425038,M/#31249,,,,,,,,,,,,,  
16,1,,23000-035000,,,"CLAMP 35",2,2,,,,,,,,,,,,,  
16-1,1,,23001-035000,,,"HOSE CLAMP 35",,2,2,,,,,N,,,,,72446124,M/#36637,,,,,,,,,,,,,  
17,1,,23000-013000,,,"CLAMP 13",2,2,2,,,,,,,,,,,,,  
18,1,,23000-025000,,,"CLAMP 25",3,,,,,,,,,,,,,  
18-1,1,,23001-016000,,,"HOSE CLAMP 16",3,3,3,,,,,N,,72425038,M/#31249,,,,,,,,,,,,,  
19,1,,172156-76240,,ELBOW,1,,,,,,M,,,,,,,,,,,,,  
19-1,1,,172168-76370,,ELBOW,1,1,1,,,,,,,,,,,,,  
20,1,,172122-79930,,,"CLAMP B",2,,,,,,M,,,,,,,,,,,,,  
20-1,1,,172126-11510,,,"BAND 300",3,3,3,,,,,,,,,,,,,  
21,1,,172444-76150,,JOINT,1,1,1,,,,,,,,,,,,,

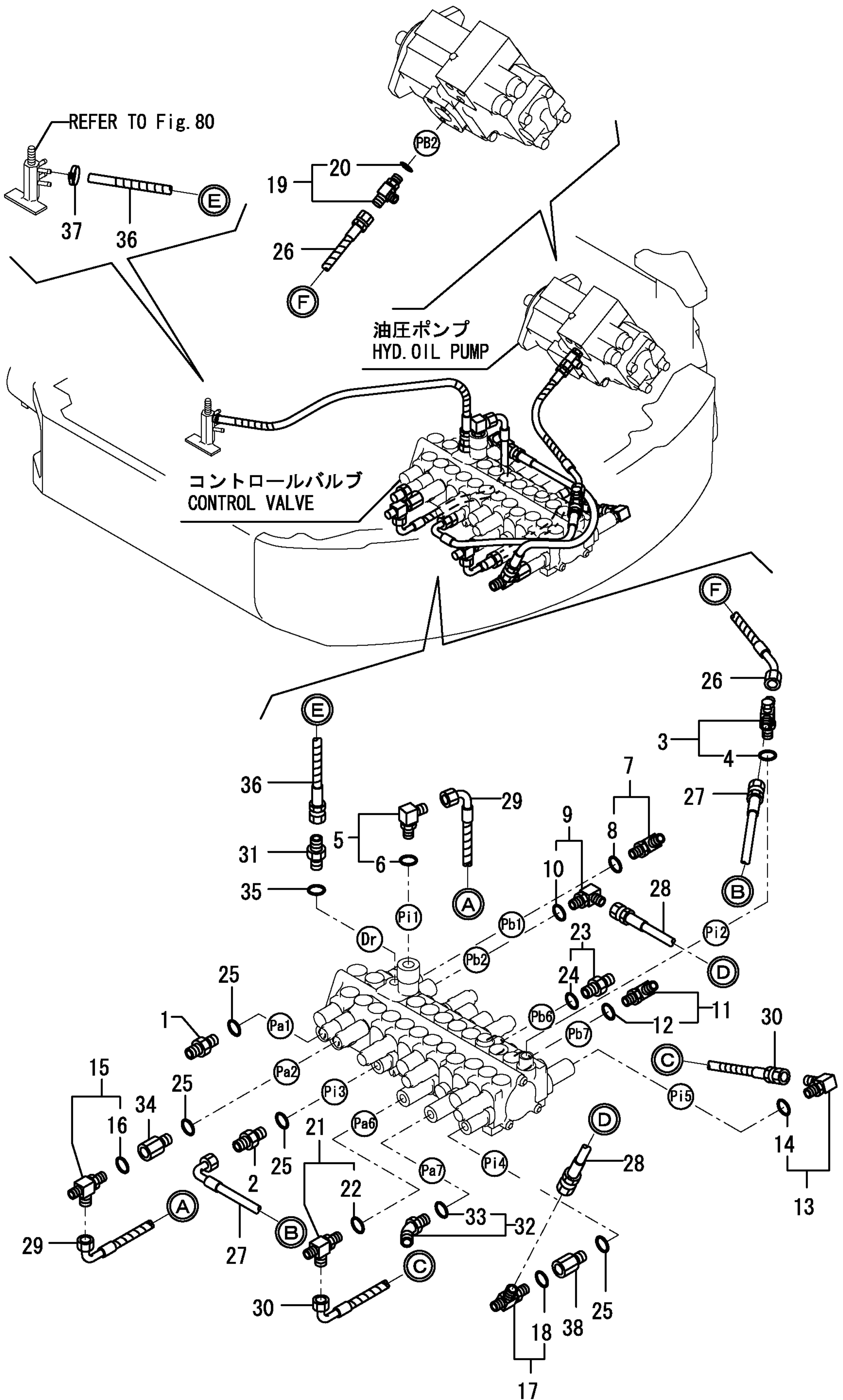


1,1,,172422-76110,,JOINT,1,1,,,,,,,,,,,,,  
2,2,,24315-000180,,,"O-RING 1B P-18.0",1,1,,,,,,,,,,,,,  
3,1,,172450-76100,,ELBOW,1,1,,,,,,,,,,,,,  
4,2,,24315-000180,,,"O-RING 1B P-18.0",1,1,,,,,,,,,,,,,  
5,1,,172168-76160,,,"CONNECTOR PF1/2-3/8",1,1,,,,,,,,,,,,,  
6,2,,24315-000140,,,"O-RING 1B P-14.0",1,1,,,,,,,,,,,,,  
7,1,,172141-76220,,NIPPLE,1,1,,,,,,,,,,,,,  
8,1,,26013-100202,,,"BOLT W/WASHER M10X20",2,2,,,,,,,,,,,,,  
9,1,,172444-78830,,,"HOSE G708EV051S",1,1,,,,,,,,,,,,,  
10,1,,172444-78310,,HOSE,1,1,,,,,,,,,,,,,  
11,1,,172444-78320,,HOSE,1,1,,,,,,,,,,,,,  
12,1,,172444-78330,,HOSE,1,1,,,,,,,,,,,,,  
13,1,,172444-78410,,HOSE,1,1,,,,,,,,,,,,,  
14,1,,172444-78530,,HOSE,1,1,,,,,,,,,,,,,  
15,1,,23001-016000,,,"HOSE CLAMP 16",4,4,,,,,,,,,,,,,  
16,1,,23000-035000,,,"CLAMP 35",2,2,,,,,,,,,,,,,  
16-1,1,,23001-035000,,,"HOSE CLAMP 35",2,,,,,N,,,,,72446124,M/#36637,,,,,,I  
17,1,,23000-013000,,,"CLAMP 13",2,2,,,,,,,,,,,,,  
18,1,,23001-016000,,,"HOSE CLAMP 16",3,3,,,,,,,,,,,,,  
19,1,,172168-76370,,ELBOW,1,1,,,,,,,,,,,,,  
20,1,,172126-11510,,,"BAND 300",2,2,,,,,,,,,,,,,  
21,1,,172444-76150,,JOINT,1,1,,,,,,,,,,,,,



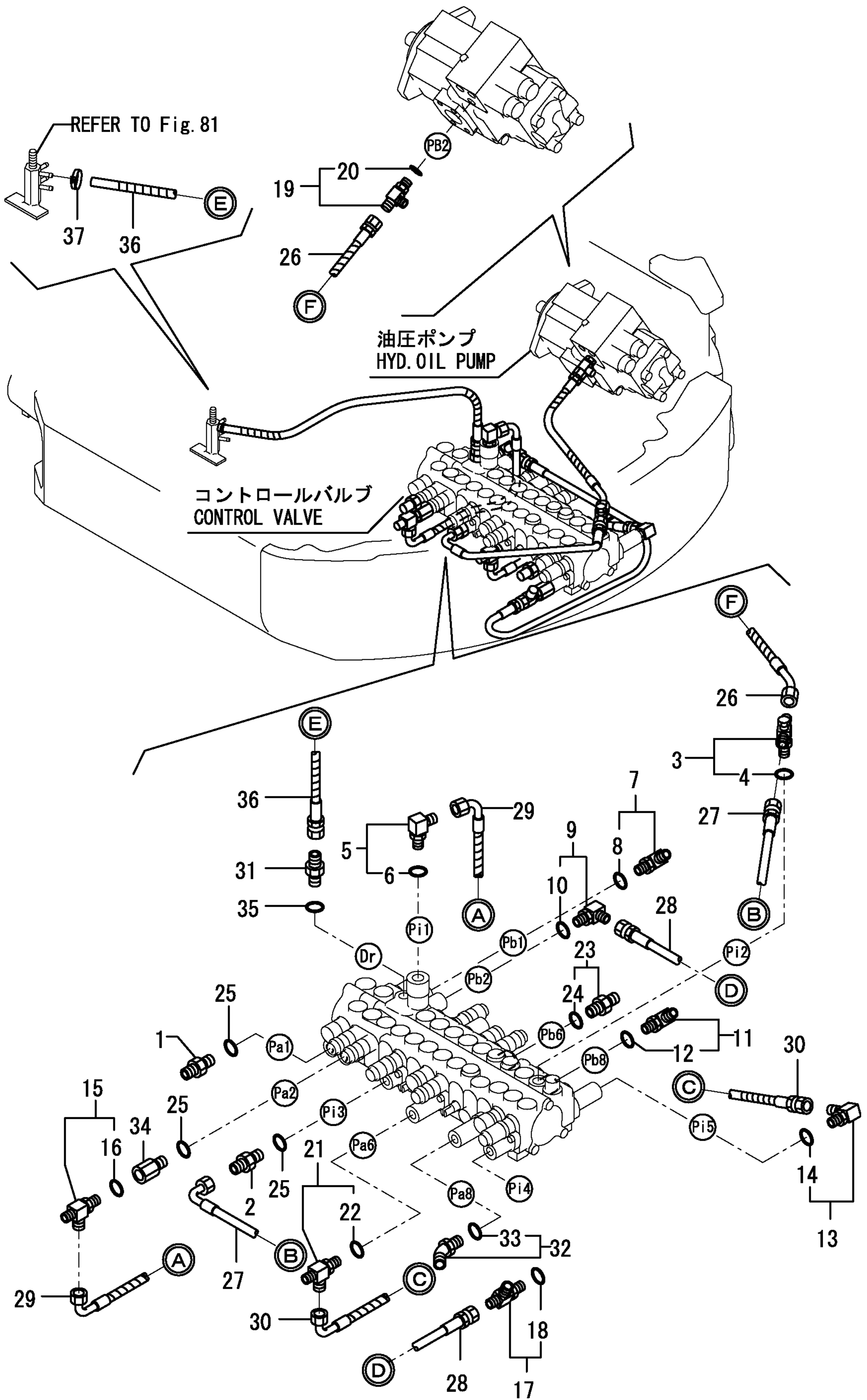
1,1,,172123-76120,, "CONNECTOR PF1/4",1,1,1,,,,,,,,,,,,,  
2,1,,172123-76120,, "CONNECTOR PF1/4",1,1,1,,,,,,,,,,,,,  
3,1,,172444-76160,, ADJUSTER,1,1,1,,,,,,,,,,,,,  
4,2,,24315-000110,, "O-RING 1B P-11.0",1,1,1,,,,,,,,,,,,,  
5,1,,172141-76180,, CONNECTOR,1,1,1,,,,,,,,,,,,,  
6,2,,24315-000110,, "O-RING 1B P-11.0",1,1,1,,,,,,,,,,,,,  
7,1,,172141-76180,, CONNECTOR,1,1,1,,,,,,,,,,,,,  
8,2,,24315-000110,, "O-RING 1B P-11.0",1,1,1,,,,,,,,,,,,,  
9,1,,172141-76180,, CONNECTOR,1,1,1,,,,,,,,,,,,,  
10,2,,24315-000110,, "O-RING 1B P-11.0",1,1,1,,,,,,,,,,,,,  
11,1,,172141-76180,, CONNECTOR,1,1,1,,,,,,,,,,,,,  
12,2,,24315-000110,, "O-RING 1B P-11.0",1,1,1,,,,,,,,,,,,,  
13,1,,172141-76180,, CONNECTOR,1,1,1,,,,,,,,,,,,,  
14,2,,24315-000110,, "O-RING 1B P-11.0",1,1,1,,,,,,,,,,,,,  
15,1,,172162-76180,, "JOINT 3-1/4 COMPL.",1,1,1,,,,,,,,,,,,,  
16,2,,24315-000110,, "O-RING 1B P-11.0",1,1,1,,,,,,,,,,,,,  
17,1,,172162-76180,, "JOINT 3-1/4 COMPL.",1,1,1,,,,,,,,,,,,,  
18,2,,24315-000110,, "O-RING 1B P-11.0",1,1,1,,,,,,,,,,,,,  
19,1,,172162-76180,, "JOINT 3-1/4 COMPL.",1,1,1,,,,,,,,,,,,,  
20,2,,24315-000110,, "O-RING 1B P-11.0",1,1,1,,,,,,,,,,,,,  
21,1,,172164-76700,, "T-JOINT 1/4",1,1,1,,,,,,,,,,,,,  
22,2,,24315-000110,, "O-RING 1B P-11.0",1,1,1,,,,,,,,,,,,,  
23,1,,172964-78111,, "VALVE, CHECK",1,1,1,,,,,,,,,,,,,  
24,2,,24315-000110,, "O-RING 1B P-11.0",1,1,1,,,,,,,,,,,,,  
25,1,,24315-000110,, "O-RING 1B P-11.0",4,,,,,,,,,,,,,  
25-1,1,,24315-000110,, "O-RING 1B P-  
11.0",3,3,3,, ,K,,72444182,M/#30505,,,,,,,,,,,,,I  
26,1,,172444-78340,, HOSE,1,1,1,,,,,,,,,,,,,  
27,1,,172444-78360,, HOSE,1,1,1,,,,,,,,,,,,,  
28,1,,172444-78370,, HOSE,1,1,1,,,,,,,,,,,,,  
29,1,,172444-78380,, HOSE,1,1,1,,,,,,,,,,,,,  
30,1,,172444-78390,, HOSE,1,1,1,,,,,,,,,,,,,  
31,1,,172123-76120,, "CONNECTOR PF1/4",1,1,1,,,,,,,,,,,,,  
32,1,,172173-76100,, "CONNECTOR PT1/4-40",1,1,1,,,,,,,,,,,,,  
32-1,1,,172173-76101,, "CONNECTOR PF1/4-  
45",1,1,, ,R,, ,72444394,M/#36670,,,,,,,,,,,,,I  
33,2,,24315-000110,, "O-RING 1B P-11.0",1,1,1,,,,,,,,,,,,,I  
34,1,,172422-76140,, CONNECTOR,1,1,1,,,,,,,,,,,,,  
35,1,,24315-000110,, "O-RING 1B P-11.0",1,1,1,,,,,,,,,,,,,  
36,1,,172444-78400,, HOSE,1,1,1,,,,,,,,,,,,,  
37,1,,23000-013000,, "CLAMP 13",1,1,1,,,,,,,,,,,,,  
38,1,,172422-76140,, CONNECTOR,1,,,, ,Z,,72444182,M/#30505,,,,,,,,,,,,,



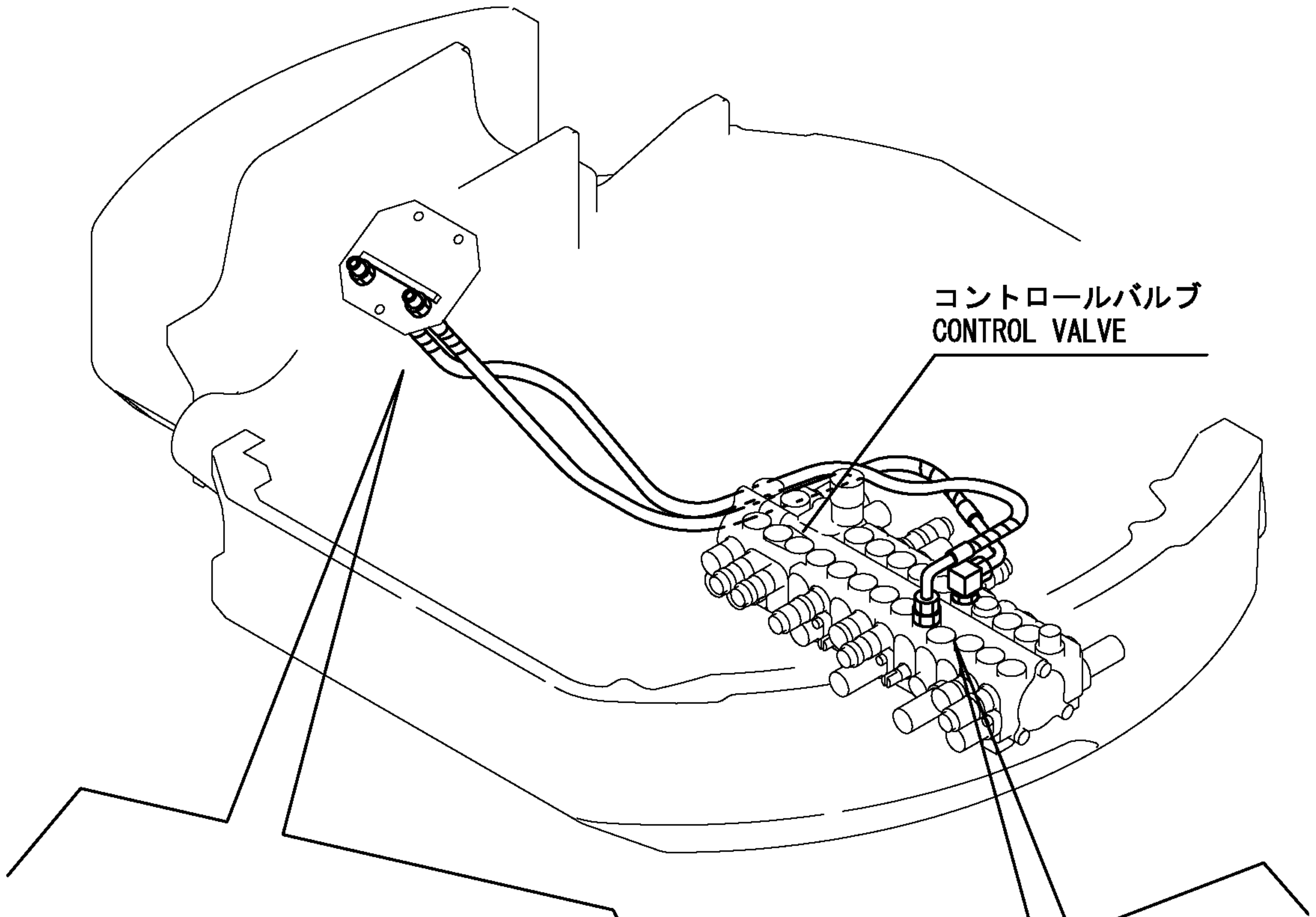


1,1,,172123-76120,, "CONNECTOR PF1/4",1,1,,,,,,,,,,,,,  
2,1,,172123-76120,, "CONNECTOR PF1/4",1,1,,,,,,,,,,,,,  
3,1,,172444-76160,, ADJUSTER,1,1,,,,,,,,,,,,,  
4,2,,24315-000110,, "O-RING 1B P-11.0",1,1,,,,,,,,,,,,,  
5,1,,172141-76180,, CONNECTOR,1,1,,,,,,,,,,,,,  
6,2,,24315-000110,, "O-RING 1B P-11.0",1,1,,,,,,,,,,,,,  
7,1,,172141-76180,, CONNECTOR,1,1,,,,,,,,,,,,,  
8,2,,24315-000110,, "O-RING 1B P-11.0",1,1,,,,,,,,,,,,,  
9,1,,172141-76180,, CONNECTOR,1,1,,,,,,,,,,,,,  
10,2,,24315-000110,, "O-RING 1B P-11.0",1,1,,,,,,,,,,,,,  
11,1,,172141-76180,, CONNECTOR,1,1,,,,,,,,,,,,,  
12,2,,24315-000110,, "O-RING 1B P-11.0",1,1,,,,,,,,,,,,,  
13,1,,172141-76180,, CONNECTOR,1,1,,,,,,,,,,,,,  
14,2,,24315-000110,, "O-RING 1B P-11.0",1,1,,,,,,,,,,,,,  
15,1,,172162-76180,, "JOINT 3-1/4 COMPL.",1,1,,,,,,,,,,,,,  
16,2,,24315-000110,, "O-RING 1B P-11.0",1,1,,,,,,,,,,,,,  
17,1,,172162-76180,, "JOINT 3-1/4 COMPL.",1,1,,,,,,,,,,,,,  
18,2,,24315-000110,, "O-RING 1B P-11.0",1,1,,,,,,,,,,,,,  
19,1,,172162-76180,, "JOINT 3-1/4 COMPL.",1,1,,,,,,,,,,,,,  
20,2,,24315-000110,, "O-RING 1B P-11.0",1,1,,,,,,,,,,,,,  
21,1,,172164-76700,, "T-JOINT 1/4",1,1,,,,,,,,,,,,,  
22,2,,24315-000110,, "O-RING 1B P-11.0",1,1,,,,,,,,,,,,,  
23,1,,172964-78111,, "VALVE, CHECK",1,1,,,,,,,,,,,,,  
24,2,,24315-000110,, "O-RING 1B P-11.0",1,1,,,,,,,,,,,,,I  
25,1,,24315-000110,, "O-RING 1B P-11.0",3,3,,,,,,,,,,,,,  
26,1,,172444-78580,, "HOSE F303BE044",1,1,,,,,,,,,,,,,  
27,1,,172444-78590,, "HOSE F303BC041",1,1,,,,,,,,,,,,,  
28,1,,172444-78370,, HOSE,1,1,,,,,,,,,,,,,  
29,1,,172444-78380,, HOSE,1,1,,,,,,,,,,,,,  
30,1,,172444-78390,, HOSE,1,1,,,,,,,,,,,,,  
31,1,,172123-76120,, "CONNECTOR PF1/4",1,1,,,,,,,,,,,,,  
32,1,,172123-76100,, "CONNECTOR PT1/4-40",1,1,,,,,,,,,,,,,  
32-1,1,,172173-76101,, "CONNECTOR PF1/4-  
45",1,,,,,R,,,,,72444394,M/#36670,,,,,,I  
33,2,,24315-000110,, "O-RING 1B P-11.0",1,1,,,,,,,,,,,,,I  
34,1,,172422-76140,, CONNECTOR,1,1,,,,,,,,,,,,,  
35,1,,24315-000110,, "O-RING 1B P-11.0",1,1,,,,,,,,,,,,,  
36,1,,172444-78400,, HOSE,1,1,,,,,,,,,,,,,  
37,1,,23000-013000,, "CLAMP 13",1,1,,,,,,,,,,,,,



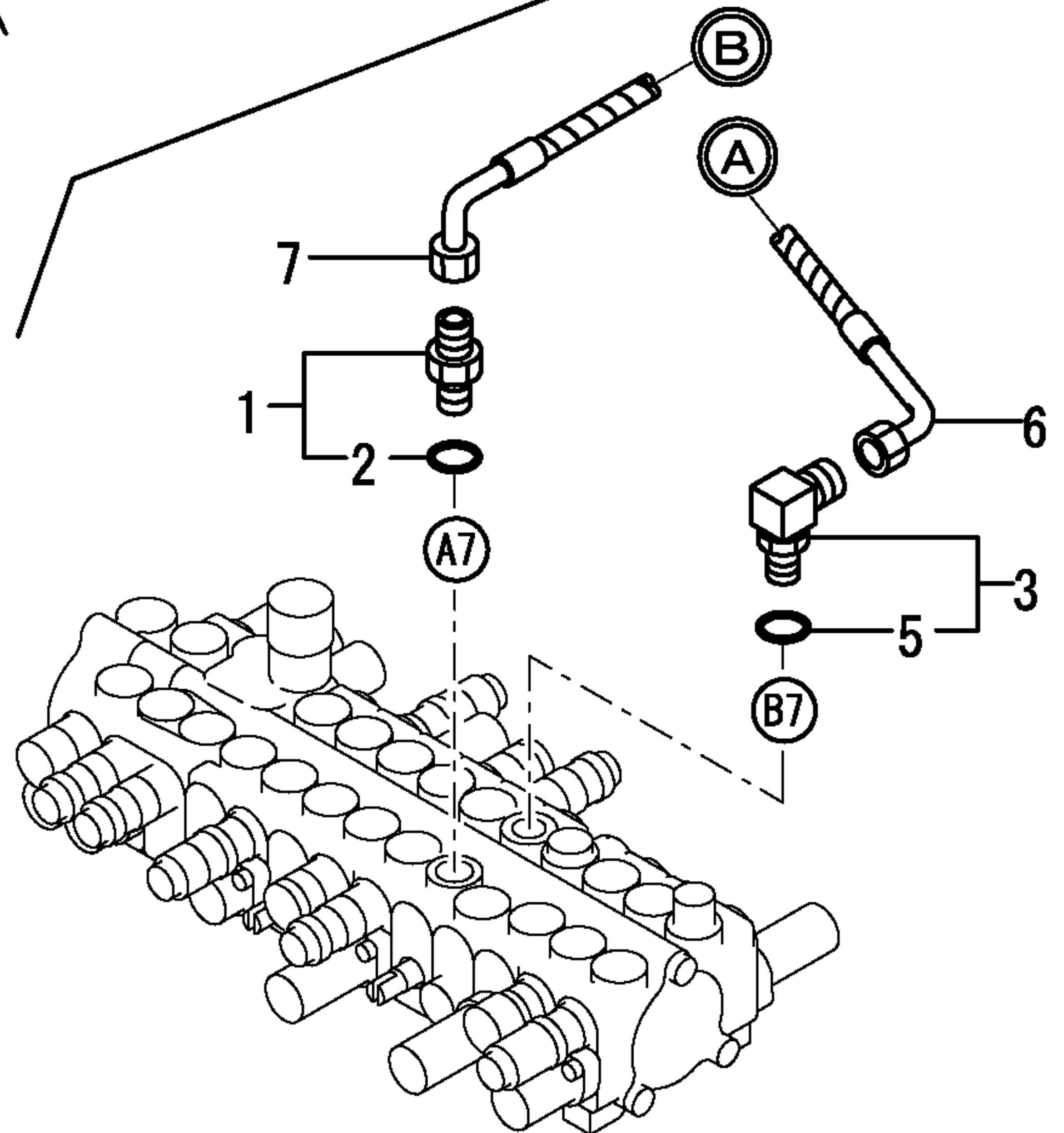
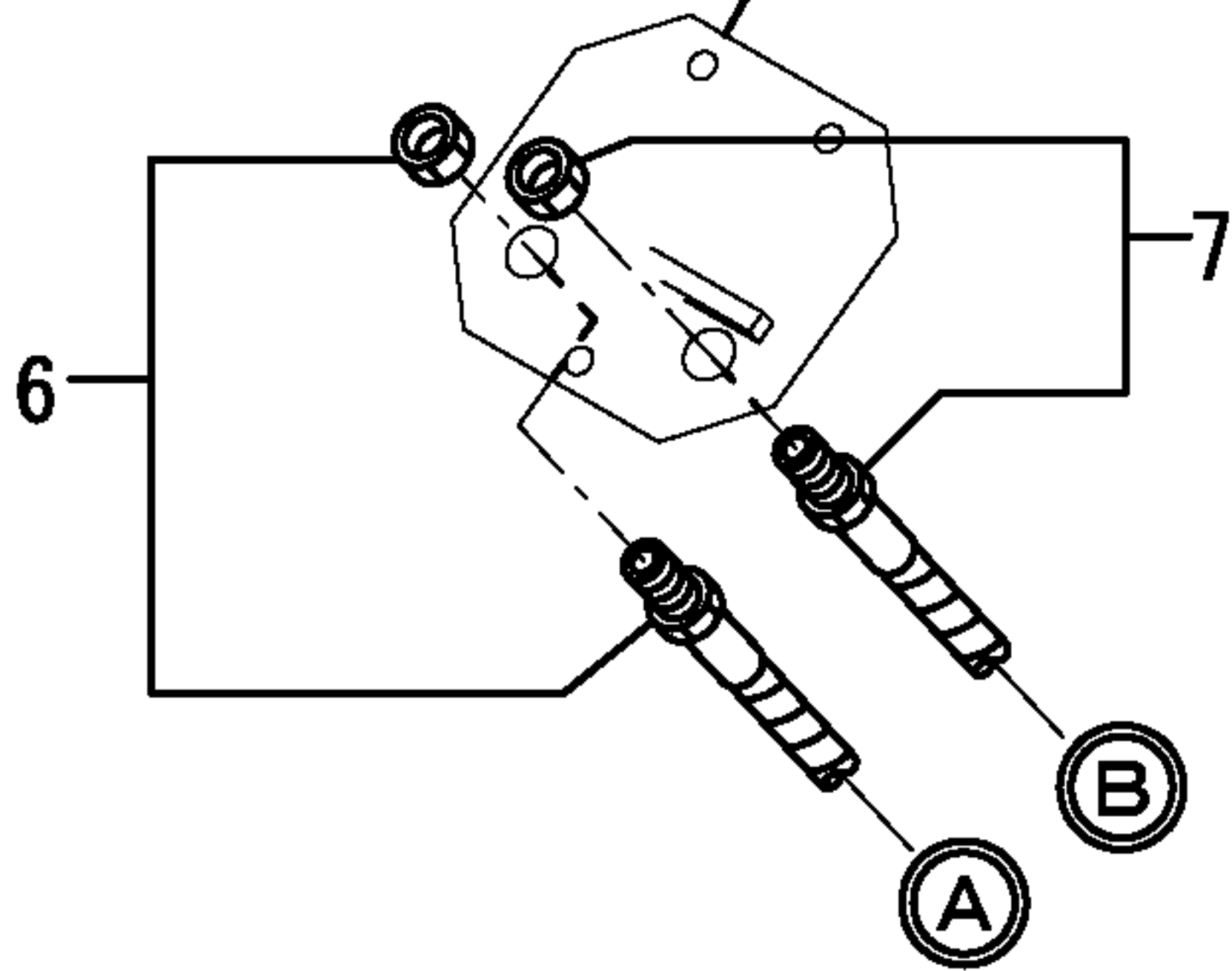


1,1,,172168-76160,, "CONNECTOR PF1/2-3/8",1,1,,,,,,,,,,,,,  
2,2,,24315-000140,, "O-RING 1B P-14.0",1,1,,,,,,,,,,,,,  
3,1,,172645-76570,, "CONNECTOR 3/8X1/2",1,1,,,,,,,,,,,,,  
5,2,,24315-000140,, "O-RING 1B P-14.0",1,1,,,,,,,,,,,,,  
6,1,,172444-78550,, "HOSE H208EX120S",1,1,,,,,,,,,,,,,  
7,1,,172444-78560,, "HOSE H208CX141S",1,1,,,,,,,,,,,,,

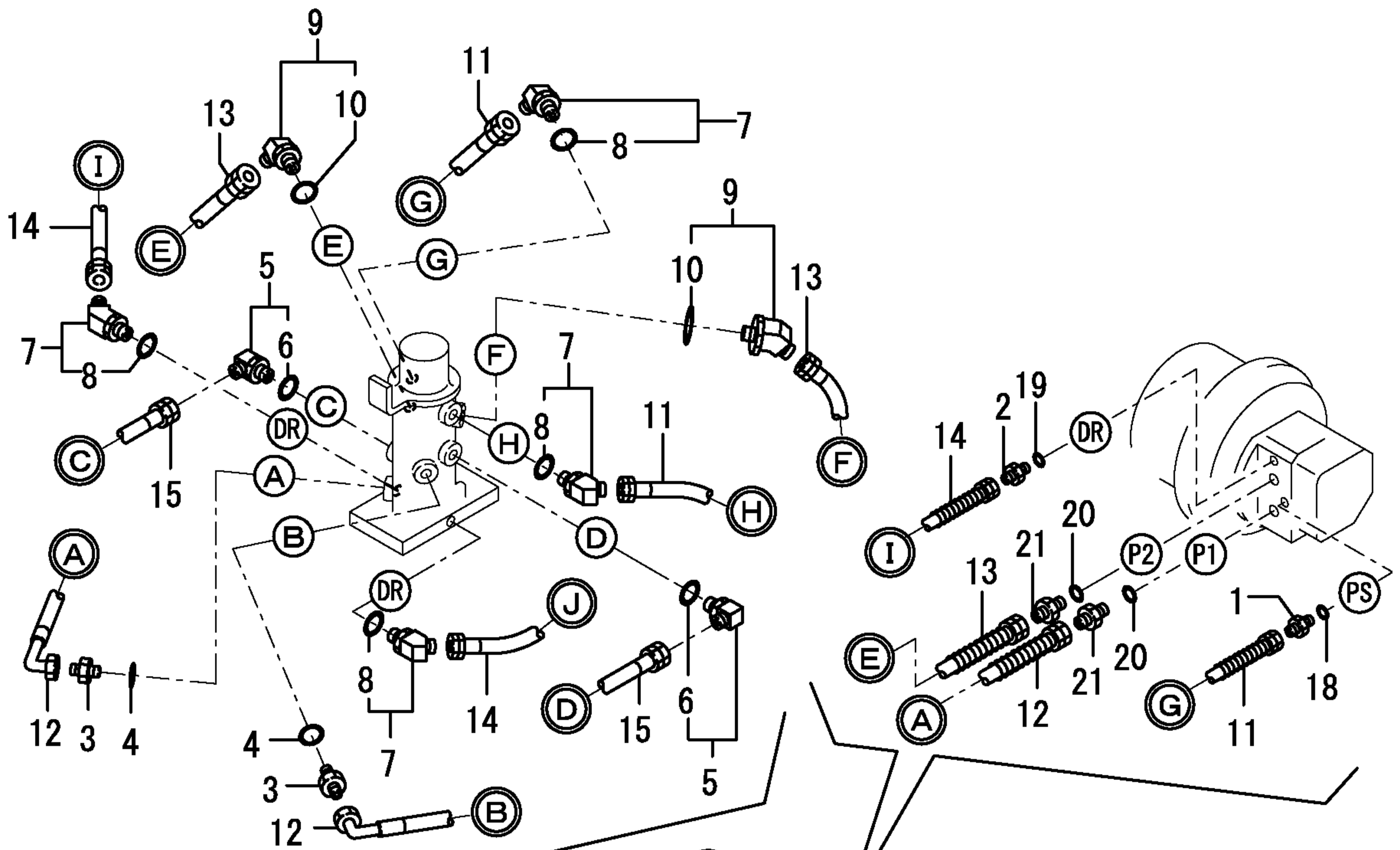


コントロールバルブ  
 CONTROL VALVE

REFER TO Fig. 33



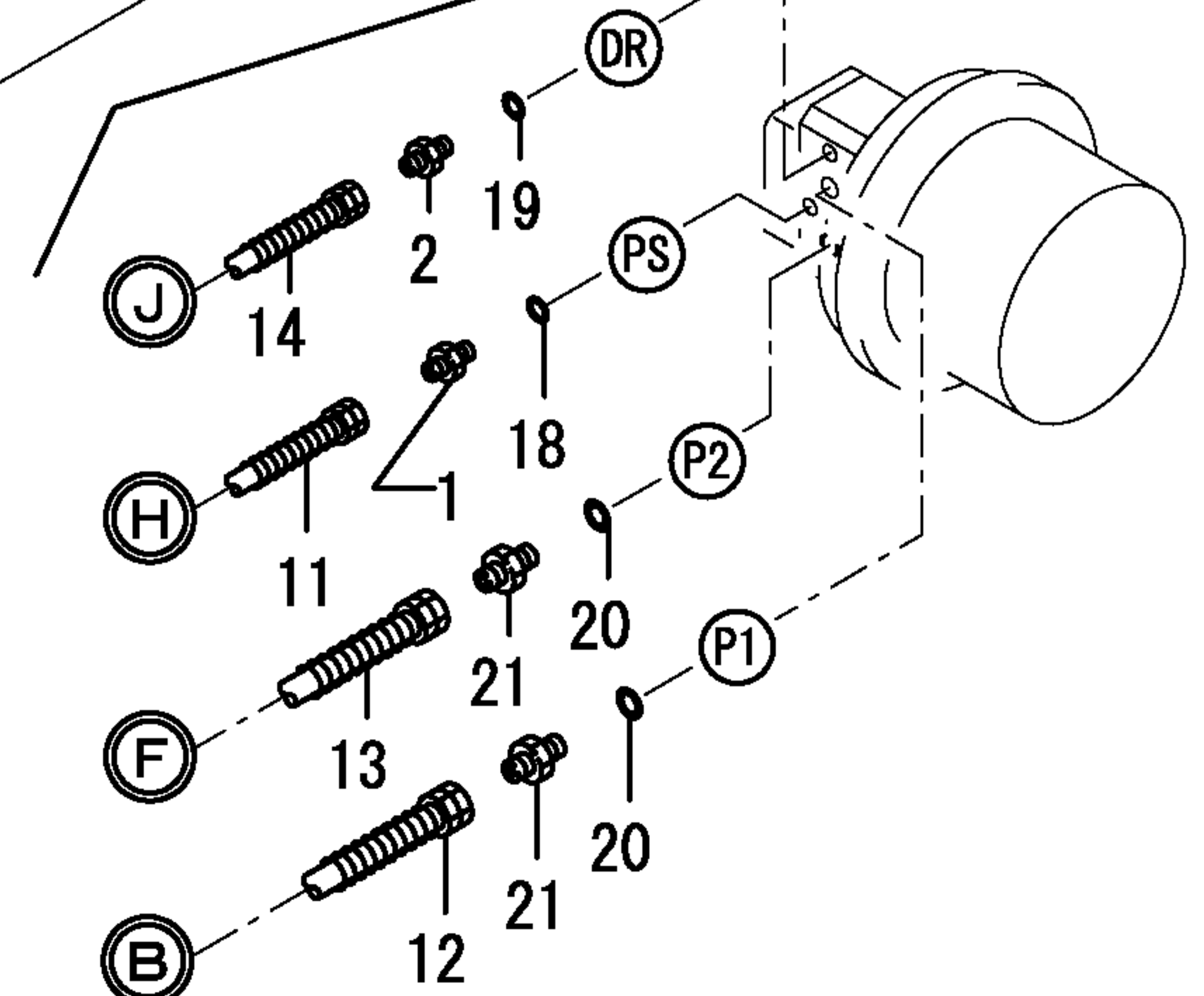
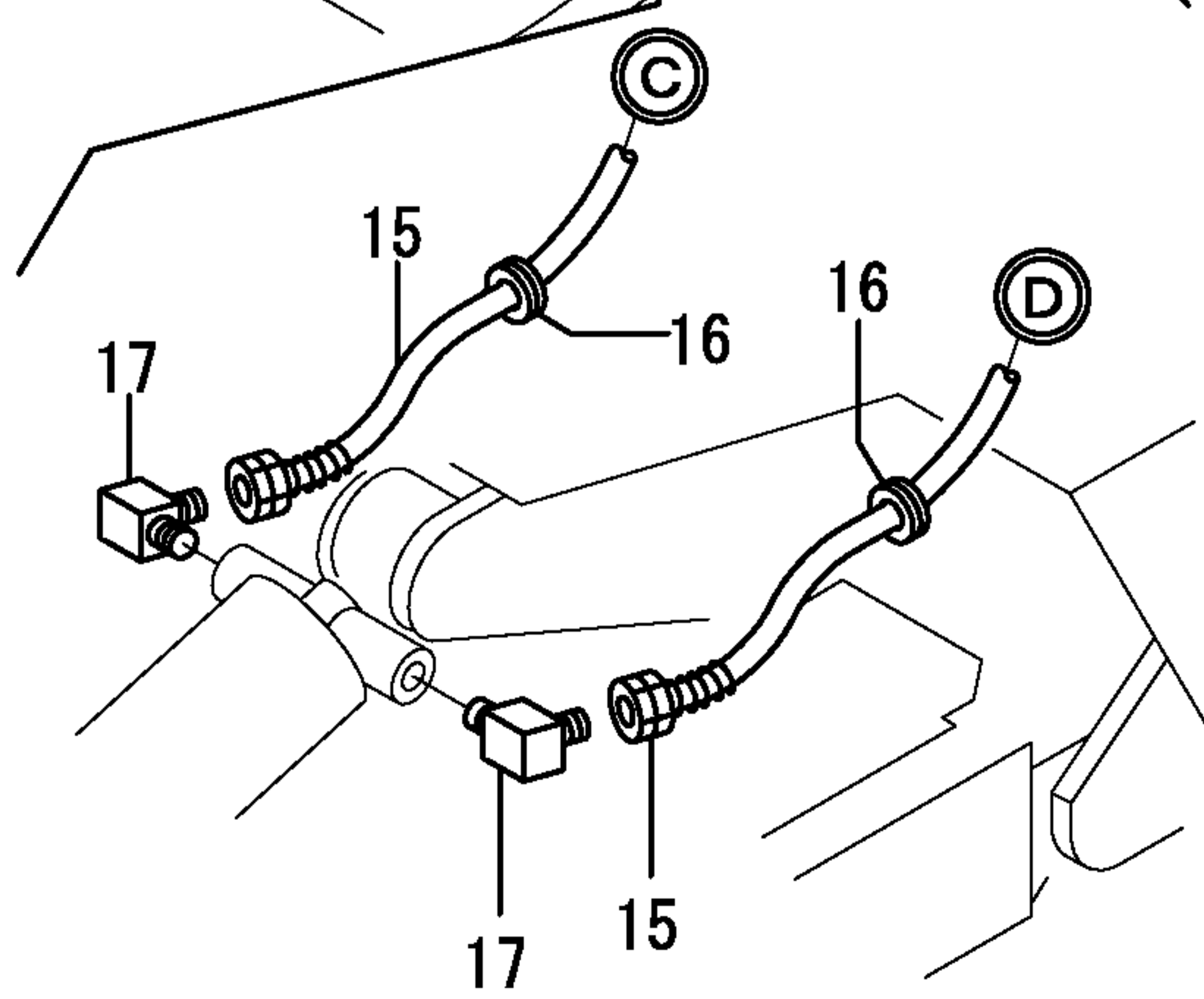
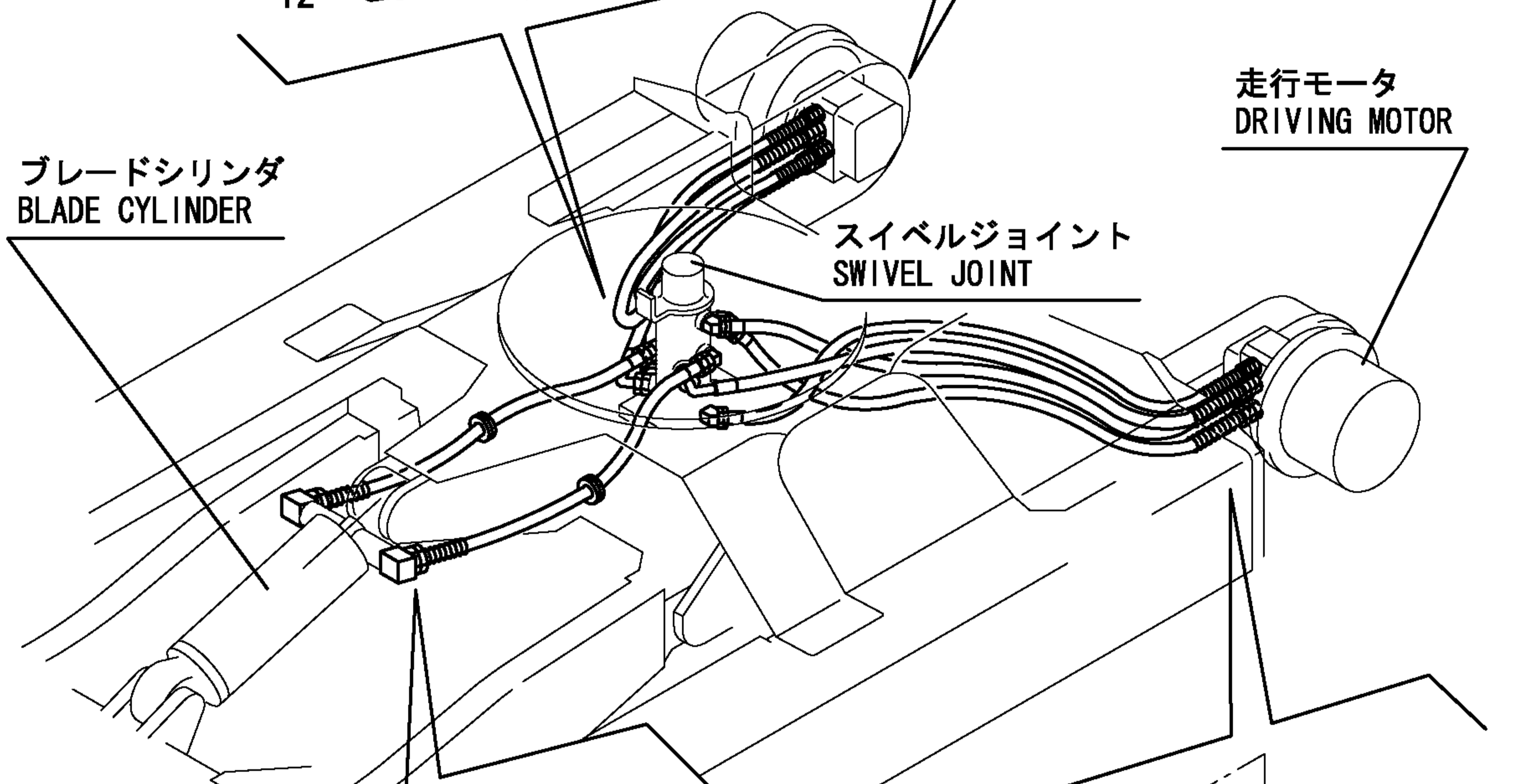
1,1,,172123-76130,, "CONNECTOR 3/4-1/4-55",2,2,2,,,,,,,,,,,,,  
2,1,,172157-76220,, "CONNECTOR 1/4-3/8",2,2,2,,,,,,,,,,,,,  
3,1,,172730-75140,, ADAPTOR,2,2,2,,,,,,,,,,,,,  
4,1,,24315-000140,, "O-RING 1B P-14.0",2,2,2,,,,,,,,,,,,,  
5,1,,172141-76180,, CONNECTOR,2,2,2,,,,,,,,,,,,,  
6,2,,24315-000110,, "O-RING 1B P-11.0",2,2,2,,,,,,,,,,,,,  
7,1,,172173-76100,, CONNECTOR,4,4,,,,,,,,,,,,,  
7-1,1,,172173-76101,, "CONNECTOR PF1/4-  
45",,4,4,,,R,,,72444394,M/#36670,,,,,,,,,I  
8,2,,24315-000110,, "O-RING 1B P-11.0",4,4,4,,,,,,,,,,,,,  
9,1,,172644-76160,, "ELBOW,45°ADJUSTING",2,2,,,,,,,,,,,,,  
9-1,1,,172644-76161,, "ADJUST ELBOW 45°",,2,2,,,R,,,72444394,M/#36670,,,,,,,,,I  
10,2,,24315-000140,, "O-RING 1B P-14.0",2,2,2,,,,,,,,,,,,,  
11,1,,172422-78350,, HOSE,2,2,2,,,,,,,,,,,,,  
12,1,,172422-78360,, "HOSE F206BC108W",2,2,2,,,,,,,,,,,,,  
13,1,,172422-78370,, "HOSE F206BB105W",2,2,2,,,,,,,,,,,,,  
14,1,,172422-78380,, HOSE,2,2,2,,,,,,,,,,,,,  
15,1,,172422-78390,, "HOSE F204BB068W",2,2,2,,,,,,,,,,,,,  
16,1,,172422-78760,, GROMMET,2,2,2,,,,,,,,,,,,,  
17,1,,23393-020000,, "JOINT 90RGI1/4",2,2,2,,,,,,,,,,,,,  
18,1,,24315-000110,, "O-RING 1B P-11.0",2,2,2,,,,,,,,,,,,,  
19,1,,24315-000110,, "O-RING 1B P-11.0",2,2,2,,,,,,,,,,,,,  
20,1,,24315-000180,, "O-RING 1B P-18.0",4,4,4,,,,,,,,,,,,,  
21,1,,933160-01370,, "CONNECTOR PF1/2-3/8",4,4,4,,,,,,,,,,,,,



ブレードシリンダ  
BLADE CYLINDER

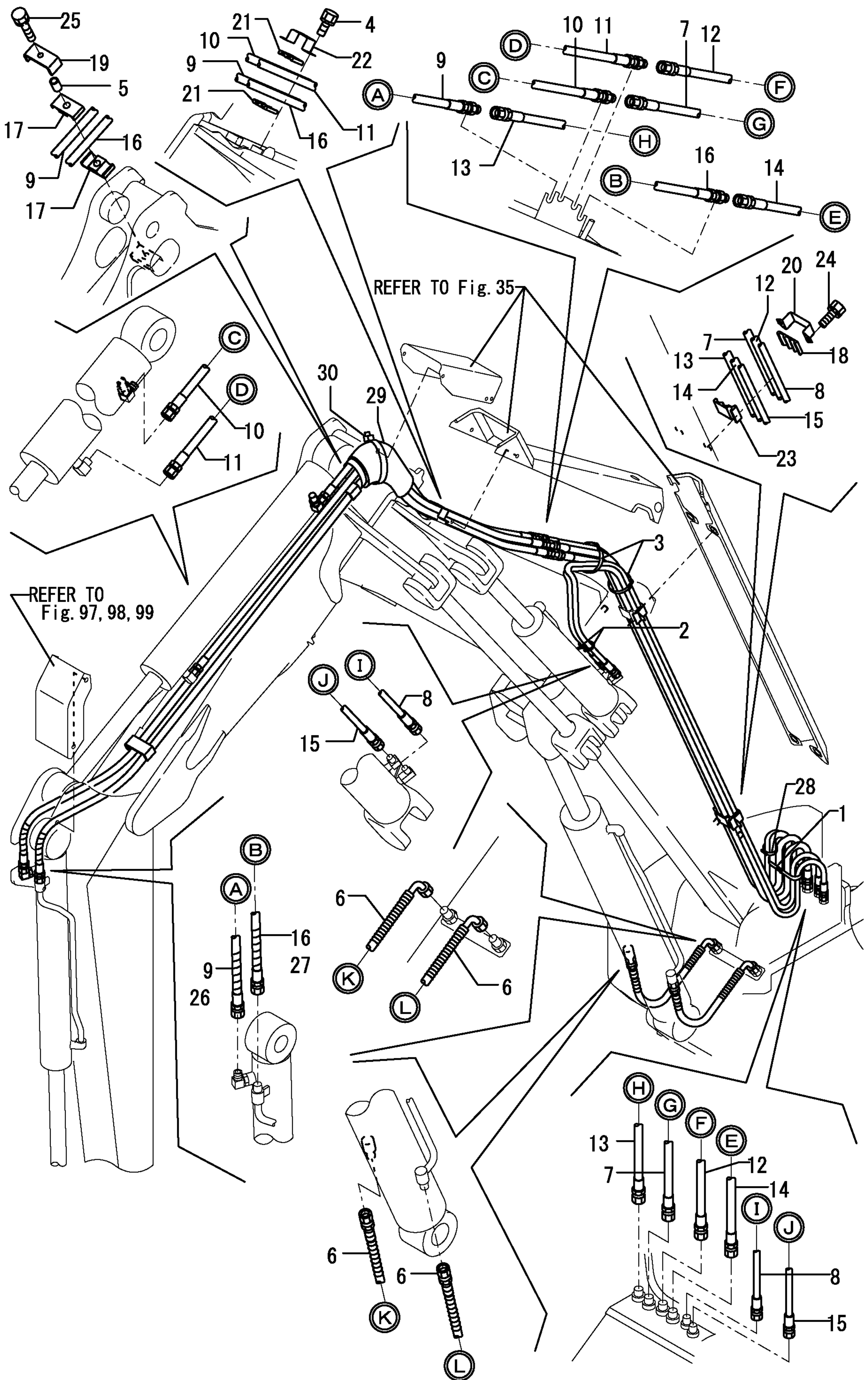
走行モータ  
DRIVING MOTOR

スイベルジョイント  
SWIVEL JOINT



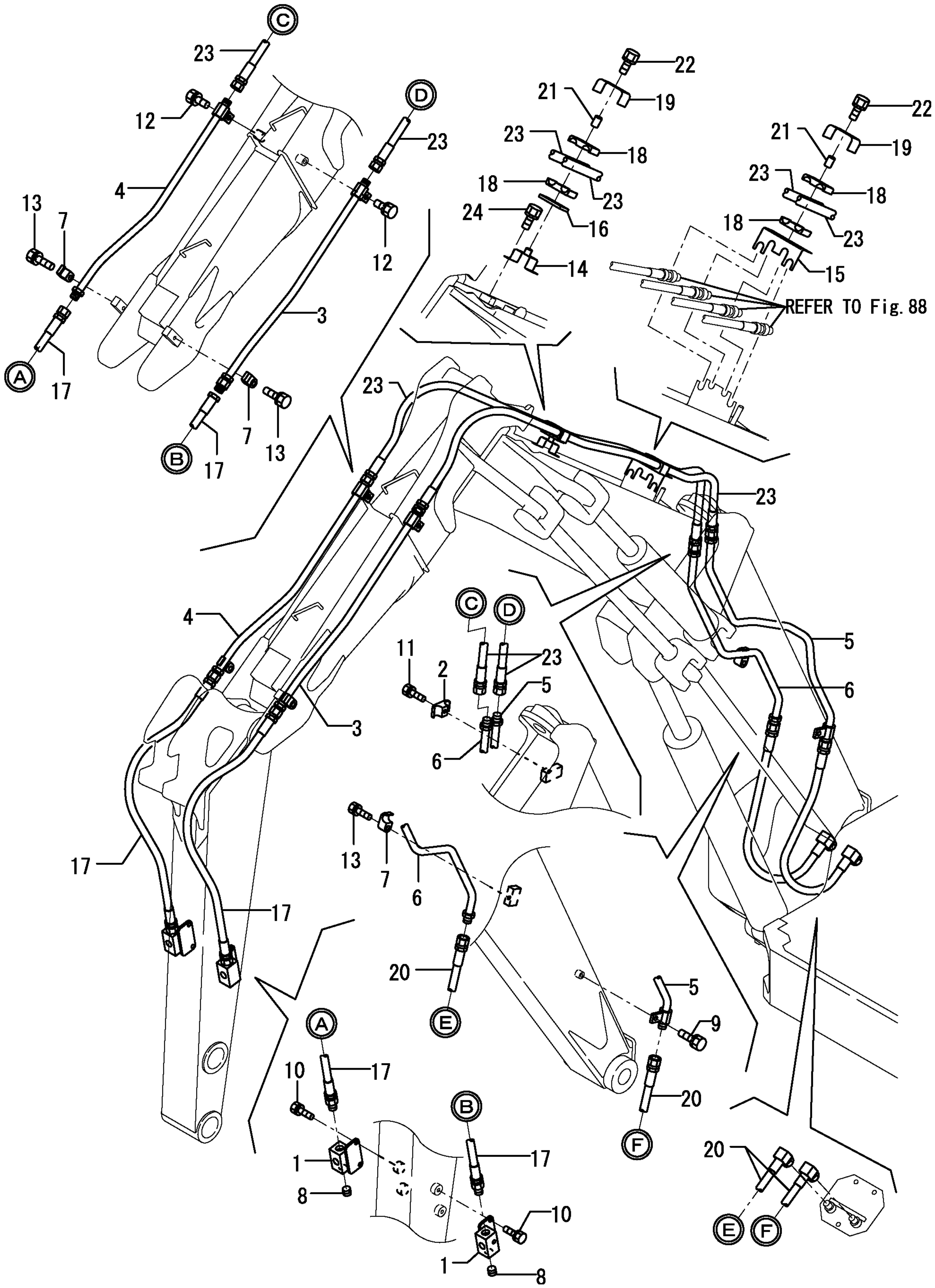
1,1,,172122-79930,, "CLAMP B",2,,,,,,M,,,,,,,,,  
1-1,1,,172183-16560,, "CLIP 400,HOSE",1,1,1,,,,,,,,,  
2,1,,172310-16240,, CLANP,2,2,2,,,,,,,,,  
3,1,,172183-16560,, "CLIP 400,HOSE",2,2,2,,,,,,,,,  
4,1,,26013-080122,, "BOLT M 8X 12",2,,,,,,M,,,,,,,,,  
4-1,1,,26013-080162,, "BOLT W/WASHER M8X16",2,2,2,,,,,,,,,  
5,1,,172175-76420,, "COLLAR, TUBE",2,2,2,,,,,,,,,  
6,1,,172444-78420,, HOSE,2,2,2,,,,,,,,,  
7,1,,172444-78430,, HOSE,1,1,1,,,,,,,,,  
8,1,,172444-78440,, HOSE,1,1,1,,,,,,,,,  
9,1,,172444-78450,, "HOSE H206BX247S",1,1,1,,,,,,,,,  
10,1,,172444-78460,, "HOSE H206BX109",1,1,1,,,,,,,,,  
11,1,,172444-78470,, "HOSE H206BX169",1,1,1,,,,,,,,,  
12,1,,172444-78480,, HOSE,1,1,1,,,,,,,,,  
13,1,,172444-78490,, HOSE,1,1,1,,,,,,,,,  
14,1,,172444-78500,, HOSE,1,1,1,,,,,,,,,  
15,1,,172444-78510,, HOSE,1,1,1,,,,,,,,,  
16,1,,172444-78520,, "HOSE H206BX248S",1,1,1,,,,,,,,,  
17,1,,172186-78860,, SUPPORT,4,4,4,,,,,,,,,  
18,1,,172444-78900,, SUPPORT,2,2,2,,,,,,,,,  
19,1,,172186-78910,, "CLAMP,HOSE(GREEN:97)",2,2,2,,,,,,,,,  
20,1,,172444-78910,, "CLAMP A",2,2,2,,,,,,,,,  
21,1,,172444-78920,, "SUPPORT B,HOSE",2,2,2,,,,,,,,,  
22,1,,172444-78930,, "CLAMP B",1,1,1,,,,,,,,,  
23,1,,172444-78950,, "SUPPORT AL,HOSE",2,2,2,,,,,,,,,  
24,1,,26013-080202,, "BOLT W/WASHER M8X20",4,,,,,,M,,,,,,,,,  
24-1,1,,26013-080162,, "BOLT W/WASHER M8X16",4,4,4,,,,,,,,,  
25,1,,26013-100402,, "BOLT M10X 40",2,2,2,,,,,,,,,  
26,1,,172444-78880,, "HOSE H206BX259S",1,1,,,,,1,,,,,,,,,  
27,1,,172444-78890,, "HOSE H206BX259S",1,1,,,,,1,,,,,,,,,  
28,1,,172126-11510,, "BAND 300",1,1,1,,,,,,,,,  
29,1,,172444-78980,, "COVER, HOSE",1,1,1,,,,,W,,72444369,M/#35023,,,,,,,,,  
30,1,,172122-79930,, "CLAMP B",3,3,3,,,,,W,,72444369,M/#35023,,,,,,,,





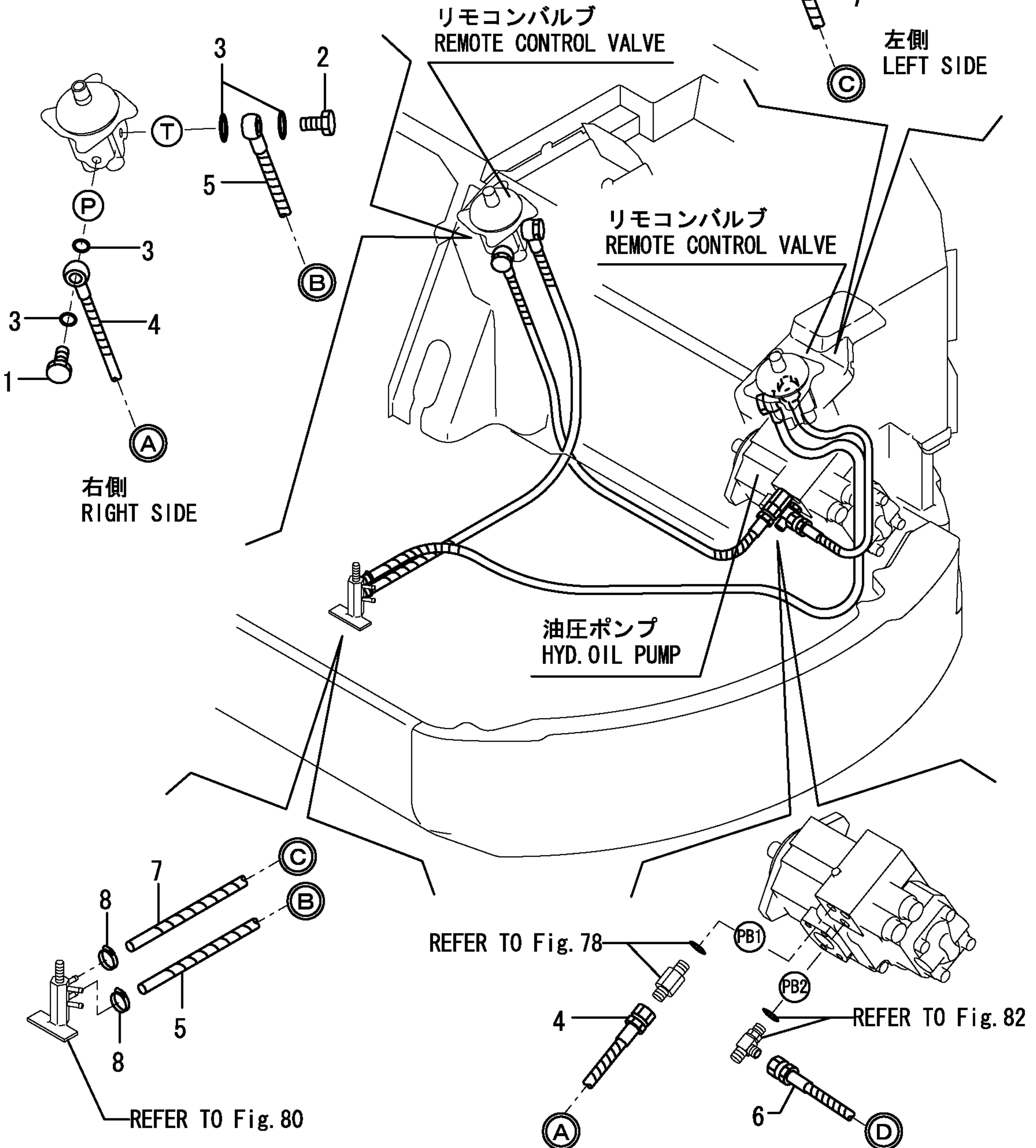
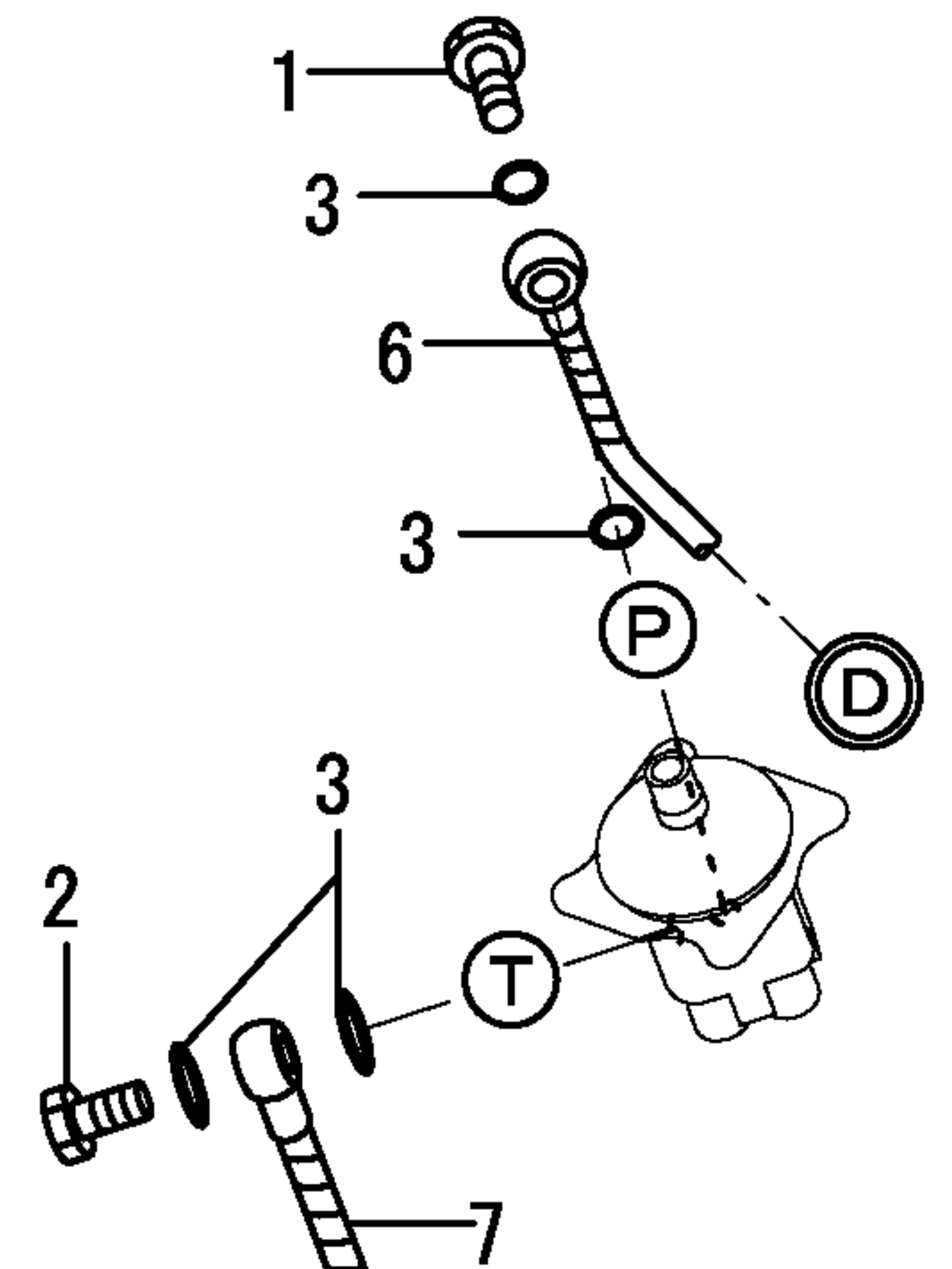
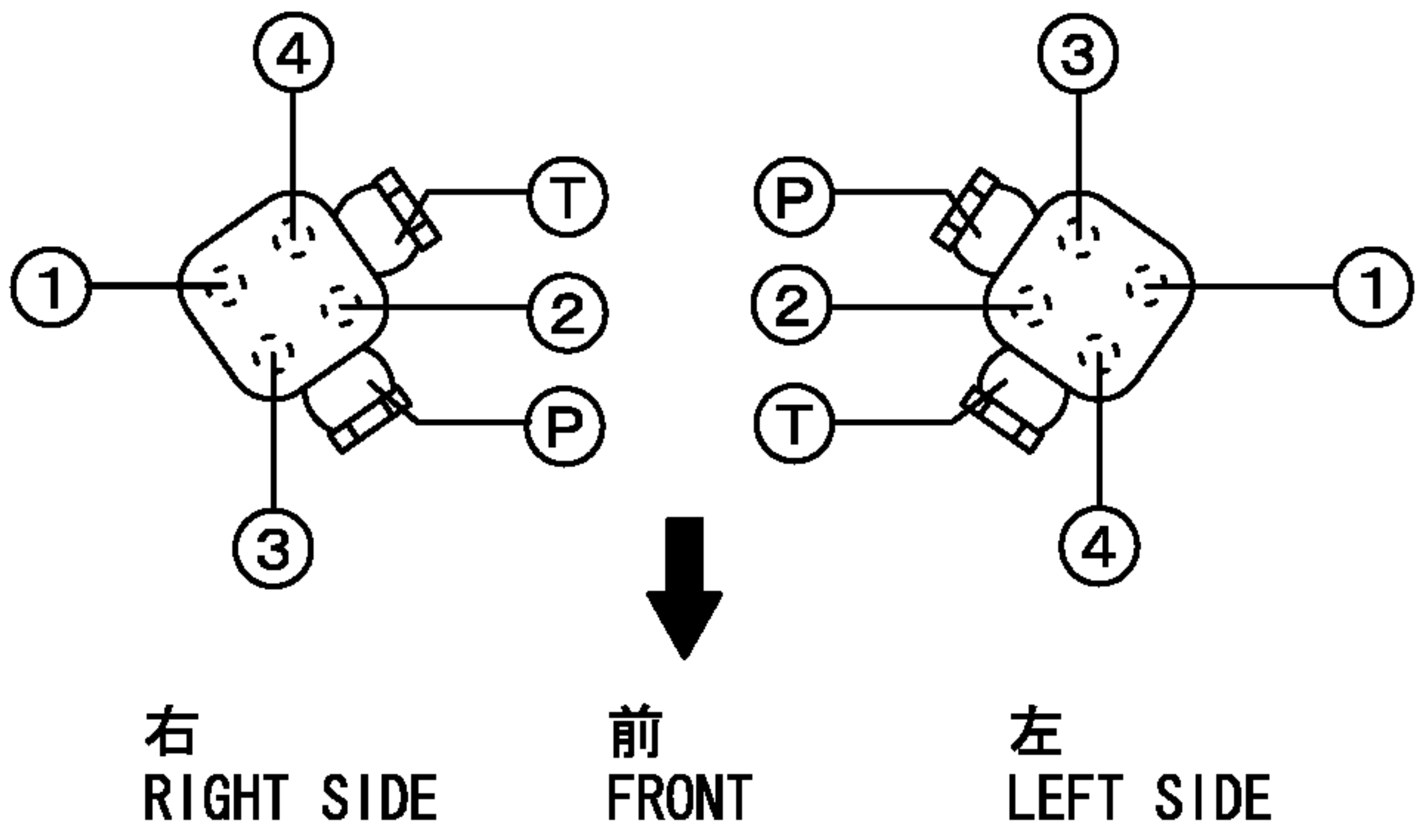


1,1,,172183-74820,, "STOP VALVE",2,2,,,,,,,,,,,,,,,,,,,,,  
2,1,,172112-76300,, "RETAINER A,BOOM PIPE",1,1,,,,,,,,,,,,,,,,,,,,,  
3,1,,172444-76610,, "TUBE,L (P.T.O.) (97)",1,1,,,,,,,,,,,,,,,,,,,,,  
4,1,,172444-76650,, "TUBE,R (P.T.O.) (97)",1,1,,,,,,,,,,,,,,,,,,,,,  
5,1,,172444-76730,, "TUBE,LL(P.T.O.) (97)",1,1,,,,,,,,,,,,,,,,,,,,,  
6,1,,172444-76750,, "TUBE,RR(P.T.O.) (97)",1,1,,,,,,,,,,,,,,,,,,,,,  
7,1,,172142-76950-4,, "CLAMP 1/2 (GREEN:97)",3,3,,,,,,,,,,,,,,,,,,,,,  
8,1,,23871-040000,, "PLUG PT1/2,SCREW",2,2,,,,,,,,,,,,,,,,,,,,,  
9,1,,26013-100202,, "BOLT W/WASHER M10X20",1,1,,,,,,,,,,,,,,,,,,,,,  
10,1,,26013-100252,, "BOLT W/WASHER M10X25",4,4,,,,,,,,,,,,,,,,,,,,,  
11,1,,26013-100452,, "BOLT M10X 45",1,1,,,,,,,,,,,,,,,,,,,,,  
12,1,,26013-120252,, "BOLT M12X 25",2,2,,,,,,,,,,,,,,,,,,,,,  
13,1,,26013-120402,, "BOLT M12X 40",3,3,,,,,,,,,,,,,,,,,,,,,  
14,1,,172444-76680,, "BRACKET,P HOSE",1,1,,,,,,,,,,,,,,,,,,,,,  
15,1,,172444-76700,, "SUPPORT,P.T.O.HOSE",1,1,,,,,,,,,,,,,,,,,,,,,  
16,1,,172444-76770,, "PLATE",1,1,,,,,,,,,,,,,,,,,,,,,  
17,1,,172175-78372,, "HOSE",2,2,,,,,,,,,,,,,,,,,,,,,  
18,1,,172445-78950,, "SUPPORT C,HOSE",4,4,,,,,,,,,,,,,,,,,,,,,  
19,1,,172445-78960,, "CLAMP C,HOSE(GREEN97)",2,2,,,,,,,,,,,,,,,,,,,,,  
20,1,,172444-78970,, "HOSE H208BV068",2,2,,,,,,,,,,,,,,,,,,,,,  
21,1,,172445-78980,, "COLLAR,CLAMP",2,2,,,,,,,,,,,,,,,,,,,,,  
22,1,,26013-100502,, "BOLT M10X 50",2,2,,,,,,,,,,,,,,,,,,,,,  
23,1,,172444-78570,, "HOSE H208BB205",2,2,,,,,,,,,,,,,,,,,,,,,  
24,1,,26013-080162,, "BOLT W/WASHER M8X16",2,2,,,,,,,,,,,,,,,,,,,,,

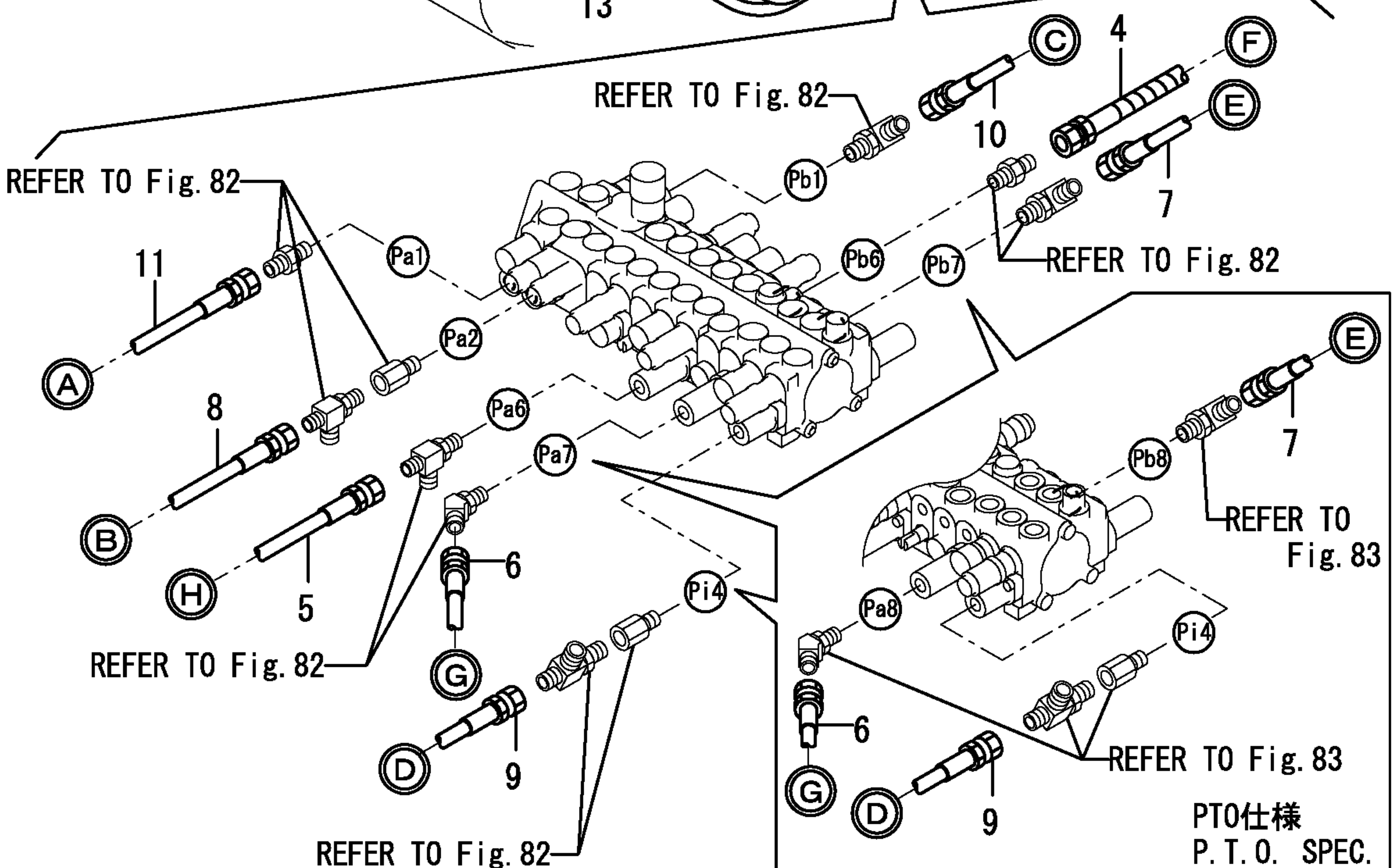
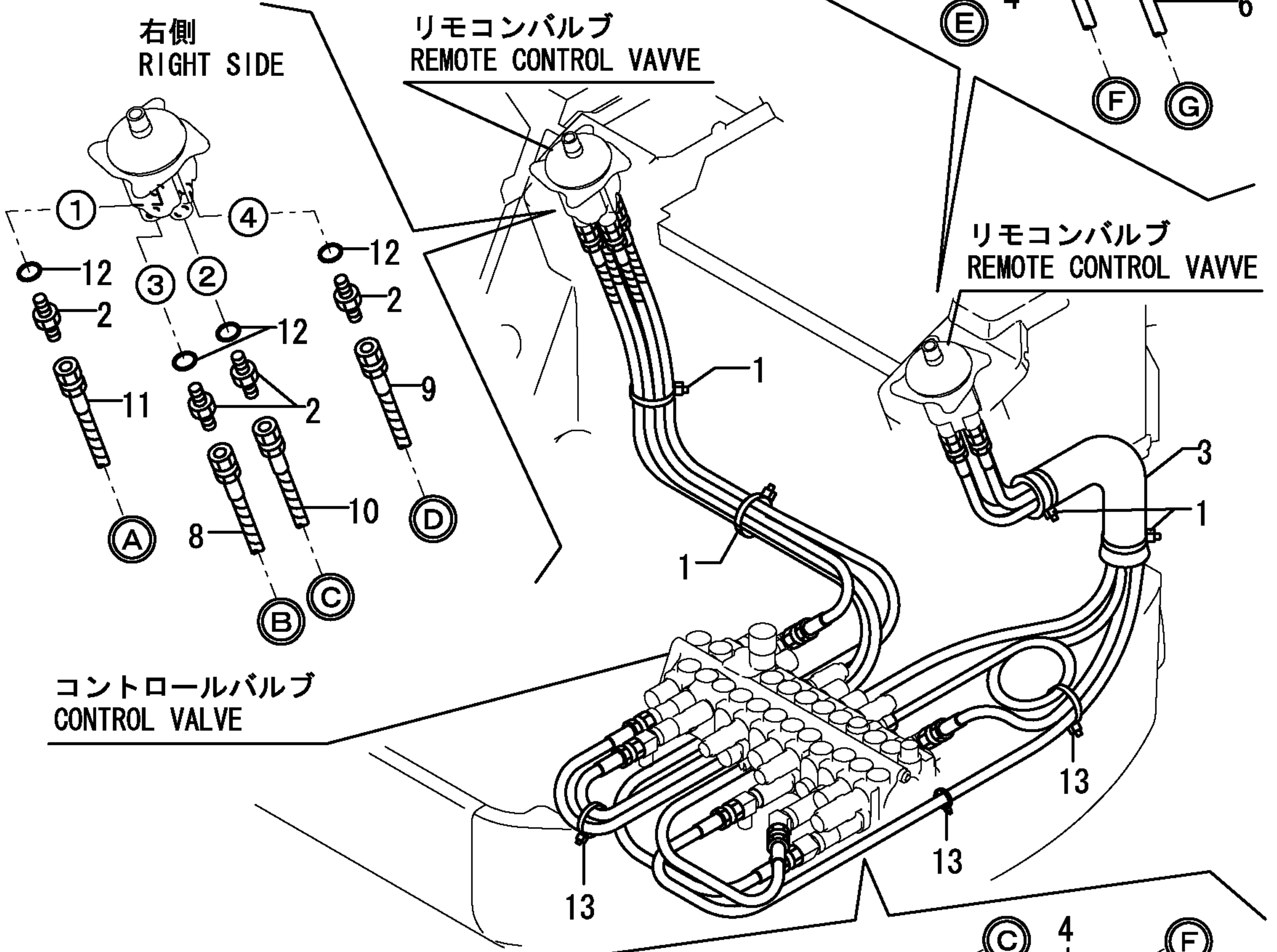
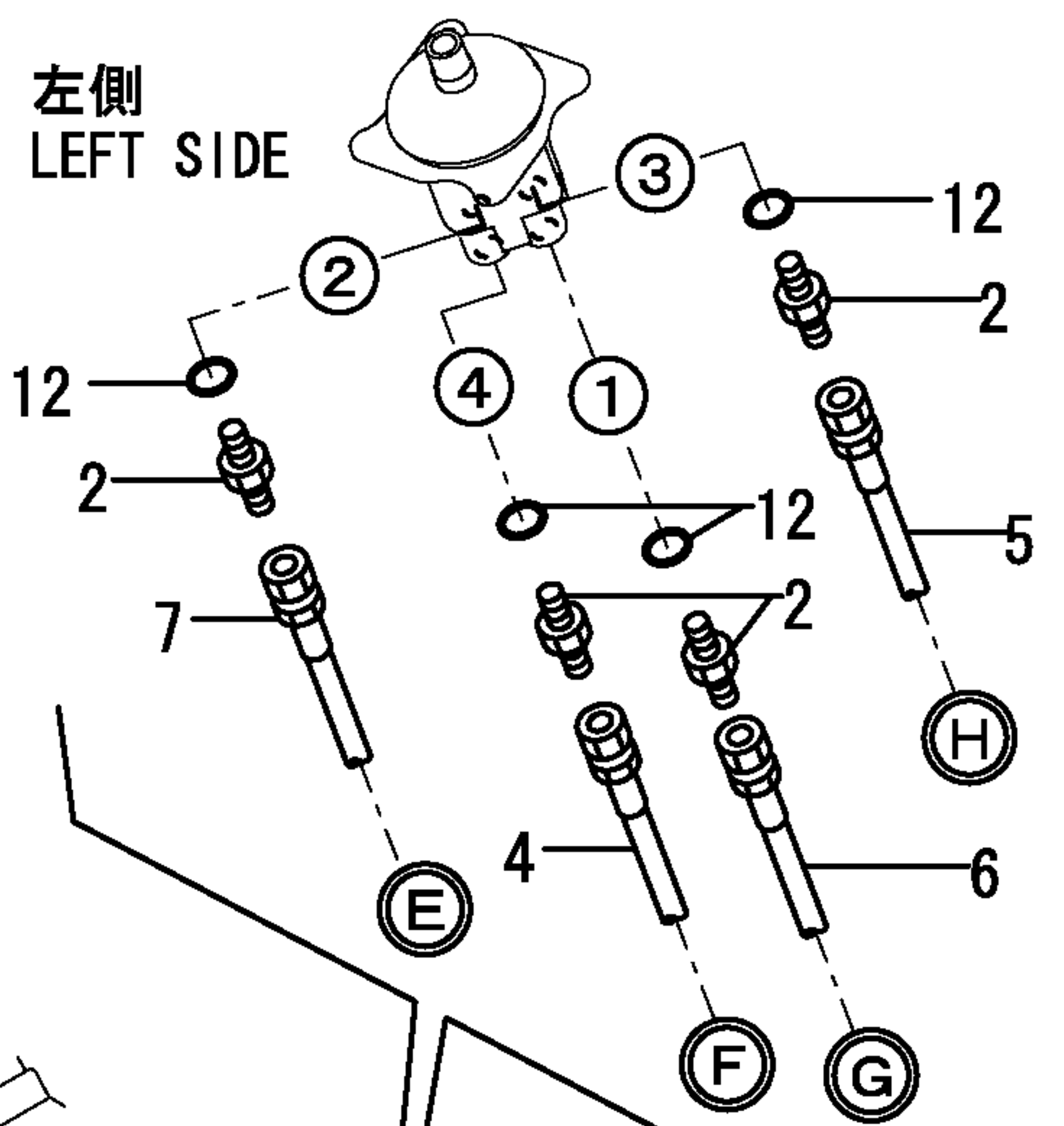
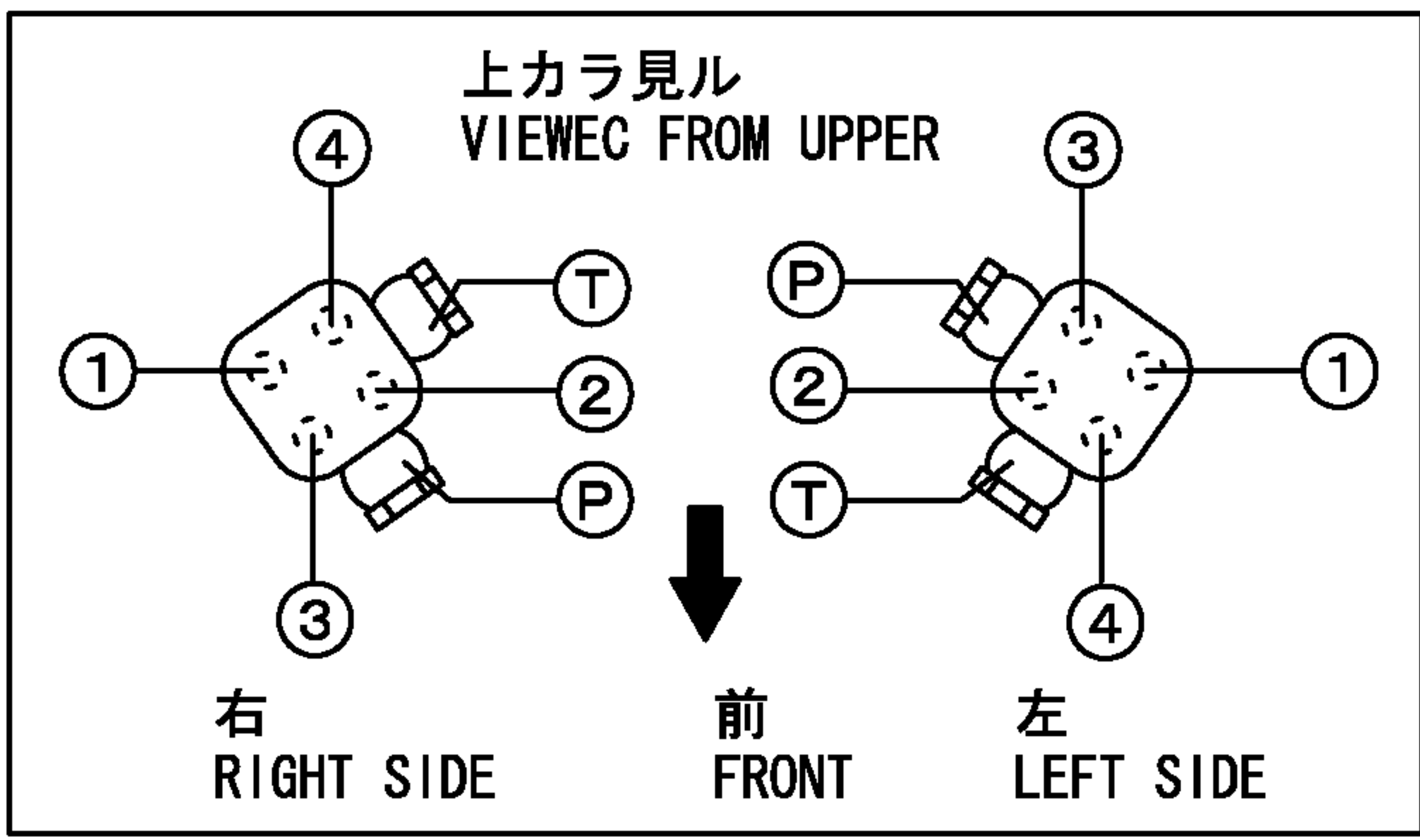


1,1,,172151-76030,, "BOLT, PIPE JOINT",2,2,2,,,,,,,,,,,,,  
2,1,,172151-76040,, "BOLT, PIPE JOINT",2,2,2,,,,,,,,,,,,,  
3,1,,24315-000180,, "O-RING 1B P-18.0",8,8,8,,,,,,,,,,,,,  
4,1,,172444-78600,, HOSE,1,1,1,,,,,,,,,,,,,  
5,1,,172444-78610,, HOSE,1,1,1,,,,,,,,,,,,,  
6,1,,172444-78660,, HOSE,1,1,1,,,,,,,,,,,,,  
7,1,,172444-78670,, HOSE,1,1,1,,,,,,,,,,,,,  
8,1,,23000-013000,, "CLAMP 13",2,2,2,,,,,,,,,,,,,

上から見る  
VIEW FROM UPPER



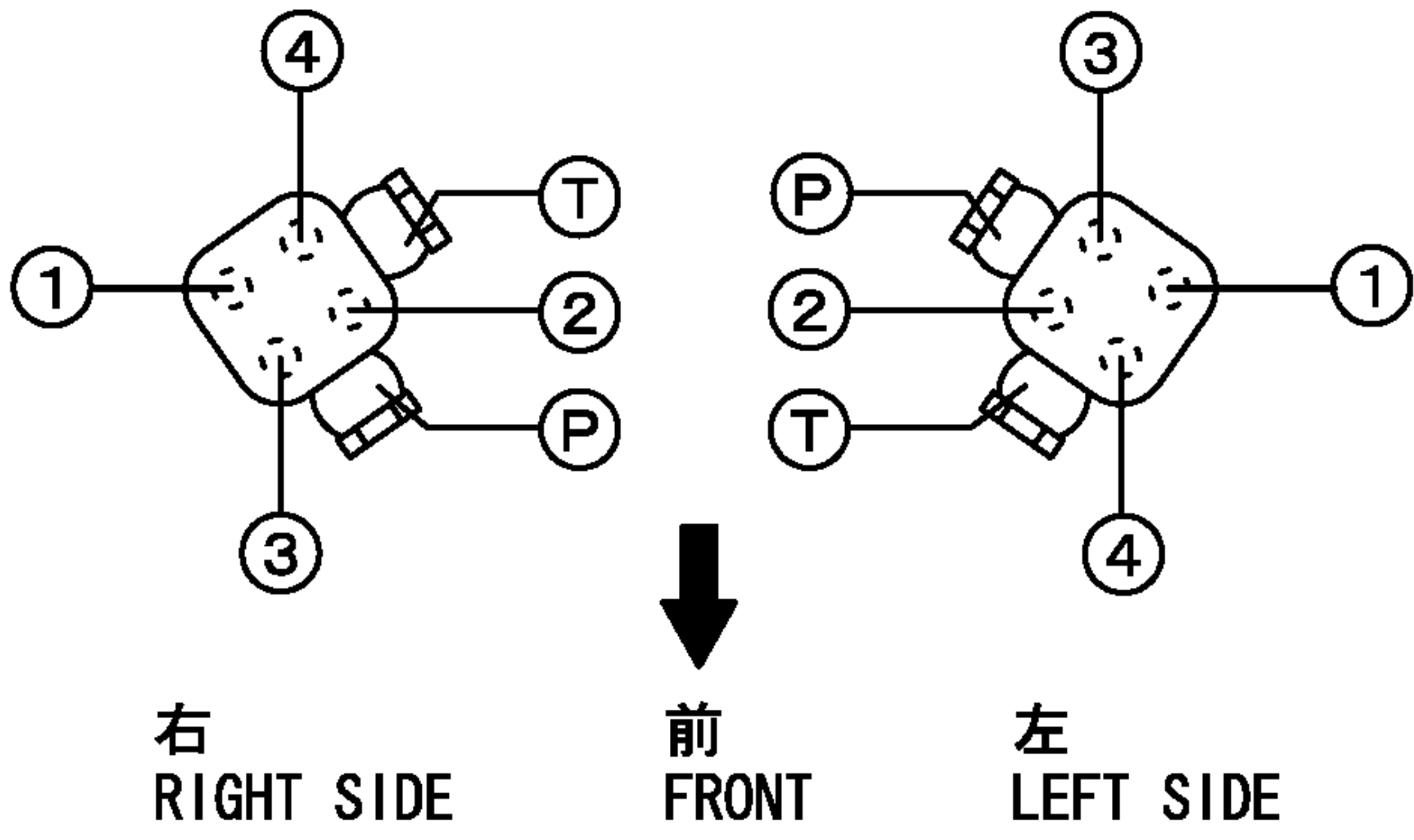
1,1,,172126-11510,, "BAND 300",4,,,,,,,,,,,,,,,,,,,,,  
1-1,1,,172122-79930,, "CLAMP B",4,4,4,,,,,R,,72445190,M/#30621,,,,,,,,,,,,,  
2,1,,172123-76120,, "CONNECTOR PF1/4",8,8,8,,,,,,,,,,,,,,,,,,,,,  
3,1,,172444-78800,, "SPONGE, HOSE",1,1,1,,,,,,,,,,,,,,,,,,,,,  
4,1,,172422-78970,, HOSE,1,1,1,,,,,,,,,,,,,,,,,,,,,  
5,1,,172444-79110,, HOSE,1,1,1,,,,,,,,,,,,,,,,,,,,,  
6,1,,172444-79120,, HOSE,1,1,1,,,,,,,,,,,,,,,,,,,,,  
7,1,,172444-79130,, HOSE,1,1,1,,,,,,,,,,,,,,,,,,,,,  
8,1,,172444-79140,, HOSE,1,1,1,,,,,,,,,,,,,,,,,,,,,  
9,1,,172444-79150,, HOSE,1,1,1,,,,,,,,,,,,,,,,,,,,,  
10,1,,172444-79160,, HOSE,1,1,1,,,,,,,,,,,,,,,,,,,,,  
11,1,,172444-79170,, HOSE,1,1,1,,,,,,,,,,,,,,,,,,,,,  
12,1,,24315-000110,, "O-RING 1B P-11.0",8,8,8,,,,,,,,,,,,,,,,,,,,,  
13,1,,172122-79930,, "CLAMP B",3,3,3,,,,,W,,72444319,M/#30718,,,,,,,,,,,,,



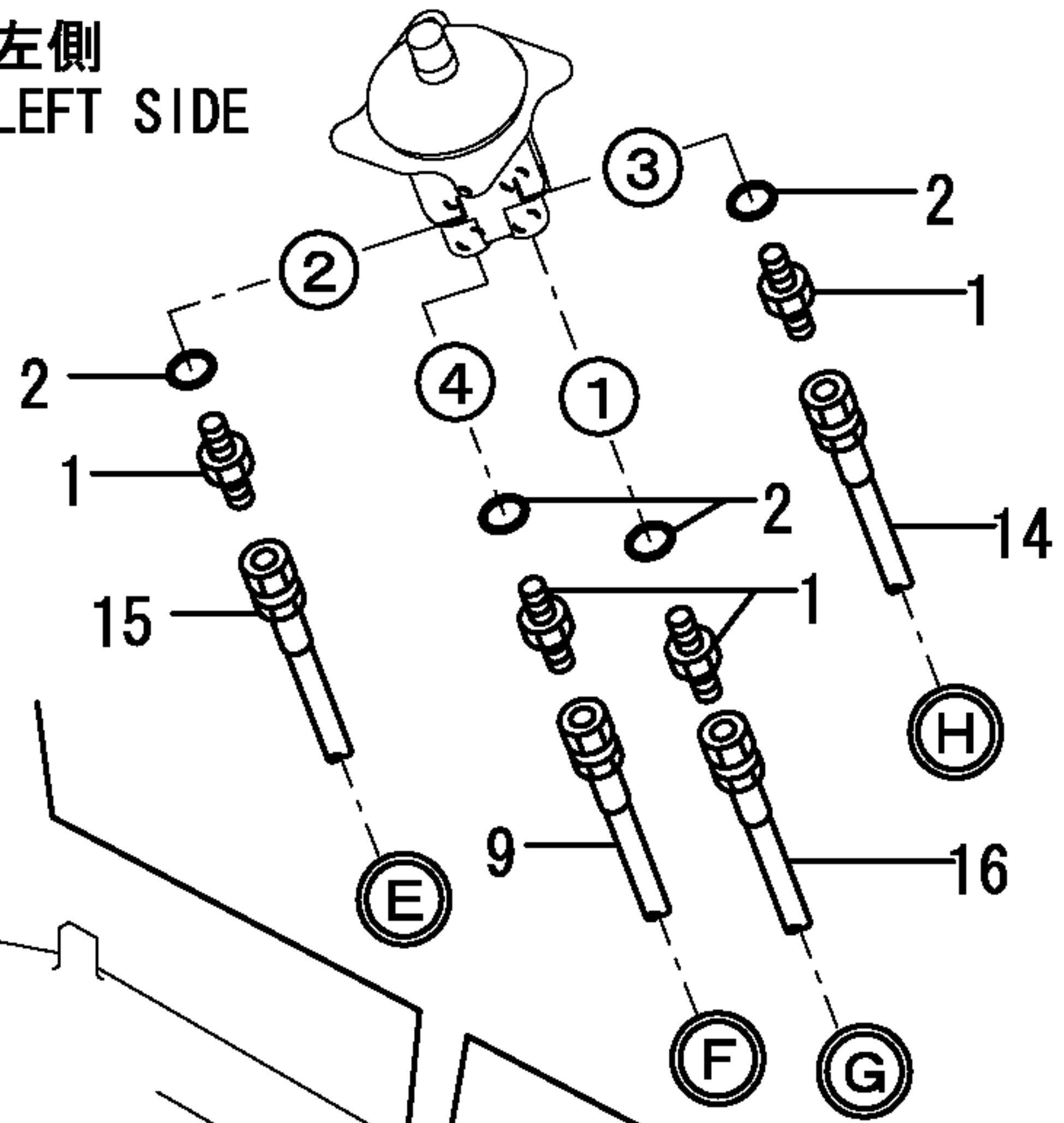


1,1,,172123-76120,, "CONNECTOR PF1/4",8,8,8,,,,,,,,,,,,,  
2,1,,24315-000110,, "O-RING 1B P-11.0",8,8,8,,,,,,,,,,,,,  
3,1,,172173-76100,,CONNECTOR,2,2,,,,,,,,,,,,,  
3-1,1,,172173-76101,, "CONNECTOR PF1/4-  
45" ,2,2,,,R,,,,72444394,M/#36670,,,,,,,,,I  
4,2,,24315-000110,, "O-RING 1B P-11.0",2,2,2,,,,,,,,,,,,,  
5,1,,172123-76120,, "CONNECTOR PF1/4",1,1,1,,,,,,,,,,,,,  
6,1,,172141-76180,,CONNECTOR,5,5,5,,,,,,,,,,,,,  
7,2,,24315-000110,, "O-RING 1B P-11.0",5,5,5,,,,,,,,,,,,,  
8,1,,24315-000110,, "O-RING 1B P-11.0",1,1,1,,,,,,,,,,,,,  
9,1,,172444-78710,,HOSE,1,1,1,,,,,,,,,,,,,  
10,1,,172444-78620,,HOSE,1,1,1,,,,,,,,,,,,,  
11,1,,172444-78630,,HOSE,1,1,1,,,,,,,,,,,,,  
12,1,,172444-78640,,HOSE,1,1,1,,,,,,,,,,,,,  
13,1,,172444-78650,,HOSE,1,1,1,,,,,,,,,,,,,  
14,1,,172444-78680,,HOSE,1,1,1,,,,,,,,,,,,,  
15,1,,172444-78690,,HOSE,1,1,1,,,,,,,,,,,,,  
16,1,,172444-78700,,HOSE,1,1,1,,,,,,,,,,,,,  
17,1,,172122-79930,, "CLAMP B",4,4,4,,,,,,,,,,,,,  
18,1,,172444-78800,, "SPONGE, HOSE",1,1,1,,,,,,,,,,,,,

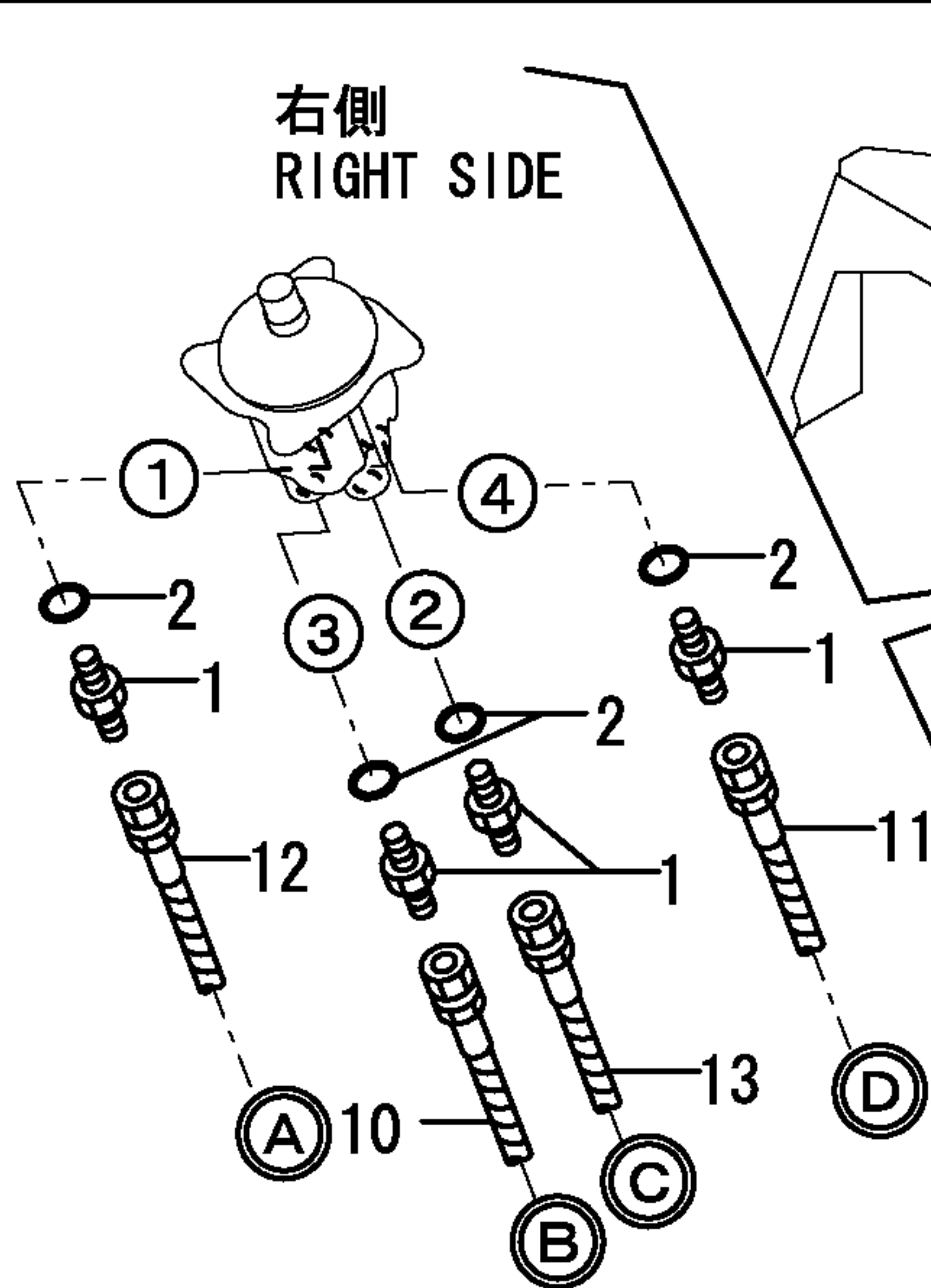
上から見る  
VIEWEC FROM UPPER



左側  
LEFT SIDE



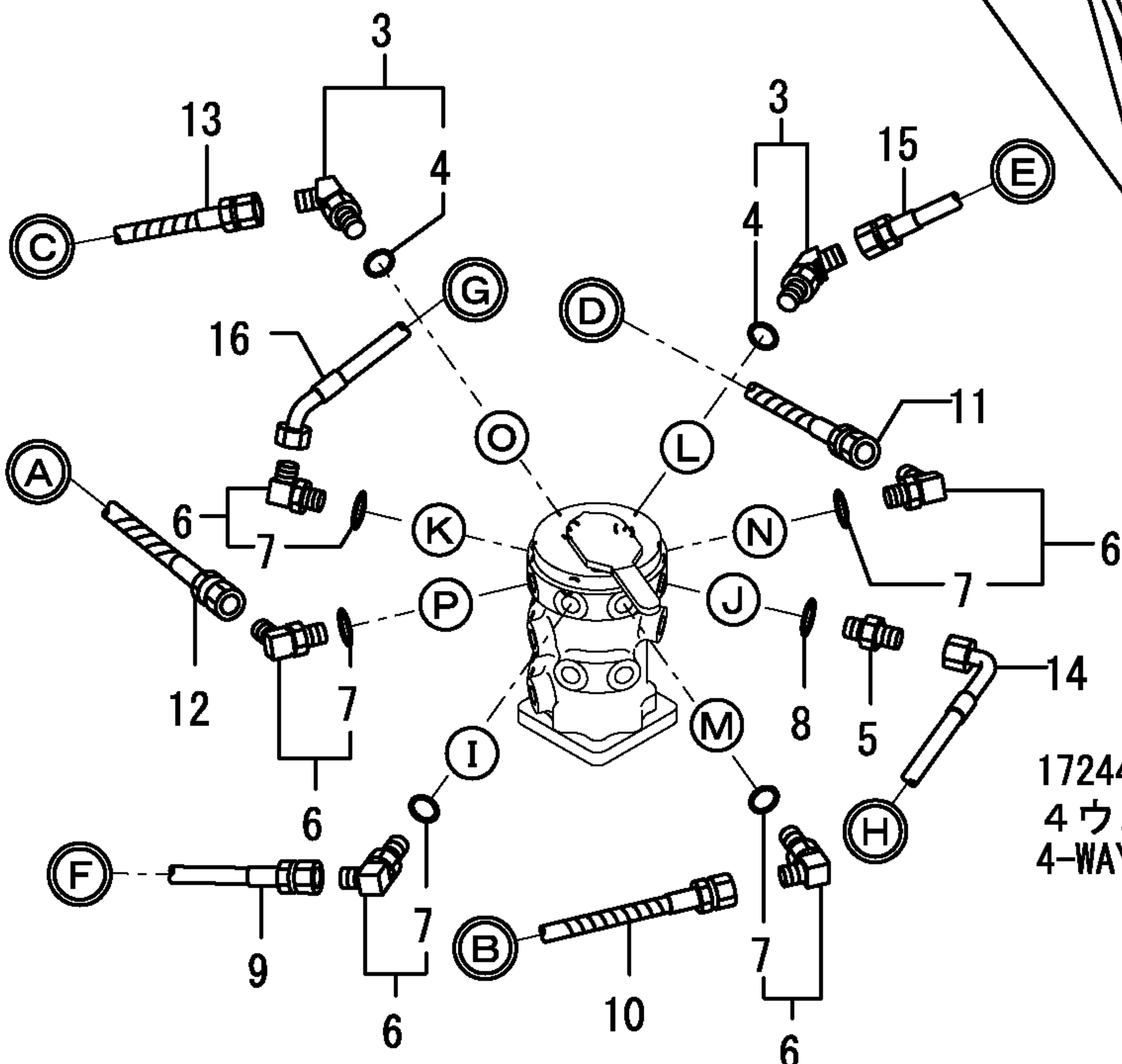
右側  
RIGHT SIDE



リモコンバルブ  
REMOTE CONTROL VAVVE

リモコンバルブ  
REMOTE CONTROL VAVVE

ロータリバルブ  
RORATY VALVE



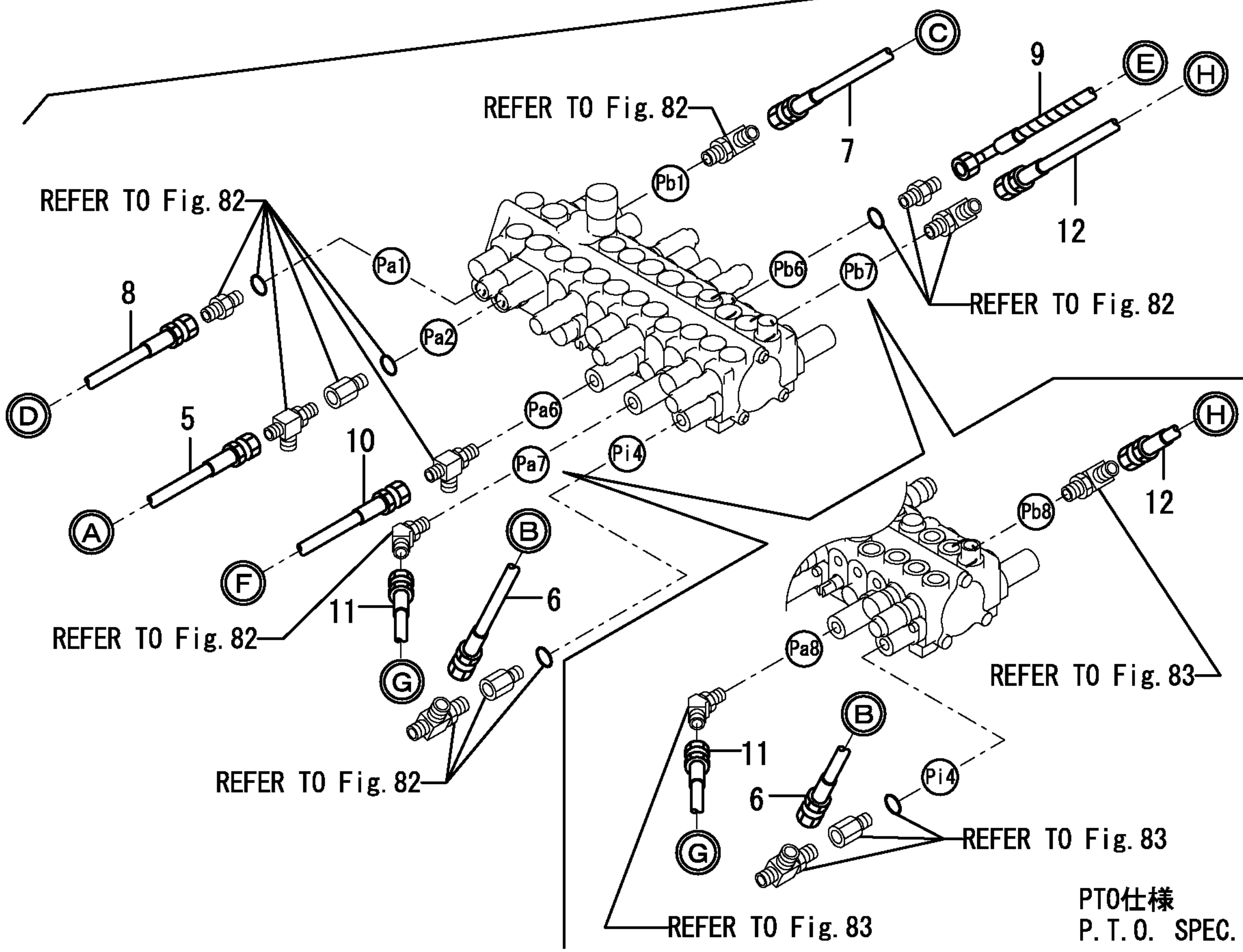
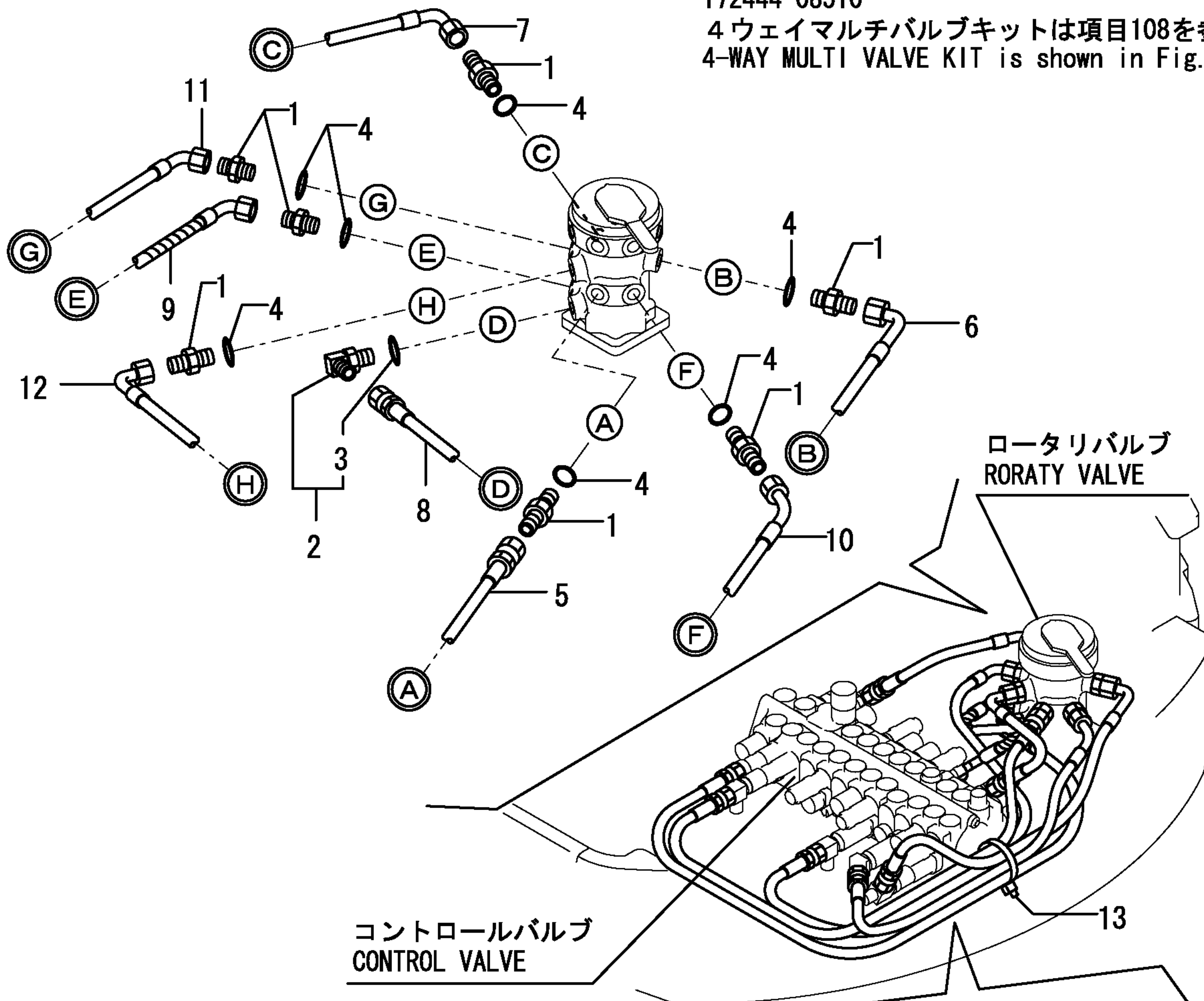
172444-08510

4ウェイマルチバルブキットは、項目108を参照下さい。  
4-WAY MULTI VALVE KIT is shown in Fig. 108.

1,1,,172123-76120,, "CONNECTOR PF1/4",7,7,7,,,,,,,,,,,,,  
2,1,,172141-76180,,CONNECTOR,1,1,1,,,,,,,,,,,,,  
3,2,,24315-000110,, "O-RING 1B P-11.0",1,1,1,,,,,,,,,,,,,  
4,1,,24315-000110,, "O-RING 1B P-11.0",7,7,7,,,,,,,,,,,,,  
5,1,,172444-78720,,HOSE,1,1,1,,,,,,,,,,,,,  
6,1,,172444-78730,,HOSE,1,1,1,,,,,,,,,,,,,  
7,1,,172444-78740,,HOSE,1,1,1,,,,,,,,,,,,,  
8,1,,172444-78750,,HOSE,1,1,1,,,,,,,,,,,,,  
9,1,,172444-78760,,HOSE,1,1,1,,,,,,,,,,,,,  
10,1,,172444-78770,,HOSE,1,1,1,,,,,,,,,,,,,  
11,1,,172444-78780,,HOSE,1,1,1,,,,,,,,,,,,,  
12,1,,172444-78790,,HOSE,1,1,1,,,,,,,,,,,,,  
13,1,,172122-79930,, "CLAMP B",1,1,1,,,,,,,,,,,,,

172444-08510

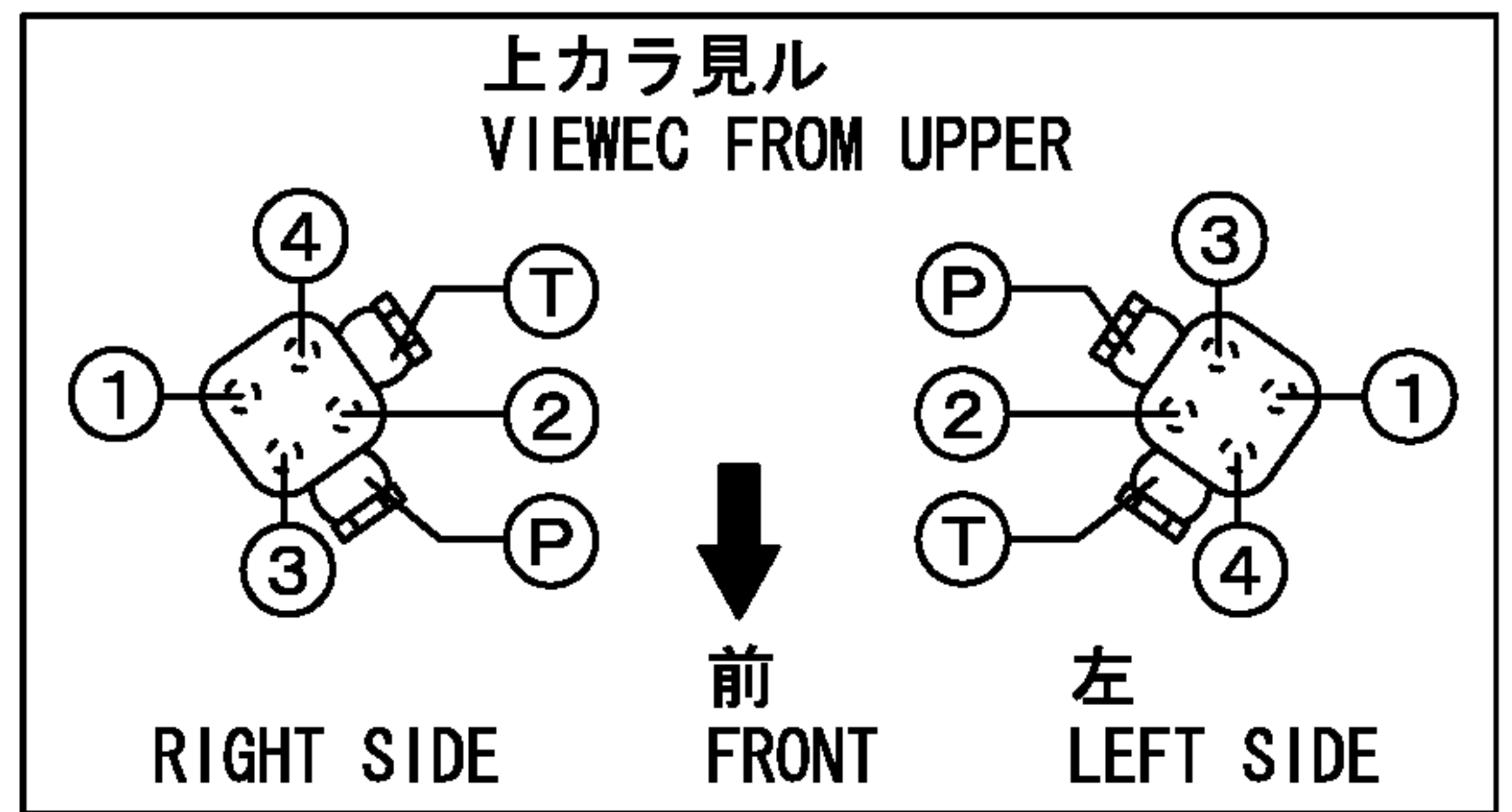
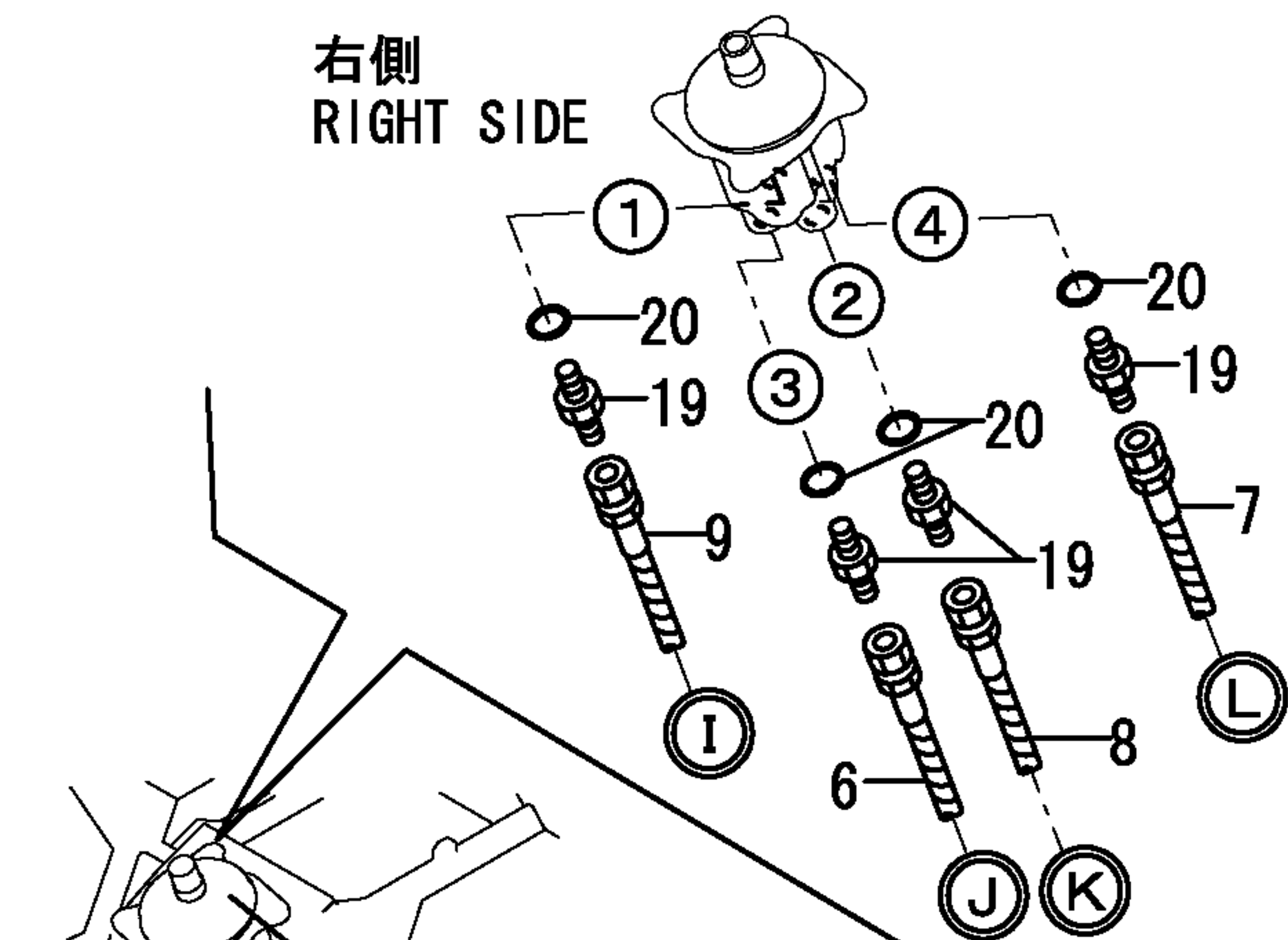
4ウェイマルチバルブキットは項目108を参照下さい。  
4-WAY MULTI VALVE KIT is shown in Fig. 108.



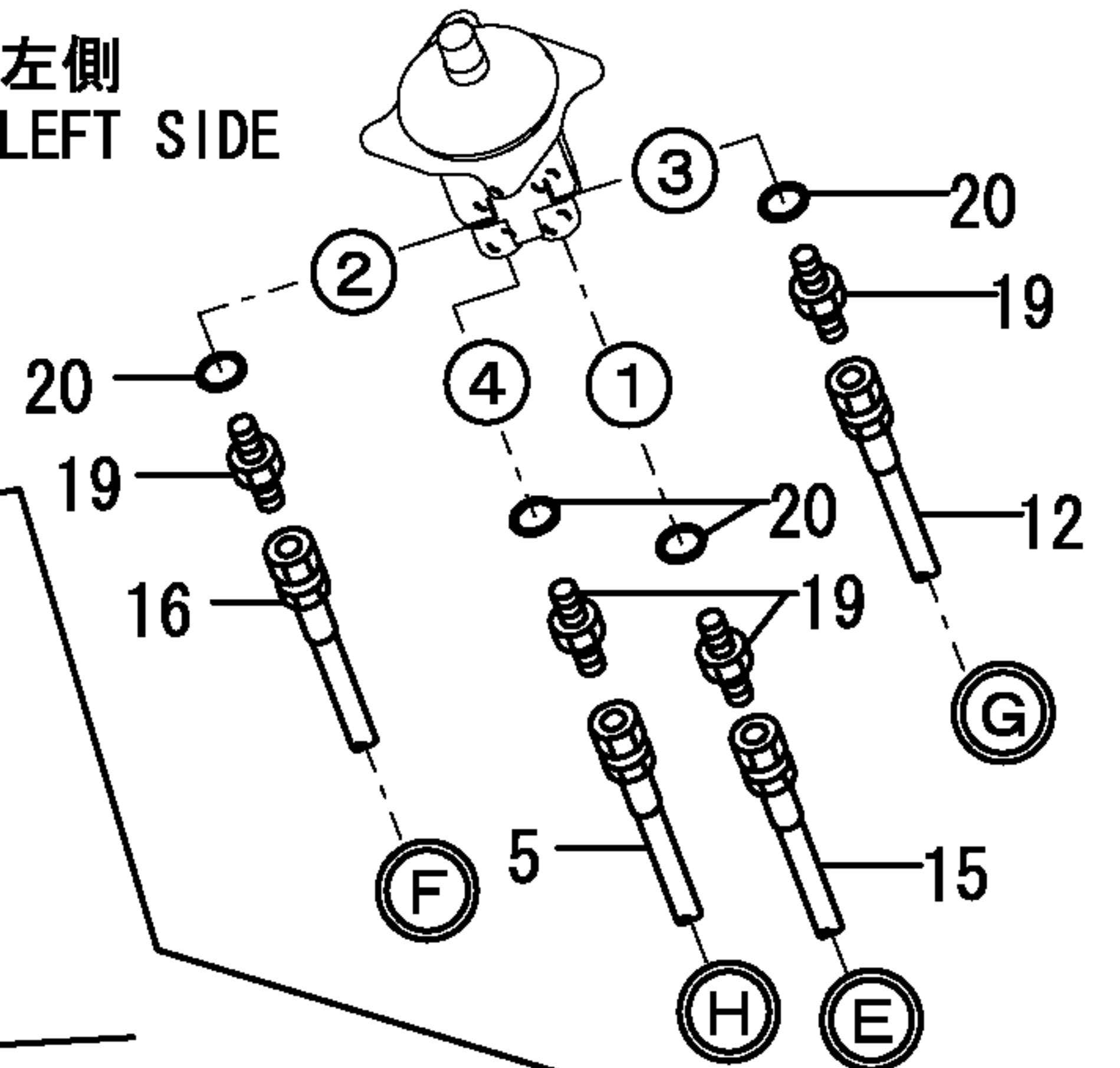
1,1,,23391-020000,, "JOINT RGI1/4",6,6,6,,,,,,,,,,,,,,,,,  
2,2,,24315-000110,, "O-RING 1B P-11.0",6,6,6,,,,,,,,,,,,,,,,,  
3,1,,23394-020000,, "JOINT 45RGI1/4",2,2,2,,,,,,,,,,,,,,,,,  
4,2,,24315-000110,, "O-RING 1B P-11.0",2,2,2,,,,,,,,,,,,,,,,,  
5,1,,172444-79100,, "HOSE F403BB089S",1,1,1,,,,,,,,,,,,,,,,,  
6,1,,172444-79140,, HOSE,1,1,1,,,,,,,,,,,,,,,,,  
7,1,,172444-79150,, HOSE,1,1,1,,,,,,,,,,,,,,,,,  
8,1,,172444-79160,, HOSE,1,1,1,,,,,,,,,,,,,,,,,  
9,1,,172444-79170,, HOSE,1,1,1,,,,,,,,,,,,,,,,,  
10,1,,172444-79200,, "HOSE G604BE050S",1,1,1,,,,,,,,,,,,,,,,,  
11,1,,172444-79210,, "HOSE F403BB084S",1,1,1,,,,,,,,,,,,,,,,,  
12,1,,172444-79210,, "HOSE F403BB084S",1,1,1,,,,,,,,,,,,,,,,,  
13,1,,172444-79220,, "HOSE F403BB071S",1,1,1,,,,,,,,,,,,,,,,,  
14,1,,172444-79230,, "HOSE F403BC027",1,1,1,,,,,,,,,,,,,,,,,  
15,1,,172444-79240,, "HOSE F403BB084S",1,1,1,,,,,,,,,,,,,,,,,  
16,1,,172444-79250,, "HOSE F403BB084S",1,1,1,,,,,,,,,,,,,,,,,  
17,1,,172122-79930,, "CLAMP B",7,7,7,,,,,,,,,,,,,,,,,  
18,1,,172444-78800,, "SPONGE, HOSE",1,1,1,,,,,,,,,,,,,,,,,  
19,1,,172123-76120,, "CONNECTOR PF1/4",8,8,8,,,,,,,,,,,,,,,,,  
20,1,,24315-000110,, "O-RING 1B P-11.0",8,8,8,,,,,,,,,,,,,,,,,



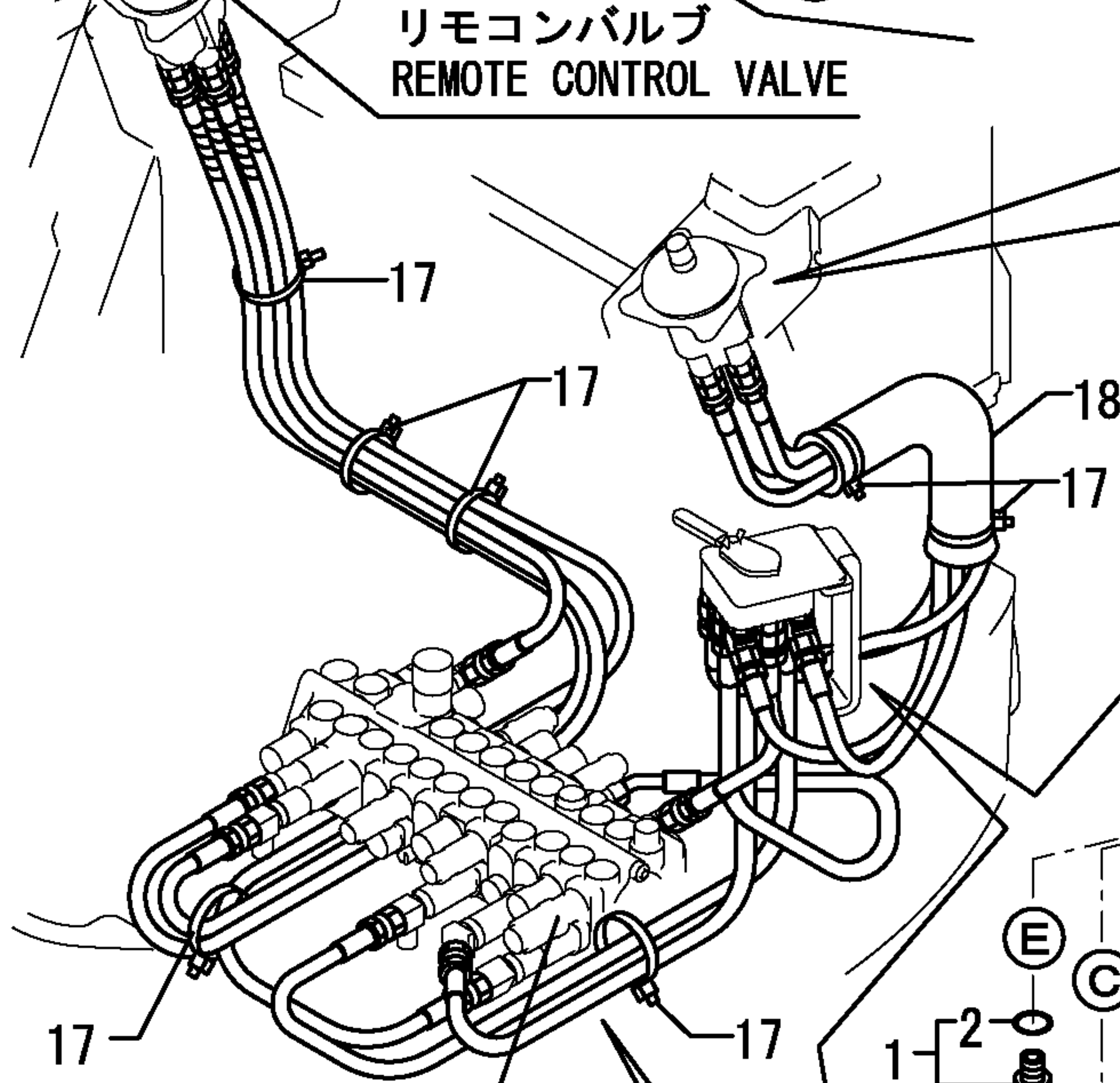
右側  
RIGHT SIDE



左側  
LEFT SIDE



リモコンバルブ  
REMOTE CONTROL VALVE

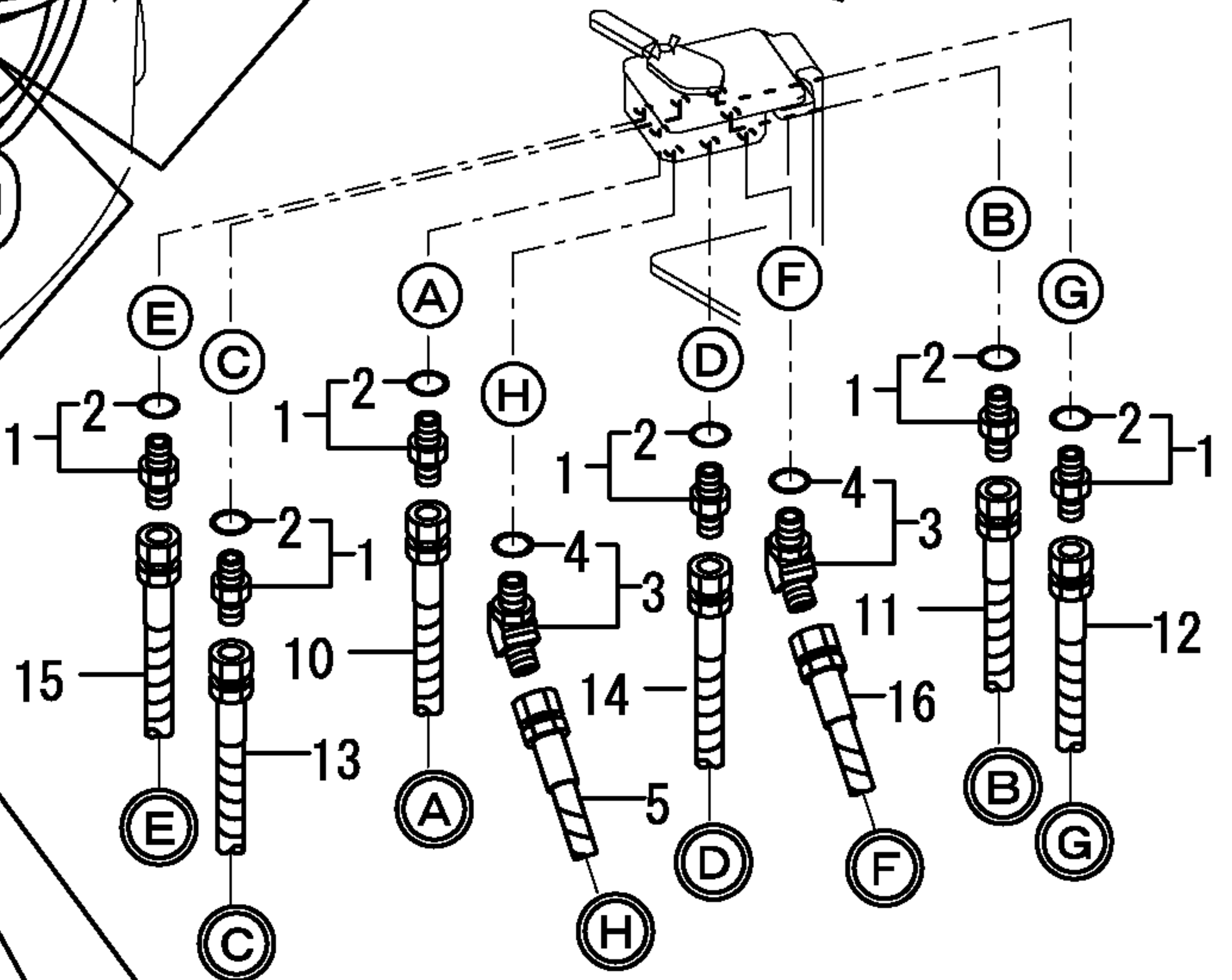


コントロールバルブ  
CONTROL VALVE

172444-08520

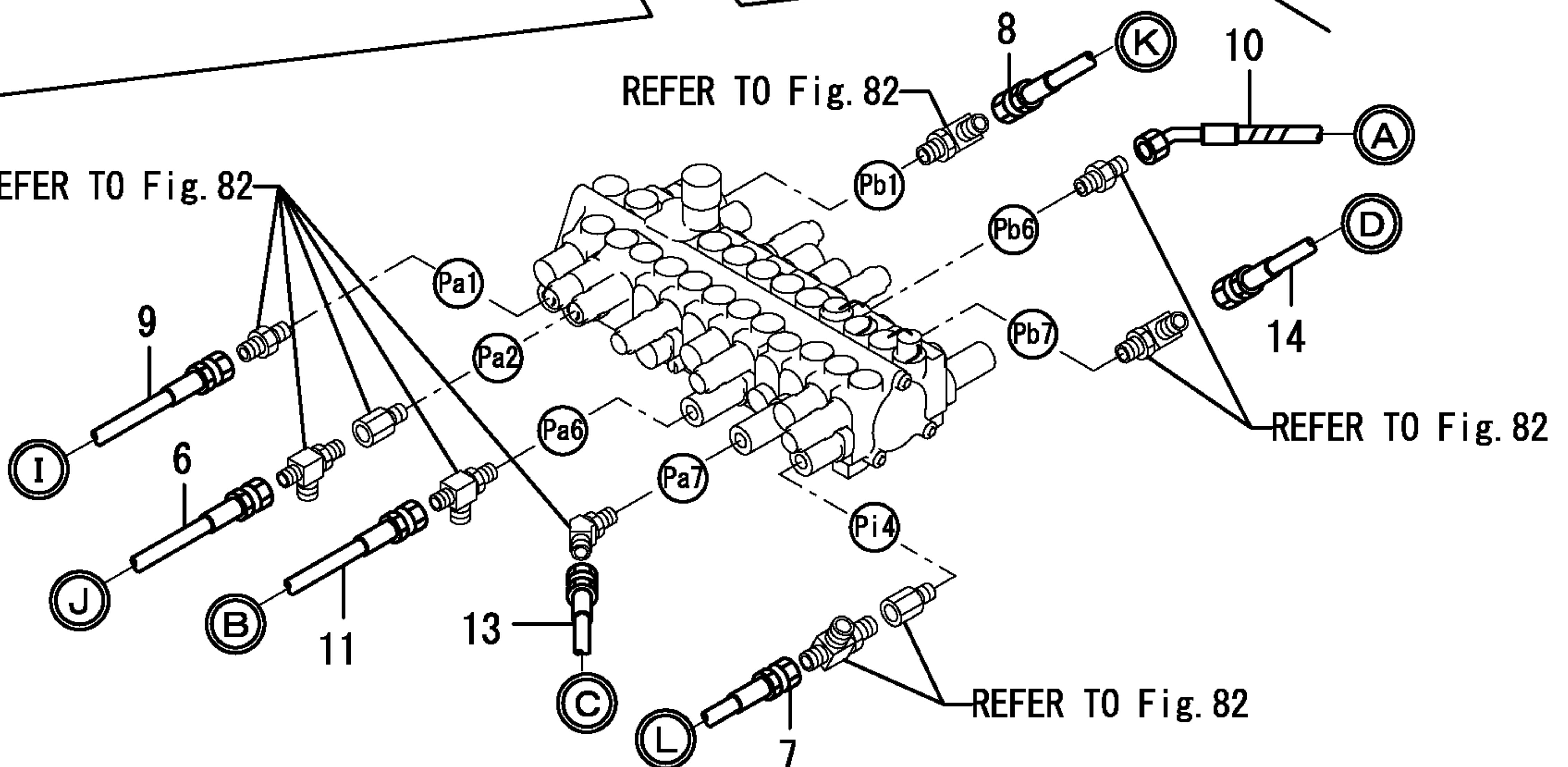
2ウェイマルチバルブキットは、  
項目109を参照下さい。

2-WAY MULTI VALVE KIT  
is shown in Fig. 109.



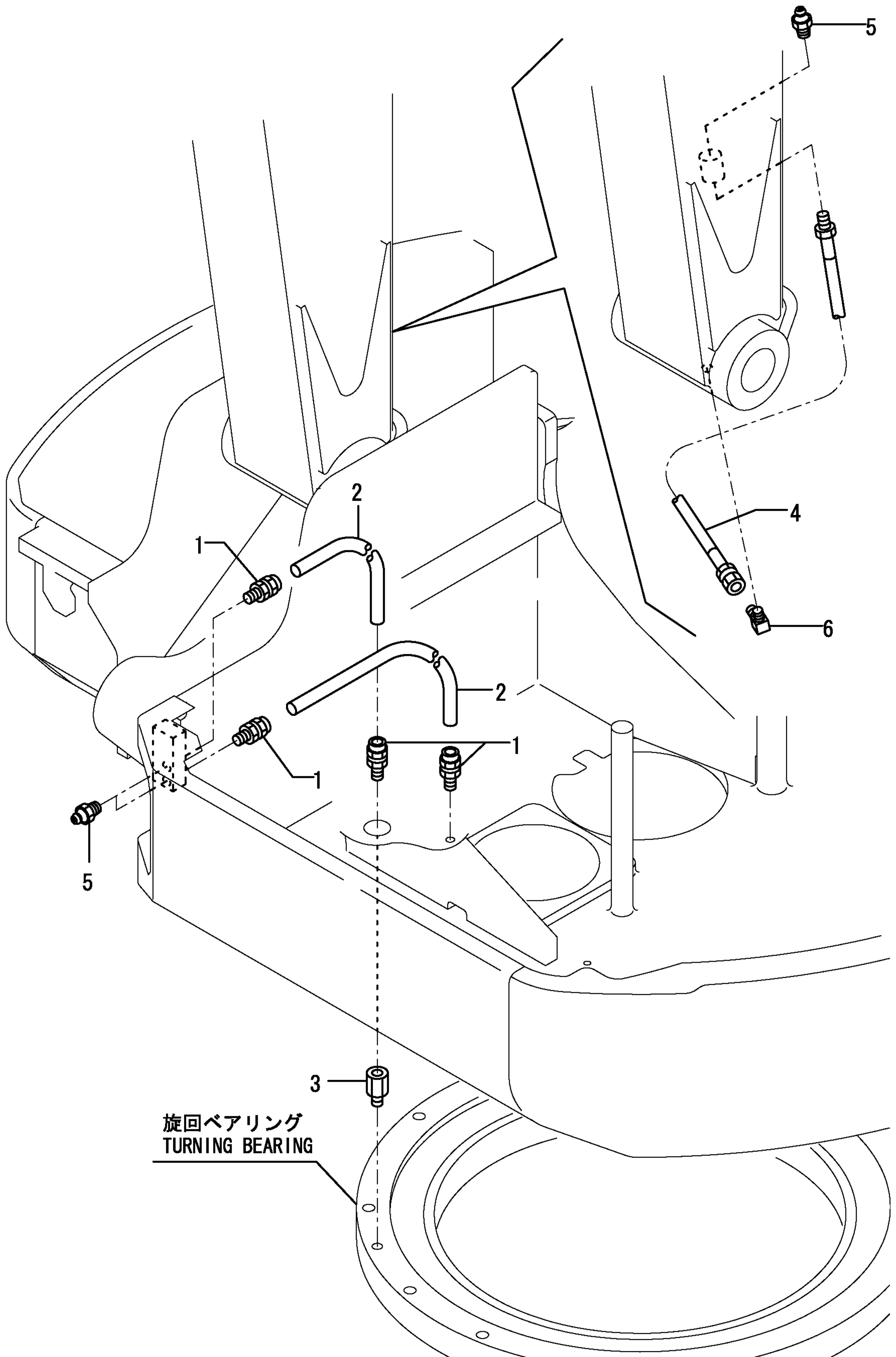
REFER TO Fig. 82

REFER TO Fig. 82

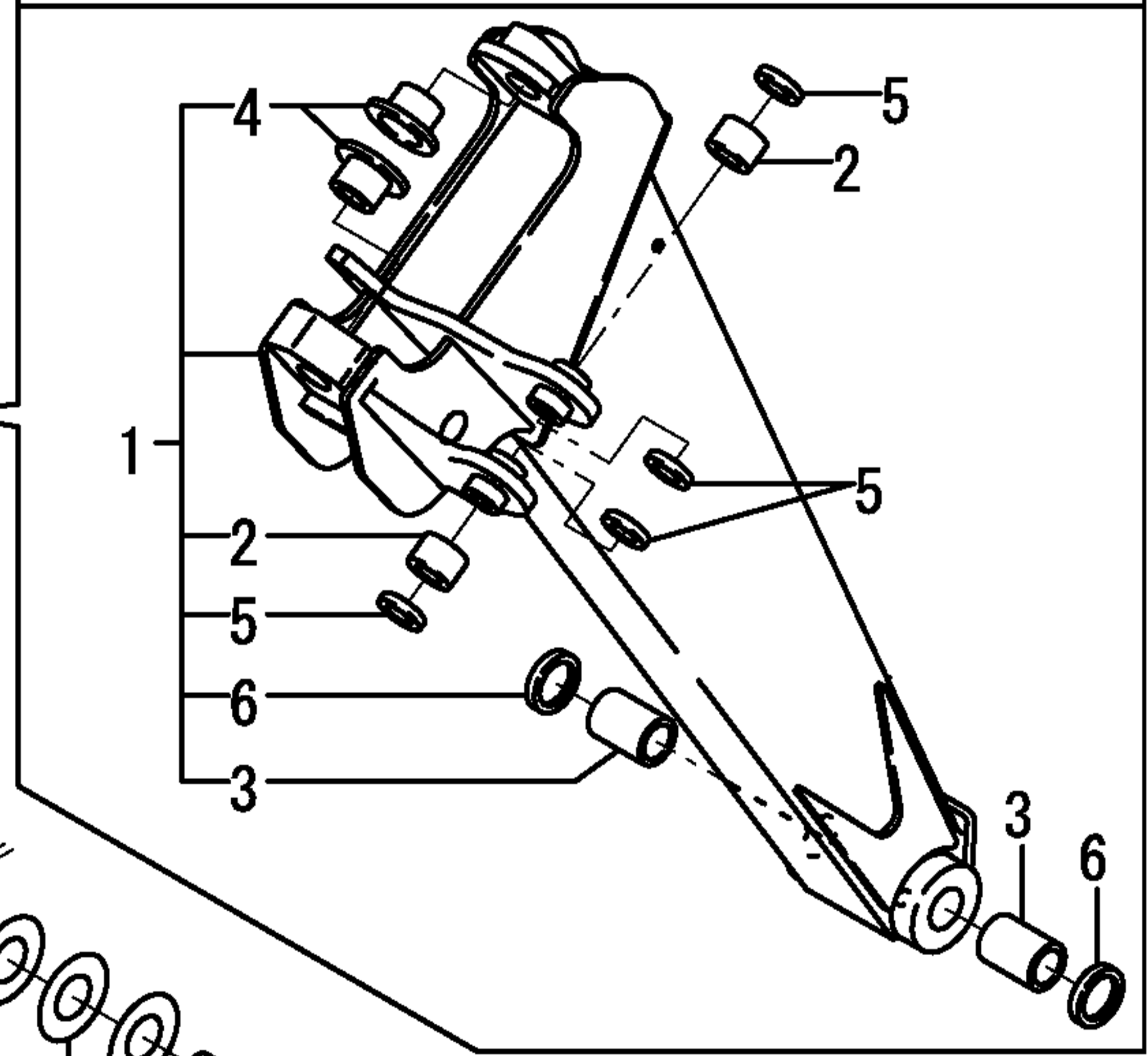
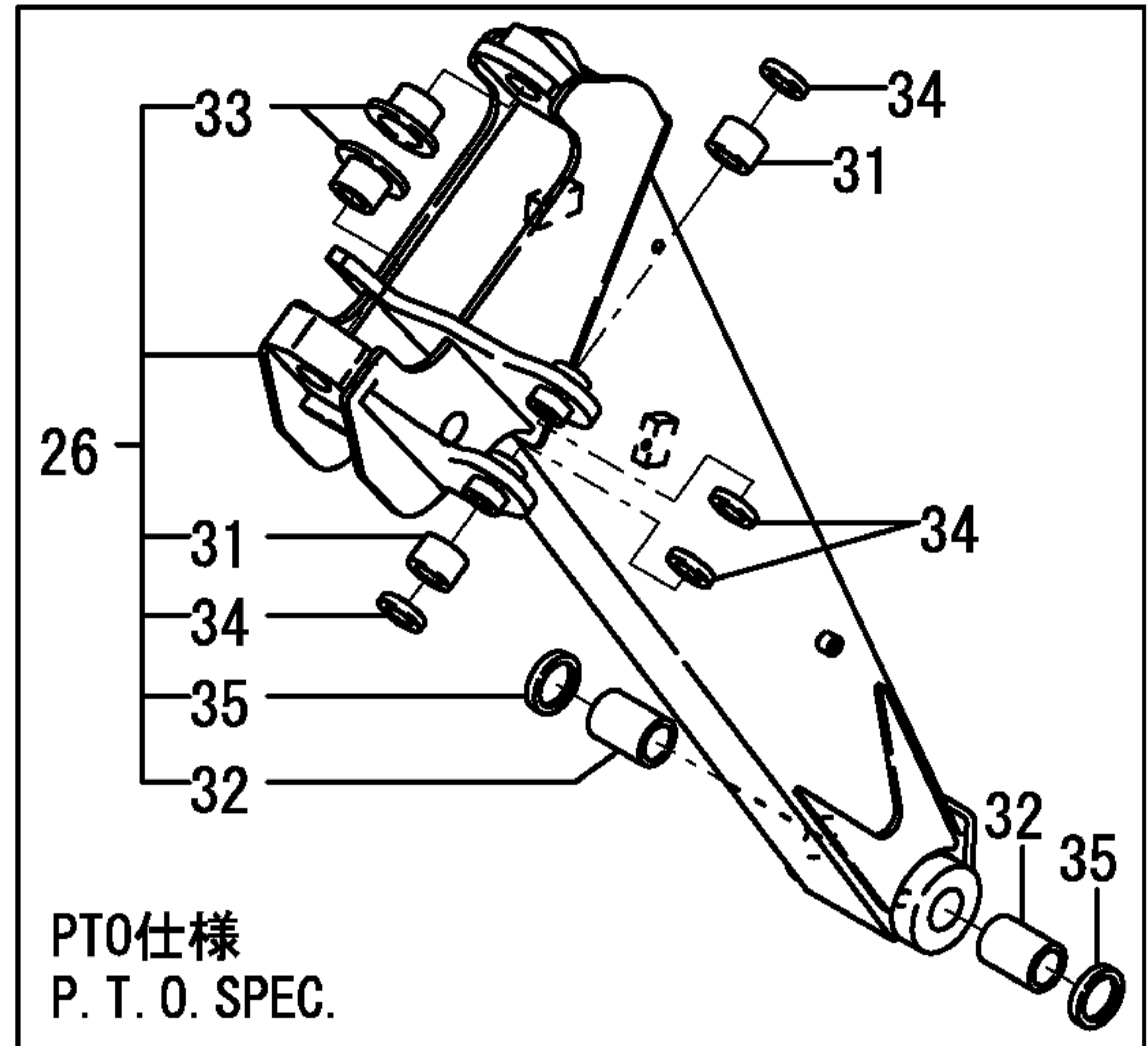
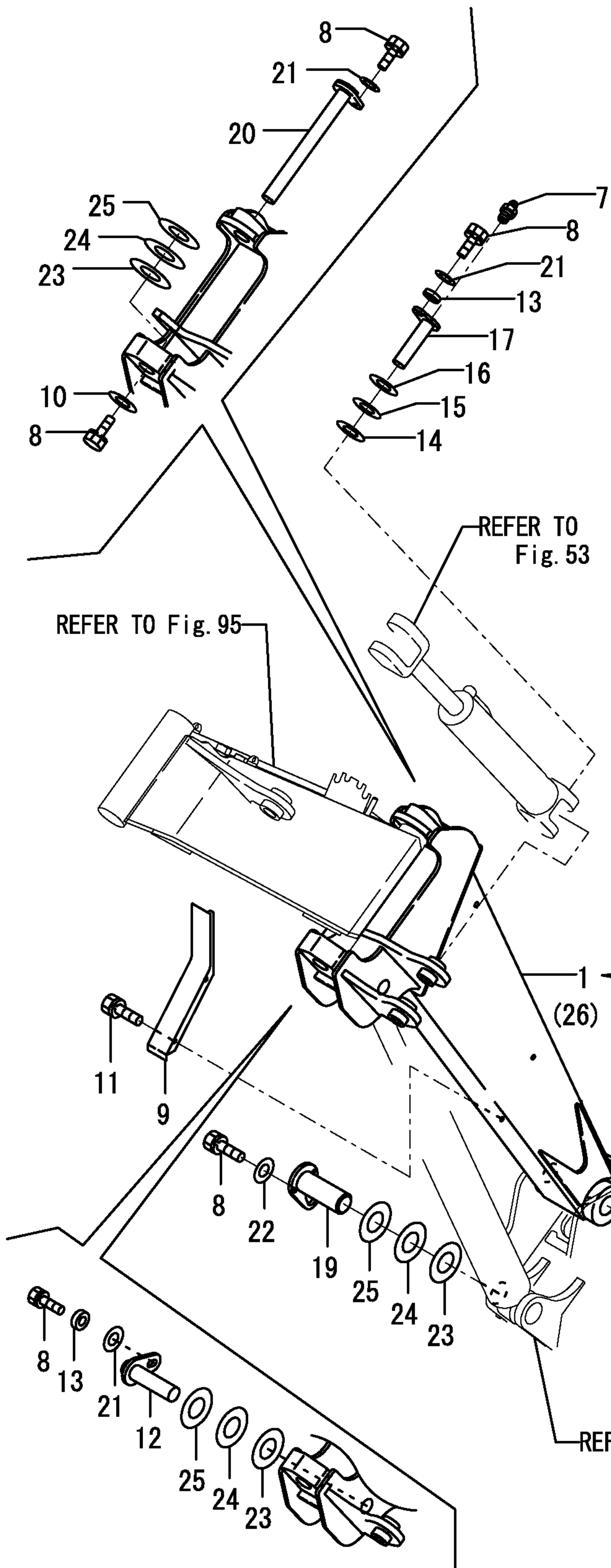




1,1,,172141-77800,, "JOINT, GREASE",4,4,4,,,,,,,,,,,,,  
2,1,,172151-77801,, "HOSE P602YY045",2,2,2,,,,,,,,,,,,,  
3,1,,172312-77820,, "FITTING, GREASE",1,1,1,,,,,,,,,,,,,  
4,1,,172444-78810,, HOSE,1,1,1,,,,,,,,,,,,,  
5,1,,24761-020000,, "NIPPLE PT1/8,GREASE",3,3,3,,,,,,,,,,,,,  
6,1,,172122-77660,, JOINT,1,,,,,,,,,M,,,,,,,,,I  
6-1,1,,172112-77660,, "L-JOINT 1/8",1,1,1,,,,,,,,,,,,,I

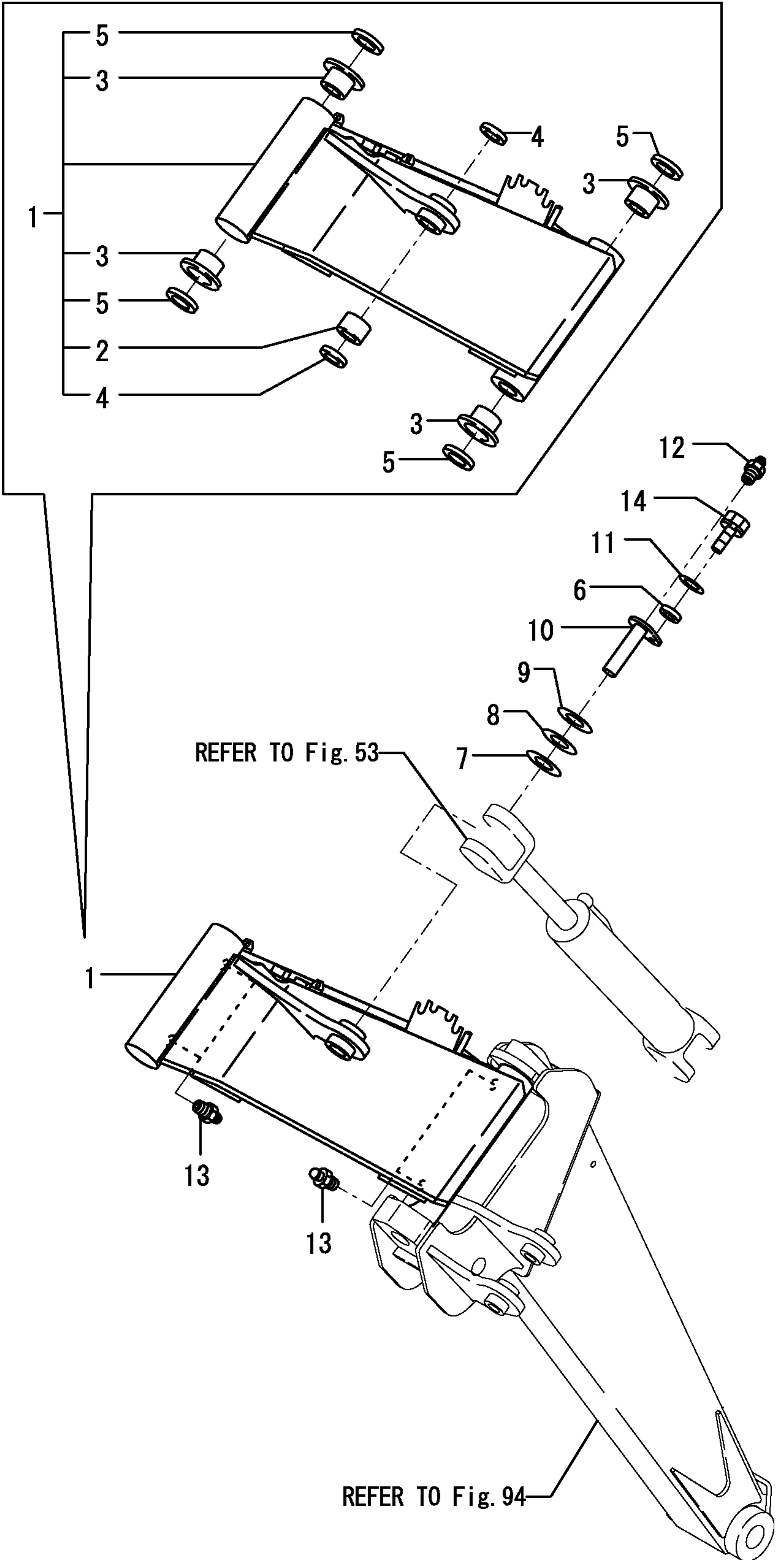


1,1,,172444-81101,, "BOOM A (GREEN:97)",1,1,1,,,,,,,,,,,,,  
2,2,,172168-72410,, "BUSH 40X50X40",2,2,2,,,,,,,,,,,,,  
3,2,,172444-81580,, BUSH,2,2,2,,,,,,,,,,,,,  
4,2,,172444-81590,, BUSH,2,2,2,,,,,,,,,,,,,  
5,2,,172165-81750,, "SEAL 40X50X5, DUST",4,4,4,,,,,,,,,,,,,  
6,2,,172165-81760,, "SEAL 50X60X4, DUST",2,2,2,,,,,,,,,,,,,  
7,1,,24761-020000,, "NIPPLE PT1/8,GREASE",1,1,1,,,,,,,,,,,,,  
8,1,,26013-120252,, "BOLT M12X 25",6,6,6,,,,,,,,,,,,,  
9,1,,172444-81970,, "SIDE GUDE",1,1,1,,,,,,,,,,,,,  
10,1,,172147-82140,, WASHER,1,1,1,,,,,,,,,,,,,  
11,1,,26013-100162,, "BOLT M10X 16",2,2,2,,,,,,,,,,,,,  
12,1,,172176-81620,, "PIN 50-155",1,1,1,,,,,,,,,,,,,  
13,1,,172164-81670,, SPACER,2,2,2,,,,,,,,,,,,,  
14,1,,172165-82580,, "SHIM 40X75X0.5",1,1,1,,,,,,,,,,,,,  
15,1,,172165-82590,, "SHIM 40X75X1.2",1,1,1,,,,,,,,,,,,,  
16,1,,172165-82600,, "SHIM 40X75X1.6",1,1,1,,,,,,,,,,,,,  
17,1,,172444-82750,, "PIN 40X100B CMP (97)",1,1,1,,,,,,,,,,,,,  
18,1,,172444-82800,, "PIN 50X284 CMP (97)",1,1,1,,,,,,,,,,,,,  
19,1,,172444-82830,, "PIN 50X128 CMP (97)",1,1,1,,,,,,,,,,,,,  
20,1,,172444-82850,, "PIN 50X430 CMP (97)",1,1,1,,,,,,,,,,,,,  
21,1,,22157-120000,, "WASHER 12",3,3,3,,,,,,,,,,,,,  
22,1,,172444-82990,, WASHER,2,2,2,,,,,,,,,,,,,  
23,1,,172162-83540,, "SHIM 50X110X0.5",4,4,4,,,,,,,,,,,,,  
24,1,,172444-81390,, "SHIM 50X110X0.8",4,4,4,,,,,,,,,,,,,  
25,1,,172162-83550,, "SHIM 50X110X1.2",4,4,4,,,,,,,,,,,,,  
26,1,,172444-81040,, "BOOM A(P.T.O.) (97)",1,1,1,,,,,,,,,1,,,,,,,,,  
31,3,,172168-72410,, "BUSH 40X50X40",2,2,2,,,,,,,,,1,,,,,,,,,  
32,3,,172444-81580,, BUSH,2,2,2,,,,,,,,,1,,,,,,,,,  
32-1,3,,172444-81581,, "BUSH 50X75",,2,,,,,N,,,,,72444408,M/#36858,,,,,  
33,3,,172444-81590,, BUSH,2,2,2,,,,,,,,,1,,,,,,,,,  
34,3,,172165-81750,, "SEAL 40X50X5, DUST",4,4,4,,,,,,,,,1,,,,,,,,,  
34-1,3,,172448-72650,, "SEAL 40X50X4,DUST",,2,,,,,R,,,,,72449038,M/#36637,,,,,  
35,3,,172165-81760,, "SEAL 50X60X4, DUST",2,2,2,,,,,,,,,1,,,,,,,,,  
35-1,3,,172448-54120,, "SEAL 50X60X4,DUST",,2,,,,,R,,,,,72449038,M/#36637,,,,,



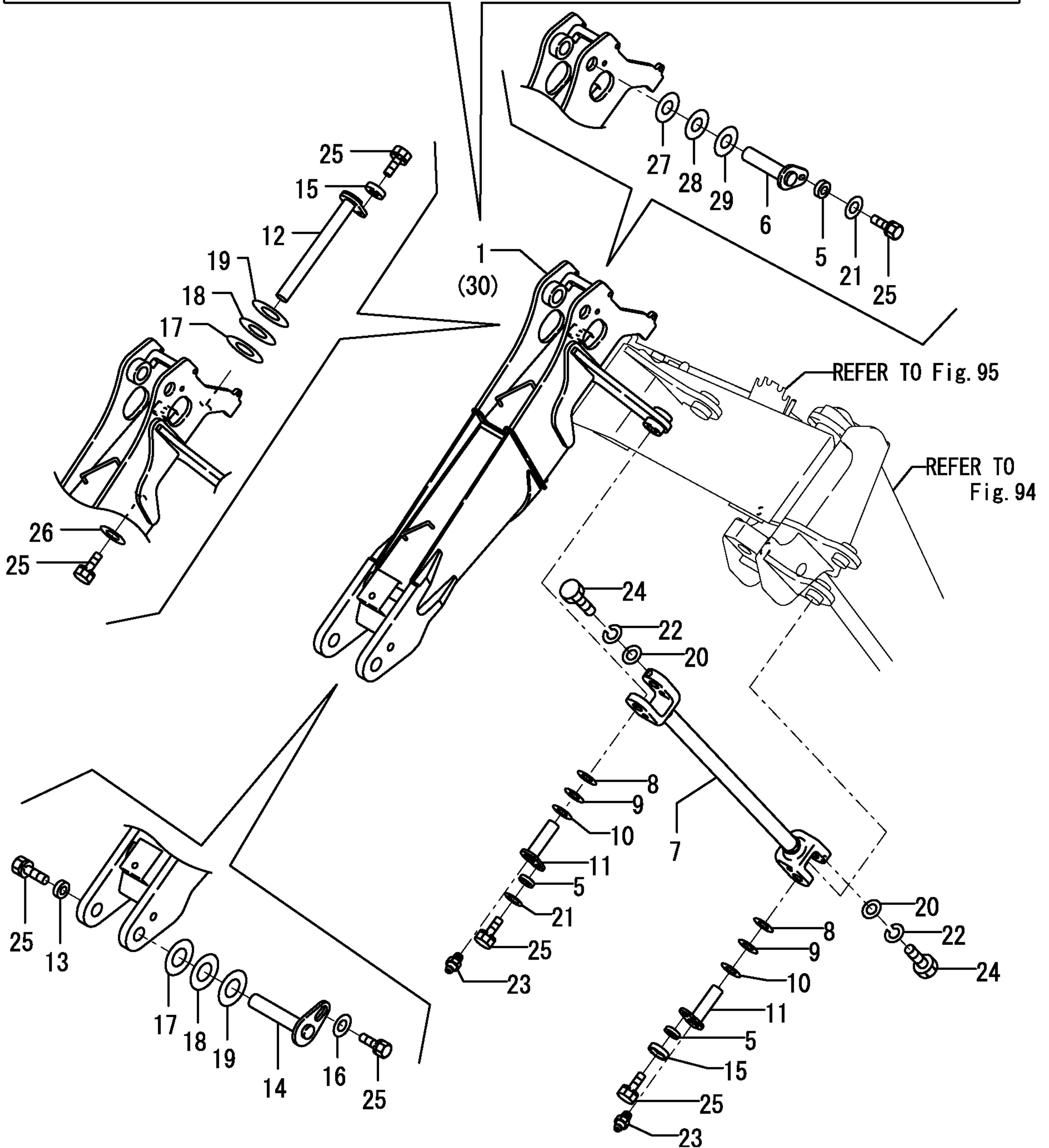
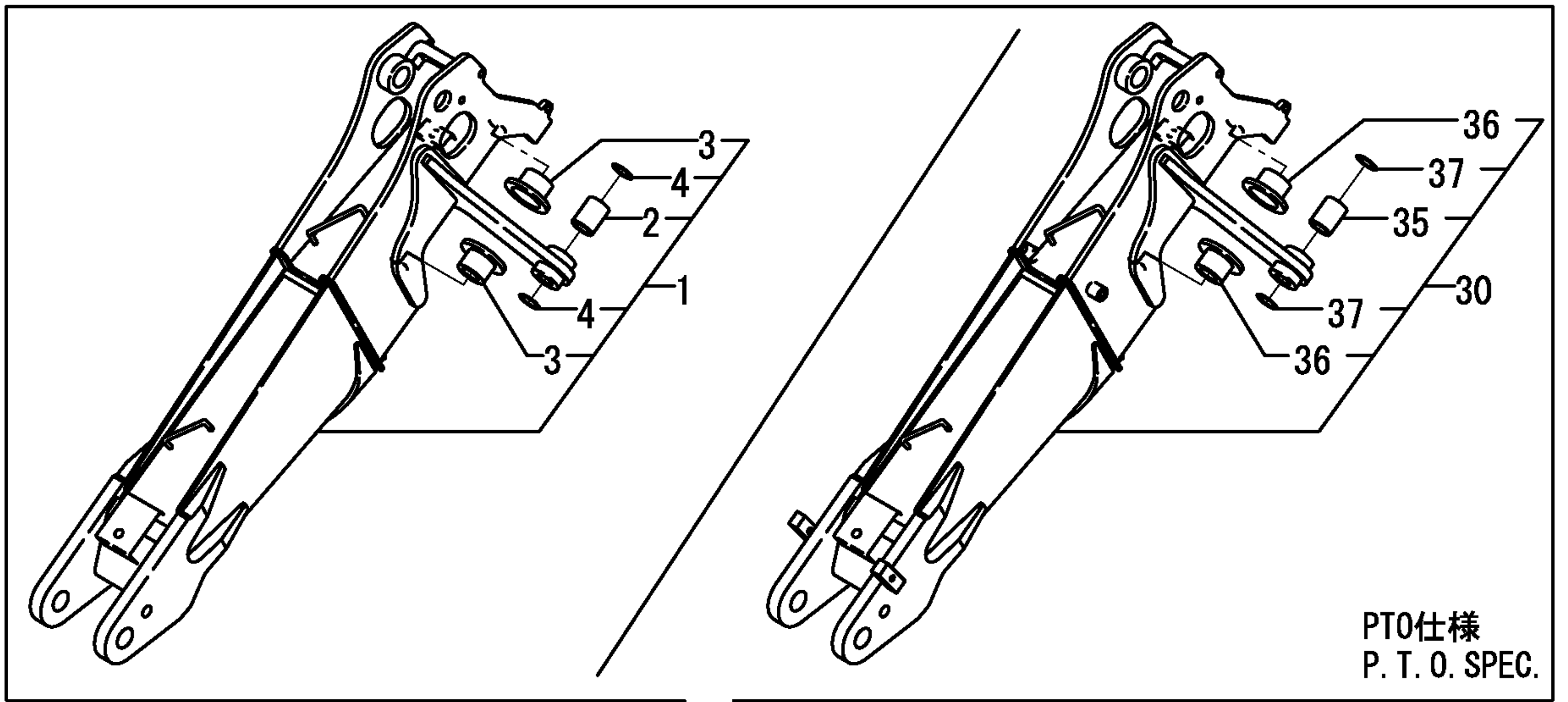
REFER TO Fig. 30

1,1,,172444-81400,, "BOOM B CMP (97)",1,1,1,,,,,,,,,,,,,I  
2,2,,172168-72410,, "BUSH 40X50X40",1,1,1,,,,,,,,,,,,,I  
3,2,,172444-81560,, BUSH,4,4,4,,,,,,,,,,,,,I  
4,2,,172165-81750,, "SEAL 40X50X5, DUST",2,2,,,,,,,,,,,,,I  
4-1,2,,172448-72650,, "SEAL  
40X50X4,DUST",,2,2,,,,,R,,,,,72449038,M/#36637,,,,,,,,,I  
5,2,,172165-81760,, "SEAL 50X60X4, DUST",4,4,,,,,,,,,,,,,I  
5-1,2,,172448-54120,, "SEAL  
50X60X4,DUST",,4,4,,,,,R,,,,,72449038,M/#36637,,,,,,,,,I  
6,1,,172164-81670,, SPACER,1,1,1,,,,,,,,,,,,,I  
7,1,,172165-82580,, "SHIM 40X75X0.5",1,1,1,,,,,,,,,,,,,I  
8,1,,172165-82590,, "SHIM 40X75X1.2",1,1,1,,,,,,,,,,,,,I  
9,1,,172165-82600,, "SHIM 40X75X1.6",1,1,1,,,,,,,,,,,,,I  
10,1,,172444-82940,, "PIN 40X100A CMP (97)",1,1,1,,,,,,,,,,,,,I  
11,1,,22157-120000,, "WASHER 12",1,1,1,,,,,,,,,,,,,I  
12,1,,24761-020000,, "NIPPLE PT1/8,GREASE",1,1,1,,,,,,,,,,,,,I  
13,1,,24761-040000,, "NIPPLE B,GREASE",4,4,4,,,,,,,,,,,,,I  
14,1,,26013-120252,, "BOLT M12X 25",1,1,1,,,,,,,,,,,,,I





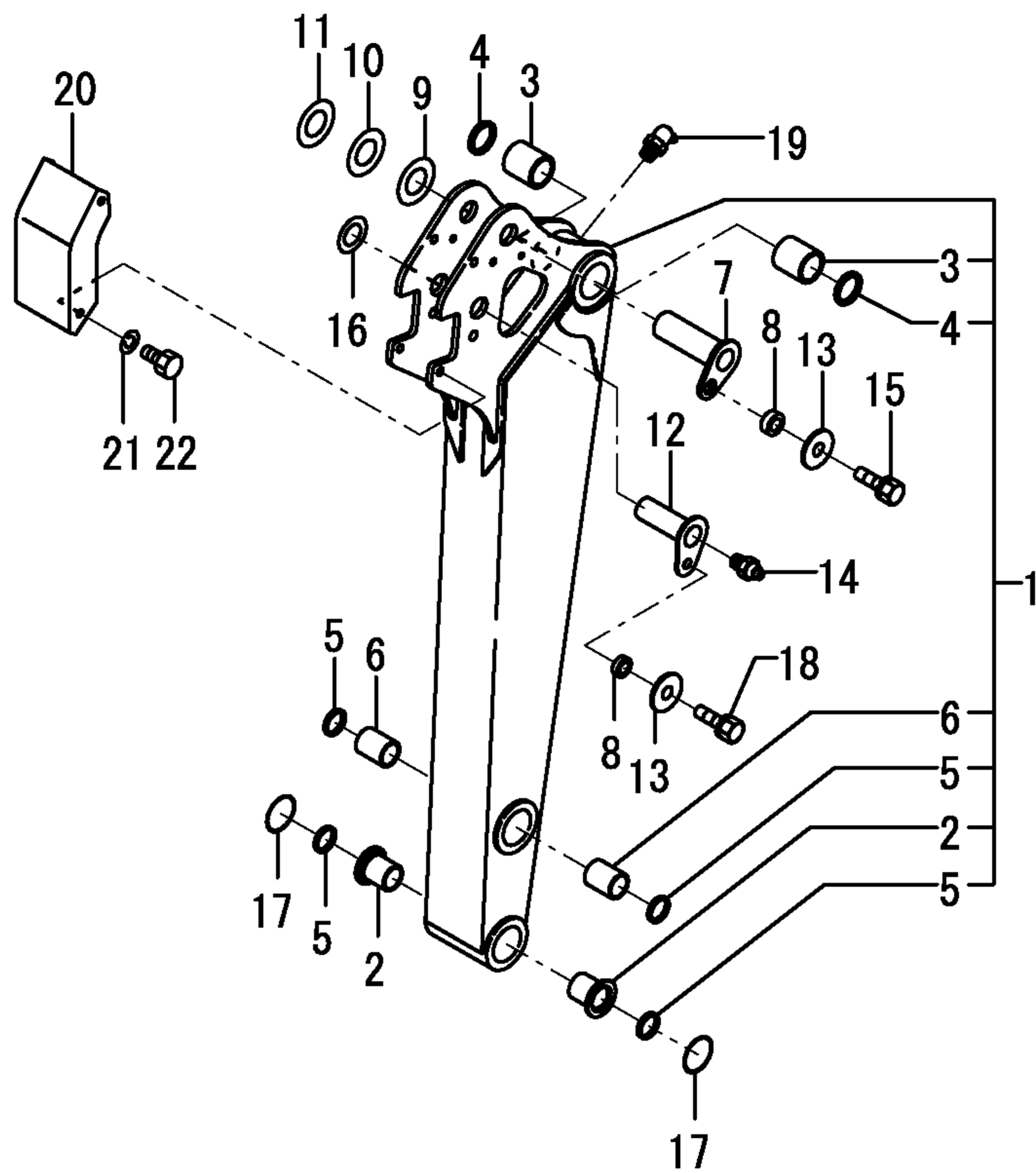
1,1,,172444-81600,,BOOM,1,1,1,,,,,,,,,,,,,  
2,2,,172168-72410,,,"BUSH 40X50X40",1,1,1,,,,,,,,,,,,,  
3,2,,172444-81590,,BUSH,2,2,2,,,,,,,,,,,,,  
4,2,,172165-81750,,,"SEAL 40X50X5, DUST",2,2,,,,,,,,,,,,,  
4-1,2,,172448-72650,,,"SEAL  
40X50X4,DUST",,2,2,,,,,R,,,,,72449038,M/#36637,,,,,,,,,I  
5,1,,172164-81670,,SPACER,3,3,3,,,,,,,,,,,,,  
6,1,,172187-81880-4,,,"PIN 50X144(GREEN:97)",1,1,1,,,,,,,,,,,,,  
7,1,,172444-82500,,,"ROD,OFFSET(GREEN:97)",1,1,1,,,,,,,,,,,,,  
8,1,,172165-82580,,,"SHIM 40X75X0.5",2,2,2,,,,,,,,,,,,,  
9,1,,172165-82590,,,"SHIM 40X75X1.2",2,2,2,,,,,,,,,,,,,  
10,1,,172165-82600,,,"SHIM 40X75X1.6",2,2,2,,,,,,,,,,,,,  
11,1,,172444-82770,,,"PIN 40X100 C (97)",2,2,2,,,,,,,,,,,,,  
12,1,,172444-82880,,,"PIN 50X373(GREEN:97)",1,1,1,,,,,,,,,,,,,  
13,1,,172146-82910,,SPACER,1,1,1,,,,,,,,,,,,,  
14,1,,172444-82910,,,"PIN 50X183(GREEN:97)",1,1,1,,,,,,,,,,,,,  
15,1,,172444-82980,,WASHER,2,2,2,,,,,,,,,,,,,  
16,1,,172444-82990,,WASHER,1,1,1,,,,,,,,,,,,,  
17,1,,172162-83540,,,"SHIM 50X110X0.5",2,2,2,,,,,,,,,,,,,  
18,1,,172444-81390,,,"SHIM 50X110X0.8",2,2,2,,,,,,,,,,,,,  
19,1,,172162-83550,,,"SHIM 50X110X1.2",2,2,2,,,,,,,,,,,,,  
20,1,,22137-100000,,,"WASHER 10,POLISHED",2,2,2,,,,,,,,,,,,,  
21,1,,22157-120000,,,"WASHER 12",2,2,2,,,,,,,,,,,,,  
22,1,,22217-100000,,,"SPRING WASHER 10",2,2,2,,,,,,,,,,,,,  
23,1,,24761-020000,,,"NIPPLE PT1/8,GREASE",2,2,2,,,,,,,,,,,,,  
24,1,,26116-100604,,,"BOLT M10X 60 PLATED",2,2,2,,,,,,,,,,,,,  
25,1,,26013-120252,,,"BOLT M12X 25",7,7,7,,,,,,,,,,,,,  
26,1,,172147-82140,,WASHER,1,1,1,,,,,,,,,,,,,  
27,1,,172165-82520,,,"SHIM 50X85X0.5",1,1,1,,,,,,,,,,,,,  
28,1,,172165-82530,,,"SHIM 50X85X1.2",1,1,1,,,,,,,,,,,,,  
29,1,,172165-82540,,,"SHIM 50X85X1.6",1,1,1,,,,,,,,,,,,,  
30,1,,172444-81050,,,"BOOM C(P.T.O.) (97)",1,1,,,,,,,,,,,,,  
35,3,,172168-72410,,,"BUSH 40X50X40",1,1,,,,,,,,,,,,,  
36,3,,172444-81590,,BUSH,2,2,,,,,,,,,,,,,  
37,3,,172165-81750,,,"SEAL 40X50X5, DUST",2,2,,,,,,,,,,,,,  
37-1,3,,172448-72650,,,"SEAL  
40X50X4,DUST",,2,,,,,R,,,,,72449038,M/#36637,,,,,,,,,I



1,1,,172444-81200,, "ARM CMP 1220 (97)",1,,,,,,,,,,,,,  
2,2,,172168-81260,, "BUSH 38X55",2,,,,,,,,,,,,,  
3,2,,172444-81310,, BUSH,2,,,,,,,,,,,,,  
4,2,,172165-81760,, "SEAL 50X60X4, DUST",2,,,,,,,,,,,,,  
5,2,,172122-82290,, "SEAL, DUST",4,,,,,,,,,,,,,  
6,2,,172116-82400,, "PIN BUSH 38X55",2,,,,,,,,,,,,,  
7,1,,172176-81520,, "PIN 50-122",1,1,1,,,,,,,,,,,,,  
8,1,,172164-81670,, SPACER,2,2,2,,,,,,,,,,,,,  
9,1,,172165-82520,, "SHIM 50X85X0.5",1,1,1,,,,,,,,,,,,,  
10,1,,172165-82530,, "SHIM 50X85X1.2",1,1,1,,,,,,,,,,,,,  
11,1,,172165-82540,, "SHIM 50X85X1.6",1,1,1,,,,,,,,,,,,,  
12,1,,172444-82960,, PIN,1,1,1,,,,,,,,,,,,,  
13,1,,22157-120000,, "WASHER 12",2,2,2,,,,,,,,,,,,,  
14,1,,24761-020000,, "NIPPLE PT1/8,GREASE",1,1,1,,,,,,,,,,,,,  
15,1,,26013-120252,, "BOLT M12X 25",1,1,1,,,,,,,,,,,,,  
16,1,,933171-29751,, "SHIM SET,38X(0.8,1.2)",1,1,1,,,,,,,,,,,,,  
17,1,,172142-81620,, O-RING,2,2,2,,,,,,,,,,,,,  
18,1,,26013-120202,, "BOLT W/WASHER M12X20",1,1,1,,,,,,,,,,,,,  
19,1,,24761-040000,, "NIPPLE B,GREASE",1,1,1,,,,,,,,,,,,,  
20,1,,172444-61900,, "COVER,ARM (GREEN:97)",1,1,1,,,,,,,,,,,,,  
21,2,,172444-81310,, BUSH,2,2,2,,,,,,,,,,,,,  
22,1,,26116-100162,, "BOLT M10X 16 PLATED",4,4,4,,,,,,,,,,,,,  
23,1,,172444-81201,, "ARM ASSY",,1,1,,,,,,,,,,,,,I  
24,2,,172448-54120,, "SEAL 50X60X4,DUST",,2,2,,,,,,,,,,,,,I  
25,2,,172168-81270,, "SEAL,DUST 38X50X4",,4,4,,,,,,,,,,,,,I  
26,2,,172444-81310,, BUSH,,2,2,,,,,,,,,,,,,I  
27,2,,172458-81630,, "BUSH 38-55",,2,2,,,,,,,,,,,,,I  
28,2,,172458-81630,, "BUSH 38-55",,2,2,,,,,,,,,,,,,I

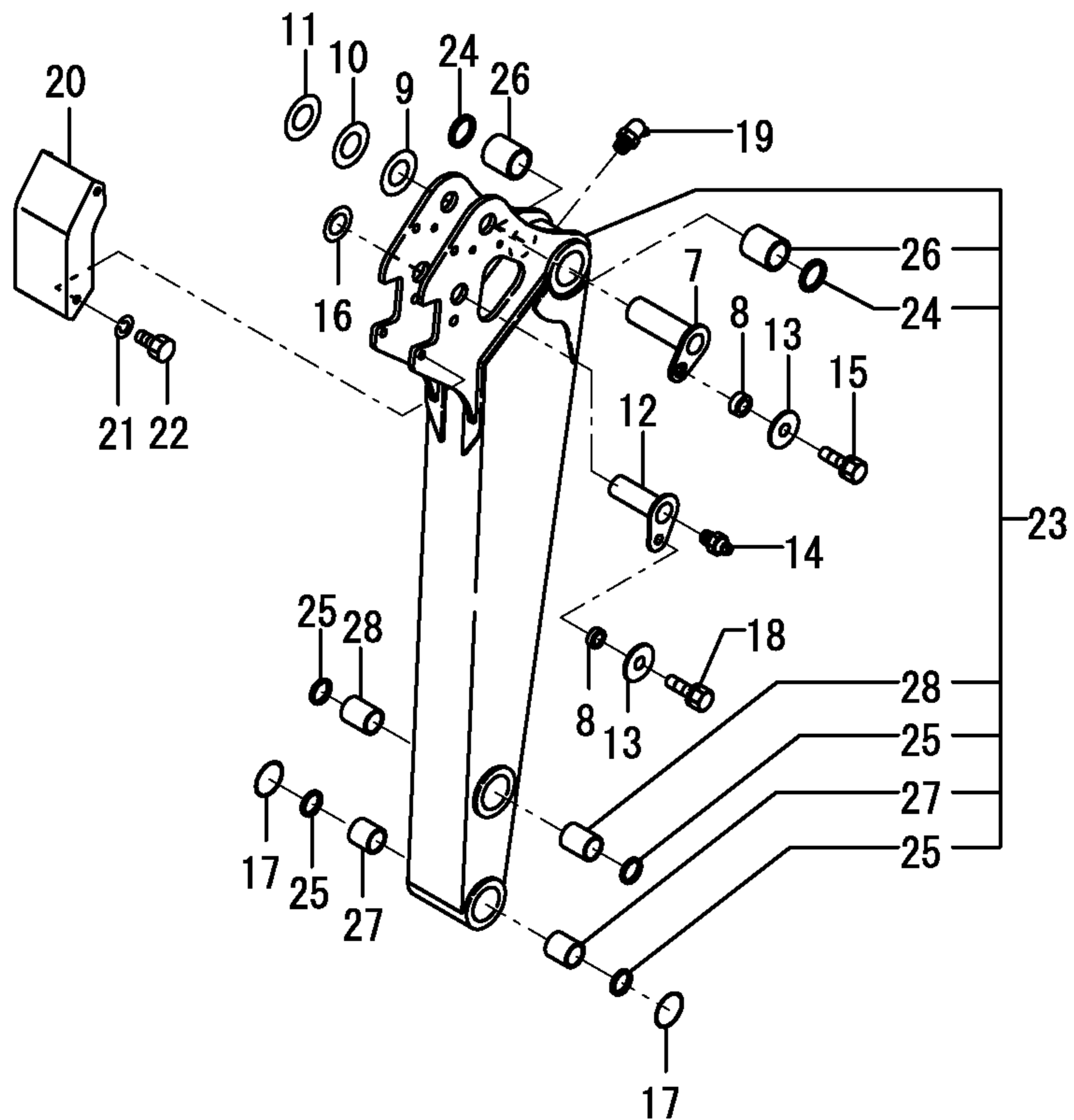
旧形 ~M/#35101

PREVIOUS



新形 M/#36001~

NEW



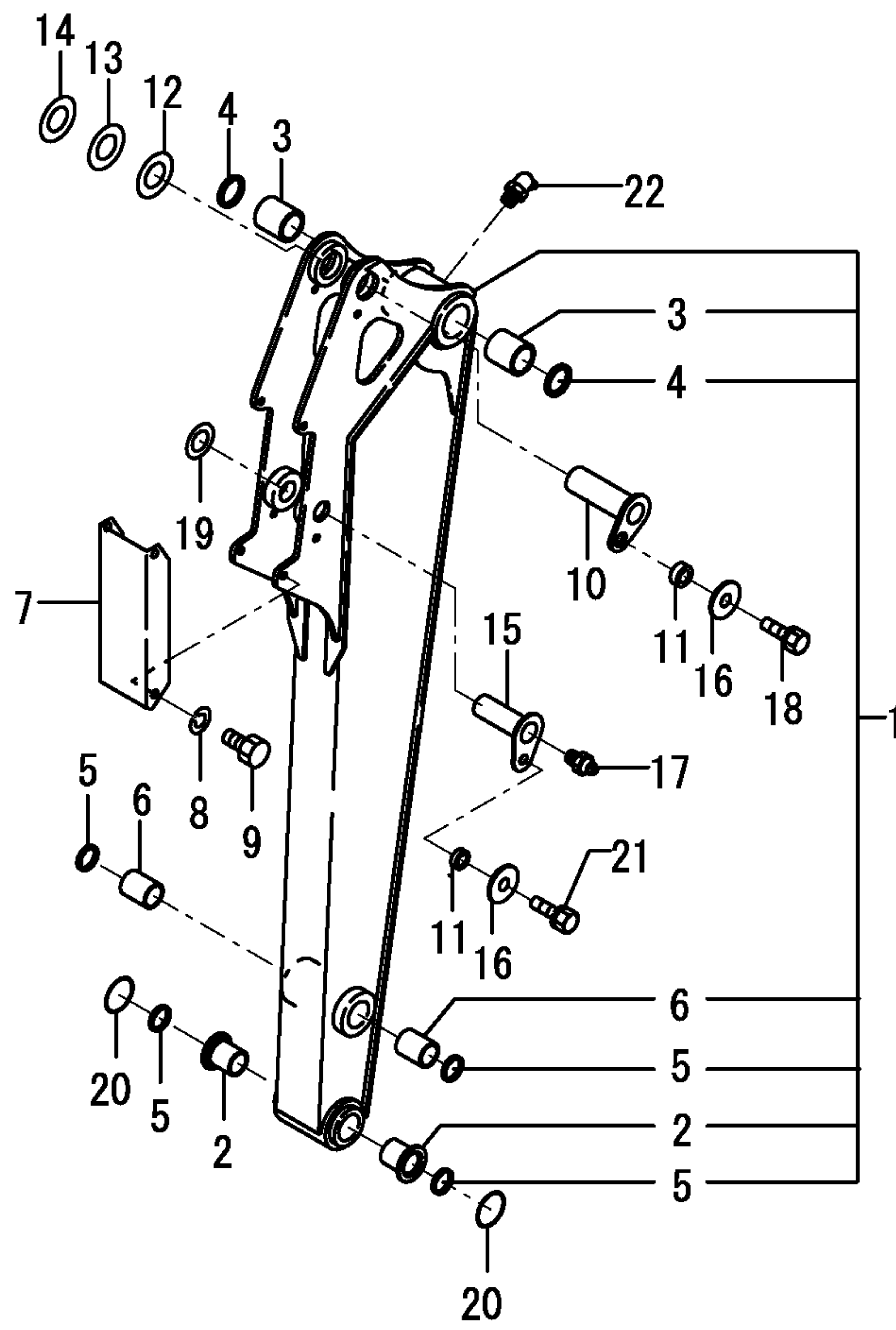
1,1,,172444-81060,, "ARM 1220(P.T.O.)(97)",1,,,,,,,,,,,,,  
4,3,,172168-81260,, "BUSH 38X55",2,,,,,,,,,,,,,  
5,3,,172444-81310,, BUSH,2,,,,,,,,,,,,,  
6,3,,172165-81760,, "SEAL 50X60X4, DUST",2,,,,,,,,,,,,,  
7,3,,172122-82290,, "SEAL, DUST",4,,,,,,,,,,,,,  
8,3,,172116-82400,, "PIN BUSH 38X55",2,,,,,,,,,,,,,  
9,1,,172176-81520,, "PIN 50-122",1,1,,,,,,,,,,,,,  
10,1,,172164-81670,, SPACER,2,2,,,,,,,,,,,,,  
11,1,,172165-82520,, "SHIM 50X85X0.5",1,1,,,,,,,,,,,,,  
12,1,,172165-82530,, "SHIM 50X85X1.2",1,1,,,,,,,,,,,,,  
13,1,,172165-82540,, "SHIM 50X85X1.6",1,1,,,,,,,,,,,,,  
14,1,,172444-82960,, PIN,1,1,,,,,,,,,,,,,  
15,1,,22157-120000,, "WASHER 12",2,2,,,,,,,,,,,,,  
16,1,,24761-020000,, "NIPPLE PT1/8,GREASE",1,1,,,,,,,,,,,,,  
17,1,,26013-120252,, "BOLT M12X 25",1,1,,,,,,,,,,,,,  
18,1,,933171-29751,, "SHIM SET,38X(0.8,1.2)",1,1,,,,,,,,,,,,,  
19,1,,172142-81620,, O-RING,2,2,,,,,,,,,,,,,  
20,1,,26013-120202,, "BOLT W/WASHER M12X20",1,1,,,,,,,,,,,,,  
21,1,,24761-040000,, "NIPPLE B,GREASE",1,1,,,,,,,,,,,,,  
22,1,,172444-61900,, "COVER,ARM (GREEN:97)",1,1,,,,,,,,,,,,,  
23,1,,22217-100000,, "SPRING WASHER 10",4,4,,,,,,,,,,,,,  
24,1,,26116-100162,, "BOLT M10X 16 PLATED",4,4,,,,,,,,,,,,,  
25,1,,172444-81061,, "ARM ASSY",,1,,,,,,,,,,,,,I  
28,3,,172448-54120,, "SEAL 50X60X4,DUST",,2,,,,,,,,,,,,,I  
29,3,,172168-81270,, "SEAL,DUST 38X50X4",,4,,,,,,,,,,,,,I  
30,3,,172444-81310,, BUSH,,2,,,,,,,,,,,,,I  
31,3,,172458-81630,, "BUSH 38-55",,2,,,,,,,,,,,,,I  
32,3,,172458-81630,, "BUSH 38-55",,2,,,,,,,,,,,,,I





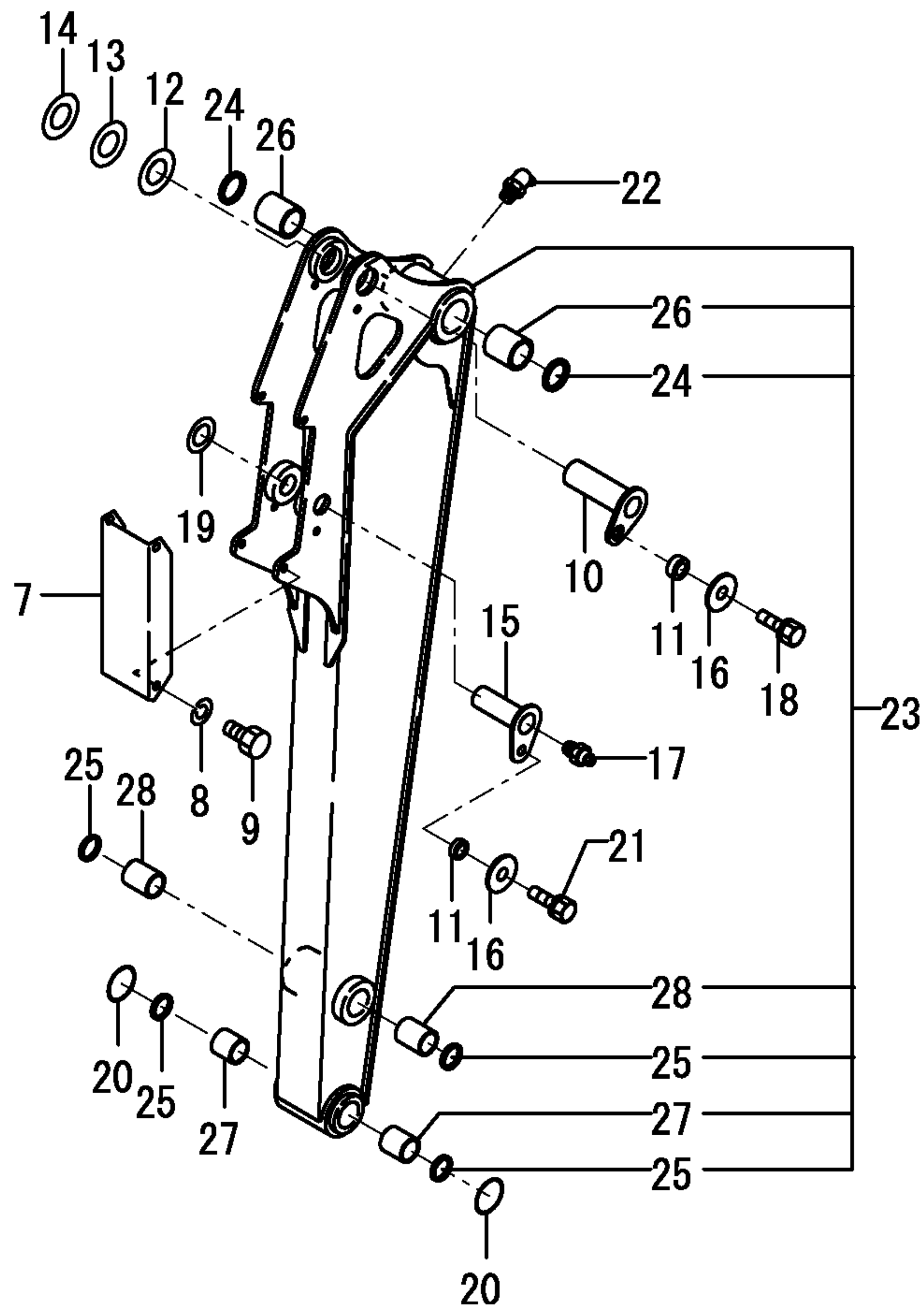
1,1,,172444-83700,, "ARM 1530 (GREEN:97)",1,,,,,,,,,,,,,  
2,2,,172168-81260,, "BUSH 38X55",2,,,,,,,,,,,,,  
3,2,,172444-81310,, BUSH,2,,,,,,,,,,,,,  
4,2,,172165-81760,, "SEAL 50X60X4, DUST",2,,,,,,,,,,,,,  
5,2,,172122-82290,, "SEAL, DUST",4,,,,,,,,,,,,,  
6,2,,172116-82400,, "PIN BUSH 38X55",2,,,,,,,,,,,,,  
7,1,,172444-61980,, "COVER,ARM (GREEN:97)",1,1,,,,,,,,,,,,,  
8,1,,22217-120000,, "SPRING WASHER 12",4,4,,,,,,,,,,,,,  
9,1,,26116-120162,, "BOLT M12X 16 PLATED",4,4,,,,,,,,,,,,,  
10,1,,172176-81520,, "PIN 50-122",1,1,,,,,,,,,,,,,  
11,1,,172164-81670,, SPACER,2,2,,,,,,,,,,,,,  
12,1,,172165-82520,, "SHIM 50X85X0.5",1,1,,,,,,,,,,,,,  
13,1,,172165-82530,, "SHIM 50X85X1.2",1,1,,,,,,,,,,,,,  
14,1,,172165-82540,, "SHIM 50X85X1.6",1,1,,,,,,,,,,,,,  
15,1,,172444-82960,, PIN,1,1,,,,,,,,,,,,,  
16,1,,22157-120000,, "WASHER 12",2,2,,,,,,,,,,,,,  
17,1,,24761-020000,, "NIPPLE PT1/8,GREASE",1,1,,,,,,,,,,,,,  
18,1,,26013-120252,, "BOLT M12X 25",1,1,,,,,,,,,,,,,  
19,1,,933171-29751,, "SHIM SET,38X(0.8,1.2)",1,1,,,,,,,,,,,,,  
20,1,,172142-81620,, O-RING,2,2,,,,,,,,,,,,,  
21,1,,26013-120202,, "BOLT W/WASHER M12X20",1,1,,,,,,,,,,,,,  
22,1,,24761-040000,, "NIPPLE B,GREASE",1,1,,,,,,,,,,,,,  
23,1,,172444-83701,, "ARM ASSY,1530 (97)",1,,,,,,,,,,,,,I  
24,2,,172448-54120,, "SEAL 50X60X4,DUST",2,,,,,,,,,,,,,I  
25,2,,172168-81270,, "SEAL,DUST 38X50X4",4,,,,,,,,,,,,,I  
26,2,,172444-81310,, BUSH,2,,,,,,,,,,,,,I  
27,2,,172458-81630,, "BUSH 38-55",2,,,,,,,,,,,,,I  
28,2,,172458-81630,, "BUSH 38-55",2,,,,,,,,,,,,,I

旧形 ~M/#35101  
PREVIOUS



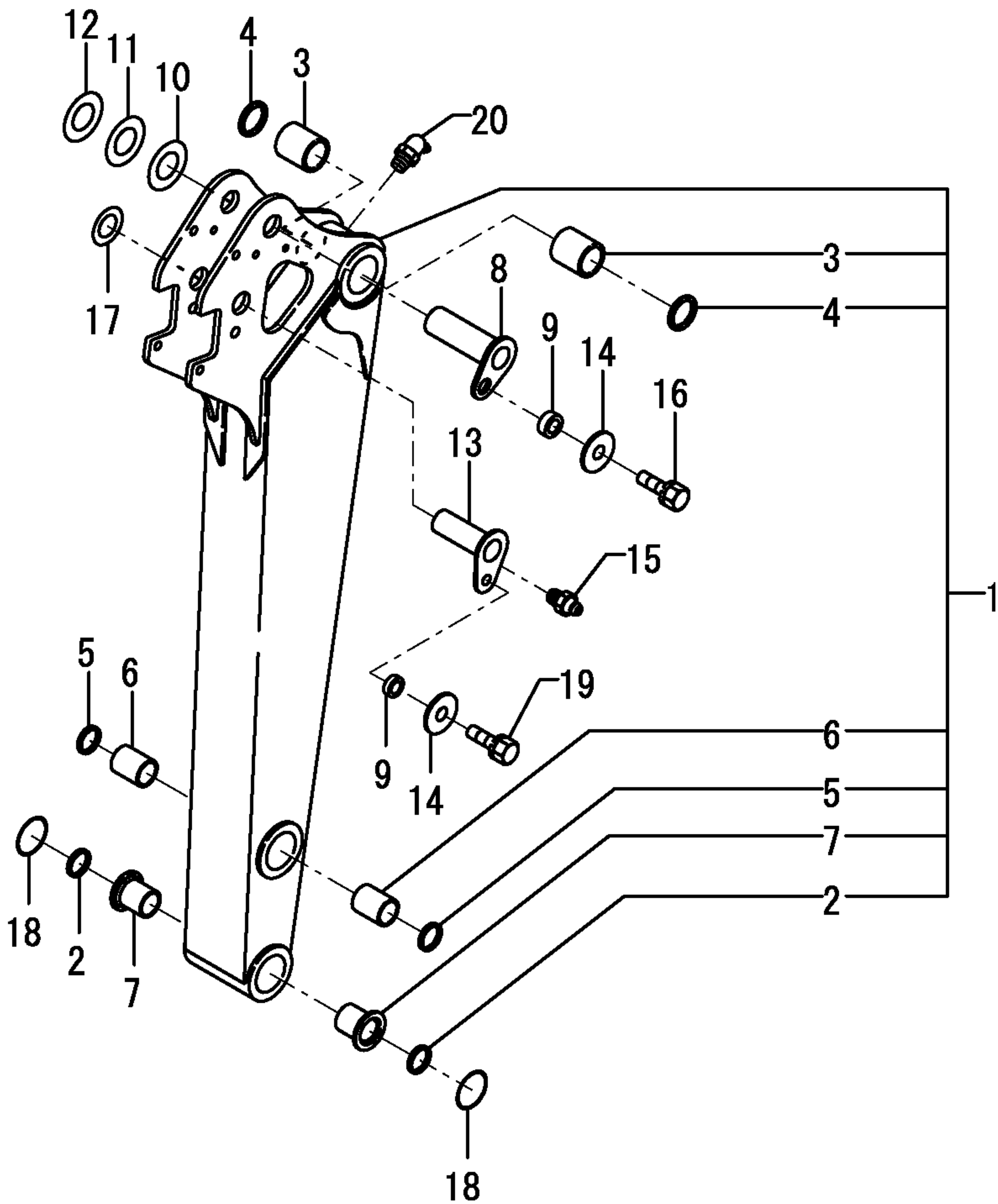
ロングアーム仕様  
LONG ARM SPEC.

新形 M/#36001~  
NEW



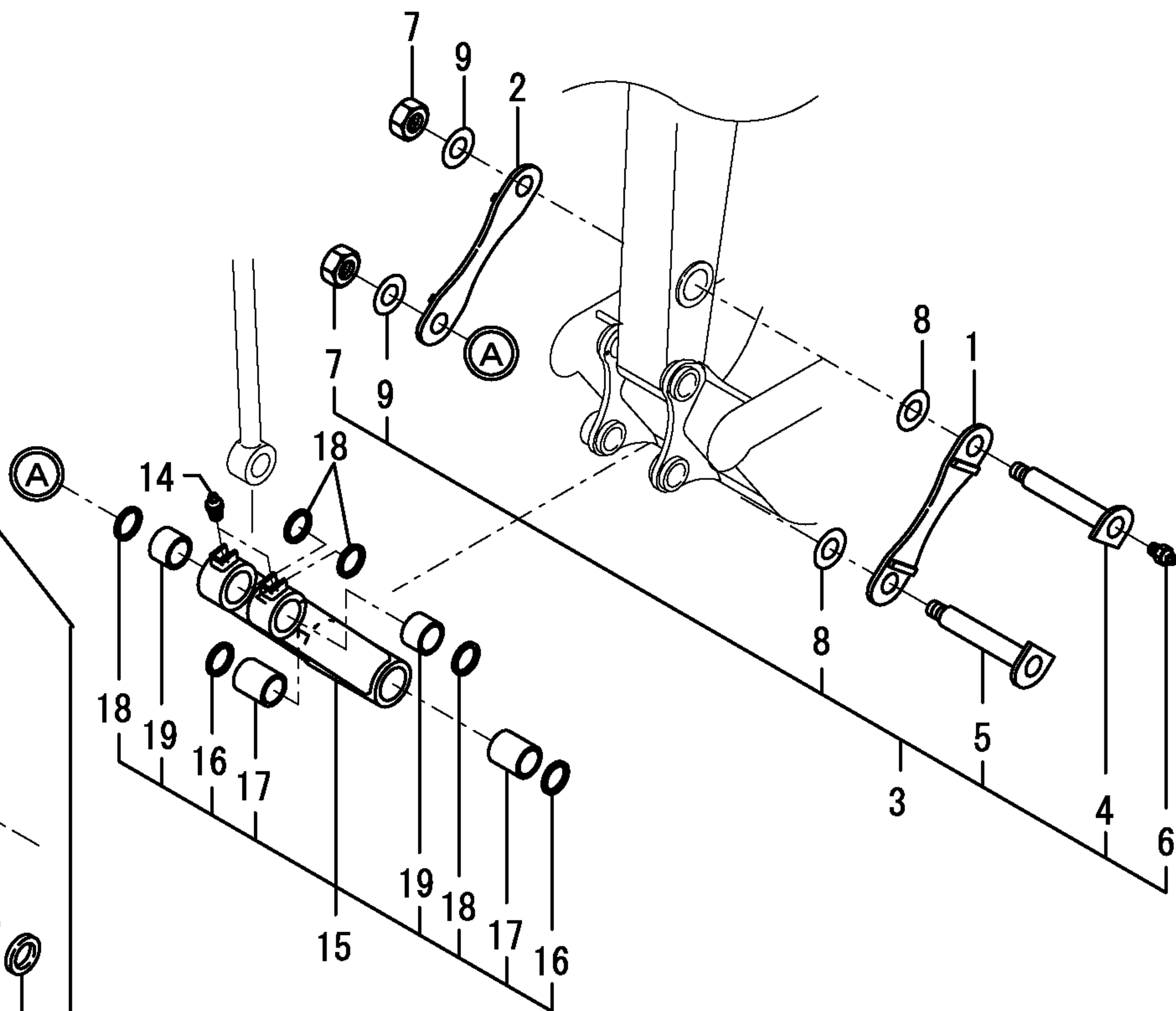
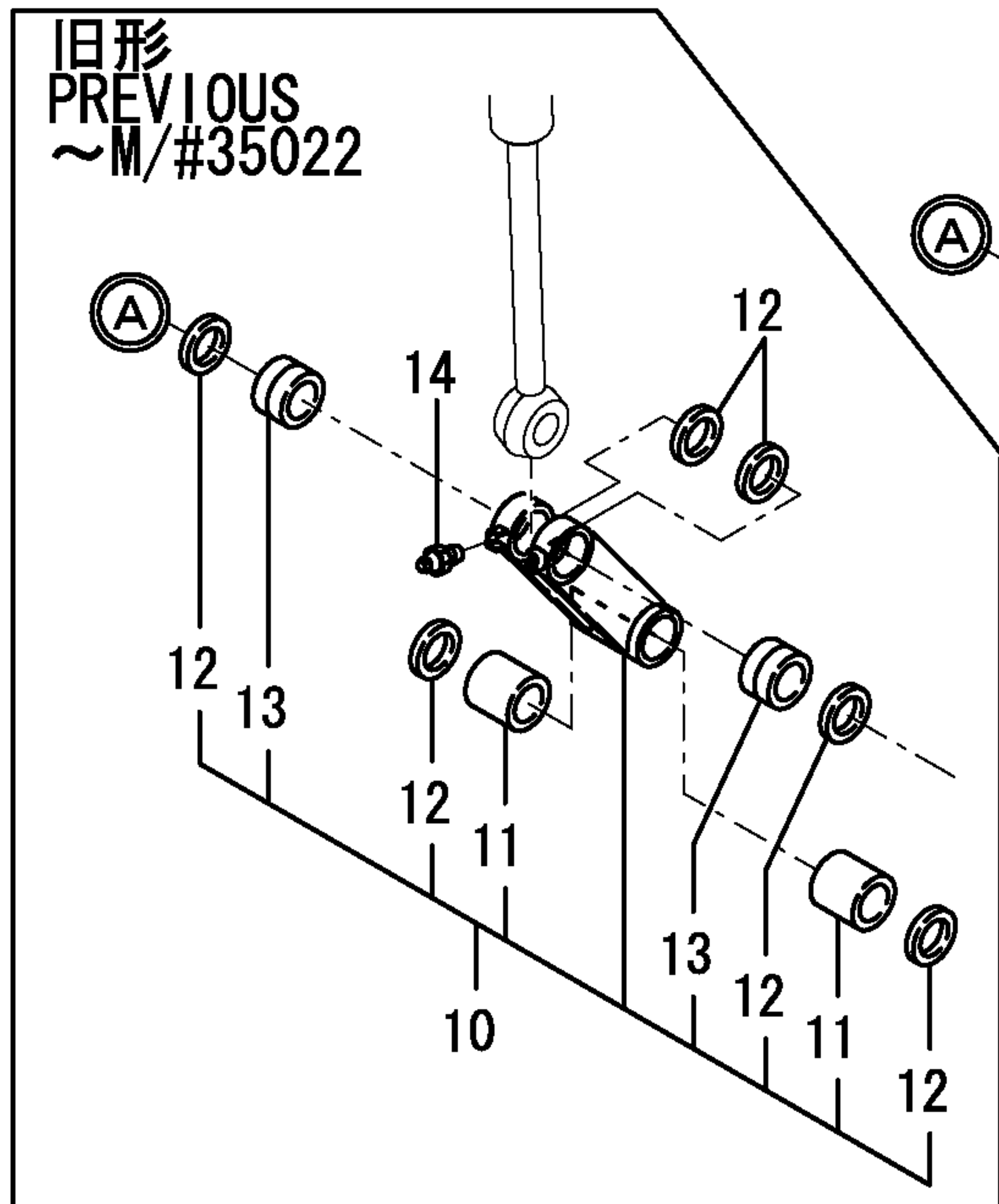
ロングアーム仕様  
LONG ARM SPEC.

1,1,,172444-83500,, "ARM CMP(K (97)",1,1,,,,,,,,,,,,,  
2,2,,172171-81280,, "SEAL 35X45X4",2,2,,,,,,,,,,,,,  
2-1,2,,172448-81610,, "SEAL 35X45X4,DUST",,2,,,,,R,,,,,72449038,M/#36637,,,,,,,,,I  
3,2,,172444-81310,, BUSH,2,2,,,,,,,,,,,,,  
4,2,,172165-81760,, "SEAL 50X60X4, DUST",2,2,,,,,,,,,,,,,  
4-1,2,,172448-54120,, "SEAL 50X60X4,DUST",,2,,,,,R,,,,,72449038,M/#36637,,,,,,,,,I  
5,2,,172122-82290,, "SEAL, DUST",2,2,,,,,,,,,,,,,  
6,2,,172116-82400,, "PIN BUSH 38X55",2,2,,,,,,,,,,,,,  
7,2,,172444-83510,, "BUSH 35-48",2,2,,,,,,,,,,,,,  
8,1,,172176-81520,, "PIN 50-122",1,1,,,,,,,,,,,,,  
9,1,,172164-81670,, SPACER,2,2,,,,,,,,,,,,,  
10,1,,172165-82520,, "SHIM 50X85X0.5",1,1,,,,,,,,,,,,,  
11,1,,172165-82530,, "SHIM 50X85X1.2",1,1,,,,,,,,,,,,,  
12,1,,172165-82540,, "SHIM 50X85X1.6",1,1,,,,,,,,,,,,,  
13,1,,172444-82960,, PIN,1,1,,,,,,,,,,,,,  
14,1,,22157-120000,, "WASHER 12",2,2,,,,,,,,,,,,,  
15,1,,24761-020000,, "NIPPLE PT1/8,GREASE",1,1,,,,,,,,,,,,,  
16,1,,26013-120252,, "BOLT M12X 25",1,1,,,,,,,,,,,,,  
17,1,,933171-29751,, "SHIM SET,38X(0.8,1.2)",1,1,,,,,,,,,,,,,  
18,1,,172142-81620,, O-RING,2,2,,,,,,,,,,,,,  
19,1,,26013-120202,, "BOLT W/WASHER M12X20",1,1,,,,,,,,,,,,,  
20,1,,24761-040000,, "NIPPLE B,GREASE",1,1,,,,,,,,,,,,,



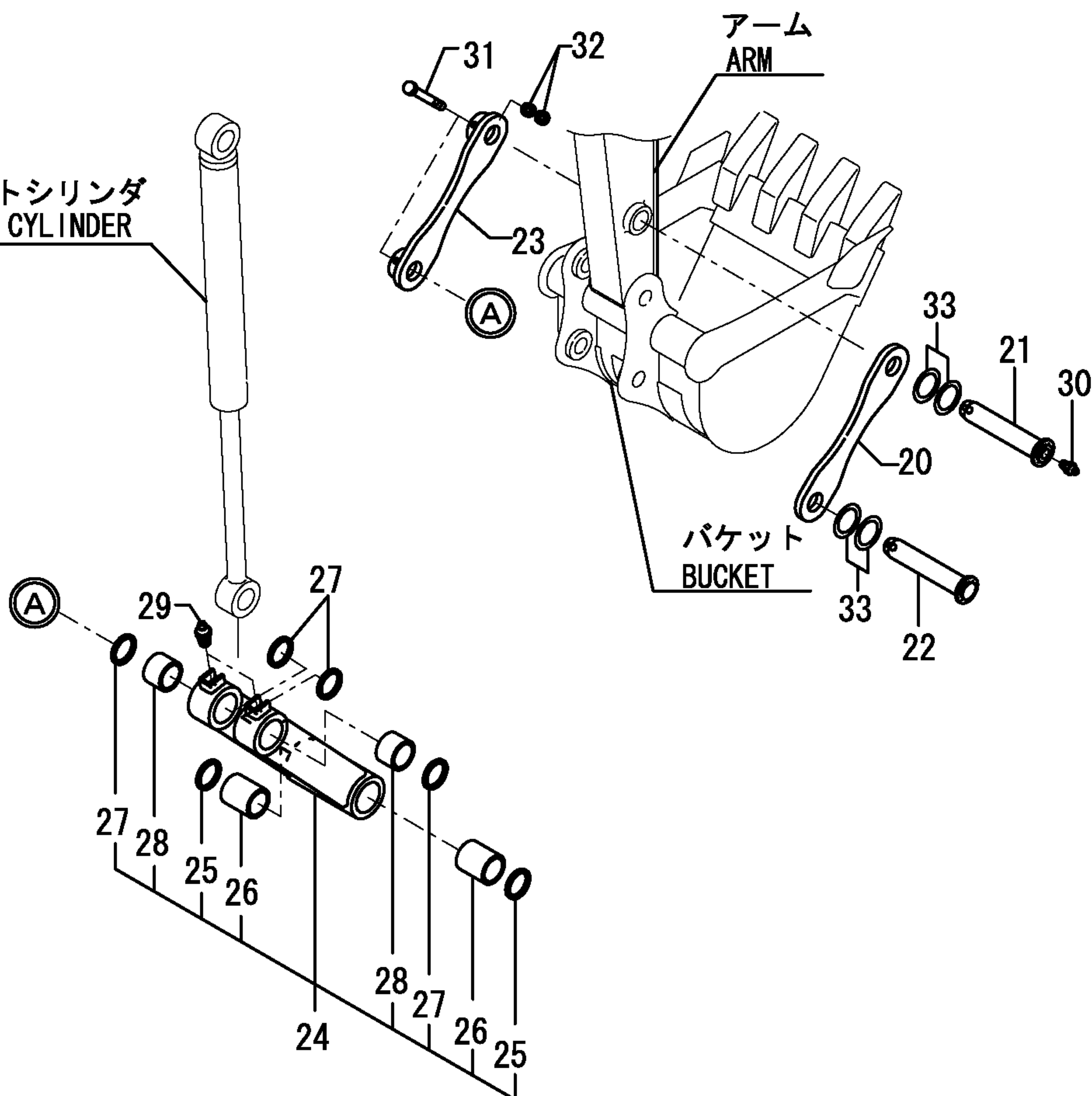
1,1,,172164-81810,, "ARM(L),BUCKET(GREEN)" ,1,,,,,,,,,,,,,,,,,,,,,  
2,1,,172164-81820,, "ARM,BUCKET(GREEN:97)" ,1,,,,,,,,,,,,,,,,,,,,,  
3,1,,172164-81960,, "PIN KIT, BUCKET ARM" ,1,,,,,,,,,,,,,,,,,,,,,  
4,2,,172164-81830,, "PIN 38X170A" ,1,,,,,,,,,,,,,,,,,,,,,  
5,2,,172164-81850,, "PIN 38X170B" ,1,,,,,,,,,,,,,,,,,,,,,  
6,2,,24761-020000,, "NIPPLE PT1/8,GREASE" ,1,,,,,,,,,,,,,,,,,,,,,  
7,2,,933110-86600,, "NUT M24, NYLON" ,2,,,,,,,,,,,,,,,,,,,,,  
8,2,,933171-29751,, "SHIM SET,38X(0.8,1.2)" ,2,,,,,,,,,,,,,,,,,,,,,  
9,2,,933171-29760,, "WASHER,2" ,,,,,,,,,,,,,,,,,,,,,,  
10,1,,172168-84402-4,, "LINK, BUCKET (GREEN)" ,1,,,,,1,,,,,1,,,,,  
11,2,,172164-81880,, "BUSH 38X55, PIN" ,2,,,,,,,,,,,,,,,,,,,,,  
12,2,,172122-82290,, "SEAL, DUST" ,6,,,,,,,,,,,,,,,,,,,,,  
13,2,,172168-84411,, "BUSH 38-48-33.5" ,2,,,,,,,,,,,,,,,,,,,,,  
14,1,,24761-020000,, "NIPPLE PT1/8,GREASE" ,2,,,,,,,,,,,,,,,,,,,,,  
15,1,,172458-82650,, "LINK,BUCKET(GREEN:97)" ,1,,,,,,,,,,,,,,,,,,,,,I  
16,2,,172168-81270,, "SEAL,DUST 38X50X4" ,2,,,,,,,,,,,,,,,,,,,,,I  
17,2,,172458-81630,, "BUSH 38-55" ,2,,,,,,,,,,,,,,,,,,,,,I  
18,2,,172122-82290,, "SEAL, DUST" ,4,,,,,,,,,,,,,,,,,,,,,I  
19,2,,172168-84411,, "BUSH 38-48-33.5" ,2,,,,,,,,,,,,,,,,,,,,,I  
20,1,,172164-81820,, "ARM,BUCKET(GREEN:97)" ,,1,1,,,,,,,,,,,,,,,,,,,,,  
21,1,,172458-81860,, "PIN 38X182 ASSY" ,,1,1,,,,,,,,,,,,,,,,,,,,,  
22,1,,172458-81890,, "PIN 38X182 ASSY" ,,1,1,,,,,,,,,,,,,,,,,,,,,  
23,1,,172458-82600,, "ARM R,BUCKET(GREEN97)" ,,1,1,,,,,,,,,,,,,,,,,,,,,  
24,1,,172458-82650,, "LINK,BUCKET(GREEN:97)" ,,1,1,,,,,,,,,,,,,,,,,,,,,  
24-1,1,,172458-82651,, "LINK, BUCKET  
(97)" ,,1,1,,,,,R,,,,,72458526,M/#36771,,,,,I  
25,2,,172168-81270,, "SEAL,DUST 38X50X4" ,,2,2,,,,,,,,,,,,,,,,,,,,,  
26,2,,172458-81630,, "BUSH 38-55" ,,2,2,,,,,,,,,,,,,,,,,,,,,  
27,2,,172122-82290,, "SEAL, DUST" ,,4,4,,,,,,,,,,,,,,,,,,,,,  
28,2,,172168-84411,, "BUSH 38-48-33.5" ,,2,2,,,,,,,,,,,,,,,,,,,,,  
29,1,,24761-020000,, "NIPPLE PT1/8,GREASE" ,,2,2,,,,,,,,,,,,,,,,,,,,,  
30,1,,24761-020000,, "NIPPLE PT1/8,GREASE" ,,1,1,,,,,,,,,,,,,,,,,,,,,  
31,1,,26116-100752,, "BOLT M10X 75 PLATED" ,,2,2,,,,,,,,,,,,,,,,,,,,,  
32,1,,26716-100002,, "NUT 10" ,,4,4,,,,,,,,,,,,,,,,,,,,,  
33,1,,933171-29751,, "SHIM SET,38X(0.8,1.2)" ,,2,2,,,,,,,,,,,,,,,,,,,,,

旧形  
PREVIOUS  
~M/#35101



新形  
NEW  
M/#36001~

バケットシリンダ  
BUCKET CYLINDER





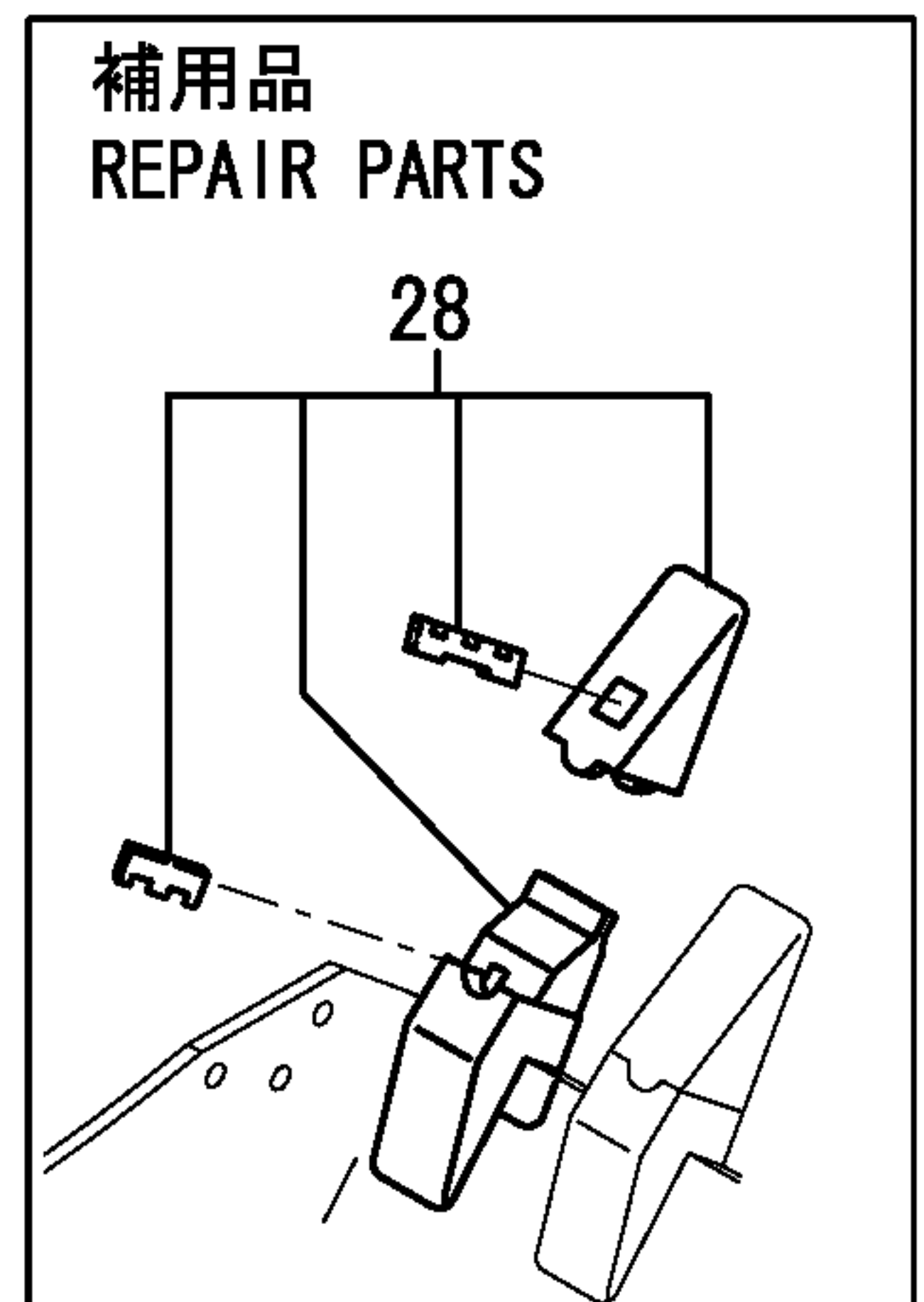
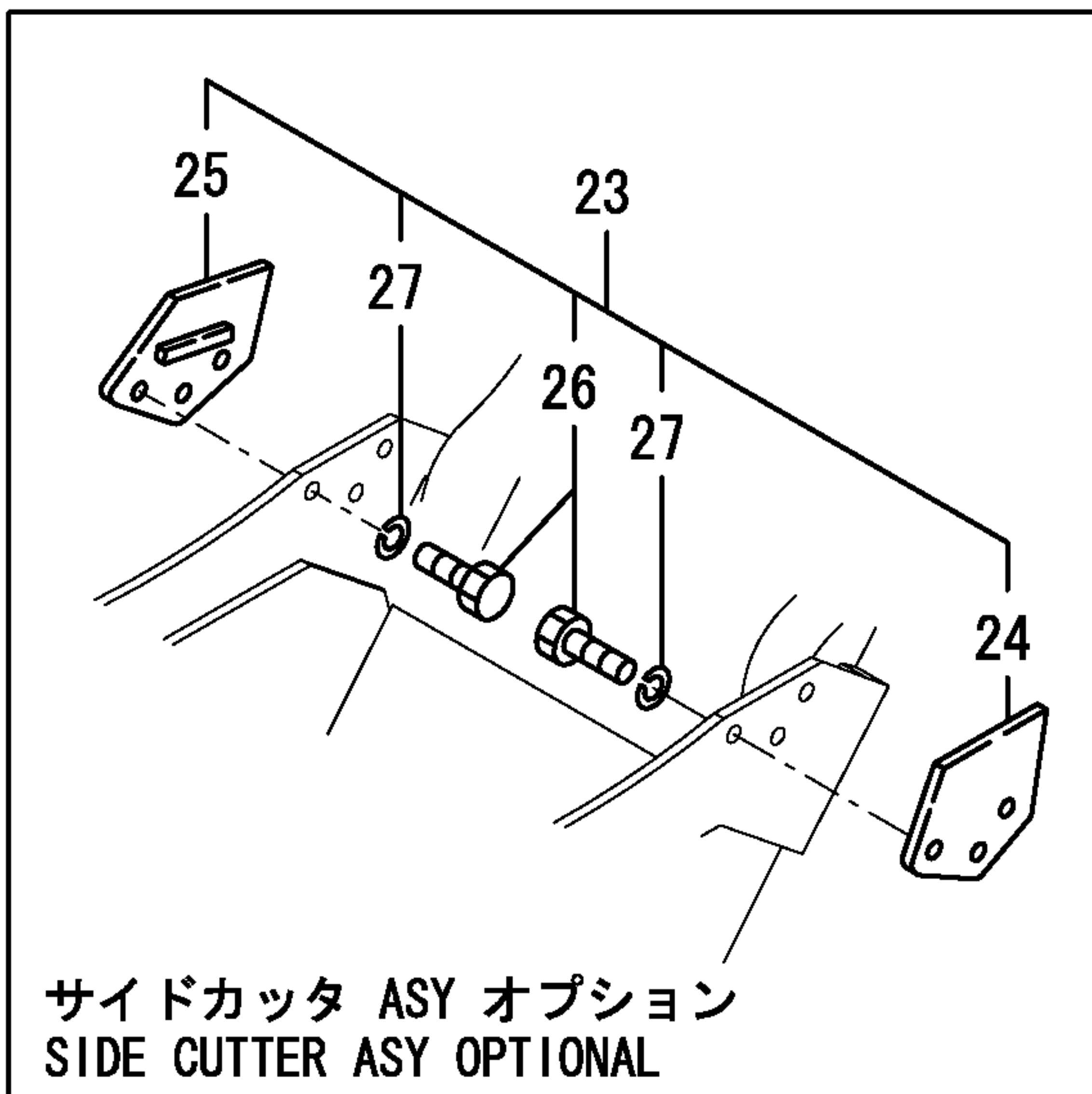
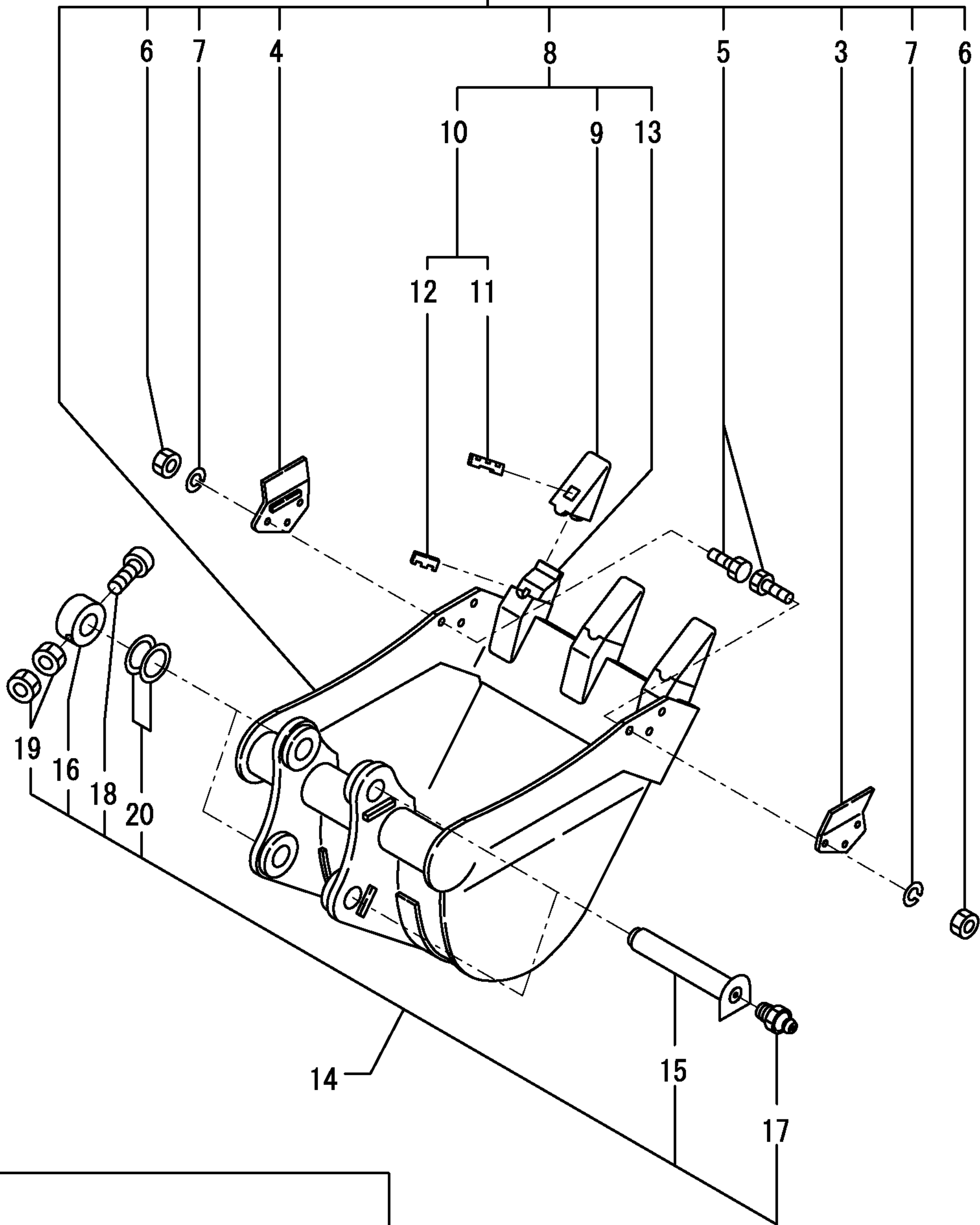
1,1,,172164-81810,, "ARM(L),BUCKET(GREEN)",1,1,,,,,,,,,,,,,  
2,1,,172164-81820,, "ARM,BUCKET(GREEN:97)",1,1,,,,,,,,,,,,,  
3,1,,172164-81960,, "PIN KIT, BUCKET ARM",1,1,,,,,,,,,,,,,  
4,2,,172164-81830,, "PIN 38X170A",1,1,,,,,,,,,,,,,  
5,2,,172164-81850,, "PIN 38X170B",1,1,,,,,,,,,,,,,  
6,2,,24761-020000,, "NIPPLE PT1/8,GREASE",1,1,,,,,,,,,,,,,  
7,2,,933110-86600,, "NUT M24, NYLON",2,2,,,,,,,,,,,,,  
8,2,,933171-29751,, "SHIM SET,38X(0.8,1.2)",2,2,,,,,,,,,,,,,  
9,2,,933171-29760,, "WASHER,2,2",,,,,,,,,,,,,,  
10,1,,172444-83550,, "LINK,BUCKET(GREEN:97)",1,1,,,,,,,,,,,,,  
11,2,,172171-81280,, "SEAL 35X45X4",2,2,,,,,,,,,,,,,  
11-1,2,,172448-81610,, "SEAL  
35X45X4,DUST",,2,,,,,R,,,,,72449038,M/#36637,,,,,,,,,I  
12,2,,172141-82270,, "BUSH 35 45",2,2,,,,,,,,,,,,,  
13,2,,172122-82290,, "SEAL, DUST",4,4,,,,,,,,,,,,,  
14,2,,172168-84411,, "BUSH 38-48-33.5",2,2,,,,,,,,,,,,,  
15,1,,24761-020000,, "NIPPLE PT1/8,GREASE",2,2,,,,,,,,,,,,,



1A,1,,172444-82700,, "BUCKET 340S(GREEN:97",1,,,,,,,,,,,,,  
1B,1,,172444-82600,, "BUCKET,490S(GREEN:97",,1,,,,,,,,,,,,,  
1B-1,1,,172458-  
82500,, "BUCKET,490S(GREEN:97",,1,,,,,R,,,,,72444372,M/#36001,,,,,,I  
1C,1,,172444-86300,, "BUCKET 540S(GREEN:97",,,1,,,,,,,,,,,,,  
1C-1,1,,172458-  
82100,, "BUCKET,540S(GREEN:97",,,1,,,,,R,,,,,72444372,M/#36001,,,,,,I  
1D,1,,172444-86320,, "BUCKET(590S(GREEN:97,,,,,1,,,,,,,,,,,,,  
1D-1,1,,172458-  
82400,, "BUCKET,590S(GREEN:97",,,,,,1,,,,,R,,,,,72444372,M/#36001,,,,,I  
1E,1,,172444-86400,, "BUCKET(640S(GREEN:97,,,,,1,,,,,,,,,,,,,  
1E-1,1,,172458-  
82700,, "BUCKET,640S(GREEN:97",,,,,,1,,,,,R,,,,,72444672,M/#36001,,,,,I  
3,2,,172142-86150-4,, "CUTTER(L),SIDE(GREEN",1,1,1,1,1,,,,,,,,,,,,,  
3-1,2,,172458-82240,, "CUTTER L  
(GREEN:97)",1,1,1,1,1,,R,,72444372,M/#36001,72444372,M/#36001,72444372,M/#36001,  
72444372,M/#36001,72444372,M/#36001,,,,,I  
4,2,,172142-86160-4,, "CUTTER(R),SIDE(GREEN",1,1,1,1,1,,,,,,,,,,,,,  
4-1,2,,172458-82260,, "CUTTER R  
(GREEN:97)",1,1,1,1,1,,R,,72444372,M/#36001,72444372,M/#36001,72444372,M/#36001,  
72444372,M/#36001,72444372,M/#36001,,,,,I  
5,2,,172142-86280,, "BOLT M14X 40",6,6,6,6,6,,,,,,,,,,,,,  
5-1,2,,172458-82280,, "BOLT  
14X40",6,6,6,6,6,,R,,72444372,M/#36001,72444372,M/#36001,72444372,M/#36001,72444  
372,M/#36001,72444372,M/#36001,,,,,I  
6,2,,172142-86290,, "NUT 14",6,6,6,6,6,,,,,,,,,,,,,  
6-1,2,,172458-82290,, "NUT,  
M14",6,6,6,6,6,,R,,72444372,M/#36001,72444372,M/#36001,72444372,M/#36001,7244437  
2,M/#36001,72444372,M/#36001,,,,,I  
7,2,,22217-140000,, "SPRING WASHER 14",6,6,6,6,6,,,,,,,,,,,,,  
8,2,,172165-86500-4,, "TEETH KIT,POINT (97)",3,3,4,4,4,,,,,,,,,,,,,  
8-1,2,,172448-82950-1,, "TOOTH KIT,  
POINT(97)",3,3,4,4,4,,R,,72444372,M/#36001,72444372,M/#36001,72444372,M/#36001,7  
2444372,M/#36001,72444372,M/#36001,,,,,I  
9,3,,172151-81600-4,, "POINT,TOOTH 18S (97)",3,3,4,4,4,,,,,,,,,,,,,  
9-1,3,,172448-82570,, "POINT,TOOTH 18S  
(97)",3,3,4,4,4,,R,,72444372,M/#36001,72444372,M/#36001,72444372,M/#36001,724443  
72,M/#36001,72444372,M/#36001,,,,,I  
10,3,,172151-81620,, "PIN ASSY, LOCK",3,3,4,4,4,,,,,,,,,,,,,  
10-1,3,,172448-82960,, "PIN ASSY,  
LOCK",3,3,4,4,4,,R,,72444372,M/#36001,72444372,M/#36001,72444372,M/#36001,724443  
72,M/#36001,72444372,M/#36001,,,,,I  
11,4,,172151-81630,, "PIN,3,3,4,4,4,,,,,,,,,,,,,  
11-1,4,,172448-  
82580,, "PIN,LOCK",3,3,4,4,4,,R,,72444372,M/#36001,72444372,M/#36001,72444372,M/#  
36001,72444372,M/#36001,72444372,M/#36001,,,,,I  
12,4,,172151-81640,, "LOCK,RUBBER BIN",3,3,4,4,4,,,,,,,,,,,,,  
12-1,4,,172448-  
82590,, "RUBBER,PIN",3,3,4,4,4,,R,,72444372,M/#36001,72444372,M/#36001,72444372,M  
/#36001,72444372,M/#36001,72444372,M/#36001,,,,,I  
13,2,,172142-86140,, "ADAPTER,3,3,4,4,4,,,,,,,,,,,,,  
13-1,2,,172458-  
82231,, "ADAPTER,3,3,4,4,4,,R,,72444372,M/#36001,72444372,M/#36001,72444372,M/#360  
01,72444372,M/#36001,72444372,M/#36001,,,,,I  
14,1,,172164-81950-4,, "PIN KIT,BUCKET(GREEN",2,2,2,2,2,,,,,,,,,,,,,  
15,2,,172164-81630,, "PIN,2,2,2,2,2,,,,,,,,,,,,,  
16,2,,172164-81700,, "COLLAR 38X50.8X22",2,2,2,2,2,,,,,,,,,,,,,  
17,2,,24761-020000,, "NIPPLE PT1/8,GREASE",2,2,2,2,2,,,,,,,,,,,,,  
18,2,,26116-100652,, "BOLT M10X 65 PLATED",2,2,2,2,2,,,,,,,,,,,,,  
19,2,,26716-100002,, "NUT 10",4,4,4,4,4,,,,,,,,,,,,,  
20,2,,933171-29751,, "SHIM SET,38X(0.8,1.2",2,2,2,2,2,,,,,,,,,,,,,  
23,1,,172142-86500,, "KIT,SIDE CUTTER (97)",1,1,1,1,1,,,,,,,,,,,,,I  
24,2,,172142-86510,, "CUTTER (L) ASSY,SIDE",1,1,1,1,1,,,,,,,,,,,,,I

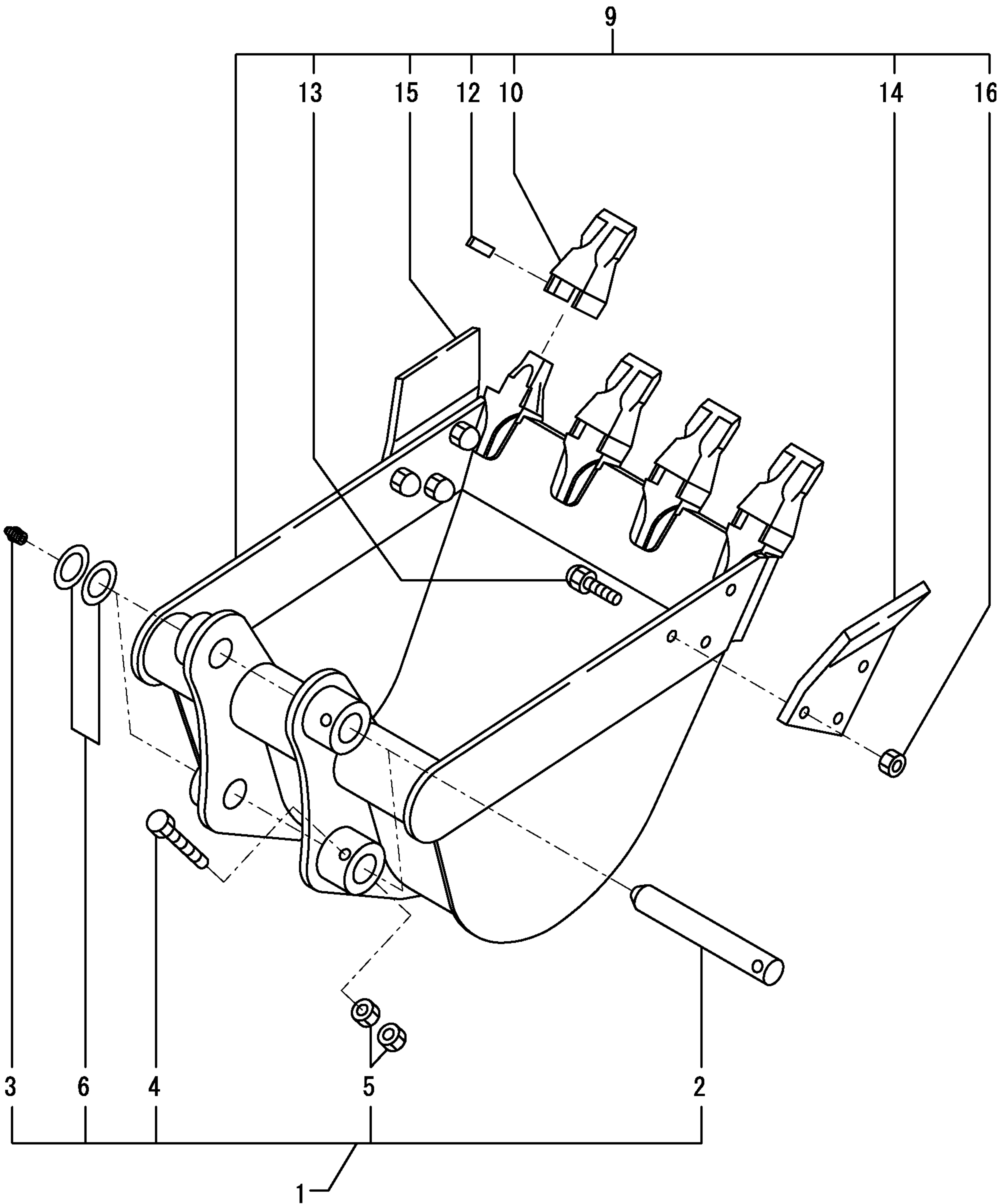
25,2,,172142-86520,, "CUTTER (R) ASSY, SIDE",1,1,1,1,1,,,,,,,,,,,,,I  
26,2,,172142-86540,, "BOLT M14X 30",6,6,6,6,6,,,,,,,,,,,,,I  
27,2,,22217-140000,, "SPRING WASHER 14",6,6,6,6,6,,,,,,,,,,,,,I  
28,1,,772458-82230,, "TOOH ASSY (GREEN:97)",3,3,4,4,4,,,,,,,,,,,,,I  
28-1,1,,772458-82231,, "TOOTH  
ASSY(GREEN:97)",3,3,4,4,4,,R,,72444372,M/#36001,72444372,M/#36001,72444372,M/#36  
001,72444372,M/#36001,72444372,M/#36001,,,I

- 1A (340S) (アタッチメント. ATTACHMENT)
- 1B (490S) (標準. STANDARD)
- 1C (540S) (アタッチメント. ATTACHMENT)
- 1D (590S) (アタッチメント. ATTACHMENT)
- 1E (640S) (アタッチメント. ATTACHMENT)

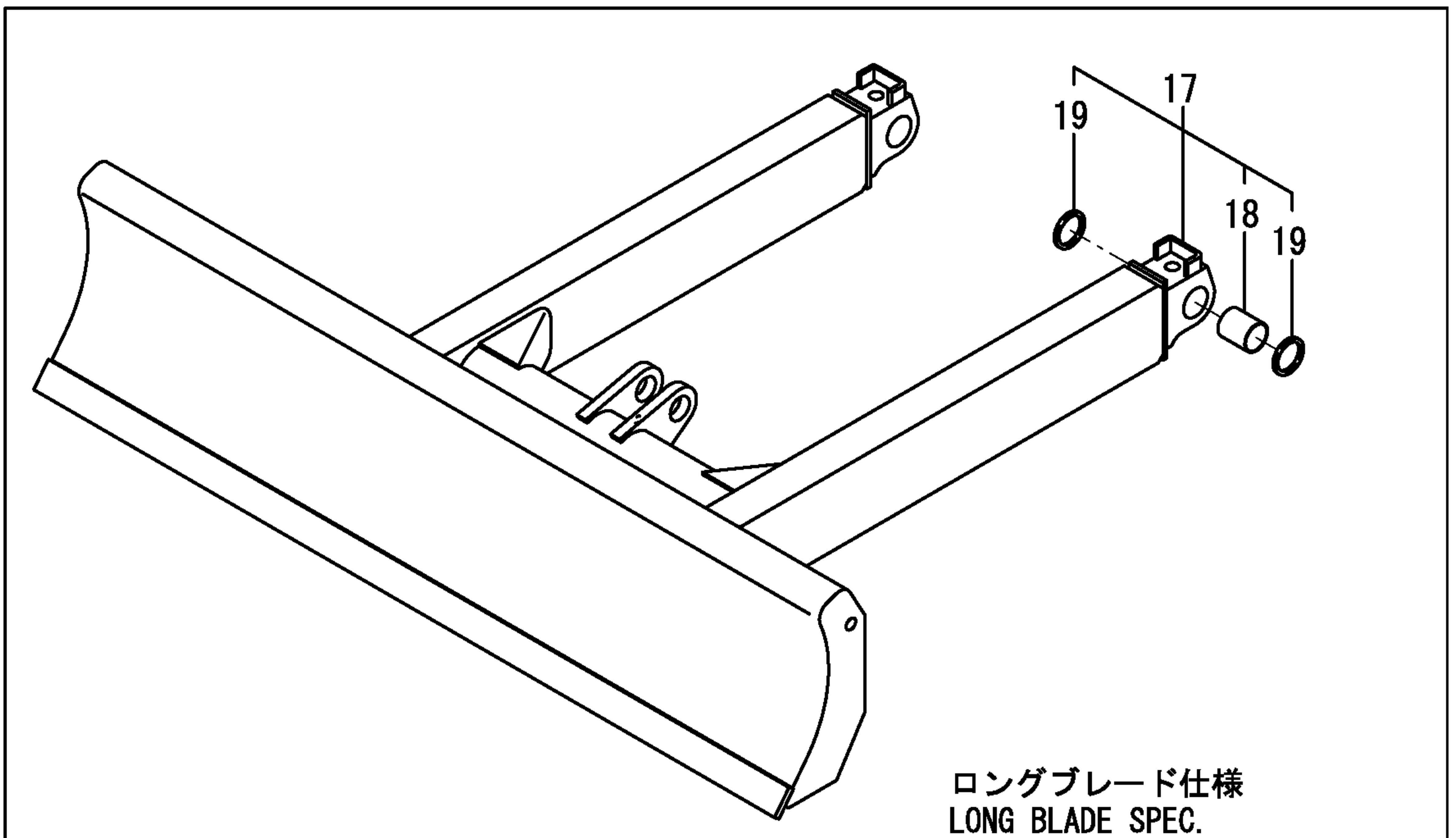
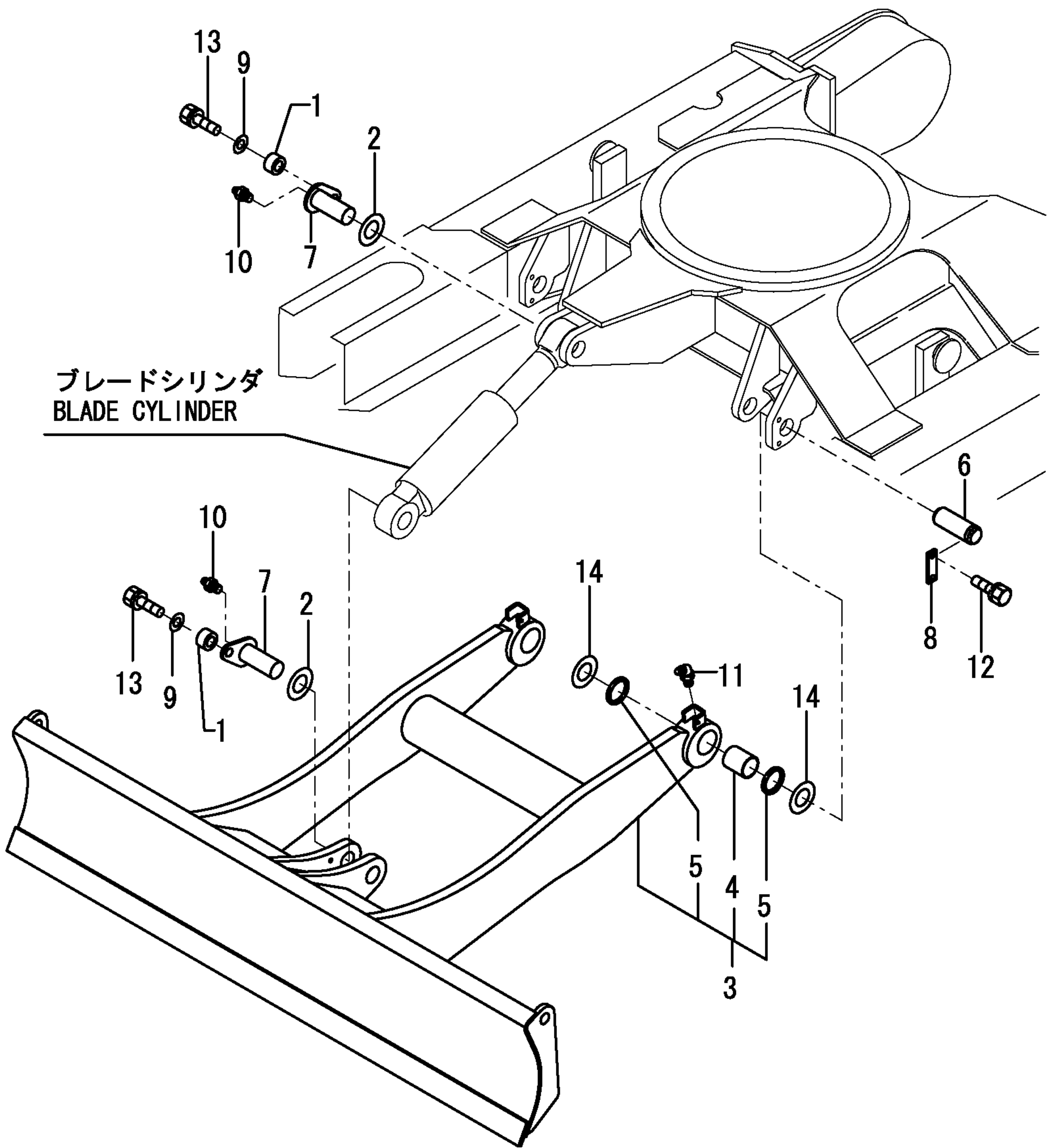


1,1,,172444-82570,, "PIN KIT,BUCKET(K(97))",2,2,,,,,,,,,,,,,,,,,,,,,  
2,2,,172444-82580,, PIN-K,2,2,,,,,,,,,,,,,,,,,,,,,  
3,2,,24761-020000,, "NIPPLE PT1/8,GREASE",2,2,,,,,,,,,,,,,,,,,,,,,  
4,2,,26116-120802,, "BOLT M12X 80 PLATED",2,2,,,,,,,,,,,,,,,,,,,,,  
5,2,,26716-120002,, "NUT 12",4,4,,,,,,,,,,,,,,,,,,,,,  
6,2,,933171-29751,, "SHIM SET,38X(0.8,1.2)",2,2,,,,,,,,,,,,,,,,,,,,,  
9,1,,182900-43550-4,, BUCKET(500(GREEN:97)),1,1,,,,,,,,,,,,,,,,,,,,,  
10,2,,182900-00150-4,, "TEETH (GREEN:97)",4,4,,,,,,,,,,,,,,,,,,,,,  
12,2,,182900-49350,, PIN,4,4,,,,,,,,,,,,,,,,,,,,,  
13,2,,182900-49380,, BOLT,6,6,,,,,,,,,,,,,,,,,,,,,  
14,2,,953KM0-03607-4,, "CUTTER,SIDE,L.H.(97)",1,1,,,,,,,,,,,,,,,,,,,,,  
15,2,,953KM0-03608-4,, "CUTTER,SIDE,R.H.(97)",1,1,,,,,,,,,,,,,,,,,,,,,  
16,2,,953KM0-04286,, NUT,6,6,,,,,,,,,,,,,,,,,,,,,





1,1,,172164-81670,,SPACER,2,2,2,,,,,,,,,,,,,  
2,1,,172112-87860,,,"SHIM 40X1",2,2,2,,,,,,,,,,,,,  
3,1,,172422-94100-4,,,"BLADE (GREEN:98)",1,1,1,,,,,,,,,,,,,  
4,2,,172168-72240,,,"BUSH 38X50X40",2,2,2,,,,,,,,,,,,,  
5,2,,172168-81270,,,"SEAL,DUST 38X50X4",4,4,4,,,,,,,,,,,,,  
6,1,,172422-94210,,,"PIN 38X 114",2,2,2,,,,,,,,,,,,,  
7,1,,172142-94241-4,,,"PIN 40X106(GREEN:98)",2,2,2,,,,,,,,,,,,,  
8,1,,172124-94310-4,,,"PLATE,LOCK",2,2,2,,,,,,,,,,,,,  
9,1,,22157-120000,,,"WASHER 12",2,2,2,,,,,,,,,,,,,  
10,1,,24761-020000,,,"NIPPLE PT1/8,GREASE",2,2,2,,,,,,,,,,,,,  
11,1,,24761-040000,,,"NIPPLE B,GREASE",2,2,2,,,,,,,,,,,,,  
12,1,,26013-100252,,,"BOLT W/WASHER M10X25",4,4,4,,,,,,,,,,,,,  
13,1,,26013-120302,,,"BOLT W/WASHER M12X30",2,2,2,,,,,,,,,,,,,  
14,1,,933171-29751,,,"SHIM SET,38X(0.8,1.2)",2,2,2,,,,,,,,,,,,,  
17,1,,172422-94300,,,"BLADE,1300(GREEN:88)",,1,,,,,,,,,,,,,I  
18,2,,172168-72240,,,"BUSH 38X50X40",,2,,,,,,,,,,,,,I  
19,2,,172168-81270,,,"SEAL,DUST 38X50X4",,4,,,,,,,,,,,,,I



1,1,,172444-08160,, "HEATER KIT",1,1,,,,,1,,,,,,,,,  
2,2,,172187-03690,, "LABEL(HEATER SWITCH",1,1,,,,,,,,,  
3,2,,194145-04810,, "WASHER 10",1,1,,,,,,,,,  
4,2,,172422-13200,, "PIPE, C.W.",1,1,,,,,,,,,  
5,2,,172422-13210,, "PIPE, C.W.",1,1,,,,,,,,,  
6,2,,172141-13490,, JOINT,1,1,,,,,,,,,  
7,2,,172187-17290,, "SWITCH, HEATER",1,1,,,,,,,,,  
8,2,,172162-17602,, HEATER,1,1,,,,,,,,,  
9,2,,172168-17600,, "CONNECTOR PT3/8-M16",1,1,,,,,,,,,  
10,2,,172165-17610,, "HOSE, HEATER",2,2,,,,,,,,,  
11,3,,172151-17610,, "HOSE, HEATER",2,2,,,,,,,,,  
12,3,,172165-17620,, TUBE,2,2,,,,,,,,,  
13,2,,172444-17610,, "PLATE,HEATER",1,1,,,,,,,,,  
14,2,,172444-17620,, "SEAL 125",2,2,,,,,,,,,  
15,2,,172137-17631,, "JOINT, HEATER",1,1,,,,,,,,,  
16,2,,172425-17630,, "VALVE ASSY, HEATER",1,1,,,,,,,,,  
17,2,,172124-17640,, "JOINT 3/8",1,1,,,,,,,,,  
18,2,,172444-17650,, SPONGE,1,1,,,,,,,,,  
19,2,,172444-17660,, CLIP,2,2,,,,,,,,,  
20,2,,172444-17670,, "SPONGE A",1,1,,,,,,,,,  
21,2,,172444-17690,, "SPONGE C",1,1,,,,,,,,,  
22,2,,172165-18770,, "GUIDE, HOSE",1,1,,,,,,,,,  
23,2,,124465-44950,, "GASKET 16",2,2,,,,,,,,,  
24,2,,172162-61870,, "RUBBER 200,EDGE",1,1,,,,,,,,,  
25,2,,172444-62390,, COVER,1,1,,,,,,,,,  
26,2,,172444-62480,, COVER,1,1,,,,,,,,,  
27,2,,172519-63240,, "BOLT 8X 16",2,2,,,,,,,,,  
28,2,,172142-76290,, "GROMMET 28X2.3",1,1,,,,,,,,,  
29,2,,119247-77100,, "RELAY, SAFETY",1,1,,,,,,,,,  
30,2,,197830-88611,, GRILLE,1,1,,,,,,,,,  
31,2,,22137-100000,, "WASHER 10,POLISHED",3,3,,,,,,,,,  
32,2,,22869-400160,, SCREW,4,4,,,,,,,,,  
33,2,,23000-022000,, "CLAMP 22",4,4,,,,,,,,,  
34,2,,23010-038000,, "CLAMP 38",2,2,,,,,,,,,  
35,2,,26013-080162,, "BOLT W/WASHER M8X16",2,2,,,,,,,,,  
36,2,,26013-100162,, "BOLT M10X 16",3,3,,,,,,,,,  
37,2,,26022-060122,, "SCREW M 6X 12",1,1,,,,,,,,,  
38,2,,933152-09280,, "BAND 170",1,1,,,,,,,,,  
39,1,,172444-08170,, "HEATER KIT(B",1,1,,,,,1,,,,,,,,,  
40,2,,172187-03690,, "LABEL(HEATER SWITCH",1,1,,,,,,,,,  
41,2,,194145-04810,, "WASHER 10",1,1,,,,,,,,,  
42,2,,172422-13200,, "PIPE, C.W.",1,1,,,,,,,,,  
43,2,,172422-13210,, "PIPE, C.W.",1,1,,,,,,,,,  
44,2,,172141-13490,, JOINT,1,1,,,,,,,,,  
45,2,,172187-17290,, "SWITCH, HEATER",1,1,,,,,,,,,  
46,2,,172162-17602,, HEATER,1,1,,,,,,,,,  
47,2,,172168-17600,, "CONNECTOR PT3/8-M16",1,1,,,,,,,,,  
48,2,,172165-17610,, "HOSE, HEATER",2,2,,,,,,,,,  
49,3,,172151-17610,, "HOSE, HEATER",2,2,,,,,,,,,  
50,3,,172165-17620,, TUBE,2,2,,,,,,,,,  
51,2,,172444-17610,, "PLATE,HEATER",1,1,,,,,,,,,  
52,2,,172444-17620,, "SEAL 125",2,2,,,,,,,,,  
53,2,,172137-17631,, "JOINT, HEATER",1,1,,,,,,,,,  
54,2,,172425-17630,, "VALVE ASSY, HEATER",1,1,,,,,,,,,  
55,2,,172124-17640,, "JOINT 3/8",1,1,,,,,,,,,  
56,2,,172444-17650,, SPONGE,1,1,,,,,,,,,  
57,2,,172444-17660,, CLIP,2,2,,,,,,,,,  
58,2,,172444-17670,, "SPONGE A",1,1,,,,,,,,,  
59,2,,172444-17690,, "SPONGE C",1,1,,,,,,,,,  
60,2,,172165-18770,, "GUIDE, HOSE",1,1,,,,,,,,,  
61,2,,124465-44950,, "GASKET 16",2,2,,,,,,,,,  
62,2,,172162-61870,, "RUBBER 200,EDGE",1,1,,,,,,,,,  
63,2,,172444-62390,, COVER,1,1,,,,,,,,

64,2,,172444-62480,,COVER,1,1,,,,,,,,,,,,,  
65,2,,172519-63240,, "BOLT 8X 16",2,2,,,,,,,,,,,,,  
66,2,,172142-76290,, "GROMMET 28X2.3",1,1,,,,,,,,,,,,,  
67,2,,119247-77100,, "RELAY, SAFETY",1,1,,,,,,,,,,,,,  
68,2,,197830-88611,,GRILLE,1,1,,,,,,,,,,,,,  
69,2,,22137-100000,, "WASHER 10,POLISHED",3,3,,,,,,,,,,,,,  
70,2,,22869-400160,,SCREW,4,4,,,,,,,,,,,,,  
71,2,,23000-022000,, "CLAMP 22",4,4,,,,,,,,,,,,,  
72,2,,23010-038000,, "CLAMP 38",2,2,,,,,,,,,,,,,  
73,2,,26013-080162,, "BOLT W/WASHER M8X16",2,2,,,,,,,,,,,,,  
74,2,,26013-100162,, "BOLT M10X 16",3,3,,,,,,,,,,,,,  
75,2,,26022-060122,, "SCREW M 6X 12",1,1,,,,,,,,,,,,,  
76,2,,933152-09280,, "BAND 170",1,1,,,,,,,,,,,,,

172444-08160  
ヒータキット  
HEATER KIT  
(M/#30987~)

1

Fig. 15 電装品 (機器)  
ELECTRIC PART (EQUIPMENT)

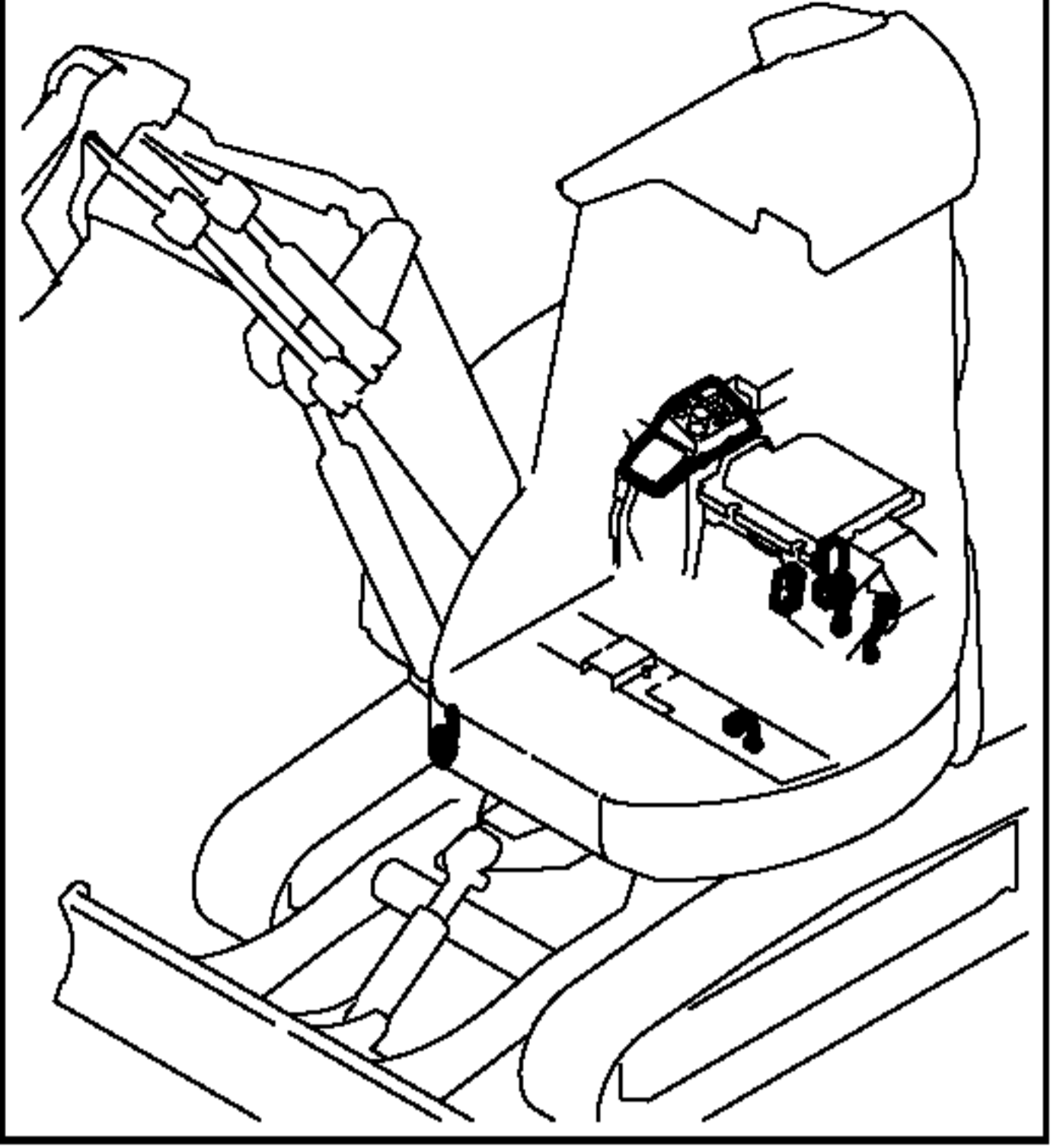


Fig. 17 ヒーター  
HEATER

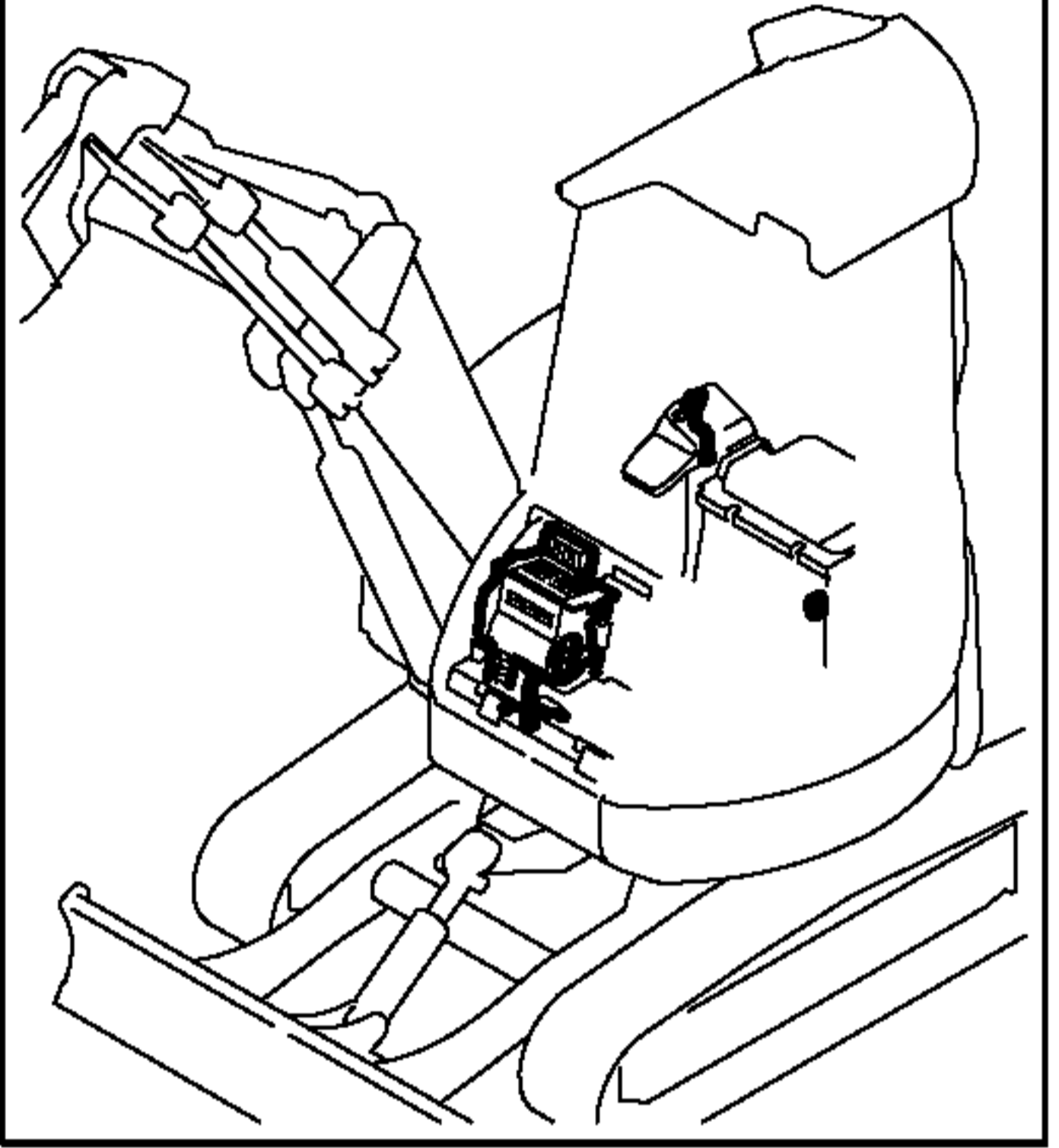
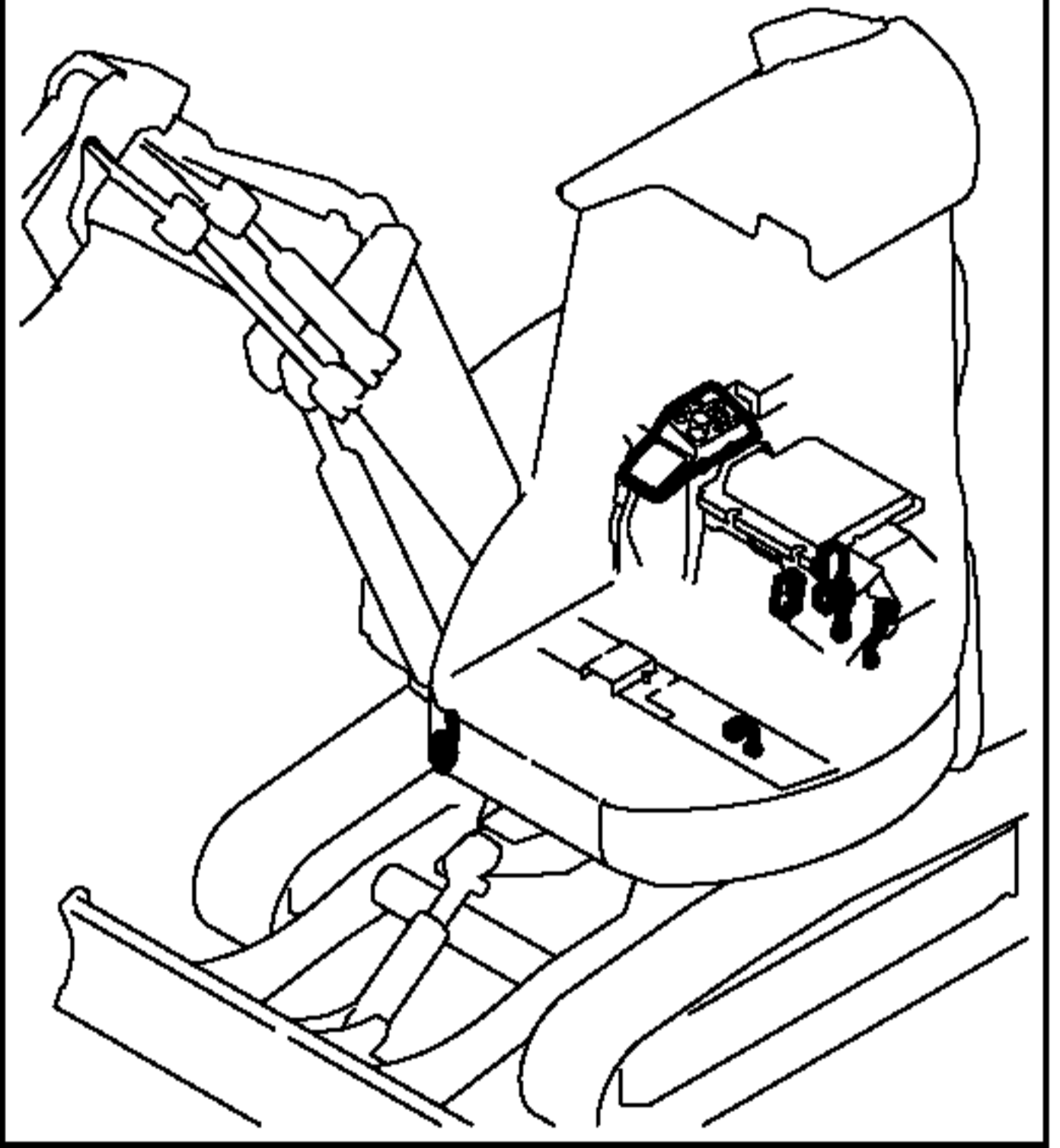


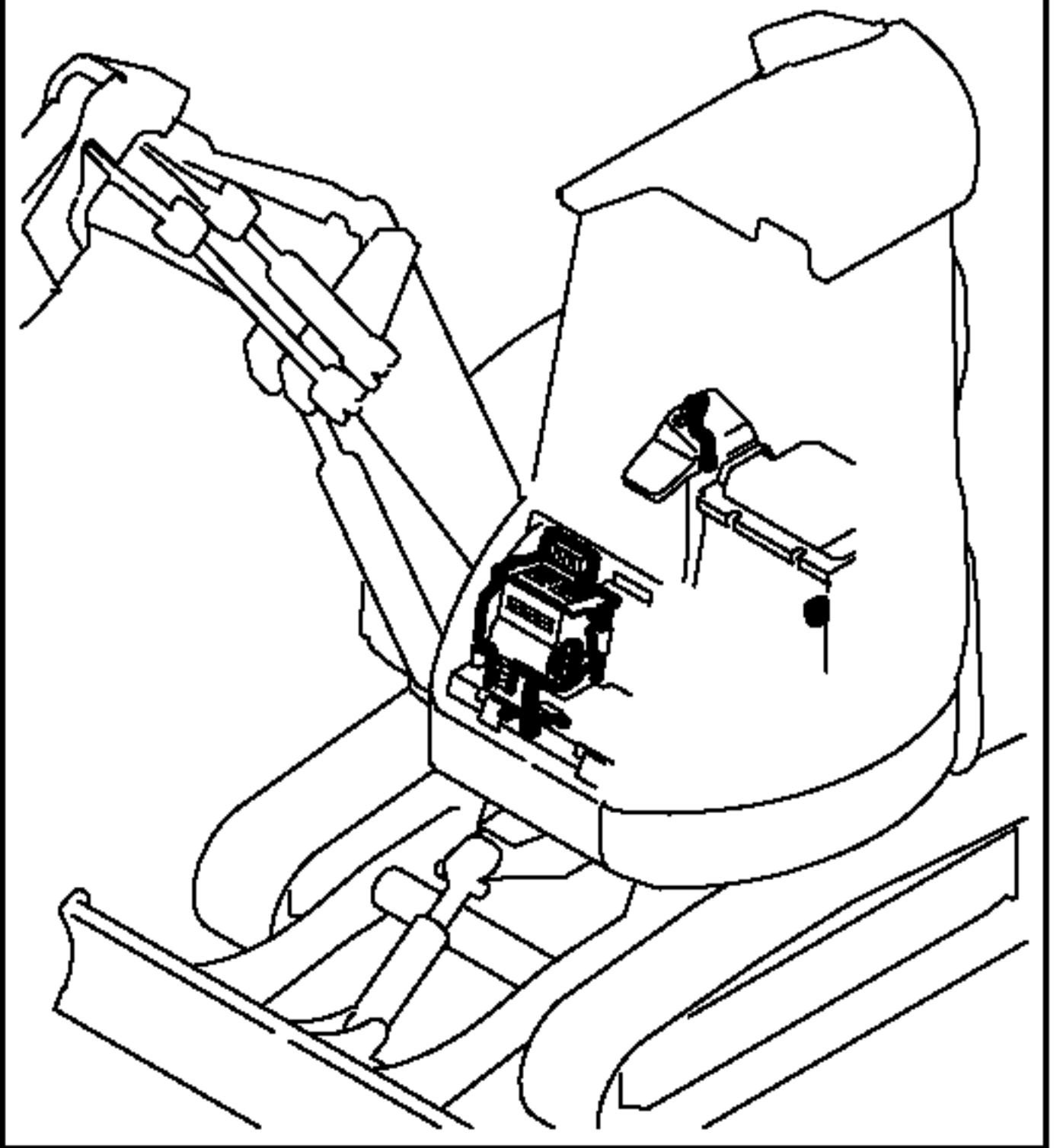
Fig. 15 電装品 (機器)  
ELECTRIC PART (EQUIPMENT)



39

172444-08170  
ヒータキット (B)  
HEATER KIT, B  
(~M/#30986)

Fig. 17 ヒーター  
HEATER

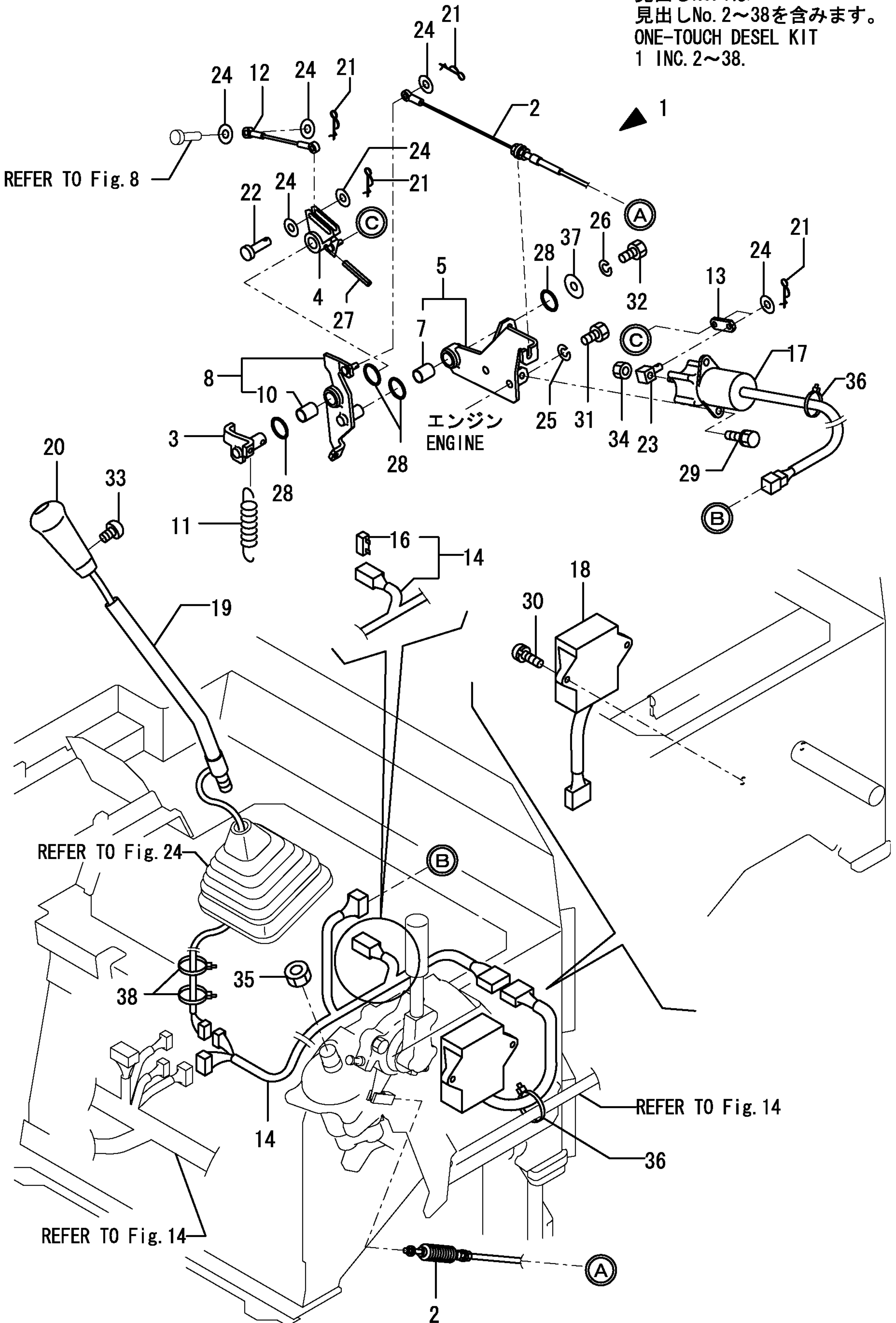


1,1,,172444-08200,, "DECEL KIT",1,1,1,,,,,,,,,,,,,  
2,2,,172444-12110,, "CABLE,ACCELERATOR",1,1,1,,,,,,,,,,,,,  
3,2,,172175-12200,, SHAFT,1,1,1,,,,,,,,,,,,,  
4,2,,172175-12230,, "LINK A",1,1,1,,,,,,,,,,,,,  
5,2,,172175-12260,, "BASE CMP",1,1,1,,,,,,,,,,,,,  
7,3,,24550-014200,, "BUSH 14X20",1,1,1,,,,,,,,,,,,,  
8,2,,172175-12310,, "LINK B",1,1,1,,,,,,,,,,,,,  
10,3,,24550-014200,, "BUSH 14X20",1,1,1,,,,,,,,,,,,,  
11,2,,172175-12350,, "SPRING, RETURN",1,1,1,,,,,,,,,,,,,  
12,2,,172175-12360,, "CABLE, ACCELERATOR",1,1,1,,,,,,,,,,,,,  
13,2,,172175-12370,, PLATE,1,1,1,,,,,,,,,,,,,  
14,2,,172444-16560,, HARNESS,1,1,1,,,,,,,,,,,,,  
16,3,,29420-200000,, HUSE,2,2,2,,,,,,,,,,,,,  
17,2,,172162-17180,, SOLENOID,1,1,1,,,,,,,,,,,,,  
18,2,,172190-17220,, "RELEY, TIMER",1,1,1,,,,,,,,,,,,,  
19,2,,172190-45080-1,, "LEVER L CMP(DECEL(73",1,1,1,,,,,,,,,,,,,  
20,2,,172176-47870,, KNOB,1,1,1,,,,,,,,,,,,,  
21,2,,1C6281-52310,, "PIN 6,COME-OFF SNAP",5,5,5,,,,,,,,,,,,,  
22,2,,1A3809-56915,, "PIN 6X 20",1,1,1,,,,,,,,,,,,,  
23,2,,119620-66820,, JOINT,1,1,1,,,,,,,,,,,,,  
24,2,,22137-060000,, "WASHER 6, POLISHED",7,7,7,,,,,,,,,,,,,  
25,2,,22217-080000,, "SPRING WASHER 8",2,2,2,,,,,,,,,,,,,  
26,2,,22217-100000,, "SPRING WASHER 10",1,1,1,,,,,,,,,,,,,  
27,2,,22351-040025,, "PIN 4X25,SPRING",1,1,1,,,,,,,,,,,,,  
28,2,,24311-000210,, "O-RING 1A P-21.0",4,4,4,,,,,,,,,,,,,  
29,2,,26013-060162,, "BOLT M 6X 16",2,2,2,,,,,,,,,,,,,  
30,2,,26022-060252,, "SCREW M 6X 25",2,2,2,,,,,,,,,,,,,  
31,2,,26116-080162,, "BOLT 8X16",2,2,2,,,,,,,,,,,,,  
32,2,,26116-100162,, "BOLT M10X 16 PLATED",1,1,1,,,,,,,,,,,,,  
33,2,,26587-040062,, "SCREW M 4X 6",1,1,1,,,,,,,,,,,,,  
34,2,,26716-060002,, "NUT 6",1,1,1,,,,,,,,,,,,,  
35,2,,26736-140002,, "NUT M14",1,1,1,,,,,,,,,,,,,  
36,2,,933152-09280,, "BAND 170",5,5,5,,,,,,,,,,,,,  
37,2,,933166-17730,, "WASHER 10.5X30",1,1,1,,,,,,,,,,,,,  
38,2,,933168-55770,, "BAND 146",2,2,2,,,,,,,,,,,,,



172444-08200  
 ワンタッチデセルキット  
 見出しNo. 1は  
 見出しNo. 2~38を含みます。  
 ONE-TOUCH DESEL KIT  
 1 INC. 2~38.

REFER TO Fig. 8



1,1,,172444-08510,, "M4-KIT (4-WAY MULTI)",1,1,1,,,,,1,,,,,  
2,2,,172444-03290,,MAGNET,1,1,1,,,,,  
3,2,,172151-03551,,LABEL,1,1,1,,,,,  
4,2,,172151-74601,,VALVE,1,1,1,,,,,  
5,3,,182900-16530,, "COVER, UNDER",1,1,1,,,,,  
6,3,,182900-22300,,SPRING,1,1,1,,,,,  
7,3,,172151-74740,, "PLATE, MARK",1,1,1,,,,,  
8,3,,182900-77190,,BOLT,8,8,8,,,,,  
9,3,,182900-77200,,BOLT,8,8,8,,,,,  
10,3,,182900-77210,, "DUST SEAL",1,1,1,,,,,  
11,3,,182900-77220,,COVER,1,1,1,,,,,  
12,3,,182900-77230,, "WING BOLT",1,1,1,,,,,  
13,3,,182900-77240,,BOLT,2,2,2,,,,,  
14,3,,182900-77250,,LEVER,1,1,1,,,,,  
15,3,,24190-100001,, "BALL 5/16, STEEL",1,1,1,,,,,  
16,3,,24311-000280,, "O-RING 1A P-28.0",1,1,1,,,,,  
17,3,,24321-000600,, "O-RING 1A G-60.0",2,2,2,,,,,  
18,3,,953KM0-00220,,WASHER,2,2,2,,,,,  
19,3,,953KM0-00220,,WASHER,1,1,1,,,,,  
20,3,,953KM0-10894,, "PLUG, PT1/8",1,1,1,,,,,  
21,2,,172173-76101,, "CONNECTOR PF1/4-45",2,2,2,,,,,  
22,2,,172123-76120,, "ADAPTER PF1/2",8,8,8,,,,,  
23,2,,172141-76180,,CONNECTOR,6,6,6,,,,,  
24,3,,24315-000110,, "O-RING 1B P-11.0",6,6,6,,,,,  
25,2,,172444-78620,,HOSE,1,1,1,,,,,  
26,2,,172444-78630,,HOSE,1,1,1,,,,,  
27,2,,172444-78640,,HOSE,1,1,1,,,,,  
28,2,,172444-78650,,HOSE,1,1,1,,,,,  
29,2,,172444-78680,,HOSE,1,1,1,,,,,  
30,2,,172444-78690,,HOSE,1,1,1,,,,,  
31,2,,172444-78700,,HOSE,1,1,1,,,,,  
32,2,,172444-78710,,HOSE,1,1,1,,,,,  
33,2,,172444-78720,,HOSE,1,1,1,,,,,  
34,2,,172444-78730,,HOSE,1,1,1,,,,,  
35,2,,172444-78740,,HOSE,1,1,1,,,,,  
36,2,,172444-78750,,HOSE,1,1,1,,,,,  
37,2,,172444-78760,,HOSE,1,1,1,,,,,  
38,2,,172444-78770,,HOSE,1,1,1,,,,,  
39,2,,172444-78780,,HOSE,1,1,1,,,,,  
40,2,,172444-78790,,HOSE,1,1,1,,,,,  
41,2,,172122-79930,, "CLAMP B",6,6,6,,,,,  
42,2,,24315-000110,, "O-RING 1B P-11.0",8,8,8,,,,,  
43,2,,26013-100202,, "BOLT W/WASHER M10X20",3,3,3,,,,,

Fig. 70 4ウェイロータリーバルブ  
(マルチチェンジ仕様)  
4-WAY ROTARY VALVE  
(MULTI CHANGE SPEC.)

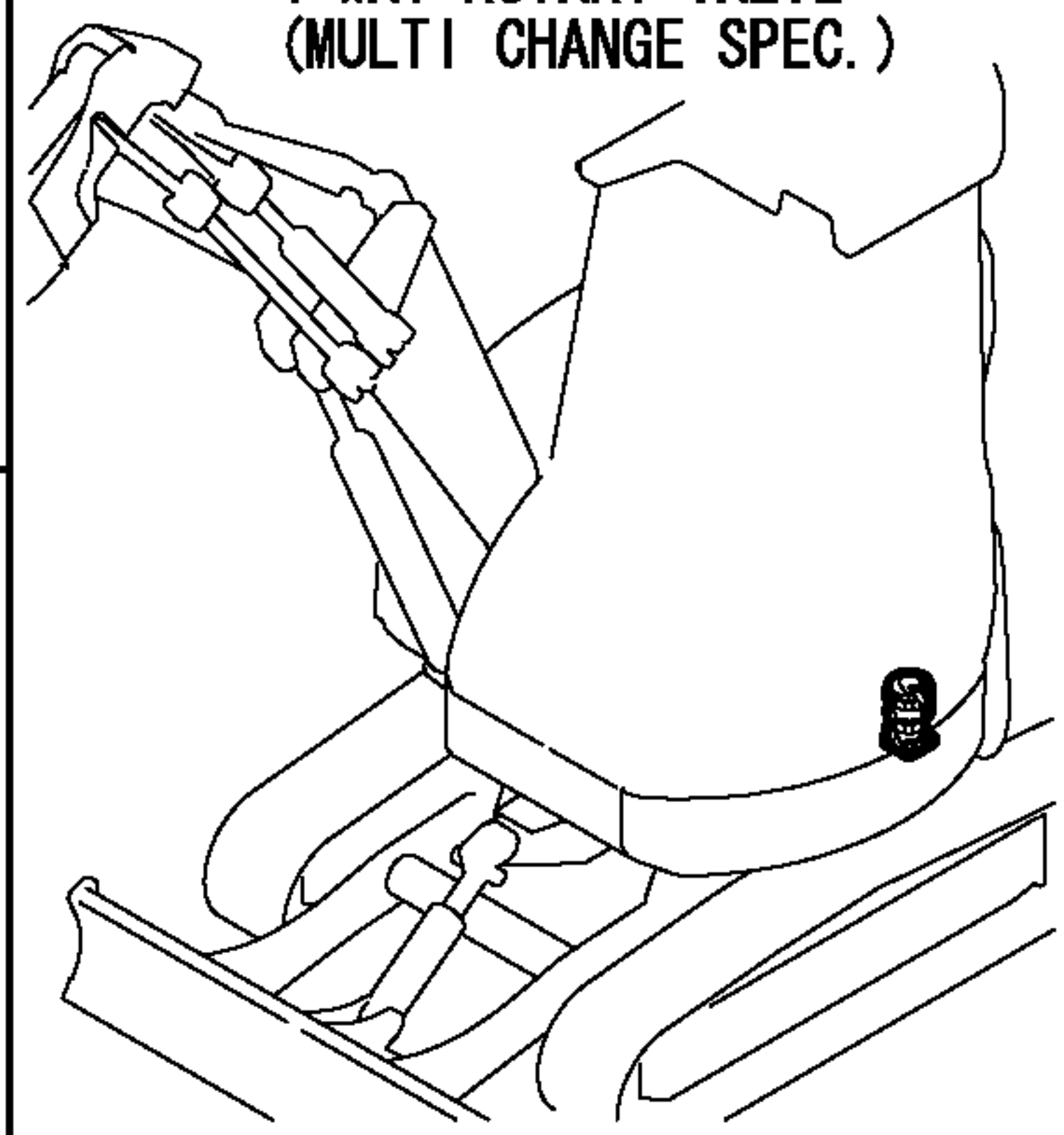


Fig. 90 コントロール配管  
(リモコンV~4ウェイロータリーV)  
CONTROL PIPING  
(REMOTE CONTROL V.  
~4-WAY ROTARY V.)

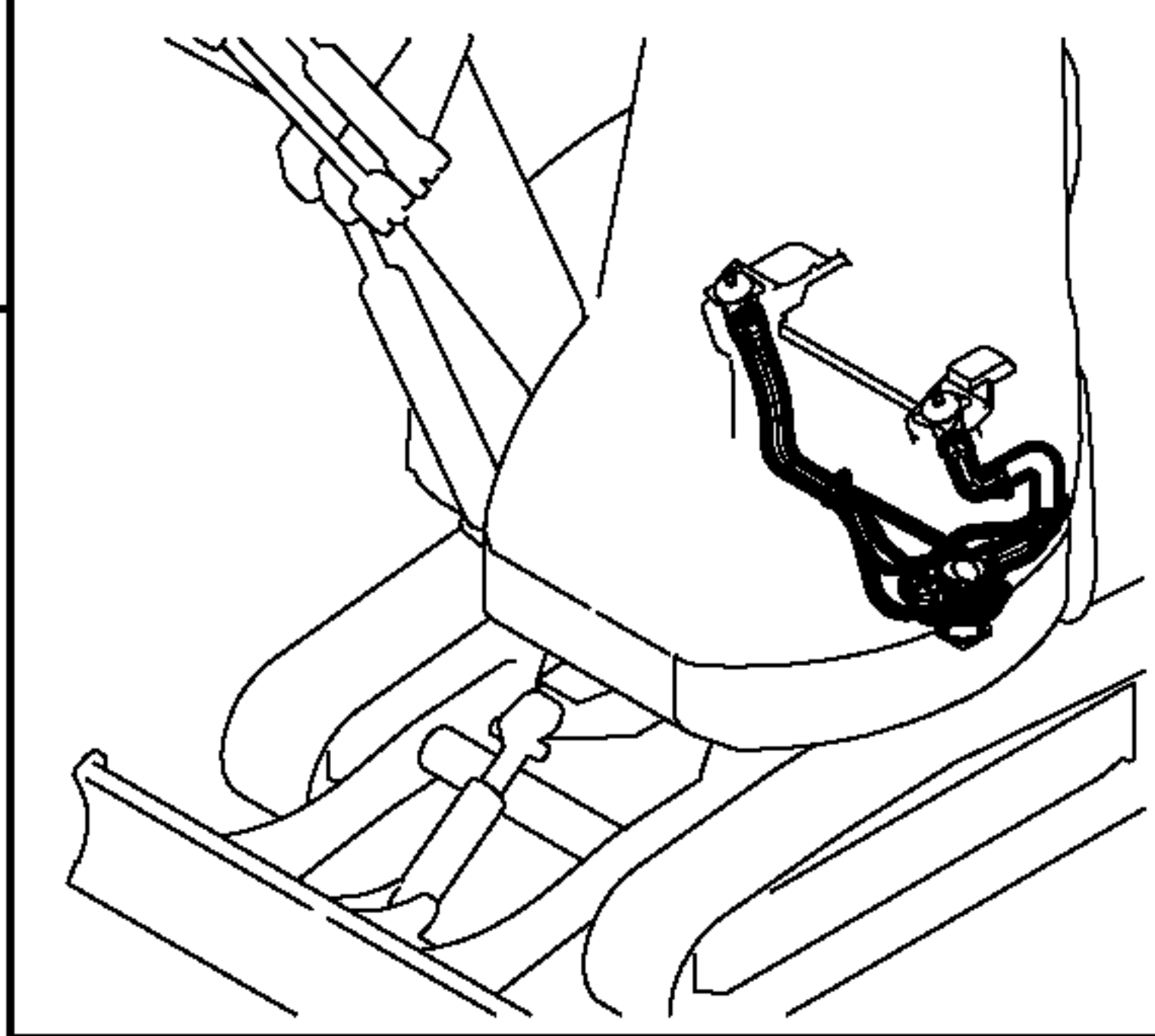
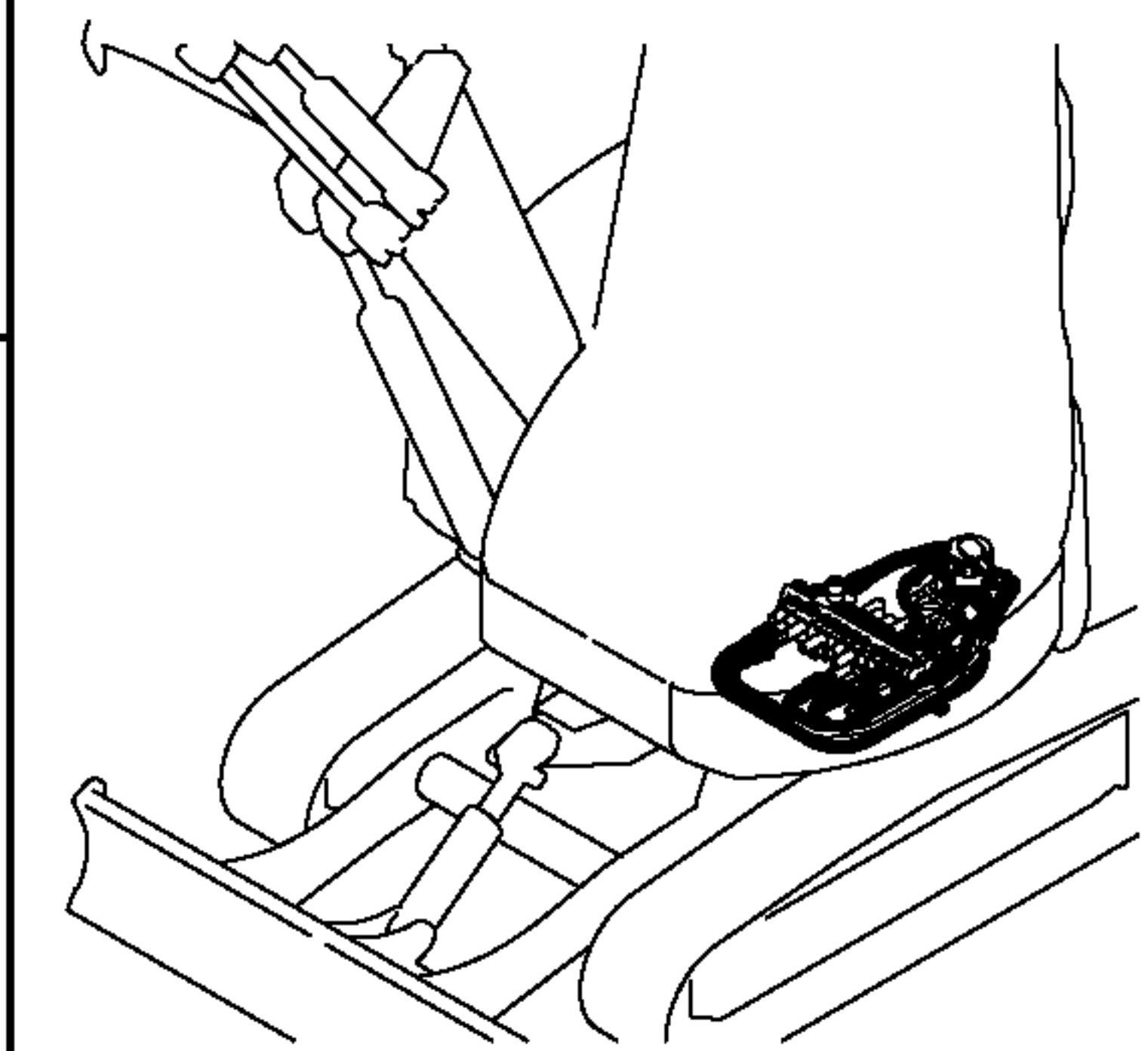


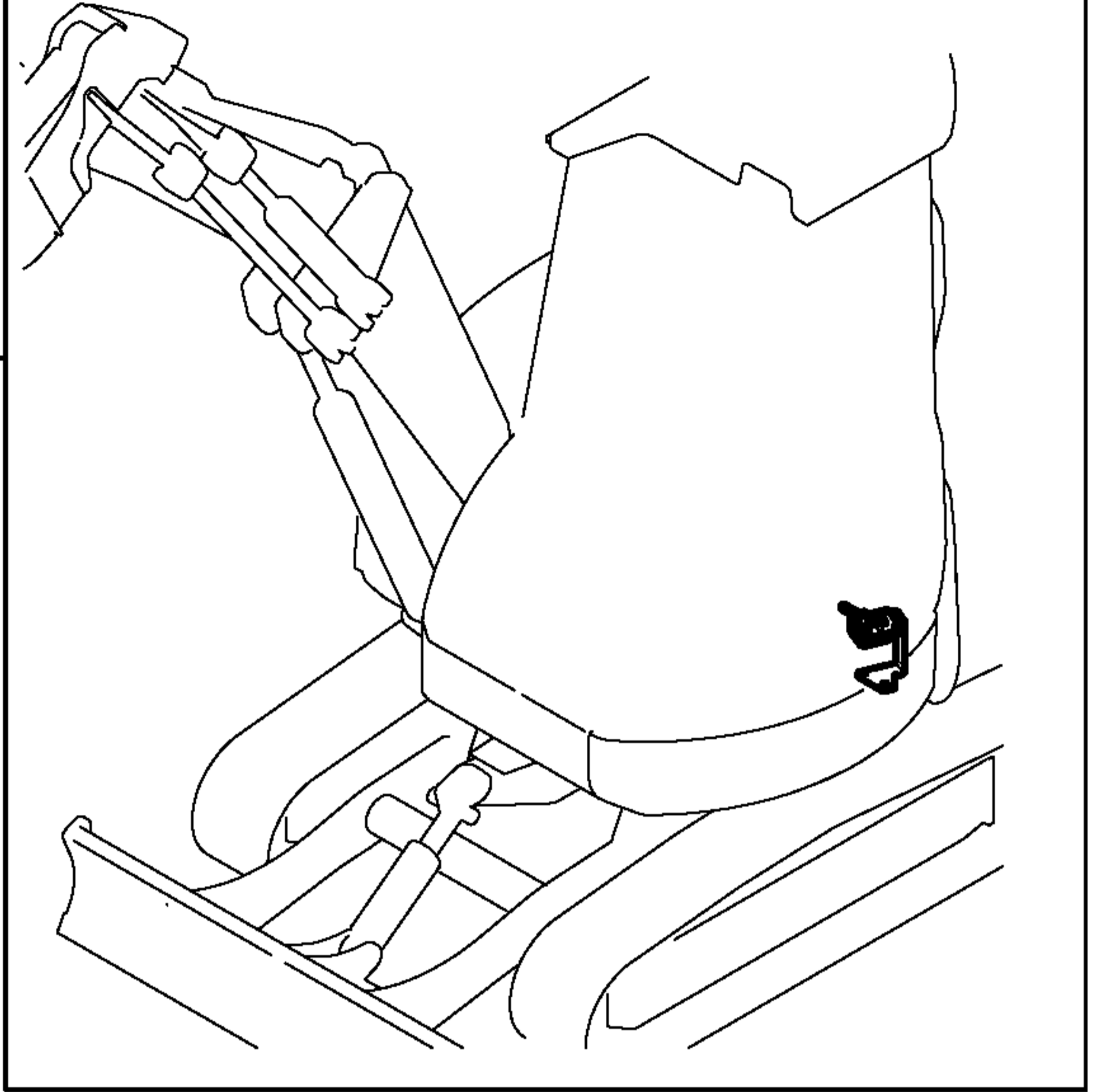
Fig. 91 コントロール配管  
(4ウェイロータリーV~コントロールV)  
CONTROL PIPING  
(4-WAY ROTARY V. ~  
CONTROL V.)



172444-08510  
4ウェイマルチバルブキット  
4-WAY MULTI VALVE KIT

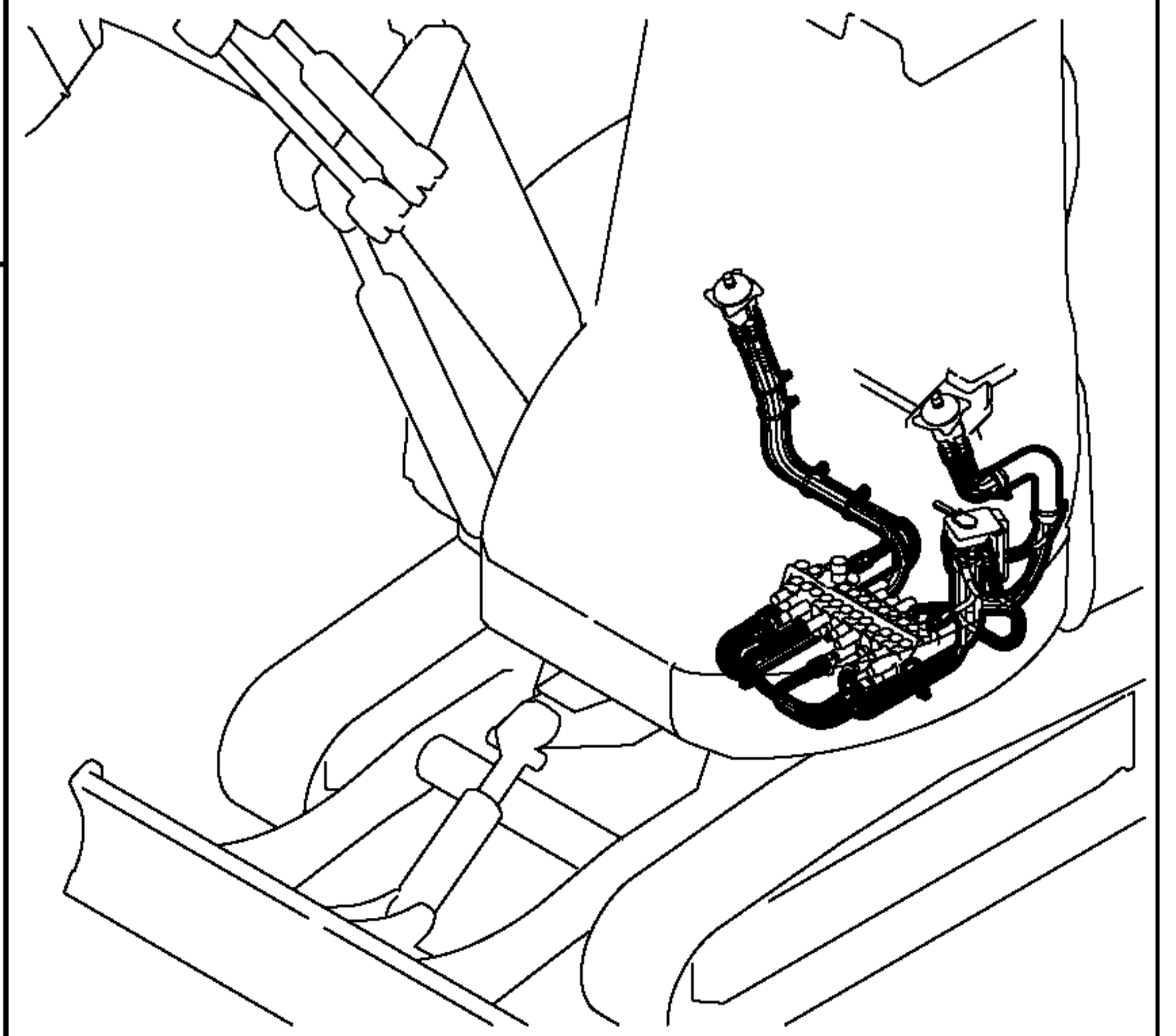
1,1,,172444-08520,, "M2-KIT (2-WAY MULTI)",1,1,1,,,,,1,,,,,  
2,2,,172444-03290,,MAGNET,1,1,1,,,,,  
3,2,,172173-03550,, "LABEL (2-WAY",1,1,1,,,,,  
4,2,,172173-03560,, "LABEL (YANMAR",1,1,1,,,,,  
5,2,,172173-03570,, "LABEL (KOMATSU",1,1,1,,,,,  
6,2,,172444-74500,,MOUNT,1,1,1,,,,,  
7,2,,172173-74600,, "2-WAY MULTI-VALVE",1,1,1,,,,,  
8,3,,172173-74610,,PLATE,1,1,1,,,,,  
9,3,,172175-74720,,GASKET,1,1,1,,,,,  
10,3,,172175-74730,,LEVER,1,1,1,,,,,  
11,3,,172151-74760,,WASHER,7,7,7,,,,,  
12,3,,23871-010000,, "PLUG PT1/8,SCREW",8,8,8,,,,,  
13,3,,24311-000250,, "O-RING 1A P-25.0",1,1,1,,,,,  
14,3,,24311-000320,, "O-RING 1A P-32.0",1,1,1,,,,,  
15,3,,26116-060162,, "BOLT 6X16",6,6,6,,,,,  
16,3,,26647-060202,, "WING BOLT M 6X20",1,1,1,,,,,  
17,2,,172444-79100,, "HOSE F403BB089S",1,1,1,,,,,  
18,2,,172444-79200,, "HOSE G604BE050S",1,1,1,,,,,  
19,2,,172444-79210,, "HOSE F403BB084S",2,2,2,,,,,  
20,2,,172444-79220,, "HOSE F403BB071S",1,1,1,,,,,  
21,2,,172444-79230,, "HOSE F403BC027",1,1,1,,,,,  
22,2,,172444-79240,, "HOSE F403BB084S",1,1,1,,,,,  
23,2,,172444-79250,, "HOSE F403BB084S",1,1,1,,,,,  
24,2,,172122-79930,, "CLAMP B",3,3,3,,,,,  
25,2,,23391-020000,, "JOINT RGI1/4",6,6,6,,,,,  
26,2,,23394-020000,, "JOINT 45RGI1/4",2,2,2,,,,,  
27,2,,26013-080252,, "BOLT M 8X 25",2,2,2,,,,,  
28,2,,26013-100252,, "BOLT W/WASHER M10X25",2,2,2,,,,,

Fig. 71 2ウェイロータリーバルブ  
2-WAY ROTARY VALVE



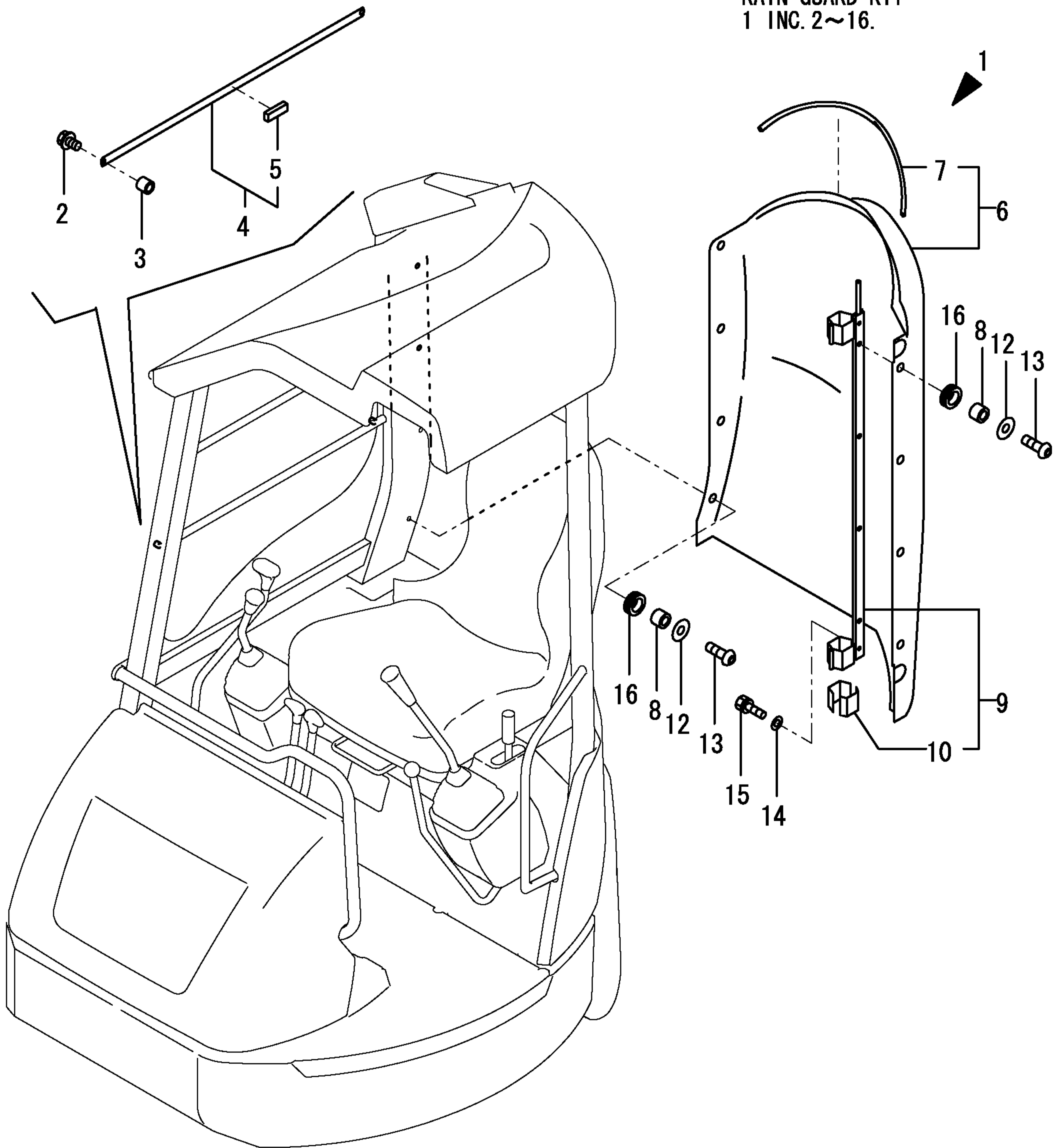
172444-08520  
2ウェイマルチバルブキット  
2-WAY MULTI VALVE KIT

Fig. 92 コントロール配管  
(リモコンV~2ウェイロータリーV~コントロールV)  
CONTROL PIPING  
(REMOTE CONTROL V.  
~2-WAY ROTARY V. ~CONTROL V.)



1,1,,172444-08600,, "GUARD KIT, RAIN",1,1,,,,,,,,,,,,,,,,,,,,,  
2,2,,172162-68370,, BOLT,2,2,,,,,,,,,,,,,,,,,,,,,  
3,2,,172445-68410,, "NUT M8",2,2,,,,,,,,1,,,,,,,,,,,,,  
4,2,,172444-68670,, "SUPPORT ASSY",1,1,,,,,,,,,,,,,,,,,,,,,  
5,3,,172445-68440,, "SEAL,PROTECTOR",1,1,,,,,,,,,,,,,,,,,,,,,  
6,2,,172444-68790,, "GUARD ASSY, RAIN",1,1,,,,,,,,,,,,,,,,,,,,,  
7,3,,172444-68810,, "RUBBER,SEAL",1,1,,,,,,,,,,,,,,,,,,,,,  
8,2,,172445-68810,, "BUSH 10.3X17.3X13",8,8,,,,,,,,,,,,,,,,,,,,,  
9,2,,172445-68820,, "BRACKET,HANGER ASSY",1,1,,,,,,,,,,,,,,,,,,,,,  
10,3,,172445-68790,, RUBBER,4,4,,,,,,,,,,,,,,,,,,,,,  
12,2,,172445-68840,, "COLLAR 11X26X2.3",8,8,,,,,,,,,,,,,,,,,,,,,  
13,2,,172445-68950,, "BOLT 10X 30",8,8,,,,,,,,,,,,,,,,,,,,,  
14,2,,22137-080000,, "WASHER 8, POLISHED",2,2,,,,,,,,,,,,,,,,,,,,,  
15,2,,26013-080202,, "BOLT W/WASHER M8X20",2,2,,,,,,,,,,,,,,,,,,,,,  
16,2,,29311-164000,, GROMMET,8,8,,,,,,,,,,,,,,,,,,,,,

172444-08600  
レインガードキット  
見出しNo. 1は  
見出しNo. 2~16を含みます。  
RAIN GUARD KIT  
1 INC. 2~16.





[ Info ]

PcNo=Y00K3612

PcName=B3-3(B6171)

JpnUse=1

JpnSec1=㊦<@

JpnSec2=fofbfNfz [

JpnSec3=B

JpnPreface=1

EngUse=1

EngSec1=CONSTRUCTION

EngSec2=EXCAVATOR (B)

EngSec3=B

EngPreface=1

0,Y00K3612

1,001,, "VEHICLE B3-3"  
2,1,, LABEL(CABIN), "B3-3 P", "B3-3A P", "B3-3A C",  
2,2,, LABEL(CANOPY), "B3-3 P", "B3-3A P", "B3-3A C",  
2,3,, "SAFETY LABEL(CABIN)", "B3-3 P", "B3-3A P", "B3-3A C",  
2,4,, "SAFETY LABEL(CANOPY)", "B3-3 P", "B3-3A P", "B3-3A C",  
2,5,, TOOL, "B3-3 P", "B3-3A P", "B3-3A C",  
2,6,, MUFFLER, "B3-3 P", "B3-3A P", "B3-3A C",  
2,7,, "AIR CLEANER", "B3-3 P", "B3-3A P", "B3-3A C",  
2,8,, "ACCELERTOR LEVER", "B3-3 P", "B3-3A P", "B3-3A C",  
2,9,, "ENGINE MOUNT", "B3-3 P", "B3-3A P", "B3-3A C",  
2,10,, "RADIATOR & MOUNT", "B3-3 P", "B3-3A P", "B3-3A C",  
2,11,, "FUEL TANK", "B3-3 P", "B3-3A P", "B3-3A C",  
2,12,, "FUEL LINE", "B3-3 P", "B3-3A P", "B3-3A C",  
2,13,, BATTERY, "B3-3 P", "B3-3A P", "B3-3A C",  
2,14,, "ELECTRIC PART(WIRING)", "B3-3 P", "B3-3A P", "B3-3A C",  
2,15,, "ELECTRIC PART(EQUIPMENT)", "B3-3 P", "B3-3A P", "B3-3A C",  
2,16,, "WORK LAMP", "B3-3 P", "B3-3A P", "B3-3A C",  
2,17,, HEATER, "B3-3 P", "B3-3A P", "B3-3A C",  
2,18,, "SPROCKET & ROLLER(PREVIOUS)", "B3-3 P", "B3-3A P", "B3-3A C",  
2,19,, "SPROCKET & ROLLER(NEW)", "B3-3 P", "B3-3A P", "B3-3A C",  
2,20,, "IDLER & CRAWLER ADJUST(PREVIOUS)", "B3-3 P", "B3-3A P", "B3-3A C",  
2,21,, "IDLER & CRAWLER ADJUST(NEW)", "B3-3 P", "B3-3A P", "B3-3A C",  
2,22,, CRAWLER, "B3-3 P", "B3-3A P", "B3-3A C",  
2,23,, "CONTROL EQUIPMENT(LOCK LEVER & STAND)", "B3-3 P", "B3-3A P", "B3-3A C",  
2,24,, "CONTROL EQUIPMENT(OPERATION)", "B3-3 P", "B3-3A P", "B3-3A C",  
2,25,, "CONTROL EQUIPMENT(TRAVEL)", "B3-3 P", "B3-3A P", "B3-3A C",  
2,26,, "CONTROL EQUIPMENT(OFFSET)", "B3-3 P", "B3-3A P", "B3-3A C",  
2,27,, "CONTROL EQUIPMENT(BLADE)", "B3-3 P", "B3-3A P", "B3-3A C",  
2,28,, "CONTROL EQUIPMENT(LOW-HIGH PEDAL)", "B3-3 P", "B3-3A P", "B3-3A C",  
2,29,, "CONTROL EQUIPMENT(P.T.O. CONTROL)", "B3-3 P", "B3-3A P", "B3-3A C",  
2,30,, "TURNING FRAME", "B3-3 P", "B3-3A P", "B3-3A C",  
2,31,, "TRACK FRAME & TURNING BEARING(PREVIOUS)", "B3-3 P", "B3-3A P", "B3-3A C",  
2,32,, "TRACK FRAME & TURNING BEARING(NEW)", "B3-3 P", "B3-3A P", "B3-3A C",  
2,33,, COVER(FRAME), "B3-3 P", "B3-3A P", "B3-3A C",  
2,34,, "COVER(AROUND THE CONTROL)", "B3-3 P", "B3-3A P", "B3-3A C",  
2,35,, COVER(BOOM), "B3-3 P", "B3-3A P", "B3-3A C",  
2,36,, "STEP & INSTRUMENT PANEL", "B3-3 P", "B3-3A P", "B3-3A C",  
2,37,, "SEAT & SEAT MOUNT", "B3-3 P", "B3-3A P", "B3-3A C",  
2,38,, BONNET, "B3-3 P", "B3-3A P", "B3-3A C",  
2,39,, CABIN(FRAME), "B3-3 P", "B3-3A P", "B3-3A C",  
2,40,, "CABIN(FRONT WINDOW)", "B3-3 A", "B3-3A P", "B3-3A C",  
2,41,, CABIN(WINDOW), "B3-3 P", "B3-3A P", "B3-3A C",  
2,42,, CABIN(DOOR), "B3-3 P", "B3-3A P", "B3-3A C",  
2,43,, CABIN(ACCESSORY), "B3-3 P", "B3-3A P", "B3-3A C",  
2,44,, CANOPY, "B3-3 P", "B3-3A P", "B3-3A C",  
2,45,, "HYD.OIL PUMP & JOIN", "B3-3 P", "B3-3A P", "B3-3A C",  
2,46,, "BOOM CYLINDER(CABIN)", "B3-3 P", "B3-3A P", "B3-3A C",  
2,47,, "BOOM CYLINDER(CANOPY)", "B3-3 P", "B3-3A P", "B3-3A C",  
2,48,, "ARM CYLINDER", "B3-3 P", "B3-3A P", "B3-3A C",  
2,49,, "BUCKET CYLINDER(STANDARD BUCKET)", "B3-3 P", "B3-3A P", "B3-3A C",  
2,50,, "BUCKET CYLINDER(B3U BUCKET)", "B3-3 P", "B3-3A P", "B3-3A C",  
2,51,, "BLADE CYLINDER(PREVIOUS)", "B3-3 P", "B3-3A P", "B3-3A C",  
2,52,, "BLADE CYLINDER(NEW)", "B3-3 P", "B3-3A P", "B3-3A C",  
2,53,, "OFFSET CYLINDER", "B3-3 P", "B3-3A P", "B3-3A C",  
2,54,, "TRAVEL MOTOR", "B3-3 P", "B3-3A P", "B3-3A C",  
2,55,, "TURNING MOTOR", "B3-3 P", "B3-3A P", "B3-3A C",  
2,56,, "SWIVEL JOINT", "B3-3 P", "B3-3A P", "B3-3A C",  
2,57,, "CONTROL VALVE(STANDARD:1/6)", "B3-3 P", "B3-3A P", "B3-3A C",  
2,58,, "CONTROL VALVE(STANDARD:2/6)", "B3-3 P", "B3-3A P", "B3-3A C",  
2,59,, "CONTROL VALVE(STANDARD:3/6)", "B3-3 P", "B3-3A P", "B3-3A C",  
2,60,, "CONTROL VALVE(STANDARD:4/6)", "B3-3 P", "B3-3A P", "B3-3A C",  
2,61,, "CONTROL VALVE(STANDARD:5/6)", "B3-3 P", "B3-3A P", "B3-3A C",

2,62,, "CONTROL VALVE(STANDARD:6/6)", "B3-3 P", "B3-3A P", "B3-3A C",  
 2,63,, "CONTROL VALVE(P.T.O.:1/6)", "B3-3 P", "B3-3A P", "B3-3A C",  
 2,64,, "CONTROL VALVE(P.T.O.:2/6)", "B3-3 P", "B3-3A P", "B3-3A C",  
 2,65,, "CONTROL VALVE(P.T.O.:3/6)", "B3-3 P", "B3-3A P", "B3-3A C",  
 2,66,, "CONTROL VALVE(P.T.O.:4/6)", "B3-3 P", "B3-3A P", "B3-3A C",  
 2,67,, "CONTROL VALVE(P.T.O.:5/6)", "B3-3 P", "B3-3A P", "B3-3A C",  
 2,68,, "CONTROL VALVE(P.T.O.:6/6)", "B3-3 P", "B3-3A P", "B3-3A C",  
 2,69,, "REMOTE CONTROL VALVE", "B3-3 P", "B3-3A P", "B3-3A C",  
 2,70,, "4-WAY ROTARY VALVE", "B3-3 P", "B3-3A P", "B3-3A C",  
 2,71,, "2-WAY ROTARY VALVE", "B3-3 P", "B3-3A P", "B3-3A C",  
 2,72,, "OIL COOLER", "B3-3 P", "B3-3A P", "B3-3A C",  
 2,73,, "HYD.OIL TANK", "B3-3 P", "B3-3A P", "B3-3A C",  
 2,74,, "HYD.OIL PIPING(TANK - PUMP - CONTROL VALVE)", "B3-3 P", "B3-3A P", "B3-3A C",  
 2,75,, "HYD.OIL PIPING(TANK - PUMP - CONTROL VALVE)(P.T.O.)", "B3-3 P", "B3-3A P", "B3-3A C",  
 2,76,, "HYD.OIL PIPING(PUMP,CONTROL VALVE - TURNING MOTOR,BOOM)", "B3-3 P", "B3-3A P", "B3-3A C",  
 2,77,, "HYD.OIL PIPING(PUMP,CONTROL VALVE - TURNING MOTOR,BOOM)(P.T.O.)", "B3-3 P", "B3-3A P", "B3-3A C",  
 2,78,, "HYD.OIL PIPING(PUMP,CONTROL VALVE - SWIVEL)", "B3-3 P", "B3-3A P", "B3-3A C",  
 2,79,, "HYD.OIL PIPING(PUMP,CONTROL VALVE - SWIVEL)(P.T.O.)", "B3-3 P", "B3-3A P", "B3-3A C",  
 2,80,, "HYD.OIL PIPING(RETURN:1)", "B3-3 P", "B3-3A P", "B3-3A C",  
 2,81,, "HYD.OIL PIPING(RETURN:1)(P.T.O.)", "B3-3 P", "B3-3A P", "B3-3A C",  
 2,82,, "HYD.OIL PIPING(RETURN:2)", "B3-3 P", "B3-3A P", "B3-3A C",  
 2,83,, "HYD.OIL PIPING(RETURN:2)(P.T.O.)", "B3-3 P", "B3-3A P", "B3-3A C",  
 2,84,, "HYD.OIL PIPING(P.T.O. FRAME END)", "B3-3 P", "B3-3A P", "B3-3A C",  
 2,85,, "HYD.OIL PIPING(TRACK FRAME)", "B3-3 P", "B3-3A P", "B3-3A C",  
 2,86,, "HYD.OIL PIPING(BOOM)", "B3-3 P", "B3-3A P", "B3-3A C",  
 2,87,, "HYD.OIL PIPING(P.T.O. ARM END)", "B3-3 P", "B3-3A P", "B3-3A C",  
 2,88,, "CONTROL PIPING(PUMP - CONTROL VALVE - RETURN)", "B3-3 P", "B3-3A P", "B3-3A C",  
 2,89,, "CONTROL PIPING(DIRECT SPEC.)", "B3-3 P", "B3-3A P", "B3-3A C",  
 2,90,, "CONTROL PIPING(REMOTE CONTROL VALVE - 4-WAY ROTARY VALVE)", "B3-3 P", "B3-3A P", "B3-3A C",  
 2,91,, "CONTROL PIPING(4-WAY ROTARY VALVE - CONTROL VALVE)", "B3-3 P", "B3-3A P", "B3-3A C",  
 2,92,, "CONTROL PIPING(REMOTE CONTROL V. - 2-WAY V. - CONTROL V.)", "B3-3 P", "B3-3A P", "B3-3A C",  
 2,93,, "GREASING", "B3-3 P", "B3-3A P", "B3-3A C",  
 2,94,, "BOOM(A)", "B3-3 P", "B3-3A P", "B3-3A C",  
 2,95,, "BOOM(B)", "B3-3 P", "B3-3A P", "B3-3A C",  
 2,96,, "BOOM(C)", "B3-3 P", "B3-3A P", "B3-3A C",  
 2,97,, "ARM(STANDARD SPEC.)", "B3-3 P", "B3-3A P", "B3-3A C",  
 2,98,, "ARM(P.T.O. SPEC.)", "B3-3 P", "B3-3A P", "B3-3A C",  
 2,99,, "ARM(LONG ARM SPEC.)", "B3-3 P", "B3-3A P", "B3-3A C",  
 2,100,, "ARM(B3U BUCKET SPEC.)", "B3-3 P", "B3-3A P", "B3-3A C",  
 2,101,, "BUCKET ARM & LINK", "B3-3 P", "B3-3A P", "B3-3A C",  
 2,102,, "BUCKET ARM & LINK(B3U BUCKET SPEC.)", "B3-3 P", "B3-3A P", "B3-3A C",  
 2,103,, "BUCKET(S-TYPE)", "B3-3A P", "B3-3A P", "B3-3A P", "B3-3A P", "B3-3A P",  
 2,104,, "BUCKET(B3U SPEC.)", "B3-3 P", "B3-3A P", "B3-3A C", "B3-3A P", "B3-3A P",  
 2,105,, "BLADE", "B3-3 P", "B3-3A P", "B3-3A C", "B3-3A P", "B3-3A P",  
 2,106,, "HEATER KIT(OPTIONAL)", "B3-3 P", "B3-3A P", "B3-3A C", "B3-3A P", "B3-3A P",  
 2,107,, "ONE TOUCH DECEL KIT(OPTIONAL)", "B3-3 P", "B3-3A P", "B3-3A C", "B3-3A P", "B3-3A P",  
 2,108,, "4-WAY MULTI VALVE KIT(OPTIONAL)", "B3-3 P", "B3-3A P", "B3-3A C", "B3-3A P", "B3-3A P",  
 2,109,, "2-WAY MULTI VALVE KIT(OPTIONAL)", "B3-3 P", "B3-3A P", "B3-3A C", "B3-3A P", "B3-3A P",  
 2,110,, "RAIN GUARD KIT(OPTIONAL)", "B3-3 P", "B3-3A P", "B3-3A C", "B3-3A P", "B3-3A P"