

# PREFACE

1. This parts catalog covers the parts for crawler backhoe of Europe.

The England specification in the Parts Catalog for B27(England Australia) (Issue No. : 000Y00S3030) has been copied into the Parts Catalog for B27 (Ammann) (Issue No. 000Y00S2890) which will be published as a parts list of European standard specifications. In addition, this parts list containing additional design change will be published in revised addition.

<History>

1ST Edition	pub. No. : 000Y00S2890		
{B27(AMMANN)}	Issued : July, 1989		
1ST Edition	pub. No. : 000Y00S3030		
{B27 (ENGLAND AUSTRALIA)}	Issued : March, 1990		
2ND Edition	pub. No. : 000Y00S2891		
{B27(EUROPE)}	Issued : April, 1991		

2. The Mounted engine of Model 3TN84L-RBS(Q29132B).

3. Color

Color	Munsel No.	Paint Code(16 ℓ )	Spray
YANMAR Saffron Yellow	1.0Y7.5/11	933110-91603	977620-30381
YANMAR Cream White	5.0Y9/1	981101-09614	981101-10140
YANMAR Charcoal Gray	N2	981101-09516	977620-30371

4. As this parts catalog covers the specifications of several countries, the Fig. No. for the applicable countries is shown in the following way.

a) When the applicable figure varies according to the appropriate country(s).

Example 1 :

COUNTRY	UK	AY	EP
Fig. No.	—	19	18

← Abbreviation of the country concerned

UK : United Kingdom Model

AY : Ammann Model

EP : All Eurpe Model

↑  
Fig. number on the page on which the country concerned is shown

In case of Example 1 above, AY(Ammann Model) is shown in Fig. 19 and EP(All Eurpe Model) in Fig. 19. UK(United Kingdom Model) is not applicable.

b) When only one figure is available to be applied to one or more countries.

Example 2 :

COUNTRY	UK	AY	EP	←Abbreviation of the country concerned
APPLICATION	—	○	—	←The country concerned is indicated by a circle (○).

In case of Example 2 AY(Ammann Model) is the applicable country.

(Note)

When the figure or specification is common to all destinations, no indication is given.

# SPECIFICATIONS

Name			<b>YANMAR CRAWLER BACHOE</b>	
Model			<b>B27-P(R)</b>	<b>B27-C(R)</b>
Engine	Model		3TN84L-RBS	
	Type		Vertical 3-cylinder water-cooled diesel	
Dimensions	Transport length	mm	4485	
	Transport width	mm	1470	1500
	Transport height	mm	2360	2385
Std. bucket capacity		m <sup>3</sup>	0.07	
Std. bucket width (Outside)		mm	450	
Max. digging depth		mm	2650 (2800 Blade)	
Max. cutting depth		mm	4620	4120
Max. dump height		mm	3250	2830
Max. reach at ground level		mm	4430	
Min. swing radius		mm	1640 (Right Swing 1240)	1950 (Right Swing 1470)
Boom swing angle		degree	Left 50 • Right 90	
Max. digging force (Std. bucket)		kgf	2050	
Travel speed		kg/h	2.2	
Gradability		degree	30	
Average ground pressure		kgf/cm <sup>2</sup>	0.263 [0.258]	0.274 [0.269]
Track shoe width		mm	320	
Blade	Width × height	mm	1470 × 350	
	Capacity	m <sup>3</sup>	0.18	
Machine mass		kg	2700 [2650]	2820 [2770]

[ ] shows to the specification of rubber crawler.

# 各部の名称 PARTS NAME

メイバン Fig. 1,2,3,4,5  
LABEL  
コウグ.コウグバコ & マニュアルケース Fig. 6  
TOOL. TOOLS BOX & MANUAL CASE

ヒータ & デフロスタ Fig. 17  
HEATER & DEFROSTER  
ステップ、インパネ & シートマウント Fig. 31  
STEP. INSTRUMENT PANEL & SEAT MOUNT

ラジオ Fig. 18  
RADIO  
キャノピ Fig. 33  
CANOPY  
キャビン Fig. 34  
CABIN

デンソウヒン Fig. 14,15  
ELECTRIC PART

サドウユタンク Fig. 52  
HYD. OIL TANK

マフラー Fig. 7  
MUFFLER  
エアクリーナ Fig. 8  
AIR CLEANER  
エンジンマウント Fig. 10  
ENGINE MOUNT  
ラジエータ & マウント Fig. 11  
RADIATOR & MOUNT  
F.O.タンク & F.O.パイプ Fig. 12  
FUEL TANK & FUEL LINE  
ボンネット Fig. 32  
ポンプ & ジックツギテ Fig. 41  
HYD. OIL PUMP & JOINT

ユアツハイカン Fig. 53,54,55,56,57,58,59,60  
HYD. OIL PIPING

ワークランプ Fig. 16  
WORK LAMP  
ブーム & アーム Fig. 62  
BOOM & ARM

アームシリンダ Fig. 37  
ARM CYLINDER

ブームシリンダ Fig. 35,36  
BOOM CYLINDER

スイングシリンダ Fig. 39  
SWING CYLINDER  
エンカクキュウシ Fig. 61  
GREASING

バケット Fig. 63  
BUCKET

ブレード Fig. 64  
BLADE

バケットシリンダ Fig. 38  
BUCKET CYLINDER

ブレードシリンダ Fig. 40  
BLADE CYLINDER

サードバルブ(バルブ) Fig. 51  
3RD VALVE (VALVE)

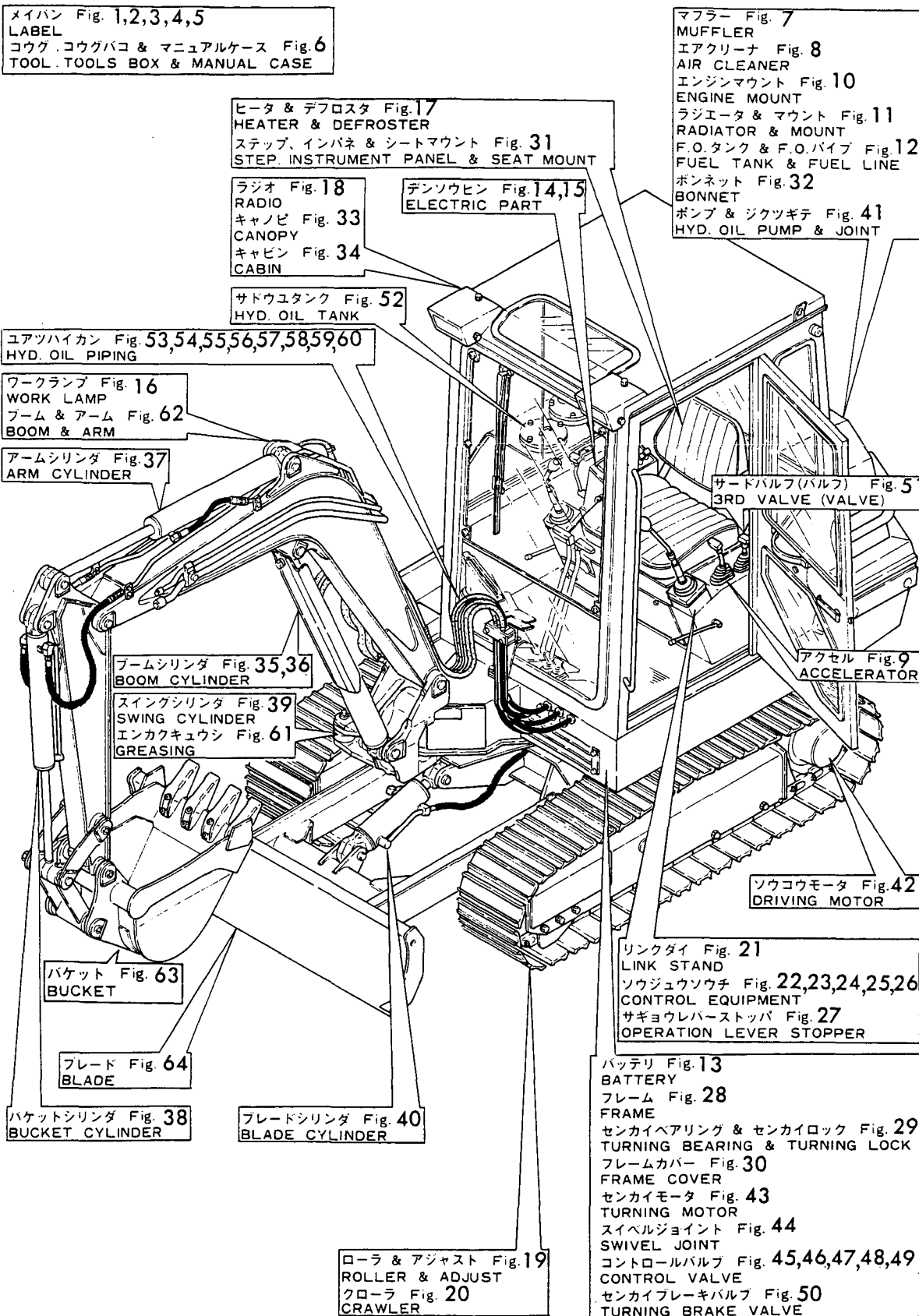
アクセル Fig. 9  
ACCELERATOR

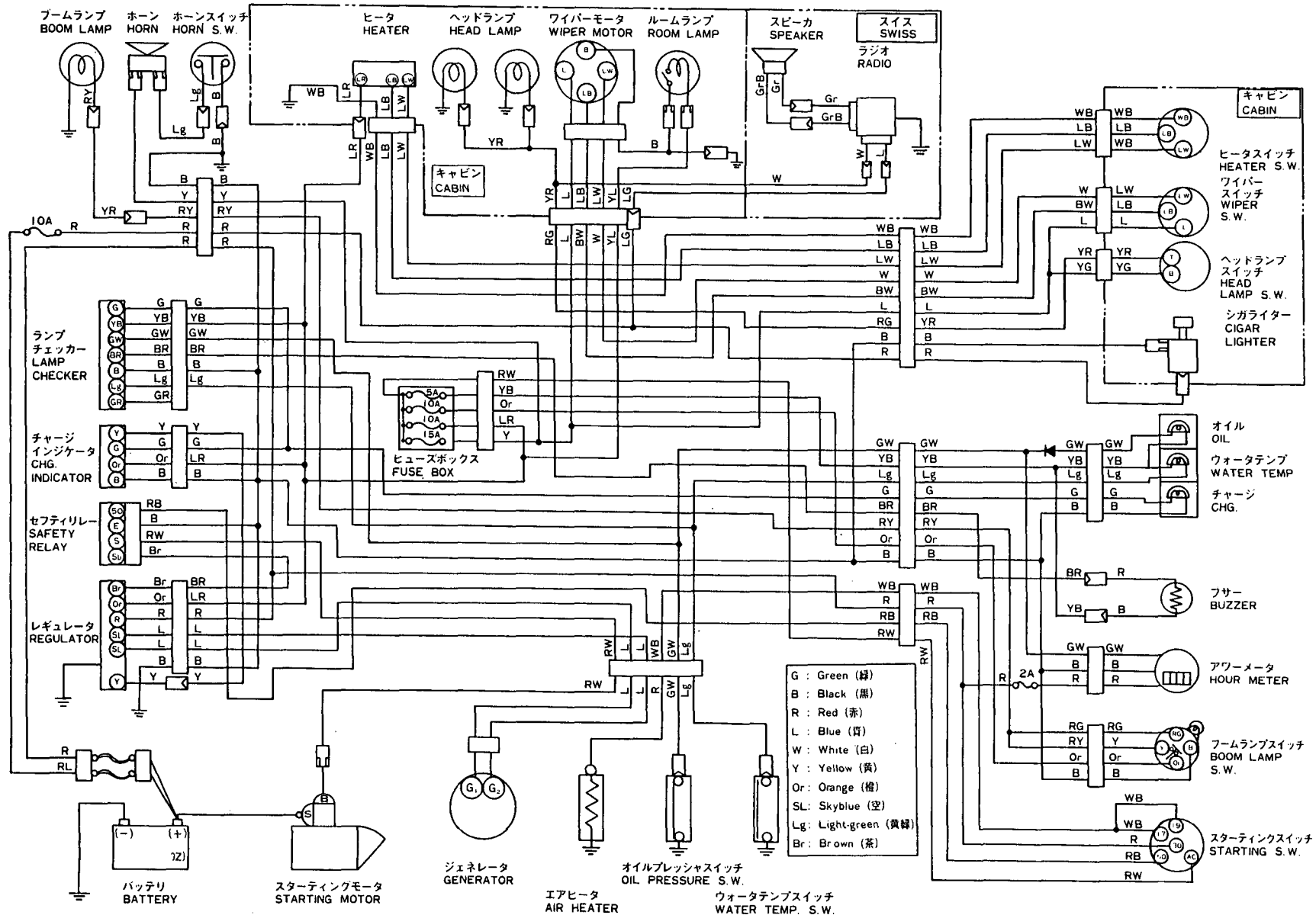
ソコウモータ Fig. 42  
DRIVING MOTOR

リンクダイ Fig. 21  
LINK STAND  
ソウジュウソウチ Fig. 22,23,24,25,26  
CONTROL EQUIPMENT  
サギョウレバーストッパ Fig. 27  
OPERATION LEVER STOPPER

バッテリー Fig. 13  
BATTERY  
フレーム Fig. 28  
FRAME  
センカイベアリング & センカイロック Fig. 29  
TURNING BEARING & TURNING LOCK  
フレームカバー Fig. 30  
FRAME COVER  
センカイモータ Fig. 43  
TURNING MOTOR  
スイベルジョイント Fig. 44  
SWIVEL JOINT  
コントロールバルブ Fig. 45,46,47,48,49  
CONTROL VALVE  
センカイブレーキバルブ Fig. 50  
TURNING BRAKE VALVE

ローラ & アジャスト Fig. 19  
ROLLER & ADJUST  
クローラ Fig. 20  
CRAWLER





配線図  
WIRING DIAGRAM

1A,1,,772142-03700,, "LABEL SET, CABINE",1,,,,,,,,,,,,,  
1B,1,,772142-03701,, "LABEL SET, CABINE EP",,,,,,1,,,,,,,,,,,,,I  
2,2,,172143-03170,, LABEL,1,,,,,1,,,,,,,,,,,,,  
3,2,,172148-03170,, "LABEL, STRIPE(LB)",1,,,,,1,,,,,,,,,,,,,  
4,2,,172143-03180,, LABEL,1,,,,,1,,,,,,,,,,,,,  
5,2,,172148-03180,, "LABEL, STRIPE(REAR A",1,,,,,1,,,,,,,,,,,,,  
6,2,,172148-03190,, "LABEL, STRIPE(REAR B",1,,,,,1,,,,,,,,,,,,,  
7,2,,172148-03200,, "LABEL, STRIPE(REAR C",1,,,,,1,,,,,,,,,,,,,  
8,2,,172143-03210,, LABEL,2,,,,,2,,,,,,,,,,,,,  
9,2,,172148-03210,, "LABEL, STRIPE(RA)",1,,,,,1,,,,,,,,,,,,,  
10,2,,172143-03220,, LABEL,1,,,,,1,,,,,,,,,,,,,  
11,2,,172142-03230,, "LABEL,SPACIFICATION",1,,,,,1,,,,,,,,,,,,,  
12,2,,172142-03240,, "LABEL,OIL/WATER F,G",1,,,,,1,,,,,,,,,,,,,  
13,2,,172143-03240,, LABEL,1,,,,,1,,,,,,,,,,,,,  
14,2,,172148-03240,, "LABEL, PROTECTOR(L)",1,,,,,1,,,,,,,,,,,,,  
15,2,,172148-03250,, "LABEL, PROTECTOR(R)",1,,,,,1,,,,,,,,,,,,,  
16,2,,172143-03260,, "LABEL, OPERATION",1,,,,,1,,,,,,,,,,,,,  
17,2,,172148-03260,, "LABEL, STRIPE(RB)",1,,,,,1,,,,,,,,,,,,,  
18,2,,172142-03270,, "LABEL,MODEL B27",2,,,,,2,,,,,,,,,,,,,  
19,2,,172148-03270,, "LABEL, STRIPE(CA)",1,,,,,1,,,,,,,,,,,,,  
20,2,,172142-03280,, LABEL,1,,,,,1,,,,,,,,,,,,,  
21,2,,172148-03280,, "LABEL, STRIPE(CB)",1,,,,,1,,,,,,,,,,,,,  
22,2,,172137-03290,, "LABEL, NO.1 MARK",1,,,,,1,,,,,,,,,,,,,  
23,2,,172137-03300,, "LABEL, TURNING LOCK",1,,,,,1,,,,,,,,,,,,,  
24A,2,,172148-03300,, "LABEL, 700(L)(BOOM",1,,,,,,,,,,,,,I  
24B,2,,172142-03451,, "LABEL, BOOM",,,,,,2,,,,,,,,,,,,,I  
25,2,,172148-03310,, "LABEL, 700(R)(BOOM",1,,,,,,,,,,,,,I  
26,2,,172141-03360,, "LABEL, START SWITCH",1,,,,,1,,,,,,,,,,,,,  
27,2,,172138-03750,, "LABEL, GREASE",1,,,,,1,,,,,,,,,,,,,  
28,2,,172137-03780,, "LABEL, THROTTLE",1,,,,,1,,,,,,,,,,,,,  
29,2,,22857-300050,, "SCREW 3X 5",4,,,,,4,,,,,,,,,,,,,  
30,2,,933112-45300,, "LABEL, DANGER (A)",1,,,,,1,,,,,,,,,,,,,  
31,2,,933112-45400,, "LABEL, DANGER (B)",1,,,,,1,,,,,,,,,,,,,  
32,2,,933112-50700,, "LABEL, OIL FEED",1,,,,,1,,,,,,,,,,,,,  
33,2,,933112-52500,, "LABEL, FUEL",1,,,,,1,,,,,,,,,,,,,  
34,2,,933112-54300,, "LABEL, AIR CLEANER",1,,,,,1,,,,,,,,,,,,,  
35,2,,933112-55700,, "LABEL, SUB-TANK",1,,,,,1,,,,,,,,,,,,,  
36,2,,933112-55800,, "LABEL, RADIATER",1,,,,,1,,,,,,,,,,,,,  
37,2,,933112-55900,, "LABEL, ANTI-FREEZING",1,,,,,1,,,,,,,,,,,,,  
38,2,,172141-03210,, "LABEL, SELECT",1,,,,,1,,,,,,,,,,,,,  
39,2,,172135-03220,, "LABEL, CAB.DOOR",1,,,,,1,W,72148066,M21109,,,,,,,,,,,,,I  
41,1,,172131-03710,, "LABEL(LWA 95",,,,,,1,,,,,,,,,,,,,I  
42,1,,172312-03710,, "LABEL(LPA 84",,,,,,1,,,,,,,,,,,,,I  
43,1,,933112-45500,, "LABEL, CAUTION",1,,,,,1,1,,,,,,,,,,,,,  
44,1,,194340-65580,, LABEL,1,,,,,1,2,,,,,,,,,,,,,  
45,1,,22857-300050,, "SCREW 3X 5",4,,,,,4,2,,,,,,,,,,,,,  
46,1,,172143-03250,, "LABEL,ADJUST CRAWLER",1,,,,,1,3,,,,,,,,,,,,,

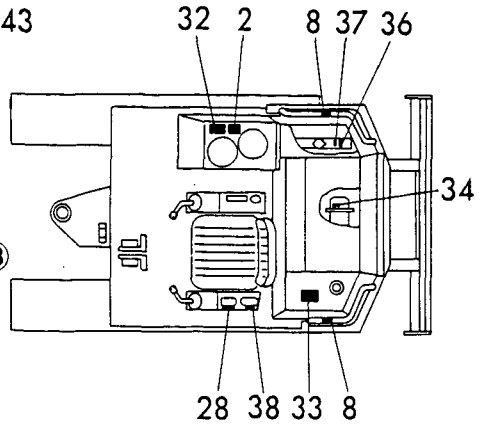
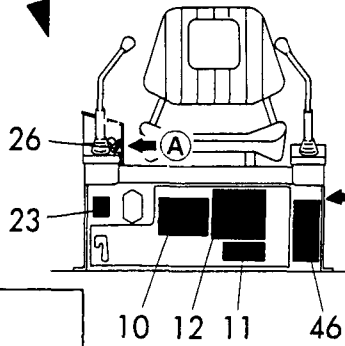
Fig. 1 **1** メイバン(キャビン)  
 LABEL (CABIN SPEC.)

COUNTRY	AY	UK	EP	UK(OPT)
Fig No.	1	2	1	5

1  
 inc. 2 ~ 39

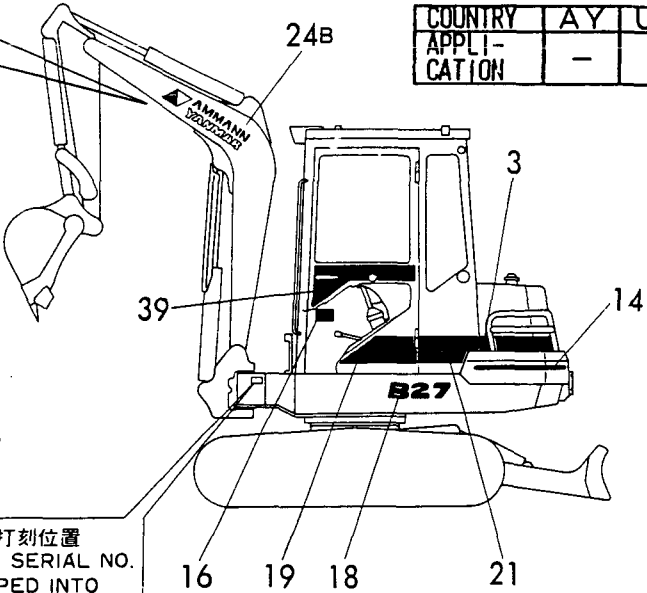
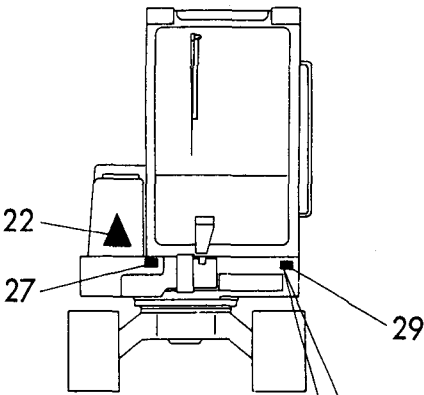


4  
 (A)カラ見ル  
 VIEWED FROM (A)



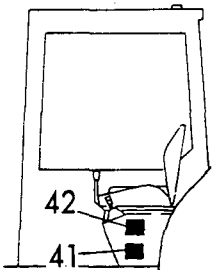
COUNTRY	AY	UK	EP
APPLI-CATION	○	-	-

COUNTRY	AY	UK	EP
APPLI-CATION	-	-	○

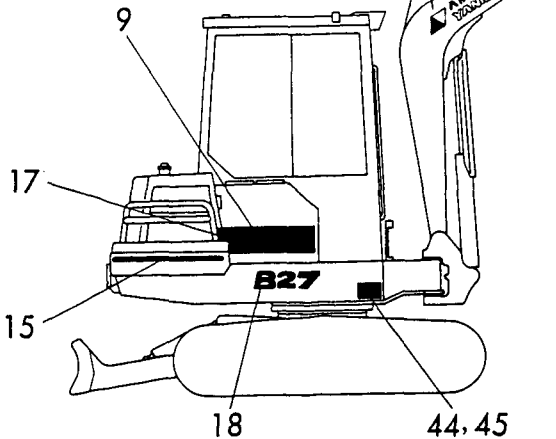
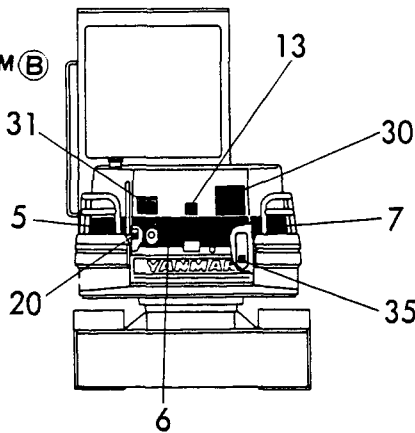


機体NO. 打刻位置  
 MACHINE SERIAL NO.  
 IS STAMPED INTO  
 THIS LOCATION

COUNTRY	AY	UK	EP
APPLI-CATION	○	-	-



(B)カラ見ル  
 VIEWED FROM (B)



1A,1,,772142-03750,, "LABEL SET, CABINE(UK" ,,,1,,,,,,,,,,,,,  
1B,1,,772142-03751,, "LABEL SET, CABINE(UK" ,,,,,1,,1,,,,,,,,,XX,M21109,  
2,2,,772142-03170,, "LABEL ASSY, ENGLISH" ,,,,,1,,2,,,,,,,,,  
3,3,,172141-03420,, "LABEL, GREASING" ,,,1,,1,,,,,,,,,,,,,  
4,3,,172141-03440,, LABEL, ,,,1,,1,,,,,,,,,,,,,  
5,3,,172141-03450,, "LABEL, RESERVER(C)" ,,,1,,1,,,,,,,,,,,,,  
6,3,,172141-03460,, "LABEL, (D)" ,,,1,,1,,,,,,,,,,,,,  
7,3,,172141-03490,, "LABEL, PROTECTOR" ,,,2,,2,,,,,,,,,,,,,  
8,3,,172142-03510,, "LABEL,SPACIFICATION" ,,,1,,1,,,,,,,,,,,,,  
9,3,,172142-03520,, "LABEL,OIL/WATER F,G" ,,,1,,1,,,,,,,,,,,,,  
10,3,,172142-03530,, LABEL, ,,,1,,1,,,,,,,,,,,,,  
11,3,,172122-03740,, "LABEL, GREASE" ,,,1,,1,,,,,,,,,,,,,  
12,3,,172519-03770,, LABEL, ,,,,,1,,,,,,,,,,,,,I  
13,3,,172122-03912,, LABEL, ,,,1,,1,,,,,,,,,,,,,  
14,3,,172125-03950,, "LABEL, AIR CLEANER" ,,,1,,1,,,,,,,,,,,,,  
15,3,,121120-44800,, "LABEL, RADIATOR" ,,,1,,1,,,,,,,,,,,,,  
16,3,,124764-44810,, "LABEL, SUB-TANK" ,,,,,1,,,,,,,,,,,,,I  
17,3,,124764-44920,, "LABEL, ANTI-FREEZING" ,,,1,,1,,,,,,,,,,,,,  
18,3,,933112-50300,, "LABEL, OIL FEED" ,,,1,,1,,,,,,,,,,,,,  
19,3,,933112-52100,, "LABEL, FUEL" ,,,1,,1,,,,,,,,,,,,,  
20,2,,172148-03170,, "LABEL, STRIPE(LB)" ,,,1,,1,,,,,,,,,,,,,  
21,2,,172148-03180,, "LABEL, STRIPE(REAR A)" ,,,1,,1,,,,,,,,,,,,,  
22,2,,172148-03190,, "LABEL, STRIPE(REAR B)" ,,,1,,1,,,,,,,,,,,,,  
23,2,,172148-03200,, "LABEL, STRIPE(REAR C)" ,,,1,,1,,,,,,,,,,,,,  
24,2,,172148-03210,, "LABEL, STRIPE(RA)" ,,,1,,1,,,,,,,,,,,,,  
25,2,,172135-03220,, "LABEL, CAB.DOOR" ,,,1,,1,,,,,,,,,,,,,  
26,2,,172148-03240,, "LABEL, PROTECTOR(L)" ,,,1,,1,,,,,,,,,,,,,  
27,2,,172148-03250,, "LABEL, PROTECTOR(R)" ,,,1,,1,,,,,,,,,,,,,  
28,2,,172148-03260,, "LABEL, STRIPE(RB)" ,,,1,,1,,,,,,,,,,,,,  
29,2,,172142-03270,, "LABEL,MODEL B27" ,,,2,,2,,,,,,,,,,,,,  
30,2,,172148-03270,, "LABEL, STRIPE(CA)" ,,,1,,1,,,,,,,,,,,,,  
31,2,,172148-03280,, "LABEL, STRIPE(CB)" ,,,1,,1,,,,,,,,,,,,,  
32,2,,172137-03290,, "LABEL, NO.1 MARK" ,,,1,,1,,,,,,,,,,,,,  
33,2,,172137-03300,, "LABEL, TURNING LOCK" ,,,1,,1,,,,,,,,,,,,,  
34A,2,,172148-03300,, "LABEL, 700(L)(BOOM" ,,,1,,,,,,,,,,,,,  
34B,2,,172151-03451,, "LABEL, BOOM" ,,,,,2,,,,,,,,,,,,,  
35,2,,172148-03310,, "LABEL, 700(R)(BOOM" ,,,1,,1,,,,,,,,,,,,,  
36,2,,172141-03360,, "LABEL, START SWITCH" ,,,1,,1,,,,,,,,,,,,,  
37,2,,172137-03780,, "LABEL, THROTTLE" ,,,1,,1,,,,,,,,,,,,,  
38,2,,22857-300050,, "SCREW 3X 5" ,,,4,,4,,,,,,,,,,,,,  
39,1,,172143-03260,, "LABEL, OPERATION" ,,,1,,1,,,,,,,,,,,,,  
40,1,,172141-03210,, "LABEL, SELECT" ,,,1,,1,,,,,,,,,,,,,  
42,1,,172141-03500,, "LABEL,ADJUST CRAWLER" ,,,1,,1,,3,,,,,,,,,,,,,

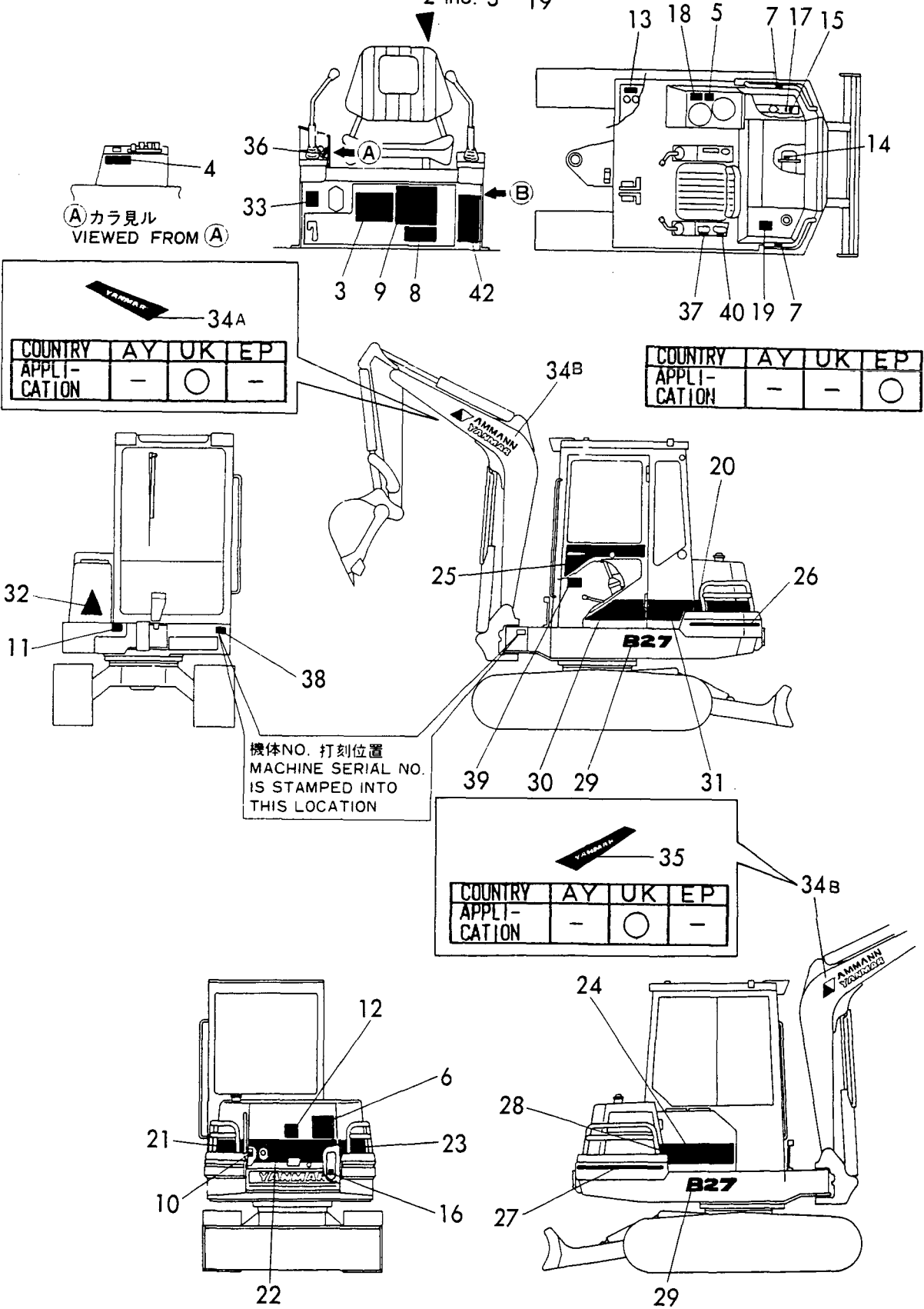


Fig. 2 **2** メイバン(キャビン)(UK)  
 LABEL (CABIN SPEC.)(UK)

COUNTRY	AY	UK	EP	UK(OPT)
Fig No.	1	2	1	5

1 inc. 2 ~ 38

2 inc. 3 ~ 19



①カラ見ル  
 VIEWED FROM ①

COUNTRY	AY	UK	EP
APPLI-CATION	-	○	-

COUNTRY	AY	UK	EP
APPLI-CATION	-	-	○

機体NO. 打刻位置  
 MACHINE SERIAL NO.  
 IS STAMPED INTO  
 THIS LOCATION

COUNTRY	AY	UK	EP
APPLI-CATION	-	○	-

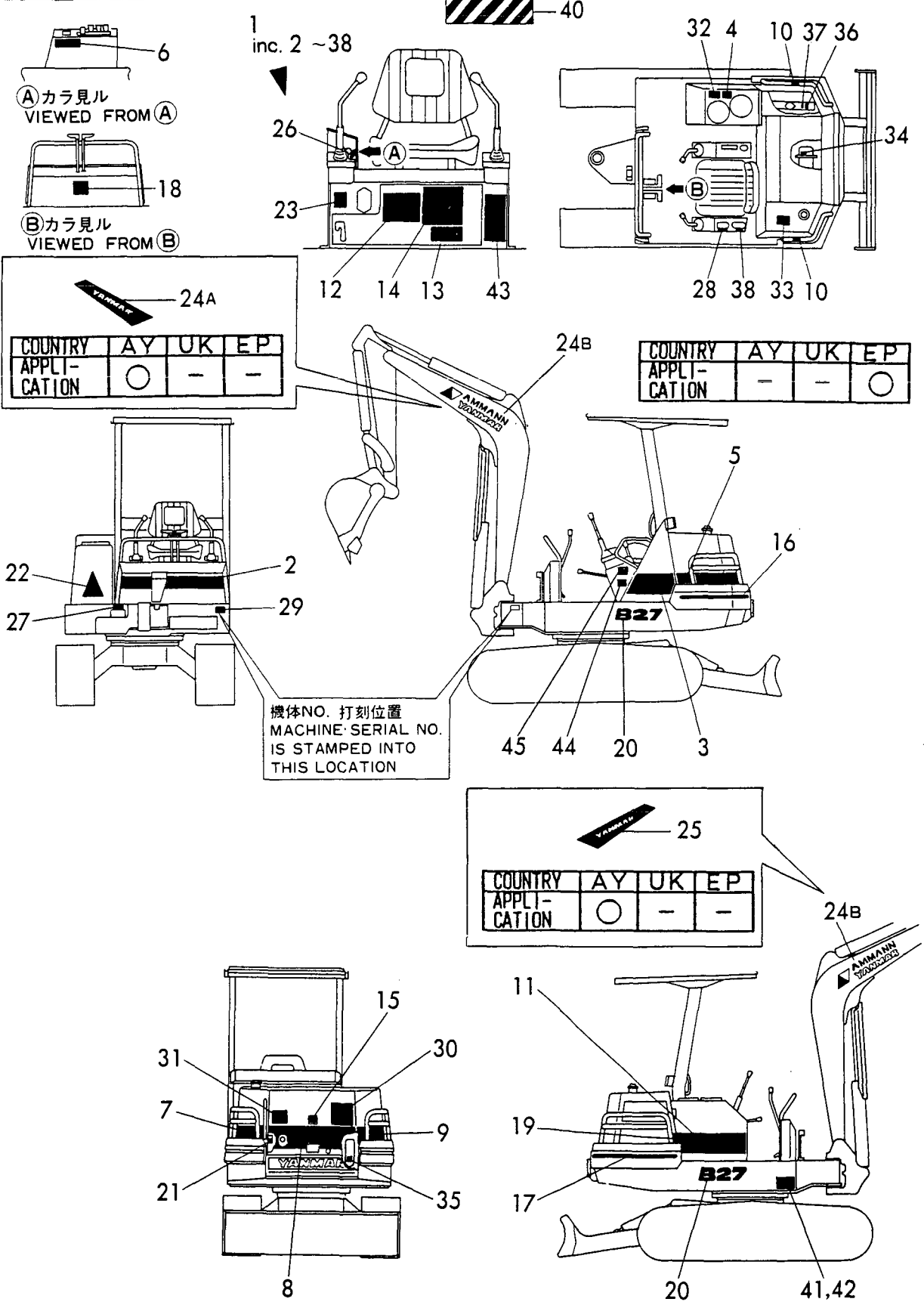
1A,1,,772142-03710,, "LABEL SET, CANOPY",,1,,,,,,,,,,,,,,,,,,,,,  
1B,1,,772142-03711,, "LABEL SET, CANOPY",,,,,,1,,,,,,,,,,,,,,,,,,,,,I  
2,2,,172148-03140,, "LABEL, STRIPE(F)",,1,,,,1,,,,,,,,,,,,,,,,,,,,,  
3,2,,172148-03160,, "LABEL, STRIPE(LA)",,1,,,,1,,,,,,,,,,,,,,,,,,,,,  
4,2,,172143-03170,, LABEL,,1,,,,1,,,,,,,,,,,,,,,,,,,,,  
5,2,,172148-03170,, "LABEL, STRIPE(LB)",,1,,,,1,,,,,,,,,,,,,,,,,,,,,  
6,2,,172143-03180,, LABEL,,1,,,,1,,,,,,,,,,,,,,,,,,,,,  
7,2,,172148-03180,, "LABEL, STRIPE(REAR A)",,1,,,,1,,,,,,,,,,,,,,,,,,,,,  
8,2,,172148-03190,, "LABEL, STRIPE(REAR B)",,1,,,,1,,,,,,,,,,,,,,,,,,,,,  
9,2,,172148-03200,, "LABEL, STRIPE(REAR C)",,1,,,,1,,,,,,,,,,,,,,,,,,,,,  
10,2,,172143-03210,, LABEL,,2,,,,2,,,,,,,,,,,,,,,,,,,,,  
11,2,,172148-03210,, "LABEL, STRIPE(RA)",,1,,,,1,,,,,,,,,,,,,,,,,,,,,  
12,2,,172143-03220,, LABEL,,1,,,,1,,,,,,,,,,,,,,,,,,,,,  
13,2,,172142-03230,, "LABEL,SPACIFICATION",,1,,,,1,,,,,,,,,,,,,,,,,,,,,  
14,2,,172142-03240,, "LABEL,OIL/WATER F,G",,1,,,,1,,,,,,,,,,,,,,,,,,,,,  
15,2,,172143-03240,, LABEL,,1,,,,1,,,,,,,,,,,,,,,,,,,,,  
16,2,,172148-03240,, "LABEL, PROTECTOR(L)",,1,,,,1,,,,,,,,,,,,,,,,,,,,,  
17,2,,172148-03250,, "LABEL, PROTECTOR(R)",,1,,,,1,,,,,,,,,,,,,,,,,,,,,  
18,2,,172143-03260,, "LABEL, OPERATION",,1,,,,1,,,,,,,,,,,,,,,,,,,,,  
19,2,,172148-03260,, "LABEL, STRIPE(RB)",,1,,,,1,,,,,,,,,,,,,,,,,,,,,  
20,2,,172142-03270,, "LABEL,MODEL B27",,2,,,,2,,,,,,,,,,,,,,,,,,,,,  
21,2,,172142-03280,, LABEL,,1,,,,1,,,,,,,,,,,,,,,,,,,,,  
22,2,,172137-03290,, "LABEL, NO.1 MARK",,1,,,,1,,,,,,,,,,,,,,,,,,,,,  
23,2,,172137-03300,, "LABEL, TURNING LOCK",,1,,,,1,,,,,,,,,,,,,,,,,,,,,  
24A,2,,172148-03300,, "LABEL, 700(L)(BOOM",,1,,,,,,,,,,,,,,,,,,,,,  
24B,2,,172142-03451,, "LABEL, BOOM",,,,,,2,,,,,,,,,,,,,,,,,,,,,I  
25,2,,172148-03310,, "LABEL, 700(R)(BOOM",,1,,,,,,,,,,,,,,,,,,,,,  
26,2,,172141-03360,, "LABEL, START SWITCH",,1,,,,1,,,,,,,,,,,,,,,,,,,,,  
27,2,,172138-03750,, "LABEL, GREASE",,1,,,,1,,,,,,,,,,,,,,,,,,,,,  
28,2,,172137-03780,, "LABEL, THROTTLE",,1,,,,1,,,,,,,,,,,,,,,,,,,,,  
29,2,,22857-300050,, "SCREW 3X 5",,4,,,,4,,,,,,,,,,,,,,,,,,,,,  
30,2,,933112-45300,, "LABEL, DANGER (A)",,1,,,,1,,,,,,,,,,,,,,,,,,,,,  
31,2,,933112-45400,, "LABEL, DANGER (B)",,1,,,,1,,,,,,,,,,,,,,,,,,,,,  
32,2,,933112-50700,, "LABEL, OIL FEED",,1,,,,1,,,,,,,,,,,,,,,,,,,,,  
33,2,,933112-52500,, "LABEL, FUEL",,1,,,,1,,,,,,,,,,,,,,,,,,,,,  
34,2,,933112-54300,, "LABEL, AIR CLEANER",,1,,,,1,,,,,,,,,,,,,,,,,,,,,  
35,2,,933112-55700,, "LABEL, SUB-TANK",,1,,,,1,,,,,,,,,,,,,,,,,,,,,  
36,2,,933112-55800,, "LABEL, RADIATER",,1,,,,1,,,,,,,,,,,,,,,,,,,,,  
37,2,,933112-55900,, "LABEL, ANTI-FREEZING",,1,,,,1,,,,,,,,,,,,,,,,,,,,,  
38,2,,172141-03210,, "LABEL, SELECT",,1,,,,1,,,,,,,,,,,,,,,,,,,,,  
40,1,,933112-45500,, "LABEL, CAUTION",,1,,,,1,1,,,,,,,,,,,,,,,,,,,,,  
41,1,,194340-65580,, LABEL,,1,,,,1,2,,,,,,,,,,,,,,,,,,,,,  
42,1,,22857-300050,, "SCREW 3X 5",,4,,,,4,2,,,,,,,,,,,,,,,,,,,,,  
43,1,,172143-03250,, "LABEL,ADJUST CRAWLER",,1,,,,1,3,,,,,,,,,,,,,,,,,,,,,  
44,1,,172131-03710,, "LABEL(LWA 95",,,,,,1,,,,,,,,,,,,,,,,,,,,,I  
45,1,,172142-03780,, "LABEL(LPA 78",,,,,,1,,,,,,,,,,,,,,,,,,,,,I

# 3 メイバン(キャノピ)

## LABEL (CANOPY SPEC.)

D72142-03710  
D72142-03720  
D72142-03730

COUNTRY	AY	UK	EP	UK(OPT)
Fig No.	3	4	3	5

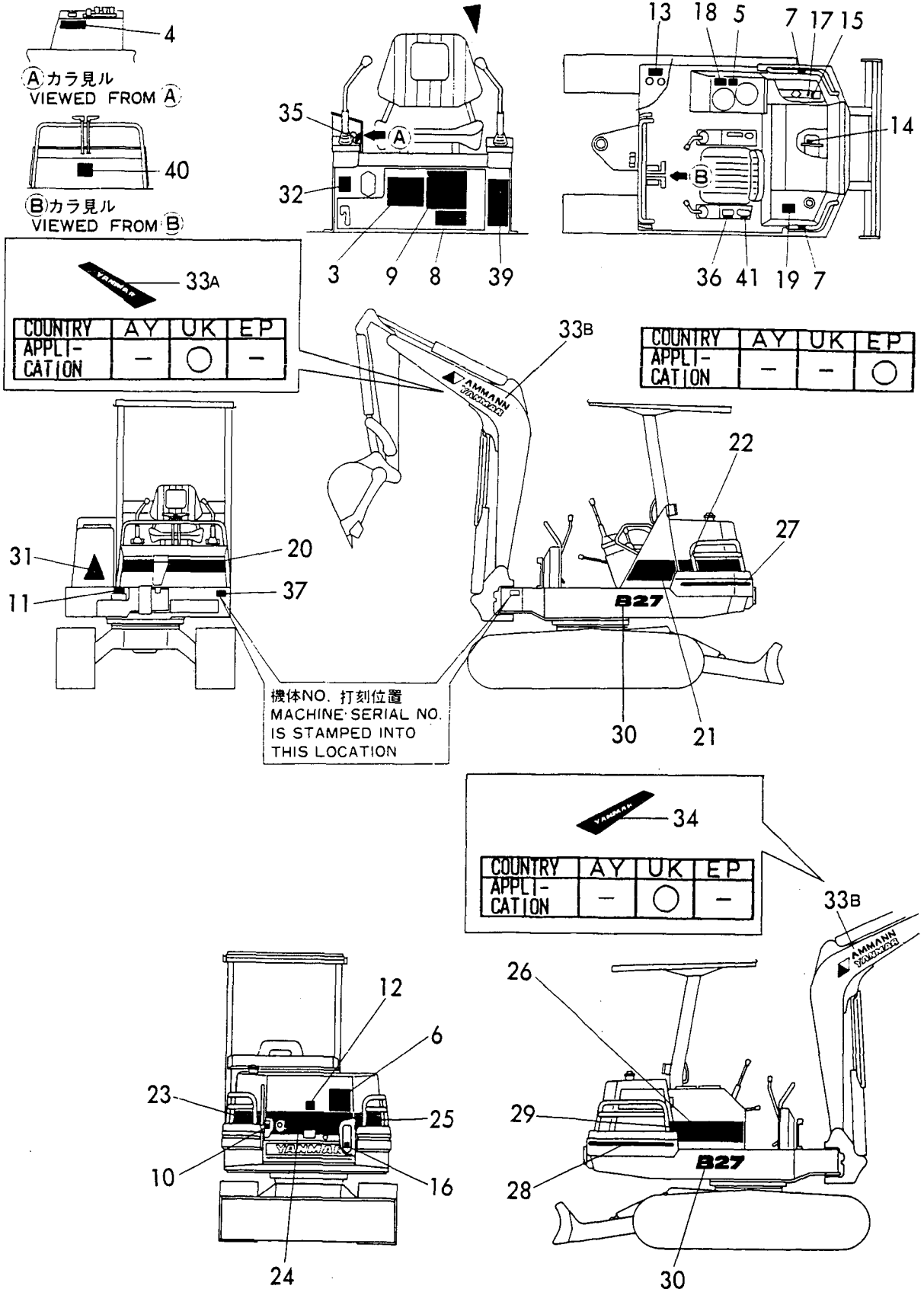


1A,1,,772142-03740,, "LABEL(UK) SET,CANOPY",,,,,1,,,,,,,,,,,,,  
1B,1,,772142-03741,, "LABEL(UK) SET,CANOPY",,,,,1,1,,,,,,,,,,,,,  
2,2,,772142-03170,, "LABEL ASSY, ENGLISH",,,,,1,2,,,,,,,,,,,,,  
3,3,,172141-03420,, "LABEL, GREASING",,,,,1,1,,,,,,,,,,,,,  
4,3,,172141-03440,, LABEL,,,,,1,1,,,,,,,,,,,,,  
5,3,,172141-03450,, "LABEL, RESERVER(C)",,,,,1,1,,,,,,,,,,,,,  
6,3,,172141-03460,, "LABEL, (D)",,,,,1,1,,,,,,,,,,,,,  
7,3,,172141-03940,, LABEL,,,,,2,,,,,3,,,,,,,,,,,,,  
7-1,3,,172141-03490,, "LABEL, PROTECTOR",,,,,2,2,,,,,,,,,,,,,  
8,3,,172142-03510,, "LABEL,SPACIFICATION",,,,,1,1,,,,,,,,,,,,,  
9,3,,172142-03520,, "LABEL,OIL/WATER F,G",,,,,1,1,,,,,,,,,,,,,  
10,3,,172142-03530,, LABEL,,,,,1,1,,,,,,,,,,,,,  
11,3,,172122-03740,, "LABEL, GREASE",,,,,1,1,,,,,,,,,,,,,  
12,3,,172519-03770,, LABEL,,,,,1,,,,,,,,,,,,,I  
13,3,,172122-03912,, LABEL,,,,,1,1,,,,,,,,,,,,,  
14,3,,172125-03950,, "LABEL, AIR CLEANER",,,,,1,1,,,,,,,,,,,,,  
15,3,,121120-44800,, "LABEL, RADIATOR",,,,,1,1,,,,,,,,,,,,,  
16,3,,124764-44810,, "LABEL, SUB-TANK",,,,,,1,,,,,,,,,,,,,I  
17,3,,124764-44920,, "LABEL, ANTI-FREEZING",,,,,1,1,,,,,,,,,,,,,  
18,3,,933112-50300,, "LABEL, OIL FEED",,,,,1,1,,,,,,,,,,,,,  
19,3,,933112-52100,, "LABEL, FUEL",,,,,1,1,,,,,,,,,,,,,  
20,2,,172148-03140,, "LABEL, STRIPE(F)",,,,,1,1,,,,,,,,,,,,,  
21,2,,172148-03160,, "LABEL, STRIPE(LA)",,,,,1,1,,,,,,,,,,,,,  
22,2,,172148-03170,, "LABEL, STRIPE(LB)",,,,,1,1,,,,,,,,,,,,,  
23,2,,172148-03180,, "LABEL, STRIPE(REAR A)",,,,,1,1,,,,,,,,,,,,,  
24,2,,172148-03190,, "LABEL, STRIPE(REAR B)",,,,,1,1,,,,,,,,,,,,,  
25,2,,172148-03200,, "LABEL, STRIPE(REAR C)",,,,,1,1,,,,,,,,,,,,,  
26,2,,172148-03210,, "LABEL, STRIPE(RA)",,,,,1,1,,,,,,,,,,,,,  
27,2,,172148-03240,, "LABEL, PROTECTOR(L)",,,,,1,1,,,,,,,,,,,,,  
28,2,,172148-03250,, "LABEL, PROTECTOR(R)",,,,,1,1,,,,,,,,,,,,,  
29,2,,172148-03260,, "LABEL, STRIPE(RB)",,,,,1,1,,,,,,,,,,,,,  
30,2,,172142-03270,, "LABEL,MODEL B27",,,,,2,2,,,,,,,,,,,,,  
31,2,,172137-03290,, "LABEL, NO.1 MARK",,,,,1,1,,,,,,,,,,,,,  
32,2,,172137-03300,, "LABEL, TURNING LOCK",,,,,1,1,,,,,,,,,,,,,  
33A,2,,172148-03300,, "LABEL, 700(L)(BOOM",,,,,1,,,,,,,,,,,,,  
33B,2,,172151-03451,, "LABEL, BOOM",,,,,,2,,,,,,,,,,,,,  
34,2,,172148-03310,, "LABEL, 700(R)(BOOM",,,,,1,,,,,,,,,,,,,  
35,2,,172141-03360,, "LABEL, START SWITCH",,,,,1,1,,,,,,,,,,,,,  
36,2,,172137-03780,, "LABEL, THROTTLE",,,,,1,1,,,,,,,,,,,,,  
37,2,,22857-300050,, "SCREW 3X 5",,,,,4,4,,,,,,,,,,,,,  
39,1,,172141-03500,, "LABEL,ADJUST CRAWLER",,,,,1,1,4,,,,,,,,,,,,,  
40,1,,172143-03260,, "LABEL, OPERATION",,,,,1,1,,,,,,,,,,,,,  
41,1,,172141-03210,, "LABEL, SELECT",,,,,1,1,,,,,,,,,,,,,

Fig. 4 **4** メイバン(キャノピ)(UK)  
 LABEL (CANOPY SPEC.)(UK)

COUNTRY	AY	UK	EP	UK(OPT)
Fig No.	3	4	3	5

D72141-03730  
 D72142-03740

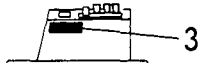


1,1,,772142-03170,, "LABEL ASSY, ENGLISH" ,,,1,1,,,,1,,,,,,,,,  
2,2,,172141-03420,, "LABEL, GREASING" ,,,1,1,,,,,,,,,  
3,2,,172141-03440,, LABEL,,,,1,1,,,,,,,,,  
4,2,,172141-03450,, "LABEL, RESERVER(C)" ,,,1,1,,,,,,,,,  
5,2,,172141-03460,, "LABEL, (D)" ,,,1,1,,,,,,,,,  
6,2,,172141-03490,, "LABEL, PROTECTOR" ,,,2,2,,,,,,,,,  
7,2,,172142-03510,, "LABEL,SPACIFICATION" ,,,1,1,,,,,,,,,  
8,2,,172142-03520,, "LABEL,OIL/WATER F,G" ,,,1,1,,,,,,,,,  
9,2,,172142-03530,, LABEL,,,,1,1,,,,,,,,,  
10,2,,172122-03740,, "LABEL, GREASE" ,,,1,1,,,,,,,,,  
11,2,,172519-03770,, LABEL,,,,1,1,,,,,,,,,  
12,2,,172122-03912,, LABEL,,,,1,1,,,,,,,,,  
13,2,,172125-03950,, "LABEL, AIR CLEANER" ,,,1,1,,,,,,,,,  
14,2,,121120-44800,, "LABEL, RADIATOR" ,,,1,1,,,,,,,,,  
15,2,,124764-44810,, "LABEL, SUB-TANK" ,,,1,1,,,,,,,,,  
16,2,,124764-44920,, "LABEL, ANTI-FREEZING" ,,,1,1,,,,,,,,,  
17,2,,933112-50300,, "LABEL, OIL FEED" ,,,1,1,,,,,,,,,  
18,2,,933112-52100,, "LABEL, FUEL" ,,,1,1,,,,,,,,,  
19,1,,172141-03500,, "LABEL,ADJUST CRAWLER" ,,,1,1,,,2,,,,,,,,,  
20,1,,172131-03710,, "LABEL(LWA 95" ,,,,,1,1,,3,,,,,,,,,  
21,1,,172142-03780,, "LABEL(LPA 78" ,,,,,1,,3,,,,,,,,,  
22,1,,172148-03830,, "LABEL(LPA 83" ,,,,,1,,3,,,,,,,,,  
23,1,,194340-65580,, LABEL,1,1,,,,,3,,,,,,,,,  
24,1,,933112-45400,, "LABEL, DANGER (B)" ,,,,,1,1,,3,,,,,,,,,

# Fig. 5 **5** メイバン(UKカイツウ)オプション LABEL (UK REMODELING)OPTION

COUNTRY	AY	UK	EP	UK(OPT)
Fig No.	1,2	3,4	1,2	5

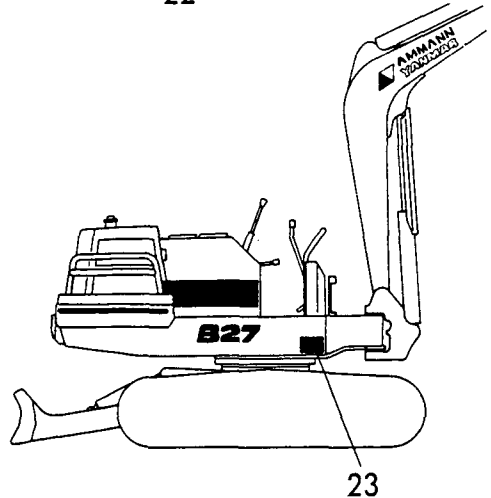
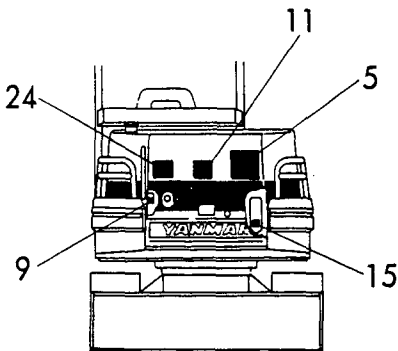
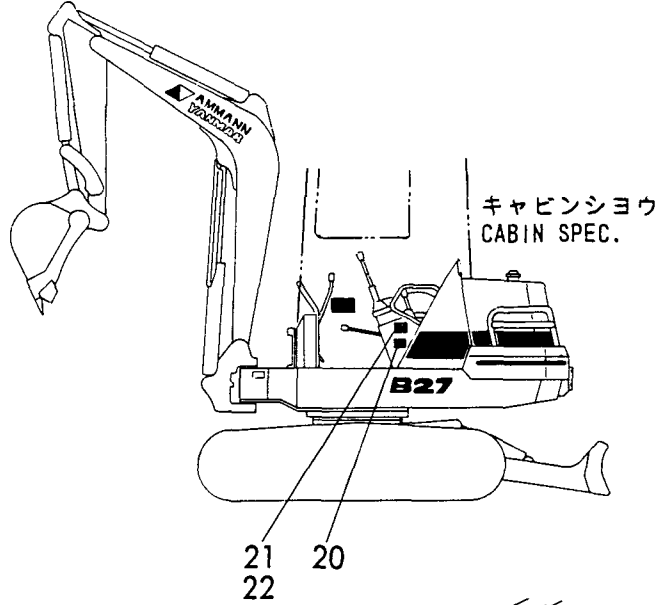
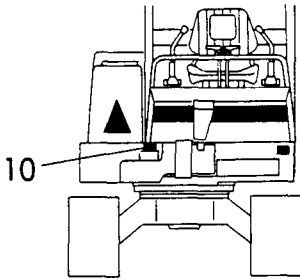
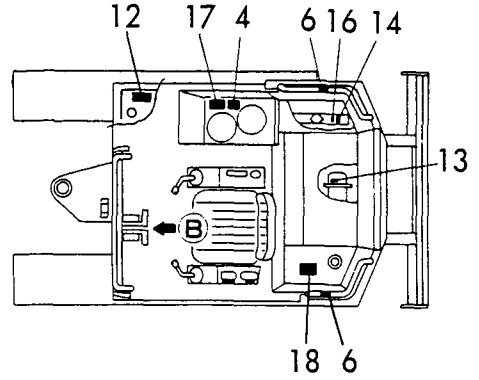
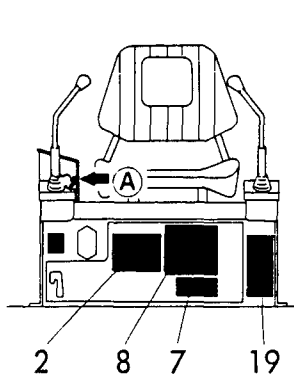
1 inc. 2 ~ 18



Ⓐカラ見ル  
VIEWED FROM Ⓐ



Ⓑカラ見ル  
VIEWED FROM Ⓑ  
キャノピシヨウ  
CANOPY SPEC.

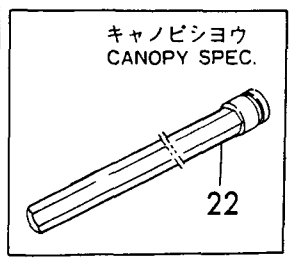
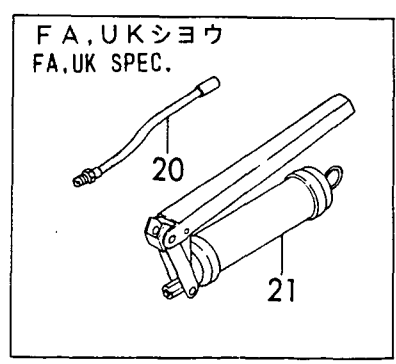
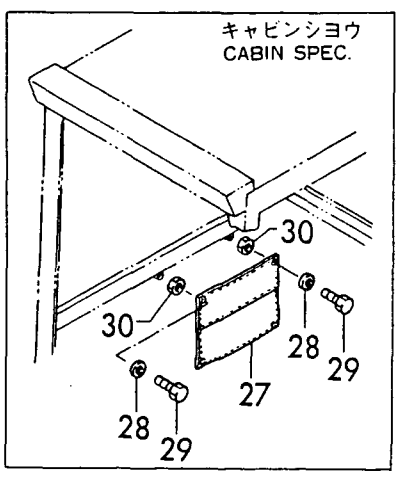
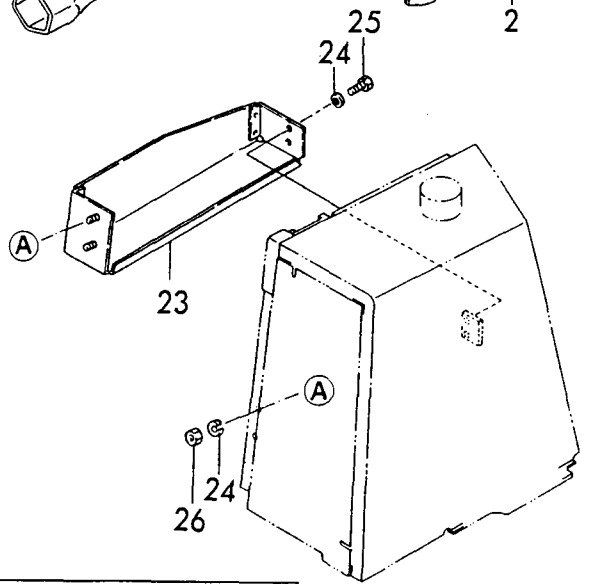
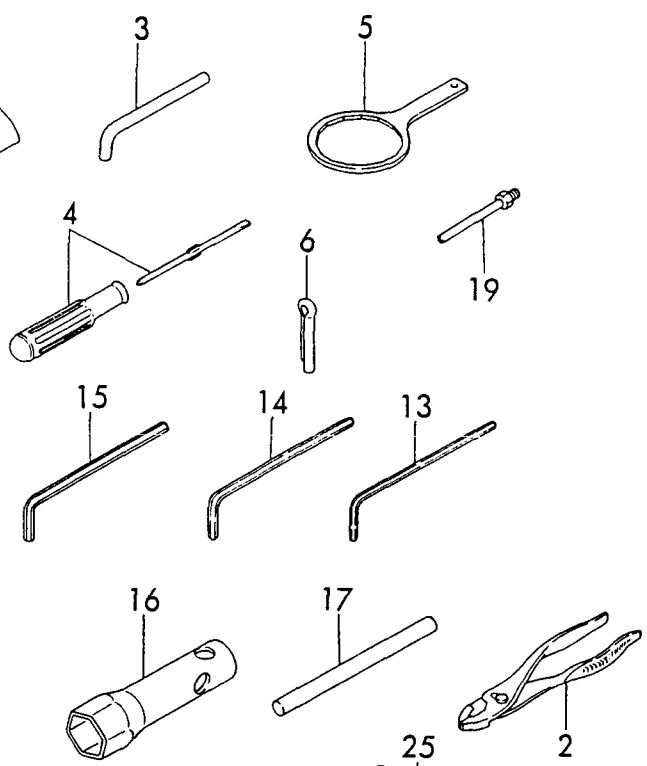
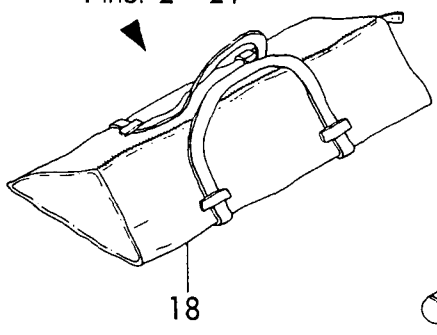


1,1,,772142-05111,,,"TOOL ASY",,,,1,1,,,,,,,,,,,,,  
1-1,1,,772142-05120,,,"TOOL ASY",1,1,1,1,,,N,1,,,,,XX,\*1989.08,XX,\*1989.08,,,  
1-2,1,,772142-05121,,,"TOOL  
ASSY",1,1,1,1,1,1,N,2,XX,\*1989.08,XX,\*1989.08,XX,\*1989.08,XX,\*1989.08,,,,,I  
2,2,,933171-00470,,,"PLIER (200)",1,1,1,1,1,1,,,,,,,,,,,,,  
3,2,,172614-38300,,,"PIN 5X45, LOCK",4,4,4,4,4,4,,,,,,,,,,,,,  
4,2,,104200-92350,,,"DRIVER, SCREW",1,1,1,1,1,1,,,,,,,,,,,,,  
5,2,,171301-92750,,,"WRENCH, L.O. FILTER",1,1,1,1,1,1,,,,,,,,,,,,,  
6,2,,22417-800500,,,"COTTER PIN 8.0X50",4,4,4,4,4,4,,,,,,,,,,,,,  
7,2,,28110-080100,,,"WRENCH 8X10",1,1,1,1,1,1,,,,,,,,,,,,,  
8,2,,28110-120140,,,"WRENCH 12X14",1,1,1,1,1,1,,,,,,,,,,,,,  
9,2,,28110-170190,,,"WRENCH 17X19",1,1,1,1,1,1,,,,,,,,,,,,,  
10,2,,28110-220240,,,"WRENCH 22X24",1,1,1,1,1,1,,,,,,,,,,,,,  
11,2,,28110-270300,,,"WRENCH 27X30",1,1,1,1,1,1,,,,,,,,,,,,,  
12,2,,28110-320360,,,"WRENCH 32X36",1,1,1,1,1,1,,,,,,,,,,,,,  
13,2,,28150-050000,,,"BAR WRENCH",1,1,1,1,1,1,,,,,,,,,,,,,  
14,2,,28150-060000,,,"BAR WRENCH 6",1,1,1,1,1,1,,,,,,,,,,,,,  
15,2,,28150-080000,,,"BAR WRENCH 8",1,1,1,1,1,1,,,,,,,,,,,,,  
16,2,,28227-271400,,,"BOX WRENCH 27X140",1,1,1,1,1,1,,,,,,,,,,,,,  
17,2,,28230-120250,,,"TURNING HANDLE",1,1,1,1,1,1,,,,,,,,,,,,,  
18,2,,933110-90000,,,"BAG, TOOL",1,1,1,1,1,1,,,,,,,,,,,,,  
19,1,,172122-05100,,,"NOZZLE",1,1,1,1,1,1,,,,,,,,,,,,,  
20,1,,933110-09700,,,"HOSE, GREASE",1,1,1,1,1,1,3,,,,,,,,,,,,,  
21,1,,933110-09800,,,"GUN 800, GREASE",1,1,1,1,1,1,3,,,,,,,,,,,,,  
22,1,,172142-05100,,,"WRENCH 17X500, SOCKET",,1,1,1,1,,,,,,,,,,,,,  
23,1,,172142-05300,,,"TOOL BOX ASSY.",1,1,1,1,1,1,,,,,,,,,,,,,  
24,1,,22217-100000,,,"SPRING WASHER 10",4,4,4,4,4,4,,,,,,,,,,,,,  
25,1,,26116-100162,,,"BOLT M10X 16 PLATED",2,2,2,2,2,2,,,,,,,,,,,,,  
26,1,,26716-100002,,,"NUT M10",2,2,2,2,2,2,,,,,,,,,,,,,  
27,1,,172119-68600,,,"BUCK",1,,1,1,,,,,,,,,,,,,  
28,1,,22117-080000,,,"WASHER 8",2,,2,2,,,,,,,,,,,,,  
29,1,,26116-080202,,,"BOLT M 8X 20 PLATED",2,,2,2,,,,,,,,,,,,,  
30,1,,26716-080002,,,"NUT M 8",2,,2,2,,,,,,,,,,,,,



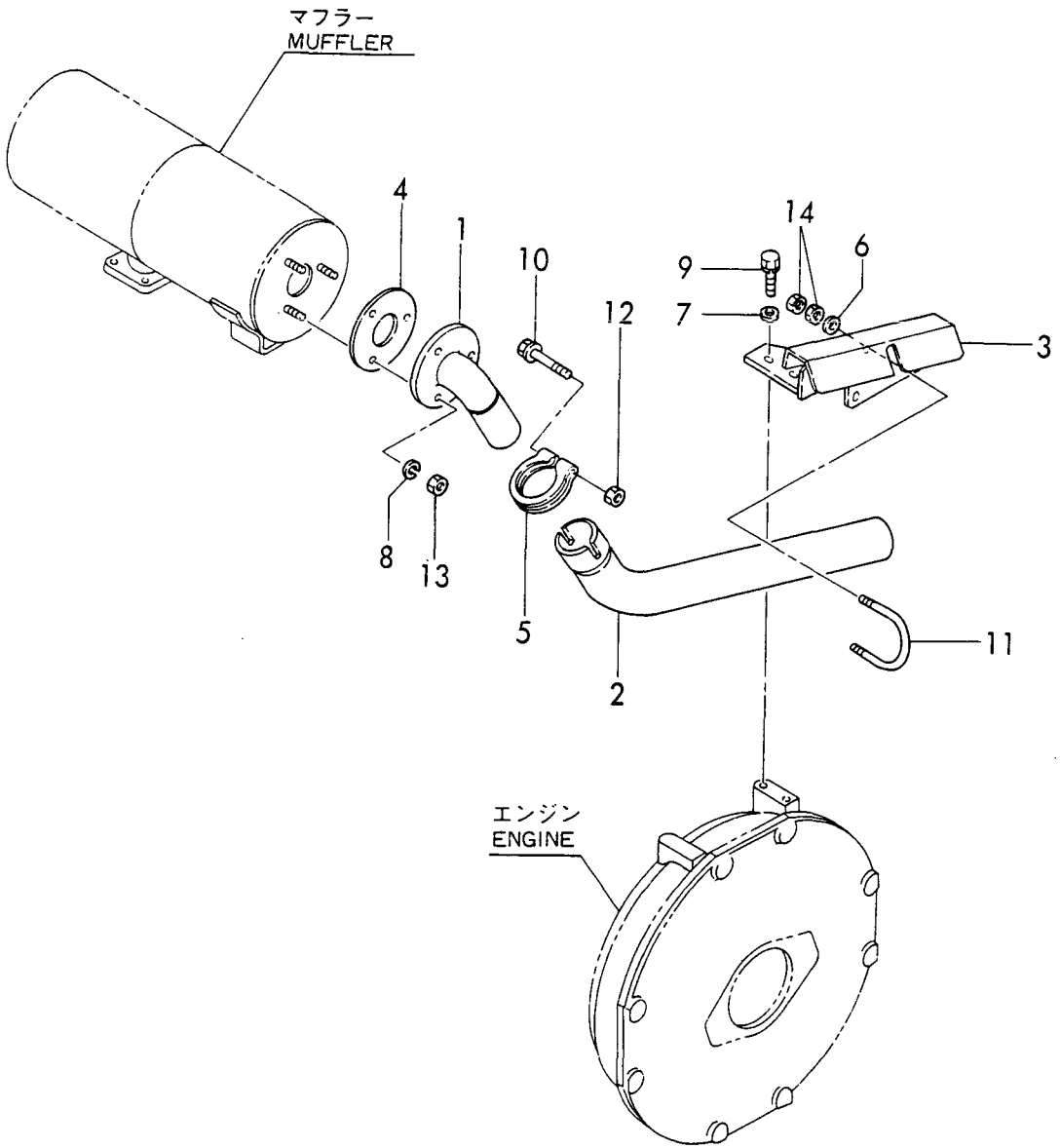
# Fig. 6 コウグ, コウグバコ & マニュアルケース TOOL, TOOLS BOX & MANUAL CASE

1-2 inc. 2 ~ 18  
 1-1 inc. 2 ~ 19  
 1 inc. 2 ~ 21



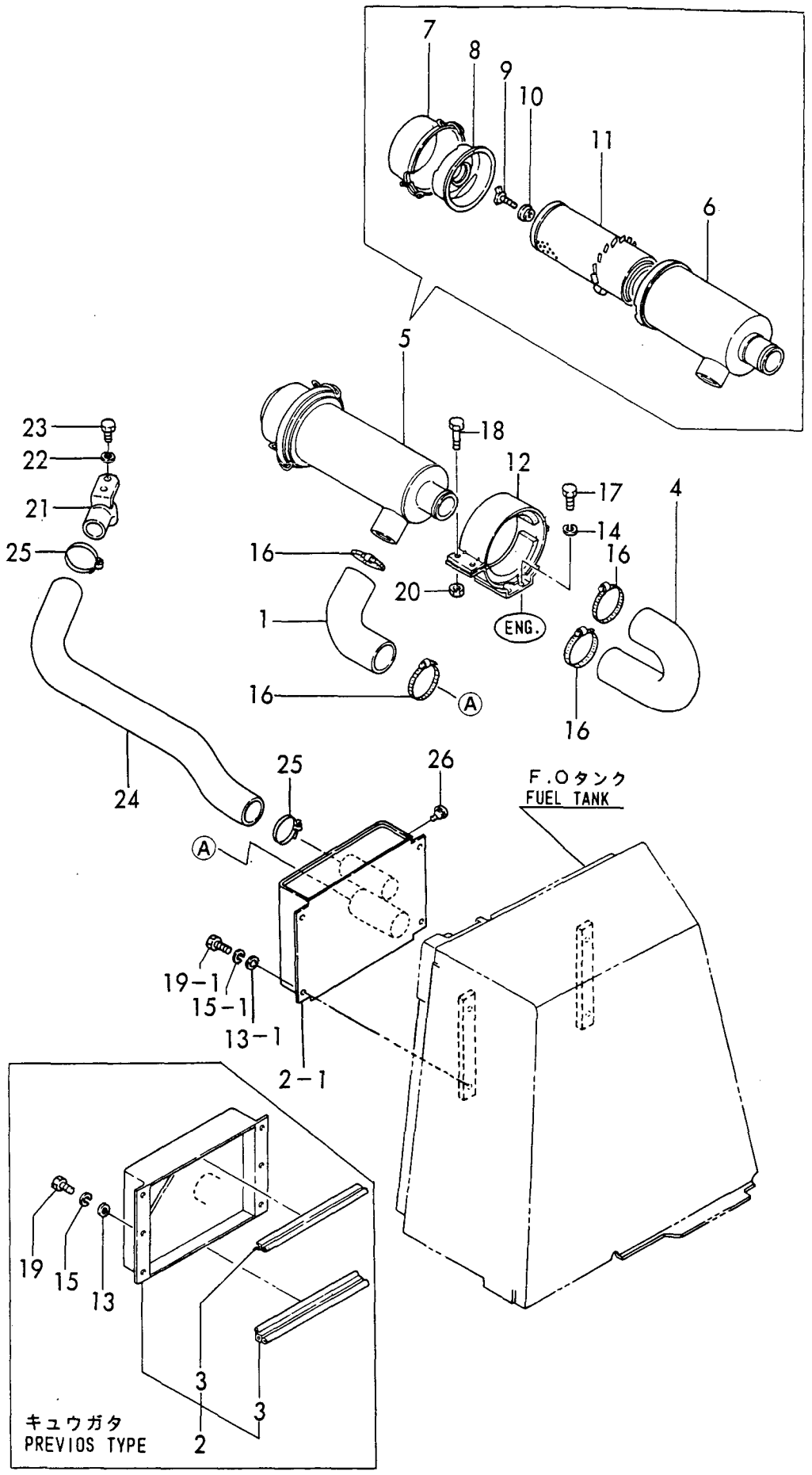
1,1,,172142-11300,, "FLANGE, MUFFLER",1,1,1,1,1,1,,,,,,,,,,,,,  
2,1,,172142-11330,, "PIPE, EXHAUST",1,1,1,1,1,1,,,,,,,,,,,,,  
3,1,,172142-11340,, "STAY, EXHAUST PIPE",1,1,1,1,1,1,,,,,,,,,,,,,  
4,1,,103954-13200,, "GASKET, SILENCER",1,1,1,1,1,1,,,,,,,,,,,,,  
5,1,,121120-13580,, CLAMP,1,1,1,1,1,1,,,,,,,,,,,,,  
6,1,,22137-080000,, "WASHER 8, POLISHED",2,2,2,2,2,2,,,,,,,,,,,,,  
7,1,,22137-100000,, "WASHER 10,POLISHED",2,2,2,2,2,2,,,,,,,,,,,,,  
8,1,,22217-100000,, "SPRING WASHER 10",3,3,3,3,3,3,,,,,,,,,,,,,  
9,1,,26013-100202,, "BOLT W/WASHER M10X20",2,2,2,2,2,2,,,,,,,,,,,,,  
10,1,,26106-100652,, "BOLT M10X 65 PLATED",1,1,1,1,1,1,,,,,,,,,,,,,  
11,1,,26464-040000,, U-BOLT,1,1,1,1,1,1,,,,,,,,,,,,,  
12,1,,26706-100002,, "NUT M10",1,1,1,1,1,1,,,,,,,,,,,,,  
13,1,,26716-100002,, "NUT M10",3,3,3,3,3,3,,,,,,,,,,,,,  
14,1,,26756-080002,, "LOCK NUT M 8 PLATED",4,4,4,4,4,4,,,,,,,,,,,,,

Fig. 7 マフラー  
MUFFLER



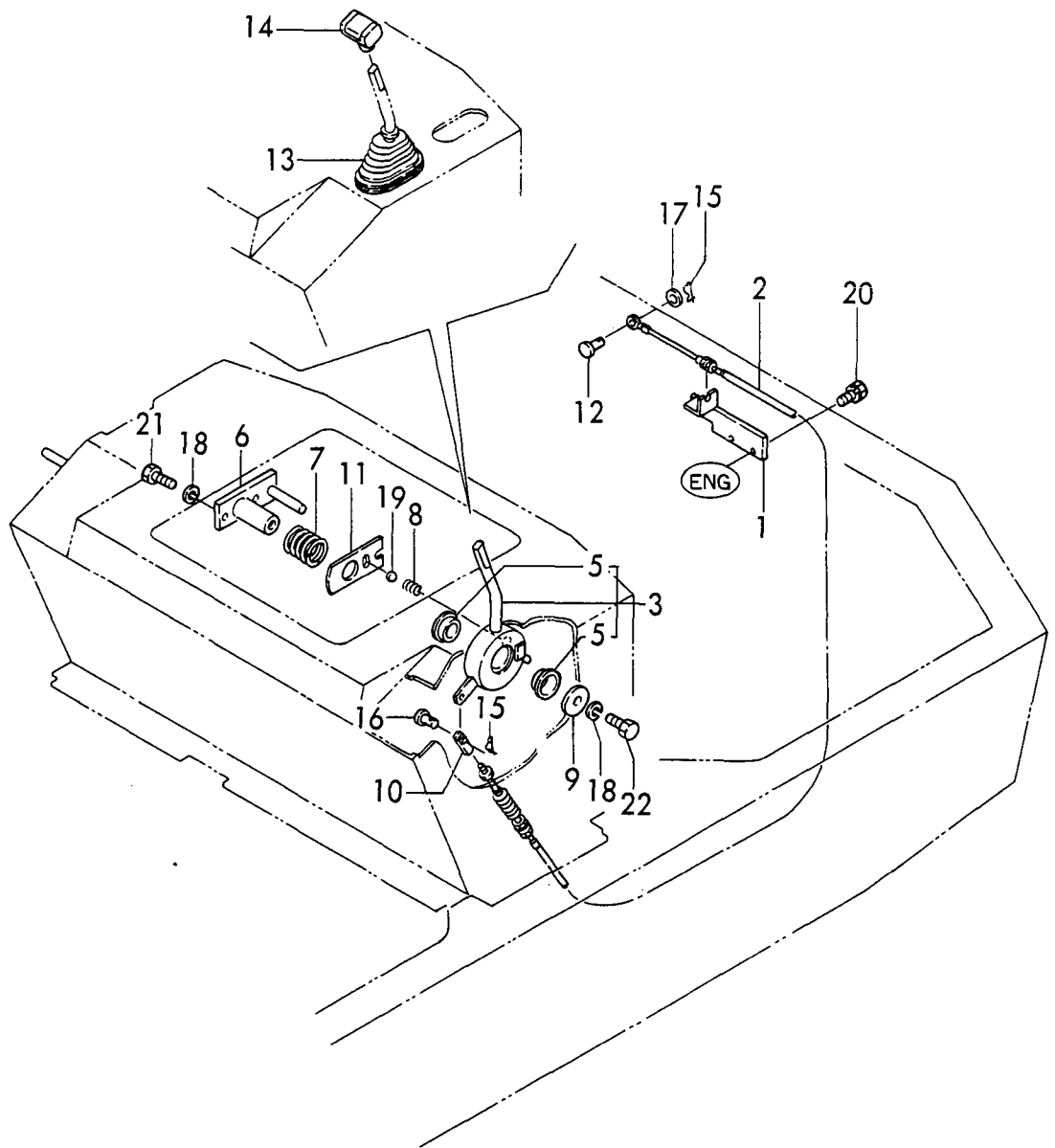
1,1,,172142-11500,, "HOSE, SUCTION",1,1,1,1,1,1,,,,,,,,,,,,,  
2,1,,172142-11510,, "DUCT, SEAL",1,1,1,1,,,,,,,,,,,,,  
2-1,1,,172142-  
11511,, DUCT,1,1,1,1,1,1,S,, 72142322,M22221,72142322,M22221,72142322,M22221,72142  
322,M22221,,,,,I  
3,2,,172142-  
11560,, SEAL,2,2,2,2,2,2,Z,, 72142322,M22221,72142322,M22221,72142322,M22221,72142  
322,M22221,,, ,  
4,1,,129132-12200,, HOSE,1,1,1,1,1,1,,,,,,,,,,,,,  
5,1,,129132-12500,, "CLEANER ASSY, AIR",1,1,1,1,1,1,,,,,,,,,,,,,  
6,2,,121252-12521,, "BODY, AIR CLEANER",1,1,1,1,1,1,,,,,,,,,,,,,  
7,2,,121120-12531,, "PAN ASSY, DUST",1,1,1,1,1,1,,,,,,,,,,,,,  
8,2,,121120-12541,, "RETAINER, ELEMENT",1,1,1,1,1,1,,,,,,,,,,,,,  
9,2,,121120-12561,, "BOLT, WING",1,1,1,1,1,1,,,,,,,,,,,,,  
10,2,,121120-12571,, "SEAL WASHER",1,1,1,1,1,1,,,,,,,,,,,,,  
11,2,,121120-12901,, ELEMENT,1,1,1,1,1,1,,,,,,,,,,,,,  
12,1,,129132-12561,, "SUPPORT, AIR CLEANER",1,1,1,1,,,,,,,,,,,,,  
12-1,1,,129132-12581,, "SUPPORT  
ASSY, CLEANER",1,1,1,1,1,1,N,, 72142291,M20923,72142291,M20923,72142291,M20923,721  
42291,M20923,,,,,I  
13,1,,22137-100000,, "WASHER 10,POLISHED",6,6,6,6,,,,,,,,,,,,,  
13-1,1,,22137-100000,, "WASHER  
10,POLISHED",4,4,4,4,4,4,K,, 72142322,M22221,72142322,M22221,72142322,M22221,7214  
2322,M22221,,,,,I  
14,1,,22217-080000,, "SPRING WASHER 8",4,4,4,4,4,4,,,,,,,,,,,,,  
15,1,,22217-100000,, "SPRING WASHER 10",6,6,6,6,,,,,,,,,,,,,  
15-1,1,,22217-100000,, "SPRING WASHER  
10",4,4,4,4,4,4,, 72142322,M22221,72142322,M22221,72142322,M22221,72142322,M2222  
1,,,,,I  
16,1,,23000-070000,, "CLAMP 70",4,4,4,4,4,4,,,,,,,,,,,,,  
17,1,,26116-080162,, "BOLT M 8X 16 PLATED",4,4,4,4,4,4,,,,,,,,,,,,,  
18,1,,26116-080352,, "BOLT M 8X 35",2,2,2,2,2,2,,,,,,,,,,,,,  
19,1,,26116-100162,, "BOLT M10X 16 PLATED",6,6,6,6,,,,,,,,,,,,,  
19-1,1,,26116-100162,, "BOLT M10X 16  
PLATED",4,4,4,4,4,4,K,, 72142322,M22221,72142322,M22221,72142322,M22221,72142322,  
M22221,,,,,I  
20,1,,26716-080002,, "NUT M 8",2,2,2,2,2,2,,,,,,,,,,,,,  
21,1,,172142-11700,, "PIPE, AIR  
INTAKE",1,1,1,1,1,1,W,, 72142322,M22221,72142322,M22221,72142322,M22221,72142322,  
M22221,,, ,  
22,1,,22217-100000,, "SPRING WASHER  
10",2,2,2,2,2,2,W,, 72142322,M22221,72142322,M22221,72142322,M22221,72142322,M222  
21,,, ,  
23,1,,26116-100202,, "BOLT M10X 20  
PLATED",2,2,2,2,2,2,W,, 72142322,M22221,72142322,M22221,72142322,M22221,72142322,  
M22221,,, ,  
24,1,,172142-11740,, "HOSE, AIR  
INTAKE",1,1,1,1,1,1,W,, 72142322,M22221,72142322,M22221,72142322,M22221,72142322,  
M22221,,, ,  
25,1,,23000-060000,, "CLAMP  
60",2,2,2,2,2,2,W,, 72142322,M22221,72142322,M22221,72142322,M22221,72142322,M222  
21,,, ,  
26,1,,172137-65700,, "RUBBER,  
CUSHION",2,2,2,2,2,2,W,, 72142337,\*1989.04,72142337,\*1989.04,72142337,\*1989.04,72  
142337,\*1989.04,,, ,

Fig. 8 エアクリーナ  
AIR CLEANER



1,1,,172142-12100,, "SUPPORT, CABLE",1,1,1,1,,,,,,,,,,,,,  
1-1,1,,172142-12200,, "SUPPORT,  
CABLE",1,1,1,1,1,1,1,N,,72142306,M21109,72142306,M21109,72142306,M21109,72142306,M  
21109,,,,,I  
2,1,,172137-12110,, "CABLE, THROTTLE",1,1,1,1,1,1,,,,,,,,,,,,,  
3,1,,172142-12150,, "LEVER W/BUSH,ACCEL T",1,1,1,1,1,1,,,,,,,,,,,,,  
5,2,,172141-12220,, "BUSH 30X10",2,2,2,2,2,2,,,,,,,,,,,,,  
6,1,,172141-12160,, BRACKET,1,1,1,1,1,1,,,,,,,,,,,,,  
7,1,,172141-12232,, SPRING,1,1,1,1,1,1,,,,,,,,,,,,,  
8,1,,172141-12240,, SPRING,1,1,1,1,1,1,,,,,,,,,,,,,  
9,1,,172141-12250,, PLATE,1,1,1,1,1,1,,,,,,,,,,,,,  
10,1,,172137-12270,, "JOINT, CABLE",1,1,1,1,1,1,,,,,,,,,,,,,  
11,1,,172142-12420,, PLATE,1,1,1,1,1,1,,,,,,,,,,,,,  
12,1,,172113-12521,, "PIN, CABLE",1,1,1,1,1,1,,,,,,,,,,,,,  
13,1,,172141-41340,, BOOTS,1,1,1,1,1,1,,,,,,,,,,,,,  
14,1,,172122-46630,, "KNOB(D), LEVER",1,1,1,1,1,1,,,,,,,,,,,,,  
15,1,,1C6281-52310,, "PIN 6,COME-OFF SNAP",2,2,2,2,2,2,,,,,,,,,,,,,  
16,1,,1A1040-56900,, "PIN 6X 17",1,1,1,1,1,1,,,,,,,,,,,,,  
17,1,,22137-060000,, "WASHER 6, POLISHED",1,1,1,1,1,1,,,,,,,,,,,,,  
18,1,,22217-100000,, "SPRING WASHER 10",3,3,3,3,3,3,,,,,,,,,,,,,  
19,1,,24190-160001,, "BALL 1/2",1,1,1,1,1,1,,,,,,,,,,,,,  
20,1,,26013-080202,, "BOLT W/WASHER M8X20",2,2,2,2,2,2,,,,,,,,,,,,,  
21,1,,26116-100202,, "BOLT M10X 20 PLATED",2,2,2,2,2,2,,,,,,,,,,,,,  
22,1,,26116-100302,, "BOLT M10X 30 PLATED",1,1,1,1,1,1,,,,,,,,,,,,,

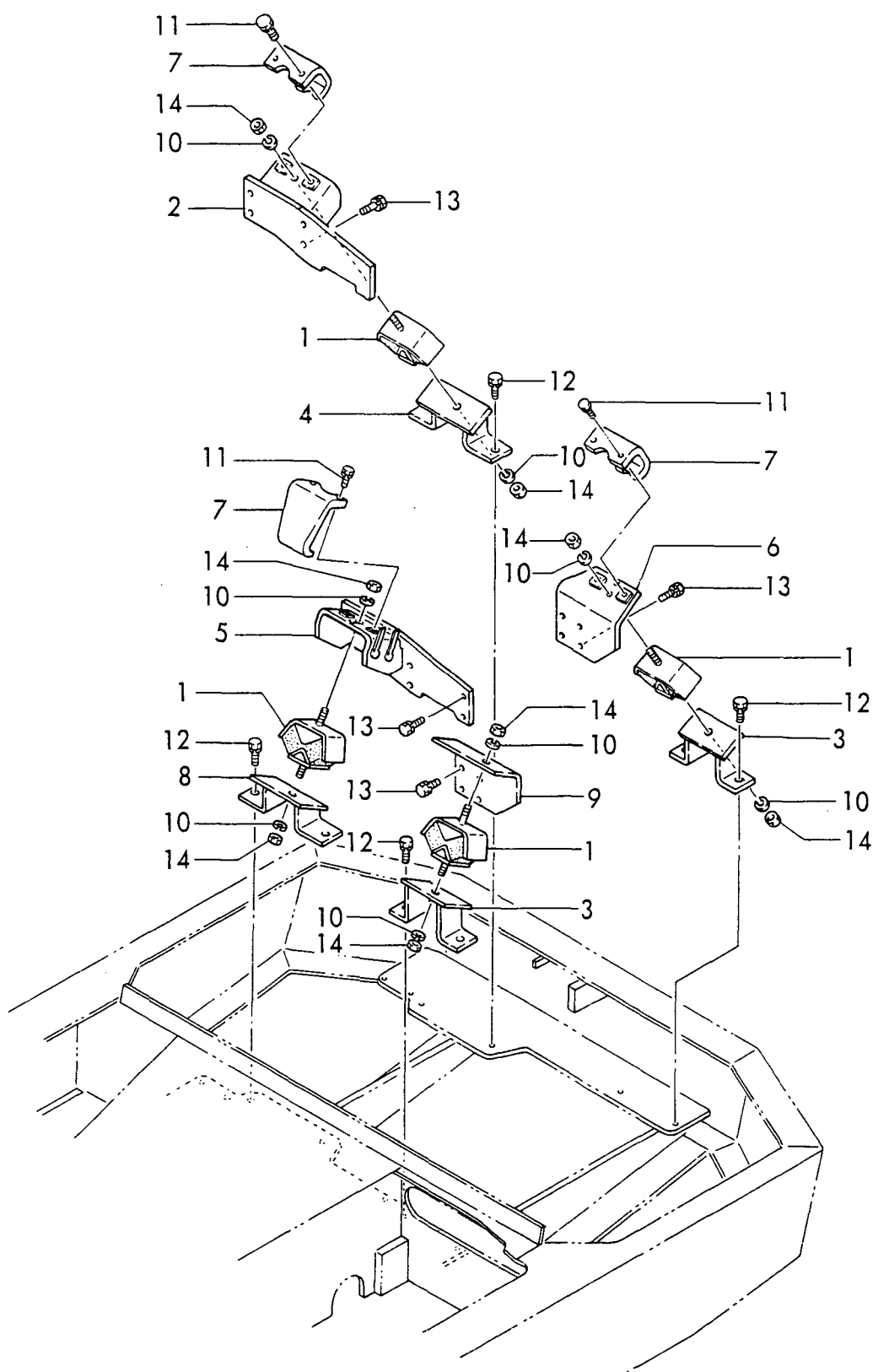
Fig. 9 アクセル  
ACCELERATOR



1,1,,196420-02310,, "ABSORBER, SHOCK",4,4,4,4,4,4,,,,,,,,,,,,,  
2,1,,172126-13102,, "BED (A), ENGINE",1,1,1,1,1,1,,,,,,,,,,,,,  
3,1,,172142-13100,, "SUPPORT, ENGINE(L)",2,2,2,2,2,2,,,,,,,,,,,,,  
4,1,,172142-13140,, "SUPPORT, ENGINE(R)",1,1,1,1,1,1,,,,,,,,,,,,,  
5,1,,172142-13171,, "BRACKET, ENGINE",1,1,1,1,1,1,,,,,,,,,,,,,  
6,1,,172142-13210,, "BRACKET, ENGINE",1,1,1,1,1,1,,,,,,,,,,,,,  
7,1,,172124-13230,, "STOPPER, ENGINE",3,3,3,3,3,3,,,,,,,,,,,,,  
8,1,,172142-13230,, "SUPPORT, ENGINE(RF)",1,1,1,1,1,1,,,,,,,,,,,,,  
9,1,,172126-13241,, "BED (B), ENGINE",1,1,1,1,1,1,,,,,,,,,,,,,  
10,1,,22217-120000,, "WASHER 12,SPRING",8,8,8,8,8,8,,,,,,,,,,,,,  
11,1,,26013-100252,, "BOLT M10X 25",6,6,6,6,6,6,,,,,,,,,,,,,  
12,1,,26013-120302,, "BOLT W/WASHER M12X30",8,8,8,8,8,8,,,,,,,,,,,,,  
13,1,,26013-120302,, "BOLT W/WASHER M12X30",16,16,16,16,16,16,,,,,,,,,,,,,  
14,1,,26716-120002,, "NUT M12",8,8,8,8,8,8,,,,,,,,,,,,,

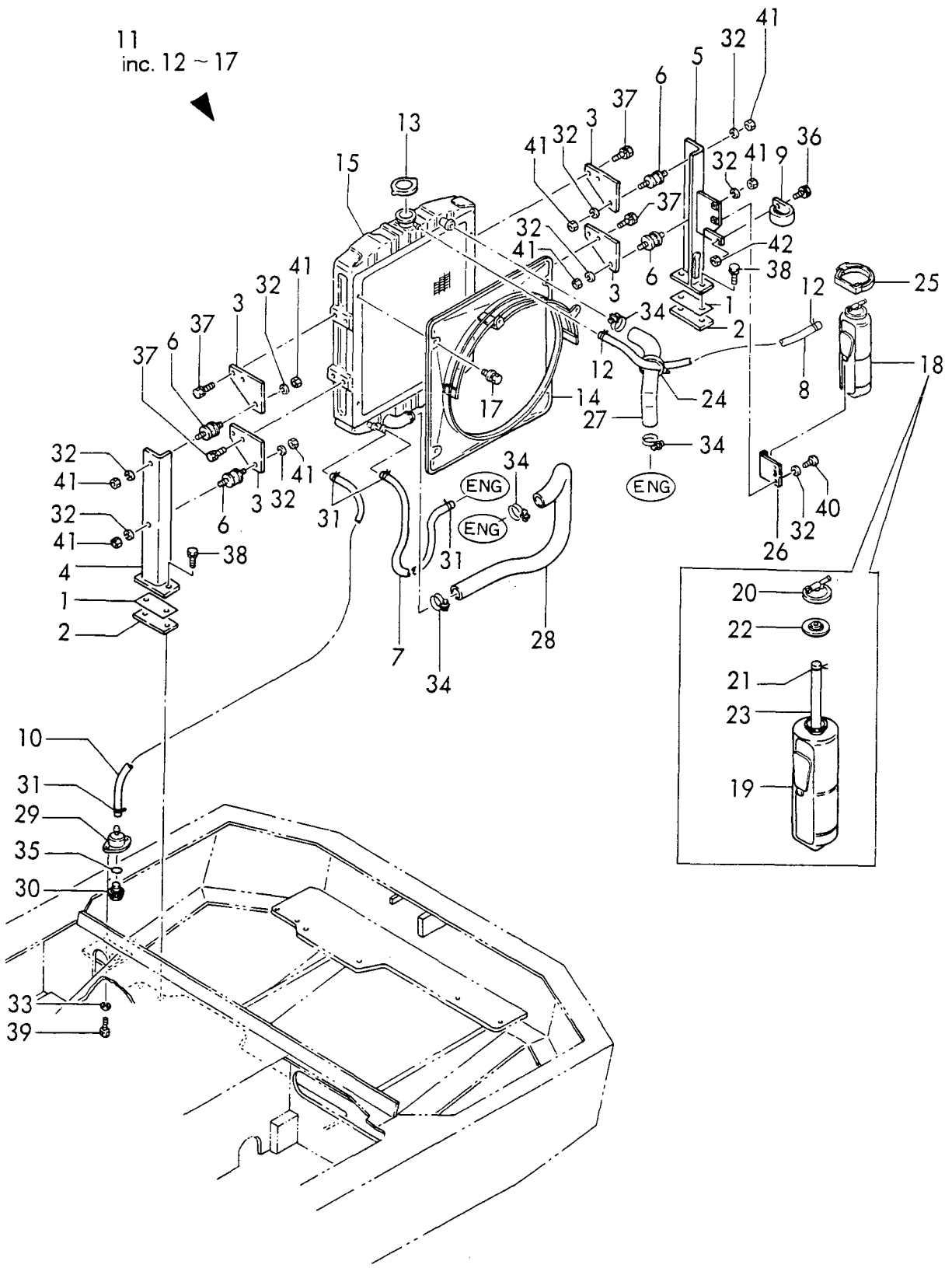


Fig. 10 エンジンマウント  
ENGINE MOUNT



1,1,,172116-13210,, "STOPPER SHIM T0.8",2,2,2,2,2,2,,,,,,,,,,,,,  
2,1,,172116-13220,, "STOPPER SHIM T1.2",2,2,2,2,2,2,,,,,,,,,,,,,  
3,1,,172122-13300,, "STAY, RADIATOR",4,4,4,4,4,4,,,,,,,,,,,,,  
4,1,,172126-13300,, "MOUNT(A), RADIATOR",1,1,1,1,1,1,,,,,,,,,,,,,  
5,1,,172142-13300,, "MOUNT(B), RADIATOR",1,1,1,1,1,1,,,,,,,,,,,,,  
6,1,,172122-13310,, "MOUNT, RADIATOR",4,4,4,4,4,4,,,,,,,,,,,,,  
7,1,,172126-13350,, "HOSE(A), WATER DRAIN",1,1,1,1,1,1,,,,,,,,,,,,,  
8,1,,172122-13380,, "HOSE(A), WATER DRAIN",1,1,1,1,1,1,,,,,,,,,,,,,  
9,1,,172122-13400,, "CLAMP, RADIATOR HOSE",1,1,1,1,1,1,,,,,,,,,,,,,  
10,1,,172122-13410,, "HOSE(B), WATER DRAIN",1,1,1,1,1,1,,,,,,,,,,,,,  
11,1,,171064-44501,, "RADIATOR",1,1,1,1,1,1,,,,,,,,,,,,,  
12,2,,121250-44590,, "CLAMP",2,2,2,2,2,2,,,,,,,,,,,,,  
13,2,,124450-44590,, "CAP, RADIATOR",1,1,1,1,1,1,,,,,,,,,,,,,  
14,2,,171064-44610,, "SHROUD",1,1,1,1,1,1,,,,,,,,,,,,,  
15,2,,171064-44640,, "BODY, RADIATOR",1,1,1,1,1,1,,,,,,,,,,,,,  
17,2,,26014-080122,, "BOLT M 8X 12",4,4,4,4,4,4,,,,,,,,,,,,,  
18,1,,171064-44510,, "SUB-TANK ASSY",1,1,1,1,1,1,,,,,,,,,,,,,  
19,2,,171064-44520,, "BODY, SUB-TANK",1,1,1,1,1,1,,,,,,,,,,,,,  
20,2,,121450-44531,, "CAP",1,1,1,1,1,1,,,,,,,,,,,,,  
21,2,,124450-44560,, "CLAMP",1,1,1,1,1,1,,,,,,,,,,,,,  
22,2,,121470-44581,, "GASKET",1,1,1,1,1,1,,,,,,,,,,,,,  
23,2,,23065-070225,, "PIPE 7X 225",1,1,1,1,1,1,,,,,,,,,,,,,  
24,1,,933152-09280,, "BAND 170",1,1,1,1,1,1,,,,,,,,,,,,,  
25,1,,124450-44550,, "CLAMP, SUB-TANK",1,1,1,1,1,1,,,,,,,,,,,,,  
26,1,,121256-44600,, "BRACKET, SUB-TANK",1,1,1,1,1,1,,,,,,,,,,,,,  
27,1,,171350-49010,, "PIPE(A), HEAD-RAD.",1,1,1,1,1,1,,,,,,,,,,,,,  
28,1,,171350-49020,, "PIPE(B), RAD.-C.W.P.",1,1,1,1,1,1,,,,,,,,,,,,,  
29,1,,121521-49100,, "BODY, COCK",1,1,1,1,1,1,,,,,,,,,,,,,  
30,1,,121250-49121,, "PLUG",1,1,1,1,1,1,,,,,,,,,,,,,  
31,1,,124766-59050,, "CLAMP 12",4,4,4,4,4,4,,,,,,,,,,,,,  
32,1,,22217-080000,, "SPRING WASHER 8",10,10,10,10,10,10,,,,,,,,,,,,,  
33,1,,22217-080000,, "SPRING WASHER 8",2,2,2,2,2,2,,,,,,,,,,,,,  
34,1,,23010-038000,, "CLAMP 38",4,4,4,4,4,4,,,,,,,,,,,,,  
35,1,,24311-000160,, "O-RING 1A P-16.0",1,1,1,1,1,1,,,,,,,,,,,,,  
36,1,,26013-080162,, "BOLT W/WASHER M8X16",1,1,1,1,1,1,,,,,,,,,,,,,  
37,1,,26013-080202,, "BOLT W/WASHER M8X20",8,8,8,8,8,8,,,,,,,,,,,,,  
38,1,,26013-100252,, "BOLT M10X 25",4,4,4,4,4,4,,,,,,,,,,,,,  
39,1,,26116-080162,, "BOLT M 8X 16 PLATED",2,2,2,2,2,2,,,,,,,,,,,,,  
40,1,,26557-080162,, "SCREW M 8X 16",2,2,2,2,2,2,,,,,,,,,,,,,  
41,1,,26716-080002,, "NUT M 8",8,8,8,8,8,8,,,,,,,,,,,,,  
42,1,,26716-080002,, "NUT M 8",1,1,1,1,1,1,,,,,,,,,,,,,

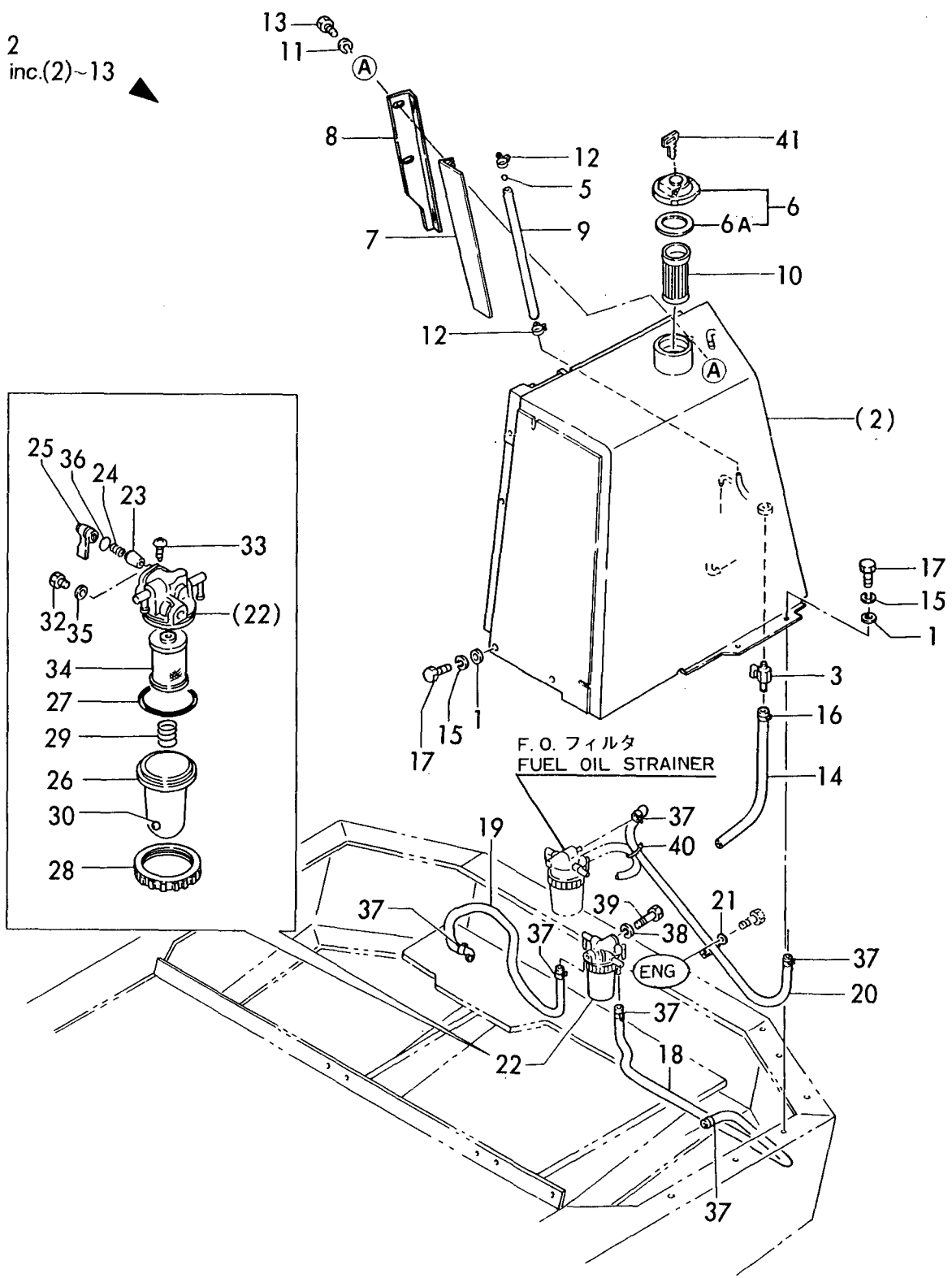
Fig. 11 ラジエータ & マウント  
RADIATOR & MOUNT



1,1,,194145-04810,, "WASHER 10",6,6,6,6,6,6,,,,,,,,,,,,,  
2,1,,772142-14110,, "TANK ASY, FUEL",1,1,1,1,,,,,,,,,,,,,  
2-1,1,,772142-14111,, "TANK ASY,  
FUEL",1,1,1,1,1,1,1,S,,72142322,M22310,72142322,M22310,72142322,M22310,72142322,M2  
2310,,,,,I  
3,2,,104200-11920,, COCK,1,1,1,1,1,1,,,,,,,,,,,,,  
5,2,,172141-14260,, FLOAT,1,1,1,1,1,1,,,,,,,,,,,,,  
6,2,,172122-14300,, "CAP, FUEL TANK",1,1,1,1,1,1,,,,,,,,,,,,,  
6A,3,,105430-55070,, GASKET,1,1,1,1,1,1,,,,,,,,,,,,,  
7,2,,172142-14330,, "COVER, GAUGE",1,1,1,1,1,1,,,,,,,,,,,,,  
8,2,,172142-14400,, "PROTECTOR, GAUGE",1,1,1,1,1,1,,,,,,,,,,,,,  
9,2,,172142-14420,, "PIPE, FUEL",1,1,1,1,1,1,,,,,,,,,,,,,  
10,2,,101504-55101,, "STRAINER,FUEL INLET",1,1,1,1,1,1,,,,,,,,,,,,,  
11,2,,22217-080000,, "SPRING WASHER 8",3,3,3,3,3,3,,,,,,,,,,,,,  
12,2,,23010-014000,, "CLAMP 14",2,2,2,2,2,2,,,,,,,,,,,,,  
13,2,,26116-080162,, "BOLT M 8X 16 PLATED",3,3,3,3,3,3,,,,,,,,,,,,,  
14,1,,172142-14420,, "PIPE, FUEL",1,1,1,1,1,1,,,,,,,,,,,,,  
15,1,,22217-100000,, "SPRING WASHER 10",6,6,6,6,6,6,,,,,,,,,,,,,  
16,1,,23080-013000,, "CLAMP 13,HOSE",1,1,1,1,1,1,,,,,,,,,,,,,  
17,1,,26116-100252,, "BOLT M10X 25 PLATED",6,6,6,6,6,6,,,,,,,,,,,,,  
18,1,,172142-14610,, "HOSE L900, FUEL",1,1,1,1,1,1,,,,,,,,,,,,,  
19,1,,172137-14620,, "PIPE (C),FUEL",1,1,1,1,1,1,,,,,,,,,,,,,  
20,1,,172142-14620,, "HOSE L750, FUEL",1,1,1,1,1,1,,,,,,,,,,,,,  
21,1,,194440-51620,, "CLAMP, WIRE HARNESS",1,1,1,1,1,1,,,,,,,,,,,,,  
22,1,,129335-55700,, "SEPARATOR, WATER",1,1,1,1,1,1,,,,,,,,,,,,,  
23,2,,104200-55321,, "VALVE, TAPER",1,1,1,1,1,1,,,,,,,,,,,,,  
24,2,,104200-55330,, "SPRING, TAPER VALVE",1,1,1,1,1,1,,,,,,,,,,,,,  
25,2,,104200-55341,, "HANDLE, COCK",1,1,1,1,1,1,,,,,,,,,,,,,  
26,2,,124064-55510,, "BOWL, FUEL STRAINER",1,1,1,1,1,1,,,,,,,,,,,,,  
27,2,,102103-55520,, O-RING,1,1,1,1,1,1,,,,,,,,,,,,,  
28,2,,110250-55610,, "RING, RETAINING",1,1,1,1,1,1,,,,,,,,,,,,,  
29,2,,121257-55720,, "SPRING, SCREEN",1,1,1,1,1,1,,,,,,,,,,,,,  
30,2,,121257-55731,, FLOAT,1,1,1,1,1,1,,,,,,,,,,,,,  
32,2,,101720-55750,, "PLUG 6",2,2,2,2,2,2,,,,,,,,,,,,,  
33,2,,104200-55750,, "SCREW M 4",1,1,1,1,1,1,,,,,,,,,,,,,  
34,2,,171081-55910,, SCREEN,1,1,1,1,1,1,,,,,,,,,,,,,  
35,2,,23418-060000,, "GASKET 6, NYLON",2,2,2,2,2,2,,,,,,,,,,,,,  
36,2,,24311-240100,, "O-RING 1A P-10A",1,1,1,1,1,1,,,,,,,,,,,,,  
37,1,,124766-59050,, "CLAMP 12",6,6,6,6,6,6,,,,,,,,,,,,,  
38,1,,22217-080000,, "SPRING WASHER 8",1,1,1,1,1,1,,,,,,,,,,,,,  
39,1,,26116-080702,, "BOLT M 8X 70 PLATED",1,1,1,1,1,1,,,,,,,,,,,,,  
40,1,,933152-09280,, "BAND 170",2,2,2,2,2,2,,,,,,,,,,,,,  
41,1,,933110-00301,, "KEY ASSY",1,1,1,1,1,1,,,,,,,,,,,,,

Fig. 12 F.O. タンク & F.O. パイプ  
 FUEL TANK & FUEL LINE

2  
 inc.(2)~13

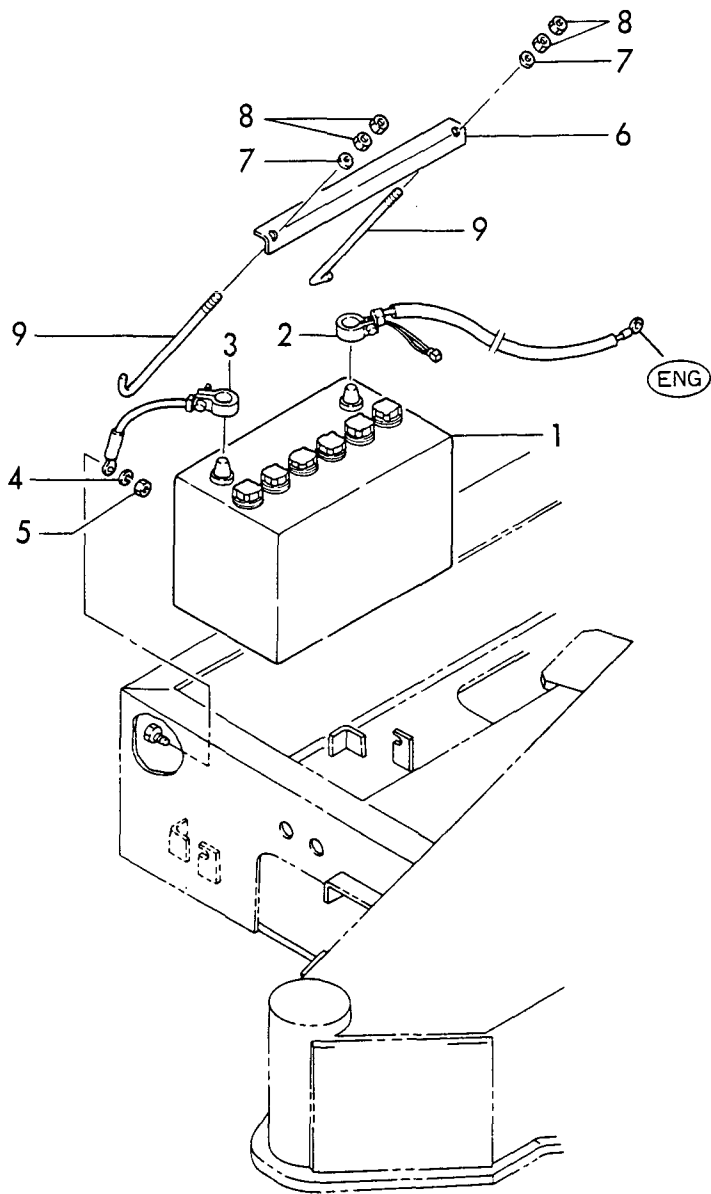


1,1,,172116-16100,,BATTERY,1,1,1,1,1,1,,,,,,,,,,,,,  
2,1,,172142-16100,, "CORD(+), BATTERY",1,1,1,1,1,1,,,,,,,,,,,,,  
3,1,,172142-16110,, "CORD(-), BATTERY",1,1,1,1,1,1,,,,,,,,,,,,,  
4,1,,22217-100000,, "SPRING WASHER 10",1,1,1,1,1,1,,,,,,,,,,,,,  
5,1,,26716-100002,, "NUT M10",1,1,1,1,1,1,,,,,,,,,,,,,  
6,1,,172116-16310,, "RETAINER, BATTERY",1,1,1,1,1,1,,,,,,,,,,,,,  
7,1,,22157-080000,, "WASHER 8",2,2,2,2,2,2,,,,,,,,,,,,,  
8,1,,26716-080002,, "NUT M 8",4,4,4,4,4,4,,,,,,,,,,,,,  
9,1,,933171-15710,, "ROD(B), BATTERY FIX",2,2,2,2,2,2,,,,,,,,,,,,,

Fig.

**13**

バッテリー  
BATTERY

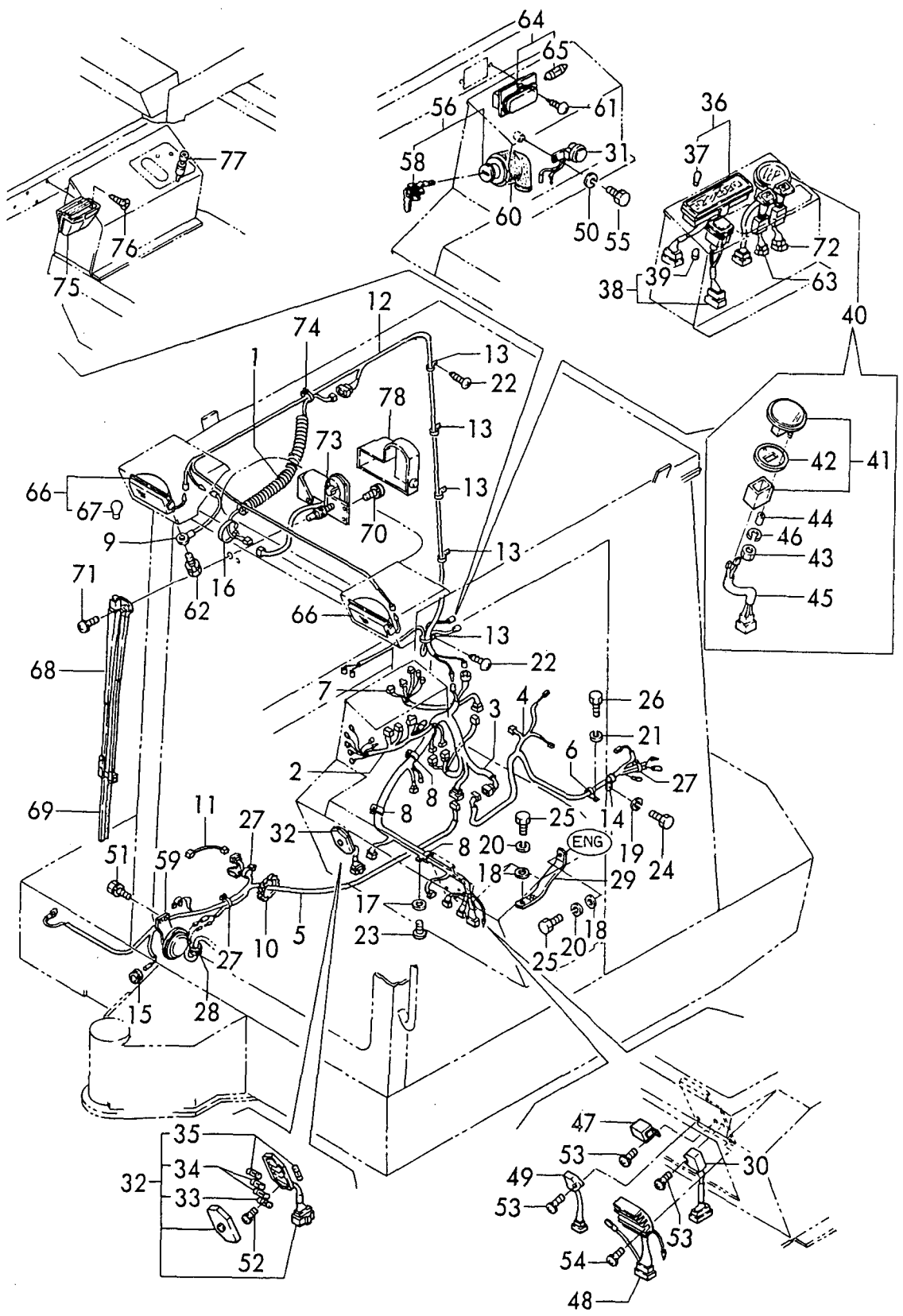


1,1,,172137-16000,,WIRE,1,,1,,1,,,,,,,,,,,,,  
2,1,,172142-16500,,,"HARNESS(A), WIRE",1,1,1,,,,,,,,,,,,,  
3,1,,172142-16510,,,"HARNESS(B), WIRE",1,1,1,,,,,,,,,,,,,  
4,1,,172142-16520,,,"HARNESS(C), WIRE",1,1,1,,,,,,,,,,,,,  
5,1,,172142-16530,,,"HARNESS(D), WIRE",1,1,1,,,,,,,,,,,,,  
6,1,,172126-16540,,,"CLAMP 10X70",1,1,1,,,,,,,,,,,,,  
7,1,,172142-16540,,,"HARNESS(E), WIRE",1,1,1,,,,,,,,,,,,,  
8,1,,172142-16550,,CLAMP,3,,3,,3,,,,,,,,,,,,,  
9,1,,172116-16560,,,"LEAD WIRE(B)",1,1,1,,,,,,,,,,,,,  
10,1,,172142-16560,,,"BUSH 10X225",1,1,1,,,,,,,,,,,,,  
11,1,,172122-16570,,,"LINK, FUSIBLE",1,1,1,,,,,,,,,,,,,  
12,1,,172142-16580,,,"HARNESS,WIRE(CABIN T",1,1,1,,,,,,,,,,,,,  
13,1,,172122-16590,,,"BAND 200F",5,,5,,5,,,,,,,,,,,,,  
14,1,,194440-51620,,,"CLAMP, WIRE HARNESS",1,1,1,,,,,,,,,,,,,  
15,1,,1A1380-58050,,,"GROMMET 16X20X4.5",1,1,1,,,,,,,,,,,,,  
16,1,,172122-79890,,,"CLAMP 350",1,1,1,,,,,,,,,,,,,  
17,1,,22137-060000,,,"WASHER 6, POLISHED",3,3,3,,,,,,,,,,,,,  
18,1,,22137-100000,,,"WASHER 10,POLISHED",2,2,2,,,,,,,,,,,,,  
19,1,,22217-080000,,,"SPRING WASHER 8",1,1,1,,,,,,,,,,,,,  
20,1,,22217-100000,,,"SPRING WASHER 10",2,2,2,,,,,,,,,,,,,  
21,1,,22217-100000,,,"SPRING WASHER 10",1,1,1,,,,,,,,,,,,,  
22,1,,22857-400120,,,"SCREW 4X12",5,,5,,5,,,,,,,,,,,,,  
23,1,,26022-060162,,,"SCREW M 6X 16",3,3,3,,,,,,,,,,,,,  
24,1,,26116-080122,,,"BOLT M 8X 12 PLATED",1,1,1,,,,,,,,,,,,,  
25,1,,26116-100162,,,"BOLT M10X 16 PLATED",2,2,2,,,,,,,,,,,,,  
26,1,,26116-100162,,,"BOLT M10X 16 PLATED",1,1,1,,,,,,,,,,,,,  
27,1,,933168-55770,,,"BAND 146",3,,3,,3,,,,,,,,,,,,,  
28,1,,933168-56000,,,"GROMMET 17X19",1,1,1,,,,,,,,,,,,,  
29,1,,933171-15801,,,"WIRE, EARTH",1,1,1,,,,,,,,,,,,,  
30,1,,172141-17141,,,"UNIT, CHECKER",1,1,1,,,,,,,,,,,,,  
31,1,,172141-17150,,BUZZER,1,,1,,1,,,,,,,,,,,,,  
32,1,,172141-17160,,,"BOX, FUSE",1,1,1,,,,,,,,,,,,,  
33,2,,29411-050000,,,"FUSE ( 5A),CARTRIDGE",1,1,1,,,,,,,,,,,,,  
34,2,,29411-100000,,,"FUSE (10A),CARTRIDGE",2,2,2,,,,,,,,,,,,,  
35,2,,29411-150000,,,"FUSE (15A),CARTRIDGE",2,2,2,,,,,,,,,,,,,  
36,1,,172141-17171,,,"BOX, PILOT",1,1,1,,,,,,,,,,,,,  
37,2,,933113-05120,,,"BULB 12V 1.7W",3,3,3,,,,,,,,,,,,,  
38,1,,172141-17190,,,"SWITCH, WORK LAMP",1,1,1,,,,,,,,,,,,,  
39,2,,933113-05120,,,"BULB 12V 1.7W",1,1,1,,,,,,,,,,,,,  
39-1,2,,172141-17230,,,"BULB 24V-  
6W",1,1,1,,N,,72141361,M22334,,72141361,M22334,,,,,,,,,I  
40,1,,172147-17200,,,"METER, HOUR",1,1,1,,,,,,,,,,,,,  
41,2,,172147-17210,,,"CASE, HOUR METER",1,1,1,,,,,,,,,,,,,  
42,2,,172147-17220,,,"CAP, HOUR METER",1,1,1,,,,,,,,,,,,,  
43,2,,172147-17230,,NUT,2,,2,,2,,,,,,,,,,,,,  
44,2,,172147-17240,,SLEEVE,2,,2,,2,,,,,,,,,,,,,  
45,2,,172147-17250,,,"WIRE,LEAD",1,1,1,,,,,,,,,,,,,  
46,2,,22217-050000,,,"SPRING WASHER 5",2,2,2,,,,,,,,,,,,,  
47,1,,121522-77101,,RELAY,1,,1,,1,,,,,,,,,,,,,  
48,1,,119640-77711,,,"LIMITER,CURRENT",1,1,1,,,,,,,,,,,,,  
49,1,,121522-77721,,,"INDICATOR, CHARGING",1,1,1,,,,,,,,,,,,,  
50,1,,22217-060000,,,"SPRING WASHER 6",1,1,1,,,,,,,,,,,,,  
51,1,,26013-060122,,,"BOLT M 6X 12",2,2,2,,,,,,,,,,,,,  
52,1,,26022-050162,,,"SCREW M 5X 16",2,2,2,,,,,,,,,,,,,  
53,1,,26022-060162,,,"SCREW M 6X 16",3,3,3,,,,,,,,,,,,,  
54,1,,26022-060252,,,"SCREW M 6X 25",2,2,2,,,,,,,,,,,,,  
55,1,,26116-060122,,,"BOLT M 6X 12",1,1,1,,,,,,,,,,,,,  
56,1,,933110-00100,,,"SWITCH ASSY, STARTER",1,1,1,,,,,,,,,,,,,  
58,2,,933110-00301,,,"KEY ASSY",1,1,1,,,,,,,,,,,,,  
59,1,,933110-05300,,HORN,1,,1,,1,,,,,,,,,,,,,  
60,1,,933113-15900,,,"COVER, SWITCH TERMI.",1,1,1,,,,,,,,,,,,,  
61,1,,22857-400100,,,"SCREW 4X10",2,2,2,,,,,,,,,,,,,  
62,1,,26013-080162,,,"BOLT W/WASHER M8X16",2,2,2,,,,,,,,,,,,,



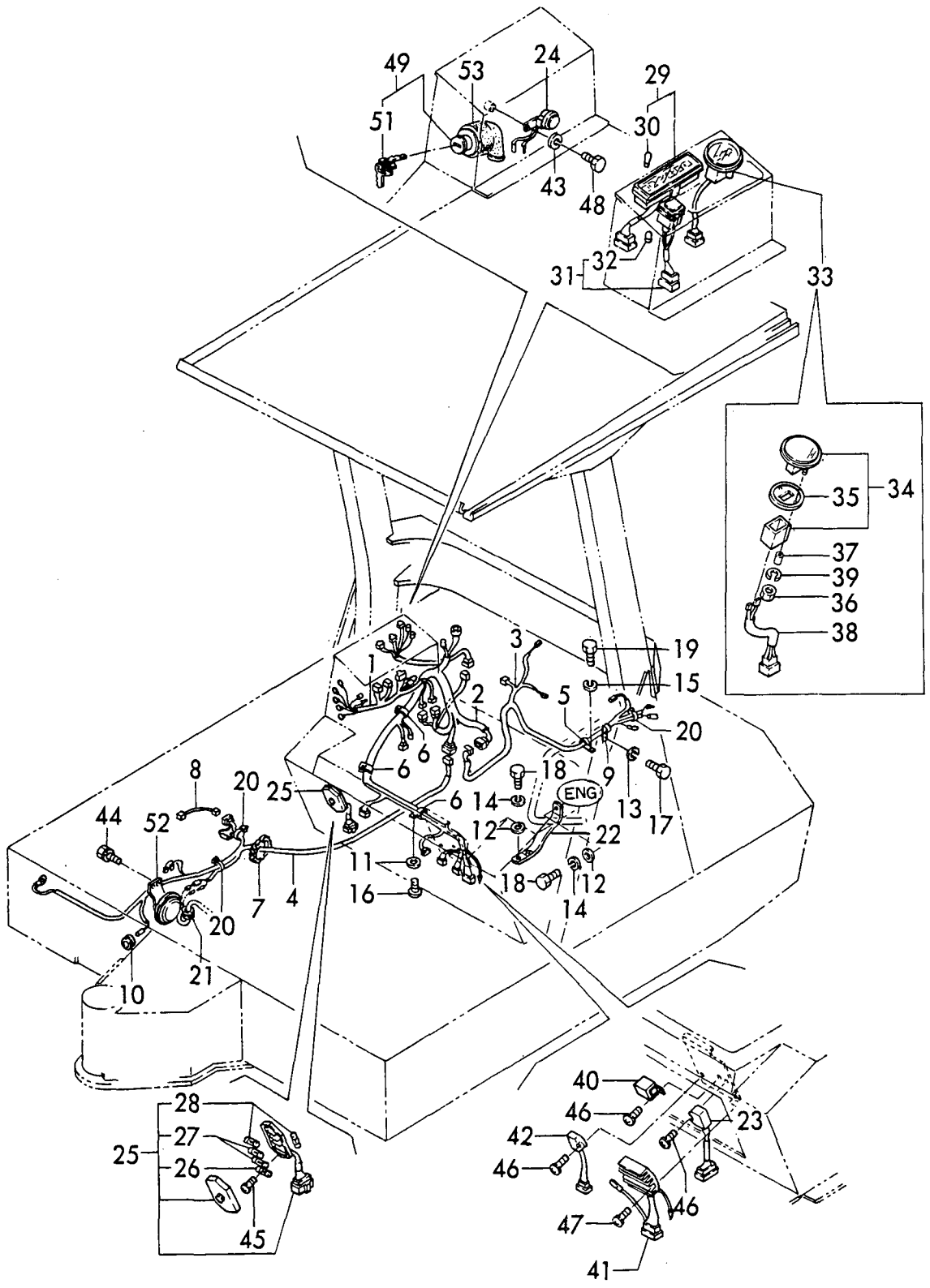
63,1,,933113-03000,, "SWITCH, LIGHTING",1,,1,,1,,,,,,,,,,,,,  
64,1,,933113-05150,, "LAMP, ROOM",1,,1,,1,,,,,,,,,,,,,  
65,2,,933113-05160,, "BULB (12V5W)",1,,1,,1,,,,,,,,,,,,,  
66,1,,933113-05220,, "LAMP, HEAD",2,,2,,2,,,,,,,,,,,,,  
67,2,,933113-05230,, "BULB (12V20W)",2,,2,,2,,,,,,,,,,,,,  
68,1,,172135-16540,, "ARM 550, WIPER",1,,1,,1,,,,,,,,,,,,,  
69,1,,172734-17070,, "BLADE 450, WIPER",1,,1,,1,,,,,,,,,,,,,  
70,1,,26013-060122,, "BOLT M 6X 12",3,,3,,3,,,,,,,,,,,,,  
71,1,,26022-060162,, "SCREW M 6X 16",1,,1,,1,,,,,,,,,,,,,  
72,1,,933113-03100,, "SWITCH, WIPER",1,,1,,1,,,,,,,,,,,,,  
73,1,,933113-16200,, "MOTER 520 A, WIPER",1,,1,,1,,,,,,,,,,,,,  
74,1,,933168-55770,, "BAND 146",1,,1,,1,,,,,,,,,,,,,  
75,1,,172312-17250,, "ASHTRAY",1,,1,,1,,,,,,,,,,,,,  
76,1,,22867-400100,, "SCREW 4X10",3,,3,,3,,,,,,,,,,,,,  
77,1,,933113-15000,, "CIGAR LIGHTER ASSY",1,,1,,1,,,,,,,,,,,,,  
78,1,,172151-17300,, "COVER,,,,,1,,,,,,,,,,,,,I

Fig. **14** デンソウヒン(キャビン)  
ELECTRIC PART (CABIN SPEC.)



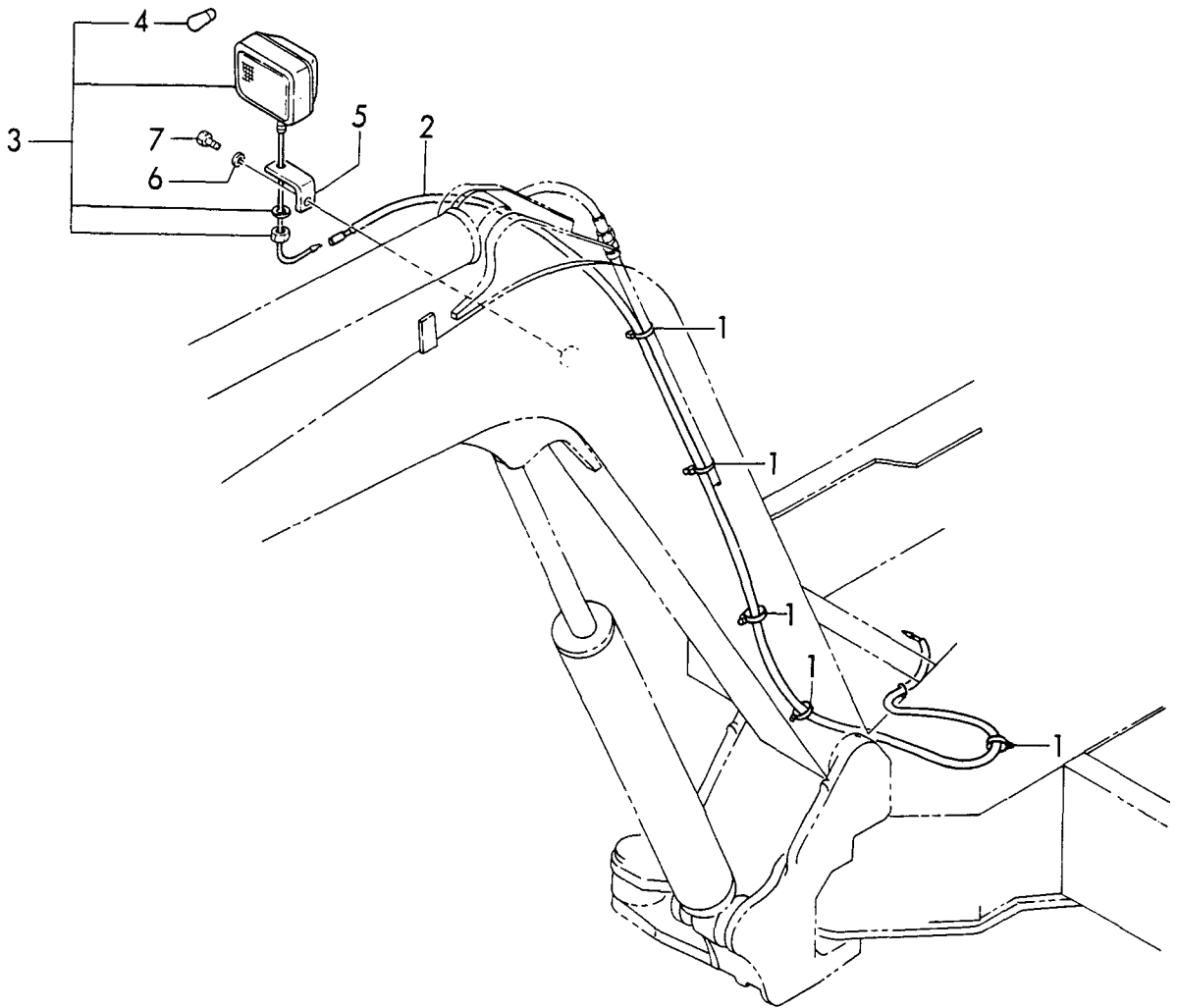
1,1,,172142-16500,, "HARNESS(A), WIRE",,1,,1,,1,,,,,,,,,,,,,  
2,1,,172142-16510,, "HARNESS(B), WIRE",,1,,1,,1,,,,,,,,,,,,,  
3,1,,172142-16520,, "HARNESS(C), WIRE",,1,,1,,1,,,,,,,,,,,,,  
4,1,,172142-16530,, "HARNESS(D), WIRE",,1,,1,,1,,,,,,,,,,,,,  
5,1,,172126-16540,, "CLAMP 10X70",,1,,1,,1,,,,,,,,,,,,,  
6,1,,172142-16550,, CLAMP,,3,,3,,3,,,,,,,,,,,,,  
7,1,,172142-16560,, "BUSH 10X225",,1,,1,,1,,,,,,,,,,,,,  
8,1,,172122-16570,, "LINK, FUSIBLE",,1,,1,,1,,,,,,,,,,,,,  
9,1,,194440-51620,, "CLAMP, WIRE HARNESS",,1,,1,,1,,,,,,,,,,,,,  
10,1,,1A1380-58050,, "GROMMET 16X20X4.5",,1,,1,,1,,,,,,,,,,,,,  
11,1,,22137-060000,, "WASHER 6, POLISHED",,3,,3,,3,,,,,,,,,,,,,  
12,1,,22137-100000,, "WASHER 10,POLISHED",,2,,2,,2,,,,,,,,,,,,,  
13,1,,22217-080000,, "SPRING WASHER 8",,1,,1,,1,,,,,,,,,,,,,  
14,1,,22217-100000,, "SPRING WASHER 10",,2,,2,,2,,,,,,,,,,,,,  
15,1,,22217-100000,, "SPRING WASHER 10",,1,,1,,1,,,,,,,,,,,,,  
16,1,,26022-060162,, "SCREW M 6X 16",,3,,3,,3,,,,,,,,,,,,,  
17,1,,26116-080122,, "BOLT M 8X 12 PLATED",,1,,1,,1,,,,,,,,,,,,,  
18,1,,26116-100162,, "BOLT M10X 16 PLATED",,2,,2,,2,,,,,,,,,,,,,  
19,1,,26116-100162,, "BOLT M10X 16 PLATED",,1,,1,,1,,,,,,,,,,,,,  
20,1,,933168-55770,, "BAND 146",,3,,3,,3,,,,,,,,,,,,,  
21,1,,933168-56000,, "GROMMET 17X19",,1,,1,,1,,,,,,,,,,,,,  
22,1,,933171-15801,, "WIRE, EARTH",,1,,1,,1,,,,,,,,,,,,,  
23,1,,172141-17141,, "UNIT, CHECKER",,1,,1,,1,,,,,,,,,,,,,  
24,1,,172141-17150,, BUZZER,,1,,1,,1,,,,,,,,,,,,,  
25,1,,172141-17160,, "BOX, FUSE",,1,,1,,1,,,,,,,,,,,,,  
26,2,,29411-050000,, "FUSE ( 5A),CARTRIDGE",,1,,1,,1,,,,,,,,,,,,,  
27,2,,29411-100000,, "FUSE (10A),CARTRIDGE",,2,,2,,2,,,,,,,,,,,,,  
28,2,,29411-150000,, "FUSE (15A),CARTRIDGE",,2,,2,,2,,,,,,,,,,,,,  
29,1,,172141-17171,, "BOX, PILOT",,1,,1,,1,,,,,,,,,,,,,  
30,2,,933113-05120,, "BULB 12V 1.7W",,3,,3,,3,,,,,,,,,,,,,  
31,1,,172141-17190,, "SWITCH, WORK LAMP",,1,,1,,1,,,,,,,,,,,,,  
32,2,,933113-05120,, "BULB 12V 1.7W",,1,,1,,,,,,,,,,,,,  
32-1,2,,172141-17230,, "BULB 24V-  
6W",,1,,1,,1,N,, ,72141361,M22334,, ,72141361,M22334,,,,,I  
33,1,,172147-17200,, "METER, HOUR",,1,,1,,1,,,,,,,,,,,,,  
34,2,,172147-17210,, "CASE, HOUR METER",,1,,1,,1,,,,,,,,,,,,,  
35,2,,172147-17220,, "CAP, HOUR METER",,1,,1,,1,,,,,,,,,,,,,  
36,2,,172147-17230,, NUT,,2,,2,,2,,,,,,,,,,,,,  
37,2,,172147-17240,, SLEEVE,,2,,2,,2,,,,,,,,,,,,,  
38,2,,172147-17250,, "WIRE,LEAD",,1,,1,,1,,,,,,,,,,,,,  
39,2,,22217-050000,, "SPRING WASHER 5",,2,,2,,2,,,,,,,,,,,,,  
40,1,,121522-77101,, RELAY,,1,,1,,1,,,,,,,,,,,,,  
41,1,,119640-77711,, "LIMITER,CURRENT",,1,,1,,1,,,,,,,,,,,,,  
42,1,,121522-77721,, "INDICATOR, CHARGING",,1,,1,,1,,,,,,,,,,,,,  
43,1,,22217-060000,, "SPRING WASHER 6",,1,,1,,1,,,,,,,,,,,,,  
44,1,,26013-060122,, "BOLT M 6X 12",,2,,2,,2,,,,,,,,,,,,,  
45,1,,26022-050162,, "SCREW M 5X 16",,2,,2,,2,,,,,,,,,,,,,  
46,1,,26022-060162,, "SCREW M 6X 16",,3,,3,,3,,,,,,,,,,,,,  
47,1,,26022-060252,, "SCREW M 6X 25",,2,,2,,2,,,,,,,,,,,,,  
48,1,,26116-060122,, "BOLT M 6X 12",,1,,1,,1,,,,,,,,,,,,,  
49,1,,933110-00100,, "SWITCH ASSY, STARTER",,1,,1,,1,,,,,,,,,,,,,  
51,2,,933110-00301,, "KEY ASSY",,1,,1,,1,,,,,,,,,,,,,  
52,1,,933110-05300,, HORN,,1,,1,,1,,,,,,,,,,,,,  
53,1,,933113-15900,, "COVER, SWITCH TERMI.",,1,,1,,1,,,,,,,,,,,,,

Fig. 15 デンソウヒン(キャノピ)  
ELECTRIC PART (CANOPY SPEC.)



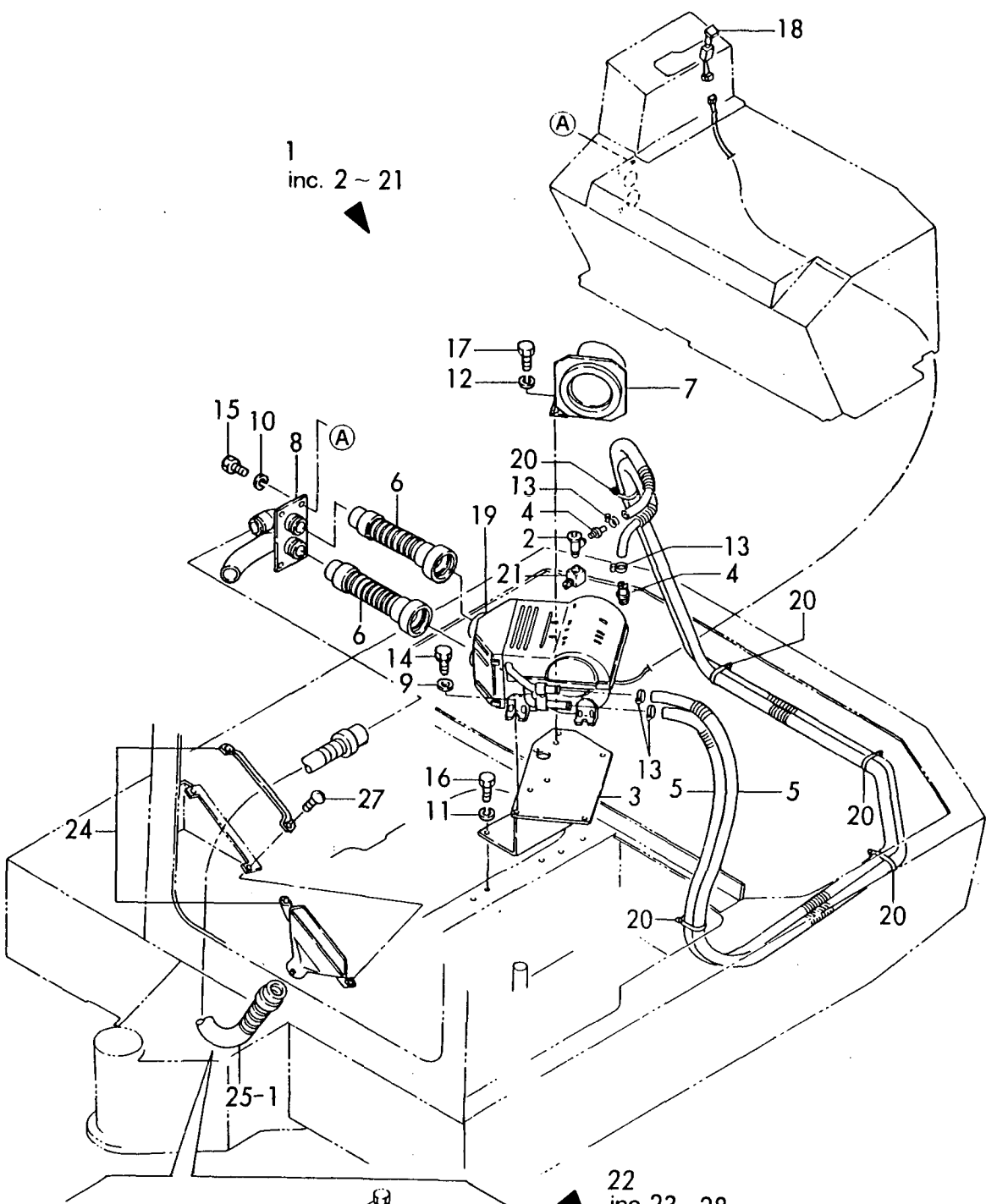
1,1,,172137-16560,,BAND,5,5,5,5,5,5,,,,,,,,,,,,,  
2,1,,172141-16560,, "WIRE, LAMP",1,1,1,1,1,1,,,,,,,,,,,,,  
3,1,,172141-17200,, "LAMP, WORK",1,1,1,1,1,1,,,,,,,,,,,,,  
4,2,,172141-17210,, "BULB 12V 60W",1,1,1,1,1,1,,,,,,,,,,,,,  
5,1,,172137-17400,, "STAY, BOOM LIGHT",1,1,1,1,1,1,,,,,,,,,,,,,  
6,1,,22217-120000,, "WASHER 12, SPRING",1,1,1,1,1,1,,,,,,,,,,,,,  
7,1,,26116-120252,, "BOLT M12X 25 PLATED",1,1,1,1,1,1,,,,,,,,,,,,,

Fig. **16** ワークランプ  
WORK LAMP



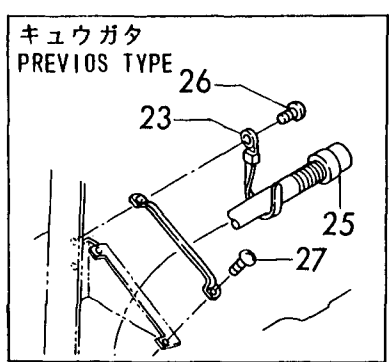
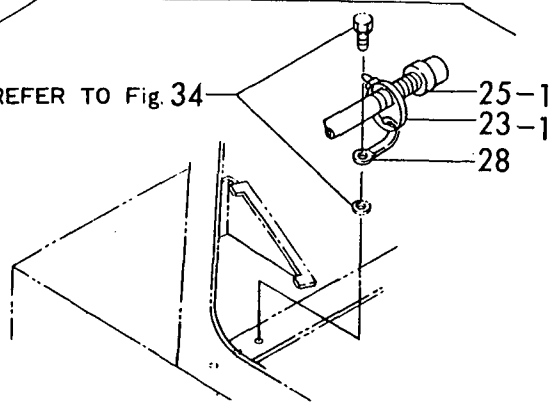
1,1,,772142-17601,, "HEATER ASSY",1,,1,,1,,,,,,,,,,,,,  
2,2,,172124-17630,, "VALVE, MINIATURE",1,,1,,1,,,,,,,,,,,,,  
3,2,,172142-17601,, "SEAT, HEATER",1,,1,,1,,,,,,,,,,,,,  
4,2,,172124-17640,, "JOINT 3/8",2,,2,,2,,,,,,,,,,,,,  
5,2,,172142-17640,, "HOSE, HEATER",2,,2,,2,,,,,,,,,,,,,  
6,2,,172142-17671,, "HOSE, HEATER",2,,2,,2,,,,,,,,,,,,,  
7,2,,172142-17690,, "DUCT",1,,1,,1,,,,,,,,,,,,,  
8,2,,172142-17750,, "PIPE",1,,1,,1,,,,,,,,,,,,,  
9,2,,22137-100000,, "WASHER 10,POLISHED",3,,3,,3,,,,,,,,,,,,,  
10,2,,22217-100000,, "SPRING WASHER 10",3,,3,,3,,,,,,,,,,,,,  
11,2,,22217-100000,, "SPRING WASHER 10",2,,2,,2,,,,,,,,,,,,,  
12,2,,22217-100000,, "SPRING WASHER 10",2,,2,,2,,,,,,,,,,,,,  
13,2,,23000-022000,, "CLAMP 22",4,,4,,4,,,,,,,,,,,,,  
14,2,,26013-100202,, "BOLT W/WASHER M10X20",3,,3,,3,,,,,,,,,,,,,  
15,2,,26116-100202,, "BOLT M10X 20 PLATED",3,,3,,3,,,,,,,,,,,,,  
16,2,,26116-100202,, "BOLT M10X 20 PLATED",2,,2,,2,,,,,,,,,,,,,  
17,2,,26116-100202,, "BOLT M10X 20 PLATED",2,,2,,2,,,,,,,,,,,,,  
18,2,,933113-03200,, "SWITCH, HEATER",1,,1,,1,,,,,,,,,,,,,  
19,2,,933113-15700,, "HEATER ASSY",1,,1,,1,,,,,,,,,,,,,  
20,2,,933152-09280,, "BAND 170",5,,5,,5,,,,,,,,,,,,,  
21,2,,933166-24240,, "ELBOW, SWIVEL JOINT",1,,1,,1,,,,,,,,,,,,,  
22,1,,772142-17710,, "DEFROSTER ASY, T",1,,1,,1,,,,,,,,,,,,,  
23,2,,172122-16590,, "BAND 200F",1,,1,,,,,,,,,,,,,  
23-1,2,,172122-79890,, "CLAMP  
350",1,,1,,1,,S,,72142304,M21109,,72142304,M21109,,,,,,I  
24,2,,172120-17710,, "NOZZLE, DEFROSTER",1,,1,,1,,,,,,,,,,,,,  
25,2,,172142-17810,, "HOSE",1,,1,,,,,,,,,,,,,  
25-1,2,,172142-17830,, "HOSE",1,,1,,1,,S,,72142304,M21109,,72142304,M21109,,,,,,I  
26,2,,22857-400120,, "SCREW  
4X12",1,,1,,1,,Z,,72142304,M21109,,72142304,M21109,,,,,,I  
27,2,,26557-050102,, "SCREW M 5X 10",2,,2,,2,,,,,,,,,,,,,  
28,2,,172126-16540,, "CLAMP  
10X70",1,,1,,1,,W,,72142304,M21109,,72142304,M21109,,,,,,I

Fig. 17 ヒータ & デフロスタ  
HEATER & DEFROSTER



22  
inc. 23~28

REFER TO Fig. 34



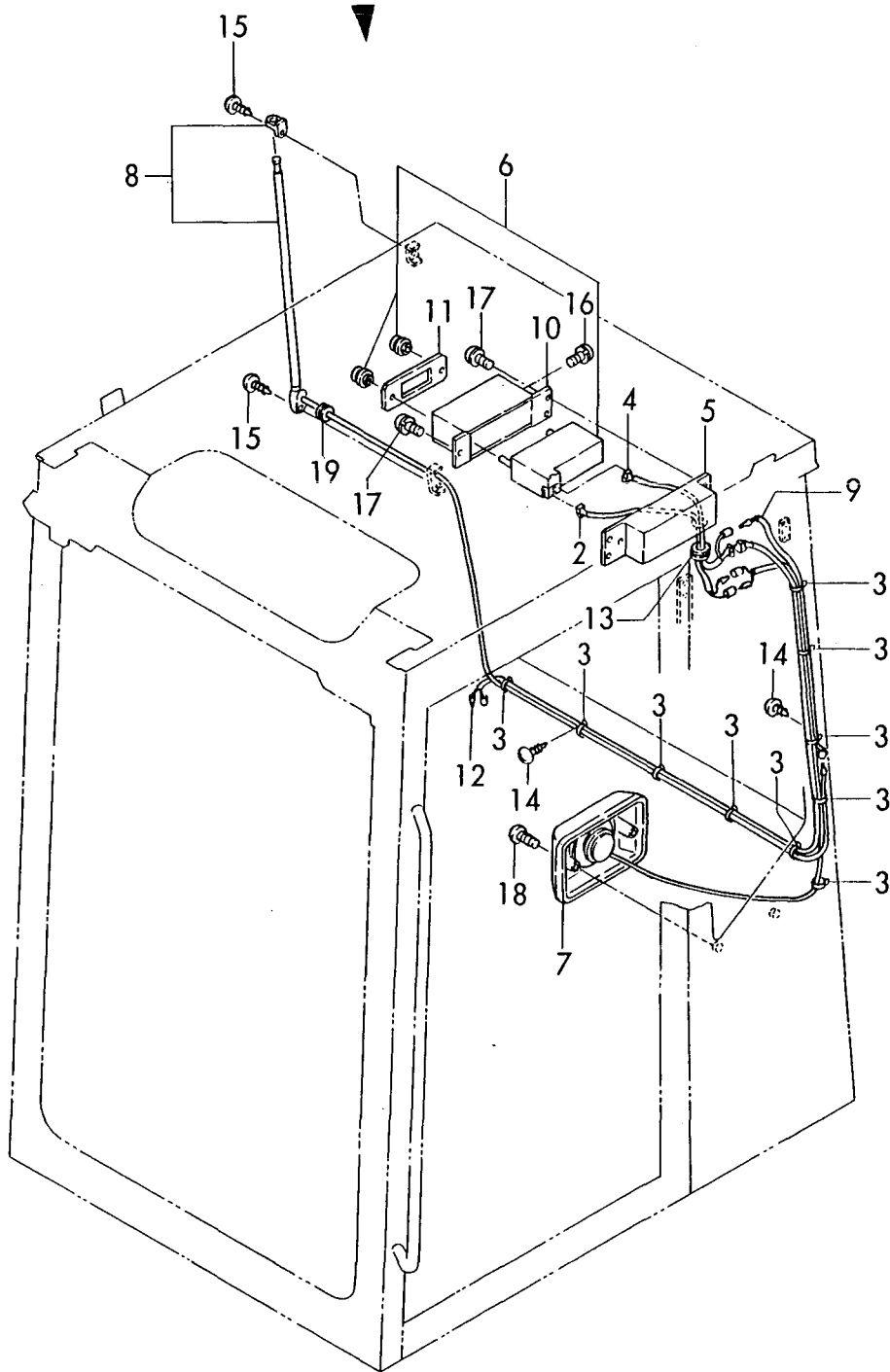


1,1,,772142-17810,, "RADIO ASY",1,,,,,,,,,,,,,,,,,,,,,  
2,2,,172119-16590,, "LEAD WIRE",1,,,,,,,,,,,,,,,,,,,,,  
3,2,,172122-16590,, "BAND 200F",10,,,,,,,,,,,,,,,,,,,,,  
4,2,,172122-16680,, "CONNECTOR",1,,,,,,,,,,,,,,,,,,,,,  
5,2,,172135-17140,, "BRACKET (B)",1,,,,,,,,,,,,,,,,,,,,,  
6,2,,172119-17150,, "AM-FM RADIO 5PB",1,,,,,,,,,,,,,,,,,,,,,  
7,2,,172112-17171,, "SPEAKER (SPA-413)",1,,,,,,,,,,,,,,,,,,,,,  
8,2,,172112-17190,, "ANTENNA (NCP-314)",1,,,,,,,,,,,,,,,,,,,,,  
9,2,,172135-17210,, "LEAD WIRE, ANTENNA",1,,,,,,,,,,,,,,,,,,,,,  
10,2,,172142-17850,, "BRACKET, RADIO",1,,,,,,,,,,,,,,,,,,,,,  
11,2,,172142-17880,, "PLATE,RADIO",1,,,,,,,,,,,,,,,,,,,,,  
12,2,,172142-17890,, "LEAD WIRE,RADIO",1,,,,,,,,,,,,,,,,,,,,,  
13,2,,172112-69300,, "GROMMET 22X2",1,,,,,,,,,,,,,,,,,,,,,  
14,2,,22857-400120,, "SCREW 4X12",10,,,,,,,,,,,,,,,,,,,,,  
15,2,,22857-500120,, "SCREW 5X12",2,,,,,,,,,,,,,,,,,,,,,  
16,2,,26023-050122,, "SCREW M 5X 12",2,,,,,,,,,,,,,,,,,,,,,  
17,2,,26023-060122,, "SCREW M 6X 12",5,,,,,,,,,,,,,,,,,,,,,  
18,2,,26557-040122,, "SCREW M 4X 12,PAN HD",2,,,,,,,,,,,,,,,,,,,,,  
19,2,,933168-56000,, "GROMMET 17X19",1,,,,,,,,,,,,,,,,,,,,,

# 18 ラジオ (スイス) RADIO (SWISS SPEC.)

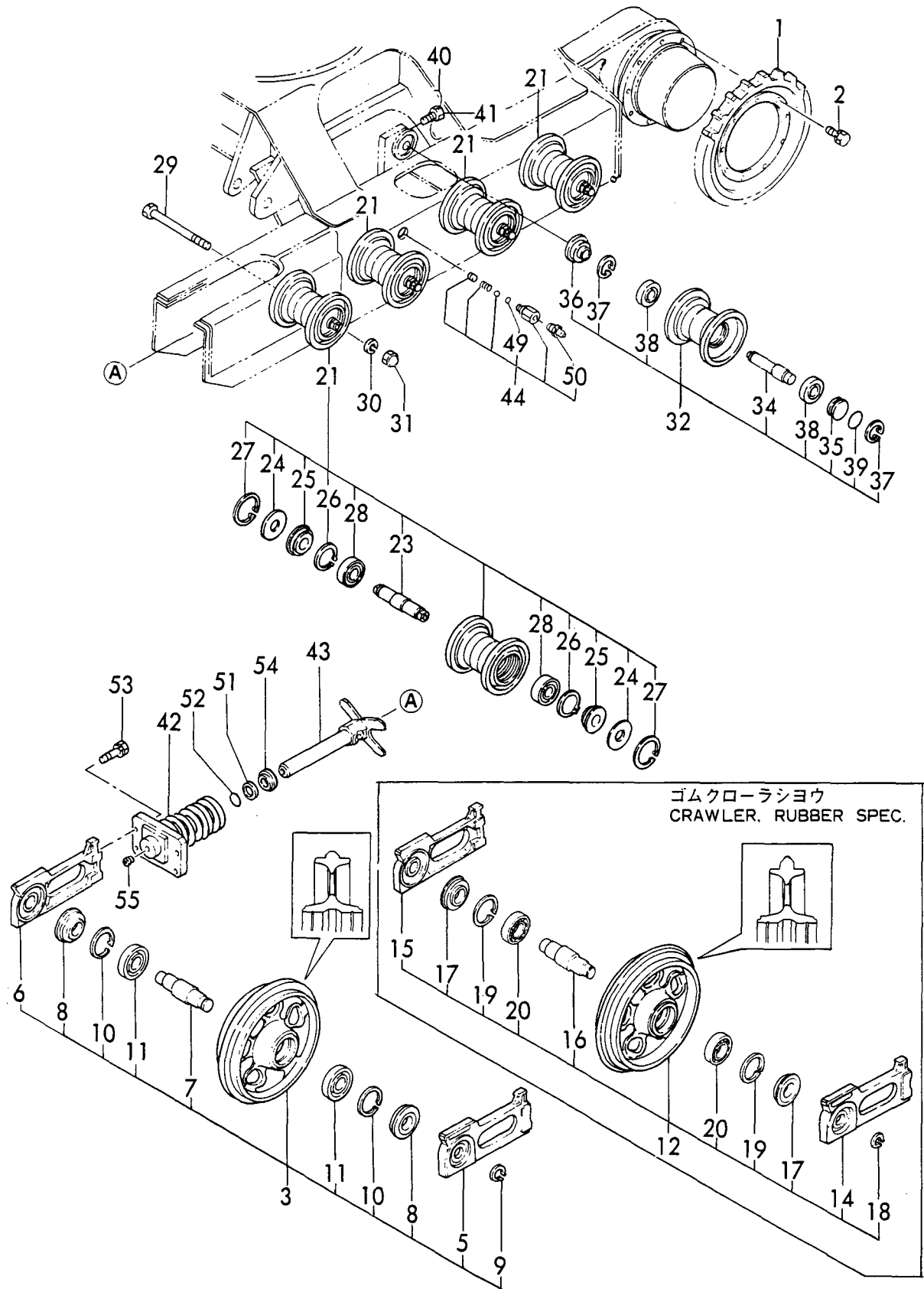
Fig.

1  
inc. 2 ~ 19



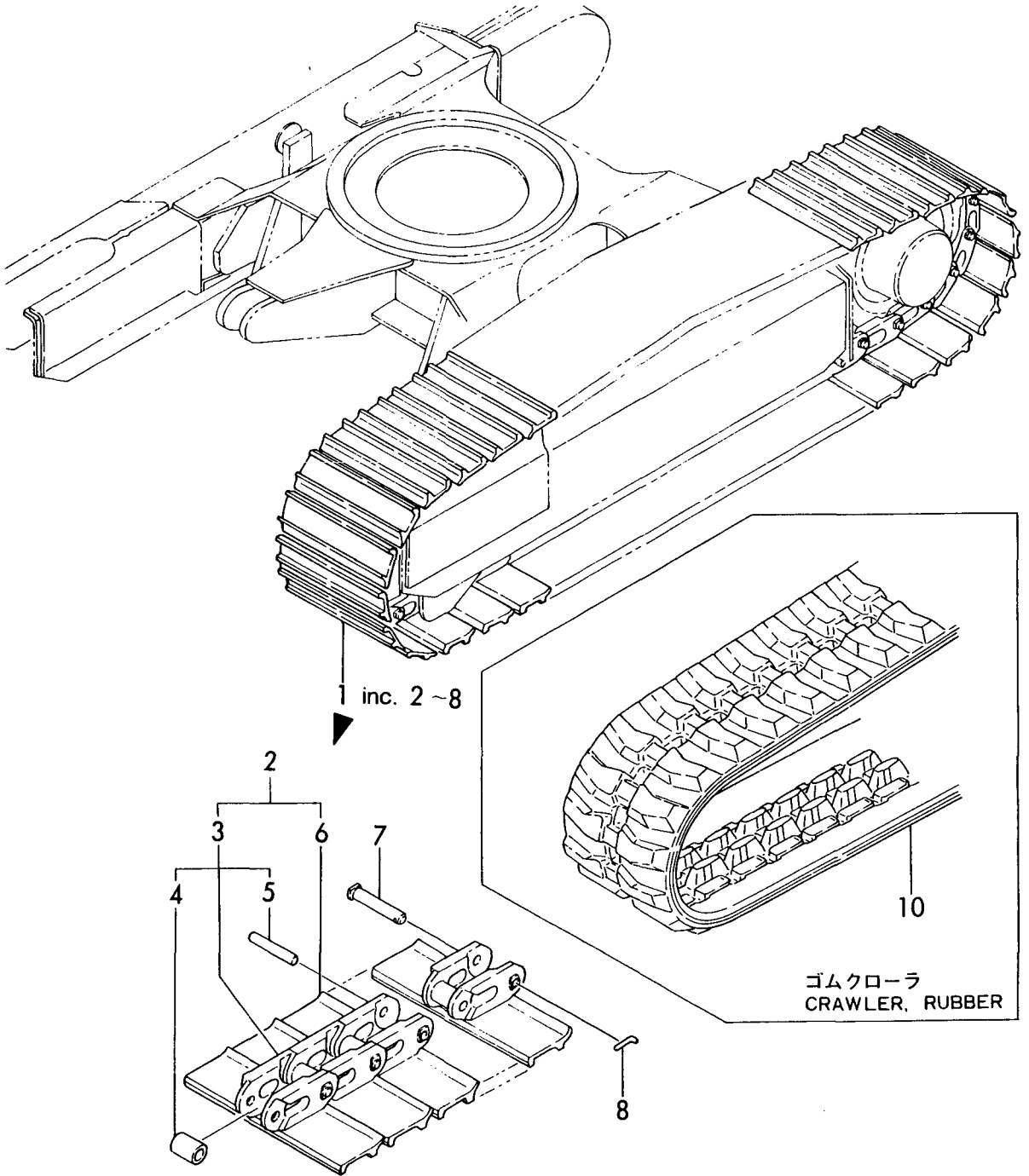
1,1,,172141-29110,,SPROCKET,2,2,2,2,2,2,,,,,,,,,,,,,  
2,2,,26013-120302,, "BOLT W/WASHER M12X30",18,18,18,18,18,18,,,,,,,,,,,,,  
3,1,,772141-37100,, "IDLER 280 ASSY",2,2,2,2,2,2,,,,,,,,,,,,,  
5,2,,172141-37110,, "FORK(L), IDLER",2,2,2,2,2,2,,,,,,,,,,,,,  
6,2,,172141-37120,, "FORK(R), IDLER",2,2,2,2,2,2,,,,,,,,,,,,,  
7,2,,172141-37130,, "SHAFT, IDLER",2,2,2,2,2,2,,,,,,,,,,,,,  
8,2,,172141-37140,, "SEAL 357220",4,4,4,4,4,4,,,,,,,,,,,,,  
9,2,,22242-000300,, "CIRCLIP 30",2,2,2,2,2,2,,,,,,,,,,,,,  
10,2,,22252-000720,, "CIRCLIP 72",4,4,4,4,4,4,,,,,,,,,,,,,  
11,2,,24101-062074,, "BALL BEARING",4,4,4,4,4,4,,,,,,,,,,,,,  
12,1,,772146-37100,, "IDLER 280 ASSY",2,2,2,2,2,2,1,,,,,,,,,,,,,  
14,2,,172141-37110,, "FORK(L), IDLER",2,2,2,2,2,2,,,,,,,,,,,,,  
15,2,,172141-37120,, "FORK(R), IDLER",2,2,2,2,2,2,,,,,,,,,,,,,  
16,2,,172141-37130,, "SHAFT, IDLER",2,2,2,2,2,2,,,,,,,,,,,,,  
17,2,,172141-37140,, "SEAL 357220",4,4,4,4,4,4,,,,,,,,,,,,,  
18,2,,22242-000300,, "CIRCLIP 30",2,2,2,2,2,2,,,,,,,,,,,,,  
19,2,,22252-000720,, "CIRCLIP 72",4,4,4,4,4,4,,,,,,,,,,,,,  
20,2,,24101-062074,, "BALL BEARING",4,4,4,4,4,4,,,,,,,,,,,,,  
21,1,,772142-37300,, "ROLLER ASSY, TRACK",8,8,8,8,8,8,,,,,,,,,,,,,  
23,2,,172146-37310,, "SHAFT, ROLLER",8,8,8,8,8,8,,,,,,,,,,,,,  
24,2,,172141-37320,, "SPACER 75X2.6",16,16,16,16,16,16,,,,,,,,,,,,,  
25,2,,1A1030-48250,, "SEAL QLF30621218,OIL",16,16,16,16,16,16,,,,,,,,,,,,,  
26,2,,22252-000620,, "CIRCLIP 62(H)",16,16,16,16,16,16,,,,,,,,,,,,,  
27,2,,22252-000750,, "CIRCLIP 75",16,16,16,16,16,16,,,,,,,,,,,,,  
28,2,,933111-73800,, BEARING,16,16,16,16,16,16,,,,,,,,,,,,,  
29,1,,172113-36050,, "BOLT, ROLLER ADJUST",8,8,8,8,8,8,,,,,,,,,,,,,  
30,1,,22217-160000,, "SPRING WASHER 16",8,8,8,8,8,8,,,,,,,,,,,,,  
31,1,,26657-160002,, "CAP NUT M16",8,8,8,8,8,8,,,,,,,,,,,,,  
32,1,,772146-37501,, "ROLLER ASSY, CARIA",2,2,2,2,2,2,,,,,,,,,,,,,  
34,2,,172146-37510,, "SHAFT, CARIA ROLLER",2,2,2,2,2,2,,,,,,,,,,,,,  
35,2,,172116-37540,, "COVER, BLIND",2,2,2,2,2,2,,,,,,,,,,,,,  
36,2,,1E6140-73420,, "SEAL QLF255218, OIL",2,2,2,2,2,2,,,,,,,,,,,,,  
37,2,,22252-000520,, "CIRCLIP 52",4,4,4,4,4,4,,,,,,,,,,,,,  
38,2,,24101-062054,, "BEARING #6205",4,4,4,4,4,4,,,,,,,,,,,,,  
39,2,,24311-000460,, "O-RING 1A P-46.0",2,2,2,2,2,2,,,,,,,,,,,,,  
40,1,,22451-160170,, "WIRE 1.6X170",2,2,2,2,2,2,,,,,,,,,,,,,  
41,1,,933110-21600,, "BOLT M 8X 18",2,2,2,2,2,2,,,,,,,,,,,,,  
42,1,,172146-37700,, SPRING,2,2,2,2,2,2,,,,,,,,,,,,,  
43,1,,172141-37800,, "PISTON, ADJUST",2,2,2,2,,,,,,,,,,,,,  
43-1,1,,172141-37801,, "PISTON,  
ADJUST",2,2,2,2,2,2,S,,72149113,M21270,72149113,M21270,72149113,M21270,72149113,  
M21270,,,,,I  
44,1,,172122-37842,, "VALVE ASSY, NIPPLE",2,2,2,2,,,,,,,,,,,,,  
44-1,1,,172122-37843,, "VALVE ASSY,  
NIPPLE",2,2,2,2,2,2,S,,72149113,M21270,72149113,M21270,72149113,M21270,72149113,  
M21270,,,,,I  
49,2,,24315-000120,, "O-RING 1B P-12.0",,,2,2,,,,,,,,,,,,,  
49-1,2,,24315-000140,, "O-RING 1B P-  
14.0",2,2,2,2,2,2,S,,72149113,M21270,72149113,M21270,72149113,M21270,72149113,M2  
1270,,,,,I  
50,2,,24761-020000,, "NIPPLE PT1/8,GREASE",2,2,2,2,2,2,,,,,,,,,,,,,  
51,1,,172141-37850,, "RING G35, BACK UP",2,2,2,2,2,2,,,,,,,,,,,,,  
52,1,,24325-000350,, "O-RING 1B G-35.0",2,2,2,2,2,2,,,,,,,,,,,,,  
53,1,,26013-100402,, "BOLT M10X 40",8,8,8,8,8,8,,,,,,,,,,,,,  
54,1,,933126-34300,, "SEAL 3547710",2,2,2,2,2,2,,,,,,,,,,,,,  
55,1,,933171-13691,, "PLUG PT1/8",2,2,2,2,2,2,,,,,,,,,,,,,

Fig. 19 ローラ & アジャスト  
 ROLLER & ADJUST

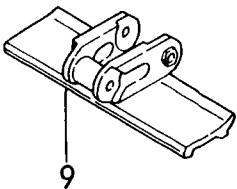


1,1,,772142-38100,, "CRAWLER ASSY",2,2,2,2,2,2,,,,,,,,,,,,,  
2,2,,172142-38100,, "CRAWLER 320 ASSY",2,2,2,2,2,2,,,,,,,,,,,,,  
3,3,,172142-38110,, "LINK ASSY, TRACK",2,2,2,2,2,2,,,,,,,,,,,,,  
4,4,,172141-38200,, BUSH,80,80,80,80,80,80,,,,,,,,,,,,,  
5,4,,172141-38210,, "PIN, CRAWLER",78,78,78,78,78,78,,,,,,,,,,,,,  
6,3,,172072-13790,, "PLATE, SHOE",80,80,80,80,80,80,,,,,,,,,,,,,  
7,2,,172141-38220,, "PIN, MASTER",2,2,2,2,2,2,,,,,,,,,,,,,  
8,2,,172614-38300,, "PIN 5X45, LOCK",2,2,2,2,2,2,,,,,,,,,,,,,  
9,1,,172141-38250,, "TRACK 320, MASTER",2,2,2,2,2,2,,,,,,,,,,,,,  
10,1,,172146-38600,, "CRAWLER, RUBBER",2,2,2,2,2,2,,,,,,,,,,,,,

Fig. **20** クローラ(320)  
CRAWLER (320)

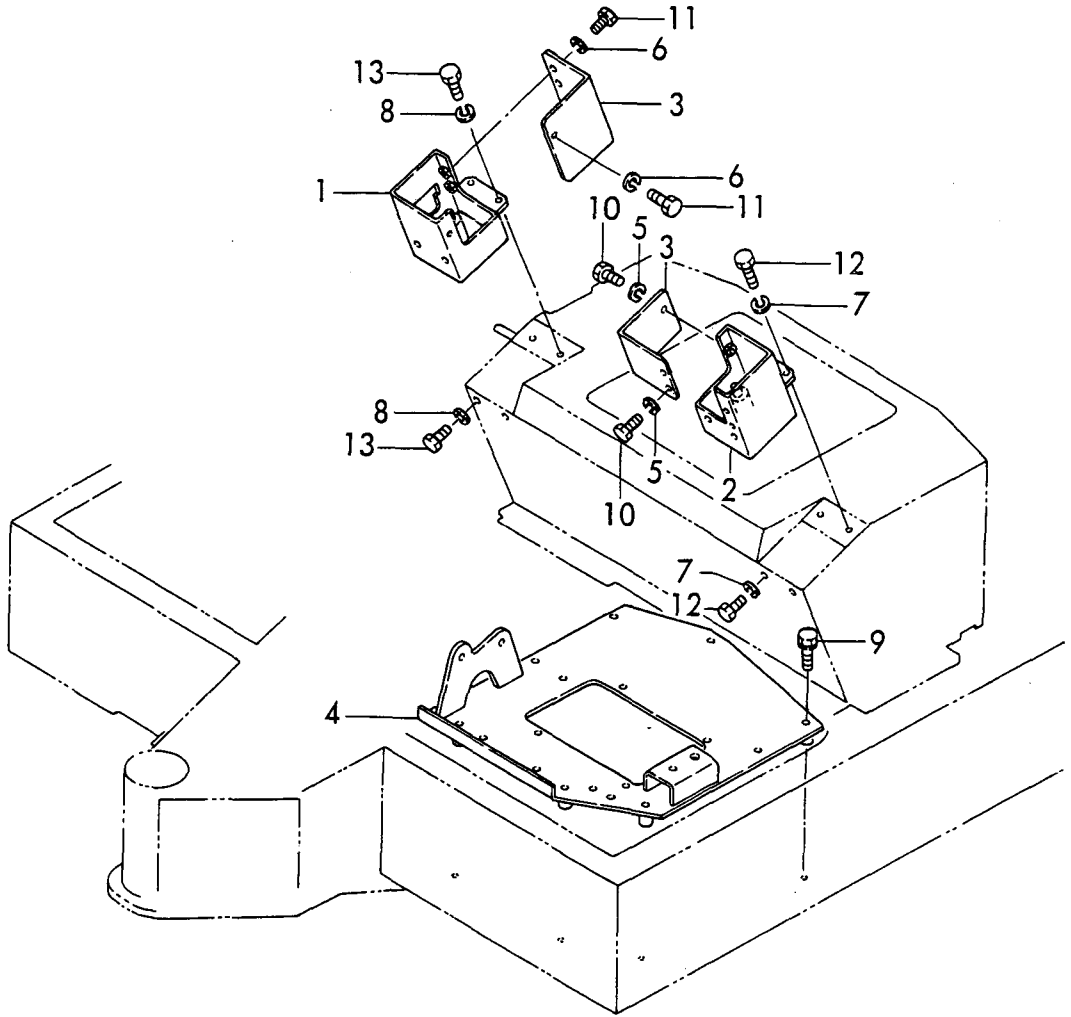


ホヨウヒン  
REPAIR PARTS



1,1,,172142-43300,, "SUPPORT,R",1,1,1,1,1,1,,,,,,,,,,,,,  
2,1,,172142-43330,, "SUPPORT,L",1,1,1,1,,,,,,,,,,,,,  
2-1,1,,172142-43331,, "SUPPORT,  
(L)",1,1,1,1,1,1,N,,72143020,\*1990.08,72143020,\*1990.08,72143020,\*1990.08,721430  
20,\*1990.08,,,,,I  
3,1,,172142-43390,, "COVER, SUPPORT",2,2,2,2,2,2,,,,,,,,,,,,,  
4,1,,172142-45470,, "PLATE, LINK",1,1,1,1,1,1,,,,,,,,,,,,,  
5,1,,22217-080000,, "SPRING WASHER 8",3,3,3,3,3,3,,,,,,,,,,,,,  
6,1,,22217-080000,, "SPRING WASHER 8",3,3,3,3,3,3,,,,,,,,,,,,,  
7,1,,22217-100000,, "SPRING WASHER 10",4,4,4,4,4,4,,,,,,,,,,,,,  
8,1,,22217-100000,, "SPRING WASHER 10",4,4,4,4,4,4,,,,,,,,,,,,,  
9,1,,26013-100452,, "BOLT M10X 45",6,6,6,6,6,6,,,,,,,,,,,,,  
10,1,,26116-080202,, "BOLT M 8X 20 PLATED",3,3,3,3,3,3,,,,,,,,,,,,,  
11,1,,26116-080202,, "BOLT M 8X 20 PLATED",3,3,3,3,3,3,,,,,,,,,,,,,  
12,1,,26116-100202,, "BOLT M10X 20 PLATED",4,4,4,4,4,4,,,,,,,,,,,,,  
13,1,,26116-100202,, "BOLT M10X 20 PLATED",4,4,4,4,4,4,,,,,,,,,,,,,

Fig. 21 リンクダイ  
LINK STAND

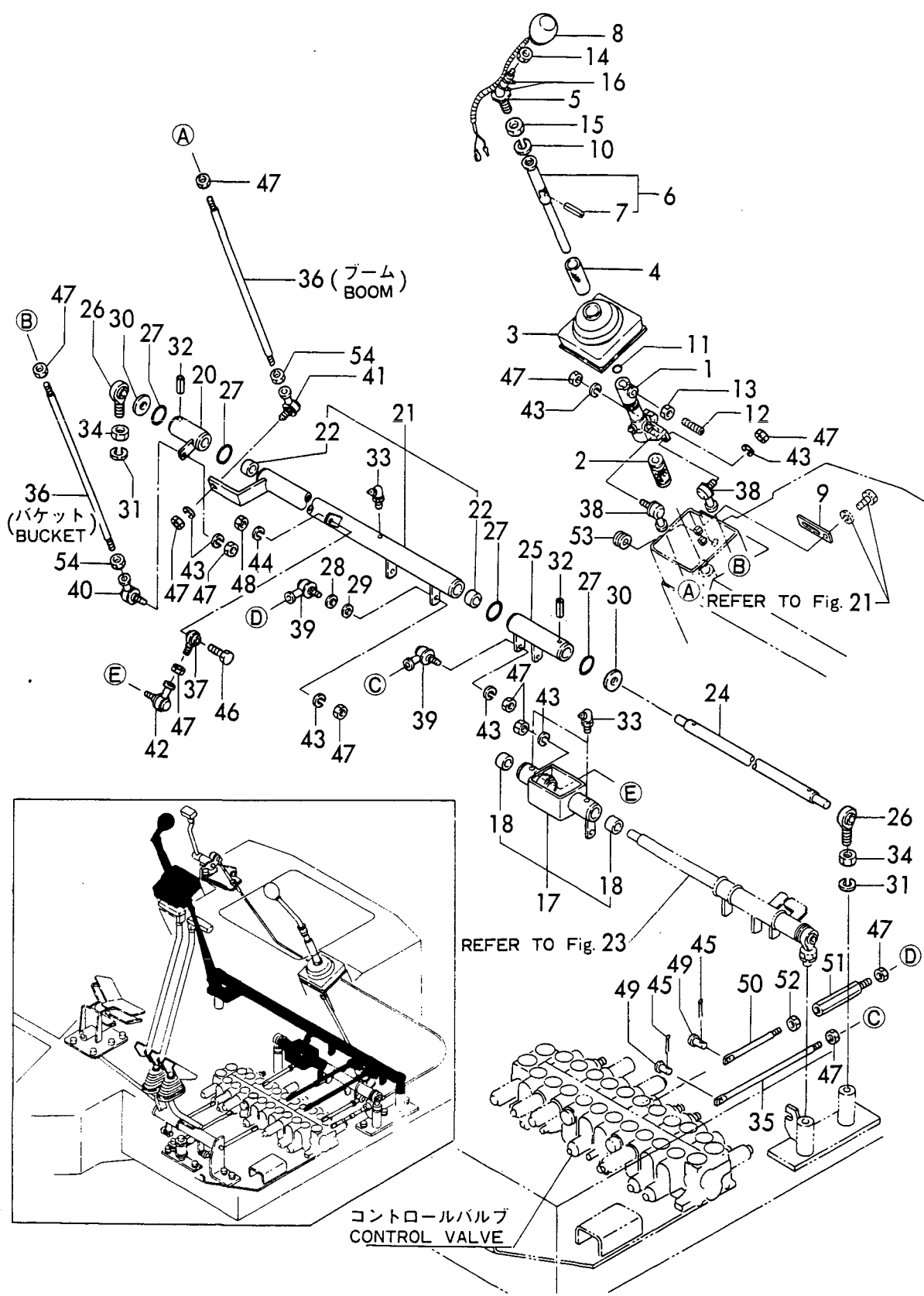




1,1,,172141-41150,, "LINK(L), LEVER",1,1,1,1,1,1,,,,,,,,,,,,,  
2,1,,172141-41160,,JOINT,1,1,1,1,1,1,,,,,,,,,,,,,  
3,1,,172141-41330,, "BOOTS, LEVER",1,1,1,1,1,1,,,,,,,,,,,,,  
4,1,,172142-44170,, "JOINT, LEVER",1,1,1,1,1,1,,,,,,,,,,,,,  
5,1,,172143-45100,,LEVER,1,1,1,1,1,1,,,,,,,,,,,,,  
6,1,,172143-45130,, "ROD ASSY,CONNECTING",1,1,1,1,1,1,,,,,,,,,,,,,  
7,2,,22351-060018,, "SPRING PIN 6X18",1,1,1,1,1,1,,,,,,,,,,,,,  
8,1,,172143-45800,,KNOB(A),1,1,1,1,1,1,,,,,,,,,,,,,  
9,1,,194440-51620,, "CLAMP, WIRE HARNESS",1,1,1,1,1,1,,,,,,,,,,,,,  
10,1,,22217-140000,, "SPRING WASHER 14",1,1,1,1,1,1,,,,,,,,,,,,,  
11,1,,24311-000140,, "O-RING 1A P-14.0",1,1,1,1,1,1,,,,,,,,,,,,,  
12,1,,26450-080202,, "BOLT M 8X 20",1,1,1,1,1,1,,,,,,,,,,,,,  
12-1,1,,26979-080162,, "SCREW M  
8X16",1,1,1,1,1,N,,72143012,M22228,72143012,M22228,72143012,M22228,72143012,M22  
228,,,,72143012,,I  
13,1,,26716-080002,, "NUT M 8",1,1,1,1,1,1,,,,,,,,,,,,,  
14,1,,26716-100002,, "NUT M10",1,1,1,1,1,1,,,,,,,,,,,,,  
15,1,,26736-140002,, "NUT M14",1,1,1,1,1,1,,,,,,,,,,,,,  
16,1,,933168-55770,, "BAND 146",2,2,2,2,2,2,,,,,,,,,,,,,  
17,1,,172142-43620,, "LINK W/BUSH",1,1,1,1,1,1,,,,,,,,,,,,,  
18,2,,172141-41370,, "BUSH 2015",2,2,2,2,2,2,,,,,,,,,,,,,  
20,1,,172142-43750,, "LINK, BUCKECT",1,1,1,1,1,1,,,,,,,,,,,,,  
21,1,,172142-43770,, "LINK W/BUSH",1,1,1,1,1,1,,,,,,,,,,,,,  
21-1,1,,172142-43771,, "LINK  
W/BUSH",1,1,1,1,1,1,S,,72142309,M22137,72142309,M22137,72142309,M22137,72142309,  
M22137,,,,,I  
22,2,,172141-41370,, "BUSH 2015",2,2,2,2,2,2,,,,,,,,,,,,,  
24,1,,172142-43810,, "SHAFT,803",1,1,1,1,1,1,,,,,,,,,,,,,  
25,1,,172142-43830,,LINK,1,1,1,1,1,1,,,,,,,,,,,,,  
25-1,1,,172142-43831,, "LINK  
CMP",1,1,1,1,1,1,S,,72142309,M22137,72142309,M22137,72142309,M22137,72142309,M22  
137,,,,,I  
26,1,,172122-45720,, "ROD-END 14",2,2,2,2,2,2,,,,,,,,,,,,,  
27,1,,172124-46200,, "O-RING 27X5.7",4,4,4,4,4,4,,,,,,,,,,,,,  
28,1,,194630-47340,, "SHIM 0.4",1,1,1,1,1,1,,,,,,,,,,,,,  
29,1,,22117-080000,, "WASHER 8",1,1,1,1,1,1,,,,,,,,,,,,,  
30,1,,22157-120000,, "WASHER 12",2,2,2,2,2,2,,,,,,,,,,,,,  
31,1,,22217-140000,, "SPRING WASHER 14",2,2,2,2,2,2,,,,,,,,,,,,,  
32,1,,22351-050036,, "SPRING PIN 5X36",2,2,2,2,2,2,,,,,,,,,,,,,  
33,1,,24761-040000,, "NIPPLE B,GREASE",3,3,3,3,3,3,,,,,,,,,,,,,  
34,1,,26716-140002,, "NUT M14",2,2,2,2,2,2,,,,,,,,,,,,,  
35,1,,172142-43580,, "ROD,253",1,1,1,1,1,1,,,,,,,,,,,,,  
36,1,,172142-43590,, "ROD,465",2,2,2,2,,,,,1,,,,,,,,,,,,,  
36-1,1,,172142-  
43591,, "ROD,465",2,2,2,2,2,2,F,2,72142352,\*1990.08,72142352,\*1990.08,72142352,\*1  
990.08,72142352,\*1990.08,,,,,I  
37,1,,172143-45670,, "ROD, END 8",1,1,1,1,1,1,,,,,,,,,,,,,  
38,1,,172122-46590,, "ELBALL 8",2,2,2,2,2,2,,,,,,,,,,,,,  
39,1,,172122-46590,, "ELBALL 8",2,2,2,2,2,2,,,,,,,,,,,,,  
40,1,,172122-46590,, "ELBALL 8",1,1,1,1,1,1,1,,,,,,,,,,,,,  
40-1,1,,172374-41300,, "BALL 8L,  
LINK",1,1,1,1,1,1,S,2,72142352,\*1990.08,72142352,\*1990.08,72142352,\*1990.08,7214  
2352,\*1990.08,,,,,I  
41,1,,172122-46590,, "ELBALL 8",1,1,1,1,1,1,1,,,,,,,,,,,,,  
41-1,1,,172374-41300,, "BALL 8L,  
LINK",1,1,1,1,1,1,S,2,72142352,\*1990.08,72142352,\*1990.08,72142352,\*1990.08,7214  
2352,\*1990.08,,,,,I  
42,1,,172122-46590,, "ELBALL 8",1,1,1,1,1,1,,,,,,,,,,,,,  
43,1,,22217-080000,, "SPRING WASHER 8",7,7,7,7,7,7,,,,,,,,,,,,,  
44,1,,22217-080000,, "SPRING WASHER 8",1,1,1,1,1,1,,,,,,,,,,,,,  
45,1,,22417-160160,, "COTTER PIN 1.6X16",2,2,2,2,2,2,,,,,,,,,,,,,  
46,1,,26116-080302,, "BOLT M 8X 30 PLATED",1,1,1,1,1,1,,,,,,,,,,,,,  
47,1,,26716-080002,, "NUT M 8",13,13,13,13,13,13,,,,,,,,,,,,,

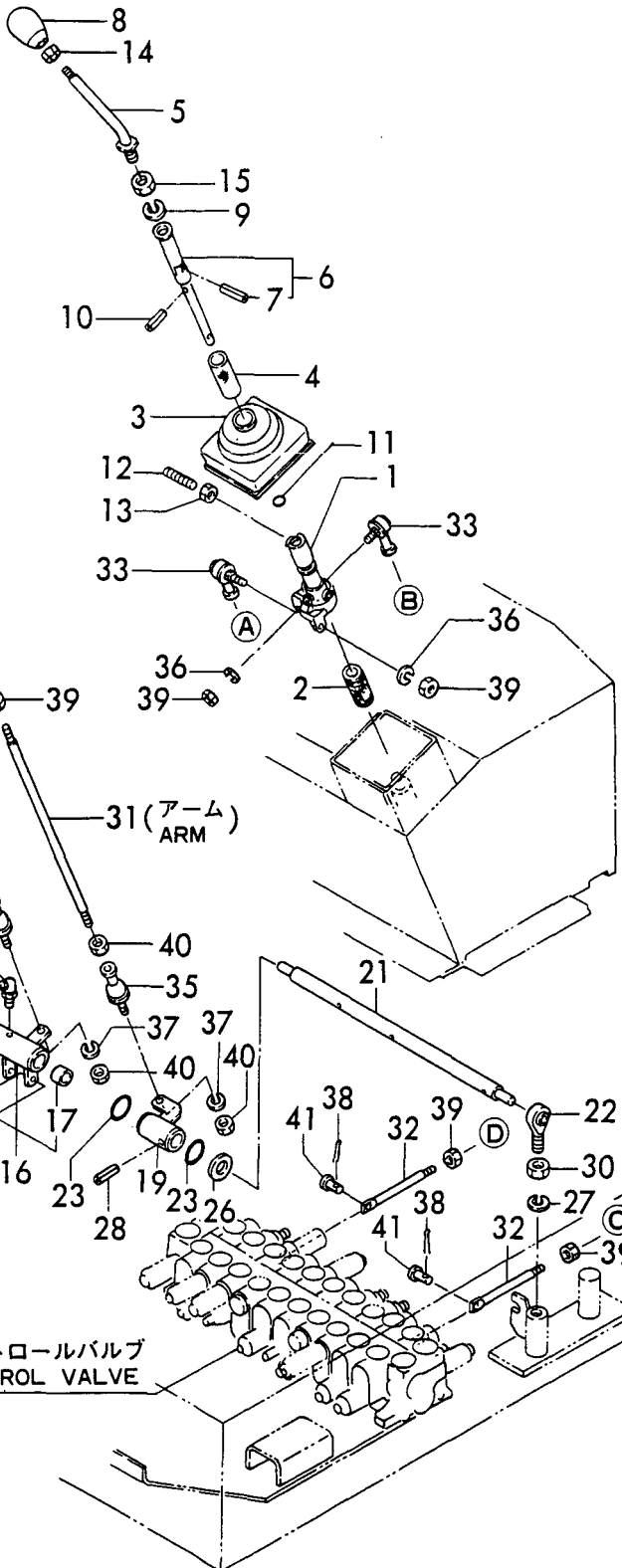
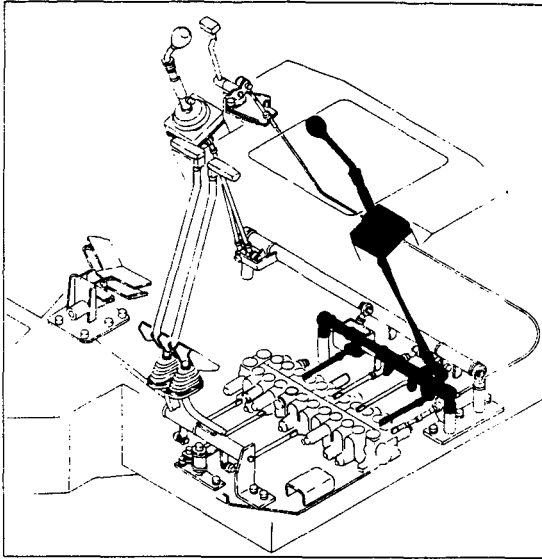
48,1,,26716-080002,, "NUT M 8",1,1,1,1,1,1,,,,,,,,,,,,,  
49,1,,933110-54100,, "PIN 4.75X14",2,2,2,2,2,2,,,,,,,,,,,,,  
50,1,,172142-43570,, "ROD 138",1,1,1,1,1,1,,,,,,,,,,,,,  
51,1,,172142-43600,, "ROD 127",1,1,1,1,1,1,,,,,,,,,,,,,  
52,1,,26716-080002,, "NUT M 8",1,1,1,1,1,1,,,,,,,,,,,,,  
53,1,,933160-09220,, GROMMET,1,1,1,1,,,,,,,,,,,,,  
53-1,1,,1A1140-  
58060,, GROMMET,1,1,1,1,1,1,N,,72149118,M21109,72149118,M21109,72149118,M21109,72  
149118,M21109,,,,,I  
54,1,,26716-080002,, "NUT M 8",2,2,2,2,,,,,1,,,,,,,,,,,,,  
54-1,1,,194200-37780,, "LS-NUT  
8",2,2,2,2,2,2,S,2,72142352,\*1990.08,72142352,\*1990.08,72142352,\*1990.08,7214235  
2,\*1990.08,,, ,

Fig. 22 ソウジュウソウチ(ブーム & バケット)  
CONTROL EQUIPMENT (BOOM & BUCKET)



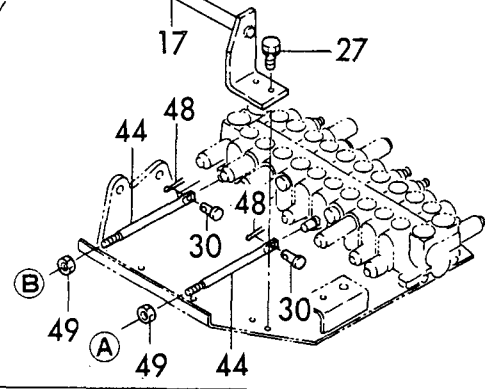
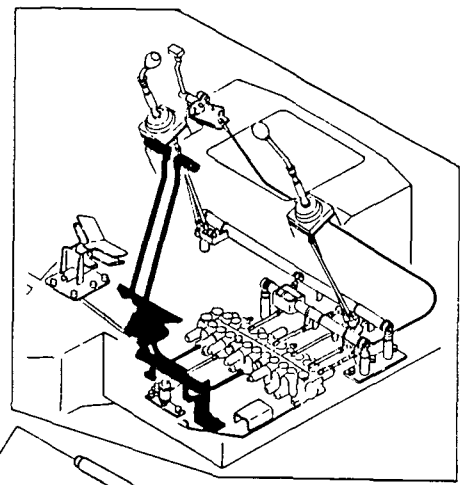
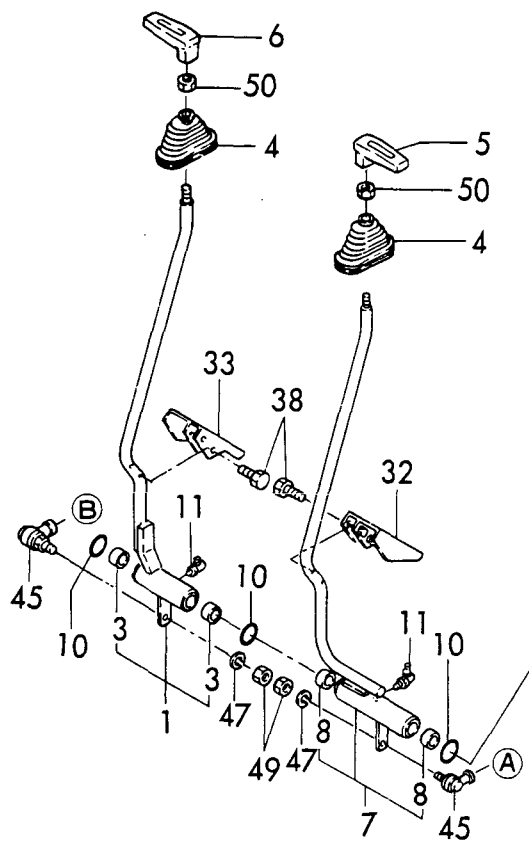
1,1,,172141-41150,, "LINK(L), LEVER",1,1,1,1,1,1,,,,,,,,,,,,,  
2,1,,172141-41160,, JOINT,1,1,1,1,1,1,,,,,,,,,,,,,  
3,1,,172141-41330,, "BOOTS, LEVER",1,1,1,1,1,1,,,,,,,,,,,,,  
4,1,,172142-44170,, "JOINT, LEVER",1,1,1,1,1,1,,,,,,,,,,,,,  
5,1,,172143-45100,, LEVER,1,1,1,1,1,1,,,,,,,,,,,,,  
6,1,,172143-45130,, "ROD ASSY,CONNECTING",1,1,1,1,1,1,,,,,,,,,,,,,  
7,2,,22351-060018,, "SPRING PIN 6X18",1,1,1,1,1,1,,,,,,,,,,,,,  
8,1,,172312-46321,, KNOB(B),1,1,1,1,1,1,,,,,,,,,,,,,  
9,1,,22217-140000,, "SPRING WASHER 14",1,1,1,1,1,1,,,,,,,,,,,,,  
10,1,,22351-030010,, "SPRING PIN 3X10",1,1,1,1,1,1,,,,,,,,,,,,,  
11,1,,24311-000140,, "O-RING 1A P-14.0",1,1,1,1,1,1,,,,,,,,,,,,,  
12,1,,26450-080202,, "BOLT M 8X 20",1,1,1,1,1,1,,,,,,,,,,,,,  
12-1,1,,26979-080162,, "SCREW M  
8X16",1,1,1,1,1,1,N,,72143012,M22228,72143012,M22228,72143012,M22228,72143012,M2  
2228,,,,,I  
13,1,,26716-080002,, "NUT M 8",1,1,1,1,1,1,,,,,,,,,,,,,  
14,1,,26716-100002,, "NUT M10",1,1,1,1,1,1,,,,,,,,,,,,,  
15,1,,26736-140002,, "NUT M14",1,1,1,1,1,1,,,,,,,,,,,,,  
16,1,,172142-43610,, "LINK W/BUSH,TURNING",1,1,1,1,1,1,,,,,,,,,,,,,  
17,2,,172141-41370,, "BUSH 2015",2,2,2,2,2,2,,,,,,,,,,,,,  
19,1,,172142-43630,, "LINK, ARM A",1,1,1,1,1,1,,,,,,,,,,,,,  
20,1,,172142-43670,, "LINK, ARM B",2,2,2,2,2,2,,,,,,,,,,,,,  
21,1,,172142-43730,, "SHAFT,444.5",1,1,1,1,1,1,,,,,,,,,,,,,  
22,1,,172122-45720,, "ROD-END 14",2,2,2,2,2,2,,,,,,,,,,,,,  
23,1,,172124-46200,, "O-RING 27X5.7",7,7,7,7,7,7,,,,,,,,,,,,,  
24,1,,194630-47340,, "SHIM 0.4",1,1,1,1,1,1,,,,,,,,,,,,,  
25,1,,22117-080000,, "WASHER 8",1,1,1,1,1,1,,,,,,,,,,,,,  
26,1,,22157-120000,, "WASHER 12",2,2,2,2,2,2,,,,,,,,,,,,,  
27,1,,22217-140000,, "SPRING WASHER 14",2,2,2,2,2,2,,,,,,,,,,,,,  
28,1,,22351-050036,, "SPRING PIN 5X36",3,3,3,3,3,3,,,,,,,,,,,,,  
29,1,,24761-040000,, "NIPPLE B,GREASE",1,1,1,1,1,1,,,,,,,,,,,,,  
30,1,,26716-140002,, "NUT M14",2,2,2,2,2,2,,,,,,,,,,,,,  
31,1,,172141-42840,, "ROD, SWING",2,2,2,2,2,2,,,,,,,,,,,,,  
32,1,,172142-43570,, "ROD 138",2,2,2,2,2,2,,,,,,,,,,,,,  
33,1,,172122-46590,, "ELBALL 8",2,2,2,2,2,2,,,,,,,,,,,,,  
34,1,,172122-46590,, "ELBALL 8",2,2,2,2,2,2,,,,,,,,,,,,,  
35,1,,172122-47250,, "BALL 8, LINK",2,2,2,2,2,2,,,,,,,,,,,,,  
36,1,,22217-080000,, "SPRING WASHER 8",4,4,4,4,4,4,,,,,,,,,,,,,  
37,1,,22217-080000,, "SPRING WASHER 8",2,2,2,2,2,2,,,,,,,,,,,,,  
38,1,,22417-160160,, "COTTER PIN 1.6X16",2,2,2,2,2,2,,,,,,,,,,,,,  
39,1,,26716-080002,, "NUT M 8",8,8,8,8,8,8,,,,,,,,,,,,,  
40,1,,26716-080002,, "NUT M 8",4,4,4,4,4,4,,,,,,,,,,,,,  
41,1,,933110-54100,, "PIN 4.75X14",2,2,2,2,2,2,,,,,,,,,,,,,

Fig. 23 ソウジュウソウチ(アーム & センカイ)  
CONTROL EQUIPMENT (ARM & TURNING)



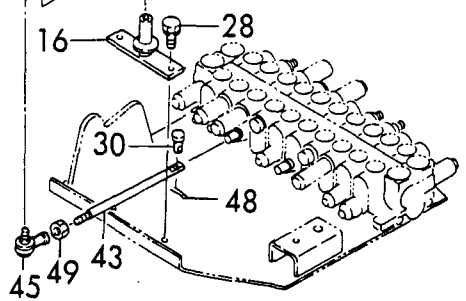
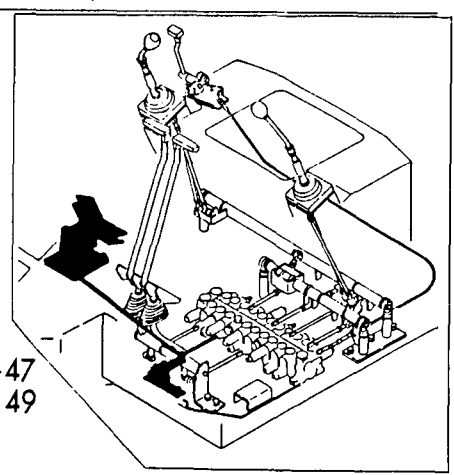
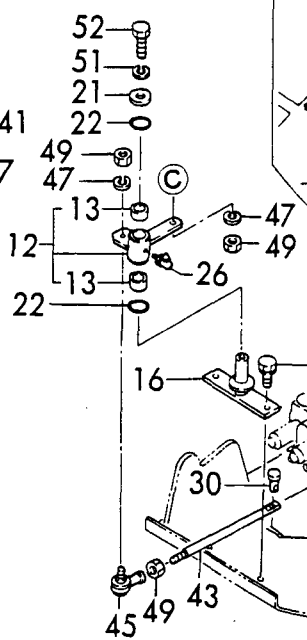
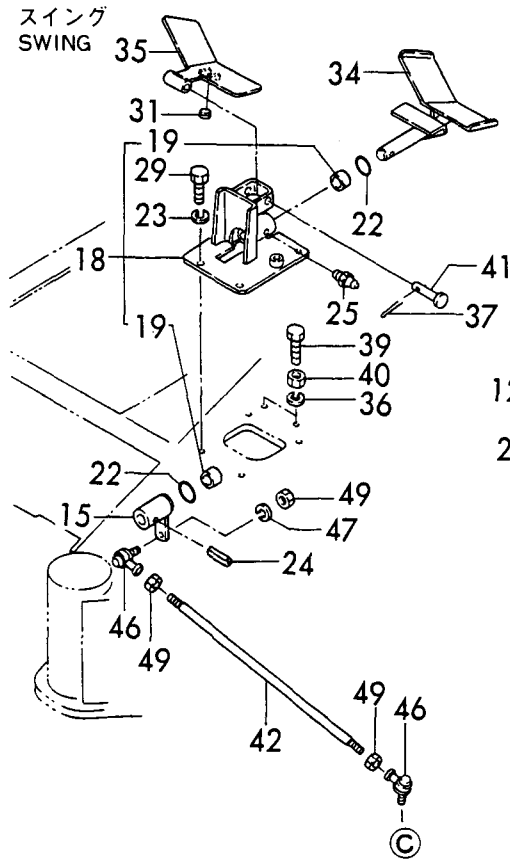
1,1,,172141-41230,, "LEVER(R) W/BUSH",1,1,1,1,,,,,,,,,,,,,  
1-1,1,,172141-41231,, "LEVER(R)  
W/BUSH",1,1,1,1,1,1,N,,72141357,M22489,72141357,M22489,72141357,M22489,72141357,  
M22489,,,,,I  
3,2,,172141-41370,, "BUSH 2015",2,2,2,2,2,2,,,,,,,,,,,,,  
4,1,,172141-41340,,BOOTS,2,2,2,2,2,2,,,,,,,,,,,,,  
5,1,,172122-45050,, "KNOB (L)",1,1,1,1,1,1,,,,,,,,,,,,,  
6,1,,172122-45060,, "KNOB (R)",1,1,1,1,1,1,,,,,,,,,,,,,  
7,1,,172142-45130,,LEVER(L),1,1,1,1,,,,,,,,,,,,,  
7-1,1,,172142-  
45131,,LEVER(L),1,1,1,1,1,1,N,,72141357,M22489,72141357,M22489,72141357,M22489,7  
2141357,M22489,,,,,I  
8,2,,172141-41370,, "BUSH 2015",2,2,2,2,2,2,,,,,,,,,,,,,  
10,1,,172124-46200,, "O-RING 27X5.7",3,3,3,3,3,3,,,,,,,,,,,,,  
11,1,,24761-050000,, "NIPPLE C,GREASE",2,2,2,2,2,2,,,,,,,,,,,,,  
12,1,,172141-41610,, "LINK W/BUSH, SWING",1,1,1,1,1,1,,,,,,,,,,,,,  
13,2,,172141-41370,, "BUSH 2015",2,2,2,2,2,2,,,,,,,,,,,,,  
15,1,,172143-45360,, "LINK, SWING",1,1,1,1,1,1,,,,,,,,,,,,,  
16,1,,172142-45420,, "SHAFT, SWING",1,1,1,1,1,1,,,,,,,,,,,,,  
17,1,,172142-45440,, "SHAFT, TRACK",1,1,1,1,1,1,,,,,,,,,,,,,  
18,1,,172143-45450,, "BRACKET ASSY",1,1,1,1,,,,,,,,,,,,,  
18-1,1,,172151-45960,, "BRACKET,  
PEDAL",1,1,1,1,1,1,N,,72148106,M23141,72148106,M23141,72148106,M23141,72148106,M  
23141,,,,,I  
19,2,,172141-41370,, "BUSH 2015",2,2,2,2,2,2,,,,,,,,,,,,,  
21,1,,1A1040-45890,, "WASHER 10 36 4.5",1,1,1,1,1,1,,,,,,,,,,,,,  
22,1,,172124-46200,, "O-RING 27X5.7",4,4,4,4,4,4,,,,,,,,,,,,,  
23,1,,22217-100000,, "SPRING WASHER 10",4,4,4,4,4,4,,,,,,,,,,,,,  
24,1,,22351-050036,, "SPRING PIN 5X36",1,1,1,1,1,1,,,,,,,,,,,,,  
25,1,,24761-020000,, "NIPPLE PT1/8,GREASE",1,1,1,1,1,1,,,,,,,,,,,,,  
26,1,,24761-050000,, "NIPPLE C,GREASE",1,1,1,1,1,1,,,,,,,,,,,,,  
27,1,,26013-100252,, "BOLT M10X 25",2,2,2,2,2,2,,,,,,,,,,,,,  
28,1,,26013-100252,, "BOLT M10X 25",2,2,2,2,2,2,,,,,,,,,,,,,  
29,1,,26116-100202,, "BOLT M10X 20 PLATED",4,4,4,4,4,4,,,,,,,,,,,,,  
30,1,,933110-54100,, "PIN 4.75X14",3,3,3,3,3,3,,,,,,,,,,,,,  
31,1,,172111-16890,, "GROMMET 9",1,1,1,1,1,1,,,,,,,,,,,,,  
32,1,,172141-41840,, "PEDAL(L), TRACK",1,1,1,1,1,1,,,,,,,,,,,,,  
33,1,,172141-41850,, "PEDAL(R), TRACK",1,1,1,1,1,1,,,,,,,,,,,,,  
34,1,,172141-41900,, "PEDAL, SWING",1,1,1,1,1,1,,,,,,,,,,,,,  
35,1,,172141-41940,, "LOCK, SWING",1,1,1,1,1,1,,,,,,,,,,,,,  
36,1,,22217-100000,, "SPRING WASHER 10",2,2,2,2,2,2,,,,,,,,,,,,,  
37,1,,22417-250200,, "COTTER PIN 2.5X20",1,1,1,1,1,1,,,,,,,,,,,,,  
38,1,,26013-060352,, "BOLT M 6X 35",4,4,4,4,4,4,,,,,,,,,,,,,  
39,1,,26116-100602,, "BOLT M10X 60 PLATED",2,2,2,2,,,,,,,,,,,,,  
39-1,1,,26116-100504,, "BOLT M10X 50  
PLATED",2,2,2,2,2,2,N,,72148106,M23141,72148106,M23141,72148106,M23141,72148106,  
M23141,,,,,I  
40,1,,26716-100002,, "NUT M10",2,2,2,2,2,2,,,,,,,,,,,,,  
41,1,,933171-18390,, "PIN, FOOT BAR",1,1,1,1,1,1,,,,,,,,,,,,,  
42,1,,172141-42840,, "ROD, SWING",1,1,1,1,1,1,,,,,,,,,,,,,  
43,1,,172142-45650,,ROD(A,1,1,1,1,1,1,,,,,,,,,,,,,  
44,1,,172142-45660,,ROD(B,2,2,2,2,2,2,,,,,,,,,,,,,  
45,1,,172122-46590,, "ELBALL 8",3,3,3,3,3,3,,,,,,,,,,,,,  
46,1,,172122-46590,, "ELBALL 8",2,2,2,2,2,2,,,,,,,,,,,,,  
47,1,,22217-080000,, "SPRING WASHER 8",5,5,5,5,5,5,,,,,,,,,,,,,  
48,1,,22417-160160,, "COTTER PIN 1.6X16",3,3,3,3,3,3,,,,,,,,,,,,,  
49,1,,26716-080002,, "NUT M 8",10,10,10,10,10,10,,,,,,,,,,,,,  
50,1,,26716-100002,, "NUT M10",2,2,2,2,2,2,,,,,,,,,,,,,  
51,1,,22217-100000,, "SPRING WASHER 10",1,1,1,1,1,1,,,,,,,,,,,,,  
52,1,,26116-100202,, "BOLT M10X 20 PLATED",1,1,1,1,1,1,,,,,,,,,,,,,

Fig. 24 ソウジュウソウチ(ソウコウ & スイング)  
 CONTROL EQUIPMENT (DRIVE & SWING)



ソウコウ  
DRIVING

スイング  
SWING



1,1,,172116-45940,, "KNOB (C), LEVER",1,1,1,1,1,1,,,,,,,,,,,,,  
2,1,,172142-46260,, "LEVER, BLADE",1,1,1,1,1,1,,,,,,,,,,,,,  
3,1,,22351-050032,, "SPRING PIN 5X32",1,1,1,1,1,1,,,,,,,,,,,,,  
4,1,,172142-43350,, BRACKET,1,1,1,1,1,1,,,,,,,,,,,,,  
5,2,,172141-41360,, "BUSH 1415",2,2,2,2,2,2,,,,,,,,,,,,,  
7,1,,172142-43400,, BRACKET,1,1,1,1,1,1,,,,,,,,,,,,,  
8,1,,172142-46920,, "LINK, BLADE",1,1,1,1,1,1,,,,,,,,,,,,,  
9,1,,22137-100000,, "WASHER 10, POLISHED",3,3,3,3,3,3,,,,,,,,,,,,,  
10,1,,22217-100000,, "SPRING WASHER 10",1,1,1,1,1,1,,,,,,,,,,,,,  
11,1,,26013-100252,, "BOLT M10X 25",3,3,3,3,3,3,,,,,,,,,,,,,  
12,1,,26013-100202,, "BOLT W/WASHER M10X20",2,2,2,2,2,2,,,,,,,,,,,,,  
13,1,,26116-100302,, "BOLT M10X 30 PLATED",1,1,1,1,1,1,,,,,,,,,,,,,  
14,1,,26716-100002,, "NUT M10",1,1,1,1,1,1,,,,,,,,,,,,,  
15,1,,172141-42950,, "CABLE, BLADE",1,1,1,1,1,1,,,,,,,,,,,,,  
16,1,,172141-42960,, "JOINT, CABLE",1,1,1,1,1,1,,,,,,,,,,,,,  
17,1,,172142-45670,, "ROD, SPOOL",1,1,1,1,1,1,,,,,,,,,,,,,  
18,1,,172122-46590,, "ELBALL 8",1,1,1,1,1,1,,,,,,,,,,,,,  
19,1,,22217-080000,, "SPRING WASHER 8",1,1,1,1,1,1,,,,,,,,,,,,,  
20,1,,22217-080000,, "SPRING WASHER 8",1,1,1,1,1,1,,,,,,,,,,,,,  
21,1,,22417-160160,, "COTTER PIN 1.6X16",1,1,1,1,1,1,,,,,,,,,,,,,  
22,1,,26716-080002,, "NUT M 8",1,1,1,1,1,1,,,,,,,,,,,,,  
23,1,,933110-54100,, "PIN 4.75X14",1,1,1,1,1,1,,,,,,,,,,,,,



Fig. 25 ソウジュウソウチ(ブレード)  
CONTROL EQUIPMENT (BLADE)

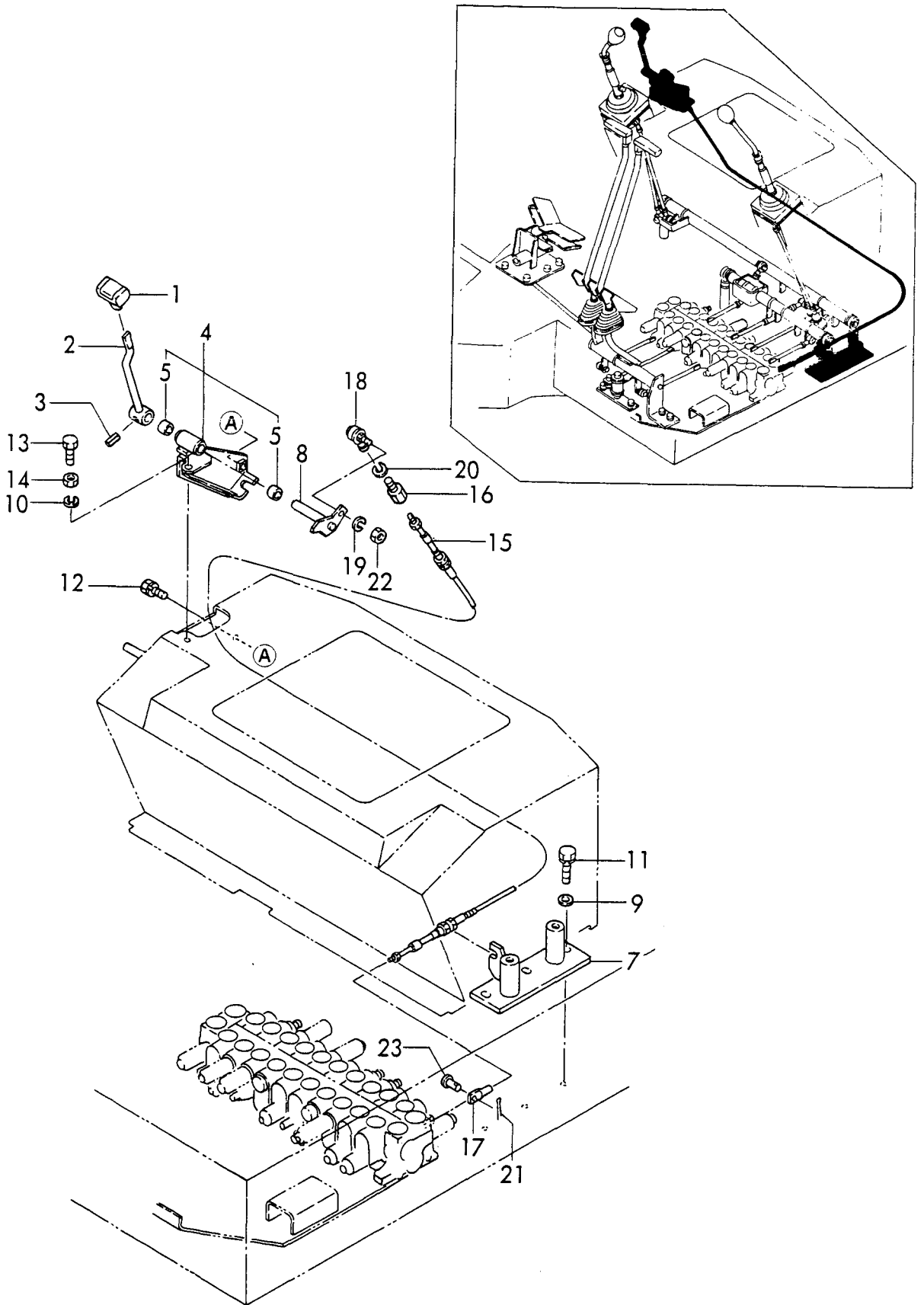
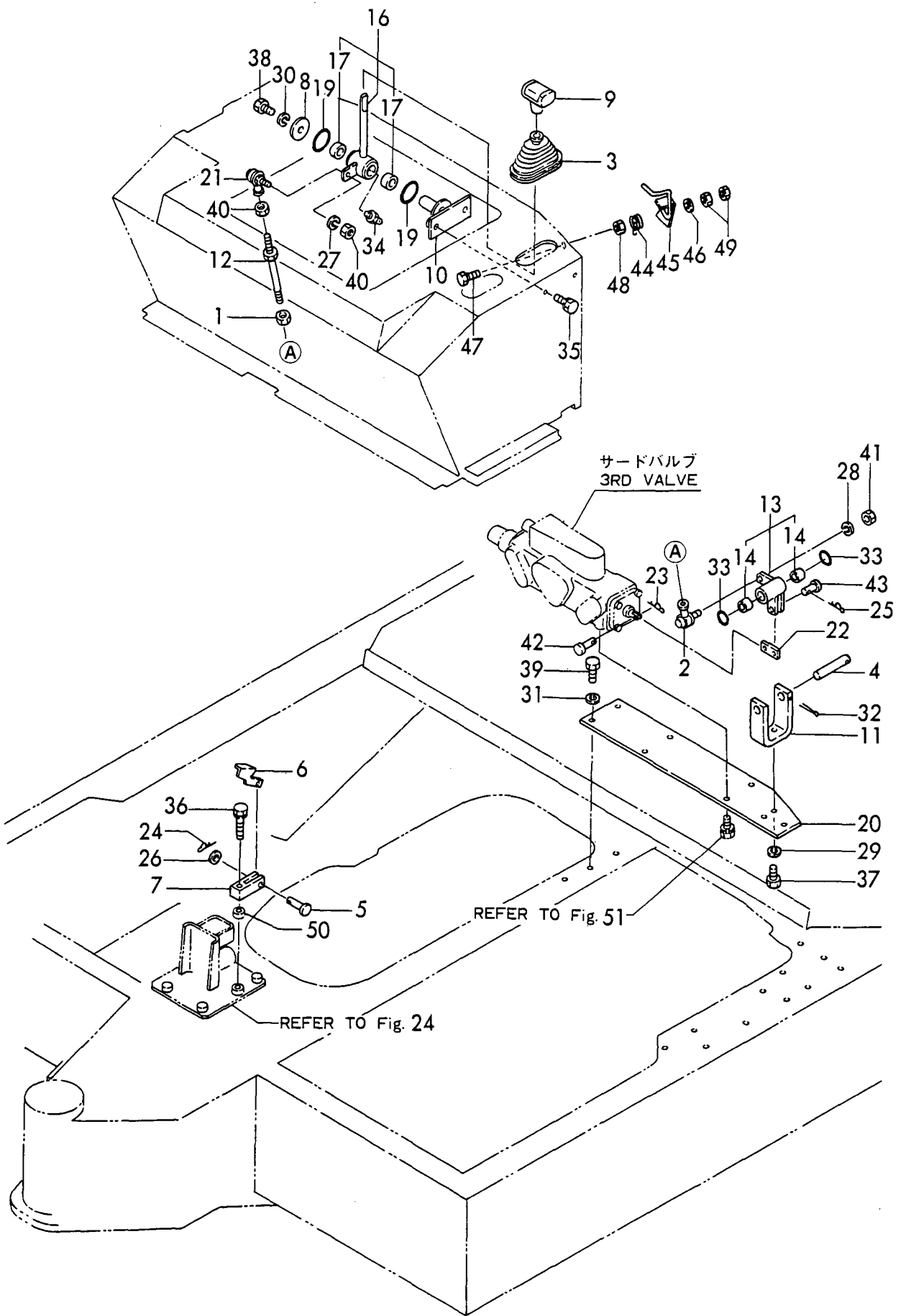


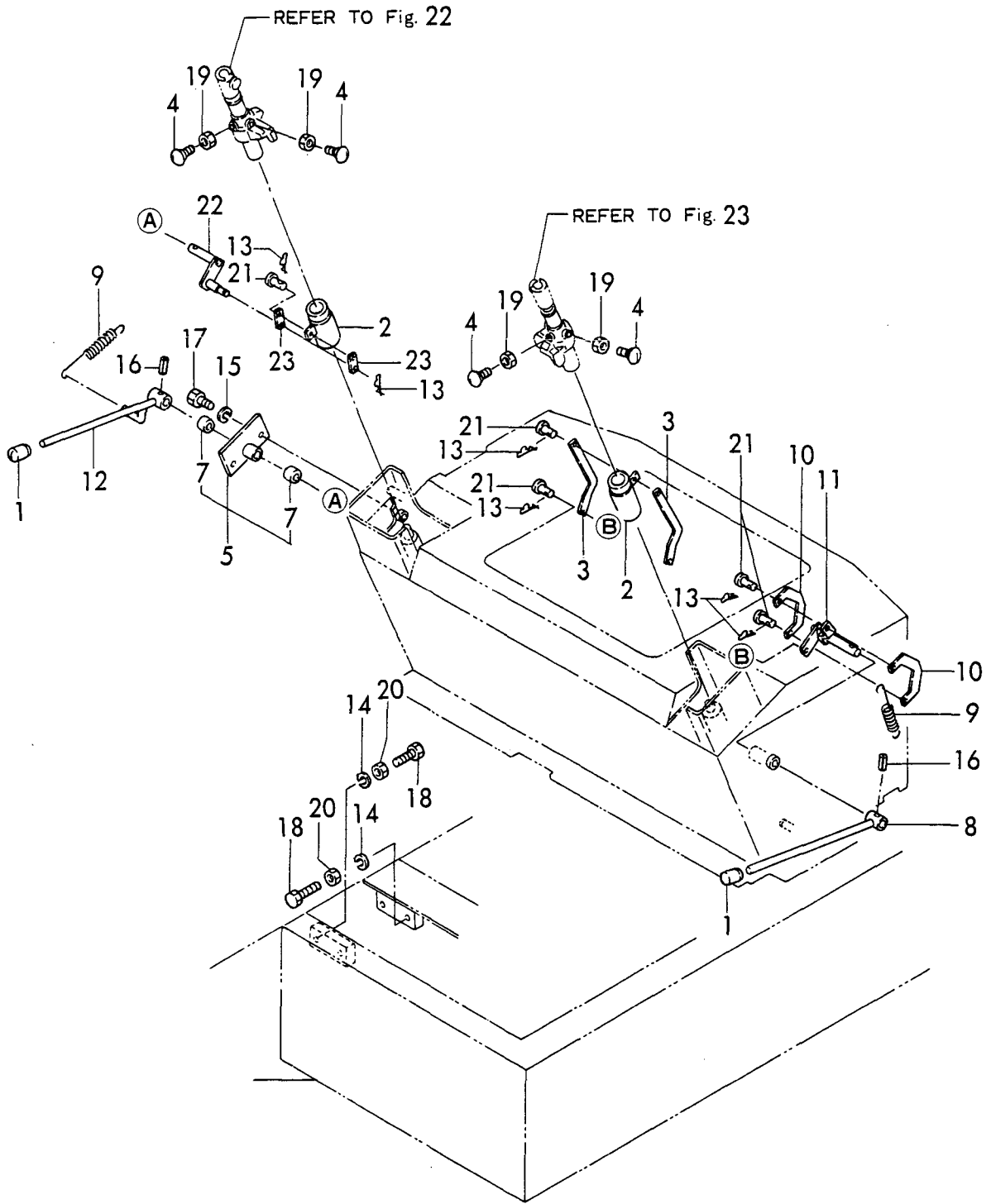


Fig. **26** ソウジュウソウチ(サードバルブ)  
 CONTROL EQUIPMENT (3RD VALVE)



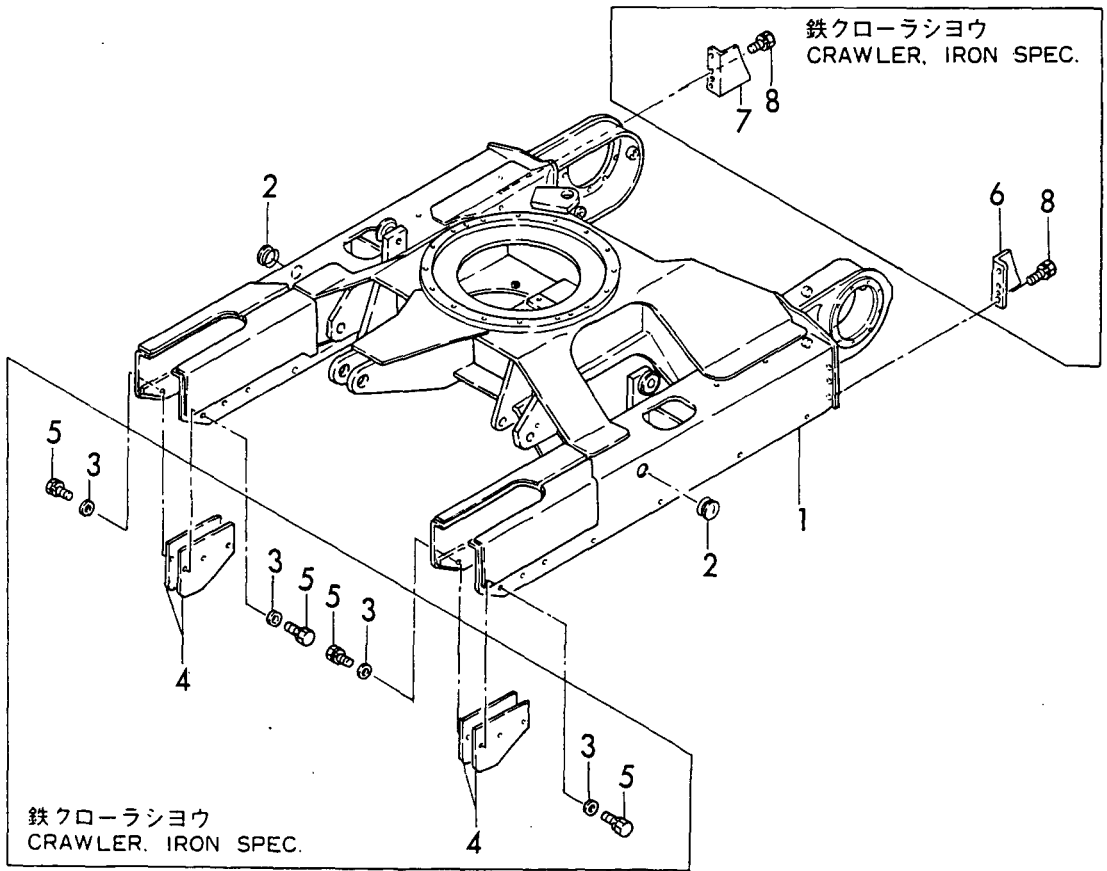
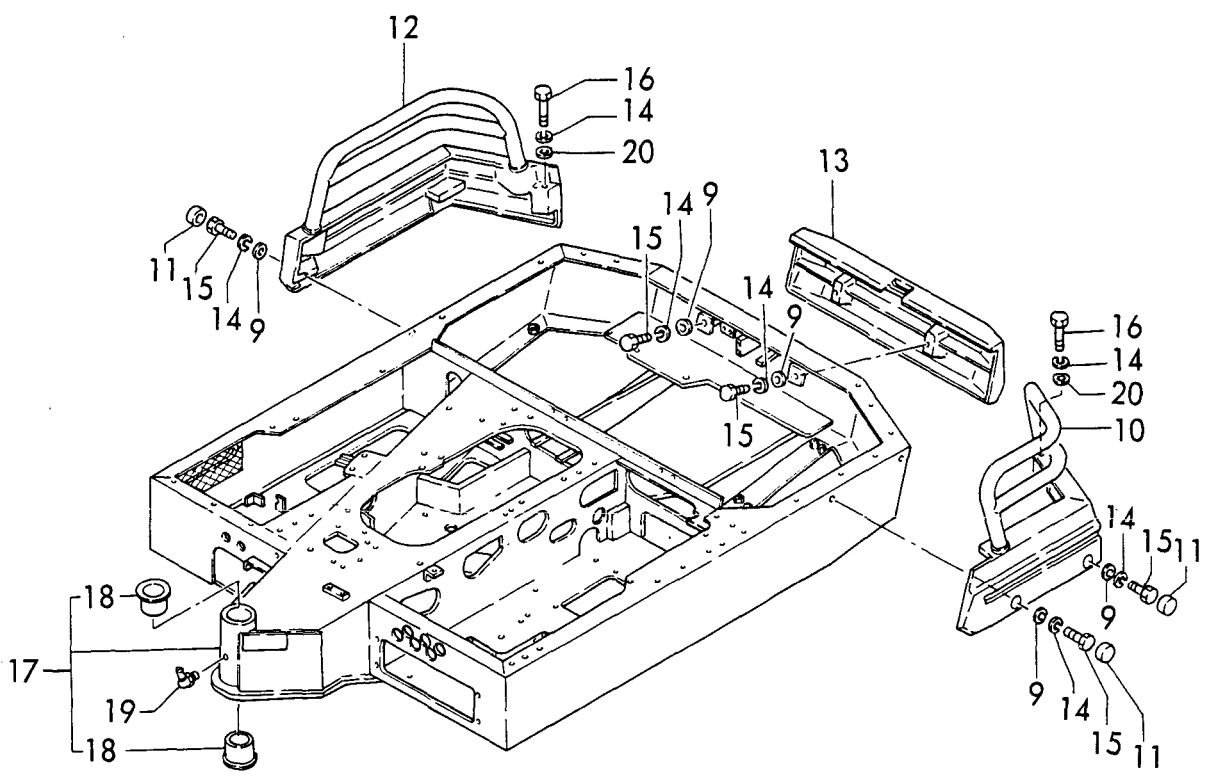
1,1,,194150-01190,, "KNOB, THROTTLE LEVER",2,2,2,2,2,2,,,,,,,,,,,,,  
2,1,,172141-42600,, "PIPE, LOCK",2,2,2,2,2,2,,,,,,,,,,,,,  
3,1,,172141-42700,, "LINK, LOCK",2,2,2,2,2,2,,,,,,,,,,,,,  
4,1,,172141-42750,, "BOLT, STOPPER",8,8,8,8,8,8,,,,,,,,,,,,,  
5,1,,172142-43440,, "BOSS ASY",1,1,1,1,1,1,,,,,,,,,,,,,  
7,2,,933171-23670,, BUSH,2,2,2,2,2,2,,,,,,,,,,,,,  
8,1,,172142-43550,, "LEVER, LOCK L",1,1,1,1,1,1,,,,,,,,,,,,,  
9,1,,172142-43910,, "SP,LOCK LEVER",2,2,2,2,2,2,,,,,,,,,,,,,  
10,1,,172142-43920,, "PLATE,LOCK",2,2,2,2,2,2,,,,,,,,,,,,,  
11,1,,172142-43930,, "LINK,LOCK",1,1,1,1,1,1,,,,,,,,,,,,,  
12,1,,172142-43980,, "LEVER, LOCK R",1,1,1,1,1,1,,,,,,,,,,,,,  
13,1,,1C6281-52310,, "PIN 6,COME-OFF SNAP",6,6,6,6,6,6,,,,,,,,,,,,,  
14,1,,22217-100000,, "SPRING WASHER 10",4,4,4,4,4,4,,,,,,,,,,,,,  
15,1,,22217-100000,, "SPRING WASHER 10",2,2,2,2,2,2,,,,,,,,,,,,,  
16,1,,22351-050020,, "SPRING PIN 5X20",2,2,2,2,2,2,,,,,,,,,,,,,  
17,1,,26116-100202,, "BOLT M10X 20 PLATED",2,2,2,2,2,2,,,,,,,,,,,,,  
18,1,,26116-100504,, "BOLT M10X 50 PLATED",4,4,4,4,4,4,,,,,,,,,,,,,  
19,1,,26716-080002,, "NUT M 8",8,8,8,8,8,8,,,,,,,,,,,,,  
20,1,,26716-100002,, "NUT M10",4,4,4,4,4,4,,,,,,,,,,,,,  
21,1,,933110-54100,, "PIN 4.75X14",5,5,5,5,5,5,,,,,,,,,,,,,  
22,1,,172142-43490,, LINK,1,1,1,1,1,1,,,,,,,,,,,,,  
23,1,,172142-43530,, LINK,2,2,2,2,2,2,,,,,,,,,,,,,

Fig. **27** サギョウレバーストッパ  
OPERATION LEVER STOPPER



1,1,,172142-50102,,FRAME,1,1,1,1,1,1,,,,,,,,,,,,,  
2,1,,172141-50890,,GROMMET,2,2,2,2,2,2,,,,,,,,,,,,,  
3,1,,172730-05250,, "WASHER 12",12,12,12,12,12,12,,1,,,,,,,,,,,,,  
4,1,,172141-50901,, "GUARD, SHOE",4,4,4,4,4,4,,1,,,,,,,,,,,,,  
5,1,,26013-120452,, "BOLT M12X 45",12,12,12,12,12,12,,1,,,,,,,,,,,,,  
6,1,,172122-50851,, "GUARD(L), SPROCKET",1,1,1,1,1,1,,,,,,,,,,,,,  
6-1,1,,172122-50852,, "GUARD(L),  
SPROCKET",1,1,1,1,1,1,N,1,72142345,M21109,72142345,M21109,72142345,M21109,721423  
45,M21109,,,,,I  
7,1,,172122-50861,, "GUARD(R), SPROCKET",1,1,1,1,1,1,,,,,,,,,,,,,  
7-1,1,,172122-50862,, "GUARD(R),  
SPROCKET",1,1,1,1,1,1,N,1,72142345,M21109,72142345,M21109,72142345,M21109,721423  
45,M21109,,,,,I  
8,1,,26013-120252,, "BOLT M12X 25",6,6,6,6,6,6,,1,,,,,,,,,,,,,  
9,1,,172730-05250,, "WASHER 12",6,6,6,6,6,6,,,,,,,,,,,,,  
10,1,,172142-53300,, "WEIGHT, COUNTER(L)",1,1,1,1,1,1,,,,,,,,,,,,,  
11,1,,172141-53350,, "GROMMET 26",4,4,4,4,4,4,,,,,,,,,,,,,  
12,1,,172142-53360,, "WEIGHT, COUNTER(R)",1,1,1,1,1,1,,,,,,,,,,,,,  
13,1,,172142-53410,, "WEIGHT, CENTER",1,1,1,1,1,1,,,,,,,,,,,,,  
14,1,,22217-120000,, "WASHER 12, SPRING",8,8,8,8,8,8,,,,,,,,,,,,,  
15,1,,26116-120352,, "BOLT M12X 35 PLATED",6,6,6,6,6,6,,,,,,,,,,,,,  
16,1,,26116-121002,, "BOLT M12X100 PLATED",2,2,2,2,2,2,,,,,,,,,,,,,  
17,1,,172142-54700,, "FRAME W/BUSH, TURNING",1,1,1,1,1,1,,,,,,,,,,,,,  
18,2,,172142-54460,, "BUSH 60X65",2,2,2,2,2,2,,,,,,,,,,,,,  
19,1,,24761-040000,, "NIPPLE B, GREASE",1,1,1,1,1,1,,,,,,,,,,,,,  
20,1,,172730-05250,, "WASHER 12",2,2,2,2,,,,,,,,,,,,,  
20-1,1,,22137-120000,, "WASHER  
12, POLISHED",2,2,2,2,2,2,N,,72142339,M21109,72142339,M21109,72142339,M21109,7214  
2339,M21109,,,,,I

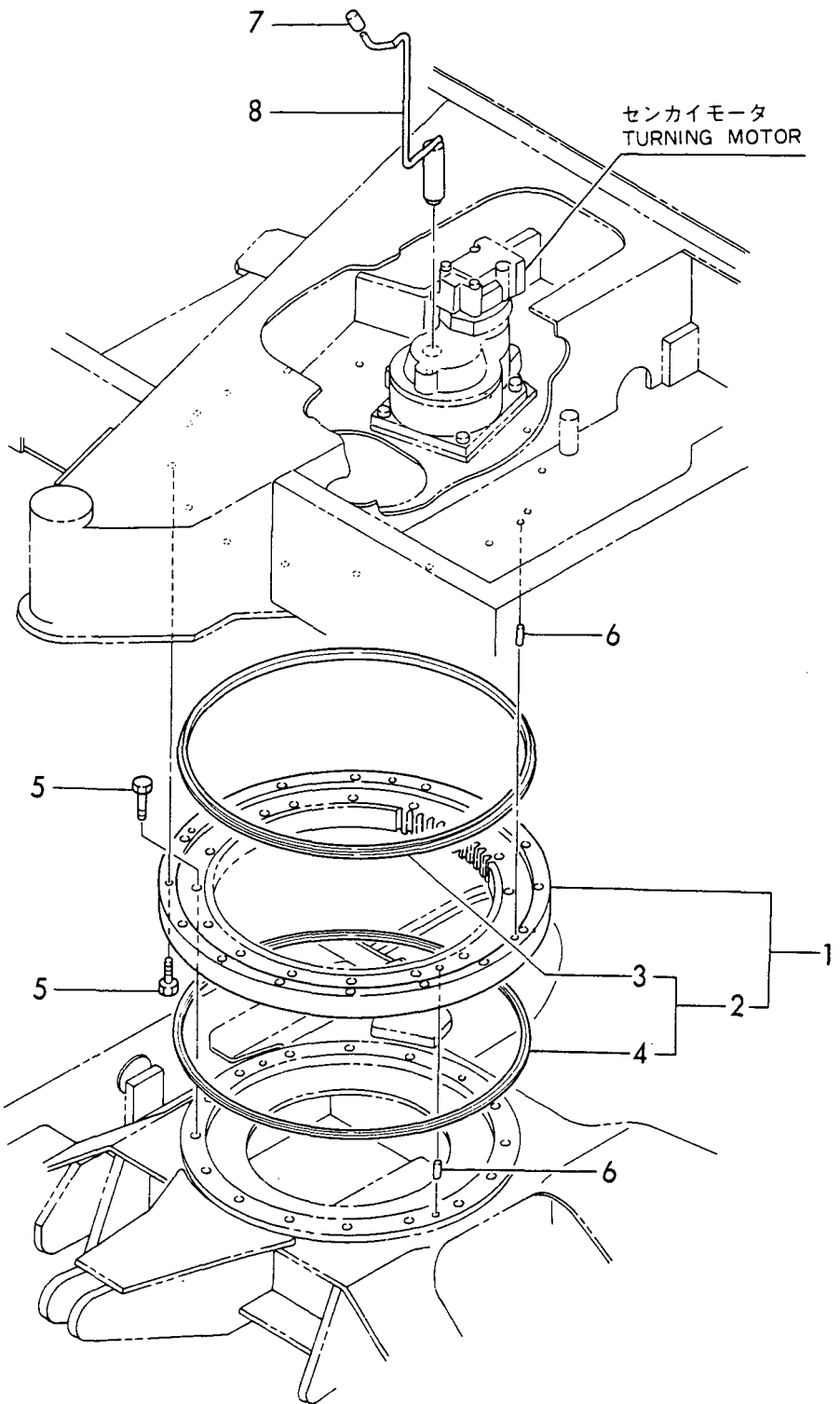
Fig. 28 フレーム  
FRAME



1,1,,172142-57600,, "BEARING, TURNING",1,1,1,1,1,1,,,,,,,,,,,,,  
2,2,,172142-57610,, "SEAL SET",1,1,1,1,1,1,,,,,,,,,,,,,  
3,3,,172122-57630,, "SEAL, UPPER",1,1,1,1,1,1,,,,,,,,,,,,,  
4,3,,172122-57640,, "SEAL, LOWER",1,1,1,1,1,1,,,,,,,,,,,,,  
5,1,,172122-57610,, BOLT,32,32,32,32,32,32,,,,,,,,,,,,,  
6,1,,172122-57620,, "PARALLEL PIN 13X36",4,4,4,4,4,4,,,,,,,,,,,,,  
7,1,,172116-46630,, "KNOB, LOCK LEVER",1,1,1,1,1,1,,,,,,,,,,,,,  
8,1,,172142-58801,, "PIN, LOCK",1,1,1,1,1,1,,,,,,,,,,,,,



Fig. **29** センカイベアリング & センカイロック  
TURNING BEARING & TURNING LOCK



1,1,,172141-50750,, "COVER, MOTOR",2,2,2,2,2,2,,,,,,,,,,,,,  
2,1,,172141-50761,, "COVER, UNDER",1,1,1,1,1,1,,,,,,,,,,,,,  
3,1,,172142-61130,,COVER(C),1,1,1,1,1,1,,,,,,,,,,,,,  
4,1,,172142-61160,,COVER(D),1,1,1,1,1,1,,,,,,,,,,,,,  
5,1,,172142-61170,,COVER(E),1,1,1,1,1,1,,,,,,,,,,,,,  
6,1,,172142-61180,, "COVER, REAR(C)",1,1,1,1,1,1,,,,,,,,,,,,,  
7,1,,172142-61190,, "COVER, REAR(L)",1,1,1,1,1,1,,,,,,,,,,,,,  
8,1,,172142-61200,, "COVER, REAR(R)",1,1,1,1,1,1,,,,,,,,,,,,,  
9,1,,172142-61210,, "GRILLE, FRONT",1,1,1,1,1,1,,,,,,,,,,,,,  
10,1,,172142-61241,,COVER(A),1,1,1,1,1,1,,,,,,,,,,,,,  
11,1,,172142-61260,,COVER(B),1,1,1,1,1,1,,,,,,,,,,,,,  
12,1,,172142-61290,,COVER(A,,1,,1,,1,,,,,,,,,,,,,  
13,1,,172142-61300,,COVER(B,,1,,1,,1,,,,,,,,,,,,,  
14,1,,22117-100000,, "WASHER 10",8,8,8,8,8,8,,,,,,,,,,,,,  
15,1,,22117-100000,, "WASHER 10",5,5,5,5,5,5,,,,,,,,,,,,,  
16,1,,22117-100000,, "WASHER 10",5,5,5,5,5,5,,,,,,,,,,,,,  
17,1,,22217-100000,, "SPRING WASHER 10",8,8,8,8,8,8,,,,,,,,,,,,,  
18,1,,22217-100000,, "SPRING WASHER 10",6,6,6,6,6,6,,,,,,,,,,,,,  
19,1,,22217-100000,, "SPRING WASHER 10",4,4,4,4,4,4,,,,,,,,,,,,,  
20,1,,22217-100000,, "SPRING WASHER 10",4,4,4,4,4,4,,,,,,,,,,,,,  
21,1,,22217-100000,, "SPRING WASHER 10",4,4,4,4,4,4,,,,,,,,,,,,,  
22,1,,22217-100000,, "SPRING WASHER 10",,3,,3,,3,,,,,,,,,,,,,  
23,1,,22217-100000,, "SPRING WASHER 10",2,2,2,2,2,2,,,,,,,,,,,,,  
24,1,,22217-100000,, "SPRING WASHER 10",6,6,6,6,6,6,,,,,,,,,,,,,  
25,1,,22217-100000,, "SPRING WASHER 10",,2,,2,,2,,,,,,,,,,,,,  
26,1,,22217-120000,, "WASHER 12, SPRING",4,4,4,4,4,4,,,,,,,,,,,,,  
27,1,,26013-100202,, "BOLT W/WASHER M10X20",8,8,8,8,8,8,,,,,,,,,,,,,  
28,1,,26013-100202,, "BOLT W/WASHER M10X20",5,5,5,5,5,5,,,,,,,,,,,,,  
29,1,,26013-100202,, "BOLT W/WASHER M10X20",5,5,5,5,5,5,,,,,,,,,,,,,  
30,1,,26116-100162,, "BOLT M10X 16 PLATED",8,8,8,8,8,8,,,,,,,,,,,,,  
31,1,,26116-100162,, "BOLT M10X 16 PLATED",6,6,6,6,6,6,,,,,,,,,,,,,  
32,1,,26116-100162,, "BOLT M10X 16 PLATED",4,4,4,4,4,4,,,,,,,,,,,,,  
33,1,,26116-100162,, "BOLT M10X 16 PLATED",4,4,4,4,4,4,,,,,,,,,,,,,  
34,1,,26116-100162,, "BOLT M10X 16 PLATED",4,4,4,4,4,4,,,,,,,,,,,,,  
35,1,,26116-100162,, "BOLT M10X 16 PLATED",,2,,2,,2,,,,,,,,,,,,,  
36,1,,26116-100202,, "BOLT M10X 20 PLATED",,3,,3,,3,,,,,,,,,,,,,  
37,1,,26116-100202,, "BOLT M10X 20 PLATED",2,2,2,2,2,2,,,,,,,,,,,,,  
38,1,,26116-100202,, "BOLT M10X 20 PLATED",6,6,6,6,6,6,,,,,,,,,,,,,  
39,1,,26116-120252,, "BOLT M12X 25 PLATED",4,4,4,4,4,4,,,,,,,,,,,,,

Fig. 30 フレームカバー  
FRAME COVER

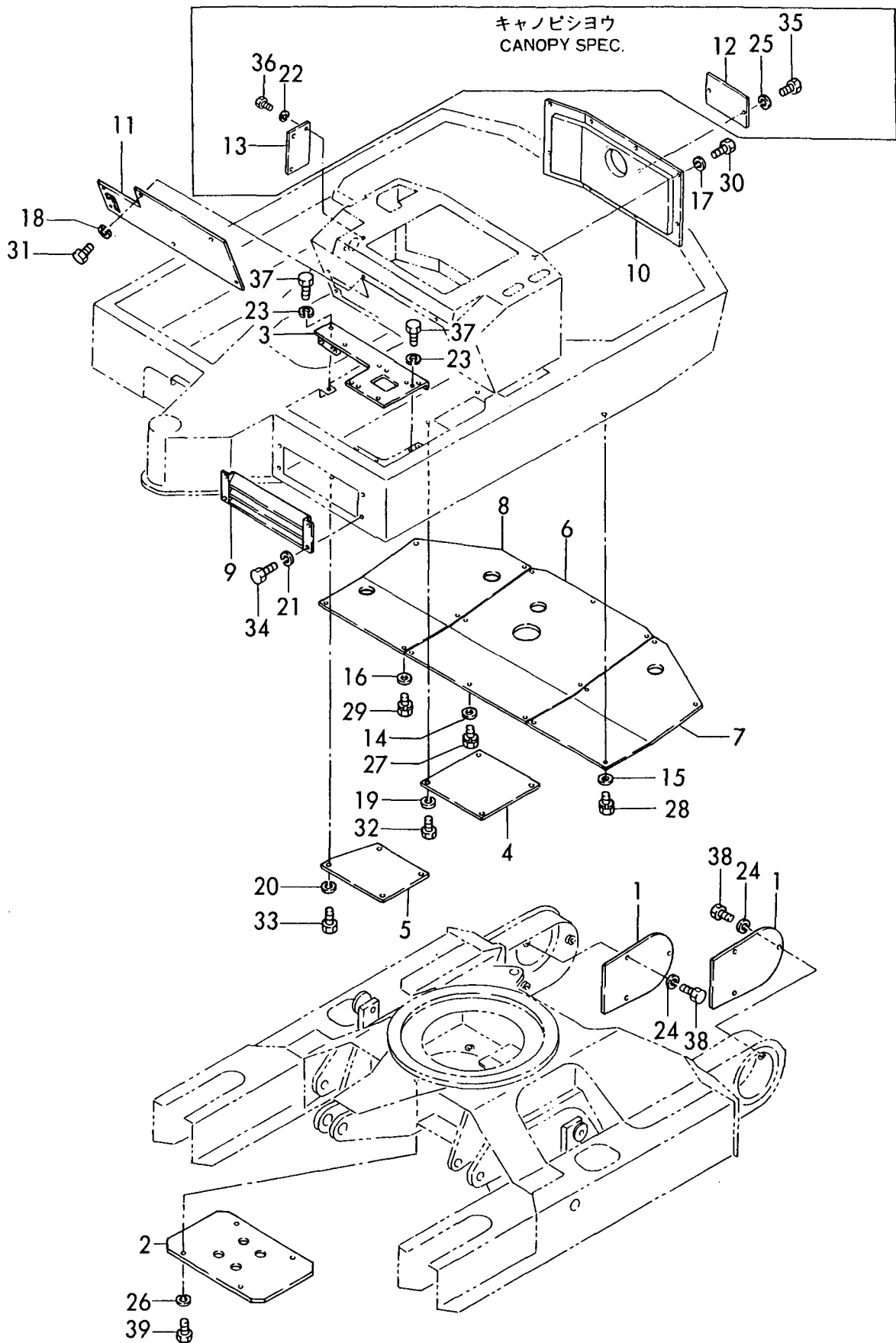


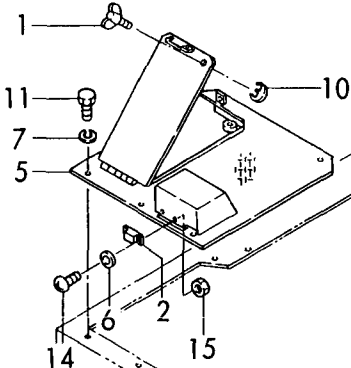


Fig. **31** ステップ、インパネ & シート  
STEP, INSTRUMENT PANEL & SEAT

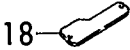
COUNTRY	AY	UK	EP
APPLI- CATION	-	○	-

キュウガタ  
PREVIOUS TYPE  
TO M/# 24458

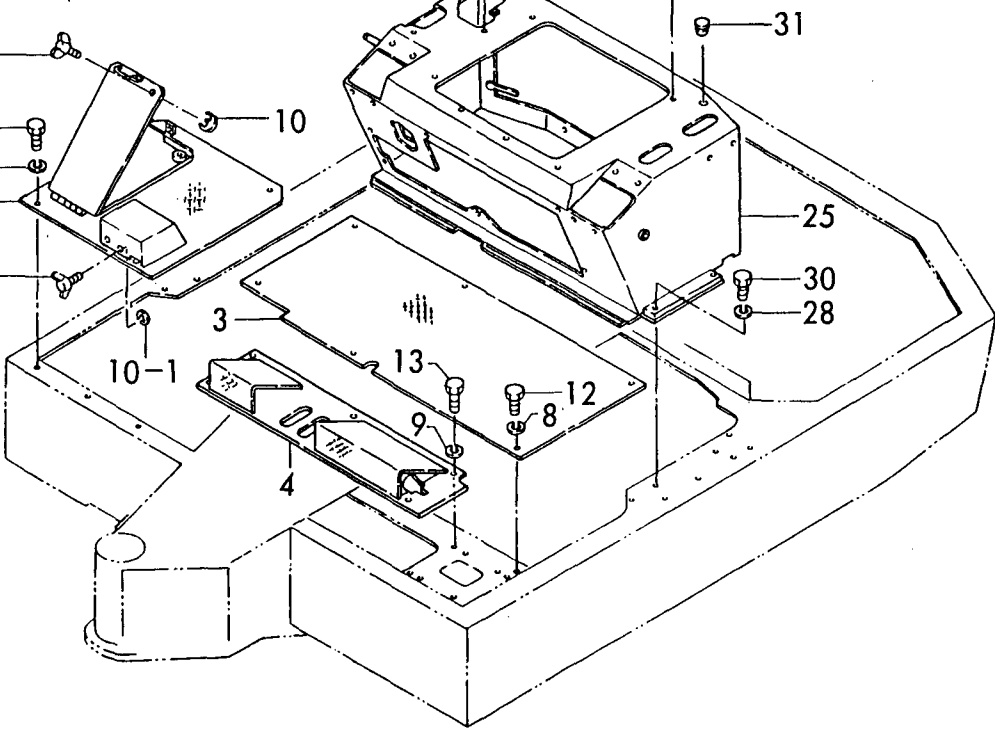
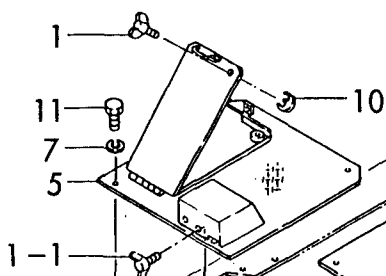
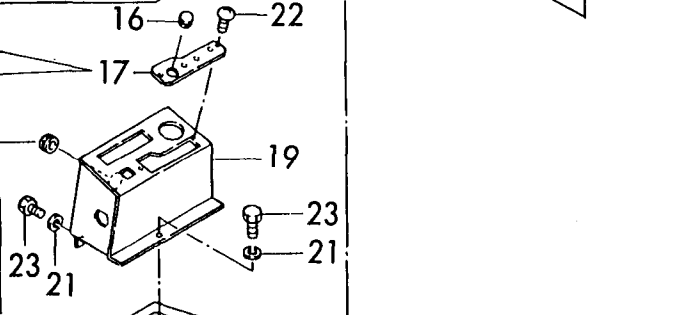
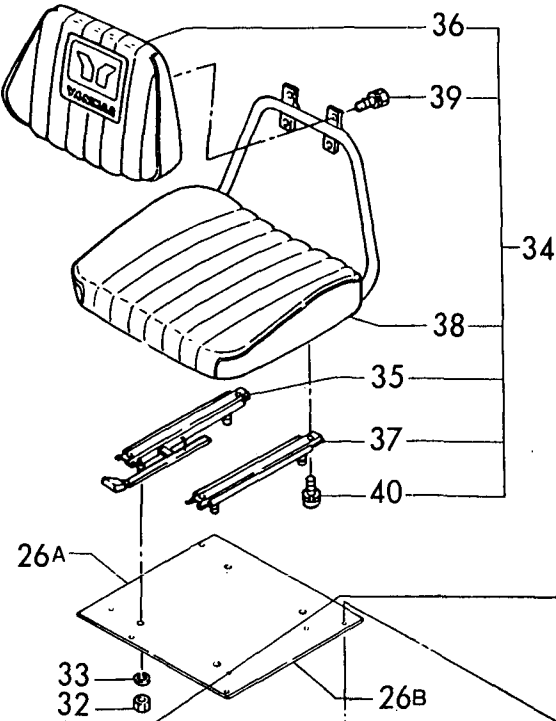
キュウガタ  
PREVIOUS TYPE



キャノピシヨウ  
CANOPY SPEC.



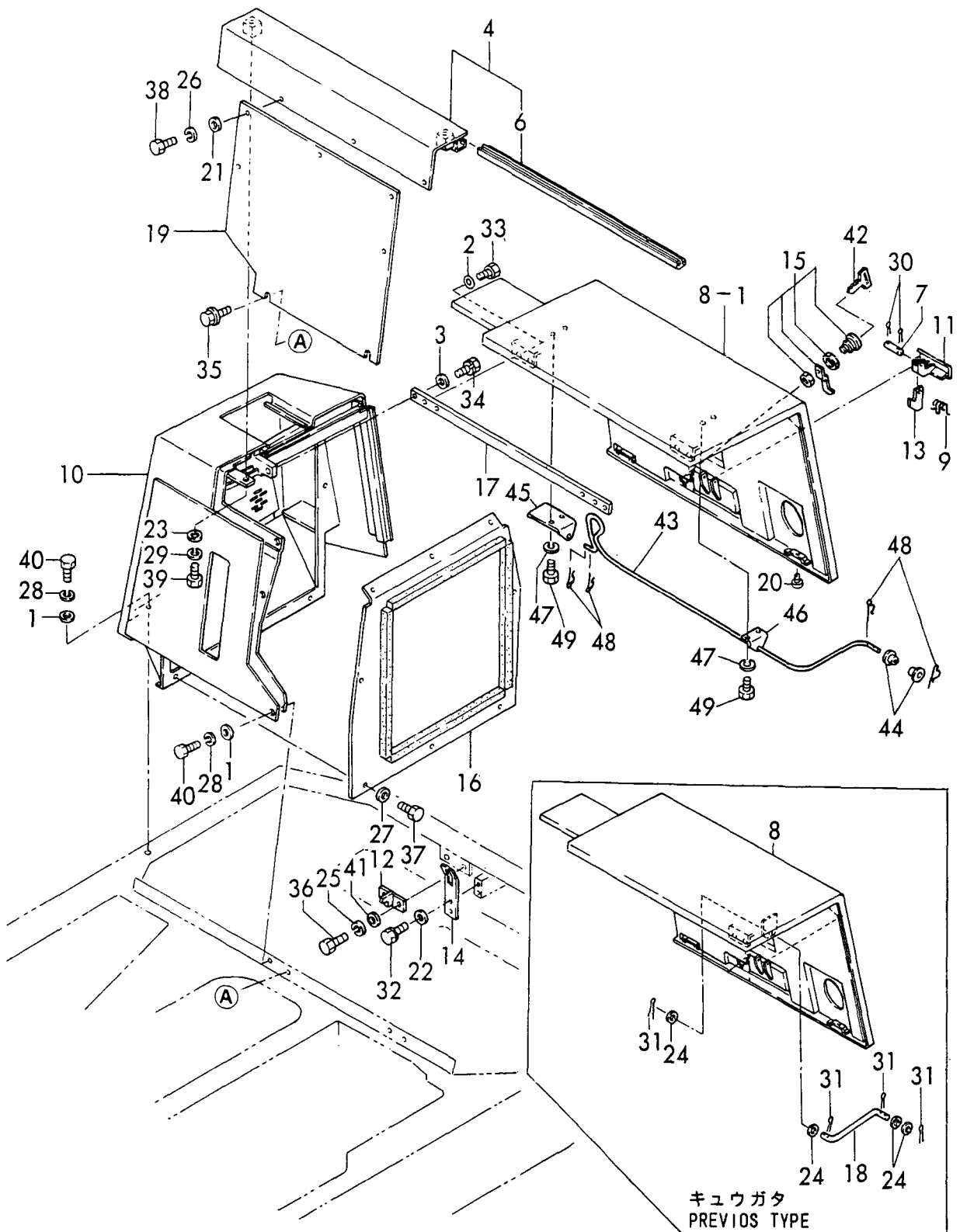
20-  
キャノピシヨウ  
CANOPY SPEC.



1,1,,194145-04810,, "WASHER 10",5,5,5,5,5,5,,,,,,,,,,,,,  
2,1,,194145-04810,, "WASHER 10",4,4,4,4,4,4,,,,,,,,,,,,,  
3,1,,194145-04810,, "WASHER 10",2,2,2,2,2,2,,,,,,,,,,,,,  
4,1,,172142-65150,, BONNET(A),1,1,1,1,1,1,,,,,,,,,,,,,  
6,2,,172142-65160,, "SEAL, BONNET",1,1,1,1,1,1,,,,,,,,,,,,,  
7,1,,172734-65260,, "PIN, BONNET LEVER",1,1,1,1,1,1,,,,,,,,,,,,,  
8,1,,172142-65270,, BONNET(B),1,1,1,1,,,,,,,,,,,,,  
8-1,1,,172148-  
65100,, BONNET(T),1,1,1,1,1,1,F,1,72148104,\*1990.11,72148104,\*1990.11,72148104,\*1  
990.11,72148104,\*1990.11,,,,,I  
9,1,,172734-65270,, "SPRING, CATCH",1,1,1,1,1,1,,,,,,,,,,,,,  
10,1,,172142-65300,, BONNET(R),1,1,1,1,,,,,,,,,,,,,  
10-1,1,,172142-  
65301,, BONNET(R),1,1,1,1,1,1,N,,72142322,M22221,72142322,M22221,72142322,M22221,  
72142322,M22221,,,,,I  
11,1,,172124-65450,, "LEVER, LOCK",1,1,1,1,1,1,,,,,,,,,,,,,  
12,1,,172126-65460,, HOOK,1,1,1,1,1,1,,,,,,,,,,,,,  
13,1,,172124-65480,, CATCHER,1,1,1,1,1,1,,,,,,,,,,,,,  
14,1,,172124-65490,, "PLATE, CATCH",1,1,1,1,1,1,,,,,,,,,,,,,  
15,1,,172126-65500,, KEY,1,1,1,1,1,1,,,,,,,,,,,,,  
16,1,,172142-65600,, "PLATE, SEAL",1,1,1,1,1,1,,,,,,,,,,,,,  
17,1,,172142-65640,, "STAY, HINGE",1,1,1,1,1,1,,,,,,,,,,,,,  
18,1,,172142-65650,, "ROD,  
STOPPER",1,1,1,1,,Z,,72148104,\*1990.11,72148104,\*1990.11,72148104,\*1990.11,7214  
8104,\*1990.11,,,,,I  
19,1,,172142-65660,, COVER,1,1,1,1,1,1,,,,,,,,,,,,,  
20,1,,172137-65700,, "RUBBER, CUSHION",4,4,4,4,4,4,,,,,,,,,,,,,  
21,1,,22137-100000,, "WASHER 10,POLISHED",5,5,5,5,5,5,,,,,,,,,,,,,  
22,1,,22137-100000,, "WASHER 10,POLISHED",2,2,2,2,2,2,,,,,,,,,,,,,  
23,1,,22137-100000,, "WASHER 10,POLISHED",2,2,2,2,2,2,,,,,,,,,,,,,  
24,1,,22137-120000,, "WASHER  
12,POLISHED",4,4,4,4,,Z,,72148104,\*1990.11,72148104,\*1990.11,72148104,\*1990.11,  
72148104,\*1990.11,,,,,I  
25,1,,22217-080000,, "SPRING WASHER 8",2,2,2,2,2,2,,,,,,,,,,,,,  
26,1,,22217-100000,, "SPRING WASHER 10",5,5,5,5,5,5,,,,,,,,,,,,,  
27,1,,22217-100000,, "SPRING WASHER 10",8,8,8,8,8,8,,,,,,,,,,,,,  
28,1,,22217-100000,, "SPRING WASHER 10",5,5,5,5,5,5,,,,,,,,,,,,,  
29,1,,22217-100000,, "SPRING WASHER 10",2,2,2,2,2,2,,,,,,,,,,,,,  
30,1,,22417-200200,, "COTTER PIN 2.0X20",2,2,2,2,2,2,,,,,,,,,,,,,  
31,1,,22417-320200,, "COTTER PIN  
3.2X20",4,4,4,4,,Z,,72148104,\*1990.11,72148104,\*1990.11,72148104,\*1990.11,72148  
104,\*1990.11,,,,,I  
32,1,,26013-100202,, "BOLT W/WASHER M10X20",2,2,2,2,2,2,,,,,,,,,,,,,  
33,1,,26013-100252,, "BOLT M10X 25",4,4,4,4,4,4,,,,,,,,,,,,,  
34,1,,26013-100302,, "BOLT M10X 30",2,2,2,2,2,2,,,,,,,,,,,,,  
35,1,,26106-100202,, "BOLT M10X 20 PLATED",2,2,2,2,2,2,,,,,,,,,,,,,  
36,1,,26116-080202,, "BOLT M 8X 20 PLATED",2,2,2,2,2,2,,,,,,,,,,,,,  
37,1,,26116-100162,, "BOLT M10X 16 PLATED",8,8,8,8,8,8,,,,,,,,,,,,,  
38,1,,26116-100202,, "BOLT M10X 20 PLATED",5,5,5,5,5,5,,,,,,,,,,,,,  
39,1,,26116-100202,, "BOLT M10X 20 PLATED",2,2,2,2,2,2,,,,,,,,,,,,,  
40,1,,26116-100252,, "BOLT M10X 25 PLATED",5,5,5,5,5,5,,,,,,,,,,,,,  
41,1,,933152-02900,, WASHER,2,2,2,2,2,2,,,,,,,,,,,,,  
42,1,,933110-00301,, "KEY ASSY",1,1,1,1,1,1,,,,,,,,,,,,,  
43,1,,172148-65150,, "TORSION  
BAR",,,,,,1,1,W,,,,,,72148104,\*1990.11,72148104,\*1990.11,I  
44,1,,172148-  
65160,, COLLAR,,,,,2,2,W,,,,,,72148104,\*1990.11,72148104,\*1990.11,I  
45,1,,172148-  
65170,, BRACKET(R),,,,,,1,1,W,,,,,,72148104,\*1990.11,72148104,\*1990.11,I  
46,1,,172148-  
65180,, BRACKET(L),,,,,,1,1,W,,,,,,72148104,\*1990.11,72148104,\*1990.11,I  
47,1,,22217-080000,, "SPRING WASHER  
8",,,,,,4,4,W,,,,,,72148104,\*1990.11,72148104,\*1990.11,I

48,1,,22372-060000,, "SNAP PIN  
6" , , , , 4,4,W, , , , , , , , 72148104,\*1990.11,72148104,\*1990.11,I  
49,1,,26116-080162,, "BOLT M 8X 16  
PLATED" , , , , 4,4,W, , , , , , , , 72148104,\*1990.11,72148104,\*1990.11,I

Fig. 32 ボンネット  
BONNET

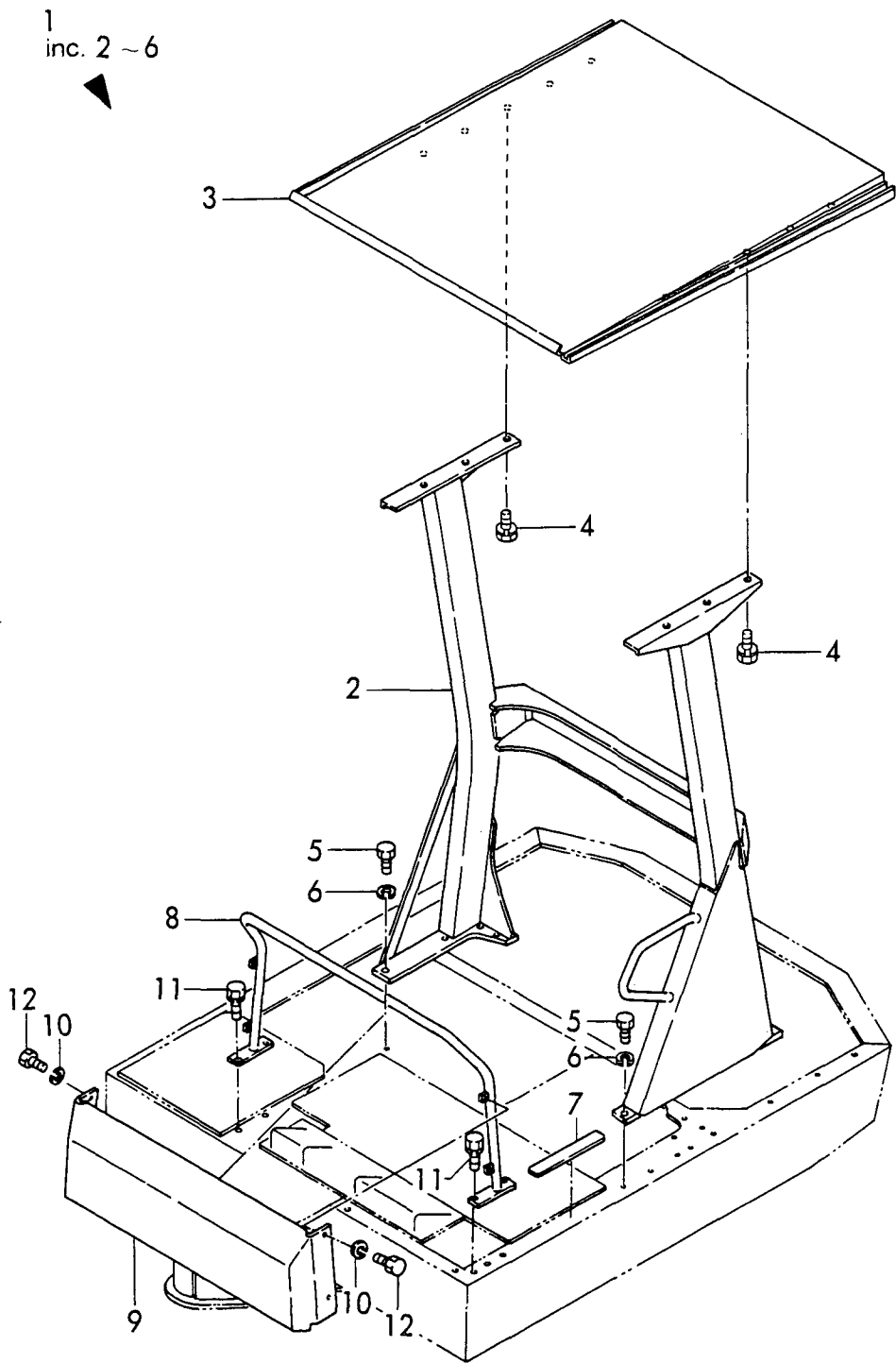




1,1,,772142-68110,, "CANOPY, T ASY" ,,1,,1,,1,,,,,,,,,,,,,  
2,2,,172142-66700,, "POLE, CANOPY" ,,1,,1,,1,,,,,,,,,,,,,  
3,2,,172142-66400,, "ROOF, CANOPY" ,,1,,1,,1,,,,,,,,,,,,,  
4,2,,26013-120252,, "BOLT M12X 25" ,,6,,6,,6,,,,,,,,,,,,,  
5,2,,172142-66660,, BOLT,,8,,8,,8,,,,,,,,,,,,,  
6,2,,22217-120000,, "WASHER 12, SPRING" ,,8,,8,,8,,,,,,,,,,,,,  
7,1,,172143-62250,, "SHEET, NON-SLIP" ,,1,,1,,1,,,,,,,,,,,,,  
8,1,,172141-68310,, CANOPY(F) ,,1,,1,,1,,,,,,,,,,,,,  
9,1,,172141-68360,, "COVER, FRONT" ,,1,,1,,1,,,,,,,,,,,,,  
10,1,,22217-100000,, "SPRING WASHER 10" ,,6,,6,,6,,,,,,,,,,,,,  
11,1,,26013-100252,, "BOLT M10X 25" ,,4,,4,,4,,,,,,,,,,,,,  
12,1,,26116-100202,, "BOLT M10X 20 PLATED" ,,6,,6,,6,,,,,,,,,,,,,

Fig. **33** キャンピ  
CANOPY

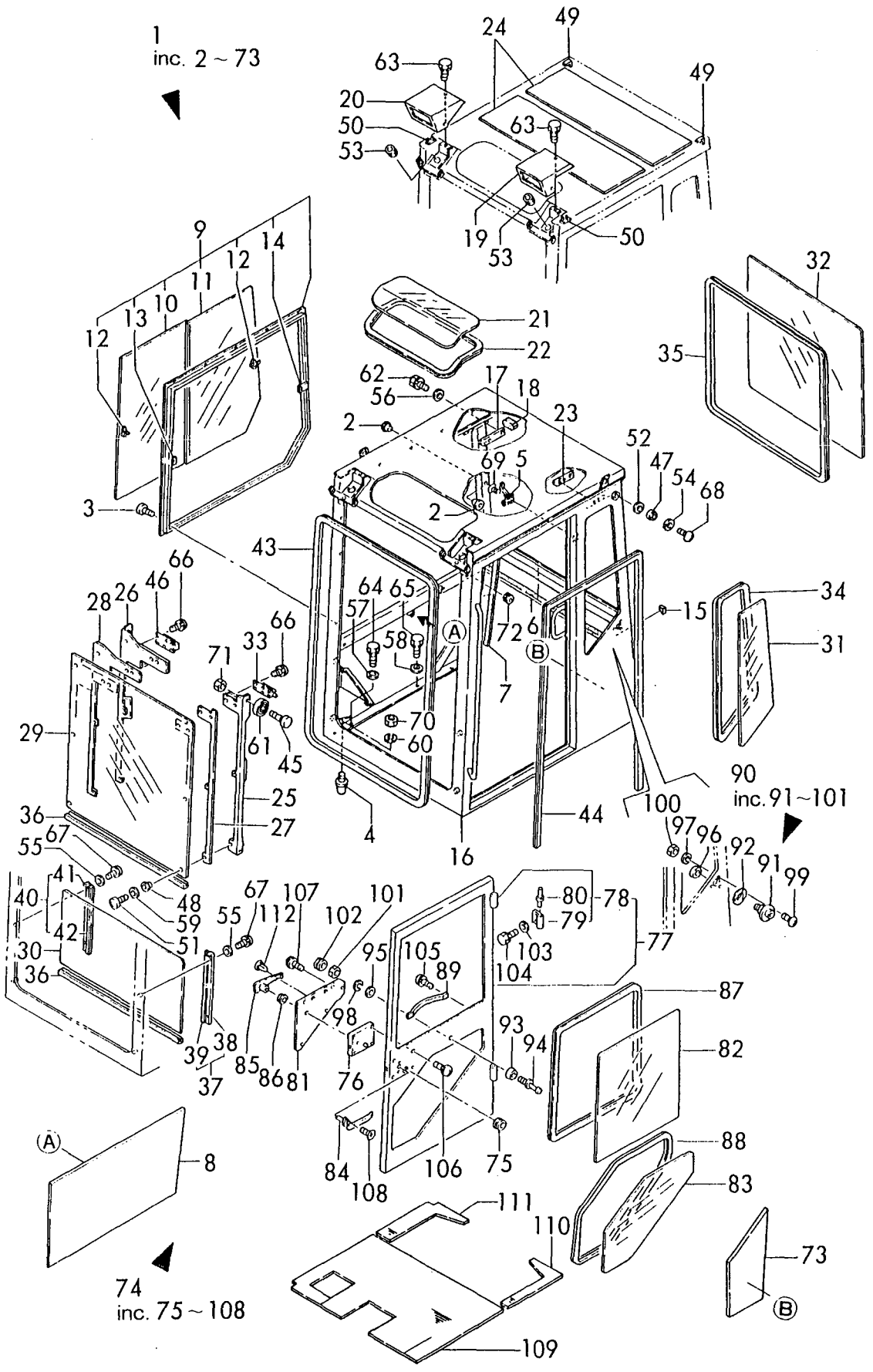
1  
inc. 2 ~ 6



1,1,,772142-68410,,CABIN,1,,1,1,,,,,,,,,,,,,  
2,2,,194150-24270,,,"SCREW CAP 13",2,,2,2,,,,,,,,,,,,,  
3,2,,172137-46210,,,"SCREW",17,,17,17,,,,,,,,,,,,,  
4,2,,172137-68120,,,"PIN",2,,2,2,,,,,,,,,,,,,  
5,2,,172119-68590,,,"RACK, HAT",1,,1,1,,,,,,,,,,,,,  
6,2,,172142-68600,,,"RUBBER(A), CUSHION",1,,1,1,,,,,,,,,,,,,  
7,2,,172142-68610,,,"RUBBER(B), CUSHION",1,,1,1,,,,,,,,,,,,,  
8,2,,172142-68620,,,"TRIM, SIDE",1,,1,1,,,,,,,,,,,,,  
9,2,,172142-68650,,,"GLASS(RF), SASH",1,,1,1,,,,,,,,,,,,,  
10,3,,172142-68660,,,"GLASS(RR), SASH",1,,1,1,,,,,,,,,,,,,  
11,3,,172142-68670,,,"GLASS(RR), SASH",1,,1,1,,,,,,,,,,,,,  
12,3,,172122-69350,,,"LOCK, WINDOW",2,,2,2,,,,,,,,,,,,,  
13,3,,172122-69360,,,"HOLDER(F), LOCK",1,,1,1,,,,,,,,,,,,,  
14,3,,172122-69370,,,"HOLDER(R), LOCK",1,,1,1,,,,,,,,,,,,,  
15,2,,172142-68690,,,"RUBBER",1,,1,1,,,,,,,,,,,,,  
16,2,,172142-68810,,,"CABIN, T",1,,1,1,,,,,,,,,,,,,  
17,2,,172135-68820,,,"MOUNT, LOCK",1,,1,1,,,,,,,,,,,,,  
18,2,,172135-68830,,,"CUSHION",2,,2,2,,,,,,,,,,,,,  
19,2,,172142-68890,,,"COVER,LIGHT L",1,,1,1,,,,,,,,,,,,,  
20,2,,172142-68900,,,"COVER,LIGHT R",1,,1,1,,,,,,,,,,,,,  
21,2,,172142-68920,,,"PLATE,ACRYL",1,,1,1,,,,,,,,,,,,,  
22,2,,172142-68930,,,"SEAL, TOP",1,,1,1,,,,,,,,,,,,,  
23,2,,172137-68940,,,"PLATE",1,,1,1,,,,,,,,,,,,,  
24,2,,172142-68940,,,"TRIM,ROOF(T)",2,,2,2,,,,,,,,,,,,,  
25,2,,172135-69010,,,"FRAME (L), GLASS",1,,1,1,,,,,,,,,,,,,  
26,2,,172135-69030,,,"FRAME (R), GLASS",1,,1,1,,,,,,,,,,,,,  
27,2,,172135-69070,,,"GASKET, FRAME (L)",1,,1,1,,,,,,,,,,,,,  
28,2,,172135-69080,,,"GASKET, FRAME (R)",1,,1,1,,,,,,,,,,,,,  
29,2,,172135-69140,,,"GLASS, FRONT",1,,1,1,,,,,,,,,,,,,  
30,2,,172135-69150,,,"GLASS, FRONT LOWER",1,,1,1,,,,,,,,,,,,,  
31,2,,172135-69180,,,"GLASS, SIDE",1,,1,1,,,,,,,,,,,,,  
32,2,,172135-69190,,,"GLASS, REAR",1,,1,1,,,,,,,,,,,,,  
33,2,,172137-69270,,,"LATCH (L)",1,,1,1,,,,,,,,,,,,,  
34,2,,172135-69280,,,"SEAL (C), SIDE",1,,1,1,,,,,,,,,,,,,  
35,2,,172135-69290,,,"SEAL (D), REAR",1,,1,1,,,,,,,,,,,,,  
36,2,,172135-69300,,,"RUBBER (A)",2,,2,2,,,,,,,,,,,,,  
37,2,,172135-69320,,,"SUPPORT (A L)ASSY",1,,1,1,,,,,,,,,,,,,  
38,3,,172135-69340,,,"SUPPORT (A L)",1,,1,1,,,,,,,,,,,,,  
39,3,,172135-69360,,,"RUBBER",1,,1,1,,,,,,,,,,,,,  
40,2,,172135-69330,,,"SUPPORT (A R)ASSY",1,,1,1,,,,,,,,,,,,,  
41,3,,172135-69350,,,"SUPPORT (A R)",1,,1,1,,,,,,,,,,,,,  
42,3,,172135-69360,,,"RUBBER",1,,1,1,,,,,,,,,,,,,  
43,2,,172135-69420,,,"SEAL, FRONT GLASS",1,,1,1,,,,,,,,,,,,,  
44,2,,172135-69430,,,"SEAL, DOOR",1,,1,1,,,,,,,,,,,,,  
45,2,,172137-69541,,,"SHAFT, ROLLER",4,,4,4,,,,,,,,,,,,,  
46,2,,172137-69570,,,"LATCH(R)",1,,1,1,,,,,,,,,,,,,  
47,2,,172117-69600,,,"RUBBER, CUSHION",1,,1,1,,,,,,,,,,,,,  
48,2,,172137-69651,,,"COLLAR, GLASS",7,,7,7,,,,,,,,,,,,,  
49,2,,172135-69700,,,"RUBBER(A)",2,,2,2,,,,,,,,,,,,,  
50,2,,172135-69710,,,"RUBBER(B)",2,,2,2,,,,,,,,,,,,,  
51,2,,172137-69840,,,"SCREW",7,,7,7,,,,,,,,,,,,,  
52,2,,172122-69940,,,"RUBBER, CUSHION",1,,1,1,,,,,,,,,,,,,  
53,2,,172110-75450,,,"GROMMET",2,,2,2,,,,,,,,,,,,,  
54,2,,22137-060000,,,"WASHER 6, POLISHED",1,,1,1,,,,,,,,,,,,,  
55,2,,22137-060000,,,"WASHER 6, POLISHED",4,,4,4,,,,,,,,,,,,,  
56,2,,22137-080000,,,"WASHER 8, POLISHED",4,,4,4,,,,,,,,,,,,,  
57,2,,22137-100000,,,"WASHER 10,POLISHED",4,,4,4,,,,,,,,,,,,,  
58,2,,22137-120000,,,"WASHER 12,POLISHED",4,,4,4,,,,,,,,,,,,,  
59,2,,22157-080000,,,"WASHER 8",7,,7,7,,,,,,,,,,,,,  
60,2,,22217-100000,,,"SPRING WASHER 10",2,,2,2,,,,,,,,,,,,,  
61,2,,24104-062004,,,"BALL BEARING",4,,4,4,,,,,,,,,,,,,  
62,2,,26013-080202,,,"BOLT W/WASHER M8X20",4,,4,4,,,,,,,,,,,,,  
63,2,,26013-080202,,,"BOLT W/WASHER M8X20",6,,6,6,,,,,,,,,,,,,

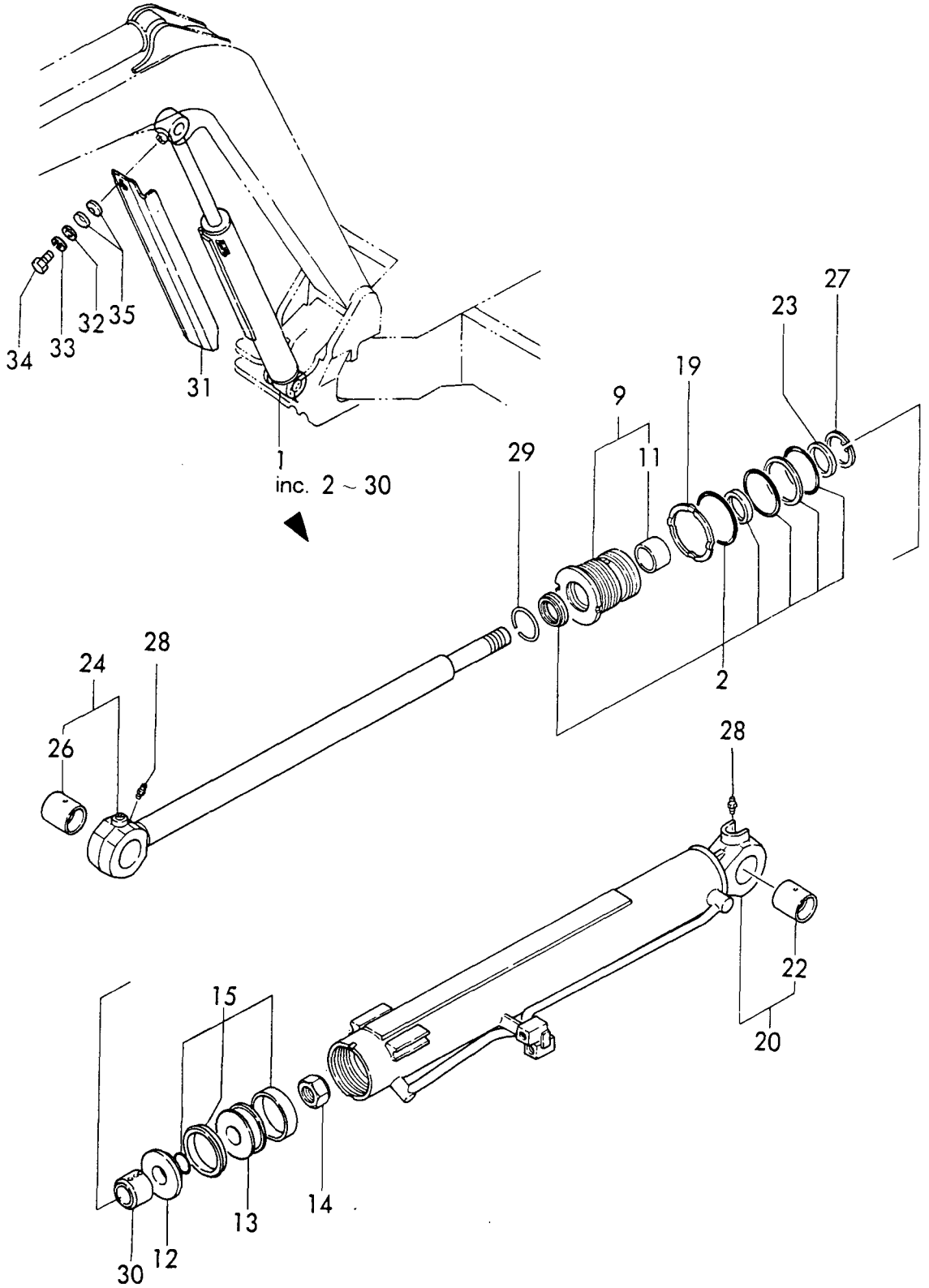
64,2,,26013-100252,, "BOLT M10X 25",4,,4,,4,,,,,,,,,,,,,  
65,2,,26013-120302,, "BOLT W/WASHER M12X30",4,,4,,4,,,,,,,,,,,,,  
66,2,,26022-050122,, "SCREW M 5X 12",12,,12,,12,,,,,,,,,,,,,  
67,2,,26022-060122,, "SCREW M 6X 12",4,,4,,4,,,,,,,,,,,,,  
68,2,,26557-060252,, "SCREW M 6X 25",1,,1,,1,,,,,,,,,,,,,  
69,2,,26567-040102,, "SCREW M 4X 10",4,,4,,4,,,,,,,,,,,,,  
70,2,,26717-100002,, "NUT M10",2,,2,,2,,,,,,,,,,,,,  
71,2,,26756-140002,, "LOCK NUT M14 PLATED",4,,4,,4,,,,,,,,,,,,,  
72,2,,933160-09220,, GROMMET,2,,2,,,,,,,,,,,,,  
72-1,2,,172725-16380,, "GROMMET  
15X20",2,,2,,2,,N,,72142360,M21109,,,72142360,M21109,,,,,,,,,I  
73,2,,172148-68420,, "TRIM, SIDE L",1,,1,,1,,,,,,,,,,,,,  
74,1,,772135-68850,, "SIDE DOOR ASSY",1,,1,,1,,,,,,,,,,,,,  
75,2,,172137-66230,, GROMMET,1,,1,,1,,,,,,,,,,,,,  
76,2,,172137-66240,, "LOCK, DOOR",1,,1,,1,,,,,,,,,,,,,  
77,2,,172135-68850,, "DOOR ASSY, SIDE",1,,1,,1,,,,,,,,,,,,,  
77-1,2,,172135-68851,, "DOOR ASSY,  
SIDE",1,,1,,,N,,72151109,M22988,,,72151109,M22988,,,,,,,,,I  
78,3,,172137-69410,, HINGE,2,,2,,2,,,,,,,,,,,,,  
79,4,,172137-66650,, HINGE(B),2,,2,,2,,,,,,,,,,,,,  
80,4,,172122-69390,, HINGE,2,,2,,2,,,,,,,,,,,,,  
81,2,,172135-68950,, "COVER, LATCH",1,,1,,1,,,,,,,,,,,,,  
82,2,,172135-69160,, "GLASS, SIDE DOOR(A)",1,,1,,1,,,,,,,,,,,,,  
83,2,,172135-69170,, "GLASS, SIDE DOOR(B)",1,,1,,1,,,,,,,,,,,,,  
84,2,,172137-69200,, "HANDLE, OUTER",1,,1,,1,,,,,,,,,,,,,  
85,2,,172137-69210,, "HANDLE, INNER",1,,1,,1,,,,,,,,,,,,,  
86,2,,172137-69220,, GROMMET,1,,1,,1,,,,,,,,,,,,,  
87,2,,172135-69260,, "SEAL (A), DOOR",1,,1,,1,,,,,,,,,,,,,  
88,2,,172135-69270,, "SEAL (B), DOOR",1,,1,,1,,,,,,,,,,,,,  
89,2,,172122-69620,, "KNOB, DOOR",1,,1,,1,,,,,,,,,,,,,  
90,2,,172117-69630,, "CATCH ASSY, DOOR",1,,1,,1,,,,,,,,,,,,,  
91,3,,172117-69640,, CATCH-FEMALE,1,,1,,1,,,,,,,,,,,,,  
92,3,,172117-69650,, GASKET,1,,1,,1,,,,,,,,,,,,,  
93,3,,172117-69660,, CUSHION,1,,1,,1,,,,,,,,,,,,,  
94,3,,172117-69670,, CATCH-MALE,1,,1,,1,,,,,,,,,,,,,  
95,3,,172117-69680,, WASHER,1,,1,,1,,,,,,,,,,,,,  
96,3,,172117-69690,, "CAP, KNOB",1,,1,,1,,,,,,,,,,,,,  
97,3,,22217-050000,, "SPRING WASHER 5",3,,3,,3,,,,,,,,,,,,,  
98,3,,22217-080000,, "SPRING WASHER 8",1,,1,,1,,,,,,,,,,,,,  
99,3,,26557-050162,, "SCREW M 5X 16",3,,3,,3,,,,,,,,,,,,,  
100,3,,26716-050002,, "NUT M 5",3,,3,,3,,,,,,,,,,,,,  
101,3,,26716-080002,, "NUT M 8",1,,1,,1,,,,,,,,,,,,,  
102,2,,172112-69790,, "PLUG 32X2",1,,1,,1,,,,,,,,,,,,,  
103,2,,22137-100000,, "WASHER 10,POLISHED",4,,4,,4,,,,,,,,,,,,,  
104,2,,26013-100252,, "BOLT M10X 25",4,,4,,4,,,,,,,,,,,,,  
105,2,,26022-050202,, "SCREW M 5X 20",4,,4,,4,,,,,,,,,,,,,  
106,2,,26022-060122,, "SCREW M 6X 12",4,,4,,4,,,,,,,,,,,,,  
107,2,,26023-050122,, "SCREW M 5X 12",5,,5,,5,,,,,,,,,,,,,  
108,2,,26577-050122,, "SCREW M 5X 12",2,,2,,2,,,,,,,,,,,,,  
109,1,,172142-68950,, "MAT, FLOOR T",1,,1,,,,,,,,,,,,,  
109-1,1,,172142-68951,, "MAT, FLOOR  
T",1,,1,,1,,N,,72148106,M23141,,,72148106,M23141,,,,,,,,,I  
110,1,,172148-68400,, "MAT, FLOOR A",1,,1,,1,,,,,,,,,,,,,  
111,1,,172148-68410,, "MAT, FLOOR B",1,,1,,1,,,,,,,,,,,,,  
112,1,,172151-68800,, TREE-  
CLIP,2,,2,,4,,W,,72151111,M23117,,,72151111,M23117,,,,,,,,,I

Fig. 34 キャビン CABIN



1,1,,172142-72860,, "CYLINDER,BOOM UA",1,,1,,1,,,,,,,,,,,,,  
2,2,,172142-72900,, "SEAL SET, HEAD",1,,1,,1,,,,,,,,,,,,,  
9,2,,172142-72210,, "HEAD 80 40 C W/BUSH",1,,1,,1,,,,,,,,,,,,,  
11,3,,933135-14600,, "BUSH 40 30, ROD",1,,1,,1,,,,,,,,,,,,,  
12,2,,172142-72231,, "PISTON 80 27 B",1,,1,,1,,,,,,,,,,,,,  
13,2,,172142-72241,, "PISTON 80 27  
A",1,,1,,1,,,,,72175012,,,,,72175012,,,,,72175012,,,,,I  
14,2,,172141-72250,, "U-NUT M27",1,,1,,1,,,,,,,,,,,,,  
15,2,,172142-72911,, "SEAL SET, PISTON",1,,1,,1,,,,,,,,,,,,,  
19,2,,172142-72260,, "WASHER 80 B",1,,1,,1,,,,,,,,,,,,,  
20,2,,772142-72870,, "TUBE W/BUSH,BOOM UA",1,,1,,1,,,,,,,,,,,,,  
22,3,,933125-30000,, "BUSH 45 50",1,,1,,1,,,,,,,,,,,,,  
23,2,,172137-72730,, "RING 44B, CUSHION",1,,1,,1,,,,,,,,,,,,,  
24,2,,772142-72331,, "ROD W/BUSH BOOM",1,,1,,1,,,,,,,,,,,,,  
26,3,,933125-30000,, "BUSH 45  
50",1,,1,,1,,,,,72168003,,,,,72168003,,,,,72168003,,,,,I  
27,2,,22252-000561,, "CIRCLIP 56",1,,1,,1,,,,,,,,,,,,,  
28,2,,24761-020000,, "NIPPLE PT1/8,GREASE",2,,2,,2,,,,,,,,,,,,,  
29,2,,933111-26600,, "RING 55, SPRING",1,,1,,1,,,,,,,,,,,,,  
30,2,,933127-27102,, "PLUNGER 44A, CUSHION",1,,1,,1,,,,,,,,,,,,,  
31,1,,172142-72340,, "COVER, SLIDE",1,,1,,1,,,,,,,,,,,,,  
32,1,,933147-03400,, "WASHER, BRAKE ARM",1,,1,,1,,,,,,,,,,,,,  
33,1,,22217-100000,, "SPRING WASHER 10",1,,1,,1,,,,,,,,,,,,,  
34,1,,26116-100162,, "BOLT M10X 16 PLATED",1,,1,,1,,,,,,,,,,,,,  
35,1,,933168-14170,, "SPRING 16",2,,2,,2,,,,,,,,,,,,,

Fig. **35** ブームシリンダ(UA)(キャビン)  
BOOM CYLINDER(UA) (CABIN SPEC.)



1,1,,172142-72281,,,"CYLINDER ASSY, BOOM",,1,,,,,,,,,,,,,  
1-1,1,,172142-72282,,,"CYLINDER ASSY,  
BOOM",,1,,1,,1,S,,,,,72141330,M20632,,,,,,I  
2,2,,172142-72900,,,"SEAL SET, HEAD",,1,,1,,1,,,,,,,,,,,,,  
9,2,,172142-72210,,,"HEAD 80 40 C W/BUSH",,1,,1,,1,,,,,,,,,,,,,I  
11,3,,933135-14600,,,"BUSH 40 30, ROD",,1,,1,,1,,,,,,,,,,,,,I  
12,2,,172142-72231,,,"PISTON 80 27 B",,1,,1,,1,,,,,,,,,,,,,  
13,2,,172142-72241,,,"PISTON 80 27  
A",,1,,1,,1,,,,,72175012,,,,,72175012,,,,,72175012,,I  
14,2,,172141-72250,,,"U-NUT M27",,1,,1,,1,,,,,,,,,,,,,  
15,2,,172142-72911,,,"SEAL SET, PISTON",,1,,1,,1,,,,,,,,,,,,,  
19,2,,172142-72260,,,"WASHER 80 B",,1,,1,,1,,,,,,,,,,,,,  
20,2,,772142-72291,,,"TUBE W/BUSH, BOOM(Z)",,1,,1,,1,,,,,,,,,,,,,  
22,3,,933125-30000,,,"BUSH 45 50",,1,,1,,1,,,,,,,,,,,,,  
23,2,,772142-72330,,,"ROD W/BUSH, BOOM(Z)",,1,,,,,,,,,,,,,I  
23-1,2,,772142-72331,,,"ROD W/BUSH BOOM",,1,,1,,1,S,,,,,72141330,M20632,,,,,,I  
25,3,,933125-30000,,,"BUSH 45  
50",,1,,1,,1,,,,,72168003,,,,,72168003,,,,,72168003,,I  
26,2,,172137-72730,,,"RING 44B, CUSHION",,1,,1,,1,,,,,,,,,,,,,  
27,2,,22252-000561,,,"CIRCLIP 56",,1,,1,,1,,,,,,,,,,,,,  
28,2,,24761-020000,,,"NIPPLE PT1/8,GREASE",,2,,2,,2,,,,,,,,,,,,,  
29,2,,933111-26600,,,"RING 55, SPRING",,1,,1,,1,,,,,,,,,,,,,  
30,2,,933127-27102,,,"PLUNGER 44A, CUSHION",,1,,1,,1,,,,,,,,,,,,,  
31,1,,172142-72340,,,"COVER, SLIDE",,1,,1,,1,,,,,,,,,,,,,  
32,1,,993147-03400,,,"WASHER, BRAKE ARM",,1,,1,,1,,,,,,,,,,,,,  
33,1,,22217-100000,,,"SPRING WASHER 10",,1,,1,,1,,,,,,,,,,,,,  
34,1,,26116-100162,,,"BOLT M10X 16 PLATED",,1,,1,,1,,,,,,,,,,,,,  
35,1,,933168-14170,,,"SPRING 16",,2,,2,,2,,,,,,,,,,,,,



Fig. **36** ブームシリンダ(UZ)(キャノピ)  
 BOOM CYLINDER (UZ) (CANOPY SPEC.)

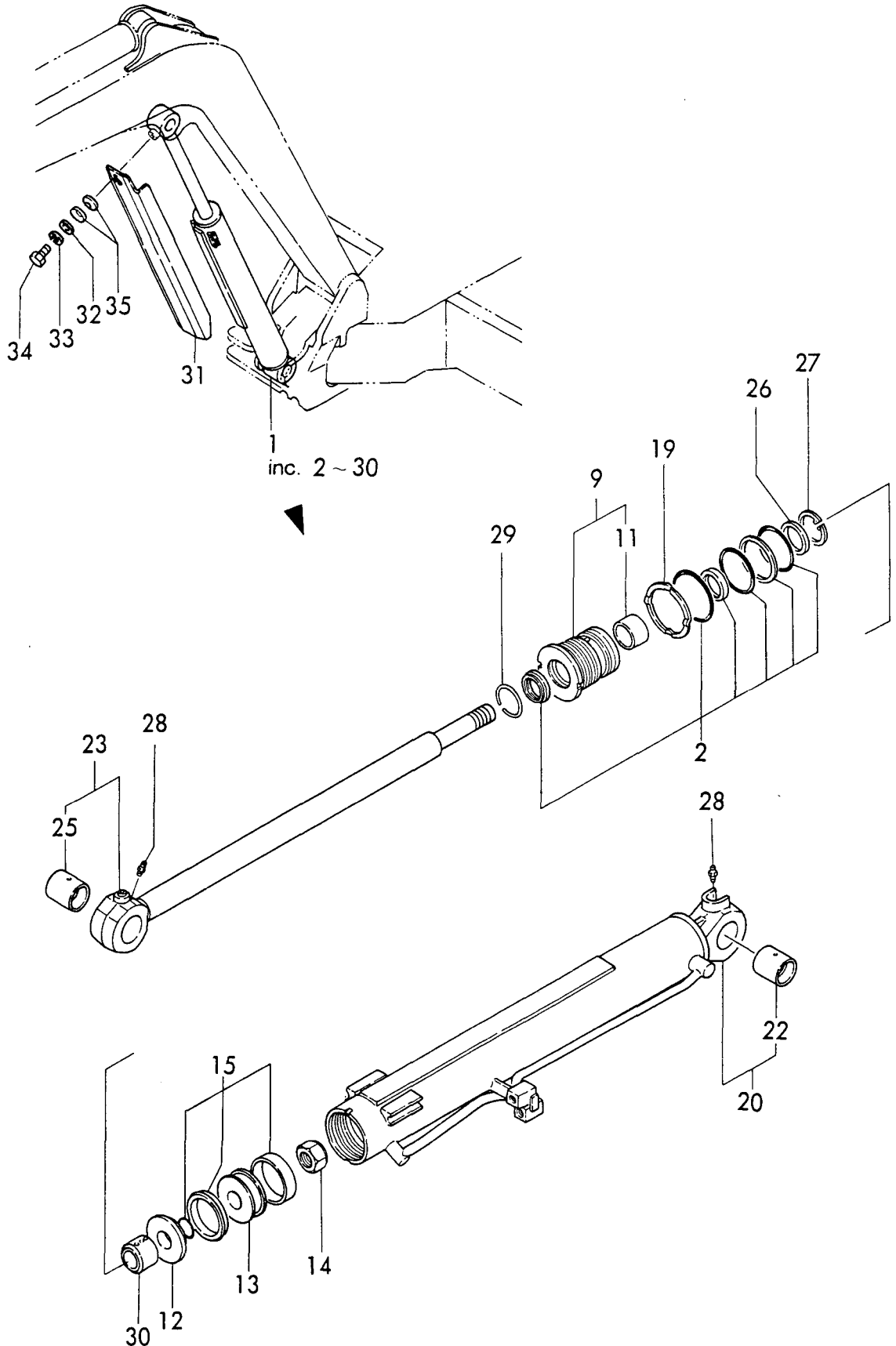
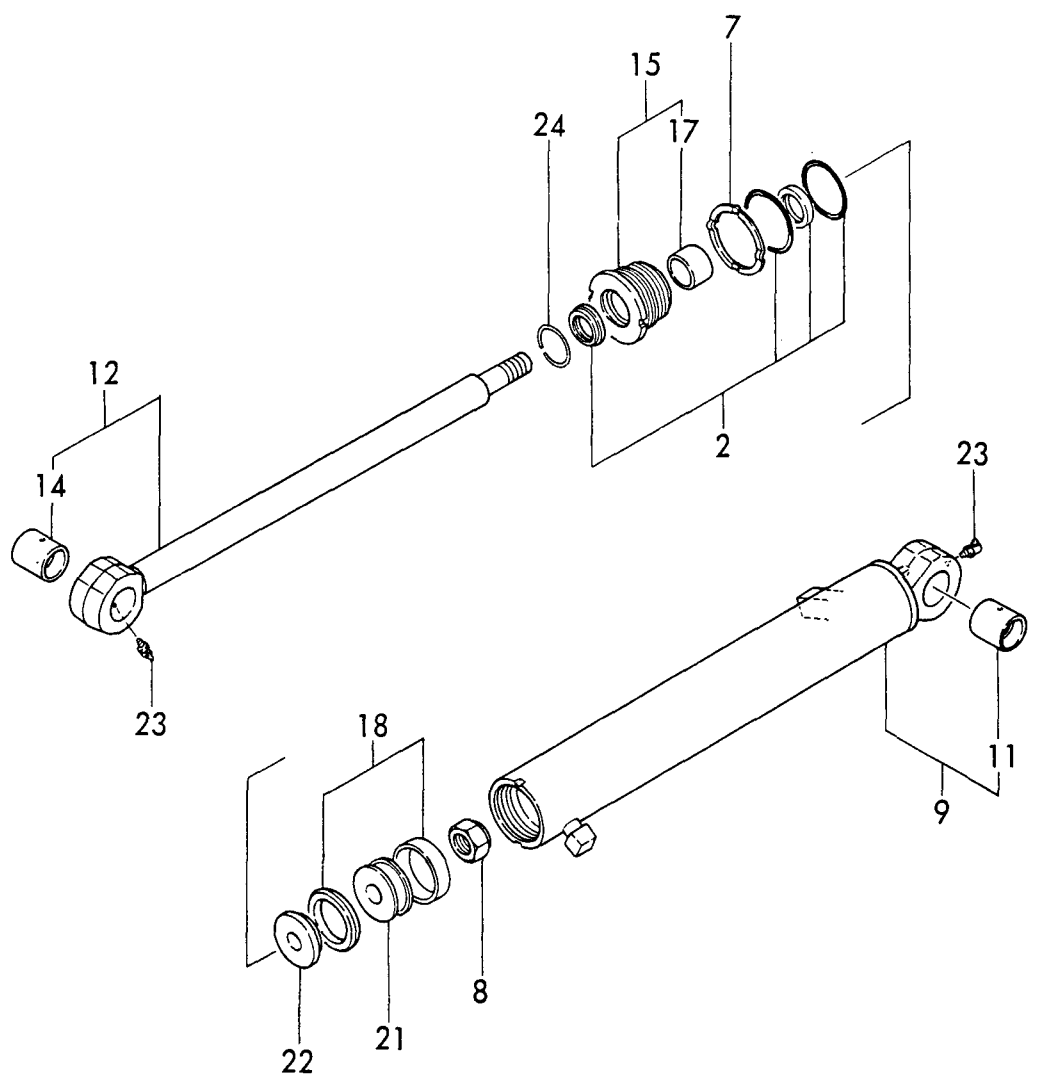
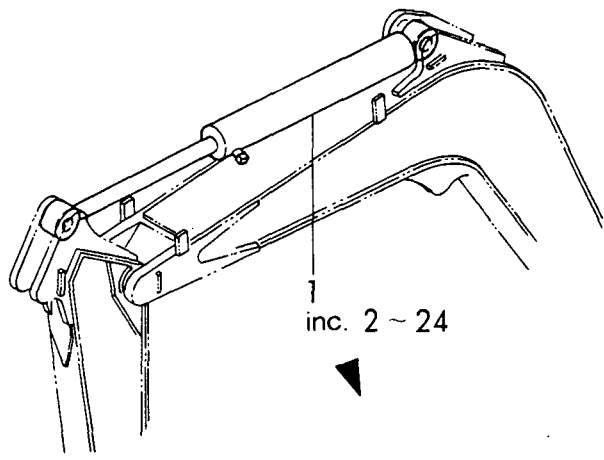




Fig. 37 アームシリンダ  
ARM CYLINDER



1,1,,172142-72430,, "CYLINDER ASSY, BUCKET",1,1,1,1,1,1,1,1,,,,,,,,,,,,,  
2,2,,172142-71920,, "SEAL SET, HEAD",1,1,1,1,1,1,1,1,,,,,,,,,,,,,I  
2-1,2,,172142-72920,, "SEAL SET, HEAD",1,1,1,1,1,1,1,1,,,,,,,,,,,,,I  
7,2,,172141-72250,, "U-NUT M27",1,1,1,1,1,1,1,1,,,,,,,,,,,,,  
8,2,,772142-72440,, "TUBE W/BUSH, BUCKET",1,1,1,1,1,1,1,1,,,,,,,,,,,,,  
10,3,,933125-12701,, "BUSH 38 50A",1,1,1,1,1,1,1,1,,,,,,,,,,,,,  
11,2,,772142-72500,, "ROD W/BUSH, BUCKET",1,1,1,1,1,1,1,1,,,,,,,,,,,,,  
13,3,,933125-12701,, "BUSH 38 50A",1,1,1,1,1,1,1,1,,,,,,,,,,,,,  
14,2,,172142-72510,, "HEAD 65 40 W/BUSH",1,1,1,1,1,1,1,1,,,,,,,,,,,,,  
16,3,,933135-14600,, "BUSH 40 30, ROD",1,1,1,1,1,1,1,1,,,,,,,,,,,,,  
17,2,,172148-72940,, "SEAL SET, PISTON",1,1,1,1,1,1,1,1,,,,,,,,,,,,,  
20,2,,172148-72790,, "PISTON 65",1,1,1,1,1,1,1,1,,,,,,,,,,,,,  
21,2,,172142-72560,, "WASHER 65, LOCK",1,1,1,1,1,1,1,1,,,,,,,,,,,,,  
22,2,,24761-040000,, "NIPPLE B, GREASE",2,2,2,2,2,2,2,2,,,,,,,,,,,,,  
23,2,,933111-26600,, "RING 55, SPRING",1,1,1,1,1,1,1,1,,,,,,,,,,,,,

Fig. 38 バケットシリンダ BUCKET CYLINDER

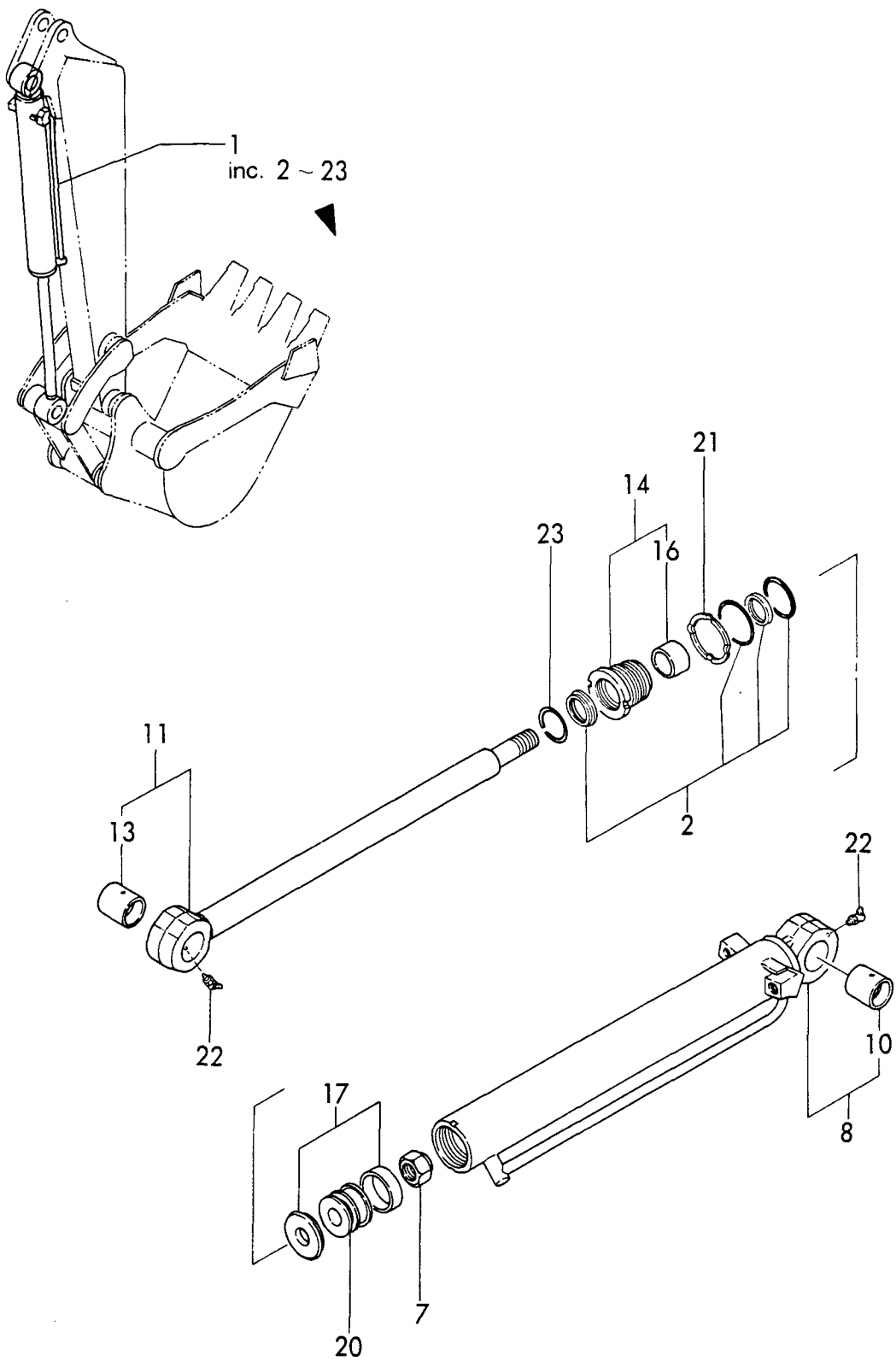
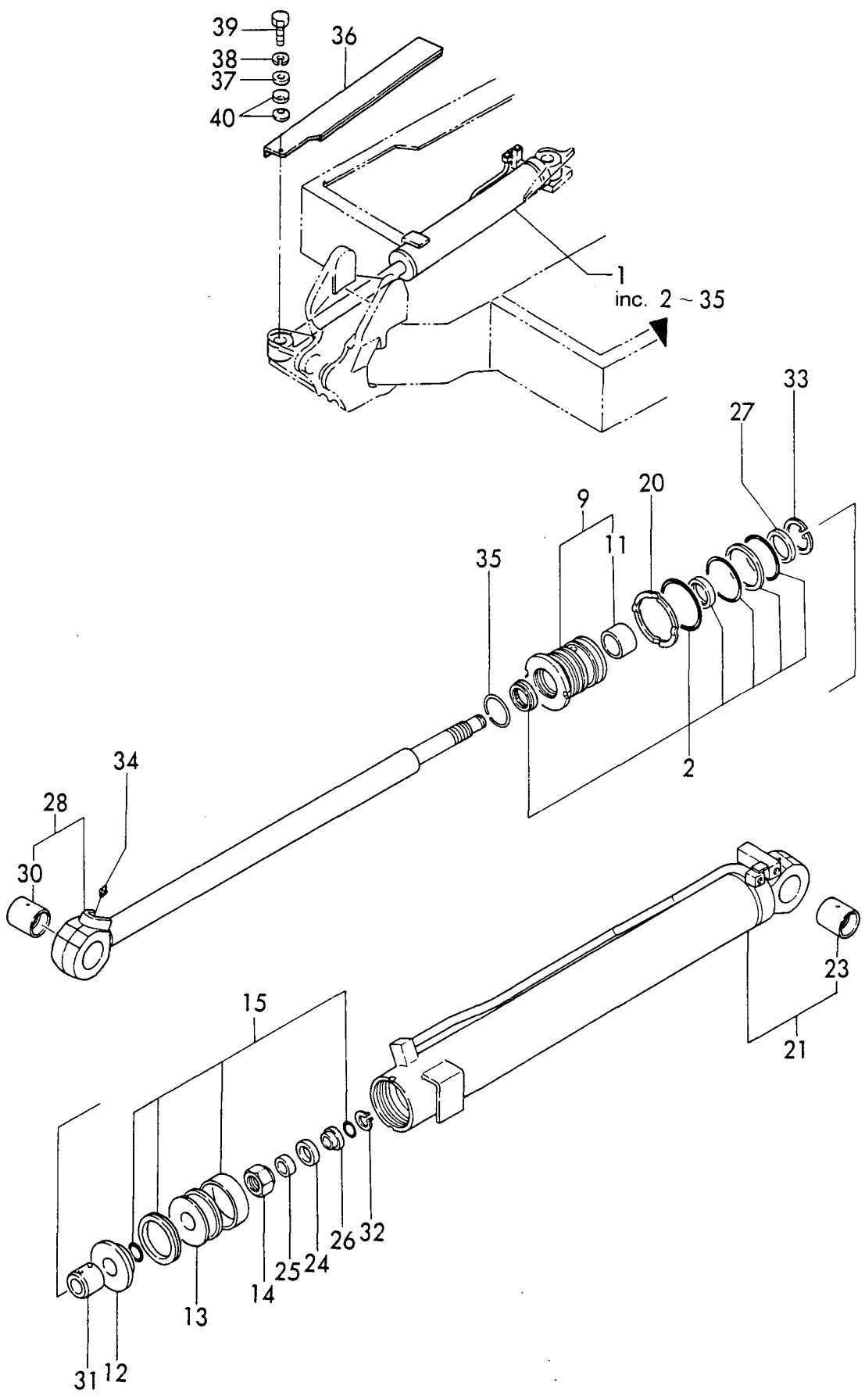




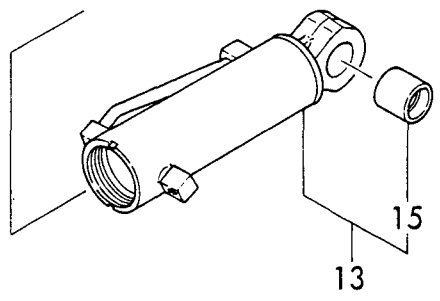
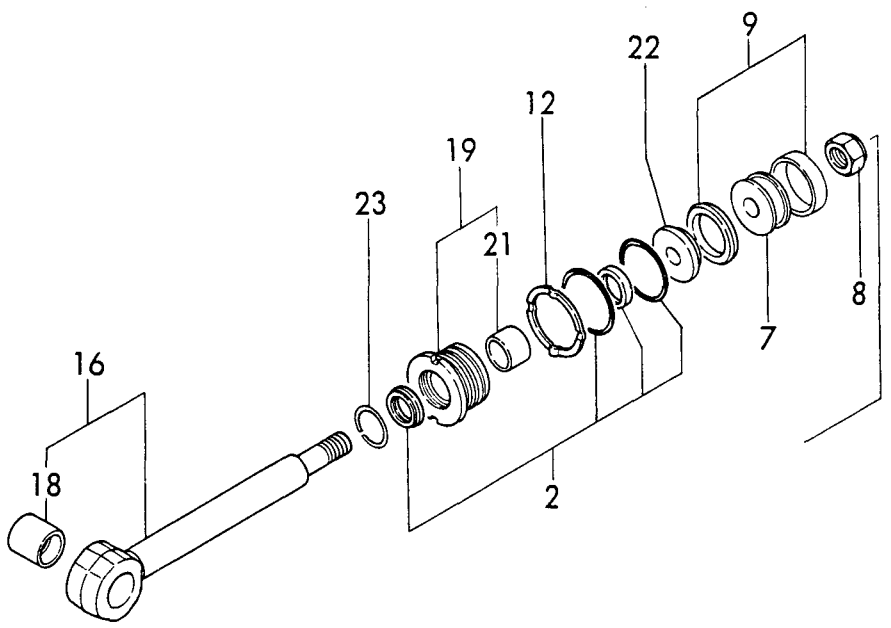
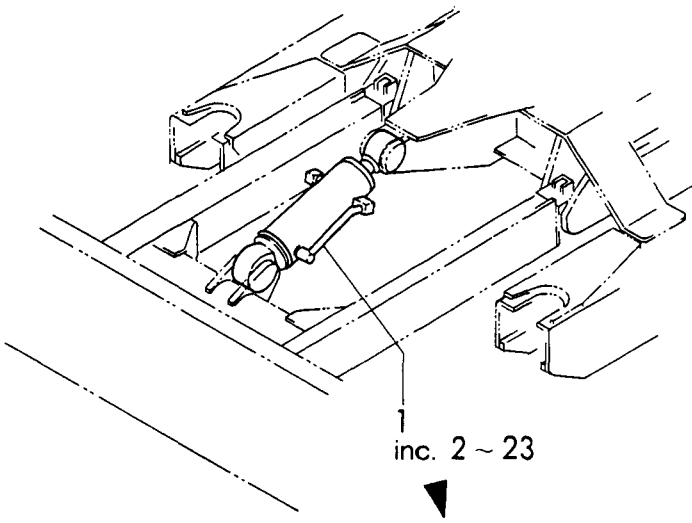
Fig. 39 スイングシリンダ  
SWING CYLINDER



1,1,,172142-72570,, "CYLINDER ASSY, BLADE",1,1,1,1,1,1,1,1,,,,,,,,,,,,,  
2,2,,172142-72930,, "SEAL SET, HEAD",1,1,1,1,1,1,1,1,,,,,,,,,,,,,  
7,2,,172142-72241,, "PISTON 80 27 A",1,1,1,1,1,1,1,1,,,,,,,,,,,,,  
8,2,,172141-72250,, "U-NUT M27",1,1,1,1,1,1,1,1,,,,,,,,,,,,,  
9,2,,172142-72950,, "SEAL SET, PISTON",1,1,1,1,1,1,1,1,,,,,,,,,,,,,  
12,2,,172142-72260,, "WASHER 80 B",1,1,1,1,1,1,1,1,,,,,,,,,,,,,  
13,2,,772142-72580,, "TUBE W/BUSH, BLADE",1,1,1,1,1,1,1,1,,,,,,,,,,,,,  
15,3,,172142-72850,, "BUSH 40 50 C",1,1,1,1,1,1,1,1,,,,,,,,,,,,,  
16,2,,772142-72620,, "ROD W/BUSH, ROD",1,1,1,1,1,1,1,1,,,,,,,,,,,,,  
18,3,,172142-72850,, "BUSH 40 50 C",1,1,1,1,1,1,1,1,,,,,,,,,,,,,  
19,2,,172142-72640,, "HEAD 80 40 W/BUSH",1,1,1,1,1,1,1,1,,,,,,,,,,,,,  
21,3,,933135-14600,, "BUSH 40 30, ROD",1,1,1,1,1,1,1,1,,,,,,,,,,,,,  
22,2,,172142-72661,, "PISTON 80 27 C",1,1,1,1,1,1,1,1,,,,,,,,,,,,,  
23,2,,933111-26600,, "RING 55, SPRING",1,1,1,1,1,1,1,1,,,,,,,,,,,,,

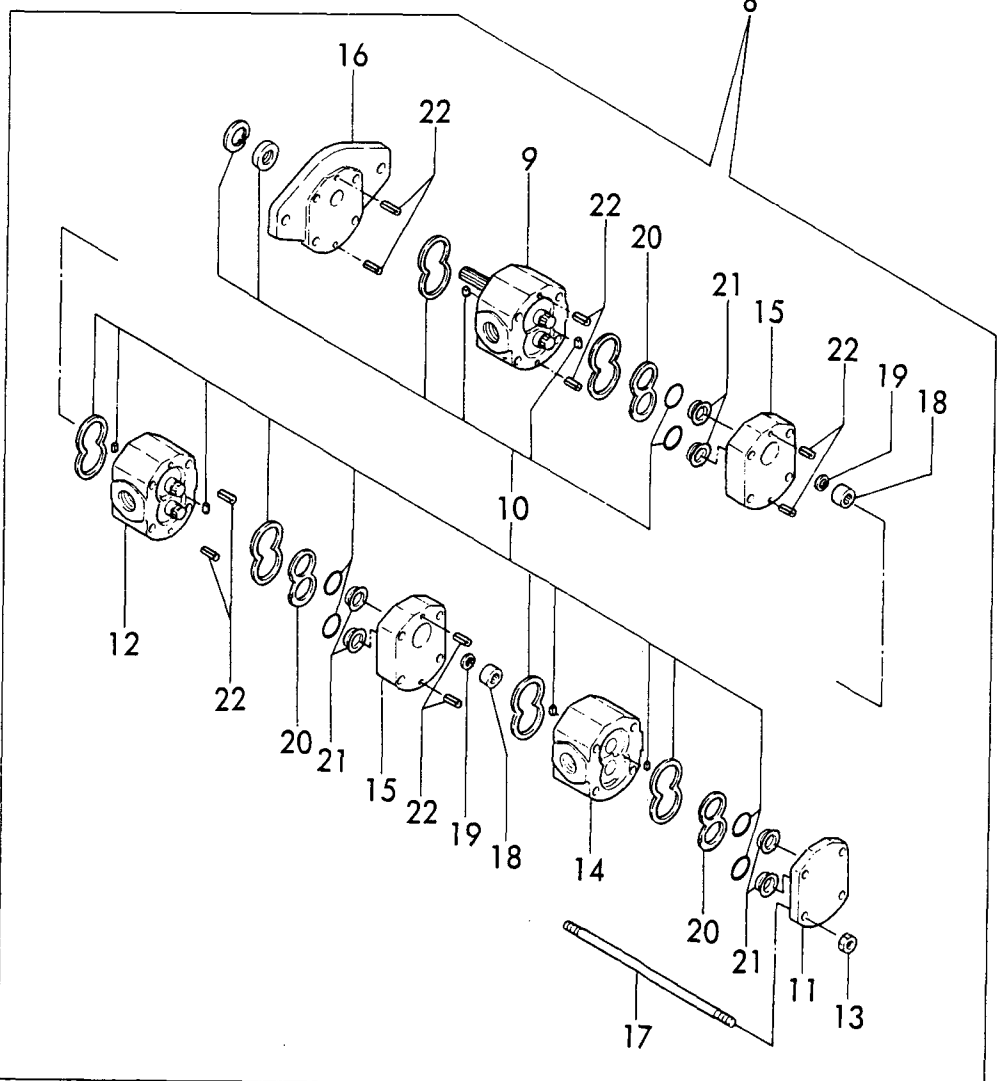
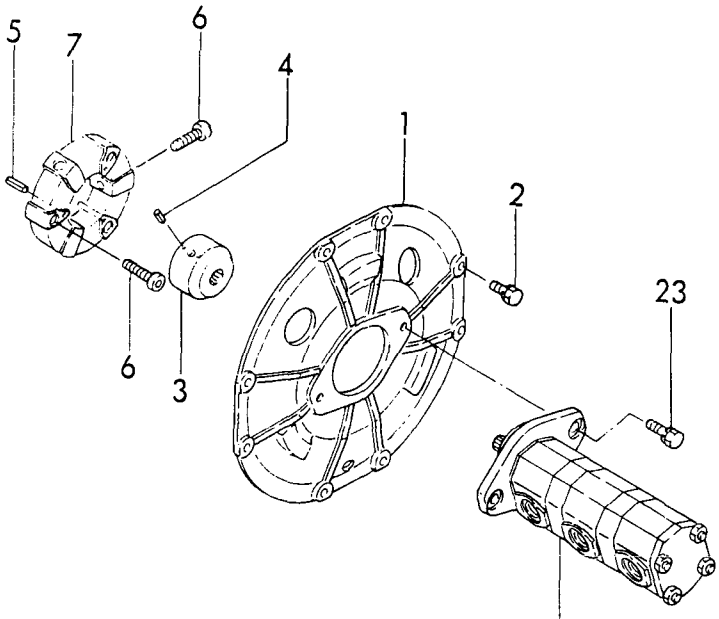


Fig. 40 ブレードシリンダ  
BLADE CYLINDER



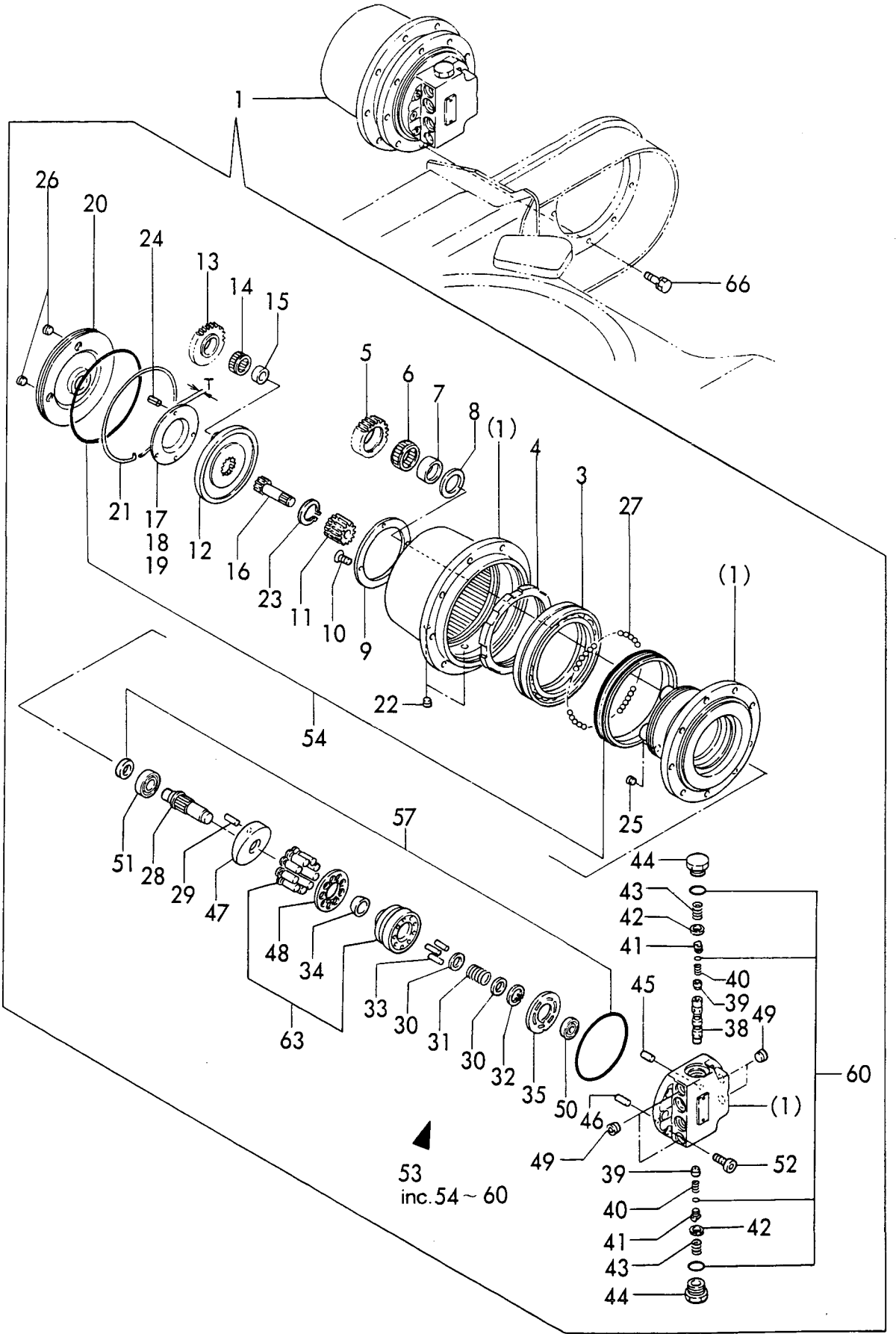
1,1,,172142-71200,, "MOUNT, PUMP",1,1,1,1,1,1,,,,,,,,,,,,,  
2,1,,26013-100302,, "BOLT M10X 30",8,8,8,8,8,8,,,,,,,,,,,,,  
3,1,,172141-71210,, "COUPLING, PUMP",1,1,1,1,1,1,,,,,,,,,,,,,  
4,1,,22351-050010,, "SPRING PIN 5X10",6,6,6,6,6,6,,,,,,,,,,,,,  
5,1,,22351-050025,, "SPRING PIN 5X25",3,3,3,3,3,3,,,,,,,,,,,,,  
6,1,,26450-120402,, "BOLT M12X 40",6,6,6,6,6,6,,,,,,,,,,,,,  
7,1,,933171-23101,, "COUPLING CF16",1,1,1,1,1,1,,,,,,,,,,,,,  
8,1,,172142-73100,, "PUMP ASSY, HYDL.OIL",1,1,1,1,1,1,,,,,,,,,,,,,  
9,2,,172142-73110,, "PUMP, FRONT",1,1,1,1,1,1,,,,,,,,,,,,,  
10,2,,172141-73140,, "SEAL SET",1,1,1,1,1,1,,,,,,,,,,,,,  
11,2,,172141-73150,, "COVER, REAR",1,1,1,1,1,1,,,,,,,,,,,,,  
12,2,,172142-73150,, "PUMP, CENTER",1,1,1,1,1,1,,,,,,,,,,,,,  
13,2,,172141-73160,, "NUT",4,4,4,4,4,4,,,,,,,,,,,,,  
14,2,,172142-73170,, "PUMP, REAR",1,1,1,1,1,1,,,,,,,,,,,,,  
15,2,,172141-73180,, "FRAME",2,2,2,2,2,2,,,,,,,,,,,,,  
16,2,,172141-73190,, "FRAME",1,1,1,1,1,1,,,,,,,,,,,,,  
17,2,,172142-73190,, "STUD",4,4,4,4,4,4,,,,,,,,,,,,,  
18,2,,172141-73200,, "COUPLING",2,2,2,2,2,2,,,,,,,,,,,,,  
19,2,,172141-73210,, "CIRCLIP",2,2,2,2,2,2,,,,,,,,,,,,,  
20,2,,172141-73220,, "PLATE",3,3,3,3,3,3,,,,,,,,,,,,,  
21,2,,172141-73230,, "GUIDE",6,6,6,6,6,6,,,,,,,,,,,,,  
22,2,,172141-73240,, "PIN, PARALLEL",10,10,10,10,10,10,,,,,,,,,,,,,  
23,1,,26013-120352,, "BOLT M12X 35",2,2,2,2,2,2,,,,,,,,,,,,,

Fig. 41 ポンプ & ジクツギテ  
HYD. OIL PUMP & JOINT



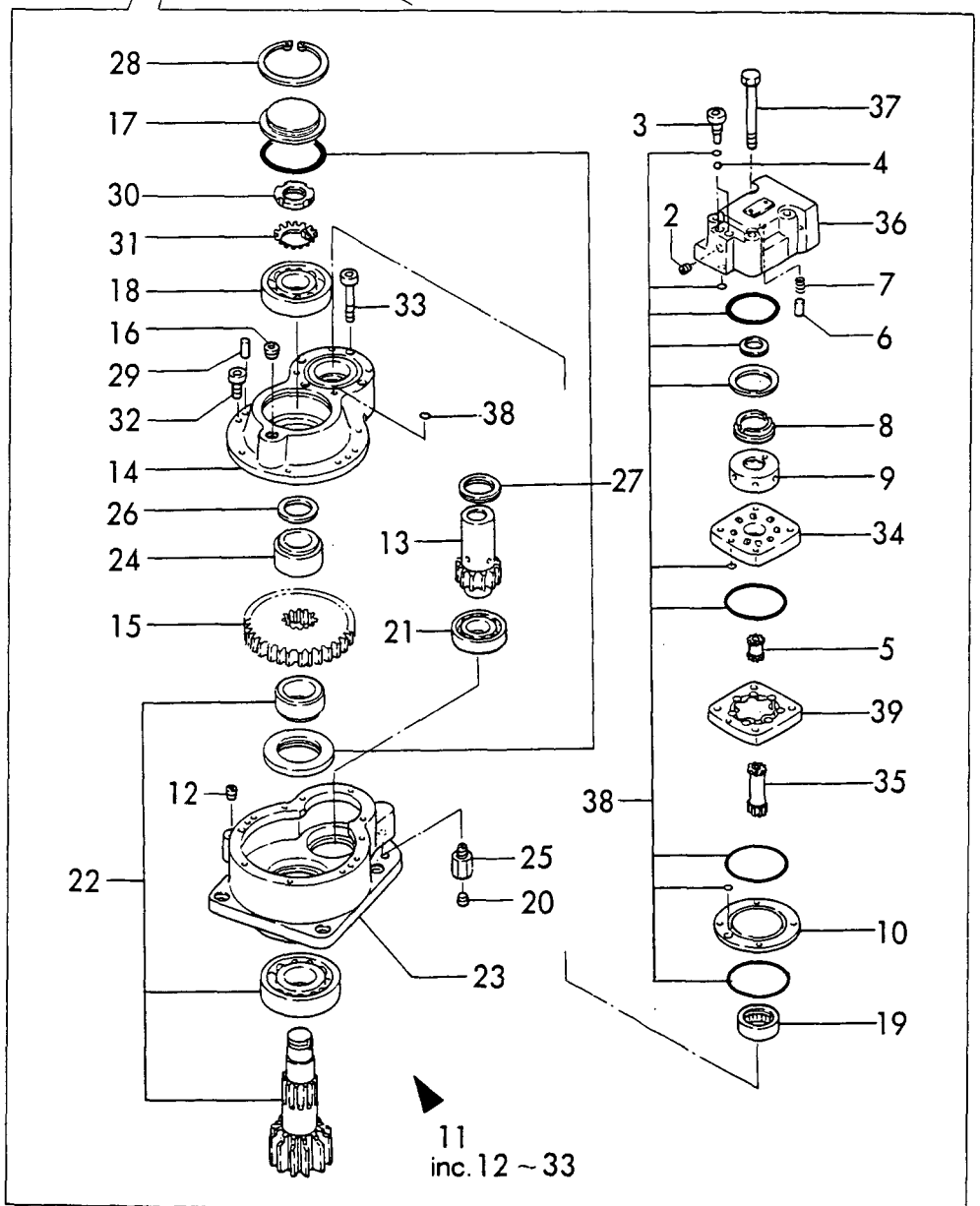
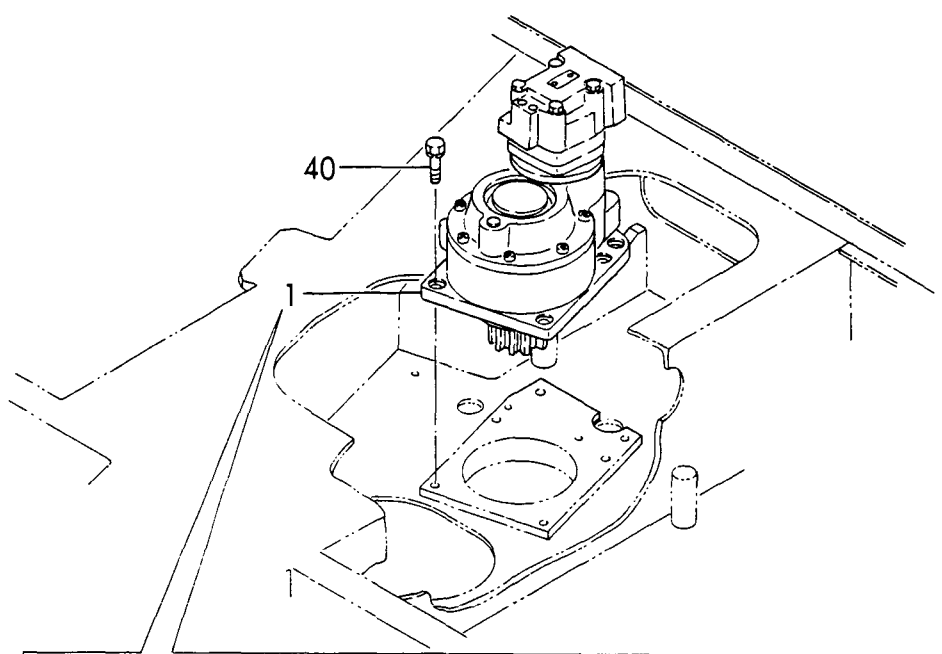
1,1,,172142-73300,, "MOTOR ASSY, DRIVING",2,2,2,2,2,2,,,,,,,,,,,,,  
3,2,,172141-70030,, "BEARING, ANGULAR",2,2,2,2,2,2,,,,,,,,,,,,,  
4,2,,172141-70040,, "NUT, RING",2,2,2,2,2,2,,,,,,,,,,,,,  
5,2,,172141-70060,, "GEAR(B), PLANETARY",8,8,8,8,8,8,,,,,,,,,,,,,  
6,2,,172141-70070,, "CAGE & ROLLER",8,8,8,8,8,8,,,,,,,,,,,,,  
7,2,,172141-70080,, "COLLAR",8,8,8,8,8,8,,,,,,,,,,,,,  
8,2,,172141-70090,, "WASHER, THRUST",8,8,8,8,8,8,,,,,,,,,,,,,  
9,2,,172141-70100,, "PLATE, THRUST",2,2,2,2,2,2,,,,,,,,,,,,,  
10,2,,172141-70110,, "SCREW",8,8,8,8,8,8,,,,,,,,,,,,,  
11,2,,172141-70120,, "GEAR, SUN",2,2,2,2,2,2,,,,,,,,,,,,,  
12,2,,172141-70130,, "HOLDER",2,2,2,2,2,2,,,,,,,,,,,,,  
13,2,,172141-70140,, "GEAR(A), PLANETARY",6,6,6,6,6,6,,,,,,,,,,,,,  
14,2,,172141-70150,, "CAGE & ROLLER",6,6,6,6,6,6,,,,,,,,,,,,,  
15,2,,172141-70160,, "INNER LACE",6,6,6,6,6,6,,,,,,,,,,,,,  
16,2,,172141-70170,, "GEAR, DRIVE",2,2,2,2,2,2,,,,,,,,,,,,,  
17,2,,172141-70180,, "PLATE(T1.8), THRUST",2,2,2,2,2,2,1,,,,,,,,,,,,,  
18,2,,172141-70190,, "PLATE(T2.3), THRUST",2,2,2,2,2,2,1,,,,,,,,,,,,,  
19,2,,172141-70200,, "PLATE(T2.8), THRUST",2,2,2,2,2,2,1,,,,,,,,,,,,,  
20,2,,172141-70210,, "COVER",2,2,2,2,2,2,,,,,,,,,,,,,  
21,2,,172141-70230,, "WIRE",2,2,2,2,2,2,,,,,,,,,,,,,  
22,2,,172122-73430,, "PLUG",4,4,4,4,4,4,,,,,,,,,,,,,  
23,2,,22242-000350,, "CIRCLIP 35",2,2,2,2,2,2,,,,,,,,,,,,,  
24,2,,22351-050016,, "SPRING PIN 5X16",6,6,6,6,6,6,,,,,,,,,,,,,  
25,2,,23871-020000,, "PLUG PT1/4, SCREW",4,4,4,4,4,4,,,,,,,,,,,,,  
26,2,,23871-030000,, "PLUG PT3/8, SCREW",4,4,4,4,4,4,,,,,,,,,,,,,  
27,2,,24190-050001,, "BALL 5/32",262,262,262,262,262,262,,,,,,,,,,,,,  
28,2,,172141-70240,, "SHAFT",2,2,2,2,2,2,,,,,,,,,,,,,  
29,2,,172141-70270,, "PIN",2,2,2,2,2,2,,,,,,,,,,,,,  
30,2,,172141-70290,, "HOLDER, SPRING",4,4,4,4,4,4,,,,,,,,,,,,,  
31,2,,172141-70300,, "SPRING",2,2,2,2,2,2,,,,,,,,,,,,,  
32,2,,172141-70310,, "SNAP RING",2,2,2,2,2,2,,,,,,,,,,,,,  
33,2,,172141-70320,, "PIN",6,6,6,6,6,6,,,,,,,,,,,,,  
34,2,,172141-70330,, "HOLDER, RETAINER",2,2,2,2,2,2,,,,,,,,,,,,,  
35,2,,172141-70360,, "PLATE, VALVE",2,2,2,2,2,2,,,,,,,,,,,,,  
38,2,,172141-70400,, "PLUNGER",2,2,2,2,2,2,,,,,,,,,,,,,  
39,2,,172141-70410,, "VALVE, CHECK",4,4,4,4,4,4,,,,,,,,,,,,,  
40,2,,172141-70420,, "SPRING",4,4,4,4,4,4,,,,,,,,,,,,,  
41,2,,172141-70430,, "PLUG",4,4,4,4,4,4,,,,,,,,,,,,,  
42,2,,172141-70450,, "SEAT, SPRING",4,4,4,4,4,4,,,,,,,,,,,,,  
43,2,,172141-70460,, "SPRING",4,4,4,4,4,4,,,,,,,,,,,,,  
44,2,,172141-70470,, "CAP",4,4,4,4,4,4,,,,,,,,,,,,,  
45,2,,172141-70480,, "PIN",2,2,2,2,2,2,,,,,,,,,,,,,  
46,2,,172141-70490,, "PIN",4,4,4,4,4,4,,,,,,,,,,,,,  
47,2,,172142-73600,, "PLATE",2,2,2,2,2,2,,,,,,,,,,,,,  
48,2,,172142-73610,, "PLATE, RETAINER",2,2,2,2,2,2,,,,,,,,,,,,,  
49,2,,23871-020000,, "PLUG PT1/4, SCREW",8,8,8,8,8,8,,,,,,,,,,,,,  
50,2,,24101-060024,, "BALL BEARING",2,2,2,2,2,2,,,,,,,,,,,,,  
51,2,,24101-060044,, "BALL BEARING 6004",2,2,2,2,2,2,,,,,,,,,,,,,  
52,2,,26450-080202,, "BOLT M 8X 20",12,12,12,12,12,12,,,,,,,,,,,,,  
53,2,,172141-70500,, "SEAL ASSY",2,2,2,2,2,2,,,,,,,,,,,,,  
54,3,,172141-70510,, "SEAL SET, REDUCTION",2,2,2,2,2,2,,,,,,,,,,,,,  
57,3,,172141-70520,, "SEAL SET, MOTOR",2,2,2,2,2,2,,,,,,,,,,,,,  
60,3,,172141-70530,, "SEAL SET, BASE PLATE",2,2,2,2,2,2,,,,,,,,,,,,,  
63,2,,172141-70540,, "CYLINDER BLOCK S/A",2,2,2,2,2,2,,,,,,,,,,,,,  
66,1,,26013-120302,, "BOLT W/WASHER M12X30",18,18,18,18,18,18,,,,,,,,,,,,,

Fig. 42 ソウコウモータ DRIVING MOTOR



1,1,,172142-73311,, "MOTOR, SWING",1,1,1,1,1,1,,,,,,,,,,,,,  
2,2,,172137-70490,, PLUG,1,1,1,1,1,1,,,,,,,,,,,,,  
3,2,,172137-70520,, PLUG,2,2,2,2,2,2,,,,,,,,,,,,,  
4,2,,172137-70530,, BALL,2,2,2,2,2,2,,,,,,,,,,,,,  
5,2,,172137-70540,, "DRIVE, VALVE",1,1,1,1,1,1,,,,,,,,,,,,,  
6,2,,172137-70570,, PIN,2,2,2,2,2,2,,,,,,,,,,,,,  
7,2,,172137-70580,, SPRING,2,2,2,2,2,2,,,,,,,,,,,,,  
8,2,,172137-70590,, PLATE,1,1,1,1,1,1,,,,,,,,,,,,,  
9,2,,172137-70600,, VALVE,1,1,1,1,1,1,,,,,,,,,,,,,  
10,2,,172137-70620,, "PLATE, SPACER",1,1,1,1,1,1,,,,,,,,,,,,,  
11,2,,172148-73320,, "REDUCTION GEAR ASSY",1,1,1,1,1,1,,,,,,,,,,,,,  
12,3,,172142-73330,, PLUG,1,1,1,1,1,1,,,,,,,,,,,,,  
13,3,,172148-73330,, "GEAR, INPUT",1,1,1,1,1,1,,,,,,,,,,,,,  
14,3,,172142-73340,, COVER,1,1,1,1,1,1,,,,,,,,,,,,,  
15,3,,172148-73340,, "GEAR, OUTPUT",1,1,1,1,1,1,,,,,,,,,,,,,  
16,3,,172142-73350,, PLUG,1,1,1,1,1,1,,,,,,,,,,,,,  
17,3,,172142-73360,, RETAINER,1,1,1,1,1,1,,,,,,,,,,,,,  
18,3,,172142-73370,, BEARING,1,1,1,1,1,1,,,,,,,,,,,,,  
19,3,,172142-73380,, "BEARING, NEEDLE",1,1,1,1,1,1,,,,,,,,,,,,,  
20,3,,172142-73400,, PLUG,1,1,1,1,1,1,,,,,,,,,,,,,  
21,3,,172142-73410,, BEARING,1,1,1,1,1,1,,,,,,,,,,,,,  
22,3,,172142-73420,, "SHAFT ASSY, PINION",1,1,1,1,1,1,,,,,,,,,,,,,  
23,3,,172142-73431,, "CASE, GEAR",1,1,1,1,1,1,,,,,,,,,,,,,  
24,3,,172142-73450,, SPACER,1,1,1,1,1,1,,,,,,,,,,,,,  
25,3,,172142-73460,, SOCKET,1,1,1,1,1,1,,,,,,,,,,,,,  
26,3,,172142-73470,, SHIM,1,1,1,1,1,1,,,,,,,,,,,,,  
27,3,,172142-73520,, "SEAL SET",1,1,1,1,1,1,,,,,,,,,,,,,  
28,3,,22252-000900,, "CIRCLIP 90",1,1,1,1,1,1,,,,,,,,,,,,,  
29,3,,22312-080280,, "PARALLEL PIN 8X28",2,2,2,2,2,2,,,,,,,,,,,,,  
30,3,,24217-040002,, "LOCK NUT M40",1,1,1,1,1,1,,,,,,,,,,,,,  
31,3,,24237-040000,, "WASHER 40",1,1,1,1,1,1,,,,,,,,,,,,,  
32,3,,26450-080252,, "BOLT M 8X 25",6,6,6,6,6,6,,,,,,,,,,,,,  
33,3,,26450-080502,, "BOLT M8X 50",3,3,3,3,3,3,,,,,,,,,,,,,  
34,2,,172148-73350,, "PLATE, VALVE",1,1,1,1,1,1,,,,,,,,,,,,,  
35,2,,172148-73361,, DRIVE,1,1,1,1,1,1,,,,,,,,,,,,,  
36,2,,172142-73500,, "HOUSING, VALVE",1,1,1,1,1,1,,,,,,,,,,,,,  
37,2,,172142-73511,, BOLT,4,4,4,4,4,4,,,,,,,,,,,,,  
38,2,,172142-73531,, "SEAL SET",1,1,1,1,1,1,,,,,,,,,,,,,  
39,2,,172142-73550,, ROLLER,1,1,1,1,1,1,,,,,,,,,,,,,  
40,1,,26013-120452,, "BOLT M12X 45",6,6,6,6,6,6,,,,,,,,,,,,,

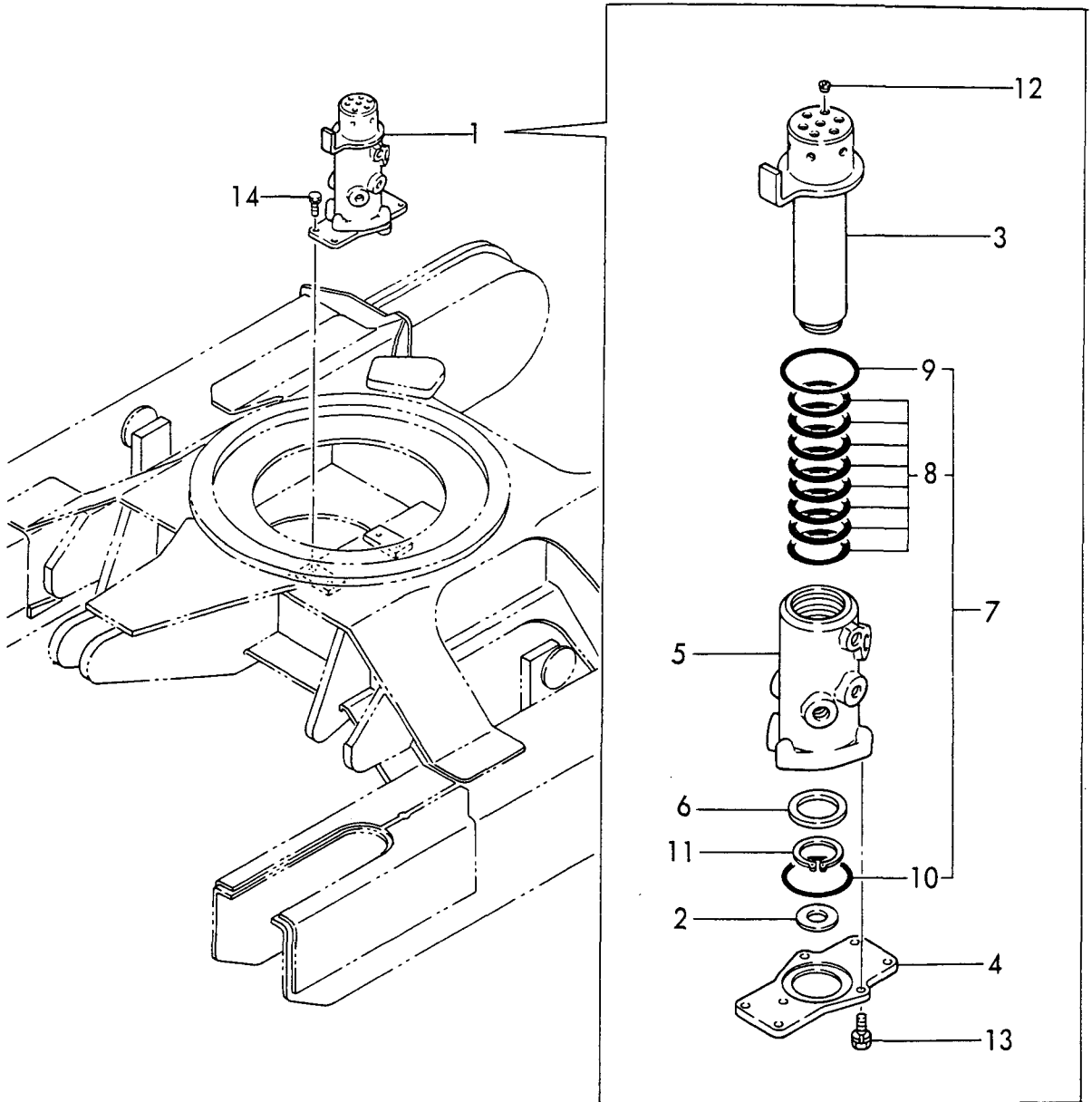
Fig. 43 センカイモーター  
TURNING MOTOR



1,1,,172141-73800,, "JOINT, SWIVEL",1,1,1,1,1,1,,,,,,,,,,,,,  
2,2,,194630-31910,, "LINER 22.5X40X2",1,1,1,1,1,1,,,,,,,,,,,,,  
3,2,,172141-73810,, "SHAFT, SWIVEL",1,1,1,1,1,1,,,,,,,,,,,,,  
4,2,,172131-73830,, "FLANGE, SWIVEL",1,1,1,1,1,1,,,,,,,,,,,,,  
5,2,,172141-73830,, "HUB, SWIVEL",1,1,1,1,1,1,,,,,,,,,,,,,  
6,2,,172137-73860,, "SPACER, SWIVEL",1,1,1,1,1,1,,,,,,,,,,,,,  
7,2,,172141-73890,, "SEAL SET, SWIVEL",1,1,1,1,1,1,,,,,,,,,,,,,  
8,3,,172142-73800,, "O-RING 55.76X5.7",8,8,8,8,8,8,,,,,,,,,,,,,  
9,3,,24311-000750,, "O-RING 1A P-75.0",1,1,1,1,1,1,,,,,,,,,,,,,  
10,3,,24321-000700,, "O-RING 1A G70",1,1,1,1,1,1,,,,,,,,,,,,,  
11,2,,22242-000451,, "CIRCLIP 45",1,1,1,1,1,1,,,,,,,,,,,,,  
12,2,,23871-020000,, "PLUG PT1/4, SCREW",6,6,6,6,6,6,,,,,,,,,,,,,  
13,2,,26013-100252,, "BOLT M10X 25",3,3,3,3,3,3,,,,,,,,,,,,,  
14,1,,26013-100302,, "BOLT M10X 30",4,4,4,4,4,4,,,,,,,,,,,,,

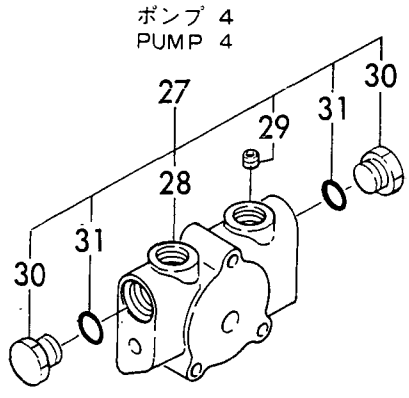
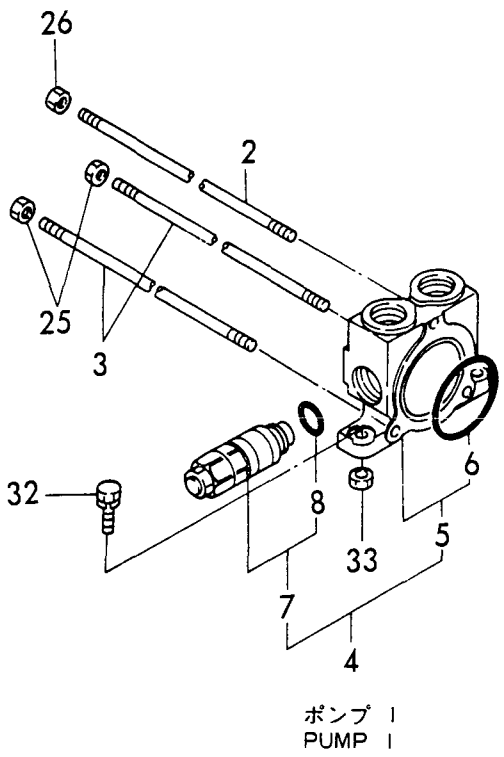


Fig. **44** スイベルジョイント  
SWIVEL JOINT



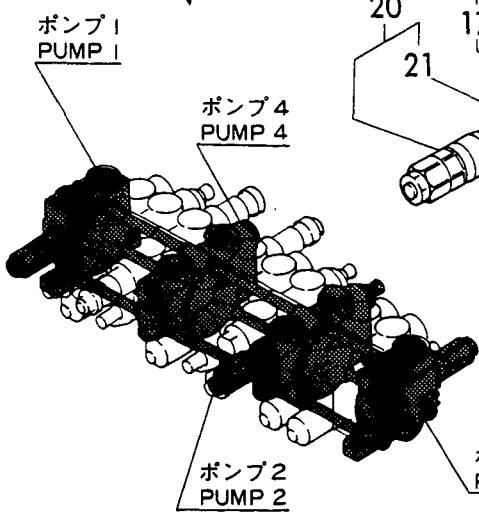
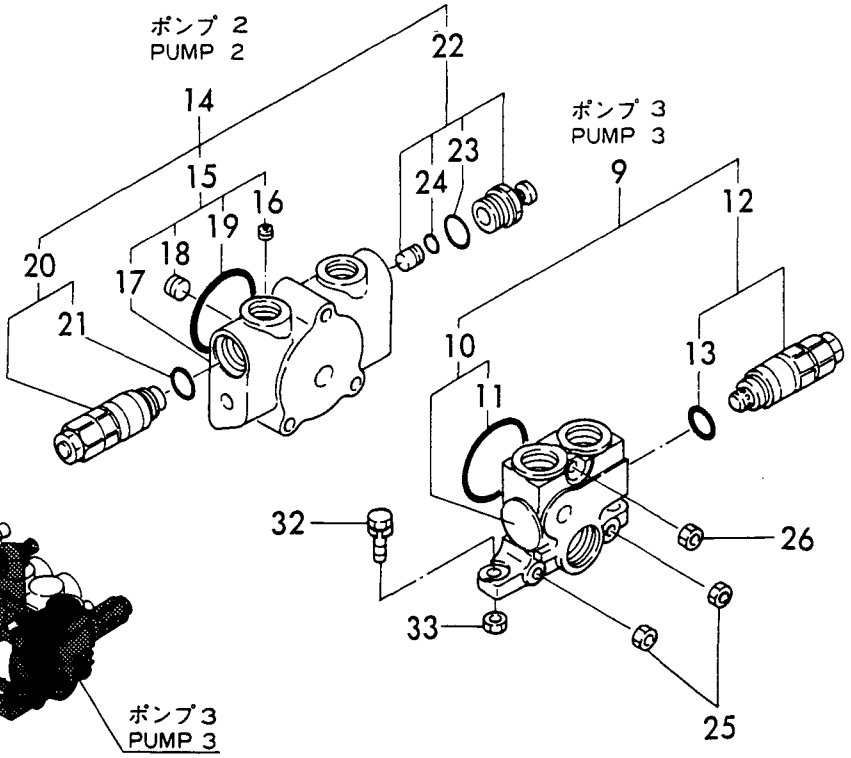
1,1,,172142-74120,, "VALVE ASSY, CONTROL",1,1,1,1,1,1,,,,,,,,,,,,,  
2,2,,172142-74810,, TIE-ROD,1,1,1,1,1,1,,,,,,,,,,,,,  
3,2,,172142-74800,, TIE-ROD,2,2,2,2,2,2,,,,,,,,,,,,,  
4,2,,172142-74930,, "SECTION ASSY, INLET",1,1,1,1,1,1,,,,,,,,,,,,,  
5,3,,172116-74160,, "SECTION, INLET",1,1,1,1,1,1,,,,,,,,,,,,,  
6,4,,933171-80590,, O-RING,1,1,1,1,1,1,,,,,,,,,,,,,  
7,3,,172142-74920,, "VALVE, RELIEF",1,1,1,1,1,1,,,,,,,,,,,,,  
8,4,,172116-74150,, O-RING,1,1,1,1,1,1,,,,,,,,,,,,,  
9,2,,172142-74820,, "SECTION, INLET",1,1,1,1,1,1,,,,,,,,,,,,,  
10,3,,172116-74160,, "SECTION, INLET",1,1,1,1,1,1,,,,,,,,,,,,,  
11,4,,933171-80590,, O-RING,1,1,1,1,1,1,,,,,,,,,,,,,  
12,3,,172142-74890,, "VALVE, RELIEF",1,1,1,1,1,1,,,,,,,,,,,,,  
13,4,,172116-74150,, O-RING,1,1,1,1,1,1,,,,,,,,,,,,,  
14,2,,172142-74790,, "SPACER KIT",1,1,1,1,1,1,,,,,,,,,,,,,  
15,3,,172146-74680,, "SECTION ASSY, SPACER",1,1,1,1,1,1,,,,,,,,,,,,,  
16,4,,172122-73430,, PLUG,1,1,1,1,1,1,,,,,,,,,,,,,  
17,4,,172146-74750,, SPACER,1,1,1,1,1,1,,,,,,,,,,,,,  
18,4,,23871-030000,, "PLUG PT3/8, SCREW",1,1,1,1,1,1,,,,,,,,,,,,,  
19,4,,933171-80590,, O-RING,1,1,1,1,1,1,,,,,,,,,,,,,  
20,3,,172142-74920,, "VALVE, RELIEF",1,1,1,1,1,1,,,,,,,,,,,,,  
21,4,,172116-74150,, O-RING,1,1,1,1,1,1,,,,,,,,,,,,,  
22,3,,172146-74720,, "VALVE ASSY, SHUT-OFF",1,1,1,1,1,1,,,,,,,,,,,,,  
23,4,,172116-74150,, O-RING,1,1,1,1,1,1,,,,,,,,,,,,,  
24,4,,24311-240100,, "O-RING 1A P-10A",1,1,1,1,1,1,,,,,,,,,,,,,  
25,2,,26716-080002,, "NUT M 8",4,4,4,4,4,4,,,,,,,,,,,,,  
26,2,,26716-100002,, "NUT M10",2,2,2,2,2,2,,,,,,,,,,,,,  
27,2,,172142-74880,, "SECTION, SPACER",1,1,1,1,1,1,,,,,,,,,,,,,  
28,3,,172142-74900,, SPACER,1,1,1,1,1,1,,,,,,,,,,,,,  
29,3,,172122-73430,, PLUG,1,1,1,1,1,1,,,,,,,,,,,,,  
30,3,,172116-74320,, PLUG,2,2,2,2,2,2,,,,,,,,,,,,,  
31,3,,172116-74150,, O-RING,2,2,2,2,2,2,,,,,,,,,,,,,  
32,1,,26013-100302,, "BOLT M10X 30",3,3,3,3,3,3,,,,,,,,,,,,,  
33,1,,26716-100002,, "NUT M10",2,2,2,2,2,2,,,,,,,,,,,,,

Fig. 45 コントロールバルブ (Pポート)  
CONTROL VALVE (P PORT)



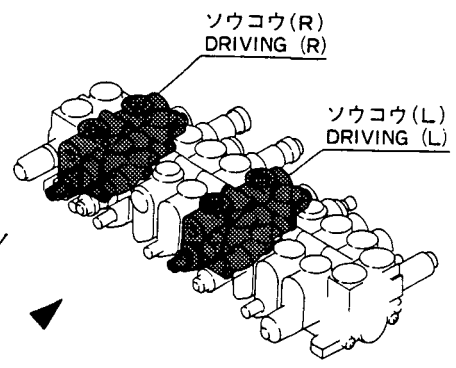
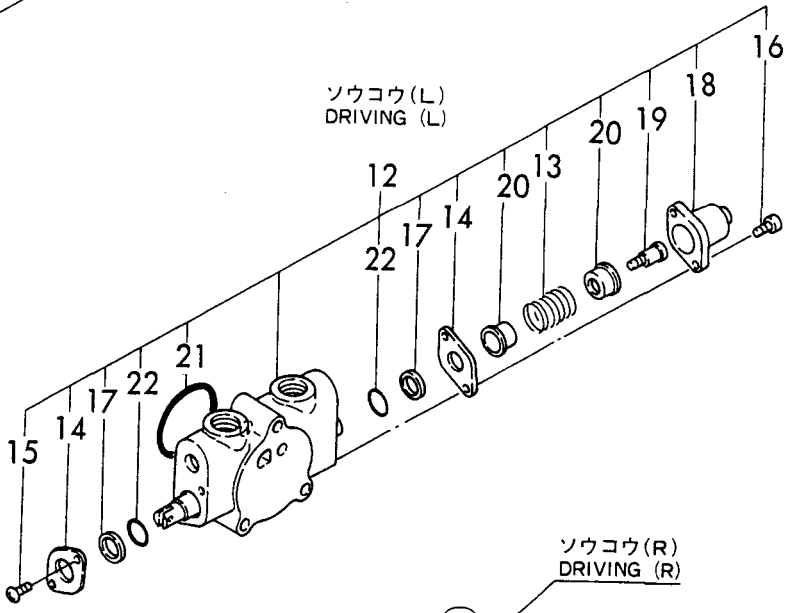
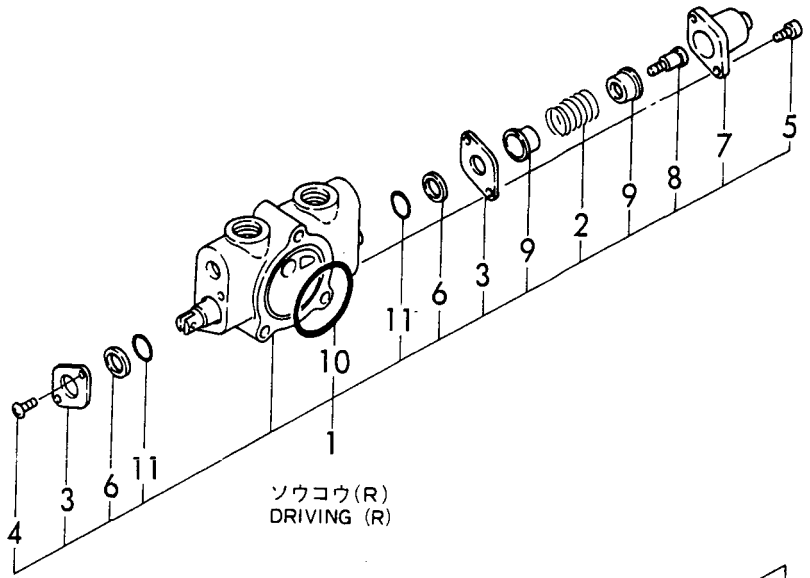
コントロールバルブ ASSY  
CONTROL VALVE ASSY  
(172142-74120)

- Fig.45 Ref.No.1
- INC Fig.45 Ref.No.2~31
- Fig.46 Ref.No.1~22
- Fig.47 Ref.No.1~38
- Fig.48 Ref.No.1~35
- Fig.49 Ref.No.1~27



1,2,,172124-74180,, "SECTION ASSY, SPOOL",1,1,1,1,1,1,,,,,,,,,,,,,  
2,3,,172122-74050,, SPRING,1,1,1,1,1,1,,,,,,,,,,,,,  
3,3,,172116-74190,, "PLATE, SEAL",2,2,2,2,2,2,,,,,,,,,,,,,  
4,3,,172116-74220,, SCREW,2,2,2,2,2,2,,,,,,,,,,,,,  
5,3,,172116-74230,, "HEAD BOLT, SOCKET",2,2,2,2,2,2,,,,,,,,,,,,,  
6,3,,933166-80520,, WIPER,2,2,2,2,2,2,,,,,,,,,,,,,  
7,3,,933166-80530,, CAP,1,1,1,1,1,1,,,,,,,,,,,,,  
8,3,,933166-80550,, "SCREW, CAP",1,1,1,1,1,1,,,,,,,,,,,,,  
9,3,,933171-80510,, "SEAT, SPRING",2,2,2,2,2,2,,,,,,,,,,,,,  
10,3,,933171-80590,, O-RING,1,1,1,1,1,1,,,,,,,,,,,,,  
11,3,,933171-80610,, O-RING,2,2,2,2,2,2,,,,,,,,,,,,,  
12,2,,172146-74630,, "SECTION ASSY, SPOOL",1,1,1,1,1,1,,,,,,,,,,,,,  
13,3,,172122-74050,, SPRING,1,1,1,1,1,1,,,,,,,,,,,,,  
14,3,,172116-74190,, "PLATE, SEAL",2,2,2,2,2,2,,,,,,,,,,,,,  
15,3,,172116-74220,, SCREW,2,2,2,2,2,2,,,,,,,,,,,,,  
16,3,,172116-74230,, "HEAD BOLT, SOCKET",2,2,2,2,2,2,,,,,,,,,,,,,  
17,3,,933166-80520,, WIPER,2,2,2,2,2,2,,,,,,,,,,,,,  
18,3,,933166-80530,, CAP,1,1,1,1,1,1,,,,,,,,,,,,,  
19,3,,933166-80550,, "SCREW, CAP",1,1,1,1,1,1,,,,,,,,,,,,,  
20,3,,933171-80510,, "SEAT, SPRING",2,2,2,2,2,2,,,,,,,,,,,,,  
21,3,,933171-80590,, O-RING,1,1,1,1,1,1,,,,,,,,,,,,,  
22,3,,933171-80610,, O-RING,2,2,2,2,2,2,,,,,,,,,,,,,

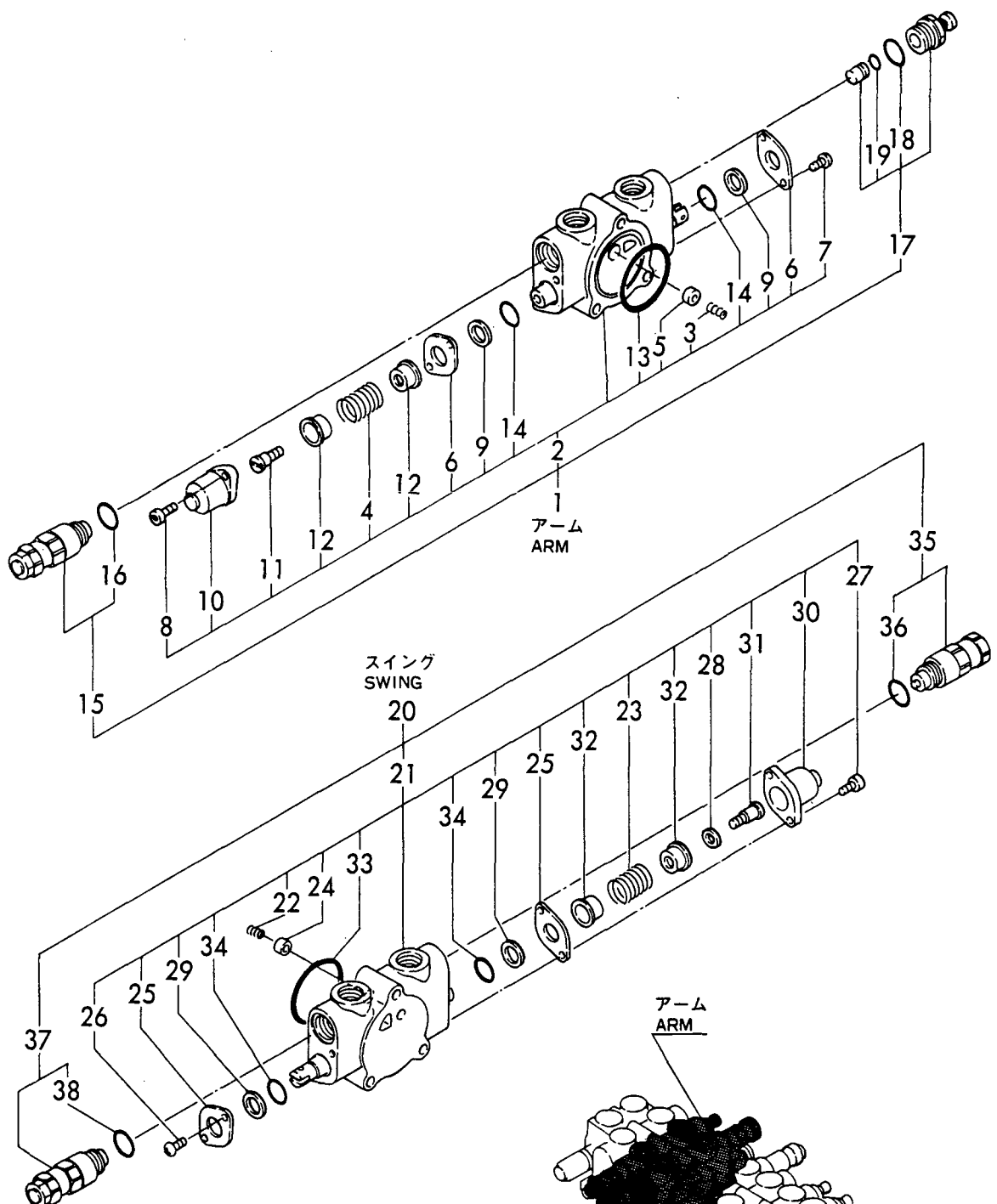
# Fig. 46 コントロールバルブ(ソウコウ) CONTROL VALVE (DRIVE)



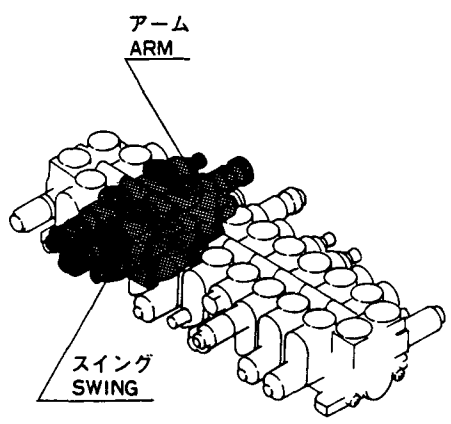
コントロールバルブ ASSY  
CONTROL VALVE ASSY  
(172142-74120)  
Fig.45 Ref.No.1  
INC Fig.45 Ref.No.2~31  
Fig.46 Ref.No.1~22  
Fig.47 Ref.No.1~38  
Fig.48 Ref.No.1~35  
Fig.49 Ref.No.1~27

1,2,,172142-74760,, "SECTION KIT, SPOOL",1,1,1,1,1,1,,,,,,,,,,,,,  
2,3,,172142-74720,, "SECTION, SPOOL",1,1,1,1,1,1,,,,,,,,,,,,,  
3,4,,172112-06330,, "SPRING,CONTROL VALVE",1,1,1,1,1,1,,,,,,,,,,,,,  
4,4,,172122-74050,, SPRING,1,1,1,1,1,1,,,,,,,,,,,,,  
5,4,,172122-74130,, POPPET,1,1,1,1,1,1,,,,,,,,,,,,,  
6,4,,172116-74190,, "PLATE, SEAL",2,2,2,2,2,2,,,,,,,,,,,,,  
7,4,,172116-74220,, SCREW,2,2,2,2,2,2,,,,,,,,,,,,,  
8,4,,172116-74230,, "HEAD BOLT, SOCKET",2,2,2,2,2,2,,,,,,,,,,,,,  
9,4,,933166-80520,, WIPER,2,2,2,2,2,2,,,,,,,,,,,,,  
10,4,,933166-80530,, CAP,1,1,1,1,1,1,,,,,,,,,,,,,  
11,4,,933166-80550,, "SCREW, CAP",1,1,1,1,1,1,,,,,,,,,,,,,  
12,4,,933171-80510,, "SEAT, SPRING",2,2,2,2,2,2,,,,,,,,,,,,,  
13,4,,933171-80590,, O-RING,1,1,1,1,1,1,,,,,,,,,,,,,  
14,4,,933171-80610,, O-RING,2,2,2,2,2,2,,,,,,,,,,,,,  
15,3,,172142-74910,, "VALVE, RELIEF",1,1,1,1,1,1,,,,,,,,,,,,,  
16,4,,172116-74150,, O-RING,1,1,1,1,1,1,,,,,,,,,,,,,  
17,3,,172146-74720,, "VALVE ASSY, SHUT-OFF",1,1,1,1,1,1,,,,,,,,,,,,,  
18,4,,172116-74150,, O-RING,1,1,1,1,1,1,,,,,,,,,,,,,  
19,4,,24311-240100,, "O-RING 1A P-10A",1,1,1,1,1,1,,,,,,,,,,,,,  
20,2,,172142-74830,, "SECTION, SPOOL",1,1,1,1,1,1,,,,,,,,,,,,,  
21,3,,172142-74860,, "SECTION, SPOOL",1,1,1,1,1,1,,,,,,,,,,,,,  
22,4,,172112-06330,, "SPRING,CONTROL VALVE",1,1,1,1,1,1,,,,,,,,,,,,,  
23,4,,172122-74050,, SPRING,1,1,1,1,1,1,,,,,,,,,,,,,  
24,4,,172122-74130,, POPPET,1,1,1,1,1,1,,,,,,,,,,,,,  
25,4,,172116-74190,, "PLATE, SEAL",2,2,2,2,2,2,,,,,,,,,,,,,  
26,4,,172116-74220,, SCREW,2,2,2,2,2,2,,,,,,,,,,,,,  
27,4,,172116-74230,, "HEAD BOLT, SOCKET",2,2,2,2,2,2,,,,,,,,,,,,,  
28,4,,172146-74740,, WASHER,1,1,1,1,1,1,,,,,,,,,,,,,  
29,4,,933166-80520,, WIPER,2,2,2,2,2,2,,,,,,,,,,,,,  
30,4,,933166-80530,, CAP,1,1,1,1,1,1,,,,,,,,,,,,,  
31,4,,933166-80550,, "SCREW, CAP",1,1,1,1,1,1,,,,,,,,,,,,,  
32,4,,933171-80510,, "SEAT, SPRING",2,2,2,2,2,2,,,,,,,,,,,,,  
33,4,,933171-80590,, O-RING,1,1,1,1,1,1,,,,,,,,,,,,,  
34,4,,933171-80610,, O-RING,2,2,2,2,2,2,,,,,,,,,,,,,  
35,3,,172146-74730,, "VALVE ASSY",1,1,1,1,1,1,,,,,,,,,,,,,  
36,4,,172116-74150,, O-RING,1,1,1,1,1,1,,,,,,,,,,,,,  
37,3,,172142-74910,, "VALVE, RELIEF",1,1,1,1,1,1,,,,,,,,,,,,,  
38,4,,172116-74150,, O-RING,1,1,1,1,1,1,,,,,,,,,,,,,

# Fig. 47 コントロールバルブ (アーム & スイング) CONTROL VALVE (ARM & SWING)



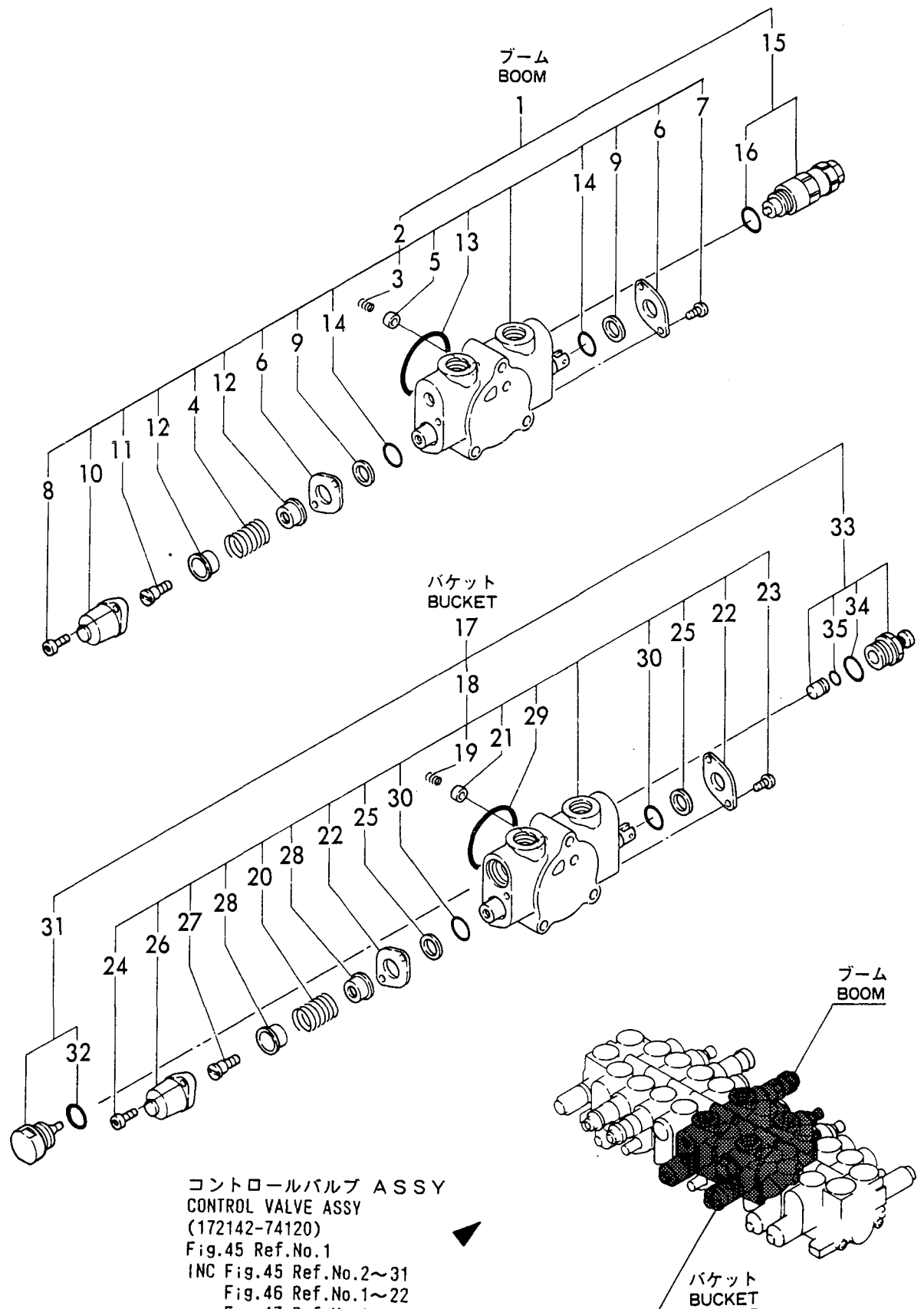
コントロールバルブ ASSY  
 CONTROL VALVE ASSY  
 (172142-74120)  
 Fig.45 Ref.No.1  
 INC Fig.45 Ref.No.2~31  
 Fig.46 Ref.No.1~22  
 Fig.47 Ref.No.1~38  
 Fig.48 Ref.No.1~35  
 Fig.49 Ref.No.1~27



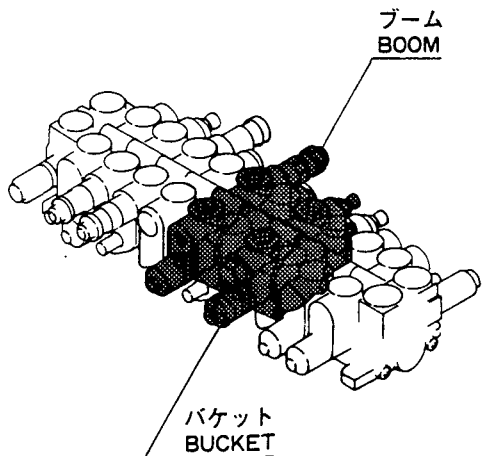
1,2,,172142-74770,, "SECTION KIT, SPOOL",1,1,1,1,1,1,,,,,,,,,,,,,  
2,3,,172142-74730,, "SECTION, SPOOL",1,1,1,1,1,1,,,,,,,,,,,,,  
3,4,,172112-06330,, "SPRING,CONTROL VALVE",1,1,1,1,1,1,,,,,,,,,,,,,  
4,4,,172122-74050,, "SPRING",1,1,1,1,1,1,,,,,,,,,,,,,  
5,4,,172122-74130,, "POPPET",1,1,1,1,1,1,,,,,,,,,,,,,  
6,4,,172116-74190,, "PLATE, SEAL",2,2,2,2,2,2,,,,,,,,,,,,,  
7,4,,172116-74220,, "SCREW",2,2,2,2,2,2,,,,,,,,,,,,,  
8,4,,172116-74230,, "HEAD BOLT, SOCKET",2,2,2,2,2,2,,,,,,,,,,,,,  
9,4,,933166-80520,, "WIPER",2,2,2,2,2,2,,,,,,,,,,,,,  
10,4,,933166-80530,, "CAP",2,2,2,2,2,2,,,,,,,,,,,,,  
11,4,,933166-80550,, "SCREW, CAP",1,1,1,1,1,1,,,,,,,,,,,,,  
12,4,,933171-80510,, "SEAT, SPRING",2,2,2,2,2,2,,,,,,,,,,,,,  
13,4,,933171-80590,, "O-RING",1,1,1,1,1,1,,,,,,,,,,,,,  
14,4,,933171-80610,, "O-RING",2,2,2,2,2,2,,,,,,,,,,,,,  
15,3,,172142-74910,, "VALVE, RELIEF",1,1,1,1,1,1,,,,,,,,,,,,,  
16,4,,172116-74150,, "O-RING",1,1,1,1,1,1,,,,,,,,,,,,,  
17,2,,172142-74780,, "SECTION KIT, SPOOL",1,1,1,1,1,1,,,,,,,,,,,,,  
18,3,,172142-74740,, "SECTION, SPOOL",1,1,1,1,1,1,,,,,,,,,,,,,  
19,4,,172112-06330,, "SPRING,CONTROL VALVE",1,1,1,1,1,1,,,,,,,,,,,,,  
20,4,,172122-74050,, "SPRING",1,1,1,1,1,1,,,,,,,,,,,,,  
21,4,,172122-74130,, "POPPET",1,1,1,1,1,1,,,,,,,,,,,,,  
22,4,,172116-74190,, "PLATE, SEAL",2,2,2,2,2,2,,,,,,,,,,,,,  
23,4,,172116-74220,, "SCREW",2,2,2,2,2,2,,,,,,,,,,,,,  
24,4,,172116-74230,, "HEAD BOLT, SOCKET",2,2,2,2,2,2,,,,,,,,,,,,,  
25,4,,933166-80520,, "WIPER",2,2,2,2,2,2,,,,,,,,,,,,,  
26,4,,933166-80530,, "CAP",1,1,1,1,1,1,,,,,,,,,,,,,  
27,4,,933166-80550,, "SCREW, CAP",1,1,1,1,1,1,,,,,,,,,,,,,  
28,4,,933171-80510,, "SEAT, SPRING",2,2,2,2,2,2,,,,,,,,,,,,,  
29,4,,933171-80590,, "O-RING",1,1,1,1,1,1,,,,,,,,,,,,,  
30,4,,933171-80610,, "O-RING",2,2,2,2,2,2,,,,,,,,,,,,,  
31,3,,172310-79180,, "VALVE",1,1,1,1,1,1,,,,,,,,,,,,,  
32,4,,172116-74150,, "O-RING",1,1,1,1,1,1,,,,,,,,,,,,,  
33,3,,172146-74720,, "VALVE ASSY, SHUT-OFF",1,1,1,1,1,1,,,,,,,,,,,,,  
34,4,,172116-74150,, "O-RING",1,1,1,1,1,1,,,,,,,,,,,,,  
35,4,,24311-240100,, "O-RING 1A P-10A",1,1,1,1,1,1,,,,,,,,,,,,,



# Fig. 48 コントロールバルブ(ブーム & バケット) CONTROL VALVE (BOOM & BUCKET)

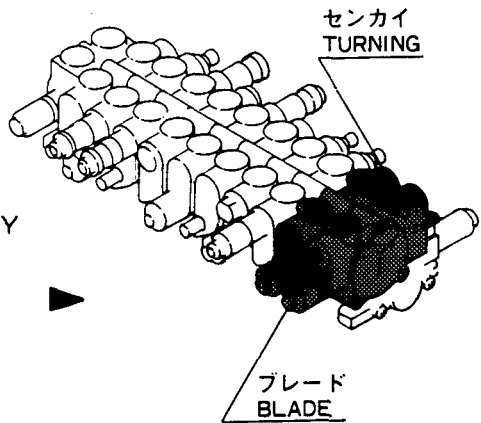
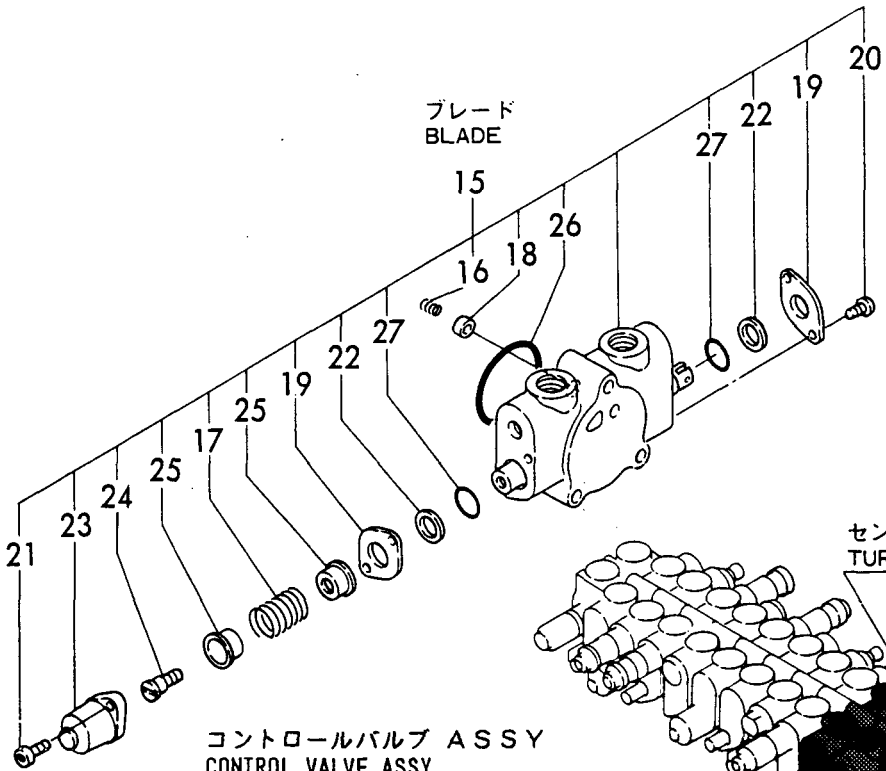
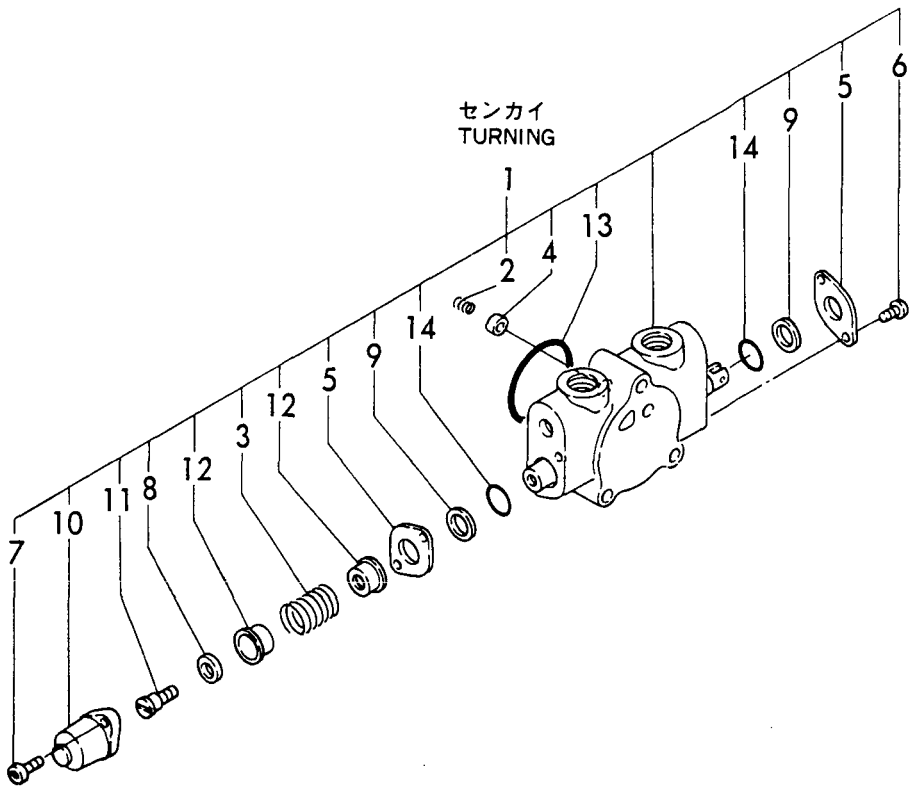


コントロールバルブ ASSY  
 CONTROL VALVE ASSY  
 (172142-74120)  
 Fig.45 Ref.No.1  
 INC Fig.45 Ref.No.2~31  
 Fig.46 Ref.No.1~22  
 Fig.47 Ref.No.1~38  
 Fig.48 Ref.No.1~35  
 Fig.49 Ref.No.1~27



1,2,,172142-74750,, "SECTION, SPOOL",1,1,1,1,1,1,,,,,,,,,,,,,  
2,3,,172112-06330,, "SPRING, CONTROL VALVE",1,1,1,1,1,1,,,,,,,,,,,,,  
3,3,,172122-74050,, SPRING,1,1,1,1,1,1,,,,,,,,,,,,,  
4,3,,172122-74130,, POPPET,1,1,1,1,1,1,,,,,,,,,,,,,  
5,3,,172116-74190,, "PLATE, SEAL",2,2,2,2,2,2,,,,,,,,,,,,,  
6,3,,172116-74220,, SCREW,2,2,2,2,2,2,,,,,,,,,,,,,  
7,3,,172116-74230,, "HEAD BOLT, SOCKET",2,2,2,2,2,2,,,,,,,,,,,,,  
8,3,,172146-74740,, WASHER,1,1,1,1,1,1,,,,,,,,,,,,,  
9,3,,933166-80520,, WIPER,2,2,2,2,2,2,,,,,,,,,,,,,  
10,3,,933166-80530,, CAP,1,1,1,1,1,1,,,,,,,,,,,,,  
11,3,,933166-80550,, "SCREW, CAP",1,1,1,1,1,1,,,,,,,,,,,,,  
12,3,,933171-80510,, "SEAT, SPRING",2,2,2,2,2,2,,,,,,,,,,,,,  
13,3,,933171-80590,, O-RING,1,1,1,1,1,1,,,,,,,,,,,,,  
14,3,,933171-80610,, O-RING,2,2,2,2,2,2,,,,,,,,,,,,,  
15,2,,172146-74670,, "SECTION ASSY, SPOOL",1,1,1,1,1,1,,,,,,,,,,,,,  
16,3,,172112-06330,, "SPRING, CONTROL VALVE",1,1,1,1,1,1,,,,,,,,,,,,,  
17,3,,172122-74050,, SPRING,1,1,1,1,1,1,,,,,,,,,,,,,  
18,3,,172122-74130,, POPPET,1,1,1,1,1,1,,,,,,,,,,,,,  
19,3,,172116-74190,, "PLATE, SEAL",2,2,2,2,2,2,,,,,,,,,,,,,  
20,3,,172116-74220,, SCREW,2,2,2,2,2,2,,,,,,,,,,,,,  
21,3,,172116-74230,, "HEAD BOLT, SOCKET",2,2,2,2,2,2,,,,,,,,,,,,,  
22,3,,933166-80520,, WIPER,2,2,2,2,2,2,,,,,,,,,,,,,  
23,3,,933166-80530,, CAP,1,1,1,1,1,1,,,,,,,,,,,,,  
24,3,,933166-80550,, "SCREW, CAP",1,1,1,1,1,1,,,,,,,,,,,,,  
25,3,,933171-80510,, "SEAT, SPRING",2,2,2,2,2,2,,,,,,,,,,,,,  
26,3,,933171-80590,, O-RING,1,1,1,1,1,1,,,,,,,,,,,,,  
27,3,,933171-80610,, O-RING,2,2,2,2,2,2,,,,,,,,,,,,,

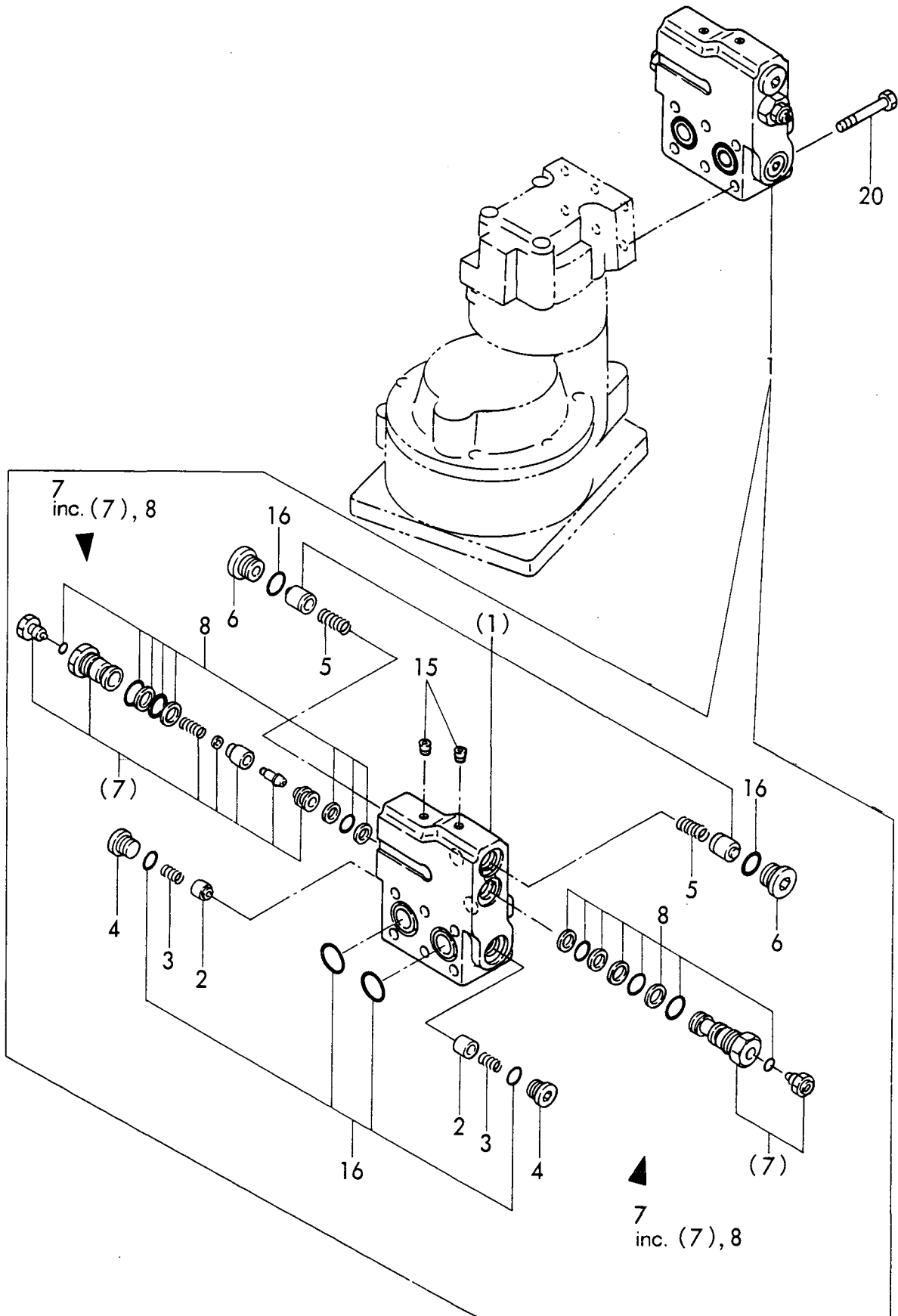
# Fig. 49 コントロールバルブ(センカイ & ブレード) CONTROL VALVE (TURNING & BLADE)



コントロールバルブ ASSY  
 CONTROL VALVE ASSY  
 (172142-74120)  
 Fig.45 Ref.No.1  
 INC Fig.45 Ref.No.2~31  
 Fig.46 Ref.No.1~22  
 Fig.47 Ref.No.1~38  
 Fig.48 Ref.No.1~35  
 Fig.49 Ref.No.1~27

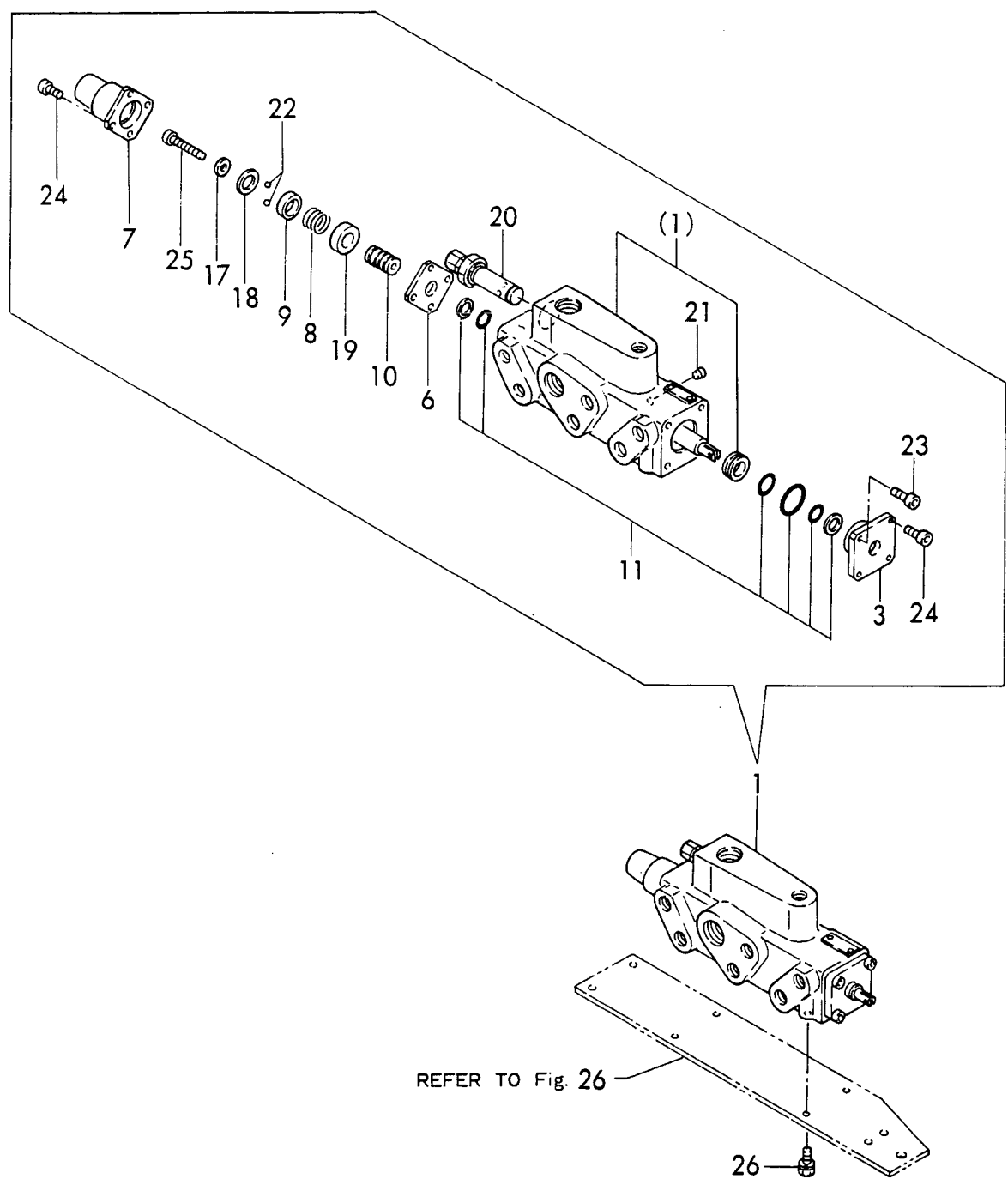
1,1,,172142-74350,, "VALVE, BRAKE CMP",1,1,1,1,1,1,,,,,,,,,,,,,  
2,2,,172148-71570,, "VALVE, CHECK",2,2,2,2,2,2,,,,,,,,,,,,,  
3,2,,172148-71580,, SPRING,2,2,2,2,2,2,,,,,,,,,,,,,  
4,2,,172147-70500,, PLUG,2,2,2,2,2,2,,,,,,,,,,,,,  
5,2,,172122-70710,, SPRING,2,2,2,2,2,2,,,,,,,,,,,,,  
6,2,,172122-70720,, PLUG,2,2,2,2,2,2,,,,,,,,,,,,,  
7,2,,172142-74360,, "VALVE ASSY, RELIEF",2,2,2,2,,,,,1,,,,,,,,,,,,,  
7-1,2,,172146-71510,, "VALVE ASSY, RELIEF",2,2,2,2,2,2,,,,,,,,,,,,,I  
8,3,,172148-71670,, "SEAL SET, RELIEF",1,1,1,1,1,1,,,,,,,,,,,,,  
15,3,,172122-73430,, PLUG,2,2,2,2,2,2,,,,,,,,,,,,,  
16,3,,172142-74370,, "REPAIR SET",1,1,1,1,1,1,,,,,,,,,,,,,  
20,1,,26116-100702,, "BOLT M10X 70 PLATED",6,6,6,6,6,6,,,,,,,,,,,,,

Fig. 50 センカイブレーキバルブ  
TURNING BRAKE VALVE



1,1,,172141-74700,, "VALVE ASSY, SELECTOR",1,1,1,1,1,1,,,,,,,,,,,,,  
3,2,,172141-74790,, "PLATE, ADAPTER",1,1,1,1,1,1,,,,,,,,,,,,,  
6,2,,172141-74820,, PLATE,1,1,1,1,1,1,,,,,,,,,,,,,  
7,2,,172141-74830,, COVER,1,1,1,1,1,1,,,,,,,,,,,,,  
8,2,,172141-74840,, SPRING,1,1,1,1,1,1,,,,,,,,,,,,,  
9,2,,172141-74850,, "RETAINER, BALL",1,1,1,1,1,1,,,,,,,,,,,,,  
10,2,,172141-74860,, "SLEEVE, DETENT",1,1,1,1,1,1,,,,,,,,,,,,,  
11,2,,172141-74870,, "SEAL KIT",1,1,1,1,1,1,,,,,,,,,,,,,  
17,2,,172141-74890,, WASHER,1,1,1,1,1,1,,,,,,,,,,,,,  
18,2,,172141-74900,, GUIDE,1,1,1,1,1,1,,,,,,,,,,,,,  
19,2,,172141-74910,, SPACER,1,1,1,1,1,1,,,,,,,,,,,,,  
20,2,,172141-74920,, "VALVE, RELIEF",1,1,1,1,1,1,,,,,,,,,,,,,  
21,2,,172141-74950,, "PLUG 1/16",3,3,3,3,3,3,,,,,,,,,,,,,  
22,2,,24190-050002,, "BALL 5/32",2,2,2,2,2,2,,,,,,,,,,,,,  
23,2,,26450-060162,, "BOLT M 6X 16",1,1,1,1,1,1,,,,,,,,,,,,,  
24,2,,26450-060202,, "BOLT M 6X 20",7,7,7,7,7,7,,,,,,,,,,,,,  
25,2,,26557-080502,, "SCREW M 8X 50",1,1,1,1,1,1,,,,,,,,,,,,,  
26,1,,26013-080202,, "BOLT W/WASHER M8X20",4,4,4,4,4,4,,,,,,,,,,,,,

Fig. 51 サードバルブ(バルブ)  
3RD VALVE (VALVE)



1,1,,772142-75101,, "RESERVOIR ASSY",1,1,1,1,1,1,,,,,,,,,,,,,  
2,2,,172141-73710,, "ROD, STRAINER",1,1,1,1,1,1,,,,,,,,,,,,,  
3,2,,172112-74801,, "STRAINER, SUCTION",1,1,1,1,1,1,,,,,,,,,,,,,  
4,2,,172112-74901,, "ELEMENT W/VALVE",1,1,1,1,1,1,,,,,,,,,,,,,  
5,3,,172112-74911,, ELEMENT,1,1,1,1,1,1,,,,,,,,,,,,,  
6,3,,172112-74971,, "VALVE, BY-PASS",1,1,1,1,1,1,,,,,,,,,,,,,  
7,2,,172112-75770,, "SPRING, STRAINER",1,1,1,1,1,1,,,,,,,,,,,,,  
8,2,,172112-75780,, "SPRING, STRAINER",1,1,1,1,1,1,,,,,,,,,,,,,  
9,2,,26716-100002,, "NUT M10",1,1,1,1,1,1,,,,,,,,,,,,,  
11,2,,172142-75260,, PIPE,1,1,1,1,1,1,,,,,,,,,,,,,  
12,2,,172122-75331,, "COVER (B), RESERVOIR",1,1,1,1,1,1,,,,,,,,,,,,,  
13,1,,172122-75450,, "COVER(A),HYD.RESERV.",1,1,1,1,1,1,,,,,,,,,,,,,  
14,2,,172122-75600,, "GAUGE, OIL LEVEL",1,1,1,1,1,1,,,,,,,,,,,,,  
16,3,,172122-75620,, BOLT,2,2,2,2,2,2,,,,,,,,,,,,,  
17,3,,172122-75630,, GASKET,4,4,4,4,4,4,,,,,,,,,,,,,  
19,2,,172116-75850,, "PLUG, OIL FEED",1,1,1,1,1,1,,,,,,,,,,,,,  
20,2,,22134-240000,, "WASHER 24",1,1,1,1,1,1,,,,,,,,,,,,,  
21,2,,22417-200160,, "COTTER PIN 2.0X16",1,1,1,1,1,1,,,,,,,,,,,,,  
22,2,,24311-000380,, "O-RING 1A P-38.0",1,1,1,1,1,1,,,,,,,,,,,,,  
23,2,,24321-001350,, "O-RING 1A G-135.0",2,2,2,2,2,2,,,,,,,,,,,,,  
24,2,,26013-100202,, "BOLT W/WASHER M10X20",8,8,8,8,8,8,,,,,,,,,,,,,  
25,2,,933171-23042,, MAGNET,1,1,1,1,1,1,,,,,,,,,,,,,  
26,2,,933171-23062,, "PLUG 24, DRAIN",1,1,1,1,1,1,,,,,,,,,,,,,  
27,1,,22137-140000,, "WASHER 14,POLISHED",4,4,4,4,4,4,,,,,,,,,,,,,  
28,1,,22217-140000,, "SPRING WASHER 14",4,4,4,4,4,4,,,,,,,,,,,,,  
29,1,,26116-140302,, "BOLT M14X 30 PLATED",4,4,4,4,4,4,,,,,,,,,,,,,

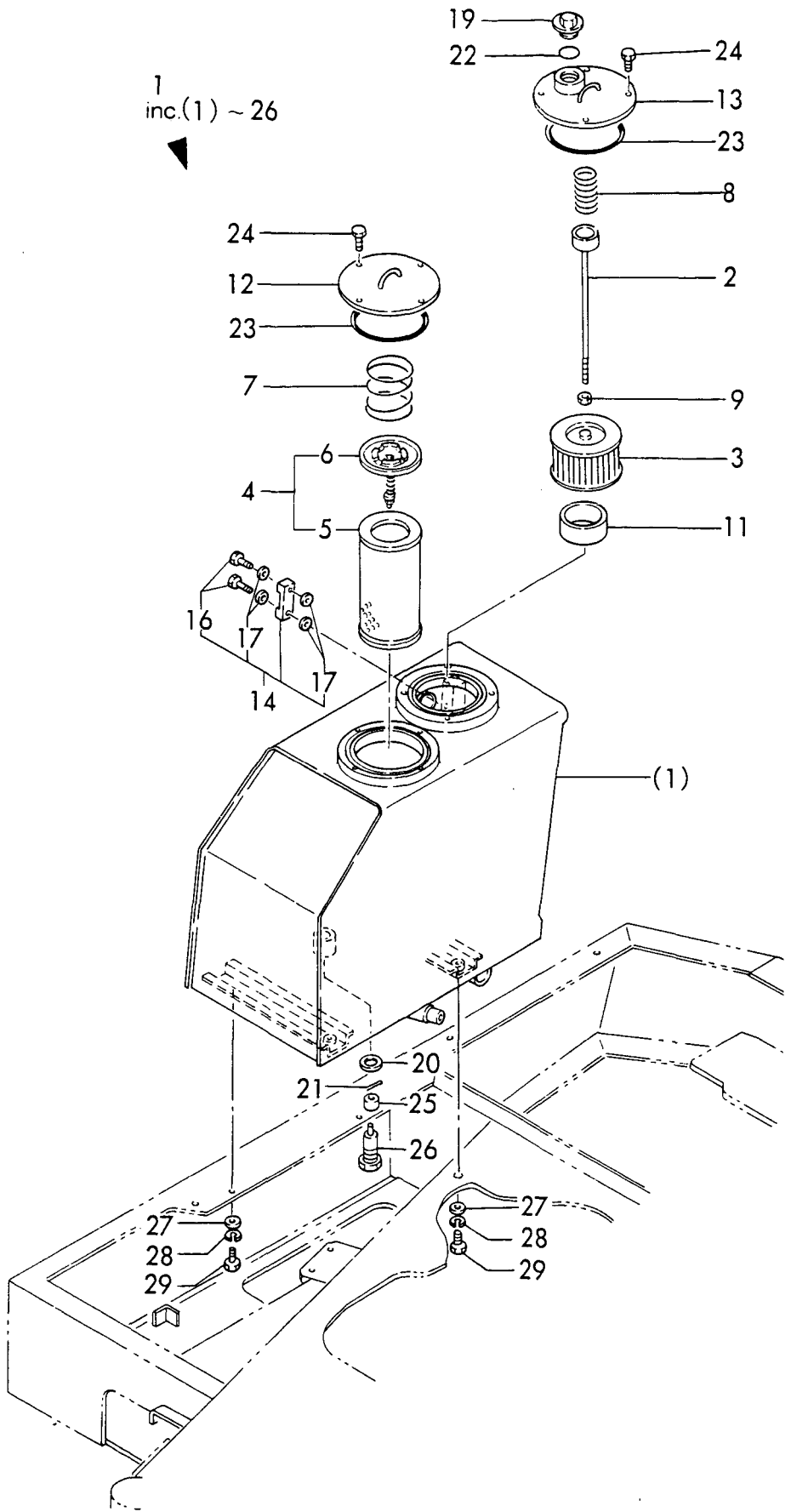


Fig.

# 52

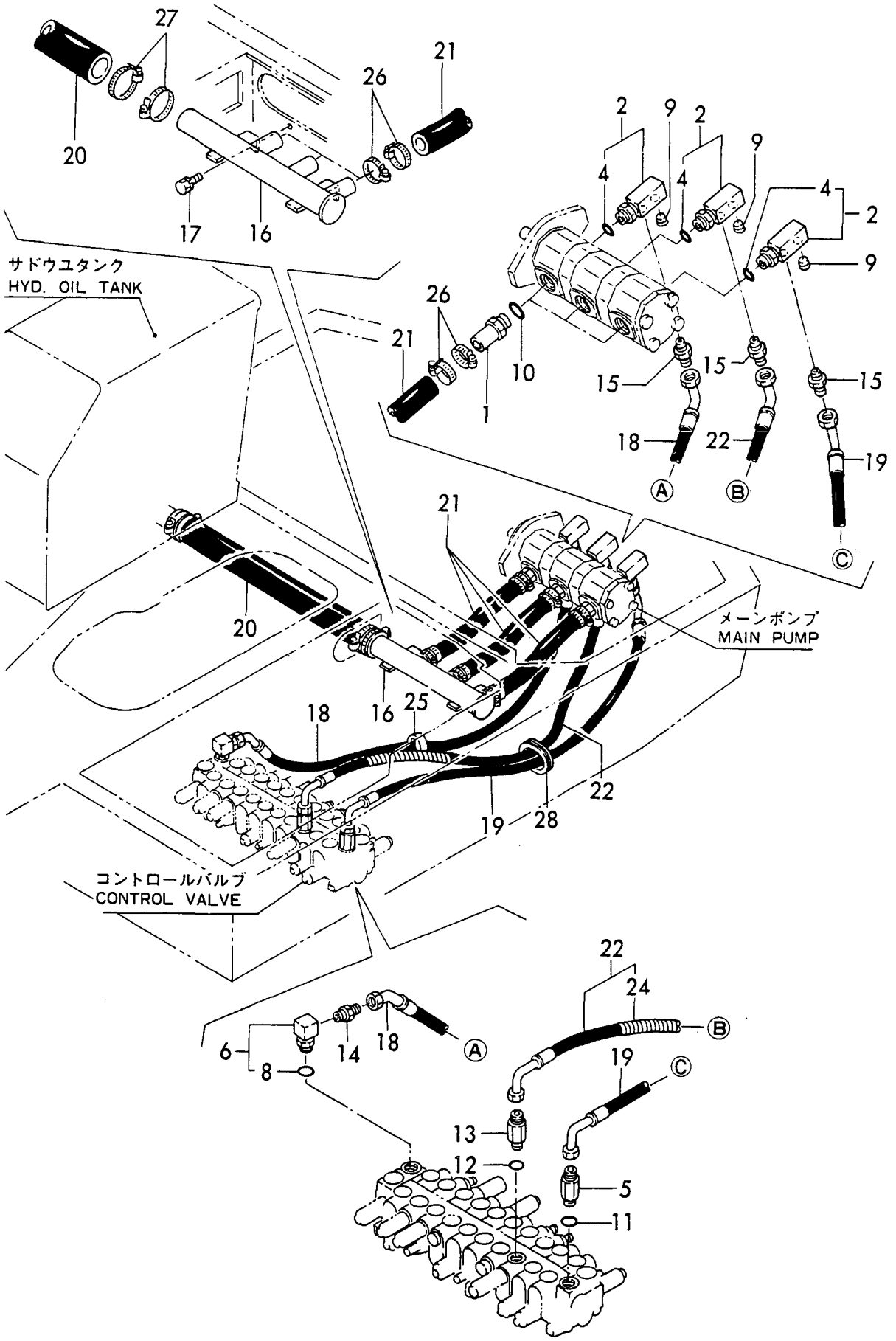
## サドウユタンク HYD. OIL TANK

1  
inc.(1) ~ 26



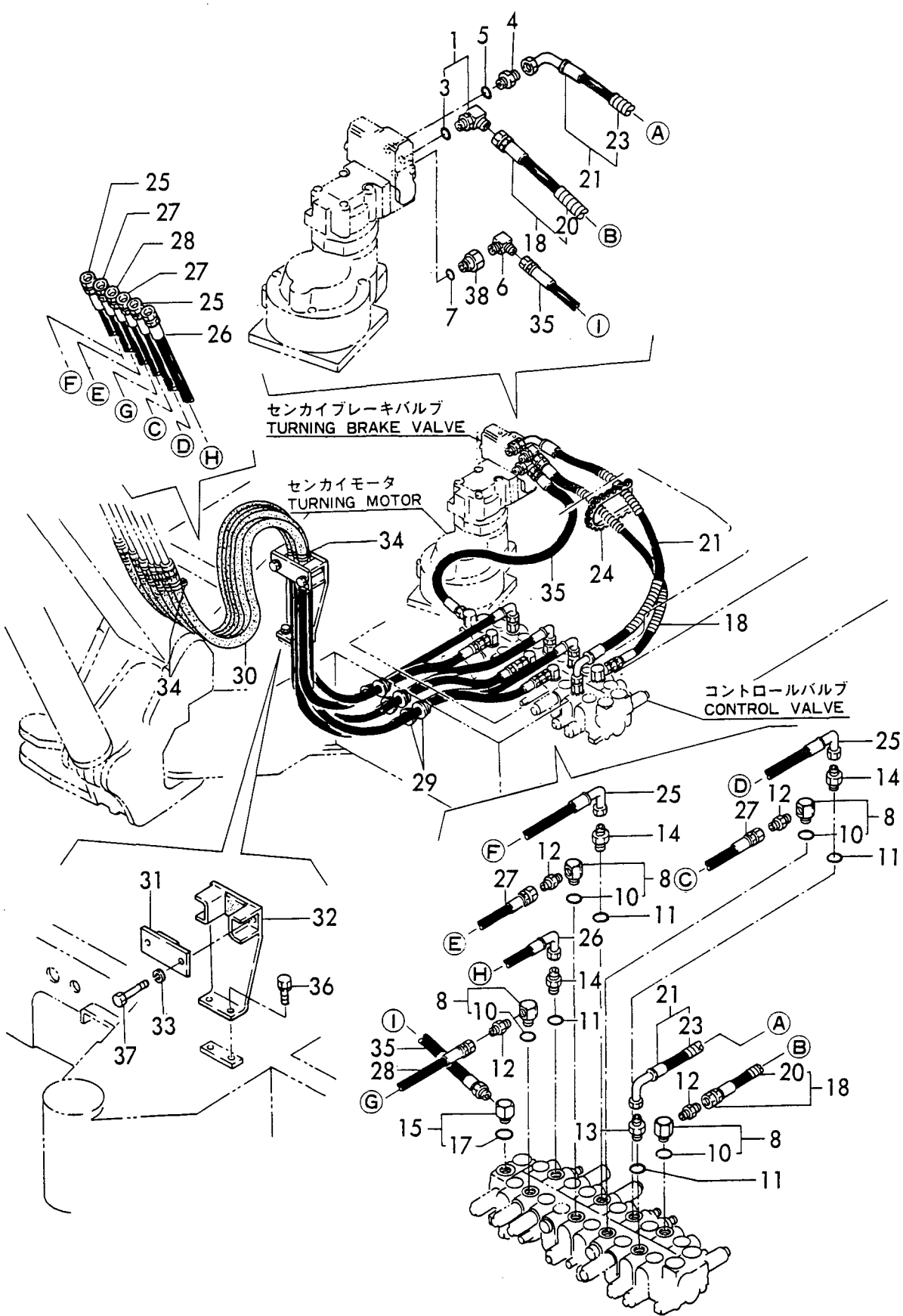
1,1,,172142-76100,,CONNECTOR,3,3,3,3,3,3,,,,,,,,,,,,,  
2,1,,172142-76110,, "ELBOW PF1/2",3,3,3,3,3,3,,,,,,,,,,,,,  
4,2,,24315-000180,, "O-RING 1B P-18.0",3,3,3,3,3,3,,,,,,,,,,,,,  
5,1,,172142-76130,, "JOINT 7/8UN-1/4",1,1,1,1,1,1,,,,,,,,,,,,,  
6,1,,172124-76350,, "CONNECTOR 1/2",1,1,1,1,1,1,,,,,,,,,,,,,  
8,2,,933152-07400,, "O-RING (A)",1,1,1,1,1,1,,,,,,,,,,,,,  
9,1,,23871-030000,, "PLUG PT3/8,SCREW",3,3,3,3,3,3,,,,,,,,,,,,,  
10,1,,24315-000240,, "O-RING 1B P-24.0",3,3,3,3,3,3,,,,,,,,,,,,,  
11,1,,933152-07400,, "O-RING (A)",1,1,1,1,1,1,,,,,,,,,,,,,  
12,1,,933152-24120,, "O-RING (B)",1,1,1,1,1,1,,,,,,,,,,,,,  
13,1,,933166-24120,, "CONNECTOR PF1/2-10",1,1,1,1,1,1,,,,,,,,,,,,,  
14,1,,933166-25420,,ADAPTER,1,1,,,,,,,,,,,,,  
14-1,1,,23391-040000,, "JOINT RGI  
1/2",1,1,1,1,1,1,N,,72142283,M21109,72142283,M21109,,,,,,,,,I  
15,1,,933166-25420,,ADAPTER,3,3,,,,,,,,,,,,,  
15-1,1,,23391-040000,, "JOINT RGI  
1/2",3,3,3,3,3,3,N,,72142283,M21109,72142283,M21109,,,,,,,,,I  
16,1,,172142-76400,, "PIPE, SUCTION",1,1,1,1,1,1,,,,,,,,,,,,,  
17,1,,26013-100202,, "BOLT W/WASHER M10X20",2,2,2,2,2,2,,,,,,,,,,,,,  
18,1,,172142-78100,,HOSE,1,1,1,1,1,1,,,,,,,,,,,,,  
19,1,,172142-78110,,HOSE,1,1,1,1,1,1,,,,,,,,,,,,,  
20,1,,172142-78350,,HOSE,1,1,1,1,1,1,,,,,,,,,,,,,  
21,1,,172142-78360,,HOSE,3,3,3,3,3,3,,,,,,,,,,,,,  
22,1,,172142-78740,,HOSE,1,1,1,1,1,1,,,,,,,,,,,,,  
24,2,,172312-78700,, "TUBE, SPIRAL",1,1,1,1,1,1,,,,,,,,,,,,,  
25,1,,172112-78750,, "CLAMP (B), HOSE",1,1,1,1,1,1,,,,,,,,,,,,,  
26,1,,23000-041000,, "CLAMP 41",12,12,12,12,12,12,,,,,,,,,,,,,  
27,1,,23000-070000,, "CLAMP 70",4,4,4,4,4,4,,,,,,,,,,,,,  
28,1,,29321-405065,, "GROMMET 40X5.0",1,1,1,1,1,1,,,,,,,,,,,,,

Fig. 53 ユアツハイカン(タンクーポンプーバルブ)  
 HYD. OIL PIPING (TANK-PUMP-VALVE)



1,1,,172142-76180,,JOINT,1,1,1,1,1,1,,,,,,,,,,,,,  
3,2,,24315-000140,,,"O-RING 1B P-14.0",1,1,1,1,1,1,,,,,,,,,,,,,  
4,1,,172730-75140,,ADAPTOR,1,1,1,1,1,1,,,,,,,,,,,,,  
5,1,,24315-000140,,,"O-RING 1B P-14.0",1,1,1,1,1,1,,,,,,,,,,,,,  
6,1,,23393-030000,,,"JOINT 90RGI 3/8",1,1,1,1,1,1,,,,,,,,,,,,,  
7,1,,24315-000180,,,"O-RING 1B P-18.0",1,1,1,1,1,1,,,,,,,,,,,,,  
8,1,,933152-24062,,,"CONNECTOR (C)",4,4,4,4,4,4,,,,,,,,,,,,,  
10,2,,933152-24120,,,"O-RING (B)",4,4,4,4,4,4,,,,,,,,,,,,,  
11,1,,933152-24120,,,"O-RING (B)",4,4,4,4,4,4,,,,,,,,,,,,,  
12,1,,933152-24410,,,"CONNECTOR (A)",4,4,4,4,4,4,,,,,,,,,,,,,  
13,1,,933155-08481,,,"CONNECTOR (A)",1,1,1,1,1,1,,,,,,,,,,,,,  
14,1,,933155-08481,,,"CONNECTOR (A)",3,3,3,3,3,3,,,,,,,,,,,,,  
15,1,,933169-24281,,CONNECTOR,1,1,1,1,1,1,,,,,,,,,,,,,  
17,2,,933152-07400,,,"O-RING (A)",1,1,1,1,1,1,,,,,,,,,,,,,  
18,1,,172142-77500,,HOSE,1,1,1,1,1,1,,,,,,,,,,,,,  
20,2,,172312-78700,,,"TUBE, SPIRAL",2,2,2,2,2,2,,,,,,,,,,,,,  
21,1,,172142-77520,,HOSE,1,1,1,1,1,1,,,,,,,,,,,,,  
23,2,,172312-78700,,,"TUBE, SPIRAL",2,2,2,2,2,2,,,,,,,,,,,,,  
24,1,,172141-78020,,,"BUSH 10325",1,1,1,1,1,1,,,,,,,,,,,,,  
25,1,,172142-78120,,HOSE,2,2,2,2,2,2,,,,,,,,,,,,,  
26,1,,172142-78130,,HOSE,1,1,1,1,1,1,,,,,,,,,,,,,  
27,1,,172142-78140,,HOSE,2,2,2,2,2,2,,,,,,,,,,,,,  
28,1,,172142-78150,,HOSE,1,1,1,1,1,1,,,,,,,,,,,,,  
29,1,,172142-78450,,GROMMET,6,6,6,6,6,6,,,,,,,,,,,,,  
30,1,,172142-78760,,,"COVER 16-650, HOSE",6,6,6,6,6,6,,,,,,,,,,,,,  
31,1,,172142-78970,,,"HOLD, HOSE",1,1,1,1,1,1,,,,,,,,,,,,,  
32,1,,172142-78980,,SUPPORT,1,1,1,1,1,1,,,,,,,,,,,,,  
33,1,,22217-100000,,,"SPRING WASHER 10",2,2,2,2,2,2,,,,,,,,,,,,,  
34,1,,23000-025000,,,"CLAMP 25",12,12,12,12,12,12,,,,,,,,,,,,,  
35,1,,23251-030701,,HOSE,1,1,1,1,1,1,,,,,,,,,,,,,  
36,1,,26013-100202,,,"BOLT W/WASHER M10X20",2,2,2,2,2,2,,,,,,,,,,,,,  
37,1,,26116-100602,,,"BOLT M10X 60 PLATED",2,2,2,2,2,2,,,,,,,,,,,,,  
38,1,,172142-76320,,BUSH,1,1,1,1,1,1,,,,,,,,,,,,,

Fig. 54 ユアツハイカン(バルブモータ, ブーム)  
 HYD. OIL PIPING (VALVE-MOTOR, BOOM)



1,1,,172142-76150,, "JOINT 3/4UN-1/4",2,2,2,2,2,2,,,,,,,,,,,,,  
2,1,,172142-76160,, "JOINT 3/4UN-3/8",2,2,2,2,2,2,,,,,,,,,,,,,  
3,1,,172110-76440,, ELBOW,2,2,,,,,,,,,,,,,  
3-1,1,,23393-020000,, "JOINT  
90RGI1/4",2,2,2,2,2,2,N,,72142283,M21109,72142283,M21109,,,,,,,,,I  
4,1,,933152-22771,, "ELBOW (90°)",4,4,,,,,,,,,,,,,  
4-1,1,,23393-030000,, "JOINT 90RGI  
3/8",4,4,4,4,4,4,N,,72142283,M21109,72142283,M21109,,,,,,,,,I  
5,1,,933152-24120,, "O-RING (B)",6,6,6,6,6,6,,,,,,,,,,,,,  
6,1,,933155-08481,, "CONNECTOR (A)",2,2,2,2,2,2,,,,,,,,,,,,,  
7,1,,172122-78200,, "HOSE F406G 05",1,1,1,1,1,1,,,,,,,,,,,,,  
8,1,,172142-78660,, HOSE,2,2,2,2,2,2,,,,,,,,,,,,,  
10,2,,172142-78700,, "TUBE, SPIRAL",2,2,2,2,2,2,,,,,,,,,,,,,  
11,1,,172142-78680,, HOSE,1,1,1,1,1,1,,,,,,,,,,,,,  
13,2,,172142-78700,, "TUBE, SPIRAL",1,1,1,1,1,1,,,,,,,,,,,,,  
14,1,,172312-78690,, HOSE,1,1,1,1,1,1,,,,,,,,,,,,,  
15,1,,172142-78720,, HOSE,1,1,1,1,1,1,,,,,,,,,,,,,  
16,2,,172142-78700,, "TUBE, SPIRAL",1,1,1,1,1,1,,,,,,,,,,,,,

Fig. **55** ユアツハイカン(バルブースイベル)  
 HYD. OIL PIPING (VALVE-SWIVEL)

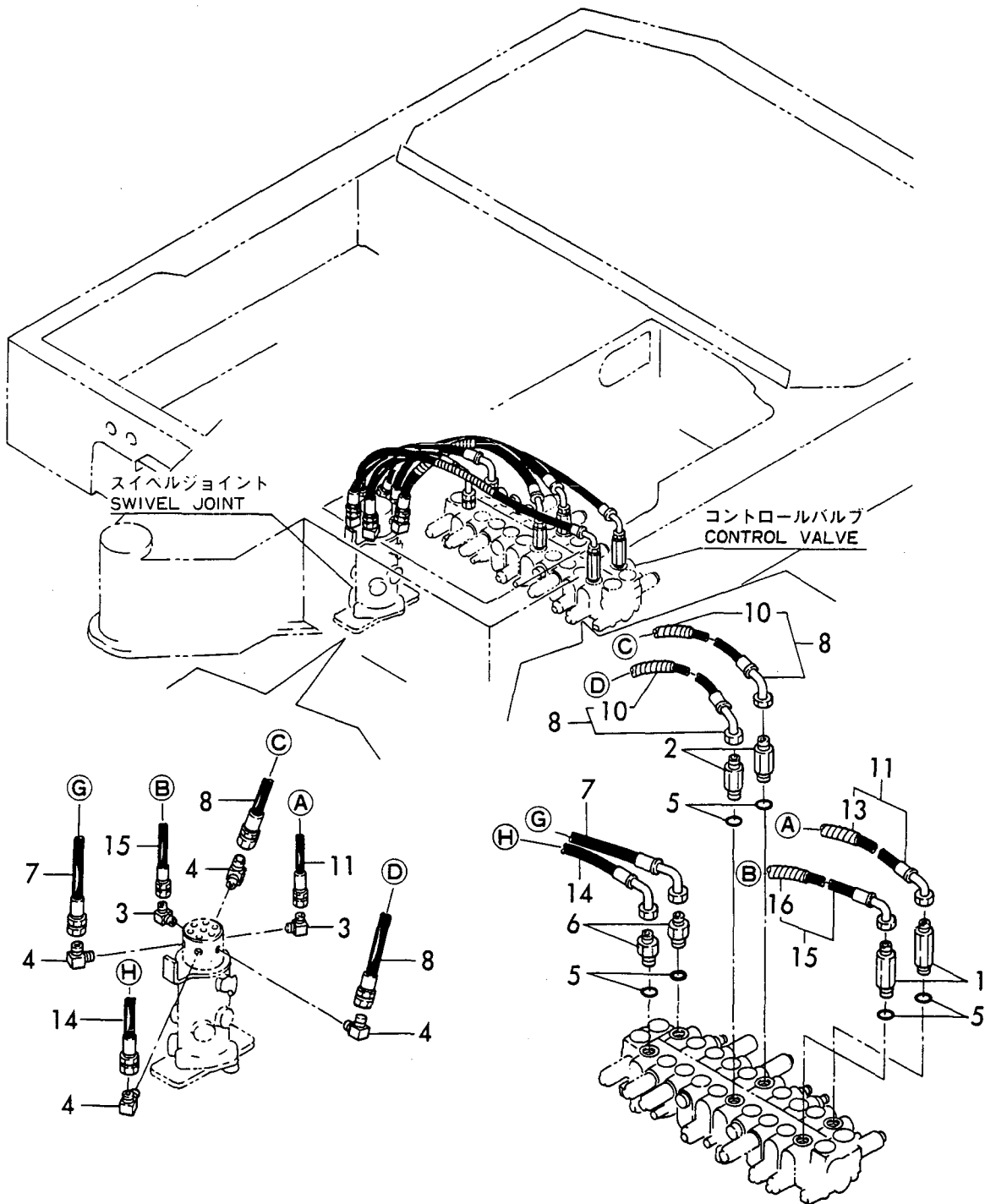
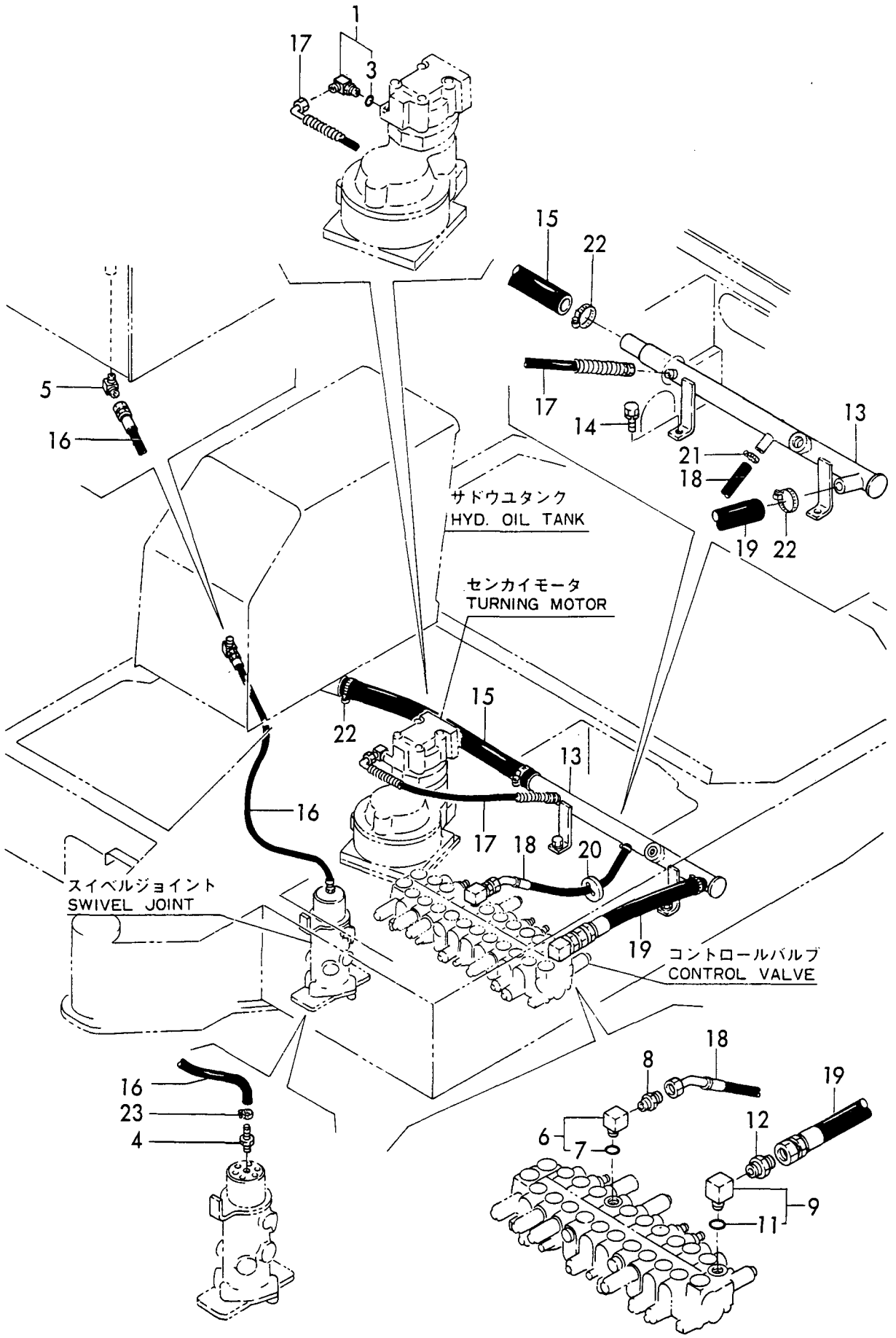




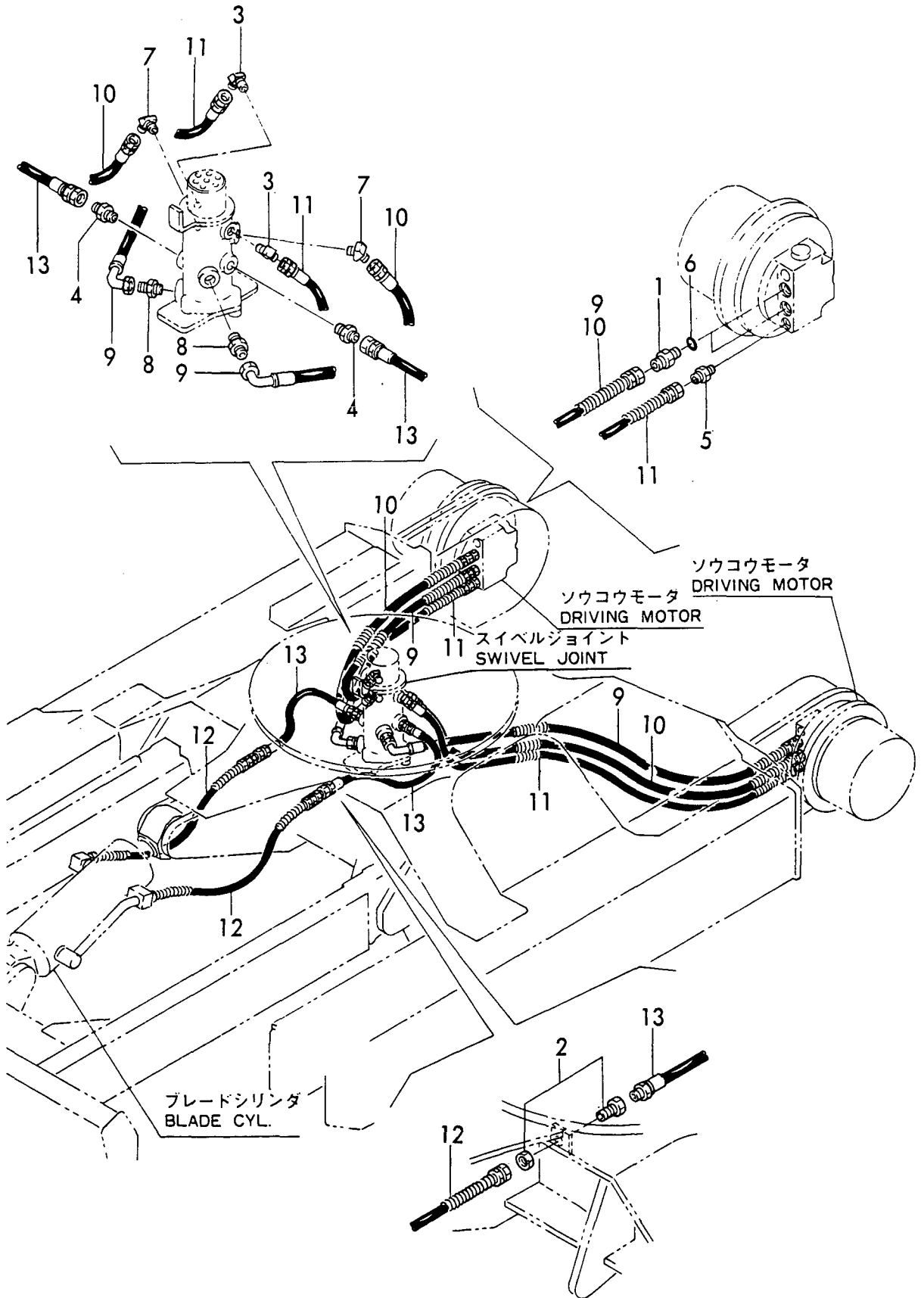


Fig. **56** ユアツハイカン(リターン)  
 HYD. OIL PIPING (RETURN)



1,1,,172730-75140,,ADAPTOR,4,4,4,4,4,4,,,,,,,,,,,,,  
2,1,,172141-76230,,JOINT,2,2,2,2,2,2,,,,,,,,,,,,,  
3,1,,172110-76450,,ELBOW,2,2,,,,,,,,,,,,,  
3-1,1,,23394-020000,, "JOINT  
45RGI1/4",2,2,2,2,2,2,N,,72142283,M21109,72142283,M21109,,,,,,,,,I  
4,1,,172110-76470,,NIPPLE,2,2,,,,,,,,,,,,,  
4-1,1,,23391-020000,, "JOINT  
RGI1/4",2,2,2,2,2,2,N,,72142283,M21109,72142283,M21109,,,,,,,,,I  
5,1,,23391-020000,, "JOINT RGI1/4",2,2,2,2,2,2,,,,,,,,,,,,,  
6,1,,24315-000140,, "O-RING 1B P-14.0",4,4,4,4,4,4,,,,,,,,,,,,,  
7,1,,933152-22761,, "ELBOW (45°)",2,2,,,,,,,,,,,,,  
7-1,1,,23394-030000,, "JOINT 45RGI  
3/8",2,2,2,2,2,2,N,,72142283,M21109,72142283,M21109,,,,,,,,,I  
8,1,,933152-24410,, "CONNECTOR (A)",2,2,2,2,2,2,,,,,,,,,,,,,  
9,1,,172142-78310,,HOSE,2,2,2,2,2,2,,,,,,,,,,,,,  
10,1,,172142-78320,,HOSE,2,2,2,2,2,2,,,,,,,,,,,,,  
11,1,,172142-78330,,HOSE,2,2,2,2,2,2,,,,,,,,,,,,,  
12,1,,172142-78340,,HOSE,2,2,2,2,2,2,,,,,,,,,,,,,  
13,1,,172141-78450,,HOSE,2,2,2,2,2,2,,,,,,,,,,,,,

Fig. 57 ユアツハイカン(トラックフレーム)  
 HYD. OIL PIPING (TRACK FRAME)



1,1,,172142-76500,, "PIPE(A), BOOM",1,1,1,1,1,1,,,,,,,,,,,,,  
2,1,,172142-76520,, "PIPE(B), BOOM",1,1,1,1,1,1,,,,,,,,,,,,,  
3,1,,172142-76540,, "PIPE(L), ARM",1,1,1,1,1,1,,,,,,,,,,,,,  
4,1,,172142-76560,, "PIPE(R), ARM",1,1,1,1,1,1,,,,,,,,,,,,,  
5,1,,172142-76580,, "PIPE(L), BUCKET",1,1,1,1,1,1,,,,,,,,,,,,,  
6,1,,172142-76600,, "PIPE(R), BUCKET",1,1,1,1,1,1,,,,,,,,,,,,,  
7,1,,172141-76670,, "CLAMP, PIPE(A)",6,6,6,6,6,6,,,,,,,,,,,,,  
8,1,,172141-76680,, "CLAMP, PIPE(B)",3,3,3,3,3,3,,,,,,,,,,,,,  
9,1,,22217-080000,, "SPRING WASHER 8",6,6,6,6,6,6,,,,,,,,,,,,,  
10,1,,26013-100352,, "BOLT M10X 35",6,6,6,6,6,6,,,,,,,,,,,,,  
11,1,,26717-080002,, "NUT M 8",6,6,6,6,6,6,,,,,,,,,,,,,  
12,1,,172142-78270,, "HOSE",2,2,2,2,2,2,,,,,,,,,,,,,  
13,1,,172142-78280,, "HOSE",2,2,2,2,2,2,,,,,,,,,,,,,  
14,1,,172142-78290,, "HOSE",1,1,1,1,1,1,,,,,,,,,,,,,  
15,1,,172142-78300,, "HOSE",1,1,1,1,1,1,,,,,,,,,,,,,  
16,1,,172142-78770,, "COVER 16-730, HOSE",2,2,2,2,2,2,,,,,,,,,,,,,  
17,1,,172122-79880,, "COVER",1,1,1,1,1,1,,,,,,,,,,,,,  
18,1,,23000-025000,, "CLAMP 25",6,6,6,6,6,6,,,,,,,,,,,,,

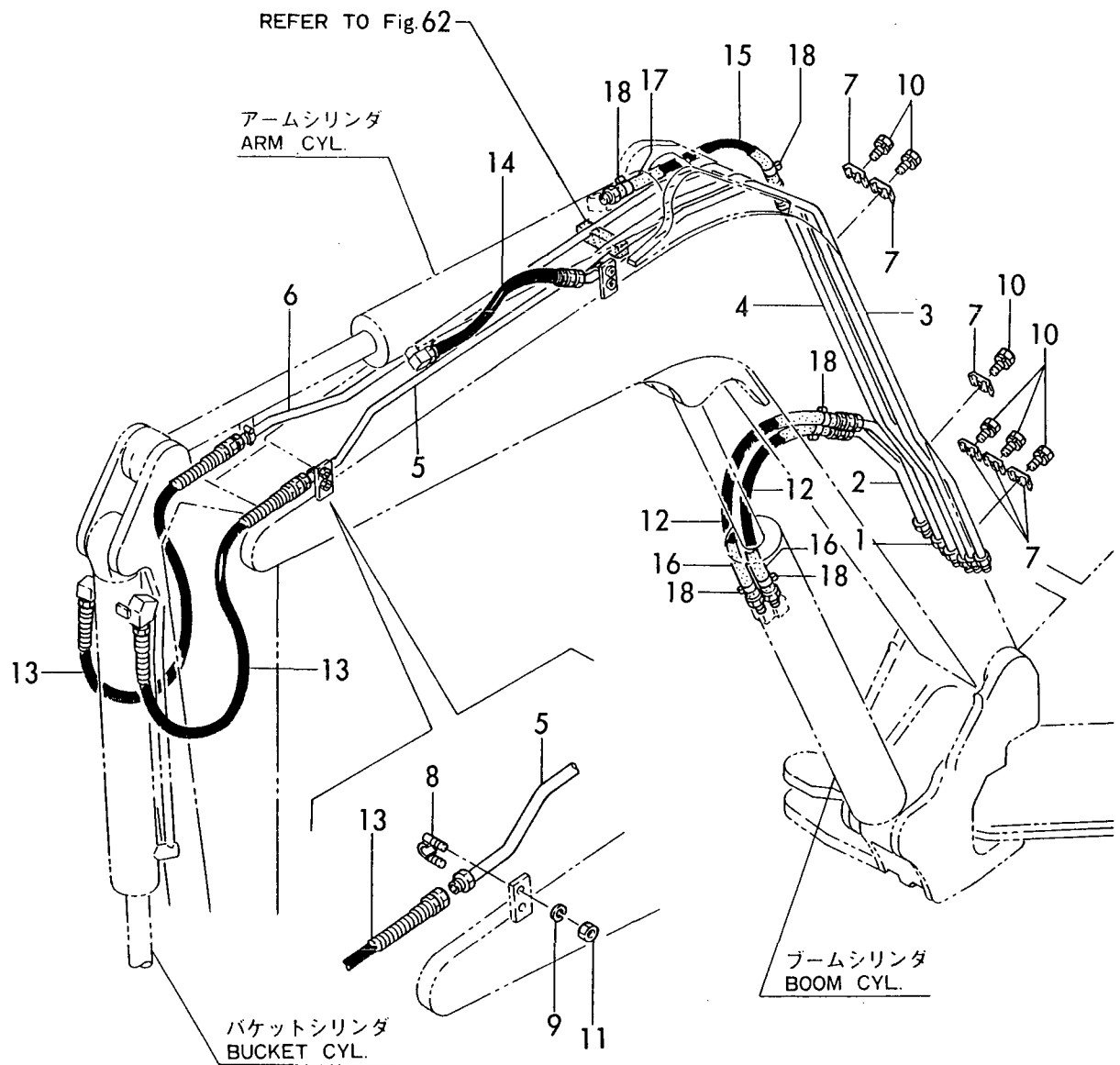
Fig. 58 ユアツハイカン(ブーム)  
 HYD. OIL PIPING (BOOM)

REFER TO Fig.62

アームシリンダ  
 ARM CYL.

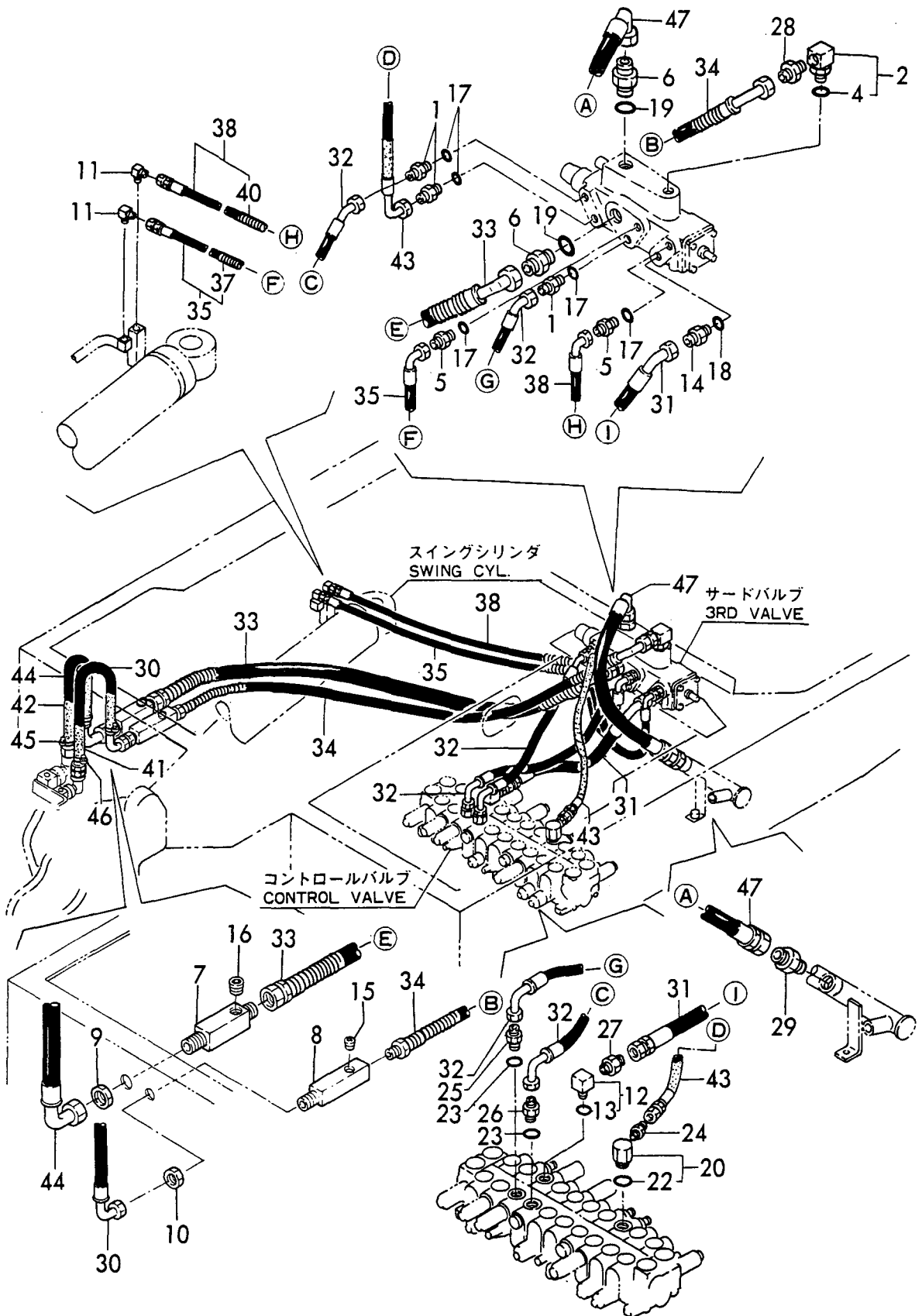
バケットシリンダ  
 BUCKET CYL.

ブームシリンダ  
 BOOM CYL.



1,1,,172730-75140,,ADAPTOR,3,3,3,3,3,3,,,,,,,,,,,,,  
2,1,,172122-76131,, "CONNECTOR PT1/2-45",1,1,1,1,1,1,,,,,,,,,,,,,  
4,2,,24315-000180,, "O-RING 1B P-18.0",1,1,1,1,1,1,,,,,,,,,,,,,  
5,1,,172124-76160,,CONNECTOR,2,2,2,2,2,2,,,,,,,,,,,,,  
6,1,,172142-76240,, "JOINT PF3/4",2,2,2,2,2,2,,,,,,,,,,,,,  
7,1,,172142-76340,, "JOINT 3/4T",1,1,1,1,1,1,,,,,,,,,,,,,  
8,1,,172142-76350,, "JOINT 1/2T",1,1,1,1,1,1,,,,,,,,,,,,,  
9,1,,172142-76360,, "NUT PF3/4",1,1,1,1,1,1,,,,,,,,,,,,,  
10,1,,172142-76370,, "NUT PF1/2",1,1,1,1,1,1,,,,,,,,,,,,,  
11,1,,172110-76440,,ELBOW,2,2,,,,,,,,,,,,,  
11-1,1,,23393-020000,, "JOINT  
90RGI1/4",2,2,2,2,2,2,N,,72142283,M21109,72142283,M21109,,,,,,,,,I  
12,1,,172112-77261,, "CONNECTOR PF1/2L-42",1,1,1,1,1,1,,,,,,,,,,,,,  
13,2,,933152-24120,, "O-RING (B)",1,1,1,1,1,1,,,,,,,,,,,,,  
14,1,,172112-77360,, "CONNECTOR PF1/2PF1/2",1,1,1,1,1,1,,,,,,,,,,,,,  
15,1,,23871-030000,, "PLUG PT3/8,SCREW",1,1,1,1,1,1,,,,,,,,,,,,,  
16,1,,23871-040000,, "PLUG PT1/2,SCREW",1,1,1,1,1,1,,,,,,,,,,,,,  
17,1,,24315-000140,, "O-RING 1B P-14.0",5,5,5,5,5,5,,,,,,,,,,,,,  
18,1,,24315-000180,, "O-RING 1B P-18.0",1,1,1,1,1,1,,,,,,,,,,,,,  
19,1,,24315-000240,, "O-RING 1B P-24.0",2,2,2,2,2,2,,,,,,,,,,,,,  
20,1,,933152-24062,, "CONNECTOR (C)",1,1,1,1,1,1,,,,,,,,,,,,,  
22,2,,933152-24120,, "O-RING (B)",1,1,1,1,1,1,,,,,,,,,,,,,  
23,1,,933152-24120,, "O-RING (B)",2,2,2,2,2,2,,,,,,,,,,,,,  
24,1,,933152-24410,, "CONNECTOR (A)",1,1,1,1,1,1,,,,,,,,,,,,,  
25,1,,933155-08481,, "CONNECTOR (A)",1,1,1,1,1,1,,,,,,,,,,,,,  
26,1,,933155-08481,, "CONNECTOR (A)",1,1,1,1,1,1,,,,,,,,,,,,,  
27,1,,933166-25420,,ADAPTER,1,1,,,,,,,,,,,,,  
27-1,1,,23391-040000,, "JOINT RGI  
1/2",1,1,1,1,1,1,N,,72142283,M21109,72142283,M21109,,,,,,,,,I  
28,1,,933166-25420,,ADAPTER,1,1,,,,,,,,,,,,,  
28-1,1,,23391-040000,, "JOINT RGI  
1/2",1,1,1,1,1,1,N,,72142283,M21109,72142283,M21109,,,,,,,,,I  
29,1,,933171-24970,,ADAPTER,1,1,1,1,,,,,,,,,,,,,  
29-1,1,,23391-060000,, "JOINT RGI  
3/4",1,1,1,1,1,1,N,,72142324,M21109,72142324,M21109,72142324,M21109,72142324,M21109,  
109,,,,,,,,,I  
30,1,,172142-78530,,HOSE,1,1,1,1,1,1,,,,,,,,,,,,,  
31,1,,172142-78540,,HOSE,1,1,1,1,1,1,,,,,,,,,,,,,  
32,1,,172142-78550,,HOSE,2,2,2,2,2,2,,,,,,,,,,,,,  
33,1,,172142-78570,,HOSE,1,1,1,1,1,1,,,,,,,,,,,,,  
34,1,,172142-78580,,HOSE,1,1,1,1,1,1,,,,,,,,,,,,,  
35,1,,172142-78590,,HOSE,1,1,1,1,1,1,,,,,,,,,,,,,  
37,2,,172142-78710,, "TUBE, SPIRAL",1,1,1,1,1,1,,,,,,,,,,,,,  
38,1,,172142-78610,,HOSE,1,1,1,1,1,1,,,,,,,,,,,,,  
40,2,,172142-78710,, "TUBE, SPIRAL",1,1,1,1,1,1,,,,,,,,,,,,,  
41,1,,172142-78800,, "COVER 20-700, HOSE",1,1,1,1,1,1,,,,,,,,,,,,,  
42,1,,172142-78820,, "COVER 24-780, HOSE",1,1,1,1,1,1,,,,,,,,,,,,,  
43,1,,172142-78841,,HOSE,1,1,1,1,1,1,,,,,,,,,,,,,  
44,1,,172142-78850,,HOSE,1,1,1,1,1,1,,,,,,,,,,,,,  
45,1,,23000-041000,, "CLAMP 41",2,2,2,2,2,2,,,,,,,,,,,,,  
46,1,,23000-035000,, "CLAMP 35",2,2,2,2,2,2,,,,,,,,,,,,,  
47,1,,23251-060505,,HOSE,1,1,1,1,1,1,,,,,,,,,,,,,

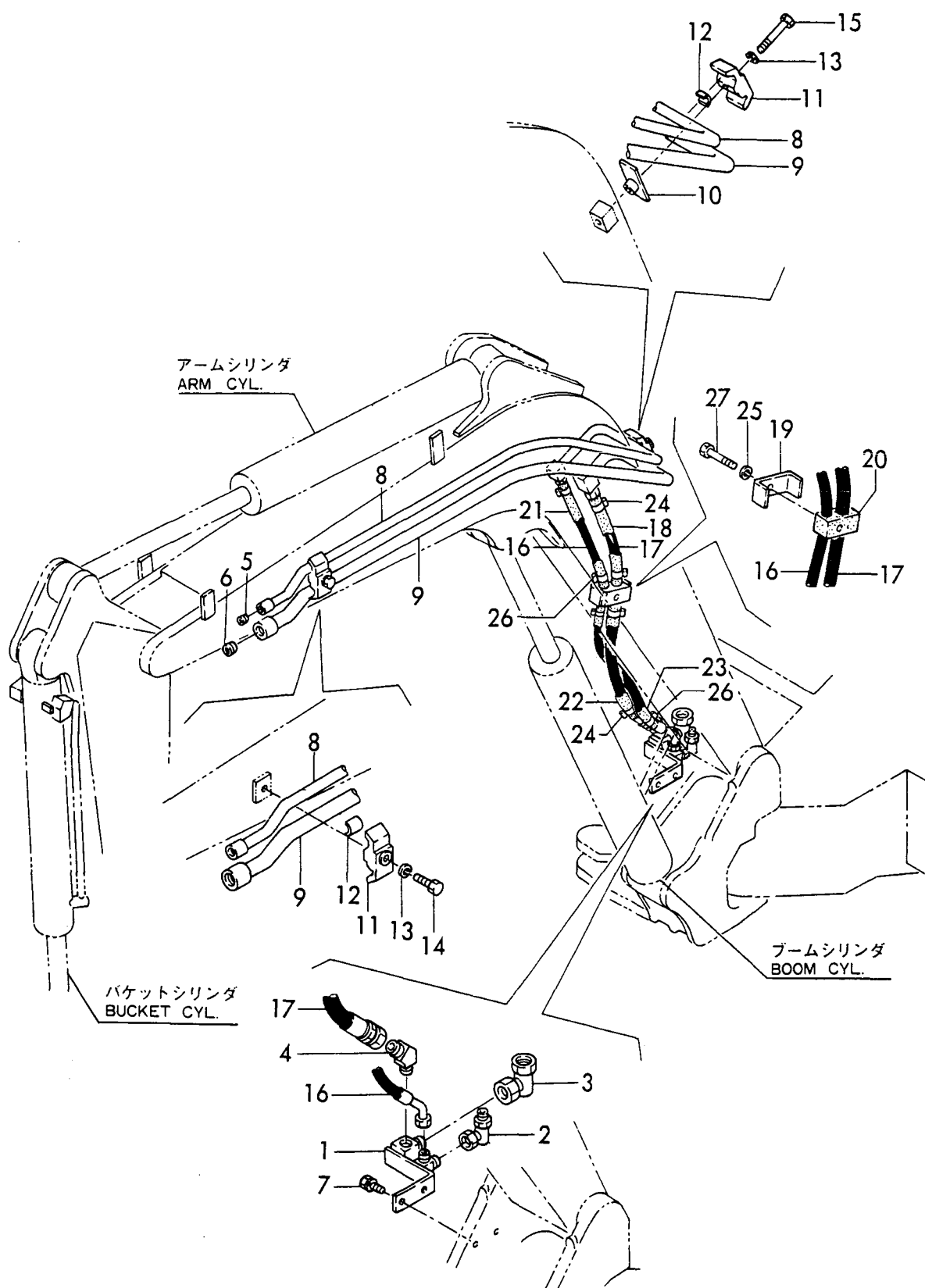
Fig. 59 ユアツハイカン(サードバルブ, フレーム)  
 HYD. OIL PIPING (3RD VALVE, FRAME)



1,1,,172142-76200,, "JOINT, ELBOW",1,1,1,1,1,1,,,,,,,,,,,,,  
2,1,,172142-76270,, "JOINT 1/2, SWIVEL",1,1,1,1,1,1,,,,,,,,,,,,,  
3,1,,172142-76280,, "JOINT 3/4, SWIVEL",1,1,1,1,1,1,,,,,,,,,,,,,  
4,1,,23394-060000,, "JOINT 45RGI3/4",1,1,1,1,1,1,,,,,,,,,,,,,  
5,1,,23871-040000,, "PLUG PT1/2,SCREW",1,1,1,1,1,1,,,,,,,,,,,,,  
6,1,,23871-060000,, "PLUG PT3/4,SCREW",1,1,1,1,1,1,,,,,,,,,,,,,  
7,1,,26013-100252,, "BOLT M10X 25",2,2,2,2,2,2,,,,,,,,,,,,,  
8,1,,172142-76700,, "PIPE(A), 3RD",1,1,1,1,1,1,,,,,,,,,,,,,  
9,1,,172142-76720,, "PIPE(B), 3RD",1,1,1,1,1,1,,,,,,,,,,,,,  
10,1,,172142-76750,, "SUPPORT, PIPE",1,1,1,1,1,1,,,,,,,,,,,,,  
11,1,,172125-76900,, "CLAMP,2,2,2,2,2,2,,,,,,,,,,,,,  
12,1,,172312-77930,, "SPACER, CLAMP",2,2,2,2,2,2,,,,,,,,,,,,,  
13,1,,22217-120000,, "WASHER 12,SPRING",2,2,2,2,2,2,,,,,,,,,,,,,  
14,1,,26116-120552,, "BOLT M12X 55 PLATED",1,1,1,1,1,1,,,,,,,,,,,,,  
15,1,,26116-120752,, "BOLT M12X 75 PLATED",1,1,1,1,1,1,,,,,,,,,,,,,  
16,1,,172142-78500,, "HOSE,1,1,1,1,1,1,,,,,,,,,,,,,  
17,1,,172142-78510,, "HOSE,1,1,1,1,1,1,,,,,,,,,,,,,  
18,1,,172142-78810,, "COVER 24-400, HOSE",1,1,1,1,1,1,,,,,,,,,,,,,  
19,1,,172142-78950,, "CLAMP(A), HOSE",1,1,1,1,1,1,,,,,,,,,,,,,  
20,1,,172142-78960,, "CLAMP(B), HOSE",1,1,1,1,1,1,,,,,,,,,,,,,  
21,1,,172142-78780,, "COVER, HOSE",1,1,1,1,1,1,,,,,,,,,,,,,  
22,1,,172142-78790,, "COVER 20-600, HOSE",1,1,1,1,1,1,,,,,,,,,,,,,  
23,1,,172137-79950,, "COVER,1,1,1,1,1,1,,,,,,,,,,,,,  
24,1,,23000-041000,, "CLAMP 41",4,4,4,4,4,4,,,,,,,,,,,,,  
25,1,,22217-120000,, "WASHER 12,SPRING",1,1,1,1,1,1,,,,,,,,,,,,,  
26,1,,23000-035000,, "CLAMP 35",4,4,4,4,4,4,,,,,,,,,,,,,  
27,1,,26116-120602,, "BOLT M12X 60 PLATED",1,1,1,1,1,1,,,,,,,,,,,,,

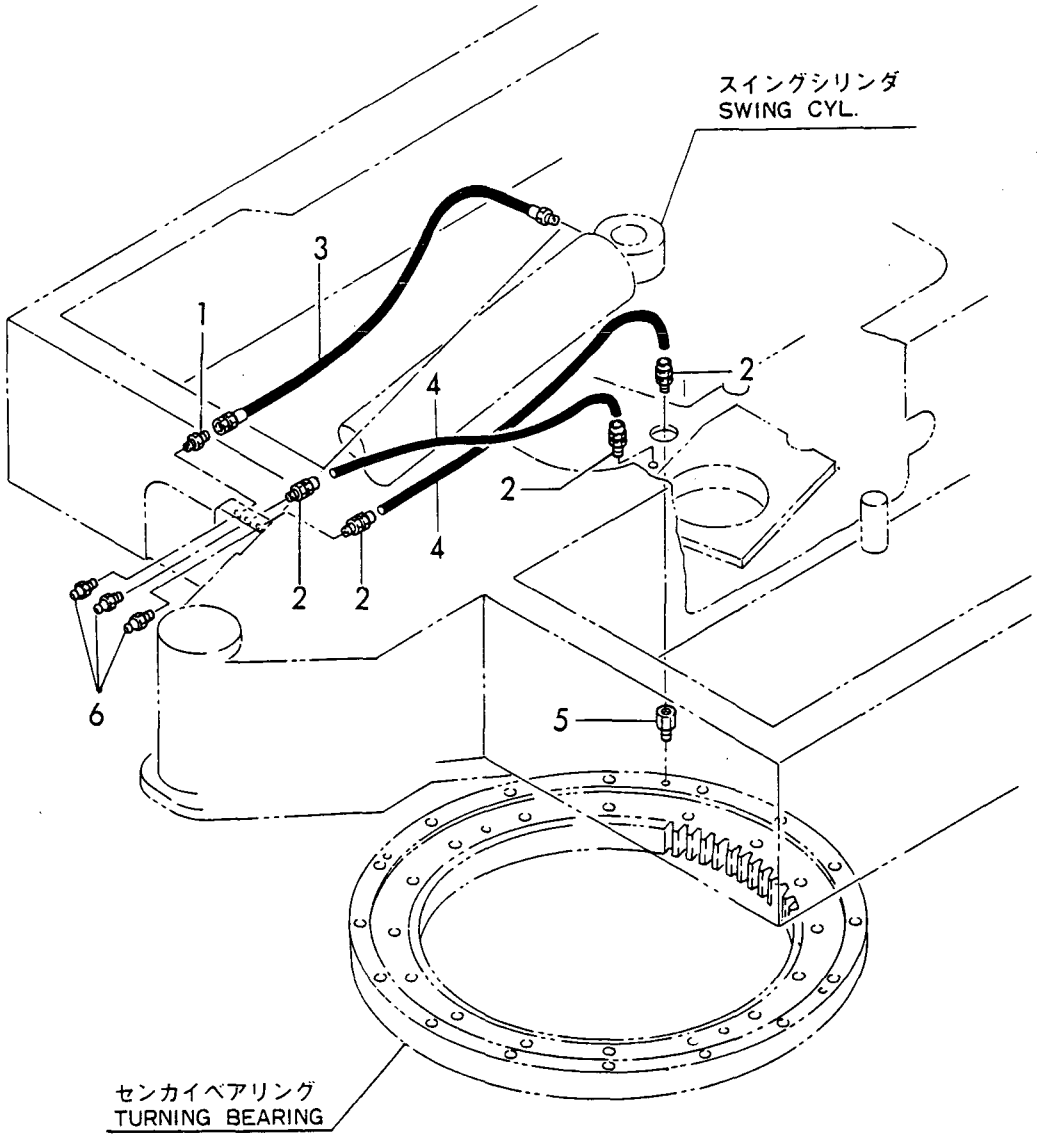


Fig. 60 ユアツハイカン(サードバルブ,ブーム)  
 HYD. OIL PIPING (3RD VALVE, BOOM)



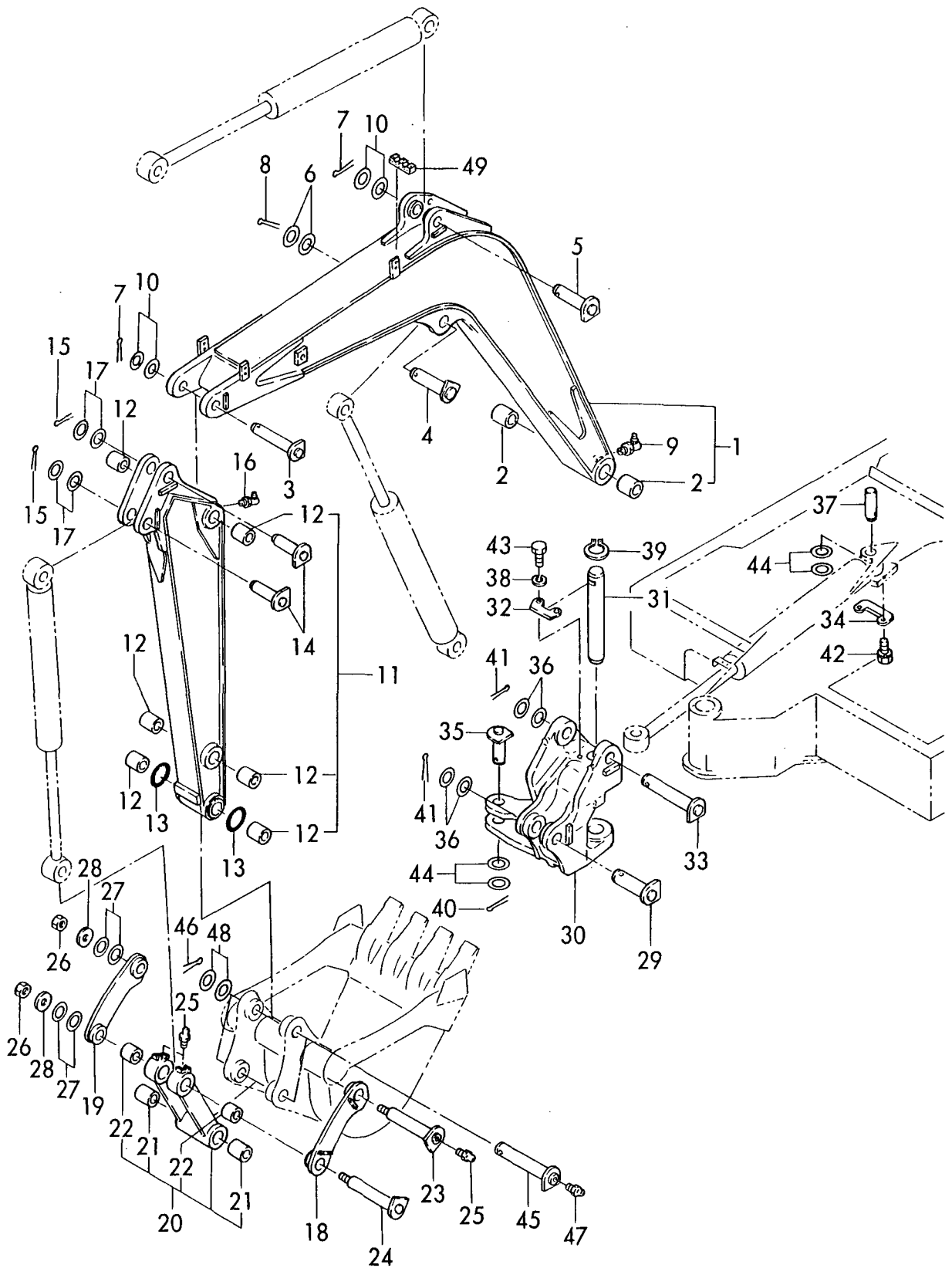
1,1,,172112-77580,, "JOINT 1/8",1,1,1,1,1,1,,,,,,,,,,,,,  
2,1,,172141-77800,, "JOINT, GREASE",4,4,4,4,4,4,,,,,,,,,,,,,  
3,1,,172142-77800,, HOSE,1,1,1,1,1,1,,,,,,,,,,,,,  
4,1,,172142-77810,, HOSE,2,2,,,,,,,,,,,,,  
4-1,1,,172142-  
77811,, HOSE,2,2,2,2,2,2,N,,72141355,\*1989.08,72141355,\*1989.08,72141355,\*1989.08  
,72141355,\*1989.08,,,,,I  
5,1,,172312-77820,, "FITTING, GREASE",1,1,1,1,1,1,,,,,,,,,,,,,  
6,1,,24761-020000,, "NIPPLE PT1/8,GREASE",3,3,3,3,3,3,,,,,,,,,,,,,

Fig. **61** エンカクキュウシ  
GREASING



1,1,,172142-81510,, "BOOM W/BUSH, 3RD V.",1,1,1,1,1,1,,,,,,,,,,,,,  
2,2,,172112-83500,, "PIN BUSH 45X60",2,2,2,2,2,2,,,,,,,,,,,,,  
3,1,,172142-81550,, "PIN 38X186",1,1,1,1,1,1,,,,,,,,,,,,,  
4,1,,172122-81581,, "PIN (B), BOOM",1,1,1,1,1,1,,,,,,,,,,,,,  
5,1,,172122-81621,, "PIN (C), BOOM",1,1,1,1,1,1,,,,,,,,,,,,,  
6,1,,172112-87840,, "SHIM 45X1",2,2,2,2,2,2,,,,,,,,,,,,,  
7,1,,22417-800500,, "COTTER PIN 8.0X50",2,2,2,2,2,2,,,,,,,,,,,,,  
8,1,,22417-800630,, "COTTER PIN 8.0X63",1,1,1,1,1,1,,,,,,,,,,,,,  
9,1,,24761-040000,, "NIPPLE B,GREASE",1,1,1,1,1,1,,,,,,,,,,,,,  
10,1,,933171-29750,, "SHIM SET, PIN 38",2,2,2,2,2,2,,,,,,,,,,,,,  
11,1,,172142-81200,, "ARM W/BUSH",1,1,1,1,1,1,,,,,,,,,,,,,  
12,2,,172116-82400,, "PIN BUSH 38X55",6,6,6,6,6,6,,,,,,,,,,,,,  
13,1,,172142-81620,, "O-RING",2,2,2,2,2,2,,,,,,,,,,,,,  
14,1,,172122-82301,, "PIN ASSY, ARM",2,2,2,2,2,2,,,,,,,,,,,,,  
15,1,,22417-800500,, "COTTER PIN 8.0X50",2,2,2,2,2,2,,,,,,,,,,,,,  
16,1,,24761-040000,, "NIPPLE B,GREASE",1,1,1,1,1,1,,,,,,,,,,,,,  
17,1,,933171-29750,, "SHIM SET, PIN 38",2,2,2,2,2,2,,,,,,,,,,,,,  
18,1,,172142-81300,, "ARM(L), BUCKET",1,1,1,1,1,1,,,,,,,,,,,,,  
19,1,,172142-81320,, "ARM(R), BUCKET",1,1,1,1,1,1,,,,,,,,,,,,,  
20,1,,172126-84400,, "LINK, BUCKET",1,1,1,1,1,1,,,,,,,,,,,,,  
21,2,,172116-82400,, "PIN BUSH 38X55",2,2,2,2,2,2,,,,,,,,,,,,,  
22,2,,172116-84490,, "PIN BUSH 38X41",2,2,2,2,2,2,,,,,,,,,,,,,  
23,1,,172122-84501,, "PIN (A), BUCKET ARM",1,1,1,1,1,1,,,,,,,,,,,,,  
24,1,,172116-84590,, "PIN, BUCKET ARM",1,1,1,1,1,1,,,,,,,,,,,,,  
25,1,,24761-020000,, "NIPPLE PT1/8,GREASE",3,3,3,3,3,3,,,,,,,,,,,,,  
26,1,,933110-86600,, "NUT M24, NYLON",2,2,2,2,2,2,,,,,,,,,,,,,  
27,1,,933171-29750,, "SHIM SET, PIN 38",2,2,2,2,2,2,,,,,,,,,,,,,  
28,1,,933171-29760,, "WASHER",2,2,2,2,2,2,,,,,,,,,,,,,  
29,1,,172122-81581,, "PIN (B), BOOM",1,1,1,1,1,1,,,,,,,,,,,,,  
30,1,,172142-82300,, "BRACKET, BOOM",1,1,1,1,1,1,,,,,,,,,,,,,  
31,1,,172142-82350,, "PIN 60X336",1,1,1,1,1,1,,,,,,,,,,,,,  
32,1,,172142-82360,, "PLATE",1,1,1,1,1,1,,,,,,,,,,,,,  
33,1,,172142-82370,, "PIN 45X237",1,1,1,1,1,1,,,,,,,,,,,,,  
34,1,,172142-82400,, "PLATE, LOCK",1,1,1,1,1,1,,,,,,,,,,,,,  
35,1,,172141-83371,, "PIN 38-97",1,1,1,1,1,1,,,,,,,,,,,,,  
36,1,,172112-87840,, "SHIM 45X1",4,4,4,4,4,4,,,,,,,,,,,,,  
37,1,,172141-94260,, "PIN 38-130",1,1,1,1,1,1,,,,,,,,,,,,,  
38,1,,22217-160000,, "SPRING WASHER 16",2,2,2,2,2,2,,,,,,,,,,,,,  
39,1,,22242-000600,, "CIRCLIP 60",1,1,1,1,1,1,,,,,,,,,,,,,  
40,1,,22417-800500,, "COTTER PIN 8.0X50",1,1,1,1,1,1,,,,,,,,,,,,,  
41,1,,22417-800630,, "COTTER PIN  
8.0X63",2,2,2,2,2,2,, ,72168202,,72168202,,72168202,,72168202,,72168202,,72168202  
,,I  
42,1,,26013-100252,, "BOLT M10X 25",2,2,2,2,2,2,,,,,,,,,,,,,  
43,1,,26116-160402,, "BOLT M16X 40 PLATED",2,2,2,2,2,2,,,,,,,,,,,,,  
44,1,,933171-29750,, "SHIM SET, PIN 38",2,2,2,2,2,2,,,,,,,,,,,,,  
45,1,,172122-86261,, "PIN, BUCKET",2,2,, ,2,2,,1,,,,,,,,,,,,,  
46,1,,22417-800500,, "COTTER PIN  
8.0X50",2,2,, ,2,2,,1,72168202,,72168202,,72168202,,72168202,,72168202,,72168202,  
,,I  
47,1,,24761-020000,, "NIPPLE PT1/8,GREASE",2,2,, ,2,2,,1,,,,,,,,,,,,,  
48,1,,933171-29751,, "SHIM SET, PIN 38",2,2,, ,2,2,,1,,,,,,,,,,,,,  
49,1,,172142-76620,, "RUBBER",1,1,1,1,1,1,,,,,,,,,,,,,

Fig. 62 ブーム & アーム  
BOOM & ARM

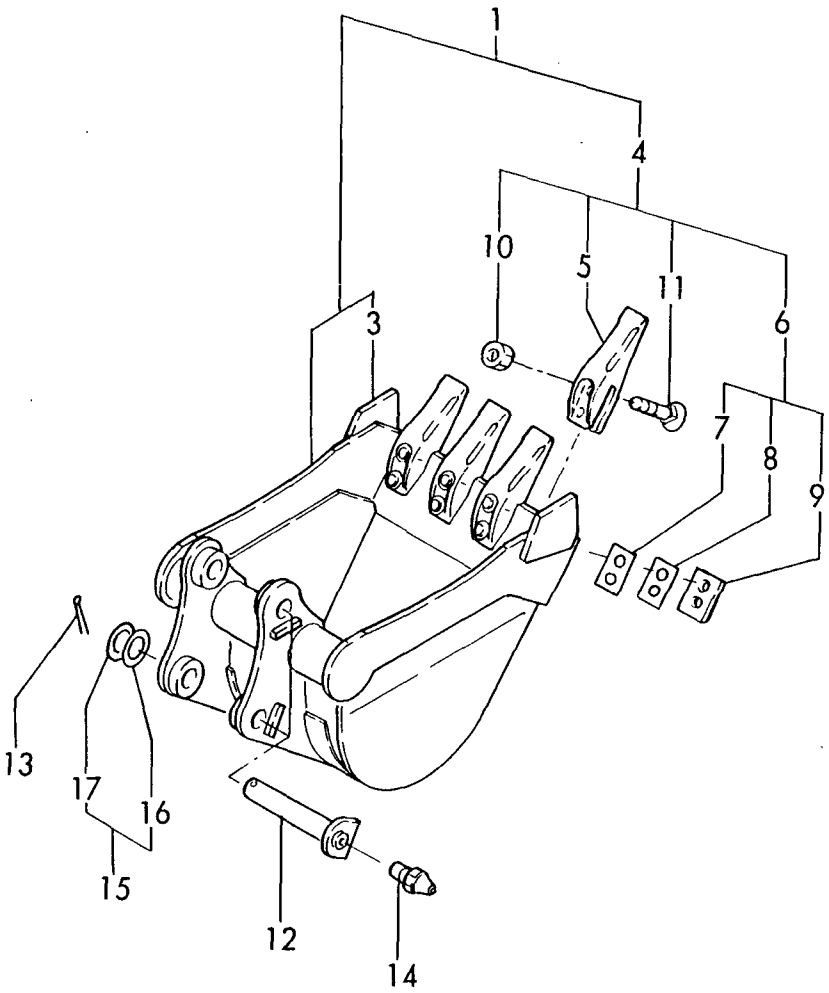


1,1,,772122-81401,, "BUCKET ASSY 450" ,,,1,1,,,,,,,,,,,,,  
3,2,,172116-86240,, "SIDE CUTTER, BUCKET" ,,,2,2,,,,,,,,,72168008,,72168008,,,,,,I  
4,2,,772122-86123,, "TEETH ASSY" ,,,4,4,,,,,,,,,,,,,  
5,3,,172113-86123,, TEETH ,,,4,4,,,,,,,,,,,,,  
6,3,,172137-86710,, "TEETH SHIM 17 SET" ,,,4,4,,,,,,,,,,,,,  
7,4,,172137-86720,, "TEETH SHIM T0.3" ,,,16,16,,,,,1,,,,,,,,,  
8,4,,172137-86730,, "TEETH SHIM T0.5" ,,,4,4,,,,,1,,,,,,,,,  
9,4,,172137-86740,, "TEETH SHIM T1.0" ,,,4,4,,,,,1,,,,,,,,,  
10,3,,172142-81390,, NUT ,,,8,8,,,,,,,,,,,,,  
11,3,,172142-81380,, BOLT ,,,8,8,,,,,,,,,,,,,  
12,1,,172122-86261,, "PIN, BUCKET" ,,,2,2,,,,,,,,,,,,,  
13,1,,22417-800500,, "COTTER PIN 8.0X50" ,,,2,2,,,,,,,,,,,,,  
14,1,,24761-020000,, "NIPPLE PT1/8,GREASE" ,,,2,2,,,,,,,,,,,,,  
15,1,,933171-29751,, "SHIM SET, PIN 38" ,,,2,2,,,,,,,,,,,,,  
16,2,,172122-86800,, "SHIM 38X0.8" ,,,2,2,,,,,,,,,,,,,  
17,2,,172122-86810,, "SHIM 38X1.2" ,,,2,2,,,,,,,,,,,,,

Fig. **63** バケット(450) (キユウガタ)  
 BUCKET (450) (PREVIOS TYPE)

COUNTRY	AY	UK	EP
Fig No.	-	62	-

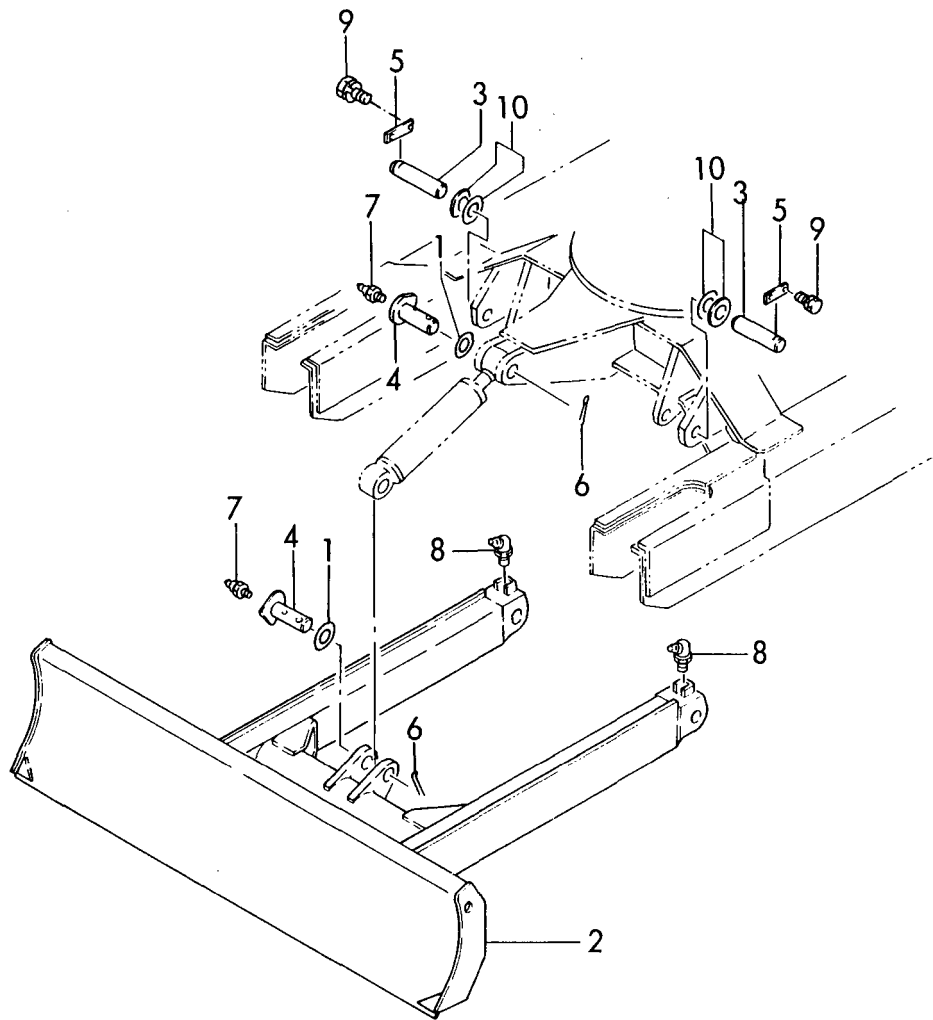
TO M/# 24458



1,1,,172112-87860,, "SHIM 40X1",2,2,2,2,2,2,,,,,,,,,,,,,  
2,1,,172142-94100,, "BLADE ASSY",1,1,1,1,1,1,,,,,,,,,,,,,  
3,1,,172142-94210,, "PIN 38X135",2,2,2,2,2,2,,,,,,,,,,,,,  
4,1,,172142-94240,, "PIN 40X96(B)",2,2,2,2,2,2,,,,,,,,,,,,,  
5,1,,172124-94310,, "PLATE, LOCK",2,2,2,2,2,2,,,,,,,,,,,,,  
6,1,,22417-800560,, "COTTER PIN 8.0X  
56",2,2,2,2,2,2,,72168202,,72168202,,72168202,,72168202,,72168202,,I  
7,1,,24761-020000,, "NIPPLE PT1/8,GREASE",2,2,2,2,2,2,,,,,,,,,,,,,  
8,1,,24761-040000,, "NIPPLE B,GREASE",2,2,2,2,2,2,,,,,,,,,,,,,  
9,1,,26013-100252,, "BOLT M10X 25",4,4,4,4,4,4,,,,,,,,,,,,,  
10,1,,933171-29750,, "SHIM SET, PIN 38",2,2,2,2,2,2,,,,,,,,,,,,,



Fig. 64 ブレード  
BLADE



Y00S2891,"Construction equipment",Excavator,B  
[Info]  
PcNo=Y00S2891  
PcName=B27(EUROPE)  
JpnUse=0  
JpnSec1=  
JpnSec2=  
JpnSec3=  
JpnPreface=0  
EngUse=1  
EngSec1=CONSTRUCTION  
EngSec2=EXCAVATOR (B)  
EngSec3=B  
EngPreface=1

0,Y00S2891

1,001,, "VEHICLE B27"  
2,1,, "LABEL (CABIN SPEC.)", "B27-C(R) AY", "B27-P(R) AY", "B27-C(R) UK", "B27-P(R) UK", "B27-C(R) EP", "B27-P(R) EP"  
2,2,, "LABEL(CABIN SPEC.)", "B27-C(R) AY", "B27-P(R) AY", "B27-C(R) UK", "B27-P(R) UK", "B27-CR UK(EP", "B27-P(R) EP"  
2,3,, "LABEL (CANOPY SPEC.)", "B27-C(R) AY", "B27-P(R) AY", "B27-C(R) UK", "B27-P(R) UK", "B27-C(R) EP", "B27-P(R) EP"  
2,4,, "LABEL(CANOPY SPEC.)", "B27-C(R) AY", "B27-P(R) AY", "B27-C(R) UK", "B27-P(R) UK", "B27-C(R) EP", "B27-PR UK(EP"  
2,5,, "LABEL(UK REMODELING)OPTIONAL", "B27-C(R) AY", "B27-P(R) AY", "B27-C(R) UK", "B27-P(R) UK", "B27-C(R) EP", "B27-P(R) EP"  
2,6,, "TOOL,TOOLS BOX & MANUAL CASE", "B27-C(R) AY", "B27-P(R) AY", "B27-C(R) UK", "B27-P(R) UK", "B27-C(R) EP", "B27-P(R) EP"  
2,7,, "MUFFLER", "B27-C(R) AY", "B27-P(R) AY", "B27-C(R) UK", "B27-P(R) UK", "B27-C(R) EP", "B27-P(R) EP"  
2,8,, "AIR CLEANER", "B27-C(R) AY", "B27-P(R) AY", "B27-C(R) UK", "B27-P(R) UK", "B27-C(R) EP", "B27-P(R) EP"  
2,9,, "ACCELERATOR", "B27-C(R) AY", "B27-P(R) AY", "B27-C(R) UK", "B27-P(R) UK", "B27-C(R) EP", "B27-P(R) EP"  
2,10,, "ENGINE MOUNT", "B27-C(R) AY", "B27-P(R) AY", "B27-C(R) UK", "B27-P(R) UK", "B27-C(R) EP", "B27-P(R) EP"  
2,11,, "RADIATOR & MOUNT", "B27-C(R) AY", "B27-P(R) AY", "B27-C(R) UK", "B27-P(R) UK", "B27-C(R) EP", "B27-P(R) EP"  
2,12,, "FUEL TANK & FUEL LINE", "B27-C(R) AY", "B27-P(R) AY", "B27-C(R) UK", "B27-P(R) UK", "B27-C(R) EP", "B27-P(R) EP"  
2,13,, "BATTERY", "B27-C(R) AY", "B27-P(R) AY", "B27-C(R) UK", "B27-P(R) UK", "B27-C(R) EP", "B27-P(R) EP"  
2,14,, "ELECTRIC PART(CABIN SPEC.)", "B27-C(R) AY", "B27-P(R) AY", "B27-C(R) UK", "B27-P(R) UK", "B27-C(R) EP", "B27-P(R) EP"  
2,15,, "ELECTRIC PART(CANOPY SPEC.)", "B27-C(R) AY", "B27-P(R) AY", "B27-C(R) UK", "B27-P(R) UK", "B27-C(R) EP", "B27-P(R) EP"  
2,16,, "WORK LAMP", "B27-C(R) AY", "B27-P(R) AY", "B27-C(R) UK", "B27-P(R) UK", "B27-C(R) EP", "B27-P(R) EP"  
2,17,, "HEATER & DEFROSTER", "B27-C(R) AY", "B27-P(R) AY", "B27-C(R) UK", "B27-P(R) UK", "B27-C(R) EP", "B27-P(R) EP"  
2,18,, "RADIO (SWISS SPEC.)", "B27-C(R) AY", "B27-P(R) AY", "B27-C(R) UK", "B27-P(R) UK", "B27-C(R) EP", "B27-P(R) EP"  
2,19,, "ROLLER & ADJUST", "B27-C(R) AY", "B27-P(R) AY", "B27-C(R) UK", "B27-P(R) UK", "B27-C(R) EP", "B27-P(R) EP"  
2,20,, "CRAWLER (320)", "B27-C(R) AY", "B27-P(R) AY", "B27-C(R) UK", "B27-P(R) UK", "B27-C(R) EP", "B27-P(R) EP"  
2,21,, "LINK STAND", "B27-C(R) AY", "B27-P(R) AY", "B27-C(R) UK", "B27-P(R) UK", "B27-C(R) EP", "B27-P(R) EP"  
2,22,, "CONTROL EQUIPME.(BOOM & BUCKET", "B27-C(R) AY", "B27-P(R) AY", "B27-C(R) UK", "B27-P(R) UK", "B27-C(R) EP", "B27-P(R) EP"  
2,23,, "CONTROL EQUIPME.(ARM & TURNING", "B27-C(R) AY", "B27-P(R) AY", "B27-C(R) UK", "B27-P(R) UK", "B27-C(R) EP", "B27-P(R) EP"  
2,24,, "CONTROL EQUIPME.(DRIVE & SWING", "B27-C(R) AY", "B27-P(R) AY", "B27-C(R) UK", "B27-P(R) UK", "B27-C(R) EP", "B27-P(R) EP"  
2,25,, "CONTROL EQUIPMENT (BLADE)", "B27-C(R) AY", "B27-P(R) AY", "B27-C(R) UK", "B27-P(R) UK", "B27-C(R) EP", "B27-P(R) EP"  
2,26,, "CONTROL EQUIPMENT(3RD VALVE)", "B27-C(R) AY", "B27-P(R) AY", "B27-C(R) UK", "B27-P(R) UK", "B27-C(R) EP", "B27-P(R) EP"  
2,27,, "OPERATION LEVER STOPPER", "B27-C(R) AY", "B27-P(R) AY", "B27-C(R) UK", "B27-P(R) UK", "B27-C(R) EP", "B27-P(R) EP"  
2,28,, "FRAME", "B27-C(R) AY", "B27-P(R) AY", "B27-C(R) UK", "B27-P(R) UK", "B27-C(R) EP", "B27-P(R) EP"  
2,29,, "TURNING BEARING & TURNING LOCK", "B27-C(R) AY", "B27-P(R) AY", "B27-C(R) UK", "B27-P(R) UK", "B27-C(R) EP", "B27-P(R) EP"  
2,30,, "FRAME COVER", "B27-C(R) AY", "B27-P(R) AY", "B27-C(R) UK", "B27-P(R) UK", "B27-C(R) EP", "B27-P(R) EP"

2,31,, "STEP, INSTRUMENT PANEL & SEAT", "B27-C(R) AY", "B27-P(R) AY", "B27-C(R) UK", "B27-P(R) UK", "B27-C(R) EP", "B27-P(R) EP"  
2,32,, "BONNET", "B27-C(R) AY", "B27-P(R) AY", "B27-C(R) UK", "B27-P(R) UK", "B27-C(R) EP", "B27-P(R) EP"  
2,33,, "CANOPY", "B27-C(R) AY", "B27-P(R) AY", "B27-C(R) UK", "B27-P(R) UK", "B27-C(R) EP", "B27-P(R) EP"  
2,34,, "CABIN", "B27-C(R) AY", "B27-P(R) AY", "B27-C(R) UK", "B27-P(R) UK", "B27-C(R) EP", "B27-P(R) EP"  
2,35,, "BOOM CYLINDER(UA) (CABINE SPEC.)", "B27-C(R) AY", "B27-P(R) AY", "B27-C(R) UK", "B27-P(R) UK", "B27-C(R) EP", "B27-P(R) EP"  
2,36,, "BOOM CYLINDER(UZ) (CANOPY SPEC.)", "B27-C(R) AY", "B27-P(R) AY", "B27-C(R) UK", "B27-P(R) UK", "B27-C(R) EP", "B27-P(R) EP"  
2,37,, "ARM CYLINDER", "B27-C(R) AY", "B27-P(R) AY", "B27-C(R) UK", "B27-P(R) UK", "B27-C(R) EP", "B27-P(R) EP"  
2,38,, "BUCKET CYLINDER", "B27-C(R) AY", "B27-P(R) AY", "B27-C(R) UK", "B27-P(R) UK", "B27-C(R) EP", "B27-P(R) EP"  
2,39,, "SWING CYLINDER", "B27-C(R) AY", "B27-P(R) AY", "B27-C(R) UK", "B27-P(R) UK", "B27-C(R) EP", "B27-P(R) EP"  
2,40,, "BLADE CYLINDER", "B27-C(R) AY", "B27-P(R) AY", "B27-C(R) UK", "B27-P(R) UK", "B27-C(R) EP", "B27-P(R) EP"  
2,41,, "HYD.OIL PUMP & JOINT", "B27-C(R) AY", "B27-P(R) AY", "B27-C(R) UK", "B27-P(R) UK", "B27-C(R) EP", "B27-P(R) EP"  
2,42,, "DRIVING MOTOR", "B27-C(R) AY", "B27-P(R) AY", "B27-C(R) UK", "B27-P(R) UK", "B27-C(R) EP", "B27-P(R) EP"  
2,43,, "TURNING MOTOR", "B27-C(R) AY", "B27-P(R) AY", "B27-C(R) UK", "B27-P(R) UK", "B27-C(R) EP", "B27-P(R) EP"  
2,44,, "SWIVEL JOINT", "B27-C(R) AY", "B27-P(R) AY", "B27-C(R) UK", "B27-P(R) UK", "B27-C(R) EP", "B27-P(R) EP"  
2,45,, "CONTROL VALVE(P PORT)", "B27-C(R) AY", "B27-P(R) AY", "B27-C(R) UK", "B27-P(R) UK", "B27-C(R) EP", "B27-P(R) EP"  
2,46,, "CONTROL VALVE(DRIVING)", "B27-C(R) AY", "B27-P(R) AY", "B27-C(R) UK", "B27-P(R) UK", "B27-C(R) EP", "B27-P(R) EP"  
2,47,, "CONTROL VALVE(ARM & SWING)", "B27-C(R) AY", "B27-P(R) AY", "B27-C(R) UK", "B27-P(R) UK", "B27-C(R) EP", "B27-P(R) EP"  
2,48,, "CONTROL VALVE(BOOM & BUCKET)", "B27-C(R) AY", "B27-P(R) AY", "B27-C(R) UK", "B27-P(R) UK", "B27-C(R) EP", "B27-P(R) EP"  
2,49,, "CONTROL VALVE(TURNING & BLADE)", "B27-C(R) AY", "B27-P(R) AY", "B27-C(R) UK", "B27-P(R) UK", "B27-C(R) EP", "B27-P(R) EP"  
2,50,, "TURNING BRAKE VALVE", "B27-C(R) AY", "B27-P(R) AY", "B27-C(R) UK", "B27-P(R) UK", "B27-C(R) EP", "B27-P(R) EP"  
2,51,, "3RD VALVE (VALVE)", "B27-C(R) AY", "B27-P(R) AY", "B27-C(R) UK", "B27-P(R) UK", "B27-C(R) EP", "B27-P(R) EP"  
2,52,, "HYD.OIL TANK", "B27-C(R) AY", "B27-P(R) AY", "B27-C(R) UK", "B27-P(R) UK", "B27-C(R) EP", "B27-P(R) EP"  
2,53,, "HYD.OIL PIPING (T-P-V)", "B27-C(R) AY", "B27-P(R) AY", "B27-C(R) UK", "B27-P(R) UK", "B27-C(R) EP", "B27-P(R) EP"  
2,54,, "HYD.OIL PIPING(V-M,B)", "B27-C(R) AY", "B27-P(R) AY", "B27-C(R) UK", "B27-P(R) UK", "B27-C(R) EP", "B27-P(R) EP"  
2,55,, "HYD.OIL PIPING (VALVE-SWIVEL)", "B27-C(R) AY", "B27-P(R) AY", "B27-C(R) UK", "B27-P(R) UK", "B27-C(R) EP", "B27-P(R) EP"  
2,56,, "HYD.OIL PIPING(RETURN)", "B27-C(R) AY", "B27-P(R) AY", "B27-C(R) UK", "B27-P(R) UK", "B27-C(R) EP", "B27-P(R) EP"  
2,57,, "HYD.OIL PIPING(TRACK FRAME)", "B27-C(R) AY", "B27-P(R) AY", "B27-C(R) UK", "B27-P(R) UK", "B27-C(R) EP", "B27-P(R) EP"  
2,58,, "HYD.OIL PIPING(BOOM)", "B27-C(R) AY", "B27-P(R) AY", "B27-C(R) UK", "B27-P(R) UK", "B27-C(R) EP", "B27-P(R) EP"  
2,59,, "HYD.OIL PIPING(3RD VALVE,FRAME)", "B27-C(R) AY", "B27-P(R) AY", "B27-C(R) UK", "B27-P(R) UK", "B27-C(R) EP", "B27-P(R) EP"  
2,60,, "HYD.OIL PIPING(3RD VALVE BOOM)", "B27-C(R) AY", "B27-P(R) AY", "B27-C(R) UK", "B27-P(R) UK", "B27-C(R) EP", "B27-P(R) EP"  
2,61,, "GREASING", "B27-C(R) AY", "B27-P(R) AY", "B27-C(R) UK", "B27-P(R) UK", "B27-C(R) EP", "B27-P(R) EP"

2,62,, "BOOM & ARM", "B27-C(R) AY", "B27-P(R) AY", "B27-C(R) UK", "B27-P(R) UK", "B27-C(R) EP", "B27-P(R) EP"  
2,63,, "BUCKET(450)", "B27-C(R) AY", "B27-P(R) AY", "B27-C(R) UK", "B27-P(R) UK", "B27-C(R) EP", "B27-P(R) EP"  
2,64,, "BLADE", "B27-C(R) AY", "B27-P(R) AY", "B27-C(R) UK", "B27-P(R) UK", "B27-C(R) EP", "B27-P(R) EP"