

PREFACE

1. This parts catalog covers the parts of clawler back-hoe Model B27-2A for AMMANN YANMAR.

Issue No. : 000Y00S3480

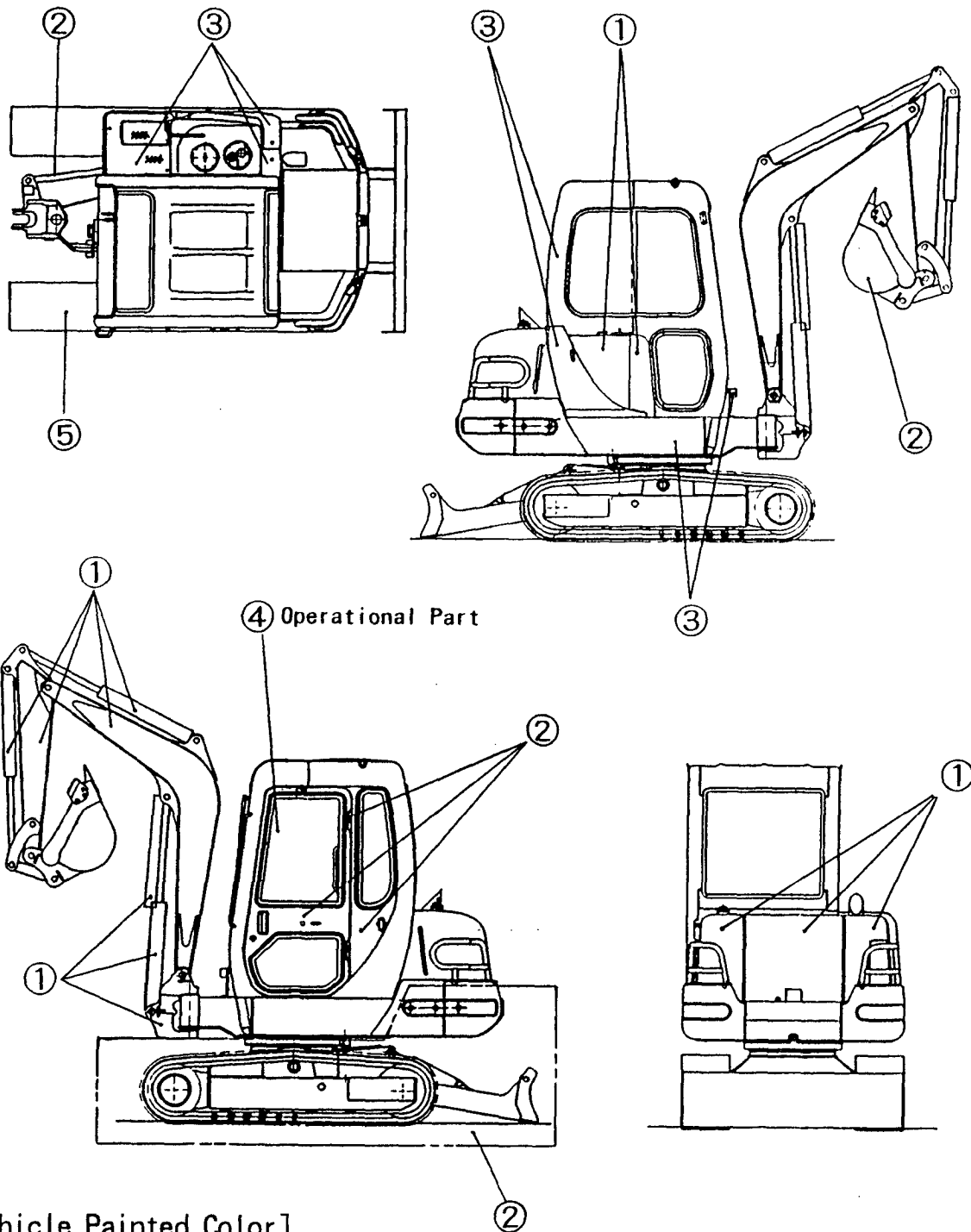
Date of Issue : Feb., 1995

2. The mounted engine of B27-2A is 3TNE82A-B1.

3. Model Neme

Model	Column	Column Name	Code
B27-2A-CR-AY-1	(A)	B27-2A C AY	172184E
B27-2A-C-AY-1	(A)	B27-2A C AY	172184G
B27-2A-PR-AY-1	(B)	B27-2A P AY	172184F
B27-2A-P-AY-1	(B)	B27-2A P AY	172184H

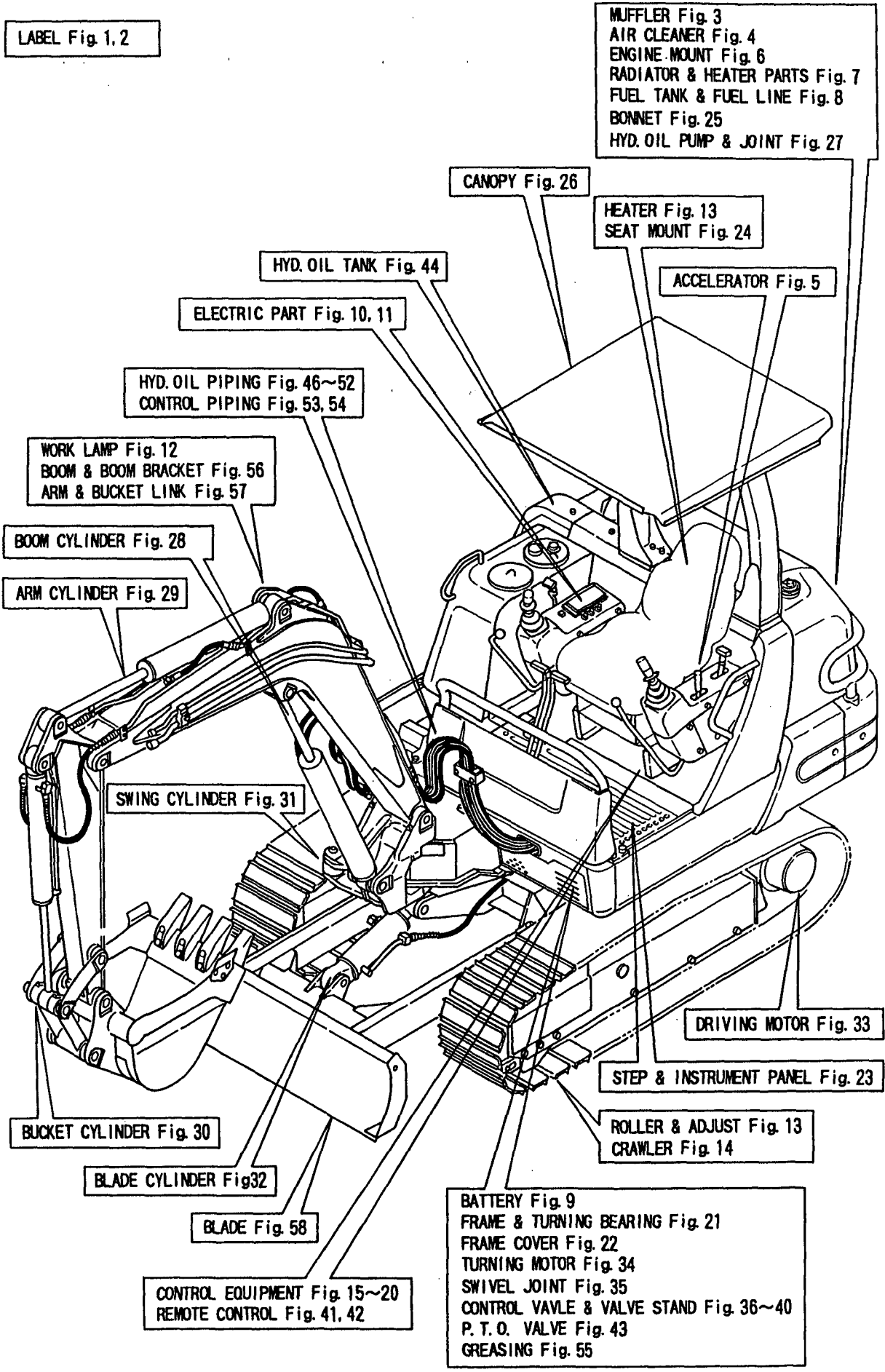
TABLE OF PAINTED COLOR



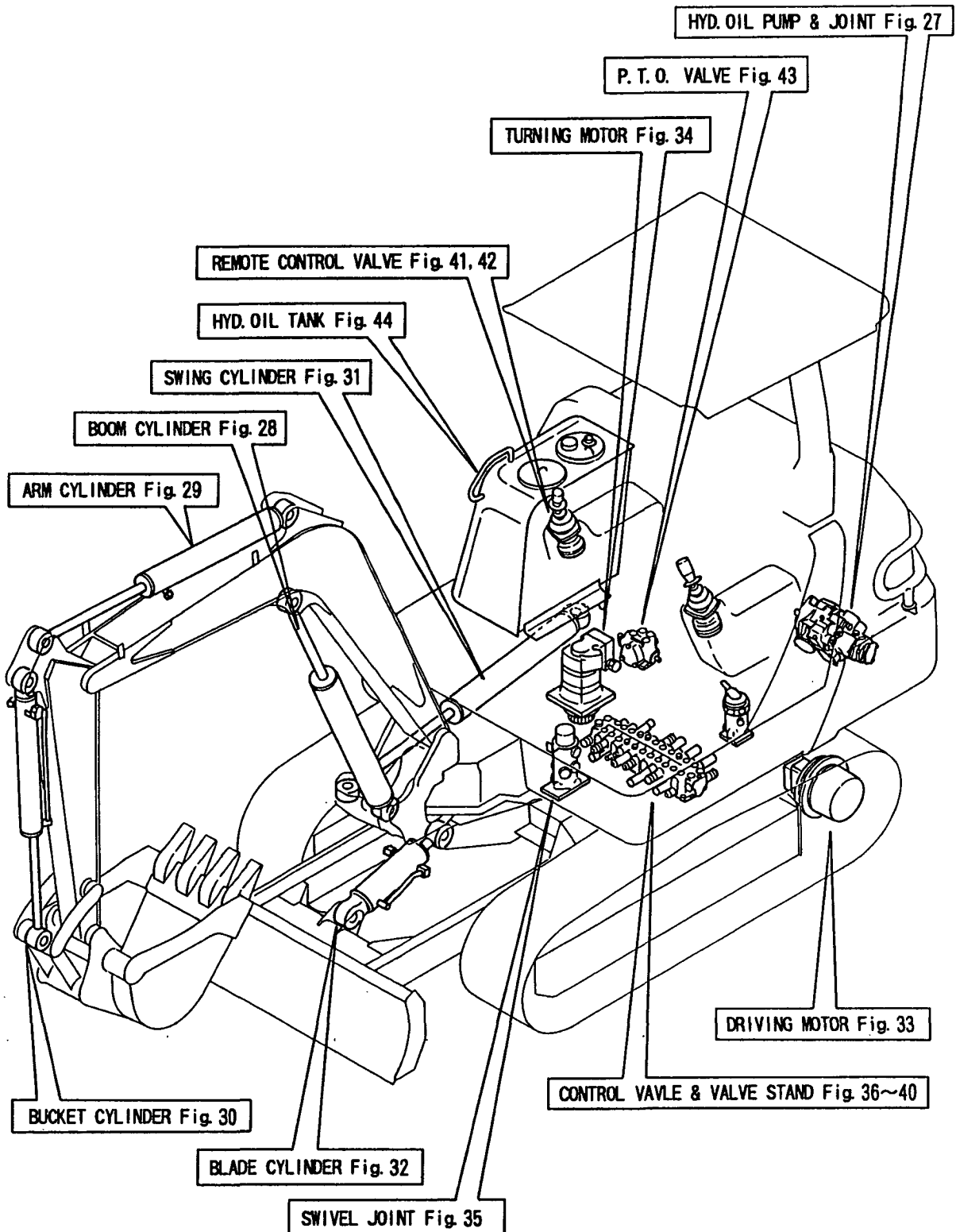
[Vehicle Painted Color]

Part	Paint color	Munsell No.	16L Can	Spray
①	YANMAR New Permanent Yellow	5. 2Y8. 5/11	981101-09519	977620-30871
②	YANMAR New Deep Green	0. 6B2. 2/4. 2	981101-09588	977620-30881
③	YANMAR New Grayish Green	2. 9Bg4. 8/3. 0	981101-09616	977620-30861
④	YANMAR Dark Olive Gray	5. 39Y2. 97/0. 78	---	TOR-90460003
⑤	YANMAR Charcoal Gray	N2	981101-09516	977620-30371

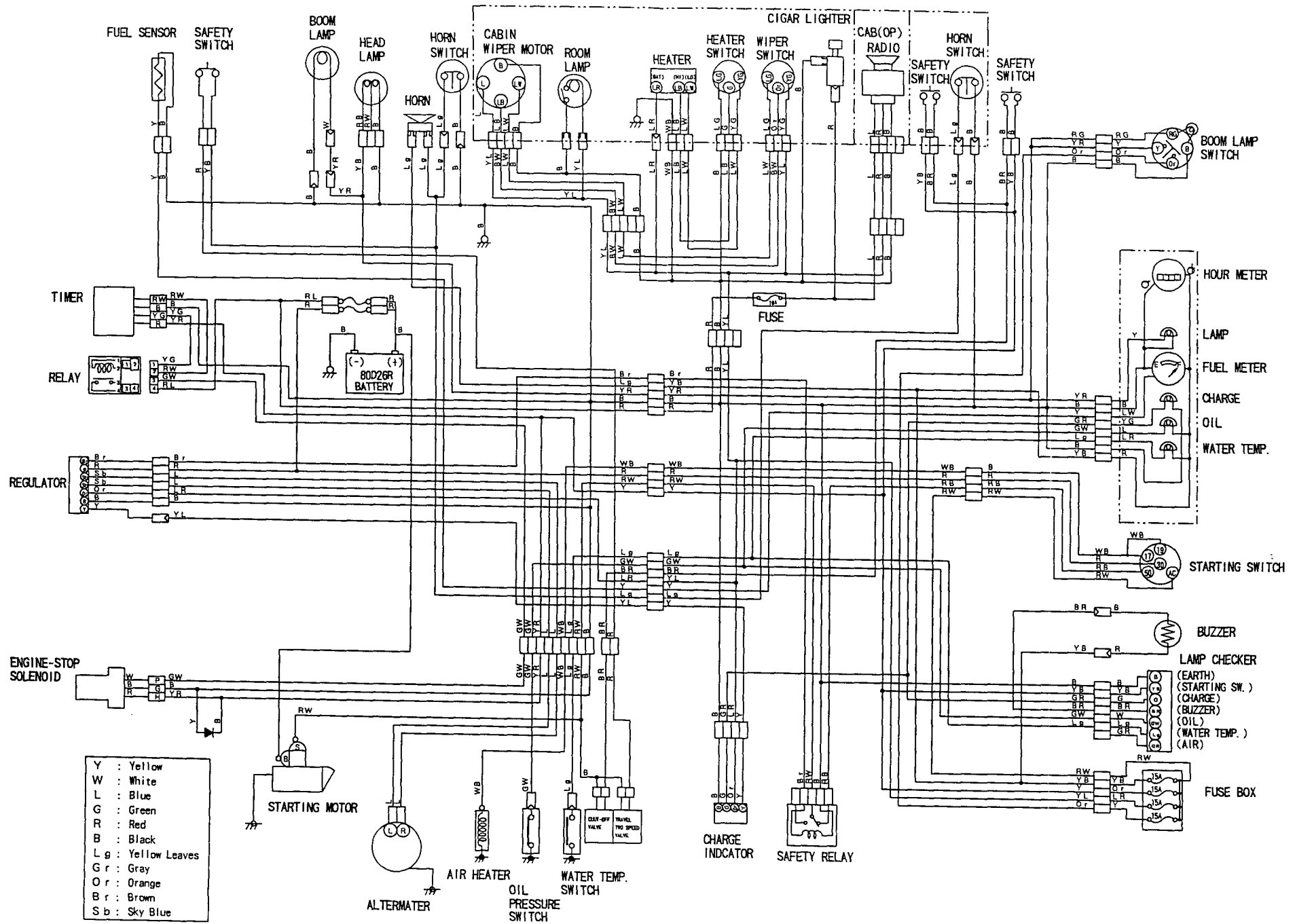
PICTURESQUE INDEX(1) . . . MAIN PARTS



PECTURESQUE INDEX(2) • • • HYDRAULIC SECTION

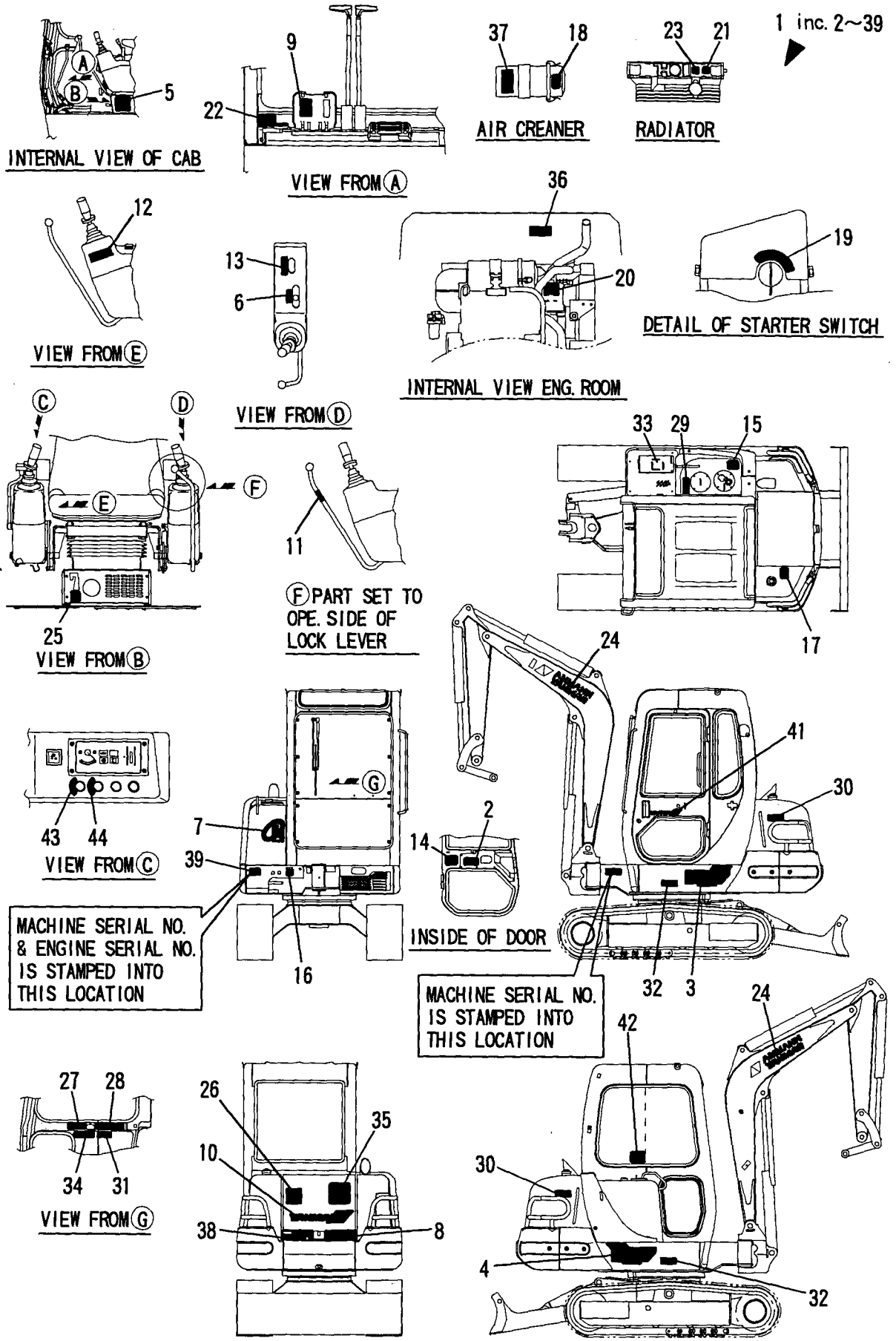


WIRING DIAGRAM



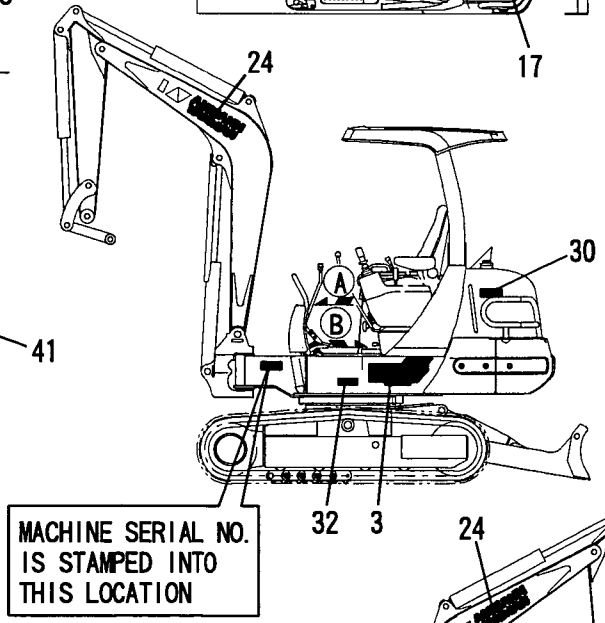
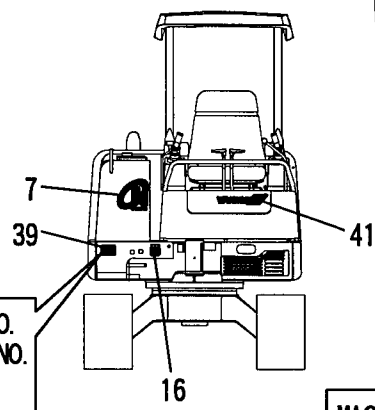
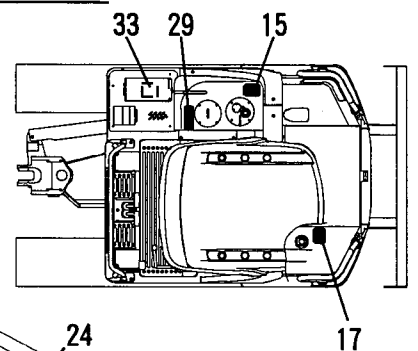
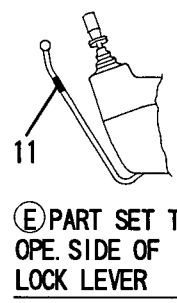
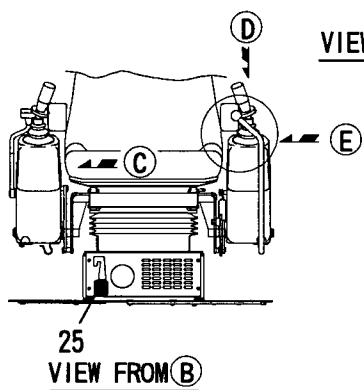
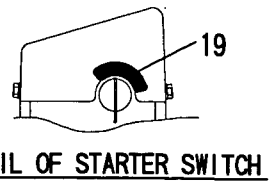
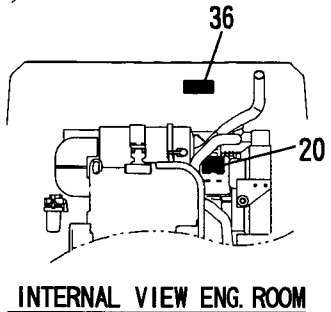
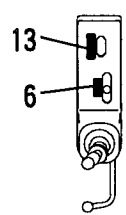
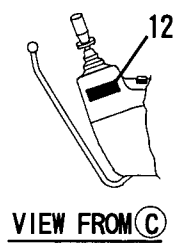
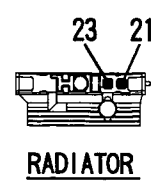
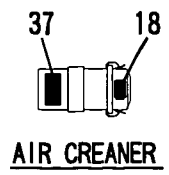
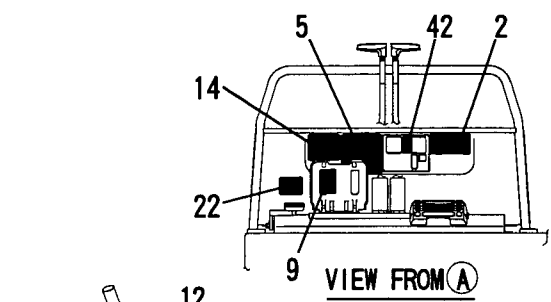
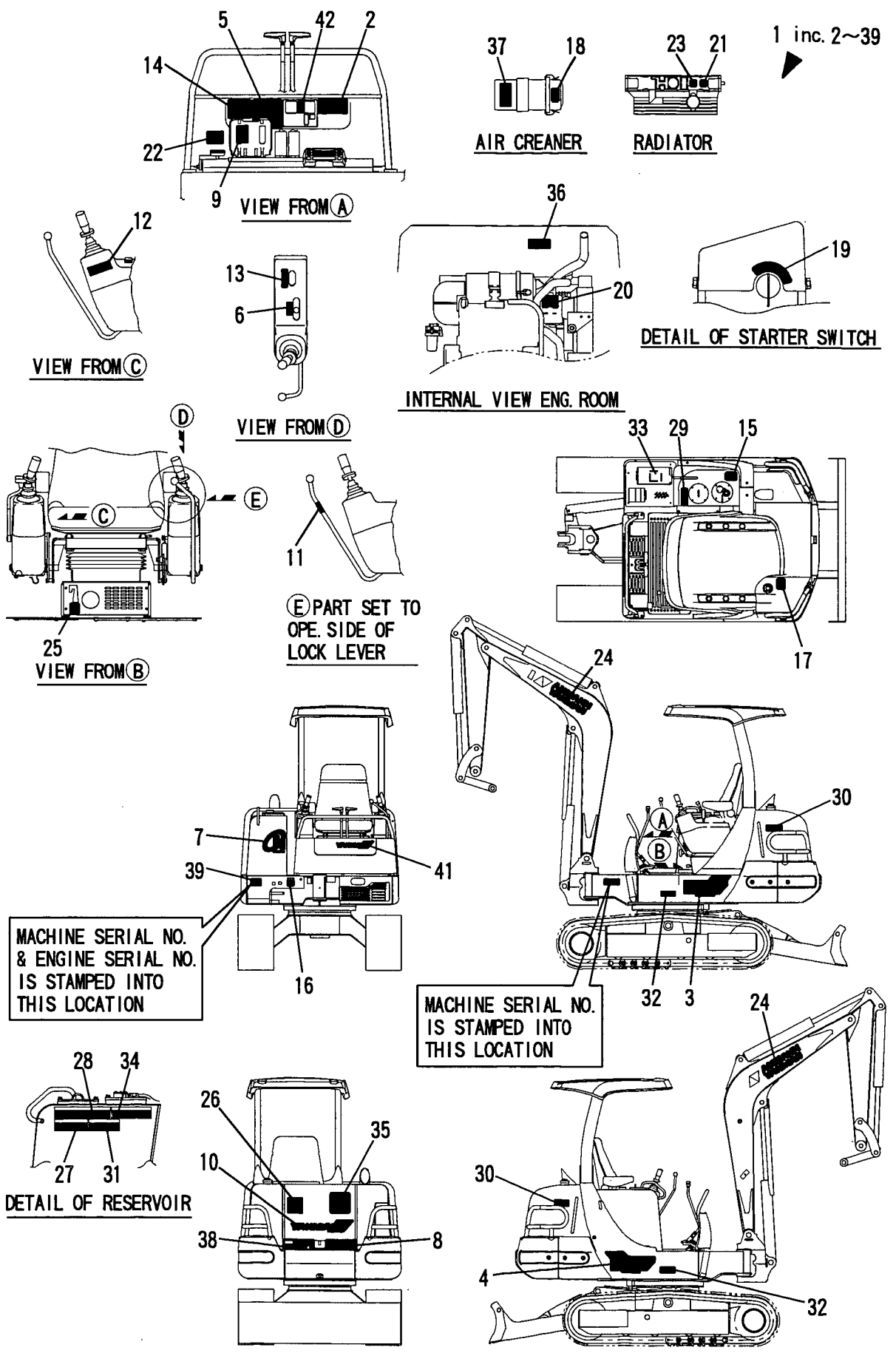
1,1,,772184-03100,, "LABEL SET",1,,,,,,,,,,,,,,,,,,,,,
2,2,,172184-03130,, LABEL,1,,,,,,,,,,,,,,,,,,,,,
3,2,,172184-03150,, "LABEL, B27 L",1,,,,,,,,,,,,,,,,,,,,,
4,2,,172184-03160,, "LABEL, B27 R",1,,,,,,,,,,,,,,,,,,,,,
5,2,,172184-03180,, LABEL,1,,,,,,,,,,,,,,,,,,,,,
6,2,,172174-03190,, "LABEL,ACCELERATOR",1,,,,,,,,,,,,,,,,,,,,,
7,2,,172174-03240,, LABEL,1,,,,,,,,,,,,,,,,,,,,,
8,2,,172174-03250,, LABEL,1,,,,,,,,,,,,,,,,,,,,,
9,2,,172174-03270,, "LABEL, P.T.O.",1,,,,,,,,,,,,,,,,,,,,,
10,2,,172174-03280,, "LABEL,REAR",1,,,,,,,,,,,,,,,,,,,,,
11,2,,172184-03280,, "LABEL, LOCK",1,,,,,,,,,,,,,,,,,,,,,
12,2,,172159-03290,, LABEL,1,,,,,,,,,,,,,,,,,,,,,
13,2,,172174-03300,, "LABEL, SELECT",1,,,,,,,,,,,,,,,,,,,,,
14,2,,172174-03330,, "LABEL,GREASE FEED",1,,,,,,,,,,,,,,,,,,,,,
15,2,,172159-03340,, "LABEL, OIL FEED",1,,,,,,,,,,,,,,,,,,,,,
16,2,,172174-03340,, "LABEL, GREASE",1,,,,,,,,,,,,,,,,,,,,,
17,2,,172159-03350,, "LABEL, FUEL",1,,,,,,,,,,,,,,,,,,,,,
18,2,,172159-03360,, "LABEL, AIR CLEANER",1,,,,,,,,,,,,,,,,,,,,,
19,2,,172161-03360,, "LABEL,STARTER SWITCH",1,,,,,,,,,,,,,,,,,,,,,
20,2,,172159-03370,, "LABEL, SUBTANK",1,,,,,,,,,,,,,,,,,,,,,
21,2,,172159-03380,, "LABEL, RADITATER",1,,,,,,,,,,,,,,,,,,,,,
22,2,,172174-03380,, LABEL,1,,,,,,,,,,,,,,,,,,,,,
23,2,,172159-03390,, "LABEL, ANTI-FREEZING",1,,,,,,,,,,,,,,,,,,,,,
24,2,,172161-03450,, "LABEL AY,BOOM",2,,,,,,,,,,,,,,,,,,,,,
25,2,,172159-03551,, "LABEL, TURNING LOCK",1,,,,,,,,,,,,,,,,,,,,,
26,2,,172174-03570,, "LABEL,DANGER",1,,,,,,,,,,,,,,,,,,,,,
27,2,,172174-03600,, LABEL,1,,,,,,,,,,,,,,,,,,,,,
28,2,,172174-03610,, "LABEL,CONTACT",1,,,,,,,,,,,,,,,,,,,,,
29,2,,172174-03620,, LABEL,1,,,,,,,,,,,,,,,,,,,,,
30,2,,172174-03630,, LABEL,2,,,,,,,,,,,,,,,,,,,,,
31,2,,172174-03640,, "LABEL,TRANSPORT",1,,,,,,,,,,,,,,,,,,,,,
32,2,,172174-03650,, "LABEL,GREASE CYL.",2,,,,,,,,,,,,,,,,,,,,,
33,2,,172174-03660,, "LABEL,CABLE",1,,,,,,,,,,,,,,,,,,,,,
34,2,,172174-03670,, "LABEL,NEUTRAL",1,,,,,,,,,,,,,,,,,,,,,
35,2,,172174-03680,, "LABEL,SWING AREA",1,,,,,,,,,,,,,,,,,,,,,
36,2,,172174-03690,, "LABEL,RADIATOR",1,,,,,,,,,,,,,,,,,,,,,
37,2,,172174-03700,, LABEL,1,,,,,,,,,,,,,,,,,,,,,
38,2,,172174-03710,, LABEL,1,,,,,,,,,,,,,,,,,,,,,
39,2,,22857-300050,, "SCREW 3X 5",4,,,,,,,,,,,,,,,,,,,,,
41,1,,172174-03290,, "LABEL,CAB",1,,,,,,,,,,,,,,,,,,,,,
42,1,,172174-03360,, "LABEL,PATTERN A",1,,,,,,,,,,,,,,,,,,,,,
43,1,,172174-03550,, "LABEL,HEATER SWITCH",1,,,,,,,,,,,,,,,,,,,,,
44,1,,172174-03560,, "LABEL,WIPER SWITCH",1,,,,,,,,,,,,,,,,,,,,,

Fig. 1 LABEL (CABIN)

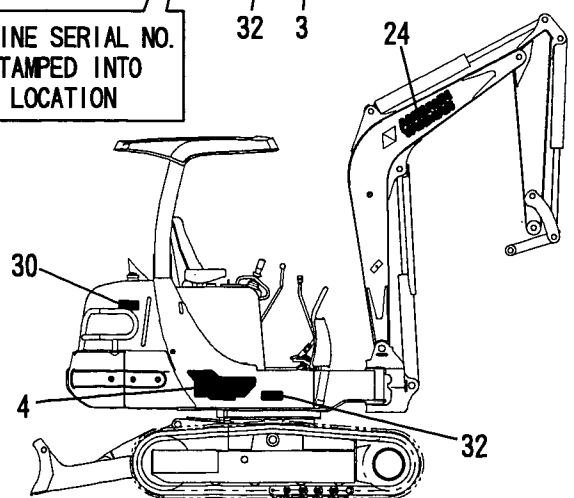
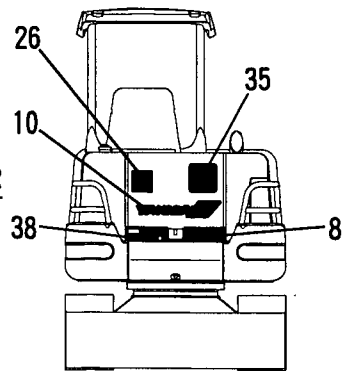
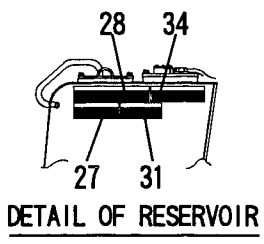


1,1,,	772184-03100,,	"LABEL SET",,1,,			
2,2,,	172184-03130,,	LABEL,,1,,			
3,2,,	172184-03150,,	"LABEL, B27 L",,1,,			
4,2,,	172184-03160,,	"LABEL, B27 R",,1,,			
5,2,,	172184-03180,,	LABEL,,1,,			
6,2,,	172174-03190,,	"LABEL,ACCELERATOR",,1,,			
7,2,,	172174-03240,,	LABEL,,1,,			
8,2,,	172174-03250,,	LABEL,,1,,			
9,2,,	172174-03270,,	"LABEL, P.T.O.",,1,,			
10,2,,	172174-03280,,	"LABEL,REAR",,1,,			
11,2,,	172184-03280,,	"LABEL, LOCK",,2,,			
12,2,,	172159-03290,,	LABEL,,1,,			
13,2,,	172174-03300,,	"LABEL, SELECT",,1,,			
14,2,,	172174-03330,,	"LABEL,GREASE FEED",,1,,			
15,2,,	172159-03340,,	"LABEL, OIL FEED",,1,,			
16,2,,	172174-03340,,	"LABEL, GREASE",,1,,			
17,2,,	172159-03350,,	"LABEL, FUEL",,1,,			
18,2,,	172159-03360,,	"LABEL, AIR CLEANER",,1,,			
19,2,,	172161-03360,,	"LABEL,STARTER SWITCH",,1,,			
20,2,,	172159-03370,,	"LABEL, SUBTANK",,1,,			
21,2,,	172159-03380,,	"LABEL, RADITATER",,1,,			
22,2,,	172174-03380,,	LABEL,,1,,			
23,2,,	172159-03390,,	"LABEL, ANTI-FREEZING",,1,,			
24,2,,	172161-03450,,	"LABEL AY,BOOM",,2,,			
25,2,,	172159-03551,,	"LABEL, TURNING LOCK",,1,,			
26,2,,	172174-03570,,	"LABEL,DANGER",,1,,			
27,2,,	172174-03600,,	LABEL,,1,,			
28,2,,	172174-03610,,	"LABEL,CONTACT",,1,,			
29,2,,	172174-03620,,	LABEL,,1,,			
30,2,,	172174-03630,,	LABEL,,2,,			
31,2,,	172174-03640,,	"LABEL,TRANSPORT",,1,,			
32,2,,	172174-03650,,	"LABEL,GREASE CYL.",,2,,			
33,2,,	172174-03660,,	"LABEL,CABLE",,1,,			
34,2,,	172174-03670,,	"LABEL,NEUTRAL",,1,,			
35,2,,	172174-03680,,	"LABEL,SWING AREA",,1,,			
36,2,,	172174-03690,,	"LABEL,RADIATOR",,1,,			
37,2,,	172174-03700,,	LABEL,,1,,			
38,2,,	172174-03710,,	LABEL,,1,,			
39,2,,	22857-300050,,	"SCREW 3X 5",,4,,			
41,1,,	172174-03140,,	"LABEL,FRONT",,1,,			
42,1,,	172174-03370,,	"LABEL,PATTERN A",,1,,			

Fig. 2 LABEL(CANOPY)

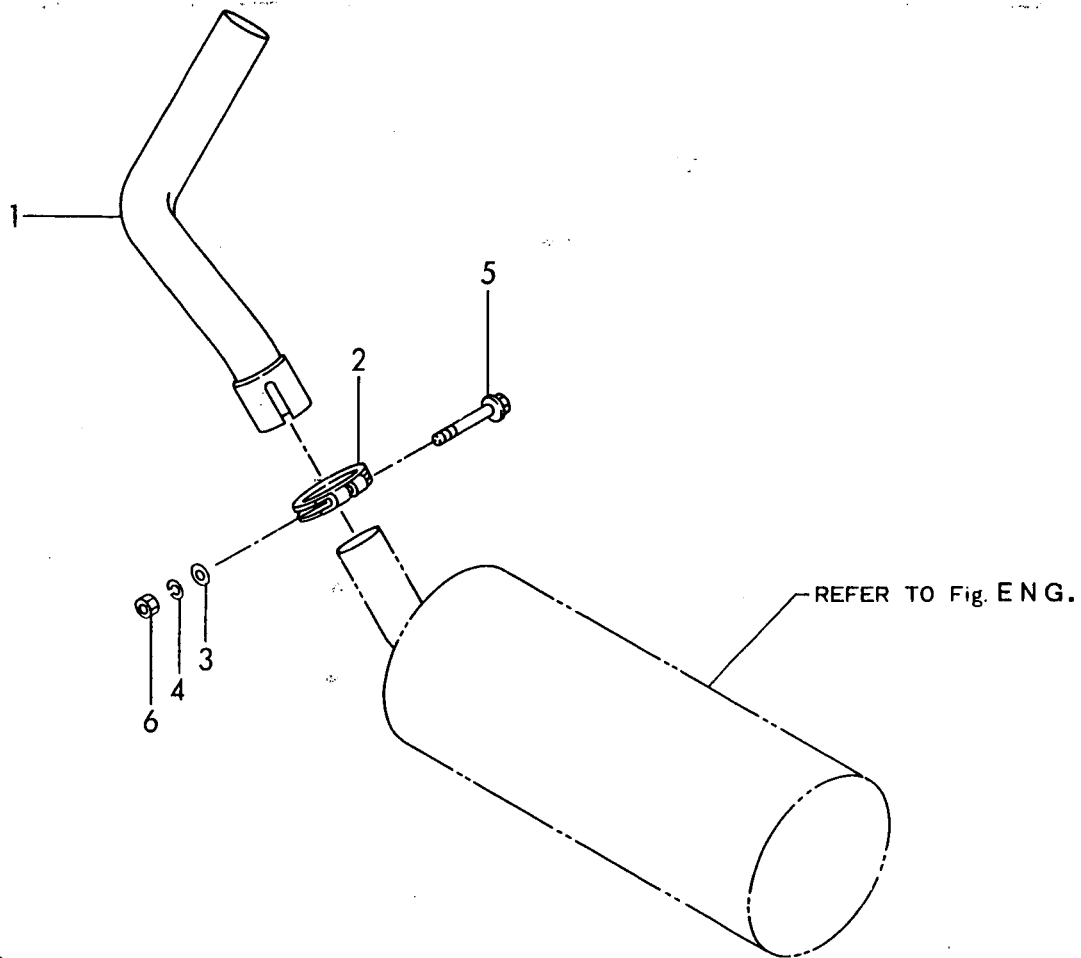


MACHINE SERIAL NO. & ENGINE SERIAL NO. IS STAMPED INTO THIS LOCATION



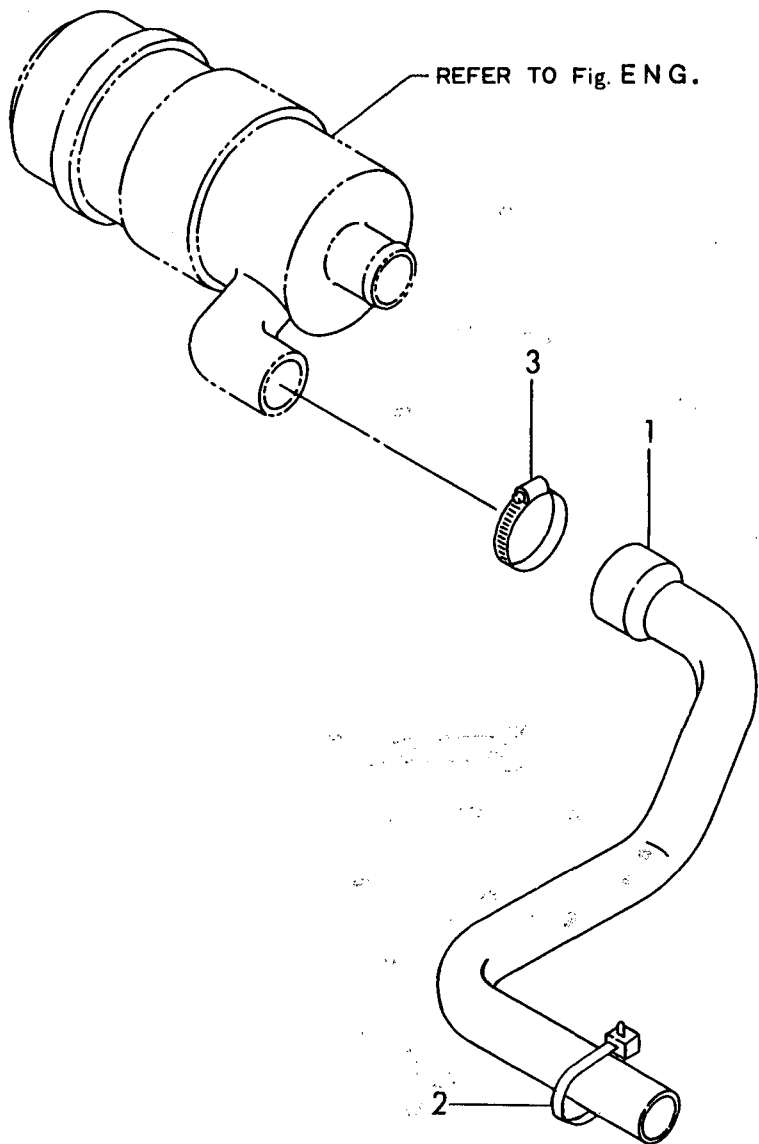
1,1,,172184-11300,, "PIPE, EXH.EXTENTION",1,1,,,,,,,,,,,,,,,,,,,,,
2,1,,172168-11310,, CLAMP,1,1,,,,,,,,,,,,,,,,,,,,,
3,1,,22117-080000,, "WASHER 8",1,1,,,,,,,,,,,,,,,,,,,,,
4,1,,22217-080000,, "SPRING WASHER 8",1,1,,,,,,,,,,,,,,,,,,,,,
5,1,,26106-080552,, "BOLT M 8X 55 PLATED",1,1,,,,,,,,,,,,,,,,,,,,,
6,1,,26706-080002,, "NUT M 8",1,1,,,,,,,,,,,,,,,,,,,,,

Fig. 3 MUFFLER



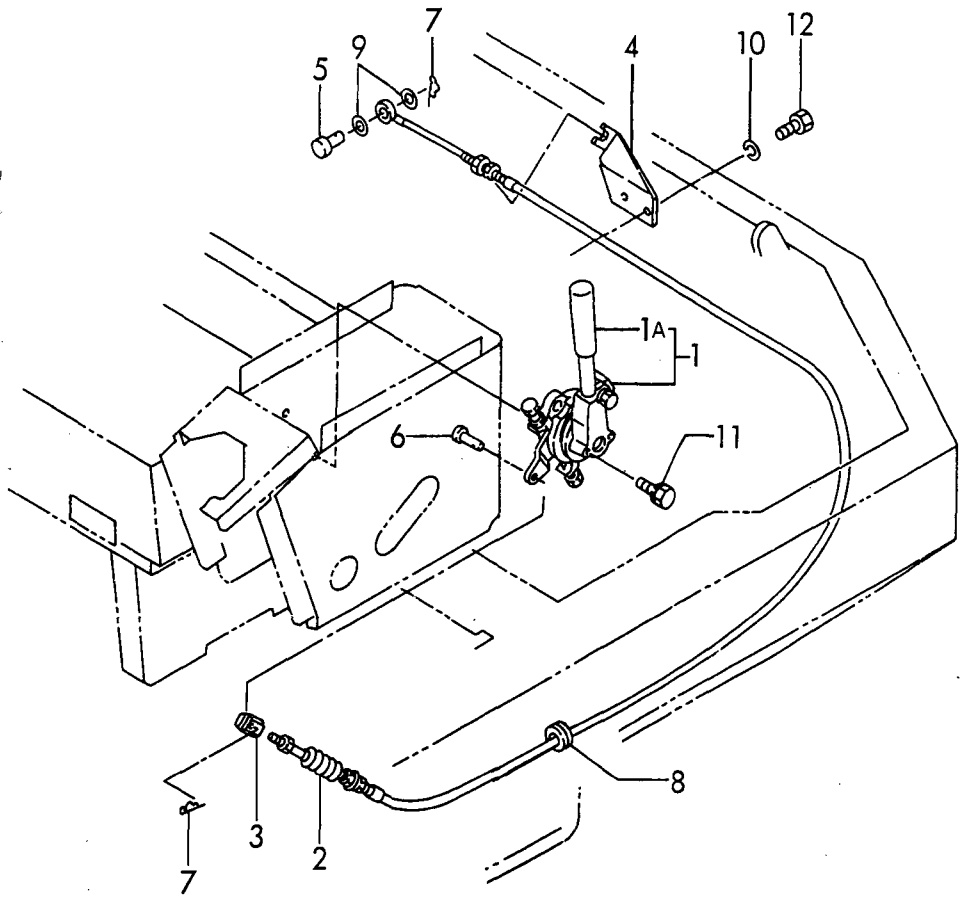
1,1,,172184-11500,,HOSE,1,1,,,,,,,,,,,,,
2,1,,172159-45160,,,"CLAMP 350",1,1,,,,,,,,,,,,,
3,1,,23000-070000,,,"CLAMP 70",1,1,,,,,,,,,,,,,

Fig. 4 AIR CLEANER



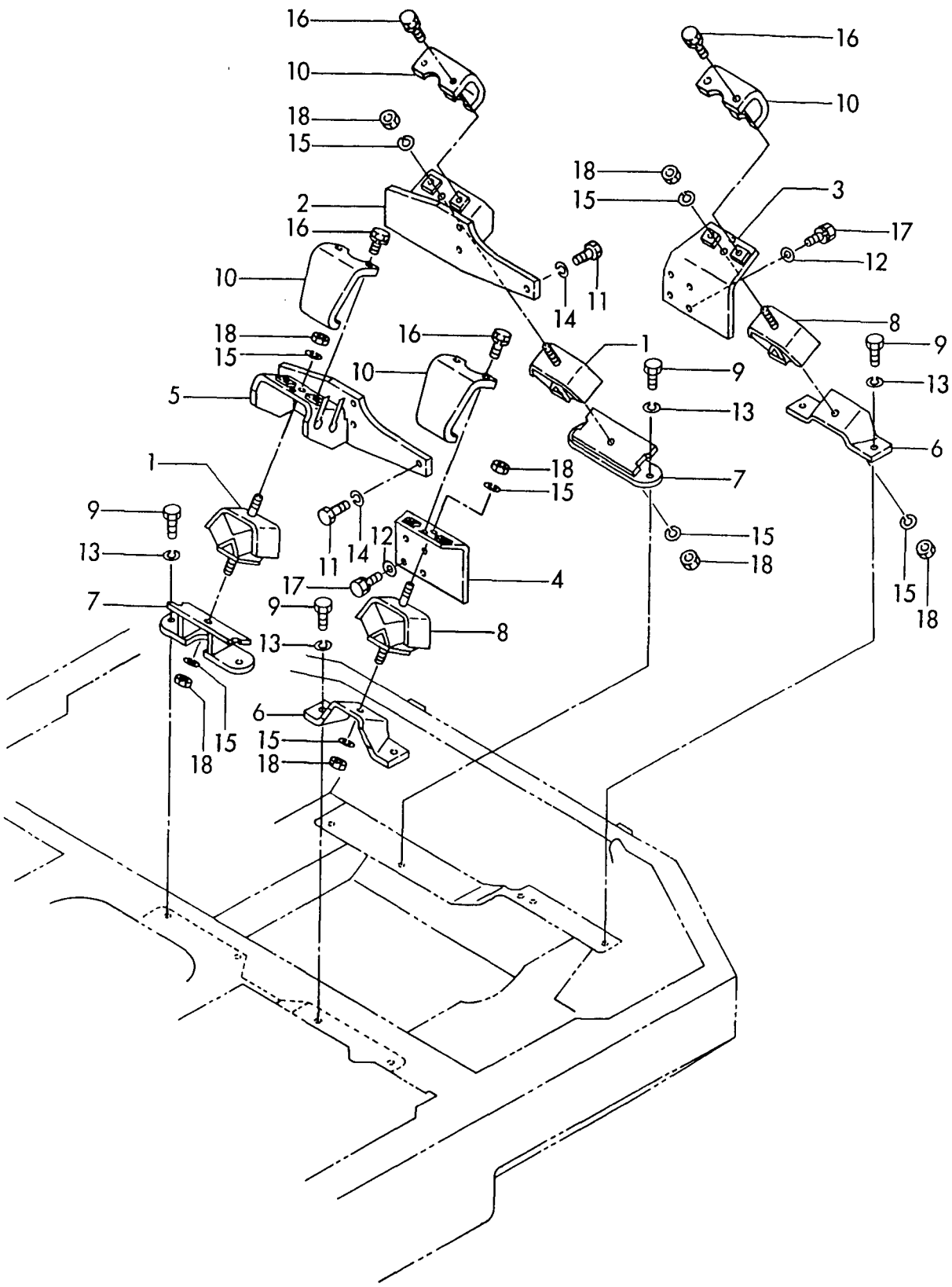
1,1,,172179-12100,, "LEVER,ACCEL",1,1,,,,,,,,,,,,,
1A,2,,172165-12140,,GRIP,1,1,,,,,W,,72165500,"FROM 1ST",72165500,"FROM
1ST",,,,,,,,,I
2,1,,172168-12110,, "CABLE,ACCEL(S)",1,1,,,,,,,,,,,,,
3,1,,172159-12270,, "JOINT, CABLE",1,1,,,,,,,,,,,,,
4,1,,172161-12280,, "CLAMP,ACCEL.WIRE",1,1,,,,,,,,,,,,,
5,1,,172159-12520,, "PIN, CABLE",1,1,,,,,,,,,,,,,
6,1,,172159-12530,, "PIN 6X 17",1,1,,,,,,,,,,,,,
7,1,,172159-42070,, "PIN 6,COME-OFF SNAP",2,2,,,,,,,,,,,,,
8,1,,1A1380-58050,, "GROMMET 16X20X4.5",1,1,,,,,,,,,,,,,
9,1,,22137-060000,, "WASHER 6, POLISHED",2,2,,,,,,,,,,,,,
10,1,,22217-080000,, "SPRING WASHER 8",2,2,,,,,,,,,,,,,
11,1,,26013-100302,, "BOLT M10X 30",2,2,,,,,,,,,,,,,
12,1,,26116-080162,, "BOLT M 8X 16 PLATED",2,2,,,,,,,,,,,,,

Fig. 5 ACCELERATOR



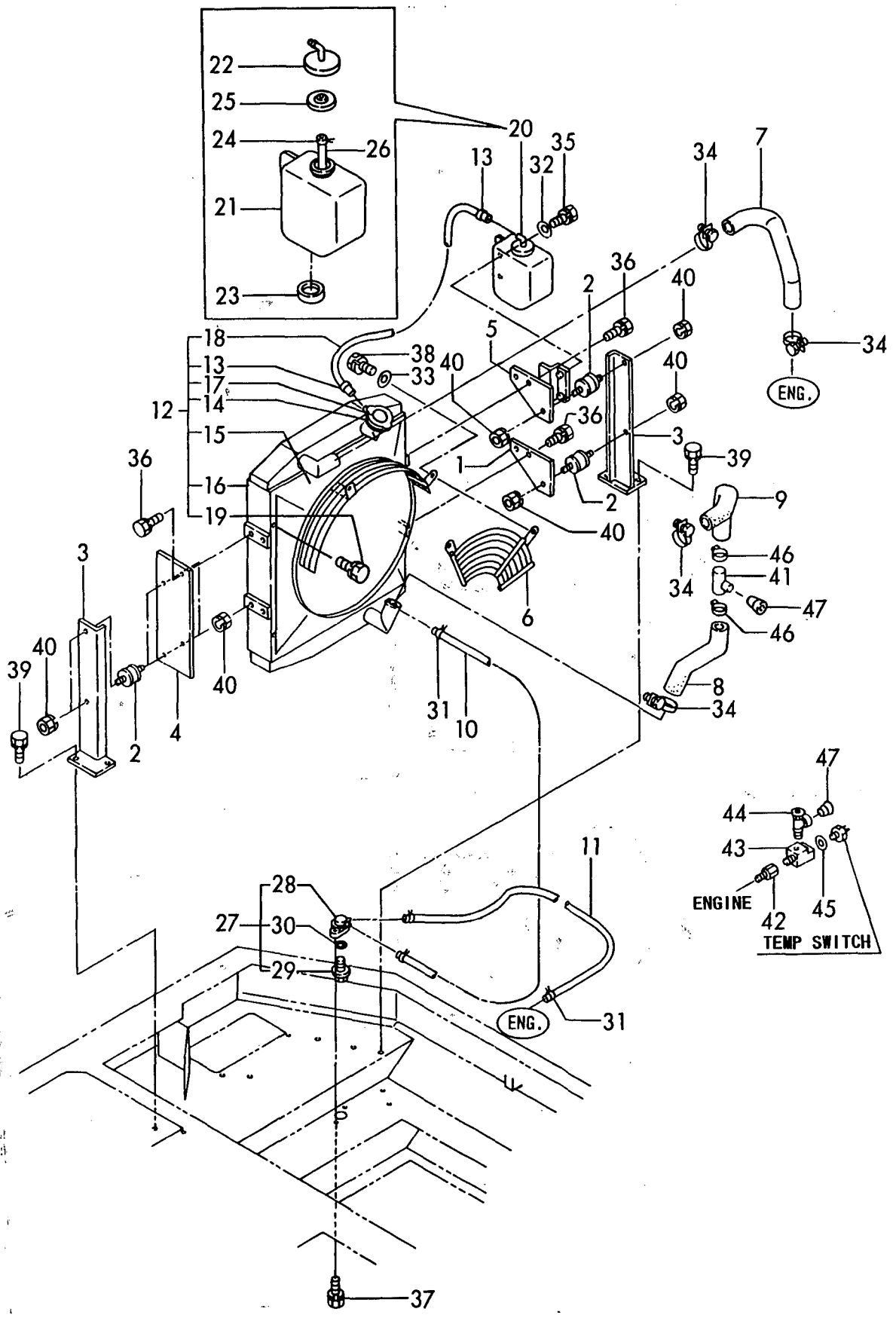
1,1,,196420-02310,, "ABSORBER, SHOCK",2,2,,,,,,,,,,,,,,,,,,,,,
2,1,,172174-13100,, "MOUNT(R), ENGINE",1,1,,,,,,,,,,,,,,,,,,,,,
3,1,,172174-13140,, BRACKET,1,1,,,,,,,,,,,,,,,,,,,,,
4,1,,172174-13170,, BRACKET,1,1,,,,,,,,,,,,,,,,,,,,,
5,1,,172174-13190,, "MOUNT(L), ENGINE",1,1,,,,,,,,,,,,,,,,,,,,,
6,1,,172174-13210,, BRACKET,2,2,,,,,,,,,,,,,,,,,,,,,
7,1,,172174-13220,, BRACKET,2,2,,,,,,,,,,,,,,,,,,,,,
8,1,,172168-13250,, "ABSORBER,SHOCK 180",2,2,,,,,,,,,,,,,,,,,,,,,
9,1,,172174-13260,, "BOLT M10X30",8,8,,,,,,,,,,,,,,,,,,,,,
10,1,,172174-13270,, "STOPPER, ENGINE",4,4,,,,,,,,,,,,,,,,,,,,,
11,1,,172174-13280,, "BOLT M12X 30",6,6,,,,,,,,,,,,,,,,,,,,,
12,1,,172174-13290,, PLATE,8,8,,,,,,,,,,,,,,,,,,,,,
13,1,,22217-100000,, "SPRING WASHER 10",8,8,,,,,,,,,,,,,,,,,,,,,
14,1,,22217-120000,, "WASHER 12,SPRING",6,6,,,,,,,,,,,,,,,,,,,,,
15,1,,22217-120000,, "WASHER 12,SPRING",8,8,,,,,,,,,,,,,,,,,,,,,
16,1,,26013-100252,, "BOLT W/WASHER M10X25",8,8,,,,,,,,,,,,,,,,,,,,,
17,1,,26013-120302,, "BOLT W/WASHER M12X30",8,8,,,,,,,,,,,,,,,,,,,,,
18,1,,26716-120002,, "NUT M12",8,8,,,,,,,,,,,,,,,,,,,,,

Fig. 6 ENGINE MOUNT



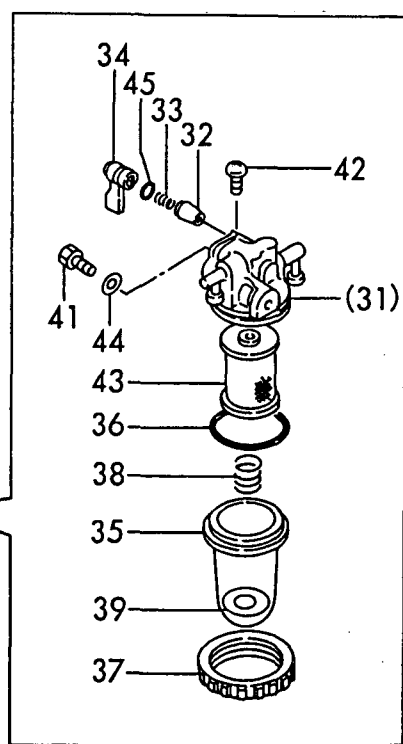
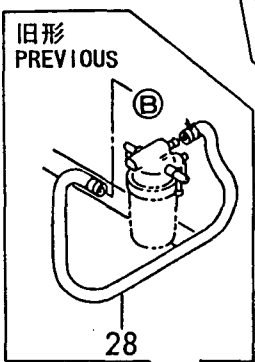
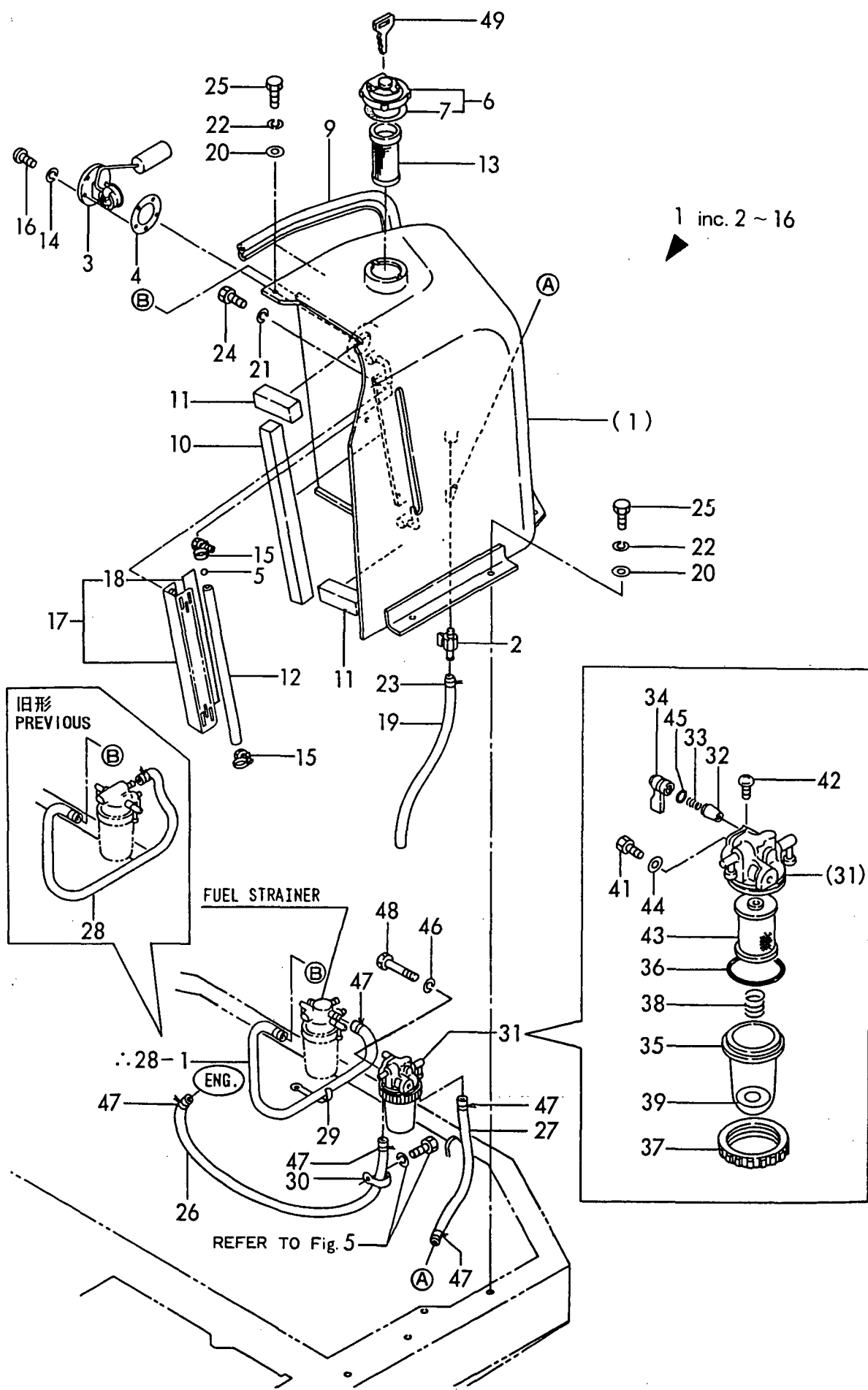
1,1,,172184-13300,,SUPPORT,1,1,,,,,,,,,,,,,,,,,,,,,
2,1,,172122-13310,,,"MOUNT, RADIATOR",4,4,,,,,,,,,,,,,,,,,,,,,
3,1,,172184-13310,,MOUNT,2,2,,,,,,,,,,,,,,,,,,,,,
4,1,,172184-13340,,STAY,1,1,,,,,,,,,,,,,,,,,,,,,
5,1,,172184-13370,,BRACKET,1,1,,,,,,,,,,,,,,,,,,,,,
6,1,,172184-13400,,,"NET, WIRE",1,1,,,,,,,,,,,,,,,,,,,,,
7,1,,172184-13410,,,"PIPE, C.W.",1,1,,,,,,,,,,,,,,,,,,,,,
8,1,,172184-13420,,,"PIPE, C.W.",1,1,,,,,,,,,,,,,,,,,,,,,
9,1,,172184-13430,,,"PIPE, C.W.",1,1,,,,,,,,,,,,,,,,,,,,,
10,1,,172159-13500,,,"HOSE 4X400",1,1,,,,,,,,,,,,,,,,,,,,,
11,1,,172159-13510,,,"PIPE, WATER DRAIN",1,1,,,,,,,,,,,,,,,,,,,,,
12,1,,129030-44501,,RADIATOR,1,1,,,,,,,,,,,,,,,,,,,,,
12-1,1,,129030-
44502,,RADIATOR,1,1,,,,,N,,72168277,M50001,72168277,M50001,,,,,,,,,,,,,I
13,2,,121250-44590,,CLAMP,2,2,,,,,,,,,,,,,,,,,,,,,
14,2,,124450-44590,,CAP,1,1,,,,,,,,,,,,,,,,,,,,,
15,2,,171064-44610,,SHROUD,1,1,,,,,,,,,,,,,,,,,,,,,
16,2,,129030-44650,,,"RADIATOR SUB-ASSY",1,1,,,,,,,,,,,,,,,,,,,,,
17,2,,124450-44800,,,"LABEL, RADIATOR",1,1,,,,,,,,,,,,,,,,,,,,,
18,2,,129030-59530,,,"PIPE, FUEL D12XL200",1,1,,,,,,,,,,,,,,,,,,,,,
19,2,,26014-080122,,,"BOLT M 8X 12",4,4,,,,,,,,,,,,,,,,,,,,,
20,1,,121468-44510,,,"SUB-TANK ASSY",1,1,,,,,,,,,,,,,,,,,,,,,
21,2,,121470-44521,,,"BODY, SUB-TANK",1,1,,,,,,,,,,,,,,,,,,,,,
22,2,,121450-44531,,CAP,1,1,,,,,,,,,,,,,,,,,,,,,
23,2,,121468-44540,,,"PLUG, SUB-TANK",1,1,,,,,,,,,,,,,,,,,,,,,
24,2,,124450-44560,,CLAMP,1,1,,,,,,,,,,,,,,,,,,,,,
25,2,,121470-44581,,GASKET,1,1,,,,,,,,,,,,,,,,,,,,,
26,2,,23065-070130,,,"PIPE 7X 130",1,1,,,,,,,,,,,,,,,,,,,,,
27,1,,121450-49110,,,"COCK ASSY, 3-WAY",1,1,,,,,,,,,,,,,,,,,,,,,
28,2,,121450-49100,,,"BODY, COCK",1,1,,,,,,,,,,,,,,,,,,,,,
29,2,,121250-49121,,PLUG,1,1,,,,,,,,,,,,,,,,,,,,,
30,2,,24311-000160,,,"O-RING 1A P-16.0",1,1,,,,,,,,,,,,,,,,,,,,,
31,1,,124766-59050,,,"CLAMP 12",4,4,,,,,,,,,,,,,,,,,,,,,
32,1,,22137-060000,,,"WASHER 6, POLISHED",2,2,,,,,,,,,,,,,,,,,,,,,
33,1,,22137-080000,,,"WASHER 8, POLISHED",2,2,,,,,,,,,,,,,,,,,,,,,
34,1,,23010-038000,,,"CLAMP 38",4,4,,,,,,,,,,,,,,,,,,,,,
35,1,,26013-060202,,,"BOLT M 6X 20",2,2,,,,,,,,,,,,,,,,,,,,,
36,1,,26013-080162,,,"BOLT W/WASHER M8X16",6,6,,,,,,,,,,,,,,,,,,,,,
37,1,,26013-080162,,,"BOLT W/WASHER M8X16",2,2,,,,,,,,,,,,,,,,,,,,,
38,1,,26013-080162,,,"BOLT W/WASHER M8X16",2,2,,,,,,,,,,,,,,,,,,,,,
39,1,,26013-100202,,,"BOLT W/WASHER M10X20",4,4,,,,,,,,,,,,,,,,,,,,,
40,1,,26051-080002,,,"NUT M 8",8,8,,,,,,,,,,,,,,,,,,,,,
41,1,,172161-13490,,,"JOINT,COOL.WTR.PIPE",1,1,,,,,,,,,,,,,,,,,,,,,
42,1,,172161-13510,,,"JOINT,HEATER",1,1,,,,,,,,,,,,,,,,,,,,,
43,1,,172174-17620,,,"CONNECTOR PT3/8-M16",1,1,,,,,,,,,,,,,,,,,,,,,
44,1,,172124-17630,,,"VALVE, MINIATURE",1,1,,,,,,,,,,,,,,,,,,,,,
45,1,,124465-44950,,,"GASKET 16",2,2,,,,,,,,,,,,,,,,,,,,,
46,1,,23010-038000,,,"CLAMP 38",2,2,,,,,,,,,,,,,,,,,,,,,
47,1,,23871-030000,,,"PLUG PT3/8,SCREW",2,2,,,,,,,,,,,,,,,,,,,,,

Fig. 7 RADIATOR & HEATER PARTS



1,1,,772184-14101,, "TANK ASSY, FUEL",1,1,,,,,,,,,,,,,,,,,,,,,
2,2,,104200-11920,, COCK,1,1,,,,,,,,,,,,,,,,,,,,,
3,2,,172162-14180,, "GAUGE UNIT,FUEL",1,1,,,,,,,,,,,,,,,,,,,,,
4,2,,172162-14200,, GASKET,1,1,,,,,,,,,,,,,,,,,,,,,
5,2,,172141-14260,, FLOAT,1,1,,,,,,,,,,,,,,,,,,,,,
6,2,,172122-14300,, "CAP, FUEL TANK",1,1,,,,,,,,,,,,,,,,,,,,,
7,3,,105430-55070,, GASKET,1,1,,,,,,,,,,,,,,,,,,,,,
9,3,,172168-14320,, "RUBBER,SEAL C",1,1,,,,,,,,,,,,,,,,,,,,,
10,3,,172174-14340,, "SEAL A,CR SPONGE",1,1,,,,,,,,,,,,,,,,,,,,,
11,3,,172174-14360,, "SEAL B,CR SPONGE",2,2,,,,,,,,,,,,,,,,,,,,,
12,3,,172142-14421,, "HOSE, FUEL GAUGE",1,1,,,,,,,,,,,,,,,,,,,,,
13,3,,101504-55101,, "STRAINER,FUEL INLET",1,1,,,,,,,,,,,,,,,,,,,,,
14,3,,22217-050000,, "SPRING WASHER 5",5,5,,,,,,,,,,,,,,,,,,,,,
15,3,,23010-014000,, "CLAMP 14",2,2,,,,,,,,,,,,,,,,,,,,,
16,3,,26557-050122,, "SCREW M 5X 12",5,5,,,,,,,,,,,,,,,,,,,,,
17,1,,172174-14270,, "COVER COMP.W/SEAL",1,1,,,,,,,,,,,,,,,,,,,,,
18,2,,172174-14350,, "SEAL, GAUGE",1,1,,,,,,,,,,,,,,,,,,,,,
19,1,,172142-14320,, "GAUGE, FUEL",1,1,,,,,,,,,,,,,,,,,,,,,
20,1,,172159-65930,, "WASHER 10",6,6,,,,,,,,,,,,,,,,,,,,,
21,1,,22217-080000,, "SPRING WASHER 8",2,2,,,,,,,,,,,,,,,,,,,,,
22,1,,22217-100000,, "SPRING WASHER 10",6,6,,,,,,,,,,,,,,,,,,,,,
23,1,,23080-013000,, "CLAMP 13,HOSE",1,1,,,,,,,,,,,,,,,,,,,,,
24,1,,26116-080162,, "BOLT M 8X 16 PLATED",2,2,,,,,,,,,,,,,,,,,,,,,
25,1,,26116-100252,, "BOLT M10X 25 PLATED",6,6,,,,,,,,,,,,,,,,,,,,,
26,1,,172161-13660,, "HOSE 7X700",1,1,,,,,,,,,,,,,,,,,,,,,
27,1,,172184-14610,, PIPE,1,1,,,,,,,,,,,,,,,,,,,,,
28,1,,172174-14620,, "HOSE 7X750,FUEL",1,1,,,,,,,,,,,,,,,,,,,,,
28-1,1,,172174-14640,, "HOSE
800",1,1,,,,,N,,72184012,M50551,72184012,M50551,,,,,,,,,,,,,I
29,1,,172174-16540,, "CLAMP 10X70",1,1,,,,,,,,,,,,,,,,,,,,,
30,1,,194440-51620,, "CLAMP, WIRE HARNESS",1,1,,,,,,,,,,,,,,,,,,,,,
31,1,,129335-55700,, "SEPARATOR, WATER",1,1,,,,,,,,,,,,,,,,,,,,,
32,2,,104200-55321,, "VALVE, TAPER",1,1,,,,,,,,,,,,,,,,,,,,,
33,2,,104200-55330,, "SPRING, TAPER VALVE",1,1,,,,,,,,,,,,,,,,,,,,,
34,2,,104200-55341,, "HANDLE, COCK",1,1,,,,,,,,,,,,,,,,,,,,,
35,2,,124064-55510,, "BOWL, FUEL STRAINER",1,1,,,,,,,,,,,,,,,,,,,,,
36,2,,102103-55520,, O-RING,1,1,,,,,,,,,,,,,,,,,,,,,
37,2,,110250-55610,, "RING, RETAINING",1,1,,,,,,,,,,,,,,,,,,,,,
38,2,,121257-55720,, "SPRING, SCREEN",1,1,,,,,,,,,,,,,,,,,,,,,
39,2,,121257-55731,, FLOAT,1,1,,,,,,,,,,,,,,,,,,,,,
41,2,,101720-55750,, "PLUG 6",2,2,,,,,,,,,,,,,,,,,,,,,
42,2,,104200-55750,, "SCREW M 4",1,1,,,,,,,,,,,,,,,,,,,,,
43,2,,171081-55910,, SCREEN,1,1,,,,,,,,,,,,,,,,,,,,,
44,2,,23418-060000,, "GASKET 6, NYLON",2,2,,,,,,,,,,,,,,,,,,,,,
45,2,,24311-240100,, "O-RING 1A P-10A",1,1,,,,,,,,,,,,,,,,,,,,,
46,1,,22217-080000,, "SPRING WASHER 8",1,1,,,,,,,,,,,,,,,,,,,,,
47,1,,23010-016000,, "CLAMP 16",6,6,,,,,,,,,,,,,,,,,,,,,
48,1,,26116-080652,, "BOLT M 8X 65 PLATED",1,1,,,,,,,,,,,,,,,,,,,,,
49,1,,933110-00301,, "KEY ASSY",1,1,,,,,,,,,,,,,,,,,,,,,

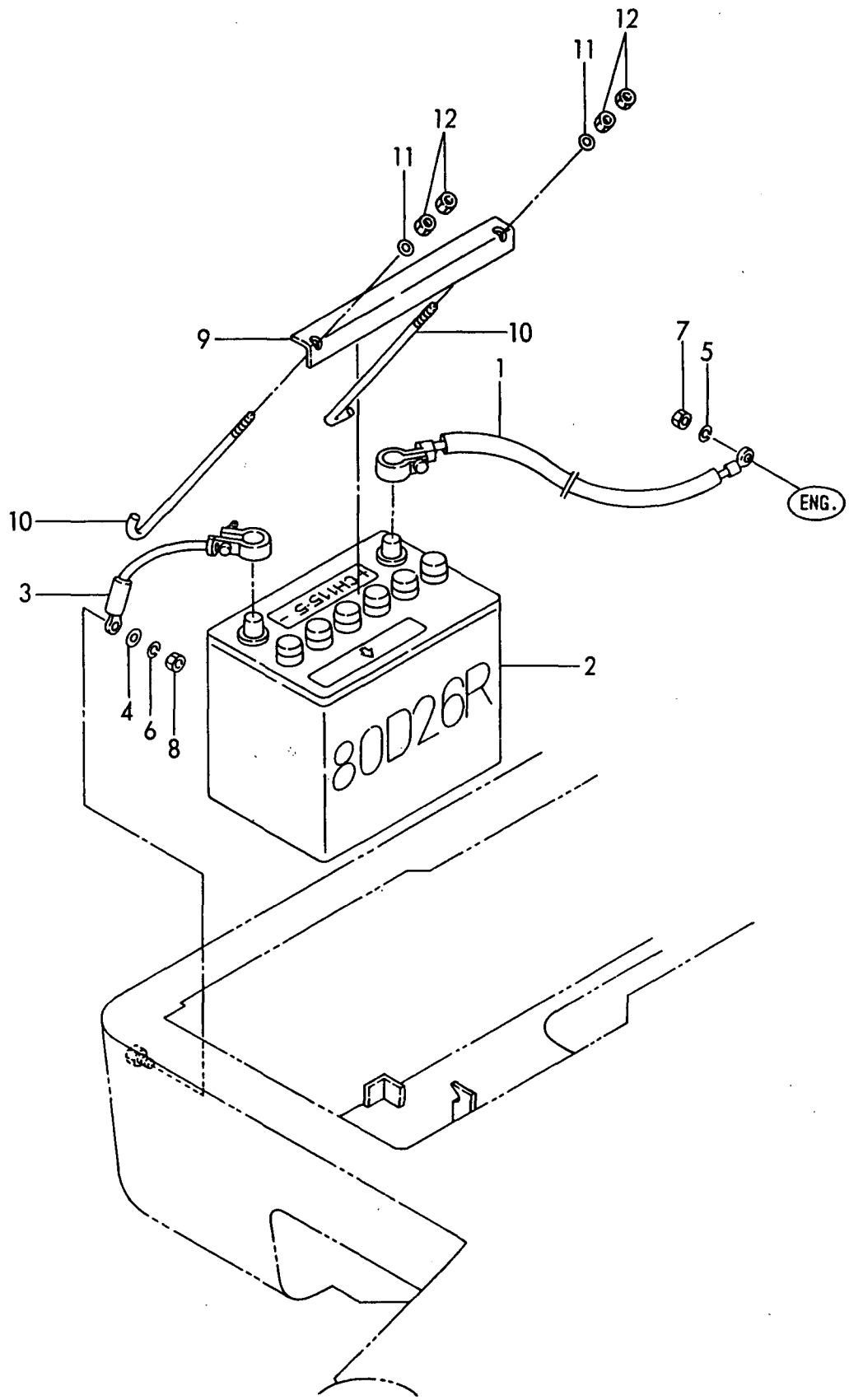
Fig. 8 FUEL TANK & FUEL LINE



∴ MARKED PART HAS BEEN CHANGED (ADDED).

1,1,,172170-16100,, "CORD(+), BATTERY",1,1,,,,,,,,,,,,,,,,,,,,,
2,1,,172174-16100,, BATTERY,1,1,,,,,,,,,,,,,,,,,,,,,
3,1,,172142-16110,, "CORD(-), BATTERY",1,1,,,,,,,,,,,,,,,,,,,,,
4,1,,22137-100000,, "WASHER 10,POLISHED",1,1,,,,,,,,,,,,,,,,,,,,,
5,1,,22217-080000,, "SPRING WASHER 8",1,1,,,,,,,,,,,,,,,,,,,,,
6,1,,22217-100000,, "SPRING WASHER 10",1,1,,,,,,,,,,,,,,,,,,,,,
7,1,,26716-080002,, "NUT M 8",1,1,,,,,,,,,,,,,,,,,,,,,
8,1,,26716-100002,, "NUT M10",1,1,,,,,,,,,,,,,,,,,,,,,
9,1,,172174-16300,, CLAMP,1,1,,,,,,,,,,,,,,,,,,,,,
10,1,,172174-16310,, "ROD(B), BATTERY FIX",2,2,,,,,,,,,,,,,,,,,,,,,
11,1,,22157-080000,, "WASHER 8",2,2,,,,,,,,,,,,,,,,,,,,,
12,1,,26716-080002,, "NUT M 8",4,4,,,,,,,,,,,,,,,,,,,,,

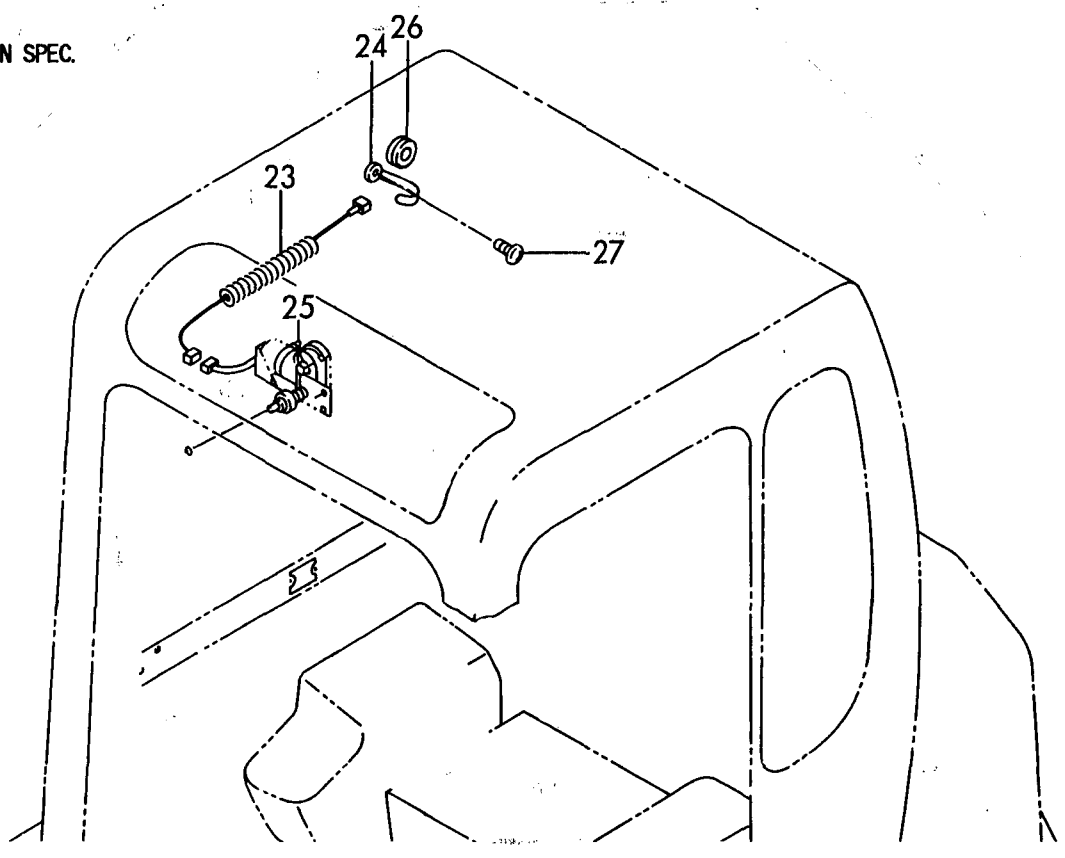
Fig. 9 BATTERY



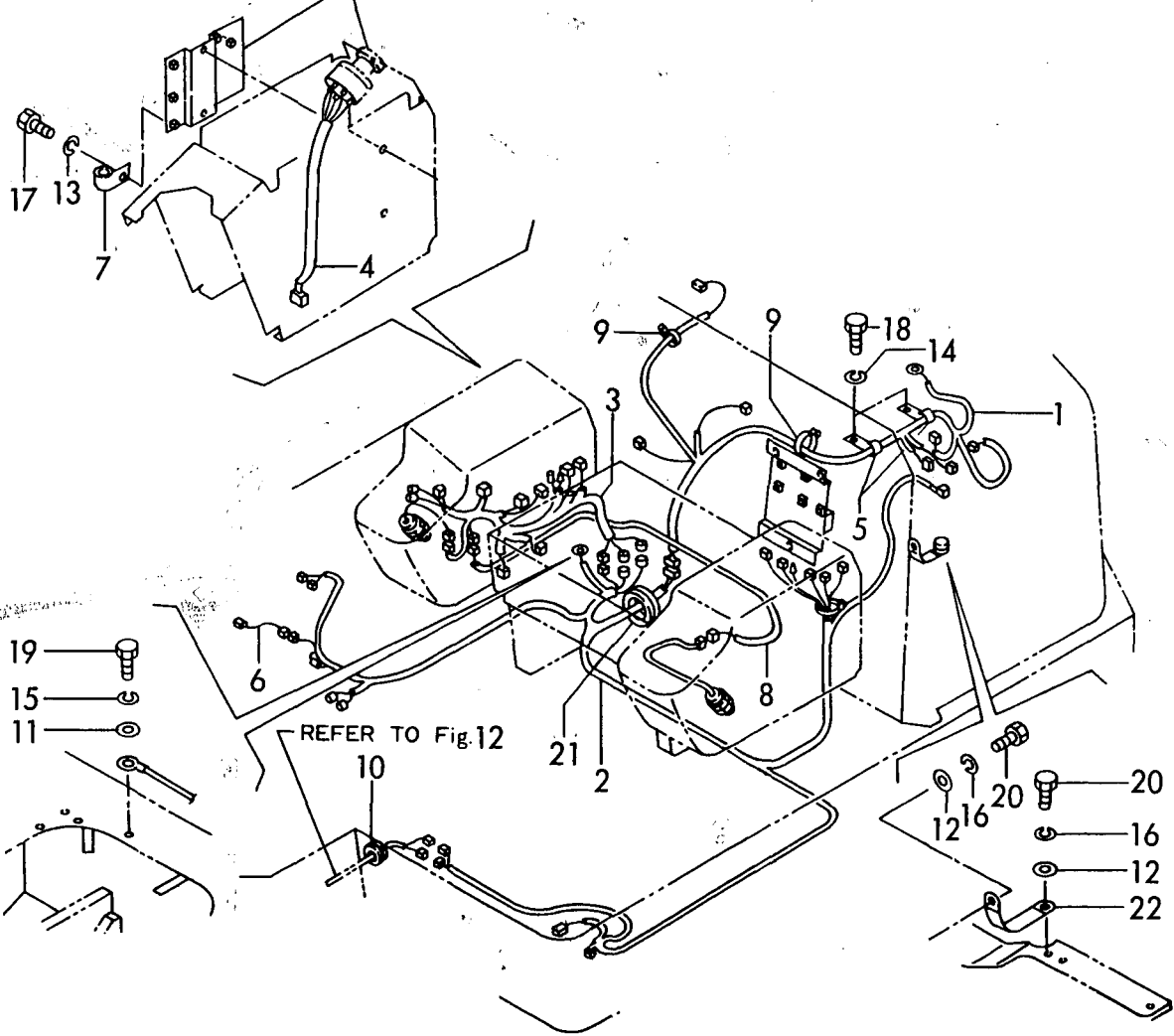
1,1,,172168-16501,, "HARNESS A,WIRE",1,1,,,,,,,,,,,,,,,,,,,,,
2,1,,172168-16512,, "HARNESS B,WIRE",1,1,,,,,,,,,,,,,,,,,,,,,
3,1,,172168-16520,, "HARNESS C",1,1,,,,,,,,,,,,,,,,,,,,,
3-1,1,,172168-16521,, "HARNESS (C),
WIRE",1,1,,,,,S,,72174033,*1995.10,72174033,*1995.10,,,,,,,,,,,,,I
4,1,,172165-16530,, "HARNESS D",1,1,,,,,,,,,,,,,,,,,,,,,
5,1,,172174-16540,, "CLAMP 10X70",3,3,,,,,,,,,,,,,,,,,,,,,
6,1,,172183-16540,, "LINK,FUSIBLE",1,1,,,,,,,,,,,,,,,,,,,,,
7,1,,172142-16550,, CLAMP,1,1,,,,,,,,,,,,,,,,,,,,,
8,1,,172165-16560,, "HARNESS (G)",1,1,,,,,,,,,,,,,,,,,,,,,
9,1,,172159-45160,, "CLAMP 350",4,4,,,,,,,,,,,,,,,,,,,,,
10,1,,1A1380-58050,, "GROMMET 16X20X4.5",1,1,,,,,,,,,,,,,,,,,,,,,
11,1,,22137-100000,, "WASHER 10,POLISHED",1,1,,,,,,,,,,,,,,,,,,,,,
12,1,,22137-120000,, "WASHER 12,POLISHED",2,2,,,,,,,,,,,,,,,,,,,,,
13,1,,22217-060000,, "SPRING WASHER 6",1,1,,,,,,,,,,,,,,,,,,,,,
14,1,,22217-100000,, "SPRING WASHER 10",2,2,,,,,,,,,,,,,,,,,,,,,
15,1,,22217-100000,, "SPRING WASHER 10",1,1,,,,,,,,,,,,,,,,,,,,,
16,1,,22217-120000,, "WASHER 12,SPRING",2,2,,,,,,,,,,,,,,,,,,,,,
17,1,,26116-060122,, "BOLT M 6X 12",1,1,,,,,,,,,,,,,,,,,,,,,
18,1,,26116-100162,, "BOLT M10X 16 PLATED",2,2,,,,,,,,,,,,,,,,,,,,,
19,1,,26116-100162,, "BOLT M10X 16 PLATED",1,1,,,,,,,,,,,,,,,,,,,,,
20,1,,26116-120162,, "BOLT M12X 16 PLATED",2,2,,,,,,,,,,,,,,,,,,,,,
21,1,,29311-515000,, "GROMMET 51X5",1,1,,,,,,,,,,,,,,,,,,,,,
22,1,,933171-15801,, "WIRE, EARTH",1,1,,,,,,,,,,,,,,,,,,,,,
23,1,,172137-16000,, WIRE,1,,,,,,,,,,,,,,,,,,,,,
24,1,,172122-16590,, "BAND 200F",2,,,,,,,,,,,,,,,,,,,,,
25,1,,172159-45160,, "CLAMP 350",2,,,,,,,,,,,,,,,,,,,,,
26,1,,172137-62970,, "GROMMET 16",2,,,,,,,,,,,,,,,,,,,,,
27,1,,22857-400120,, "SCREW 4X12",2,,,,,,,,,,,,,,,,,,,,,

Fig.10 ELECTRIC PART(WIRING)

CABIN SPEC.



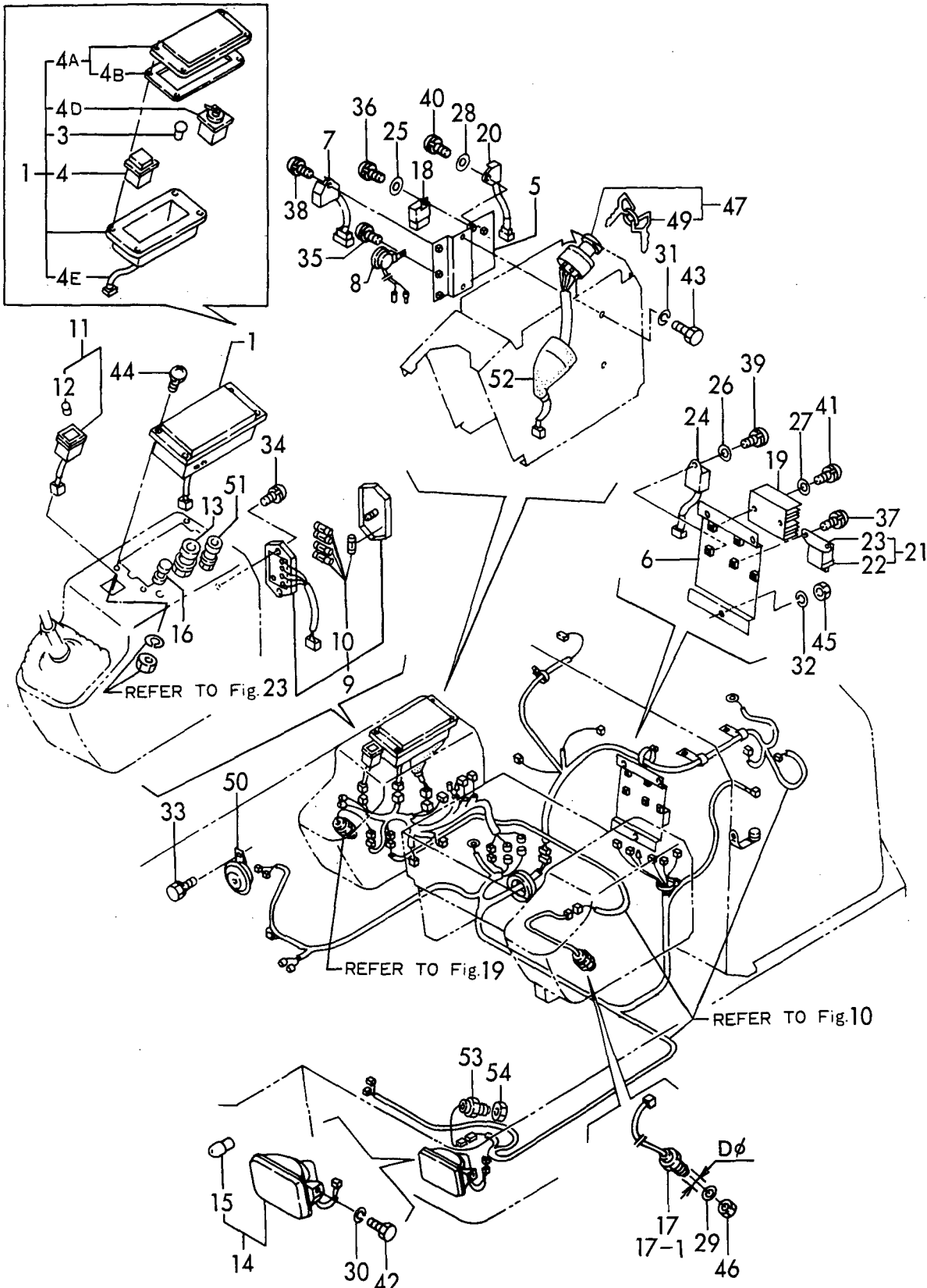
REFER TO Fig.11



1,1,,172162-17101,, "BOX ASSY, INDICATOR",1,1,,,,,,,,,,,,,
3,2,,172162-17120,, VALVE,4,4,,,,,,,,,,,,,
4,2,,172162-17130,, HOURMETER,1,1,,,,,,,,,,,,,
4A,2,,172162-17270,, "COVER, FRONT",1,1,,,,,W,,72176188,"FROM 1ST",72176188,"FROM
1ST",,,,,,,,,I
4B,3,,172162-17260,, GASKET,1,1,,,,,W,,72176188,"FROM 1ST",72176188,"FROM
1ST",,,,,,,,,I
4D,2,,172162-17240,, "METER ASSY, FUEL",1,1,,,,,W,,72162475,"FROM
1ST",72162475,"FROM 1ST",,,,,,,,,I
4E,2,,172162-17250,, HARNESS,1,1,,,,,W,,72162475,"FROM 1ST",72162475,"FROM
1ST",,,,,,,,,I
5,1,,172174-17100,, "BRACKET (E) ASSY",1,1,,,,,,,,,,,,,
6,1,,172174-17120,, "BRACKET T COMPL.",1,1,,,,,,,,,,,,,
7,1,,172141-17141,, "UNIT, CHECKER",1,1,,,,,,,,,,,,,
8,1,,172141-17150,, BUZZER,1,1,,,,,,,,,,,,,
9,1,,172141-17161,, "BOX, FUSE",1,1,,,,,,,,,,,,,
10,2,,29411-150000,, "FUSE (15A), CARTRIDGE",5,5,,,,,,,,,,,,,
11,1,,172141-17190,, "SWITCH, WORK LAMP",1,1,,,,,,,,,,,,,
12,2,,172141-17230,, "BULB 24V- 6W",1,1,,,,,,,,,,,,,
13,1,,172162-17330,, "SWITCH,WIPER",1,1,,,,,,,,,,,,,
14,1,,172162-17410,, "LAMP ASSY, HEADLIGHT",1,1,,,,,,,,,,,,,
15,2,,29220-788200,, BULB,1,1,,,,,,,,,,,,,
16,1,,172162-17610,, "SWITCH,HEATER",1,1,,,,,,,,,,,,,
17,1,,194464-52190,, "SWITCH, SAFETY START",1,1,,,,,,,,,,,,,
17-1,1,,172164-
17140,, SWITCH,1,1,,,,,S,1,72174033,*1995.10,72174033,*1995.10,,,,,,,,,
18,1,,119247-77100,, "RELAY, SAFETY",1,1,,,,,,,,,,,,,
19,1,,119640-77711,, "LIMITER,CURRENT",1,1,,,,,,,,,,,,,
20,1,,121522-77721,, "INDICATOR, CHARGING",1,1,,,,,,,,,,,,,
21,1,,119650-77910,, "RELAY, GROW",1,1,,,,,,,,,,,,,
22,2,,129052-77920,, "BODY, RELAY",1,1,,,,,,,,,,,,,
23,2,,119650-77930,, "BRACKET, RELAY",1,1,,,,,,,,,,,,,
24,1,,119632-77920,, TIMER,1,1,,,,,,,,,,,,,
24-1,1,,119632-77921,, "TIMER(1 SEC.",1,1,,,,,N,,TN-94513,M50501,TN-
94513,M50501,,,,,,,,,
24-2,1,,119632-77922,, TIMER,1,1,,,,,N,,72175204,M50916,72175204,M50916,,,,,,,,,
25,1,,22137-060000,, "WASHER 6, POLISHED",2,2,,,,,,,,,,,,,
26,1,,22137-060000,, "WASHER 6, POLISHED",1,1,,,,,,,,,,,,,
27,1,,22137-060000,, "WASHER 6, POLISHED",2,2,,,,,,,,,,,,,
28,1,,22137-060000,, "WASHER 6, POLISHED",1,1,,,,,,,,,,,,,
29,1,,22137-180000,, "WASHER 18",1,1,,,,,,,,,,,,,
30,1,,22217-080000,, "SPRING WASHER 8",2,2,,,,,,,,,,,,,
31,1,,22217-080000,, "SPRING WASHER 8",2,2,,,,,,,,,,,,,
32,1,,22217-100000,, "SPRING WASHER 10",3,3,,,,,,,,,,,,,
33,1,,26013-060122,, "BOLT M 6X 12",2,2,,,,,,,,,,,,,
34,1,,26022-050162,, "SCREW M 5X 16",2,2,,,,,,,,,,,,,
35,1,,26022-060122,, "SCREW M 6X 12",1,1,,,,,,,,,,,,,
36,1,,26022-060122,, "SCREW M 6X 12",1,1,,,,,,,,,,,,,
37,1,,26022-060122,, "SCREW M 6X 12",2,2,,,,,,,,,,,,,
38,1,,26022-060162,, "SCREW M 6X 16",1,1,,,,,,,,,,,,,
39,1,,26022-060162,, "SCREW M 6X 16",1,1,,,,,,,,,,,,,
40,1,,26022-060162,, "SCREW M 6X 16",1,1,,,,,,,,,,,,,
41,1,,26022-060252,, "SCREW M 6X 25",2,2,,,,,,,,,,,,,
42,1,,26116-080162,, "BOLT M 8X 16 PLATED",2,2,,,,,,,,,,,,,
43,1,,26116-080162,, "BOLT M 8X 16 PLATED",2,2,,,,,,,,,,,,,
44,1,,26589-040202,, "SCREW M4,BINDING",4,4,,,,,,,,,,,,,
45,1,,26716-100002,, "NUT M10",3,3,,,,,,,,,,,,,
46,1,,26776-180002,, "NUT M18,LOCK",1,1,,,,,,,,,,,,,
46-1,1,,26776-160002,, "LOCK NUT M16
PLATED",1,1,,,,,S,,72174033,*1995.10,72174033,*1995.10,,,,,,,,,
47,1,,933110-00100,, "SWITCH ASSY, STARTER",1,1,,,,,,,,,,,,,
49,2,,933110-00301,, "KEY ASSY",1,1,,,,,,,,,,,,,
50,1,,933110-05300,, HORN,1,1,,,,,,,,,,,,,

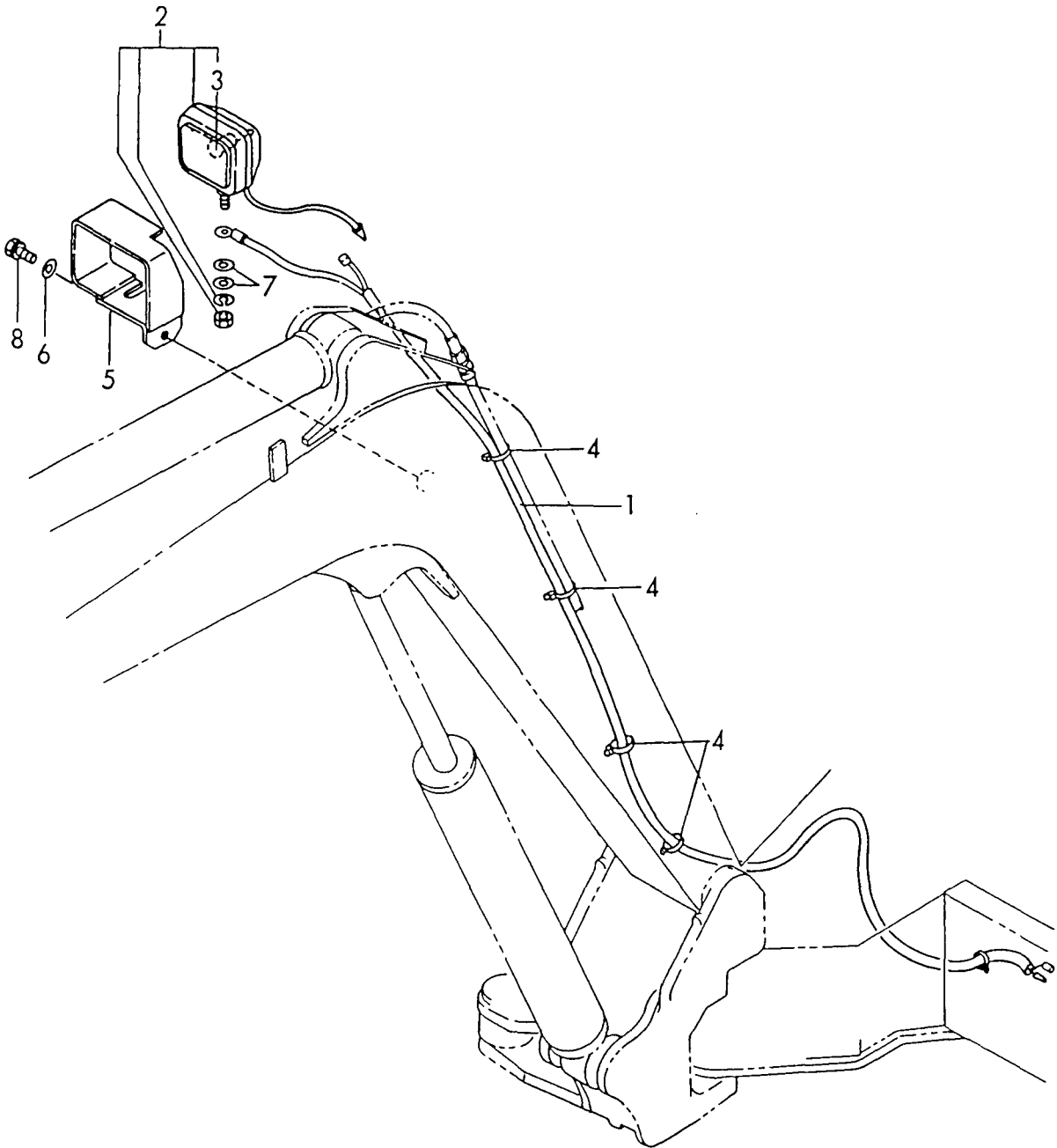
51,1,,933113-15000,, "CIGAR LIGHTER ASSY",1,1,,,,,,,,,,,,,
52,1,,933113-15900,, "COVER, SWITCH TERMI.",1,1,,,,,,,,,,,,,
53,1,,194464-52190,, "SWITCH, SAFETY START",1,1,,,,,W,,*, "FROM 1ST",*, "FROM
1ST" ,,,,,,
54,1,,26776-180002,, "NUT M18,LOCK",1,1,,,,,W,,*, "FROM 1ST",*, "FROM 1ST" ,,,,,,

Fig.11 ELECTRIC PART(EQUIPMENT)



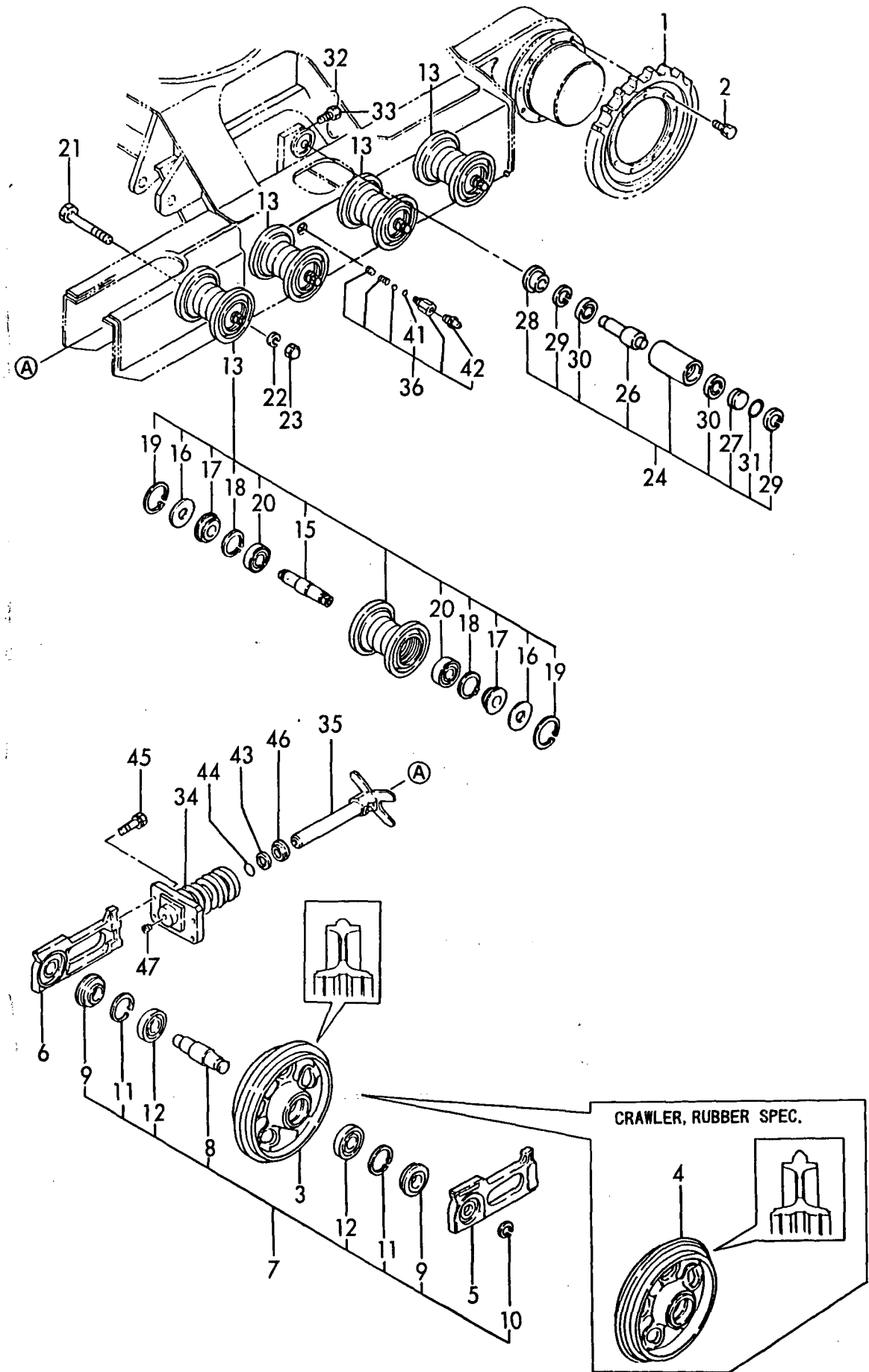
1,1,,172161-16560,, "WIRE,LAMP",1,1,,,,,,,,,,,,,,,,,,,,,
1-1,1,,172184-16560,, "WIRE,
LAMP",1,1,,,,,N,,72184011,M50551,72184011,M50551,,,,,,,,,I
2,1,,172161-17200,, "LAMP,WORK",1,1,,,,,,,,,,,,,,,,,,,,,
3,2,,172161-17210,, "BULB 15V-60W",1,1,,,,,,,,,,,,,,,,,,,,,
4,1,,172159-17430,,BAND,5,5,,,,,,,,,,,,,,,,,,,,,
5,1,,172159-17450,, "COVER, LAMP",1,1,,,,,,,,,,,,,,,,,,,,,
6,1,,172159-75500,, "WASHER, SIDE CLUTCH",1,1,,,,,,,,,,,,,,,,,,,,,
7,1,,22137-100000,, "WASHER 10,POLISHED",1,1,,,,,,,,,,,,,,,,,,,,,
8,1,,26013-120302,, "BOLT W/WASHER M12X30",1,1,,,,,,,,,,,,,,,,,,,,,

Fig. 12 WORK LAMP



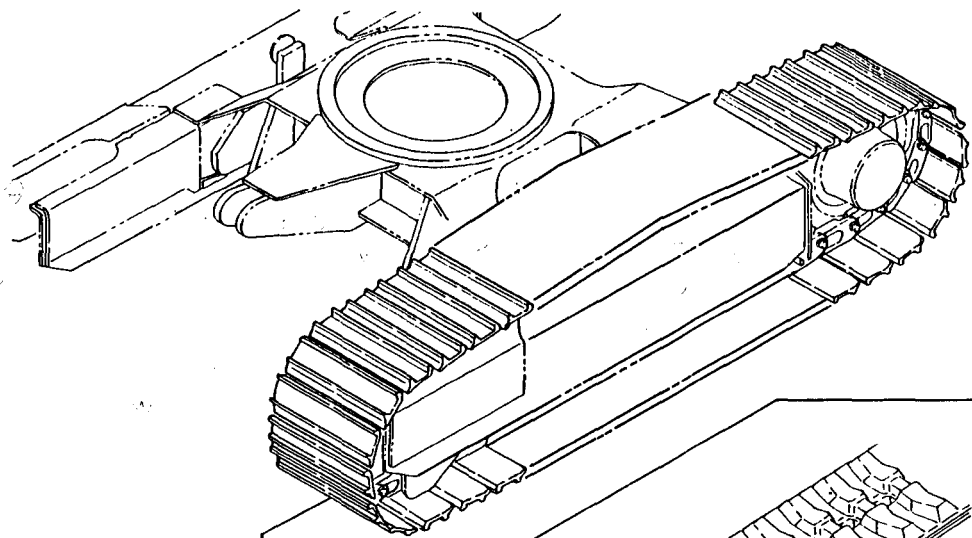
1,1,,172141-29110,,SPROCKET,2,2,,,,,,,,,,,,,
2,1,,26013-120302,, "BOLT W/WASHER M12X30",18,18,,,,,,,,,,,,,
3,1,,172141-37100,, "IDLER 280",2,2,,,,,,,,,,,,,
4,1,,172146-37100,, "IDLER 280",2,2,,,,,,,,,,,,,
5,1,,172141-37111,, "FORK(L), IDLER",2,2,,,,,,,,,,,,,
6,1,,172141-37121,, "FORK(R), IDLER",2,2,,,,,,,,,,,,,
7,1,,172141-99490,, "IDLER KIT, FRONT",2,2,,,,,,,,,,,,,
8,2,,172141-37130,, "SHAFT, IDLER",2,2,,,,,,,,,,,,,
9,2,,172141-37140,, "SEAL 357220",4,4,,,,,,,,,,,,,
10,2,,22242-000300,, "CIRCLIP 30",2,2,,,,,,,,,,,,,
11,2,,22252-000720,, "CIRCLIP 72",4,4,,,,,,,,,,,,,
12,2,,24101-062074,, "BALL BEARING",4,4,,,,,,,,,,,,,
13,1,,772142-37300,, "ROLLER ASSY, TRACK",8,8,,,,,,,,,,,,,
15,2,,172146-37310,, "SHAFT, ROLLER",8,8,,,,,,,,,,,,,
16,2,,172141-37320,, "SPACER 75X2.6",16,16,,,,,,,,,,,,,
17,2,,1A1030-48250,, "SEAL QLF30621218,OIL",16,16,,,,,,,,,,,,,
18,2,,22252-000620,, "CIRCLIP 62(H)",16,16,,,,,,,,,,,,,
19,2,,22252-000750,, "CIRCLIP 75",16,16,,,,,,,,,,,,,
20,2,,933111-73800,, BEARING,16,16,,,,,,,,,,,,,
21,1,,172113-36050,, "BOLT, ROLLER ADJUST",8,8,,,,,,,,,,,,,
22,1,,22217-160000,, "SPRING WASHER 16",8,8,,,,,,,,,,,,,
23,1,,26657-160002,, "CAP NUT M16",8,8,,,,,,,,,,,,,
24,1,,172184-37500,, "ROLLER ASSY, CARRIER",2,2,,,,,,,,,,,,,
26,2,,172146-37510,, "SHAFT, CARIA ROLLER",2,2,,,,,,,,,,,,,
27,2,,172116-37540,, "COVER, BLIND",2,2,,,,,,,,,,,,,
28,2,,1E6140-73420,, "SEAL QLF255218, OIL",2,2,,,,,,,,,,,,,
29,2,,22252-000520,, "CIRCLIP 52",4,4,,,,,,,,,,,,,
30,2,,24101-062054,, "BEARING #6205",4,4,,,,,,,,,,,,,
31,2,,24311-000460,, "O-RING 1A P-46.0",2,2,,,,,,,,,,,,,
32,1,,22451-160170,, "WIRE 1.6X170",2,2,,,,,,,,,,,,,
33,1,,933110-21600,, "BOLT M 8X 18",2,2,,,,,,,,,,,,,
34,1,,172146-37700,, SPRING,2,2,,,,,,,,,,,,,
35,1,,172141-37801,, "PISTON, ADJUST",2,2,,,,,,,,,,,,,
36,1,,172122-37843,, "VALVE ASSY, NIPPLE",2,2,,,,,,,,,,,,,
41,2,,24315-000140,, "O-RING 1B P-14.0",2,2,,,,,,,,,,,,,
42,2,,24761-020000,, "NIPPLE PT1/8,GREASE",2,2,,,,,,,,,,,,,
43,1,,172141-37850,, "RING G35, BACK UP",2,2,,,,,,,,,,,,,
44,1,,24325-000350,, "O-RING 1B G 35.0",2,2,,,,,,,,,,,,,
45,1,,26013-100402,, "BOLT M10X 40",8,8,,,,,,,,,,,,,
46,1,,933126-34300,, "SEAL 3547710",2,2,,,,,,,,,,,,,
47,1,,933171-13691,, "PLUG PT1/8",2,2,,,,,,,,,,,,,

Fig. 13 ROLLER & ADJUST

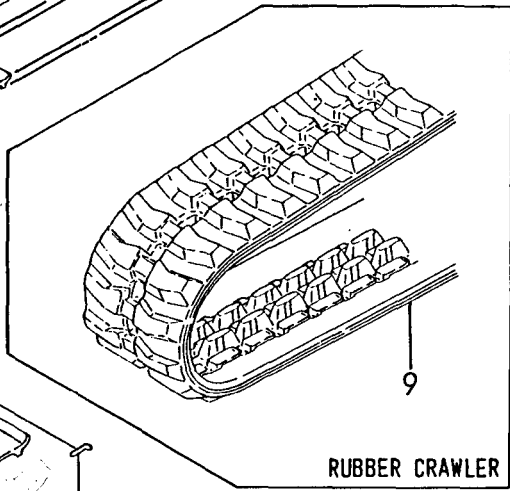
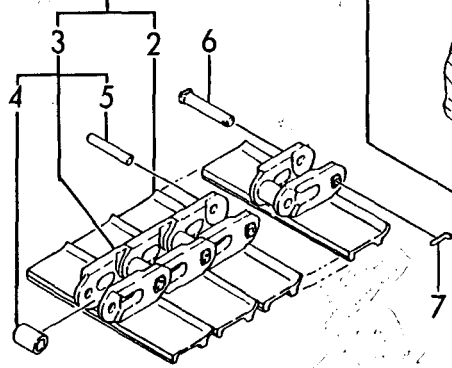


1,1,,172142-38100,, "CRAWLER 320 ASSY",2,2,,,,,,,,,,,,,
2,2,,172072-13790,, "PLATE, SHOE",80,80,,,,,,,,,,,,,
3,2,,172142-38110,, "LINK ASSY, TRACK",2,2,,,,,,,,,,,,,
4,3,,172141-38200,, BUSH,80,80,,,,,,,,,,,,,
5,3,,172141-38210,, "PIN, CRAWLER",78,78,,,,,,,,,,,,,
6,1,,172141-38220,, "PIN, MASTER",2,2,,,,,,,,,,,,,
7,1,,172614-38300,, "PIN 5X45, LOCK",2,2,,,,,,,,,,,,,
8,1,,172141-38250,, "TRACK 320, MASTER",2,2,,,,,1,,,,,,,,,
9,1,,172146-38601,, "CRAWLER, RUBBER",2,2,,,,,,,,,,,,,

Fig. 14 CRAWLER

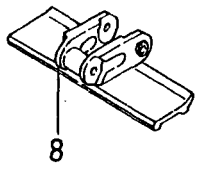


CRAWLER(320)



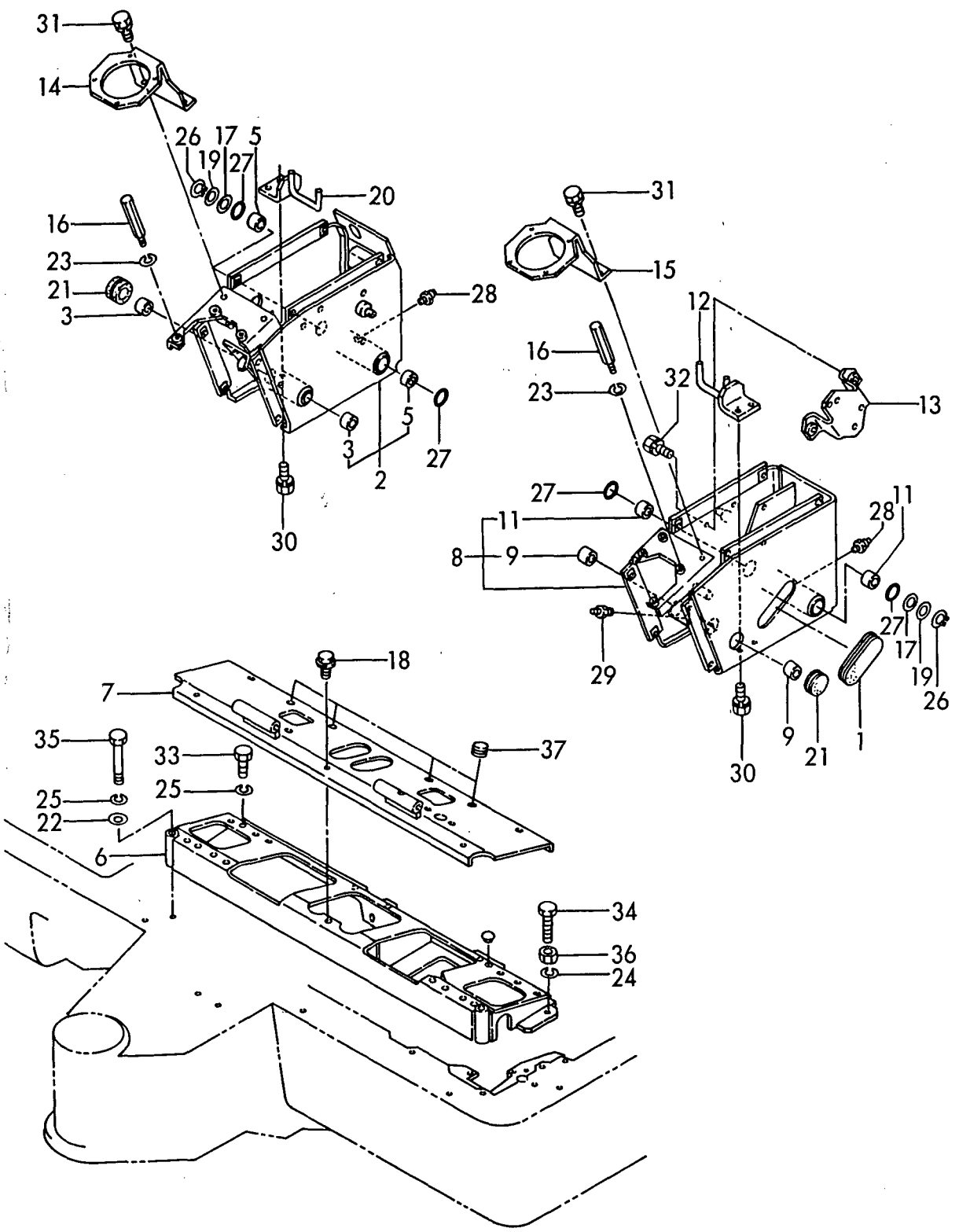
RUBBER CRAWLER

REPAIR PARTS



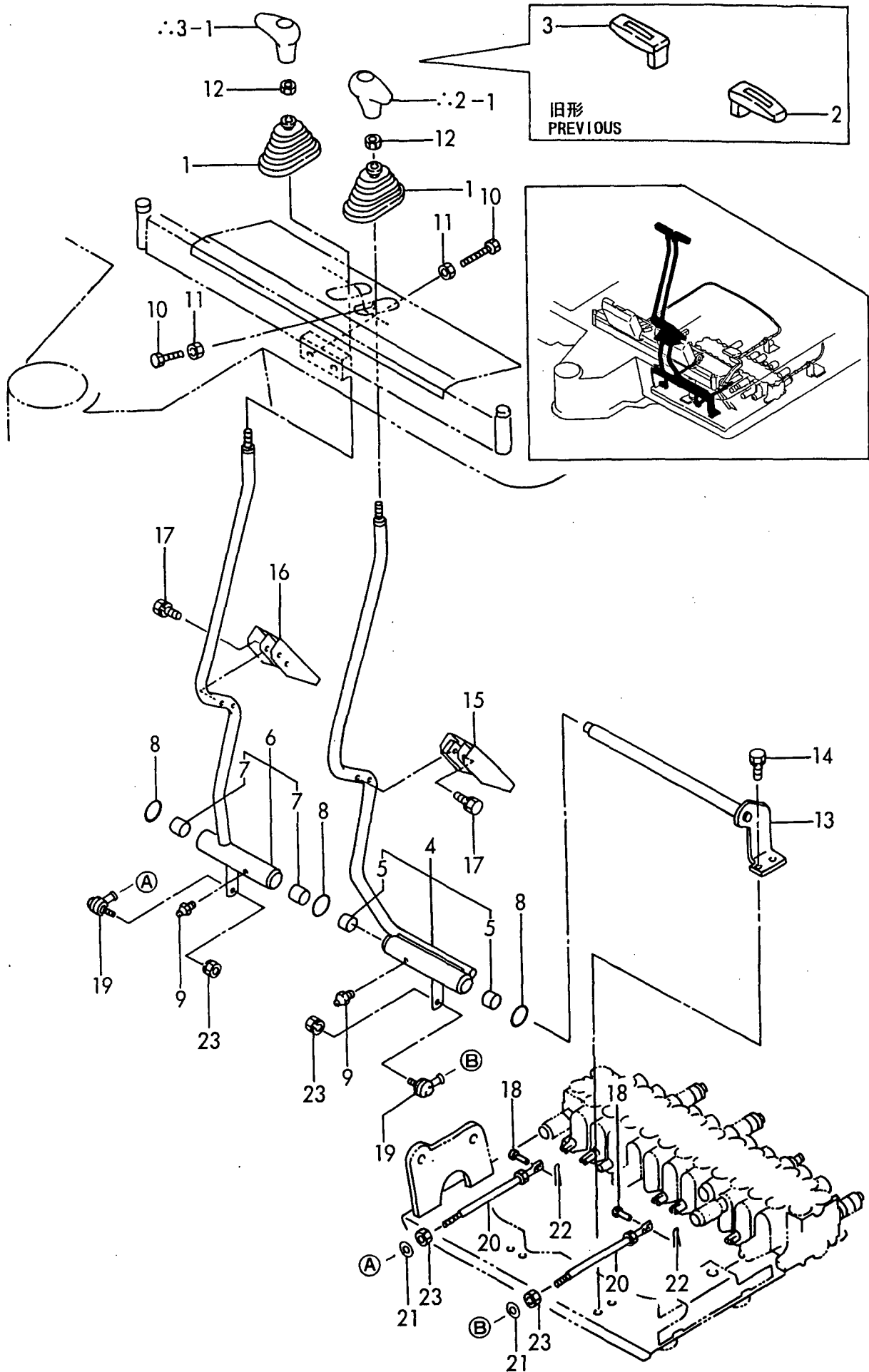
1,1,,172146-41320,,GROMMET,1,1,,,,,,,,,,,,,
2,1,,172174-44100,, "STAND R, LEVER",1,1,,,,,,,,,,,,,
3,2,,172161-41370,, "BUSH 2015",2,2,,,,,,,,,,,,,
5,2,,24550-025150,, "BUSH 25X15",2,2,,,,,,,,,,,,,
6,1,,172174-44111,, "SUPPORT ASSY, FRONT",1,1,,,,,,,,,,,,,
7,1,,172174-44210,, COVER,1,1,,,,,,,,,,,,,
8,1,,172174-44450,, "STAND L, LEVER",1,1,,,,,,,,,,,,,
9,2,,172161-41370,, "BUSH 2015",2,2,,,,,,,,,,,,,
11,2,,24550-025150,, "BUSH 25X15",2,2,,,,,,,,,,,,,
12,1,,172174-44710,, "GUIDE L, HOSE",1,1,,,,,,,,,,,,,
13,1,,172174-44740,, "BRACKET, ACCEL",1,1,,,,,,,,,,,,,
14,1,,172174-44770,, "BRACKET R",1,1,,,,,,,,,,,,,
15,1,,172174-44790,, "BRACKET L COMP.,EP",1,1,,,,,,,,,,,,,
16,1,,172174-44810,, "BOLT M 8",4,4,,,,,,,,,,,,,
17,1,,172174-44820,, "SHIM 42X25.5X0.5",4,4,,,,,,,,,,,,,
18,1,,172174-44850,, "BOLT 8X 16",5,5,,,,,,,,,,,,,
19,1,,172174-44860,, WASHER,2,2,,,,,,,,,,,,,
20,1,,172174-44870,, "GUIDE COMP.,HOSE",1,1,,,,,,,,,,,,,
21,1,,172151-53430,, GROMMET,2,2,,,,,,,,,,,,,
22,1,,172159-65930,, "WASHER 10",2,2,,,,,,,,,,,,,
23,1,,22217-080000,, "SPRING WASHER 8",4,4,,,,,,,,,,,,,
24,1,,22217-100000,, "SPRING WASHER 10",1,1,,,,,,,,,,,,,
25,1,,22217-100000,, "SPRING WASHER 10",4,4,,,,,,,,,,,,,
26,1,,22242-000250,, "CIRCLIP 25S",2,2,,,,,,,,,,,,,
27,1,,24311-000340,, "O-RING 1A P-34.0",4,4,,,,,,,,,,,,,
28,1,,24761-020000,, "NIPPLE PT1/8,GREASE",2,2,,,,,,,,,,,,,
29,1,,24761-020000,, "NIPPLE PT1/8,GREASE",1,1,,,,,,,,,,,,,
30,1,,26013-080202,, "BOLT W/WASHER M8X20",4,4,,,,,,,,,,,,,
31,1,,26013-080202,, "BOLT W/WASHER M8X20",4,4,,,,,,,,,,,,,
32,1,,26013-100202,, "BOLT W/WASHER M10X20",2,2,,,,,,,,,,,,,
33,1,,26116-100202,, "BOLT M10X 20 PLATED",4,4,,,,,,,,,,,,,
34,1,,26116-100504,, "BOLT M10X 50 PLATED",1,1,,,,,,,,,,,,,
35,1,,26116-100902,, "BOLT M10X 90 PLATED",2,2,,,,,,,,,,,,,
36,1,,26716-100002,, "NUT M10",1,1,,,,,,,,,,,,,
37,1,,194630-62360,, GROMMET,4,4,,,,,,,,,,,,,

Fig. 15 CONTROL EQUIPMENT (LEVER STAND)



1,1,,172141-41340,,BOOTS,2,2,,,,,,,,,,,,,
2,1,,172122-45050,,,"KNOB (L)",1,1,,,,,,,,,,,,,
2-1,1,,172164-45950,,,"GRIP L,
DRIV." ,1,1,,,,,S,,72184009,M50551,72184009,M50551,,,,,,,,,I
3,1,,172122-45060,,,"KNOB (R)",1,1,,,,,,,,,,,,,
3-1,1,,172164-45960,,,"GRIP R,
DRIV." ,1,1,,,,,S,,72184009,M50551,72184009,M50551,,,,,,,,,I
4,1,,172174-45100,,LEVER(L),1,1,,,,,,,,,,,,,
4-1,1,,172174-
45101,,LEVER(L),1,1,,,,,S,,72184009,M50551,72184009,M50551,,,,,,,,,I
5,2,,172161-41370,,,"BUSH 2015",2,2,,,,,,,,,,,,,
6,1,,172174-45160,,,"LEVER(R), TRACK",1,1,,,,,,,,,,,,,
6-1,1,,172174-45161,,,"LEVER(R),
TRACK" ,1,1,,,,,S,,72184009,M50551,72184009,M50551,,,,,,,,,I
7,2,,172161-41370,,,"BUSH 2015",2,2,,,,,,,,,,,,,
8,1,,172161-46200,,,"O-RING 27X5.7",3,3,,,,,,,,,,,,,
9,1,,24761-020000,,,"NIPPLE PT1/8,GREASE",2,2,,,,,,,,,,,,,
10,1,,26116-100504,,,"BOLT M10X 50 PLATED",4,4,,,,,,,,,,,,,
11,1,,26716-100002,,,"NUT M10",4,4,,,,,,,,,,,,,
12,1,,26756-100002,,,"LOCK NUT M10 PLATED",2,2,,,,,,,,,,,,,
13,1,,172174-45380,,,"SHAFT, TRACK",1,1,,,,,,,,,,,,,
14,1,,26013-100252,,,"BOLT W/WASHER M10X25",2,2,,,,,,,,,,,,,
15,1,,172174-46100,,,"PEDAL L ASSY",1,1,,,,,,,,,,,,,
16,1,,172174-46150,,,"PEDAL R COMP",1,1,,,,,,,,,,,,,
17,1,,26013-060302,,,"BOLT M 6X 30",4,4,,,,,,,,,,,,,
18,1,,172159-42910,,,"PIN 4.75X14",2,2,,,,,,,,,,,,,
19,1,,172122-46590,,,"ELBALL 8",2,2,,,,,,,,,,,,,
20,1,,172174-47120,,,"ROD 200",2,2,,,,,,,,,,,,,
21,1,,22137-080000,,,"WASHER 8, POLISHED",2,2,,,,,,,,,,,,,
22,1,,22417-160160,,,"COTTER PIN 1.6X16",2,2,,,,,,,,,,,,,
23,1,,26051-080002,,,"NUT M 8",4,4,,,,,,,,,,,,,

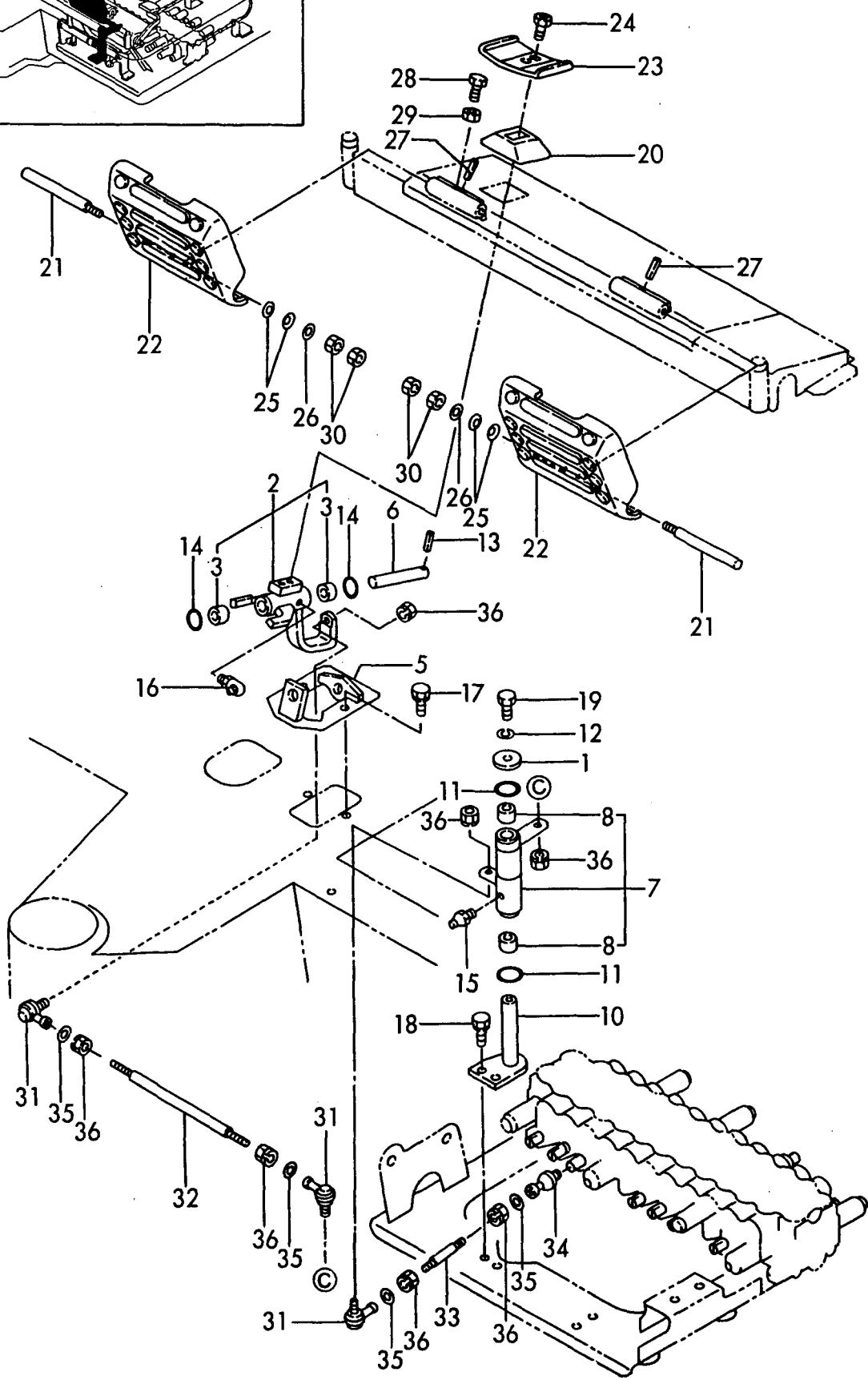
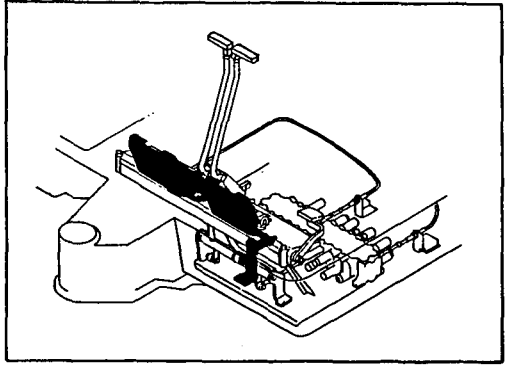
Fig.16 CONTROL EQUIPMENT(DRIVE)



∴ MARKED PART HAS BEEN CHANGED (ADDED).

1,1,,172159-41860,, "WASHER 10 36 4.5",1,1,,,,,,,,,,,,,,,,,,,,,
2,1,,172174-45410,, "LINK, PEDAL",1,1,,,,,,,,,,,,,,,,,,,,,
3,2,,172161-41360,, "BUSH 1415",2,2,,,,,,,,,,,,,,,,,,,,,
5,1,,172174-45470,, "BRACKET, PEDAL",1,1,,,,,,,,,,,,,,,,,,,,,
6,1,,172174-45510,, "PIN 14X105",1,1,,,,,,,,,,,,,,,,,,,,,
7,1,,172174-45520,, "LINK W/BUSH, SWING",1,1,,,,,,,,,,,,,,,,,,,,,
8,2,,172161-41370,, "BUSH 2015",2,2,,,,,,,,,,,,,,,,,,,,,
10,1,,172174-45570,, "SHAFT",1,1,,,,,,,,,,,,,,,,,,,,,
11,1,,172161-46200,, "O-RING 27X5.7",2,2,,,,,,,,,,,,,,,,,,,,,
12,1,,22217-100000,, "SPRING WASHER 10",1,1,,,,,,,,,,,,,,,,,,,,,
13,1,,22351-040032,, "SPRING PIN 4X32",1,1,,,,,,,,,,,,,,,,,,,,,
14,1,,24311-000210,, "O-RING 1A P-21.0",2,2,,,,,,,,,,,,,,,,,,,,,
15,1,,24761-020000,, "NIPPLE PT1/8,GREASE",1,1,,,,,,,,,,,,,,,,,,,,,
16,1,,24761-040000,, "NIPPLE B,GREASE",1,1,,,,,,,,,,,,,,,,,,,,,
17,1,,26013-100202,, "BOLT W/WASHER M10X20",2,2,,,,,,,,,,,,,,,,,,,,,
18,1,,26013-100252,, "BOLT W/WASHER M10X25",2,2,,,,,,,,,,,,,,,,,,,,,
19,1,,26116-100202,, "BOLT M10X 20 PLATED",1,1,,,,,,,,,,,,,,,,,,,,,
20,1,,172157-45990,, "BOOTS, PEDAL",1,1,,,,,,,,,,,,,,,,,,,,,
21,1,,172174-46230,, "SHAFT, SWING",2,2,,,,,,,,,,,,,,,,,,,,,
22,1,,172174-46260,, "COVER, PEDAL",2,2,,,,,,,,,,,,,,,,,,,,,
23,1,,172174-46280,, "PEDAL COMP., SWING",1,1,,,,,,,,,,,,,,,,,,,,,
24,1,,172174-46350,, "BOLT",2,2,,,,,,,,,,,,,,,,,,,,,
25,1,,172174-46360,, "SPRING 8",4,4,,,,,,,,,,,,,,,,,,,,,
26,1,,22137-080000,, "WASHER 8, POLISHED",2,2,,,,,,,,,,,,,,,,,,,,,
27,1,,22351-040020,, "SPRING PIN 4X20",2,2,,,,,,,,,,,,,,,,,,,,,
28,1,,26116-080254,, "BOLT M 8X 25 PLATED",2,2,,,,,,,,,,,,,,,,,,,,,
29,1,,26716-080002,, "NUT M 8",2,2,,,,,,,,,,,,,,,,,,,,,
30,1,,26756-080002,, "LOCK NUT M 8 PLATED",4,4,,,,,,,,,,,,,,,,,,,,,
31,1,,172122-46590,, "ELBALL 8",3,3,,,,,,,,,,,,,,,,,,,,,
32,1,,172174-47140,, "ROD 240",1,1,,,,,,,,,,,,,,,,,,,,,
33,1,,172174-47150,, "ROD 100",1,1,,,,,,,,,,,,,,,,,,,,,
34,1,,172122-47250,, "BALL 8, LINK",1,1,,,,,,,,,,,,,,,,,,,,,
35,1,,22137-080000,, "WASHER 8, POLISHED",4,4,,,,,,,,,,,,,,,,,,,,,
36,1,,26051-080002,, "NUT M 8",7,7,,,,,,,,,,,,,,,,,,,,,

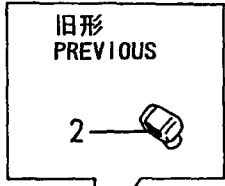
Fig.17 CONTROL EQUIPMENT(SWING)



1,1,,172174-45210,, "LEVER ASSY, BLADE S",1,1,,,,,,,,,,,,,
1-1,1,,172174-45211,, "LEVER ASSY, BLADE
S",1,1,,,,,S,,72184009,M50551,72184009,M50551,,,,,,,,,I
2,1,,172116-45940,, "KNOB (C), LEVER",1,1,,,,,,,,,,,,,
2-1,1,,172164-45970,, "GRIP,
BLADE",1,1,,,,,S,,72184009,M50551,72184009,M50551,,,,,,,,,I
3,1,,22351-050032,, "SPRING PIN 5X32",1,1,,,,,,,,,,,,,
4,1,,172174-45300,, "LINK, BLADE",1,1,,,,,,,,,,,,,
5,1,,172174-45330,, "BRACKET ASY",1,1,,,,,,,,,,,,,
6,2,,172161-41360,, "BUSH 1415",2,2,,,,,,,,,,,,,
8,1,,24311-000210,, "O-RING 1A P-21.0",2,2,,,,,,,,,,,,,
9,1,,26013-100202,, "BOLT W/WASHER M10X20",3,3,,,,,,,,,,,,,
10,1,,26116-100354,, "BOLT M10X 35 PLATED",2,2,,,,,,,,,,,,,
11,1,,26716-100002,, "NUT M10",2,2,,,,,,,,,,,,,
12,1,,172159-42910,, "PIN 4.75X14",1,1,,,,,,,,,,,,,
13,1,,172159-42940,, "JOINT, CABLE",1,1,,,,,,,,,,,,,
14,1,,172141-42950,, "CABLE, BLADE",1,1,,,,,,,,,,,,,
15,1,,172122-46590,, "ELBALL 8",1,1,,,,,,,,,,,,,
16,1,,172174-47100,, "SUPPORT,BR CABLE",1,1,,,,,,,,,,,,,
17,1,,172174-47110,, "ROD,SPOOL",1,1,,,,,,,,,,,,,
18,1,,172174-47160,, "WASHER 20X9X3.2",1,1,,,,,,,,,,,,,
19,1,,22417-160160,, "COTTER PIN 1.6X16",1,1,,,,,,,,,,,,,
20,1,,26013-100202,, "BOLT W/WASHER M10X20",2,2,,,,,,,,,,,,,
21,1,,26051-080002,, "NUT M 8",1,1,,,,,,,,,,,,,

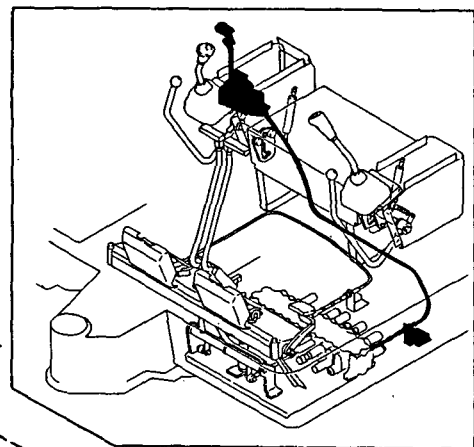
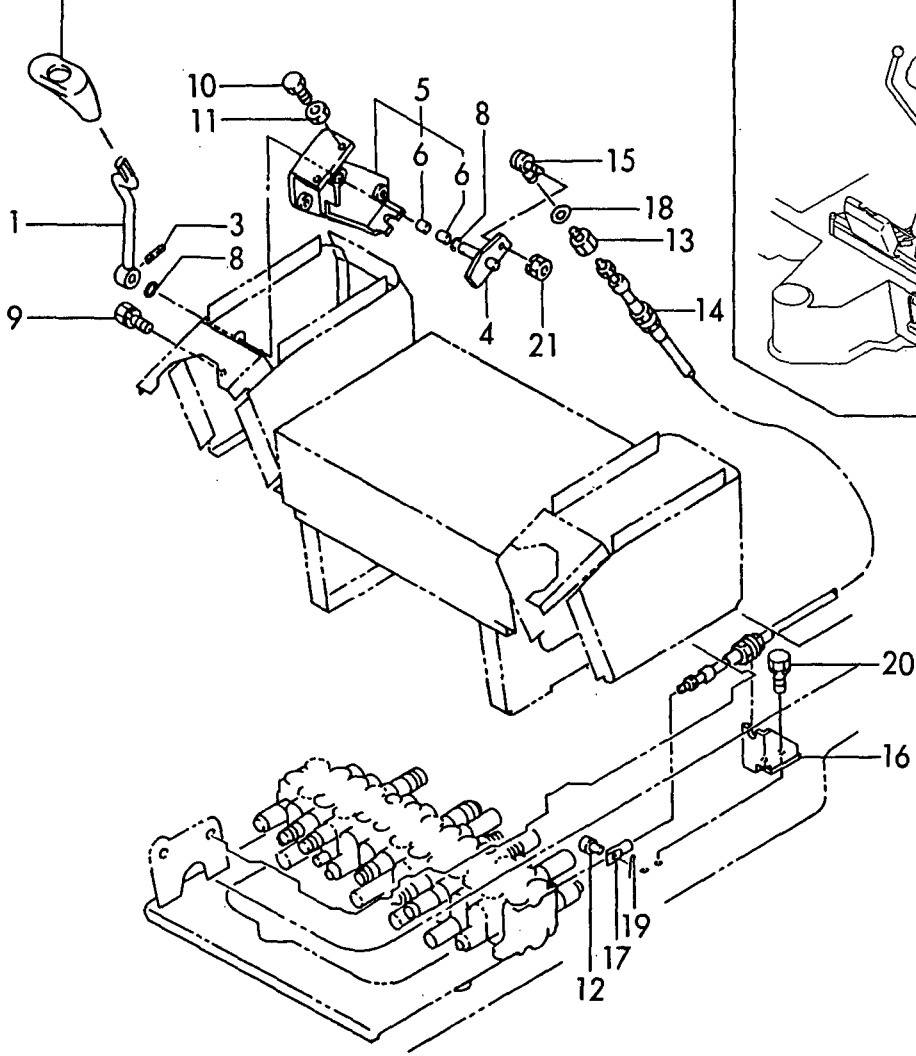
Fig.18 CONTROL EQUIPMENT(BLADE)

旧形
PREVIOUS



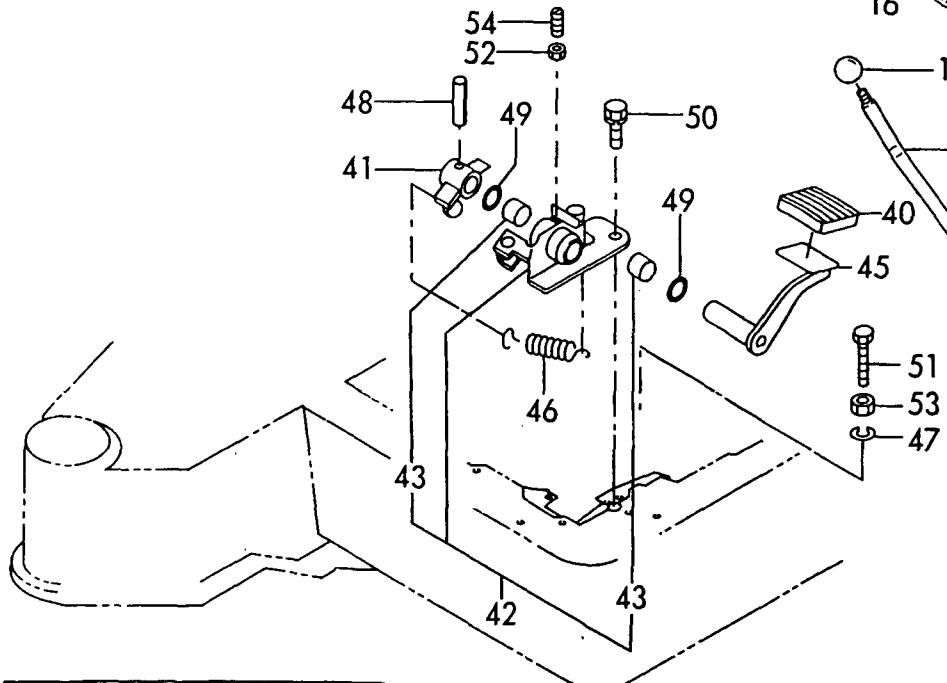
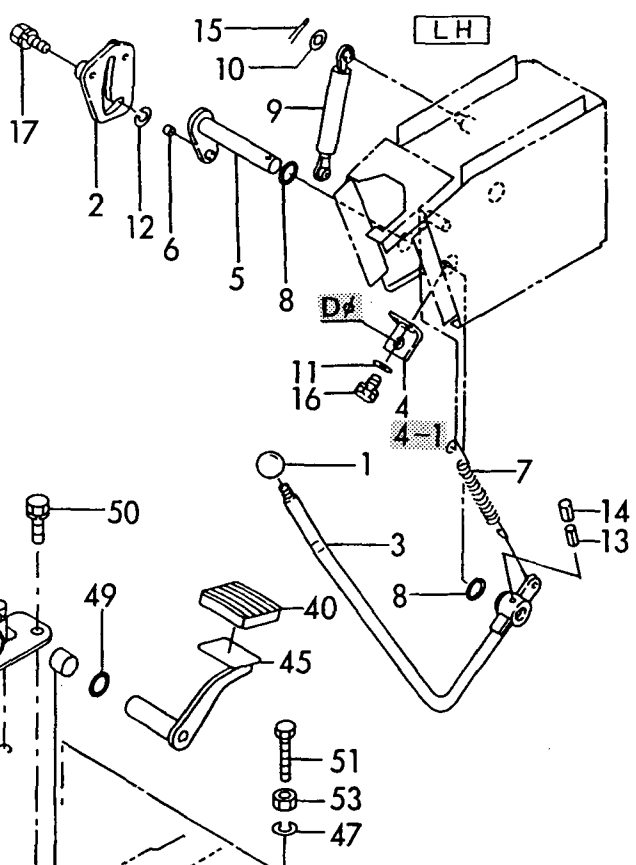
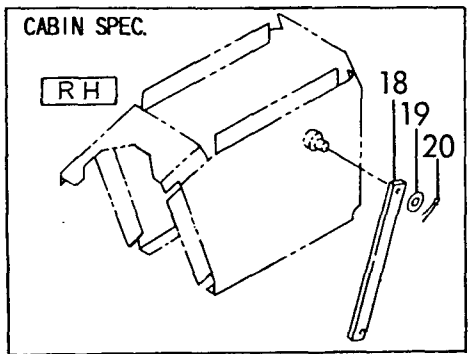
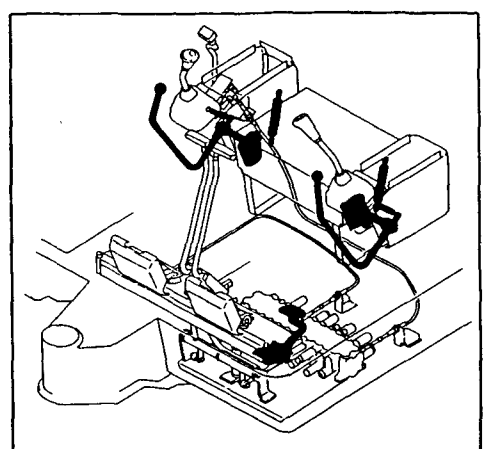
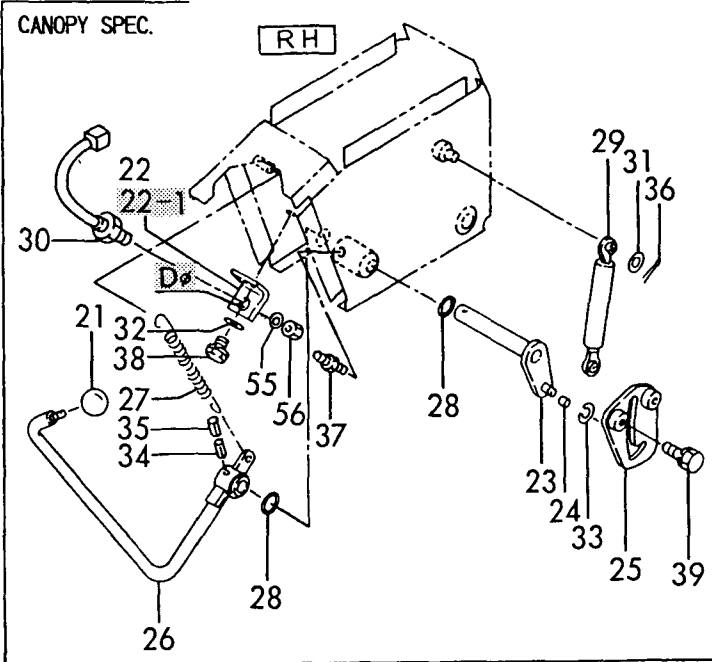
2

2-1



1,1,,1D4070-23580,, "GRIP,RED ROUND",1,1,,,,,,,,,,,,,,,,,,,,,
2,1,,172174-44630,, "GUIDE L COMP.,LOCK",1,1,,,,,,,,,,,,,,,,,,,,,
3,1,,172174-44660,, "RUBBER L CMP,EP LOCK",1,1,,,,,,,,,,,,,,,,,,,,,
4,1,,172174-45710,, "BRACKET,SAFETY SW.",1,1,,,,,,,,,,,,,,,,,,,,,
4-1,1,,172174-
45711,,PLATE,1,1,,,,,S,1,72174033,*1995.10,72174033,*1995.10,,,,,,,,,,,,,I
5,1,,172174-45720,, "ARM, LOCK",1,1,,,,,,,,,,,,,,,,,,,,,
6,1,,172174-45760,, BUSH,1,1,,,,,,,,,,,,,,,,,,,,,
7,1,,172174-45840,, "SPRING,ROTARY RETURN",1,1,,,,,,,,,,,,,,,,,,,,,
8,1,,172161-46200,, "O-RING 27X5.7",2,2,,,,,,,,,,,,,,,,,,,,,
9,1,,172165-47801,, "SPRING,GAS",1,1,,,,,,,,,,,,,,,,,,,,,
10,1,,22137-080000,, "WASHER 8, POLISHED",2,2,,,,,,,,,,,,,,,,,,,,,
11,1,,22137-080000,, "WASHER 8, POLISHED",2,2,,,,,,,,,,,,,,,,,,,,,
12,1,,22272-000070,, "CIRCLIP E- 7",1,1,,,,,,,,,,,,,,,,,,,,,
13,1,,22351-035040,, "SPRING PIN 3.5X40",1,1,,,,,,,,,,,,,,,,,,,,,
14,1,,22351-060040,, "SPRING PIN 6X40",1,1,,,,,,,,,,,,,,,,,,,,,
15,1,,22417-200200,, "COTTER PIN 2.0X20",2,2,,,,,,,,,,,,,,,,,,,,,
16,1,,26013-080202,, "BOLT W/WASHER M8X20",2,2,,,,,,,,,,,,,,,,,,,,,
17,1,,26013-100202,, "BOLT W/WASHER M10X20",2,2,,,,,,,,,,,,,,,,,,,,,
18,1,,172174-47970,, BAR,1,,,,,,,,,,,,,,,,,,,,,
19,1,,22137-080000,, "WASHER 8, POLISHED",2,,,,,,,,,,,,,,,,,,,,,
20,1,,22417-200200,, "COTTER PIN 2.0X20",2,,,,,,,,,,,,,,,,,,,,,
21,1,,1D4070-23580,, "GRIP,RED ROUND",,1,,,,,,,,,,,,,,,,,,,,,
22,1,,172174-45710,, "BRACKET,SAFETY SW.",,1,,,,,,,,,,,,,,,,,,,,,
22-1,1,,172174-45711,,PLATE,,1,,,,,S,1,,72174033,*1995.10,,,,,,,,,,,,,I
23,1,,172174-45720,, "ARM, LOCK",,1,,,,,,,,,,,,,,,,,,,,,
24,1,,172174-45760,, BUSH,,1,,,,,,,,,,,,,,,,,,,,,
25,1,,172174-45770,, "GUIDE R ASSY, LOCK",,1,,,,,,,,,,,,,,,,,,,,,
26,1,,172174-45800,, "LEVER R CMP.,EP LOCK",,1,,,,,,,,,,,,,,,,,,,,,
27,1,,172174-45840,, "SPRING,ROTARY RETURN",,1,,,,,,,,,,,,,,,,,,,,,
28,1,,172161-46200,, "O-RING 27X5.7",,2,,,,,,,,,,,,,,,,,,,,,
29,1,,172165-47801,, "SPRING,GAS",,1,,,,,,,,,,,,,,,,,,,,,
30,1,,194464-52190,, "SWITCH, SAFETY START",,1,,,,,,,,,,,,,,,,,,,,,
31,1,,22137-080000,, "WASHER 8, POLISHED",,2,,,,,,,,,,,,,,,,,,,,,
32,1,,22137-080000,, "WASHER 8, POLISHED",,2,,,,,,,,,,,,,,,,,,,,,
33,1,,22272-000070,, "CIRCLIP E- 7",,1,,,,,,,,,,,,,,,,,,,,,
34,1,,22351-035040,, "SPRING PIN 3.5X40",,1,,,,,,,,,,,,,,,,,,,,,
35,1,,22351-060040,, "SPRING PIN 6X40",,1,,,,,,,,,,,,,,,,,,,,,
36,1,,22417-200200,, "COTTER PIN 2.0X20",,2,,,,,,,,,,,,,,,,,,,,,
37,1,,24761-020000,, "NIPPLE PT1/8,GREASE",,1,,,,,,,,,,,,,,,,,,,,,
38,1,,26013-080202,, "BOLT W/WASHER M8X20",,2,,,,,,,,,,,,,,,,,,,,,
39,1,,26013-100202,, "BOLT W/WASHER M10X20",,2,,,,,,,,,,,,,,,,,,,,,
40,1,,172122-45830,, "PAD, METAL",1,1,,,,,,,,,,,,,,,,,,,,,
41,1,,172184-46480,, LINK,1,1,,,,,,,,,,,,,,,,,,,,,
42,1,,172184-46550,, "BRACKET ASSY",1,1,,,,,,,,,,,,,,,,,,,,,
43,2,,172161-41360,, "BUSH 1415",2,2,,,,,,,,,,,,,,,,,,,,,
45,1,,172184-46610,, PEDAL,1,1,,,,,,,,,,,,,,,,,,,,,
46,1,,172184-46690,, "SPRING 2.3X13X57",1,1,,,,,,,,,,,,,,,,,,,,,
47,1,,22217-100000,, "SPRING WASHER 10",1,1,,,,,,,,,,,,,,,,,,,,,
48,1,,22351-050025,, "SPRING PIN 5X25",1,1,,,,,,,,,,,,,,,,,,,,,
49,1,,24311-000210,, "O-RING 1A P-21.0",4,4,,,,,,,,,,,,,,,,,,,,,
50,1,,26013-100252,, "BOLT W/WASHER M10X25",2,2,,,,,,,,,,,,,,,,,,,,,
51,1,,26116-100504,, "BOLT M10X 50 PLATED",1,1,,,,,,,,,,,,,,,,,,,,,
52,1,,26716-060002,, "NUT M 6",1,1,,,,,,,,,,,,,,,,,,,,,
53,1,,26716-100002,, "NUT M10",1,1,,,,,,,,,,,,,,,,,,,,,
54,1,,26911-060202,, "SCREW M 6X 20",1,1,,,,,,,,,,,,,,,,,,,,,
55,1,,22137-180000,, "WASHER 18",,1,,,,,,,,,,,,,,,,,,,,,
56,1,,26776-180002,, "NUT M18,LOCK",,1,,,,,,,,,,,,,,,,,,,,,

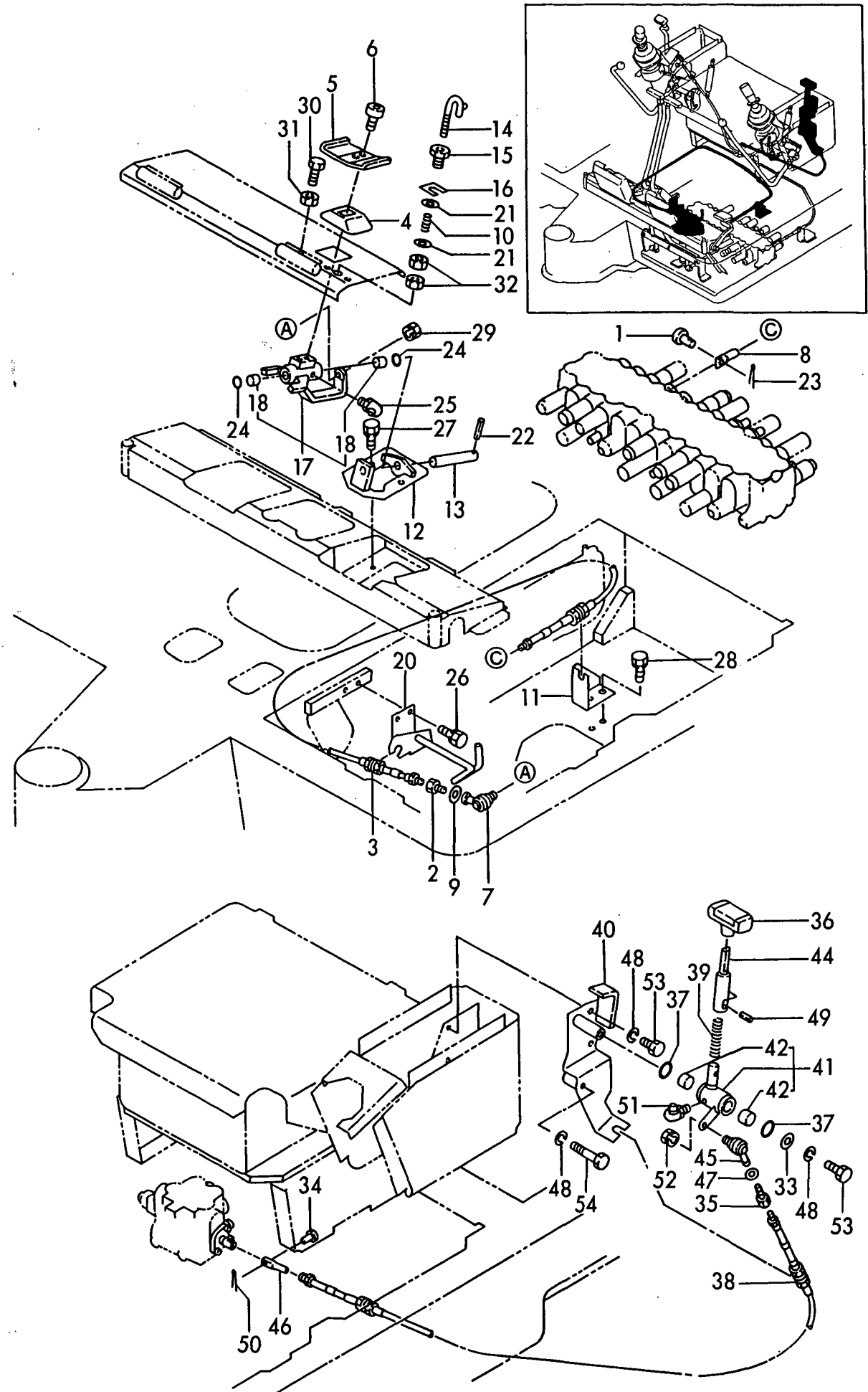
Fig.19 CONTROL EQUIP. (CUT OFF LEVER & LOW-HIGH PEDAL)



が今回変更した箇所です。
PART HAS BEEN CHANGED.

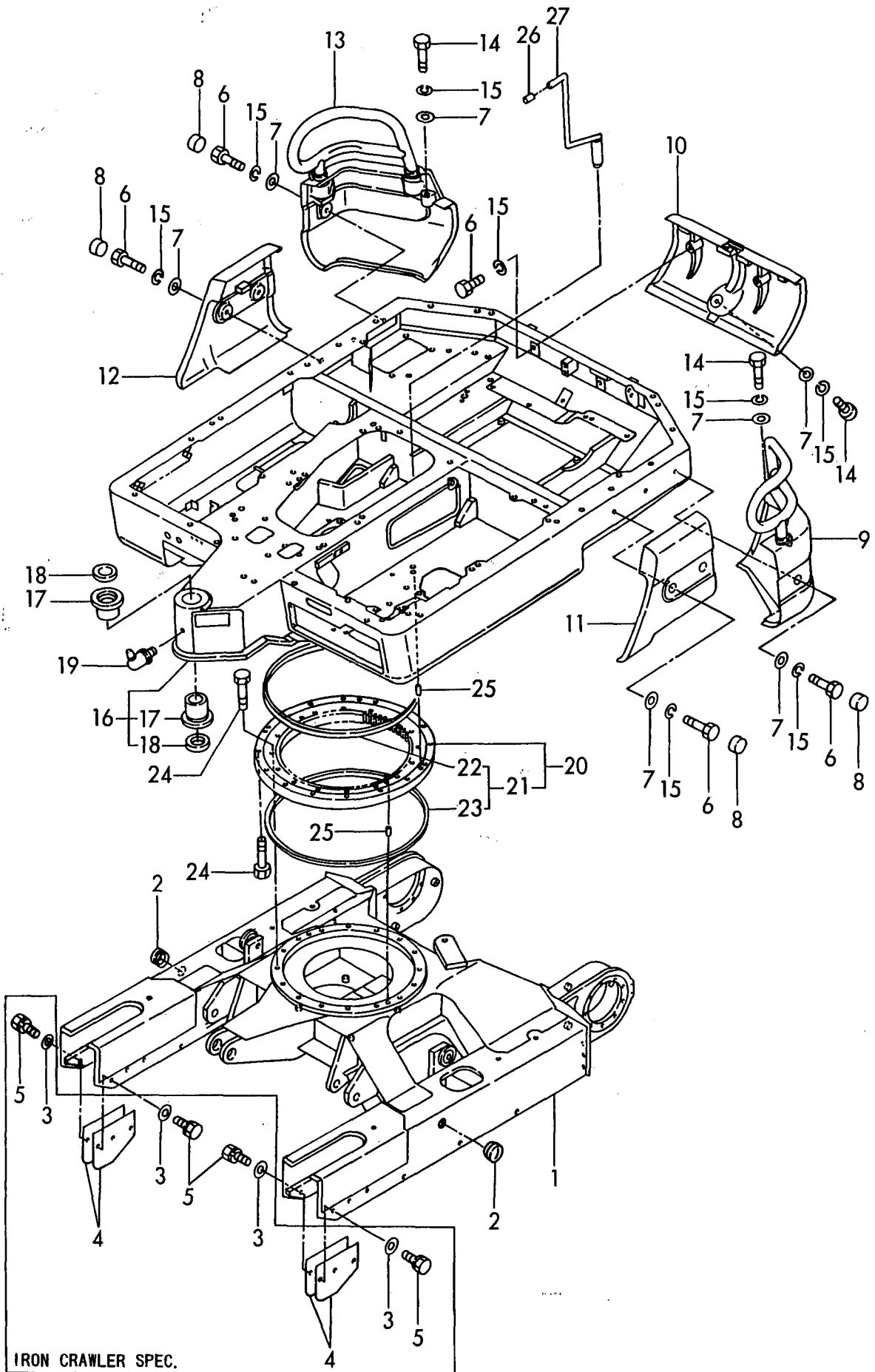
1,1,,172159-42910,, "PIN 4.75X14",1,1,,,,,,,,,,,,,,,,,,,,,
2,1,,172159-42940,, "JOINT, CABLE",1,1,,,,,,,,,,,,,,,,,,,,,
3,1,,172151-45650,, "CABLE",1,1,,,,,,,,,,,,,,,,,,,,,
4,1,,172157-45990,, "BOOTS, PEDAL",1,1,,,,,,,,,,,,,,,,,,,,,
5,1,,172174-46280,, "PEDAL COMP., SWING",1,1,,,,,,,,,,,,,,,,,,,,,
6,1,,172174-46350,, "BOLT",2,2,,,,,,,,,,,,,,,,,,,,,
7,1,,172122-46590,, "ELBALL 8",1,1,,,,,,,,,,,,,,,,,,,,,
8,1,,172174-47110,, "ROD, SPOOL",1,1,,,,,,,,,,,,,,,,,,,,,
9,1,,172174-47160,, "WASHER 20X9X3.2",1,1,,,,,,,,,,,,,,,,,,,,,
10,1,,172174-47200,, "SPRING, LOCK",1,1,,,,,,,,,,,,,,,,,,,,,
11,1,,172174-47210,, "SUPPORT, P.T.O. CABLE",1,1,,,,,,,,,,,,,,,,,,,,,
12,1,,172174-47260,, "BRACKET, PEDAL",1,1,,,,,,,,,,,,,,,,,,,,,
13,1,,172174-47300,, "PIN 14X105",1,1,,,,,,,,,,,,,,,,,,,,,
14,1,,172174-47310,, "LOCK CMP",1,1,,,,,,,,,,,,,,,,,,,,,
15,1,,172174-47340,, "BOLT",1,1,,,,,,,,,,,,,,,,,,,,,
16,1,,172174-47350,, "SHIM",5,5,,,,,,,,,,,,,,,,,,,,,
17,1,,172174-47360,, "LINK, PEDAL",1,1,,,,,,,,,,,,,,,,,,,,,
18,2,,172161-41360,, "BUSH 1415",2,2,,,,,,,,,,,,,,,,,,,,,
20,1,,172174-47420,, "BRACKET COMP., P.T.O.",1,1,,,,,,,,,,,,,,,,,,,,,
21,1,,22137-080000,, "WASHER 8, POLISHED",2,2,,,,,,,,,,,,,,,,,,,,,
22,1,,22351-040032,, "SPRING PIN 4X32",1,1,,,,,,,,,,,,,,,,,,,,,
23,1,,22417-160160,, "COTTER PIN 1.6X16",1,1,,,,,,,,,,,,,,,,,,,,,
24,1,,24311-000210,, "O-RING 1A P-21.0",2,2,,,,,,,,,,,,,,,,,,,,,
25,1,,24761-040000,, "NIPPLE B, GREASE",1,1,,,,,,,,,,,,,,,,,,,,,
26,1,,26013-100162,, "BOLT M10X 16",2,2,,,,,,,,,,,,,,,,,,,,,
27,1,,26013-100202,, "BOLT W/WASHER M10X20",2,2,,,,,,,,,,,,,,,,,,,,,
28,1,,26013-100202,, "BOLT W/WASHER M10X20",2,2,,,,,,,,,,,,,,,,,,,,,
29,1,,26051-080002,, "NUT M 8",1,1,,,,,,,,,,,,,,,,,,,,,
30,1,,26116-080254,, "BOLT M 8X 25 PLATED",2,2,,,,,,,,,,,,,,,,,,,,,
31,1,,26716-080002,, "NUT M 8",2,2,,,,,,,,,,,,,,,,,,,,,
32,1,,26756-080002,, "LOCK NUT M 8 PLATED",2,2,,,,,,,,,,,,,,,,,,,,,
33,1,,172159-41860,, "WASHER 10 36 4.5",1,1,,,,,,,,,,,,,,,,,,,,,
34,1,,172159-42910,, "PIN 4.75X14",1,1,,,,,,,,,,,,,,,,,,,,,
35,1,,172159-42940,, "JOINT, CABLE",1,1,,,,,,,,,,,,,,,,,,,,,
36,1,,172116-45940,, "KNOB (C), LEVER",1,1,,,,,,,,,,,,,,,,,,,,,
37,1,,172161-46200,, "O-RING 27X5.7",2,2,,,,,,,,,,,,,,,,,,,,,
38,1,,172168-46231,, "CABLE, 3RDV",1,1,,,,,,,,,,,,,,,,,,,,,
39,1,,172174-46400,, "SPRING 13X1.2X70",1,1,,,,,,,,,,,,,,,,,,,,,
40,1,,172174-46410,, "BRACKET",1,1,,,,,,,,,,,,,,,,,,,,,
41,1,,172174-46470,, "LINK COMPL.",1,1,,,,,,,,,,,,,,,,,,,,,
42,2,,172161-41370,, "BUSH 2015",2,2,,,,,,,,,,,,,,,,,,,,,
44,1,,172174-46510,, "LEVER, REGULATOR",1,1,,,,,,,,,,,,,,,,,,,,,
45,1,,172122-46590,, "ELBALL 8",1,1,,,,,,,,,,,,,,,,,,,,,
46,1,,172174-47110,, "ROD, SPOOL",1,1,,,,,,,,,,,,,,,,,,,,,
47,1,,172174-47160,, "WASHER 20X9X3.2",2,2,,,,,,,,,,,,,,,,,,,,,
48,1,,22217-100000,, "SPRING WASHER 10",4,4,,,,,,,,,,,,,,,,,,,,,
49,1,,22351-080020,, "SPRING PIN 8X20",1,1,,,,,,,,,,,,,,,,,,,,,
50,1,,22417-160160,, "COTTER PIN 1.6X16",1,1,,,,,,,,,,,,,,,,,,,,,
51,1,,24761-050000,, "NIPPLE C, GREASE",1,1,,,,,,,,,,,,,,,,,,,,,
52,1,,26051-080002,, "NUT M 8",1,1,,,,,,,,,,,,,,,,,,,,,
53,1,,26116-100202,, "BOLT M10X 20 PLATED",3,3,,,,,,,,,,,,,,,,,,,,,
54,1,,26116-100602,, "BOLT M10X 60 PLATED",1,1,,,,,,,,,,,,,,,,,,,,,

Fig.20 CONTROL EQUIP. (P. T. O. CONTROL)



1,1,,172184-50100,, "FRAME, LOWER",1,1,,,,,,,,,,,,,,,,,,,,,
2,1,,172141-50890,, GROMMET,2,2,,,,,,,,,,,,,,,,,,,,,
3,1,,172161-50890,, "WASHER 12",12,12,,,,,,,,,,,,,,,,,,,,,
4,1,,172161-50900,, "GUARD, SHOE",4,4,,,,,,,,,,,,,,,,,,,,,
5,1,,26013-120452,, "BOLT M12X 45",12,12,,,,,,,,,,,,,,,,,,,,,
6,1,,172174-13280,, "BOLT M12X 30",8,8,,,,,,,,,,,,,,,,,,,,,
7,1,,172159-53300,, WASHER,9,9,,,,,,,,,,,,,,,,,,,,,
8,1,,172161-53350,, "GROMMET 26",6,6,,,,,,,,,,,,,,,,,,,,,
9,1,,172174-53400,, "WEIGHT L",1,1,,,,,,,,,,,,,,,,,,,,,
10,1,,172184-53400,, "WEIGHT, CENTER",1,1,,,,,,,,,,,,,,,,,,,,,
11,1,,172184-53430,, "WEIGHT L, SIDE",1,1,,,,,,,,,,,,,,,,,,,,,
12,1,,172184-53440,, "WEIGHT R, SIDE",1,1,,,,,,,,,,,,,,,,,,,,,
13,1,,172174-53460,, "WEIGHT R",1,1,,,,,,,,,,,,,,,,,,,,,
14,1,,172174-53510,, "BOLT 12X70",3,3,,,,,,,,,,,,,,,,,,,,,
15,1,,22217-120000,, "WASHER 12, SPRING",11,11,,,,,,,,,,,,,,,,,,,,,
16,1,,172184-54101,, "FRAME, TURNING",1,1,,,,,,,,,,,,,,,,,,,,,
17,2,,172184-54750,, BUSH,2,2,,,,,,,,,,,,,,,,,,,,,
18,2,,172168-54760,, "SEAL 60X70X4 DUST",2,2,,,,,,,,,,,,,,,,,,,,,
19,1,,24761-040000,, "NIPPLE B, GREASE",1,1,,,,,,,,,,,,,,,,,,,,,
20,1,,172184-57600,, BEARING,1,1,,,,,,,,,,,,,,,,,,,,,
21,2,,172184-57610,, "SEAL KIT",1,1,,,,,,,,,,,,,,,,,,,,,
22,3,,172184-57620,, "SEAL, UPPER",1,1,,,,,,,,,,,,,,,,,,,,,
23,3,,172184-57630,, "SEAL, LOWER",1,1,,,,,,,,,,,,,,,,,,,,,
24,1,,172185-57650,, "BOLT M14X 65",32,32,,,,,,,,,,,,,,,,,,,,,
25,1,,172185-57660,, "PIN 13X36",4,4,,,,,,,,,,,,,,,,,,,,,
26,1,,172116-46630,, "KNOB, LOCK LEVER",1,1,,,,,,,,,,,,,,,,,,,,,
27,1,,172184-58800,, "PIN, LOCK",1,1,,,,,,,,,,,,,,,,,,,,,

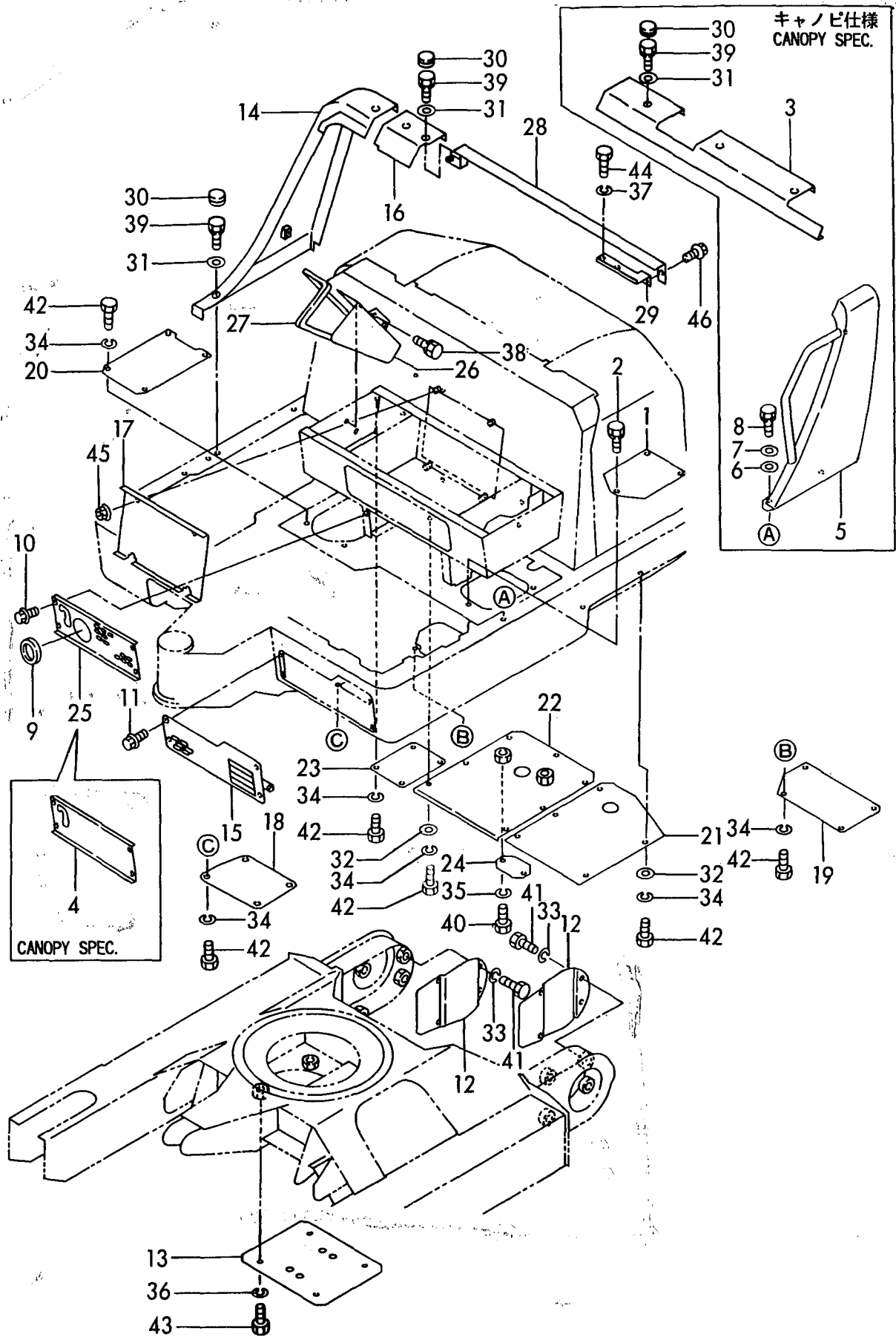
Fig.21 FRAME & TURNING BEARING



IRON CRAWLER SPEC.

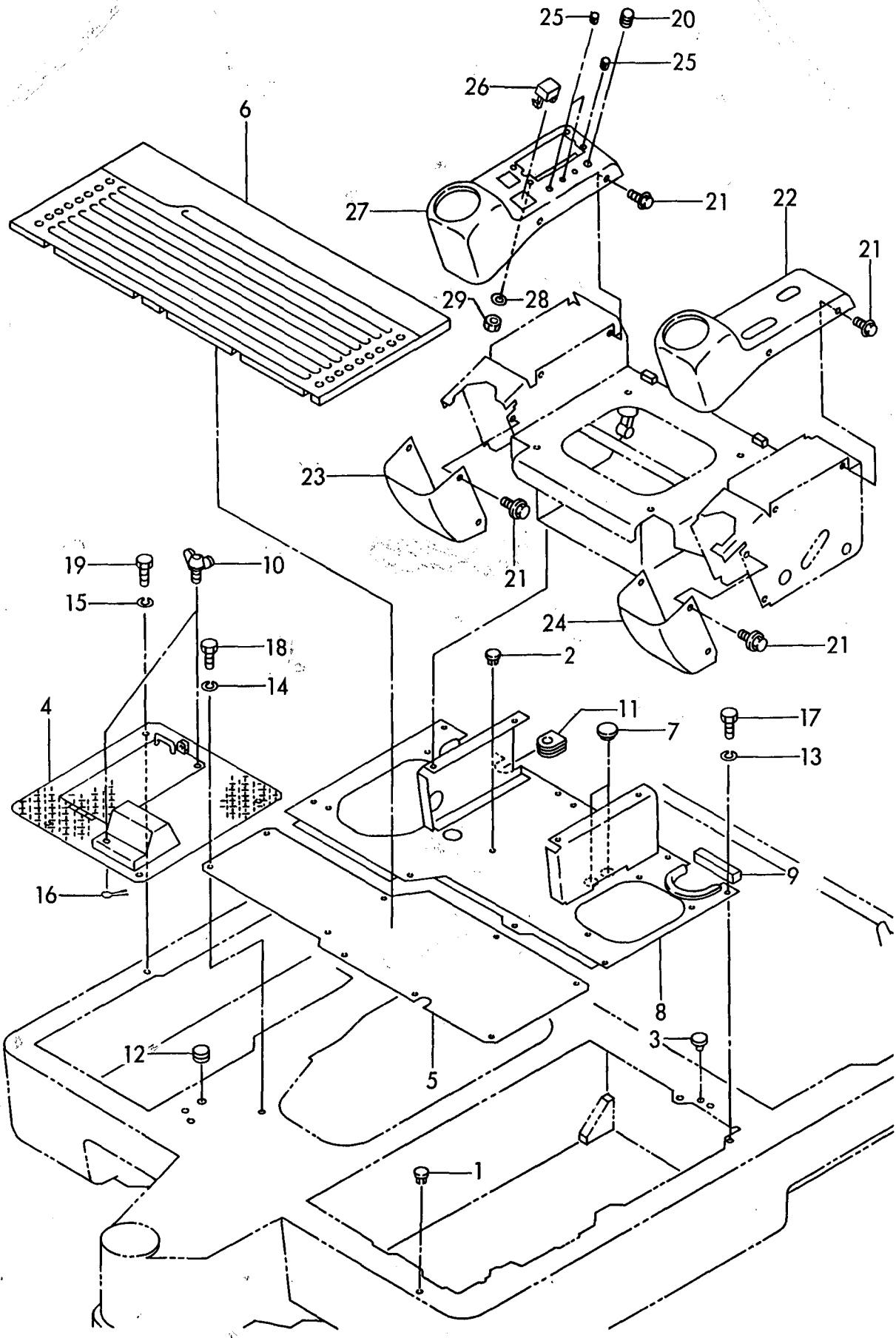
1,1,,172174-62300,, "STEP D",1,1,,,,,,,,,,,,,
2,1,,26013-100202,, "BOLT W/WASHER M10X20",3,3,,,,,,,,,,,,,
3,1,,172184-61400,, "COVER (B)",,1,,,,,,,,,,,,,
4,1,,172184-61600,, "COVER, FRONT",,1,,,,,,,,,,,,,
5,1,,172174-61820,, "COVER L COMP.,SI",,1,,,,,,,,,,,,,
6,1,,172159-65930,, "WASHER 10",,3,,,,,,,,,,,,,
7,1,,22137-100000,, "WASHER 10,POLISHED",,3,,,,,,,,,,,,,
8,1,,26013-100352,, "BOLT M10X 35",,3,,,,,,,,,,,,,
9,1,,172732-11510,, GROMMET,1,,,,,,,,,,,,,
10,1,,172174-44850,, "BOLT 8X 16",4,4,,,,,,,,,,,,,
11,1,,172174-44850,, "BOLT 8X 16",4,4,,,,,,,,,,,,,
12,1,,172174-50750,, "COVER,MOTOR",2,2,,,,,,,,,,,,,
13,1,,172161-50760,, "COVER,UNDER",1,1,,,,,,,,,,,,,
14,1,,172174-61100,, COVER(R),1,1,,,,,,,,,,,,,
15,1,,172174-61150,, COVER,1,1,,,,,,,,,,,,,
16,1,,172184-61300,, "COVER (A)",1,,,,,,,,,,,,,
17,1,,172174-61450,, COVER,1,1,,,,,,,,,,,,,
18,1,,172174-61480,, PLATE;A,1,1,,,,,,,,,,,,,
19,1,,172174-61490,, "PLATE (B)",1,1,,,,,,,,,,,,,
20,1,,172174-61500,, "PLATE F",1,1,,,,,,,,,,,,,
21,1,,172184-61520,, "PLATE (C)",1,1,,,,,,,,,,,,,
22,1,,172184-61530,, "PLATE (D)",1,1,,,,,,,,,,,,,
23,1,,172184-61540,, "PLATE (E)",1,1,,,,,,,,,,,,,
24,1,,172174-61560,, "PLATE G",1,1,,,,,,,,,,,,,
25,1,,172174-61650,, "COVER,FRONT",1,,,,,,,,,,,,,
26,1,,172174-61700,, "COVER COMP.,BL LINK",1,1,,,,,,,,,,,,,
27,1,,172174-61720,, RUBBER,1,1,,,,,,,,,,,,,
28,1,,172174-61740,, "COVER M COMPL.",1,,,,,,,,,,,,,
29,1,,172174-61780,, "BRACKET COMPL.",1,,,,,,,,,,,,,
30,1,,172165-61801,, PLUG,5,6,,,,,,,,,,,,,
31,1,,22137-100000,, "WASHER 10,POLISHED",5,6,,,,,,,,,,,,,
32,1,,22137-100000,, "WASHER 10,POLISHED",12,12,,,,,,,,,,,,,
33,1,,22217-100000,, "SPRING WASHER 10",8,8,,,,,,,,,,,,,
34,1,,22217-100000,, "SPRING WASHER 10",28,28,,,,,,,,,,,,,
35,1,,22217-100000,, "SPRING WASHER 10",2,2,,,,,,,,,,,,,
36,1,,22217-120000,, "WASHER 12,SPRING",4,4,,,,,,,,,,,,,
37,1,,22217-140000,, "SPRING WASHER 14",2,,,,,,,,,,,,,
38,1,,26013-080162,, "BOLT W/WASHER M8X16",2,2,,,,,,,,,,,,,
39,1,,26013-100352,, "BOLT M10X 35",5,6,,,,,,,,,,,,,
40,1,,26116-100162,, "BOLT M10X 16 PLATED",2,2,,,,,,,,,,,,,
41,1,,26116-100202,, "BOLT M10X 20 PLATED",8,8,,,,,,,,,,,,,
42,1,,26116-100202,, "BOLT M10X 20 PLATED",28,28,,,,,,,,,,,,,
43,1,,26116-120252,, "BOLT M12X 25 PLATED",4,4,,,,,,,,,,,,,
44,1,,26116-140352,, "BOLT M14X 35 PLATED",2,,,,,,,,,,,,,
45,1,,26367-100002,, "NUT M10",4,4,,,,,,,,,,,,,
46,1,,172174-44850,, "BOLT 8X 16",1,,,,,,,,,,,,,

Fig.22 FRAME COVER



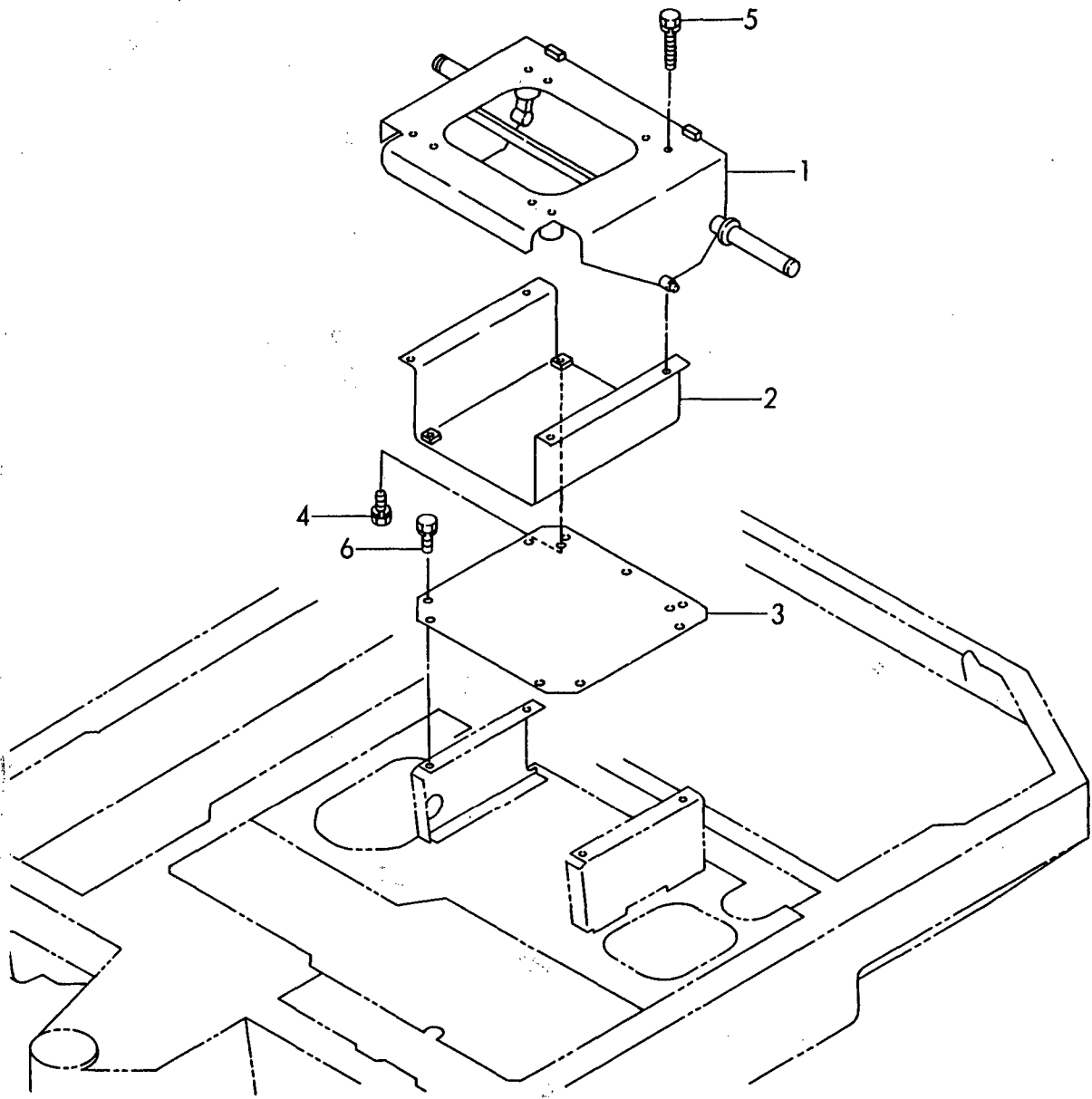
1,1,,172122-17190,,CLIP,,5,,,,,,,,,,,,,,,,,,,,,
2,1,,172122-17190,,CLIP,,4,,,,,,,,,,,,,,,,,,,,,
3,1,,172157-54850,,,"GROMMET 18",,1,,,,,,,,,,,,,,,,,,,,,
4,1,,172184-62150,,,"STEP",1,1,,,,,,,,,,,,,,,,,,,,,
5,1,,172174-62170,,,"STEP",1,1,,,,,,,,,,,,,,,,,,,,,
6,1,,172168-62200,,,"MAT, FLOOR",1,1,,,,,,,,,,,,,,,,,,,,,
7,1,,172151-62240,,,"GROMMET",,2,,,,,,,,,,,,,,,,,,,,,
8,1,,172174-62290,,,"STEP C COMP.,SI",1,1,,,,,,,,,,,,,,,,,,,,,
9,1,,172174-62440,,,"RUBBER 90,EDGE",1,1,,,,,,,,,,,,,,,,,,,,,
10,1,,172174-62451,,,"WING BOLT 12X15",2,2,,,,,,,,,,,,,,,,,,,,,
11,1,,172165-62800,,,"GROMMET 26",1,1,,,,,,,,,,,,,,,,,,,,,
12,1,,172165-68250,,,"PLUG,RUBBER",,1,,,,,,,,,,,,,,,,,,,,,
13,1,,22217-100000,,,"SPRING WASHER 10",7,7,,,,,,,,,,,,,,,,,,,,,
14,1,,22217-100000,,,"SPRING WASHER 10",9,9,,,,,,,,,,,,,,,,,,,,,
15,1,,22217-100000,,,"SPRING WASHER 10",4,4,,,,,,,,,,,,,,,,,,,,,
16,1,,22417-320200,,,"COTTER PIN 3.2X20",2,2,,,,,,,,,,,,,,,,,,,,,
17,1,,26116-100202,,,"BOLT M10X 20 PLATED",7,7,,,,,,,,,,,,,,,,,,,,,
18,1,,26116-100202,,,"BOLT M10X 20 PLATED",9,9,,,,,,,,,,,,,,,,,,,,,
19,1,,26116-100202,,,"BOLT M10X 20 PLATED",4,4,,,,,,,,,,,,,,,,,,,,,
20,1,,194300-21460,,,"CAP",1,1,,,,,,,,,,,,,,,,,,,,,
21,1,,172174-44850,,,"BOLT 8X 16",16,16,,,,,,,,,,,,,,,,,,,,,
22,1,,172168-63100,,,"PANEL(L),INST(EP",1,1,,,,,,,,,,,,,,,,,,,,,
23,1,,172165-63600,,,"COVER (R)",1,1,,,,,,,,,,,,,,,,,,,,,
24,1,,172165-63620,,,"COVER (L)",1,1,,,,,,,,,,,,,,,,,,,,,
25,1,,172165-63650,,,"PLUG 10,HOLE",3,3,,,,,,,,,,,,,,,,,,,,,
26,1,,172165-63660,,,"CAP",1,1,,,,,,,,,,,,,,,,,,,,,
27,1,,172165-63700,,,"PANEL(R),INST(EP",1,1,,,,,,,,,,,,,,,,,,,,,
28,1,,22137-040000,,,"WASHER 4, POLISHED",4,4,,,,,,,,,,,,,,,,,,,,,
29,1,,26716-040002,,,"NUT M 4",4,4,,,,,,,,,,,,,,,,,,,,,

Fig.23 STEP & INSTRUMENT PANEL



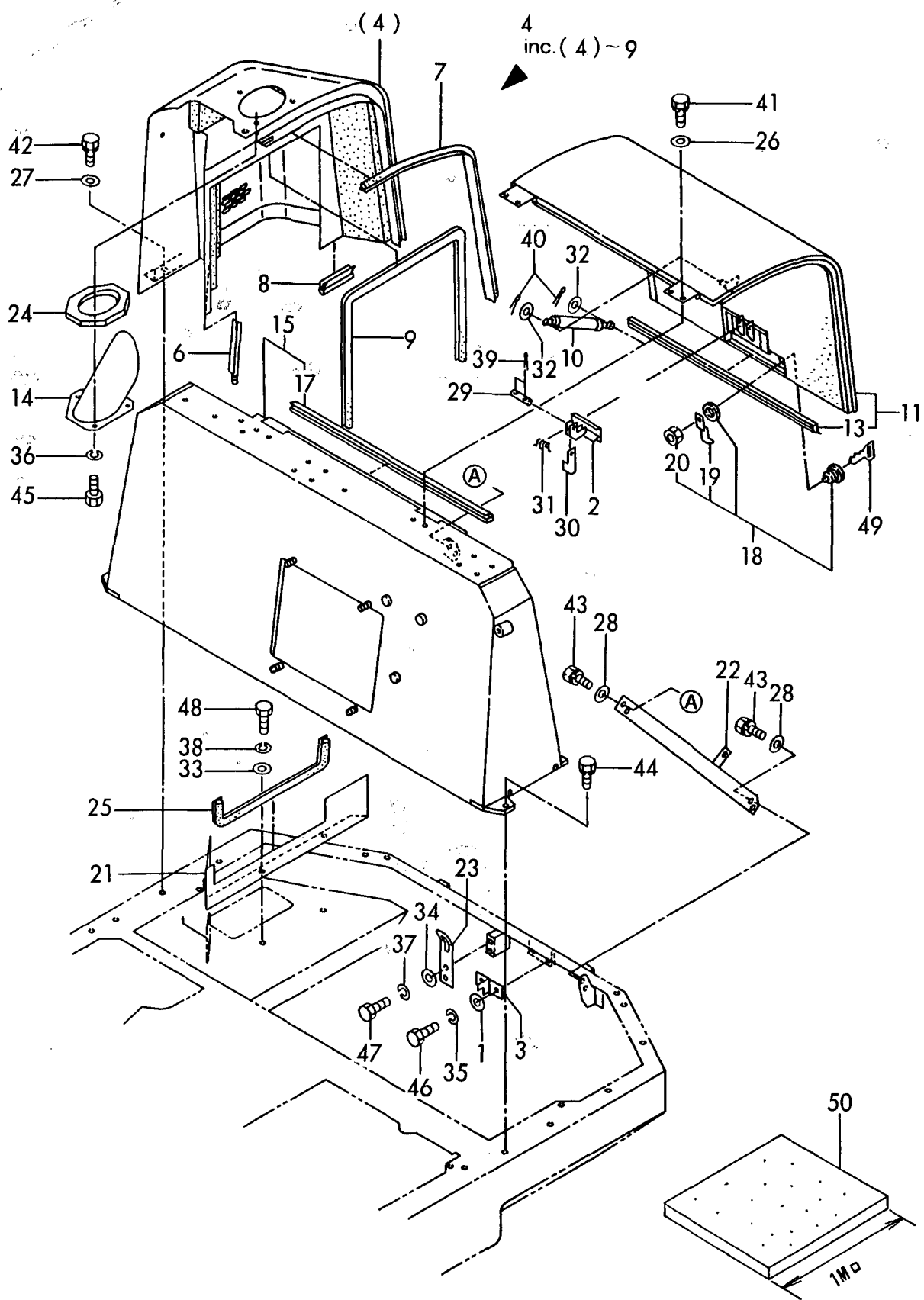
1,1,,172174-64300,, "MOUNT A",1,1,,,,,,,,,,,,,,,,,,,,,
2,1,,172174-64360,, "MOUNT B",1,1,,,,,,,,,,,,,,,,,,,,,
3,1,,172174-64390,, "MOUNT C",1,1,,,,,,,,,,,,,,,,,,,,,
4,1,,26013-080202,, "BOLT W/WASHER M8X20",4,4,,,,,,,,,,,,,,,,,,,,,
5,1,,26013-080552,, "BOLT M 8X 55",4,4,,,,,,,,,,,,,,,,,,,,,
6,1,,26013-100202,, "BOLT W/WASHER M10X20",4,4,,,,,,,,,,,,,,,,,,,,,

Fig. 24 SEAT MOUNT



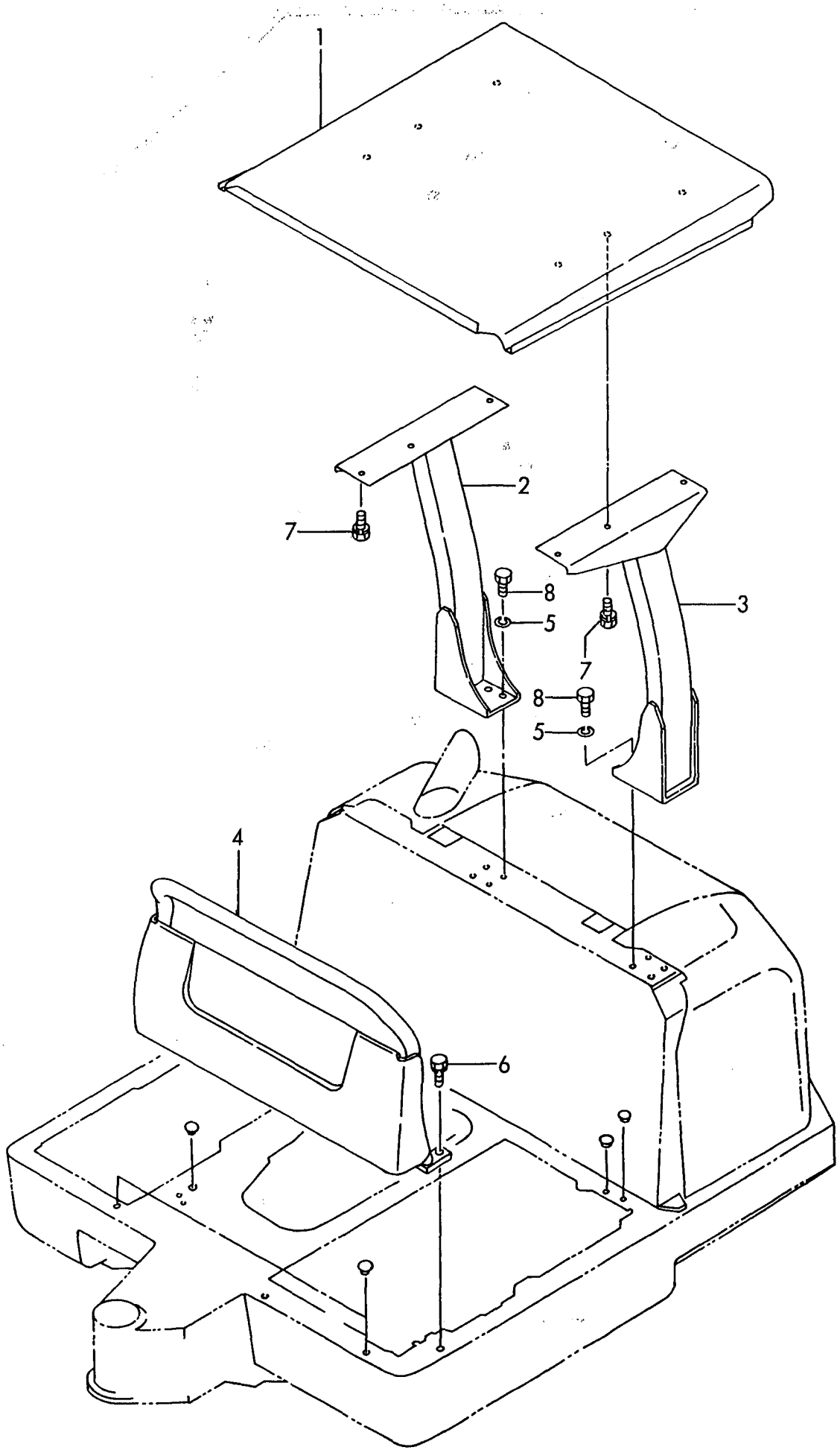
1,1,,22157-080000,, "WASHER 8",2,2,,,,,,,,,,,,,,,,,,,,,
2,1,,172159-65050,, "LEVER, LOCK",1,1,,,,,,,,,,,,,,,,,,,,,
3,1,,172161-65070,, "HOOK COMP.,KEY",1,1,,,,,,,,,,,,,,,,,,,,,
4,1,,172184-65100,, "BONNET (CR) (EV)",1,1,,,,,,,,,,,,,,,,,,,,,
6,2,,172174-65760,, "RUBBER,SEAL D",1,1,,,,,,,,,,,,,,,,,,,,,
7,2,,172184-65780,, "RUBBER, SEAL C",1,1,,,,,,,,,,,,,,,,,,,,,
8,2,,172184-65800,, "RUBBER, SEAL E",1,1,,,,,,,,,,,,,,,,,,,,,
9,2,,172184-65810,, "RUBBER, SEAL F",1,1,,,,,,,,,,,,,,,,,,,,,
10,1,,172168-65260,, "SPRING,GAS",1,1,,,,,,,,,,,,,,,,,,,,,
11,1,,172184-65300,, "BONNET (B) (EV)",1,1,,,,,,,,,,,,,,,,,,,,,
13,2,,172184-65760,, "RUBBER, SEAL B",1,1,,,,,,,,,,,,,,,,,,,,,
14,1,,172174-65350,, "PIPE, EXH.EXTENSION",1,1,,,,,,,,,,,,,,,,,,,,,
15,1,,172184-65450,, "BONNET (A) (EV)",1,1,,,,,,,,,,,,,,,,,,,,,
17,2,,172184-65750,, "RUBBER, SEAL A",1,1,,,,,,,,,,,,,,,,,,,,,
18,1,,172126-65500,, "KEY",1,1,,,,,,,,,,,,,,,,,,,,,
19,2,,172126-65571,, "WASHER LOCK",1,1,,,,,,,,,,,,,,,,,,,,,
20,2,,26347-100002,, "U-NUT 10",1,1,,,,,,,,,,,,,,,,,,,,,
21,1,,172184-65640,, "DUCT",1,1,,,,,,,,,,,,,,,,,,,,,
22,1,,172184-65660,, "BRACKET",1,1,,,,,,,,,,,,,,,,,,,,,
23,1,,172159-65690,, "PLATE,CATCH",1,1,,,,,,,,,,,,,,,,,,,,,
24,1,,172174-65740,, "SEAL,DUCT",1,1,,,,,,,,,,,,,,,,,,,,,
25,1,,172184-65820,, "RUBBER, SEAL G",1,1,,,,,,,,,,,,,,,,,,,,,
26,1,,172159-65930,, "WASHER 10",4,4,,,,,,,,,,,,,,,,,,,,,
27,1,,172159-65930,, "WASHER 10",6,6,,,,,,,,,,,,,,,,,,,,,
28,1,,172159-65930,, "WASHER 10",4,4,,,,,,,,,,,,,,,,,,,,,
29,1,,172159-65940,, "PIN, BONNET LEVER",1,1,,,,,,,,,,,,,,,,,,,,,
30,1,,172159-65950,, "CATCHER",1,1,,,,,,,,,,,,,,,,,,,,,
31,1,,172159-65960,, "SPRING CATCH",1,1,,,,,,,,,,,,,,,,,,,,,
32,1,,22137-080000,, "WASHER 8, POLISHED",2,2,,,,,,,,,,,,,,,,,,,,,
33,1,,22137-100000,, "WASHER 10,POLISHED",3,3,,,,,,,,,,,,,,,,,,,,,
34,1,,22137-100000,, "WASHER 10,POLISHED",2,2,,,,,,,,,,,,,,,,,,,,,
35,1,,22217-080000,, "SPRING WASHER 8",2,2,,,,,,,,,,,,,,,,,,,,,
36,1,,22217-080000,, "SPRING WASHER 8",3,3,,,,,,,,,,,,,,,,,,,,,
37,1,,22217-100000,, "SPRING WASHER 10",2,2,,,,,,,,,,,,,,,,,,,,,
38,1,,22217-100000,, "SPRING WASHER 10",3,3,,,,,,,,,,,,,,,,,,,,,
39,1,,22417-200200,, "COTTER PIN 2.0X20",2,2,,,,,,,,,,,,,,,,,,,,,
40,1,,22417-200200,, "COTTER PIN 2.0X20",2,2,,,,,,,,,,,,,,,,,,,,,
41,1,,26013-100252,, "BOLT W/WASHER M10X25",4,4,,,,,,,,,,,,,,,,,,,,,
42,1,,26013-100252,, "BOLT W/WASHER M10X25",6,6,,,,,,,,,,,,,,,,,,,,,
43,1,,26013-100252,, "BOLT W/WASHER M10X25",4,4,,,,,,,,,,,,,,,,,,,,,
44,1,,26013-120352,, "BOLT M12X 35",5,5,,,,,,,,,,,,,,,,,,,,,
45,1,,26116-080162,, "BOLT M 8X 16 PLATED",3,3,,,,,,,,,,,,,,,,,,,,,
46,1,,26116-080202,, "BOLT M 8X 20 PLATED",2,2,,,,,,,,,,,,,,,,,,,,,
47,1,,26116-100202,, "BOLT M10X 20 PLATED",2,2,,,,,,,,,,,,,,,,,,,,,
48,1,,26116-100202,, "BOLT M10X 20 PLATED",3,3,,,,,,,,,,,,,,,,,,,,,
49,1,,933110-00301,, "KEY ASSY",1,1,,,,,,,,,,,,,,,,,,,,,
50,1,,933171-20390,, "LIGHT, EVER",1,1,,,,,1,,,,,,,,,,,,,

Fig.25 BONNET



1,1,,172174-68100,, "ROOF COMP.,CANOPY" ,,1,,,,,,,,,,,,,
2,1,,172174-68200,, "COLUMN R" ,,1,,,,,,,,,,,,,
3,1,,172174-68250,, "COLUMN L" ,,1,,,,,,,,,,,,,
4,1,,172174-68300,, "CANOPY F COMPL." ,,1,,,,,,,,,,,,,
5,1,,22217-140000,, "SPRING WASHER 14" ,,8,,,,,,,,,,,,,
6,1,,26013-120352,, "BOLT M12X 35" ,,2,,,,,,,,,,,,,
7,1,,26013-120352,, "BOLT M12X 35" ,,6,,,,,,,,,,,,,
8,1,,26116-140352,, "BOLT M14X 35 PLATED" ,,8,,,,,,,,,,,,,

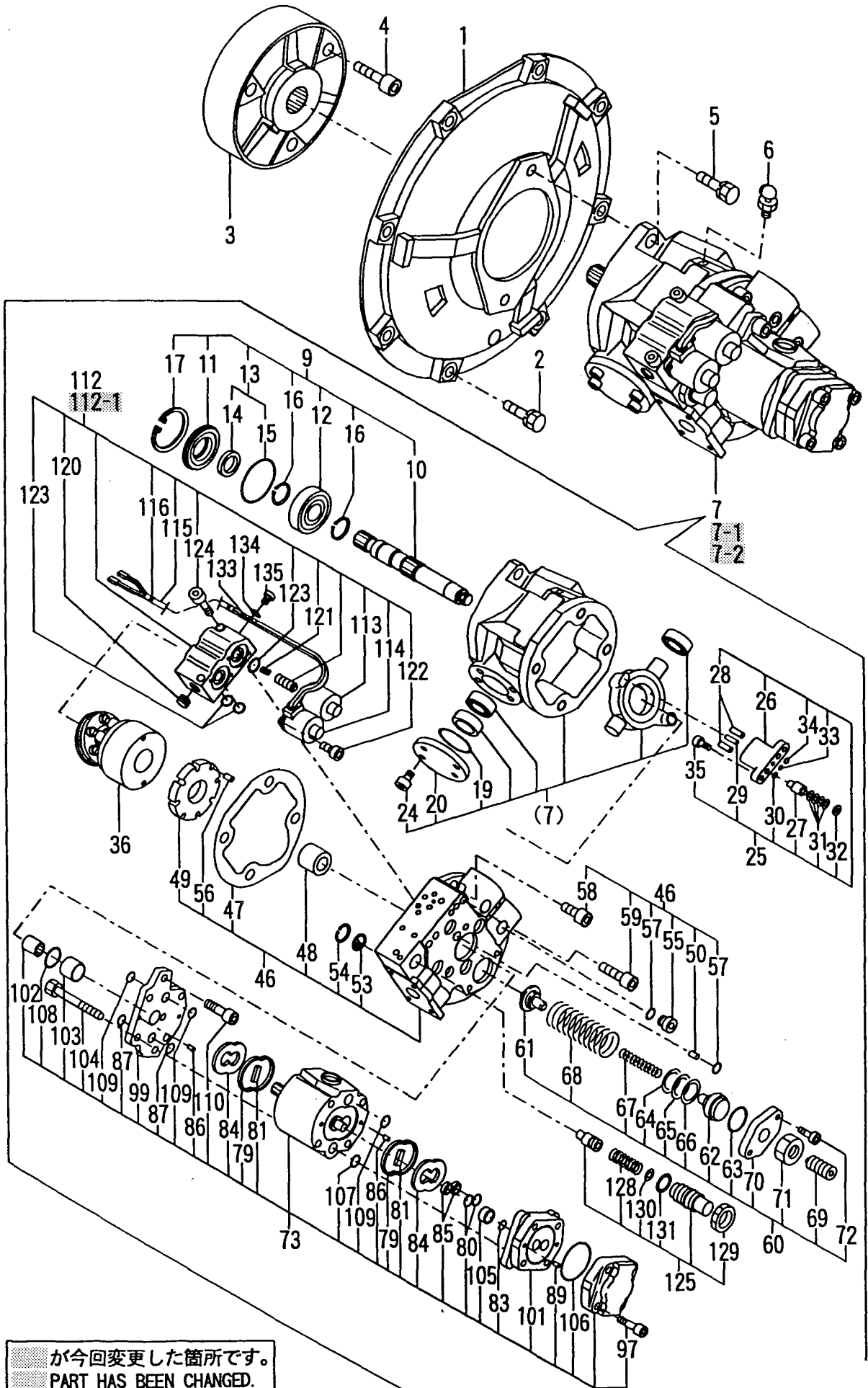
Fig.26 CANOPY



1,1,,172174-71100,, "COVER, FLYWHEEL",1,1,,,,,,,,,,,,,,,,,,,,,
2,1,,26013-100302,, "BOLT M10X 30",8,8,,,,,,,,,,,,,,,,,,,,,
3,1,,172165-71200,, COUPLING,1,1,,,,,,,,,,,,,,,,,,,,,
4,1,,26450-120402,, "BOLT M12X 40",3,3,,,,,,,,,,,,,,,,,,,,,
5,1,,26013-120302,, "BOLT W/WASHER M12X30",2,2,,,,,,,,,,,,,,,,,,,,,
6,1,,172164-73110,, VALVE,1,1,,,,,,,,,,,,,,,,,,,,,
7,1,,172168-73112,, "PUMP ASSY, HYD. OIL",1,1,,,,,,,,,,,,,,,,,,,,,
7-1,1,,172168-73200,, "PUMP
ASSY",1,1,,,,,R,,72176147,M50515,72176147,M50515,,,,,,,,,,,,,I
7-2,1,,172168-73201,, "PUMP
ASSY",1,1,,,,,S,,72168272,*1995.10,72168272,*1995.10,,,,,,,,,,,,,I
9,2,,172168-71200,, "SHAFT ASSY, ROCKER",1,1,,,,,,,,,,,,,,,,,,,,,
10,3,,172168-71310,, SHAFT,1,1,,,,,,,,,,,,,,,,,,,,,
11,3,,172168-71320,, "SEAL CASE",1,1,,,,,,,,,,,,,,,,,,,,,
12,3,,172168-71330,, BEARING,1,1,,,,,,,,,,,,,,,,,,,,,
13,3,,172164-73170,, "SEAL ASSY",1,1,,,,,,,,,,,,,,,,,,,,,
14,4,,172147-73680,, "SEAL, OIL",1,1,,,,,,,,,,,,,,,,,,,,,
15,4,,172162-73790,, "O-RING 140",1,1,,,,,,,,,,,,,,,,,,,,,
16,3,,22242-000250,, "CIRCLIP 25S",2,2,,,,,,,,,,,,,,,,,,,,,
17,3,,22252-000620,, "CIRCLIP 62(H)",1,1,,,,,,,,,,,,,,,,,,,,,
19,3,,172168-71340,, O-RING,1,1,,,,,,,,,,,,,,,,,,,,,
20,3,,172168-71550,, COVER,1,1,,,,,,,,,,,,,,,,,,,,,
24,3,,26450-060162,, "BOLT M 6X 16",4,4,,,,,,,,,,,,,,,,,,,,,
25,2,,172168-71250,, "PISTON ASSY, CONTROL",1,1,,,,,,,,,,,,,,,,,,,,,
26,3,,172168-71470,, CYLINDER,1,1,,,,,,,,,,,,,,,,,,,,,
27,3,,172168-71480,, PISTON,1,1,,,,,,,,,,,,,,,,,,,,,
28,3,,172168-71490,, "PARALLEL PIN",2,2,,,,,,,,,,,,,,,,,,,,,
29,3,,172168-71500,, "PARALLEL PIN",1,1,,,,,,,,,,,,,,,,,,,,,
30,3,,172168-71510,, O-RING,1,1,,,,,,,,,,,,,,,,,,,,,
31,3,,172168-71520,, "CONICAL SPRING",4,4,,,,,,,,,,,,,,,,,,,,,
32,3,,172168-71530,, RETAINER,1,1,,,,,,,,,,,,,,,,,,,,,
33,3,,172165-73790,, O-RING,1,1,,,,,,,,,,,,,,,,,,,,,
34,3,,172143-74220,, O-RING,1,1,,,,,,,,,,,,,,,,,,,,,
35,3,,26450-080252,, "BOLT M 8X 25",2,2,,,,,,,,,,,,,,,,,,,,,
36,2,,172175-73110,, "ROTARY GROUP",1,1,,,,,,,,,,,,,,,,,,,,,
46,2,,172164-73410,, "COVER, AIR CLEANER",1,1,,,,,,,,,,,,,,,,,,,,,
47,3,,172168-71360,, "GASKET, BONNET",1,1,,,,,,,,,,,,,,,,,,,,,
48,3,,172168-71560,, BEARING,1,1,,,,,,,,,,,,,,,,,,,,,
49,3,,172175-73150,, "PLATE, CONTROL",1,1,,,,,,,,,,,,,,,,,,,,,
50,3,,172165-73580,, ORIFICE,3,3,,,,,,,,,,,,,,,,,,,,,
53,3,,172164-73660,, FILTER,1,1,,,,,,,,,,,,,,,,,,,,,
54,3,,172164-73670,, CIRCLIP,1,1,,,,,,,,,,,,,,,,,,,,,
55,3,,172142-74650,, "PLUG 1/8",4,4,,,,,,,,,,,,,,,,,,,,,
56,3,,22312-060140,, "PARALLEL PIN 6X14",2,2,,,,,,,,,,,,,,,,,,,,,
57,3,,24315-000080,, "O-RING 1BP-8.0",5,5,,,,,,,,,,,,,,,,,,,,,
58,3,,26450-100302,, "BOLT M10X 30",3,3,,,,,,,,,,,,,,,,,,,,,
59,3,,26450-100502,, "BOLT 10X 50",1,1,,,,,,,,,,,,,,,,,,,,,
60,2,,172175-73420,, SPRING,1,1,,,,,,,,,,,,,,,,,,,,,
61,3,,172168-71380,, RETAINER,1,1,,,,,,,,,,,,,,,,,,,,,
62,3,,172168-71390,, RETAINER,1,1,,,,,,,,,,,,,,,,,,,,,
63,3,,172168-71430,, O-RING,1,1,,,,,,,,,,,,,,,,,,,,,
64,3,,172168-71440,, SHIM,2,2,,,,,,,,,,,,,,,,,,,,,
65,3,,172168-71450,, SHIM,2,2,,,,,,,,,,,,,,,,,,,,,
66,3,,172168-71460,, SHIM,2,2,,,,,,,,,,,,,,,,,,,,,
67,3,,172175-73450,, SPRING,1,1,,,,,,,,,,,,,,,,,,,,,
68,3,,172175-73460,, SPRING,1,1,,,,,,,,,,,,,,,,,,,,,
69,3,,172165-73640,, "ADJUST SCREW",1,1,,,,,,,,,,,,,,,,,,,,,
70,3,,172164-73720,, COVER,1,1,,,,,,,,,,,,,,,,,,,,,
71,3,,172165-73670,, "NUT M 6",1,1,,,,,,,,,,,,,,,,,,,,,
72,3,,26450-080302,, "BOLT M 8X 30",2,2,,,,,,,,,,,,,,,,,,,,,
73,2,,172175-73440,, "PUMP ASSY, GEAR",1,1,,,,,,,,,,,,,,,,,,,,,
79,3,,172141-71520,, RING,2,2,,,,,,,,,,,,,,,,,,,,,
80,3,,172141-71550,, O-RING,2,2,,,,,,,,,,,,,,,,,,,,,

81,3,,172141-71560,,RING,2,2,,,,,,,,,,,,,
83,3,,172141-73210,,CIRCLIP,1,1,,,,,,,,,,,,,
84,3,,172141-73220,,PLATE,3,3,,,,,,,,,,,,,
85,3,,172141-73230,,GUIDE,2,2,,,,,,,,,,,,,
86,3,,172141-73240,, "PIN, PARALLEL",4,4,,,,,,,,,,,,,
87,3,,172147-73650,,O-RING,2,2,,,,,,,,,,,,,
89,4,,172141-73240,, "PIN, PARALLEL",2,2,,,,,,,,,,,,,
97,4,,26450-080402,, "BOLT 8X40",4,4,,,,,,,,,,,,,
99,3,,172164-73750,, "FRAME, FRONT",1,1,,,,,,,,,,,,,
101,3,,172164-73770,, "FRAME, MIDDLE",1,1,,,,,,,,,,,,,
102,3,,172164-73830,,COUPLING,1,1,,,,,,,,,,,,,
103,3,,172164-73840,,BUSH,1,1,,,,,,,,,,,,,
104,3,,172164-73850,, "HEX.HEAD BOLT",4,4,,,,,,,,,,,,,
105,3,,172164-73870,,COUPLING,1,1,,,,,,,,,,,,,
106,3,,172165-73870,,O-RING,1,1,,,,,,,,,,,,,
107,3,,172164-73880,,O-RING,1,1,,,,,,,,,,,,,
108,3,,172164-73890,,O-RING,1,1,,,,,,,,,,,,,
109,3,,24315-000100,, "O-RING 1B P-10.0",3,3,,,,,,,,,,,,,
110,3,,26450-100252,, "BOLT M10X 25",2,2,,,,,,,,,,,,,
112,2,,172164-73460,,VALVE,1,1,,,,,,,,,,,,,
112-1,2,,172164-73461,,VALVE,1,1,,,,,S,,*,*1995.10,,*,*1995.10,,,,,,,,,,,,,I
113,3,,172164-73010,, "SOLENOID (A)",1,1,,,,,,,,,,,,,
114,3,,172164-73020,, "SOLENOID (B)",1,1,,,,,,,,,,,,,
115,3,,172164-73030,,COVER,1,1,,,,,,,,,,,,,
116,3,,172164-73040,,BAND,1,1,,,,,,,,,,,,,
120,3,,172164-73680,, "PLUG M8",2,2,,,,,,,,,,,,,
121,3,,172162-74820,,SPRING,2,2,,,,,,,,,,,,,
122,3,,172162-74860,,BOLT,4,4,,,,,,,,,,,,,
123,3,,24311-000160,, "O-RING 1A P-16.0",4,4,,,,,,,,,,,,,
124,3,,26450-080252,, "BOLT M 8X 25",2,2,,,,,,,,,,,,,
125,2,,172164-73470,, "VALVE ASSY, RELIEF",1,1,,,,,,,,,,,,,
128,3,,172164-73380,, "SPRING, RETERN",1,1,,,,,,,,,,,,,
129,3,,172164-73390,,NUT,1,1,,,,,,,,,,,,,
130,3,,172164-73990,,SHIM,1,1,,,,,,,,,,,,,
131,3,,172141-74430,,O-RING,1,1,,,,,,,,,,,,,
133,2,,172164-73490,,CLAMP,1,1,,,,,,,,,,,,,
134,2,,172164-73500,,WASHER,1,1,,,,,,,,,,,,,
135,2,,172162-74860,,BOLT,1,1,,,,,,,,,,,,,

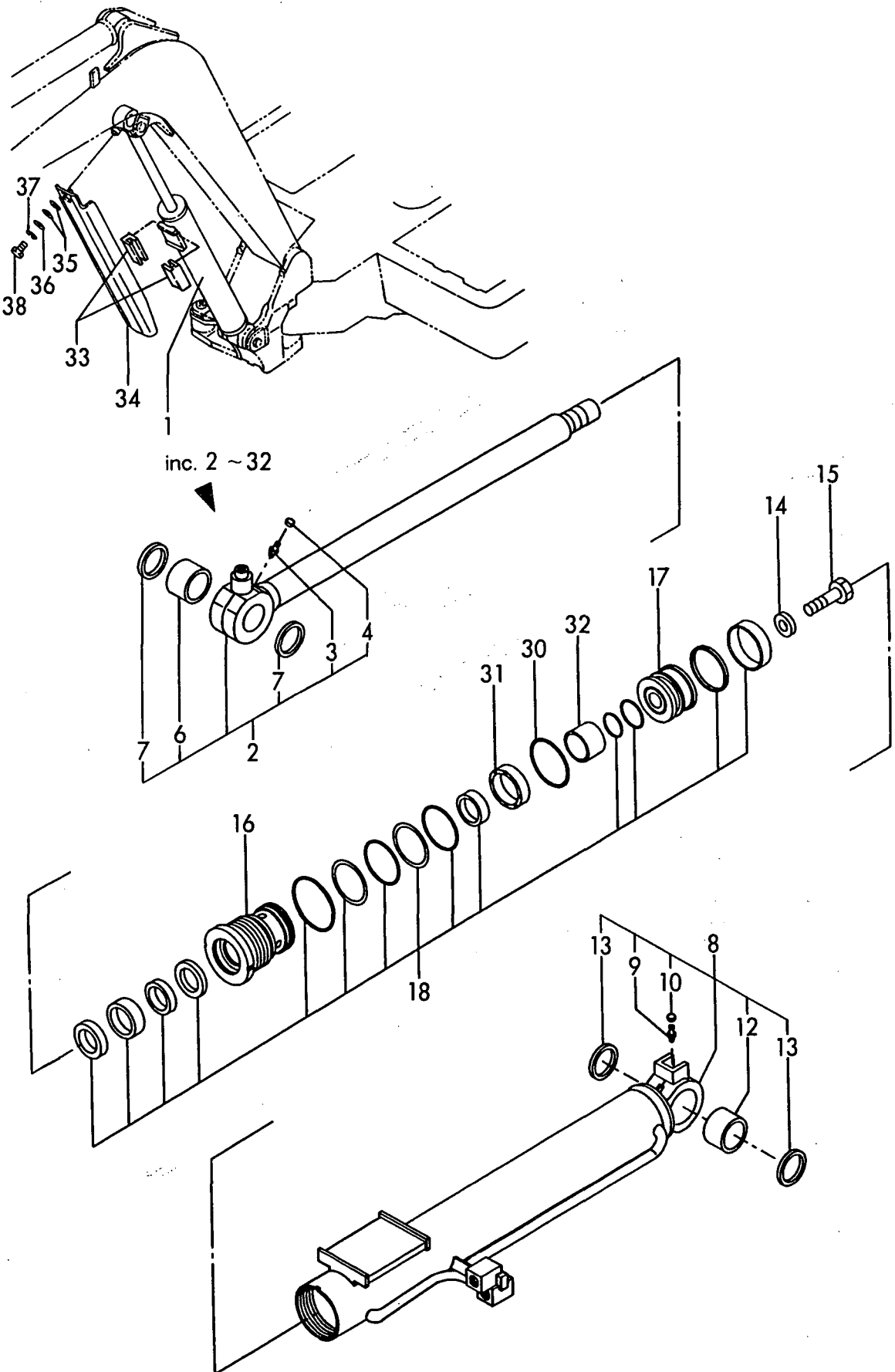
Fig. 27 HYD. OIL PUMP & JOINT



が今回変更した箇所です。
PART HAS BEEN CHANGED.

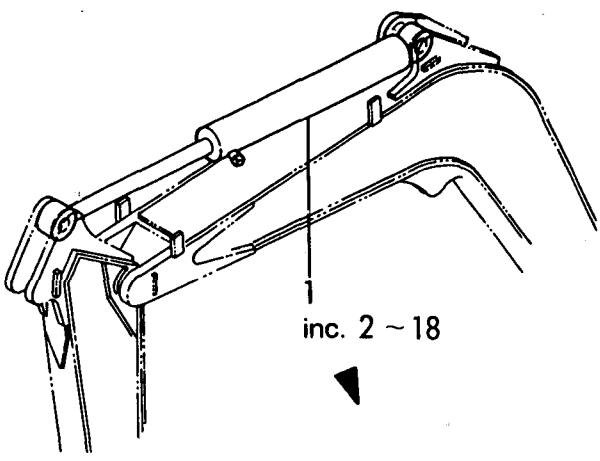
1,1,,172184-72860,, "CYLINDER, BOOM",1,1,,,,,,,,,,,,,,,,,,,,,
2,2,,172184-72870,, "ROD, BOOM",1,1,,,,,,,,,,,,,,,,,,,,,
3,3,,172184-72010,, "NIPPLE, GREASE",1,1,,,,,,,,,,,,,,,,,,,,,
4,3,,172184-72030,, CAP,1,1,,,,,,,,,,,,,,,,,,,,,
6,3,,172184-72950,, BUSH,1,1,,,,,,,,,,,,,,,,,,,,,
7,3,,172168-81410,, "SEAL 45X55X4, DUST",2,2,,,,,,,,,,,,,,,,,,,,,
8,2,,172184-72880,, "TUBE, BOOM",1,1,,,,,,,,,,,,,,,,,,,,,
9,3,,172184-72010,, "NIPPLE, GREASE",1,1,,,,,,,,,,,,,,,,,,,,,
10,3,,172184-72030,, CAP,1,1,,,,,,,,,,,,,,,,,,,,,
12,3,,172184-72940,, BUSH,1,1,,,,,,,,,,,,,,,,,,,,,
13,3,,172168-81410,, "SEAL 45X55X4, DUST",2,2,,,,,,,,,,,,,,,,,,,,,
14,2,,172184-72040,, WASHER,1,1,,,,,,,,,,,,,,,,,,,,,
15,2,,172184-72050,, BOLT,1,1,,,,,,,,,,,,,,,,,,,,,
16,2,,172184-72910,, "HEAD, CYLINDER",1,1,,,,,,,,,,,,,,,,,,,,,
17,2,,172184-72920,, PISTON,1,1,,,,,,,,,,,,,,,,,,,,,
18,2,,172184-72930,, "SEAL KIT",1,1,,,,,,,,,,,,,,,,,,,,,
30,2,,172184-72960,, RING,1,1,,,,,,,,,,,,,,,,,,,,,
31,2,,172184-72970,, "RING, FLOAT",1,1,,,,,,,,,,,,,,,,,,,,,
32,2,,172184-72980,, "RING, FIX",1,1,,,,,,,,,,,,,,,,,,,,,
33,1,,172162-61770,, "GUIDE, SLIDE",2,2,,,,,,,,,,,,,,,,,,,,,
34,1,,172184-72340,, "COVER, SLIDE",1,1,,,,,,,,,,,,,,,,,,,,,
35,1,,172159-72860,, SPRING,2,2,,,,,,,,,,,,,,,,,,,,,
36,1,,172161-72920,, WASHER,1,1,,,,,,,,,,,,,,,,,,,,,
37,1,,22217-100000,, "SPRING WASHER 10",1,1,,,,,,,,,,,,,,,,,,,,,
38,1,,26116-100162,, "BOLT M10X 16 PLATED",1,1,,,,,,,,,,,,,,,,,,,,,

Fig.28 BOOM CYLINDER

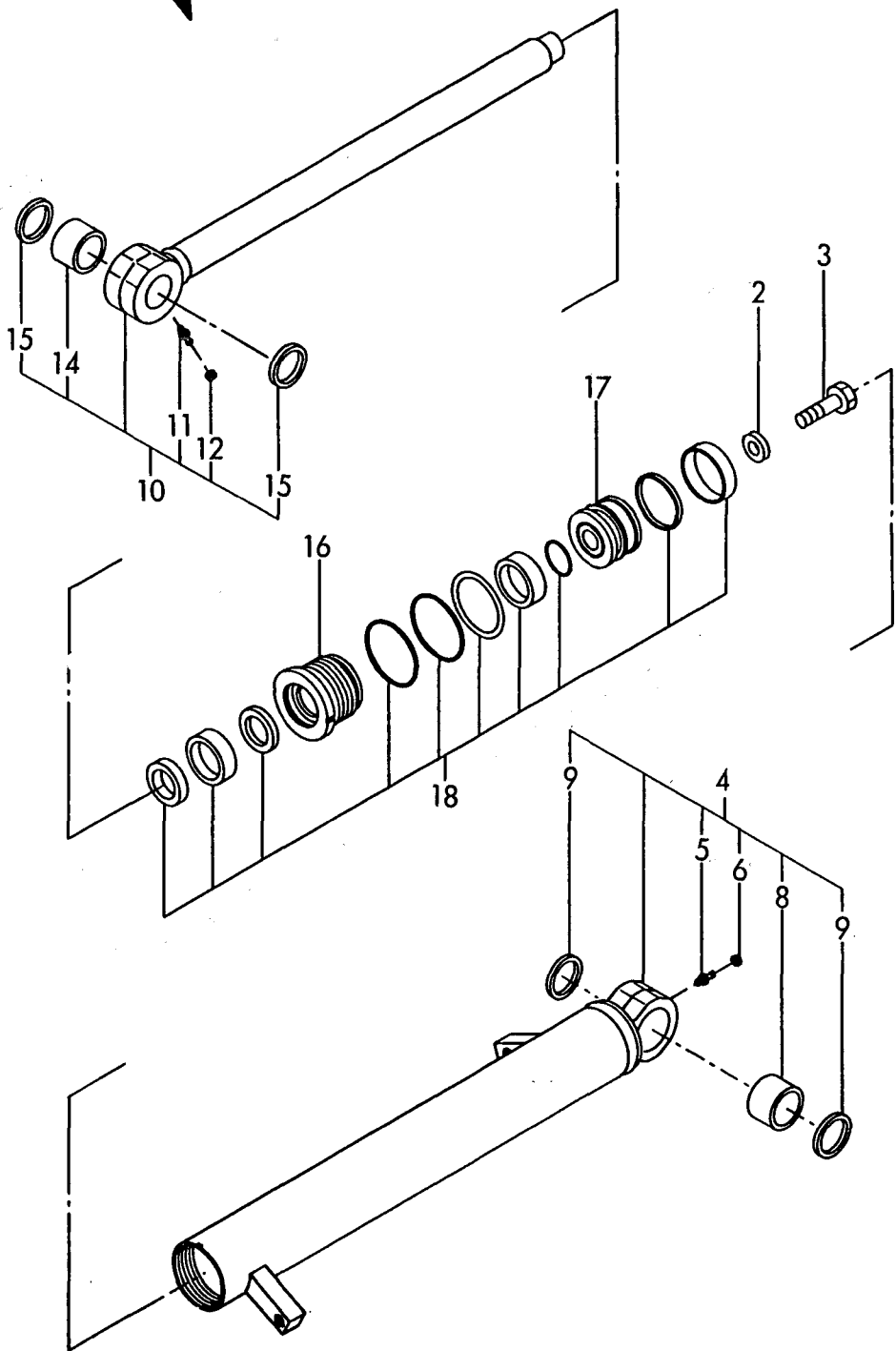


1,1,,172184-72370,, "CYLINDER ASSY, ARM",1,1,,,,,,,,,,,,,
2,2,,172184-72040,, WASHER,1,1,,,,,,,,,,,,,
3,2,,172184-72050,, BOLT,1,1,,,,,,,,,,,,,
4,2,,172184-72380,, "TUBE ASSY, ARM",1,1,,,,,,,,,,,,,
5,3,,172184-72020,, "NIPPLE, GREASE",1,1,,,,,,,,,,,,,
6,3,,172184-72030,, CAP,1,1,,,,,,,,,,,,,
8,3,,172184-72730,, BUSH,1,1,,,,,,,,,,,,,
9,3,,172168-81270,, "SEAL,DUST 38X50X4",2,2,,,,,,,,,,,,,
10,2,,172184-72390,, "ROD ASSY, ARM",1,1,,,,,,,,,,,,,
11,3,,172184-72010,, "NIPPLE, GREASE",1,1,,,,,,,,,,,,,
12,3,,172184-72030,, CAP,1,1,,,,,,,,,,,,,
14,3,,172184-72730,, BUSH,1,1,,,,,,,,,,,,,
15,3,,172168-81270,, "SEAL,DUST 38X50X4",2,2,,,,,,,,,,,,,
16,2,,172184-72420,, "HEAD, CYLINDER",1,1,,,,,,,,,,,,,
17,2,,172184-72710,, PISTON,1,1,,,,,,,,,,,,,
18,2,,172184-72720,, "SEAL KIT",1,1,,,,,,,,,,,,,

Fig. 29 ARM CYLINDER

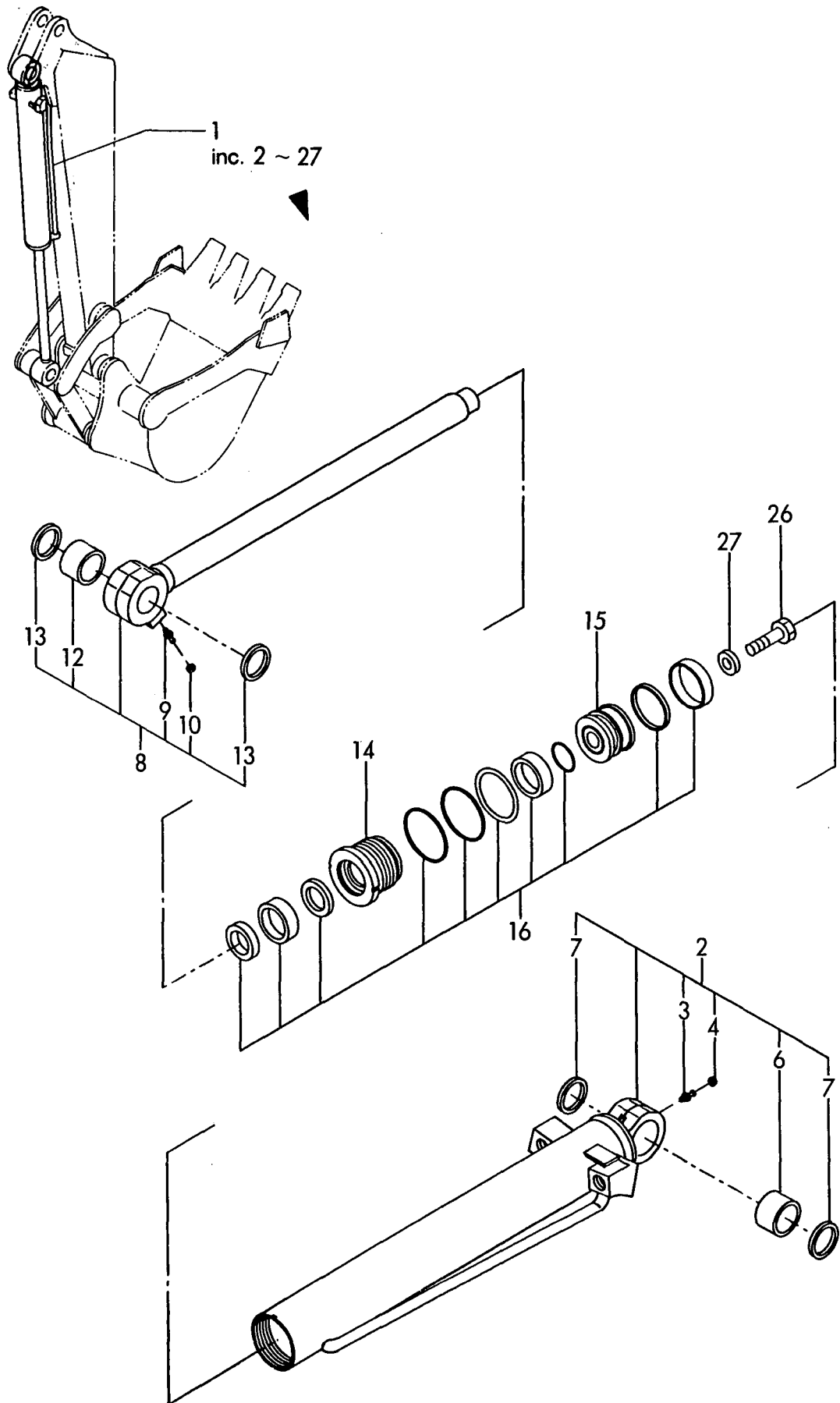


inc. 2 ~ 18



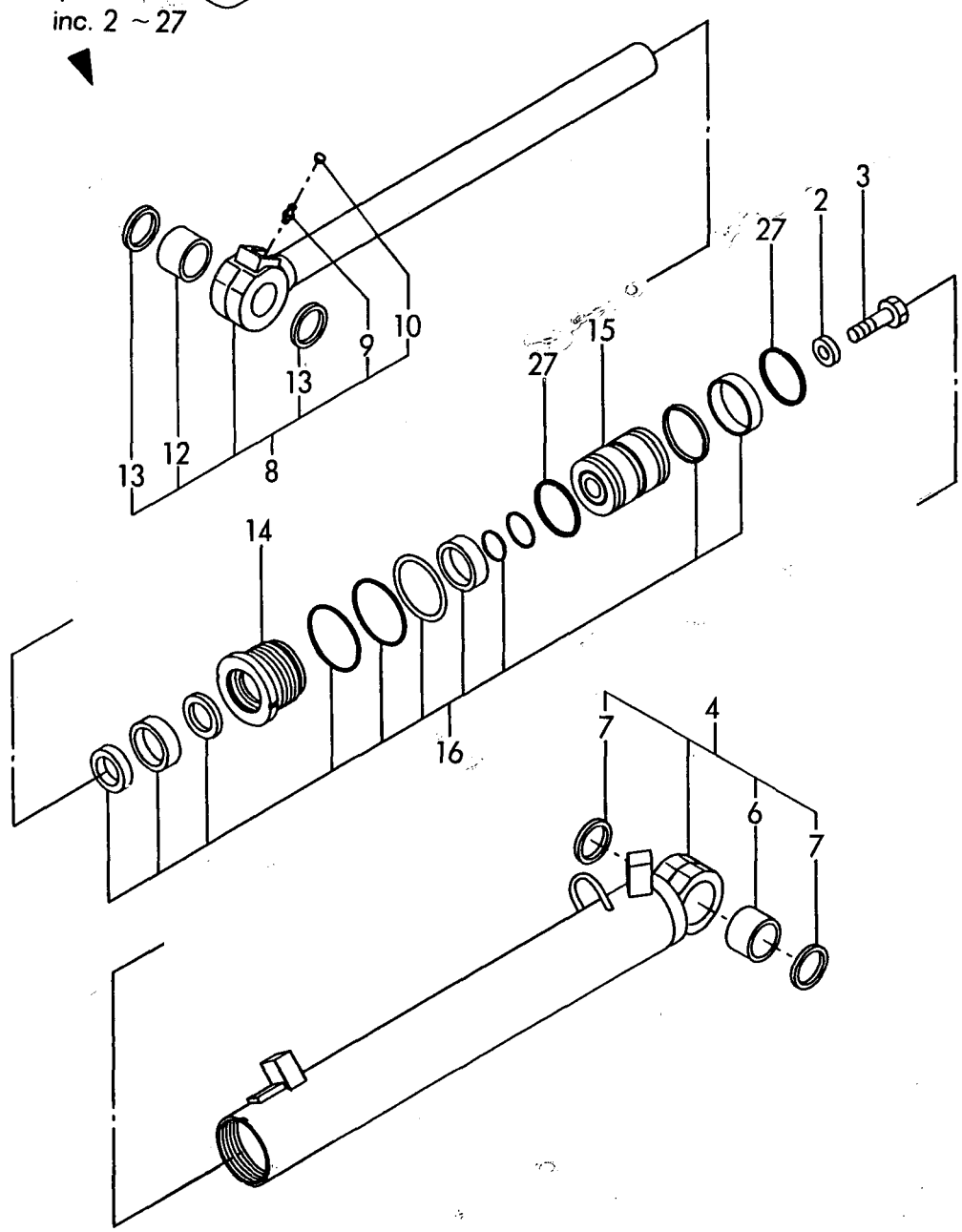
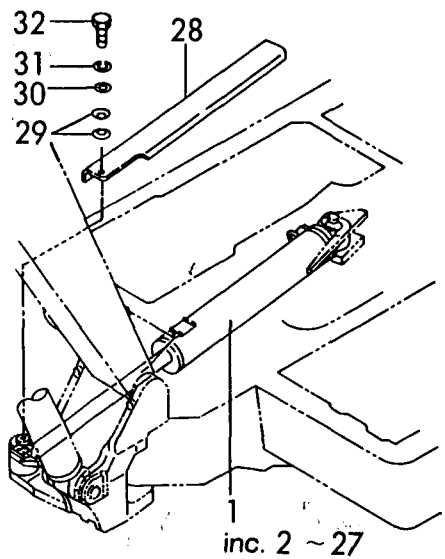
1,1,,172184-72430,, "CYLINDER ASSY, BUCKET",1,1,,,,,,,,,,,,,
2,2,,172184-72470,, "TUBE ASSY, BUCKET",1,1,,,,,,,,,,,,,
3,3,,172184-72020,, "NIPPLE, GREASE",1,1,,,,,,,,,,,,,
4,3,,172184-72030,, CAP,1,1,,,,,,,,,,,,,
6,3,,172184-72730,, BUSH,1,1,,,,,,,,,,,,,
7,3,,172168-81270,, "SEAL, DUST 38X50X4",2,2,,,,,,,,,,,,,
8,2,,172184-72500,, "ROD ASSY, BUCKET",1,1,,,,,,,,,,,,,
9,3,,172184-72020,, "NIPPLE, GREASE",1,1,,,,,,,,,,,,,
10,3,,172184-72030,, CAP,1,1,,,,,,,,,,,,,
12,3,,172184-72730,, BUSH,1,1,,,,,,,,,,,,,
13,3,,172168-81270,, "SEAL, DUST 38X50X4",2,2,,,,,,,,,,,,,
14,2,,172184-72520,, "HEAD, CYLINDER",1,1,,,,,,,,,,,,,
15,2,,172184-72530,, PISTON,1,1,,,,,,,,,,,,,
16,2,,172184-72540,, "SEAL KIT",1,1,,,,,,,,,,,,,
26,2,,172184-72550,, BOLT,1,1,,,,,,,,,,,,,
27,2,,172184-72560,, WASHER,1,1,,,,,,,,,,,,,

Fig.30 BUCKET CYLINDER



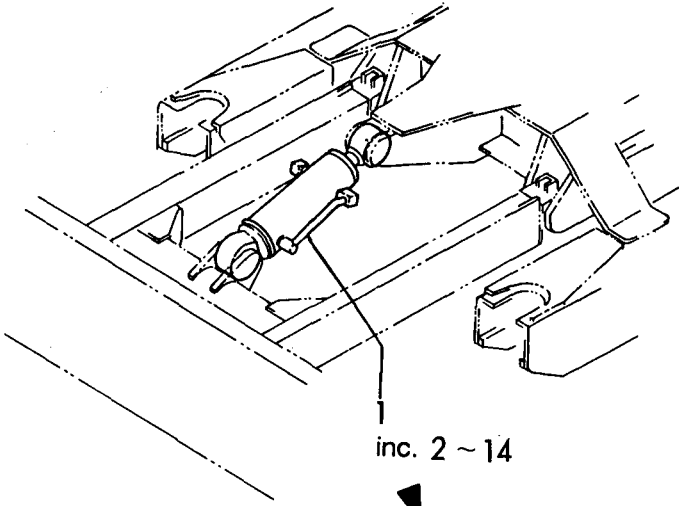
1,1,,172184-72200,, "CYLINDER ASSY, SWING",1,1,,,,,,,,,,,,,
2,2,,172184-72040,, WASHER,1,1,,,,,,,,,,,,,
3,2,,172184-72050,, BOLT,1,1,,,,,,,,,,,,,
4,2,,172184-72210,, "TUBE ASSY, SWING",1,1,,,,,,,,,,,,,
6,3,,172184-72730,, BUSH,1,1,,,,,,,,,,,,,
7,3,,172168-81270,, "SEAL,DUST 38X50X4",1,1,,,,,,,,,,,,,
8,2,,172184-72220,, "ROD ASSY, SWING",1,1,,,,,,,,,,,,,
9,3,,172184-72010,, "NIPPLE, GREASE",1,1,,,,,,,,,,,,,
10,3,,172184-72030,, CAP,1,1,,,,,,,,,,,,,
12,3,,172184-72730,, BUSH,1,1,,,,,,,,,,,,,
13,3,,172168-81270,, "SEAL,DUST 38X50X4",2,2,,,,,,,,,,,,,
14,2,,172184-72250,, "HEAD, CYLINDER",1,1,,,,,,,,,,,,,
15,2,,172184-72260,, PISTON,1,1,,,,,,,,,,,,,
16,2,,172184-72270,, "SEAL KIT",1,1,,,,,,,,,,,,,
27,2,,172184-72280,, RING,2,2,,,,,,,,,,,,,
28,1,,172184-72300,, "COVER, SWING",1,1,,,,,,,,,,,,,
29,1,,172159-72860,, SPRING,2,2,,,,,,,,,,,,,
30,1,,172161-72920,, WASHER,1,1,,,,,,,,,,,,,
31,1,,22217-100000,, "SPRING WASHER 10",1,1,,,,,,,,,,,,,
32,1,,26116-100162,, "BOLT M10X 16 PLATED",1,1,,,,,,,,,,,,,

Fig.31 SWING CYLINDER

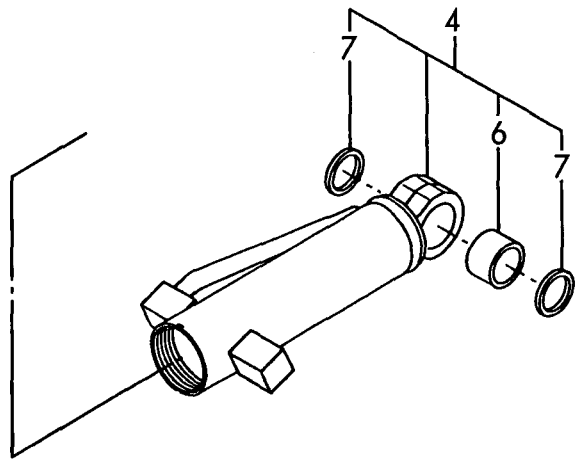
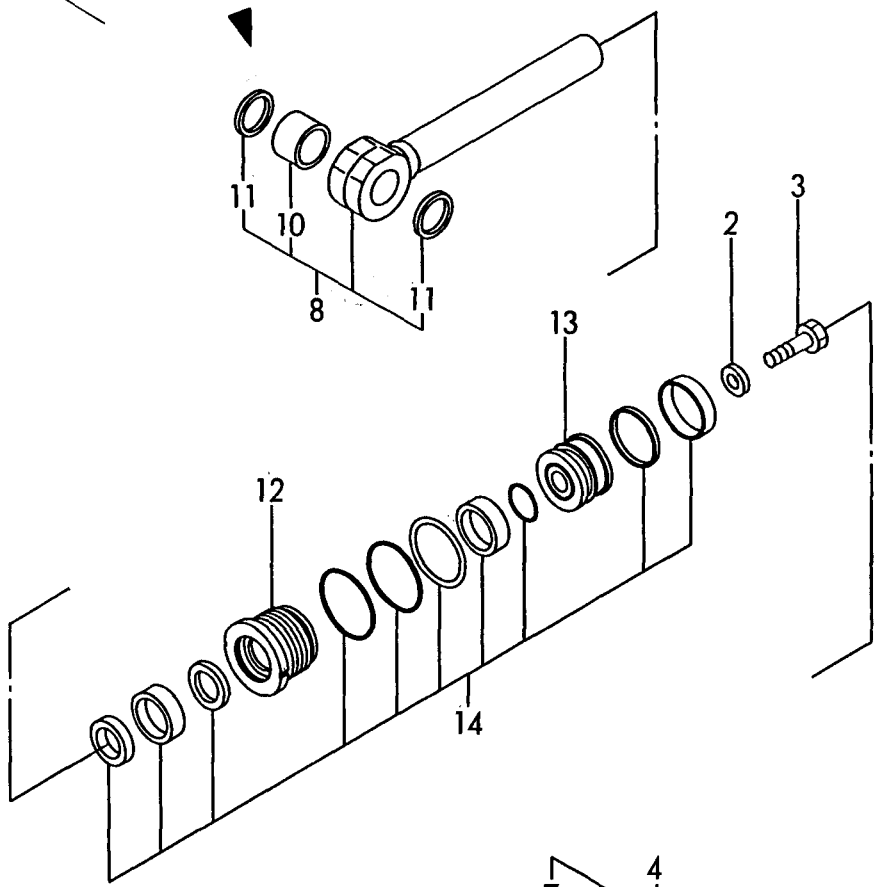


1,1,,172184-72570,, "CYLINDER ASSY, BLADE",1,1,,,,,,,,,,,,,
2,2,,172184-72040,, WASHER,1,1,,,,,,,,,,,,,
3,2,,172184-72050,, BOLT,1,1,,,,,,,,,,,,,
4,2,,172184-72580,, "TUBE ASSY, CYLINDER",1,1,,,,,,,,,,,,,
6,3,,172184-72650,, BUSH,1,1,,,,,,,,,,,,,
7,3,,172165-81750,, "SEAL 40X50X5, DUST",2,2,,,,,,,,,,,,,
8,2,,172184-72590,, "ROD ASSY, BLADE",1,1,,,,,,,,,,,,,
10,3,,172184-72650,, BUSH,1,1,,,,,,,,,,,,,
11,3,,172165-81750,, "SEAL 40X50X5, DUST",2,2,,,,,,,,,,,,,
12,2,,172184-72620,, "HEAD, CYLINDER",1,1,,,,,,,,,,,,,
13,2,,172184-72630,, PISTON,1,1,,,,,,,,,,,,,
14,2,,172184-72640,, "SEAL KIT",1,1,,,,,,,,,,,,,

Fig.32 BLADE CYLINDER



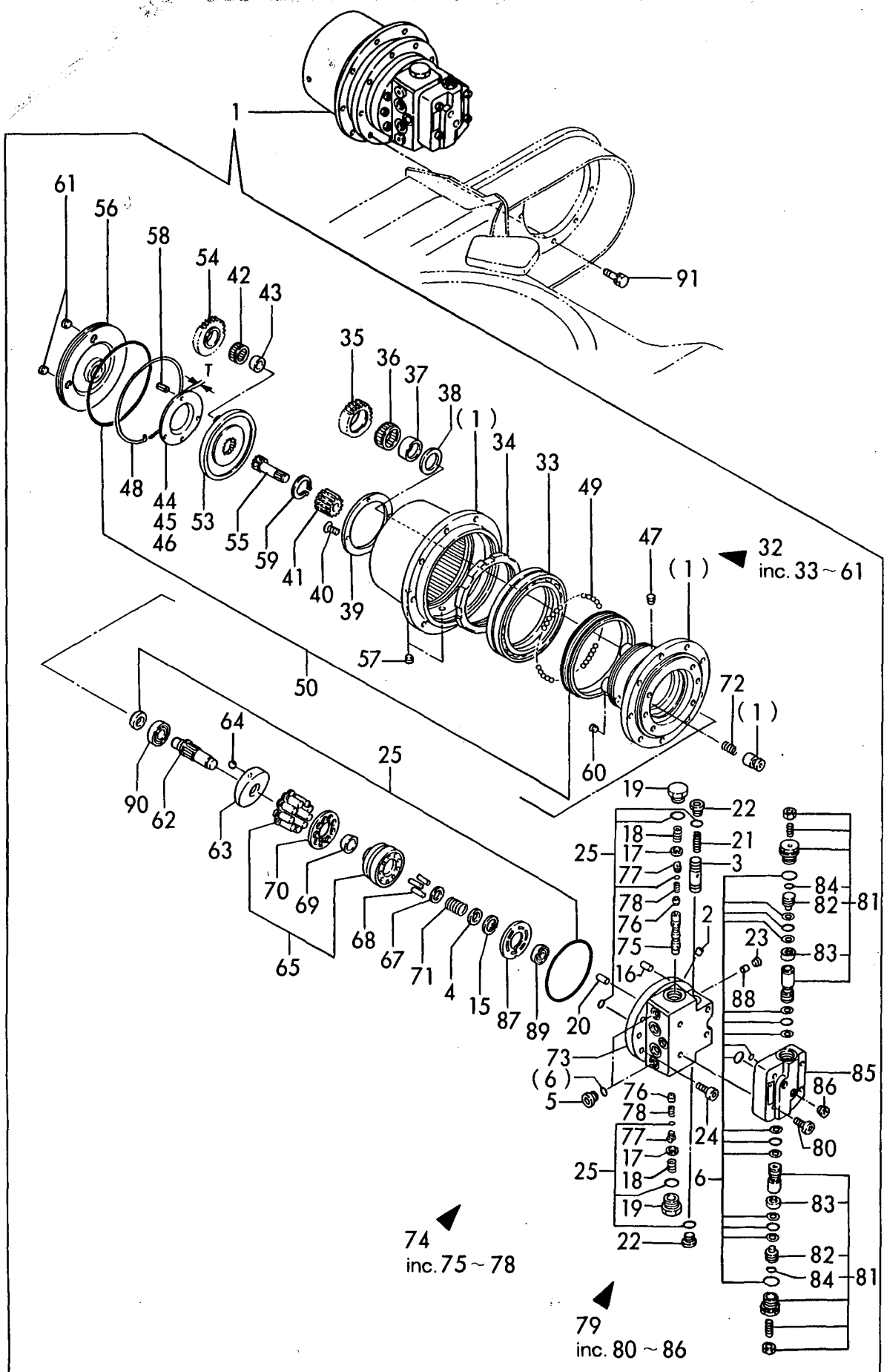
inc. 2 ~ 14



1,1,,172168-73300,, "MOTOR ASSY,DRIVING",2,2,,,,,,,,,,,,,,,,,,,,,
2,2,,172148-70240,,ORIFICE,4,4,,,,,,,,,,,,,,,,,,,,,
3,2,,172148-70250,,SPOOL,2,2,,,,,,,,,,,,,,,,,,,,,
4,2,,172141-70290,, "HOLDER, SPRING",2,2,,,,,,,,,,,,,,,,,,,,,
5,2,,172148-70301,,PLUG,4,4,,,,,,,,,,,,,,,,,,,,,
6,2,,172168-71790,, "SEAL KIT, BLOCK",2,2,,,,,,,,,,,,,,,,,,,,,
15,2,,172141-70310,, "SNAP RING",2,2,,,,,,,,,,,,,,,,,,,,,
16,2,,172122-70410,,PIN,4,4,,,,,,,,,,,,,,,,,,,,,
17,2,,172147-70440,, "SEAT, SPRING",4,4,,,,,,,,,,,,,,,,,,,,,
18,2,,172147-70450,,SPRING,4,4,,,,,,,,,,,,,,,,,,,,,
19,2,,172147-70460,,CAP,4,4,,,,,,,,,,,,,,,,,,,,,
20,2,,172141-70480,,PIN,2,2,,,,,,,,,,,,,,,,,,,,,
21,2,,172147-70490,,SPRING,2,2,,,,,,,,,,,,,,,,,,,,,
22,2,,172147-70500,,PLUG,4,4,,,,,,,,,,,,,,,,,,,,,
23,2,,172147-70510,,PLUG,6,6,,,,,,,,,,,,,,,,,,,,,
24,2,,172122-70540,, "BOLT, SOCKET",12,12,,,,,,,,,,,,,,,,,,,,,
25,2,,172168-71780,, "SEAL SET, MOTOR",2,2,,,,,,,,,,,,,,,,,,,,,
32,2,,172168-71800,,REDUCTION,2,2,,,,,,,,,,,,,,,,,,,,,
33,3,,172141-70030,, "BEARING, ANGULAR",2,2,,,,,,,,,,,,,,,,,,,,,
34,3,,172141-70040,, "NUT, RING",2,2,,,,,,,,,,,,,,,,,,,,,
35,3,,172141-70060,, "GEAR(B), PLANETARY",8,8,,,,,,,,,,,,,,,,,,,,,
36,3,,172141-70070,, "CAGE & ROLLER",8,8,,,,,,,,,,,,,,,,,,,,,
37,3,,172141-70080,,COLLAR,8,8,,,,,,,,,,,,,,,,,,,,,
38,3,,172141-70090,, "WASHER, THRUST",8,8,,,,,,,,,,,,,,,,,,,,,
39,3,,172141-70100,, "PLATE, THRUST",2,2,,,,,,,,,,,,,,,,,,,,,
40,3,,172141-70110,,SCREW,8,8,,,,,,,,,,,,,,,,,,,,,
41,3,,172141-70120,, "GEAR, SUN",2,2,,,,,,,,,,,,,,,,,,,,,
42,3,,172141-70150,, "CAGE & ROLLER",6,6,,,,,,,,,,,,,,,,,,,,,
43,3,,172141-70160,, "INNER LACE",6,6,,,,,,,,,,,,,,,,,,,,,
44,3,,172141-70180,, "PLATE(T1.8), THRUST",2,2,,,,,,,,,,,,,,,,,,,,,
45,3,,172141-70190,, "PLATE(T2.3), THRUST",2,2,,,,,,,,,,,,,,,,,,,,,
46,3,,172141-70200,, "PLATE(T2.8), THRUST",2,2,,,,,,,,,,,,,,,,,,,,,
47,3,,172147-70220,,PLUG,4,4,,,,,,,,,,,,,,,,,,,,,
48,3,,172141-70230,,WIRE,2,2,,,,,,,,,,,,,,,,,,,,,
49,3,,172122-70350,,BALL,264,264,,,,,,,,,,,,,,,,,,,,,
50,3,,172168-71770,, "SEAL SET, REDUCTION",2,2,,,,,,,,,,,,,,,,,,,,,
53,3,,172168-71810,,HOLDER,2,2,,,,,,,,,,,,,,,,,,,,,
54,3,,172168-71820,, "GEAR(A), PLANETARY",6,6,,,,,,,,,,,,,,,,,,,,,
55,3,,172168-71830,, "GEAR, DRIVE",2,2,,,,,,,,,,,,,,,,,,,,,
56,3,,172168-71840,,COVER,2,2,,,,,,,,,,,,,,,,,,,,,
57,3,,172122-73430,,PLUG,4,4,,,,,,,,,,,,,,,,,,,,,
58,3,,22351-050016,, "SPRING PIN 5X16",6,6,,,,,,,,,,,,,,,,,,,,,
59,3,,22242-000350,, "CIRCLIP 35",2,2,,,,,,,,,,,,,,,,,,,,,
60,3,,23871-020000,, "PLUG PT1/4,SCREW",4,4,,,,,,,,,,,,,,,,,,,,,
61,3,,23871-030000,, "PLUG PT3/8,SCREW",6,6,,,,,,,,,,,,,,,,,,,,,
62,2,,172168-71850,,SHAFT,2,2,,,,,,,,,,,,,,,,,,,,,
63,2,,172168-71860,,PLATE,2,2,,,,,,,,,,,,,,,,,,,,,
64,2,,172168-71870,,BALL,2,2,,,,,,,,,,,,,,,,,,,,,
65,2,,172168-71750,, "BLOCK ASSY, CYLINDER",2,2,,,,,,,,,,,,,,,,,,,,,
67,2,,172168-71900,, "SEAT,SPRING",2,2,,,,,,,,,,,,,,,,,,,,,
68,2,,172168-71910,,PIN,6,6,,,,,,,,,,,,,,,,,,,,,
69,2,,172168-71920,, "HOLDER,RETAINER",2,2,,,,,,,,,,,,,,,,,,,,,
70,2,,172168-71930,, "PLATE, RETAINER",2,2,,,,,,,,,,,,,,,,,,,,,
71,2,,172168-71890,,SPRING,2,2,,,,,,,,,,,,,,,,,,,,,
72,2,,172168-71950,,SPRING,4,4,,,,,,,,,,,,,,,,,,,,,
73,2,,172168-71960,,PLATE,2,2,,,,,,,,,,,,,,,,,,,,,
74,2,,172168-71970,, "PLUNGER W/BARREL",2,2,,,,,,,,,,,,,,,,,,,,,
75,3,,172147-70420,,PLUNGER,2,2,,,,,,,,,,,,,,,,,,,,,
76,3,,172122-70430,, "VALVE, CHECK",4,4,,,,,,,,,,,,,,,,,,,,,
77,3,,172147-70430,,PLUG,4,4,,,,,,,,,,,,,,,,,,,,,
78,3,,172122-70440,,SPRING,4,4,,,,,,,,,,,,,,,,,,,,,
79,2,,172168-71980,, "BLOCK ASSY.,RELIEF",2,2,,,,,,,,,,,,,,,,,,,,,
80,3,,172148-70350,,BOLT,8,8,,,,,,,,,,,,,,,,,,,,

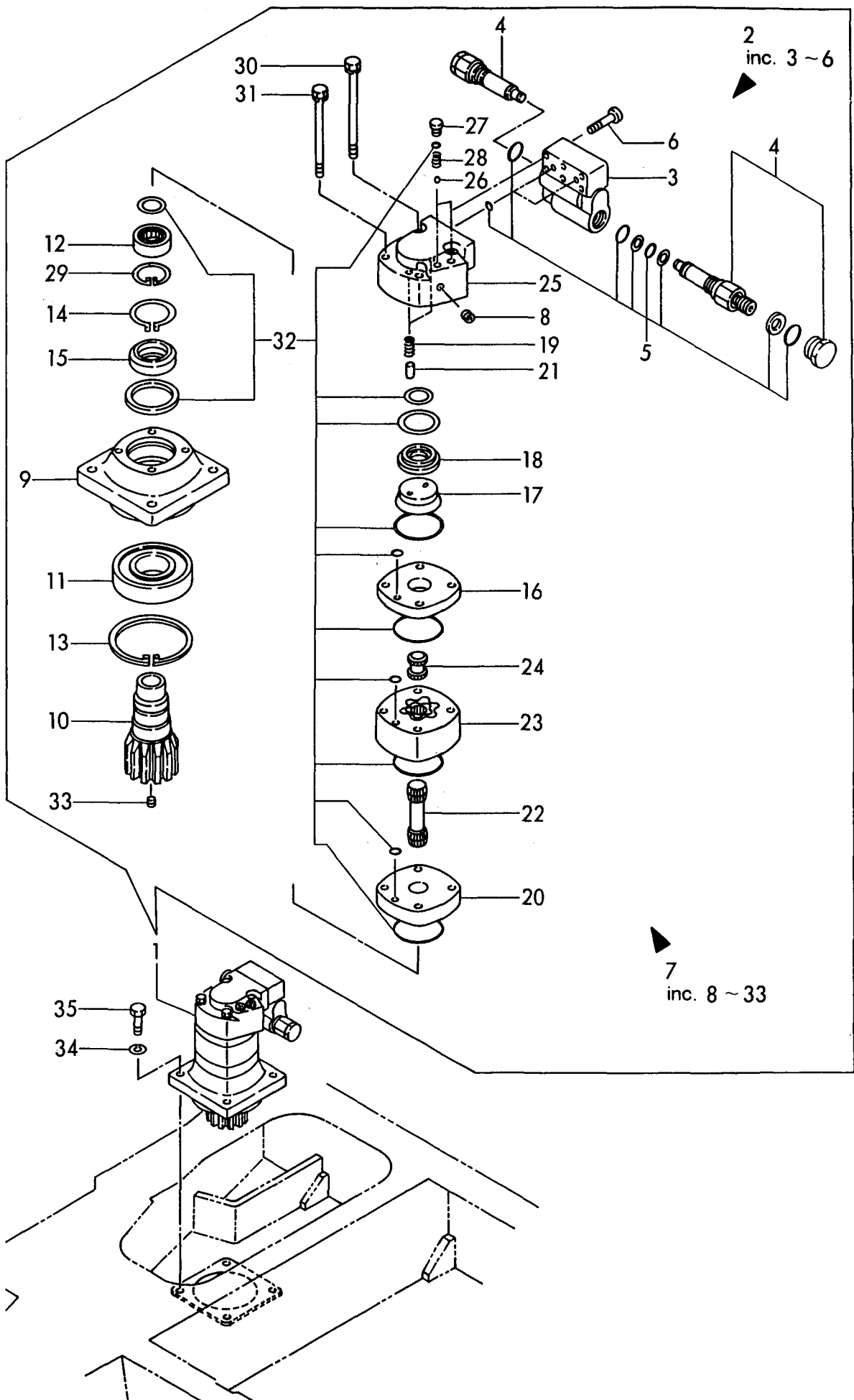
81,3,,172162-70690,, "VALVE ASSY, RELIEF",4,4,,,,,,,,,,,,,
82,4,,172153-70140,, "GUIDE, SPRING",4,4,,,,,,,,,,,,,
83,4,,172162-70750,, PISTON,4,4,,,,,,,,,,,,,
84,4,,24315-000090,, "O-RING 1B P- 9.0",4,4,,,,,,,,,,,,,
85,3,,172168-71990,, "VALVE BODY",2,2,,,,,,,,,,,,,
86,3,,23871-020000,, "PLUG PT1/4,SCREW",4,4,,,,,,,,,,,,,
87,2,,172638-73330,, PLATE,2,2,,,,,,,,,,,,,
88,2,,172312-74790,, ORIFICE,8,8,,,,,,,,,,,,,
89,2,,24101-060024,, "BALL BEARING",2,2,,,,,,,,,,,,,
90,2,,24101-060040,, "BALL BEARING",2,2,,,,,,,,,,,,,
91,1,,26013-120302,, "BOLT W/WASHER M12X30",18,18,,,,,,,,,,,,,

Fig.33 DRIVING MOTOR



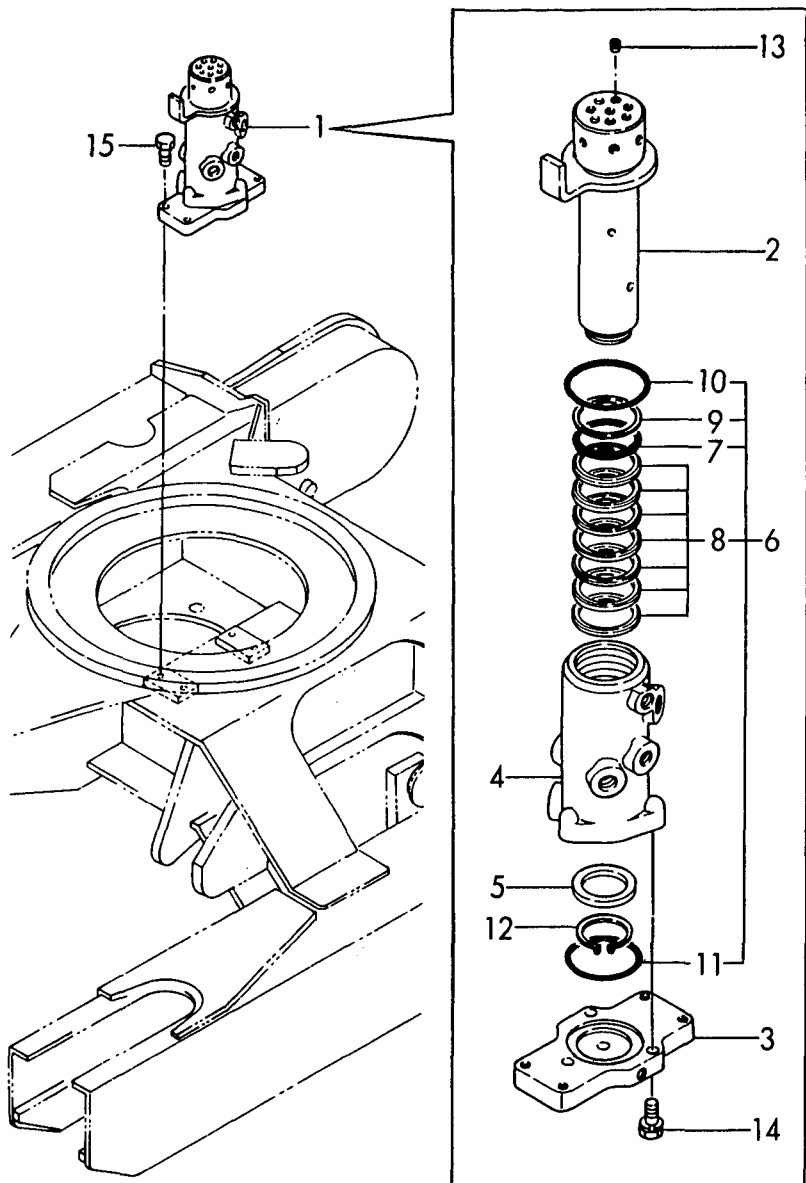
1,1,,172168-73310,, "MOTOR ASSY, SWING",1,1,,,,,,,,,,,,,
2,2,,172168-73330,, "VALVE ASY, SHOCKLESS",1,1,,,,,,,,,,,,,
3,3,,172168-73340,, "VALVE BODY",1,1,,,,,,,,,,,,,
4,3,,172168-73350,, "CARTRIDGE",2,2,,,,,,,,,,,,,
5,3,,172168-73360,, "SEAL KIT",1,1,,,,,,,,,,,,,
6,3,,172168-73370,, "BOLT",6,6,,,,,,,,,,,,,
7,2,,172168-73400,, "MOTOR ASSY, SWING",1,1,,,,,,,,,,,,,
8,3,,172137-70490,, "PLUG",1,1,,,,,,,,,,,,,
9,3,,172168-73410,, "HOUSING, BEARING",1,1,,,,,,,,,,,,,
10,3,,172168-73420,, "PINION",1,1,,,,,,,,,,,,,
11,3,,172168-73430,, "BEARING, BALL",1,1,,,,,,,,,,,,,
12,3,,172168-73440,, "NEEDLE BEARING",1,1,,,,,,,,,,,,,
13,3,,172168-73450,, "CIRE CLIP(H)",1,1,,,,,,,,,,,,,
14,3,,172168-73460,, "CIRCLIP, SHAFT",1,1,,,,,,,,,,,,,
15,3,,172168-73470,, "COLLAR",1,1,,,,,,,,,,,,,
16,3,,172168-73480,, "PLATE, VALVE",1,1,,,,,,,,,,,,,
17,3,,172168-73490,, "VALVE, EXH.",1,1,,,,,,,,,,,,,
18,3,,172168-73500,, "RING, BALANCING",1,1,,,,,,,,,,,,,
19,3,,172168-73510,, "SPRING",2,2,,,,,,,,,,,,,
20,3,,172168-73520,, "PLATE, WEAR",1,1,,,,,,,,,,,,,
21,3,,172168-73530,, "PIN",2,2,,,,,,,,,,,,,
22,3,,172168-73540,, "DRIVE",1,1,,,,,,,,,,,,,
23,3,,172168-73550,, "ROLLER",1,1,,,,,,,,,,,,,
24,3,,172168-73560,, "DRIVE, VALVE",1,1,,,,,,,,,,,,,
25,3,,172168-73570,, "HOUSING, VALVE",1,1,,,,,,,,,,,,,
26,3,,172168-73580,, "BALL",2,2,,,,,,,,,,,,,
27,3,,172168-73590,, "PLAG",2,2,,,,,,,,,,,,,
28,3,,172168-73600,, "SPRING",2,2,,,,,,,,,,,,,
29,3,,172168-73610,, "CIRCLIP, HOLE",1,1,,,,,,,,,,,,,
30,3,,172168-73620,, "BOLT",2,2,,,,,,,,,,,,,
31,3,,172168-73630,, "BOLT",2,2,,,,,,,,,,,,,
32,3,,172168-73640,, "SEAL SET",1,1,,,,,,,,,,,,,
33,3,,172141-77400,, "PLUG, BLIND",1,1,,,,,,,,,,,,,
34,1,,22217-160000,, "SPRING WASHER 16",4,4,,,,,,,,,,,,,
35,1,,26116-160502,, "BOLT M16X 50 PLATED",4,4,,,,,,,,,,,,,

Fig.34 TURNING MOTOR



1,1,,172148-73800,, "JOINT, SEIVEL",1,1,,,,,,,,,,,,,
2,2,,172148-73810,, "SHAFT, SWIVEL",1,1,,,,,,,,,,,,,
3,2,,172148-73830,, "FLANGE, SWIVEL",1,1,,,,,,,,,,,,,
4,2,,172148-73840,, "HUB, SWIVEL",1,1,,,,,,,,,,,,,
5,2,,172137-73860,, "SPACER, SWIVEL",1,1,,,,,,,,,,,,,
6,2,,172148-73880,, "SEAL KIT, SWIVEL",1,1,,,,,,,,,,,,,
7,3,,172142-73800,, "O-RING 55.76X5.7",1,1,,,,,,,,,,,,,
8,3,,172148-73860,, "SEAL STK",7,7,,,,,,,,,,,,,
9,3,,172148-73870,, "LING EL, BUCK UP",1,1,,,,,,,,,,,,,
10,3,,24311-000750,, "O-RING 1A P-75.0",1,1,,,,,,,,,,,,,
11,3,,24321-000700,, "O-RING 1A G-70.0",1,1,,,,,,,,,,,,,
12,2,,22242-000451,, "CIRCLIP 45",1,1,,,,,,,,,,,,,
13,2,,23871-020000,, "PLUG PT1/4, SCREW",7,7,,,,,,,,,,,,,
14,2,,26013-100352,, "BOLT M10X 35",3,3,,,,,,,,,,,,,
15,1,,26013-100352,, "BOLT M10X 35",4,4,,,,,,,,,,,,,

Fig.35 SWIVEL JOINT



1,1,,172168-74121,, "VALVE ASSY, CONTROL",1,1,,,,,,,,,,,,,
2,2,,172112-06480,, PLUG,2,2,,,,,,,,,,,,,
3,2,,172112-06490,, O-RING,2,2,,,,,,,,,,,,,
4,2,,172168-72500,, "SECTION KIT, INLET",1,1,,,,,,,,,,,,,
5,3,,172168-72680,, "VALVE 185/33, REFIEF",1,1,,,,,,,,,,,,,
6,4,,172116-74150,, O-RING,1,1,,,,,,,,,,,,,
7,3,,172116-74150,, O-RING,1,1,,,,,,,,,,,,,
8,3,,172116-74320,, PLUG,1,1,,,,,,,,,,,,,
9,3,,172122-74520,, "SECTION, INLET",1,1,,,,,,,,,,,,,
10,4,,933171-80590,, O-RING,1,1,,,,,,,,,,,,,
11,2,,172168-72510,, "SECTION KIT, INLET",1,1,,,,,,,,,,,,,
12,3,,172168-72690,, "VALVE 160/27, REFIEF",1,1,,,,,,,,,,,,,
13,4,,172116-74150,, O-RING,1,1,,,,,,,,,,,,,
14,3,,172122-74520,, "SECTION, INLET",1,1,,,,,,,,,,,,,
15,4,,933171-80590,, O-RING,1,1,,,,,,,,,,,,,
16,2,,172168-72620,, "SECTION ASSY., SPACER",1,1,,,,,,,,,,,,,
17,3,,172122-73430,, PLUG,1,1,,,,,,,,,,,,,
18,3,,172142-74900,, SPACER,1,1,,,,,,,,,,,,,
19,2,,172168-72910,, "SECTION KIT, SPACER",1,1,,,,,,,,,,,,,
20,3,,172168-72680,, "VALVE 185/33, REFIEF",1,1,,,,,,,,,,,,,
21,4,,172116-74150,, O-RING,1,1,,,,,,,,,,,,,
22,3,,172146-74720,, "VALVE ASSY, SHUT-OFF",1,1,,,,,,,,,,,,,
23,4,,172116-74150,, O-RING,1,1,,,,,,,,,,,,,
24,4,,24311-240100,, "O-RING 1A P-10A",1,1,,,,,,,,,,,,,
25,3,,172146-74680,, "SECTION ASSY, SPACER",1,1,,,,,,,,,,,,,
26,4,,172122-73430,, PLUG,1,1,,,,,,,,,,,,,
27,4,,23871-030000,, "PLUG PT3/8, SCREW",1,1,,,,,,,,,,,,,
28,4,,933171-80590,, O-RING,1,1,,,,,,,,,,,,,
29,2,,172151-74110,, TIE-ROD,2,2,,,,,,,,,,,,,
30,2,,172151-74120,, TIE-ROD,1,1,,,,,,,,,,,,,
31,2,,172116-74150,, O-RING,1,1,,,,,,,,,,,,,
32,2,,172116-74320,, PLUG,1,1,,,,,,,,,,,,,
33,2,,26716-080002,, "NUT M 8",4,4,,,,,,,,,,,,,
34,2,,26716-100002,, "NUT M10",2,2,,,,,,,,,,,,,
35,1,,172174-45600,, "PLATE ASSY, LINK",1,1,,,,,,,,,,,,,
36,1,,172165-45490,, CUSHION,5,5,,,,,,,,,,,,,
37,1,,22252-000280,, "CIRCLIP 28",5,5,,,,,,,,,,,,,
38,1,,26106-100352,, "BOLT M10X 35 PLATED",5,5,,,,,,,,,,,,,
39,1,,26013-100302,, "BOLT M10X 30",3,3,,,,,,,,,,,,,
40,1,,26716-100002,, "NUT M10",1,1,,,,,,,,,,,,,

Fig. 36 CONTROL V. (P PORT & VALVE STAND)

CONTROL VALVE ASSY

172168-74121

Fig. 36 Ref. No. 1

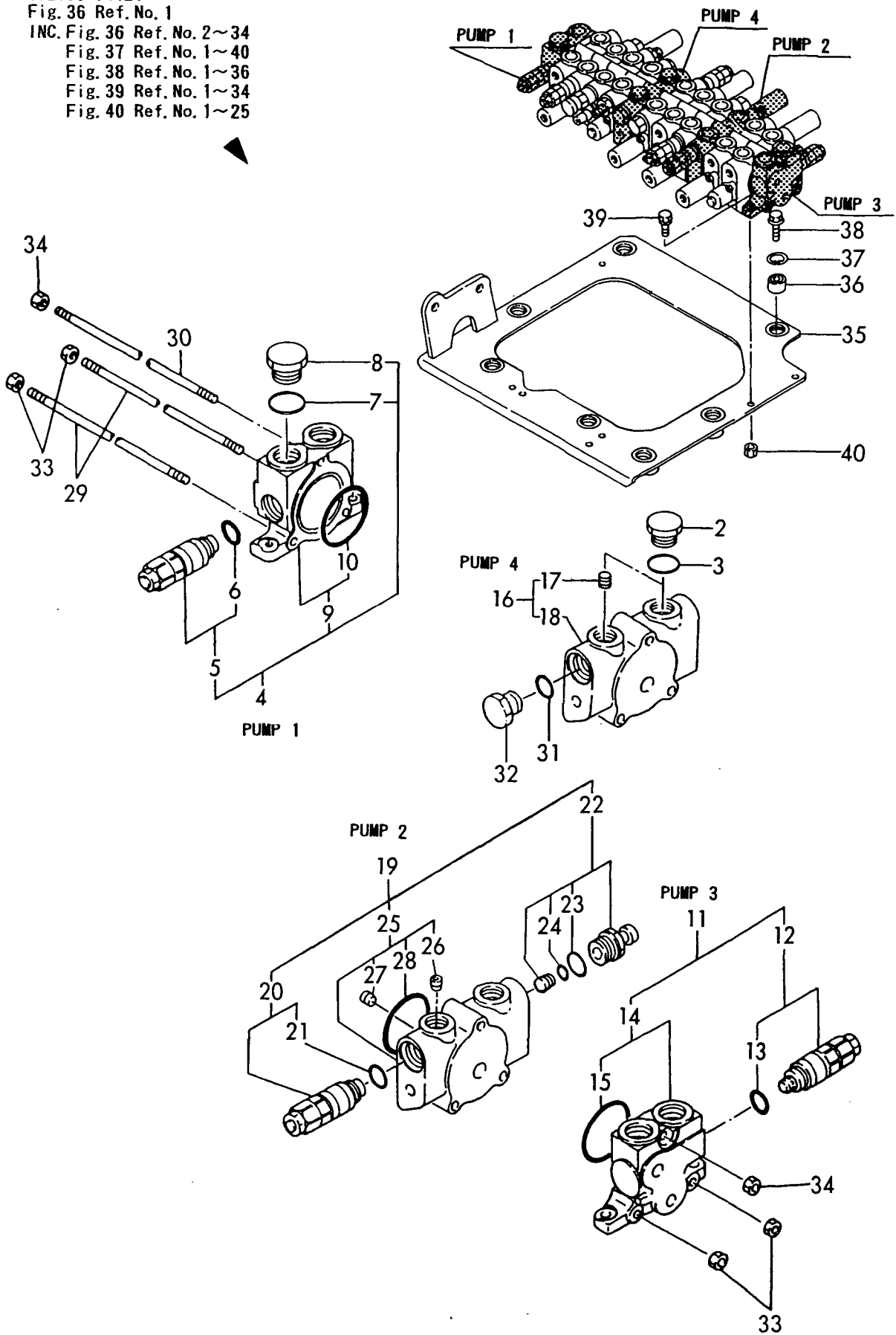
INC. Fig. 36 Ref. No. 2~34

Fig. 37 Ref. No. 1~40

Fig. 38 Ref. No. 1~36

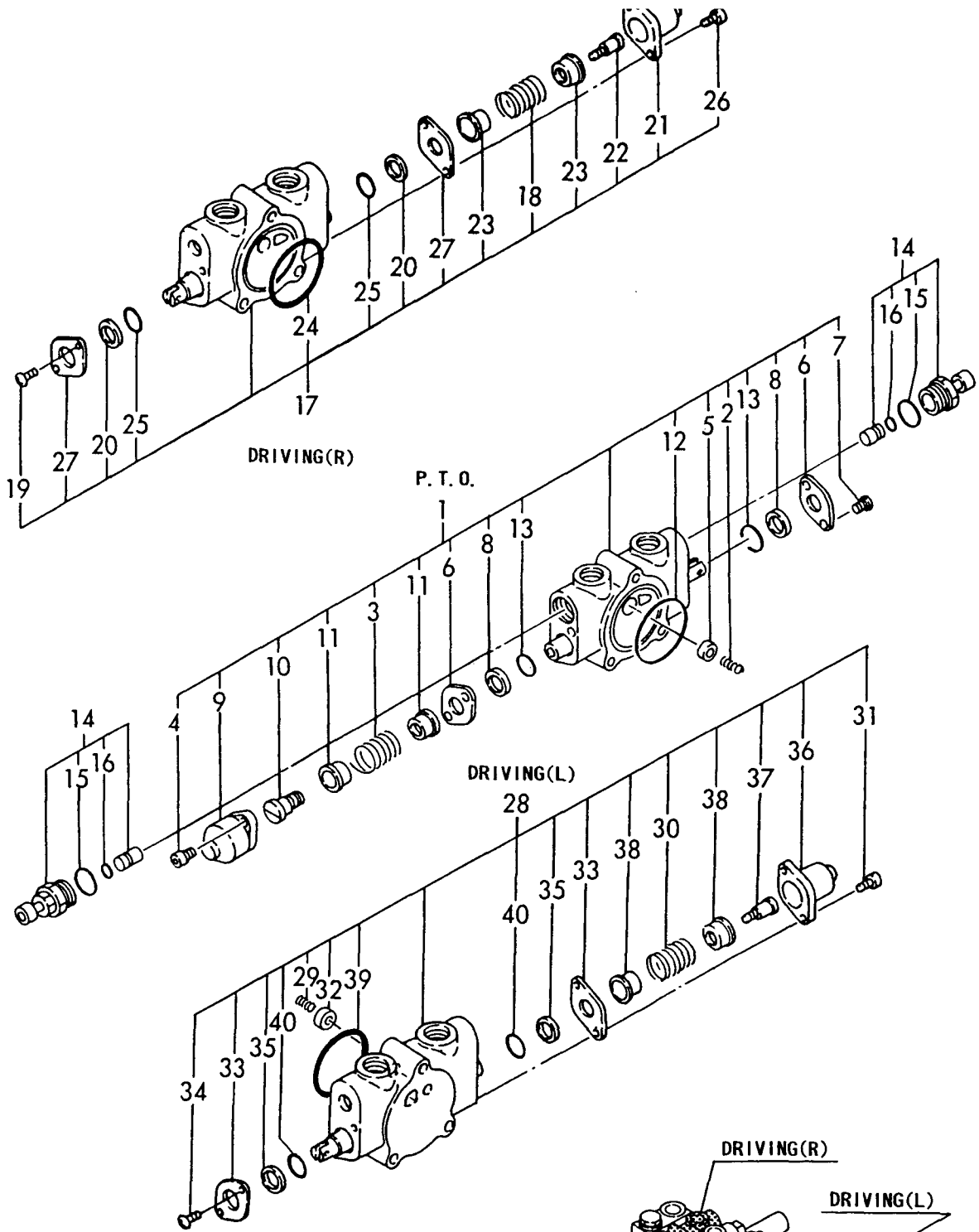
Fig. 39 Ref. No. 1~34

Fig. 40 Ref. No. 1~25



1,2,,172168-72610,, "SECTION ASSY, SPOOL",1,1,,,,,,,,,,,,,,,,,,,,,
2,3,,172168-72750,, "SPRING,CHECK VALVE",1,1,,,,,,,,,,,,,,,,,,,,,
3,3,,172168-72760,, "SPRING, SPOOL",1,1,,,,,,,,,,,,,,,,,,,,,
4,3,,172151-74060,, "BOLT, SOCKET HEAD",2,2,,,,,,,,,,,,,,,,,,,,,
5,3,,172122-74130,, POPPET,1,1,,,,,,,,,,,,,,,,,,,,,
6,3,,172116-74190,, "PLATE, SEAL",2,2,,,,,,,,,,,,,,,,,,,,,
7,3,,172116-74220,, SCREW,2,2,,,,,,,,,,,,,,,,,,,,,
8,3,,933166-80520,, WIPER,2,2,,,,,,,,,,,,,,,,,,,,,
9,3,,933166-80530,, CAP,1,1,,,,,,,,,,,,,,,,,,,,,
10,3,,933166-80550,, "SCREW, CAP",1,1,,,,,,,,,,,,,,,,,,,,,
11,3,,933171-80510,, "SEAT, SPRING",2,2,,,,,,,,,,,,,,,,,,,,,
12,3,,933171-80590,, O-RING,1,1,,,,,,,,,,,,,,,,,,,,,
13,3,,933171-80610,, O-RING,2,2,,,,,,,,,,,,,,,,,,,,,
14,2,,172146-74720,, "VALVE ASSY, SHUT-OFF",2,2,,,,,,,,,,,,,,,,,,,,,
15,3,,172116-74150,, O-RING,2,2,,,,,,,,,,,,,,,,,,,,,
16,3,,24311-240100,, "O-RING 1A P-10A",2,2,,,,,,,,,,,,,,,,,,,,,
17,2,,172168-72580,, "SECTION ASSY, SPOOL",1,1,,,,,,,,,,,,,,,,,,,,,
18,3,,172122-74050,, SPRING,1,1,,,,,,,,,,,,,,,,,,,,,
19,3,,172116-74220,, SCREW,2,2,,,,,,,,,,,,,,,,,,,,,
20,3,,933166-80520,, WIPER,2,2,,,,,,,,,,,,,,,,,,,,,
21,3,,933166-80530,, CAP,1,1,,,,,,,,,,,,,,,,,,,,,
22,3,,933166-80550,, "SCREW, CAP",1,1,,,,,,,,,,,,,,,,,,,,,
23,3,,933171-80510,, "SEAT, SPRING",2,2,,,,,,,,,,,,,,,,,,,,,
24,3,,933171-80590,, O-RING,1,1,,,,,,,,,,,,,,,,,,,,,
25,3,,933171-80610,, O-RING,2,2,,,,,,,,,,,,,,,,,,,,,
26,3,,172151-74060,, "BOLT, SOCKET HEAD",2,2,,,,,,,,,,,,,,,,,,,,,
27,3,,172116-74190,, "PLATE, SEAL",2,2,,,,,,,,,,,,,,,,,,,,,
28,2,,172168-72650,, "SECTION ASSY, SPOOL",1,1,,,,,,,,,,,,,,,,,,,,,
29,3,,172168-72750,, "SPRING,CHECK VALVE",1,1,,,,,,,,,,,,,,,,,,,,,
30,3,,172122-74050,, SPRING,1,1,,,,,,,,,,,,,,,,,,,,,
31,3,,172151-74060,, "BOLT, SOCKET HEAD",2,2,,,,,,,,,,,,,,,,,,,,,
32,3,,172122-74130,, POPPET,1,1,,,,,,,,,,,,,,,,,,,,,
33,3,,172116-74190,, "PLATE, SEAL",2,2,,,,,,,,,,,,,,,,,,,,,
34,3,,172116-74220,, SCREW,2,2,,,,,,,,,,,,,,,,,,,,,
35,3,,933166-80520,, WIPER,2,2,,,,,,,,,,,,,,,,,,,,,
36,3,,933166-80530,, CAP,1,1,,,,,,,,,,,,,,,,,,,,,
37,3,,933166-80550,, "SCREW, CAP",1,1,,,,,,,,,,,,,,,,,,,,,
38,3,,933171-80510,, "SEAT, SPRING",2,2,,,,,,,,,,,,,,,,,,,,,
39,3,,933171-80590,, O-RING,1,1,,,,,,,,,,,,,,,,,,,,,
40,3,,933171-80610,, O-RING,2,2,,,,,,,,,,,,,,,,,,,,,

Fig.37 CONTROL V. (DRIVING & P. T. O.)



CONTROL VALVE ASSY

172168-74121

Fig. 36 Ref. No. 1

INC. Fig. 36 Ref. No. 2~34

Fig. 37 Ref. No. 1~40

Fig. 38 Ref. No. 1~36

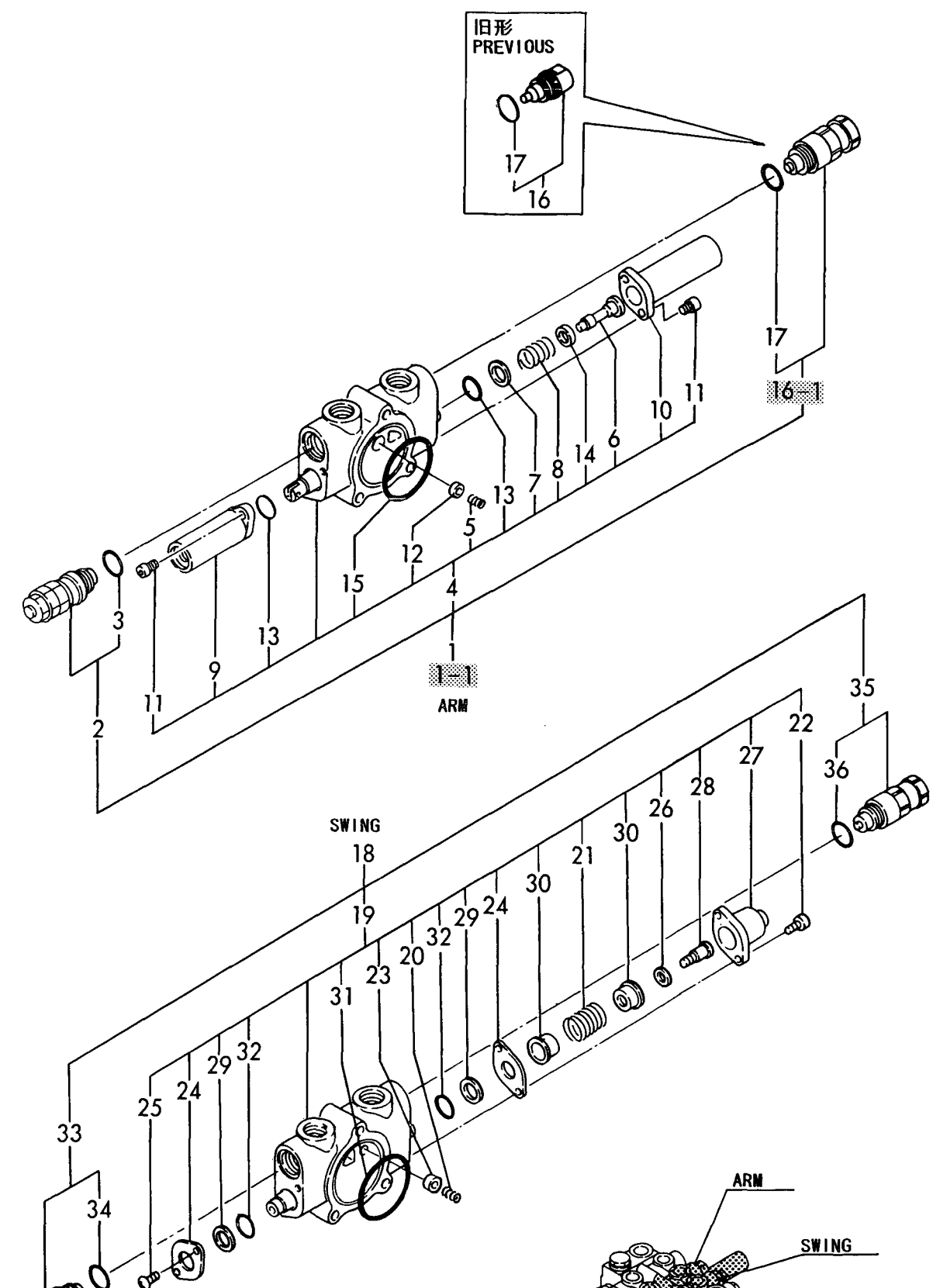
Fig. 39 Ref. No. 1~34

Fig. 40 Ref. No. 1~25

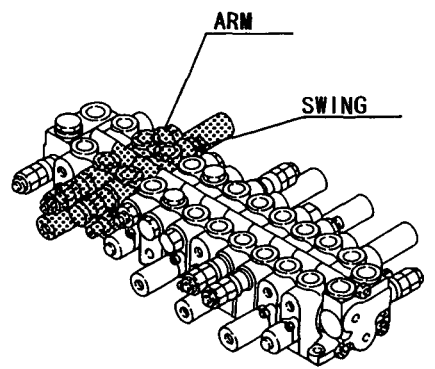
OPTIONAL

1,2,,172190-72770,, "SECTION KIT, SPOOL",1,1,,,,,,,,,,,,,
1-1,2,,172190-72771,, "SECTION KIT,
SPOOL",1,1,,,,,N,,72168279,M50055,72168279,M50055,,,,,,,,,I
2,3,,172168-72720,,VALVE,1,1,,,,,,,,,,,,,
3,4,,172116-74150,,O-RING,1,1,,,,,,,,,,,,,
4,3,,172190-72800,, "SECTION ASSY., SPOOL",1,1,,,,,,,,,,,,,
5,4,,172168-72750,, "SPRING,CHECK VALVE",1,1,,,,,,,,,,,,,
6,4,,172168-72850,, "END, SPOOL",1,1,,,,,,,,,,,,,
7,4,,172168-72860,, "SEAT,SPRING",1,1,,,,,,,,,,,,,
8,4,,172168-72880,,SPRING,1,1,,,,,,,,,,,,,
9,4,,172168-72890,,CAP,1,1,,,,,,,,,,,,,
10,4,,172168-72900,,CAP,1,1,,,,,,,,,,,,,
11,4,,172151-74060,, "BOLT, SOCKET HEAD",4,4,,,,,,,,,,,,,
12,4,,172122-74130,,POPPET,1,1,,,,,,,,,,,,,
13,4,,172151-74320,,O-RING,2,2,,,,,,,,,,,,,
14,4,,933171-80510,, "SEAT, SPRING",1,1,,,,,,,,,,,,,
15,4,,933171-80590,,O-RING,1,1,,,,,,,,,,,,,
16,3,,172310-79180,,VALVE,1,1,,,,,,,,,,,,,
16-1,3,,172146-74730,, "VALVE
ASSY",1,1,,,,,N,,72168279,M50055,72168279,M50055,,,,,,,,,I
17,4,,172116-74150,,O-RING,1,1,,,,,,,,,,,,,
18,2,,172168-72530,, "SECTION KIT, SPOOL",1,1,,,,,,,,,,,,,
19,3,,172168-72600,, "SECTION ASSY, SPOOL",1,1,,,,,,,,,,,,,
20,4,,172168-72750,, "SPRING,CHECK VALVE",1,1,,,,,,,,,,,,,
21,4,,172122-74050,,SPRING,1,1,,,,,,,,,,,,,
22,4,,172151-74060,, "BOLT, SOCKET HEAD",1,1,,,,,,,,,,,,,
23,4,,172122-74130,,POPPET,1,1,,,,,,,,,,,,,
24,4,,172116-74190,, "PLATE, SEAL",2,2,,,,,,,,,,,,,
25,4,,172116-74220,,SCREW,1,1,,,,,,,,,,,,,
26,4,,172146-74740,,WASHER,1,1,,,,,,,,,,,,,
27,4,,933166-80530,,CAP,2,2,,,,,,,,,,,,,
28,4,,933166-80550,, "SCREW, CAP",1,1,,,,,,,,,,,,,
29,4,,933166-80520,,WIPER,2,2,,,,,,,,,,,,,
30,4,,933171-80510,, "SEAT, SPRING",1,1,,,,,,,,,,,,,
31,4,,933171-80590,,O-RING,1,1,,,,,,,,,,,,,
32,4,,933171-80610,,O-RING,2,2,,,,,,,,,,,,,
33,3,,172168-72700,, "VALVE 210/33, REFIEF",1,1,,,,,,,,,,,,,
34,4,,172116-74150,,O-RING,1,1,,,,,,,,,,,,,
35,3,,172146-74730,, "VALVE ASSY",1,1,,,,,,,,,,,,,
36,4,,172116-74150,,O-RING,1,1,,,,,,,,,,,,,

Fig.38 CONTROL V. (ARM & SWING)

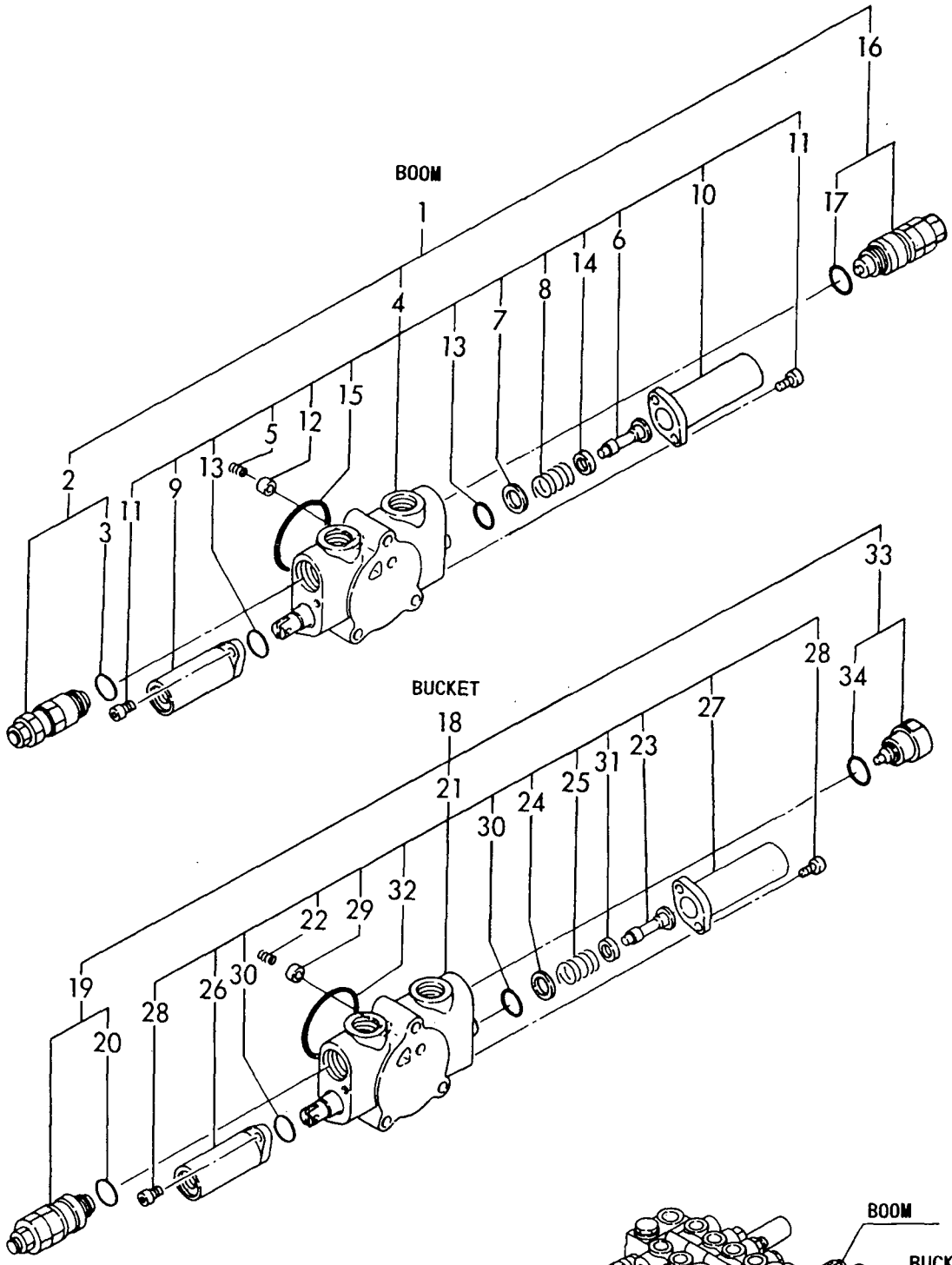


CONTROL VALVE ASSY
 172168-74121
 Fig. 36 Ref. No. 1
 INC. Fig. 36 Ref. No. 2~34
 Fig. 37 Ref. No. 1~40
 Fig. 38 Ref. No. 1~36
 Fig. 39 Ref. No. 1~34
 Fig. 40 Ref. No. 1~25

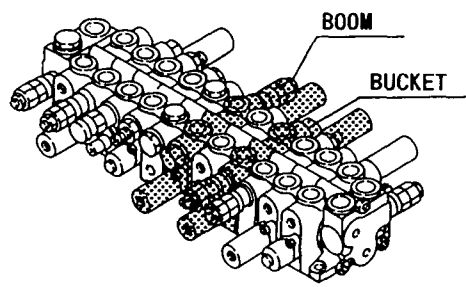


1,2,,172190-72780,, "SECTION KIT, SPOOL",1,1,,,,,,,,,,,,,
2,3,,172142-74960,, "VALVE, RELIEF",1,1,,,,,,,,,,,,,
3,4,,172116-74150,, O-RING,1,1,,,,,,,,,,,,,
4,3,,172175-74290,, "SECTION ASSY, SPOOL",1,1,,,,,,,,,,,,,
5,4,,172168-72750,, "SPRING,CHECK VALVE",1,1,,,,,,,,,,,,,
6,4,,172168-72850,, "END, SPOOL",1,1,,,,,,,,,,,,,
7,4,,172168-72860,, "SEAT,SPRING",1,1,,,,,,,,,,,,,
8,4,,172168-72880,, SPRING,1,1,,,,,,,,,,,,,
9,4,,172168-72890,, CAP,1,1,,,,,,,,,,,,,
10,4,,172168-72900,, CAP,1,1,,,,,,,,,,,,,
11,4,,172151-74060,, "BOLT, SOCKET HEAD",4,4,,,,,,,,,,,,,
12,4,,172122-74130,, POPPET,1,1,,,,,,,,,,,,,
13,4,,172151-74320,, O-RING,2,2,,,,,,,,,,,,,
14,4,,933171-80510,, "SEAT, SPRING",1,1,,,,,,,,,,,,,
15,4,,933171-80590,, O-RING,1,1,,,,,,,,,,,,,
16,3,,172168-72710,, VALVE,1,1,,,,,,,,,,,,,
17,4,,172116-74150,, O-RING,1,1,,,,,,,,,,,,,
18,2,,172190-72790,, "SECTION KIT, SPOOL",1,1,,,,,,,,,,,,,
19,3,,172168-72730,, "VALVE 260/33,RELIEF",1,1,,,,,,,,,,,,,
20,4,,172116-74150,, O-RING,1,1,,,,,,,,,,,,,
21,3,,172175-74210,, "SPOOL SECTION ASSY",1,1,,,,,,,,,,,,,
22,4,,172168-72750,, "SPRING,CHECK VALVE",1,1,,,,,,,,,,,,,
23,4,,172168-72850,, "END, SPOOL",1,1,,,,,,,,,,,,,
24,4,,172168-72860,, "SEAT,SPRING",1,1,,,,,,,,,,,,,
25,4,,172168-72880,, SPRING,1,1,,,,,,,,,,,,,
26,4,,172168-72890,, CAP,1,1,,,,,,,,,,,,,
27,4,,172168-72900,, CAP,1,1,,,,,,,,,,,,,
28,4,,172151-74060,, "BOLT, SOCKET HEAD",4,4,,,,,,,,,,,,,
29,4,,172122-74130,, POPPET,1,1,,,,,,,,,,,,,
30,4,,172151-74320,, O-RING,2,2,,,,,,,,,,,,,
31,4,,933171-80510,, "SEAT, SPRING",1,1,,,,,,,,,,,,,
32,4,,933171-80590,, O-RING,1,1,,,,,,,,,,,,,
33,3,,172310-79180,, VALVE,1,1,,,,,,,,,,,,,
34,4,,172116-74150,, O-RING,1,1,,,,,,,,,,,,,

Fig.39 CONTROL V. (BOOM & BUCKET)

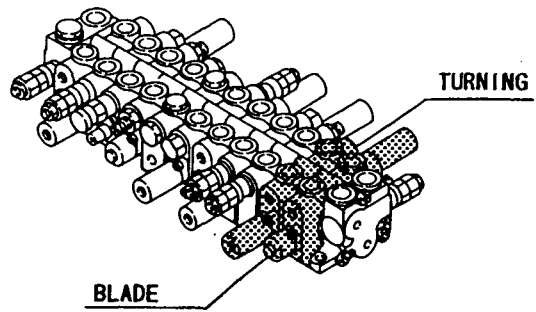
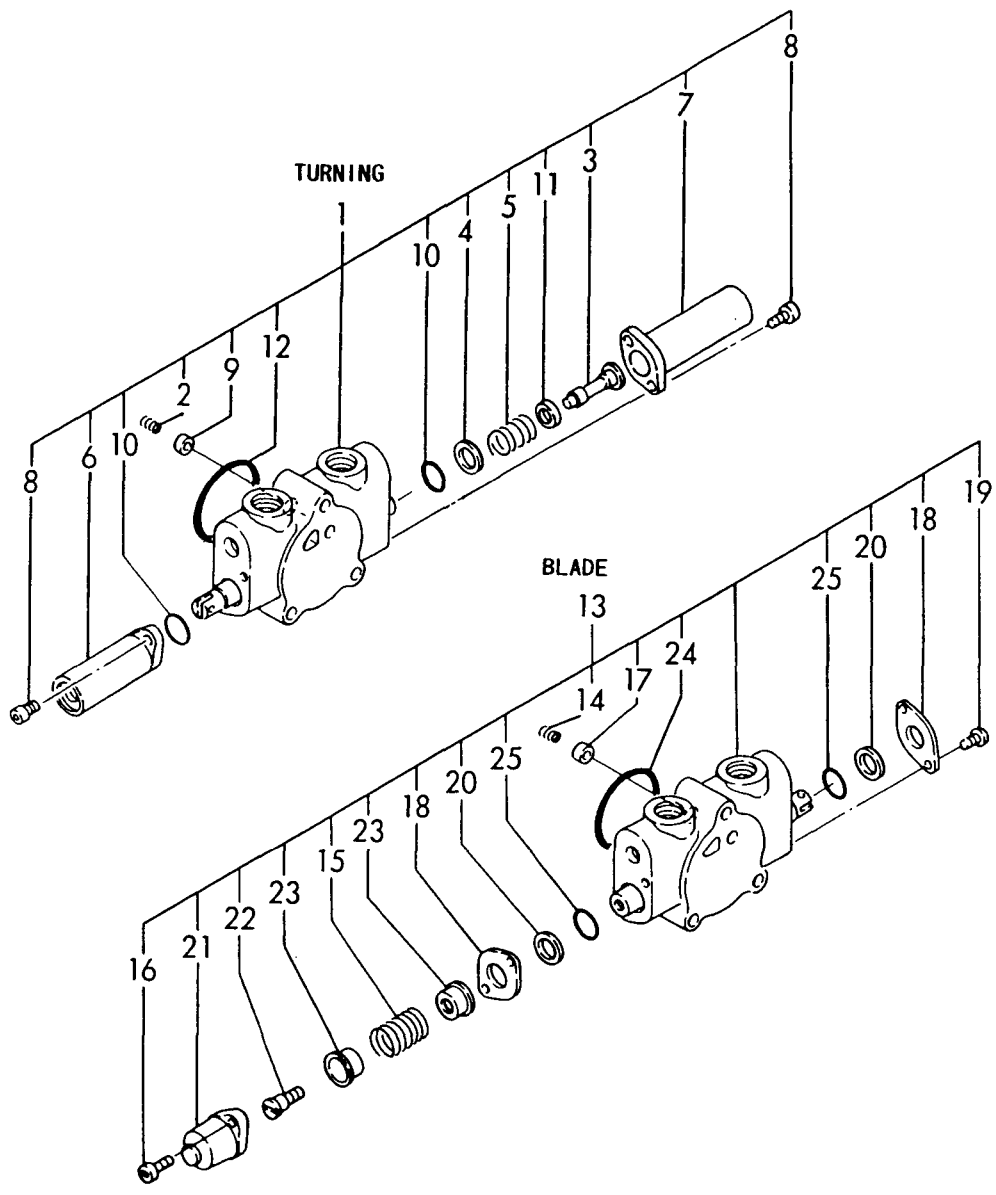


CONTROL VALVE ASSY
 172168-74121
 Fig. 36 Ref. No. 1
 INC. Fig. 36 Ref. No. 2~4
 Fig. 37 Ref. No. 1~40
 Fig. 38 Ref. No. 1~36
 Fig. 39 Ref. No. 1~34
 Fig. 40 Ref. No. 1~25



1,2,,172190-72830,, "SECTION KIT, SPOOL",1,1,,,,,,,,,,,,,
2,3,,172168-72750,, "SPRING,CHECK VALVE",1,1,,,,,,,,,,,,,
3,3,,172168-72850,, "END, SPOOL",1,1,,,,,,,,,,,,,
4,3,,172168-72860,, "SEAT,SPRING",1,1,,,,,,,,,,,,,
5,3,,172151-74340,, SPRING,1,1,,,,,,,,,,,,,
6,3,,172168-72870,, CAP,1,1,,,,,,,,,,,,,
7,3,,172168-72840,, "CAP, FILLER",1,1,,,,,,,,,,,,,
8,3,,172151-74060,, "BOLT, SOCKET HEAD",4,4,,,,,,,,,,,,,
9,3,,172122-74130,, POPPET,1,1,,,,,,,,,,,,,
10,3,,172151-74320,, O-RING,2,2,,,,,,,,,,,,,
11,3,,933171-80510,, "SEAT, SPRING",1,1,,,,,,,,,,,,,
12,3,,933171-80590,, O-RING,1,1,,,,,,,,,,,,,
13,2,,172168-72670,, "SECTION ASSY, SPOOL",1,1,,,,,,,,,,,,,
14,3,,172168-72750,, "SPRING,CHECK VALVE",1,1,,,,,,,,,,,,,
15,3,,172122-74050,, SPRING,1,1,,,,,,,,,,,,,
16,3,,172151-74060,, "BOLT, SOCKET HEAD",2,2,,,,,,,,,,,,,
17,3,,172122-74130,, POPPET,1,1,,,,,,,,,,,,,
18,3,,172116-74190,, "PLATE, SEAL",2,2,,,,,,,,,,,,,
19,3,,172116-74220,, SCREW,2,2,,,,,,,,,,,,,
20,3,,933166-80520,, WIPER,2,2,,,,,,,,,,,,,
21,3,,933166-80530,, CAP,1,1,,,,,,,,,,,,,
22,3,,933166-80550,, "SCREW, CAP",1,1,,,,,,,,,,,,,
23,3,,933171-80510,, "SEAT, SPRING",2,2,,,,,,,,,,,,,
24,3,,933171-80590,, O-RING,1,1,,,,,,,,,,,,,
25,3,,933171-80610,, O-RING,2,2,,,,,,,,,,,,,

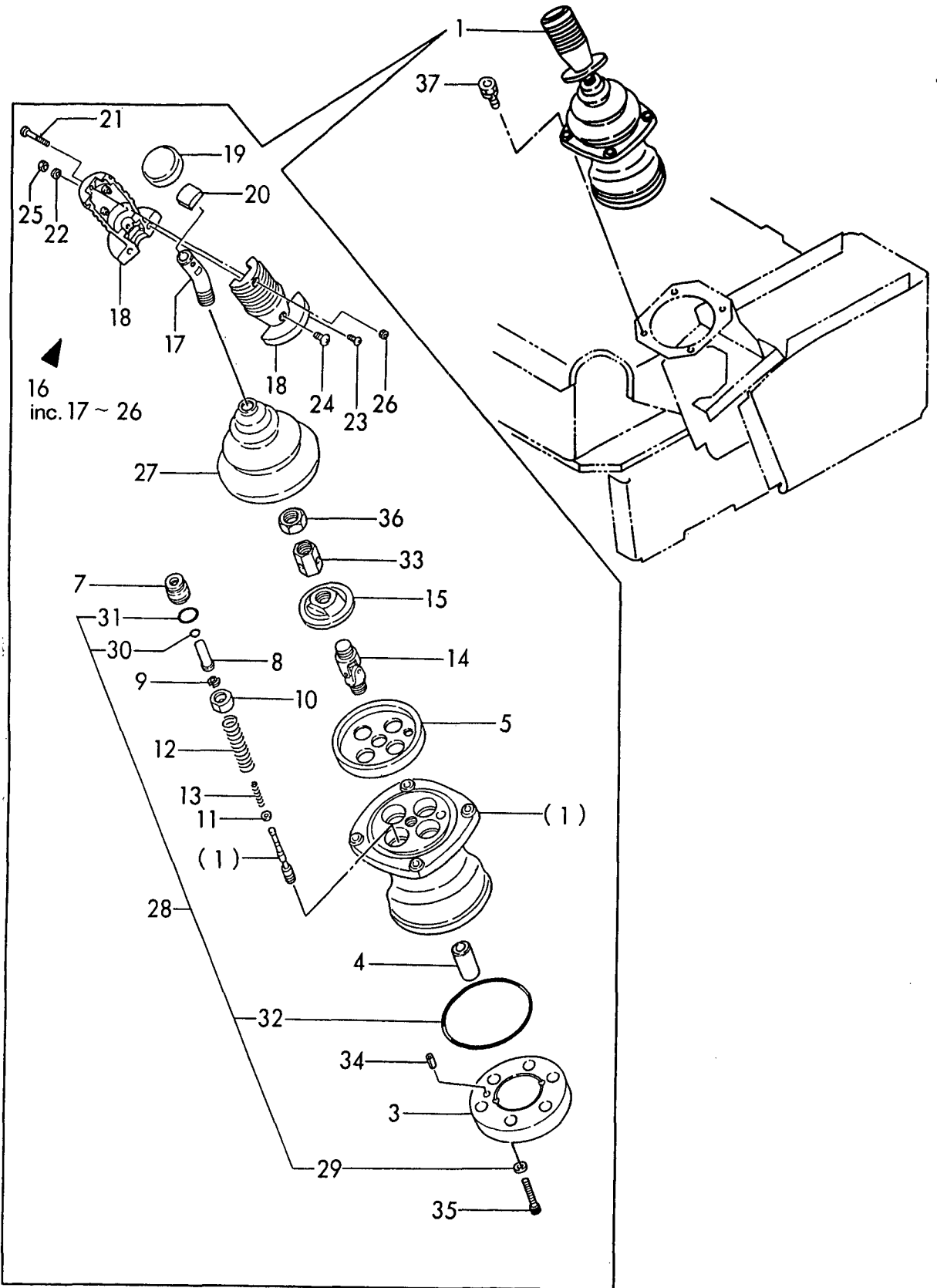
Fig.40 CONTROL V. (TURNING & BLADE)



CONTROL VALVE ASSY
 172168-74121
 Fig. 36 Ref. No. 1
 INC. Fig. 36 Ref. No. 2~34
 Fig. 37 Ref. No. 1~40
 Fig. 38 Ref. No. 1~36
 Fig. 39 Ref. No. 1~34
 Fig. 40 Ref. No. 1~25

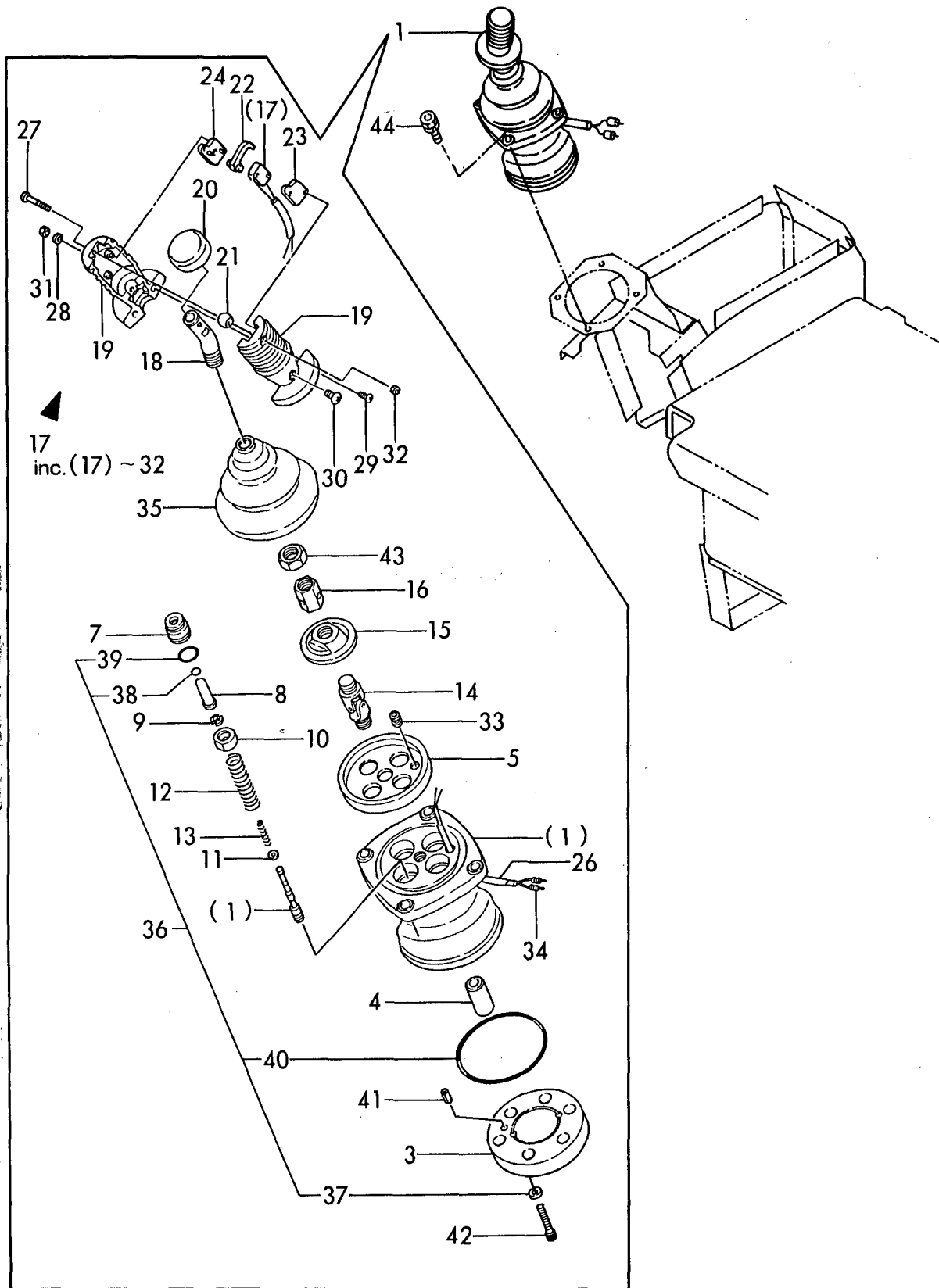
1,1,,172165-74300,, "JOY-STICK L.H.",1,1,,,,,,,,,,,,,
3,2,,172151-73350,, "PLATE, PORT",1,1,,,,,,,,,,,,,
4,2,,172151-73370,, BUSH,1,1,,,,,,,,,,,,,
5,2,,172151-73380,, PLATE,1,1,,,,,,,,,,,,,
7,2,,172151-73400,, PLUG,4,4,,,,,,,,,,,,,
8,2,,172165-74320,, ROD,4,4,,,,,,,,,,,,,
9,2,,172151-73430,, WASHER,8,8,,,,,,,,,,,,,
10,2,,172151-73440,, RETAINER,4,4,,,,,,,,,,,,,
11,2,,172151-73450,, WASHER,4,4,,,,,,,,,,,,,
12,2,,172151-73460,, SPRING,4,4,,,,,,,,,,,,,
13,2,,172165-74330,, SPRING,4,4,,,,,,,,,,,,,
14,2,,172151-73480,, JOINT,1,1,,,,,,,,,,,,,
15,2,,172151-73490,, PLATE,1,1,,,,,,,,,,,,,
16,2,,172165-74340,, "HANDLE, SUB",1,1,,,,,,,,,,,,,
17,3,,172151-73510,, "BAR, HANDLE",1,1,,,,,,,,,,,,,
18,3,,172151-73520,, HANDLE,2,2,,,,,,,,,,,,,
19,3,,172151-73530,, "HANDLE, CAP",1,1,,,,,,,,,,,,,
20,3,,172151-73640,, CAP,1,1,,,,,,,,,,,,,
21,3,,172151-73660,, "SCREW 4X30",1,1,,,,,,,,,,,,,
22,3,,22137-040000,, "WASHER 4, POLISHED",2,2,,,,,,,,,,,,,
23,3,,26553-040102,, "SCREW 4X10",2,2,,,,,,,,,,,,,
24,3,,26553-050082,, "SCREW 5X8",2,2,,,,,,,,,,,,,
25,3,,26716-040002,, "NUT M 4",2,2,,,,,,,,,,,,,
26,3,,26716-040002,, "NUT M 4",1,1,,,,,,,,,,,,,
27,2,,172151-73620,, BELLOWS,1,1,,,,,,,,,,,,,
28,2,,172151-73630,, "SEAL KIT, SUB",1,1,,,,,,,,,,,,,
29,3,,172151-73360,, "SEAL WASHER",2,2,,,,,,,,,,,,,
30,3,,172151-73420,, SEAL,4,4,,,,,,,,,,,,,
31,3,,24315-000200,, "O-RING 1B P-20.0",4,4,,,,,,,,,,,,,
32,3,,24341-000900,, "O-RING 1A S-90.0",1,1,,,,,,,,,,,,,
33,2,,172151-73650,, "NUT, ADJUST",1,1,,,,,,,,,,,,,
34,2,,22351-050010,, "SPRING PIN 5X10",1,1,,,,,,,,,,,,,
35,2,,26450-080302,, "BOLT M 8X 30",2,2,,,,,,,,,,,,,
36,2,,26756-140002,, "LOCK NUT M14 PLATED",1,1,,,,,,,,,,,,,
37,1,,26013-060252,, "BOLT M 6X 25",4,4,,,,,,,,,,,,,

Fig.41 REMOTE CONTROL VALVE(L)



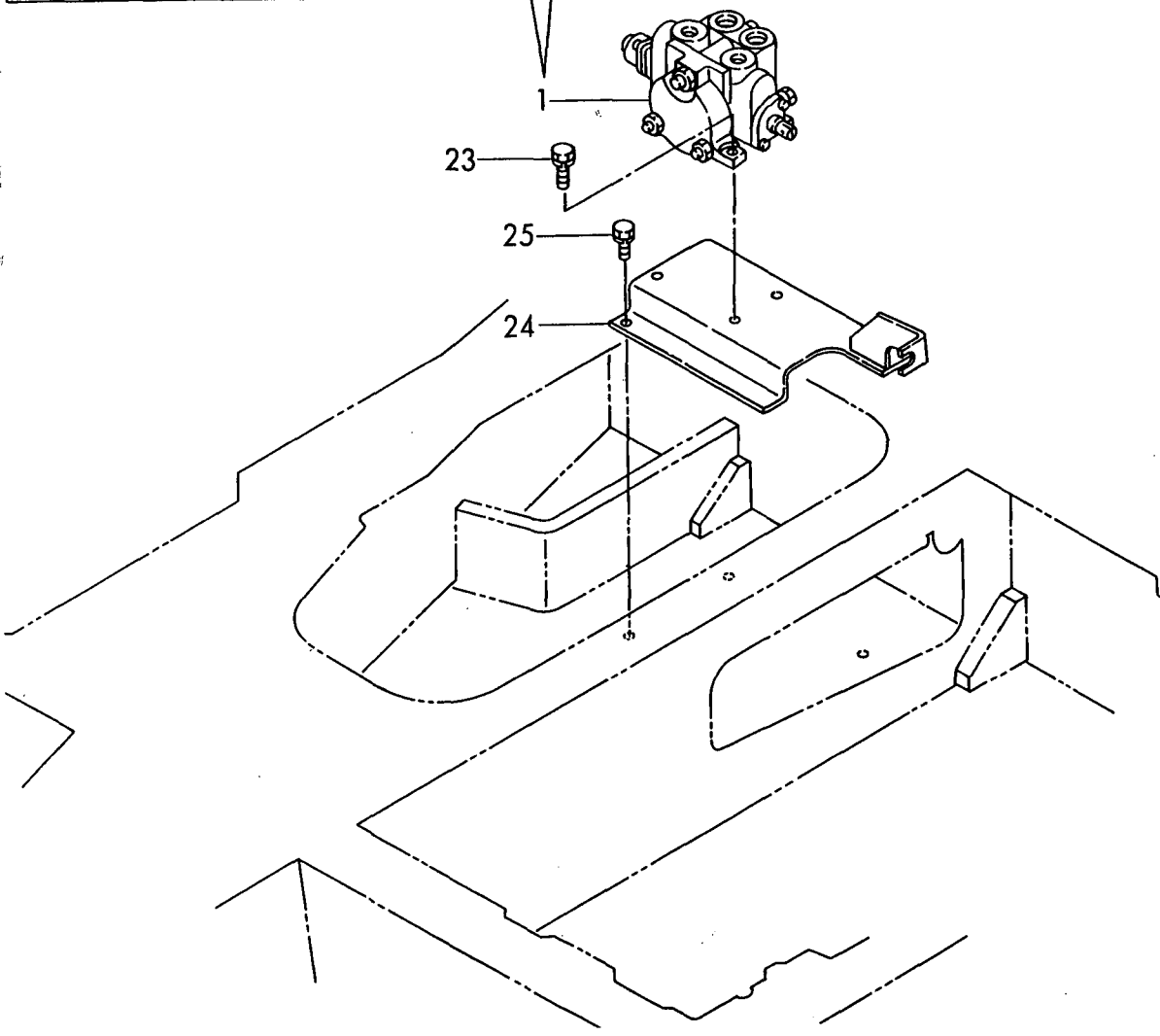
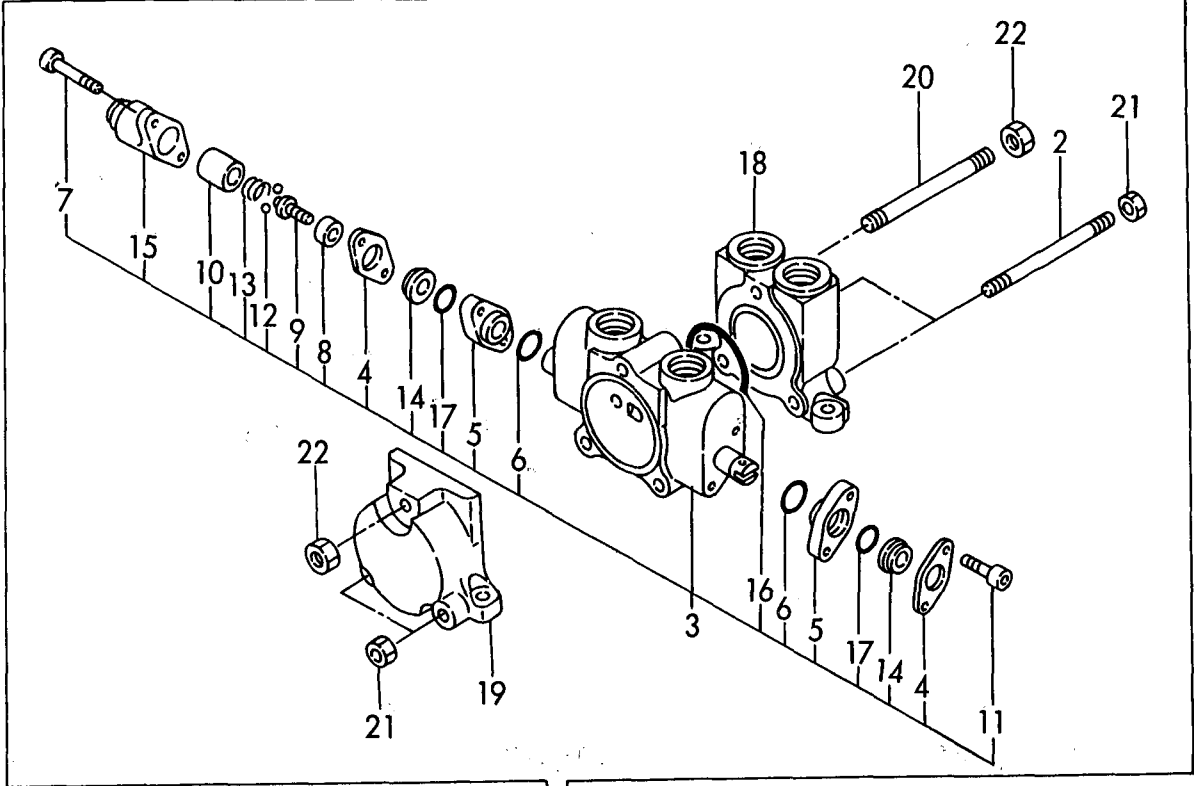
1,1,,172165-74310,, "JOY-STICK R.H.",1,1,,,,,,,,,,,,,
3,2,,172151-73350,, "PLATE, PORT",1,1,,,,,,,,,,,,,
4,2,,172151-73370,, BUSH,1,1,,,,,,,,,,,,,
5,2,,172151-73380,, PLATE,1,1,,,,,,,,,,,,,
7,2,,172151-73400,, PLUG,4,4,,,,,,,,,,,,,
8,2,,172165-74320,, ROD,4,4,,,,,,,,,,,,,
9,2,,172151-73430,, WASHER,8,8,,,,,,,,,,,,,
10,2,,172151-73440,, RETAINER,4,4,,,,,,,,,,,,,
11,2,,172151-73450,, WASHER,4,4,,,,,,,,,,,,,
12,2,,172151-73460,, SPRING,4,4,,,,,,,,,,,,,
13,2,,172165-74330,, SPRING,4,4,,,,,,,,,,,,,
14,2,,172151-73480,, JOINT,1,1,,,,,,,,,,,,,
15,2,,172151-73490,, PLATE,1,1,,,,,,,,,,,,,
16,2,,172151-73500,, "NUT, ADJUST",1,1,,,,,,,,,,,,,
17,2,,172165-74350,, "HANDLE, SUB",1,1,,,,,,,,,,,,,
18,3,,172151-73510,, "BAR, HANDLE",1,1,,,,,,,,,,,,,
19,3,,172151-73520,, HANDLE,2,2,,,,,,,,,,,,,
20,3,,172151-73530,, "HANDLE, CAP",1,1,,,,,,,,,,,,,
21,3,,172151-73540,, ROLLER,1,1,,,,,,,,,,,,,
22,3,,172151-73550,, "LEVER, SWITCH",1,1,,,,,,,,,,,,,
23,3,,172151-73560,, "SEAT, SWITCH",1,1,,,,,,,,,,,,,
24,3,,172151-73570,, "SEAT(2), SWITCH",1,1,,,,,,,,,,,,,
26,3,,172151-73600,, TUBE,1,1,,,,,,,,,,,,,
27,3,,172151-73660,, "SCREW 4X30",1,1,,,,,,,,,,,,,
28,3,,22137-040000,, "WASHER 4, POLISHED",2,2,,,,,,,,,,,,,
29,3,,26553-040102,, "SCREW 4X10",2,2,,,,,,,,,,,,,
30,3,,26553-050082,, "SCREW 5X8",2,2,,,,,,,,,,,,,
31,3,,26716-040002,, "NUT M 4",2,2,,,,,,,,,,,,,
32,3,,26716-040002,, "NUT M 4",1,1,,,,,,,,,,,,,
33,2,,172151-73590,, BUSH,1,1,,,,,,,,,,,,,
34,2,,172151-73610,, TERMINAL,2,2,,,,,,,,,,,,,
35,2,,172151-73620,, BELLOWS,1,1,,,,,,,,,,,,,
36,2,,172151-73630,, "SEAL KIT, SUB",1,1,,,,,,,,,,,,,
37,3,,172151-73360,, "SEAL WASHER",2,2,,,,,,,,,,,,,
38,3,,172151-73420,, SEAL,4,4,,,,,,,,,,,,,
39,3,,24315-000200,, "O-RING 1B P-20.0",4,4,,,,,,,,,,,,,
40,3,,24341-000900,, "O-RING 1A S-90.0",1,1,,,,,,,,,,,,,
41,2,,22351-050010,, "SPRING PIN 5X10",1,1,,,,,,,,,,,,,
42,2,,26450-080302,, "BOLT M 8X 30",2,2,,,,,,,,,,,,,
43,2,,26756-140002,, "LOCK NUT M14 PLATED",1,1,,,,,,,,,,,,,
44,1,,26013-060252,, "BOLT M 6X 25",4,4,,,,,,,,,,,,,

Fig.42 REMOTE CONTROL VLAVE(R)



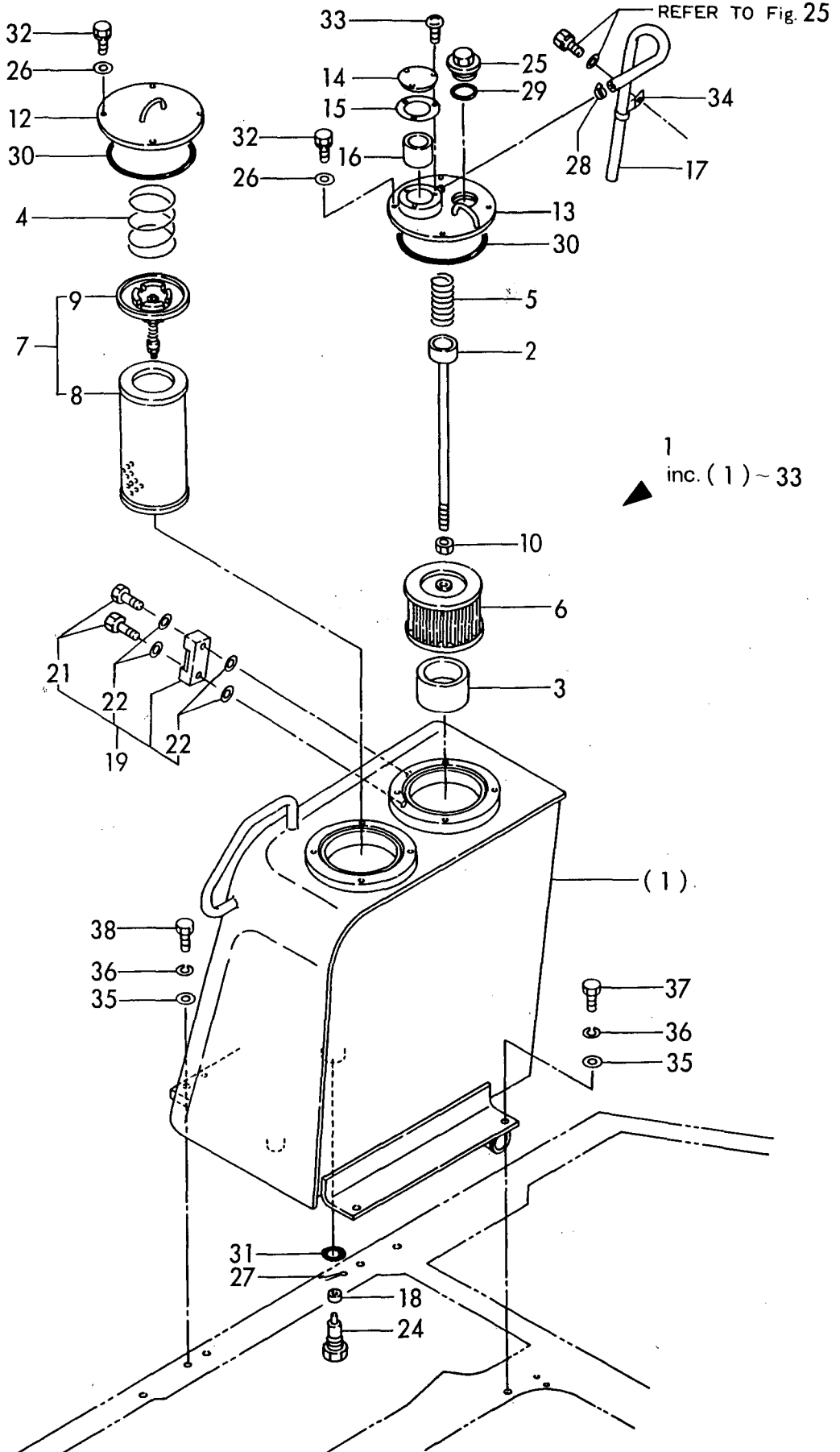
1,1,,172168-74710,, "VALVE ASSY,PTO",1,1,,,,,,,,,,,,,
2,2,,172614-74410,, TIE-ROD,2,2,,,,,,,,,,,,,
3,2,,172168-74800,, "SECTION SET, SPOOL",1,1,,,,,,,,,,,,,
4,3,,172116-74190,, "PLATE, SEAL",2,2,,,,,,,,,,,,,
5,3,,172312-74220,, SPACER,2,2,,,,,,,,,,,,,
6,3,,172312-74230,, O-RING,2,2,,,,,,,,,,,,,
7,3,,172151-74290,, "BOLT, SOCKET HEAD",2,2,,,,,,,,,,,,,
8,3,,172168-74830,, SPACER,1,1,,,,,,,,,,,,,
9,3,,172168-74840,, PIN,1,1,,,,,,,,,,,,,
10,3,,172168-74850,, SLEEVE,1,1,,,,,,,,,,,,,
11,3,,172168-74860,, "BOLT, SOCKET HEAD",2,2,,,,,,,,,,,,,
12,3,,172168-74870,, "BALL,STAINLESS STEEL",2,2,,,,,,,,,,,,,
13,3,,172168-74880,, SPRING,1,1,,,,,,,,,,,,,
14,3,,933166-80520,, WIPER,2,2,,,,,,,,,,,,,
15,3,,933166-80530,, CAP,1,1,,,,,,,,,,,,,
16,3,,933171-80590,, O-RING,1,1,,,,,,,,,,,,,
17,3,,933171-80610,, O-RING,2,2,,,,,,,,,,,,,
18,2,,172168-74810,, "SECTION ASSY., INLET",1,1,,,,,,,,,,,,,
19,2,,933171-80420,, "SECTION, OUTLET",1,1,,,,,,,,,,,,,
20,2,,172168-74820,, "ROD, TIE",1,1,,,,,,,,,,,,,
21,2,,26716-080002,, "NUT M 8",4,4,,,,,,,,,,,,,
22,2,,26716-100002,, "NUT M10",2,2,,,,,,,,,,,,,
23,1,,26013-100302,, "BOLT M10X 30",3,3,,,,,,,,,,,,,
24,1,,172174-74750,, "BRACKET ASSY",1,1,,,,,,,,,,,,,
25,1,,26013-100162,, "BOLT M10X 16",3,3,,,,,,,,,,,,,

Fig. 43 P. T. O. VALVE



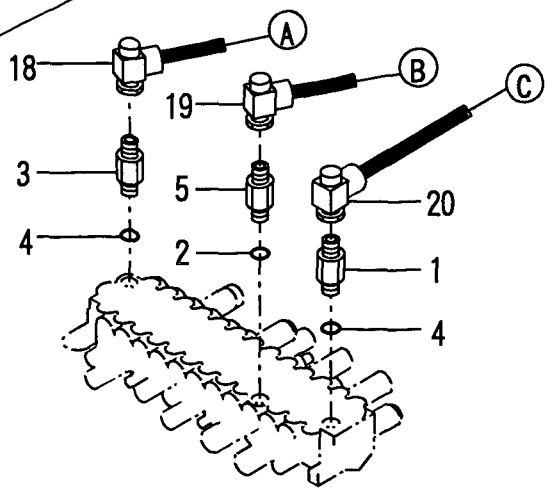
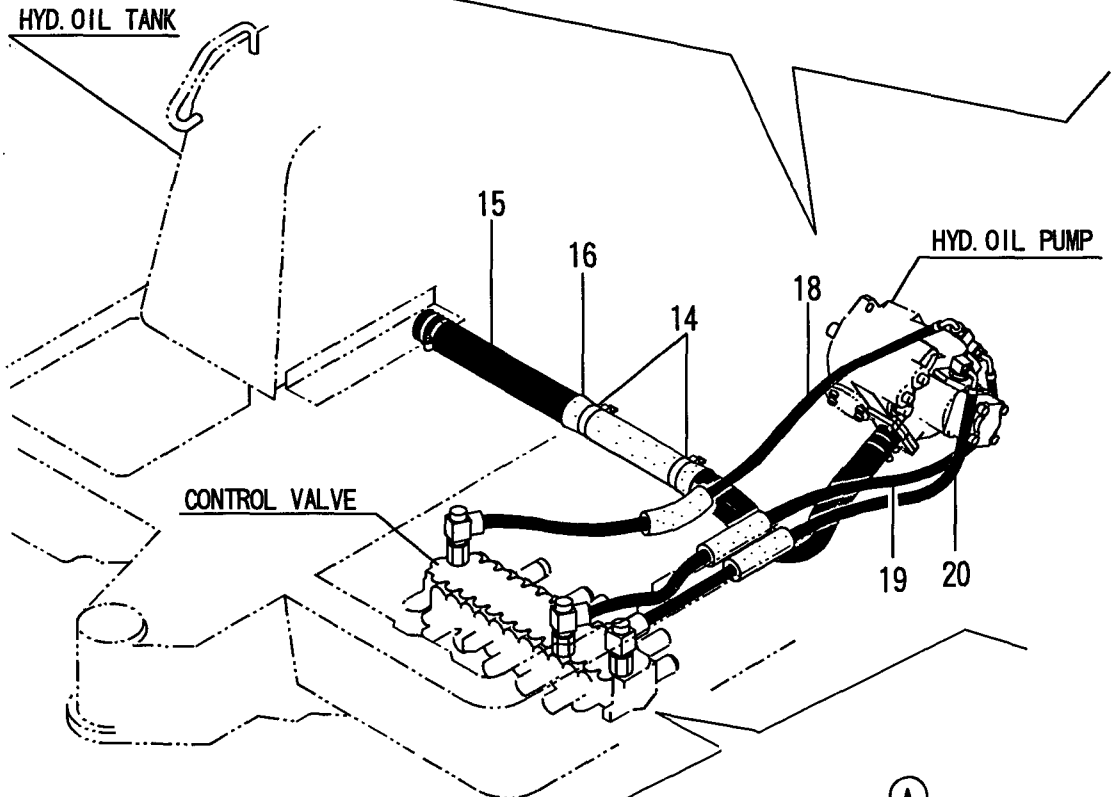
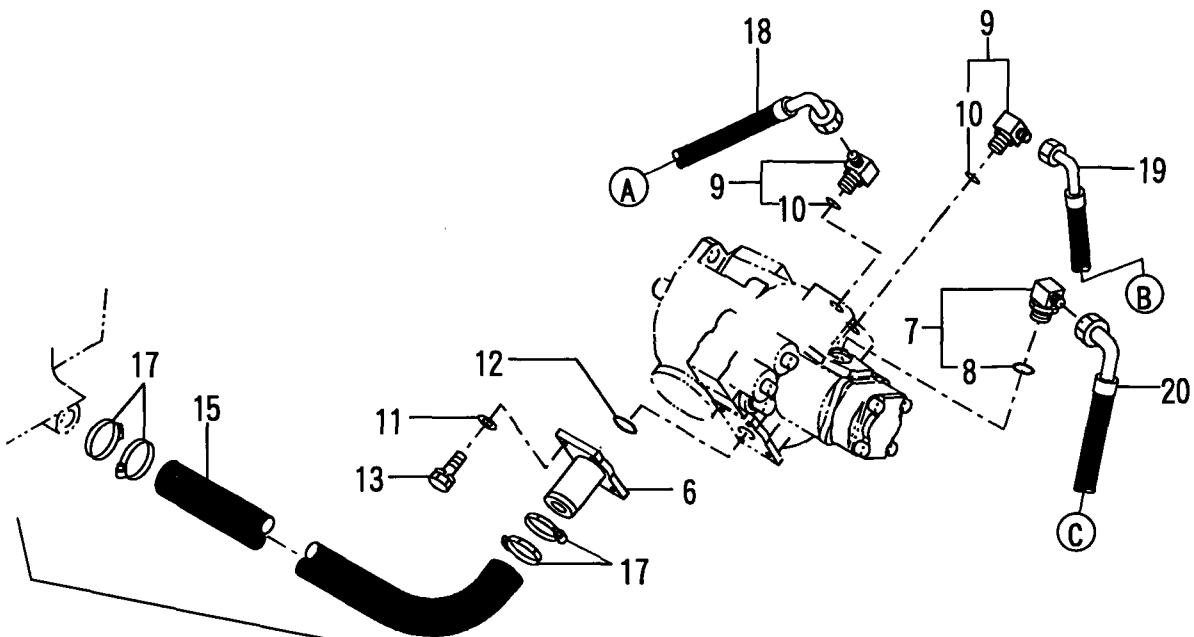
1,1,,772184-75100,, "RESERVOIR ASSY",1,1,,,,,,,,,,,,,
2,2,,172174-73700,, "ROD ASSY,FTR.SUPPORT",1,1,,,,,,,,,,,,,
3,2,,172184-73750,, COLLAR,1,1,,,,,,,,,,,,,
4,2,,172184-73760,, "SPRING 80",1,1,,,,,,,,,,,,,
5,2,,172159-73780,, "SPRING, SIDE CLUTCH",1,1,,,,,,,,,,,,,
6,2,,172112-74801,, "STRAINER, SUCTION",1,1,,,,,,,,,,,,,
7,2,,172112-74901,, "ELEMENT W/VALVE",1,1,,,,,,,,,,,,,
8,3,,172112-74911,, ELEMENT,1,1,,,,,,,,,,,,,
9,3,,172112-74971,, "VALVE, BY-PASS",1,1,,,,,,,,,,,,,
10,2,,26716-100002,, "NUT M10",1,1,,,,,,,,,,,,,
12,2,,172184-75330,, "PLATE (B)",1,1,,,,,,,,,,,,,
13,2,,172184-75400,, COVER,1,1,,,,,,,,,,,,,
14,2,,172174-75450,, PLATE,1,1,,,,,,,,,,,,,
15,2,,172165-75460,, GASKET,1,1,,,,,,,,,,,,,
16,2,,172165-75481,, ELEMENT,1,1,,,,,,,,,,,,,
17,2,,172174-75490,, HOSE,1,1,,,,,,,,,,,,,
18,2,,172159-75550,, MAGNET,1,1,,,,,,,,,,,,,
19,2,,172122-75600,, "GAUGE, OIL LEVEL",1,1,,,,,,,,,,,,,
21,3,,172122-75620,, BOLT,2,2,,,,,,,,,,,,,
22,3,,172122-75630,, GASKET,4,4,,,,,,,,,,,,,
24,2,,172184-75750,, "PLUG 24",1,1,,,,,,,,,,,,,
25,2,,172159-75850,, "PLUG, OIL FEED",1,1,,,,,,,,,,,,,
26,2,,22137-100000,, "WASHER 10,POLISHED",8,8,,,,,,,,,,,,,
27,2,,22417-200160,, "COTTER PIN 2.0X16",1,1,,,,,,,,,,,,,
28,2,,23080-010000,, "CLAMP 10",1,1,,,,,,,,,,,,,
29,2,,24311-000380,, "O-RING 1A P-38.0",1,1,,,,,,,,,,,,,
30,2,,24321-001350,, "O-RING 1A G-135.0",2,2,,,,,,,,,,,,,
31,2,,24341-000300,, "O-RING 1A S-30.0",1,1,,,,,,,,,,,,,
32,2,,26013-100202,, "BOLT W/WASHER M10X20",8,8,,,,,,,,,,,,,
33,2,,26022-050102,, "SCREW M 5X 10",3,3,,,,,,,,,,,,,
34,1,,172174-16540,, "CLAMP 10X70",1,1,,,,,,,,,,,,,
35,1,,22137-140000,, "WASHER 14,POLISHED",4,4,,,,,,,,,,,,,
36,1,,22217-140000,, "SPRING WASHER 14",4,4,,,,,,,,,,,,,
37,1,,26116-140302,, "BOLT M14X 30 PLATED",2,2,,,,,,,,,,,,,
38,1,,26116-140452,, "BOLT M14X 45 PLATED",2,2,,,,,,,,,,,,,

Fig. 44 HYD. OIL TANK



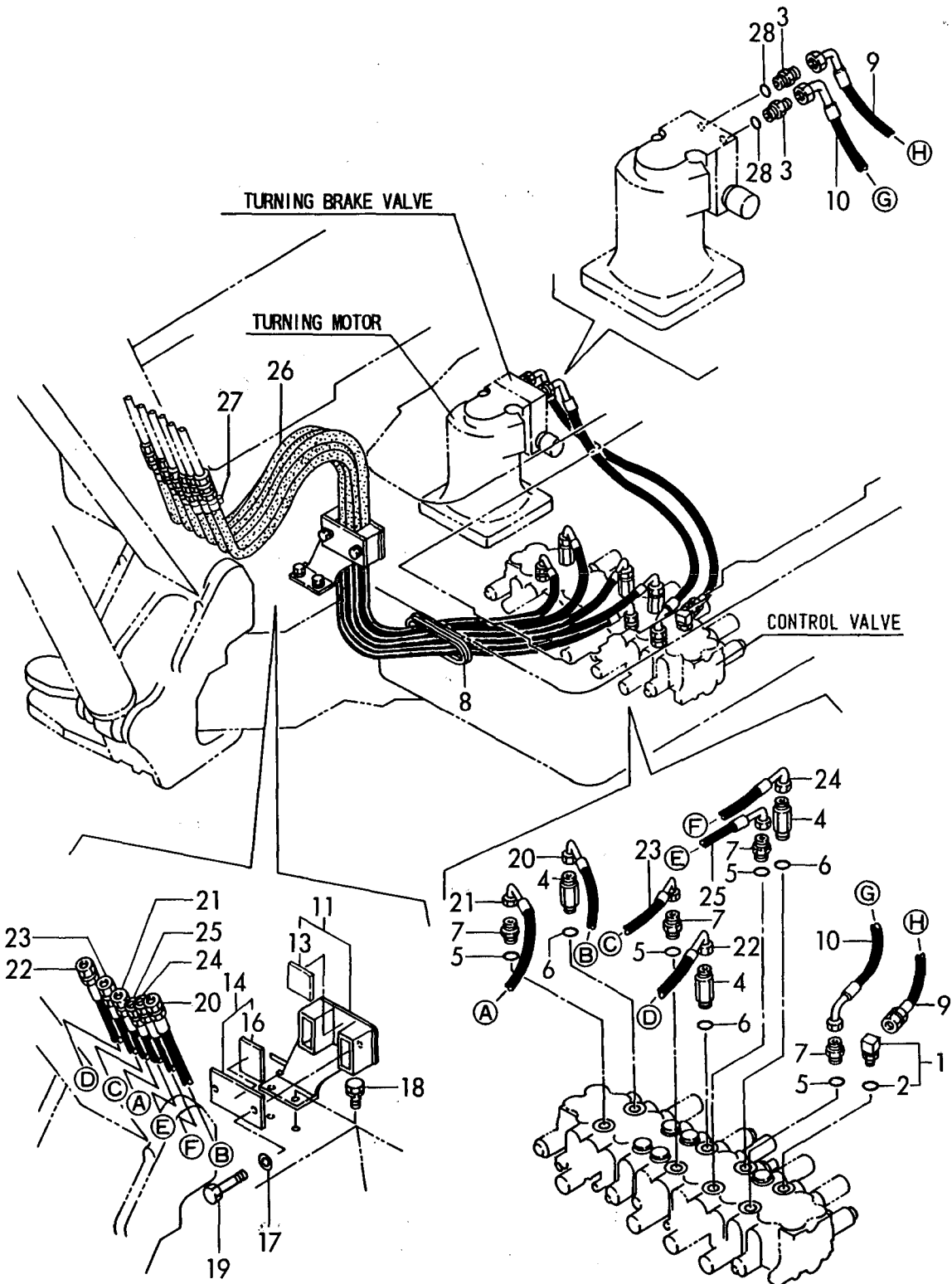
1,1,,172174-76140,, "JOINT 7/8UN-1/4",1,1,,,,,,,,,,,,,,,,,,,,,
2,1,,172159-45160,, "CLAMP 350",2,2,,,,,,,,,,,,,,,,,,,,,
3,1,,172161-76200,, "O-RING B",1,1,,,,,,,,,,,,,,,,,,,,,
4,1,,172174-76260,, "CONNECTOR UN7/8PF1/2",1,1,,,,,,,,,,,,,,,,,,,,,
5,1,,172159-76350,, "O-RING (A)",2,2,,,,,,,,,,,,,,,,,,,,,
6,1,,172174-76390,, "CONNECTOR PF1/2",1,1,,,,,,,,,,,,,,,,,,,,,
7,1,,172184-76860,, "FLANGE 45",1,1,,,,,,,,,,,,,,,,,,,,,
8,1,,172161-76900,, "CONNECTOR 1/2 COMPL.",2,2,,,,,,,,,,,,,,,,,,,,,
9,2,,24315-000180,, "O-RING 1B P-18.0",2,2,,,,,,,,,,,,,,,,,,,,,
10,1,,172161-76900,, "CONNECTOR 1/2 COMPL.",1,1,,,,,,,,,,,,,,,,,,,,,
11,2,,24315-000180,, "O-RING 1B P-18.0",1,1,,,,,,,,,,,,,,,,,,,,,
12,1,,22117-120000,, "WASHER 12",4,4,,,,,,,,,,,,,,,,,,,,,
13,1,,24321-000450,, "O-RING 1A G-45.0",1,1,,,,,,,,,,,,,,,,,,,,,
14,1,,26013-120302,, "BOLT W/WASHER M12X30",4,4,,,,,,,,,,,,,,,,,,,,,
15,1,,172168-78101,, HOSE,1,1,,,,,,,,,,,,,,,,,,,,,
16,1,,172184-78220,, "COVER, HOSE",1,1,,,,,,,,,,,,,,,,,,,,,
17,1,,172170-78150,, HOSE,1,1,,,,,,,,,,,,,,,,,,,,,
18,1,,172170-78160,, HOSE,1,1,,,,,,,,,,,,,,,,,,,,,
19,1,,172170-78170,, HOSE,1,1,,,,,,,,,,,,,,,,,,,,,
20,1,,23000-060000,, "CLAMP 60",4,4,,,,,,,,,,,,,,,,,,,,,

Fig.45 HYD. OIL PIPING(TANK-PUMP-VALVE)



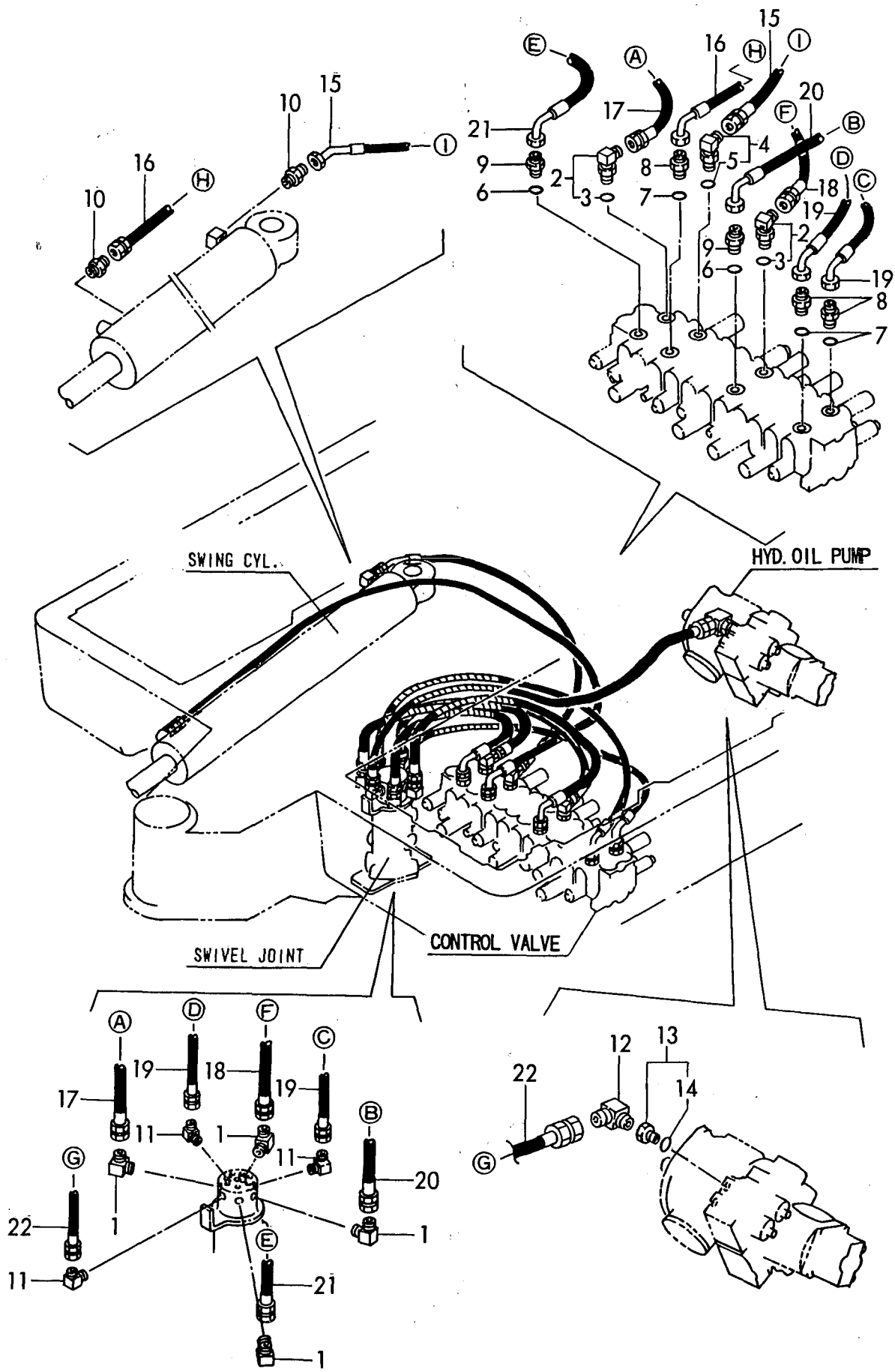
1,1,,172174-76150,, "CONNECTOR UN3/4PF3/8",1,1,,,,,,,,,,,,,,,,,,,,,
2,2,,172161-76200,, "O-RING B",1,1,,,,,,,,,,,,,,,,,,,,,
3,1,,172159-76160,, ADAPTOR,2,2,,,,,,,,,,,,,,,,,,,,,
4,1,,172174-76190,, "JOINT 3/4UN-3/8",3,3,,,,,,,,,,,,,,,,,,,,,
5,1,,172161-76200,, "O-RING B",4,4,,,,,,,,,,,,,,,,,,,,,
6,1,,172161-76200,, "O-RING B",3,3,,,,,,,,,,,,,,,,,,,,,
7,1,,172161-76240,, "CONNECTOR 3/8",4,4,,,,,,,,,,,,,,,,,,,,,
8,1,,172165-78150,, GROMMET,1,1,,,,,,,,,,,,,,,,,,,,,
9,1,,172174-78600,, "HOSE P206BC080S",1,1,,,,,,,,,,,,,,,,,,,,,
10,1,,172174-78620,, "HOSE P208CC080S",1,1,,,,,,,,,,,,,,,,,,,,,
11,1,,172174-78700,, SUPPORT,1,1,,,,,,,,,,,,,,,,,,,,,
13,2,,172174-78760,, "RUBBER, HOSE SUPPORT",1,1,,,,,,,,,,,,,,,,,,,,,
14,1,,172174-78740,, "COVER ASSY",1,1,,,,,,,,,,,,,,,,,,,,,
16,2,,172174-78760,, "RUBBER, HOSE SUPPORT",1,1,,,,,,,,,,,,,,,,,,,,,
17,1,,22217-100000,, "SPRING WASHER 10",2,2,,,,,,,,,,,,,,,,,,,,,
18,1,,26013-100202,, "BOLT W/WASHER M10X20",2,2,,,,,,,,,,,,,,,,,,,,,
19,1,,26116-100652,, "BOLT M10X 65 PLATED",2,2,,,,,,,,,,,,,,,,,,,,,
20,1,,172168-78500,, HOSE,1,1,,,,,,,,,,,,,,,,,,,,,
21,1,,172168-78510,, "HOSE G206BC145",1,1,,,,,,,,,,,,,,,,,,,,,
22,1,,172168-78520,, "HOSE G206BC153",1,1,,,,,,,,,,,,,,,,,,,,,
23,1,,172168-78530,, "HOSE G206BC145",1,1,,,,,,,,,,,,,,,,,,,,,
24,1,,172168-78540,, "HOSE G206BC145",1,1,,,,,,,,,,,,,,,,,,,,,
25,1,,172168-78550,, "HOSE G206BC135",1,1,,,,,,,,,,,,,,,,,,,,,
26,1,,172161-79760,, COVER,6,6,,,,,,,,,,,,,,,,,,,,,
27,1,,23000-025000,, "CLAMP 25",12,12,,,,,,,,,,,,,,,,,,,,,
28,1,,24315-000140,, "O-RING 1B P-14.0",2,2,,,,,,,,,,,,,,,,,,,,,

Fig. 46 HYD. OIL PIPING (VALVE-MOTOR, BOOM)



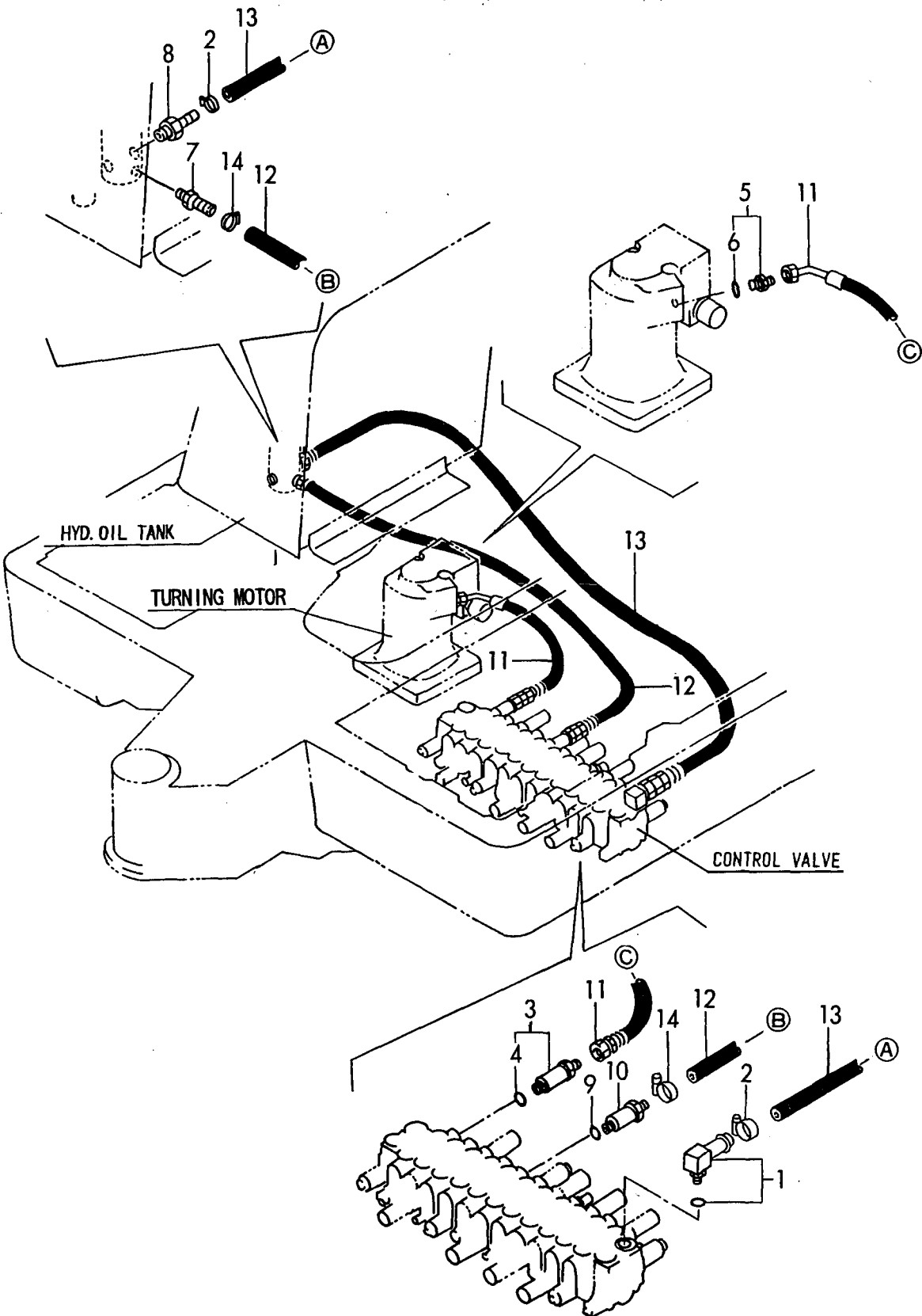
1,1,,23393-030000,, "JOINT 90RGI 3/8",4,4,,,,,,,,,,,,,
2,1,,172174-76150,, "CONNECTOR UN3/4PF3/8",2,2,,,,,,,,,,,,,
3,2,,172161-76200,, "O-RING B",2,2,,,,,,,,,,,,,
4,1,,172174-76160,, "CONNECTOR UN3/4PF1-4",1,1,,,,,,,,,,,,,
5,2,,172161-76200,, "O-RING B",1,1,,,,,,,,,,,,,
6,1,,172161-76200,, "O-RING B",2,2,,,,,,,,,,,,,
7,1,,172161-76200,, "O-RING B",3,3,,,,,,,,,,,,,
8,1,,172161-76230,, "CONNECTOR 3/4-1/4",3,3,,,,,,,,,,,,,
9,1,,172161-76240,, "CONNECTOR 3/8",2,2,,,,,,,,,,,,,
10,1,,23391-020000,, "JOINT RGI1/4",2,2,,,,,,,,,,,,,
11,1,,23393-020000,, "JOINT 90RGI1/4",3,3,,,,,,,,,,,,,
12,1,,23393-020000,, "JOINT 90RGI1/4",1,1,,,,,,,,,,,,,
13,1,,172184-76080,, "CONNECTOR 1/4",1,1,,,,,,,,,,,,,
14,2,,24315-000110,, "O-RING 1B P-11.0",1,1,,,,,,,,,,,,,
15,1,,172184-78180,, HOSE,1,1,,,,,,,,,,,,,
16,1,,172174-78290,, "HOSE P204BC195S",1,1,,,,,,,,,,,,,
17,1,,172174-78430,, HOSE,1,1,,,,,,,,,,,,,
18,1,,172174-78470,, HOSE,1,1,,,,,,,,,,,,,
19,1,,172174-78570,, HOSE,2,2,,,,,,,,,,,,,
20,1,,172174-78650,, "HOSE P206BC089S",1,1,,,,,,,,,,,,,
21,1,,172174-78900,, "HOSE P206BC070S",1,1,,,,,,,,,,,,,
22,1,,172184-78281,, HOSE,1,1,,,,,,,,,,,,,

Fig.47 HYD. OIL PIPING(VALVE-SWIVEL, SWING)



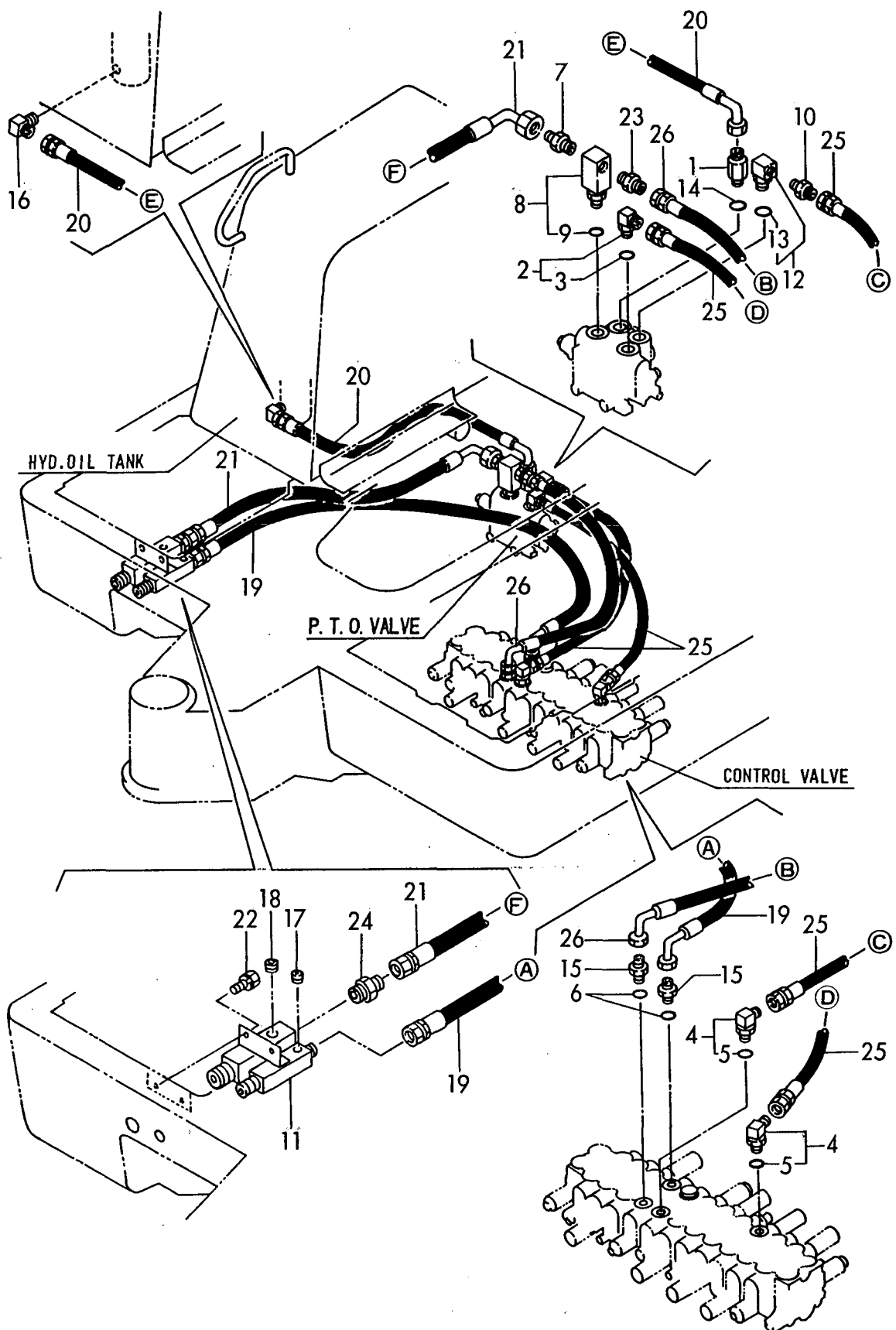
1,1,,172184-76110,,CONNECTOR,1,1,,,,,,,,,,,,,
2,1,,23000-035000,, "CLAMP 35",2,2,,,,,,,,,,,,,
3,1,,172184-76150,,CONNECTOR,1,1,,,,,,,,,,,,,
4,2,,172159-76350,, "O-RING (A)",1,1,,,,,,,,,,,,,
5,1,,172174-76200,, "CONNECTOR PF1/2-3/8",1,1,,,,,,,,,,,,,
6,2,,24315-000140,, "O-RING 1B P-14.0",1,1,,,,,,,,,,,,,
7,1,,172174-76220,, "CONNECTOR 12,ROUND",1,1,,,,,,,,,,,,,
8,1,,172174-76250,,NIPPLE,1,1,,,,,,,,,,,,,
9,1,,172159-76350,, "O-RING (A)",1,1,,,,,,,,,,,,,
10,1,,172184-76350,,CONNECTOR,1,1,,,,,,,,,,,,,
11,1,,172184-78470,,HOSE,1,1,,,,,,,,,,,,,
12,1,,172184-78360,,HOSE,1,1,,,,,,,,,,,,,
13,1,,172184-78430,,HOSE,1,1,,,,,,,,,,,,,
14,1,,23000-022000,, "CLAMP 22",2,2,,,,,,,,,,,,,

Fig. 48 HYD. OIL PIPING (RETURN)



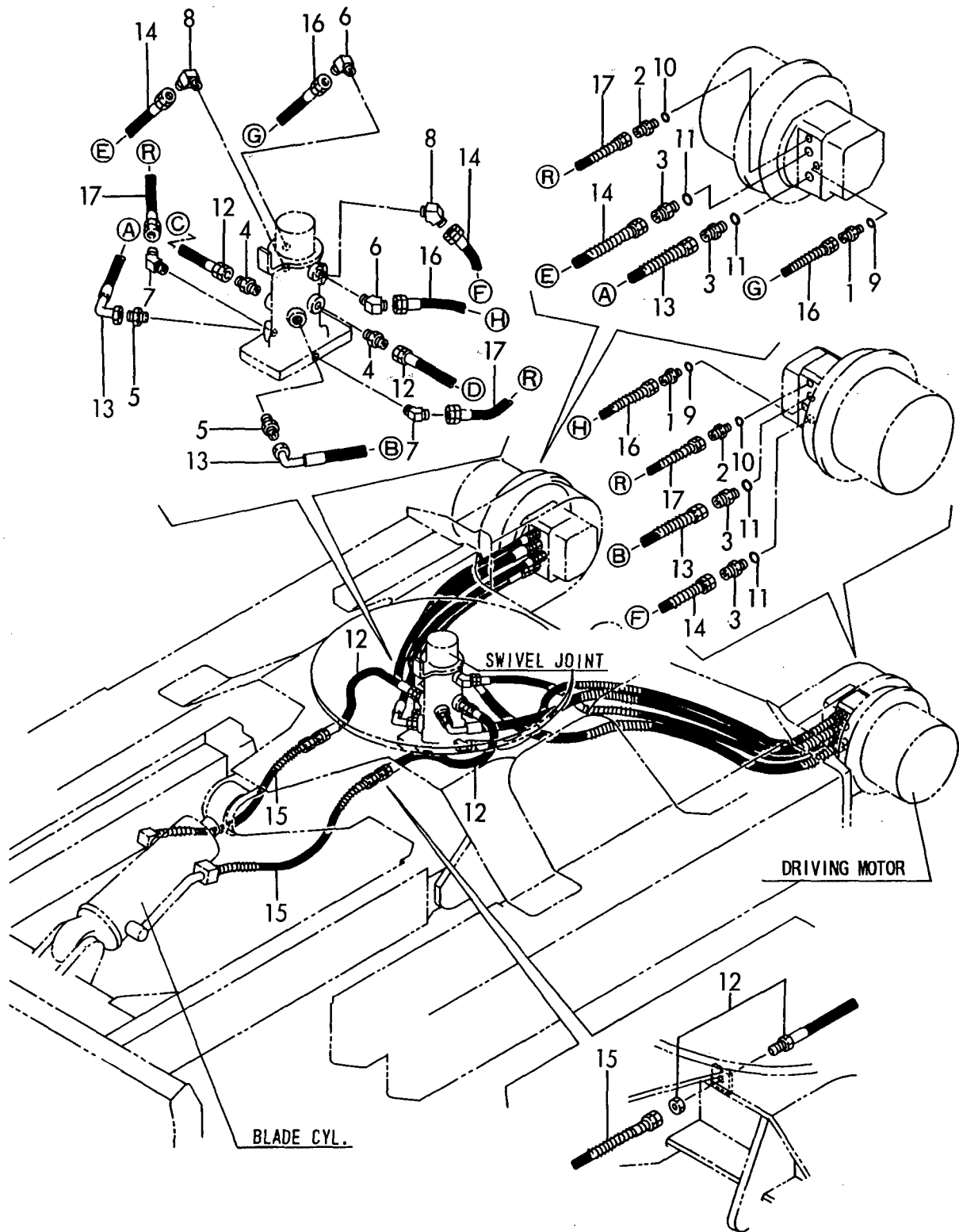
1,1,,172174-76140,, "JOINT 7/8UN-1/4",1,1,,,,,,,,,,,,,
2,1,,172174-76150,, "CONNECTOR UN3/4PF3/8",1,1,,,,,,,,,,,,,
3,2,,172161-76200,, "O-RING B",1,1,,,,,,,,,,,,,
4,1,,172174-76150,, "CONNECTOR UN3/4PF3/8",2,2,,,,,,,,,,,,,
5,2,,172161-76200,, "O-RING B",2,2,,,,,,,,,,,,,
6,1,,172161-76200,, "O-RING B",2,2,,,,,,,,,,,,,
7,1,,172174-76210,, "CONNECTOR 3/4-1/2",1,1,,,,,,,,,,,,,
8,1,,172174-76230,, "CONNECTOR UN3/4PT1/2",1,1,,,,,,,,,,,,,
9,2,,172161-76200,, "O-RING B",1,1,,,,,,,,,,,,,
10,1,,172174-76240,, "NIPPLE 1/2X3/8",1,1,,,,,,,,,,,,,
11,1,,172174-76290,, "JOINT, 3RD",1,1,,,,,,,,,,,,,
12,1,,172174-76300,, "CONNECTOR 1/2",1,1,,,,,,,,,,,,,
13,2,,172159-76350,, "O-RING (A)",1,1,,,,,,,,,,,,,
14,1,,172159-76350,, "O-RING (A)",1,1,,,,,,,,,,,,,
15,1,,172174-76380,, "CONNECTOR PF1/2-10",2,2,,,,,,,,,,,,,
16,1,,23393-040000,, "JOINT 90RGI 1/4",1,1,,,,,,,,,,,,,
17,1,,23871-030000,, "PLUG PT3/8,SCREW",1,1,,,,,,,,,,,,,
18,1,,23871-040000,, "PLUG PT1/2,SCREW",1,1,,,,,,,,,,,,,
19,1,,172174-78170,, "HOSE G208BC127",1,1,,,,,,,,,,,,,
20,1,,172174-78210,, "HOSE G608BC058",1,1,,,,,,,,,,,,,
21,1,,172174-78230,, "HOSE G212BC065",1,1,,,,,,,,,,,,,
22,1,,26013-100202,, "BOLT W/WASHER M10X20",2,2,,,,,,,,,,,,,
23,1,,23391-040000,, "JOINT RGI 1/2",1,1,,,,,,,,,,,,,
24,1,,23391-060000,, "JOINT RGI 3/4",1,1,,,,,,,,,,,,,
25,1,,172174-78330,, "HOSE P206BB070",2,2,,,,,,,,,,,,,
26,1,,172174-78420,, "HOSE P208BC077S",1,1,,,,,,,,,,,,,

Fig. 49 HYD. OIL PIPING (P. T. O. VALVE, FRAME)



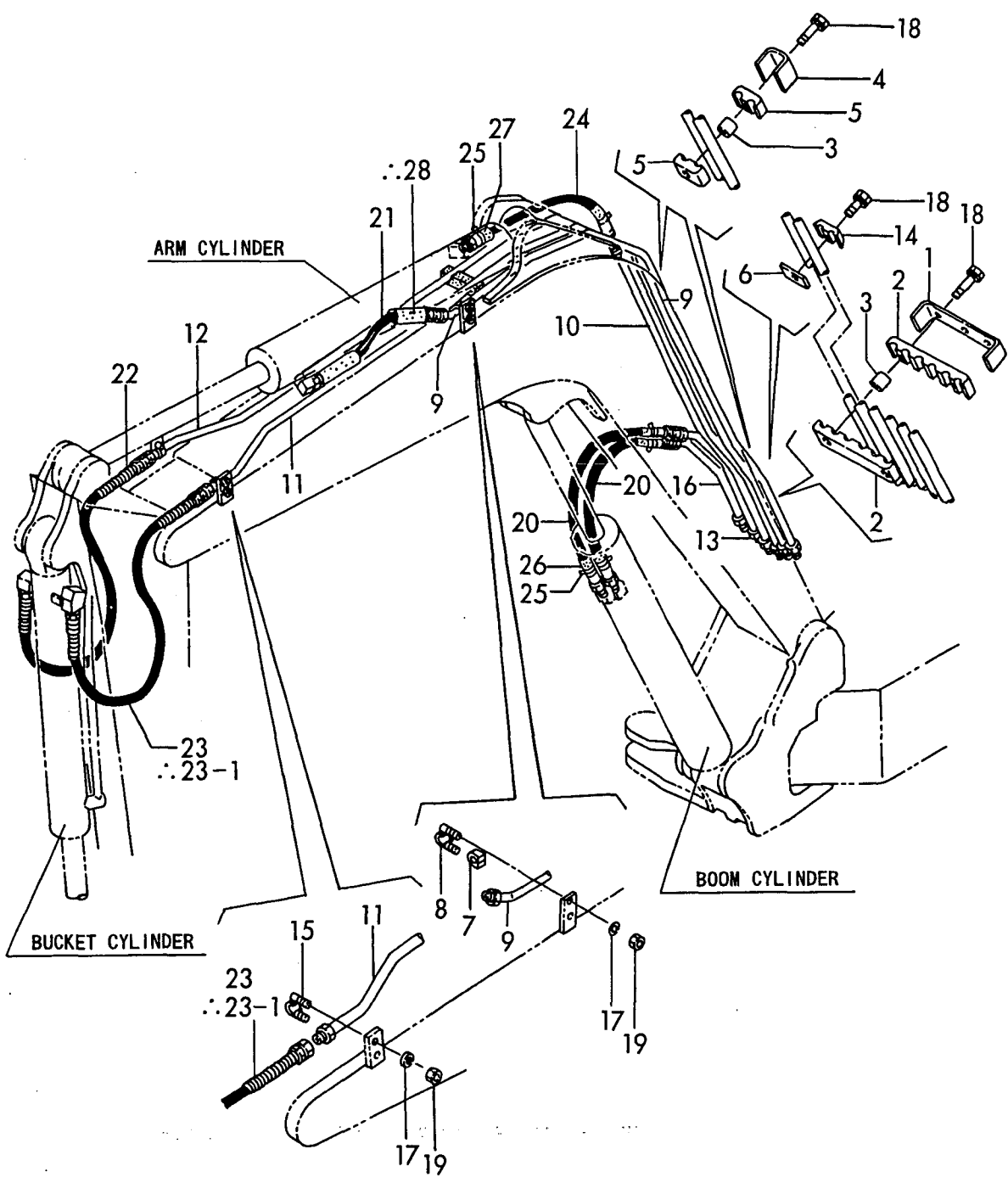
1,1,,172159-76120,, "CONNECTOR PF1/4",2,2,,,,,,,,,,,,,
2,1,,172159-76120,, "CONNECTOR PF1/4",2,2,,,,,,,,,,,,,
3,1,,172174-76530,, "CONNECTOR PF1/2-3/8",4,4,,,,,,,,,,,,,
4,1,,23391-020000,, "JOINT RGI1/4",2,2,,,,,,,,,,,,,
5,1,,23391-030000,, "JOINT RGI 3/8",2,2,,,,,,,,,,,,,
6,1,,23394-020000,, "JOINT 45RGI1/4",2,2,,,,,,,,,,,,,
7,1,,23394-020000,, "JOINT 45RGI1/4",2,2,,,,,,,,,,,,,
8,1,,23394-030000,, "JOINT 45RGI 3/8",2,2,,,,,,,,,,,,,
9,1,,24315-000110,, "O-RING 1B P-11.0",2,2,,,,,,,,,,,,,
10,1,,24315-000110,, "O-RING 1B P-11.0",2,2,,,,,,,,,,,,,
11,1,,24315-000180,, "O-RING 1B P-18.0",4,4,,,,,,,,,,,,,
12,1,,172184-78200,,HOSE,2,2,,,,,,,,,,,,,
13,1,,172184-78310,,HOSE,2,2,,,,,,,,,,,,,
14,1,,172184-78320,,HOSE,2,2,,,,,,,,,,,,,
15,1,,172184-78340,,HOSE,2,2,,,,,,,,,,,,,
16,1,,172184-78210,,HOSE,2,2,,,,,,,,,,,,,
17,1,,172184-78230,,HOSE,2,2,,,,,,,,,,,,,

Fig. 50 HYD. OIL PIPING (TRACK FRAME)



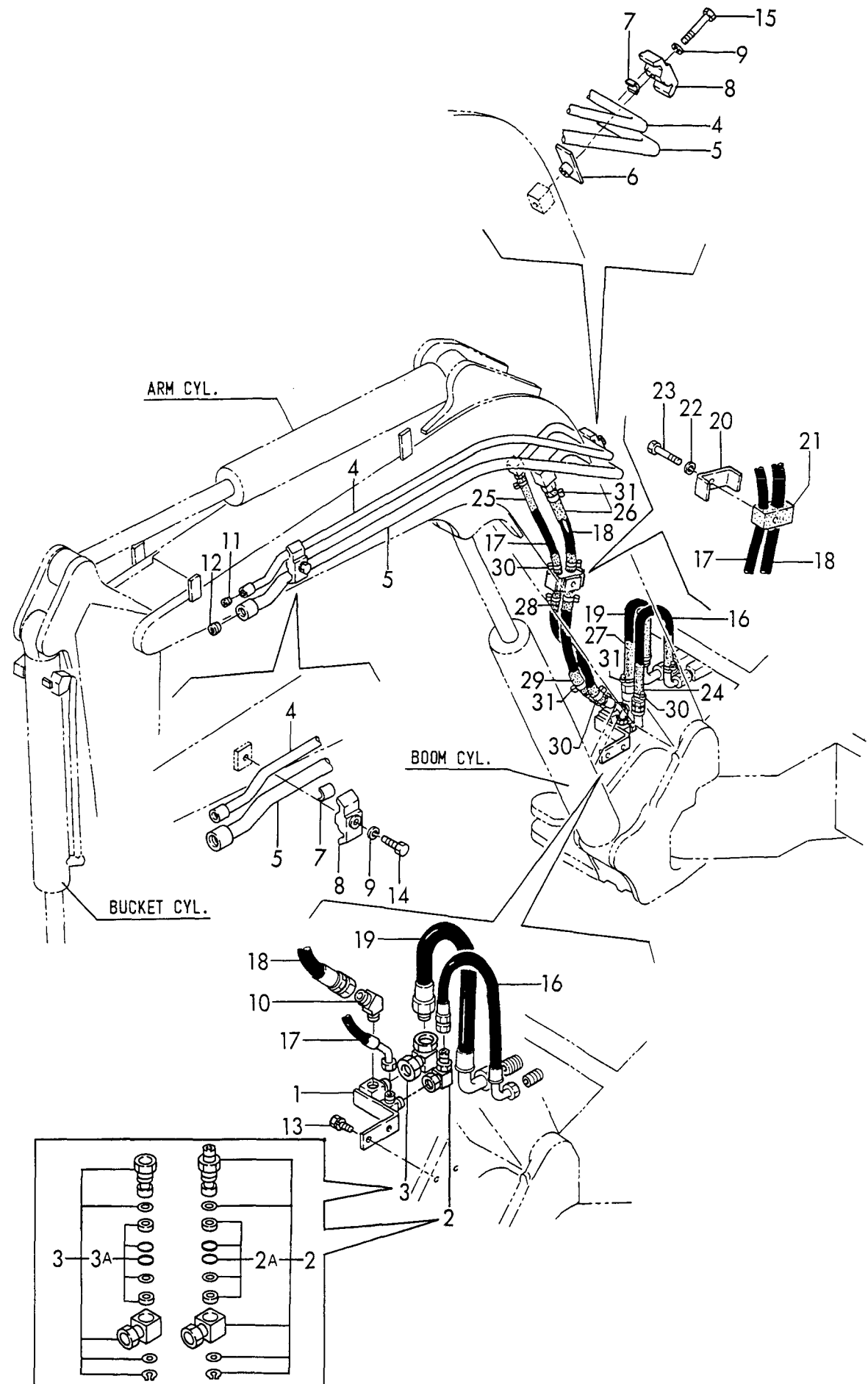
1,1,,172185-76400,, "CLAMP, TUBE",1,1,,,,,,,,,,,,,,,,,,,,,
2,1,,172175-76411,, "RUBBER, TUBE",2,2,,,,,,,,,,,,,,,,,,,,,
3,1,,172185-76420,, COLLAR,6,6,,,,,,,,,,,,,,,,,,,,,
4,1,,172185-76430,, "CLAMP, TUBE",3,3,,,,,,,,,,,,,,,,,,,,,
5,1,,172175-76440,, "RUBBER, TUBE",6,6,,,,,,,,,,,,,,,,,,,,,
6,1,,172185-76450,, PLATE,1,1,,,,,,,,,,,,,,,,,,,,,
7,1,,172175-76460,, "RUBBER, TUBE",1,1,,,,,,,,,,,,,,,,,,,,,
8,1,,172185-76470,, "CLAMP, TUBE",1,1,,,,,,,,,,,,,,,,,,,,,
9,1,,172184-76540,, "TUBE, ARM L",1,1,,,,,,,,,,,,,,,,,,,,,
10,1,,172184-76560,, "TUBE, ARM R",1,1,,,,,,,,,,,,,,,,,,,,,
11,1,,172184-76580,, "TUBE, BUCKET L",1,1,,,,,,,,,,,,,,,,,,,,,
12,1,,172184-76600,, "TUBE, BUCKET R",1,1,,,,,,,,,,,,,,,,,,,,,
13,1,,172174-76620,, "PIPE(A), BOOM",1,1,,,,,,,,,,,,,,,,,,,,,
14,1,,172161-76670,, "CLAMP,TUBE A",1,1,,,,,,,,,,,,,,,,,,,,,
15,1,,172161-76680,, "CLAMP,TUBE B COMP.",2,2,,,,,,,,,,,,,,,,,,,,,
16,1,,172174-76820,, "PIPE(B), BOOM",1,1,,,,,,,,,,,,,,,,,,,,,
17,1,,22217-080000,, "SPRING WASHER 8",6,6,,,,,,,,,,,,,,,,,,,,,
18,1,,26013-100352,, "BOLT M10X 35",7,7,,,,,,,,,,,,,,,,,,,,,
19,1,,26717-080002,, "NUT M 8",6,6,,,,,,,,,,,,,,,,,,,,,
20,1,,172184-78270,, HOSE,2,2,,,,,,,,,,,,,,,,,,,,,
21,1,,172184-78290,, HOSE,1,1,,,,,,,,,,,,,,,,,,,,,
22,1,,172184-78770,, HOSE,1,1,,,,,,,,,,,,,,,,,,,,,
22-1,1,,172184-78771,, HOSE,1,1,,,,,N,,72184020,M50587,72184020,M50587,,,,,,,,,,,,,I
23,1,,172184-78770,, HOSE,1,1,,,,,,,,,,,,,,,,,,,,,
23-1,1,,172184-78771,, HOSE,1,1,,,,,N,,72184020,M50587,72184020,M50587,,,,,,,,,,,,,I
24,1,,172184-78300,, HOSE,1,1,,,,,,,,,,,,,,,,,,,,,
25,1,,172159-78080,, CLAMP,6,6,,,,,,,,,,,,,,,,,,,,,
26,1,,172159-78770,, "COVER, HOSE",2,2,,,,,,,,,,,,,,,,,,,,,
27,1,,172159-78800,, "COVER 16-550",1,1,,,,,,,,,,,,,,,,,,,,,
28,1,,172161-79800,, "COVER
16X400,HOSE",1,1,,,,,W,,72184014,M50501,72184014,M50501,,,,,,,,,,,,,I

Fig.51 HYD. OIL PIPING(BOOM)



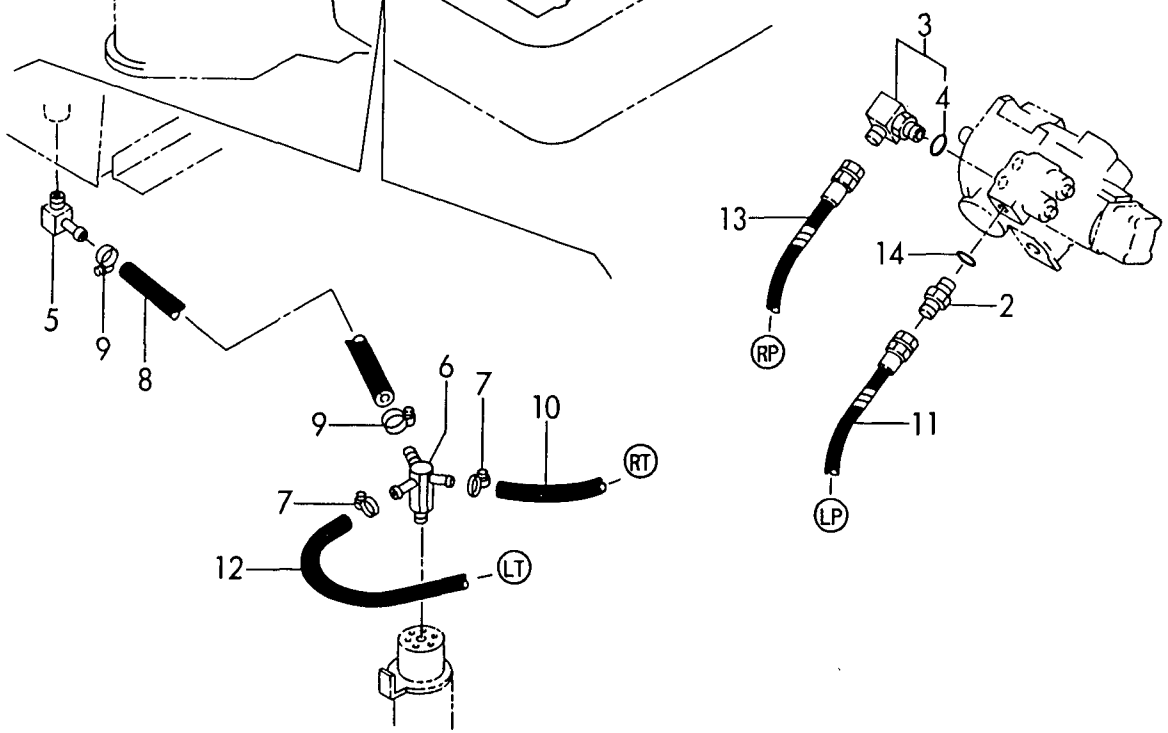
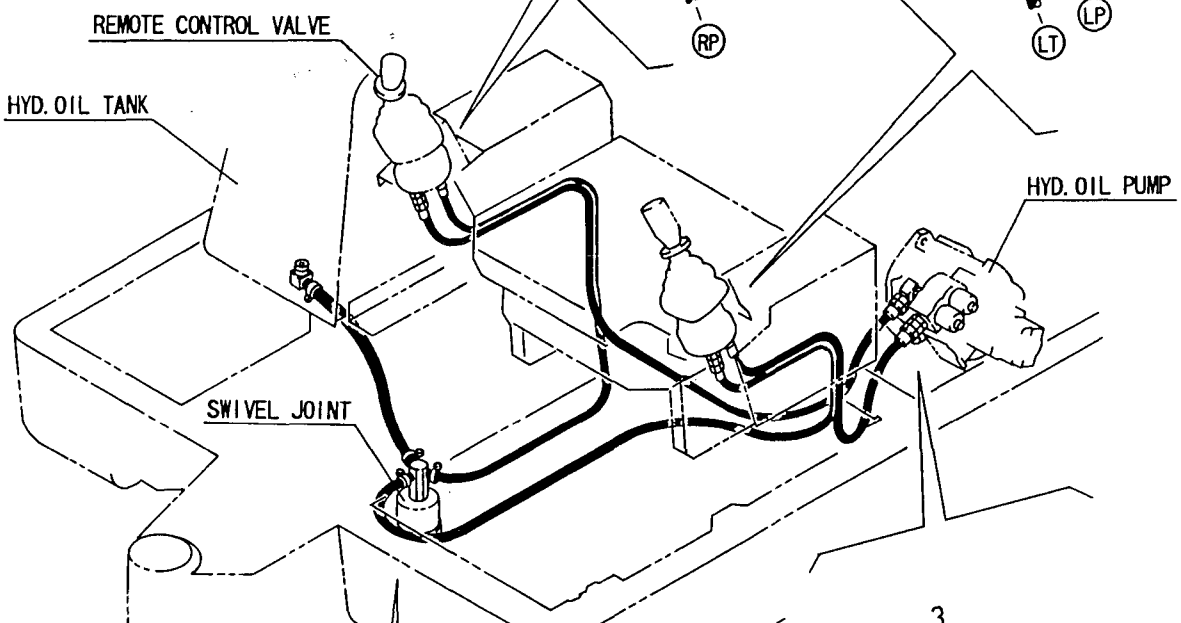
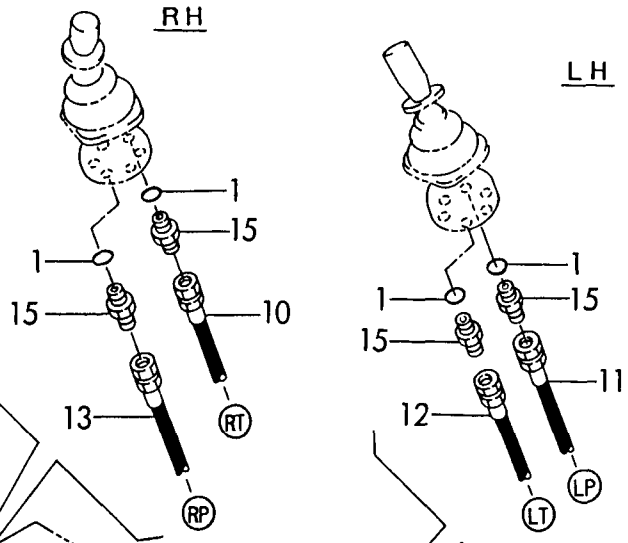
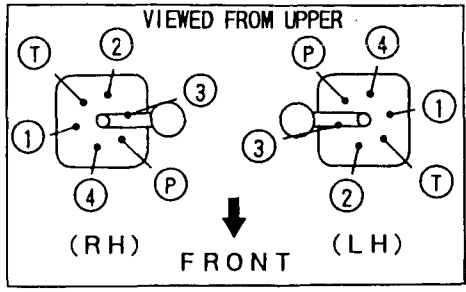
1,1,,172184-76200,, "JOINT ASSY",1,1,,,,,,,,,,,,,,,,,,,,,
2,1,,172142-76270,, "JOINT 1/2, SWIVEL",1,1,,,,,,,,,,,,,,,,,,,,,
2A,2,,172142-77040,, "SEAL SET",1,1,,,,,W,,72142389,"FROM 1ST",72142389,"FROM
1ST",,,,,,,,,I
3,1,,172142-76280,, "JOINT 3/4, SWIVEL",1,1,,,,,,,,,,,,,,,,,,,,,
3A,2,,172142-77050,, "SEAL SET",1,1,,,,,W,,72142389,"FROM 1ST",72142389,"FROM
1ST",,,,,,,,,I
4,1,,172184-76700,, "TUBE (A), 3RD",1,1,,,,,,,,,,,,,,,,,,,,,
5,1,,172184-76720,, "TUBE (B), 3RD",1,1,,,,,,,,,,,,,,,,,,,,,
6,1,,172184-76750,, "SUPPORT, TUBE",1,1,,,,,,,,,,,,,,,,,,,,,
7,1,,172184-76780,, "PLATE",2,2,,,,,,,,,,,,,,,,,,,,,
8,1,,172125-76900,, "CLAMP",2,2,,,,,,,,,,,,,,,,,,,,,
9,1,,22217-120000,, "WASHER 12, SPRING",2,2,,,,,,,,,,,,,,,,,,,,,
10,1,,23394-060000,, "JOINT 45RGI3/4",1,1,,,,,,,,,,,,,,,,,,,,,
11,1,,23871-040000,, "PLUG PT1/2, SCREW",1,1,,,,,,,,,,,,,,,,,,,,,
12,1,,23871-060000,, "PLUG PT3/4, SCREW",1,1,,,,,,,,,,,,,,,,,,,,,
13,1,,26013-100252,, "BOLT W/WASHER M10X25",2,2,,,,,,,,,,,,,,,,,,,,,
14,1,,26116-120552,, "BOLT M12X 55 PLATED",1,1,,,,,,,,,,,,,,,,,,,,,
15,1,,26116-120752,, "BOLT M12X 75 PLATED",1,1,,,,,,,,,,,,,,,,,,,,,
16,1,,172174-78270,, "HOSE G308BC092",1,1,,,,,,,,,,,,,,,,,,,,,
17,1,,172174-78450,, "HOSE",1,1,,,,,,,,,,,,,,,,,,,,,
18,1,,172174-78460,, "HOSE",1,1,,,,,,,,,,,,,,,,,,,,,
19,1,,172174-78850,, "HOSE G312BC082",1,1,,,,,,,,,,,,,,,,,,,,,
20,1,,172174-78950,, "CLAMP(A), HOSE",1,1,,,,,,,,,,,,,,,,,,,,,
21,1,,172142-78960,, "CLAMP(B), HOSE",1,1,,,,,,,,,,,,,,,,,,,,,
22,1,,22217-120000,, "WASHER 12, SPRING",1,1,,,,,,,,,,,,,,,,,,,,,
23,1,,26116-120602,, "BOLT M12X 60 PLATED",1,1,,,,,,,,,,,,,,,,,,,,,
24,1,,172174-78890,, "COVER, HOSE",1,1,,,,,,,,,,,,,,,,,,,,,
25,1,,172174-78970,, "COVER, HOSE",1,1,,,,,,,,,,,,,,,,,,,,,
26,1,,172174-78980,, "COVER 24-400, HOSE",1,1,,,,,,,,,,,,,,,,,,,,,
27,1,,172174-78990,, "COVER 24-780, HOSE",1,1,,,,,,,,,,,,,,,,,,,,,
28,1,,172161-79790,, "COVER 20X600, HOSE",1,1,,,,,,,,,,,,,,,,,,,,,
29,1,,172161-79950,, "COVER 24X650, HOSE",1,1,,,,,,,,,,,,,,,,,,,,,
30,1,,23000-035000,, "CLAMP 35",6,6,,,,,,,,,,,,,,,,,,,,,
31,1,,23000-041000,, "CLAMP 41",6,6,,,,,,,,,,,,,,,,,,,,,

Fig. 52 HYD. OIL PIPING (P. T. O. VALVE, BOOM)



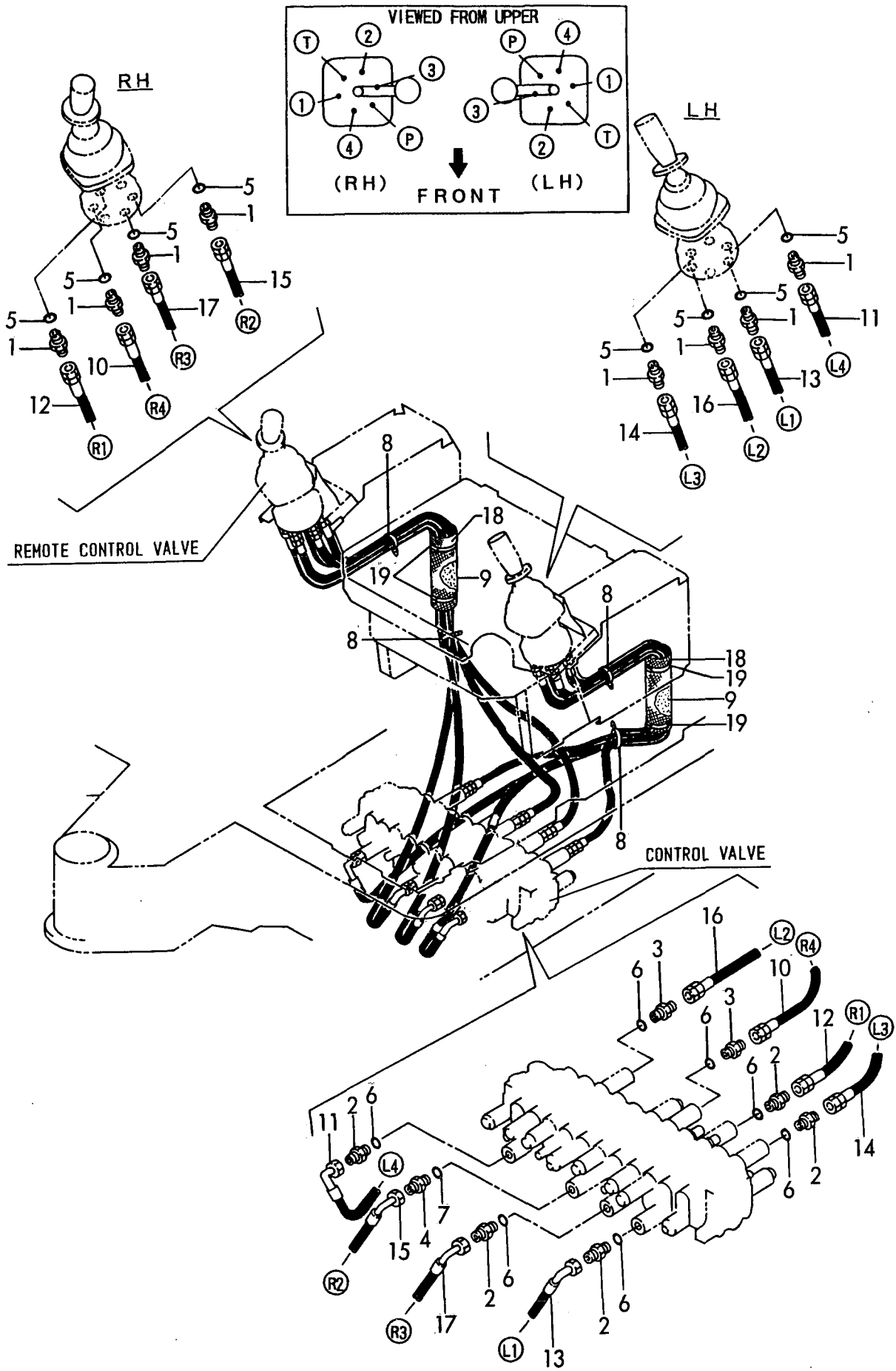
1,1,,24315-000110,, "O-RING 1B P-11.0",4,4,,,,,,,,,,,,,
2,1,,172159-76120,, "CONNECTOR PF1/4",1,1,,,,,,,,,,,,,
3,1,,172159-76180,, "CONNECTOR",1,1,,,,,,,,,,,,,
4,2,,24315-000110,, "O-RING 1B P-11.0",1,1,,,,,,,,,,,,,
5,1,,172184-76370,, "CONNECTOR",1,1,,,,,,,,,,,,,
6,1,,172184-76380,, "JOINT",1,1,,,,,,,,,,,,,
7,1,,23010-014000,, "CLAMP 14",2,2,,,,,,,,,,,,,
8,1,,172185-78400,, "HOSE",1,1,,,,,,,,,,,,,
9,1,,23000-016000,, "CLAMP 16",2,2,,,,,,,,,,,,,
10,1,,172184-78900,, "HOSE",1,1,,,,,,,,,,,,,
11,1,,172184-78910,, "HOSE",1,1,,,,,,,,,,,,,
12,1,,172184-78920,, "HOSE",1,1,,,,,,,,,,,,,
13,1,,172184-78930,, "HOSE",1,1,,,,,,,,,,,,,
14,1,,24315-000110,, "O-RING 1B P-11.0",1,1,,,,,,,,,,,,,
15,1,,172159-76120,, "CONNECTOR PF1/4",4,4,,,,,,,,,,,,,

Fig. 53 CONTROL PIPING (PUMP-REMOTE CONT. V. -RETURN)



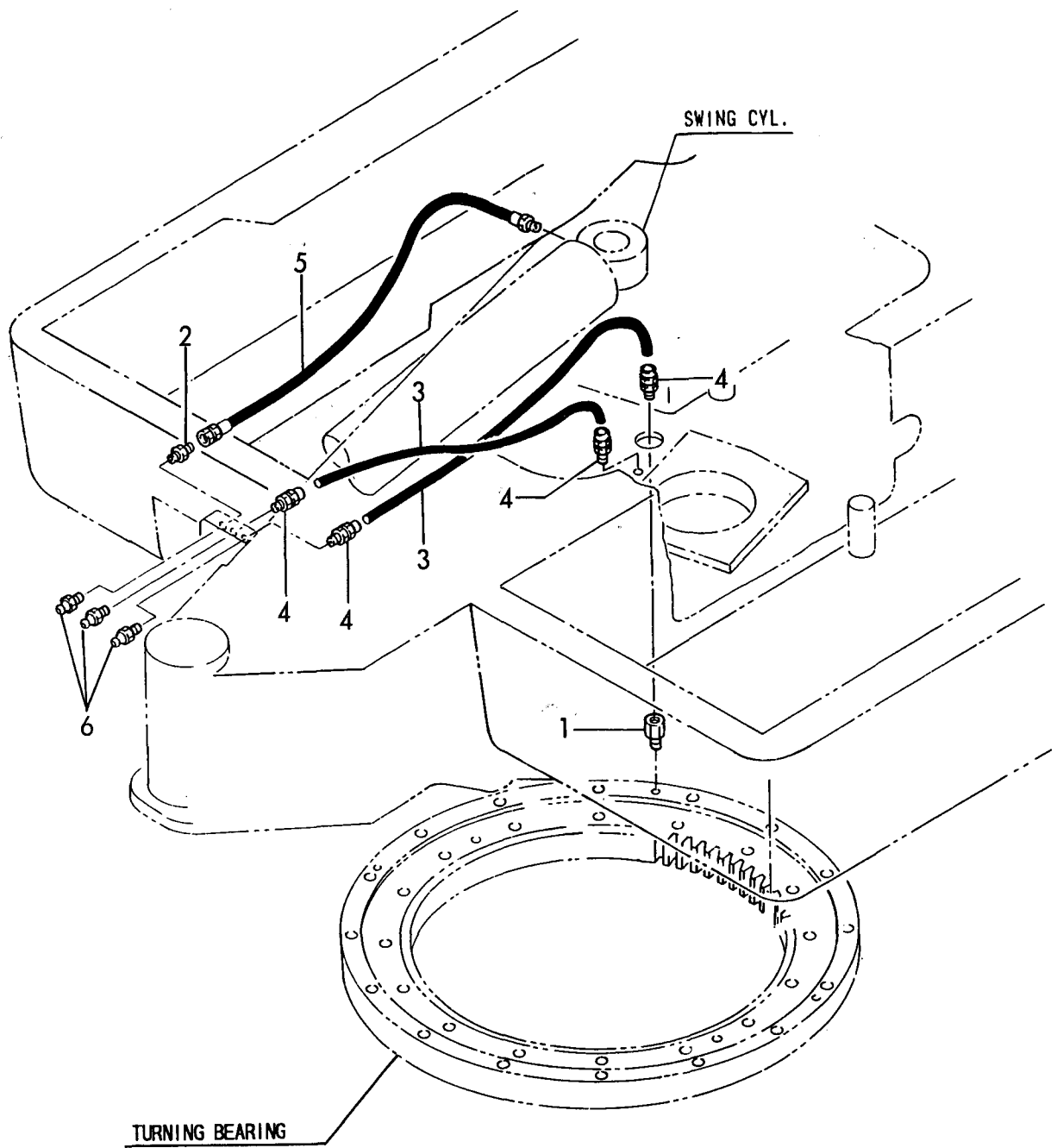
1,1,,172159-76120,, "CONNECTOR PF1/4",8,8,,,,,,,,,,,,,,,,,,,,,
2,1,,172159-76120,, "CONNECTOR PF1/4",5,5,,,,,,,,,,,,,,,,,,,,,
3,1,,172174-76360,, "JOINT PF1/4",2,2,,,,,,,,,,,,,,,,,,,,,
4,1,,172174-77130,, "JOINT PF1/4-0.9",1,1,,,,,,,,,,,,,,,,,,,,,
5,1,,24315-000110,, "O-RING 1B P-11.0",8,8,,,,,,,,,,,,,,,,,,,,,
6,1,,24315-000110,, "O-RING 1B P-11.0",7,7,,,,,,,,,,,,,,,,,,,,,
7,1,,24315-000110,, "O-RING 1B P-11.0",1,1,,,,,,,,,,,,,,,,,,,,,
8,1,,172159-45160,, "CLAMP 350",6,6,,,,,,,,,,,,,,,,,,,,,
9,1,,172174-78560,, "SPONGY HOSE",2,2,,,,,,,,,,,,,,,,,,,,,
10,1,,172174-79220,, "HOSE",1,1,,,,,,,,,,,,,,,,,,,,,
11,1,,172174-79290,, "HOSE G604BB175S",1,1,,,,,,,,,,,,,,,,,,,,,
12,1,,172174-79300,, "HOSE",1,1,,,,,,,,,,,,,,,,,,,,,
13,1,,172174-79310,, "HOSE G604BC175S",1,1,,,,,,,,,,,,,,,,,,,,,
14,1,,172174-79340,, "HOSE G604BB120",1,1,,,,,,,,,,,,,,,,,,,,,
15,1,,172174-79350,, "HOSE G604BC175S",1,1,,,,,,,,,,,,,,,,,,,,,
16,1,,172174-79360,, "HOSE G604BB120",1,1,,,,,,,,,,,,,,,,,,,,,
17,1,,172174-79370,, "HOSE G604BC175S",1,1,,,,,,,,,,,,,,,,,,,,,
18,1,,172174-79820,, "COVER, HOSE",2,2,,,,,,,,,,,,,,,,,,,,,
19,1,,172174-79930,, "BAND 250",4,4,,,,,,,,,,,,,,,,,,,,,

Fig. 54 CONTROL PIPING (REMOTE CONTROL. V. -CONTROL V.)



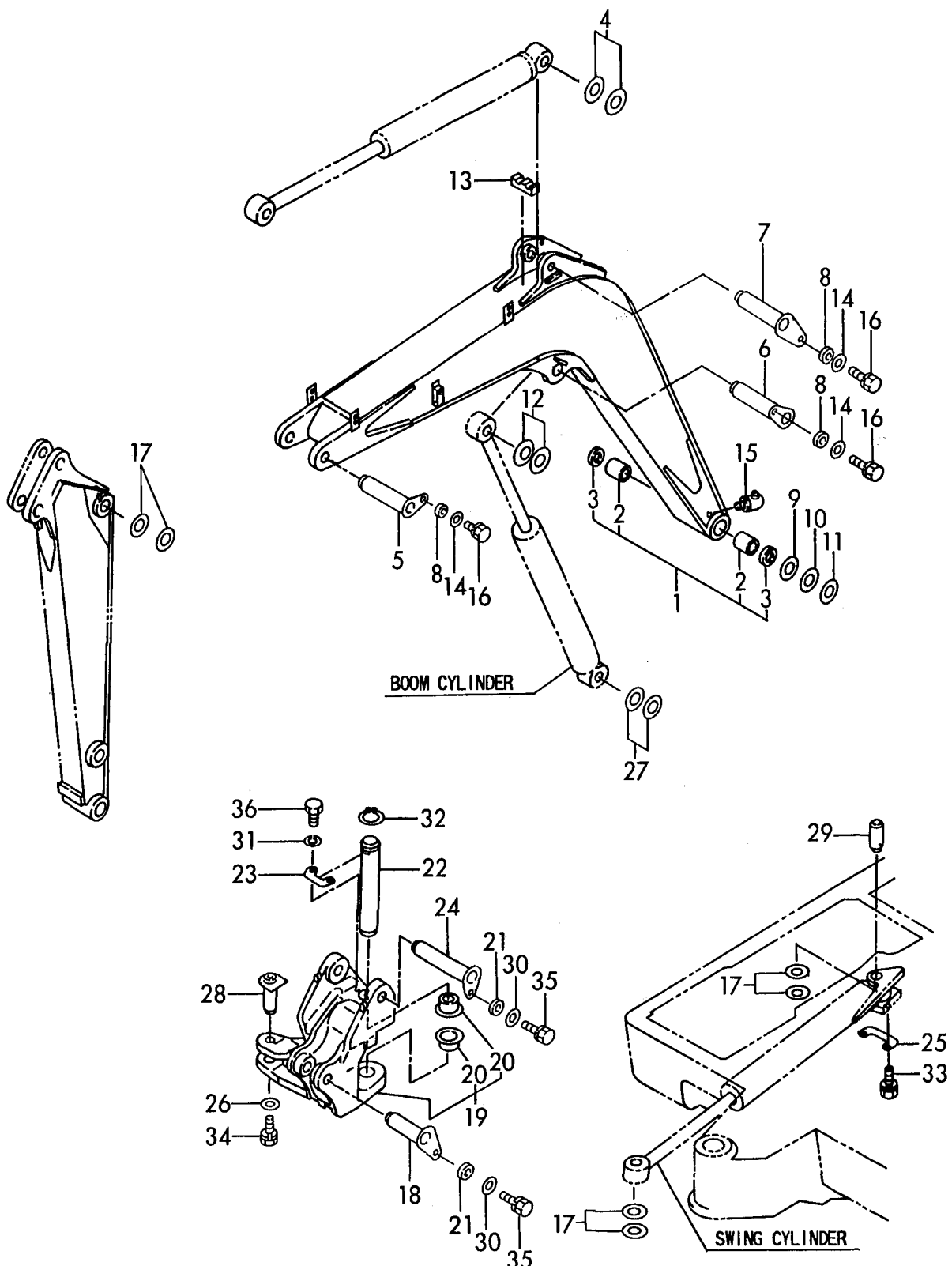
1,1,,172159-76140,, "FITTING, GREASE",1,1,,,,,,,,,,,,,
2,1,,172174-77580,, "JOINT 1/8",1,1,,,,,,,,,,,,,
3,1,,172174-77600,, HOSE,2,2,,,,,,,,,,,,,
4,1,,172159-77800,, "JOINT, GREASE",4,4,,,,,,,,,,,,,
5,1,,172184-77800,, HOSE,1,1,,,,,,,,,,,,,
6,1,,24761-020000,, "NIPPLE PT1/8,GREASE",3,3,,,,,,,,,,,,,

Fig. 55 GREASING



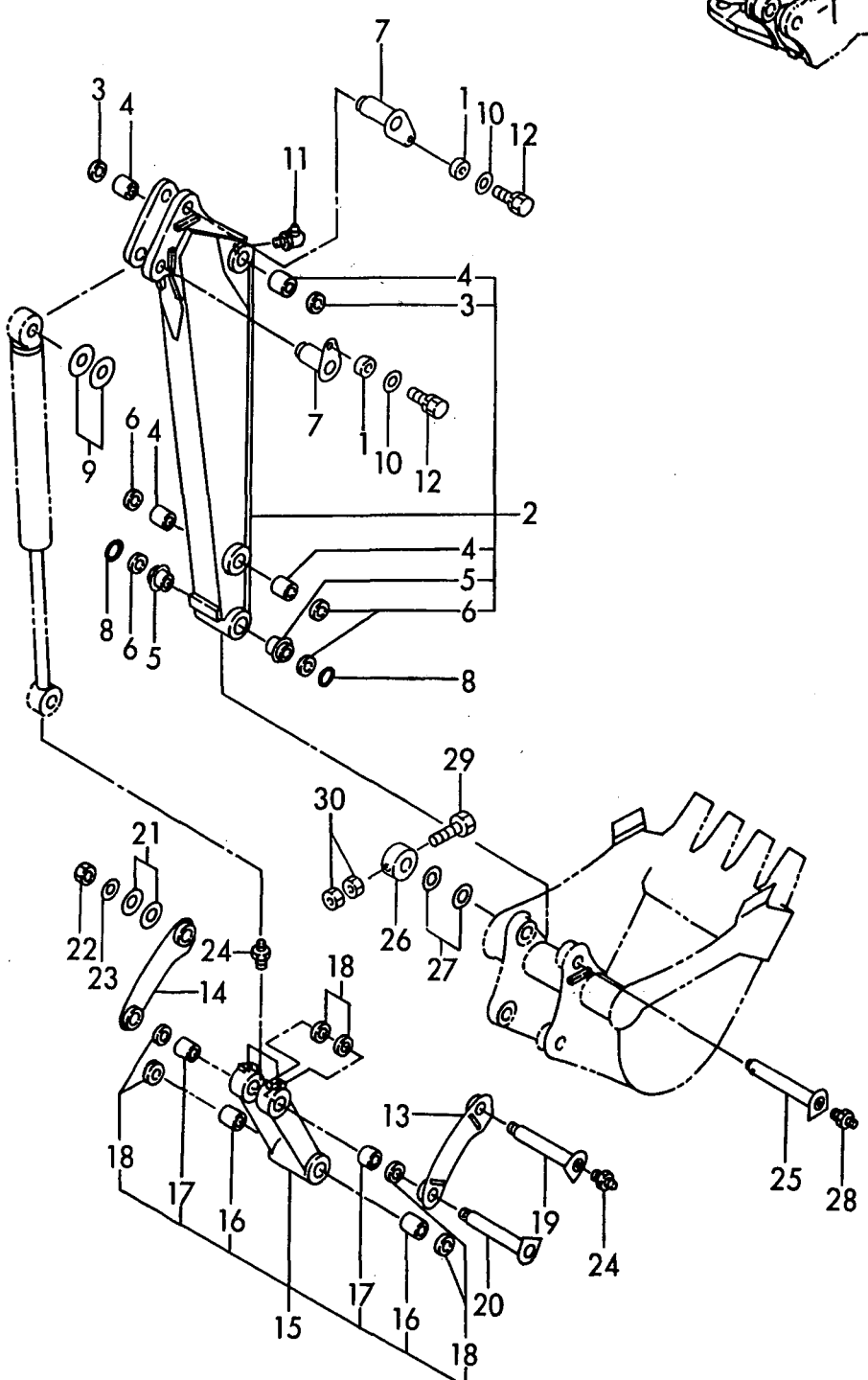
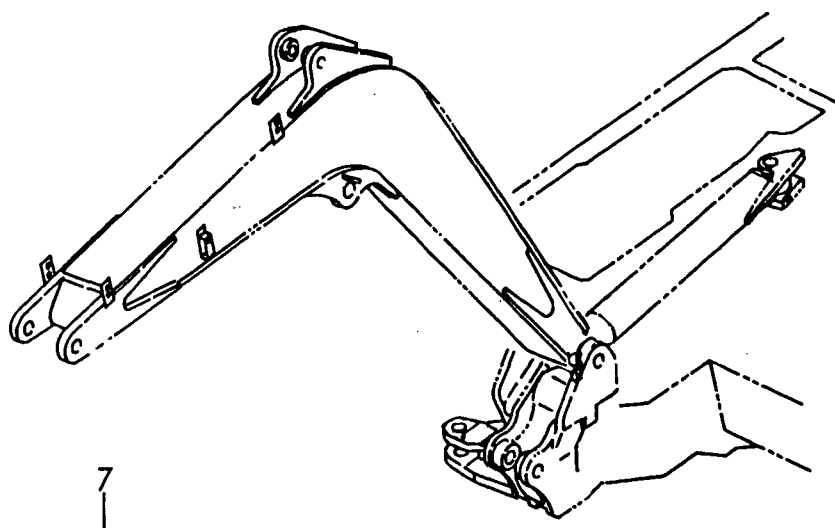
1,1,,172184-81101,, "BOOM ASSY",1,1,,,,,,,,,,,,,,,,,,,,,
2,2,,172184-81330,, BUSH,2,2,,,,,,,,,,,,,,,,,,,,,
3,2,,172168-81410,, "SEAL 45X55X4, DUST",2,2,,,,,,,,,,,,,,,,,,,,,
4,1,,172184-81450,, "SHIM 38",1,1,,,,,,,,,,,,,,,,,,,,,
5,1,,172184-81500,, "PIN 38-191",1,1,,,,,,,,,,,,,,,,,,,,,
6,1,,172184-81530,, "PIN 45-149",1,1,,,,,,,,,,,,,,,,,,,,,
7,1,,172184-81550,, "PIN 38-139",1,1,,,,,,,,,,,,,,,,,,,,,
8,1,,172184-81560,, SPACER,3,3,,,,,,,,,,,,,,,,,,,,,
8-1,1,,172184-81840,, SPACER,3,3,,,,,N,,72184014,M50501,72184014,M50501,,,,,,,,,I
9,1,,172184-81570,, "SHIM 45-80-0.5",1,1,,,,,,,,,,,,,,,,,,,,,
10,1,,172184-81580,, "SHIM 45-80-1.25",1,1,,,,,,,,,,,,,,,,,,,,,
11,1,,172184-81590,, "SHIM 45-80-1.5",1,1,,,,,,,,,,,,,,,,,,,,,
12,1,,172184-81600,, "SHIM 45-1.0",1,1,,,,,,,,,,,,,,,,,,,,,
13,1,,172184-81610,, RUBBER,1,1,,,,,,,,,,,,,,,,,,,,,
14,1,,22157-120000,, "WASHER 12",3,3,,,,,,,,,,,,,,,,,,,,,
15,1,,24761-050000,, "NIPPLE C,GREASE",1,1,,,,,,,,,,,,,,,,,,,,,
16,1,,26013-120302,, "BOLT W/WASHER M12X30",3,3,,,,,,,,,,,,,,,,,,,,,
17,1,,172184-81450,, "SHIM 38",2,2,,,,,,,,,,,,,,,,,,,,,
18,1,,172184-81530,, "PIN 45-149",1,1,,,,,,,,,,,,,,,,,,,,,
19,1,,172184-82200,, "BRACKET, BOOM",1,1,,,,,,,,,,,,,,,,,,,,,
20,2,,172184-82220,, BUSH,2,2,,,,,,,,,,,,,,,,,,,,,
21,1,,172184-82260,, SPACER,2,2,,,,,,,,,,,,,,,,,,,,,
22,1,,172184-82270,, "PIN 60X336",1,1,,,,,,,,,,,,,,,,,,,,,
23,1,,172184-82280,, PLATE,1,1,,,,,,,,,,,,,,,,,,,,,
24,1,,172184-82290,, "PIN 45X241",1,1,,,,,,,,,,,,,,,,,,,,,
25,1,,172184-82310,, PLATE,1,1,,,,,,,,,,,,,,,,,,,,,
26,1,,172184-82320,, SPACER,1,1,,,,,,,,,,,,,,,,,,,,,
27,1,,172184-82330,, "SHIM 45X1",4,4,,,,,,,,,,,,,,,,,,,,,
28,1,,172161-83371,, "PIN 38X94",1,1,,,,,,,,,,,,,,,,,,,,,
29,1,,172161-94260,, "PIN 38X130",1,1,,,,,,,,,,,,,,,,,,,,,
30,1,,22157-120000,, "WASHER 12",2,2,,,,,,,,,,,,,,,,,,,,,
31,1,,22217-160000,, "SPRING WASHER 16",2,2,,,,,,,,,,,,,,,,,,,,,
32,1,,22242-000600,, "CIRCLIP 60",1,1,,,,,,,,,,,,,,,,,,,,,
33,1,,26013-100252,, "BOLT W/WASHER M10X25",2,2,,,,,,,,,,,,,,,,,,,,,
34,1,,26013-120252,, "BOLT M12X 25",1,1,,,,,,,,,,,,,,,,,,,,,
35,1,,26013-120302,, "BOLT W/WASHER M12X30",2,2,,,,,,,,,,,,,,,,,,,,,
36,1,,26116-160402,, "BOLT M16X 40 PLATED",2,2,,,,,,,,,,,,,,,,,,,,,

Fig. 56 BOOM & BOOM BRACKET



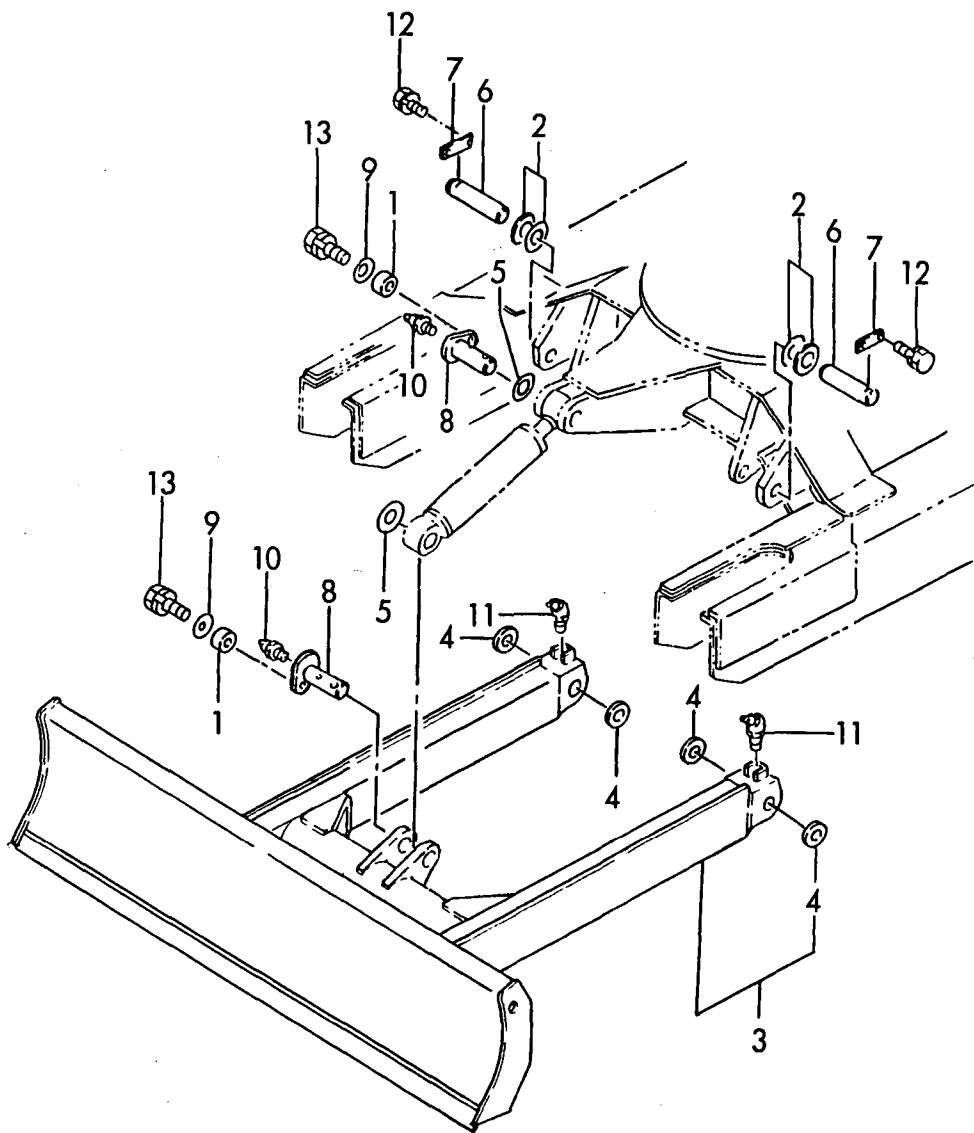
1,1,,172184-81560,,SPACER,2,2,,,,,,,,,,,,,,,,,,,,,
1-1,1,,172184-81840,,SPACER,2,2,,,,,N,,72184014,M50501,72184014,M50501,,,,,,,,,I
2,1,,172184-81630,, "ARM ASSY",1,1,,,,,,,,,,,,,,,,,,,,,
3,2,,172168-81400,, "SEAL,DUST 38X48X4",2,2,,,,,,,,,,,,,,,,,,,,,
4,2,,172161-81540,, "BUSH 38X55,PIN",4,4,,,,,,,,,,,,,,,,,,,,,
5,2,,172184-81710,, "BUSH 38-55",2,2,,,,,,,,,,,,,,,,,,,,,
6,2,,172122-82290,, "SEAL, DUST",4,4,,,,,,,,,,,,,,,,,,,,,
7,1,,172184-81800,, "PIN 38-106",2,2,,,,,,,,,,,,,,,,,,,,,
8,1,,172184-81830,,O-RING,2,2,,,,,,,,,,,,,,,,,,,,,
9,1,,172159-83230,, "SHIM SET, PIN 38",2,2,,,,,,,,,,,,,,,,,,,,,
10,1,,22157-120000,, "WASHER 12",2,2,,,,,,,,,,,,,,,,,,,,,
11,1,,24761-040000,, "NIPPLE B,GREASE",1,1,,,,,,,,,,,,,,,,,,,,,
12,1,,26013-120302,, "BOLT W/WASHER M12X30",2,2,,,,,,,,,,,,,,,,,,,,,
13,1,,172184-81850,, "ARM, BUCKET L",1,1,,,,,,,,,,,,,,,,,,,,,
14,1,,172184-81880,, "ARM, BUCKET R",1,1,,,,,,,,,,,,,,,,,,,,,
15,1,,172184-81890,, "LINK, BUCKET",1,1,,,,,,,,,,,,,,,,,,,,,
16,2,,172184-81900,,BUSH,2,2,,,,,,,,,,,,,,,,,,,,,
17,2,,172184-81920,,BUSH,2,2,,,,,,,,,,,,,,,,,,,,,
18,2,,172122-82290,, "SEAL, DUST",6,6,,,,,,,,,,,,,,,,,,,,,
19,1,,172184-81960,, "PIN 38-192 G",1,1,,,,,,,,,,,,,,,,,,,,,
20,1,,172184-81980,, "PIN 38-192",1,1,,,,,,,,,,,,,,,,,,,,,
21,1,,172159-83230,, "SHIM SET, PIN 38",2,2,,,,,,,,,,,,,,,,,,,,,
22,1,,172161-84580,, "NUT M24X24,NYLON",2,2,,,,,,,,,,,,,,,,,,,,,
23,1,,172161-84590,,WASHER,2,2,,,,,,,,,,,,,,,,,,,,,
24,1,,24761-020000,, "NIPPLE PT1/8,GREASE",3,3,,,,,,,,,,,,,,,,,,,,,
25,1,,172184-81400,, "PIN 38-229",2,2,,,,,,,,,,,,,,,,,,,,,
26,1,,172184-81420,,COLLAR,2,2,,,,,,,,,,,,,,,,,,,,,
27,1,,172159-83230,, "SHIM SET, PIN 38",2,2,,,,,,,,,,,,,,,,,,,,,
28,1,,24761-020000,, "NIPPLE PT1/8,GREASE",2,2,,,,,,,,,,,,,,,,,,,,,
29,1,,26116-100652,, "BOLT M10X 65 PLATED",2,2,,,,,,,,,,,,,,,,,,,,,
30,1,,26716-100002,, "NUT M10",4,4,,,,,,,,,,,,,,,,,,,,,

Fig. 57 ARM & BUCKET LINK



1,1,,172184-81560,,SPACER,2,2,,,,,,,,,,,,,,,,,,,,,
1-1,1,,172184-81840,,SPACER,2,2,,,,,N,,72184014,M50501,72184014,M50501,,,,,,,,,I
2,1,,172159-83230,, "SHIM SET, PIN 38",2,2,,,,,,,,,,,,,,,,,,,,,
3,1,,172184-94100,,BLADE,1,1,,,,,,,,,,,,,,,,,,,,,
4,2,,172168-81270,, "SEAL,DUST 38X50X4",4,4,,,,,,,,,,,,,,,,,,,,,
5,1,,172184-94250,,SHIM,2,2,,,,,,,,,,,,,,,,,,,,,
6,1,,172184-94300,, "PIN 38-135",2,2,,,,,,,,,,,,,,,,,,,,,
7,1,,172161-94310,, "PLATE,LOCK",2,2,,,,,,,,,,,,,,,,,,,,,
8,1,,172184-94310,, "PIN 40-100",2,2,,,,,,,,,,,,,,,,,,,,,
9,1,,22157-120000,, "WASHER 12",2,2,,,,,,,,,,,,,,,,,,,,,
10,1,,24761-020000,, "NIPPLE PT1/8,GREASE",2,2,,,,,,,,,,,,,,,,,,,,,
11,1,,24761-040000,, "NIPPLE B,GREASE",2,2,,,,,,,,,,,,,,,,,,,,,
12,1,,26013-100252,, "BOLT W/WASHER M10X25",4,4,,,,,,,,,,,,,,,,,,,,,
13,1,,26013-120302,, "BOLT W/WASHER M12X30",2,2,,,,,,,,,,,,,,,,,,,,,

Fig. 58 BLADE



Y00S3480,"Construction equipment",Excavator,B
[Info]
PcNo=Y00S3480
PcName=B27-2A(AMMANN)(B5111)
JpnUse=0
JpnSec1=
JpnSec2=
JpnSec3=
JpnPreface=0
EngUse=1
EngSec1=CONSTRUCTION
EngSec2=EXCAVATOR (B)
EngSec3=B
EngPreface=1

0,Y00S3480

1,001,, "VEHICLE B27-2A"
2,1,, LABEL(CABIN), "B27-2A C AY", "B27-2A P AY",,
2,2,, LABEL(CANOPY), "B27-2A C AY", "B27-2A P AY",,
2,3,, MUFFLER, "B27-2A C AY", "B27-2A P AY",,
2,4,, "AIR CLEANER", "B27-2A C AY", "B27-2A P AY",,
2,5,, ACCELERATOR, "B27-2A C AY", "B27-2A P AY",,
2,6,, "ENGINE MOUNT", "B27-2A C AY", "B27-2A P AY",,
2,7,, "RADIATOR & HEATER PARTS", "B27-2A C AY", "B27-2A P AY",,
2,8,, "FUEL TANK & FUEL LINE", "B27-2A C AY", "B27-2A P AY",,
2,9,, BATTERY, "B27-2A C AY", "B27-2A P AY",,
2,10,, "ELECTRIC PART(WIRING)", "B27-2A C AY", "B27-2A P AY",,
2,11,, "ELECTRIC PART(EQUIPMENT)", "B27-2A C AY", "B27-2A P AY",,
2,12,, "WORK LAMP", "B27-2A C AY", "B27-2A P AY",,
2,13,, "ROLLER & ADJUST", "B27-2A C AY", "B27-2A P AY",,
2,14,, CRAWLER, "B27-2A C AY", "B27-2A P AY",,
2,15,, "CONTROL EQUIP. (LEVER STAND)", "B27-2A C AY", "B27-2A P AY",,
2,16,, "CONTROL EQUIPMENT(DRIVE)", "B27-2A C AY", "B27-2A P AY",,
2,17,, "CONTROL EQUIPMENT(SWING)", "B27-2A C AY", "B27-2A P AY",,
2,18,, "CONTROL EQUIPMENT(BLADE)", "B27-2A C AY", "B27-2A P AY",,
2,19,, "CONTROL EQUIP. (CUT OFF LEVER&L", "B27-2A C AY", "B27-2A P AY",,
2,20,, "CONTROL EQUIP. (P.T.O.CONTROL)", "B27-2A C AY", "B27-2A P AY",,
2,21,, "FRAME & TURNING BEARING", "B27-2A C AY", "B27-2A P AY",,
2,22,, "FRAME COVER", "B27-2A C AY", "B27-2A P AY",,
2,23,, "STEP & INSTRUMENT PANEL", "B27-2A C AY", "B27-2A P AY",,
2,24,, "SEAT MOUNT", "B27-2A C AY", "B27-2A P AY",,
2,25,, BONNET, "B27-2A C AY", "B27-2A P AY",,
2,26,, CANOPY, "B27-2A C AY", "B27-2A P AY",,
2,27,, "HYD.OIL PUMP & JOINT", "B27-2A C AY", "B27-2A P AY",,
2,28,, "BOOM CYLINDER", "B27-2A C AY", "B27-2A P AY",,
2,29,, "ARM CYLINDER", "B27-2A C AY", "B27-2A P AY",,
2,30,, "BUCKET CYLINDER", "B27-2A C AY", "B27-2A P AY",,
2,31,, "SWING CYLINDER", "B27-2A C AY", "B27-2A P AY",,
2,32,, "BLADE CYLINDER", "B27-2A C AY", "B27-2A P AY",,
2,33,, "DRIVING MOTOR", "B27-2A C AY", "B27-2A P AY",,
2,34,, "TURNING MOTOR", "B27-2A C AY", "B27-2A P AY",,
2,35,, "SWIVEL JOINT", "B27-2A C AY", "B27-2A P AY",,
2,36,, "CONTROL V. (P PORT & VALVE STAN", "B27-2A C AY", "B27-2A P AY",,
2,37,, "CONTROL V. (DRIVE & P.T.O)", "B27-2A C AY", "B27-2A P AY",,
2,38,, "CONTROL V. (ARM & SWING)", "B27-2A C AY", "B27-2A P AY",,
2,39,, "CONTROL V. (BOOM & BUCKET)", "B27-2A C AY", "B27-2A P AY",,
2,40,, "CONTROL V. (TURNING & BLADE)", "B27-2A C AY", "B27-2A P AY",,
2,41,, "REMOTE CONTROL VAVLE(L)", "B27-2A C AY", "B27-2A P AY",,
2,42,, "REMOTE CONTROL VALVE(R)", "B27-2A C AY", "B27-2A P AY",,
2,43,, "P.T.O VALVE", "B27-2A C AY", "B27-2A P AY",,
2,44,, "HYD.OIL TANK", "B27-2A C AY", "B27-2A P AY",,
2,45,, "HYD.OIL PIPING(TANK-PUMP-VALVE", "B27-2A C AY", "B27-2A P AY",,
2,46,, "HYD.OIL PIPING(VALVE-MOTOR,BOO", "B27-2A C AY", "B27-2A P AY",,
2,47,, "HYD.OIL PIPING(VALVE-SWIVEL,SW", "B27-2A C AY", "B27-2A P AY",,
2,48,, "HYD.OIL PIPING(RETURN)", "B27-2A C AY", "B27-2A P AY",,
2,49,, "HYD.OIL PIPING(P.T.O VALVE,FRA", "B27-2A C AY", "B27-2A P AY",,
2,50,, "HYD.OIL PIPING(TRACK FRAME)", "B27-2A C AY", "B27-2A P AY",,
2,51,, "HYD.OIL PIPING(BOOM)", "B27-2A C AY", "B27-2A P AY",,
2,52,, "HYD. OIL PIPING(P.T.O VALVE,BO", "B27-2A C AY", "B27-2A P AY",,
2,53,, "CONTROL PIPING(PUMP-REMOTE)", "B27-2A C AY", "B27-2A P AY",,
2,54,, "CONTROL PIPING(REMOTE V.-CONTR", "B27-2A C AY", "B27-2A P AY",,
2,55,, GREASING, "B27-2A C AY", "B27-2A P AY",,
2,56,, "BOOM & BOOM BRUCKET", "B27-2A C AY", "B27-2A P AY",,
2,57,, "ARM & BUCKET LINK", "B27-2A C AY", "B27-2A P AY",,
2,58,, BLADE, "B27-2A C AY", "B27-2A P AY",,