

# PREFACE

1. This parts catalog covers the parts for crawler backhoe Model B22 for U.K. and AUSTRALIA.

Pub. No. : 000Y00S3010

Issued : October, 1990.

2. Mounted engine and Model Code.

Model	Model Code	Mounted engine	Model Code
B22	172141(カ、キ、ク、ケ、タ、チ、ツ、テ、ト、セ、ソ、ナ)	3TN75L-RBVM	119831A

3. Color

Color	Munsell No.	Paint Code(16 ℓ)	Spray
YANMAR Saffron Yellow	1.0Y7.5/11	933110-91603	977620-30381
YANMAR Cream White	5.0Y9/1	981101-09614	981101-10140
YANMAR Charcoal Gray	N2	981101-09516	977620-30371

4. As this parts catalog covers the specifications of several countries, the Fig. No. for the applicable countries is shown in the following way.

- a) When the applicable figure varies according to the appropriate country(s).

Example 1 :

COUNTRY	UK	AS	EX
Fig. No.	18	19	-

← Abbreviation of the country concerned

UK : United Kingdom

AS : Australia

EX : Others

↑ Fig. number on the page on which the country concerned is shown

In case of Example 1 above, UK(United Kingdom) is shown in Fig. 18 and AS (Australia) in Fig. 19. EX(Others) is not applicable.

- b) When only one figure is available to be applied to one or more countries.

Example 2 :

COUNTRY	UK	AS	EX
APPLICATION	-	○	-

← Abbreviation of the country concerned

← The country concerned is indicated by a circle (○).

In case of Example 2 AS(Australia) is the applicable country.

(Note)

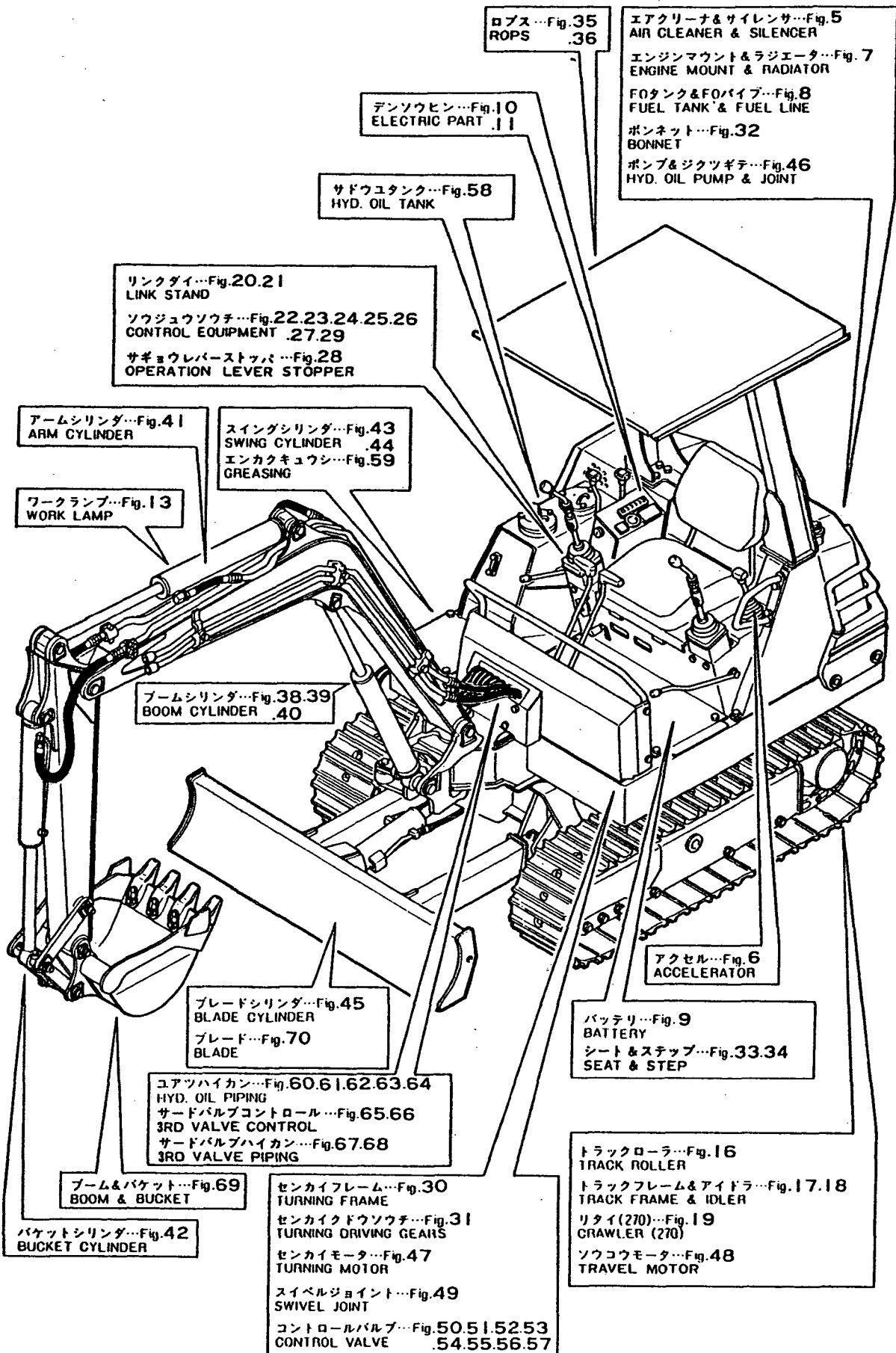
When the figure or specification is common to all destinations, no indication is given.

## SPECIFICATIONS

Name			<b>YANMAR CRAWLER BACKHOE</b>	
Model			<b>B22-P(R)</b>	<b>B22-C(R)</b>
Engine	Model		3TN75L-RB	
	Type		Vertical 3-cylinder water-cooled diesel	
Dimensions	Transport length	mm	4015	
	Transport width	mm	1360	1375
	Transport height	mm	2320	2390
Std. bucket capacity		m <sup>3</sup>	0.06	
Std. bucket width		mm	450	
Max. digging depth		mm	2360(2500 Blade)	
Max. cutting height		mm	4165	3720
Max. dump height		mm	2960	2570
Max. reach at ground level		mm	3990	
Min. turning radius		mm	1465(Boom swing1080)	1705(Boom swing1290)
Boom swing angle		degree	Left50 · Right90	
Max. digging force		kgf	1700	
Travel speed		km/h	2.1	
Gradability		degree	30	
Average ground pressure		kgf/cm <sup>2</sup>	0.278(0.263)	0.294(0.278)
Std. track shoe width		mm	270(280)	
Blade	Width × height	mm	1360 × 300	
	Capacity	m <sup>3</sup>	0.123	
Machine mass		kg	2100	2220

[ ] shows to the specification of rubber crawler.

# 各部の名称 PARTS NAME





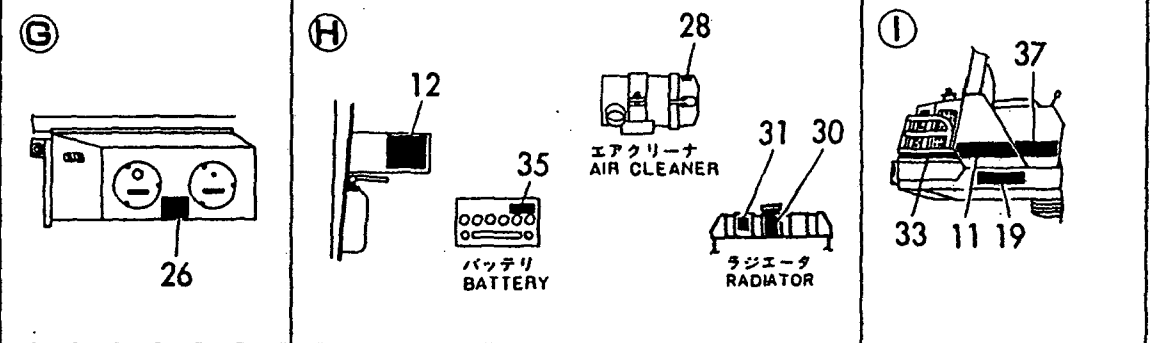
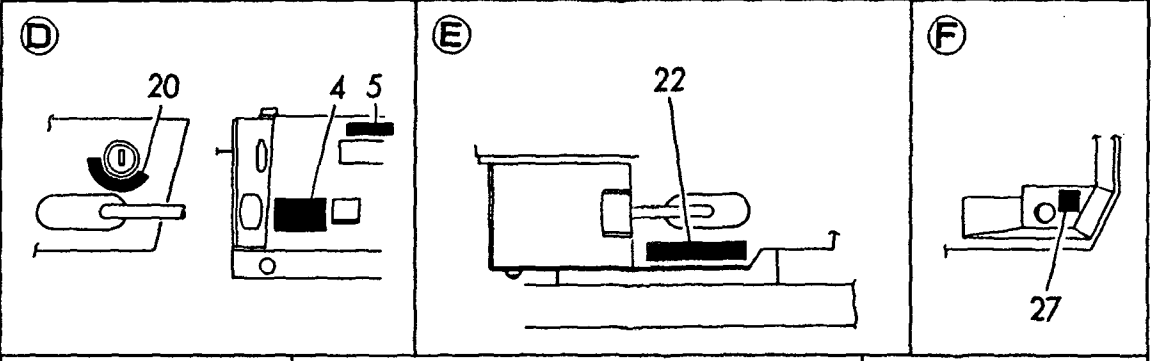
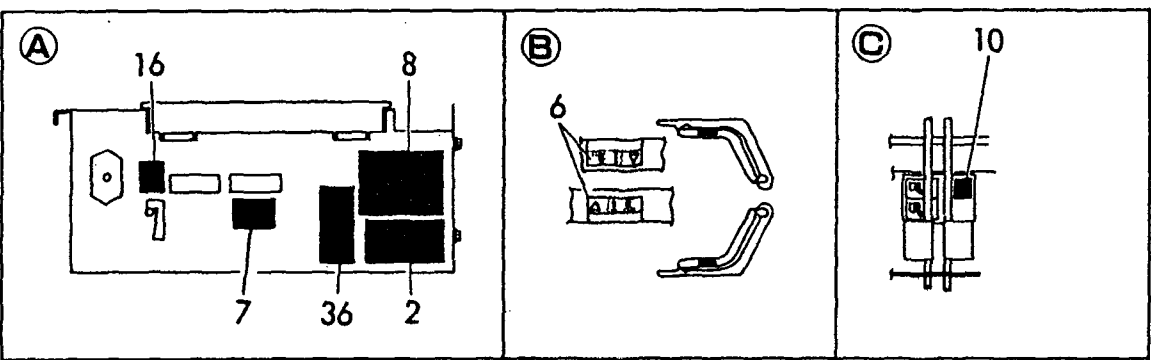
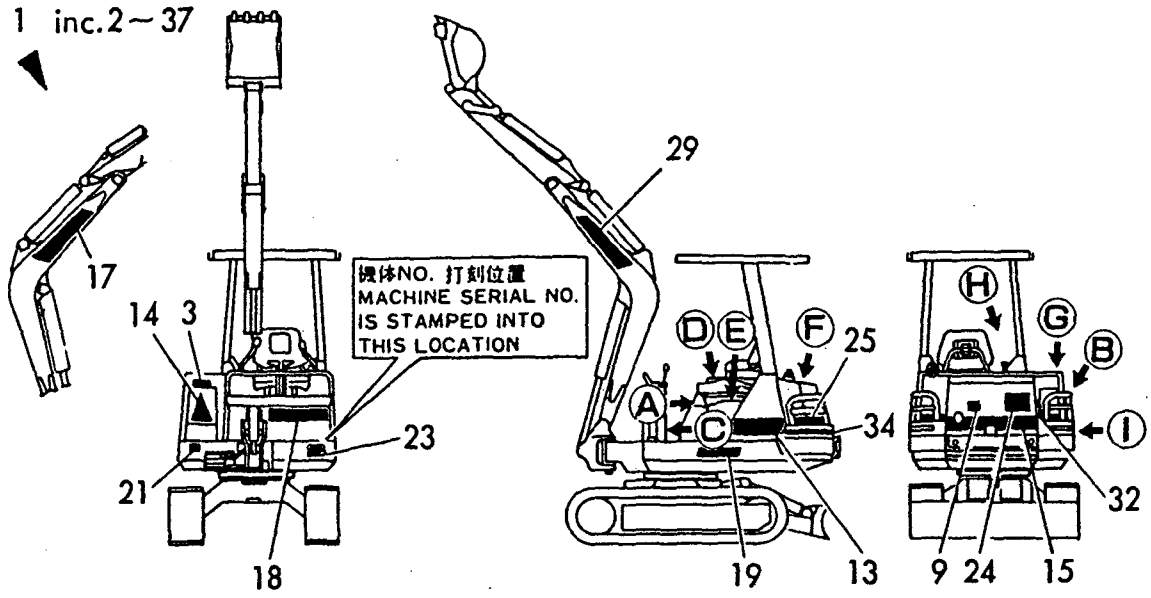


1,1,,772143-03700,, "LABEL ASSY",1,,,,,,,,,,,,,,,,,,,,,  
2,2,,172143-03310,, LABEL,1,,,,,,,,,,,,,,,,,,,,,  
3,2,,172141-03450,, "LABEL, RESERVER(C)",1,,,,,,,,,,,,,,,,,,,,,  
4,2,,172141-03440,, LABEL,1,,,,,,,,,,,,,,,,,,,,,  
5,2,,172141-03210,, "LABEL, SELECT",1,,,,,,,,,,,,,,,,,,,,,  
6,2,,172141-03490,, "LABEL, PROTECTOR",2,,,,,,,,,,,,,,,,,,,,,  
7,2,,172141-03420,, "LABEL, GREASING",1,,,,,,,,,,,,,,,,,,,,,  
8,2,,172141-03430,, LABEL,1,,,,,,,,,,,,,,,,,,,,,  
9,2,,172519-03770,, LABEL,1,,,,,,,,,,,,,,,,,,,,,  
10,2,,172143-03260,, "LABEL, OPERATION",1,,,,,,,,,,,,,,,,,,,,,  
11,2,,172141-03271,, LABEL,1,,,,,,,,,,,,,,,,,,,,,  
12,2,,172141-03470,, LABEL,1,,,,,,,,,,,,,,,,,,,,,  
13,2,,172141-03281,, LABEL,1,,,,,,,,,,,,,,,,,,,,,  
14,2,,172137-03290,, "LABEL, NO.1 MARK",1,,,,,,,,,,,,,,,,,,,,,  
15,2,,172141-03291,, "LABEL, STRIPE(REAR)",1,,,,,,,,,,,,,,,,,,,,,  
16,2,,172137-03300,, "LABEL, TURNING LOCK",1,,,,,,,,,,,,,,,,,,,,,  
17,2,,172148-03230,, LABEL,1,,,,,,,,,,,,,,,,,,,,,  
18,2,,172148-03140,, "LABEL, STRIPE(F)",1,,,,,,,,,,,,,,,,,,,,,  
19,2,,172141-03231,, LABEL,2,,,,,,,,,,,,,,,,,,,,,  
20,2,,172141-03360,, "LABEL, START SWITCH",1,,,,,,,,,,,,,,,,,,,,,  
21,2,,172122-03740,, "LABEL, GREASE",1,,,,,,,,,,,,,,,,,,,,,  
22,2,,172137-03780,, "LABEL, THROTTLE",1,,,,,,,,,,,,,,,,,,,,,  
23,2,,22857-300050,, "SCREW 3X 5",4,,,,,,,,,,,,,,,,,,,,,  
24,2,,172141-03460,, "LABEL, (D)",1,,,,,,,,,,,,,,,,,,,,,  
25,2,,172141-03530,, LABEL,1,,,,,,,,,,,,,,,,,,,,,  
26,2,,933112-50300,, "LABEL, OIL FEED",1,,,,,,,,,,,,,,,,,,,,,  
27,2,,933112-52100,, "LABEL, FUEL",1,,,,,,,,,,,,,,,,,,,,,  
28,2,,172125-03950,, "LABEL, AIR CLEANER",1,,,,,,,,,,,,,,,,,,,,,  
29,2,,172148-03220,, LABEL,1,,,,,,,,,,,,,,,,,,,,,  
30,2,,121120-44800,, "LABEL, RADIATOR",1,,,,,,,,,,,,,,,,,,,,,  
31,2,,124764-44920,, "LABEL, ANTI-FREEZING",1,,,,,,,,,,,,,,,,,,,,,  
32,2,,172141-03560,, LABEL,1,,,,,,,,,,,,,,,,,,,,,  
33,2,,172141-03570,, LABEL,1,,,,,,,,,,,,,,,,,,,,,  
34,2,,172141-03580,, LABEL,1,,,,,,,,,,,,,,,,,,,,,  
35,2,,172122-03912,, LABEL,1,,,,,,,,,,,,,,,,,,,,,  
36,2,,172141-03500,, "LABEL,ADJUST CRAWLER",1,,,,,,,,,,,,,,,,,,,,,  
37,2,,172141-03540,, LABEL,1,,,,,,,,,,,,,,,,,,,,,

Fig. 1 **1** メイバン (キャノピ)  
 LABEL (CANOPY SPEC.)

COUNTRY	U	K	A	S	E	X
Fig.No.	1	2	2			

1 inc.2~37



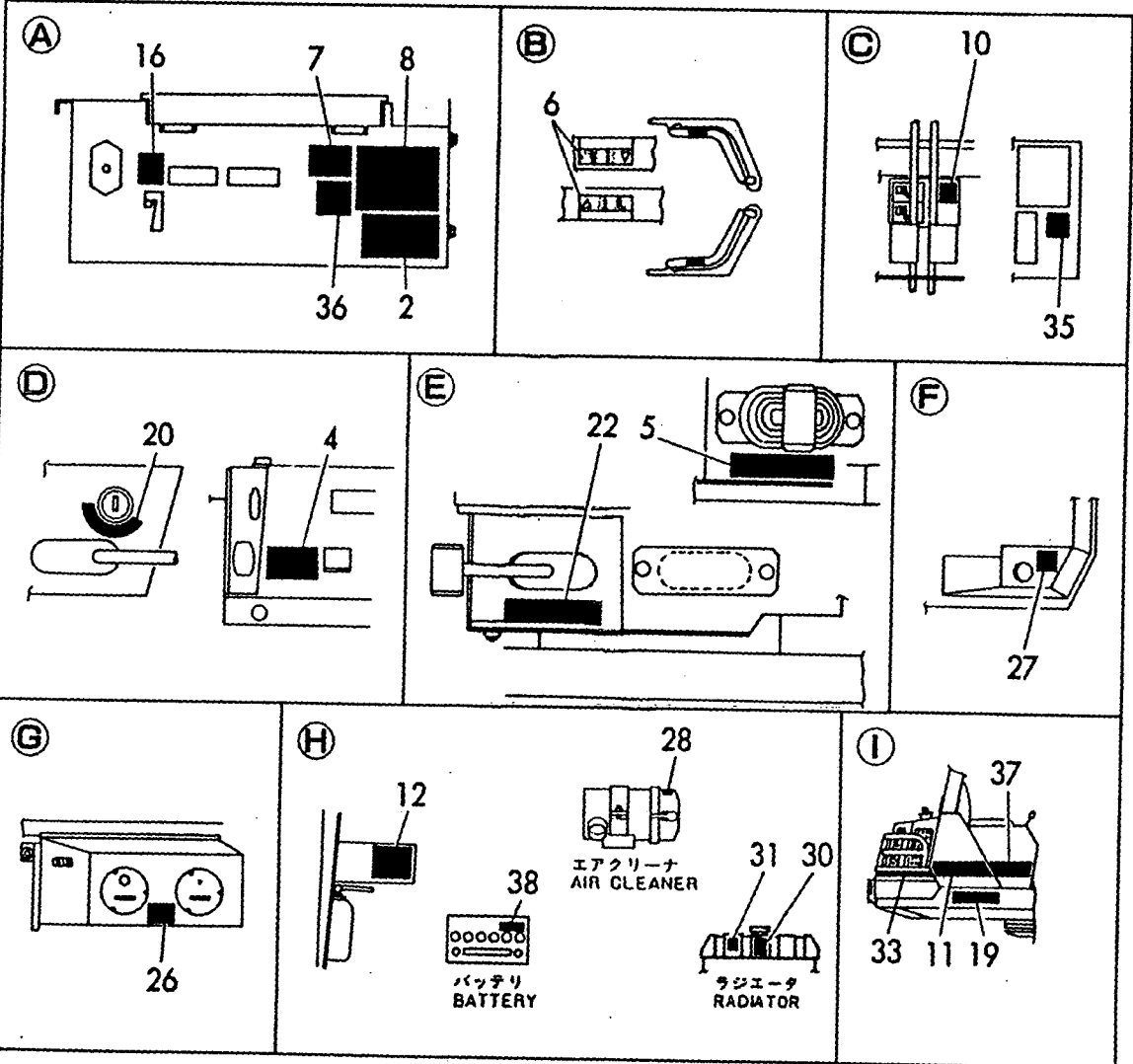
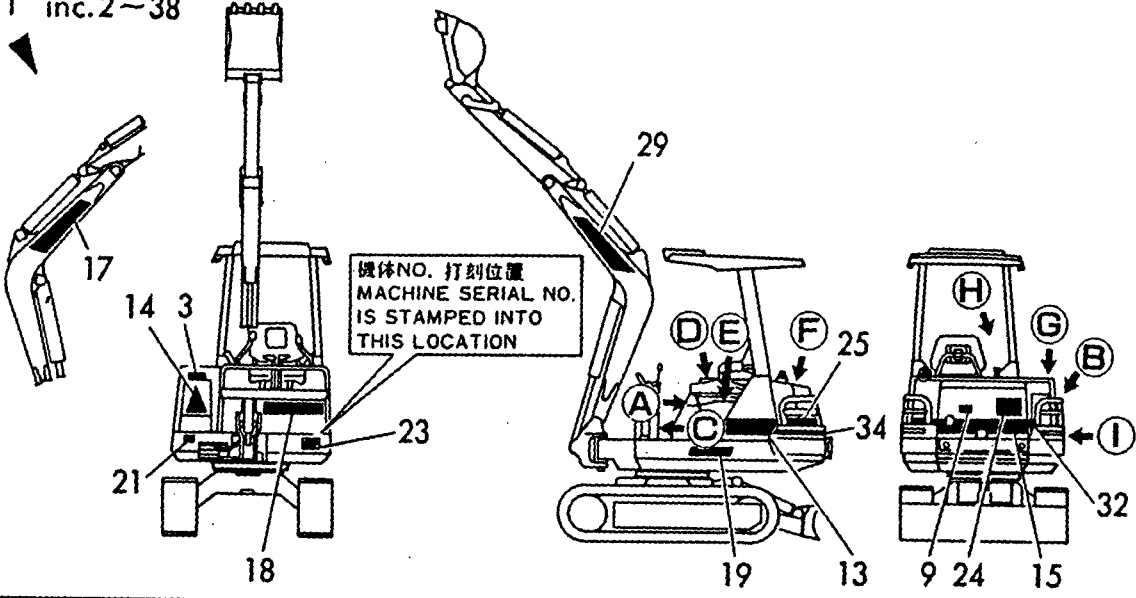
1,1,,772141-03700,, "LAVEL ASSY",1,,,,,,,,,,,,,  
2,2,,172141-03411,, LABEL,1,,,,,,,,,,,,,  
3,2,,172141-03450,, "LABEL, RESERVER(C)",1,,,,,,,,,,,,,  
4,2,,172141-03440,, LABEL,1,,,,,,,,,,,,,  
5,2,,172141-03210,, "LABEL, SELECT",1,,,,,,,,,,,,,  
6,2,,172141-03490,, "LABEL, PROTECTOR",2,,,,,,,,,,,,,  
7,2,,172141-03420,, "LABEL, GREASING",1,,,,,,,,,,,,,  
8,2,,172141-03430,, LABEL,1,,,,,,,,,,,,,  
9,2,,172519-03770,, LABEL,1,,,,,,,,,,,,,  
10,2,,933112-21400,, "LABEL(A2), OPERATION",1,,,,,,,,,,,,,  
11,2,,172141-03271,, LABEL,1,,,,,,,,,,,,,  
12,2,,172141-03470,, LABEL,1,,,,,,,,,,,,,  
13,2,,172141-03281,, LABEL,1,,,,,,,,,,,,,  
14,2,,172137-03290,, "LABEL, NO.1 MARK",1,,,,,,,,,,,,,  
15,2,,172141-03291,, "LABEL, STRIPE(REAR)",1,,,,,,,,,,,,,  
16,2,,172137-03300,, "LABEL, TURNING LOCK",1,,,,,,,,,,,,,  
17,2,,172148-03230,, LABEL,1,,,,,,,,,,,,,  
18,2,,172148-03140,, "LABEL, STRIPE(F)",1,,,,,,,,,,,,,  
19,2,,172141-03231,, LABEL,2,,,,,,,,,,,,,  
20,2,,172141-03360,, "LABEL, START SWITCH",1,,,,,,,,,,,,,  
21,2,,172122-03740,, "LABEL, GREASE",1,,,,,,,,,,,,,  
22,2,,172137-03780,, "LABEL, THROTTLE",1,,,,,,,,,,,,,  
23,2,,22857-300050,, "SCREW 3X 5",4,,,,,,,,,,,,,  
24,2,,172141-03460,, "LABEL, (D)",1,,,,,,,,,,,,,  
25,2,,172141-03530,, LABEL,1,,,,,,,,,,,,,  
26,2,,933112-50300,, "LABEL, OIL FEED",1,,,,,,,,,,,,,  
27,2,,933112-52100,, "LABEL, FUEL",1,,,,,,,,,,,,,  
28,2,,172125-03950,, "LABEL, AIR CLEANER",1,,,,,,,,,,,,,  
29,2,,172148-03220,, LABEL,1,,,,,,,,,,,,,  
30,2,,121120-44800,, "LABEL, RADIATOR",1,,,,,,,,,,,,,  
31,2,,124764-44920,, "LABEL, ANTI-FREEZING",1,,,,,,,,,,,,,  
32,2,,172141-03560,, LABEL,1,,,,,,,,,,,,,  
33,2,,172141-03570,, LABEL,1,,,,,,,,,,,,,  
34,2,,172141-03580,, LABEL,1,,,,,,,,,,,,,  
35,2,,172141-03330,, "LABEL, P.T.O.",1,,,,,,,,,,,,,  
36,2,,172141-03500,, "LABEL,ADJUST CRAWLER",1,,,,,,,,,,,,,  
37,2,,172141-03540,, LABEL,1,,,,,,,,,,,,,  
38,2,,172122-03912,, LABEL,1,,,,,,,,,,,,,



Fig. 2 **2** メイバン(キャノピ) LABEL (CANOPY SPEC.)

COUNTRY	U	K	A	S	E	X
Fig. No.	1	2	2			

1 inc. 2~38

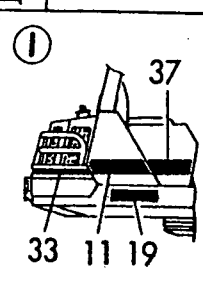
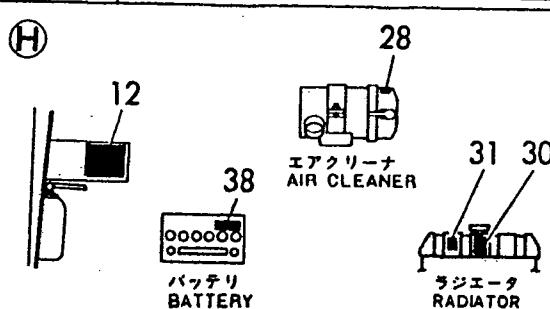
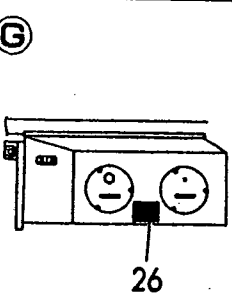
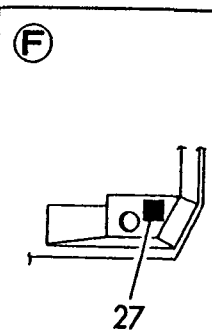
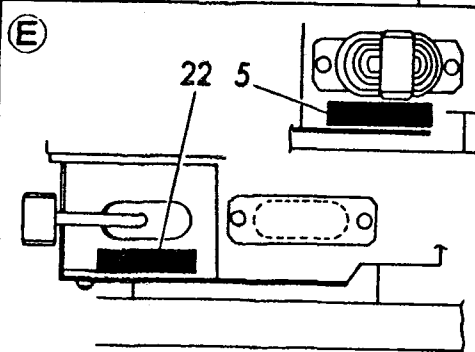
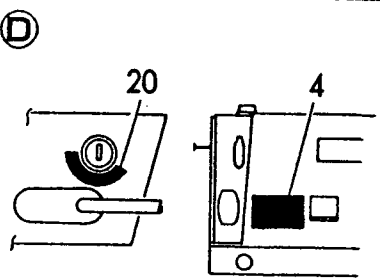
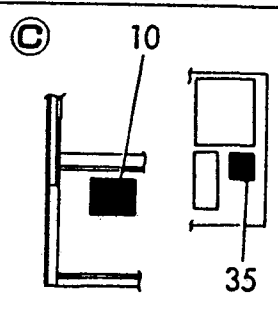
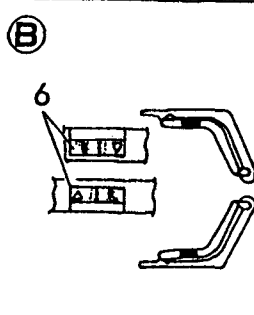
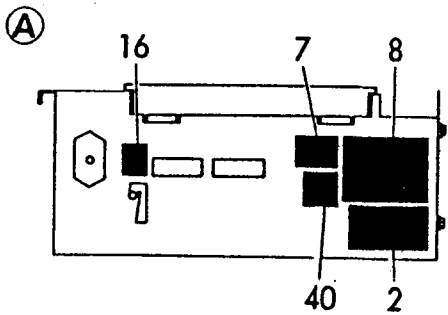
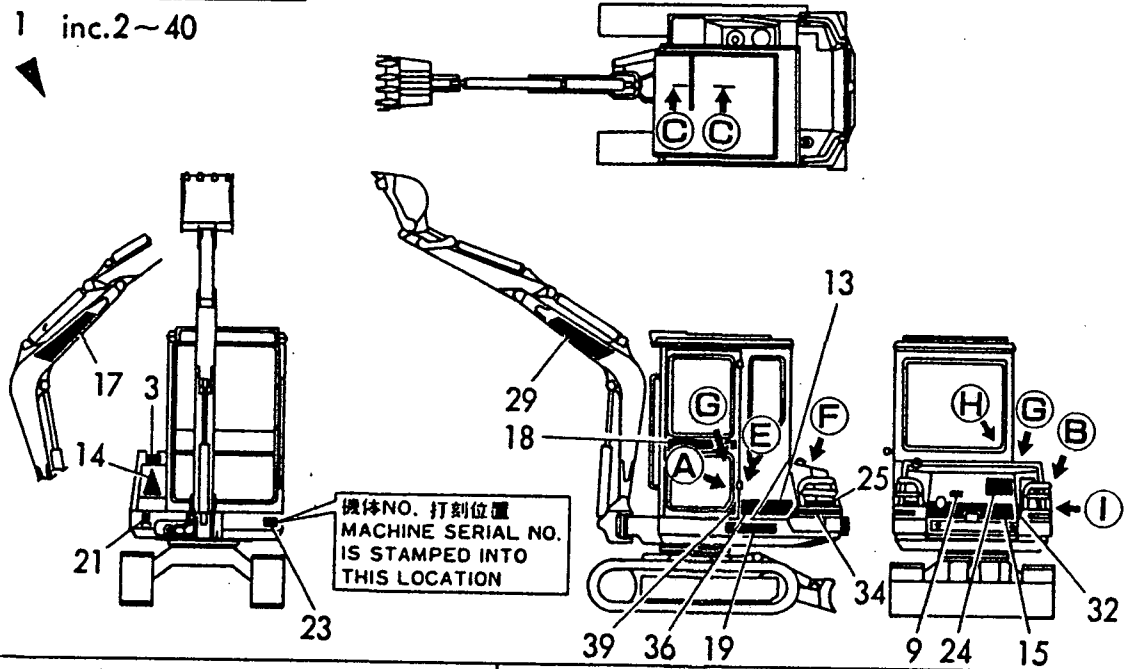


1,1,,772141-03710,, "LABEL ASSY",,1,,,,,,,,,,,,,,,,,,,,,  
2,2,,172141-03411,, LABEL,,1,,,,,,,,,,,,,,,,,,,,,  
3,2,,172141-03450,, "LABEL, RESERVER(C)",,1,,,,,,,,,,,,,,,,,,,,,  
4,2,,172141-03440,, LABEL,,1,,,,,,,,,,,,,,,,,,,,,  
5,2,,172141-03210,, "LABEL, SELECT",,1,,,,,,,,,,,,,,,,,,,,,  
6,2,,172141-03490,, "LABEL, PROTECTOR",,2,,,,,,,,,,,,,,,,,,,,,  
7,2,,172141-03420,, "LABEL, GREASING",,1,,,,,,,,,,,,,,,,,,,,,  
8,2,,172141-03430,, LABEL,,1,,,,,,,,,,,,,,,,,,,,,  
9,2,,172519-03770,, LABEL,,1,,,,,,,,,,,,,,,,,,,,,  
10,2,,933112-21400,, "LABEL(A2), OPERATION",,1,,,,,,,,,,,,,,,,,,,,,  
11,2,,172141-03271,, LABEL,,1,,,,,,,,,,,,,,,,,,,,,  
12,2,,172141-03470,, LABEL,,1,,,,,,,,,,,,,,,,,,,,,  
13,2,,172141-03281,, LABEL,,1,,,,,,,,,,,,,,,,,,,,,  
14,2,,172137-03290,, "LABEL, NO.1 MARK",,1,,,,,,,,,,,,,,,,,,,,,  
15,2,,172141-03291,, "LABEL, STRIPE(REAR)",,1,,,,,,,,,,,,,,,,,,,,,  
16,2,,172137-03300,, "LABEL, TURNING LOCK",,1,,,,,,,,,,,,,,,,,,,,,  
17,2,,172148-03230,, LABEL,,1,,,,,,,,,,,,,,,,,,,,,  
18,2,,172141-03380,, LABEL,,1,,,,,,,,,,,,,,,,,,,,,  
19,2,,172141-03231,, LABEL,,2,,,,,,,,,,,,,,,,,,,,,  
20,2,,172141-03360,, "LABEL, START SWITCH",,1,,,,,,,,,,,,,,,,,,,,,  
21,2,,172122-03740,, "LABEL, GREASE",,1,,,,,,,,,,,,,,,,,,,,,  
22,2,,172137-03780,, "LABEL, THROTTLE",,1,,,,,,,,,,,,,,,,,,,,,  
23,2,,22857-300050,, "SCREW 3X 5",,4,,,,,,,,,,,,,,,,,,,,,  
24,2,,172141-03460,, "LABEL, (D)",,1,,,,,,,,,,,,,,,,,,,,,  
25,2,,172141-03530,, LABEL,,1,,,,,,,,,,,,,,,,,,,,,  
26,2,,933112-50300,, "LABEL, OIL FEED",,1,,,,,,,,,,,,,,,,,,,,,  
27,2,,933112-52100,, "LABEL, FUEL",,1,,,,,,,,,,,,,,,,,,,,,  
28,2,,172125-03950,, "LABEL, AIR CLEANER",,1,,,,,,,,,,,,,,,,,,,,,  
29,2,,172148-03220,, LABEL,,1,,,,,,,,,,,,,,,,,,,,,  
30,2,,121120-44800,, "LABEL, RADIATOR",,1,,,,,,,,,,,,,,,,,,,,,  
31,2,,124764-44920,, "LABEL, ANTI-FREEZING",,1,,,,,,,,,,,,,,,,,,,,,  
32,2,,172141-03560,, LABEL,,1,,,,,,,,,,,,,,,,,,,,,  
33,2,,172141-03570,, LABEL,,1,,,,,,,,,,,,,,,,,,,,,  
34,2,,172141-03580,, LABEL,,1,,,,,,,,,,,,,,,,,,,,,  
35,2,,172141-03330,, "LABEL, P.T.O.",,1,,,,,,,,,,,,,,,,,,,,,  
36,2,,172141-03590,, "LABEL, STRIPE(CA)",,1,,,,,,,,,,,,,,,,,,,,,  
37,2,,172141-03540,, LABEL,,1,,,,,,,,,,,,,,,,,,,,,  
38,2,,172122-03912,, LABEL,,1,,,,,,,,,,,,,,,,,,,,,  
39,2,,172141-03600,, "LABEL, STRIPE(CB)",,1,,,,,,,,,,,,,,,,,,,,,  
40,2,,172141-03500,, "LABEL,ADJUST CRAWLER",,1,,,,,,,,,,,,,,,,,,,,,

**Fig. 3** メイバン(キャビン)  
**LABEL (CABIN SPEC.)**

COUNTRY	U	K	A	S	E	X
Fig. No.	-	3	3			

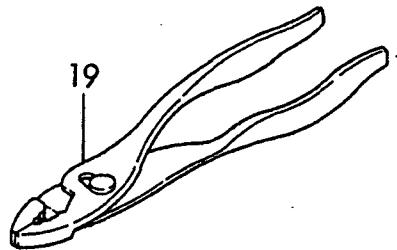
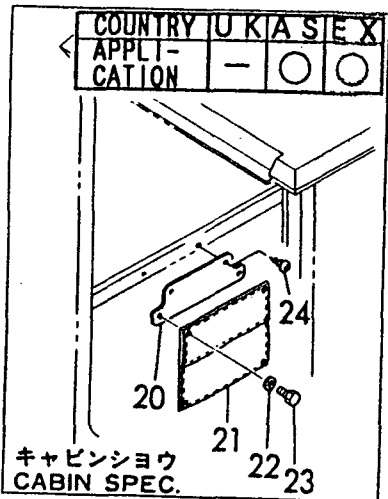
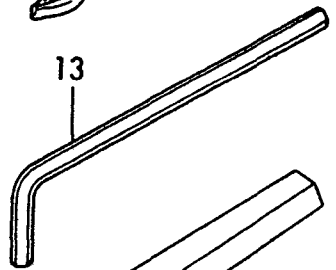
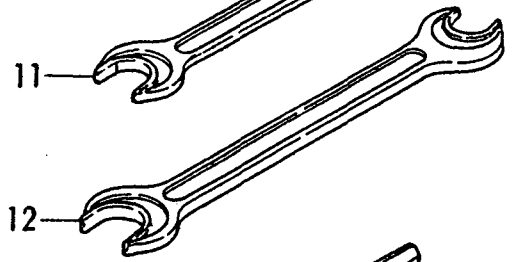
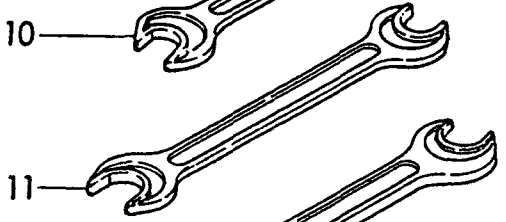
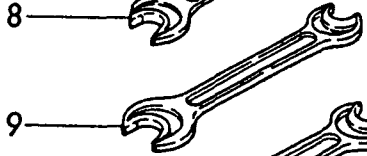
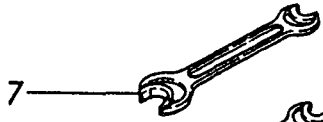
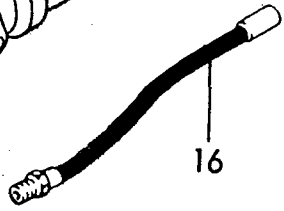
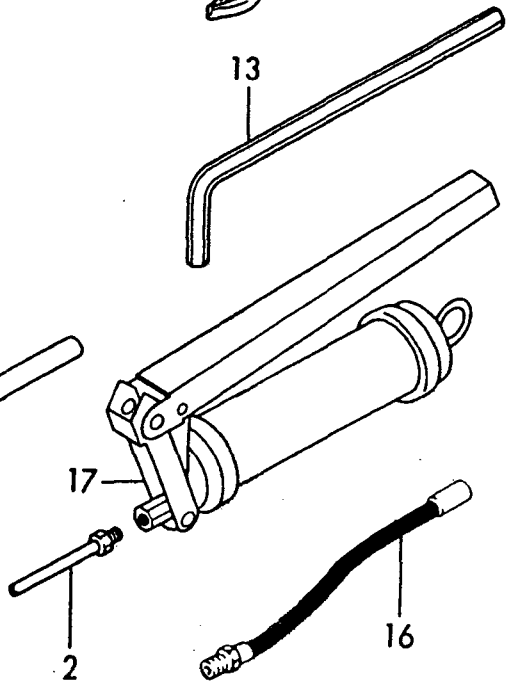
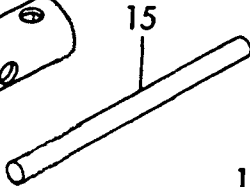
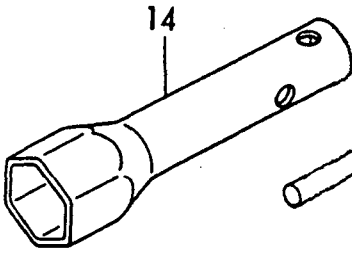
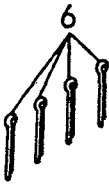
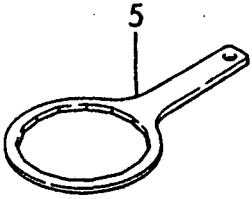
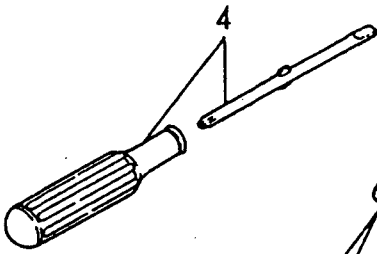
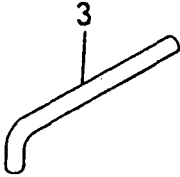
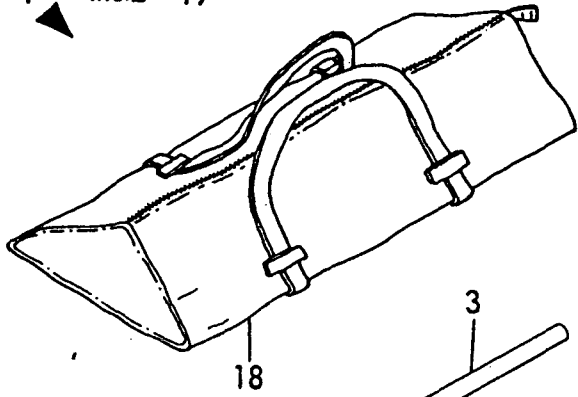
1 inc. 2~40



1,1,,772141-05100,, "TOOL SET",1,1,,,,,,,,,,,,,  
2,2,,172122-05100,, NOZZLE,1,1,,,,,,,,,,,,,  
3,2,,172614-38300,, "PIN 5X45, LOCK",4,4,,,,,,,,,,,,,  
4,2,,104200-92350,, "DRIVER, SCREW",1,1,,,,,,,,,,,,,  
5,2,,171301-92750,, "WRENCH, FILTER",1,1,,,,,,,,,,,,,  
6,2,,22417-800500,, "COTTER PIN 8.0X50",4,4,,,,,,,,,,,,,  
7,2,,28110-080100,, "WRENCH 8X10",1,1,,,,,,,,,,,,,  
8,2,,28110-120140,, "WRENCH 12X14",1,1,,,,,,,,,,,,,  
9,2,,28110-170190,, "WRENCH 17X19",1,1,,,,,,,,,,,,,  
10,2,,28110-220240,, "WRENCH 22X24",1,1,,,,,,,,,,,,,  
11,2,,28110-270300,, "WRENCH 27X30",1,1,,,,,,,,,,,,,  
12,2,,28110-320360,, "WRENCH 32X36",1,1,,,,,,,,,,,,,  
13,2,,28150-080000,, "BAR WRENCH 8",1,1,,,,,,,,,,,,,  
14,2,,28227-271400,, "BOX WRENCH 27X140",1,1,,,,,,,,,,,,,  
15,2,,28230-120250,, "TURNING HANDLE",1,1,,,,,,,,,,,,,  
16,2,,933110-09700,, "HOSE, GREASE",1,1,,,,,,,,,,,,,  
17,2,,933110-09800,, "GUN 800, GREASE",1,1,,,,,,,,,,,,,  
18,2,,933110-90000,, "BAG, TOOL",1,1,,,,,,,,,,,,,  
19,2,,933171-00470,, "PLIER (200)",1,1,,,,,,,,,,,,,  
20,1,,172141-07100,, SUPPORT,,1,,,,,1,,,,,,,,,,,,,  
21,1,,172119-68600,, BUCK,,1,,,,,1,,,,,,,,,,,,,  
22,1,,22117-080000,, "WASHER 8",,2,,,,,1,,,,,,,,,,,,,  
23,1,,26116-080162,, "BOLT M 8X 16 PLATED",,2,,,,,1,,,,,,,,,,,,,  
24,1,,22857-400120,, "SCREW 4X12",,2,,,,,1,,,,,,,,,,,,

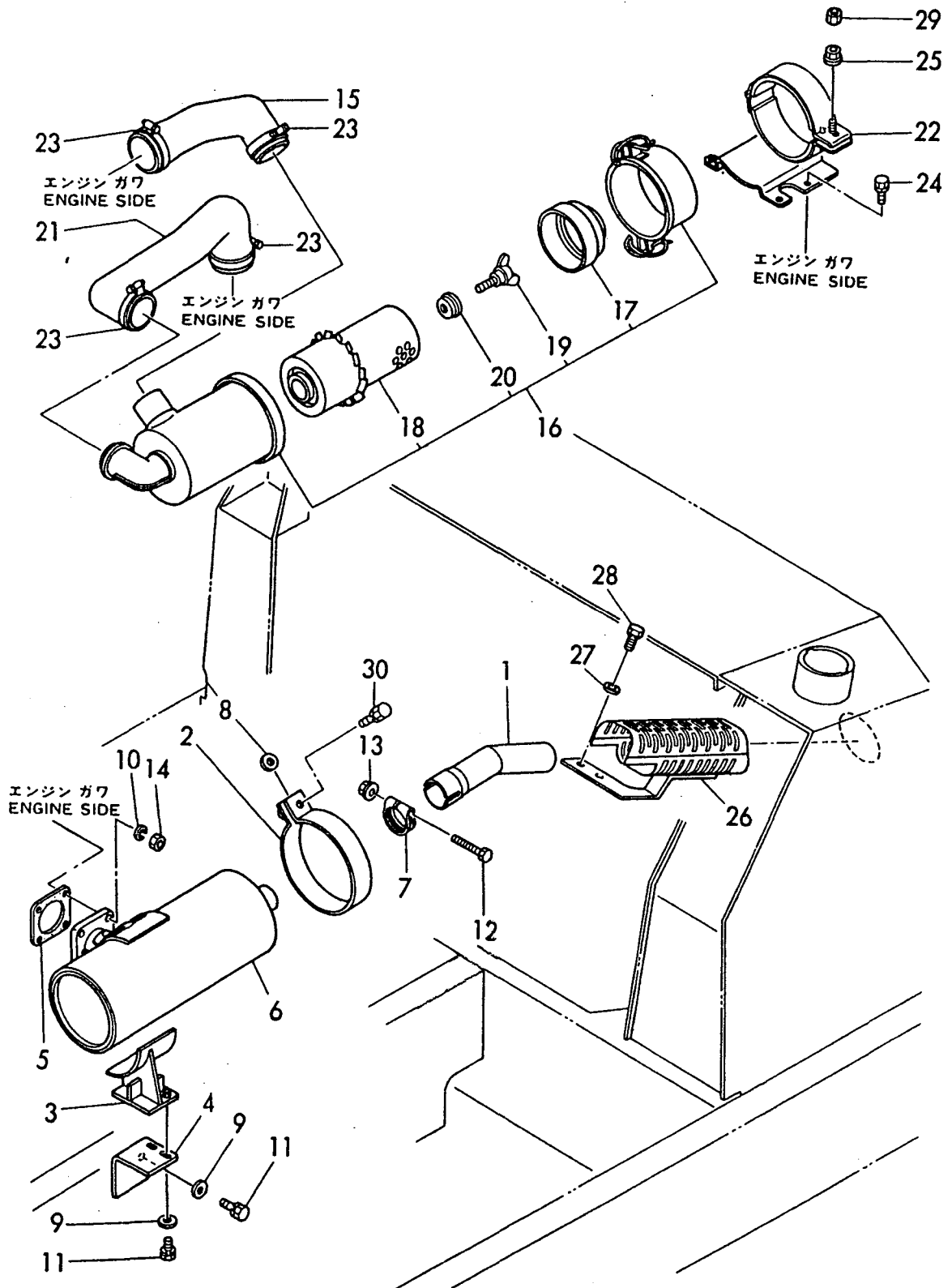
Fig. 4 コウグ & マニュアルケース  
TOOL & MANUAL CASE

1 inc.2~19



1,1,,172141-11300,, "PIPE, EXHAUST",1,1,,,,,,,,,,,,,,,,,,,,,  
2,1,,172519-11350,, "BAND, SILENCER",1,1,,,,,,,,,,,,,,,,,,,,,  
3,1,,172141-11400,, "SUPPORT, SILENCER",1,1,,,,,,,,,,,,,,,,,,,,,  
4,1,,172141-11470,, "STAY, SILENCER",1,1,,,,,,,,,,,,,,,,,,,,,  
5,1,,124701-11910,, "GASKET, SILENCER",1,1,,,,,,,,,,,,,,,,,,,,,  
6,1,,119831-13500,, SILENCER,1,1,,,,,,,,,,,,,,,,,,,,,  
7,1,,124664-13580,, CLAMP,1,1,,,,,,,,,,,,,,,,,,,,,  
8,1,,172112-42090,, "WASHER, STOPPER",1,1,,,,,,,,,,,,,,,,,,,,,  
9,1,,22137-080000,, "WASHER 8",4,4,,,,,,,,,,,,,,,,,,,,,  
10,1,,22217-080000,, "SPRING WASHER 8",4,4,,,,,,,,,,,,,,,,,,,,,  
11,1,,26013-080252,, "BOLT M 8X 25",4,4,,,,,,,,,,,,,,,,,,,,,  
12,1,,26106-080552,, "BOLT M 8X 55 PLATED",1,1,,,,,,,,,,,,,,,,,,,,,  
13,1,,26366-080002,, "NUT M 8",1,1,,,,,,,,,,,,,,,,,,,,,  
14,1,,26717-080002,, "NUT M 8",4,4,,,,,,,,,,,,,,,,,,,,,  
15,1,,172141-11500,, "HOSE, SUCTION",1,1,,,,,,,,,,,,,,,,,,,,,  
16,1,,119831-12500,, "CLEANER ASSY, AIR",1,1,,,,,,,,,,,,,,,,,,,,,  
17,2,,121465-12700,, RETAINER,1,1,,,,,,,,,,,,,,,,,,,,,  
18,2,,121465-12510,, "ELEMENT, AIR CLEANER",1,1,,,,,,,,,,,,,,,,,,,,,  
19,2,,124064-12680,, "BOLT, WING",1,1,,,,,,,,,,,,,,,,,,,,,  
20,2,,124064-12690,, WASHER,1,1,,,,,,,,,,,,,,,,,,,,,  
21,1,,119831-12550,, "PIPE, SUCTION",1,1,,,,,,,,,,,,,,,,,,,,,  
22,1,,119831-12560,, "SUPPORT,AIR CLEANER",1,1,,,,,,,,,,,,,,,,,,,,,  
23,1,,23000-060000,, "CLAMP 60",4,4,,,,,,,,,,,,,,,,,,,,,  
24,1,,26106-080162,, "BOLT M 8X 16 PLATED",3,3,,,,,,,,,,,,,,,,,,,,,  
25,1,,26366-080002,, "NUT M 8",1,1,,,,,,72161003,,72161003,,72161003,,,,,,I  
26,1,,172141-11310,, COVER,1,1,,,,,,,,,,,,,,,,,,,,,  
27,1,,22137-100000,, "WASHER 10",2,2,,,,,,,,,,,,,,,,,,,,,  
28,1,,26013-100202,, "BOLT M10X 20",2,2,,,,,,,,,,,,,,,,,,,,,  
29,1,,26716-080002,, "NUT M 8",1,1,,,,,,,,,,,,,,,,,,,,,  
30,1,,26013-100302,, "BOLT M10X 30",1,1,,,,,,,,,,,,,,,,,,,,,

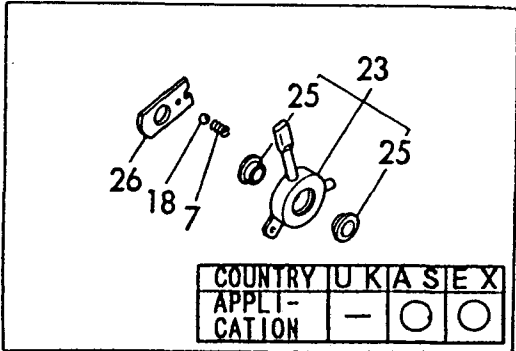
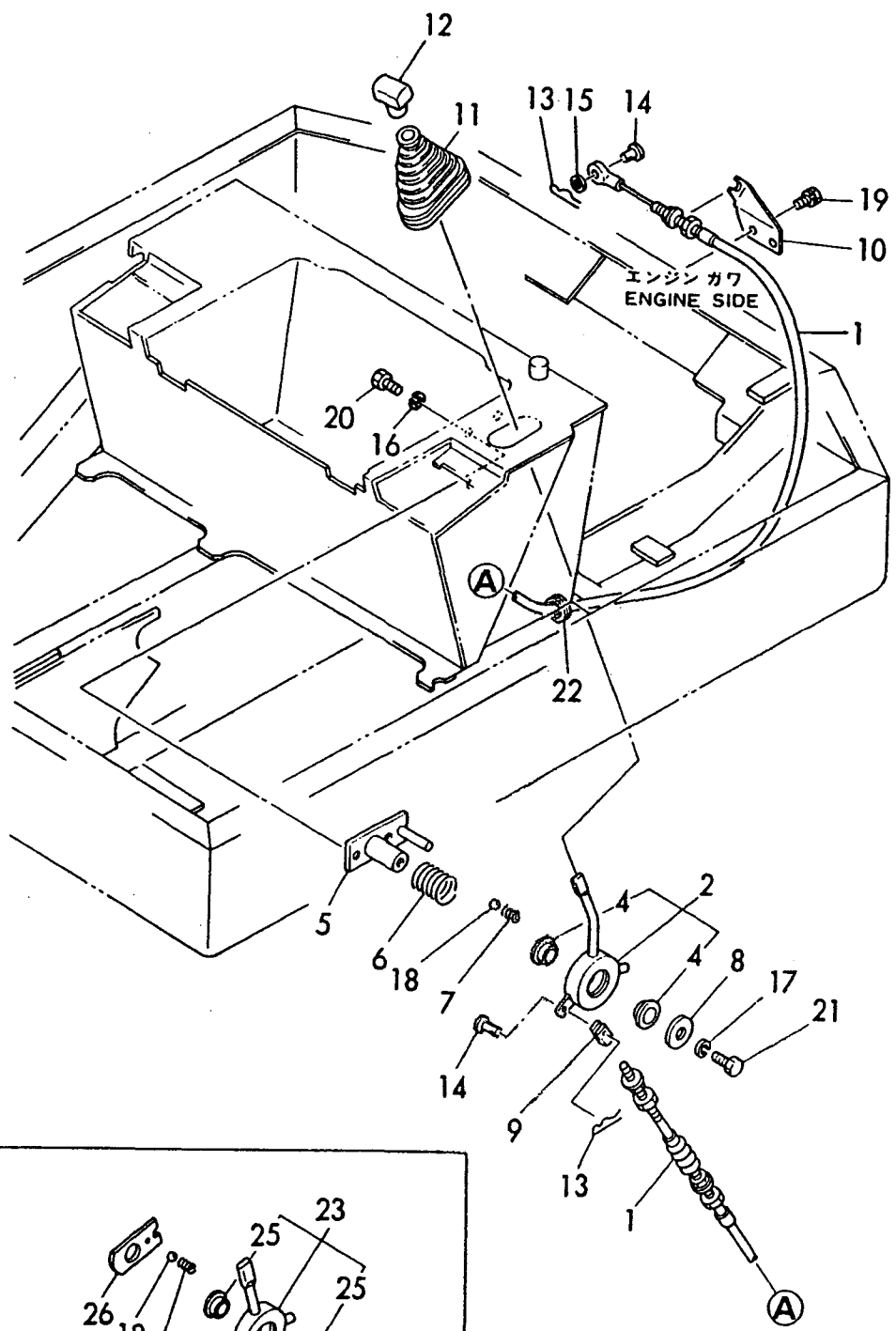
**Fig. 5** エアクリーナ&サイレンサ  
**AIR CLEANER & SILENCER**



1,1,,172137-12110,, "CABLE, THROTTLE",1,1,,,,,,,,,,,,,  
2,1,,172142-12150,, "LEVER W/BUSH,ACCEL T",1,1,,,,,,,,,,,,,  
4,2,,172141-12220,, "BUSH 30X10",2,2,,,,,,,,,,,,,  
5,1,,172141-12160,, BRACKET,1,1,,,,,,,,,,,,,  
6,1,,172141-12232,, SPRING,1,1,,,,,,,,,,,,,  
7,1,,172141-12240,, SPRING,1,1,,,,,,,,,,,,,  
8,1,,172141-12250,, PLATE,1,1,,,,,,,,,,,,,  
9,1,,172137-12270,, "JOINT, CABLE",1,1,,,,,,,,,,,,,  
10,1,,172141-12280,, "CLAMP, ACCEL WIRE",1,1,,,,,,,,,,,,,  
11,1,,172141-41340,, BOOTS,1,1,,,,,,,,,,,,,  
12,1,,172122-46630,, "KNOB(D), LEVER",1,1,,,,,,,,,,,,,  
13,1,,1C6281-52310,, "PIN 6,COME-OFF SNAP",2,2,,,,,,,,,,,,,  
14,1,,1A1040-56900,, "PIN 6X 17",2,2,,,,,,,,,,,,,  
15,1,,22137-060000,, "WASHER 6",1,1,,,,,,,,,,,,,  
16,1,,22217-100000,, "SPRING WASHER 10",2,2,,,,,,,,,,,,,  
17,1,,22217-100000,, "SPRING WASHER 10",1,1,,,,,,,,,,,,,  
18,1,,24190-160001,, "BALL 1/2",1,1,,,,,,,,,,,,,  
19,1,,26013-080162,, "BOLT M 8X 16",2,2,,,,,,,,,,,,,  
20,1,,26116-100202,, "BOLT M10X 20 PLATED",2,2,,,,,,,,,,,,,  
21,1,,26116-100302,, "BOLT M10X 30 PLATED",1,1,,,,,,,,,,,,,  
22,1,,933171-15680,, "GROMMET 40X13",1,1,,,,,,,,,,,,,  
23,1,,172141-12100,, "LEVER W/BUSH, ACCEL",1,1,,,,,1,,,,,,,,,,,,,  
25,2,,172141-12220,, "BUSH 30X10",2,2,,,,,1,,,,,,,,,,,,,  
26,1,,172141-12260,, PLATE,1,1,,,,,1,,,,,,,,,,,,,



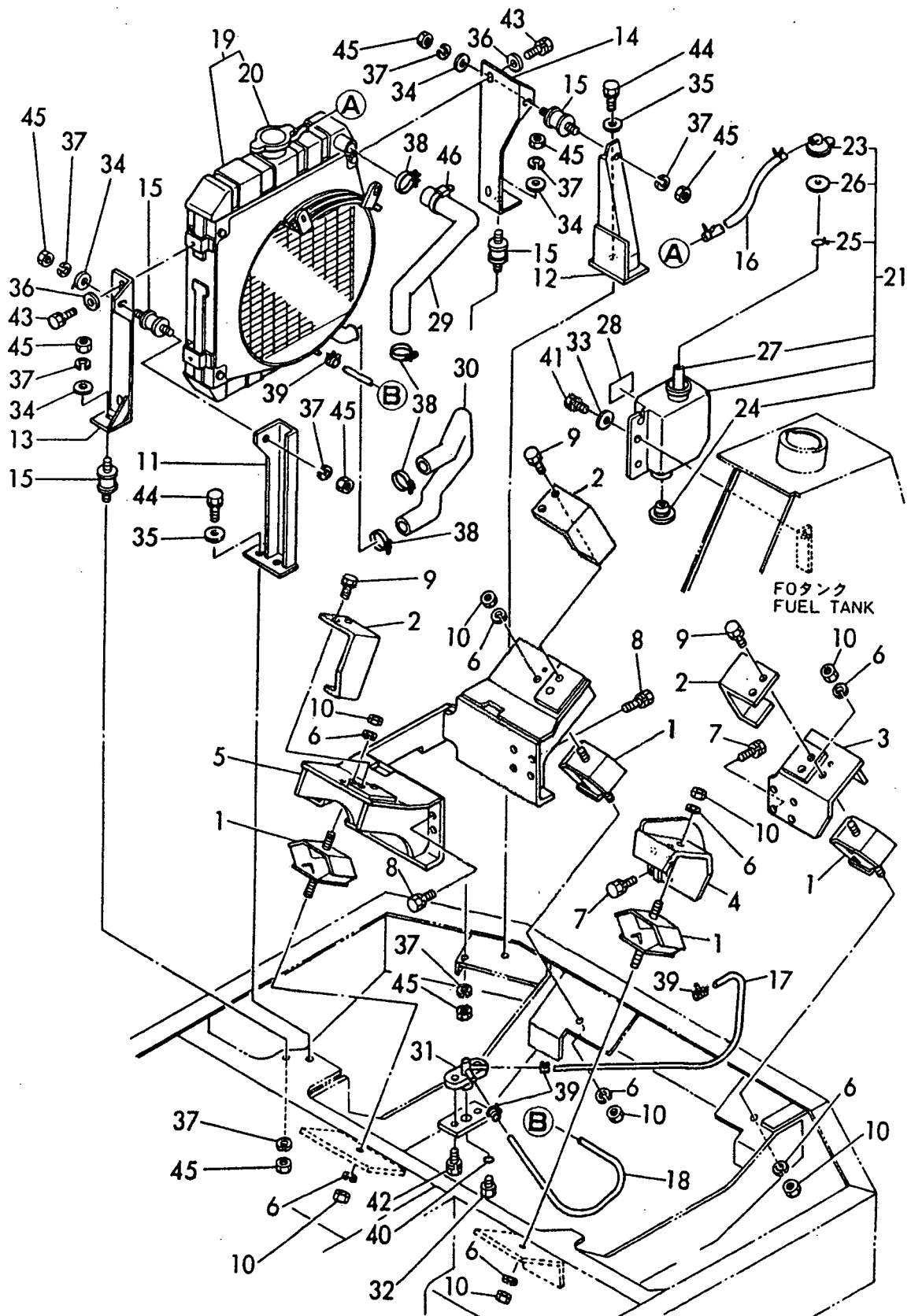
Fig. 6 アクセル ACCELERATOR



COUNTRY	U	K	A	S	E	X
APPLI-CATION	-	○	○	○	○	○

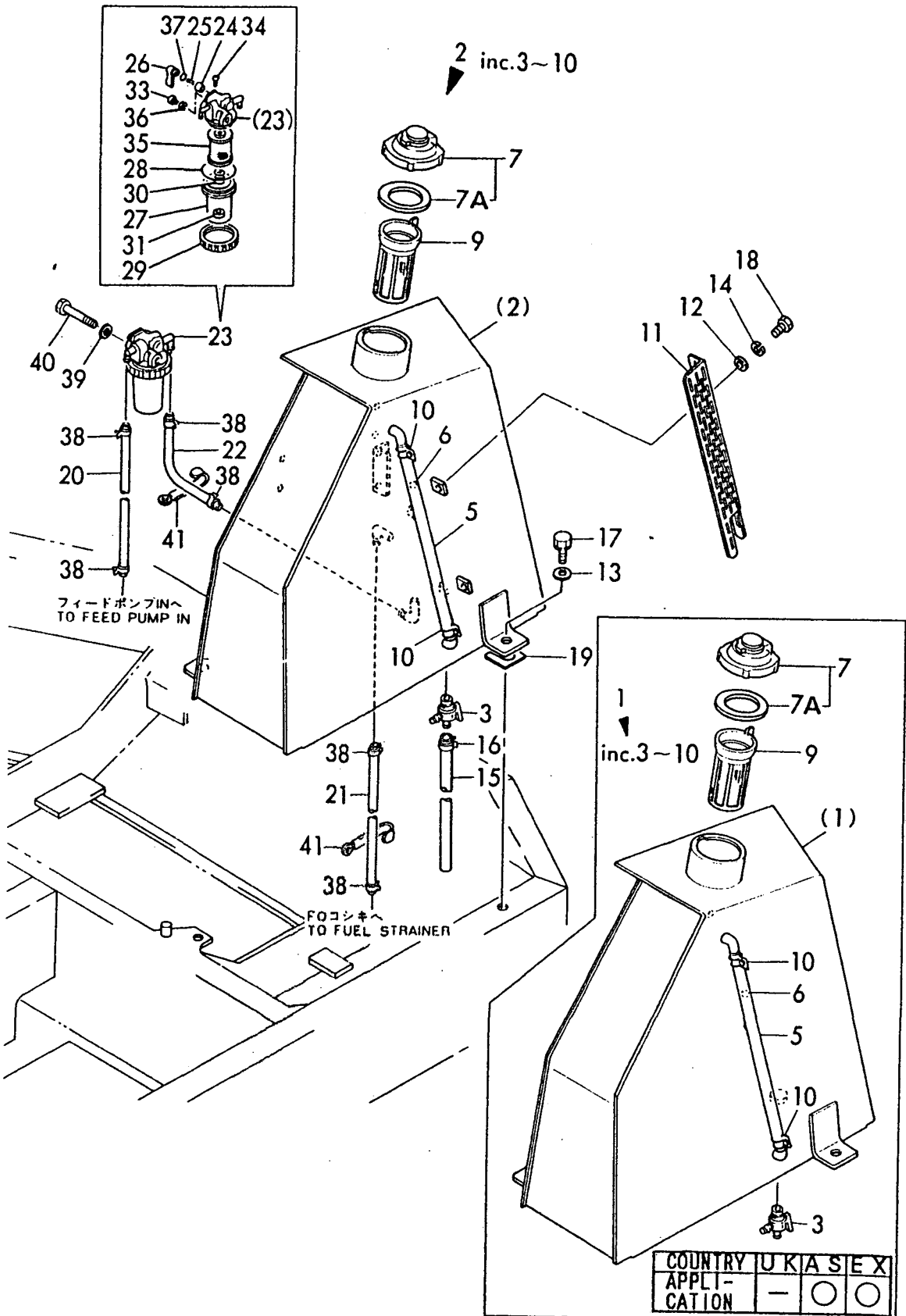
1,1,,196420-02310,, "ABSORBER, SHOCK",4,4,,,,,,,,,,,,,  
2,1,,172141-13010,, "STOPER, ENGINE",3,3,,,,,,,,,,,,,  
3,1,,172141-13030,, "BRACKET(L.R), ENGINE",1,1,,,,,,,,,,,,,  
4,1,,172141-13271,, "BRACKET(L.F), ENGINE",1,1,,,,,,,,,,,,,  
5,1,,172141-13100,, "BRACKET(R), ENGINE",1,1,,,,,,,,,,,,,  
6,1,,22217-120000,, "SPRING WASHER 12",8,8,,,,,,,,,,,,,  
7,1,,26013-100252,, "BOLT M10X 25",8,8,,,,,,,,,,,,,  
8,1,,26013-120252,, "BOLT M12X 25",8,8,,,,,,,,,,,,,  
9,1,,26013-120302,, "BOLT M12X 30",6,6,,,,,,,,,,,,,  
10,1,,26716-120002,, "NUT M12",8,8,,,,,,,,,,,,,  
11,1,,172141-13300,, "MOUNT(F), RADIATOR",1,1,,,,,,,,,,,,,  
12,1,,172141-13340,, "MOUNT(R), RADIATOR",1,1,,,,,,,,,,,,,  
13,1,,172141-13410,, "BRACKET(F), RADIATOR",1,1,,,,,,,,,,,,,  
14,1,,172141-13420,, "BRACKET(R), RADIATOR",1,1,,,,,,,,,,,,,  
15,1,,172124-13500,, "MOUNT, RADIATOR",4,4,,,,,,,,,,,,,  
16,1,,172141-13500,, "HOSE, SUB-TANK",1,1,,,,,,,,,,,,,  
17,1,,172137-13430,, "PIPE (B), DRAIN",1,1,,,,,,,,,,,,,  
18,1,,172124-14650,, "HOSE L=1100, FUEL",1,1,,,,,,,,,,,,,  
19,1,,119831-44500,, "RADIATOR",1,1,,,,,,,,,,,,,  
20,2,,124450-44590,, "CAP, RADIATOR",1,1,,,,,,,,,,,,,  
21,1,,121468-44510,, "SUB RESERVOIR ASSY",1,1,,,,,,,,,,,,,  
23,2,,121450-44531,, "CAP",1,1,,,,,,,,,,,,,  
24,2,,121468-44540,, "PLUG, SUB TANK",1,1,,,,,,,,,,,,,  
25,2,,124450-44560,, "CLAMP",1,1,,,,,,,,,,,,,  
26,2,,121470-44581,, "GASKET",1,1,,,,,,,,,,,,,  
27,2,,23065-070130,, "PIPE 7X 130",1,1,,,,,,,,,,,,,  
28,1,,121470-44540,, "LABEL, SUB-TANK",1,1,,,,,,,,,,,,,  
29,1,,119280-49010,, "PIPE A",1,1,,,,,,,,,,,,,  
30,1,,171301-49020,, "PIPE (B), C. WATER",1,1,,,,,,,,,,,,,  
31,1,,172124-13440,, "COCK",1,1,,,,,,,,,,,,,  
32,1,,172124-13450,, "PLUG",1,1,,,,,,72161011,,72161011,,72161011,,,,,,I  
33,1,,22137-060000,, "WASHER 6",2,2,,,,,,,,,,,,,  
34,1,,22137-080000,, "WASHER 8",4,4,,,,,,,,,,,,,  
35,1,,22137-080000,, "WASHER 8",4,4,,,,,,,,,,,,,  
36,1,,22137-080000,, "WASHER 8",4,4,,,,,,,,,,,,,  
37,1,,22217-080000,, "SPRING WASHER 8",8,8,,,,,,,,,,,,,  
38,1,,23010-038000,, "CLAMP 38",4,4,,,,,,,,,,,,,  
39,1,,23080-012000,, "CLAMP 12",4,4,,,,,,,,,,,,,  
40,1,,24311-000160,, "O-RING 1A P-  
16.0",1,1,,,,,,72161011,,72161011,,72161011,,,,,,I  
41,1,,26013-060162,, "BOLT M 6X 16",2,2,,,,,,,,,,,,,  
42,1,,26013-080162,, "BOLT M 8X 16",2,2,,,,,,,,,,,,,  
43,1,,26013-080202,, "BOLT M 8X 20",4,4,,,,,,,,,,,,,  
44,1,,26013-080252,, "BOLT M 8X 25",4,4,,,,,,,,,,,,,  
45,1,,26716-080002,, "NUT M 8",8,8,,,,,,,,,,,,,  
46,1,,933152-09280,, "BAND 170",2,2,,,,,,,,,,,,,

Fig. 7 エンジンマウント & ラジエータ  
ENGINE MOUNT & RADIATOR



1,1,,772141-14100,, "TANK ASSY, FUEL",1,1,,,,,1,,,,,  
2,1,,772141-14110,, "FUEL TANK ASSY",1,1,,,,,  
3,2,,104200-11920,, COCK,1,1,,,,,  
5,2,,172141-14250,, "GAUGE, FUEL",1,1,,,,,  
6,2,,172141-14260,, FLOAT,1,1,,,,,  
7,2,,172122-14300,, "CAP, FUEL TANK",1,1,,,,,  
7A,3,,105430-55070,, GASKET,1,1,,,,,  
9,2,,101504-55101,, "STRAINER, FUEL INLET",1,1,,,,,  
10,2,,23010-014000,, "CLAMP 14",2,2,,,,,  
11,1,,172141-14330,, "PROTECTOR, GAUGE",1,1,,,,,  
12,1,,22137-080000,, "WASHER 8",2,2,,,,,  
13,1,,22137-120000,, "WASHER 12",3,3,,,,,  
14,1,,22217-080000,, "SPRING WASHER 8",2,2,,,,,  
15,1,,23061-100230,, "PIPE 10X 230",1,1,,,,,  
16,1,,23080-013000,, "CLAMP 13, HOSE",1,1,,,,,  
17,1,,26013-120352,, "BOLT M12X 35",3,3,,,,,  
18,1,,26116-080162,, "BOLT M 8X 16 PLATED",2,2,,,,,  
19,1,,933169-22940,, "SPACER, RESERVOIR",1,1,,,,,  
20,1,,172137-13430,, "PIPE (B), DRAIN",1,1,,,,,  
21,1,,172116-14620,, "PIPE (B), FUEL",1,1,,,,,  
22,1,,172141-14620,, "HOSE, FUEL",1,1,,,,,  
23,1,,129335-55700,, "SEPARATOR, WATER",1,1,,,,,  
24,2,,104200-55321,, "VALVE, TAPER",1,1,,,,,  
25,2,,104200-55330,, "SPRING, TAPER VALVE",1,1,,,,,  
26,2,,104200-55341,, "HANDLE, COCK",1,1,,,,,  
27,2,,124064-55510,, "BOWL, FUEL STRAINER",1,1,,,,,  
28,2,,102103-55520,, O-RING,1,1,,,,,  
29,2,,110250-55610,, "RING, RETAINING",1,1,,,,,  
30,2,,121257-55720,, "SPRING, SCREEN",1,1,,,,,  
31,2,,121257-55731,, FLOAT,1,1,,,,,  
33,2,,101720-55750,, "PLUG 6",2,2,,,,,  
34,2,,104200-55750,, "SCREW M 4",1,1,,,,,  
35,2,,171081-55910,, SCREEN,1,1,,,,,  
36,2,,23418-060000,, "GASKET 6, NYLON",2,2,,,,,  
37,2,,24311-240100,, "O-RING 1A P-10A",1,1,,,,,  
38,1,,124766-59050,, "CLAMP 12",6,6,,,,,  
39,1,,22137-080000,, "WASHER 8",1,1,,,,,  
40,1,,26116-080652,, "BOLT M 8X 65 PLATED",1,1,,,,,  
41,1,,172126-16540,, "CLAMP 10X70",2,2,,,,,

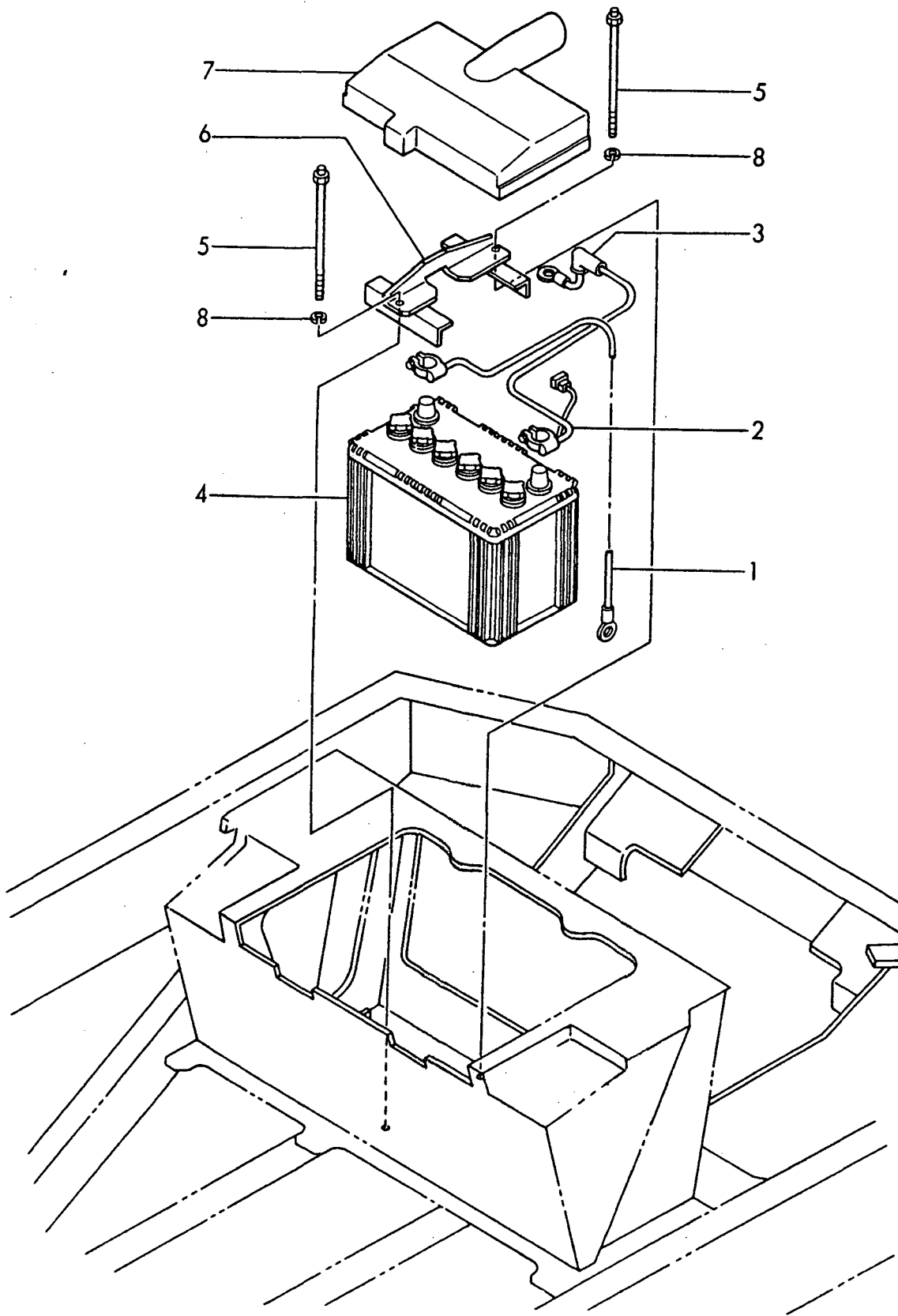
Fig. 8 FOタンク & FOパイプ  
FUEL TANK & FUEL LINE



COUNTRY	U	K	A	S	E	X
APPLI- CATION	-	○	○	○	○	○

1,1,,172141-16140,, "HARNESS, BATTERY(-)",1,1,,,,,,,,,,,,,  
2,1,,172141-16160,, "HARNESS, BATTERY(+)",1,1,,,,,,,,,,,,,  
3,1,,124550-77030,, "COVER, TERMINAL",1,1,,,,,,,,,,,,,  
4,1,,933113-01500,, "BATTERY (N70Z)",1,1,,,,,,,,,,,,,  
5,1,,172310-16080,, "BOLT, BATTERY",2,2,,,,,,,,,,,,,  
6,1,,172141-16110,, "CLAMP, BATTERY",1,1,,,,,,,,,,,,,  
7,1,,172141-16130,, "COVER, BATTERY",1,1,,,,,,,,,,,,,  
8,1,,22217-080000,, "SPRING WASHER 8",2,2,,,,,,,,,,,,,

Fig. 9 バッテリー BATTERY

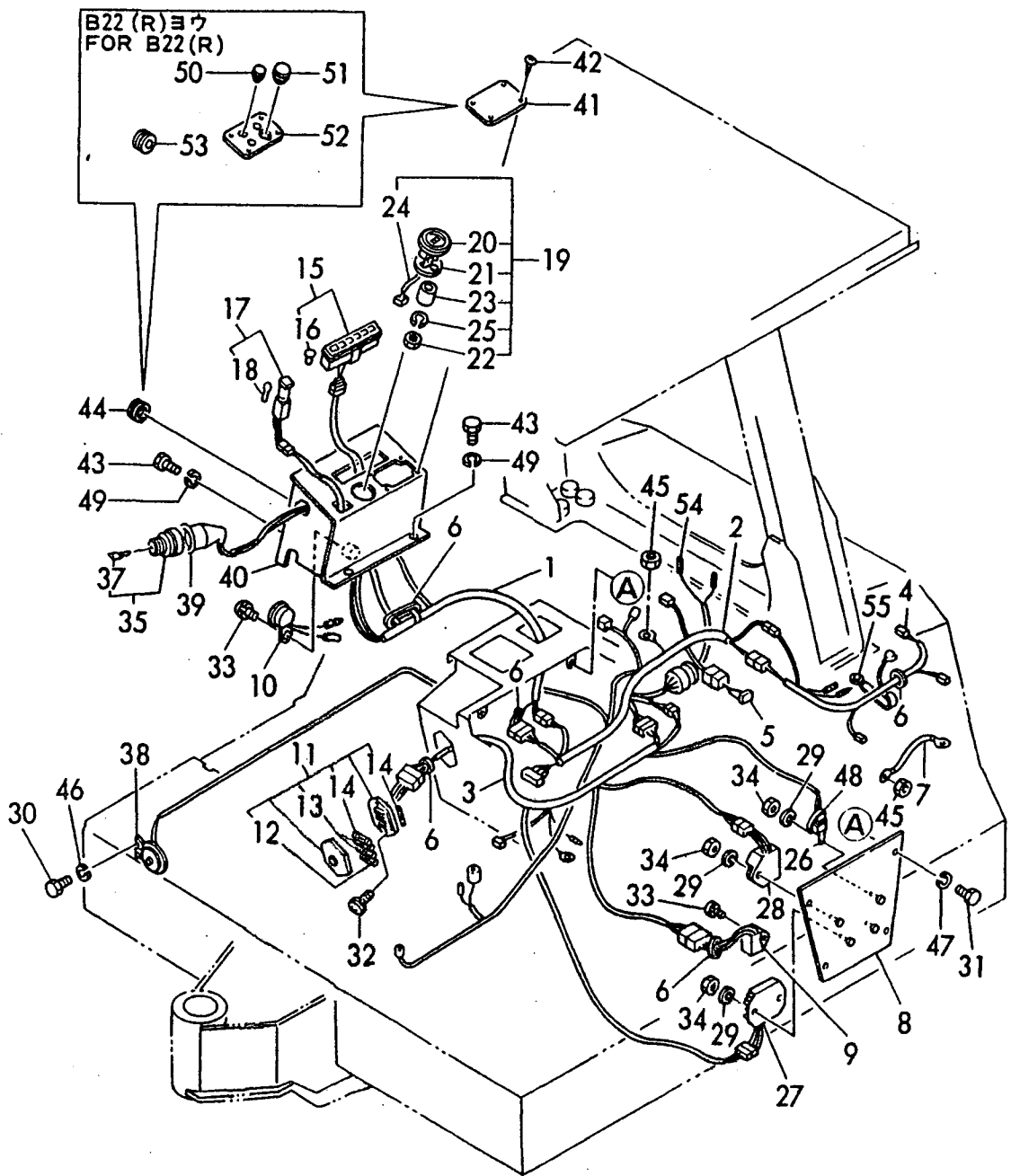


1,1,,172142-16500,, "HARNESS(A), WIRE",1,1,,,,,,,,,,,,,  
2,1,,172141-16521,, "HARNESS(B), WIRE",1,1,,,,,,,,,,,,,  
3,1,,172141-16541,, "HARNESS(D), WIRE",1,1,,,,,,,,,,,,,  
4,1,,172141-16550,, "HARNESS(E), WIRE",1,1,,,,,,,,,,,,,  
5,1,,172122-16570,, "LINK, FUSIBLE",1,1,,,,,,,,,,,,,  
6,1,,933168-55770,, "BAND 146",5,5,,,,,,,,,,,,,  
7,1,,933171-15801,, "WIRE, EARTH",1,1,,,,,,,,,,,,,  
8,1,,172141-17110,, "PLATE",1,1,,,,,,,,,,,,,  
9,1,,172141-17141,, "UNIT, CHECKER",1,1,,,,,,,,,,,,,  
10,1,,172141-17150,, "BUZZER",1,1,,,,,,,,,,,,,  
11,1,,172141-17160,, "BOX, FUSE",1,1,,,,,,,,,,,,,  
12,2,,29411-050000,, "FUSE ( 5A), CARTRIDGE",1,1,,,,,,,,,,,,,  
13,2,,29411-100000,, "FUSE (10A), CARTRIDGE",2,2,,,,,,,,,,,,,  
14,2,,29411-150000,, "FUSE (15A), CARTRIDGE",2,2,,,,,,,,,,,,,  
15,1,,172141-17171,, "BOX, PILOT",1,1,,,,,,,,,,,,,  
16,2,,933113-05120,, "BULB 12V 1.7W",3,3,,,,,,,,,,,,,  
17,1,,172141-17190,, "SWITCH, WORK LAMP",1,1,,,,,,,,,,,,,  
18,2,,933113-05120,, "BULB 12V 1.7W",1,1,,,,,,,,,,,,,  
19,1,,172147-17200,, "METER, HOUR",1,1,,,,,,,,,,,,,  
20,2,,172147-17210,, "CASE, HOUR METER",1,1,,,,,,,,,,,,,  
21,2,,172147-17220,, "CAP, HOUR METER",1,1,,,,,,,,,,,,,  
22,2,,172147-17230,, "NUT",2,2,,,,,,,,,,,,,  
23,2,,172147-17240,, "SLEEVE",2,2,,,,,,,,,,,,,  
24,2,,172147-17250,, "WIRE, LEAD",1,1,,,,,,,,,,,,,  
25,2,,22217-050000,, "SPRING WASHER 5",2,2,,,,,,,,,,,,,  
26,1,,121522-77101,, "RELAY",1,1,,,,,,,,,,,,,  
27,1,,119640-77711,, "LIMITER, CURRENT",1,1,,,,,,,,,,,,,  
28,1,,121522-77721,, "INDICATOR, CHARGING",1,1,,,,,,,,,,,,,  
29,1,,22217-060000,, "SPRING WASHER 6",4,4,,,,,,,,,,,,,  
30,1,,26116-060122,, "BOLT M 6X 12 PLATED",2,2,,,,,,,,,,,,,  
31,1,,26116-100162,, "BOLT M10X 16 PLATED",4,4,,,,,,,,,,,,,  
32,1,,26022-050162,, "SCREW M 5X 16",2,2,,,,,,,,,,,,,  
33,1,,26022-060122,, "SCREW M 6X 12",2,2,,,,,,,,,,,,,  
34,1,,26716-060002,, "NUT M 6",4,4,,,,,,,,,,,,,  
35,1,,933110-00100,, "SWITCH ASSY, STARTER",1,1,,,,,,,,,,,,,  
37,2,,933110-00301,, "KEY ASSY",1,1,,,,,,,,,,,,,  
38,1,,933110-05300,, "HORN",1,1,,,,,,,,,,,,,  
39,1,,933113-15900,, "COVER, SWITCH TERMI.",1,1,,,,,,,,,,,,,  
40,1,,172143-63100,, "PANEL ASSY",1,1,,,,,,,,,,,,,  
41,1,,172143-63140,, "COVER, PANEL",1,1,,,,,,,,,,,,,  
42,1,,22857-400100,, "SCREW 4X10",4,4,,,,,,,,,,,,,  
43,1,,26116-100202,, "BOLT M10X 20 PLATED",4,4,,,,,,,,,,,,,  
44,1,,172112-69790,, "PLUG 32X2",1,1,,,,,,,,,,,,,  
45,1,,26716-100002,, "NUT M10",2,2,,,,,,,,,,,,,  
46,1,,22217-060000,, "SPRING WASHER 6",2,2,,,,,,,,,,,,,  
47,1,,22217-100000,, "SPRING WASHER 10",4,4,,,,,,,,,,,,,  
48,1,,933168-55770,, "BAND 146",4,4,,,,,,,,,,,,,  
49,1,,22217-100000,, "SPRING WASHER 10",4,4,,,,,,,,,,,,,  
50,1,,172111-16890,, "GROMMET 9",1,1,,,,,,,,,,,,,  
51,1,,172312-17260,, "GROMMET 22X2.3",1,1,,,,,,,,,,,,,  
52,1,,172143-63130,, "COVER, IN-PAME",1,1,,,,,,,,,,,,,  
53,1,,933171-15680,, "GROMMET 40X13",1,1,,,,,,,,,,,,,  
54,1,,172143-16590,, "HARNESS C",1,1,,,,,,,,,,,,,  
55,1,,172126-16540,, "CLAMP 10X70",4,4,,,,,,,,,,,,,



Fig. 10 デンソウヒン  
ELECTRIC PART

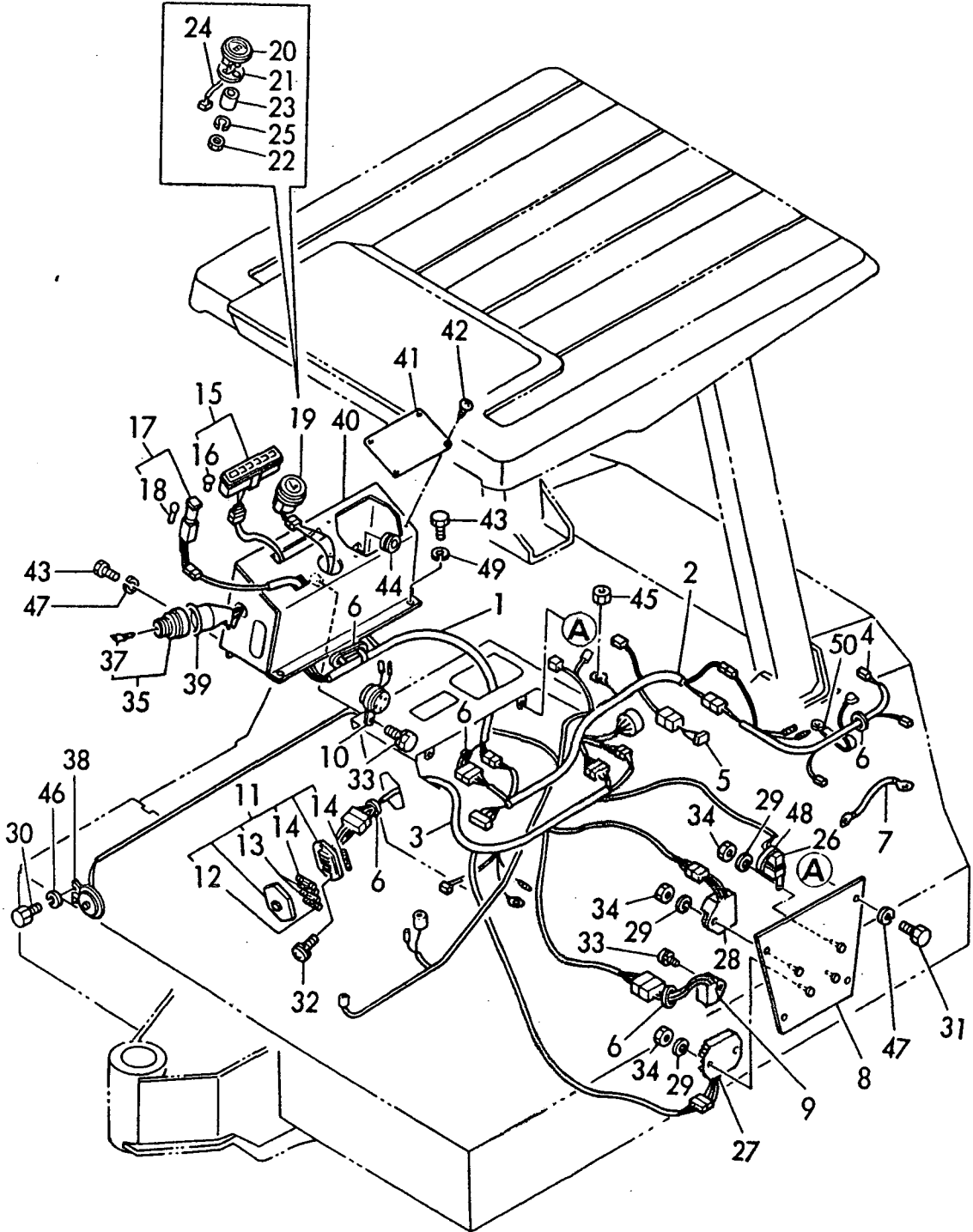
COUNTRY	U K	A S	EX
Fig.No.	10	11.12	11.12



1,1,,172142-16500,, "HARNESS(A), WIRE",1,,,,,,,,,,,,,  
2,1,,172141-16521,, "HARNESS(B), WIRE",1,,,,,,,,,,,,,  
3,1,,172141-16541,, "HARNESS(D), WIRE",1,,,,,,,,,,,,,  
4,1,,172141-16550,, "HARNESS(E), WIRE",1,,,,,,,,,,,,,  
5,1,,172122-16570,, "LINK, FUSIBLE",1,,,,,,,,,,,,,  
6,1,,933168-55770,, "BAND 146",5,,,,,,,,,,,,,  
7,1,,933171-15801,, "WIRE, EARTH",1,,,,,,,,,,,,,  
8,1,,172141-17110,, PLATE,1,,,,,,,,,,,,,  
9,1,,172141-17141,, "UNIT, CHECKER",1,,,,,,,,,,,,,  
10,1,,172141-17150,, BUZZER,1,,,,,,,,,,,,,  
11,1,,172141-17160,, "BOX, FUSE",1,,,,,,,,,,,,,  
12,2,,29411-050000,, "FUSE ( 5A), CARTRIDGE",1,,,,,,,,,,,,,  
13,2,,29411-100000,, "FUSE (10A), CARTRIDGE",2,,,,,,,,,,,,,  
14,2,,29411-150000,, "FUSE (15A), CARTRIDGE",2,,,,,,,,,,,,,  
15,1,,172141-17171,, "BOX, PILOT",1,,,,,,,,,,,,,  
16,2,,933113-05120,, "BULB 12V 1.7W",3,,,,,,,,,,,,,  
17,1,,172141-17190,, "SWITCH, WORK LAMP",1,,,,,,,,,,,,,  
18,2,,933113-05120,, "BULB 12V 1.7W",1,,,,,,,,,,,,,  
19,1,,172147-17200,, "METER, HOUR",1,,,,,,,,,,,,,  
20,2,,172147-17210,, "CASE, HOUR METER",1,,,,,,,,,,,,,  
21,2,,172147-17220,, "CAP, HOUR METER",1,,,,,,,,,,,,,  
22,2,,172147-17230,, NUT,2,,,,,,,,,,,,,  
23,2,,172147-17240,, SLEEVE,2,,,,,,,,,,,,,  
24,2,,172147-17250,, "WIRE, LEAD",1,,,,,,,,,,,,,  
25,2,,22217-050000,, "SPRING WASHER 5",2,,,,,,,,,,,,,  
26,1,,121522-77101,, RELAY,1,,,,,,,,,,,,,  
27,1,,119640-77711,, "LIMITER, CURRENT",1,,,,,,,,,,,,,  
28,1,,121522-77721,, "INDICATOR, CHARGING",1,,,,,,,,,,,,,  
29,1,,22217-060000,, "SPRING WASHER 6",4,,,,,,,,,,,,,  
30,1,,26116-060122,, "BOLT M 6X 12 PLATED",2,,,,,,,,,,,,,  
31,1,,26116-100162,, "BOLT M10X 16 PLATED",4,,,,,,,,,,,,,  
32,1,,26022-050162,, "SCREW M 5X 16",2,,,,,,,,,,,,,  
33,1,,26022-060122,, "SCREW M 6X 12",2,,,,,,,,,,,,,  
34,1,,26716-060002,, "NUT M 6",4,,,,,,,,,,,,,  
35,1,,933110-00100,, "SWITCH ASSY, STARTER",1,,,,,,,,,,,,,  
37,2,,933110-00301,, "KEY ASSY",1,,,,,,,,,,,,,  
38,1,,933110-05300,, HORN,1,,,,,,,,,,,,,  
39,1,,933113-15900,, "COVER, SWITCH TERMI.",1,,,,,,,,,,,,,  
40,1,,172141-63100,, PANEL,1,,,,,,,,,,,,,  
41,1,,172141-63140,, "COVER, IN-PANE",1,,,,,,,,,,,,,  
42,1,,22857-400100,, "SCREW 4X10",4,,,,,,,,,,,,,  
43,1,,26116-100202,, "BOLT M10X 20 PLATED",4,,,,,,,,,,,,,  
44,1,,172112-69790,, "PLUG 32X2",1,,,,,,,,,,,,,  
45,1,,26716-100002,, "NUT M10",1,,,,,,,,,,,,,  
46,1,,22217-060000,, "SPRING WASHER 6",2,,,,,,,,,,,,,  
47,1,,22217-100000,, "SPRING WASHER 10",4,,,,,,,,,,,,,  
48,1,,933168-55770,, "BAND 146",4,,,,,,,,,,,,,  
49,1,,22217-100000,, "SPRING WASHER 10",4,,,,,,,,,,,,,  
50,1,,172126-16540,, "CLAMP 10X70",4,,,,,,,,,,,,,  
51,1,,172141-63140,, "COVER, IN-PANE",1,,,,,,,,,,,,,

**Fig. 11** デンソウヒン(キャノピ)  
ELECTRIC PART (CANOPY SPEC.)

COUNTRY	U	K	A	S	E	X
Fig.No.	10	11	11	11	11	11

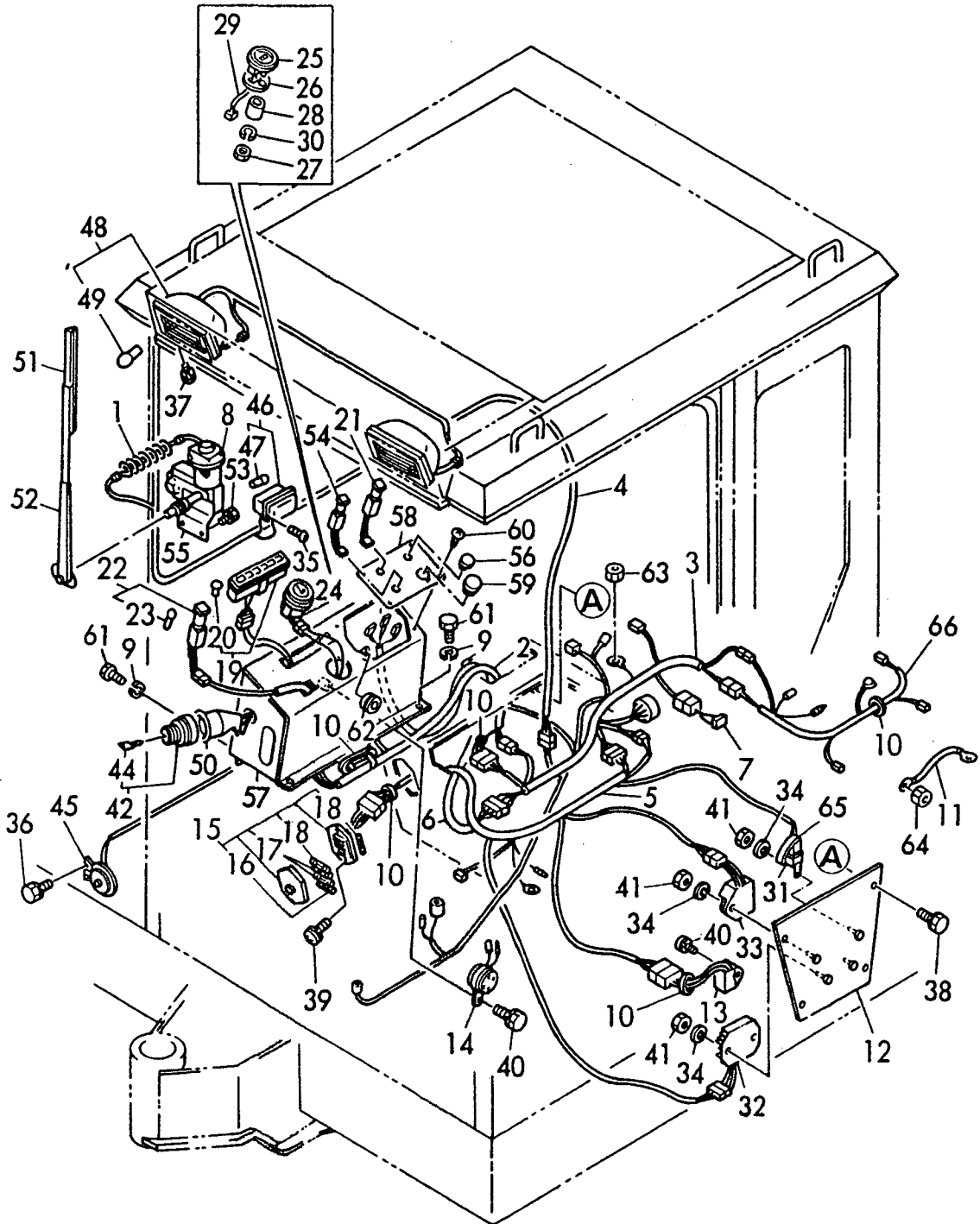


1,1,,172137-16000,,WIRE,,1,,,,,,,,,,,,,  
2,1,,172142-16500,,,"HARNESS(A), WIRE",,1,,,,,,,,,,,,,  
3,1,,172141-16521,,,"HARNESS(B), WIRE",,1,,,,,,,,,,,,,  
4,1,,172141-16530,,,"HARNESS(C), WIRE",,1,,,,,,,,,,,,,  
5,1,,172141-16541,,,"HARNESS(D), WIRE",,1,,,,,,,,,,,,,  
6,1,,172142-16540,,,"HARNESS(E), WIRE",,1,,,,,,,,,,,,,  
7,1,,172122-16570,,,"LINK, FUSIBLE",,1,,,,,,,,,,,,,  
8,1,,194250-51660,,,"BAND 250",,1,,,,,,,,,,,,,  
9,1,,22217-100000,,,"SPRING WASHER 10",,4,,,,,,,,,,,,,  
10,1,,933168-55770,,,"BAND 146",,5,,,,,,,,,,,,,  
11,1,,933171-15801,,,"WIRE, EARTH",,1,,,,,,,,,,,,,  
12,1,,172141-17110,,,"PLATE",,1,,,,,,,,,,,,,  
13,1,,172141-17141,,,"UNIT, CHECKER",,1,,,,,,,,,,,,,  
14,1,,172141-17150,,,"BUZZER",,1,,,,,,,,,,,,,  
15,1,,172141-17160,,,"BOX, FUSE",,1,,,,,,,,,,,,,  
16,2,,29411-050000,,,"FUZE ( 5A),CARTRIDGE",,1,,,,,,,,,,,,,  
17,2,,29411-100000,,,"FUZE (10A),CARTRIDGE",,2,,,,,,,,,,,,,  
18,2,,29411-150000,,,"FUZE (15A),CARTRIDGE",,2,,,,,,,,,,,,,  
19,1,,172141-17171,,,"BOX, PILOT",,1,,,,,,,,,,,,,  
20,2,,933113-05120,,,"BULB 12V 1.7W",,3,,,,,,,,,,,,,  
21,1,,933113-03000,,,"SWITCH, LIGHTING",,1,,,,,,,,,,,,,  
22,1,,172141-17190,,,"SWITCH, WORK LAMP",,1,,,,,,,,,,,,,  
23,2,,933113-05120,,,"BULB 12V 1.7W",,1,,,,,,,,,,,,,  
24,1,,172147-17200,,,"METER, HOUR",,1,,,,,,,,,,,,,  
25,2,,172147-17210,,,"CASE, HOUR METER",,1,,,,,,,,,,,,,  
26,2,,172147-17220,,,"CAP, HOUR METER",,1,,,,,,,,,,,,,  
27,2,,172147-17230,,,"NUT",,2,,,,,,,,,,,,,  
28,2,,172147-17240,,,"SLEEVE",,2,,,,,,,,,,,,,  
29,2,,172147-17250,,,"WIRE,LEAD",,1,,,,,,,,,,,,,  
30,2,,22217-050000,,,"SPRING WASHER 5",,2,,,,,,,,,,,,,  
31,1,,121522-77101,,,"RELAY",,1,,,,,,,,,,,,,  
32,1,,119640-77711,,,"LIMITER,CURRENT",,1,,,,,,,,,,,,,  
33,1,,121522-77721,,,"INDICATOR, CHARGING",,1,,,,,,,,,,,,,  
34,1,,22217-060000,,,"SPRING WASHER 6",,4,,,,,,,,,,,,,  
35,1,,22857-400100,,,"SCREW 4X10",,2,,,,,,,,,,,,,  
36,1,,26013-060122,,,"BOLT M 6X 12",,2,,,,,,,,,,,,,  
37,1,,26013-080162,,,"BOLT M 8X 16",,2,,,,,,,,,,,,,  
38,1,,26013-100162,,,"BOLT M10X 16",,4,,,,,,,,,,,,,  
39,1,,26022-050162,,,"SCREW M 5X 16",,2,,,,,,,,,,,,,  
40,1,,26022-060122,,,"SCREW M 6X 12",,2,,,,,,,,,,,,,  
41,1,,26716-060002,,,"NUT M 6",,4,,,,,,,,,,,,,  
42,1,,933110-00100,,,"SWITCH ASSY, STARTER",,1,,,,,,,,,,,,,  
44,2,,933110-00301,,,"KEY ASSY",,1,,,,,,,,,,,,,  
45,1,,933110-05300,,,"HORN",,1,,,,,,,,,,,,,  
46,1,,933113-05150,,,"LAMP, ROOM",,1,,,,,,,,,,,,,  
47,2,,933113-05160,,,"BULB (12V5W)",,1,,,,,,,,,,,,,  
48,1,,933113-05220,,,"LAMP, HEAD",,2,,,,,,,,,,,,,  
49,2,,933113-05230,,,"BULB (12V20W)",,2,,,,,,,,,,,,,  
50,1,,933113-15900,,,"COVER, SWITCH TERMI.",,1,,,,,,,,,,,,,  
51,1,,172734-17070,,,"BLADE 450, WIPER",,1,,,,,,,,,,,,,  
52,1,,172137-17100,,,"ARM 450, WIPER",,1,,,,,,,,,,,,,  
53,1,,26023-050122,,,"SCREW M 5X 12",,3,,,,,,,,,,,,,  
54,1,,933113-03100,,,"SWITCH, WIPER",,1,,,,,,,,,,,,,  
55,1,,933113-16200,,,"MOTER 520 A, WIPER",,1,,,,,,,,,,,,,  
56,1,,172111-16890,,,"GROMMET 9",,1,,,,,,,,,,,,,  
57,1,,172141-63100,,,"PANEL",,1,,,,,,,,,,,,,  
58,1,,172141-63151,,,"COVER, IN-PAME",,1,,,,,,,,,,,,,  
59,1,,172312-17260,,,"GROMMET 22X2.3",,1,,,,,,,,,,,,,  
60,1,,22857-400100,,,"SCREW 4X10",,4,,,,,,,,,,,,,  
61,1,,26116-100202,,,"BOLT M10X 20 PLATED",,4,,,,,,,,,,,,,  
62,1,,933171-15680,,,"GROMMET 40X13",,1,,,,,,,,,,,,,  
63,1,,26716-100002,,,"NUT M10",,1,,,,,,,,,,,,,  
64,1,,26716-120002,,,"NUT M12",,1,,,,,,,,,,,,

65,1,,933168-55770,, "BAND 146" ,,1,,,,,,,,,,,,,,,,,,,,,  
66,1,,172141-16550,, "HARNESS(E), WIRE" ,,1,,,,,,,,,,,,,,,,,,,,,

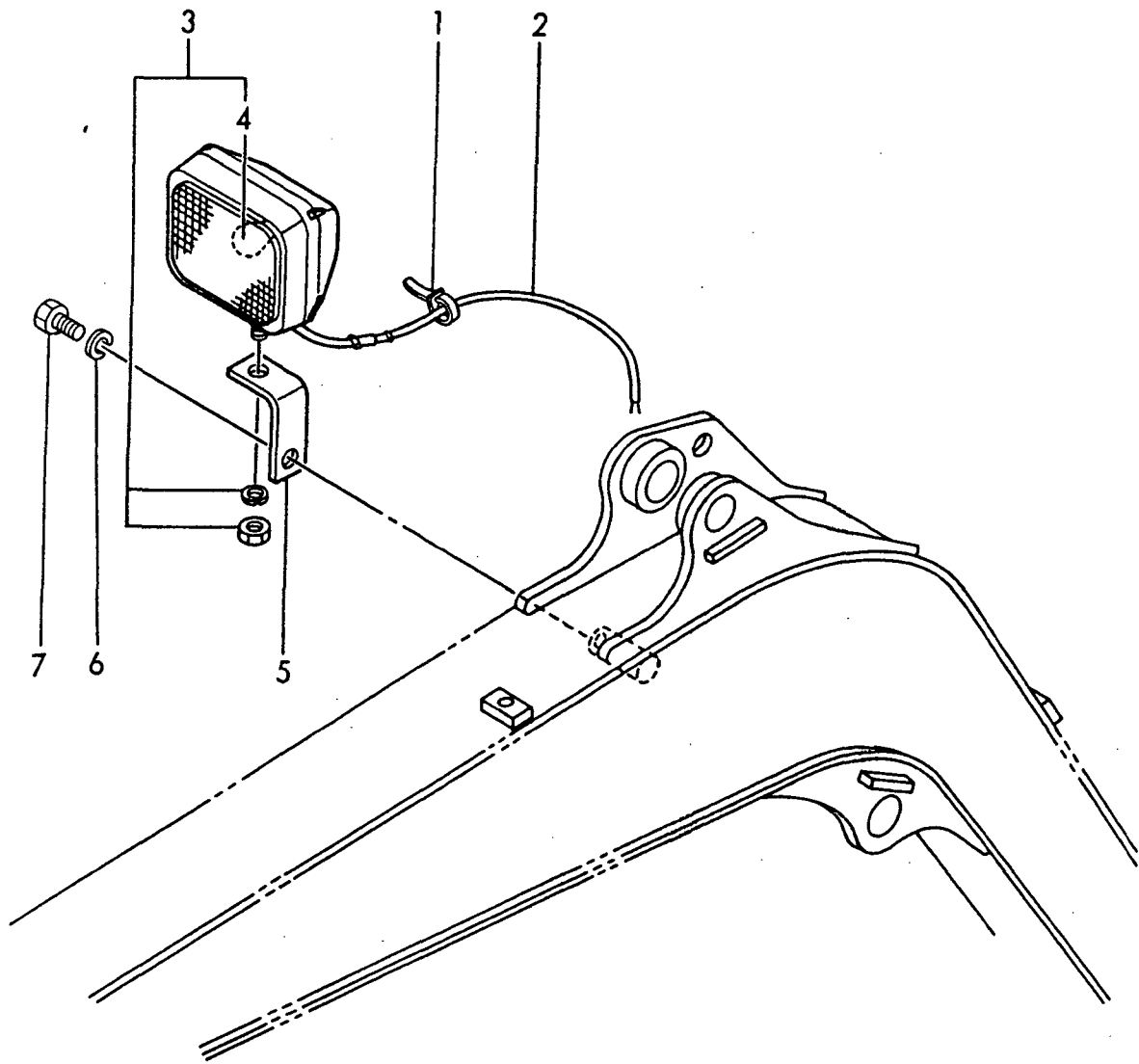
Fig. **12** デンソウヒン(キャビン)  
ELECTRIC PART (CABIN SPEC.)

COUNTRY	U	K	A	S	E	X
Fig.No.	10	12	12			



1,1,,172137-16560,,BAND,5,5,,,,,,,,,,,,,  
2,1,,172141-16560,, "WIRE, LAMP",1,1,,,,,,,,,,,,,  
3,1,,172141-17200,, "LAMP, WORK",1,1,,,,,,,,,,,,,  
4,2,,172141-17210,, "BULB 12V 60W",1,1,,,,,,,,,,,,,  
5,1,,172137-17400,, "STAY, BOOM LIGHT",1,1,,,,,,,,,,,,,  
6,1,,22217-120000,, "SPRING WASHER  
12",1,1,,,,,,,,,72149155,,72149155,,72149155,,,,,,,,,I  
7,1,,26116-120252,, "BOLT M12X 25 PLATED",1,1,,,,,,,,,,,,,

Fig. 13 ワークランプ  
WORK LAMP

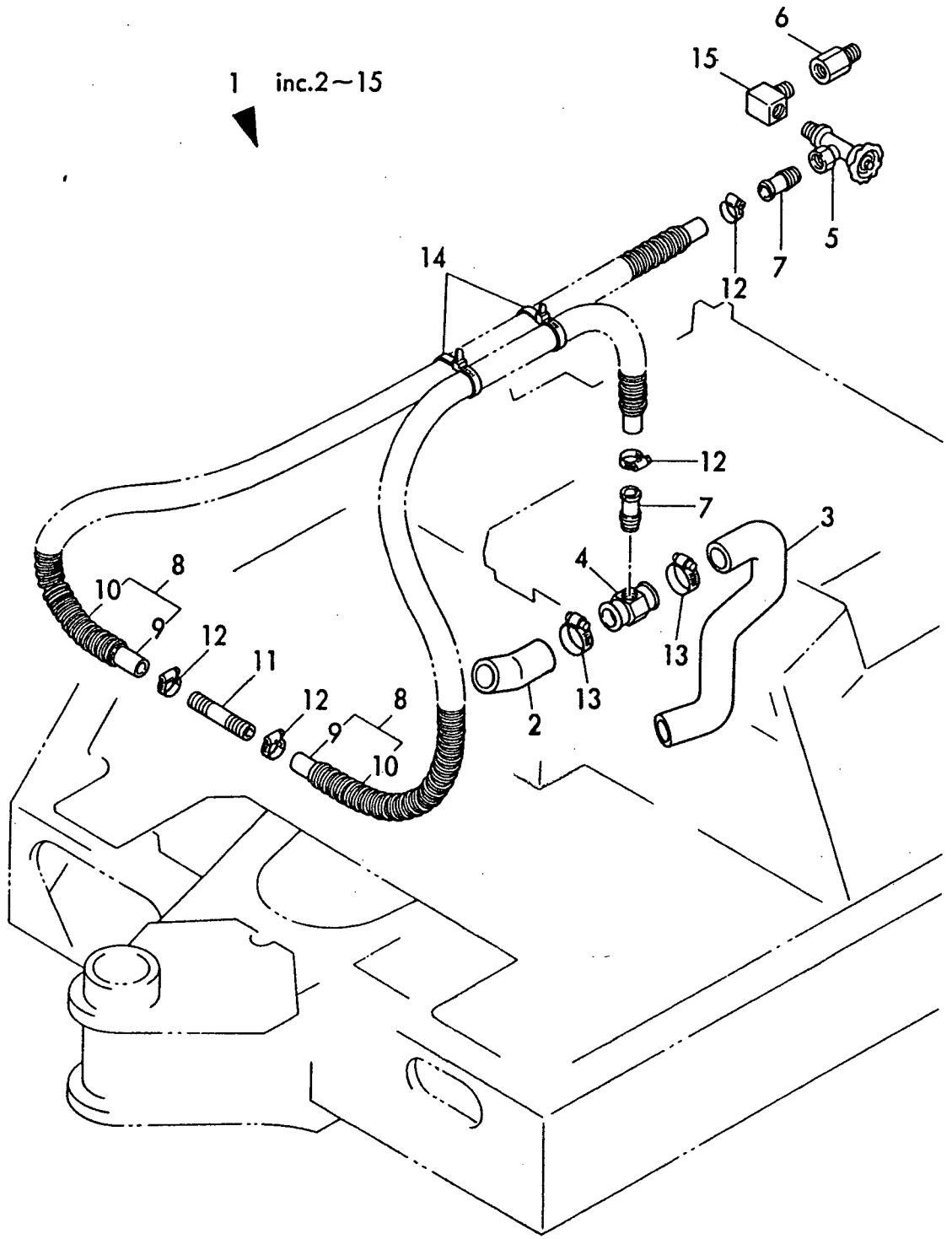




1,1,,772143-17600,, "HEATER ASSY" ,,1,,,,,,,,,,,,,,,,,,,,,  
2,2,,172141-13470,, "PIPE(B,E), C.WATER" ,,1,,,,,,,,,,,,,,,,,,,,,  
3,2,,172141-13480,, "PIPE(B,R), C.WATER" ,,1,,,,,,,,,,,,,,,,,,,,,  
4,2,,172141-13490,, JOINT ,,1,,,,,,,,,,,,,,,,,,,,,  
5,2,,172124-17630,, "VALVE, MINIATURE" ,,1,,,,,,,,,,,,,,,,,,,,,  
6,2,,172137-17630,, "JOINT, HEATER" ,,1,,,,,,,,,,,,,,,,,,,,,  
7,2,,172124-17640,, "JOINT 3/8" ,,2,,,,,,,,,,,,,,,,,,,,,  
8,2,,172141-17680,, "HOSE ASSY, HEATER" ,,2,,,,,901027,,901027,,,,,,I  
9,3,,172141-17690,, "HOSE, HEATER" ,,2,,,,,,,,,,,,,,,,,,,,,  
10,3,,172141-17700,, "TUBE, CORRUGAT" ,,2,,,,,,,,,,,,,,,,,,,,,  
11,2,,172119-47650,, "JOINT, HOSE" ,,1,,,,,901027,,901027,,,,,,I  
12,2,,23000-022000,, "CLAMP 22" ,,4,,,,,901027,,901027,,,,,,I  
13,2,,23010-038000,, "CLAMP 38" ,,2,,,,,,,,,,,,,,,,,,,,,  
14,2,,933152-09280,, "BAND 170" ,,2,,,,,901027,,901027,,,,,,I  
15,2,,933166-24240,, "ELBOW, SWIVEL JOINT" ,,1,,,,,,,,,,,,,,,,,,,,,

Fig. 14 ヒータ HEATER

COUNTRY	U	K	A	S	E	X
Fig.No.	14	15	—	—	—	—

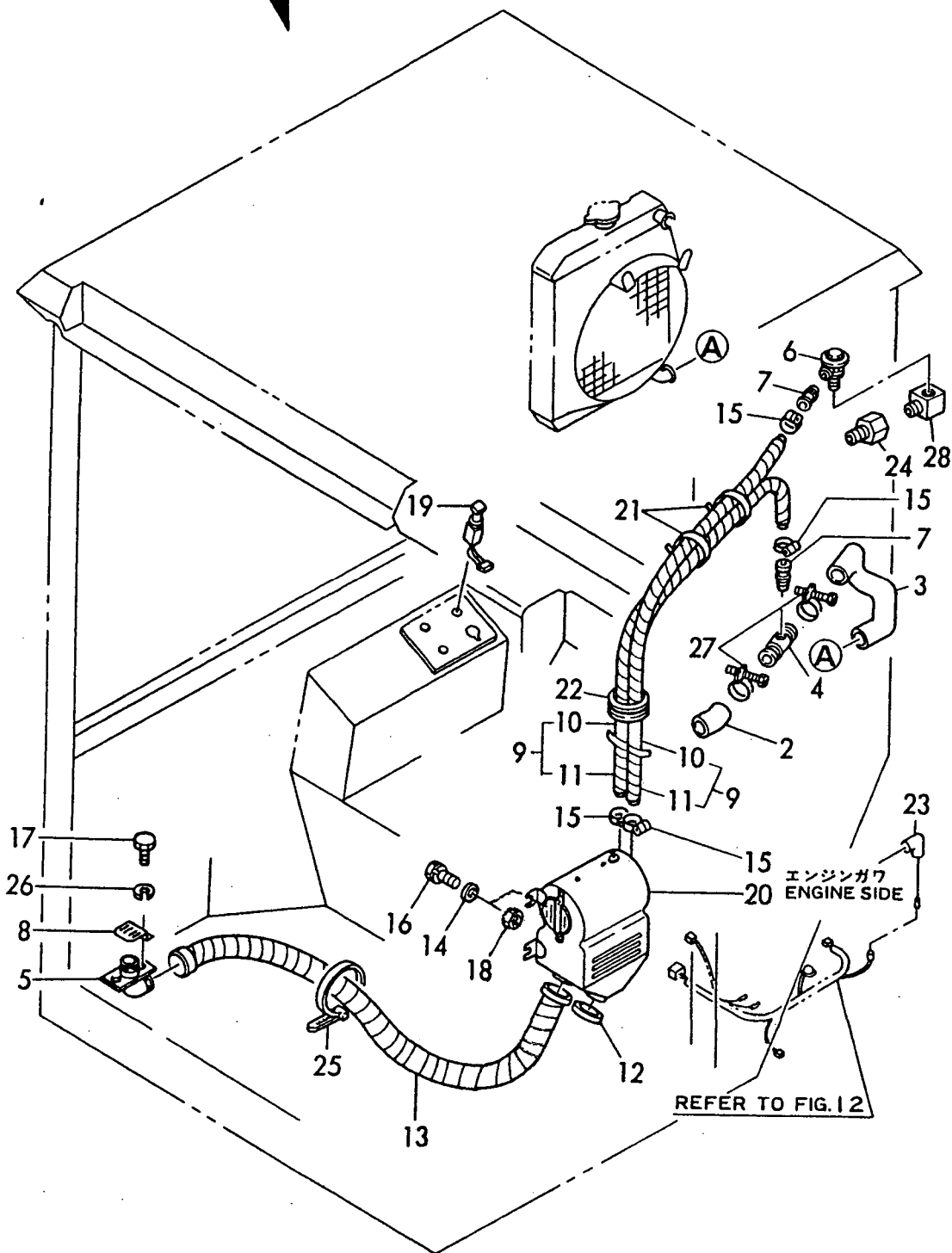


1,1,,772141-17601,, "HEATER ASSY",,1,,,,,,,,,,,,,,,,,,,,,  
2,2,,172141-13470,, "PIPE(B,E), C.WATER",,1,,,,,,,,,,,,,,,,,,,,,  
3,2,,172141-13480,, "PIPE(B,R), C.WATER",,1,,,,,,,,,,,,,,,,,,,,,  
4,2,,172141-13490,, JOINT,,1,,,,,,,,,,,,,,,,,,,,,  
5,2,,172141-17600,, "ELBOW 90S",,1,,,,,,,,,,,,,,,,,,,,,  
6,2,,172124-17630,, "VALVE, MINIATURE",,1,,,,,,,,,,,,,,,,,,,,,  
7,2,,172124-17640,, "JOINT 3/8",,2,,,,,,,,,,,,,,,,,,,,,  
8,2,,172141-17640,, "COVER, PIPE",,1,,,,,,,,,,,,,,,,,,,,,  
9,2,,172141-17680,, "HOSE ASSY, HEATER",,2,,,,,,,,,,,,,,,,,,,,,  
10,3,,172141-17690,, "HOSE, HEATER",,2,,,,,,,,,,,,,,,,,,,,,  
11,3,,172141-17700,, "TUBE, CORRUGAT",,2,,,,,,,,,,,,,,,,,,,,,  
12,2,,172122-17730,, "COVER, DEFROSTER",,1,,,,,,,,,,,,,,,,,,,,,  
13,2,,172141-17750,, "TUBE, AIR",,1,,,,,,,,,,,,,,,,,,,,,  
14,2,,22137-100000,, "WASHER 10",,3,,,,,,,,,,,,,,,,,,,,,  
15,2,,23000-022000,, "CLAMP 22",,4,,,,,,,,,,,,,,,,,,,,,  
16,2,,26013-100202,, "BOLT M10X 20",,3,,,,,,,,,,,,,,,,,,,,,  
17,2,,26116-100202,, "BOLT M10X 20 PLATED",,2,,,,,,,,,,,,,,,,,,,,,  
18,2,,26716-100002,, "NUT M10",,3,,,,,,,,,,,,,,,,,,,,,  
19,2,,933113-03200,, "SWITCH, HEATER",,1,,,,,,,,,,,,,,,,,,,,,  
20,2,,933113-15700,, "HEATER ASSY",,1,,,,,,,,,,,,,,,,,,,,,  
21,2,,933152-09280,, "BAND 170",,2,,,,,,,,,,,,,,,,,,,,,  
22,2,,933171-15680,, "GROMMET 40X13",,3,,,,,,,,,,,,,,,,,,,,,  
23,2,,172141-16570,, "WIRE, JOINT",,1,,,,,,,,,,,,,,,,,,,,,  
24,2,,172137-17630,, "JOINT, HEATER",,1,,,,,,,,,,,,,,,,,,,,,  
25,2,,194250-51660,, "BAND 250",,2,,,,,,,,,,,,,,,,,,,,,  
26,2,,22217-100000,, "SPRING WASHER 10",,2,,,,,,,,,,,,,,,,,,,,,  
27,2,,23010-038000,, "CLAMP 38",,2,,,,,,,,,,,,,,,,,,,,,  
28,2,,933166-24240,, "ELBOW, SWIVEL JOINT",,1,,,,,,,,,,,,,,,,,,,,,

Fig. 15 ヒータ HEATER

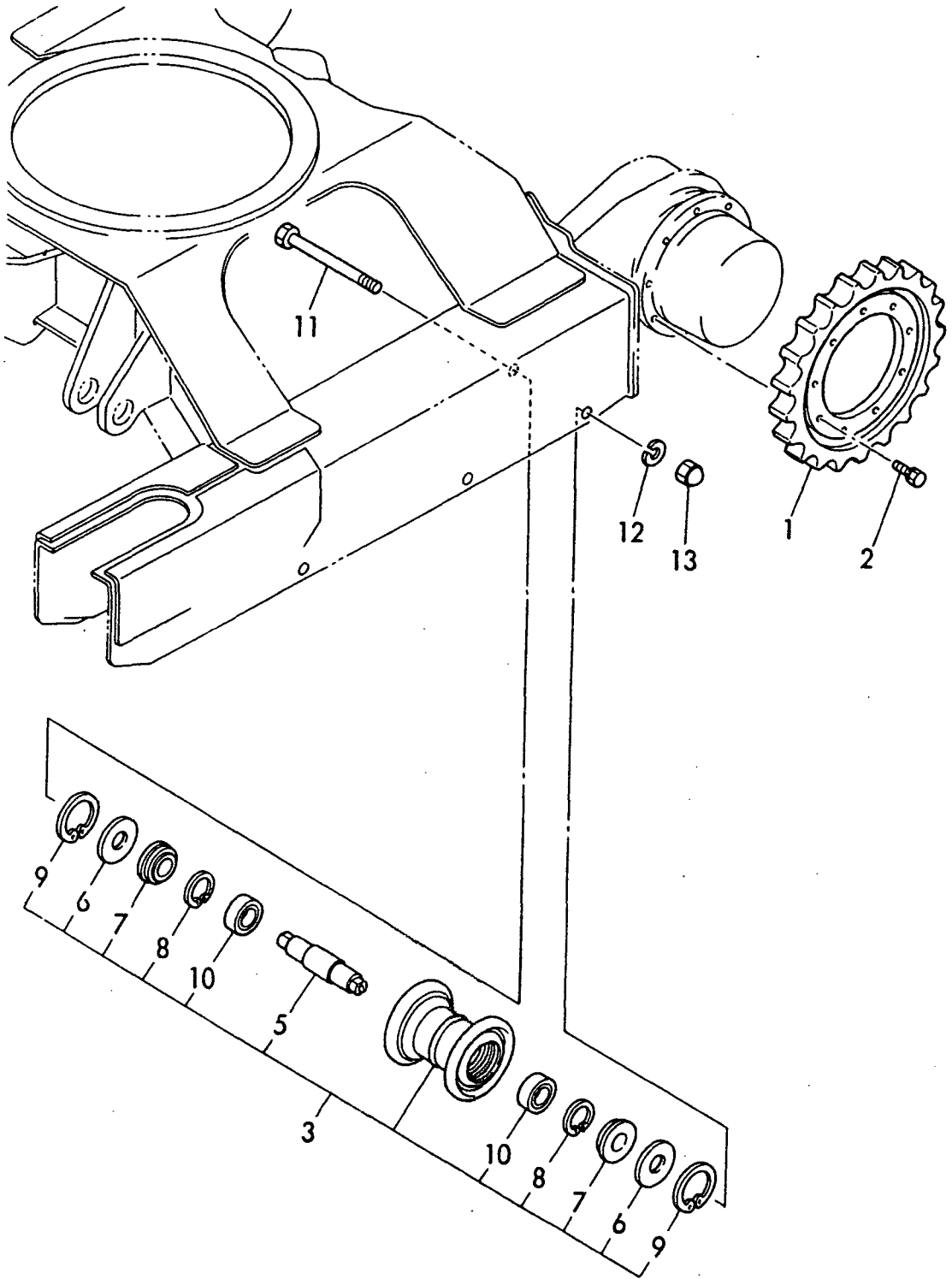
COUNTRY	U	K	A	S	E	X
Fig.No.	14	15	—	—	—	—

1 inc.2~28



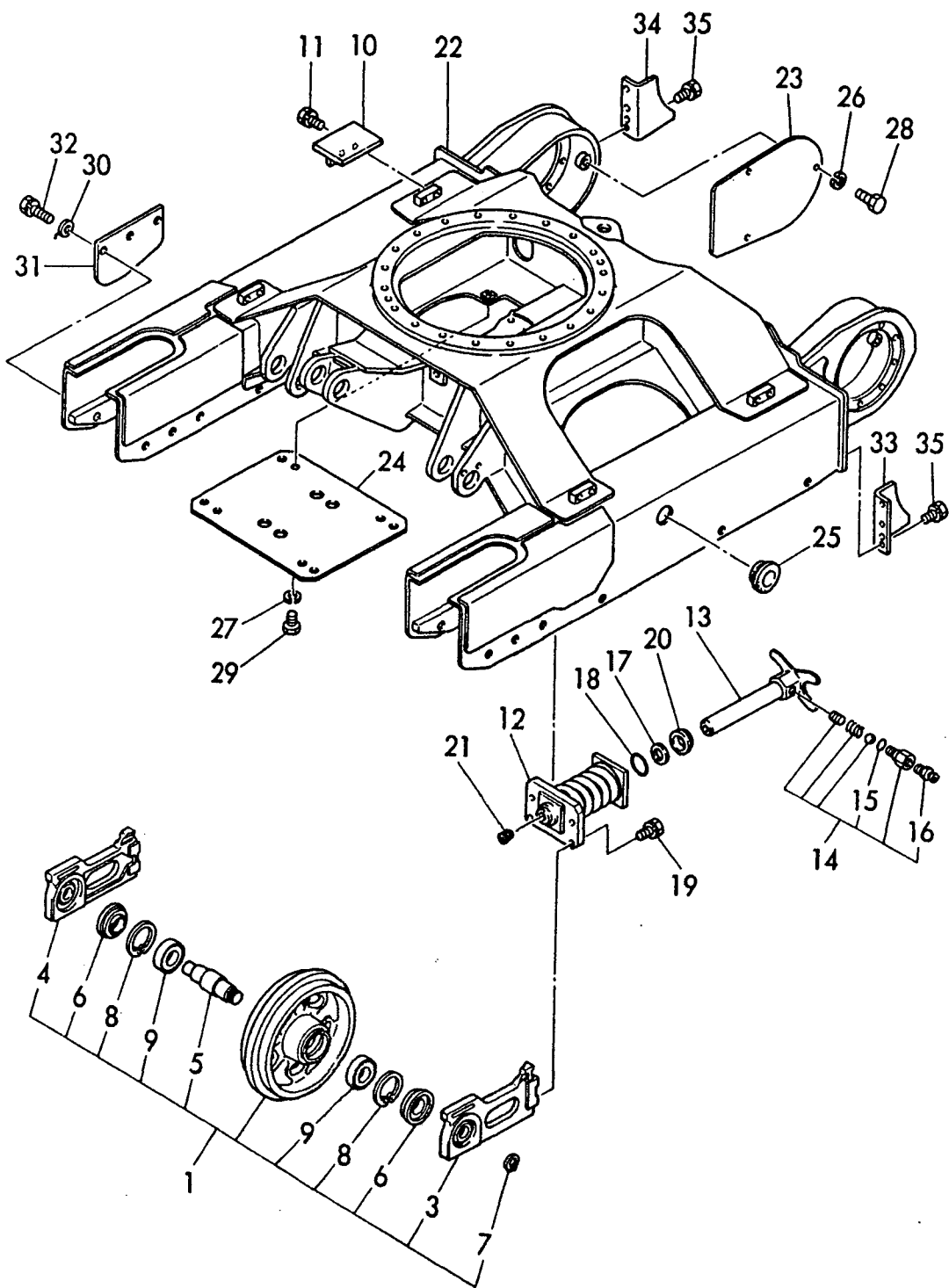
1,1,,172141-29110,,SPROCKET,2,2,,,,,,,,,,,,,  
2,1,,26013-120302,, "BOLT M12X 30",18,18,,,,,,,,,,,,,  
3,1,,772142-37300,, "ROLLER ASSY, TRACK",6,6,,,,,,,,,,,,,  
5,2,,172146-37310,, "SHAFT, ROLLER",6,6,,,,,,,,,,,,,  
6,2,,172141-37320,, "SPACER 75X2.6",12,12,,,,,,,,,,,,,  
7,2,,1A1030-48250,, "SEAL QLF30621218,OIL",12,12,,,,,,,,,,,,,  
8,2,,22252-000620,, "CIRCLIP 62(H)",12,12,,,,,,,,,,,,,  
9,2,,22252-000750,, "CIRCLIP 75",12,12,,,,,,,,,,,,,  
10,2,,933111-73800,,BEARING,12,12,,,,,,,,,,,,,  
11,1,,172113-36050,, "BOLT, ROLLER ADJUST",6,6,,,,,,,,,,,,,  
12,1,,22217-160000,, "SPRING WASHER 16",6,6,,,,,,,,,,,,,  
13,1,,26657-160002,, "CAP NUT M16",6,6,,,,,,,,,,,,,

Fig. 16 トラック ローラ  
TRUCK ROLLER



1,1,,772141-37100,, "IDLER 280 ASSY",2,2,,,,,,,,,,,,,,,,,,,,,  
3,2,,172141-37110,, "FORK(L), IDLER",2,2,,,,,,,,,,,,,,,,,,,,,  
4,2,,172141-37120,, "FORK(R), IDLER",2,2,,,,,,,,,,,,,,,,,,,,,  
5,2,,172141-37130,, "SHAFT, IDLER",2,2,,,,,,,,,,,,,,,,,,,,,  
6,2,,172141-37140,, "SEAL 357220",4,4,,,,,,,,,,,,,,,,,,,,,  
7,2,,22242-000300,, "CIRCLIP 30",2,2,,,,,,,,,,,,,,,,,,,,,  
8,2,,22252-000720,, "CIRCLIP 72",4,4,,,,,,,,,,,,,,,,,,,,,  
9,2,,24101-062074,, "BALL BEARING",4,4,,,,,,,,,,,,,,,,,,,,,  
10,1,,172141-37501,, "PLATE",4,4,,,,,,,,,,,,,,,,,,,,,  
11,1,,26013-100302,, "BOLT M10X 30",8,8,,,,,,,,,,,,,,,,,,,,,  
12,1,,172146-37700,, "SPRING",2,2,,,,,,,,,,,,,,,,,,,,,  
13,1,,172141-37800,, "PISTON, ADJUST",2,2,,,,,,,,,,,,,,,,,,,,,  
14,1,,172122-37842,, "VALVE ASSY, NIPPLE",2,2,,,,,,,,,,,,,,,,,,,,,  
15,2,,24315-000120,, "O-RING 1B P-12.0",2,2,,,,,,,,,,,,,,,,,,,,,  
16,2,,24761-020000,, "NIPPLE PT1/8,GREASE",2,2,,,,,,,,,,,,,,,,,,,,,  
17,1,,172141-37850,, "RING G35, BACK UP",2,2,,,,,,,,,,,,,,,,,,,,,  
18,1,,24325-000350,, "O-RING 1B G-35.0",2,2,,,,,,,,,,,,,,,,,,,,,  
19,1,,26013-100402,, "BOLT M10X 40",8,8,,,,,,,,,,,,,,,,,,,,,  
20,1,,933126-34300,, "SEAL 3547710",2,2,,,,,,,,,,,,,,,,,,,,,  
21,1,,933171-13691,, "PLUG PT1/8",2,2,,,,,,,,,,,,,,,,,,,,,  
22,1,,172141-50101,, "FRAME, LOWER",1,1,,,,,,,,,,,,,,,,,,,,,  
23,1,,172141-50750,, "COVER, MOTOR",2,2,,,,,,,,,,,,,,,,,,,,,  
24,1,,172141-50761,, "COVER, UNDER",1,1,,,,,,,,,,,,,,,,,,,,,  
25,1,,172141-50890,, "GROMMET",2,2,,,,,,,,,,,,,,,,,,,,,  
26,1,,22217-100000,, "SPRING WASHER 10",6,6,,,,,,,,,,,,,,,,,,,,,  
27,1,,22217-120000,, "SPRING WASHER 12",4,4,,,,,,,,,,,,,,,,,,,,,  
28,1,,26116-100202,, "BOLT M10X 20 PLATED",6,6,,,,,,,,,,,,,,,,,,,,,  
29,1,,26116-120252,, "BOLT M12X 25 PLATED",4,4,,,,,,,,,,,,,,,,,,,,,  
30,1,,172730-05250,, "WASHER 12",12,12,,,,,,,,,,,,,,,,,,,,,  
31,1,,172141-50901,, "GUARD, SHOE",4,4,,,,,,,,,,,,,,,,,,,,,  
32,1,,26013-120452,, "BOLT M12X 45",12,12,,,,,,,,,,,,,,,,,,,,,  
33,1,,172122-50851,, "GUARD(L), SPROCKET",1,1,,,,,1,,,,,,,,,,,,,  
34,1,,172122-50861,, "GUARD(R), SPROCKET",1,1,,,,,1,,,,,,,,,,,,,  
35,1,,26013-120252,, "BOLT M12X 25",6,6,,,,,1,,,,,,,,,,,,

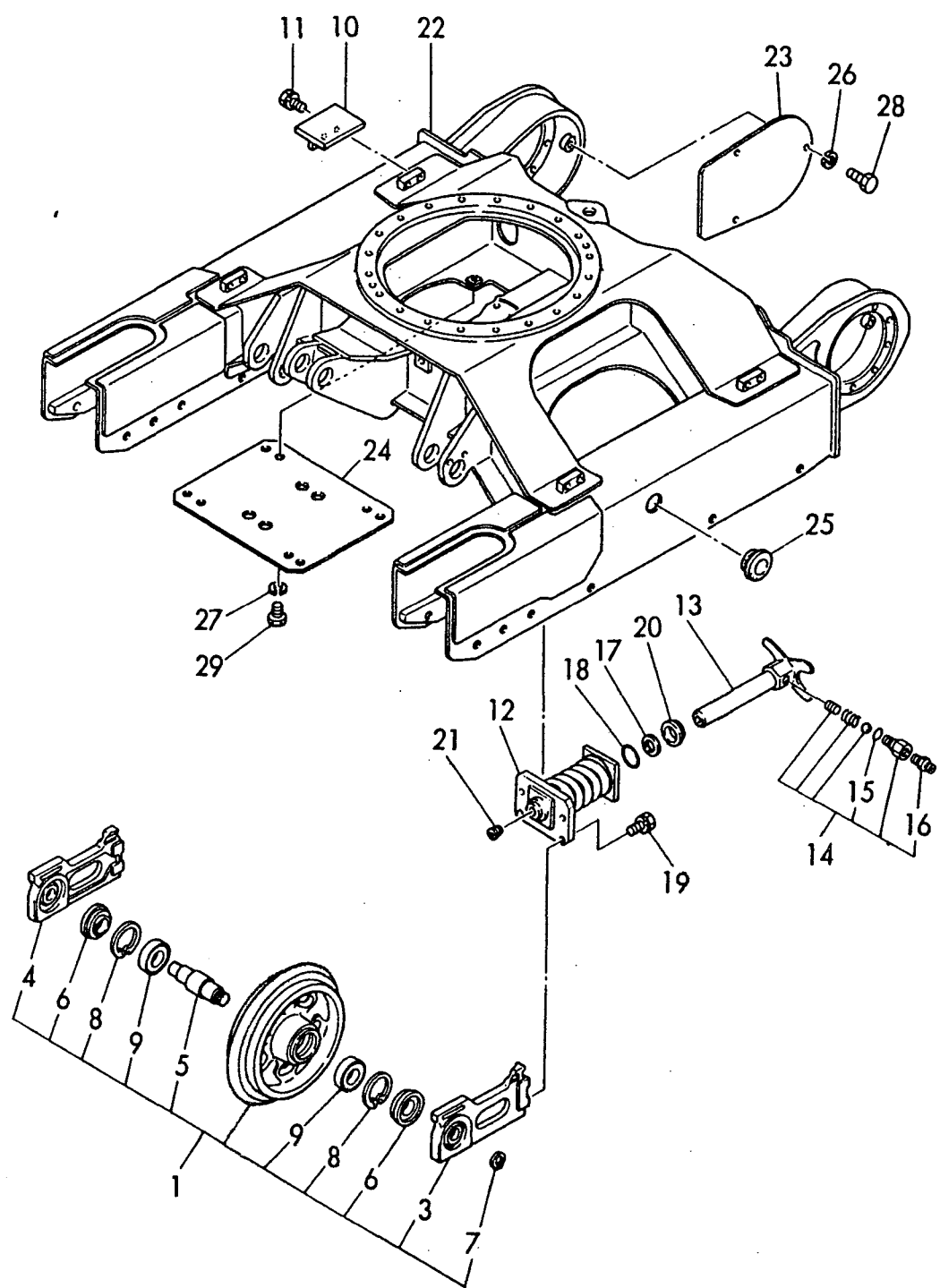
Fig. 17 トラックフレーム&アイドル  
TRACK FRAME & IDLER





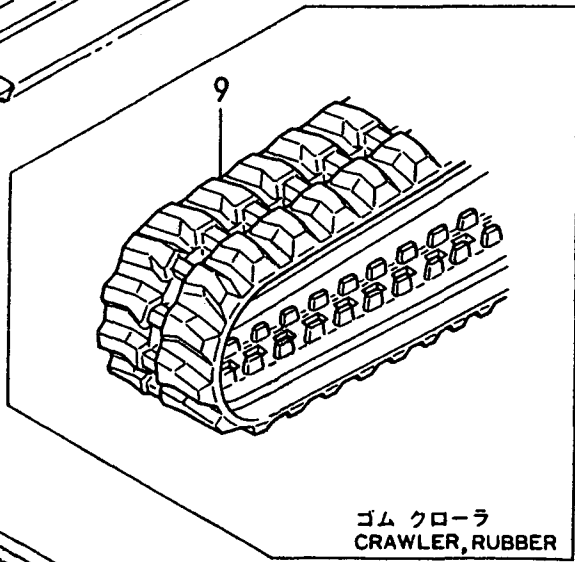
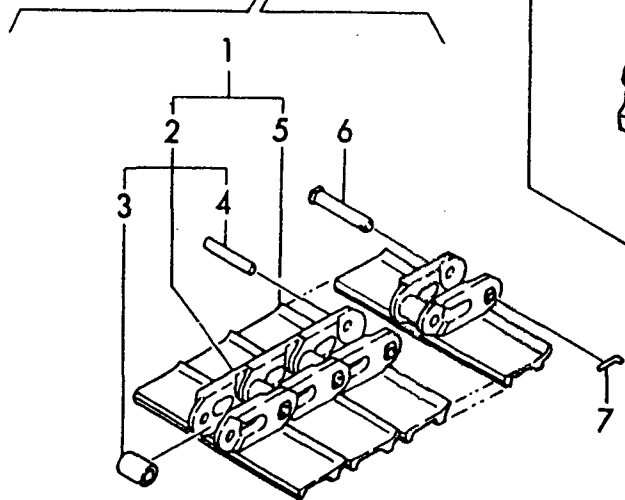
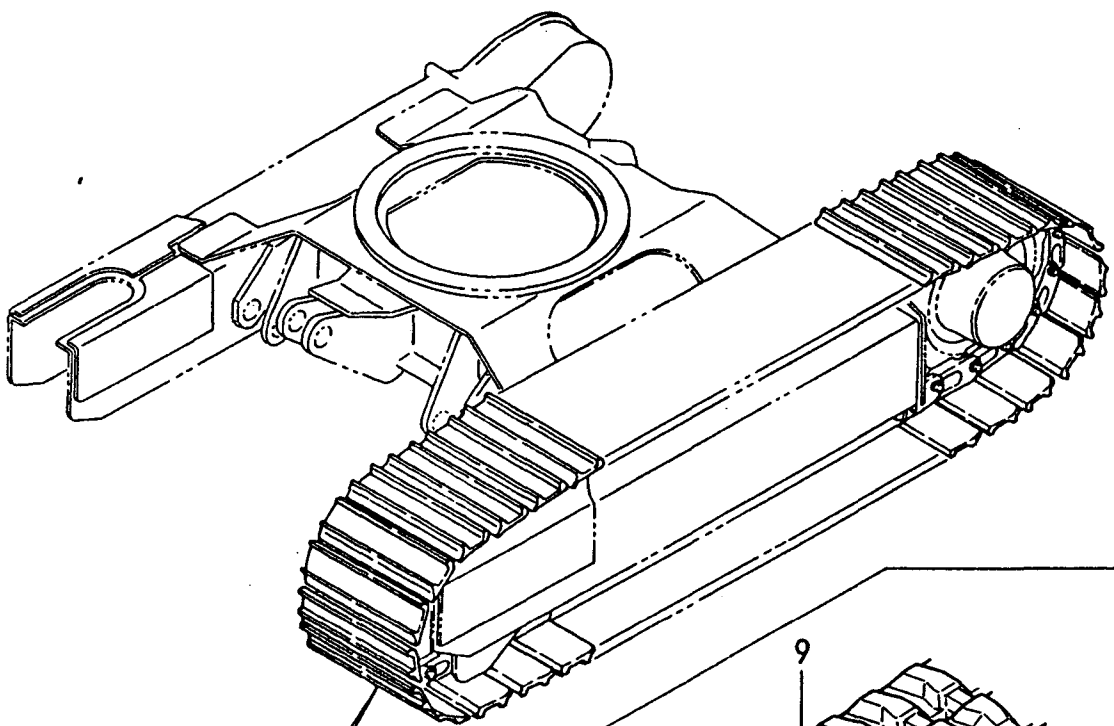
1,1,,772146-37100,, "IDLER 280 ASSY",2,2,,,,,,,,,,,,,,,,,,,,,  
3,2,,172141-37110,, "FORK(L), IDLER",2,2,,,,,,,,,,,,,,,,,,,,,  
4,2,,172141-37120,, "FORK(R), IDLER",2,2,,,,,,,,,,,,,,,,,,,,,  
5,2,,172141-37130,, "SHAFT, IDLER",2,2,,,,,,,,,,,,,,,,,,,,,  
6,2,,172141-37140,, "SEAL 357220",4,4,,,,,,,,,,,,,,,,,,,,,  
7,2,,22242-000300,, "CIRCLIP 30",2,2,,,,,,,,,,,,,,,,,,,,,  
8,2,,22252-000720,, "CIRCLIP 72",4,4,,,,,,,,,,,,,,,,,,,,,  
9,2,,24101-062074,, "BALL BEARING",4,4,,,,,,,,,,,,,,,,,,,,,  
10,1,,172141-37501,, "PLATE",4,4,,,,,,,,,,,,,,,,,,,,,  
11,1,,26013-100302,, "BOLT M10X 30",8,8,,,,,,,,,,,,,,,,,,,,,  
12,1,,172146-37700,, "SPRING",2,2,,,,,,,,,,,,,,,,,,,,,  
13,1,,172141-37800,, "PISTON, ADJUST",2,2,,,,,,,,,,,,,,,,,,,,,  
14,1,,172122-37842,, "VALVE ASSY, NIPPLE",2,2,,,,,,,,,,,,,,,,,,,,,  
15,2,,24315-000120,, "O-RING 1B P-12.0",2,2,,,,,,,,,,,,,,,,,,,,,  
16,2,,24761-020000,, "NIPPLE PT1/8,GREASE",2,2,,,,,,,,,,,,,,,,,,,,,  
17,1,,172141-37850,, "RING G35, BACK UP",2,2,,,,,,,,,,,,,,,,,,,,,  
18,1,,24325-000350,, "O-RING 1B G-35.0",2,2,,,,,,,,,,,,,,,,,,,,,  
19,1,,26013-100402,, "BOLT M10X 40",8,8,,,,,,,,,,,,,,,,,,,,,  
20,1,,933126-34300,, "SEAL 3547710",2,2,,,,,,,,,,,,,,,,,,,,,  
21,1,,933171-13691,, "PLUG PT1/8",2,2,,,,,,,,,,,,,,,,,,,,,  
22,1,,172141-50101,, "FRAME, LOWER",1,1,,,,,,,,,,,,,,,,,,,,,  
23,1,,172141-50750,, "COVER, MOTOR",2,2,,,,,,,,,,,,,,,,,,,,,  
24,1,,172141-50761,, "COVER, UNDER",1,1,,,,,,,,,,,,,,,,,,,,,  
25,1,,172141-50890,, "GROMMET",2,2,,,,,,,,,,,,,,,,,,,,,  
26,1,,22217-100000,, "SPRING WASHER 10",6,6,,,,,,,,,,,,,,,,,,,,,  
27,1,,22217-120000,, "SPRING WASHER 12",4,4,,,,,,,,,,,,,,,,,,,,,  
28,1,,26116-100202,, "BOLT M10X 20 PLATED",6,6,,,,,,,,,,,,,,,,,,,,,  
29,1,,26116-120252,, "BOLT M12X 25 PLATED",4,4,,,,,,,,,,,,,,,,,,,,,

Fig. 18 トラックフレーム&アイドラ(R)  
TRACK FRAME & IDLER (R)

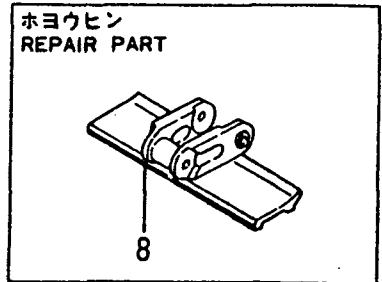


1,1,,172141-38100,, "CRAWLER 270 ASSY",2,2,,,,,,,,,,,,,  
2,2,,172141-38150,, "LINK ASSY, CRAWLER",2,2,,,,,,,,,,,,,  
3,3,,172141-38200,, BUSH,72,72,,,,,,,,,,,,,  
4,3,,172141-38210,, "PIN, CRAWLER",70,70,,,,,,,,,,,,,  
5,2,,172141-38230,, "SHOE 270, CRAWLER",72,72,,,,,,,,,,,,,  
6,1,,172141-38220,, "PIN, MASTER",2,2,,,,,,,,,,,,,  
7,1,,172614-38300,, "PIN 5X45, LOCK",2,2,,,,,,,,,,,,,  
8,1,,172141-38240,, "TRACK 270, MASTER",2,2,,,,,,,,,,,,,  
9,1,,172141-38610,, "CRAWLER, RUBBER",2,2,,,,,,,,,,,,,

Fig. 19 リタイ (270)  
CRAWLER (270)



ゴム クローラ  
CRAWLER, RUBBER

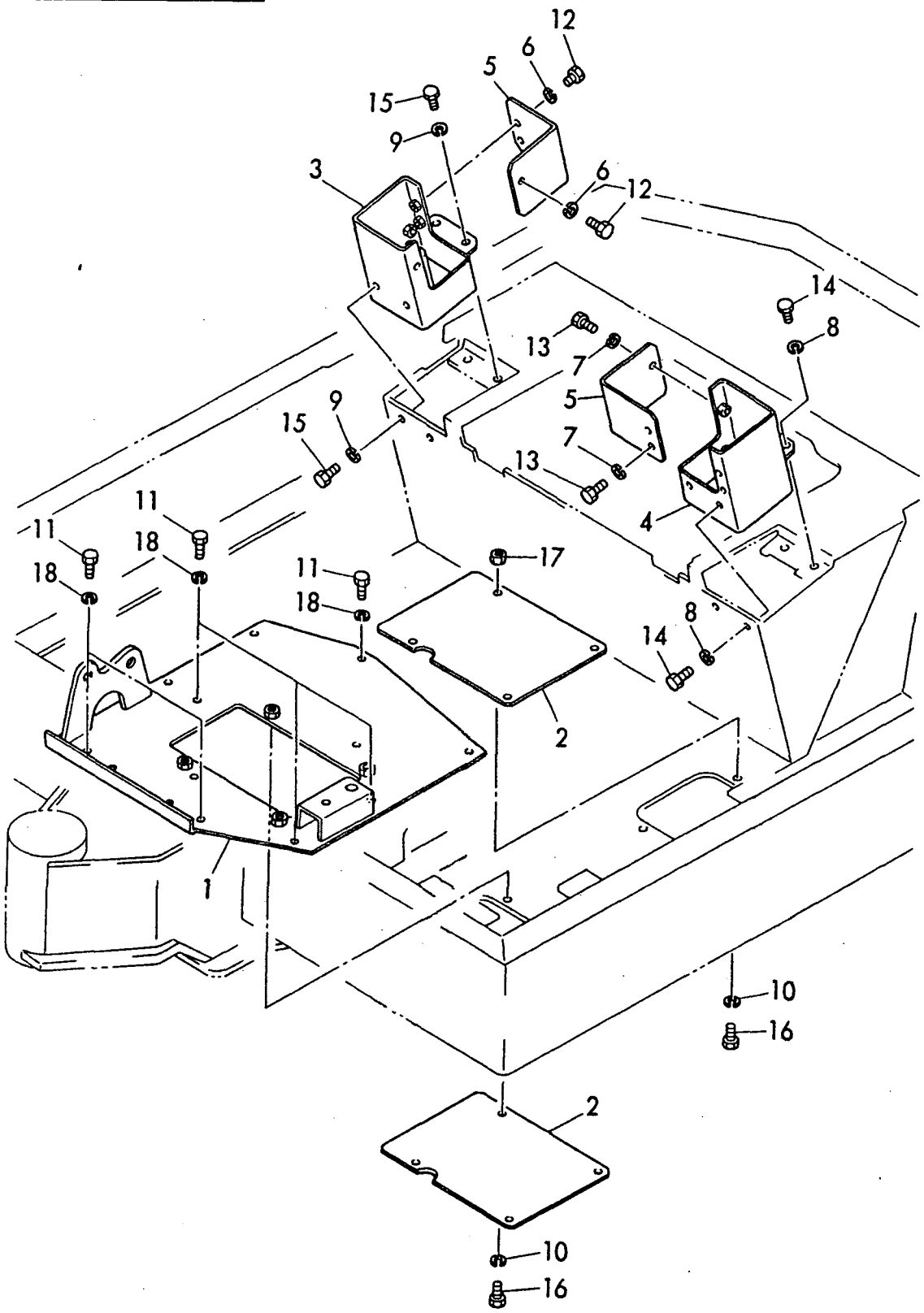


ホヨウヒン  
REPAIR PART

1,1,,172141-42300,, "PLATE, LINK",1,1,,,,,,,,,,,,,,,,,,,,,  
2,1,,172141-42390,, "COVER, UNDER",2,2,,,,,,,,,,,,,,,,,,,,,  
3,1,,172142-43300,, "SUPPORT,R",1,1,,,,,,,,,,,,,,,,,,,,,  
4,1,,172142-43330,, "SUPPORT,L",1,1,,,,,,,,,,,,,,,,,,,,,  
5,1,,172142-43390,, "COVER, SUPPORT",2,2,,,,,,,,,,,,,,,,,,,,,  
6,1,,22217-080000,, "SPRING WASHER 8",3,3,,,,,,,,,,,,,,,,,,,,,  
7,1,,22217-080000,, "SPRING WASHER 8",3,3,,,,,,,,,,,,,,,,,,,,,  
8,1,,22217-100000,, "SPRING WASHER 10",4,4,,,,,,,,,,,,,,,,,,,,,  
9,1,,22217-100000,, "SPRING WASHER 10",4,4,,,,,,,,,,,,,,,,,,,,,  
10,1,,22217-100000,, "SPRING WASHER 10",8,8,,,,,,,,,,,,,,,,,,,,,  
11,1,,26013-100202,, "BOLT M10X 20",6,6,,,,,,,,,,,,,,,,,,,,,  
12,1,,26116-080202,, "BOLT M 8X 20 PLATED",3,3,,,,,,,,,,,,,,,,,,,,,  
13,1,,26116-080202,, "BOLT M 8X 20 PLATED",3,3,,,,,,,,,,,,,,,,,,,,,  
14,1,,26116-100202,, "BOLT M10X 20 PLATED",4,4,,,,,,,,,,,,,,,,,,,,,  
15,1,,26116-100202,, "BOLT M10X 20 PLATED",4,4,,,,,,,,,,,,,,,,,,,,,  
16,1,,26116-100202,, "BOLT M10X 20 PLATED",8,8,,,,,,,,,,,,,,,,,,,,,  
17,1,,26716-100002,, "NUT M10",4,4,,,,,,,,,,,,,,,,,,,,,  
18,1,,22217-100000,, "SPRING WASHER 10",6,6,,,,,,,,,,,,,,,,,,,,,

Fig. 20 リンクダイ LINK STAND

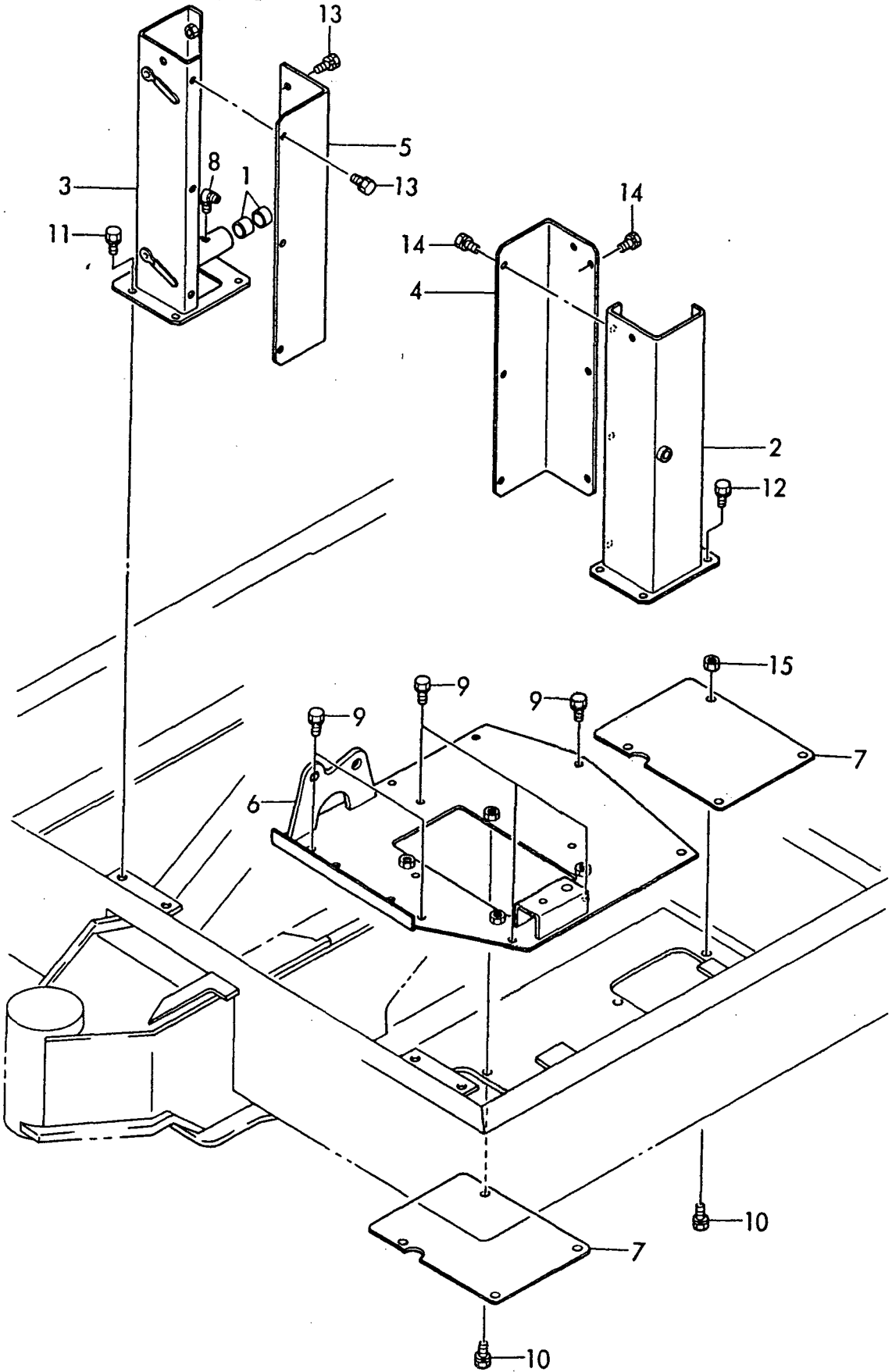
COUNTRY	U	K	A	S	E	X
Fig.No.	20	21	21	21	21	21



1,1,,172141-41370,, "BUSH 2015",2,2,,,,,,,,,,,,,,,,,,,,,  
2,1,,172141-42101,, "SUPPORT(L), LINK",1,1,,,,,,,,,,,,,,,,,,,,,  
3,1,,172141-42201,, "SUPPORT(R), LINK",1,1,,,,,,,,,,,,,,,,,,,,,  
4,1,,172141-42231,, "COVER(L), SUPPORT",1,1,,,,,,,,,,,,,,,,,,,,,  
5,1,,172141-42241,, "COVER(R), SUPPORT",1,1,,,,,,,,,,,,,,,,,,,,,  
6,1,,172141-42300,, "PLATE, LINK",1,1,,,,,,,,,,,,,,,,,,,,,  
7,1,,172141-42390,, "COVER, UNDER",2,2,,,,,,,,,,,,,,,,,,,,,  
8,1,,24761-050000,, "NIPPLE C,GREASE",1,1,,,,,,,,,,,,,,,,,,,,,  
9,1,,26013-100202,, "BOLT M10X 20",6,6,,,,,,,,,,,,,,,,,,,,,  
10,1,,26013-100202,, "BOLT M10X 20",8,8,,,,,,,,,,,,,,,,,,,,,  
11,1,,26013-100202,, "BOLT M10X 20",4,4,,,,,,,,,,,,,,,,,,,,,  
12,1,,26013-100202,, "BOLT M10X 20",4,4,,,,,,,,,,,,,,,,,,,,,  
13,1,,26013-100202,, "BOLT M10X 20",6,6,,,,,,,,,,,,,,,,,,,,,  
14,1,,26013-100202,, "BOLT M10X 20",6,6,,,,,,,,,,,,,,,,,,,,,  
15,1,,26716-100002,, "NUT M10",4,4,,,,,,,,,,,,,,,,,,,,,

Fig. 21 リンクダイ LINK STAND

COUNTRY	U	K	A	S	E	X
Fig. No.	20	21	21	21	21	21

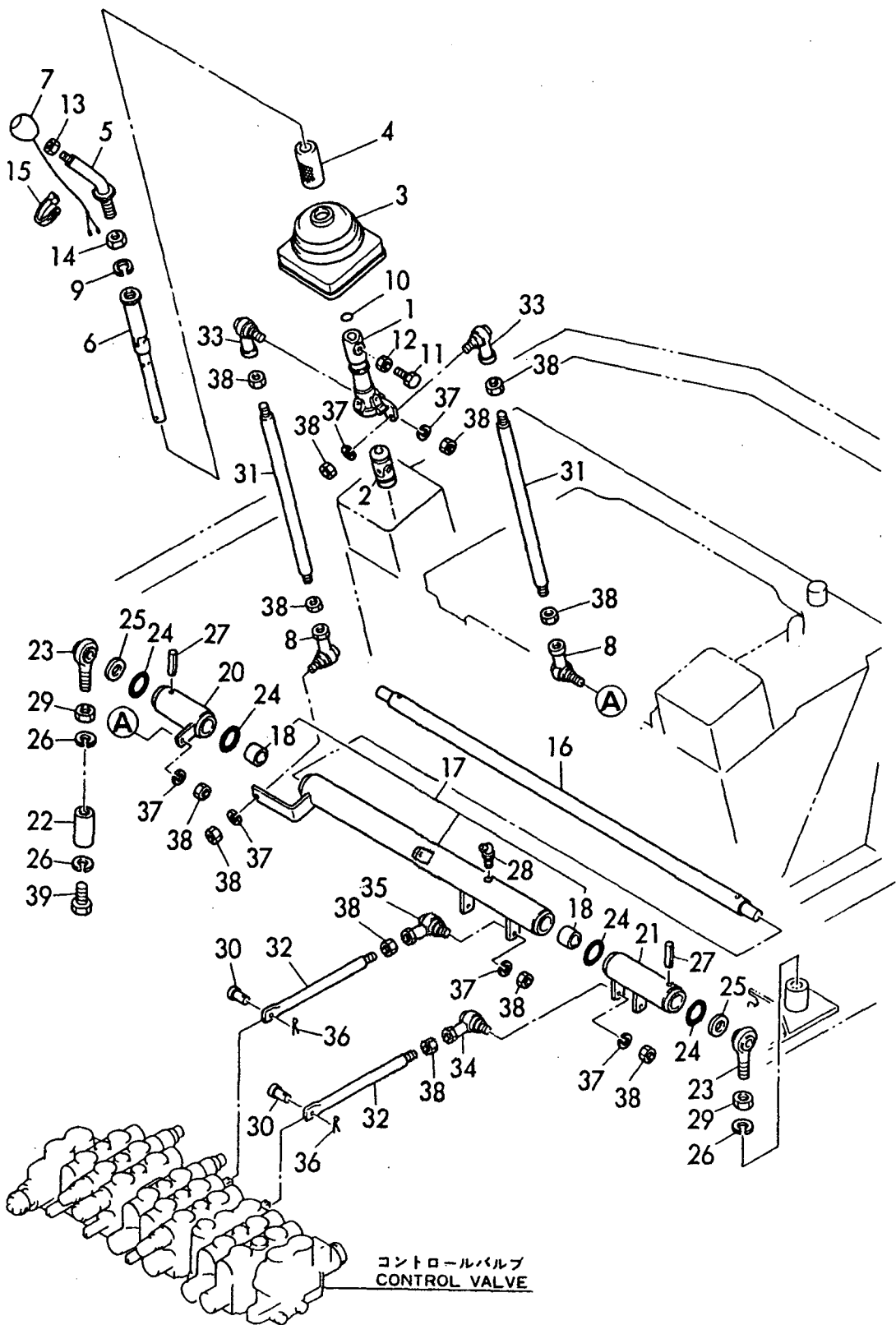




1,1,,172141-41150,, "LINK(L), LEVER",1,1,,,,,,,,,,,,,  
2,1,,172141-41160,, JOINT,1,1,,,,,,,,,,,,,  
3,1,,172141-41330,, "BOOTS, LEVER",1,1,,,,,,,,,,,,,  
4,1,,172142-44170,, "JOINT, LEVER",1,1,,,,,,,,,,,,,  
5,1,,172143-45100,, LEVER,1,1,,,,,,,,,,,,,  
6,1,,172143-45130,, "ROD ASSY,CONNECTING",1,1,,,,,,,,,,,,,  
7,1,,172143-45800,, KNOB(A),1,1,,,,,,,,,,,,,  
8,1,,172122-46590,, "ELBALL 8",2,2,,,,,,,,,,,,,  
9,1,,22217-140000,, "SPRING WASHER 14",1,1,,,,,,,,,,,,,  
10,1,,24311-000140,, "O-RING 1A P-14.0",1,1,,,,,,,,,,,,,  
11,1,,26450-080202,, "BOLT M 8X 20",1,1,,,,,,,,,,,,,  
12,1,,26716-080002,, "NUT M 8",1,1,,,,,,,,,,,,,  
13,1,,26716-100002,, "NUT M10",1,1,,,,,,,,,,,,,  
14,1,,26736-140002,, "NUT M14",1,1,,,,,,,,,,,,,  
15,1,,933168-55770,, "BAND 146",2,2,,,,,,,,,,,,,  
16,1,,172141-41810,, "SHAFT, LINK",1,1,,,,,,,,,,,,,  
17,1,,172143-45200,, "LINK, BOOM",1,1,,,,,,,,,,,,,  
18,2,,172141-41370,, "BUSH 2015",2,2,,,,,,,,,,,,,  
20,1,,172143-45290,, "LINK, BUCKET",1,1,,,,,,,,,,,,,  
21,1,,172141-41460,, "LINK(A), BUCKET",1,1,,,,,,,,,,,,,  
22,1,,172143-45580,, SCREW,1,1,,,,,,,,,,,,,  
23,1,,172122-45720,, "ROD-END 14",2,2,,,,,,,,,,,,,  
24,1,,172124-46200,, "O-RING 27X5.7",4,4,,,,,,,,,,,,,  
25,1,,22157-120000,, "WASHER 12",2,2,,,,,,,,,,,,,  
26,1,,22217-140000,, "SPRING WASHER 14",3,3,,,,,,,,,,,,,  
27,1,,22351-050036,, "SPRING PIN 5X36",2,2,,,,,,,,,,,,,  
28,1,,24761-040000,, "NIPPLE B,GREASE",1,1,,,,,,,,,,,,,  
29,1,,26716-100002,, "NUT M10",2,2,,,,,,,,,,,,,  
30,1,,172141-42970,, "PIN 6X15",2,2,,,,,,,,,,,,,  
31,1,,172143-45640,, "ROD, LINK",2,2,,,,,,,,,,,,,  
32,1,,172143-45660,, "ROD(B), SPOOL",2,2,,,,,,,,,,,,,  
33,1,,172122-46590,, "ELBALL 8",2,2,,,,,,,,,,,,,  
34,1,,172122-46590,, "ELBALL 8",1,1,,,,,,,,,,,,,  
35,1,,172122-46590,, "ELBALL 8",1,1,,,,,,,,,,,,,  
36,1,,1C6281-52310,, "PIN 6,COME-OFF SNAP",2,2,,,,,,,,,,,,,  
37,1,,22217-080000,, "SPRING WASHER 8",4,4,,,,,,,,,,,,,  
38,1,,26716-080002,, "NUT M 8",12,12,,,,,,,,,,,,,  
39,1,,26116-140352,, "BOLT M14X 35 PLATED",1,1,,,,,,,,,,,,,

Fig. **22** ソウジュウソウチ (ブーム & バケット)  
**CONTROL EQUIPMENT (BOOM & BUCKET)**

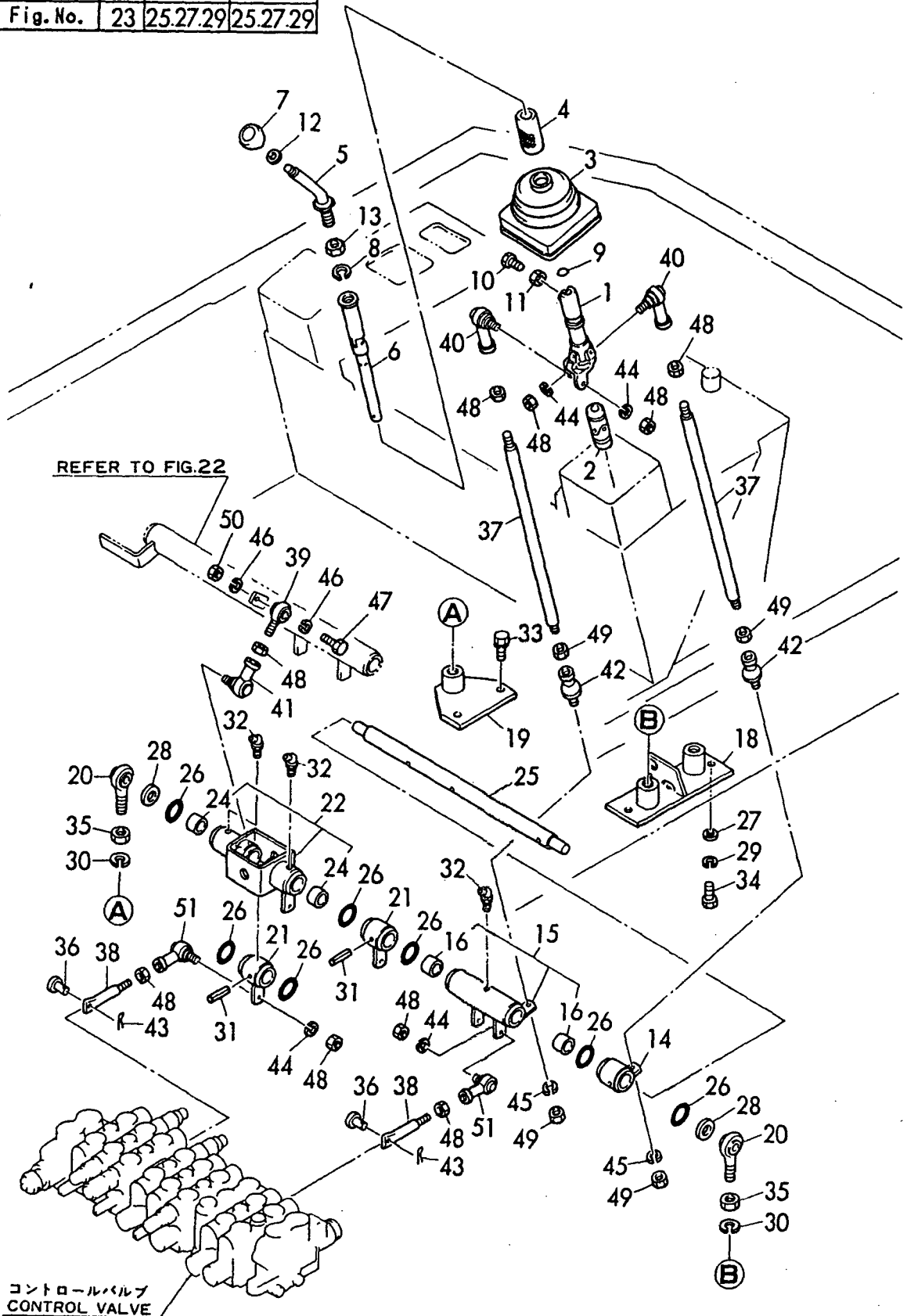
COUNTRY	U K	A S	E X
Fig. No.	22	25.27.29	25.27.29



1,1,,172141-41150,, "LINK(L), LEVER",1,1,,,,,,,,,,,,,,,,,,,,,  
2,1,,172141-41160,, JOINT,1,1,,,,,,,,,,,,,,,,,,,,,  
3,1,,172141-41330,, "BOOTS, LEVER",1,1,,,,,,,,,,,,,,,,,,,,,  
4,1,,172142-44170,, "JOINT, LEVER",1,1,,,,,,,,,,,,,,,,,,,,,  
5,1,,172143-45100,, LEVER,1,1,,,,,,,,,,,,,,,,,,,,,  
6,1,,172143-45130,, "ROD ASSY,CONNECTING",1,1,,,,,,,,,,,,,,,,,,,,,  
7,1,,172312-46321,, KNOB(B),1,1,,,,,,,,,,,,,,,,,,,,,  
8,1,,22217-140000,, "SPRING WASHER 14",1,1,,,,,,,,,,,,,,,,,,,,,  
9,1,,24311-000140,, "O-RING 1A P-14.0",1,1,,,,,,,,,,,,,,,,,,,,,  
10,1,,26450-080202,, "BOLT M 8X 20",1,1,,,,,,,,,,,,,,,,,,,,,  
11,1,,26716-080002,, "NUT M 8",1,1,,,,,,,,,,,,,,,,,,,,,  
12,1,,26716-100002,, "NUT M10",1,1,,,,,,,,,,,,,,,,,,,,,  
13,1,,26736-140002,, "NUT M14",1,1,,,,,,,,,,,,,,,,,,,,,  
14,1,,172143-45250,, "LINK(A), ARM",1,1,,,,,,,,,,,,,,,,,,,,,  
15,1,,172143-45320,, "LINK W/BUSH,TURNING",1,1,,,,,,,,,,,,,,,,,,,,,  
16,2,,172141-41370,, "BUSH 2015",2,2,,,,,,,,,,,,,,,,,,,,,  
18,1,,172143-45500,, STAY,1,1,,,,,,,,,,,,,,,,,,,,,  
19,1,,172143-45550,, STAY,1,1,,,,,,,,,,,,,,,,,,,,,  
20,1,,172122-45720,, "ROD-END 14",2,2,,,,,,,,,,,,,,,,,,,,,  
21,1,,172143-45720,, "LINK(B), ARM",2,2,,,,,,,,,,,,,,,,,,,,,  
22,1,,172143-45730,, "LINK W/BUSH",1,1,,,,,,,,,,,,,,,,,,,,,  
24,2,,172141-41370,, "BUSH 2015",2,2,,,,,,,,,,,,,,,,,,,,,  
25,1,,172143-45770,, "SHAFT 433",1,1,,,,,,,,,,,,,,,,,,,,,  
26,1,,172124-46200,, "O-RING 27X5.7",7,7,,,,,,,,,,,,,,,,,,,,,  
27,1,,22137-100000,, "WASHER 10",3,3,,,,,,,,,,,,,,,,,,,,,  
28,1,,22157-120000,, "WASHER 12",2,2,,,,,,,,,,,,,,,,,,,,,  
29,1,,22217-100000,, "SPRING WASHER 10",3,3,,,,,,,,,,,,,,,,,,,,,  
30,1,,22217-140000,, "SPRING WASHER 14",2,2,,,,,,,,,,,,,,,,,,,,,  
31,1,,22351-050036,, "SPRING PIN 5X36",2,2,,,,,,,,,,,,,,,,,,,,,  
32,1,,24761-040000,, "NIPPLE B,GREASE",3,3,,,,,,,,,,,,,,,,,,,,,  
33,1,,26013-100252,, "BOLT M10X 25",2,2,,,,,,,,,,,,,,,,,,,,,  
34,1,,26116-100202,, "BOLT M10X 20 PLATED",3,3,,,,,,,,,,,,,,,,,,,,,  
35,1,,26716-140002,, "NUT M14",2,2,,,,,,,,,,,,,,,,,,,,,  
36,1,,172141-42970,, "PIN 6X15",2,2,,,,,,,,,,,,,,,,,,,,,  
37,1,,172143-45630,, "ROD, LINK(L)",2,2,,,,,,,,,,,,,,,,,,,,,  
38,1,,172143-45650,, "ROD(A), SPOOL",2,2,,,,,,,,,,,,,,,,,,,,,  
39,1,,172143-45670,, "ROD, END 8",1,1,,,,,,,,,,,,,,,,,,,,,  
40,1,,172122-46590,, "ELBALL 8",2,2,,,,,,,,,,,,,,,,,,,,,  
41,1,,172122-46590,, "ELBALL 8",1,1,,,,,,,,,,,,,,,,,,,,,  
42,1,,172122-47250,, "BALL 8, LINK",2,2,,,,,,,,,,,,,,,,,,,,,  
43,1,,1C6281-52310,, "PIN 6,COME-OFF SNAP",2,2,,,,,,,,,,,,,,,,,,,,,  
44,1,,22217-080000,, "SPRING WASHER 8",4,4,,,,,,,,,,,,,,,,,,,,,  
45,1,,22217-080000,, "SPRING WASHER 8",2,2,,,,,,,,,,,,,,,,,,,,,  
46,1,,22217-080000,, "SPRING WASHER 8",2,2,,,,,,,,,,,,,,,,,,,,,  
47,1,,26116-080302,, "BOLT M 8X 30 PLATED",1,1,,,,,,,,,,,,,,,,,,,,,  
48,1,,26716-080002,, "NUT M 8",9,9,,,,,,,,,,,,,,,,,,,,,  
49,1,,26716-080002,, "NUT M 8",4,4,,,,,,,,,,,,,,,,,,,,,  
50,1,,26716-080002,, "NUT M 8",1,1,,,,,,,,,,,,,,,,,,,,,  
51,1,,172122-46590,, "ELBALL 8",2,2,,,,,,,,,,,,,,,,,,,,,

Fig. 23 ソウジュウソウチ (アーム & センカイ)  
CONTROL EQUIPMENT (ARM & TURNING)

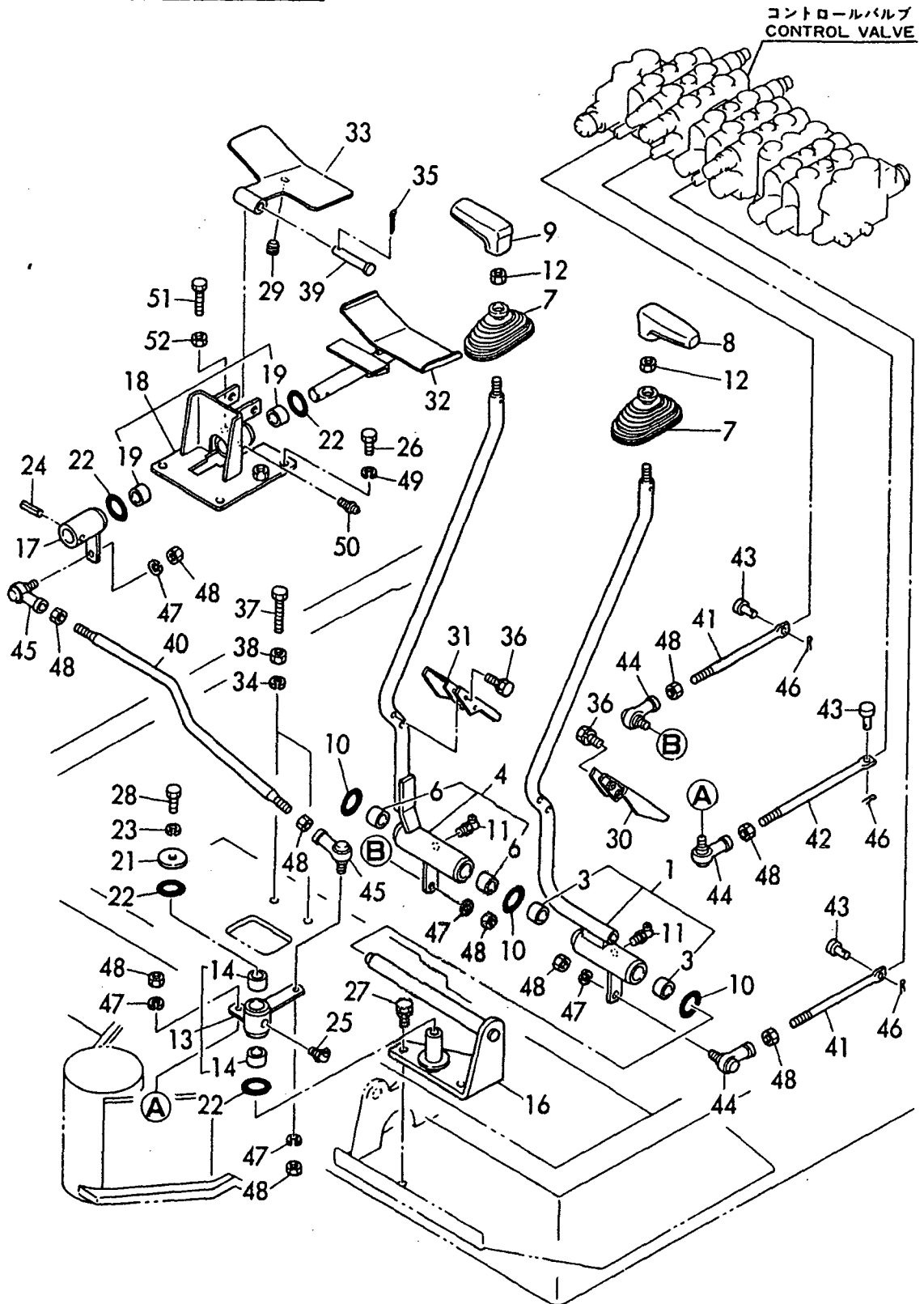
COUNTRY	U K	A S	EX
Fig. No.	23	25.27.29	25.27.29



1,1,,172141-41170,, "LEVER(L) W/BUSH",1,1,,,,,,,,,,,,,,,,,,,,,  
3,2,,172141-41370,, "BUSH 2015",2,2,,,,,,,,,,,,,,,,,,,,,  
4,1,,172141-41230,, "LEVER(R) W/BUSH",1,1,,,,,,,,,,,,,,,,,,,,,  
6,2,,172141-41370,, "BUSH 2015",2,2,,,,,,,,,,,,,,,,,,,,,  
7,1,,172141-41340,, "BOOTS",2,2,,,,,,,,,,,,,,,,,,,,,  
8,1,,172122-45050,, "KNOB (L)",1,1,,,,,,,,,,,,,,,,,,,,,  
9,1,,172122-45060,, "KNOB (R)",1,1,,,,,,,,,,,,,,,,,,,,,  
10,1,,172124-46200,, "O-RING 27X5.7",3,3,,,,,,,,,,,,,,,,,,,,,  
11,1,,24761-050000,, "NIPPLE C,GREASE",2,2,,,,,,,,,,,,,,,,,,,,,  
12,1,,26716-100002,, "NUT M10",2,2,,,,,,,,,,,,,,,,,,,,,  
13,1,,172141-41610,, "LINK W/BUSH, SWING",1,1,,,,,,,,,,,,,,,,,,,,,  
14,2,,172141-41370,, "BUSH 2015",2,2,,,,,,,,,,,,,,,,,,,,,  
16,1,,172141-41760,, "SHAFT, TRACK",1,1,,,,,,,,,,,,,,,,,,,,,  
17,1,,172143-45360,, "LINK, SWING",1,1,,,,,,,,,,,,,,,,,,,,,  
18,1,,172143-45450,, "BRACKET ASSY",1,1,,,,,,,,,,,,,,,,,,,,,  
19,2,,172141-41370,, "BUSH 2015",2,2,,,,,,,,,,,,,,,,,,,,,  
21,1,,1A1040-45890,, "WASHER 10 36 4.5",1,1,,,,,,,,,,,,,,,,,,,,,  
22,1,,172124-46200,, "O-RING 27X5.7",4,4,,,,,,,,,,,,,,,,,,,,,  
23,1,,22217-100000,, "SPRING WASHER 10",1,1,,,,,,,,,,,,,,,,,,,,,  
24,1,,22351-050036,, "SPRING PIN 5X36",1,1,,,,,,,,,,,,,,,,,,,,,  
25,1,,24761-050000,, "NIPPLE C,GREASE",1,1,,,,,,,,,,,,,,,,,,,,,  
26,1,,26116-100202,, "BOLT M10X 20 PLATED",4,4,,,,,,,,,,,,,,,,,,,,,  
27,1,,26013-100252,, "BOLT M10X 25",3,3,,,,,,,,,,,,,,,,,,,,,  
28,1,,26116-100202,, "BOLT M10X 20 PLATED",1,1,,,,,,,,,,,,,,,,,,,,,  
29,1,,172111-16890,, "GROMMET 9",1,1,,,,,,,,,,,,,,,,,,,,,  
30,1,,172141-41840,, "PEDAL(L), TRACK",1,1,,,,,,,,,,,,,,,,,,,,,  
31,1,,172141-41850,, "PEDAL(R), TRACK",1,1,,,,,,,,,,,,,,,,,,,,,  
32,1,,172141-41900,, "PEDAL, SWING",1,1,,,,,,,,,,,,,,,,,,,,,  
33,1,,172141-41940,, "LOCK, SWING",1,1,,,,,,,,,,,,,,,,,,,,,  
34,1,,22217-100000,, "SPRING WASHER 10",2,2,,,,,,,,,,,,,,,,,,,,,  
35,1,,22417-250200,, "COTTER PIN 2.5X20",1,1,,,,,,,,,,,,,,,,,,,,,  
36,1,,26013-060352,, "BOLT M 6X 35",4,4,,,,,,,,,,,,,,,,,,,,,  
37,1,,26116-100602,, "BOLT M10X 60 PLATED",2,2,,,,,,,,,,,,,,,,,,,,,  
38,1,,26716-100002,, "NUT M10",2,2,,,,,,,,,,,,,,,,,,,,,  
39,1,,933171-18390,, "PIN, FOOT BAR",1,1,,,,,,,,,,,,,,,,,,,,,  
40,1,,172141-42860,, "ROD, SWING",1,1,,,,,,,,,,,,,,,,,,,,,  
41,1,,172141-42890,, "ROD(C), SPOOL",2,2,,,,,,,,,,,,,,,,,,,,,  
42,1,,172141-42910,, "ROD(D), SPOOL",1,1,,,,,,,,,,,,,,,,,,,,,  
43,1,,172141-42970,, "PIN 6X15",3,3,,,,,,,,,,,,,,,,,,,,,  
44,1,,172122-46590,, "ELBALL 8",3,3,,,,,,,,,,,,,,,,,,,,,  
45,1,,172122-46590,, "ELBALL 8",2,2,,,,,,,,,,,,,,,,,,,,,  
46,1,,1C6281-52310,, "PIN 6,COME-OFF SNAP",3,3,,,,,,,,,,,,,,,,,,,,,  
47,1,,22217-080000,, "SPRING WASHER 8",5,5,,,,,,,,,,,,,,,,,,,,,  
48,1,,26716-080002,, "NUT M 8",10,10,,,,,,,,,,,,,,,,,,,,,  
49,1,,22217-100000,, "SPRING WASHER 10",4,4,,,,,,,,,,,,,,,,,,,,,  
50,1,,24761-020000,, "NIPPLE PT1/8,GREASE",1,1,,,,,,,,,,,,,,,,,,,,,  
51,1,,26116-100302,, "BOLT M10X 30 PLATED",1,1,,,,,,,,,,,,,,,,,,,,,  
52,1,,26716-100002,, "NUT M10",1,1,,,,,,,,,,,,,,,,,,,,,

Fig. **24** ソウジュウソウチ (ソウコウ & スイング)  
**CONTROL EQUIPMENT (TRAVEL & SWING)**

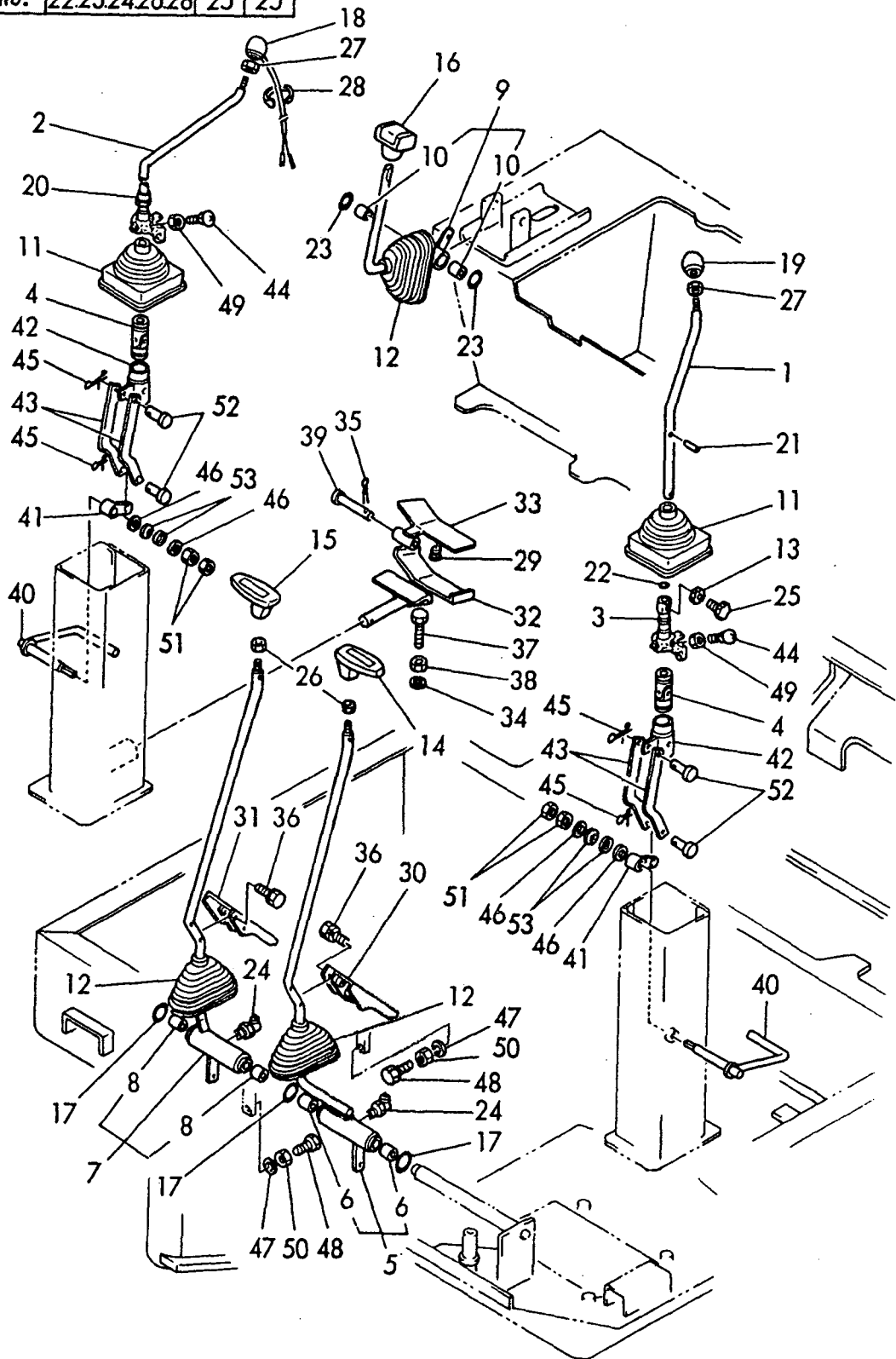
COUNTRY	UK	AS	EX
Fig. No.	24	25.27.29	25.27.29



1,1,,172141-41100,,LEVER(L),1,1,,,,,,,,,,,,,  
2,1,,172141-41110,,LEVER(R),1,1,,,,,,,,,,,,,  
3,1,,172141-41150,, "LINK(L), LEVER",1,1,,,,,,,,,,,,,  
4,1,,172141-41160,,JOINT,2,2,,,,,,,,,,,,,  
5,1,,172141-41170,, "LEVER(L) W/BUSH",1,1,,,,,,,,,,,,,  
6,2,,172141-41370,, "BUSH 2015",2,2,,,,,,,,,,,,,  
7,1,,172141-41230,, "LEVER(R) W/BUSH",1,1,,,,,,,,,,,,,  
8,2,,172141-41370,, "BUSH 2015",2,2,,,,,,,,,,,,,  
9,1,,172141-41270,, "LEVER W/BUSH, BLADE",1,1,,,,,,,,,,,,,  
10,2,,172141-41360,, "BUSH 1415",2,2,,,,,,,,,,,,,  
11,1,,172141-41330,, "BOOTS, LEVER",2,2,,,,,,,,,,,,,  
12,1,,172141-41340,,BOOTS,3,3,,,,,,,,,,,,,  
13,1,,26716-080002,, "NUT M 8",1,1,,,,,,,,,,,,,  
14,1,,172122-45050,, "KNOB (L)",1,1,,,,,,,,,,,,,  
15,1,,172122-45060,, "KNOB (R)",1,1,,,,,,,,,,,,,  
16,1,,172116-45940,, "KNOB (C), LEVER",1,1,,,,,,,,,,,,,  
17,1,,172124-46200,, "O-RING 27X5.7",3,3,,,,,,,,,,,,,  
18,1,,172312-46301,,KNOB(A),1,1,,,,,,,,,,,,,  
19,1,,172312-46321,,KNOB(B),1,1,,,,,,,,,,,,,  
20,1,,172141-41310,,GROMMET,1,1,,,,,72141179,,,,,  
21,1,,22351-030010,, "SPRING PIN 3X10",1,1,,,,,,,,,,,,,  
22,1,,24311-000140,, "O-RING 1A P-14.0",1,1,,,,,,,,,,,,,  
23,1,,24311-000210,, "O-RING 1A P-21.0",2,2,,,,,,,,,,,,,  
24,1,,24761-050000,, "NIPPLE C,GREASE",2,2,,,,,,,,,,,,,  
25,1,,26116-080202,, "BOLT M 8X 20 PLATED",1,1,,,,,,,,,,,,,  
26,1,,26716-100002,, "NUT M10",2,2,,,,,,,,,,,,,  
27,1,,26757-100002,, "LOCK NUT M10 PLATED",2,2,,,,,,,,,,,,,  
28,1,,933168-55770,, "BAND 146",2,2,,,,,,,,,,,,,  
29,1,,172111-16890,, "GROMMET 9",1,1,,,,,,,,,,,,,  
30,1,,172141-41840,, "PEDAL(L), TRACK",1,1,,,,,,,,,,,,,  
31,1,,172141-41850,, "PEDAL(R), TRACK",1,1,,,,,,,,,,,,,  
32,1,,172141-41900,, "PEDAL, SWING",1,1,,,,,,,,,,,,,  
33,1,,172141-41940,, "LOCK, SWING",1,1,,,,,,,,,,,,,  
34,1,,22217-100000,, "SPRING WASHER 10",2,2,,,,,,,,,,,,,  
35,1,,22417-250200,, "COTTER PIN 2.5X20",1,1,,,,,,,,,,,,,  
36,1,,26013-060352,, "BOLT M 6X 35",4,4,,,,,,,,,,,,,  
37,1,,26116-100404,, "BOLT M10X 40 PLATED",2,2,,,,,,,,,,,,,  
38,1,,26716-100002,, "NUT M10",2,2,,,,,,,,,,,,,  
39,1,,933171-18390,, "PIN, FOOT BAR",1,1,,,,,,,,,,,,,  
40,1,,172141-42501,, "LEVER, LOCK",2,2,,,,,,,,,,,,,  
41,1,,172141-42551,, "ARM, LOCK",2,2,,,,,,,,,,,,,  
42,1,,172141-42600,, "PIPE, LOCK",2,2,,,,,,,,,,,,,  
43,1,,172141-42700,, "LINK, LOCK",4,4,,,,,,,,,,,,,  
44,1,,172141-42750,, "BOLT, STOPPER",8,8,,,,,,,,,,,,,  
45,1,,1C6281-52310,, "PIN 6,COME-OFF SNAP",4,4,,,,,,,,,,,,,  
46,1,,22137-120000,, "WASHER 12",4,4,,,,,,,,,,,,,  
47,1,,22217-100000,, "SPRING WASHER 10",4,4,,,,,,,,,,,,,  
48,1,,26116-100504,, "BOLT M10X 50 PLATED",4,4,,,,,,,,,,,,,  
49,1,,26716-080002,, "NUT M 8",8,8,,,,,,,,,,,,,  
50,1,,26716-100002,, "NUT M10",4,4,,,,,,,,,,,,,  
51,1,,26756-120002,, "LOCK NUT M12 PLATED",4,4,,,,,,,,,,,,,  
52,1,,933110-54100,, "PIN 4.75X14",4,4,,,,,,,,,,,,,  
53,1,,933170-01490,, "SPRING 12",4,4,,,,,,,,,,,,,

Fig. **25** ソウジュウソウチ(レバー) CONTROL EQUIPMENT (LEVER)

COUNTRY	U K	A S E X
Fig. No.	2223242628	25 25

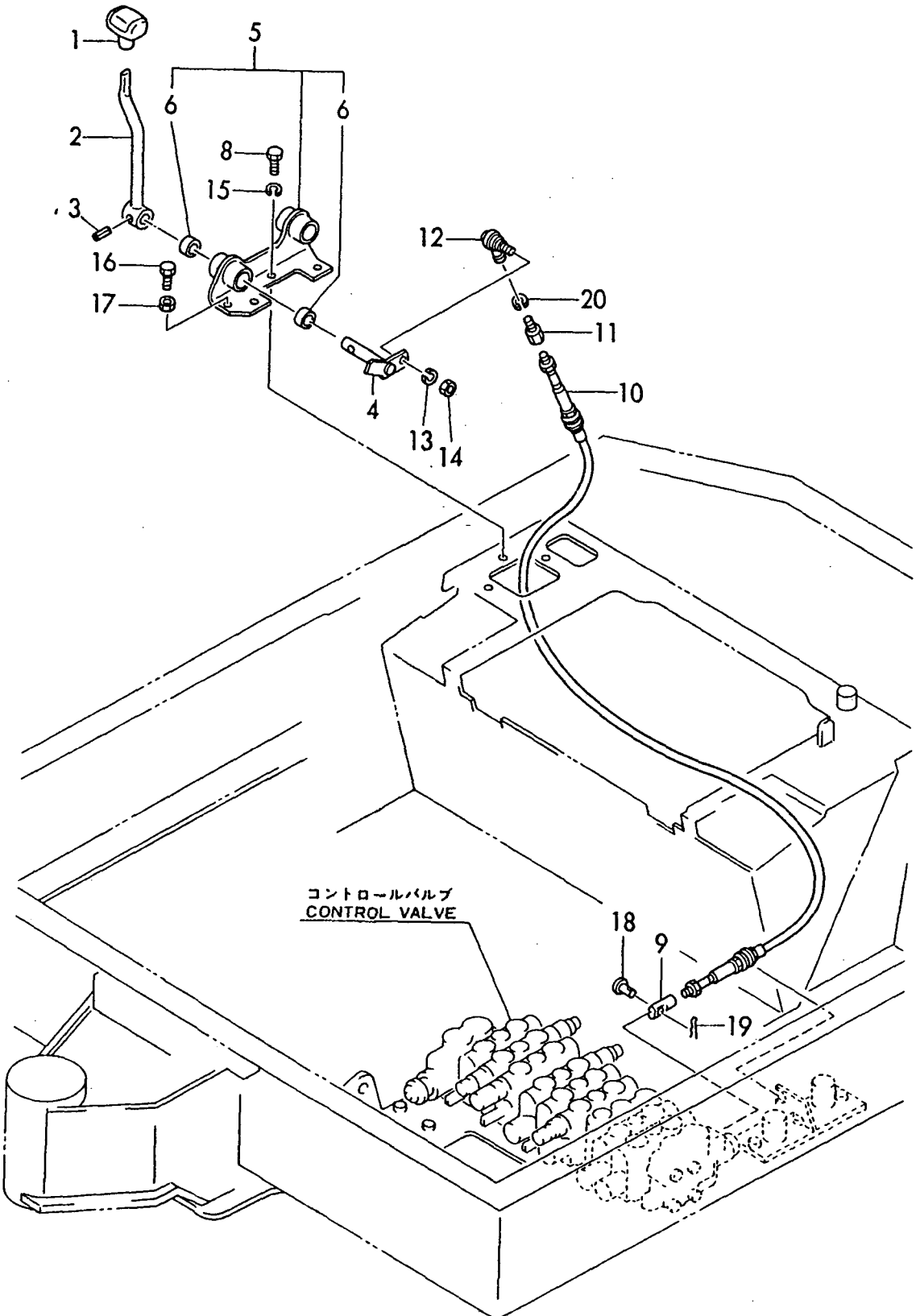




1,1,,172116-45940,, "KNOB (C), LEVER",1,1,,,,,,,,,,,,,  
2,1,,172142-46260,, "LEVER, BLADE",1,1,,,,,,,,,,,,,  
3,1,,22351-050032,, "SPRING PIN 5X32",1,1,,,,,,,,,,,,,  
4,1,,172143-45400,, "ARM, BLADE",1,1,,,,,,,,,,,,,  
5,1,,172143-45420,, BRACKET,1,1,,,,,,,,,,,,,  
6,2,,172141-41360,, "BUSH 1415",2,2,,,,,,,,,,,,,  
8,1,,26116-100202,, "BOLT M10X 20 PLATED",3,3,,,,,,,,,,,,,  
9,1,,172141-42900,, ROD(P),1,1,,,,,,,,,,,,,  
10,1,,172141-42950,, "CABLE, BLADE",1,1,,,,,,,,,,,,,  
11,1,,172141-42960,, "JOINT, CABLE",1,1,,,,,,,,,,,,,  
12,1,,172122-46590,, "ELBALL 8",1,1,,,,,,,,,,,,,  
13,1,,22217-080000,, "SPRING WASHER 8",1,1,,,,,,,,,,,,,  
14,1,,26716-080002,, "NUT M 8",1,1,,,,,,,,,,,,,  
15,1,,22217-100000,, "SPRING WASHER 10",3,3,,,,,,,,,,,,,  
16,1,,26116-100302,, "BOLT M10X 30 PLATED",1,1,,,,,,,,,,,,,  
17,1,,26716-100002,, "NUT M10",1,1,,,,,,,,,,,,,  
18,1,,172141-42970,, "PIN 6X15",1,1,,,,,,,,,,,,,  
19,1,,1C6281-52310,, "PIN 6, COME-OFF SNAP",1,1,,,,,,,,,,,,,  
20,1,,22217-080000,, "SPRING WASHER 8",1,1,,,,,,,,,,,,,

Fig. **26** ソウジュウソウチ (ブレード)  
 CONTROL EQUIPMENT (BLADE)

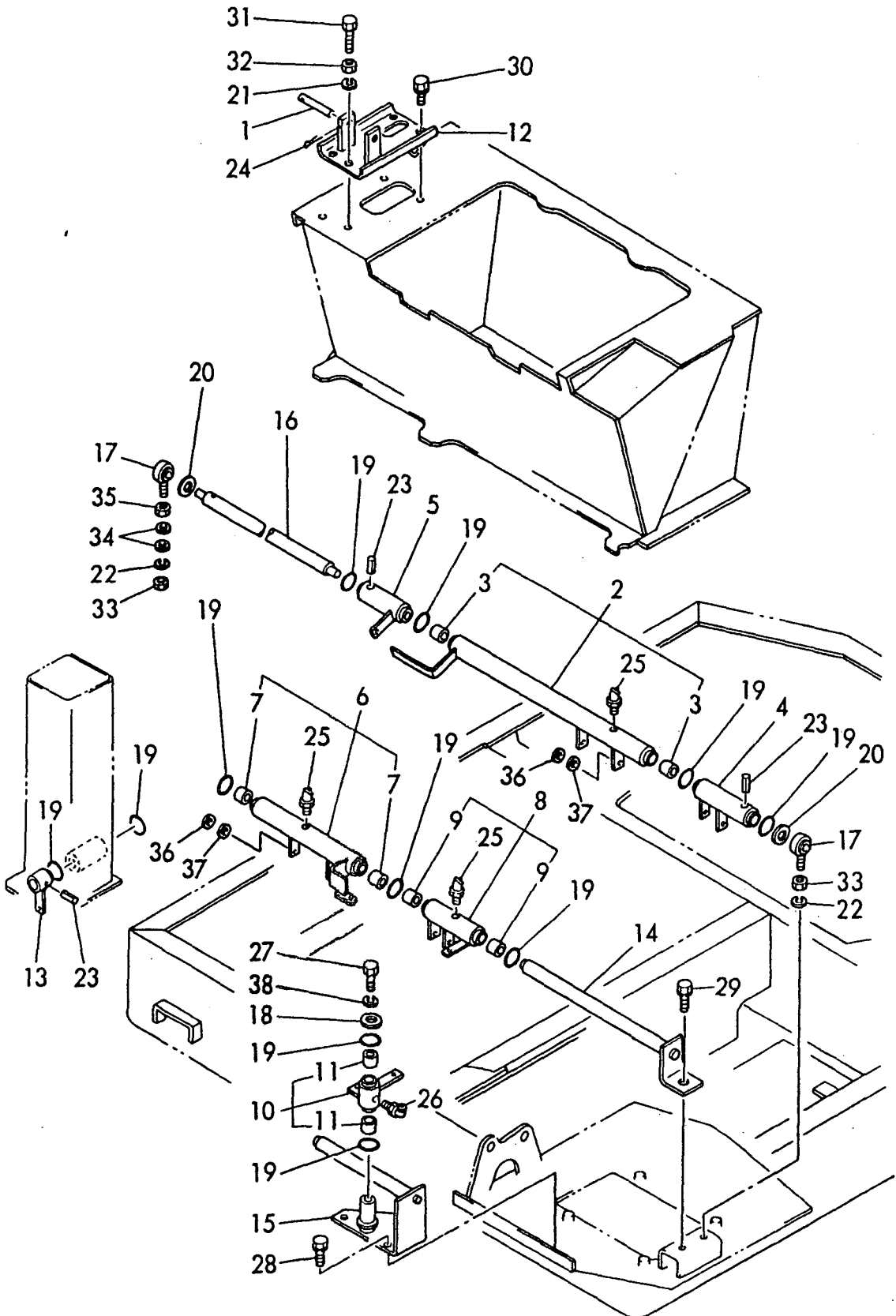
COUNTRY	U K	A S	E X
Fig. No.	26	25.27.29	25.27.29



1,1,,172112-41380,, "SHAFT, BLADE LEVER",1,1,,,,,,,,,,,,,  
2,1,,172141-41400,, "LINK W/BUSH, BOOM",1,1,,,,,,,,,,,,,  
3,2,,172141-41370,, "BUSH 2015",2,2,,,,,,,,,,,,,  
4,1,,172141-41460,, "LINK(A), BUCKET",1,1,,,,,,,,,,,,,  
5,1,,172141-41490,, "LINK(B), BUCKET",1,1,,,,,,,,,,,,,  
6,1,,172141-41510,, "LINK W/BUSH, ARM",1,1,,,,,,,,,,,,,  
7,2,,172141-41370,, "BUSH 2015",2,2,,,,,,,,,,,,,  
8,1,,172141-41570,, "LINK W/BUSH, TURNING",1,1,,,,,,,,,,,,,  
9,2,,172141-41370,, "BUSH 2015",2,2,,,,,,,,,,,,,  
10,1,,172141-41610,, "LINK W/BUSH, SWING",1,1,,,,,,,,,,,,,  
11,2,,172141-41370,, "BUSH 2015",2,2,,,,,,,,,,,,,  
12,1,,172141-41660,, "BRACKET",1,1,,,,,,,,,,,,,  
13,1,,172141-41700,, "LINK, SWING",1,1,,,,,,,,,,,,,  
14,1,,172141-41720,, "SHAFT(A)",1,1,,,,,,,,,,,,,  
15,1,,172141-41760,, "SHAFT, TRACK",1,1,,,,,,,,,,,,,  
16,1,,172141-41810,, "SHAFT, LINK",1,1,,,,,,,,,,,,,  
17,1,,172122-45720,, "ROD-END 14",2,2,,,,,,,,,,,,,  
18,1,,1A1040-45890,, "WASHER 10 36 4.5",1,1,,,,,,,,,,,,,  
19,1,,172124-46200,, "O-RING 27X5.7",11,11,,,,,,,,,,,,,  
20,1,,22157-120000,, "WASHER 12",2,2,,,,,,,,,,,,,  
21,1,,22217-100000,, "SPRING WASHER 10",1,1,,,,,,,,,,,,,  
22,1,,22217-140000,, "SPRING WASHER 14",2,2,,,,,,,,,,,,,  
23,1,,22351-050036,, "SPRING PIN 5X36",3,3,,,,,,,,,,,,,  
24,1,,22417-400400,, "COTTER PIN 4.0X40",1,1,,,,,,,,,,,,,  
25,1,,24761-040000,, "NIPPLE B,GREASE",3,3,,,,,,,,,,,,,  
26,1,,24761-050000,, "NIPPLE C,GREASE",1,1,,,,,,,,,,,,,  
27,1,,26116-100202,, "BOLT M10X 20 PLATED",1,1,,,,,,,,,,,,,  
28,1,,26013-100202,, "BOLT M10X 20",3,3,,,,,,,,,,,,,  
29,1,,26013-100202,, "BOLT M10X 20",1,1,,,,,,,,,,,,,  
30,1,,26013-100252,, "BOLT M10X 25",3,3,,,,,,,,,,,,,  
31,1,,26116-100604,, "BOLT M10X 60 PLATED",1,1,,,,,,,,,,,,,  
32,1,,26716-100002,, "NUT M10",1,1,,,,,,,,,,,,,  
33,1,,26716-140002,, "NUT M14",2,2,,,,,,,,,,,,,  
34,1,,22137-140000,, "WASHER 14",2,2,,,,,,,,,,,,,  
35,1,,26756-140002,, "LOCK NUT M14 PLATED",1,1,,,,,,,,,,,,,  
36,1,,194630-47340,, "SHIM 0.4",2,2,,,,,,,,,,,,,  
37,1,,22117-080000,, "WASHER 8",2,2,,,,,,,,,,,,,  
38,1,,22217-100000,, "SPRING WASHER 10",1,1,,,,,,,,,,,,,

**Fig. 27** ソウジュウソウチ(リンク)  
CONTROL EQUIPMENT (LINK)

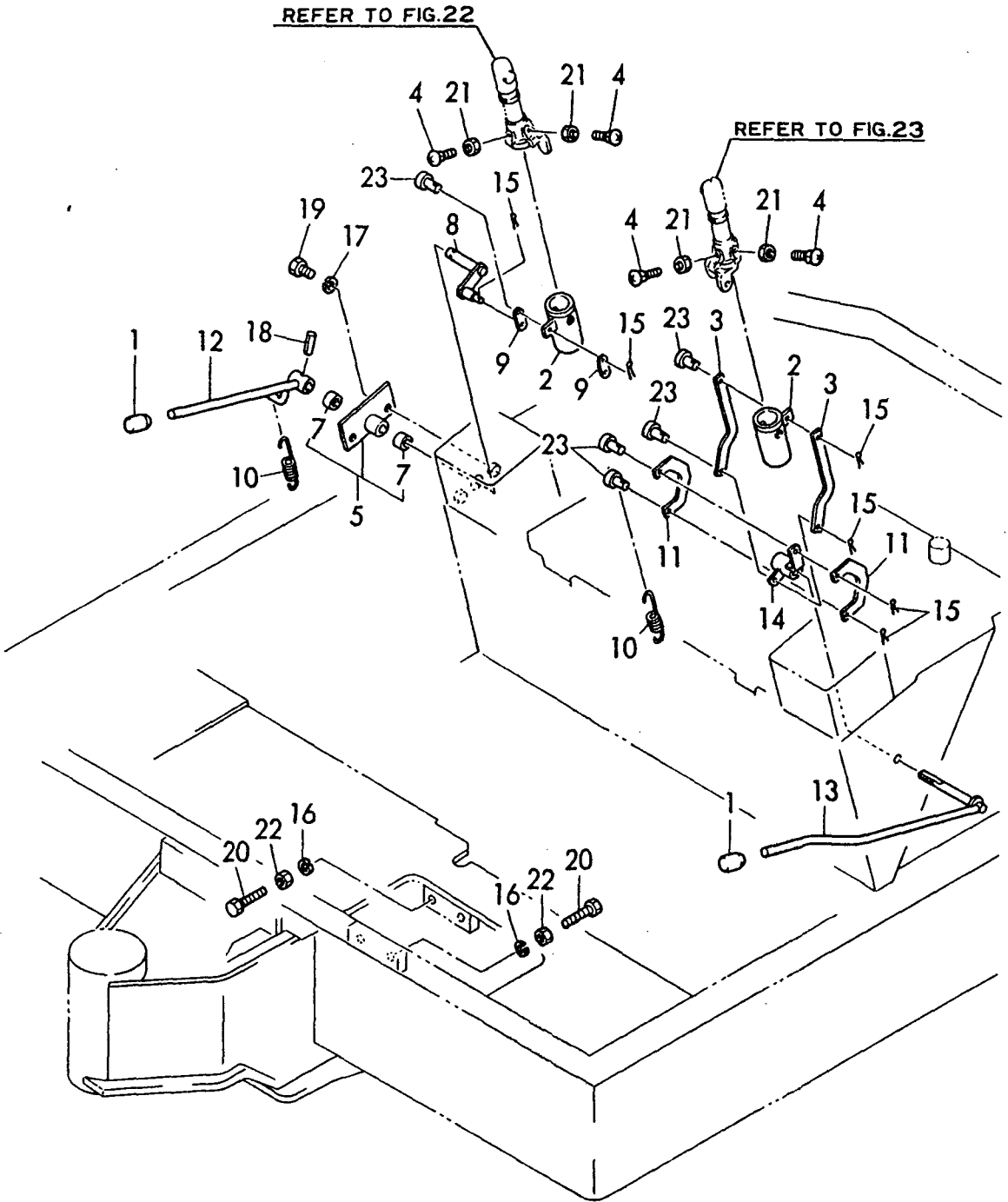
COUNTRY	U K	A S E X
Fig.No.	22232426	27 27



1,1,,194150-01190,, "KNOB, THROTTLE LEVER",2,2,,,,,,,,,,,,,  
2,1,,172141-42600,, "PIPE, LOCK",2,2,,,,,,,,,,,,,  
3,1,,172141-42700,, "LINK, LOCK",2,2,,,,,,,,,,,,,  
4,1,,172141-42750,, "BOLT, STOPPER",8,8,,,,,,,,,,,,,  
5,1,,172142-43440,, "BOSS ASY",1,1,,,,,,,,,,,,,  
7,2,,933171-23670,, BUSH,2,2,,,,,,,,,,,,,  
8,1,,172142-43490,, LINK,1,1,,,,,,,,,,,,,  
9,1,,172142-43530,, LINK,2,2,,,,,,,,,,,,,  
10,1,,172142-43910,, "SP,LOCK LEVER",2,2,,,,,,,,,,,,,  
11,1,,172142-43920,, "PLATE,LOCK",2,2,,,,,,,,,,,,,  
12,1,,172142-43980,, "LEVER, LOCK R",1,1,,,,,,,,,,,,,  
13,1,,172143-45600,, "LEVER, LOCK",1,1,,,,,,,,,,,,,  
14,1,,172143-45680,, "ARM, LOCK",1,1,,,,,,,,,,,,,  
15,1,,1C6281-52310,, "PIN 6,COME-OFF SNAP",6,6,,,,,,,,,,,,,  
16,1,,22217-100000,, "SPRING WASHER 10",4,4,,,,,,,,,,,,,  
17,1,,22217-100000,, "SPRING WASHER 10",2,2,,,,,,,,,,,,,  
18,1,,22351-050020,, "SPRING PIN 5X20",1,1,,,,,,,,,,,,,  
19,1,,26116-100202,, "BOLT M10X 20 PLATED",2,2,,,,,,,,,,,,,  
20,1,,26116-100504,, "BOLT M10X 50 PLATED",4,4,,,,,,,,,,,,,  
21,1,,26716-080002,, "NUT M 8",8,8,,,,,,,,,,,,,  
22,1,,26716-100002,, "NUT M10",4,4,,,,,,,,,,,,,  
23,1,,933110-54100,, "PIN 4.75X14",5,5,,,,,,,,,,,,,

Fig. **28** サギョウレバーストッパ  
 OPERATION LEVER STOPPER

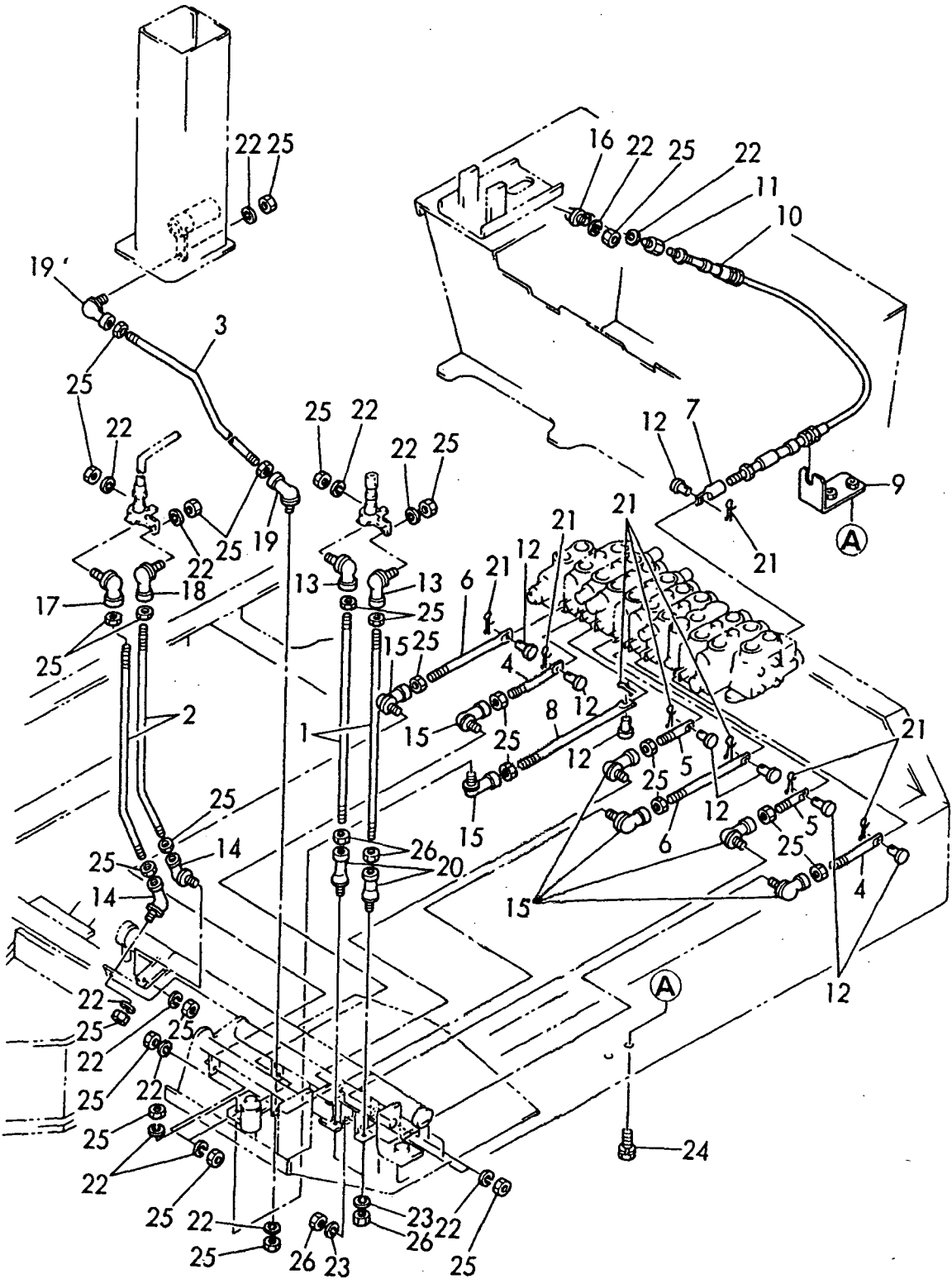
COUNTRY	U K	A S	E X
Fig. No.	28	25	25



1,1,,172141-42820,, "ROD, LINK(L)",2,2,,,,,,,,,,,,,,,,,,,,,  
2,1,,172141-42830,, "ROD, LINK(R)",2,2,,,,,,,,,,,,,,,,,,,,,  
3,1,,172141-42860,, "ROD, SWING",1,1,,,,,,,,,,,,,,,,,,,,,  
4,1,,172141-42870,, "ROD(A), SPOOL",2,2,,,,,,,,,,,,,,,,,,,,,  
5,1,,172141-42880,, "ROD(B), SPOOL",2,2,,,,,,,,,,,,,,,,,,,,,  
6,1,,172141-42890,, "ROD(C), SPOOL",2,2,,,,,,,,,,,,,,,,,,,,,  
7,1,,172141-42900,, "ROD(P)",1,1,,,,,,,,,,,,,,,,,,,,,  
8,1,,172141-42910,, "ROD(D), SPOOL",1,1,,,,,,,,,,,,,,,,,,,,,  
9,1,,172141-42920,, "SUPPORT, CABLE",1,1,,,,,,,,,,,,,,,,,,,,,  
10,1,,172141-42950,, "CABLE, BLADE",1,1,,,,,,,,,,,,,,,,,,,,,  
11,1,,172141-42960,, "JOINT, CABLE",1,1,,,,,,,,,,,,,,,,,,,,,  
12,1,,172141-42970,, "PIN 6X15",8,8,,,,,,,,,,,,,,,,,,,,,  
13,1,,172122-46590,, "ELBALL 8",2,2,,,,,,,,,,,,,,,,,,,,,  
14,1,,172122-46590,, "ELBALL 8",2,2,,,,,,,,,,,,,,,,,,,,,  
15,1,,172122-46590,, "ELBALL 8",7,7,,,,,,,,,,,,,,,,,,,,,  
16,1,,172122-46590,, "ELBALL 8",1,1,,,,,,,,,,,,,,,,,,,,,  
17,1,,172122-46590,, "ELBALL 8",1,1,,,,,,,,,,,,,,,,,,,,,  
18,1,,172122-46590,, "ELBALL 8",1,1,,,,,,,,,,,,,,,,,,,,,  
19,1,,172122-46590,, "ELBALL 8",2,2,,,,,,,,,,,,,,,,,,,,,  
20,1,,172122-47250,, "BALL 8, LINK",2,2,,,,,,,,,,,,,,,,,,,,,  
21,1,,1C6281-52310,, "PIN 6, COME-OFF SNAP",8,8,,,,,,,,,,,,,,,,,,,,,  
22,1,,22217-080000,, "SPRING WASHER 8",16,16,,,,,,,,,,,,,,,,,,,,,  
23,1,,22217-080000,, "SPRING WASHER 8",2,2,,,,,,,,,,,,,,,,,,,,,  
24,1,,26013-100202,, "BOLT M10X 20",2,2,,,,,,,,,,,,,,,,,,,,,  
25,1,,26716-080002,, "NUT M 8",30,30,,,,,,,,,,,,,,,,,,,,,  
26,1,,26716-080002,, "NUT M 8",4,4,,,,,,,,,,,,,,,,,,,,,

Fig. **29** ソウジュウソウチ(ロッド)  
CONTROL EQUIPMENT (ROD)

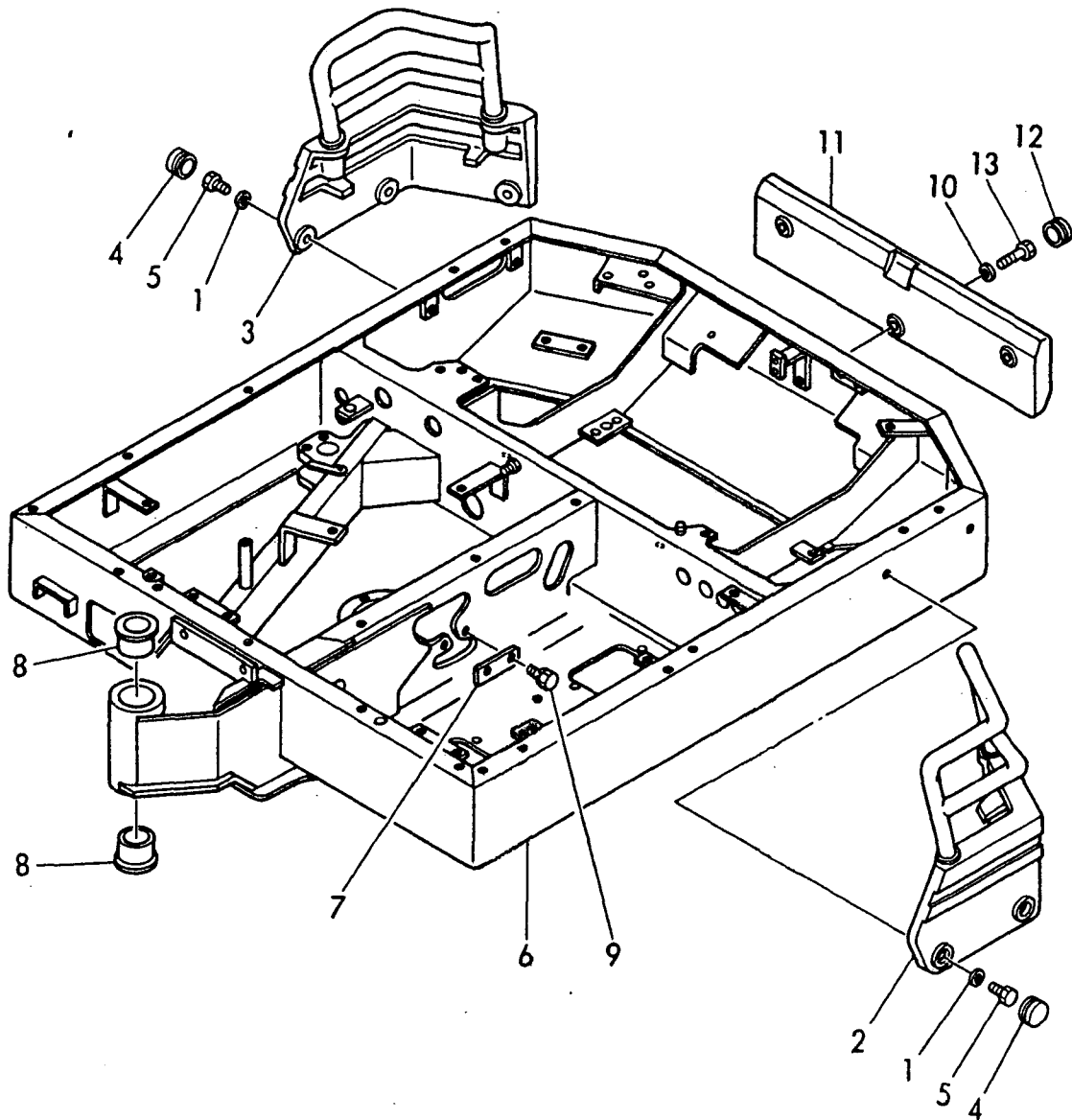
COUNTRY	UK	ASEX
Fig. No.	22232426	29 29





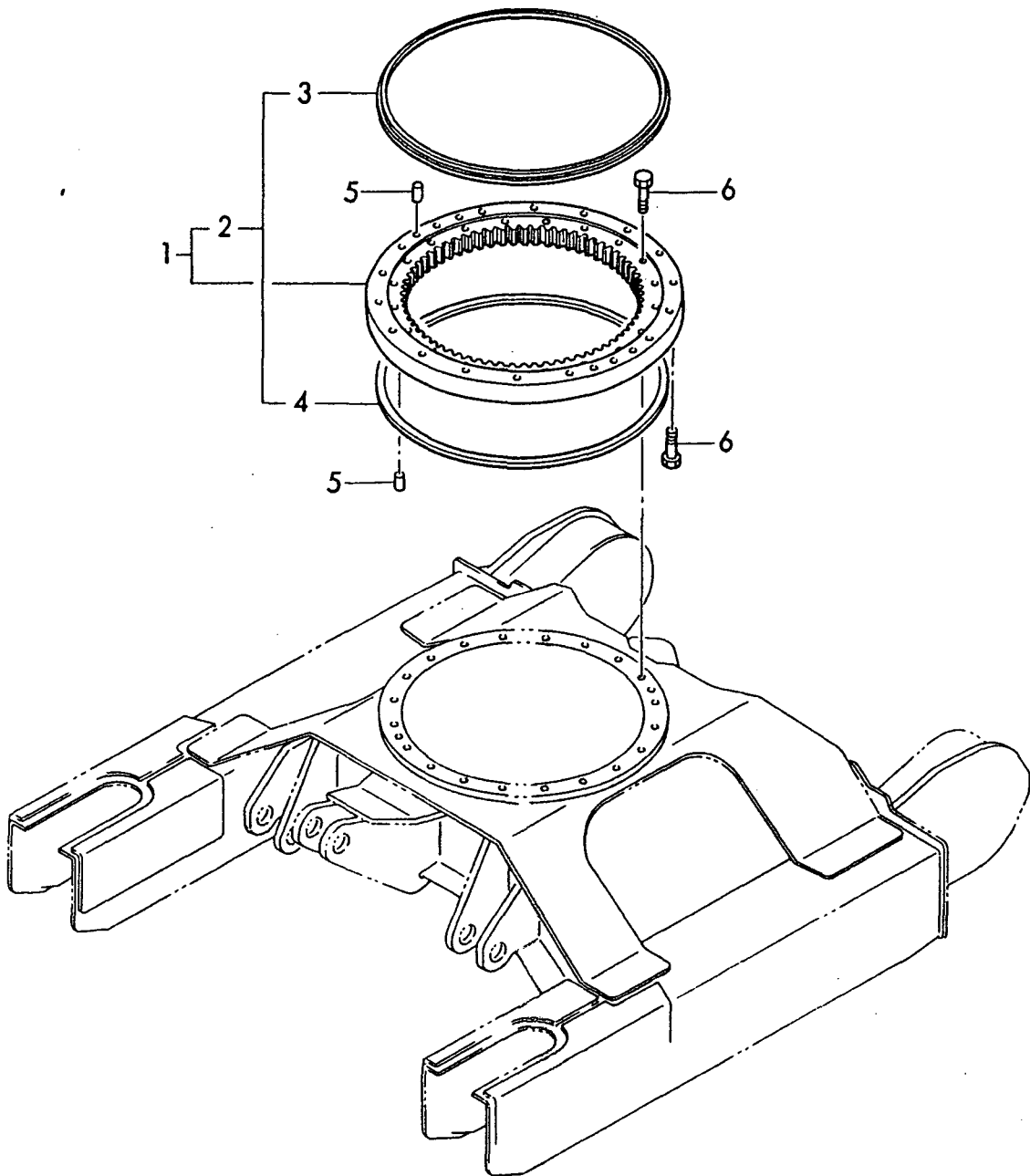
1,1,,172730-05250,, "WASHER 12",6,6,,,,,,,,,,,,,,,,,,,,,  
2,1,,172141-53201,, "PROTECTOR, REAR(L)",1,1,,,,,,,,,,,,,,,,,,,,,  
3,1,,172141-53251,, "PROTECTOR, REAR(R)",1,1,,,,,,,,,,,,,,,,,,,,,  
4,1,,172141-53350,, "GROMMET 26",6,6,,,,,,,,,,,,,,,,,,,,,  
5,1,,26013-120302,, "BOLT M12X 30",6,6,,,,,,,,,,,,,,,,,,,,,  
6,1,,172141-54100,, "FRAME, TURNING",1,1,,,,,,,,,,,,,,,,,,,,,  
7,1,,172141-54980,, "PLATE, BUSH",1,1,,,,,,,,,,,,,,,,,,,,,  
8,1,,172141-54990,, "BUSH 50",2,2,,,,,,,,,,,,,,,,,,,,,  
9,1,,26013-080202,, "BOLT M 8X 20",2,2,,,,,,,,,,,,,,,,,,,,,  
10,1,,172730-05250,, "WASHER 12",3,3,,,,,,,,,,,,,,,,,,,,,  
11,1,,172141-53300,, "WEIGHT. COUNTER",1,1,,,,,,,,,,,,,,,,,,,,,  
12,1,,172141-53350,, "GROMMET 26",3,3,,,,,,,,,,,,,,,,,,,,,  
13,1,,26116-120602,, "BOLT M12X 60 PLATED",3,3,,,,,,,,,,,,,,,,,,,,,

Fig. **30** センカイフレーム  
TURNING FRAME



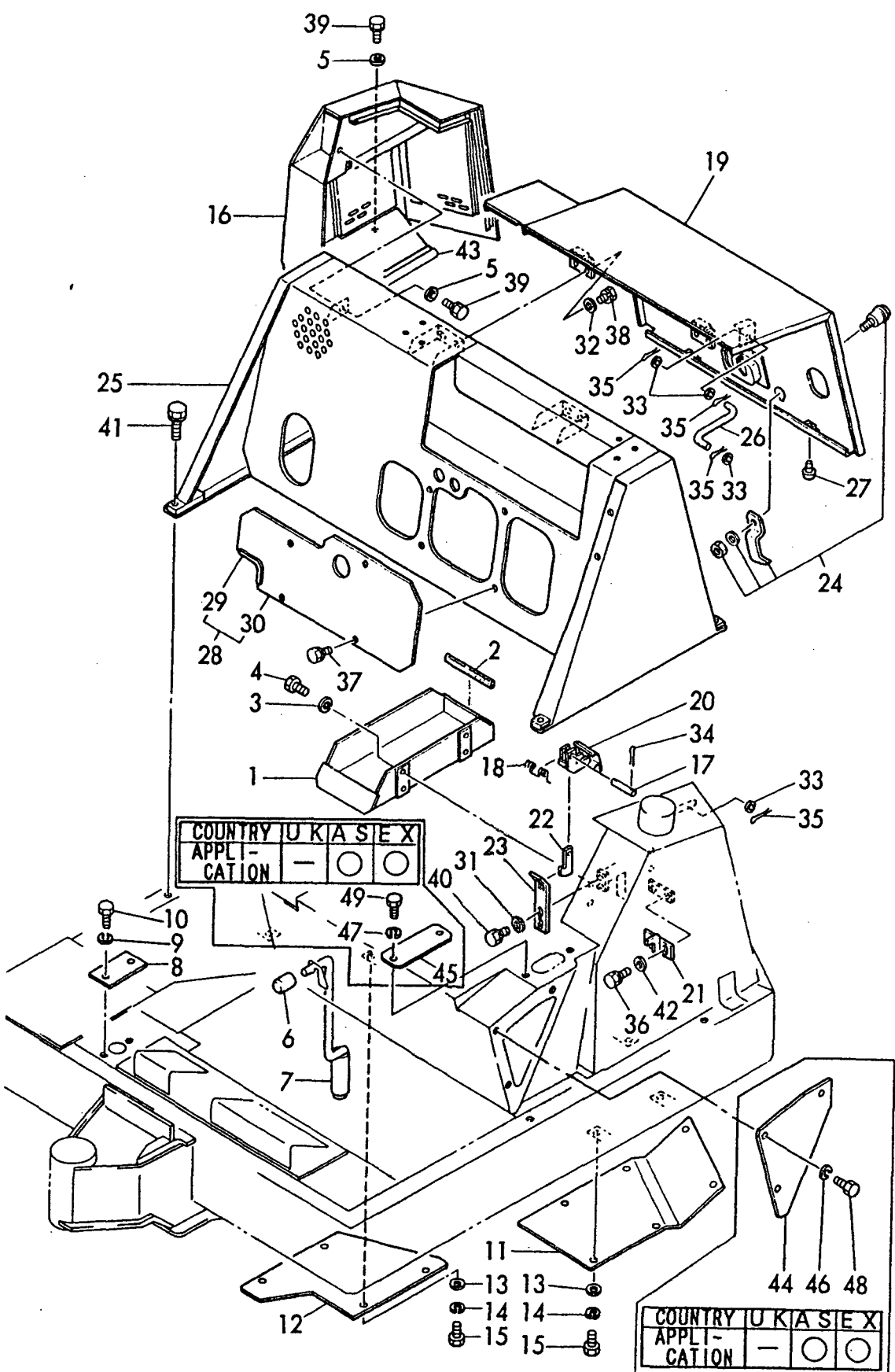
1,1,,172141-57600,, "BEARING, SWING",1,1,,,,,,,,,,,,,  
2,2,,172141-57610,, "SEAL KIT",1,1,,,,,,,,,,,,,  
3,3,,172141-57620,, "SEAL, UPPER",1,1,,,,,,,,,,,,,  
4,3,,172141-57630,, "SEAL,LOWER",1,1,,,,,,,,,,,,,  
5,1,,22312-100280,, "PARALLEL PIN 10X28",4,4,,,,,,,,,,,,,  
6,1,,26116-120552,, "BOLT M12X 55 PLATED",38,38,,,,,,,,,,,,,

Fig. 31 センカイクドウソウチ  
TURNING DRIVING GEARS



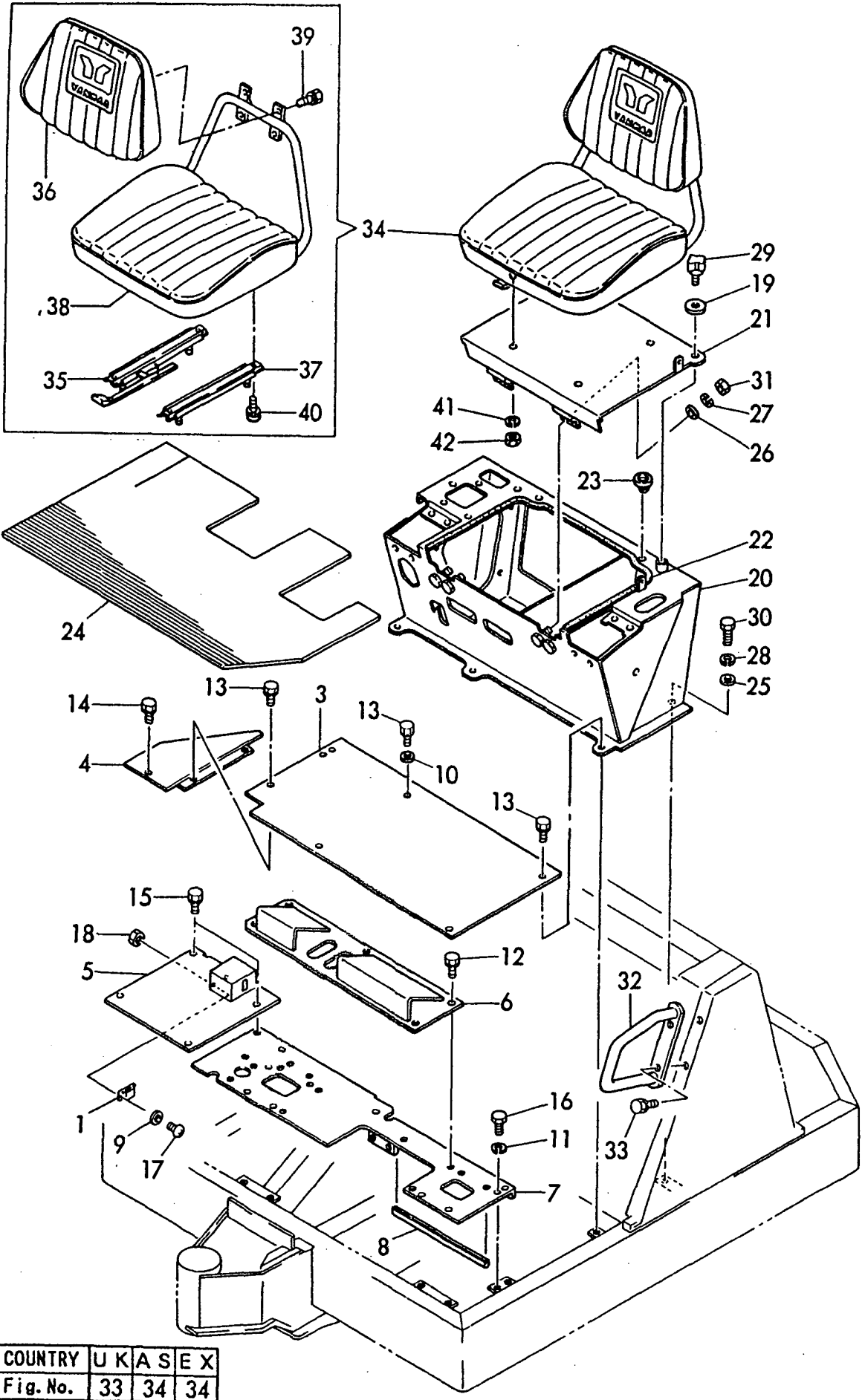
1,1,,172141-05300,, "BOX, TOOL",1,1,,,,,,,,,,,,,,,,,,,,,  
2,1,,172738-61630,, "RUBBER 150",1,1,,,,,,,,,,,,,,,,,,,,,  
3,1,,22217-100000,, "SPRING WASHER 10",4,4,,,,,,,,,,,,,,,,,,,,,  
4,1,,26116-100202,, "BOLT M10X 20 PLATED",4,4,,,,,,,,,,,,,,,,,,,,,  
5,1,,22137-100000,, "WASHER 10",2,2,,,,,,,,,,,,,,,,,,,,,  
6,1,,194150-01190,, "KNOB, THROTTLE LEVER",1,1,,,,,,,,,,,,,,,,,,,,,  
7,1,,172141-58800,, "PIN, LOCK",1,1,,,,,,,,,,,,,,,,,,,,,  
8,1,,172141-61110,, "COVER, DUCT",1,1,,,,,,,,,,,,,,,,,,,,,  
9,1,,22217-100000,, "SPRING WASHER 10",2,2,,,,,,,,,,,,,,,,,,,,,  
10,1,,26116-100202,, "BOLT M10X 20 PLATED",2,2,,,,,,,,,,,,,,,,,,,,,  
11,1,,172141-62500,, "COVER, UNDER(L)",1,1,,,,,,,,,,,,,,,,,,,,,  
12,1,,172141-62520,, "COVER, UNDER(R)",1,1,,,,,,,,,,,,,,,,,,,,,  
13,1,,22137-100000,, "WASHER 10",10,10,,,,,,,,,,,,,,,,,,,,,  
14,1,,22217-100000,, "SPRING WASHER 10",10,10,,,,,,,,,,,,,,,,,,,,,  
15,1,,26116-100202,, "BOLT M10X 20 PLATED",10,10,,,,,,,,,,,,,,,,,,,,,  
16,1,,172141-65090,, "COVER(R)",1,1,,,,,,,,,,,,,,,,,,,,,  
17,1,,172734-65260,, "PIN, BONNET LEVER",1,1,,,,,,,,,,,,,,,,,,,,,  
18,1,,172734-65270,, "SPRING, CATCH",1,1,,,,,,,,,,,,,,,,,,,,,  
19,1,,172141-65390,, "COVER(C)",1,1,,,,,,,,,,,,,,,,,,,,,  
20,1,,172124-65450,, "LEVER, LOCK",1,1,,,,,,,,,,,,,,,,,,,,,  
21,1,,172126-65460,, "HOOK",1,1,,,,,,,,,,,,,,,,,,,,,  
22,1,,172124-65480,, "CATCHER",1,1,,,,,,,,,,,,,,,,,,,,,  
23,1,,172124-65490,, "PLATE, CATCH",1,1,,,,,,,,,,,,,,,,,,,,,  
24,1,,172126-65500,, "KEY",1,1,,,,,,,,,,,,,,,,,,,,,  
25,1,,172141-65640,, "COVER(B)",1,1,,,,,,,,,,,,,,,,,,,,,  
26,1,,172142-65650,, "ROD, STOPPER",1,1,,,,,,,,,,,,,,,,,,,,,  
27,1,,172137-65700,, "RUBBER, CUSHION",2,2,,,,,,,,,,,,,,,,,,,,,  
28,1,,172141-65900,, "PLATE",1,1,,,,,,,,,,,,,,,,,,,,,  
29,2,,172141-65970,, "RUBBER, PLATE",1,1,,,,,,,,,,,,,,,,,,,,,  
30,2,,172141-65980,, "PLATE, COVER(B)",1,1,,,,,,,,,,,,,,,,,,,,,  
31,1,,22137-100000,, "WASHER 10",2,2,,,,,,,,,,,,,,,,,,,,,  
32,1,,22137-100000,, "WASHER 10",4,4,,,,,,,,,,,,,,,,,,,,,  
33,1,,22137-120000,, "WASHER 12",4,4,,,,,,,,,,,,,,,,,,,,,  
34,1,,22417-200200,, "COTTER PIN 2.0X20",2,2,,,,,,,,,,,,,,,,,,,,,  
35,1,,22417-320200,, "COTTER PIN 3.2X20",4,4,,,,,,,,,,,,,,,,,,,,,  
36,1,,26013-080162,, "BOLT M 8X 16",2,2,,,,,,,,,,,,,,,,,,,,,  
37,1,,26013-100162,, "BOLT M10X 16",4,4,,,,,,,,,,,,,,,,,,,,,  
38,1,,26013-100252,, "BOLT M10X 25",4,4,,,,,,,,,,,,,,,,,,,,,  
39,1,,26013-100252,, "BOLT M10X 25",2,2,,,,,,,,,,,,,,,,,,,,,  
40,1,,26013-100252,, "BOLT M10X 25",2,2,,,,,,,,,,,,,,,,,,,,,  
41,1,,26013-120452,, "BOLT M12X 45",4,4,,,,,,,,,,,,,,,,,,,,,  
42,1,,933152-02900,, "WASHER",2,2,,,,,,,,,,,,,,,,,,,,,  
43,1,,172141-65330,, "RUBBER(R)",1,1,,,,,,,,,,,,,,,,,,,,,  
44,1,,172141-61100,, "COVER, SEAT MOUNT",1,1,,,,,,,,,1,,,,,,,,,,,,,  
45,1,,172141-61120,, "COVER, 3RD",1,1,,,,,,,,,1,,,,,,,,,,,,,  
46,1,,22217-080000,, "SPRING WASHER 8",3,3,,,,,,,,,1,,,,,,,,,,,,,  
47,1,,22217-080000,, "SPRING WASHER 8",2,2,,,,,,,,,1,,,,,,,,,,,,,  
48,1,,26116-080162,, "BOLT M 8X 16 PLATED",3,3,,,,,,,,,1,,,,,,,,,,,,,  
49,1,,26116-080162,, "BOLT M 8X 16 PLATED",2,2,,,,,,,,,1,,,,,,,,,,,,,

Fig. 32 **ボンネット**  
**BONNET**



1,1,,172135-14250,, "CATCH, MAGNT",1,1,,,,,,,,,,,,,,,,,,,,,  
3,1,,172141-62140,, "STEP(A), CENTER",1,1,,,,,,,,,,,,,,,,,,,,,  
4,1,,172141-62170,, "STEP(B), CENTER",1,1,,,,,,,,,,,,,,,,,,,,,  
5,1,,172143-62210,, "STEP(T), SIDE",1,1,,,,,,,,,,,,,,,,,,,,,  
6,1,,172142-62230,, "STEP CMP,FRONT T",1,1,,,,,,,,,,,,,,,,,,,,,  
7,1,,172141-62250,, "BASE, SUPPORT",1,1,,,,,,,,,,,,,,,,,,,,,  
8,1,,172141-78790,, RUMMER,1,1,,,,,,,,,,,,,,,,,,,,,  
9,1,,22137-030000,, "WASHER 3",2,2,,,,,,,,,,,,,,,,,,,,,  
10,1,,22137-100000,, "WASHER 10",1,1,,,,,,,,,,,,,,,,,,,,,  
11,1,,22217-100000,, "SPRING WASHER 10",1,1,,,,,,,,,,,,,,,,,,,,,  
12,1,,26013-100202,, "BOLT M10X 20",5,5,,,,,,,,,,,,,,,,,,,,,  
13,1,,26013-100202,, "BOLT M10X 20",7,7,,,,,,,,,,,,,,,,,,,,,  
14,1,,26013-100202,, "BOLT M10X 20",1,1,,,,,,,,,,,,,,,,,,,,,  
15,1,,26013-100202,, "BOLT M10X 20",4,4,,,,,,,,,,,,,,,,,,,,,  
16,1,,26116-100202,, "BOLT M10X 20 PLATED",1,1,,,,,,,,,,,,,,,,,,,,,  
17,1,,26557-030122,, "SCREW M 3X 12",2,2,,,,,,,,,,,,,,,,,,,,,  
18,1,,26717-030002,, "NUT M 3",2,2,,,,,,,,,,,,,,,,,,,,,  
19,1,,1A1040-46460,, "WASHER 10X33X4.5",1,1,,,,,,,,,,,,,,,,,,,,,  
20,1,,172143-64200,, "MOUNT, SEAT",1,1,,,,,,,,,,,,,,,,,,,,,  
21,1,,172143-64350,, "PLATE, SEAT",1,1,,,,,,,,,,,,,,,,,,,,,  
22,1,,172141-64350,, "SEAL, MOUNT",1,1,,,,,,,,,,,,,,,,,,,,,  
23,1,,172141-64370,, "CUSHION, SEAT",2,2,,,,,,,,,,,,,,,,,,,,,  
24,1,,172143-64400,, "MAT, FLOOR",1,1,,,,,,,,,,,,,,,,,,,,,  
25,1,,22117-100000,, "WASHER 10",2,2,,,,,,,,,,,,,,,,,,,,,  
26,1,,22137-080000,, "WASHER 8",4,4,,,,,,,,,,,,,,,,,,,,,  
27,1,,22217-080000,, "SPRING WASHER 8",4,4,,,,,,,,,,,,,,,,,,,,,  
28,1,,22217-100000,, "SPRING WASHER 10",4,4,,,,,,,,,,,,,,,,,,,,,  
29,1,,26064-080201,, "WING BOLT M 8X 20",1,1,,,,,,,,,,,,,,,,,,,,,  
30,1,,26116-100202,, "BOLT M10X 20 PLATED",4,4,,,,,,,,,,,,,,,,,,,,,  
31,1,,26716-080002,, "NUT M 8",4,4,,,,,,,,,,,,,,,,,,,,,  
32,1,,172141-68200,, GRIP,1,,,,,,,,,,,,,,,,,,,,,  
33,1,,26013-100252,, "BOLT M10X 25",2,,,,,,,,,,,,,,,,,,,,,  
34,1,,172116-64101,, "SEAT ASSY",1,1,,,,,,,,,,,,,,,,,,,,,  
35,2,,172116-64140,, "SLIDER R",1,1,,,,,,,,,,,,,,,,,,,,,  
36,2,,172116-64181,, "BACK(A), SEAT",1,1,,,,,,,,,,,,,,,,,,,,,  
37,2,,172116-64190,, "SLIDER L",1,1,,,,,,,,,,,,,,,,,,,,,  
38,2,,172116-64211,, "CUSHION, SEAT B",1,1,,,,,,,,,,,,,,,,,,,,,  
39,2,,26013-060162,, "BOLT M 6X 16",4,4,,,,,,,,,,,,,,,,,,,,,  
40,2,,26022-080162,, "SCREW M 8X 16",4,4,,,,,,,,,,,,,,,,,,,,,  
41,1,,22217-080000,, "SPRING WASHER 8",4,4,,,,,,,,,,,,,,,,,,,,,  
42,1,,26717-080002,, "NUT M 8",4,4,,,,,,,,,,,,,,,,,,,,,

Fig. **33** シート & ステップ SEAT & STEP



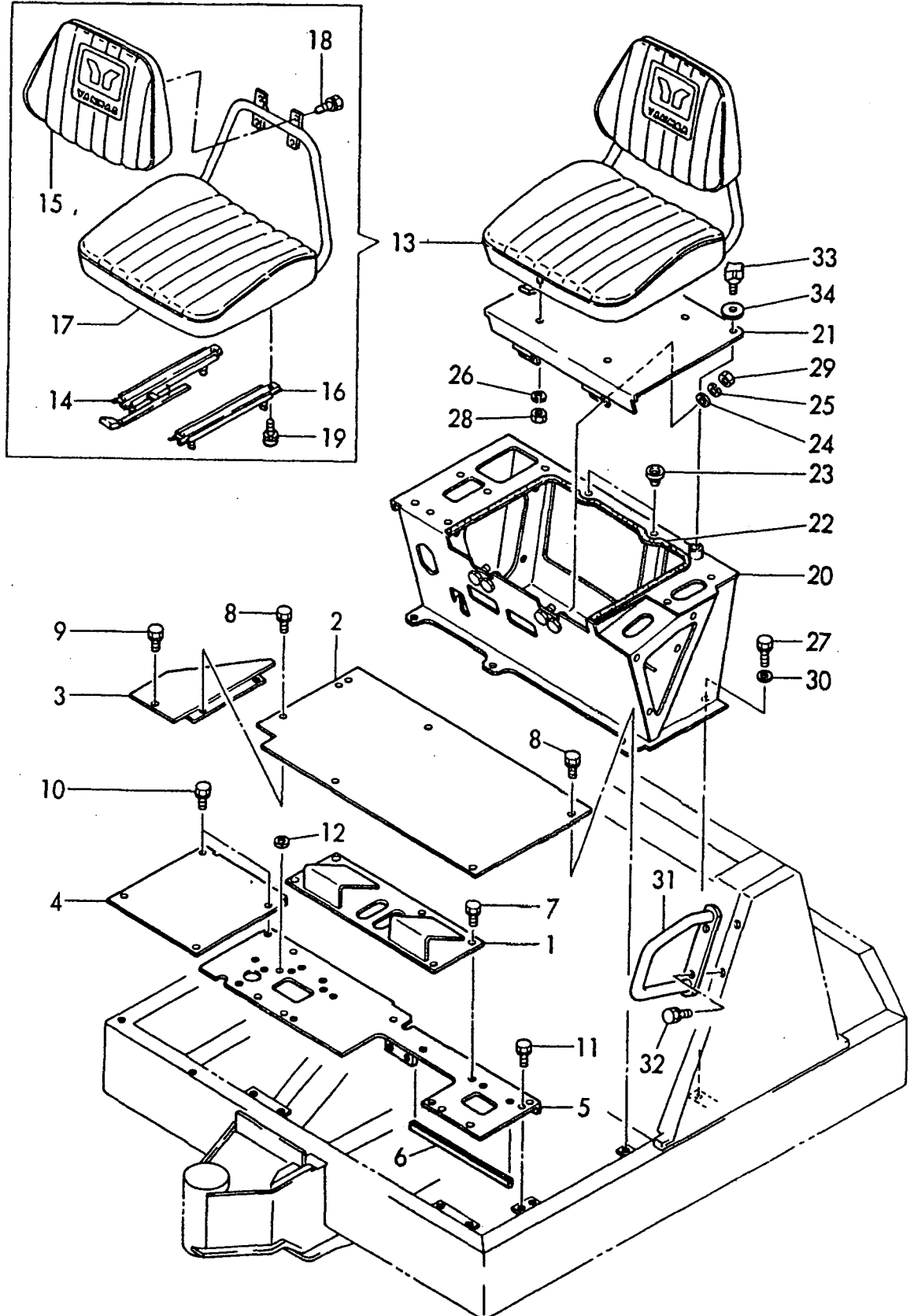
COUNTRY	U	K	A	S	E	X
Fig.No.	33	34	34			



1,1,,172141-62100,, "STEP, FRONT",1,1,,,,,,,,,,,,,,,,,,,,,  
2,1,,172141-62140,, "STEP(A), CENTER",1,1,,,,,,,,,,,,,,,,,,,,,  
3,1,,172141-62170,, "STEP(B), CENTER",1,1,,,,,,,,,,,,,,,,,,,,,  
4,1,,172141-62210,, "STEP, SIDE",1,1,,,,,,,,,,,,,,,,,,,,,  
5,1,,172141-62250,, "BASE, SUPPORT",1,1,,,,,,,,,,,,,,,,,,,,,  
6,1,,172141-78790,, RUMMER,1,1,,,,,,,,,,,,,,,,,,,,,  
7,1,,26013-100202,, "BOLT M10X 20",5,5,,,,,,,,,,,,,,,,,,,,,  
8,1,,26013-100202,, "BOLT M10X 20",7,7,,,,,,,,,,,,,,,,,,,,,  
9,1,,26013-100202,, "BOLT M10X 20",1,1,,,,,,,,,,,,,,,,,,,,,  
10,1,,26013-100202,, "BOLT M10X 20",4,4,,,,,,,,,,,,,,,,,,,,,  
11,1,,26116-100202,, "BOLT M10X 20 PLATED",1,1,,,,,,,,,,,,,,,,,,,,,  
12,1,,933160-09240,, "GROMMET 9X10.5",1,1,,,,,,,,,,,,,,,,,,,,,  
13,1,,172116-64101,, "SEAT ASSY",1,1,,,,,,,,,,,,,,,,,,,,,  
14,2,,172116-64140,, "SLIDER R",1,1,,,,,,,,,,,,,,,,,,,,,  
15,2,,172116-64181,, "BACK(A), SEAT",1,1,,,,,,,,,,,,,,,,,,,,,  
16,2,,172116-64190,, "SLIDER L",1,1,,,,,,,,,,,,,,,,,,,,,  
17,2,,172116-64211,, "CUSHION, SEAT B",1,1,,,,,,,,,,,,,,,,,,,,,  
18,2,,26013-060162,, "BOLT M 6X 16",4,4,,,,,,,,,,,,,,,,,,,,,  
19,2,,26022-080162,, "SCREW M 8X 16",4,4,,,,,,,,,,,,,,,,,,,,,  
20,1,,172141-64200,, "MOUNT, SEAT",1,1,,,,,,,,,,,,,,,,,,,,,  
21,1,,172141-64300,, "PLATE, SEAT",1,1,,,,,,,,,,,,,,,,,,,,,  
22,1,,172141-64350,, "SEAL, MOUNT",1,1,,,,,,,,,,,,,,,,,,,,,  
23,1,,172141-64370,, "CUSHION, SEAT",2,2,,,,,,,,,,,,,,,,,,,,,  
24,1,,22137-080000,, "WASHER 8",4,4,,,,,,,,,,,,,,,,,,,,,  
25,1,,22217-080000,, "SPRING WASHER 8",4,4,,,,,,,,,,,,,,,,,,,,,  
26,1,,22217-080000,, "SPRING WASHER 8",4,4,,,,,,,,,,,,,,,,,,,,,  
27,1,,26116-100202,, "BOLT M10X 20 PLATED",4,4,,,,,,,,,,,,,,,,,,,,,  
28,1,,26717-080002,, "NUT M 8",4,4,,,,,,,,,,,,,,,,,,,,,  
29,1,,26717-080002,, "NUT M 8",4,4,,,,,,,,,,,,,,,,,,,,,  
30,1,,22117-100000,, "WASHER 10",2,2,,,,,,,,,,,,,,,,,,,,,  
31,1,,172141-68200,, GRIP,1,,,,,,,,,,,,,,,,,,,,,  
32,1,,26013-100252,, "BOLT M10X 25",2,,,,,,,,,,,,,,,,,,,,,  
33,1,,26064-080201,, "WING BOLT M 8X 20",1,1,,,,,,,,,,,,,,,,,,,,,  
34,1,,1A1040-46460,, "WASHER 10X33X4.5",1,1,,,,,,,,,,,,,,,,,,,,,  
35,1,,172141-64400,, "SPRING WASHER 8",1,1,,,,,,,,,,,,,,,,,,,,,  
36,1,,22217-100000,, "SPRING WASHER 10",4,4,,,,,,,,,,,,,,,,,,,,,

Fig. 34 シート & ステップ  
SEAT & STEP

COUNTRY	U	K	A	S	E	X
Fig.No.	33	34	34			

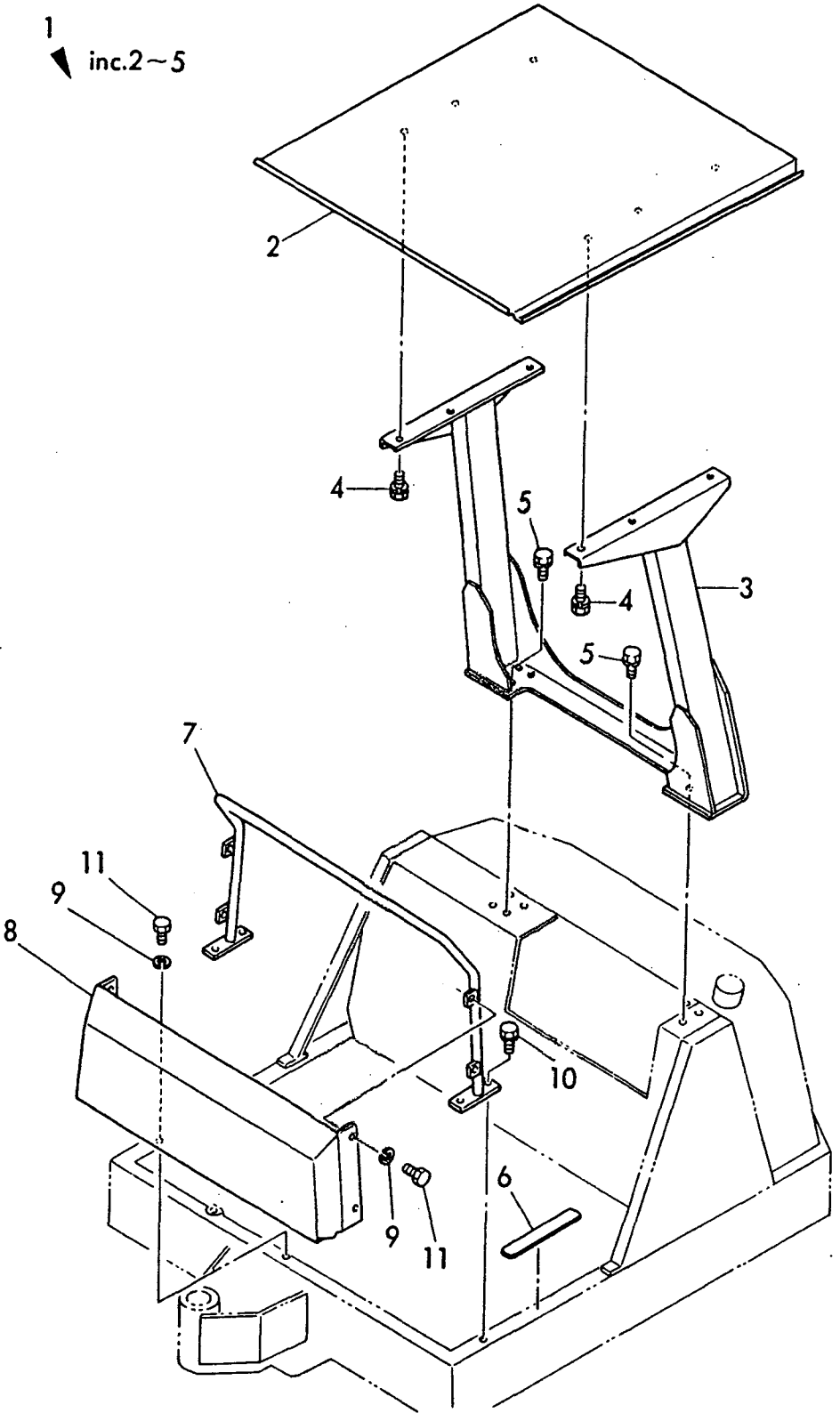


1,1,,772143-68100,,CANOPY,1,,,,,,,,,,,,,  
2,2,,172143-66300,,,"ROOF, CANOPY",1,,,,,,,,,,,,,  
3,2,,172143-66400,,,"COLUMN, CANOPY",1,,,,,,,,,,,,,  
4,2,,26013-100252,,,"BOLT M10X 25",6,,,,,,,,,,,,,  
5,2,,26013-120302,,,"BOLT M12X 30",7,,,,,,,,,,,,,  
6,1,,172143-62250,,,"SHEET, NON-SLIP",1,,,,,,,,,,,,,  
7,1,,172141-68310,,CANOPY(F),1,,,,,,,,,,,,,  
8,1,,172141-68360,,,"COVER, FRONT",1,,,,,,,,,,,,,  
9,1,,22217-100000,,,"SPRING WASHER 10",6,,,,,,,,,,,,,  
10,1,,26013-100252,,,"BOLT M10X 25",4,,,,,,,,,,,,,  
11,1,,26116-100202,,,"BOLT M10X 20 PLATED",6,,,,,,,,,,,,,

Fig. 35 ロブス  
ROPS

COUNTRY	U K	A S E X
Fig. No.	35	36 36


1  
▲ inc.2~5

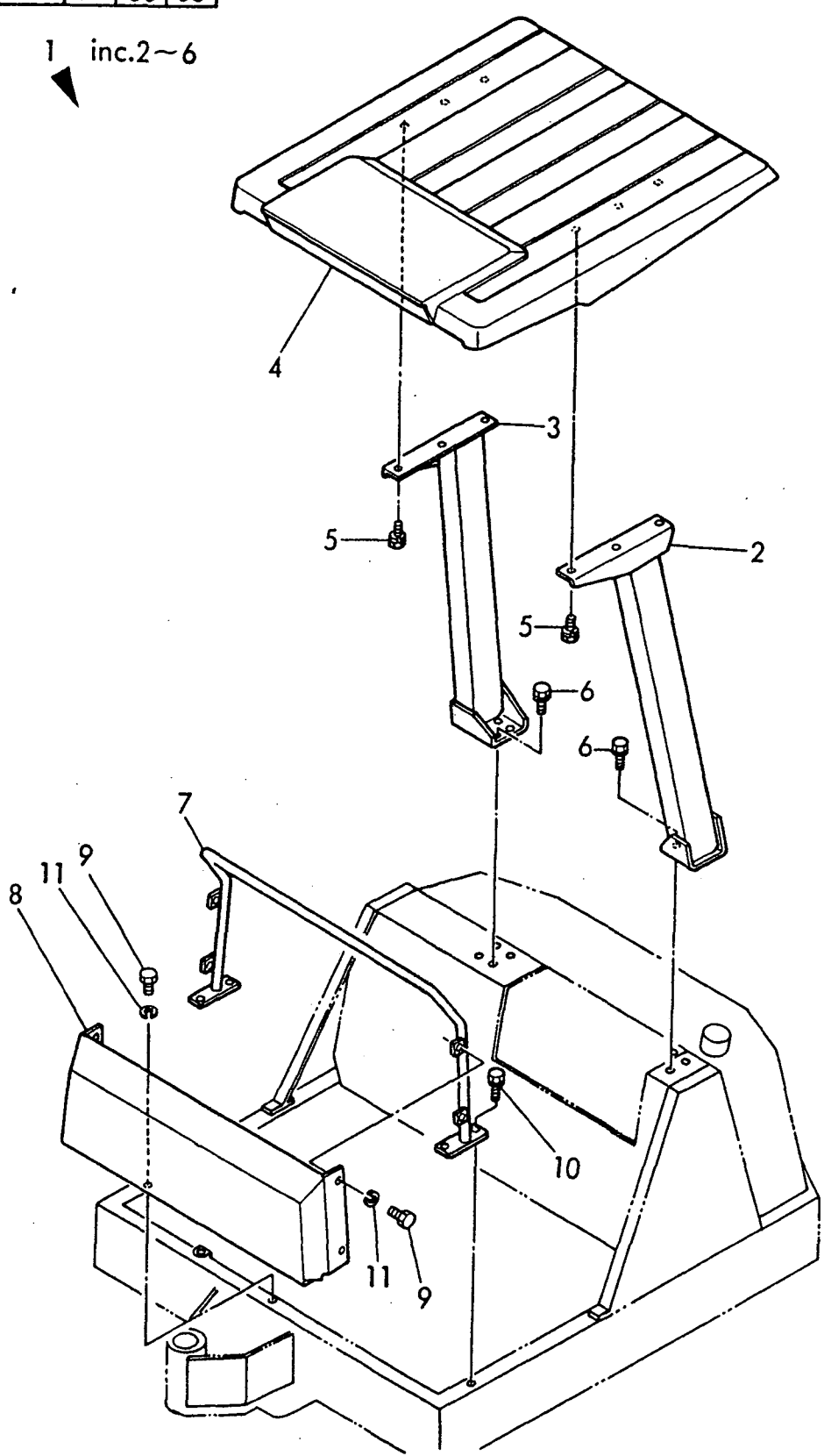


1,1,,772141-68100,, "CANOPY ASSY",1,,,,,,,,,,,,,,,,,,,,,  
2,2,,172141-68110,, "COLUMN(R), CANOPY",1,,,,,,,,,,,,,,,,,,,,,  
3,2,,172141-68120,, "COLUMN(L), CANOPY",1,,,,,,,,,,,,,,,,,,,,,  
4,2,,172134-68200,, "ROOF, CANOPY",1,,,,,,,,,,,,,,,,,,,,,  
5,2,,26013-120252,, "BOLT M12X 25",6,,,,,,,,,,,,,,,,,,,,,  
6,2,,26013-120302,, "BOLT M12X 30",7,,,,,,,,,,,,,,,,,,,,,  
7,1,,172141-68310,, "CANOPY(F)",1,,,,,,,,,,,,,,,,,,,,,  
8,1,,172141-68360,, "COVER, FRONT",1,,,,,,,,,,,,,,,,,,,,,  
9,1,,26116-100202,, "BOLT M10X 20 PLATED",6,,,,,,,,,,,,,,,,,,,,,  
10,1,,26013-100252,, "BOLT M10X 25",4,,,,,,,,,,,,,,,,,,,,,  
11,1,,22217-100000,, "SPRING WASHER 10",6,,,,,,,,,,,,,,,,,,,,,

# Fig. 36 キャンピ CANOPY

COUNTRY	U	K	A	S	E	X
Fig. No.	35	36	36	36	36	36

1 inc.2~6  




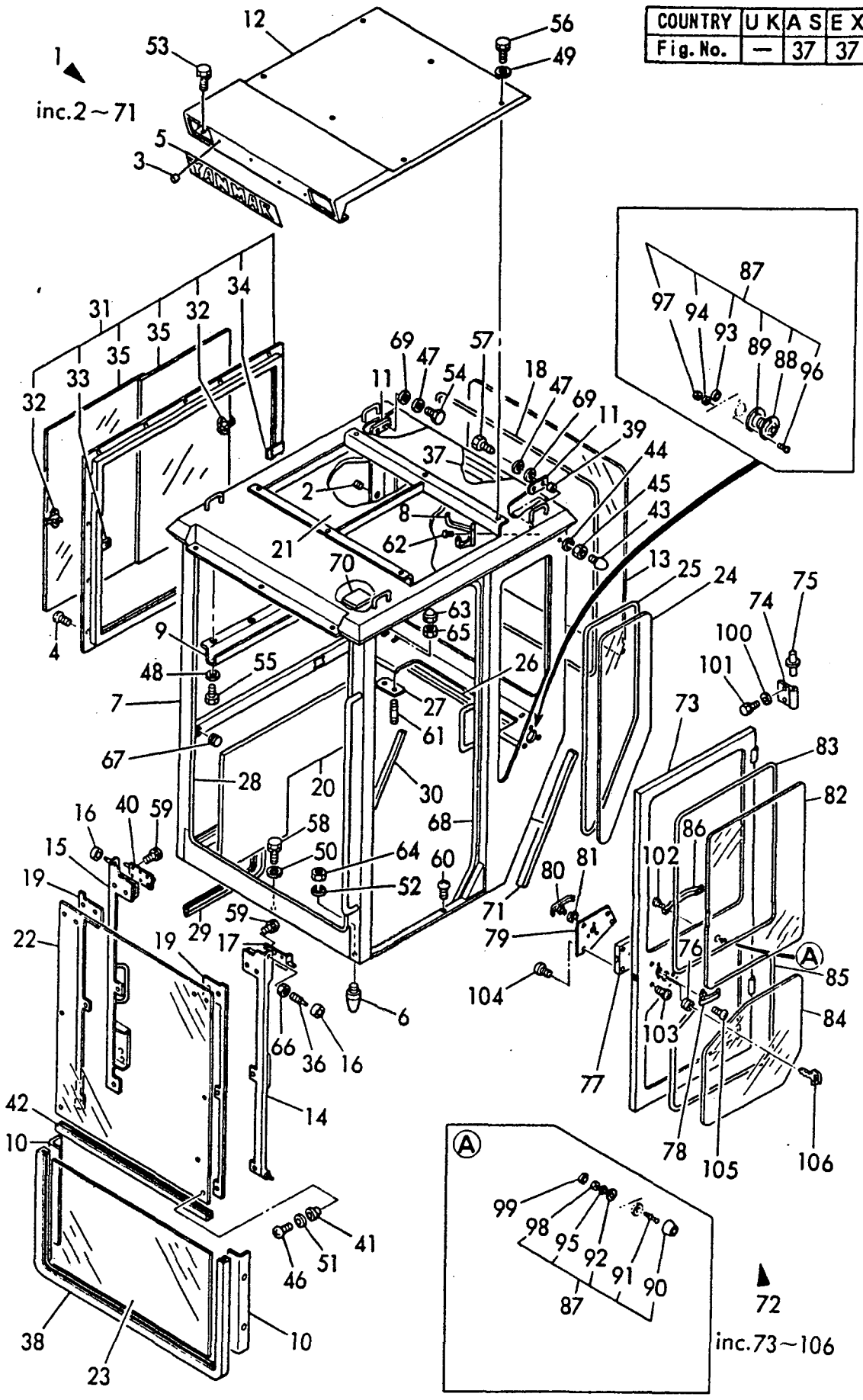
1,1,,772141-68400,, "CABIN ASSY",,1,,,,,,,,,,,,,,,,,,,,,  
2,2,,194150-24270,, "SCREW CAP 13",,1,,,,,,,,,,,,,,,,,,,,,  
3,2,,194630-28670,, "NUT M 5, PUSH",,4,,,,,,,,,,,,,,,,,,,,,  
4,2,,172137-46210,, "SCREW",,18,,,,,,,,,,,,,,,,,,,,,  
5,2,,194555-65570,, "MARK (YANMAR)",,1,,,,,,,,,,,,,,,,,,,,,  
6,2,,172137-68120,, "PIN",,1,,,,,,,,,,,,,,,,,,,,,  
7,2,,172141-68401,, "CABIN",,1,,,,,,,,,,,,,,,,,,,,,I  
8,2,,172119-68590,, "RACK, HAT",,1,,,,,,,,,,,,,,,,,,,,,  
9,2,,172141-68801,, "RAIL",,1,,,,,1,,,,,,,,,,,,,,,,,,,,,I  
9-1,2,,172141-68881,, "RAIL",,1,,,,,,,,,,,,,,,,,,,,,I  
10,2,,172141-68910,, "HOLDER(A), GLASS",,2,,,,,,,,,,,,,,,,,,,,,  
11,2,,172141-68920,, "PLATE, LOCK",,2,,,,,,,,,,,,,,,,,,,,,  
12,2,,172141-68930,, "COVER, LIGHT",,1,,,,,,,,,,,,,,,,,,,,,  
13,2,,172135-69190,, "GLASS, REAR",,1,,,,,,,,,,,,,,,,,,,,,  
14,2,,172141-69220,, "FRAME(L), GLASS",,1,,,,,,,,,,,,,,,,,,,,,  
15,2,,172141-69240,, "FRAME(R), GLASS",,1,,,,,,,,,,,,,,,,,,,,,  
16,2,,24104-062004,, "BALL BEARING",,4,,,,,,,,,,,,,,,,,,,,,  
17,2,,172137-69270,, "LATCH (L)",,1,,,,,,,,,,,,,,,,,,,,,  
18,2,,172135-69290,, "SEAL (D), REAR",,1,,,,,,,,,,,,,,,,,,,,,  
19,2,,172141-69300,, "GASKET, FRAME",,2,,,,,,,,,,,,,,,,,,,,,  
20,2,,172141-69310,, "TRIM, SIDE",,1,,,,,,,,,,,,,,,,,,,,,  
21,2,,172141-69320,, "TRIM, ROOM",,1,,,,,,,,,,,,,,,,,,,,,  
22,2,,172141-69350,, "GLASS, FRONT",,1,,,,,,,,,,,,,,,,,,,,,  
23,2,,172141-69360,, "GLASS, FRONT LOWER",,1,,,,,,,,,,,,,,,,,,,,,  
24,2,,172141-69370,, "GLASS, (L)SIDE",,1,,,,,,,,,,,,,,,,,,,,,  
25,2,,172141-69380,, "SEAL, (L)SIDE",,1,,,,,,,,,,,,,,,,,,,,,  
26,2,,172141-69450,, "CUSHION RUBBER",,1,,,,,,,,,,,,,,,,,,,,,  
27,2,,172141-69470,, "PLATE",,2,,,,,,,,,,,,,,,,,,,,,  
28,2,,172141-69500,, "SEAL, FRONT GLASS",,1,,,,,,,,,,,,,,,,,,,,,  
29,2,,172141-69510,, "SEAL, SIDE",,1,,,,,,,,,,,,,,,,,,,,,  
30,2,,172141-69520,, "SEAL, RESERVER",,1,,,,,,,,,,,,,,,,,,,,,  
31,2,,172141-69530,, "WINDOW SASH",,1,,,,,,,,,,,,,,,,,,,,,  
32,3,,172122-69350,, "LOCK, WINDOW",,2,,,,,,,,,,,,,,,,,,,,,  
33,3,,172122-69360,, "HOLDER(F), LOCK",,1,,,,,,,,,,,,,,,,,,,,,  
34,3,,172122-69370,, "HOLDER(R), LOCK",,1,,,,,,,,,,,,,,,,,,,,,  
35,3,,172141-69560,, "GLASS",,2,,,,,,,,,,,,,,,,,,,,,  
36,2,,172137-69541,, "SHAFT, ROLLER",,4,,,,,,,,,,,,,,,,,,,,,  
37,2,,172141-69540,, "CUSHION RUBBER",,1,,,,,,,,,,,,,,,,,,,,,  
38,2,,172141-69550,, "RUBBER",,1,,,,,,,,,,,,,,,,,,,,,  
39,2,,172112-69570,, "BOSS, LOCK PLATE",,1,,,,,,,,,,,,,,,,,,,,,  
40,2,,172137-69570,, "LATCH(R)",,1,,,,,,,,,,,,,,,,,,,,,  
41,2,,172137-69651,, "COLLAR, GLASS",,8,,,,,,,,,,,,,,,,,,,,,  
42,2,,172137-69740,, "RUBBER",,1,,,,,,,,,,,,,,,,,,,,,  
43,2,,172112-69750,, "RUBBER, STOPPER",,1,,,,,,,,,,,,,,,,,,,,,  
44,3,,22217-080000,, "SPRING WASHER 8",,1,,,,,,,,,,,,,,,,,,,,,  
45,3,,26716-080002,, "NUT M 8",,1,,,,,,,,,,,,,,,,,,,,,  
46,2,,172137-69840,, "SCREW",,8,,,,,,,,,,,,,,,,,,,,,  
47,2,,22137-080000,, "WASHER 8",,3,,,,,,,,,,,,,,,,,,,,,  
48,2,,22137-080000,, "WASHER 8",,4,,,,,,,,,,,,,,,,,,,,,  
49,2,,22137-080000,, "WASHER 8",,6,,,,,,,,,,,,,,,,,,,,,  
50,2,,22137-100000,, "WASHER 10",,4,,,,,,,,,,,,,,,,,,,,,  
51,2,,22157-080000,, "WASHER 8",,8,,,,,,,,,,,,,,,,,,,,,  
52,2,,22217-100000,, "SPRING WASHER 10",,1,,,,,,,,,,,,,,,,,,,,,  
53,2,,26013-060162,, "BOLT M 6X 16",,3,,,,,,,,,,,,,,,,,,,,,  
54,2,,26013-080352,, "BOLT M 8X 35",,2,,,,,,,,,,,,,,,,,,,,,  
55,2,,26013-080162,, "BOLT M 8X 16",,4,,,,,,,,,,,,,,,,,,,,,  
56,2,,26013-080162,, "BOLT M 8X 16",,6,,,,,,,,,,,,,,,,,,,,,  
57,2,,26013-080352,, "BOLT M 8X 35",,1,,,,,,,,,,,,,,,,,,,,,  
58,2,,26013-100202,, "BOLT M10X 20",,4,,,,,,,,,,,,,,,,,,,,,  
59,2,,26022-050122,, "SCREW M 5X 12",,12,,,,,,,,,,,,,,,,,,,,,  
60,2,,26033-080252,, "SCREW M 8X 25",,1,,,,,,,,,,,,,,,,,,,,,  
61,2,,26226-120502,, "STUD M12X 50 PLATED",,4,,,,,,,,,,,,,,,,,,,,,  
62,2,,26567-040102,, "SCREW M 4X 10",,4,,,,,,,,,,,,,,,,,,,,,





Fig. 37 キヤビン CABIN

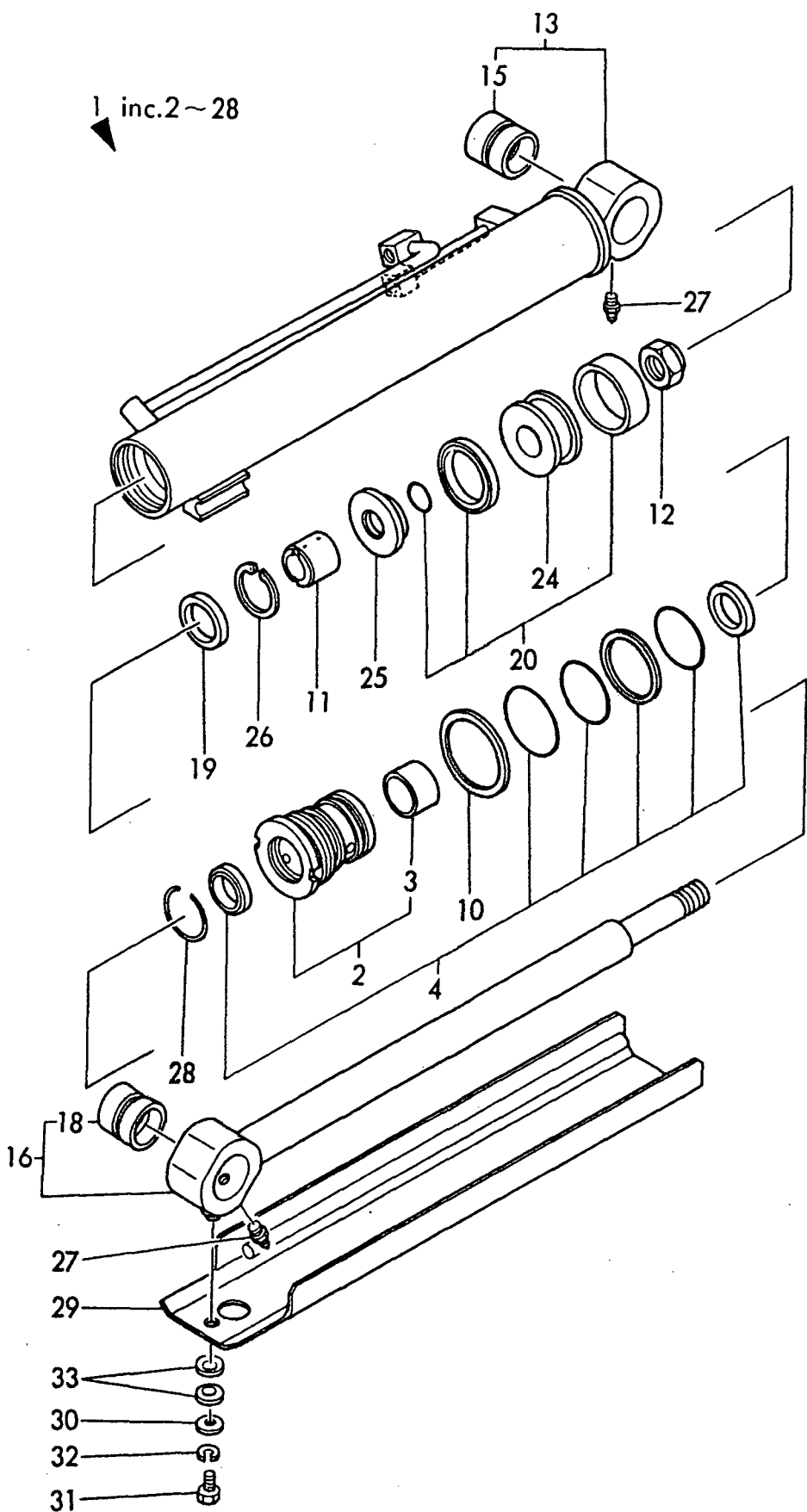
COUNTRY	U	K	A	S	E	X
Fig. No.	-	37	37			



▲ 72  
inc. 73~106

1,1,,172141-72272,, "CYLINDER ASSY,BOOM(Z",1,,,,,,,,,,,,,  
2,2,,172141-72140,, "HEAD 75 40",1,,,,,,,,,,,,,  
3,3,,933135-14600,, "BUSH 40 30, ROD",1,,,,,,,,,,,,,  
4,2,,172141-71880,, "SEAL SET, HEAD",1,,,,,,,,,,,,,  
10,2,,172141-72190,, "WASHER 75",1,,,,,,,,,,,,,  
11,2,,172141-72220,, "PLUNGER 44C, CUSHION",1,,,,,,,,,,,,,  
12,2,,172141-72250,, "U-NUT M27",1,,,,,,,,,,,,,  
13,2,,172141-71771,, "TUBE(Z)W/BUSH, BOOM",1,,,,,,,,,,,,,  
15,3,,172143-72330,, "BUSH, 38 50",1,,,,,,,,,,,,,  
16,2,,172141-71781,, "ROD W/BUSH",1,,,,,,,,,,,,,  
18,3,,172143-72330,, "BUSH, 38 50",1,,,,,,,,,72171001,,,,,,,,,I  
19,2,,172137-72730,, "RING 44B, CUSHION",1,,,,,,,,,,,,,  
20,2,,172141-71930,, "SEAL SET, PISTON",1,,,,,,,,,,,,,  
24,2,,172141-73051,, "PISTON 75 27 A",1,,,,,,,,,72171067,,,,,,,,,I  
25,2,,172141-73061,, "PISTON 75 27 B",1,,,,,,,,,,,,,  
26,2,,22252-000561,, "CIRCLIP 56",1,,,,,,,,,,,,,  
27,2,,24761-020000,, "NIPPLE PT1/8,GREASE",2,,,,,,,,,,,,,  
28,2,,933111-26600,, "RING 55, SPRING",1,,,,,,,,,,,,,  
29,1,,172141-72590,, "COVER, SLIDE",1,,,,,,,,,,,,,  
30,1,,933147-03400,, "WASHER, BRAKE ARM",1,,,,,,,,,,,,,  
31,1,,26116-100202,, "BOLT M10X 20 PLATED",1,,,,,,,,,,,,,  
32,1,,22217-100000,, "SPRING WASHER 10",1,,,,,,,,,,,,,  
33,1,,933168-14170,, "SPRING 16",2,,,,,,,,,,,,,

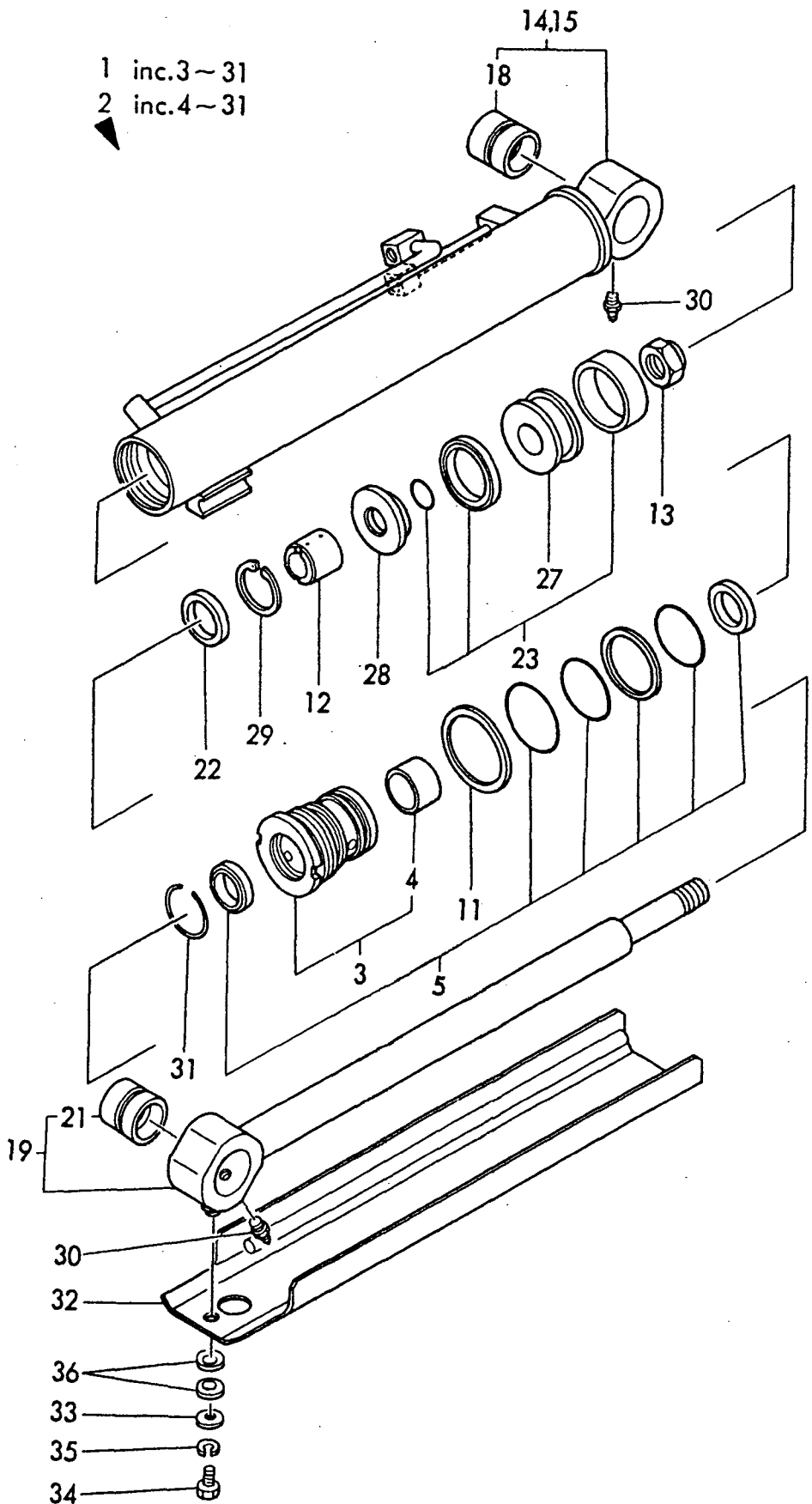
Fig. 38 ブームシリンダ(UZ)(キャノピ)  
 BOOM CYLINDER (UZ)(CANOPY SPEC.)



1,1,,172143-72270,, "CYLINDER ASSY, BOOM",,1,,,,,,,,,,,,,  
2,1,,172141-71700,, "CYLINDER ASSY, BOOM",,1,,,,,1,,,,,,,,,,,,,  
3,2,,172141-72140,, "HEAD 75 40",,1,,,,,,,,,,,,,  
4,3,,933135-14600,, "BUSH 40 30, ROD",,1,,,,,,,,,,,,,  
5,2,,172141-71880,, "SEAL SET, HEAD",,1,,,,,,,,,,,,,  
11,2,,172141-72190,, "WASHER 75",,1,,,,,,,,,,,,,  
12,2,,172141-72220,, "PLUNGER 44C, CUSHION",,1,,,,,,,,,,,,,  
13,2,,172141-72250,, "U-NUT M27",,1,,,,,,,,,,,,,  
14,2,,172143-72020,, "TUBE(Z), BOOM",,1,,,,,,,,,,,,,  
15,2,,172141-71940,, "TUBE(Z), BOOM",,1,,,,,1,,,,,,,,,,,,,  
18,3,,172143-72330,, "BUSH, 38 50",,1,,,,,,,,,,,,,  
19,2,,172141-71781,, "ROD W/BUSH",,1,,,,,,,,,,,,,  
21,3,,172143-72330,, "BUSH, 38 50",,1,,,,,72171001,,72171001,,,,,,,,,I  
22,2,,172137-72730,, "RING 44B, CUSHION",,1,,,,,,,,,,,,,  
23,2,,172141-71930,, "SEAL SET, PISTON",,1,,,,,,,,,,,,,  
27,2,,172141-73051,, "PISTON 75 27 A",,1,,,,,,,,,,,,,  
28,2,,172141-73061,, "PISTON 75 27 B",,1,,,,,,,,,,,,,  
29,2,,22252-000561,, "CIRCLIP 56",,1,,,,,,,,,,,,,  
30,2,,24761-020000,, "NIPPLE PT1/8,GREASE",,2,,,,,,,,,,,,,  
31,2,,933111-26600,, "RING 55, SPRING",,1,,,,,,,,,,,,,  
32,1,,172141-72590,, "COVER, SLIDE",,2,,,,,,,,,,,,,  
33,1,,933147-03400,, "WASHER, BRAKE ARM",,1,,,,,,,,,,,,,  
34,1,,26116-100202,, "BOLT M10X 20 PLATED",,1,,,,,,,,,,,,,  
35,1,,22217-100000,, "SPRING WASHER 10",,1,,,,,,,,,,,,,  
36,1,,933168-14170,, "SPRING 16",,1,,,,,,,,,,,,,

Fig. **39** ブームシリンダ(UZ)(キャビン)  
 BOOM CYLINDER (UZ)(CABIN SPEC.)

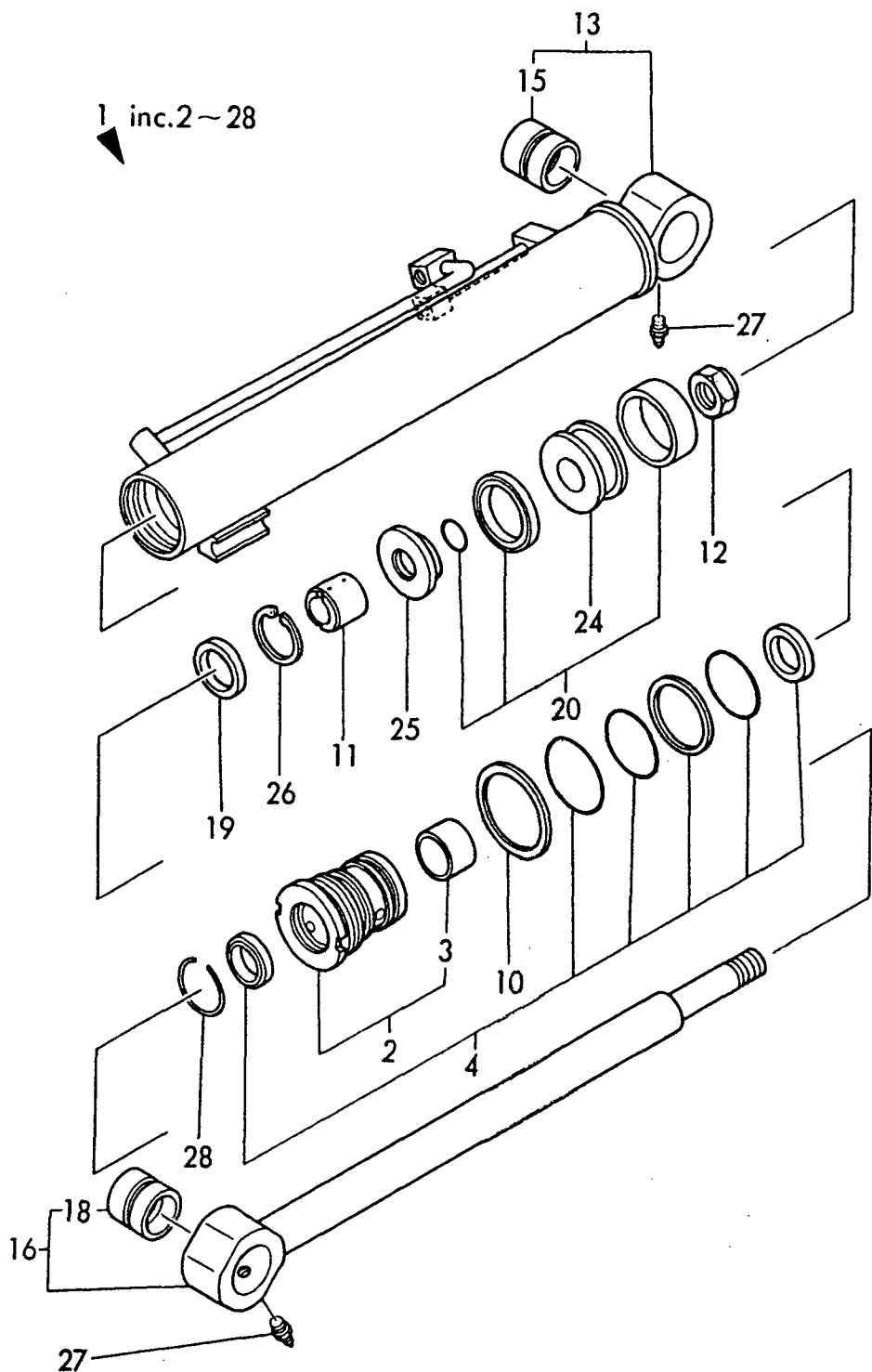
COUNTRY	U	K	A	S	E	X
Fig. No.	39	39	40			



1,1,,172141-72010,, "CYLINDER ASSY, BOOM",,1,,,,,,,,,,,,,  
2,2,,172141-72140,, "HEAD 75 40",,1,,,,,,,,,,,,,  
3,3,,933135-14600,, "BUSH 40 30, ROD",,1,,,,,,,,,,,,,  
4,2,,172141-71880,, "SEAL SET, HEAD",,1,,,,,,,,,,,,,  
10,2,,172141-72190,, "WASHER 75",,1,,,,,,,,,,,,,  
11,2,,172141-72220,, "PLUNGER 44C, CUSHION",,1,,,,,,,,,,,,,  
12,2,,172141-72250,, "U-NUT M27",,1,,,,,,,,,,,,,  
13,2,,172141-71750,, "TUBE W/BUSH, BOOM",,1,,,,,,,,,,,,,  
15,3,,172143-72330,, "BUSH, 38 50",,1,,,,,,,,,,,,,  
16,2,,172141-71760,, "ROD W/BUSH, BOOM",,1,,,,,,,,,,,,,  
18,3,,172143-72330,, "BUSH, 38 50",,1,,,,,,,,,,,,,  
19,2,,172137-72730,, "RING 44B, CUSHION",,1,,,,,,,,,,,,,  
20,2,,172141-71930,, "SEAL SET, PISTON",,1,,,,,,,,,,,,,  
24,2,,172141-73051,, "PISTON 75 27 A",,1,,,,,,,,,,,,,  
25,2,,172141-73061,, "PISTON 75 27 B",,1,,,,,,,,,,,,,  
26,2,,22252-000561,, "CIRCLIP 56",,1,,,,,,,,,,,,,  
27,2,,24761-020000,, "NIPPLE PT1/8,GREASE",,2,,,,,,,,,,,,,  
28,2,,933111-26600,, "RING 55, SPRING",,1,,,,,,,,,,,,,

Fig. **40** ブームシリンダ(U)(キャビン)  
 BOOM CYLINDER (U) (CABIN SPEC.)

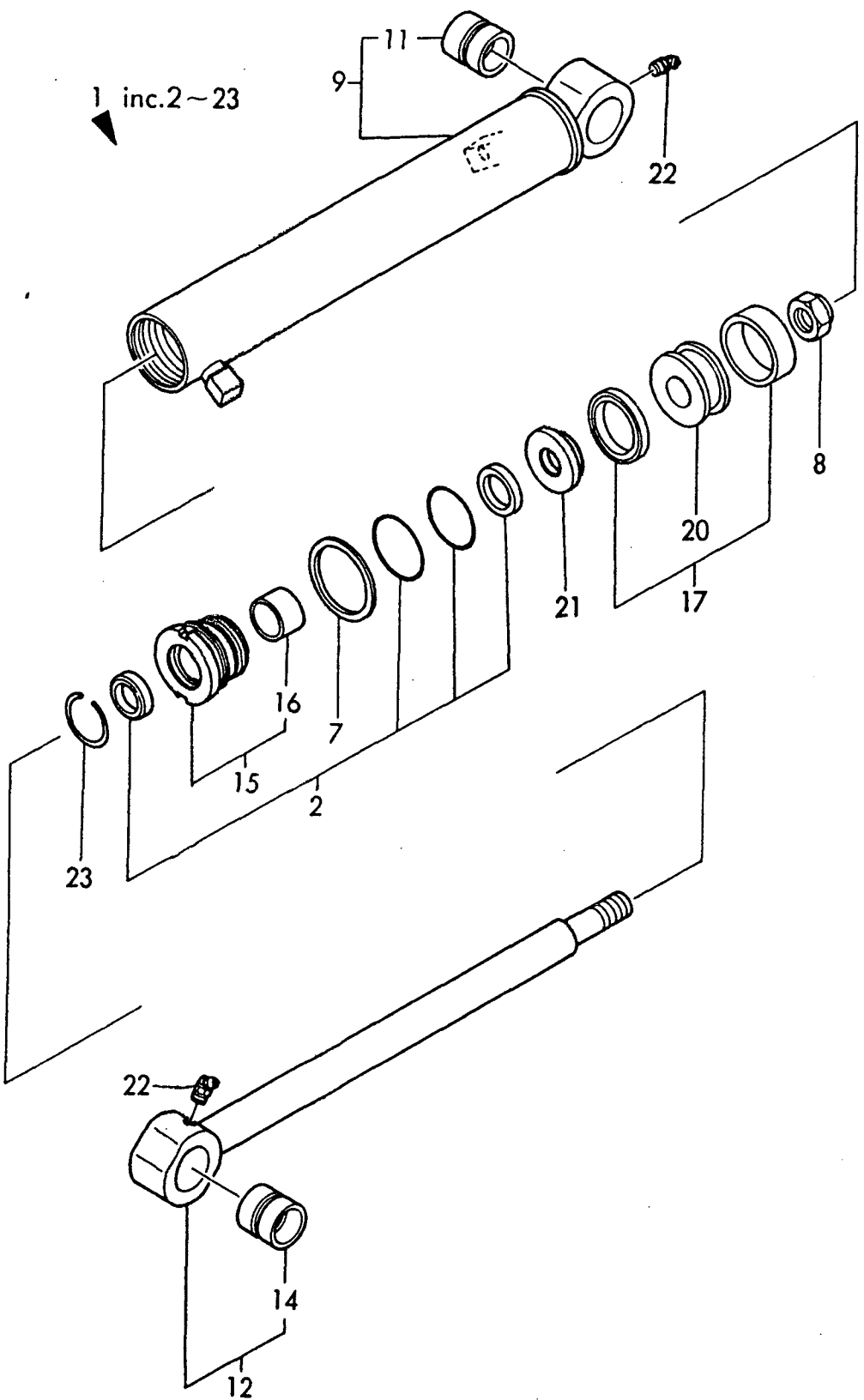
COUNTRY	U	K	A	S	E	X
Fig.No.	39	39	40			



1,1,,172141-72350,, "CYLINDER ASSY, ARM",1,1,,,,,,,,,,,,,  
2,2,,172141-71890,, "SEAL SET, CYL.HEAD",1,1,,,,,,,,,,,,,  
7,2,,172141-72190,, "WASHER 75",1,1,,,,,,,,,,,,,  
8,2,,172141-72250,, "U-NUT M27",1,1,,,,,,,,,,,,,  
9,2,,172141-71790,, "TUBE W/BUSH, ARM",1,1,,,,,,,,,,,,,  
11,3,,933125-12701,, "BUSH 38 50A",1,1,,,,,,,,,,,,,  
12,2,,172141-71800,, "ROD W/BUSH, ARM",1,1,,,,,,,,,,,,,  
14,3,,933125-12701,, "BUSH 38 50A",1,1,,,,,,,,,,,,,  
15,2,,172141-72690,, "HEAD 75 40 W/BUSH",1,1,,,,,,,,,,,,,  
16,3,,933135-14600,, "BUSH 40 30, ROD",1,1,,,,,,,,,,,,,  
17,2,,172148-72930,, "SEAL SET, PISTON",1,1,,,,,1,,,,,,,,,,,,,I  
17-1,2,,172141-71910,, "SEAL SET, PISTON",1,1,,,,,,,,,,,,,I  
17-2,2,,172141-71911,, "SEAL SET, PISTON",1,1,,,,,S,,72141340,X,,,,,,,,,,,,,I  
20,2,,172141-73051,, "PISTON 75 27 A",1,1,,,,,,,,,,,,,  
21,2,,172141-73071,, "PISTON 75 27 C",1,1,,,,,,,,,,,,,  
22,2,,24761-040000,, "NIPPLE B,GREASE",2,2,,,,,,,,,,,,,  
23,2,,933111-26600,, "RING 55, SPRING",1,1,,,,,,,,,,,,,

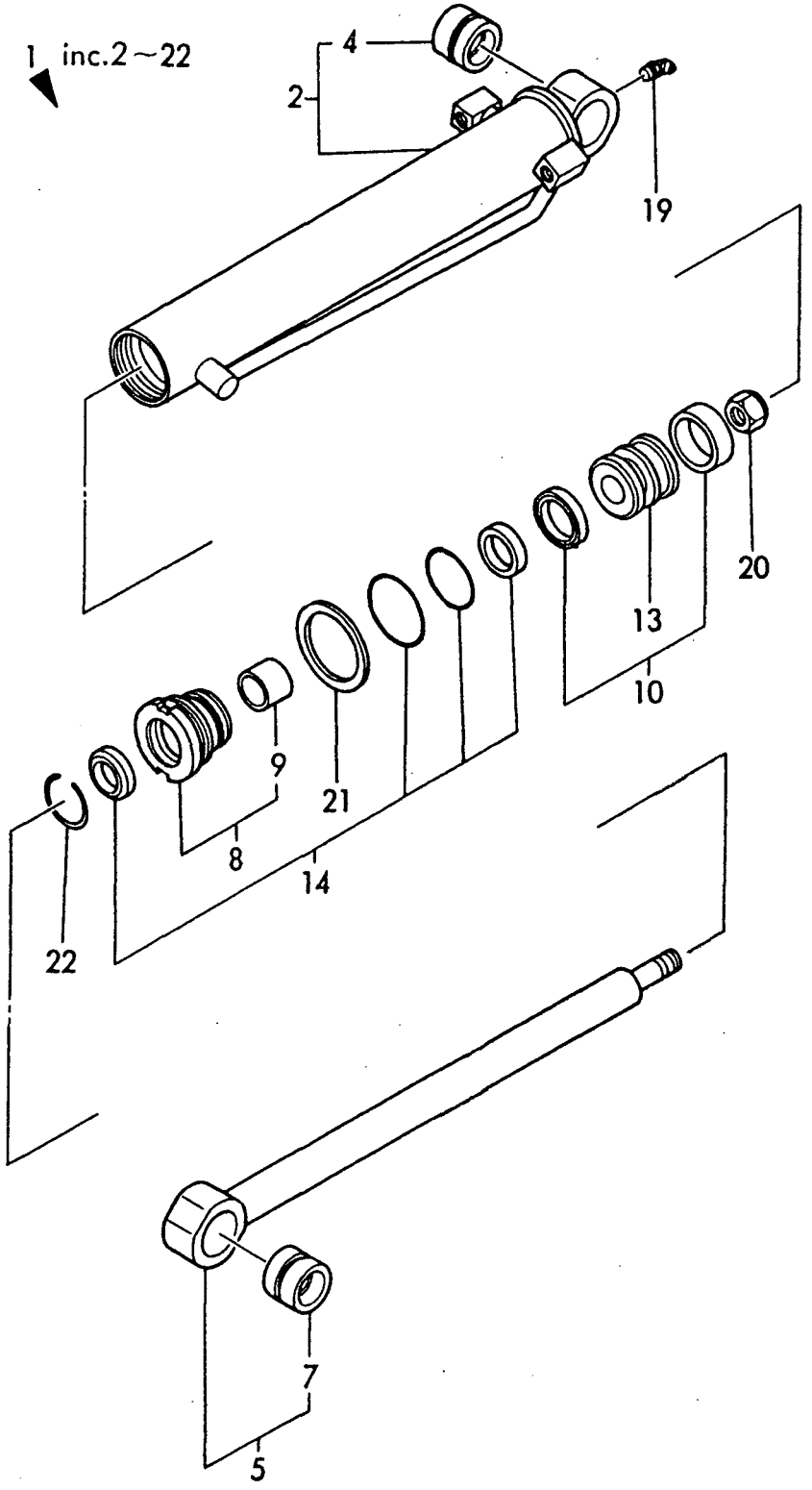


Fig. 41 アームシリンダ  
ARM CYLINDER



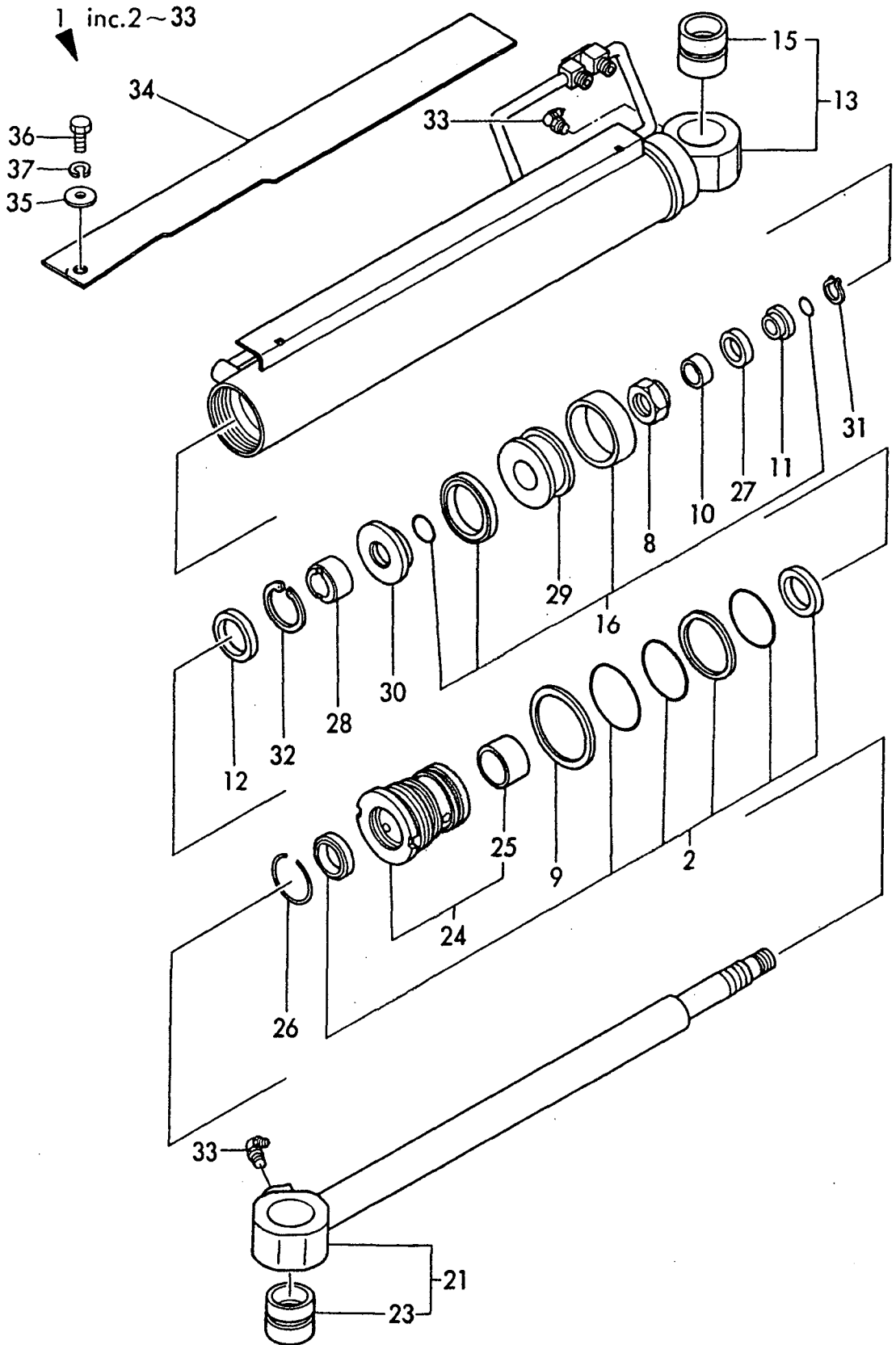
1,1,,172141-72450,, "CYLINDER ASSY, BUCKET",1,1,,,,,,,,,,,,,  
2,2,,172141-71810,, "TUBE E/BUSH, BUCKET",1,1,,,,,,,,,,,,,  
4,3,,172141-72560,, "BUSH 35 40 A, PIN",1,1,,,,,,,,,,,,,  
5,2,,172141-71820,, "ROD W/BUSH, BUCKET",1,1,,,,,,,,,,,,,  
7,3,,172141-72560,, "BUSH 35 40 A, PIN",1,1,,,,,,,,,,,,,  
8,2,,172141-72540,, "HEAD 6035, CYLINDER",1,1,,,,,,,,,,,,,  
9,3,,933111-01600,, "BUSH 35 30, ROD",1,1,,,,,,,,,,,,,  
10,2,,172137-72450,, "SEAL SET, PISTON 60A",1,1,,,,,,,,,,,,,  
13,2,,172137-72431,, "PISTON 60G",1,1,,,,,,,,,,,,,  
14,2,,172141-71900,, "SEAL SET, HEAD",1,1,,,,,,,,,,,,,  
19,2,,24761-040000,, "NIPPLE B, GREASE",1,1,,,,,,,,,,,,,  
20,2,,172141-72580,, "NUT M20",1,1,,,,,,,,,,,,,  
21,2,,933125-59600,, "WASHER 60 B, LOCK",1,1,,,,,,,,,,,,,  
22,2,,172141-73090,, "RING 50, SPRING",1,1,,,,,,,,,,,,,

Fig. **42** バケツシリンダ  
BUCKET CYLINDER



1,1,,172141-72730,, "CYL.ASSY(Z), SWING",1,1,,,,,,,,,,,,,  
2,2,,172141-71880,, "SEAL SET, HEAD",1,1,,,,,,,,,,,,,  
8,2,,172141-72250,, "U-NUT M27",1,1,,,,,,,,,,,,,  
9,2,,172141-72190,, "WASHER 75",1,1,,,,,,,,,,,,,  
10,2,,172137-72710,, "COLLAR 40B, CUSHION",1,1,,,,,,,,,,,,,  
11,2,,172137-72720,, "COLLAR 40A, CUSHION",1,1,,,,,,,,,,,,,  
12,2,,172137-72730,, "RING 44B, CUSHION",1,1,,,,,,,,,,,,,  
13,2,,172141-71850,, "TUBE(Z) ASSY, SWING",1,1,,,,,,,,,,,,,  
15,3,,933125-12701,, "BUSH 38 50A",1,1,,,,,,,,,,,,,  
16,2,,172141-71921,, "SEAL SET,PISTON",1,1,,,,,,,,,,,,,  
21,2,,172141-71860,, "ROD W/BUSH, SWING",1,1,,,,,,,,,,,,,  
23,3,,933125-12701,, "BUSH 38 50A",1,1,,,,,,,,,,,,,  
24,2,,172141-72140,, "HEAD 75 40",1,1,,,,,,,,,,,,,  
25,3,,933135-14600,, "BUSH 40 30, ROD",1,1,,,,,,,,,,,,,  
26,2,,933111-26600,, "RING 55, SPRING",1,1,,,,,,,,,,,,,  
27,2,,172141-72920,, "RING 40, CUSHION",1,1,,,,,,,,,,,,,  
28,2,,172141-72930,, "PLUGER 44, CUSHION",1,1,,,,,,,,,,,,,  
29,2,,172141-73051,, "PISTON 75 27 A",1,1,,,,,,,,,,,,,  
30,2,,172141-73061,, "PISTON 75 27 B",1,1,,,,,,,,,,,,,  
31,2,,22242-000220,, "CIRCLIP 22",1,1,,,,,,,,,,,,,  
32,2,,22252-000561,, "CIRCLIP 56",1,1,,,,,,,,,,,,,  
33,2,,24761-050000,, "NIPPLE C,GREASE",2,2,,,,,,,,,,,,,  
34,1,,172141-72880,, "COVER, SWING",1,1,,,,,,,,,,,,,  
35,1,,933147-03400,, "WASHER, BRAKE ARM",1,1,,,,,,,,,,,,,  
36,1,,26116-100202,, "BOLT M10X 20 PLATED",1,1,,,,,,,,,,,,,  
37,1,,22217-100000,, "SPRING WASHER 10",1,1,,,,,,,,,,,,,

Fig. 43 スイグシリンダ(UZ)  
SWING CYLINDER (UZ)

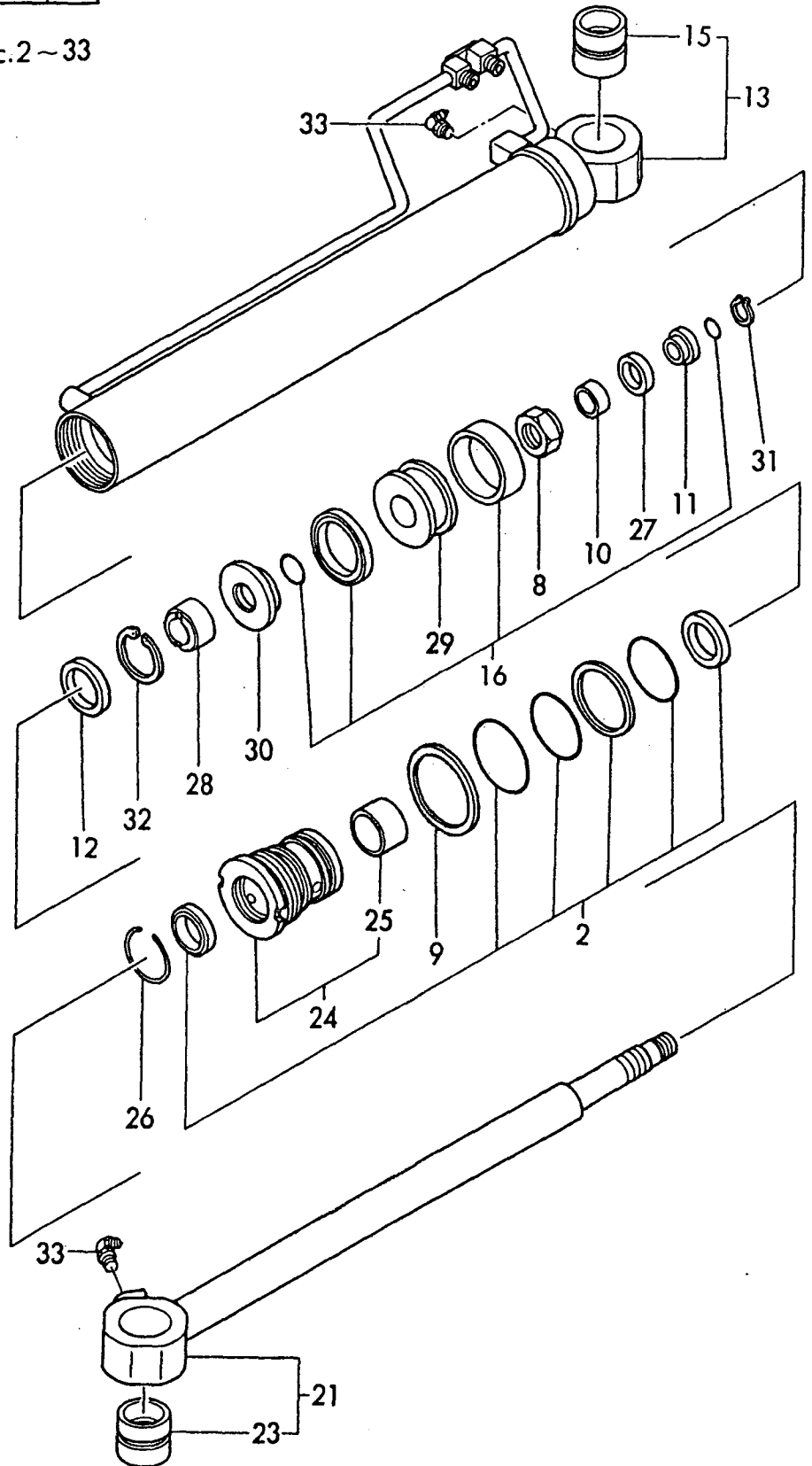


1,1,,172141-72750,, "CYLINDER ASSY, SWING",,1,,,,,,,,,,,,,  
2,2,,172141-71880,, "SEAL SET, HEAD",,1,,,,,,,,,,,,,  
8,2,,172141-72250,, "U-NUT M27",,1,,,,,,,,,,,,,  
9,2,,172141-72190,, "WASHER 75",,1,,,,,,,,,,,,,  
10,2,,172137-72710,, "COLLAR 40B, CUSHION",,1,,,,,,,,,,,,,  
11,2,,172137-72720,, "COLLAR 40A, CUSHION",,1,,,,,,,,,,,,,  
12,2,,172137-72730,, "RING 44B, CUSHION",,1,,,,,,,,,,,,,  
13,2,,172141-71870,, "TUBE W/BUSH, SWING",,1,,,,,,,,,,,,,  
15,3,,933125-12701,, "BUSH 38 50A",,1,,,,,,,,,,,,,  
16,2,,172141-71921,, "SEAL SET,PISTON",,1,,,,,,,,,,,,,  
21,2,,172141-71860,, "ROD W/BUSH, SWING",,1,,,,,,,,,,,,,  
23,3,,933125-12701,, "BUSH 38 50A",,1,,,,,,,,,,,,,  
24,2,,172141-72140,, "HEAD 75 40",,1,,,,,,,,,,,,,  
25,3,,933135-14600,, "BUSH 40 30, ROD",,1,,,,,,,,,,,,,  
26,2,,933111-26600,, "RING 55, SPRING",,1,,,,,,,,,,,,,  
27,2,,172137-72700,, "RING 40A, CUSHION",,1,,,,,,,,,,,,,  
28,2,,172141-72930,, "PLUGER 44, CUSHION",,1,,,,,,,,,,,,,  
29,2,,172141-73051,, "PISTON 75 27 A",,1,,,,,,,,,,,,,  
30,2,,172141-73061,, "PISTON 75 27 B",,1,,,,,,,,,,,,,  
31,2,,172142-72810,, "CIRCLIP 22",,1,,,,,,,,,,,,,  
32,2,,22252-000561,, "CIRCLIP 56",,1,,,,,,,,,,,,,  
33,2,,24761-050000,, "NIPPLE C,GREASE",,2,,,,,,,,,,,,,

# Fig. 44 スイングシリンダ(U) SWING CYLINDER (U)

COUNTRY	U K	A S E X
Fig. No.	—	— 44

1 inc. 2~33

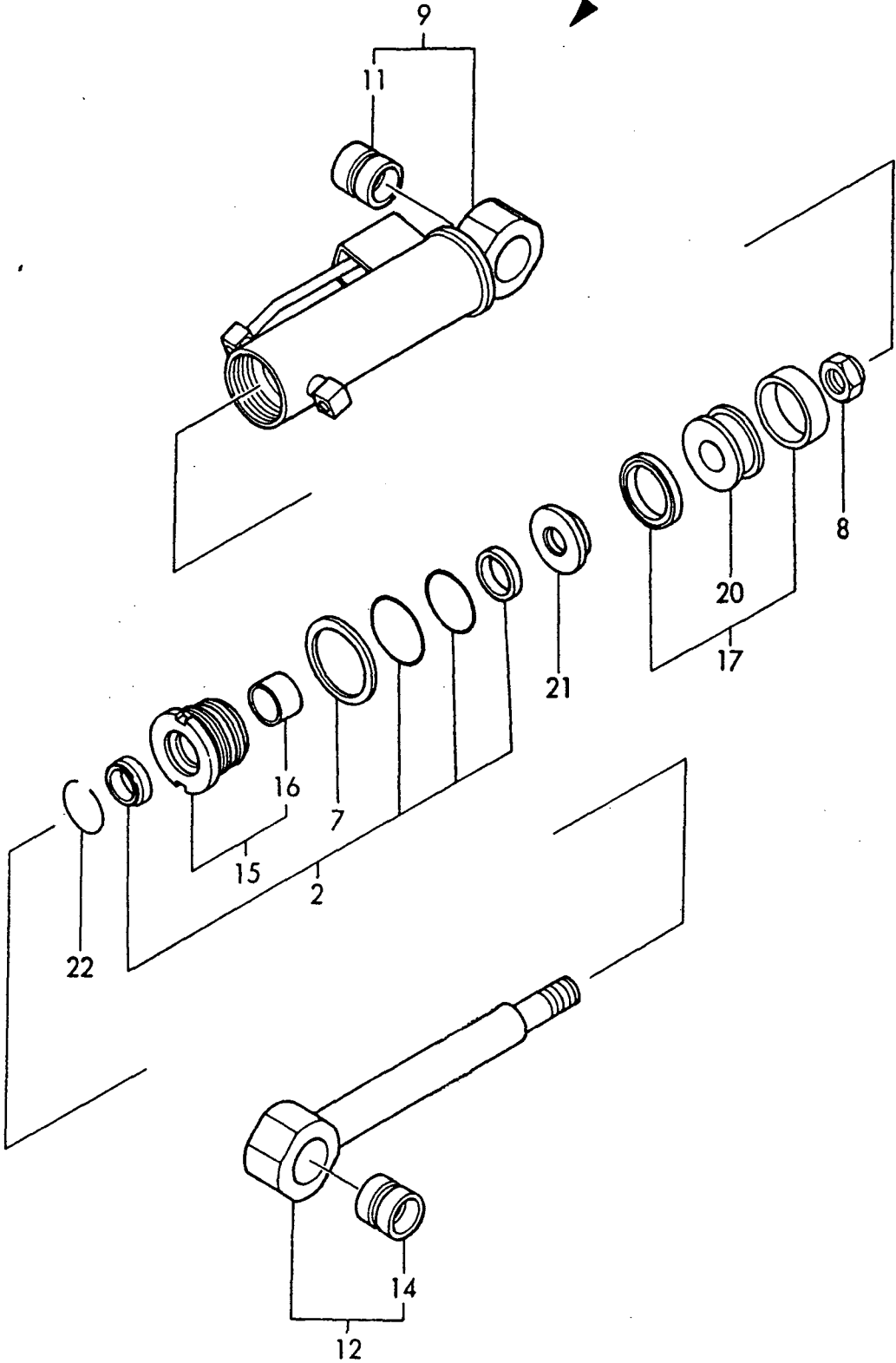


1,1,,172141-72600,, "CYLINDER ASSY, BLADE",1,1,,,,,,,,,,,,,  
2,2,,172141-71890,, "SEAL SET, CYL.HEAD",1,1,,,,,,,,,,,,,  
7,2,,172141-72190,, "WASHER 75",1,1,,,,,,,,,,,,,  
8,2,,172141-72250,, "U-NUT M27",1,1,,,,,,,,,,,,,  
9,2,,172141-71830,, "TUBE W/BUSH, BLADE",1,1,,,,,,,,,,,,,  
11,3,,933125-12701,, "BUSH 38 50A",1,1,,,,,,,,,,,,,  
12,2,,172141-71840,, "ROD W/BUSH, BLADE",1,1,,,,,,,,,,,,,  
14,3,,933125-12701,, "BUSH 38 50A",1,1,,,,,,,,,,,,,  
15,2,,172141-72690,, "HEAD 75 40 W/BUSH",1,1,,,,,,,,,,,,,  
16,3,,933135-14600,, "BUSH 40 30, ROD",1,1,,,,,,,,,,,,,  
17,2,,172148-72930,, "SEAL SET, PISTON",1,1,,,,,,,,,,,,,  
20,2,,172141-73051,, "PISTON 75 27 A",1,1,,,,,,,,,,,,,  
21,2,,172141-73071,, "PISTON 75 27 C",1,1,,,,,,,,,,,,,  
22,2,,933111-26600,, "RING 55, SPRING",1,1,,,,,,,,,,,,,



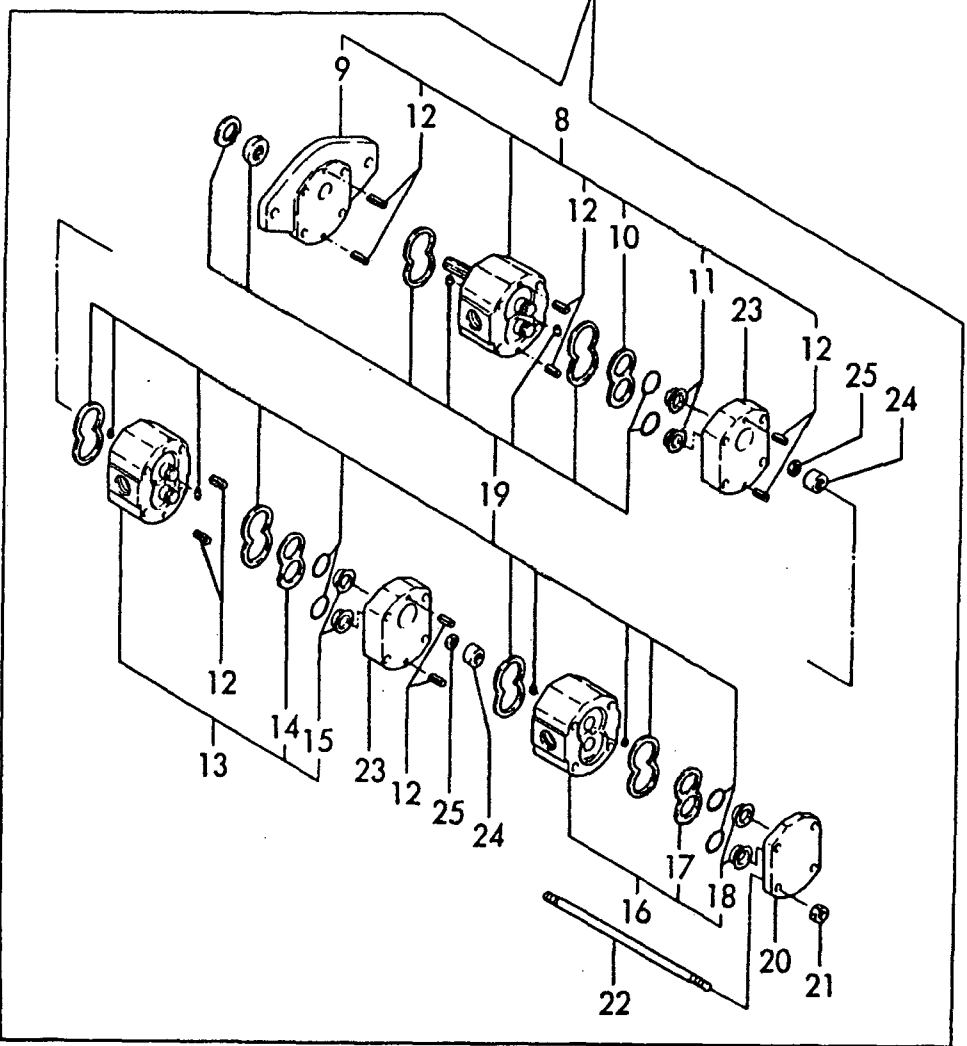
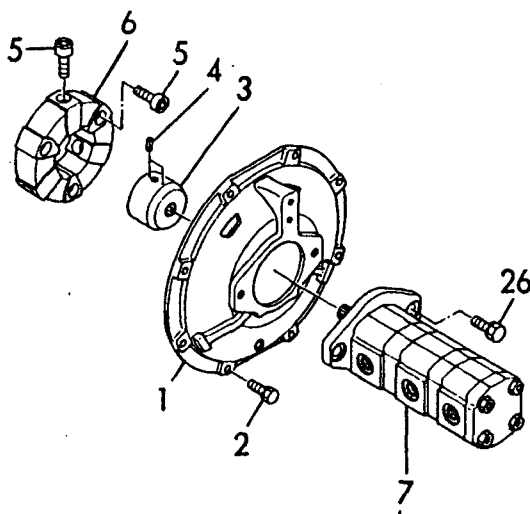
Fig. 45 ブレードシリンダ  
BLADE CYLINDER

1 inc.2~22



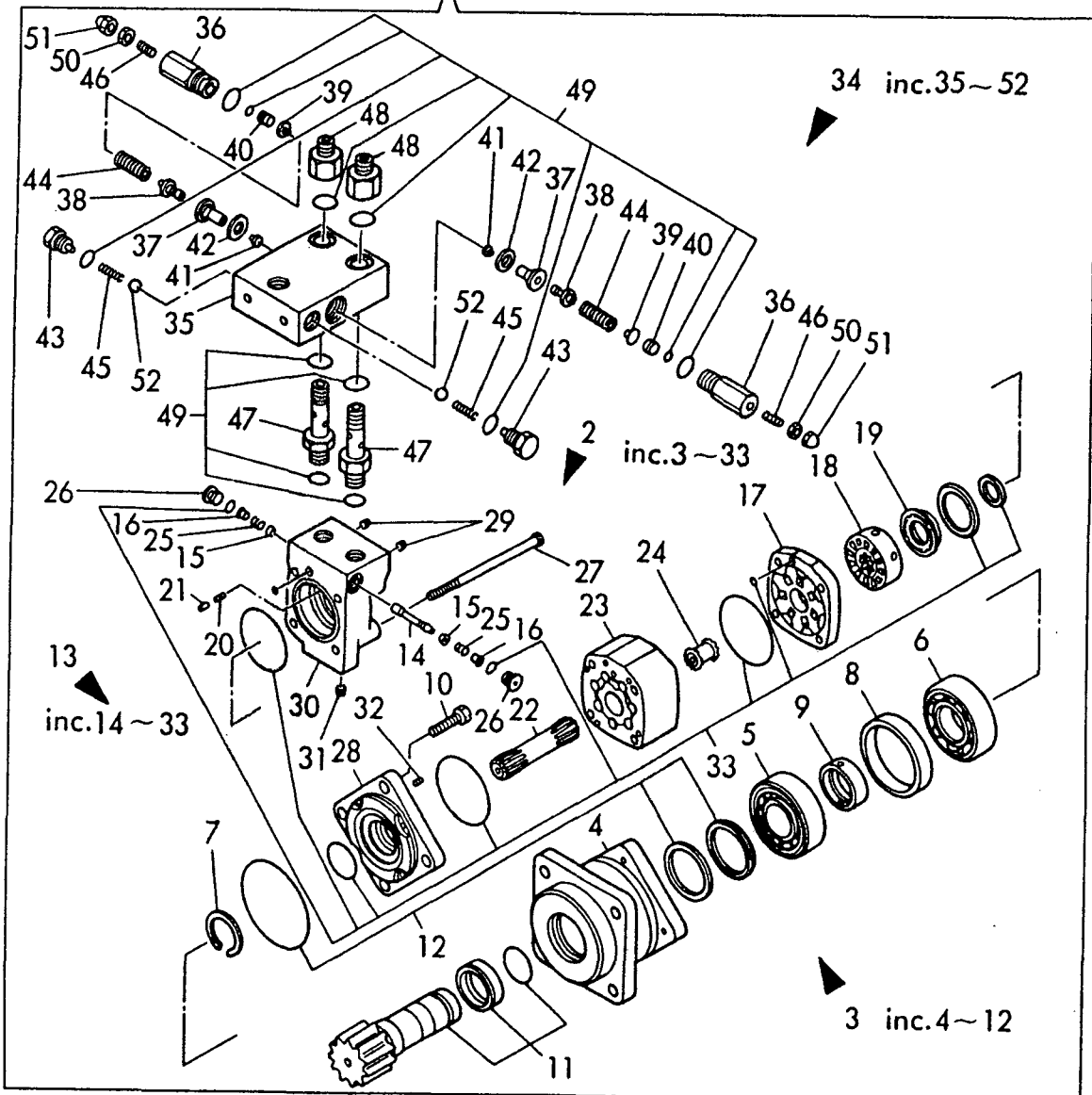
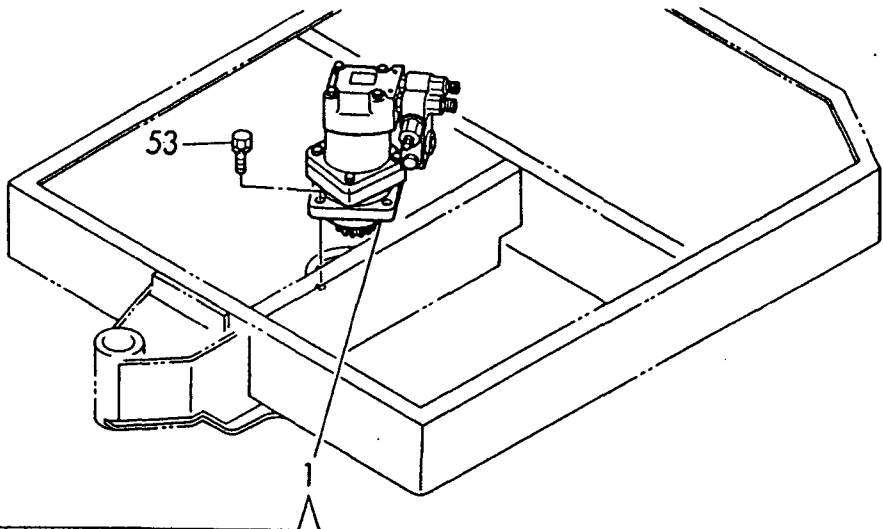
1,1,,172141-71100,, "COVER, FLYWHEEL",1,1,,,,,,,,,,,,,  
2,1,,26013-100302,, "BOLT M10X 30",8,8,,,,,,,,,,,,,  
3,1,,172141-71210,, "COUPLING, PUMP",1,1,,,,,,,,,,,,,  
4,1,,22351-050010,, "SPRING PIN 5X10",6,6,,,,,,,,,,,,,  
5,1,,26450-120402,, "BOLT M12X 40",6,6,,,,,,,,,,,,,  
6,1,,933171-23101,, "COUPLING CF16",1,1,,,,,,,,,,,,,  
7,1,,172141-73100,, "PUMP ASSY, HYD.OIL",1,1,,,,,,,,,,,,,  
8,2,,172141-73110,, "PUMP, FRONT",1,1,,,,,,,,,,,,,  
9,3,,172141-73190,, "FRAME",1,1,,,,,,,,,,,,,  
10,3,,172141-73220,, "PLATE",1,1,,,,,,,,,,,,,  
11,3,,172141-73230,, "GUIDE",2,2,,,,,,,,,,,,,  
12,3,,172141-73240,, "PIN, PARALLEL",10,10,,,,,,,,,,,,,  
13,2,,172141-73120,, "PUMP, CENTER",1,1,,,,,,,,,,,,,  
14,3,,172141-73220,, "PLATE",1,1,,,,,,,,,,,,,  
15,3,,172141-73230,, "GUIDE",2,2,,,,,,,,,,,,,  
16,2,,172141-73130,, "PUMP, REAR",1,1,,,,,,,,,,,,,  
17,3,,172141-73220,, "PLATE",1,1,,,,,,,,,,,,,  
18,3,,172141-73230,, "GUIDE",2,2,,,,,,,,,,,,,  
19,2,,172141-73140,, "SEAL SET",1,1,,,,,,,,,,,,,  
20,2,,172141-73150,, "COVER, REAR",1,1,,,,,,,,,,,,,  
21,2,,172141-73160,, "NUT",4,4,,,,,,,,,,,,,  
22,2,,172141-73170,, "STUD",4,4,,,,,,,,,,,,,  
23,2,,172141-73180,, "FRAME",2,2,,,,,,,,,,,,,  
24,2,,172141-73200,, "COUPLING",2,2,,,,,,,,,,,,,  
25,2,,172141-73210,, "CIRCLIP",2,2,,,,,,,,,,,,,  
26,1,,26013-120352,, "BOLT M12X 35",4,4,,,,,,,,,,,,,

Fig. **46** ポンプ&ジクツギテ  
 HYD. OIL PUMP & JOINT



1,1,,172141-73300,, "MOTOR ASSY, TURNING",1,1,,,,,,,,,,,,,  
2,2,,172141-77000,, "MOTOR, TURNING",1,1,,,,,,,,,,,,,  
3,3,,172141-77410,, "GEAR ASSY, PINION",1,1,,,,,,,,,,,,,  
4,4,,172141-77010,, "HOUSING, BEARING",1,1,,,,,,,,,,,,,  
5,4,,172141-77030,, "BEARING, ROLLER",1,1,,,,,,,,,,,,,  
6,4,,172141-77040,, "BEARING",1,1,,,,,,,,,,,,,  
7,4,,172141-77050,, "RING, RETAINING",1,1,,,,,,,,,,,,,  
8,4,,172141-77060,, "SPACER, BEARING",1,1,,,,,,,,,,,,,  
9,4,,172141-77070,, "SPACER, BEARING",1,1,,,,,,,,,,,,,  
10,4,,172141-77110,, "BOLT",4,4,,,,,,,,,,,,,  
11,4,,172141-77460,, "GEAR SUB ASSY,PINION",1,1,,,,,,,,,,,,,  
12,4,,172141-77430,, "SEAL SET, PINION",1,1,,,,,,,,,,,,,  
13,3,,172141-77420,, "MOTOR",1,1,,,,,,,,,,,,,  
14,4,,172141-77120,, "PISTON",1,1,,,,,,,,,,,,,  
15,4,,172141-77130,, "POPPET",2,2,,,,,,,,,,,,,  
16,4,,172141-77140,, "SLEEVE",2,2,,,,,,,,,,,,,  
17,4,,172141-77160,, "PLATE, VALVE",1,1,,,,,,,,,,,,,  
18,4,,172141-77180,, "VALVE",1,1,,,,,,,,,,,,,  
19,4,,172141-77190,, "PLATE, BALANCING",1,1,,,,,,,,,,,,,  
20,4,,172141-77200,, "SPRING",2,2,,,,,,,,,,,,,  
21,4,,172141-77220,, "PIN",2,2,,,,,,,,,,,,,  
22,4,,172141-77240,, "DRIVE",1,1,,,,,,,,,,,,,  
23,4,,172141-77250,, "ROLLER",1,1,,,,,,,,,,,,,  
24,4,,172141-77260,, "VALVE DRIVE",1,1,,,,,,,,,,,,,  
25,4,,172141-77270,, "SPRING",2,2,,,,,,,,,,,,,  
26,4,,172141-77280,, "PLUG",2,2,,,,,,,,,,,,,  
27,4,,172141-77310,, "BOLT",4,4,,,,,,,,,,,,,  
28,4,,172141-77340,, "FLANGEMOUTING",1,1,,,,,,,,,,,,,  
29,4,,172141-77380,, "PLUG",2,2,,,,,,,,,,,,,  
30,4,,172141-77390,, "HOUSING, VALVE",1,1,,,,,,,,,,,,,  
31,4,,172141-77400,, "PLUG, BLIND",1,1,,,,,,,,,,,,,  
32,4,,172141-77450,, "SPRING, ORIFICE",1,1,,,,,,,,,,,,,  
33,4,,172141-77440,, "SEAL KIT, MOTOR",1,1,,,,,,,,,,,,,  
34,2,,172141-77500,, "VALVE, BRAKE",1,1,,,,,,,,,,,,,  
35,3,,172141-77510,, "BODY, VALVE",1,1,,,,,,,,,,,,,  
36,3,,172141-77520,, "FILTER",2,2,,,,,,,,,,,,,  
37,3,,172141-77530,, "SEAT, VALVE",2,2,,,,,,,,,,,,,  
38,3,,172141-77540,, "VALVE, NEEDLE",2,2,,,,,,,,,,,,,  
39,3,,172141-77550,, "SEAT, SPRING",2,2,,,,,,,,,,,,,  
40,3,,172141-77560,, "PUSH-ROD, SPRING",2,2,,,,,,,,,,,,,  
41,3,,172141-77570,, "PLUG, ORIFICE",2,2,,,,,,,,,,,,,  
42,3,,172141-77580,, "GASKET",2,2,,,,,,,,,,,,,  
43,3,,172141-77590,, "PLUG, CHECK",2,2,,,,,,,,,,,,,  
44,3,,172141-77600,, "SPRING",2,2,,,,,,,,,,,,,  
45,3,,172141-77610,, "SPRING",2,2,,,,,,,,,,,,,  
46,3,,172141-77620,, "SCREW M 6X 18",2,2,,,,,,,,,,,,,  
47,3,,172141-77650,, "VALVE FITTING",2,2,,,,,,,,,,,,,  
48,3,,172141-77660,, "ADAPTER",2,2,,,,,,,,,,,,,  
49,3,,172141-77670,, "SEAL KIT,BRAKE VALVE",1,1,,,,,,,,,,,,,  
50,3,,26756-060002,, "LOCK NUT M 6 PLATED",2,2,,,,,,,,,,,,,  
51,3,,26657-060002,, "CAP NUT M 6",2,2,,,,,,,,,,,,,  
52,3,,24190-140001,, "BALL 7/16, STEEL",2,2,,,,,,,,,,,,,  
53,1,,26013-120402,, "BOLT M12X 40",4,4,,,,,,,,,,,,,

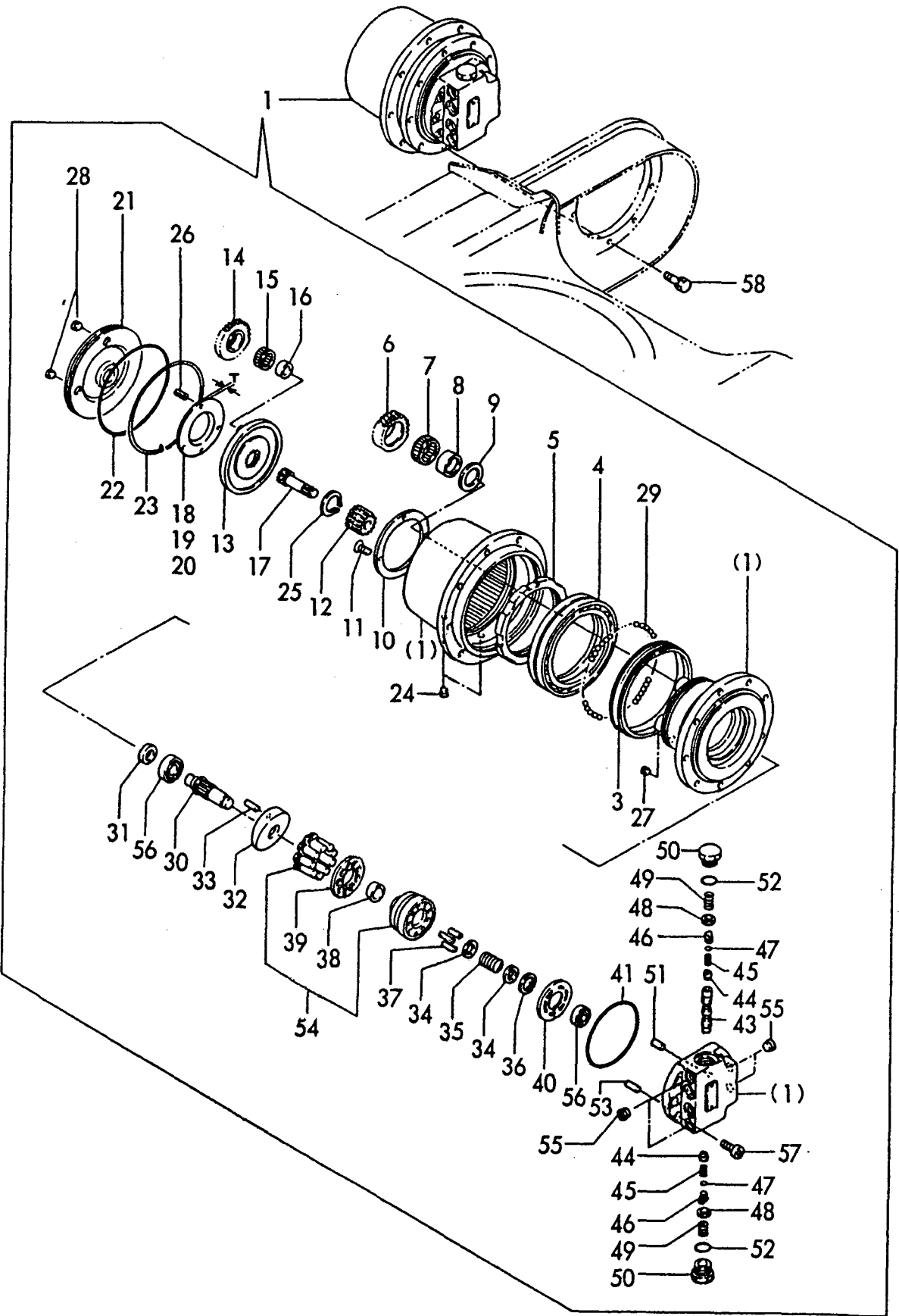
Fig. **47** センカイモータ  
TURNING MOTOR



1,1,,172141-73350,, "MOTOR ASSY, DRIVE",2,2,,,,,,,,,,,,,,,,,,,,,  
3,3,,172141-70020,, "SEAL, FLOATING",2,2,,,,,,,,,,,,,,,,,,,,,  
4,3,,172141-70030,, "BEARING, ANGULAR",2,2,,,,,,,,,,,,,,,,,,,,,  
5,3,,172141-70040,, "NUT, RING",2,2,,,,,,,,,,,,,,,,,,,,,  
6,3,,172141-70060,, "GEAR(B), PLANETARY",8,8,,,,,,,,,,,,,,,,,,,,,  
7,3,,172141-70070,, "CAGE & ROLLER",8,8,,,,,,,,,,,,,,,,,,,,,  
8,3,,172141-70080,, "COLLAR,8,8,,,,,,,,,,,,,,,,,,,,,  
9,3,,172141-70090,, "WASHER, THRUST",8,8,,,,,,,,,,,,,,,,,,,,,  
10,3,,172141-70100,, "PLATE, THRUST",2,2,,,,,,,,,,,,,,,,,,,,,  
11,3,,172141-70110,, "SCREW,8,8,,,,,,,,,,,,,,,,,,,,,  
12,3,,172141-70120,, "GEAR, SUN",2,2,,,,,,,,,,,,,,,,,,,,,  
13,3,,172141-70130,, "HOLDER,2,2,,,,,,,,,,,,,,,,,,,,,  
14,3,,172141-70140,, "GEAR(A), PLANETARY",6,6,,,,,,,,,,,,,,,,,,,,,  
15,3,,172141-70150,, "CAGE & ROLLER",6,6,,,,,,,,,,,,,,,,,,,,,  
16,3,,172141-70160,, "INNER LACE",6,6,,,,,,,,,,,,,,,,,,,,,  
17,3,,172141-70170,, "GEAR, DRIVE",2,2,,,,,,,,,,,,,,,,,,,,,  
18,3,,172141-70180,, "PLATE(T1.8), THRUST",2,2,,,,,1,,,,,,,,,,,,,  
19,3,,172141-70190,, "PLATE(T2.3), THRUST",2,2,,,,,1,,,,,,,,,,,,,  
20,3,,172141-70200,, "PLATE(T2.8), THRUST",2,2,,,,,1,,,,,,,,,,,,,  
21,3,,172141-70210,, "COVER,2,2,,,,,,,,,,,,,,,,,,,,,  
22,3,,172141-70220,, "O-RING,2,2,,,,,,,,,,,,,,,,,,,,,  
23,3,,172141-70230,, "WIRE,2,2,,,,,,,,,,,,,,,,,,,,,  
24,3,,172122-73430,, "PLUG,4,4,,,,,,,,,,,,,,,,,,,,,  
25,3,,22242-000350,, "CIRCLIP 35",2,2,,,,,,,,,,,,,,,,,,,,,  
26,3,,22351-050016,, "SPRING PIN 5X16",6,6,,,,,,,,,,,,,,,,,,,,,  
27,3,,23871-020000,, "PLUG PT 1/4",4,4,,,,,,,,,,,,,,,,,,,,,  
28,3,,23871-030000,, "PLUG PT 3/8",4,4,,,,,,,,,,,,,,,,,,,,,  
29,3,,24190-050001,, "BALL 5/32",62,62,,,,,,,,,,,,,,,,,,,,,  
30,2,,172141-70240,, "SHAFT,2,2,,,,,,,,,,,,,,,,,,,,,  
31,2,,172141-70250,, "SEAL, OIL",2,2,,,,,,,,,,,,,,,,,,,,,  
32,2,,172141-70260,, "PLATE,2,2,,,,,,,,,,,,,,,,,,,,,  
33,2,,172141-70270,, "PIN,2,2,,,,,,,,,,,,,,,,,,,,,  
34,2,,172141-70290,, "HOLDER, SPRING",4,4,,,,,,,,,,,,,,,,,,,,,  
35,2,,172141-70300,, "SPRING,2,2,,,,,,,,,,,,,,,,,,,,,  
36,2,,172141-70310,, "SNAP RING",2,2,,,,,,,,,,,,,,,,,,,,,  
37,2,,172141-70320,, "PIN,6,6,,,,,,,,,,,,,,,,,,,,,  
38,2,,172141-70330,, "HOLDER, RETAINER",2,2,,,,,,,,,,,,,,,,,,,,,  
39,2,,172141-70340,, "PLATE, RETAINER",2,2,,,,,,,,,,,,,,,,,,,,,  
40,2,,172141-70360,, "PLATE, VALVE",2,2,,,,,,,,,,,,,,,,,,,,,  
41,2,,172141-70370,, "O-RING,2,2,,,,,,,,,,,,,,,,,,,,,  
43,3,,172141-70400,, "PLUNGER,2,2,,,,,,,,,,,,,,,,,,,,,  
44,3,,172141-70410,, "VALVE, CHECK",4,4,,,,,,,,,,,,,,,,,,,,,  
45,3,,172141-70420,, "SPRING,4,4,,,,,,,,,,,,,,,,,,,,,  
46,3,,172141-70430,, "PLUG,4,4,,,,,,,,,,,,,,,,,,,,,  
47,3,,172141-70440,, "O-RING,4,4,,,,,,,,,,,,,,,,,,,,,  
48,3,,172141-70450,, "SEAT, SPRING",4,4,,,,,,,,,,,,,,,,,,,,,  
49,3,,172141-70460,, "SPRING,4,4,,,,,,,,,,,,,,,,,,,,,  
50,3,,172141-70470,, "CAP,4,4,,,,,,,,,,,,,,,,,,,,,  
51,3,,172141-70480,, "PIN,2,2,,,,,,,,,,,,,,,,,,,,,  
52,3,,24315-000300,, "O-RING 1B P-30.0",4,4,,,,,,,,,,,,,,,,,,,,,  
53,2,,172141-70490,, "PIN,4,4,,,,,,,,,,,,,,,,,,,,,  
54,2,,172141-70540,, "CYLINDER BLOCK S/A",2,2,,,,,,,,,,,,,,,,,,,,,  
55,2,,23871-020000,, "PLUG PT 1/4",8,8,,,,,,,,,,,,,,,,,,,,,  
56,2,,24101-060024,, "BALL BEARING",2,2,,,,,,,,,,,,,,,,,,,,,  
57,2,,26450-080202,, "BOLT M 8X 20",12,12,,,,,,,,,,,,,,,,,,,,,  
58,1,,26013-120302,, "BOLT M12X 30",18,18,,,,,,,,,,,,,,,,,,,,,

ソウコウモータ  
TRAVEL MOTOR

Fig. 48

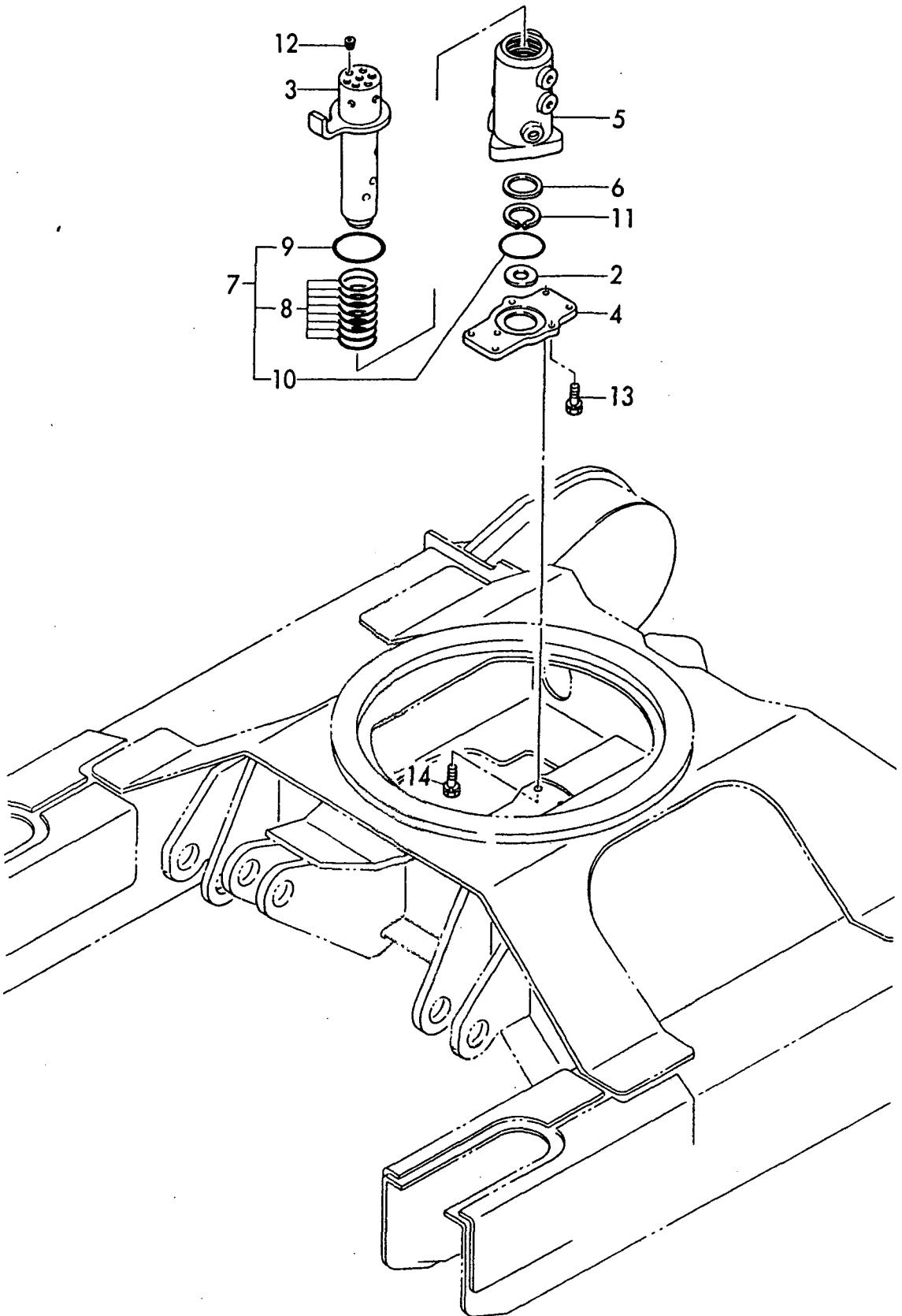


1,1,,172141-73800,, "JOINT, SWIVEL",1,1,,,,,,,,,,,,,  
2,2,,194630-31910,, "LINER 22.5X40X2",1,1,,,,,,,,,,,,,  
3,2,,172141-73810,, "SHAFT, SWIVEL",1,1,,,,,,,,,,,,,  
4,2,,172131-73830,, "FLANGE, SWIVEL",1,1,,,,,,,,,,,,,  
5,2,,172141-73830,, "HUB, SWIVEL",1,1,,,,,,,,,,,,,  
6,2,,172137-73860,, "SPACER, SWIVEL",1,1,,,,,,,,,,,,,  
7,2,,172141-73890,, "SEAL SET, SWIVEL",1,1,,,,,,,,,,,,,  
8,3,,172142-73800,, "O-RING 55.76X5.7",8,8,,,,,,,,,,,,,  
9,3,,24311-000750,, "O-RING 1A P-75.0",1,1,,,,,,,,,,,,,  
10,3,,24321-000700,, "O-RING 1A G-70.0",1,1,,,,,,,,,,,,,  
11,2,,22242-000451,, "CIRCLIP 45",1,1,,,,,,,,,,,,,  
12,2,,23871-020000,, "PLUG PT 1/4",6,6,,,,,,,,,,,,,  
13,2,,26013-100252,, "BOLT M10X 25",3,3,,,,,,,,,,,,,  
14,1,,26013-100302,, "BOLT M10X 30",4,4,,,,,,,,,,,,,



Fig. 49 スイベルジョイント  
SWIVEL JOINT

1  
▲ inc.2~13



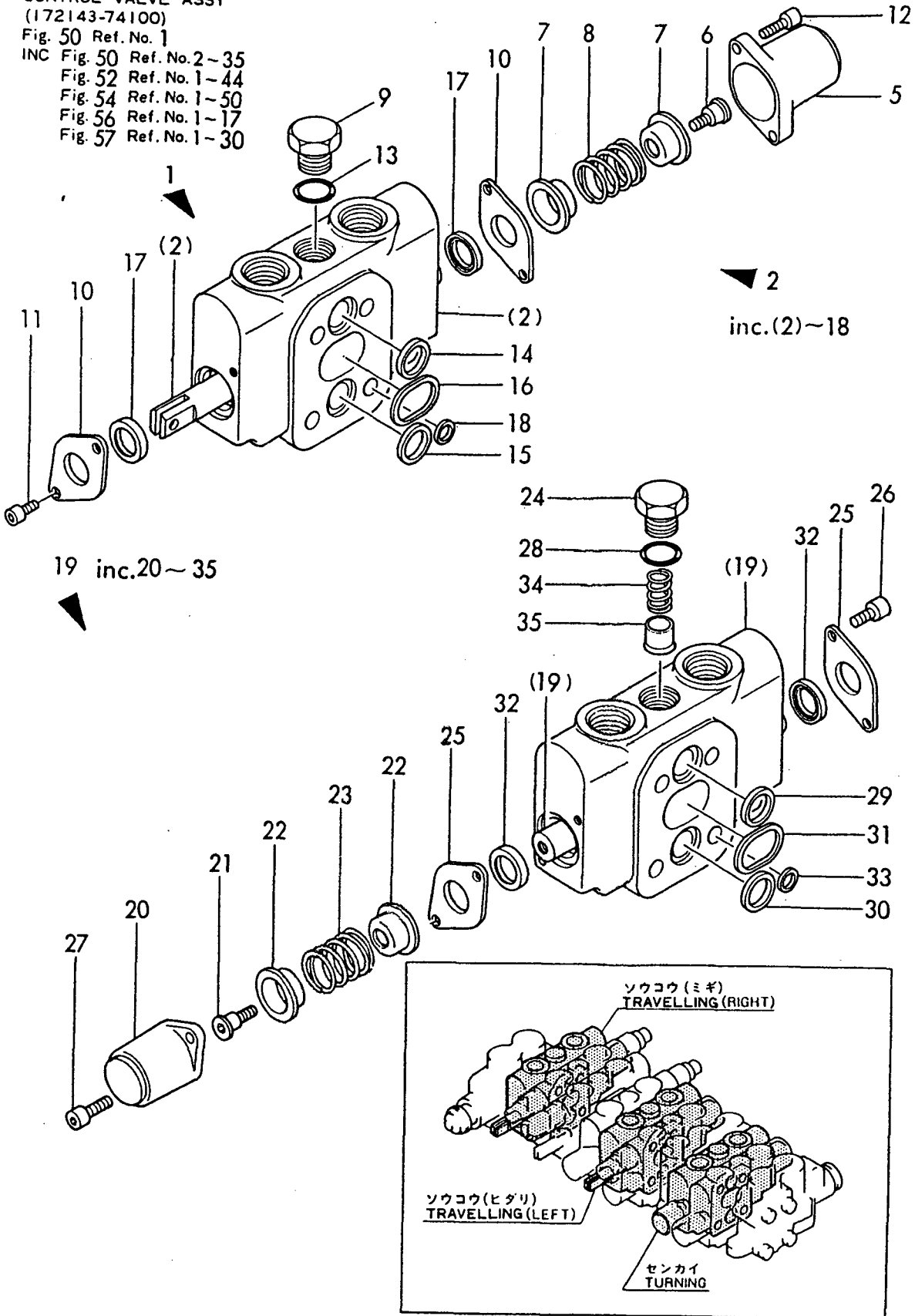
1,1,,172143-74100,,VALVE,1,1,,,,,1,,,,,,,,,  
2,2,,172141-74150,,,"BODY ASSY",2,2,,,,,,,,,  
5,3,,172141-74350,,COVER,2,2,,,,,,,,,  
6,3,,172141-74360,,,"SEAT, SPRING",2,2,,,,,,,,,  
7,3,,172141-74370,,,"SEAT, SPRING",4,4,,,,,,,,,  
8,3,,172141-74380,,SPRING,2,2,,,,,,,,,  
9,3,,172141-74390,,PLUG,2,2,,,,,,,,,  
10,3,,172141-74400,,PLATE,4,4,,,,,,,,,  
11,3,,172141-74410,,BOLT,4,4,,,,,,,,,  
12,3,,172141-74420,,BOLT,4,4,,,,,,,,,  
13,3,,172141-74430,,O-RING,2,2,,,,,,,,,  
14,3,,172141-74440,,RING,2,2,,,,,,,,,  
15,3,,172141-74450,,RING,2,2,,,,,,,,,  
16,3,,172141-74460,,RING,2,2,,,,,,,,,  
17,3,,172141-74470,,GASKET,4,4,,,,,,,,,  
18,3,,172141-74480,,SHIM,8,8,,,,,,,,,  
19,2,,172143-74350,,,"BODY ASSY, VALVE",1,1,,,,,,,,,  
20,3,,172141-74350,,COVER,1,1,,,,,,,,,  
21,3,,172141-74360,,,"SEAT, SPRING",1,1,,,,,,,,,  
22,3,,172141-74370,,,"SEAT, SPRING",2,2,,,,,,,,,  
23,3,,172141-74380,,SPRING,1,1,,,,,,,,,  
24,3,,172141-74390,,PLUG,1,1,,,,,,,,,  
25,3,,172141-74400,,PLATE,2,2,,,,,,,,,  
26,3,,172141-74410,,BOLT,2,2,,,,,,,,,  
27,3,,172141-74420,,BOLT,2,2,,,,,,,,,  
28,3,,172141-74430,,O-RING,1,1,,,,,,,,,  
29,3,,172141-74440,,RING,1,1,,,,,,,,,  
30,3,,172141-74450,,RING,1,1,,,,,,,,,  
31,3,,172141-74460,,RING,1,1,,,,,,,,,  
32,3,,172141-74470,,GASKET,2,2,,,,,,,,,  
33,3,,172141-74480,,SHIM,4,4,,,,,,,,,  
34,3,,172141-74520,,SPRING,1,1,,,,,,,,,  
35,3,,172141-74530,,PLANGER,1,1,,,,,,,,,

Fig. 50 コントロールバルブ(ソウコウ & センカイ)  
CONTROL VALVE (TRAVEL & TURNING)

COUNTRY	U	K	A	S	E	X
Fig. No.	50	51	51	51	51	51

コントロールバルブ ASSY  
CONTROL VALVE ASSY  
(172143-74100)

Fig. 50 Ref. No. 1  
INC Fig. 50 Ref. No. 2~35  
Fig. 52 Ref. No. 1~44  
Fig. 54 Ref. No. 1~50  
Fig. 56 Ref. No. 1~17  
Fig. 57 Ref. No. 1~30



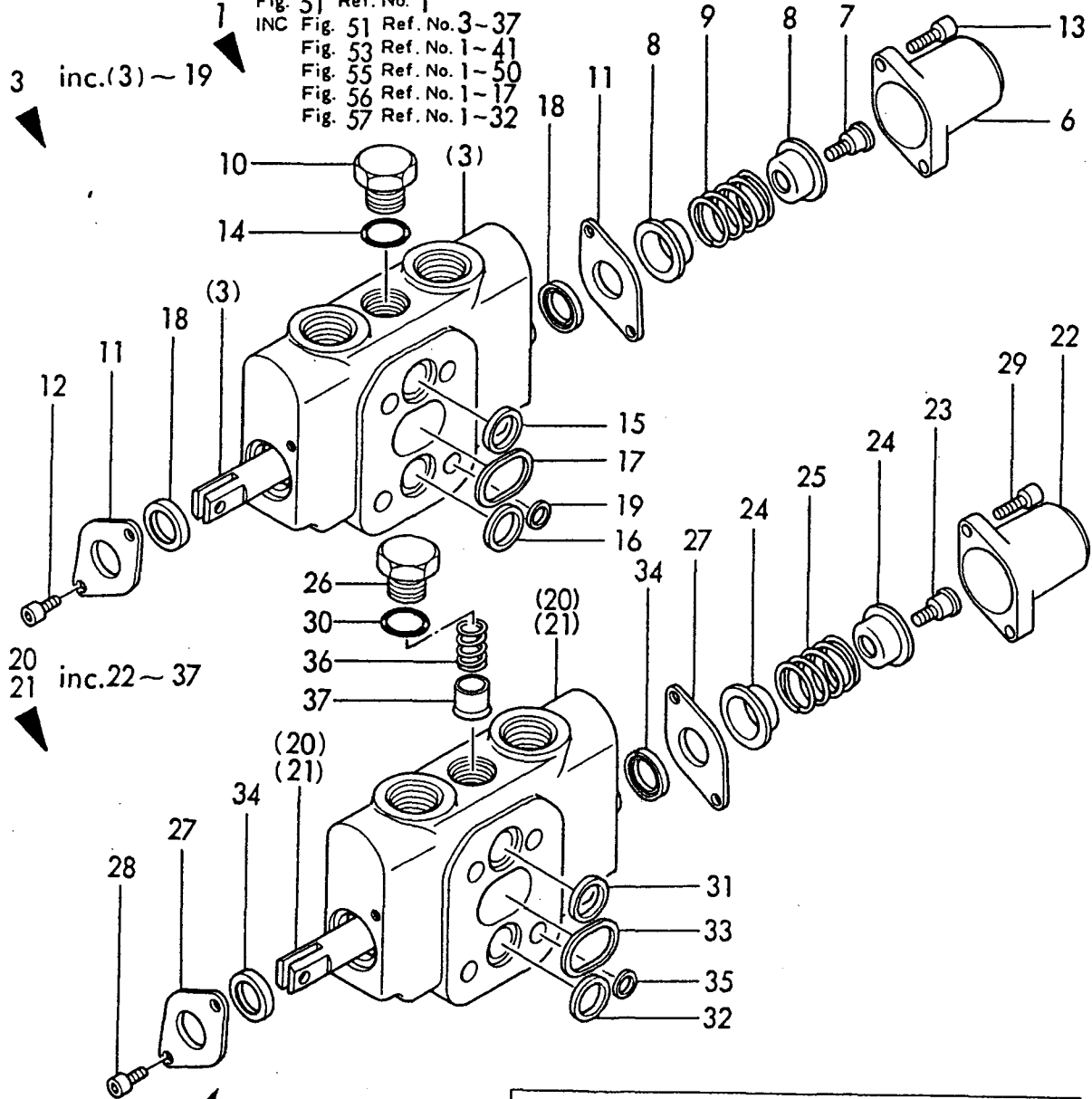
1,1,,172141-74100,, "VALVE ASSY, CONTROL",1,1,,,,,1,,,,,  
2,1,,172141-74110,, VALVE,1,1,,,,,2,,,,,  
3,2,,172141-74150,, "BODY ASSY",2,2,,,,,  
6,3,,172141-74350,, COVER,2,2,,,,,  
7,3,,172141-74360,, "SEAT, SPRING",2,2,,,,,  
8,3,,172141-74370,, "SEAT, SPRING",4,4,,,,,  
9,3,,172141-74380,, SPRING,2,2,,,,,  
10,3,,172141-74390,, PLUG,2,2,,,,,  
11,3,,172141-74400,, PLATE,4,4,,,,,  
12,3,,172141-74410,, BOLT,4,4,,,,,  
13,3,,172141-74420,, BOLT,4,4,,,,,  
14,3,,172141-74430,, O-RING,2,2,,,,,  
15,3,,172141-74440,, RING,2,2,,,,,  
16,3,,172141-74450,, RING,2,2,,,,,  
17,3,,172141-74460,, RING,2,2,,,,,  
18,3,,172141-74470,, GASKET,4,4,,,,,  
19,3,,172141-74480,, SHIM,8,8,,,,,  
20,2,,172141-74210,, "BODY ASSY",1,1,,,,,  
21,2,,172143-74350,, "BODY ASSY, VALVE",1,1,,,,,2,,,,,  
22,3,,172141-74350,, COVER,1,1,,,,,  
23,3,,172141-74360,, "SEAT, SPRING",1,1,,,,,  
24,3,,172141-74370,, "SEAT, SPRING",2,2,,,,,  
25,3,,172141-74380,, SPRING,1,1,,,,,  
26,3,,172141-74390,, PLUG,1,1,,,,,  
27,3,,172141-74400,, PLATE,2,2,,,,,  
28,3,,172141-74410,, BOLT,2,2,,,,,  
29,3,,172141-74420,, BOLT,2,2,,,,,  
30,3,,172141-74430,, O-RING,1,1,,,,,  
31,3,,172141-74440,, RING,1,1,,,,,  
32,3,,172141-74450,, RING,1,1,,,,,  
33,3,,172141-74460,, RING,1,1,,,,,  
34,3,,172141-74470,, GASKET,2,2,,,,,  
35,3,,172141-74480,, SHIM,4,4,,,,,  
36,3,,172141-74520,, SPRING,1,1,,,,,  
37,3,,172141-74530,, PLANGER,1,1,,,,,

# Fig. 51    コントロールバルブ(ソウコウ&センカイ) CONTROL VALVE (TRAVEL & TURNING)

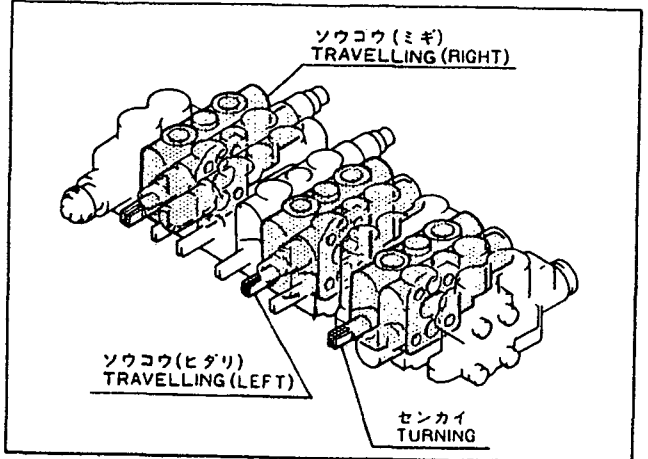
COUNTRY	U	K	A	S	E	X
Fig. No.	50	51	51			

コントロールバルブ ASSY  
CONTROL VALVE ASSY  
(172141-74100)

Fig. 51 Ref. No. 1  
INC Fig. 51 Ref. No. 3-37  
Fig. 53 Ref. No. 1-41  
Fig. 55 Ref. No. 1-50  
Fig. 56 Ref. No. 1-17  
Fig. 57 Ref. No. 1-32



2 コントロールバルブ ASSY  
CONTROL VALVE ASSY  
(172141-74110)  
Fig. 51 Ref. No. 2  
INC Fig. 51 Ref. No. 3-37  
Fig. 53 Ref. No. 2-46  
Fig. 55 Ref. No. 2-55  
Fig. 56 Ref. No. 1-17  
Fig. 57 Ref. No. 1-30

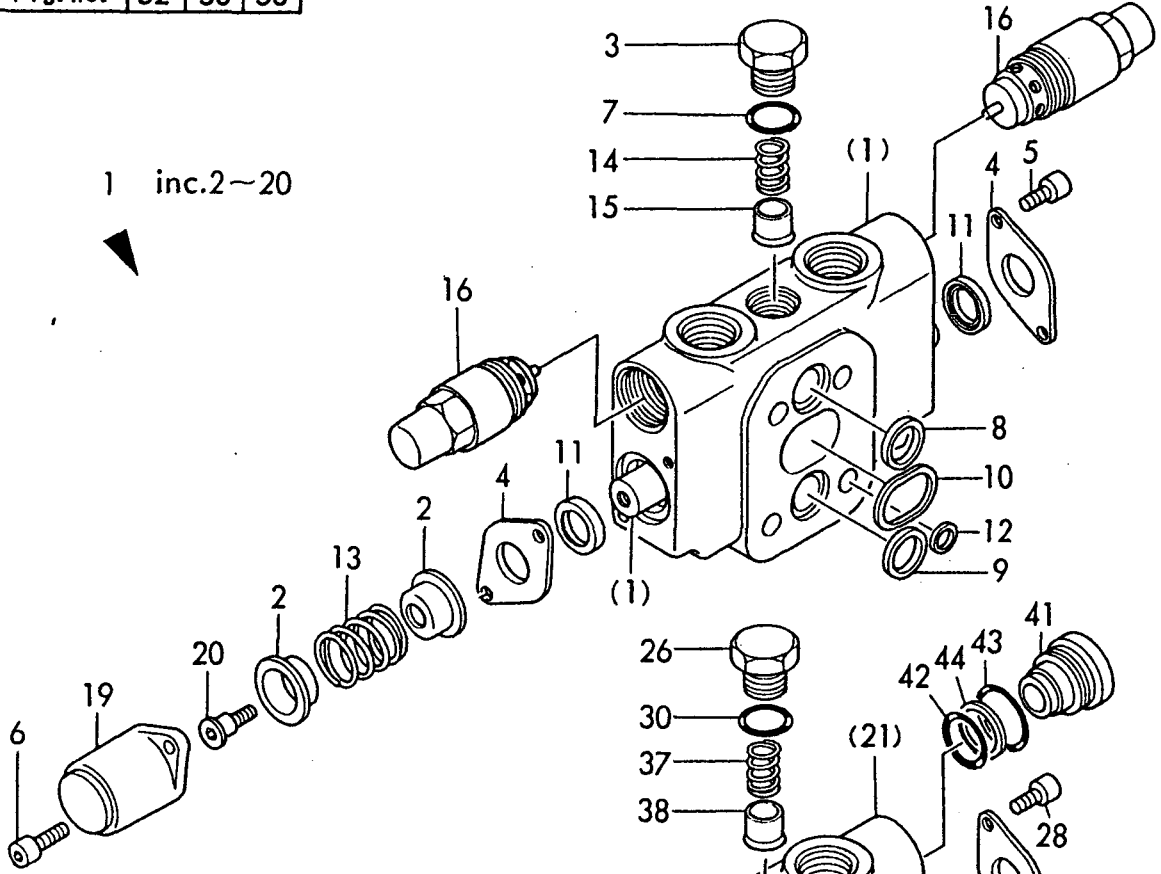


1,2,,172143-74150,, "BODY ASSY, VALVE",1,1,,,,,,,,,,,,,  
2,3,,172141-74370,, "SEAT, SPRING",2,2,,,,,,,,,,,,,  
3,3,,172141-74570,, PLUG,1,1,,,,,,,,,,,,,  
4,3,,172141-74400,, PLATE,2,2,,,,,,,,,,,,,  
5,3,,172141-74410,, BOLT,2,2,,,,,,,,,,,,,  
6,3,,172141-74420,, BOLT,2,2,,,,,,,,,,,,,  
7,3,,172141-74430,, O-RING,1,1,,,,,,,,,,,,,  
8,3,,172141-74440,, RING,1,1,,,,,,,,,,,,,  
9,3,,172141-74450,, RING,1,1,,,,,,,,,,,,,  
10,3,,172141-74460,, RING,1,1,,,,,,,,,,,,,  
11,3,,172141-74470,, GASKET,2,2,,,,,,,,,,,,,  
12,3,,172141-74480,, SHIM,4,4,,,,,,,,,,,,,  
13,3,,172141-74380,, SPRING,1,1,,,,,,,,,,,,,  
14,3,,172141-74520,, SPRING,1,1,,,,,,,,,,,,,  
15,3,,172141-74530,, PLANGER,1,1,,,,,,,,,,,,,  
16,3,,172141-74540,, "VALVE 190/22, RELIEF",2,2,,,,,,,,,,,,,  
19,3,,172141-74350,, COVER,1,1,,,,,,,,,,,,,  
20,3,,172141-74360,, "SEAT, SPRING",1,1,,,,,,,,,,,,,  
21,2,,172143-74300,, "BODY ASSY, VALVE",1,1,,,,,,,,,,,,,  
22,3,,172141-74350,, COVER,1,1,,,,,,,,,,,,,  
23,3,,172141-74360,, "SEAT, SPRING",1,1,,,,,,,,,,,,,  
24,3,,172141-74370,, "SEAT, SPRING",2,2,,,,,,,,,,,,,  
25,3,,172141-74380,, SPRING,1,1,,,,,,,,,,,,,  
26,3,,172141-74390,, PLUG,1,1,,,,,,,,,,,,,  
27,3,,172141-74400,, PLATE,2,2,,,,,,,,,,,,,  
28,3,,172141-74410,, BOLT,2,2,,,,,,,,,,,,,  
29,3,,172141-74420,, BOLT,2,2,,,,,,,,,,,,,  
30,3,,172141-74430,, O-RING,1,1,,,,,,,,,,,,,  
31,3,,172141-74440,, RING,1,1,,,,,,,,,,,,,  
32,3,,172141-74450,, RING,1,1,,,,,,,,,,,,,  
33,3,,172141-74460,, RING,1,1,,,,,,,,,,,,,  
34,3,,172141-74470,, GASKET,2,2,,,,,,,,,,,,,  
35,3,,172141-74480,, SHIM,4,4,,,,,,,,,,,,,  
37,3,,172141-74520,, SPRING,1,1,,,,,,,,,,,,,  
38,3,,172141-74530,, PLANGER,1,1,,,,,,,,,,,,,  
39,3,,172141-74540,, "VALVE 190/22, RELIEF",1,1,,,,,,,,,,,,,  
41,3,,172141-74570,, PLUG,1,1,,,,,,,,,,,,,  
42,3,,172141-74580,, O-RING,1,1,,,,,,,,,,,,,  
43,3,,172141-74590,, O-RING,1,1,,,,,,,,,,,,,  
44,3,,172141-74600,, "RING, BACK UP",1,1,,,,,,,,,,,,,

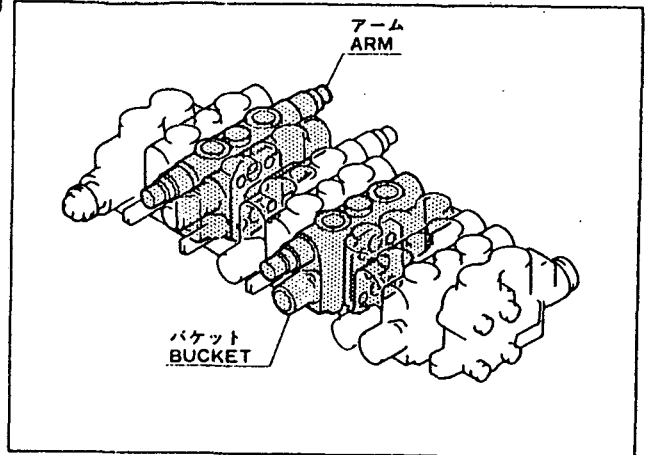
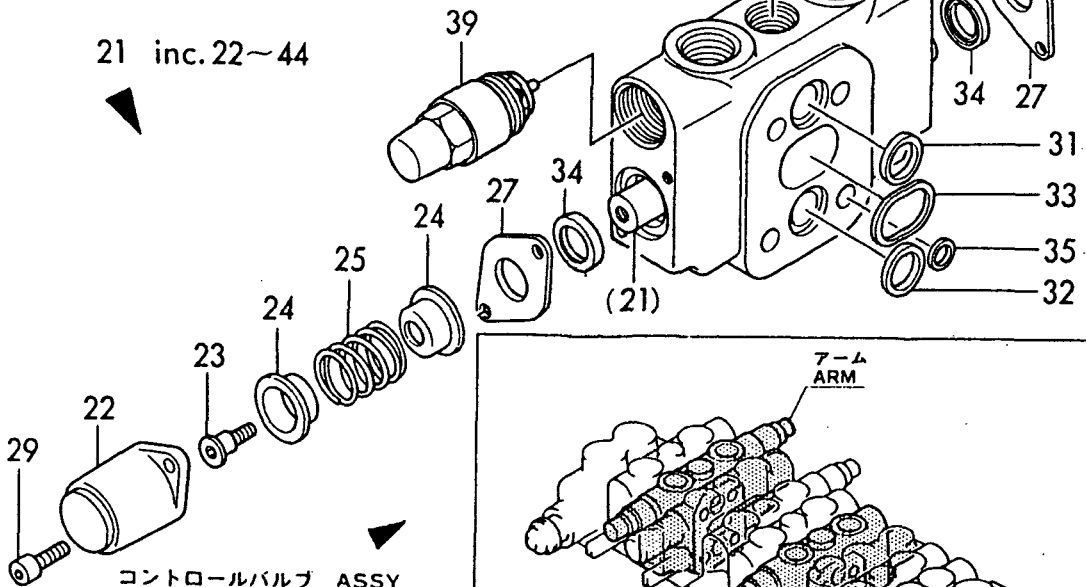
# Fig. 52 コントロールバルブ(アーム&バケット) CONTROL VALVE (ARM & BUCKET)

COUNTRY	U	K	A	S	E	X
Fig. No.	52	53	53	53		

1 inc. 2~20



21 inc. 22~44



コントロールバルブ ASSY  
CONTROL VALVE ASSY  
(172143-74100)

Fig. 50 Ref. No. 1

INC Fig. 50 Ref. No. 2~35

Fig. 52 Ref. No. 1~44

Fig. 54 Ref. No. 1~50

Fig. 56 Ref. No. 1~17

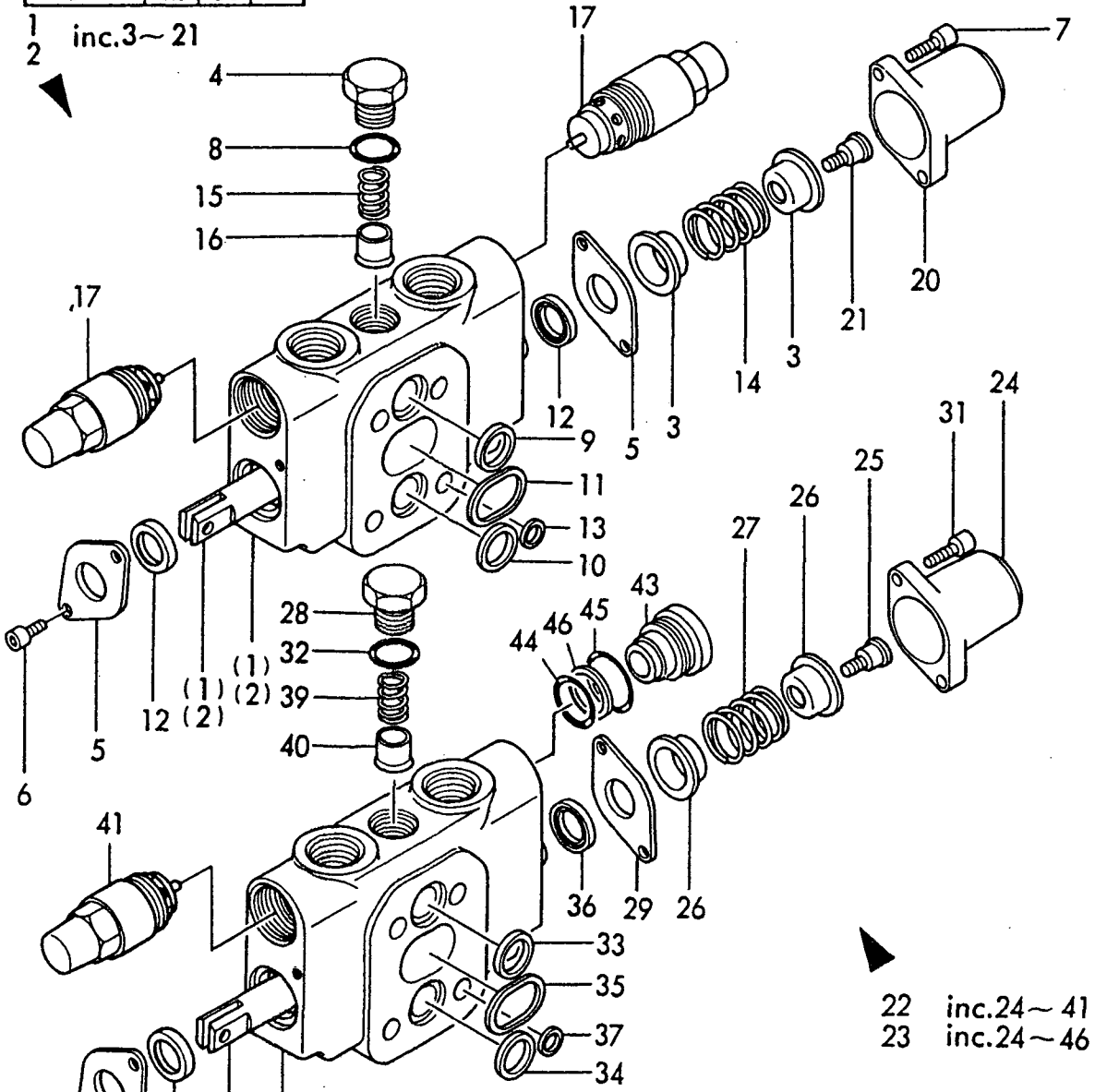
Fig. 57 Ref. No. 1~30

1,2,,172141-74160,, "BODY ASSY",1,1,,,,,,,,,,,,,  
2,2,,172141-74010,, "BODY ARM, 3RD",1,1,,,,,1,,,,,,,,,,,,,  
3,3,,172141-74370,, "SEAT, SPRING",2,2,,,,,,,,,,,,,  
4,3,,172141-74390,, PLUG,1,1,,,,,,,,,,,,,  
5,3,,172141-74400,, PLATE,2,2,,,,,,,,,,,,,  
6,3,,172141-74410,, BOLT,2,2,,,,,,,,,,,,,  
7,3,,172141-74420,, BOLT,2,2,,,,,,,,,,,,,  
8,3,,172141-74430,, O-RING,1,1,,,,,,,,,,,,,  
9,3,,172141-74440,, RING,1,1,,,,,,,,,,,,,  
10,3,,172141-74450,, RING,1,1,,,,,,,,,,,,,  
11,3,,172141-74460,, RING,1,1,,,,,,,,,,,,,  
12,3,,172141-74470,, GASKET,2,2,,,,,,,,,,,,,  
13,3,,172141-74480,, SHIM,4,4,,,,,,,,,,,,,  
14,3,,172141-74380,, SPRING,1,1,,,,,,,,,,,,,  
15,3,,172141-74520,, SPRING,1,1,,,,,,,,,,,,,  
16,3,,172141-74530,, PLANGER,1,1,,,,,,,,,,,,,  
17,3,,172141-74540,, "VALVE 190/22, RELIEF",2,2,,,,,,,,,,,,,  
20,3,,172141-74350,, COVER,1,1,,,,,,,,,,,,,  
21,3,,172141-74360,, "SEAT, SPRING",1,1,,,,,,,,,,,,,  
22,2,,172141-74200,, "BODY ASSY",1,1,,,,,,,,,,,,,  
23,2,,172141-74010,, "BODY ARM, 3RD",1,1,,,,,1,,,,,,,,,,,,,  
24,3,,172141-74350,, COVER,1,1,,,,,,,,,,,,,  
25,3,,172141-74360,, "SEAT, SPRING",1,1,,,,,,,,,,,,,  
26,3,,172141-74370,, "SEAT, SPRING",2,2,,,,,,,,,,,,,  
27,3,,172141-74380,, SPRING,1,1,,,,,,,,,,,,,  
28,3,,172141-74390,, PLUG,1,1,,,,,,,,,,,,,  
29,3,,172141-74400,, PLATE,2,2,,,,,,,,,,,,,  
30,3,,172141-74410,, BOLT,2,2,,,,,,,,,,,,,  
31,3,,172141-74420,, BOLT,2,2,,,,,,,,,,,,,  
32,3,,172141-74430,, O-RING,1,1,,,,,,,,,,,,,  
33,3,,172141-74440,, RING,1,1,,,,,,,,,,,,,  
34,3,,172141-74450,, RING,1,1,,,,,,,,,,,,,  
35,3,,172141-74460,, RING,1,1,,,,,,,,,,,,,  
36,3,,172141-74470,, GASKET,2,2,,,,,,,,,,,,,  
37,3,,172141-74480,, SHIM,4,4,,,,,,,,,,,,,  
39,3,,172141-74520,, SPRING,1,1,,,,,,,,,,,,,  
40,3,,172141-74530,, PLANGER,1,1,,,,,,,,,,,,,  
41,3,,172141-74540,, "VALVE 190/22, RELIEF",1,1,,,,,,,,,,,,,  
43,3,,172141-74570,, PLUG,1,1,,,,,1,,,,,,,,,,,,,  
44,3,,172141-74580,, O-RING,1,1,,,,,1,,,,,,,,,,,,,  
45,3,,172141-74590,, O-RING,1,1,,,,,1,,,,,,,,,,,,,  
46,3,,172141-74600,, "RING, BACK UP",1,1,,,,,1,,,,,,,,,,,,,



**Fig. 53** コントロールバルブ(アーム & バケット)  
**CONTROL VALVE (ARM & BUCKET)**

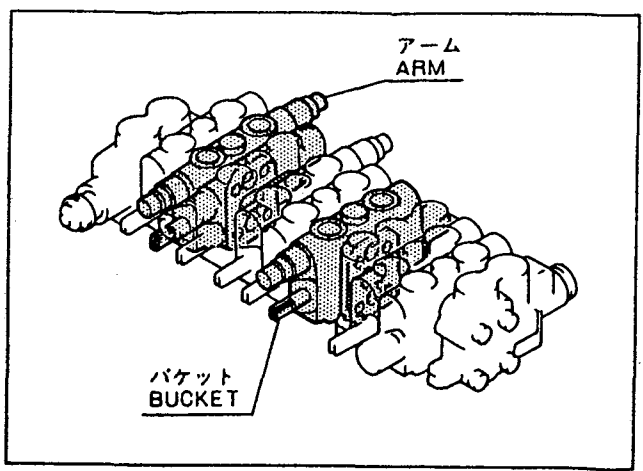
COUNTRY	U	K	A	S	E	X
Fig.No.	52	53	53			



1  
2 inc.3~21

22 inc.24~41  
23 inc.24~46

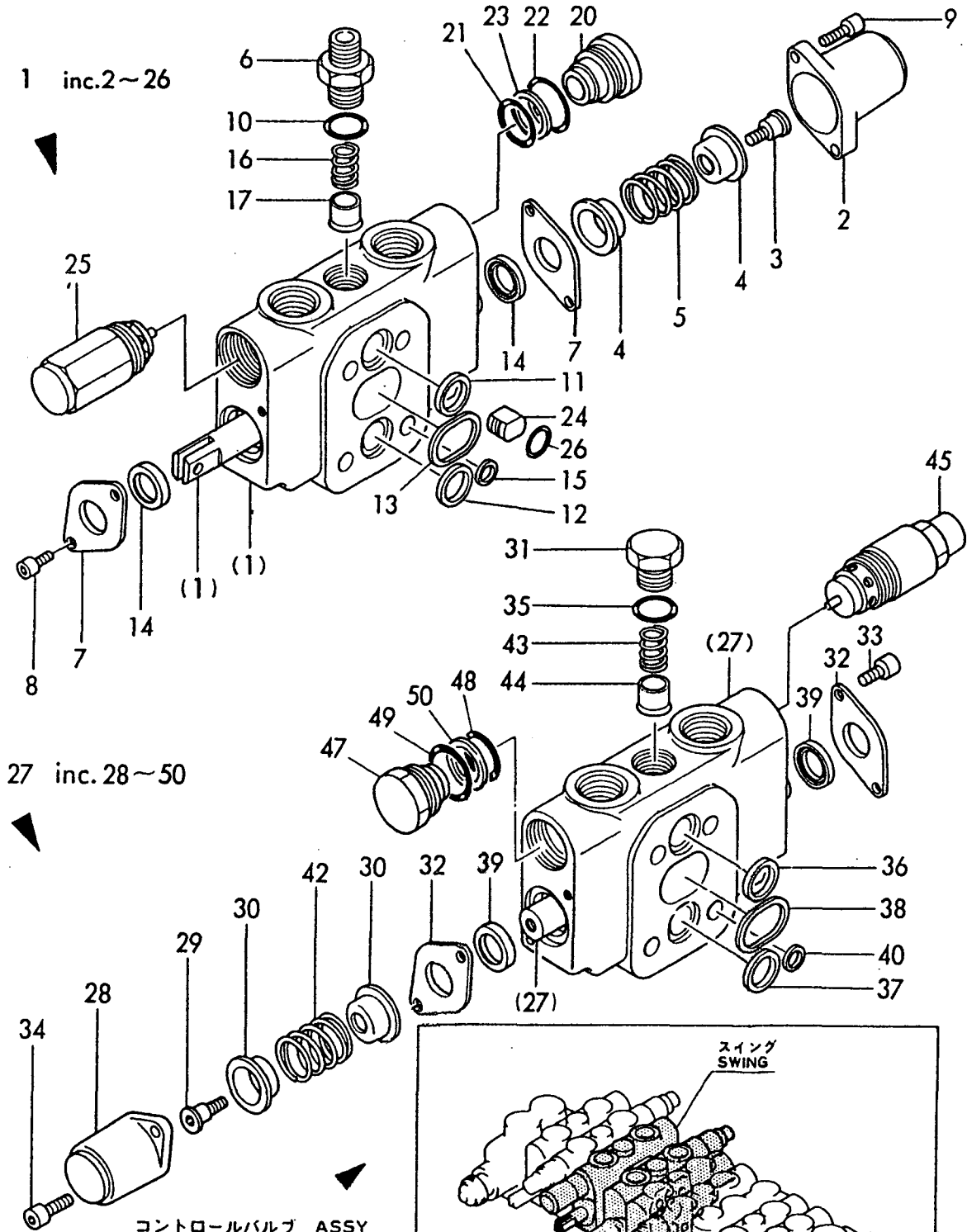
コントロールバルブ ASSY  
 CONTROL VALVE ASSY  
 (172141-74100)  
 Fig. 51 Ref. No. 1  
 INC Fig. 51 Ref. No. 3-37  
 Fig. 53 Ref. No. 1-41  
 Fig. 55 Ref. No. 1-50  
 Fig. 56 Ref. No. 1-17  
 Fig. 57 Ref. No. 1-32  
 (172141-74110)  
 Fig. 51 Ref. No. 2  
 INC Fig. 51 Ref. No. 3-37  
 Fig. 53 Ref. No. 2-46  
 Fig. 55 Ref. No. 2-55  
 Fig. 56 Ref. No. 1-17  
 Fig. 57 Ref. No. 1-30



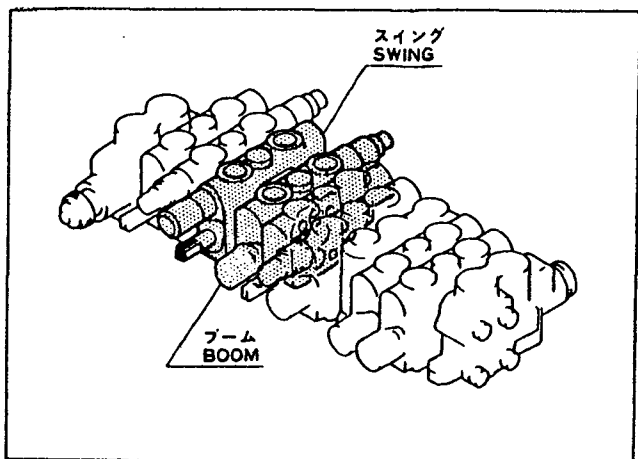
1,2,,172143-74180,, "BODY ASSY, VALVE",1,1,,,,,,,,,,,,,  
2,3,,172141-74350,,COVER,1,1,,,,,,,,,,,,,  
3,3,,172141-74360,, "SEAT, SPRING",1,1,,,,,,,,,,,,,  
4,3,,172141-74370,, "SEAT, SPRING",2,2,,,,,,,,,,,,,  
5,3,,172141-74380,,SPRING,1,1,,,,,,,,,,,,,  
6,3,,172142-74310,,NIPPLE,1,1,,,,,,,,,,,,,  
7,3,,172141-74400,,PLATE,2,2,,,,,,,,,,,,,  
8,3,,172141-74410,,BOLT,2,2,,,,,,,,,,,,,  
9,3,,172141-74420,,BOLT,2,2,,,,,,,,,,,,,  
10,3,,172141-74430,,O-RING,1,1,,,,,,,,,,,,,  
11,3,,172141-74440,,RING,1,1,,,,,,,,,,,,,  
12,3,,172141-74450,,RING,1,1,,,,,,,,,,,,,  
13,3,,172141-74460,,RING,1,1,,,,,,,,,,,,,  
14,3,,172141-74470,,GASKET,2,2,,,,,,,,,,,,,  
15,3,,172141-74480,,SHIM,4,4,,,,,,,,,,,,,  
16,3,,172141-74520,,SPRING,1,1,,,,,,,,,,,,,  
17,3,,172143-74200,,PLUNGER,1,1,,,,,,,,,,,,,  
20,3,,172141-74570,,PLUG,1,1,,,,,,,,,,,,,  
21,3,,172141-74580,,O-RING,1,1,,,,,,,,,,,,,  
22,3,,172141-74590,,O-RING,1,1,,,,,,,,,,,,,  
23,3,,172141-74600,, "RING, BACK UP",1,1,,,,,,,,,,,,,  
24,3,,172143-74210,,RETAINER,1,1,,,,,,,,,,,,,  
25,3,,172141-74620,, "VALVE, ANTI-CAVITATI.",1,1,,,,,,,,,,,,,  
26,3,,172143-74220,,O-RING,1,1,,,,,,,,,,,,,  
27,2,,172143-74250,, "BODY ASSY, VALVE",1,1,,,,,,,,,,,,,  
28,3,,172141-74350,,COVER,1,1,,,,,,,,,,,,,  
29,3,,172141-74360,, "SEAT, SPRING",1,1,,,,,,,,,,,,,  
30,3,,172141-74370,, "SEAT, SPRING",2,2,,,,,,,,,,,,,  
31,3,,172141-74390,,PLUG,1,1,,,,,,,,,,,,,  
32,3,,172141-74400,,PLATE,2,2,,,,,,,,,,,,,  
33,3,,172141-74410,,BOLT,2,2,,,,,,,,,,,,,  
34,3,,172141-74420,,BOLT,2,2,,,,,,,,,,,,,  
35,3,,172141-74430,,O-RING,1,1,,,,,,,,,,,,,  
36,3,,172141-74440,,RING,1,1,,,,,,,,,,,,,  
37,3,,172141-74450,,RING,1,1,,,,,,,,,,,,,  
38,3,,172141-74460,,RING,1,1,,,,,,,,,,,,,  
39,3,,172141-74470,,GASKET,2,2,,,,,,,,,,,,,  
40,3,,172141-74480,,SHIM,4,4,,,,,,,,,,,,,  
42,3,,172141-74380,,SPRING,1,1,,,,,,,,,,,,,  
43,3,,172141-74520,,SPRING,1,1,,,,,,,,,,,,,  
44,3,,172141-74530,,PLANGER,1,1,,,,,,,,,,,,,  
45,3,,172141-74540,, "VALVE 190/22, RELIEF",1,1,,,,,,,,,,,,,  
47,3,,172141-74570,,PLUG,1,1,,,,,,,,,,,,,  
48,3,,172141-74580,,O-RING,1,1,,,,,,,,,,,,,  
49,3,,172141-74590,,O-RING,1,1,,,,,,,,,,,,,  
50,3,,172141-74600,, "RING, BACK UP",1,1,,,,,,,,,,,,,

# Fig. 54 コントロールバルブ(スイング&ブーム) CONTROL VALVE (SWING & BOOM)

COUNTRY	U	K	A	S	E	X
Fig. No.	54	55	55	55	55	55



コントロールバルブ ASSY  
 CONTROL VALVE ASSY  
 (172143-74100)  
 Fig. 50 Ref. No. 1  
 INC Fig. 50 Ref. No. 2-35  
 Fig. 52 Ref. No. 1-44  
 Fig. 54 Ref. No. 1-50  
 Fig. 56 Ref. No. 1-17  
 Fig. 57 Ref. No. 1-30

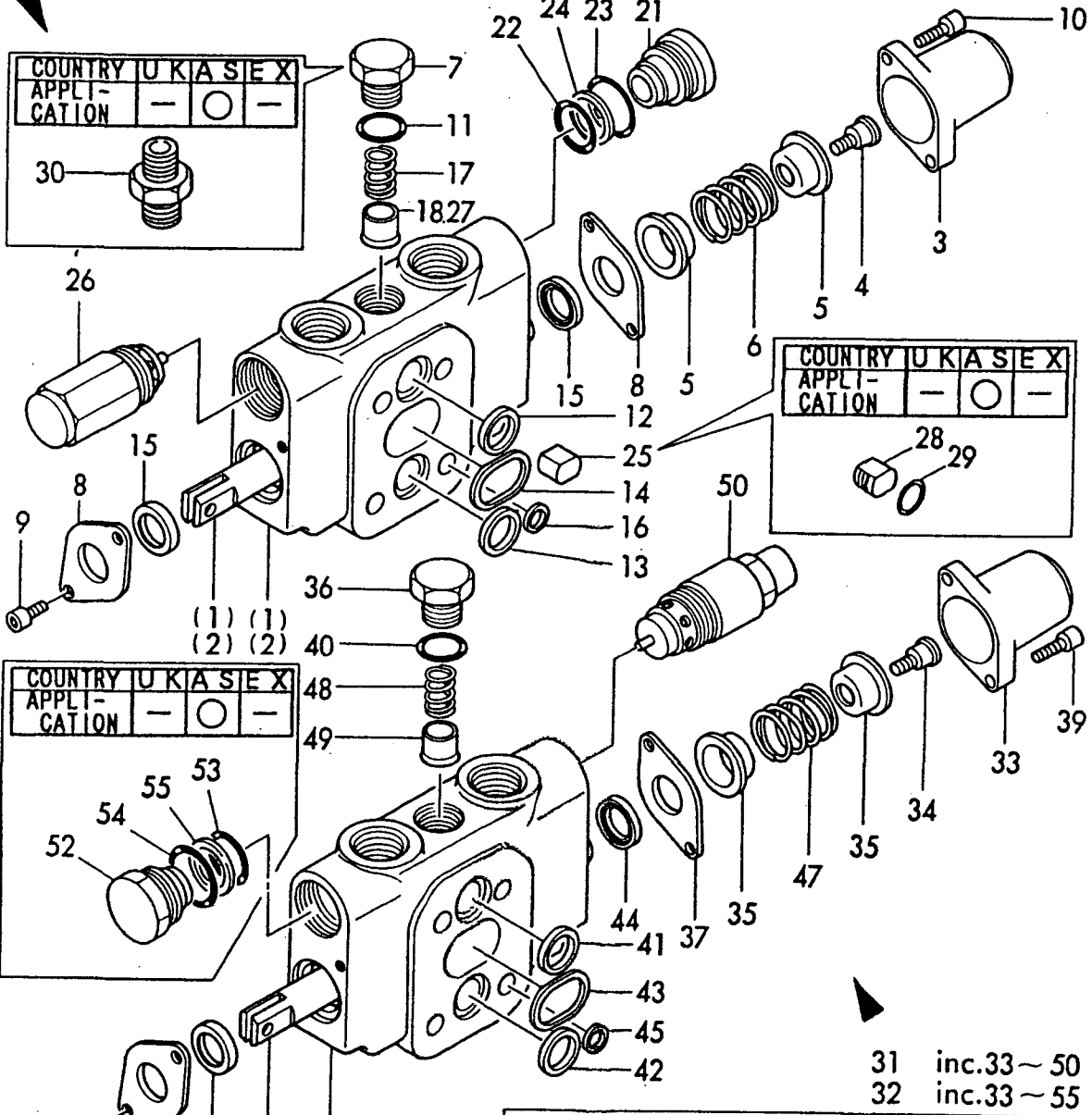


1,2,,172141-74170,, "BODY ASSY",1,1,,,,,,,,,,,,,  
2,2,,172141-74180,, "BODY ASSY",1,1,,,,,1,,,,,,,,,  
3,3,,172141-74350,, COVER,1,1,,,,,,,,,,,,,  
4,3,,172141-74360,, "SEAT, SPRING",1,1,,,,,,,,,,,,,  
5,3,,172141-74370,, "SEAT, SPRING",2,2,,,,,,,,,,,,,  
6,3,,172141-74380,, SPRING,1,1,,,,,,,,,,,,,  
7,3,,172141-74390,, PLUG,1,1,,,,,,,,,,,,,  
8,3,,172141-74400,, PLATE,2,2,,,,,,,,,,,,,  
9,3,,172141-74410,, BOLT,2,2,,,,,,,,,,,,,  
10,3,,172141-74420,, BOLT,2,2,,,,,,,,,,,,,  
11,3,,172141-74430,, O-RING,1,1,,,,,,,,,,,,,  
12,3,,172141-74440,, RING,1,1,,,,,,,,,,,,,  
13,3,,172141-74450,, RING,1,1,,,,,,,,,,,,,  
14,3,,172141-74460,, RING,1,1,,,,,,,,,,,,,  
15,3,,172141-74470,, GASKET,2,2,,,,,,,,,,,,,  
16,3,,172141-74480,, SHIM,4,4,,,,,,,,,,,,,  
17,3,,172141-74520,, SPRING,1,1,,,,,,,,,,,,,  
18,3,,172141-74530,, PLANGER,1,1,,,,,,,,,,,,,  
21,3,,172141-74570,, PLUG,1,1,,,,,,,,,,,,,  
22,3,,172141-74580,, O-RING,1,1,,,,,,,,,,,,,  
23,3,,172141-74590,, O-RING,1,1,,,,,,,,,,,,,  
24,3,,172141-74600,, "RING, BACK UP",1,1,,,,,,,,,,,,,  
25,3,,172141-74610,, BUSH,1,1,,,,,,,,,,,,,  
26,3,,172141-74620,, "VALVE, ANTI-CAVITATI.",1,1,,,,,,,,,,,,,  
27,3,,172143-74200,, PLUNGER,1,1,,,,,1,,,,,,,,,  
28,3,,172143-74210,, RETAINER,1,1,,,,,1,,,,,,,,,  
29,3,,172143-74220,, O-RING,1,1,,,,,1,,,,,,,,,  
30,3,,172142-74310,, NIPPLE,1,1,,,,,1,,,,,,,,,  
31,2,,172141-74180,, "BODY ASSY",1,1,,,,,,,,,,,,,  
32,2,,172141-74030,, "BODY BOOM, 3RD",1,1,,,,,1,,,,,,,,,  
33,3,,172141-74350,, COVER,1,1,,,,,,,,,,,,,  
34,3,,172141-74360,, "SEAT, SPRING",1,1,,,,,,,,,,,,,  
35,3,,172141-74370,, "SEAT, SPRING",2,2,,,,,,,,,,,,,  
36,3,,172141-74390,, PLUG,1,1,,,,,,,,,,,,,  
37,3,,172141-74400,, PLATE,2,2,,,,,,,,,,,,,  
38,3,,172141-74410,, BOLT,2,2,,,,,,,,,,,,,  
39,3,,172141-74420,, BOLT,2,2,,,,,,,,,,,,,  
40,3,,172141-74430,, O-RING,1,1,,,,,,,,,,,,,  
41,3,,172141-74440,, RING,1,1,,,,,,,,,,,,,  
42,3,,172141-74450,, RING,1,1,,,,,,,,,,,,,  
43,3,,172141-74460,, RING,1,1,,,,,,,,,,,,,  
44,3,,172141-74470,, GASKET,2,2,,,,,,,,,,,,,  
45,3,,172141-74480,, SHIM,4,4,,,,,,,,,,,,,  
47,3,,172141-74510,, SPRING,1,1,,,,,,,,,,,,,  
48,3,,172141-74520,, SPRING,1,1,,,,,,,,,,,,,  
49,3,,172141-74530,, PLANGER,1,1,,,,,,,,,,,,,  
50,3,,172141-74540,, "VALVE 190/22, RELIEF",1,1,,,,,,,,,,,,,  
52,3,,172141-74570,, PLUG,1,1,,,,,1,,,,,,,,,  
53,3,,172141-74580,, O-RING,1,1,,,,,1,,,,,,,,,  
54,3,,172141-74590,, O-RING,1,1,,,,,1,,,,,,,,,  
55,3,,172141-74600,, "RING, BACK UP",1,1,,,,,1,,,,,,,,,

# Fig. 55 コントロールバルブ(スイング&ブーム) CONTROL VALVE (SWING & BOOM)

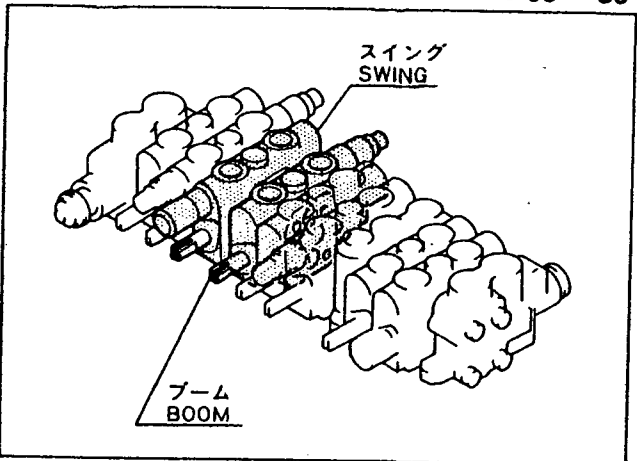
COUNTRY	U	K	A	S	E	X
Fig. No.	54	55	55			

1 inc.3~26  
2 inc.3~30



31 inc.33~50  
32 inc.33~55

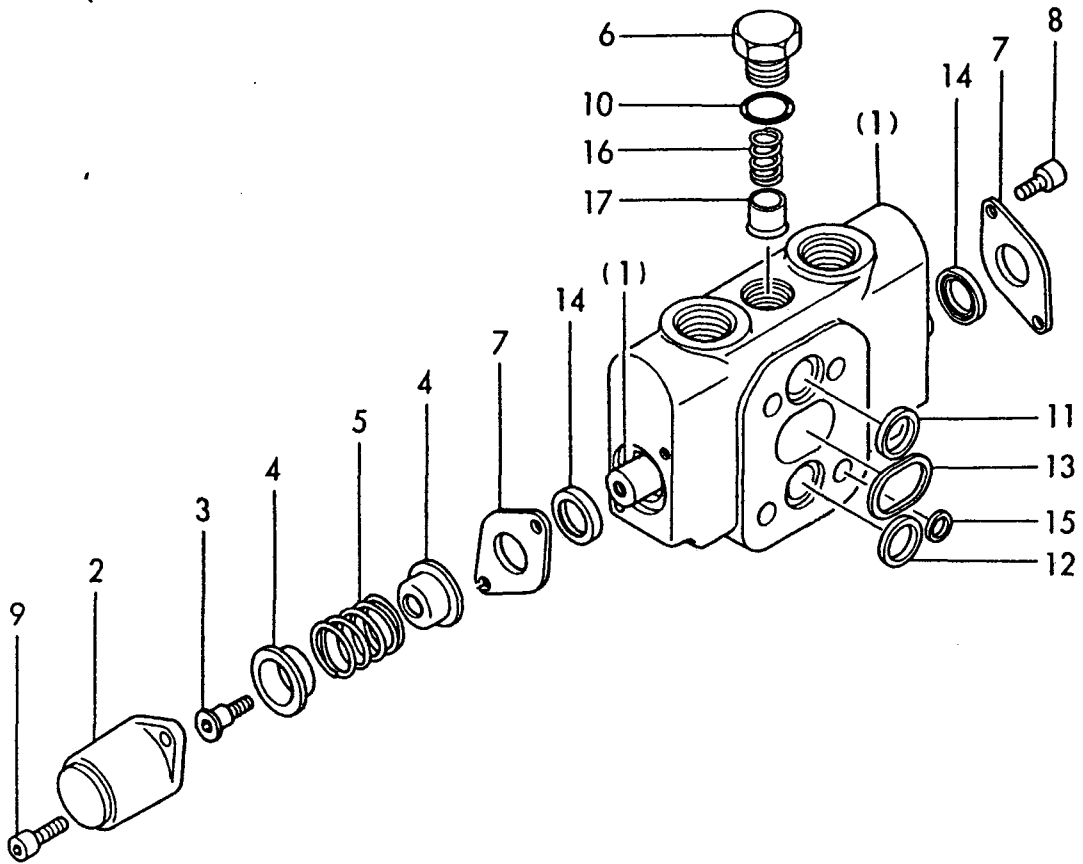
コントロールバルブ ASSY  
CONTROL VALVE ASSY  
(172141-74100)  
Fig. 51 Ref. No. 1  
INC Fig. 51 Ref. No. 3-37  
Fig. 53 Ref. No. 1-41  
Fig. 55 Ref. No. 1-50  
Fig. 56 Ref. No. 1-17  
Fig. 57 Ref. No. 1-32  
(172141-74110)  
Fig. 51 Ref. No. 2  
INC Fig. 51 Ref. No. 3-37  
Fig. 53 Ref. No. 2-46  
Fig. 55 Ref. No. 2-55  
Fig. 56 Ref. No. 1-17  
Fig. 57 Ref. No. 1-30



1,2,,172141-74220,, "BODY ASSY",1,1,,,,,,,,,,,,,  
2,3,,172141-74350,,COVER,1,1,,,,,,,,,,,,,  
3,3,,172141-74360,, "SEAT, SPRING",1,1,,,,,,,,,,,,,  
4,3,,172141-74370,, "SEAT, SPRING",2,2,,,,,,,,,,,,,  
5,3,,172141-74380,,SPRING,1,1,,,,,,,,,,,,,  
6,3,,172141-74390,,PLUG,1,1,,,,,,,,,,,,,  
7,3,,172141-74400,,PLATE,2,2,,,,,,,,,,,,,  
8,3,,172141-74410,,BOLT,2,2,,,,,,,,,,,,,  
9,3,,172141-74420,,BOLT,2,2,,,,,,,,,,,,,  
10,3,,172141-74430,,O-RING,1,1,,,,,,,,,,,,,  
11,3,,172141-74440,,RING,1,1,,,,,,,,,,,,,  
12,3,,172141-74450,,RING,1,1,,,,,,,,,,,,,  
13,3,,172141-74460,,RING,1,1,,,,,,,,,,,,,  
14,3,,172141-74470,,GASKET,2,2,,,,,,,,,,,,,  
15,3,,172141-74480,,SHIM,4,4,,,,,,,,,,,,,  
16,3,,172141-74520,,SPRING,1,1,,,,,,,,,,,,,  
17,3,,172141-74530,,PLANGER,1,1,,,,,,,,,,,,,

# Fig. 56 コントロールバルブ(ブレード) CONTROL VALVE (BLADE)

1 inc.2~17



コントロールバルブ ASSY  
CONTROL VALVE ASSY  
(172143-74100)

Fig. 50 Ref. No. 1

INC Fig. 50 Ref. No. 2-35

Fig. 52 Ref. No. 1-44

Fig. 54 Ref. No. 1-50

Fig. 56 Ref. No. 1-17

Fig. 57 Ref. No. 1-30

(172141-74100)

Fig. 51 Ref. No. 1

INC Fig. 51 Ref. No. 3-37

Fig. 53 Ref. No. 1-41

Fig. 55 Ref. No. 1-50

Fig. 56 Ref. No. 1-17

Fig. 57 Ref. No. 1-32

(172141-74110)

Fig. 51 Ref. No. 2

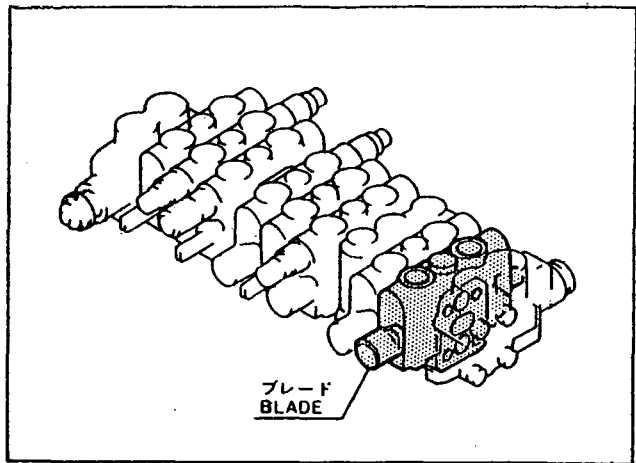
INC Fig. 51 Ref. No. 3-37

Fig. 53 Ref. No. 2-46

Fig. 55 Ref. No. 2-55

Fig. 56 Ref. No. 1-17

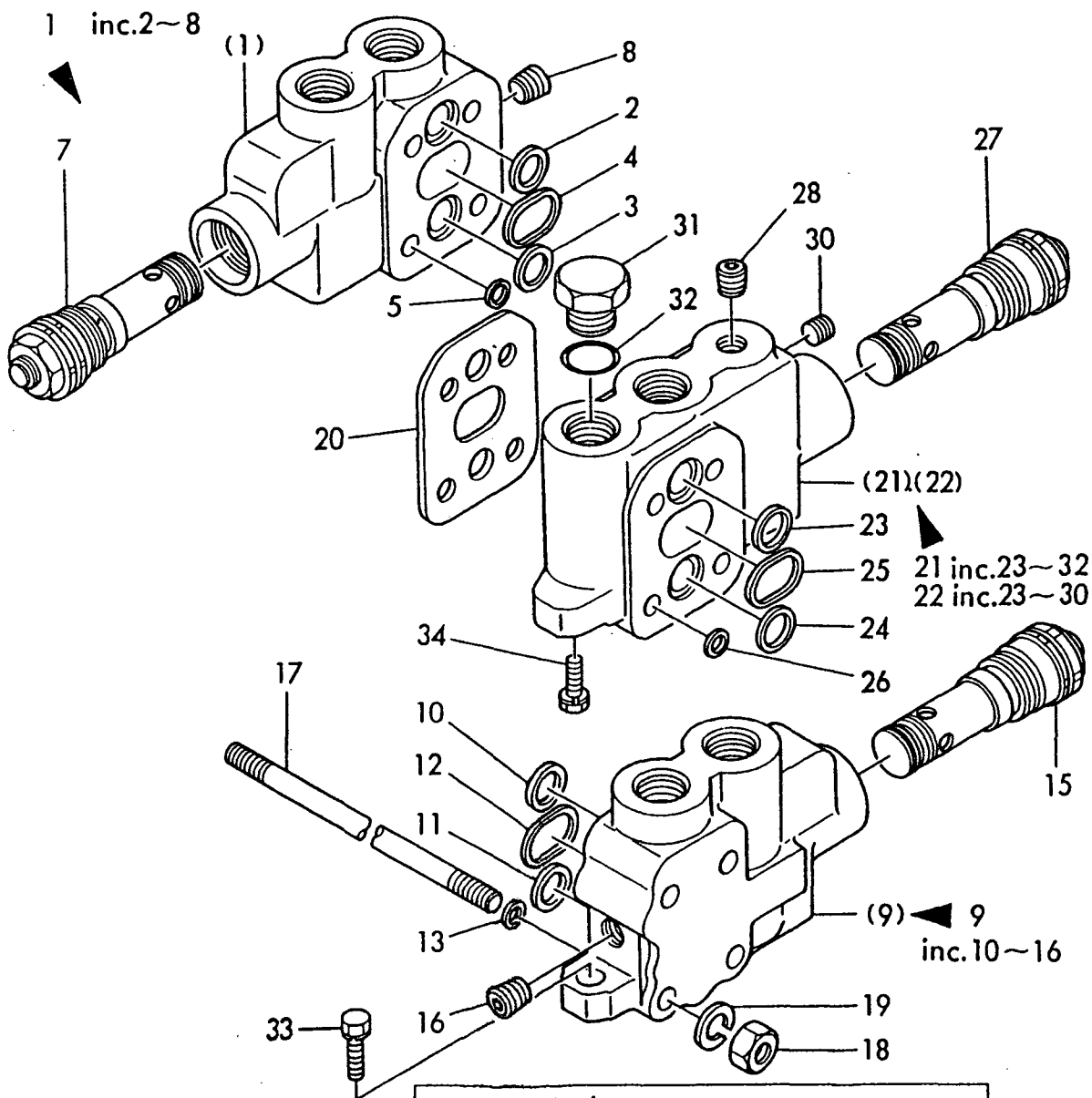
Fig. 57 Ref. No. 1-30



1,2,,172141-74230,, "COVER ASSY(PT)",1,1,,,,,,,,,,,,,  
2,3,,172141-74440,, RING,1,1,,,,,,,,,,,,,  
3,3,,172141-74450,, RING,1,1,,,,,,,,,,,,,  
4,3,,172141-74460,, RING,1,1,,,,,,,,,,,,,  
5,3,,172141-74480,, SHIM,4,4,,,,,,,,,,,,,  
7,3,,172141-74690,, "VALVE 175/22, RELIEF",1,1,,,,,,,,,,,,,  
8,3,,172141-74750,, PLUG,1,1,,,,,,,,,,,,,  
9,2,,172141-74240,, "COVER ASSY(PT)",1,1,,,,,,,,,,,,,  
10,3,,172141-74440,, RING,1,1,,,,,,,,,,,,,  
11,3,,172141-74450,, RING,1,1,,,,,,,,,,,,,  
12,3,,172141-74460,, RING,1,1,,,,,,,,,,,,,  
13,3,,172141-74480,, SHIM,4,4,,,,,,,,,,,,,  
15,3,,172141-74740,, "VALVE 160/22, RELIEF",1,1,,,,,,,,,,,,,  
16,3,,172141-74750,, PLUG,1,1,,,,,,,,,,,,,  
17,2,,172141-74260,, STUD,4,4,,,,,,,,,,,,,  
18,2,,172141-74270,, "NUT, LOCK",8,8,,,,,,,,,,,,,  
19,2,,172141-74280,, "SPRING WASHER",8,8,,,,,,,,,,,,,  
20,2,,172141-74290,, PLATE,1,1,,,,,,,,,,,,,  
21,2,,172141-74300,, "COVER ASSY(PL)",1,1,,,,,,,,,,,,,  
22,2,,172143-74400,, "COVER ASSY(PL)",1,1,,,,,1,,,,,,,,,,,,,  
23,3,,172141-74440,, RING,1,1,,,,,,,,,,,,,  
24,3,,172141-74450,, RING,1,1,,,,,,,,,,,,,  
25,3,,172141-74460,, RING,1,1,,,,,,,,,,,,,  
26,3,,172141-74480,, SHIM,4,4,,,,,,,,,,,,,  
27,3,,172141-74690,, "VALVE 175/22, RELIEF",1,1,,,,,,,,,,,,,  
28,3,,172141-74750,, PLUG,1,1,,,,,,,,,,,,,  
30,3,,172141-74720,, PLUG,1,1,,,,,,,,,,,,,  
31,2,,172141-74310,, PLUG,1,1,,,,,2,,,,,,,,,,,,,  
32,2,,172141-74320,, O-RING,1,1,,,,,2,,,,,,,,,,,,,  
33,1,,26013-100202,, "BOLT M10X 20",2,2,,,,,,,,,,,,,  
34,1,,26013-100302,, "BOLT M10X 30",1,1,,,,,,,,,,,,,



Fig. 57 コントロールバルブ(P1、P2、P3)  
CONTROL VALVE (P1、P2、P3)



コントロールバルブ ASSY  
CONTROL VALVE ASSY  
(172143-74100)

Fig. 50 Ref. No. 1

INC Fig. 50 Ref. No. 2-35

Fig. 52 Ref. No. 1-44

Fig. 54 Ref. No. 1-50

Fig. 56 Ref. No. 1-17

Fig. 57 Ref. No. 1-30

(172141-74100)

Fig. 51 Ref. No. 1

INC Fig. 51 Ref. No. 3-37

Fig. 53 Ref. No. 1-41

Fig. 55 Ref. No. 1-50

Fig. 56 Ref. No. 1-17

Fig. 57 Ref. No. 1-32

(172141-74110)

Fig. 51 Ref. No. 2

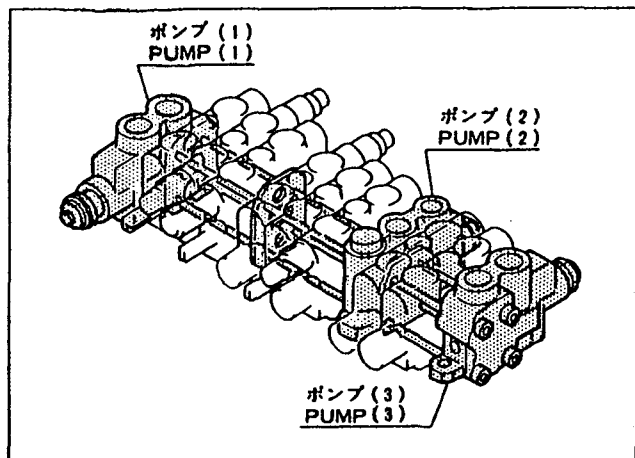
INC Fig. 51 Ref. No. 3-37

Fig. 53 Ref. No. 2-46

Fig. 55 Ref. No. 2-55

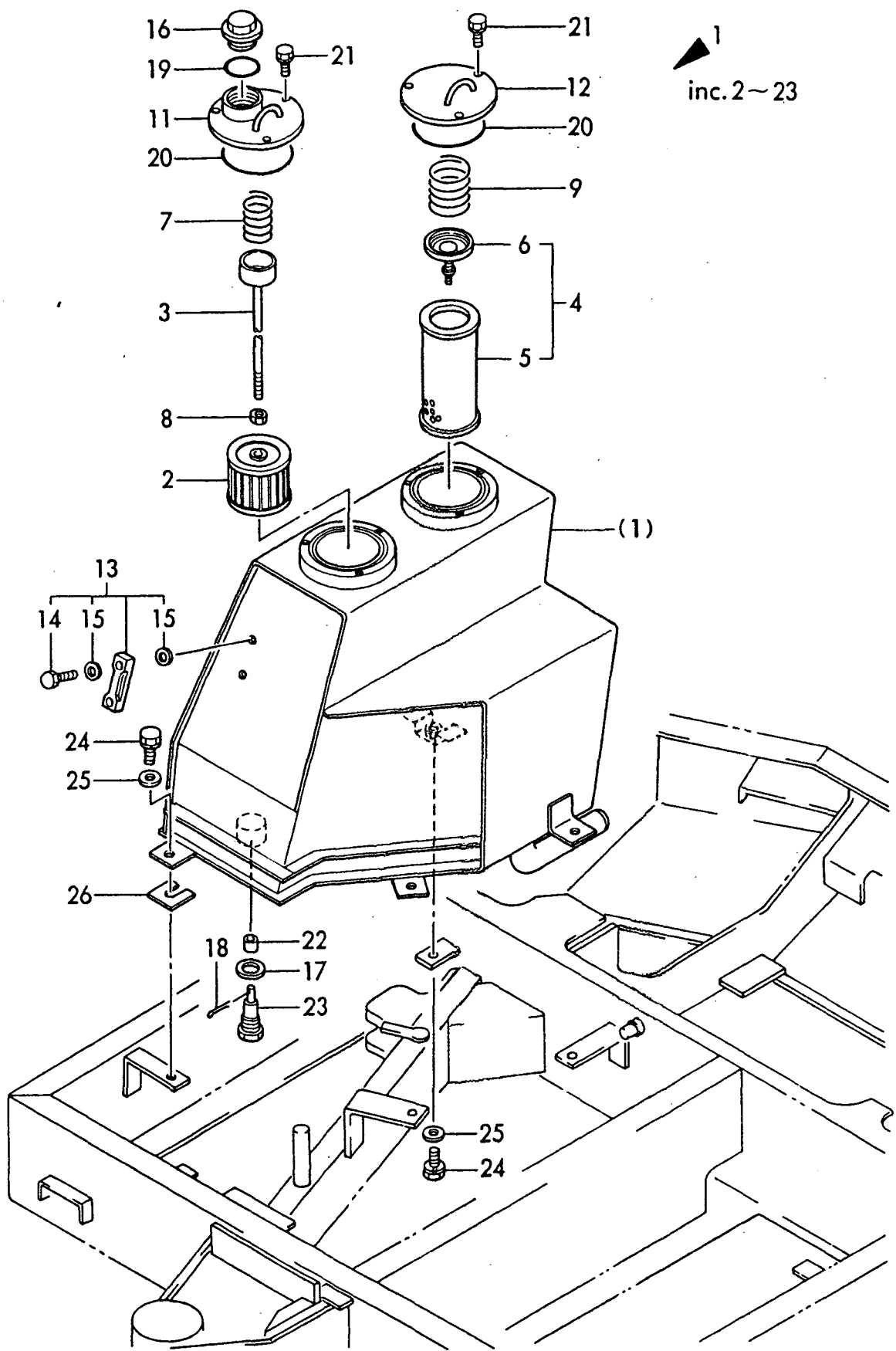
Fig. 56 Ref. No. 1-17

Fig. 57 Ref. No. 1-30



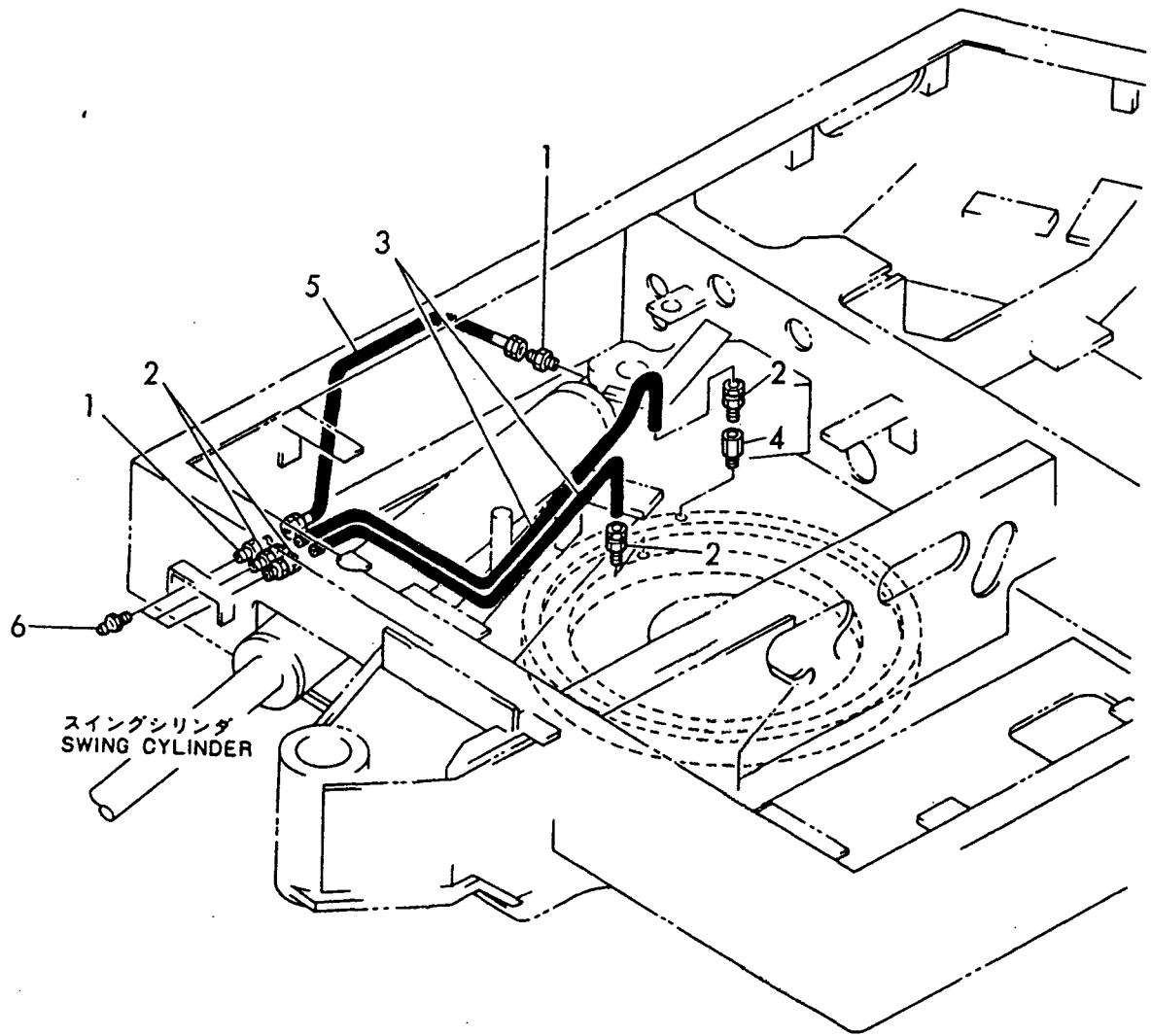
1,1,,772141-75100,, "RESERVER ASSY",1,1,,,,,,,,,,,,,  
2,2,,172137-73700,, "FILTER, SUCTION",1,1,,,,,,,,,,,,,  
3,2,,172141-73710,, "ROD, STRAINER",1,1,,,,,,,,,,,,,  
4,2,,172141-73750,, "FILTER ASSY, RETURN",1,1,,,,,,,,,,,,,  
5,3,,172141-73760,, ELEMENT,1,1,,,,,,,,,,,,,  
6,3,,172141-73770,, "VALVE ASSY, BYPASS",1,1,,,,,,,,,,,,,  
7,2,,172112-75780,, "SPRING, STRAINER",1,1,,,,,,,,,,,,,  
8,2,,26716-100002,, "NUT M10",1,1,,,,,,,,,,,,,  
9,2,,933152-02710,, "SPRING, SIDE CLUTCH",1,1,,,,,,,,,,,,,  
11,2,,172141-75400,, "COVER, EXIT",1,1,,,,,,,,,,,,,  
12,2,,172141-75430,, "COVER, INTAKE",1,1,,,,,,,,,,,,,  
13,2,,172122-75600,, "GAUGE, OIL LEVEL",1,1,,,,,,,,,,,,,  
14,2,,172122-75620,, BOLT,2,2,,,,,,,,,,,,,  
15,2,,172122-75630,, GASKET,4,4,,,,,,,,,,,,,  
16,2,,172116-75850,, "PLUG, OIL FEED",1,1,,,,,,,,,,,,,  
17,2,,22134-240000,, "WASHER 24",1,1,,,,,,,,,,,,,  
18,2,,22417-200160,, "COTTER PIN 2.0X16",1,1,,,,,,,,,,,,,  
19,2,,24311-000380,, "O-RING 1A P-38.0",1,1,,,,,,,,,,,,,  
20,2,,24321-001050,, "O-RING 1A G-105.0",2,2,,,,,,,,,,,,,  
21,2,,26013-080202,, "BOLT M 8X 20",6,6,,,,,,,,,,,,,  
22,2,,933171-23042,, MAGNET,1,1,,,,,,,,,,,,,  
23,2,,933171-23062,, "PLUG 24, DRAIN",1,1,,,,,,,,,,,,,  
24,1,,26013-120302,, "BOLT M12X 30",4,4,,,,,,,,,,,,,  
25,1,,933152-03700,, "WASHER, SIDE CLUTCH",4,4,,,,,,,,,,,,,  
26,1,,933169-22940,, "SPACER, RESERVOIR",1,1,,,,,,,,,,,,,

Fig. 58 サドウユタンク  
HYD. OIL TANK



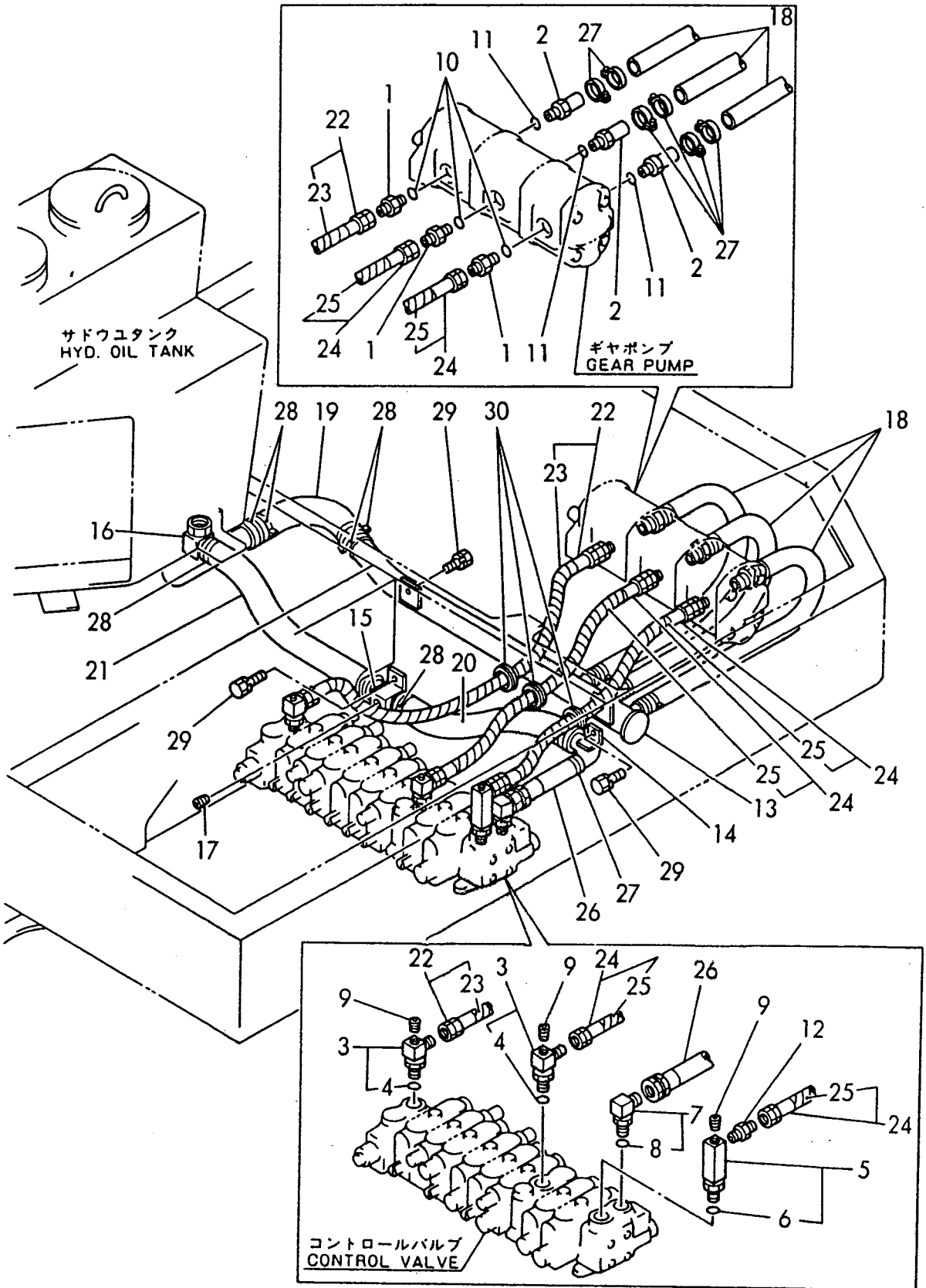
1,1,,172112-77580,, "JOINT 1/8",2,2,,,,,,,,,,,,,,,,,,,,,  
2,1,,172141-77800,, "JOINT, GREASE",4,4,,,,,,,,,,,,,,,,,,,,,  
3,1,,172141-77811,, "HOSE, GREASE",2,2,,,,,,,,,,,,,,,,,,,,,  
4,1,,172312-77820,, "FITTING, GREASE",1,1,,,,,,,,,,,,,,,,,,,,,  
5,1,,172135-78110,, HOSE,1,1,,,,,,,,,,,,,,,,,,,,,  
6,1,,24761-020000,, "NIPPLE PT1/8,GREASE",3,3,,,,,,,,,,,,,,,,,,,,,

Fig. 59 エンカクキューウシ  
GREASING



1,1,,172730-75140,,ADAPTOR,3,3,,,,,,,,,,,,,,,,,,,,,  
2,1,,172142-76100,,CONNECTOR,3,3,,,,,,,,,,,,,,,,,,,,,  
3,1,,172141-76110,,CONNECTOR,2,2,,,,,,,,,,,,,,,,,,,,,  
4,2,,933152-07400,, "O-RING (A)",2,2,,,,,,,,,,,,,,,,,,,,,  
5,1,,172141-76130,,CONNECTOR,1,1,,,,,,,,,,,,,,,,,,,,,  
6,2,,933152-07400,, "O-RING (A)",1,1,,,,,,,,,,,,,,,,,,,,,  
7,1,,172141-76260,, "CONNECTOR 12-14",1,1,,,,,,,,,,,,,,,,,,,,,  
8,2,,933160-03570,, "O-RING (B)",1,1,,,,,,,,,,,,,,,,,,,,,  
9,1,,23871-020000,, "PLUG PT 1/4",3,3,,,,,,,,,,,,,,,,,,,,,  
10,1,,24315-000140,, "O-RING 1B P-14.0",3,3,,,,,,,,,,,,,,,,,,,,,  
11,1,,24315-000240,, "O-RING 1B P-24.0",3,3,,,,,,,,,,,,,,,,,,,,,  
12,1,,933152-24410,, "CONNECTOR (A)",1,1,,,,,,,,,,,,,,,,,,,,,  
13,1,,172141-76400,, "PIPE, INTAKE",1,1,,,,,,,,,,,,,,,,,,,,,  
14,1,,172141-76440,, "JOINT, RETURN(A)",1,1,,,,,,,,,,,,,,,,,,,,,  
15,1,,172141-76470,, "JOINT, RETURN(B)",1,1,,,,,,,,,,,,,,,,,,,,,  
16,1,,172141-76490,, "JOINT, RETURN(C)",1,1,,,,,,,,,,,,,,,,,,,,,  
17,1,,23871-060000,, "PLUG PT 3/4",1,1,,,,,,,,,,,,,,,,,,,,,  
18,1,,172141-78090,, "HOSE(B), INTAKE",3,3,,,,,,,,,,,,,,,,,,,,,  
19,1,,172141-78100,, "HOSE(A), INTAKE",1,1,,,,,,,,,,,,,,,,,,,,,  
20,1,,172141-78120,,HOSE,1,1,,,,,,,,,,,,,,,,,,,,,  
21,1,,172141-78131,, "HOSE(A), RETURN",1,1,,,,,,,,,,,,,,,,,,,,,  
22,1,,172141-78200,,HOSE,1,1,,,,,,,,,,,,,,,,,,,,,  
23,2,,172141-78220,, "TUBE, SPIRAL",1,1,,,,,,,,,,,,,,,,,,,,,  
24,1,,172141-78230,,HOSE,2,2,,,,,,,,,,,,,,,,,,,,,  
25,2,,172141-78250,, "TUBE, SPIRAL",2,2,,,,,,,,,,,,,,,,,,,,,  
26,1,,172141-78510,,HOSE,1,1,,,,,,,,,,,,,,,,,,,,,  
27,1,,23000-035000,, "CLAMP 35",13,13,,,,,,,,,,,,,,,,,,,,,  
28,1,,23000-048000,, "CLAMP 48",8,8,,,,,,,,,,,,,,,,,,,,,  
29,1,,26013-100202,, "BOLT M10X 20",4,4,,,,,,,,,,,,,,,,,,,,,  
30,1,,933171-15680,, "GROMMET 40X13",3,3,,,,,,,,,,,,,,,,,,,,,

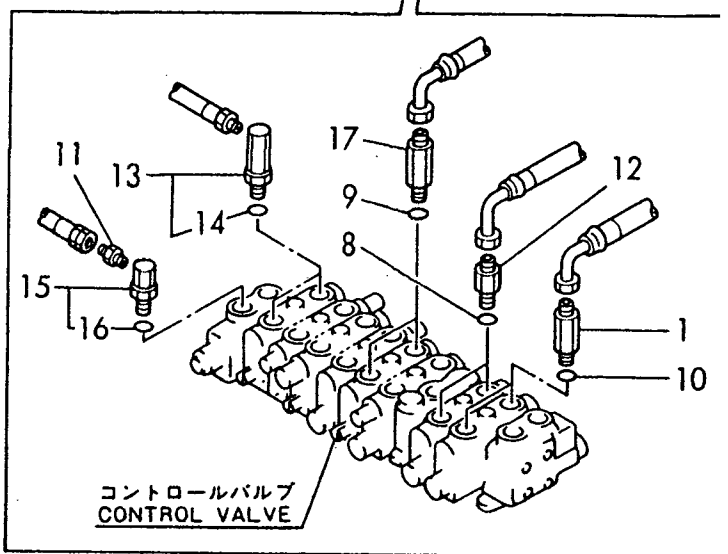
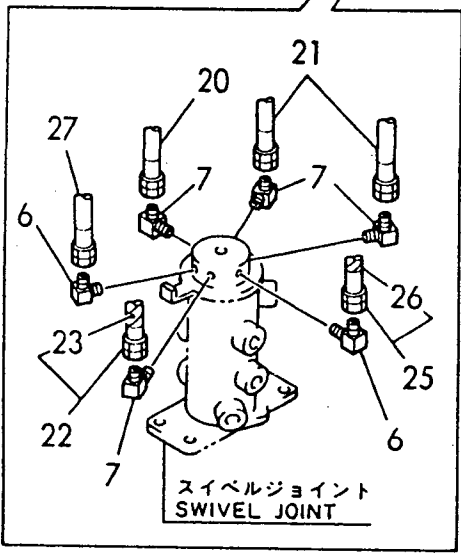
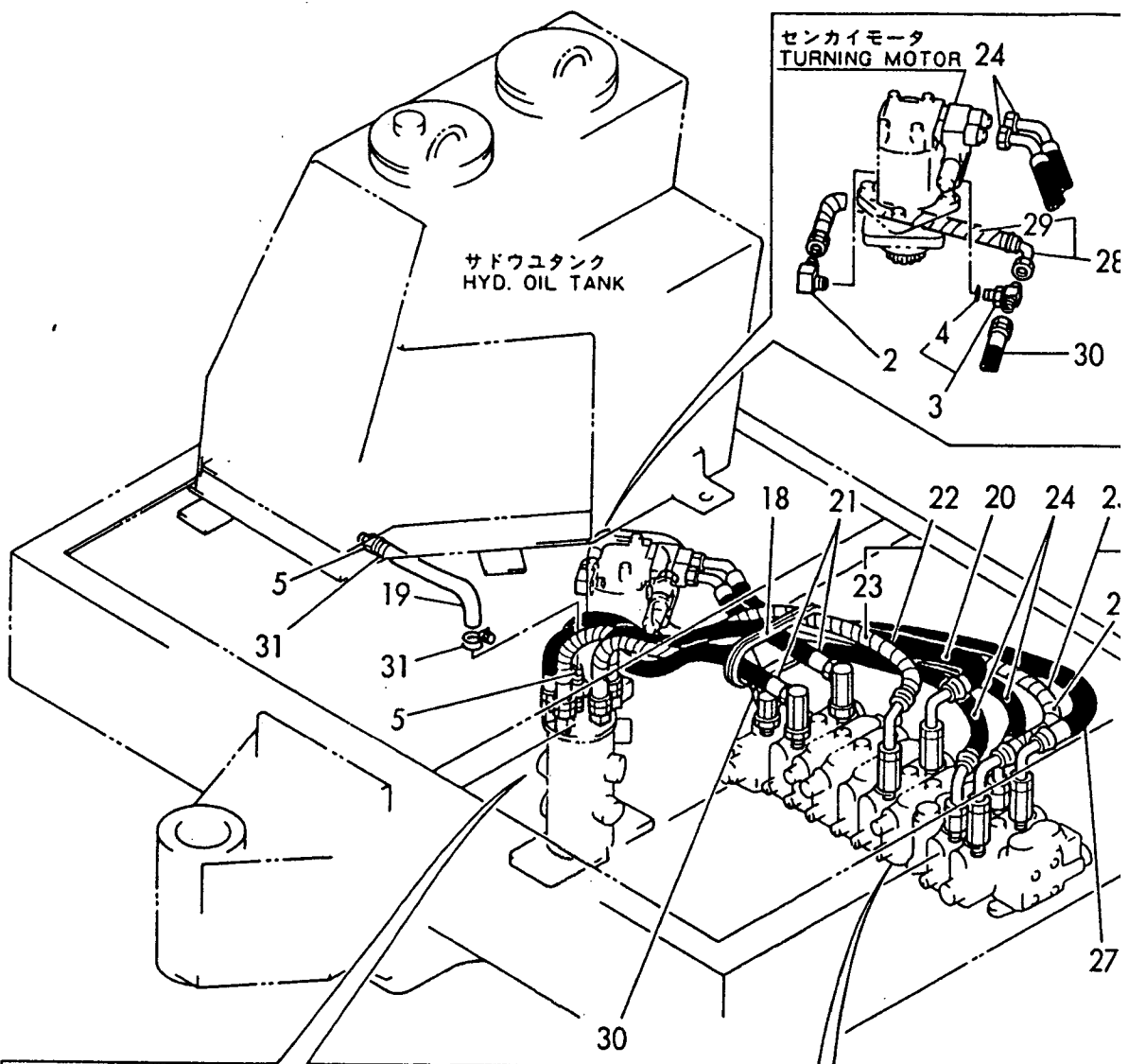
Fig. 60 ユアツハイカン(タンク-バルブ)  
 HYD. OIL PIPING ( TANK-VALVE )



1,1,,172124-76150,, "NIPPLE 3/4U-PF1/4",2,2,,,,,,,,,,,,,,,,,,,,,  
2,1,,23393-020000,, "JOINT 90RGI1/4",1,1,,,,,,,,,,,,,,,,,,,,,  
3,1,,172141-76200,,CONNECTOR,1,1,,,,,,,,,,,,,,,,,,,,,  
4,2,,24315-000110,, "O-RING 1B P-11.0",1,1,,,,,,,,,,,,,,,,,,,,,  
5,1,,172141-76220,,NIPPLE,2,2,,,,,,,,,,,,,,,,,,,,,  
6,1,,23393-020000,, "JOINT 90RGI1/4",2,2,,,,,,,,,,,,,,,,,,,,,  
7,1,,23393-030000,, "JOINT 90RGI 3/8",4,4,,,,,,,,,,,,,,,,,,,,,  
8,1,,933152-24120,, "O-RING (B)",2,2,,,,,,,,,,,,,,,,,,,,,  
9,1,,933152-24120,, "O-RING (B)",2,2,,,,,,,,,,,,,,,,,,,,,  
10,1,,933152-24120,, "O-RING (B)",2,2,,,,,,,,,,,,,,,,,,,,,  
11,1,,933152-24410,, "CONNECTOR (A)",1,1,,,,,,,,,,,,,,,,,,,,,  
12,1,,933155-08481,, "CONNECTOR (A)",2,2,,,,,,,,,,,,,,,,,,,,,  
13,1,,933169-24091,,CONNECTOR,2,2,,,,,,,,,,,,,,,,,,,,,  
14,2,,933152-24120,, "O-RING (B)",2,2,,,,,,,,,,,,,,,,,,,,,  
15,1,,933169-24281,,CONNECTOR,1,1,,,,,,,,,,,,,,,,,,,,,  
16,2,,933152-07400,, "O-RING (A)",1,1,,,,,,,,,,,,,,,,,,,,,  
17,1,,933171-24520,, "CONNECTOR 3/8-78",2,2,,,,,,,,,,,,,,,,,,,,,  
18,1,,172141-78040,, "BUSH 10140",1,1,,,,,,,,,,,,,,,,,,,,,  
19,1,,172141-78110,,HOSE,1,1,,,,,,,,,,,,,,,,,,,,,  
20,1,,172141-78190,,HOSE,1,1,,,,,,,,,,,,,,,,,,,,,  
21,1,,172141-78260,,HOSE,2,2,,,,,,,,,,,,,,,,,,,,,  
22,1,,172141-78330,,HOSE,1,1,,,,,,,,,,,,,,,,,,,,,  
23,2,,172141-78820,, "TUBE, SPIRAL",1,1,,,,,,,,,,,,,,,,,,,,,  
24,1,,172141-78340,,HOSE,2,2,,,,,,,,,,,,,,,,,,,,,  
25,1,,172141-78350,,HOSE,1,1,,,,,,,,,,,,,,,,,,,,,  
26,2,,172141-78840,, "TUBE, SPIRAL",1,1,,,,,,,,,,,,,,,,,,,,,  
27,1,,172141-78360,,HOSE,1,1,,,,,,,,,,,,,,,,,,,,,  
28,1,,172141-78500,,HOSE,1,1,,,,,,,,,,,,,,,,,,,,,  
29,2,,172141-78900,, "TUBE, SPIRAL",1,1,,,,,,,,,,,,,,,,,,,,,  
30,1,,172141-78530,,HOSE,1,1,,,,,,,,,,,,,,,,,,,,,  
31,1,,23010-014000,, "CLAMP 14",2,2,,,,,,,,,,,,,,,,,,,,,

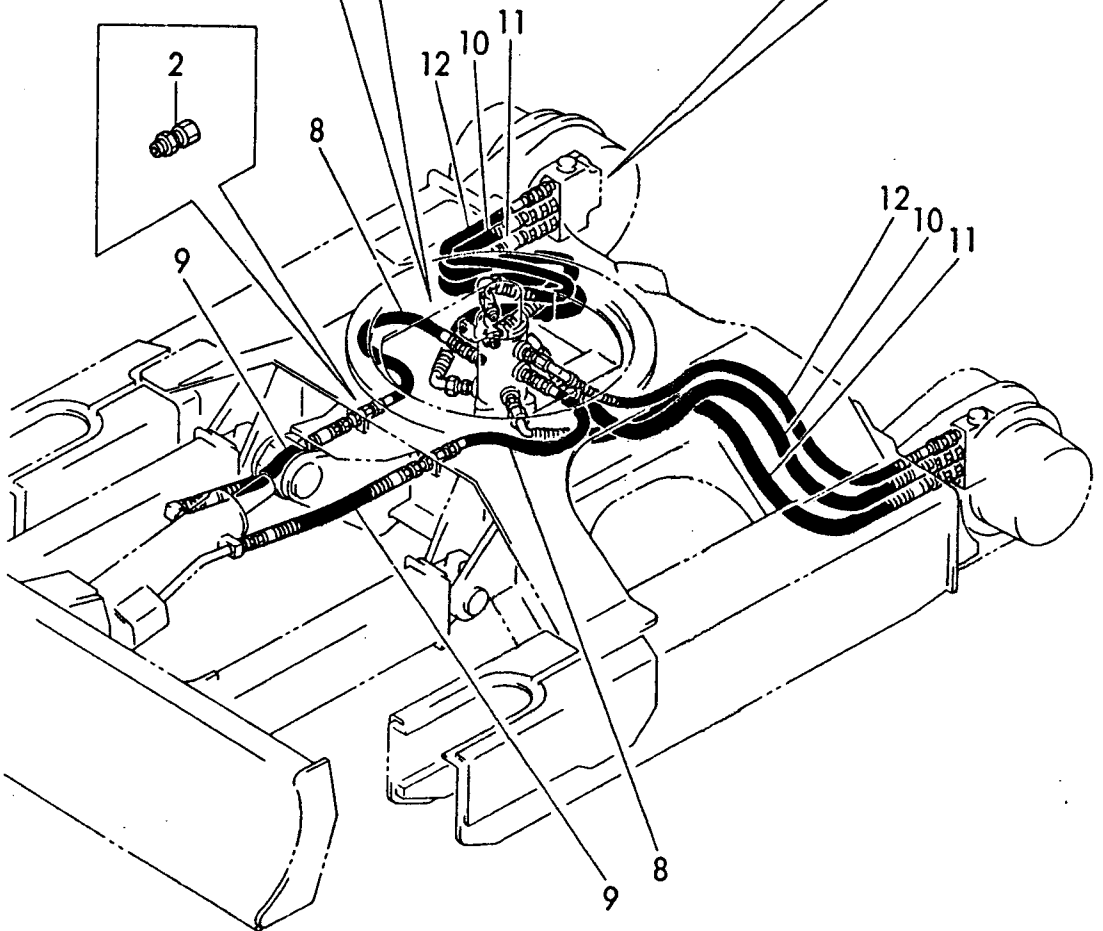
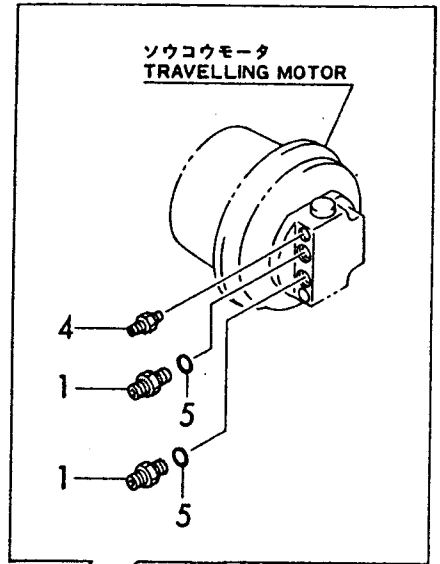
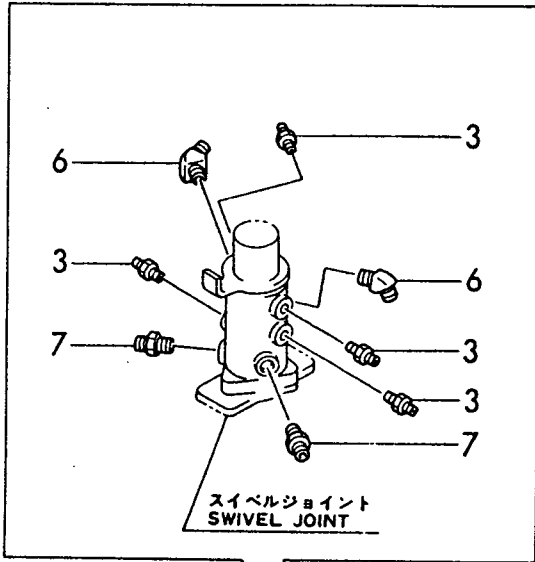


Fig. 61 ユアツハイカン(バルブ-スイベル、モータ)  
 HYD. OIL PIPING (VALVE-SWIVEL, MOTOR)



1,1,,172730-75140,,ADAPTOR,4,4,,,,,,,,,,,,,  
2,1,,172141-76230,,JOINT,2,2,,,,,,,,,,,,,  
3,1,,23391-020000,, "JOINT RGI1/4",4,4,,,,,,,,,,,,,  
4,1,,23391-020000,, "JOINT RGI1/4",2,2,,,,,,,,,,,,,  
5,1,,24315-000140,, "O-RING 1B P-14.0",4,4,,,,,,,,,,,,,  
6,1,,23394-030000,, "JOINT 45RGI 3/8",2,2,,,,,,,,,,,,,  
7,1,,933152-24410,, "CONNECTOR (A)",2,2,,,,,,,,,,,,,  
8,1,,172141-78450,,HOSE,2,2,,,,,,,,,,,,,  
9,1,,172141-78460,,HOSE,2,2,,,,,,,,,,,,,  
10,1,,172141-78470,,HOSE,2,2,,,,,,,,,,,,,  
11,1,,172141-78480,,HOSE,2,2,,,,,,,,,,,,,  
12,1,,172141-78490,,HOSE,2,2,,,,,,,,,,,,,

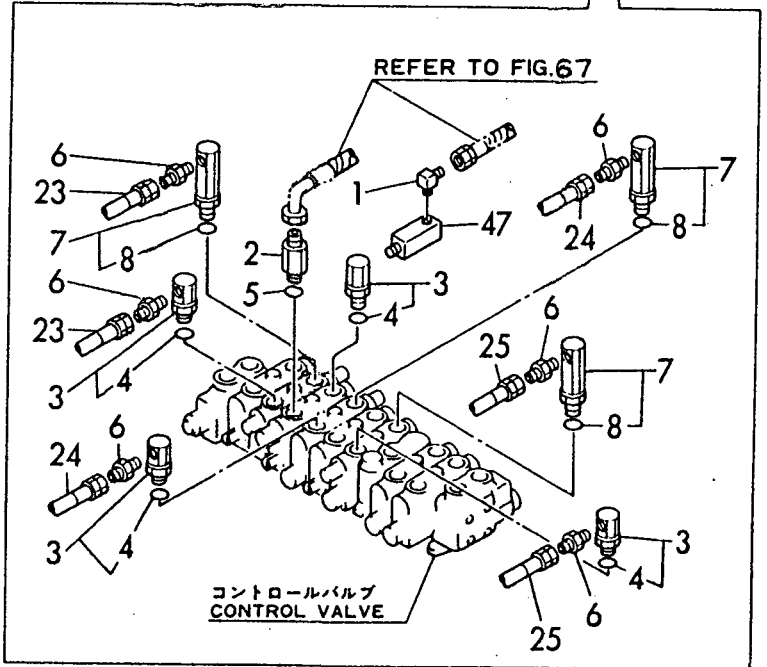
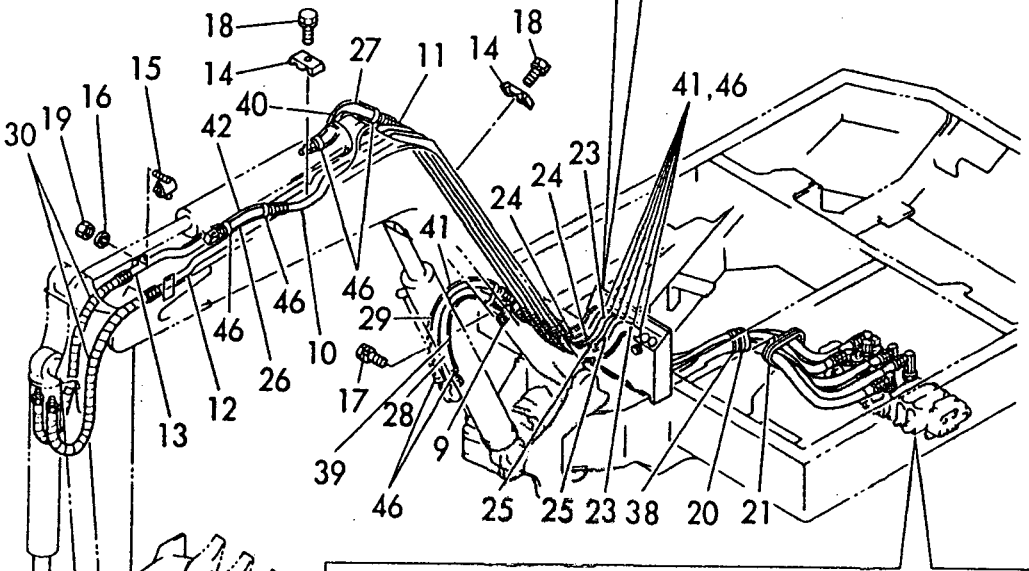
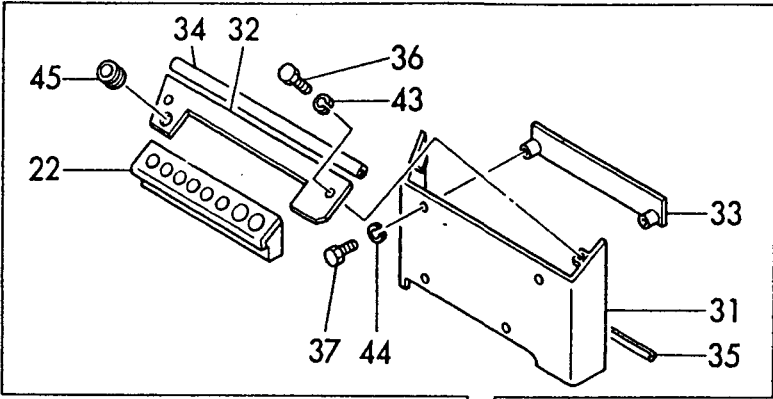
Fig. **62** ユアツハイカン(ソウコウ)  
 HYD. OIL PIPING (TRAVEL)



1,1,,172141-76990,, "BUSH 38-55, PIN",1,1,,,,,,,,,,,,,,,,,,,,,  
2,1,,172312-76220,, "CONNECTOR 1/4-3/4UN",1,1,,,,,,,,,,,,,,,,,,,,,  
3,1,,933152-24062,, "CONNECTOR (C)",4,4,,,,,,,,,,,,,,,,,,,,,  
4,2,,933152-24120,, "O-RING (B)",4,4,,,,,,,,,,,,,,,,,,,,,  
5,1,,933152-24120,, "O-RING (B)",1,1,,,,,,,,,,,,,,,,,,,,,  
6,1,,933152-24410,, "CONNECTOR (A)",6,6,,,,,,,,,,,,,,,,,,,,,  
7,1,,933169-24091,, CONNECTOR,3,3,,,,,,,,,,,,,,,,,,,,,  
8,2,,933152-24120,, "O-RING (B)",3,3,,,,,,,,,,,,,,,,,,,,,  
9,1,,172141-76501,, "JOINT, BOOM",1,1,,,,,,,,,,,,,,,,,,,,,  
10,1,,172141-76530,, "PIPE, ARM(L)",1,1,,,,,,,,,,,,,,,,,,,,,  
11,1,,172141-76570,, "PIPE, ARM(R)",1,1,,,,,,,,,,,,,,,,,,,,,  
12,1,,172141-76600,, "PIPE, BUCKET(L)",1,1,,,,,,,,,,,,,,,,,,,,,  
13,1,,172141-76630,, "PIPE, BUCKET(R)",1,1,,,,,,,,,,,,,,,,,,,,,  
14,1,,172141-76670,, "CLAMP, PIPE(A)",5,5,,,,,,,,,,,,,,,,,,,,,  
15,1,,172141-76680,, "CLAMP, PIPE(B)",2,2,,,,,,,,,,,,,,,,,,,,,  
16,1,,22217-080000,, "SPRING WASHER 8",4,4,,,,,,,,,,,,,,,,,,,,,  
17,1,,26013-100202,, "BOLT M10X 20",2,2,,,,,,,,,,,,,,,,,,,,,  
18,1,,26013-100352,, "BOLT M10X 35",5,5,,,,,,,,,,,,,,,,,,,,,  
19,1,,26716-080002,, "NUT M 8",4,4,,,,,,,,,,,,,,,,,,,,,  
20,1,,194250-51660,, "BAND 250",1,1,,,,,,,,,,,,,,,,,,,,,  
21,1,,172141-78030,, "BUSH 10265",2,2,,,,,,,,,,,,,,,,,,,,,  
22,1,,172141-78060,, CLAMP,1,1,,,,,,,,,,,,,,,,,,,,,  
23,1,,172141-78370,, HOSE,2,2,,,,,,,,,,,,,,,,,,,,,  
24,1,,172141-78380,, HOSE,2,2,,,,,,,,,,,,,,,,,,,,,  
25,1,,172141-78390,, HOSE,2,2,,,,,,,,,,,,,,,,,,,,,  
26,1,,172141-78400,, HOSE,1,1,,,,,,,,,,,,,,,,,,,,,  
27,1,,172141-78410,, HOSE,1,1,,,,,,,,,,,,,,,,,,,,,  
28,1,,172141-78420,, HOSE,1,1,,,,,,,,,,,,,,,,,,,,,  
29,1,,172141-78430,, HOSE,1,1,,,,,,,,,,,,,,,,,,,,,  
30,1,,172141-78440,, HOSE,2,2,,,,,,,,,,,,,,,,,,,,,  
31,1,,172141-78720,, SUPPORT,1,1,,,,,,,,,,,,,,,,,,,,,  
32,1,,172141-78750,, COVER,1,1,,,,,,,,,,,,,,,,,,,,,  
33,1,,172141-78760,, STAY,1,1,,,,,,,,,,,,,,,,,,,,,  
34,1,,172141-78790,, RUMMER,1,1,,,,,,,,,,,,,,,,,,,,,  
35,1,,172141-78690,, RUBBER,1,1,,,,,,,,,,,,,,,,,,,,,  
36,1,,26116-060162,, "BOLT M 6X 16 PLATED",2,2,,,,,,,,,,,,,,,,,,,,,  
37,1,,26116-100202,, "BOLT M10X 20 PLATED",4,4,,,,,,,,,,,,,,,,,,,,,  
38,1,,29321-405065,, "GROMMET 40X5.0",1,1,,,,,,,,,,,,,,,,,,,,,  
39,1,,172142-78760,, "COVER 16-650, HOSE",1,1,,,,,,,,,,,,,,,,,,,,,  
40,1,,172143-79800,, "COVER, HOSE",1,1,,,,,,,,,,,,,,,,,,,,,  
41,1,,172122-79880,, COVER,7,7,,,,,,,,,,,,,,,,,,,,,  
42,1,,172137-79970,, COVER,1,1,,,,,,,,,,,,,,,,,,,,,  
43,1,,22217-060000,, "SPRING WASHER 6",2,2,,,,,,,,,,,,,,,,,,,,,  
44,1,,22217-100000,, "SPRING WASHER 10",4,4,,,,,,,,,,,,,,,,,,,,,  
45,1,,933168-56000,, "GROMMET 17X19",1,1,,,,,,,,,,,,,,,,,,,,,  
46,1,,23000-025000,, "CLAMP 25",20,20,,,,,,,,,,,,,,,,,,,,,  
47,1,,172732-76160,, ELBOW,1,1,,,,,,,,,,,,,,,,,,,,,

Fig. **63** ユアツハイカン(サギョウキブ)  
 HYD. OIL PIPING (WORK EQUIPMENT)

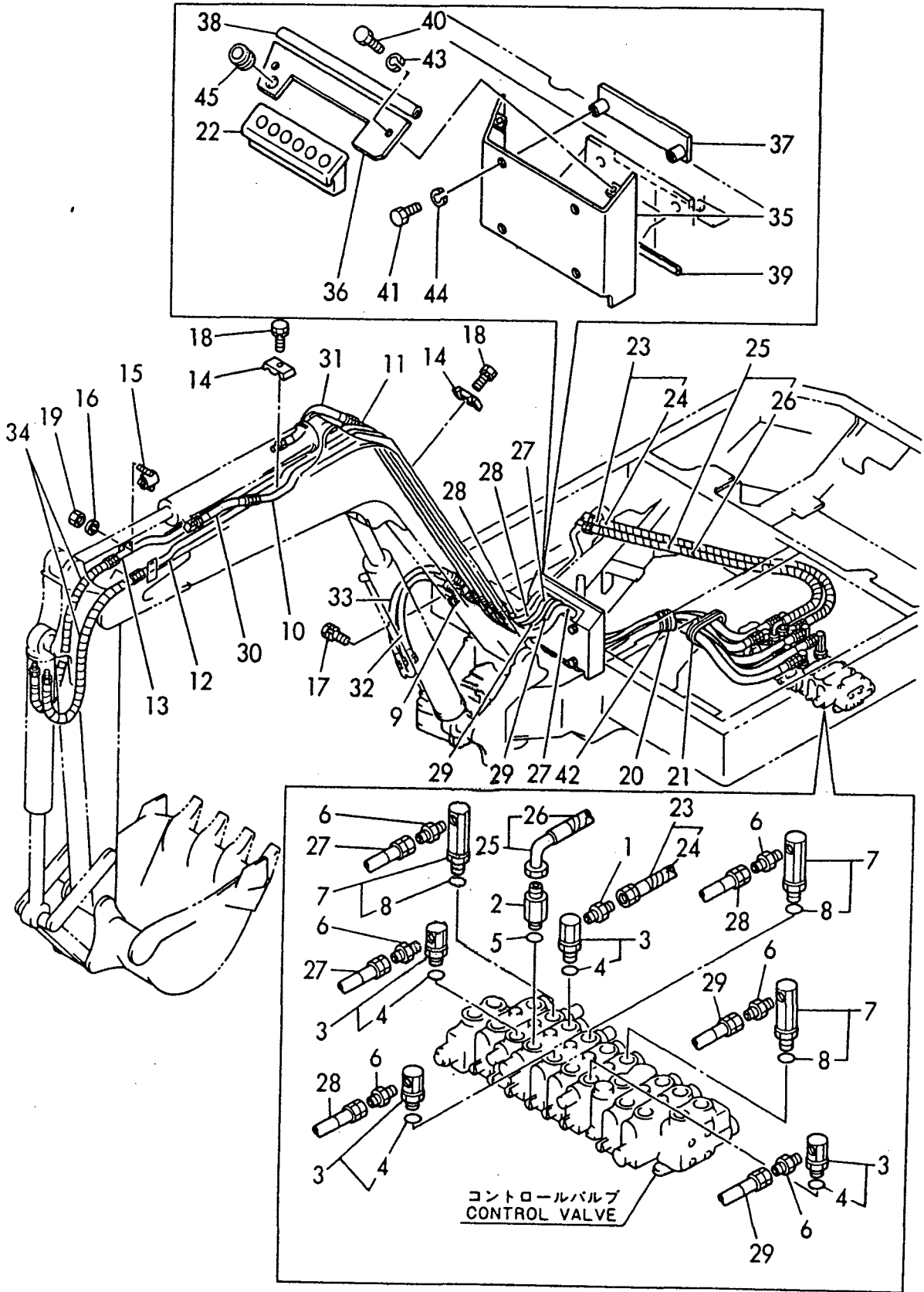
COUNTRY	U K	A S E X
Fig.No.	63	64 64



1,1,,172312-76190,, "NIPPLE 3/8X1/4",1,1,,,,,,,,,,,,,  
2,1,,172312-76220,, "CONNECTOR 1/4-3/4UN",1,1,,,,,,,,,,,,,  
3,1,,933152-24062,, "CONNECTOR (C)",4,4,,,,,,,,,,,,,  
4,2,,933152-24120,, "O-RING (B)",4,4,,,,,,,,,,,,,  
5,1,,933152-24120,, "O-RING (B)",1,1,,,,,,,,,,,,,  
6,1,,933152-24410,, "CONNECTOR (A)",6,6,,,,,,,,,,,,,  
7,1,,933169-24091,, "CONNECTOR",3,3,,,,,,,,,,,,,  
8,2,,933152-24120,, "O-RING (B)",3,3,,,,,,,,,,,,,  
9,1,,172141-76501,, "JOINT, BOOM",1,1,,,,,,,,,,,,,  
10,1,,172141-76530,, "PIPE, ARM(L)",1,1,,,,,,,,,,,,,  
11,1,,172141-76570,, "PIPE, ARM(R)",1,1,,,,,,,,,,,,,  
12,1,,172141-76600,, "PIPE, BUCKET(L)",1,1,,,,,,,,,,,,,  
13,1,,172141-76630,, "PIPE, BUCKET(R)",1,1,,,,,,,,,,,,,  
14,1,,172141-76670,, "CLAMP, PIPE(A)",5,5,,,,,,,,,,,,,  
15,1,,172141-76680,, "CLAMP, PIPE(B)",2,2,,,,,,,,,,,,,  
16,1,,22217-080000,, "SPRING WASHER 8",4,4,,,,,,,,,,,,,  
17,1,,26013-100202,, "BOLT M10X 20",2,2,,,,,,,,,,,,,  
18,1,,26013-100352,, "BOLT M10X 35",5,5,,,,,,,,,,,,,  
19,1,,26717-080002,, "NUT M 8",4,4,,,,,,,,,,,,,  
20,1,,194250-51660,, "BAND 250",1,1,,,,,,,,,,,,,  
21,1,,172141-78030,, "BUSH 10265",2,2,,,,,,,,,,,,,  
22,1,,172141-78050,, "CLAMP, HOSE",1,1,,,,,,,,,,,,,  
23,1,,172141-78270,, "HOSE",1,1,,,,,,,,,,,,,  
24,2,,172141-78290,, "TUBE, SPIRAL",1,1,,,,,,,,,,,,,  
25,1,,172141-78300,, "HOSE",1,1,,,,,,,,,,,,,  
26,2,,172141-78320,, "TUBE, SPIRAL",1,1,,,,,,,,,,,,,  
27,1,,172141-78370,, "HOSE",2,2,,,,,,,,,,,,,  
28,1,,172141-78380,, "HOSE",2,2,,,,,,,,,,,,,  
29,1,,172141-78390,, "HOSE",2,2,,,,,,,,,,,,,  
30,1,,172141-78400,, "HOSE",1,1,,,,,,,,,,,,,  
31,1,,172141-78410,, "HOSE",1,1,,,,,,,,,,,,,  
32,1,,172141-78420,, "HOSE",1,1,,,,,,,,,,,,,  
33,1,,172141-78430,, "HOSE",1,1,,,,,,,,,,,,,  
34,1,,172141-78440,, "HOSE",2,2,,,,,,,,,,,,,  
35,1,,172141-78600,, "SUPPORT, HOSE",1,1,,,,,,,,,,,,,  
36,1,,172141-78620,, "COVER, HOSE",1,1,,,,,,,,,,,,,  
37,1,,172141-78640,, "STAY, CLAMP",1,1,,,,,,,,,,,,,  
38,1,,172141-78680,, "RUBBER",1,1,,,,,,,,,,,,,  
39,1,,172141-78690,, "RUBBER",1,1,,,,,,,,,,,,,  
40,1,,26013-060162,, "BOLT M 6X 16",2,2,,,,,,,,,,,,,  
41,1,,26013-100202,, "BOLT M10X 20",4,4,,,,,,,,,,,,,  
42,1,,29321-405065,, "GROMMET 40X5.0",1,1,,,,,,,,,,,,,  
43,1,,22217-060000,, "SPRING WASHER 6",2,2,,,,,,,,,,,,,  
44,1,,22217-100000,, "SPRING WASHER 10",4,4,,,,,,,,,,,,,  
45,1,,933168-56000,, "GROMMET 17X19",1,1,,,,,,,,,,,,,

Fig. 64 ユアツハイカン (サギヨウキブ)  
 HYD. OIL PIPING (WORK EQUIPMENT)

COUNTRY	U	K	A	S	E	X
Fig. No.	63	64	64			

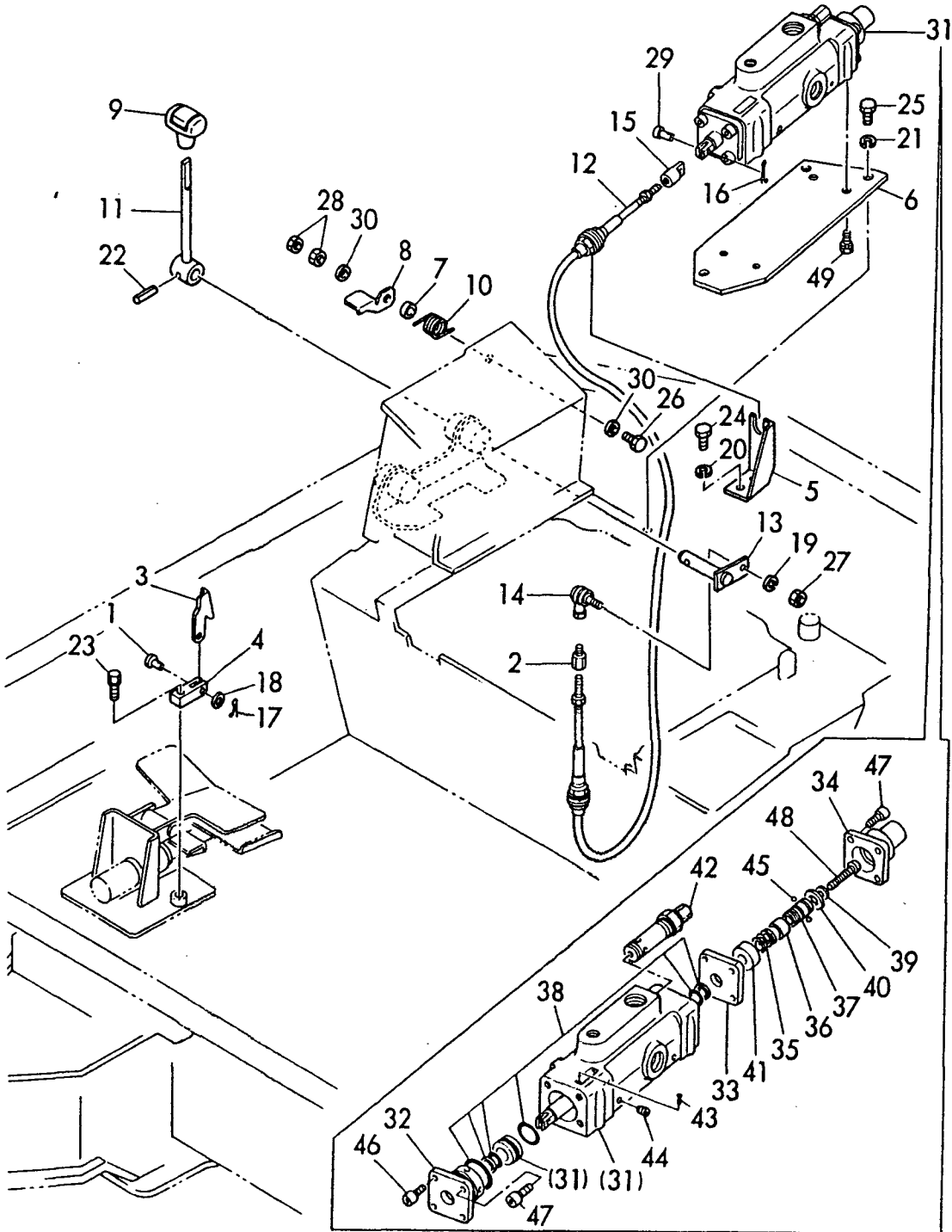


1,1,,172112-41960,, "PIN 8X25.5",1,1,,,,,,,,,,,,,,,,,,,,,  
2,1,,172141-42960,, "JOINT, CABLE",1,1,,,,,,,,,,,,,,,,,,,,,  
3,1,,172141-43150,, "HOOK, PEDAL",1,1,,,,,,,,,,,,,,,,,,,,,  
4,1,,172141-43160,, "BLACK, PEDAL LOCK",1,1,,,,,,,,,,,,,,,,,,,,,  
5,1,,172141-43200,, "BRACKET, CABLE",1,1,,,,,,,,,,,,,,,,,,,,,  
6,1,,172141-43210,, "BRACKET",1,1,,,,,,,,,,,,,,,,,,,,,  
7,1,,172141-43220,, "COLLAR",1,1,,,,,,,,,,,,,,,,,,,,,  
8,1,,172141-43230,, "LEVER, LOCK",1,1,,,,,,,,,,,,,,,,,,,,,  
9,1,,172116-45940,, "KNOB (C), LEVER",1,1,,,,,,,,,,,,,,,,,,,,,  
10,1,,1A1380-46061,, "SPRING, LEVER RETURN",1,1,,,,,,,,,,,,,,,,,,,,,  
11,1,,172143-46100,, "LEVER, 3RDV",1,1,,,,,,,,,,,,,,,,,,,,,  
12,1,,172143-46120,, "CABLE, 3RDV",1,1,,,,,,,,,,,,,,,,,,,,,  
13,1,,172143-46150,, "ARM, 3RDV",1,1,,,,,,,,,,,,,,,,,,,,,  
14,1,,172122-46590,, "ELBALL 8",1,1,,,,,,,,,,,,,,,,,,,,,  
15,1,,172116-46910,, "JOINT, SPOOL",1,1,,,,,,,,,,,,,,,,,,,,,  
16,1,,1C6281-52310,, "PIN 6, COME-OFF SNAP",1,1,,,,,,,,,,,,,,,,,,,,,  
17,1,,1C6281-52310,, "PIN 6, COME-OFF SNAP",1,1,,,,,,,,,,,,,,,,,,,,,  
18,1,,22137-080000,, "WASHER 8",1,1,,,,,,,,,,,,,,,,,,,,,  
19,1,,22217-080000,, "SPRING WASHER 8",1,1,,,,,,,,,,,,,,,,,,,,,  
20,1,,22217-100000,, "SPRING WASHER 10",2,2,,,,,,,,,,,,,,,,,,,,,  
21,1,,22217-100000,, "SPRING WASHER 10",3,3,,,,,,,,,,,,,,,,,,,,,  
22,1,,22351-050032,, "SPRING PIN 5X32",1,1,,,,,,,,,,,,,,,,,,,,,  
23,1,,26013-100402,, "BOLT M10X 40",1,1,,,,,,,,,,,,,,,,,,,,,  
24,1,,26116-100202,, "BOLT M10X 20 PLATED",2,2,,,,,,,,,,,,,,,,,,,,,  
25,1,,26116-100202,, "BOLT M10X 20 PLATED",3,3,,,,,,,,,,,,,,,,,,,,,  
26,1,,26116-100302,, "BOLT M10X 30 PLATED",1,1,,,,,,,,,,,,,,,,,,,,,  
27,1,,26716-080002,, "NUT M 8",1,1,,,,,,,,,,,,,,,,,,,,,  
28,1,,26757-100002,, "LOCK NUT M10 PLATED",2,2,,,,,,,,,,,,,,,,,,,,,  
29,1,,933110-54100,, "PIN 4.75X14",1,1,,,,,,,,,,,,,,,,,,,,,  
30,1,,22137-100000,, "WASHER 10",2,2,,,,,,,,,,,,,,,,,,,,,  
31,1,,172141-74700,, "VALVE ASSY, SELECTOR",1,1,,,,,,,,,,,,,,,,,,,,,  
32,2,,172141-74790,, "PLATE, ADAPTER",1,1,,,,,,,,,,,,,,,,,,,,,  
33,2,,172141-74820,, "PLATE",1,1,,,,,,,,,,,,,,,,,,,,,  
34,2,,172141-74830,, "COVER",1,1,,,,,,,,,,,,,,,,,,,,,  
35,2,,172141-74840,, "SPRING",1,1,,,,,,,,,,,,,,,,,,,,,  
36,2,,172141-74850,, "RETAINER, BALL",1,1,,,,,,,,,,,,,,,,,,,,,  
37,2,,172141-74860,, "SLEEVE, DETENT",1,1,,,,,,,,,,,,,,,,,,,,,  
38,2,,172141-74870,, "SEAL KIT",1,1,,,,,,,,,,,,,,,,,,,,,  
39,2,,172141-74890,, "WASHER",1,1,,,,,,,,,,,,,,,,,,,,,  
40,2,,172141-74900,, "GUIDE",1,1,,,,,,,,,,,,,,,,,,,,,  
41,2,,172141-74910,, "SPACER",1,1,,,,,,,,,,,,,,,,,,,,,  
42,2,,172141-74920,, "VALVE, RELIEF",1,1,,,,,,,,,,,,,,,,,,,,,  
43,2,,172141-74930,, "STUD",2,2,,,,,,,,,,,,,,,,,,,,,  
44,2,,172141-74950,, "PLUG 1/16",3,3,,,,,,,,,,,,,,,,,,,,,  
45,2,,24190-050002,, "BALL 5/32",2,2,,,,,,,,,,,,,,,,,,,,,  
46,2,,26450-060162,, "BOLT M 6X 16",1,1,,,,,,,,,,,,,,,,,,,,,  
47,2,,26450-060202,, "BOLT M 6X 20",7,7,,,,,,,,,,,,,,,,,,,,,  
48,2,,26557-080502,, "SCREW M 8X 50",1,1,,,,,,,,,,,,,,,,,,,,,  
49,1,,26013-080202,, "BOLT M 8X 20",4,4,,,,,,,,,,,,,,,,,,,,,



Fig. 65 サードバルブコントロール  
3RD VALVE CONTROL

COUNTRY	U	K	A	S	E	X
Fig.No.	65	66	—	—	—	—

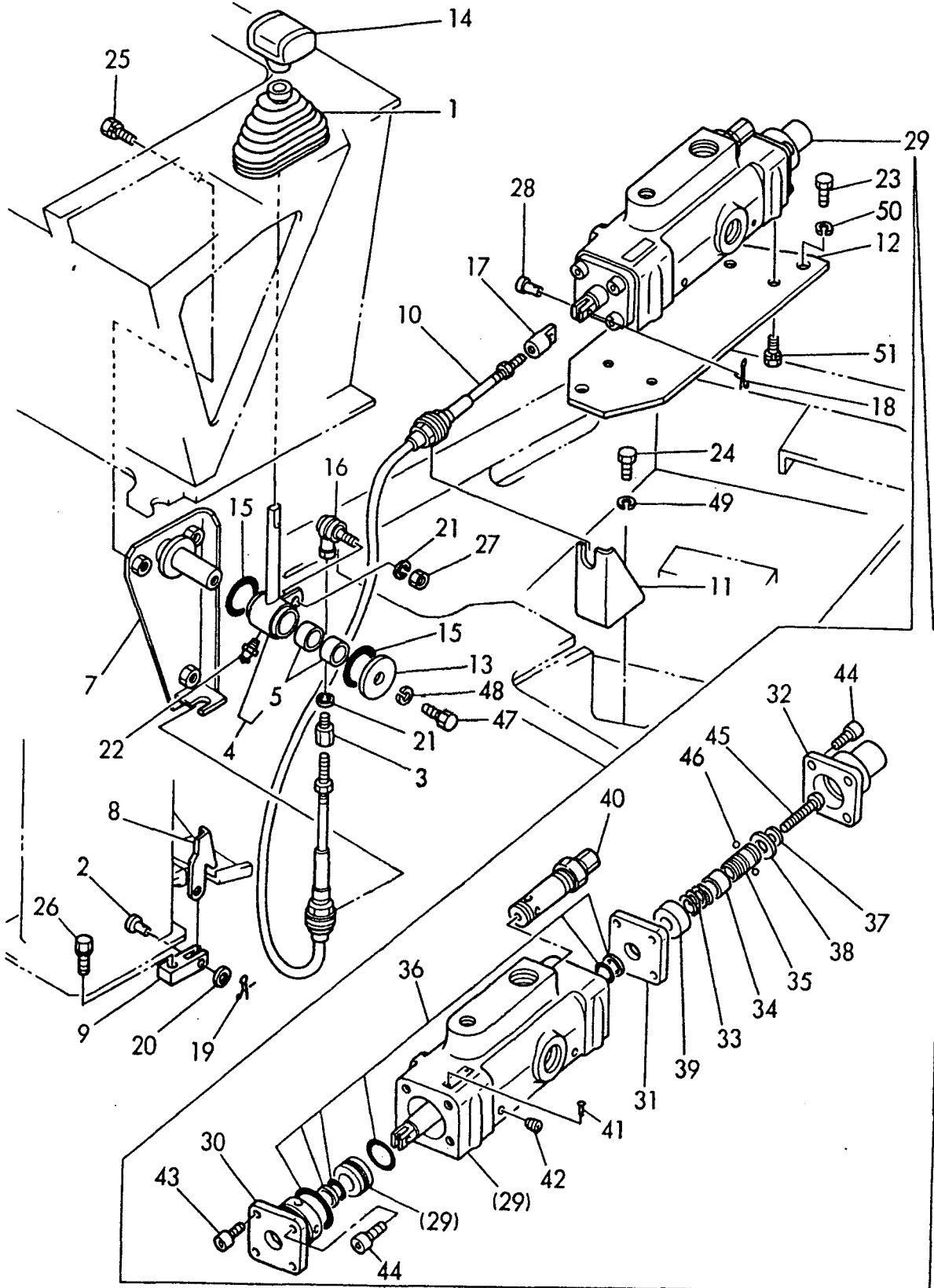


1,1,,172141-41340,,BOOTS,1,1,,,,,,,,,,,,,  
2,1,,172112-41960,,,"PIN 8X25.5",1,1,,,,,,,,,,,,,  
3,1,,172141-42960,,,"JOINT, CABLE",1,1,,,,,,,,,,,,,  
4,1,,172141-43100,,,"LEVER W/BUSH",1,1,,,,,,,,,,,,,  
5,2,,172141-41370,,,"BUSH 2015",2,2,,,,,,,,,,,,,  
7,1,,172141-43120,,,"SHAFT",1,1,,,,,,,,,,,,,  
8,1,,172141-43150,,,"HOOK, PEDAL",1,1,,,,,,,,,,,,,  
9,1,,172141-43160,,,"BLACK, PEDAL LOCK",1,1,,,,,,,,,,,,,  
10,1,,172141-43180,,,"CABLE",1,1,,,,,,,,,,,,,  
11,1,,172141-43200,,,"BRACKET, CABLE",1,1,,,,,,,,,,,,,  
12,1,,172141-43210,,,"BRACKET",1,1,,,,,,,,,,,,,  
13,1,,1A1040-45890,,,"WASHER 10 36 4.5",1,1,,,,,,,,,,,,,  
14,1,,172116-45940,,,"KNOB (C), LEVER",1,1,,,,,,,,,,,,,  
15,1,,172124-46200,,,"O-RING 27X5.7",2,2,,,,,,,,,,,,,  
16,1,,172122-46590,,,"ELBALL 8",1,1,,,,,,,,,,,,,  
17,1,,172116-46910,,,"JOINT, SPOOL",1,1,,,,,,,,,,,,,  
18,1,,1C6281-52310,,,"PIN 6,COME-OFF SNAP",1,1,,,,,,,,,,,,,  
19,1,,1C6281-52310,,,"PIN 6,COME-OFF SNAP",1,1,,,,,,,,,,,,,  
20,1,,22137-080000,,,"WASHER 8",1,1,,,,,,,,,,,,,  
21,1,,22217-080000,,,"SPRING WASHER 8",2,2,,,,,,,,,,,,,  
22,1,,24761-020000,,,"NIPPLE PT1/8,GREASE",1,1,,,,,,,,,,,,,  
23,1,,26116-100202,,,"BOLT M10X 20 PLATED",3,3,,,,,,,,,,,,,  
24,1,,26116-100202,,,"BOLT M10X 20 PLATED",2,2,,,,,,,,,,,,,  
25,1,,26013-100202,,,"BOLT M10X 20",3,3,,,,,,,,,,,,,  
26,1,,26013-100502,,,"BOLT M10X 50",1,1,,,,,,,,,,,,,  
27,1,,26716-080002,,,"NUT M 8",1,1,,,,,,,,,,,,,  
28,1,,933110-54100,,,"PIN 4.75X14",1,1,,,,,,,,,,,,,  
29,1,,172141-74700,,,"VALVE ASSY, SELECTOR",1,1,,,,,,,,,,,,,  
30,2,,172141-74790,,,"PLATE, ADAPTER",1,1,,,,,,,,,,,,,  
31,2,,172141-74820,,,"PLATE",1,1,,,,,,,,,,,,,  
32,2,,172141-74830,,,"COVER",1,1,,,,,,,,,,,,,  
33,2,,172141-74840,,,"SPRING",1,1,,,,,,,,,,,,,  
34,2,,172141-74850,,,"RETAINER, BALL",1,1,,,,,,,,,,,,,  
35,2,,172141-74860,,,"SLEEVE, DETENT",1,1,,,,,,,,,,,,,  
36,2,,172141-74870,,,"SEAL KIT",1,1,,,,,,,,,,,,,  
37,2,,172141-74890,,,"WASHER",1,1,,,,,,,,,,,,,  
38,2,,172141-74900,,,"GUIDE",1,1,,,,,,,,,,,,,  
39,2,,172141-74910,,,"SPACER",1,1,,,,,,,,,,,,,  
40,2,,172141-74920,,,"VALVE, RELIEF",1,1,,,,,,,,,,,,,  
41,2,,172141-74930,,,"STUD",2,2,,,,,,,,,,,,,  
42,2,,172141-74950,,,"PLUG 1/16",3,3,,,,,,,,,,,,,  
43,2,,26450-060162,,,"BOLT M 6X 16",1,1,,,,,,,,,,,,,  
44,2,,26450-060202,,,"BOLT M 6X 20",7,7,,,,,,,,,,,,,  
45,2,,26557-080502,,,"SCREW M 8X 50",1,1,,,,,,,,,,,,,  
46,2,,24190-050002,,,"BALL 5/32",2,2,,,,,,,,,,,,,  
47,1,,26116-100202,,,"BOLT M10X 20 PLATED",1,1,,,,,,,,,,,,,  
48,1,,22217-100000,,,"SPRING WASHER 10",1,1,,,,,,,,,,,,,  
49,1,,22217-100000,,,"SPRING WASHER 10",2,2,,,,,,,,,,,,,  
50,1,,22217-100000,,,"SPRING WASHER 10",3,3,,,,,,,,,,,,,  
51,1,,26013-080202,,,"BOLT M 8X 20",4,4,,,,,,,,,,,,,

サードバルブコントロール  
3RD VALVE CONTROL

Fig. 66

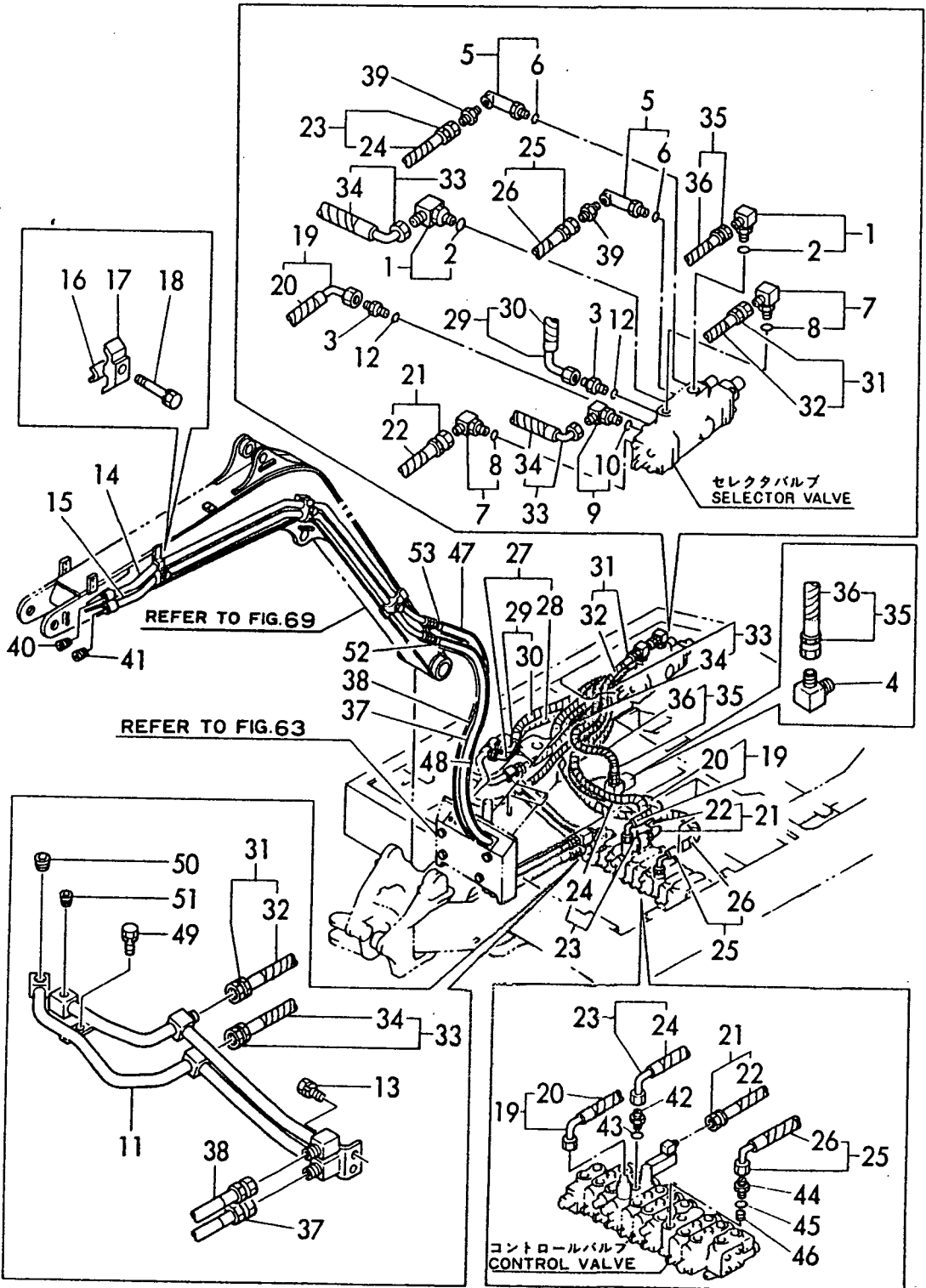
COUNTRY	U	K	A	S	E	X
Fig. No.	65	66	—	—	—	—



1,1,,172141-76090,, "CONNECTOR 3/4L",2,2,,,,,,,,,,,,,,,,,,,,,  
2,2,,24315-000240,, "O-RING 1B P-24.0",2,2,,,,,,,,,,,,,,,,,,,,,  
3,1,,172124-76160,,CONNECTOR,2,2,,,,,,,,,,,,,,,,,,,,,  
4,1,,933166-25360,, "ELBOW 3/4 (90°)",1,1,,,,,,,,,,,,,,,,,,,,,  
5,1,,172141-76880,, "CONNECTOR 3/8L",2,2,,,,,,,,,,,,,,,,,,,,,  
6,2,,24315-000140,, "O-RING 1B P-14.0",2,2,,,,,,,,,,,,,,,,,,,,,  
7,1,,172141-76900,, "CONNECTOR 1/2L",2,2,,,,,,,,,,,,,,,,,,,,,  
8,2,,24315-000180,, "O-RING 1B P-18.0",2,2,,,,,,,,,,,,,,,,,,,,,  
9,1,,172141-76920,, "CONNECTOR 3/8-1/4L",1,1,,,,,,,,,,,,,,,,,,,,,  
10,2,,24315-000140,, "O-RING 1B P-14.0",1,1,,,,,,,,,,,,,,,,,,,,,  
11,1,,172143-76850,, "TUBE, 3RD",1,1,,,,,,,,,,,,,,,,,,,,,  
12,1,,24315-000140,, "O-RING 1B P-14.0",2,2,,,,,,,,,,,,,,,,,,,,,  
13,1,,26013-100202,, "BOLT M10X 20",2,2,,,,,,,,,,,,,,,,,,,,,  
14,1,,172141-76750,, "PIPE, 3RD V.(P)",1,1,,,,,,,,,,,,,,,,,,,,,  
15,1,,172141-76800,, "PIPE, 3RD V.(T)",1,1,,,,,,,,,,,,,,,,,,,,,  
16,1,,172141-76850,, "SPACER, CLAMP",3,3,,,,,,,,,,,,,,,,,,,,,  
17,1,,172125-76900,,CLAMP,3,3,,,,,,,,,,,,,,,,,,,,,  
18,1,,26013-120502,, "BOLT M12X 50",3,3,,,,,,,,,,,,,,,,,,,,,  
19,1,,172141-79100,,HOSE,1,1,,,,,,,,,,,,,,,,,,,,,  
20,2,,172141-79120,, "TUBE, SPIRAL",1,1,,,,,,,,,,,,,,,,,,,,,  
21,1,,172141-79130,,HOSE,1,1,,,,,,,,,,,,,,,,,,,,,  
22,2,,172141-79150,, "TUBE, SPIRAL",1,1,,,,,,,,,,,,,,,,,,,,,  
23,1,,172141-79160,,HOSE,1,1,,,,,,,,,,,,,,,,,,,,,  
24,2,,172141-79180,, "TUBE, SPIRAL",1,1,,,,,,,,,,,,,,,,,,,,,  
25,1,,172141-79190,,HOSE,1,1,,,,,,,,,,,,,,,,,,,,,  
26,2,,172141-79210,, "TUBE, SPIRAL",1,1,,,,,,,,,,,,,,,,,,,,,  
27,1,,172141-79220,,HOSE,1,1,,,,,,,,,,,,,,,,,,,,,  
28,2,,172141-79240,, "TUBE, SPIRAL",1,1,,,,,,,,,,,,,,,,,,,,,  
29,1,,172141-79250,,HOSE,1,1,,,,,,,,,,,,,,,,,,,,,  
30,2,,172141-79270,, "TUBE, SPIRAL",1,1,,,,,,,,,,,,,,,,,,,,,  
31,1,,172143-79280,,HOSE,1,1,,,,,,,,,,,,,,,,,,,,,  
32,2,,172143-79300,, "TUBE, SPIRAL",1,1,,,,,,,,,,,,,,,,,,,,,  
33,1,,172143-79310,,HOSE,1,1,,,,,,,,,,,,,,,,,,,,,  
34,2,,172143-79330,, "TUBE, SPIRAL",1,1,,,,,,,,,,,,,,,,,,,,,  
35,1,,172141-79340,,HOSE,1,1,,,,,,,,,,,,,,,,,,,,,  
36,2,,172141-79360,, "TUBE, SPIRAL",1,1,,,,,,,,,,,,,,,,,,,,,  
37,1,,172141-79370,,HOSE,1,1,,,,,,,,,,,,,,,,,,,,,  
38,1,,172141-79380,,HOSE,1,1,,,,,,,,,,,,,,,,,,,,,  
39,1,,933152-24410,, "CONNECTOR (A)",2,2,,,,,,,,,,,,,,,,,,,,,  
40,1,,23871-040000,, "PLUG PT 1/2",1,1,,,,,,,,,,,,,,,,,,,,,  
41,1,,23871-060000,, "PLUG PT 3/4",1,1,,,,,,,,,,,,,,,,,,,,,  
42,1,,172142-74310,,NIPPLE,1,1,,,,,,,,,,,,,,,,,,,,,  
43,1,,172141-74430,,O-RING,1,1,,,,,,,,,,,,,,,,,,,,,  
44,1,,933160-03530,, "PORT, PUMP EXH.",1,1,,,,,,,,,,,,,,,,,,,,,  
45,1,,933152-07400,, "O-RING (A)",1,1,,,,,,,,,,,,,,,,,,,,,  
46,1,,172141-74750,,PLUG,1,1,,,,,,,,,,,,,,,,,,,,,  
47,1,,172142-78790,, "COVER 20-600, HOSE",1,1,,,,,,,,,,,,,,,,,,,,,  
48,1,,172137-79950,,COVER,1,1,,,,,,,,,,,,,,,,,,,,,  
49,1,,26013-100202,, "BOLT M10X 20",1,1,,,,,,,,,,,,,,,,,,,,,  
50,1,,23871-040000,, "PLUG PT 1/2",1,1,,,,,,,,,,,,,,,,,,,,,  
51,1,,23871-060000,, "PLUG PT 3/4",1,1,,,,,,,,,,,,,,,,,,,,,  
52,1,,23000-041000,, "CLAMP 41",2,2,,,,,,,,,,,,,,,,,,,,,  
53,1,,23000-025000,, "CLAMP 25",2,2,,,,,,,,,,,,,,,,,,,,,

# Fig. 67 サードバルブハイカン 3RD VALVE PIPING

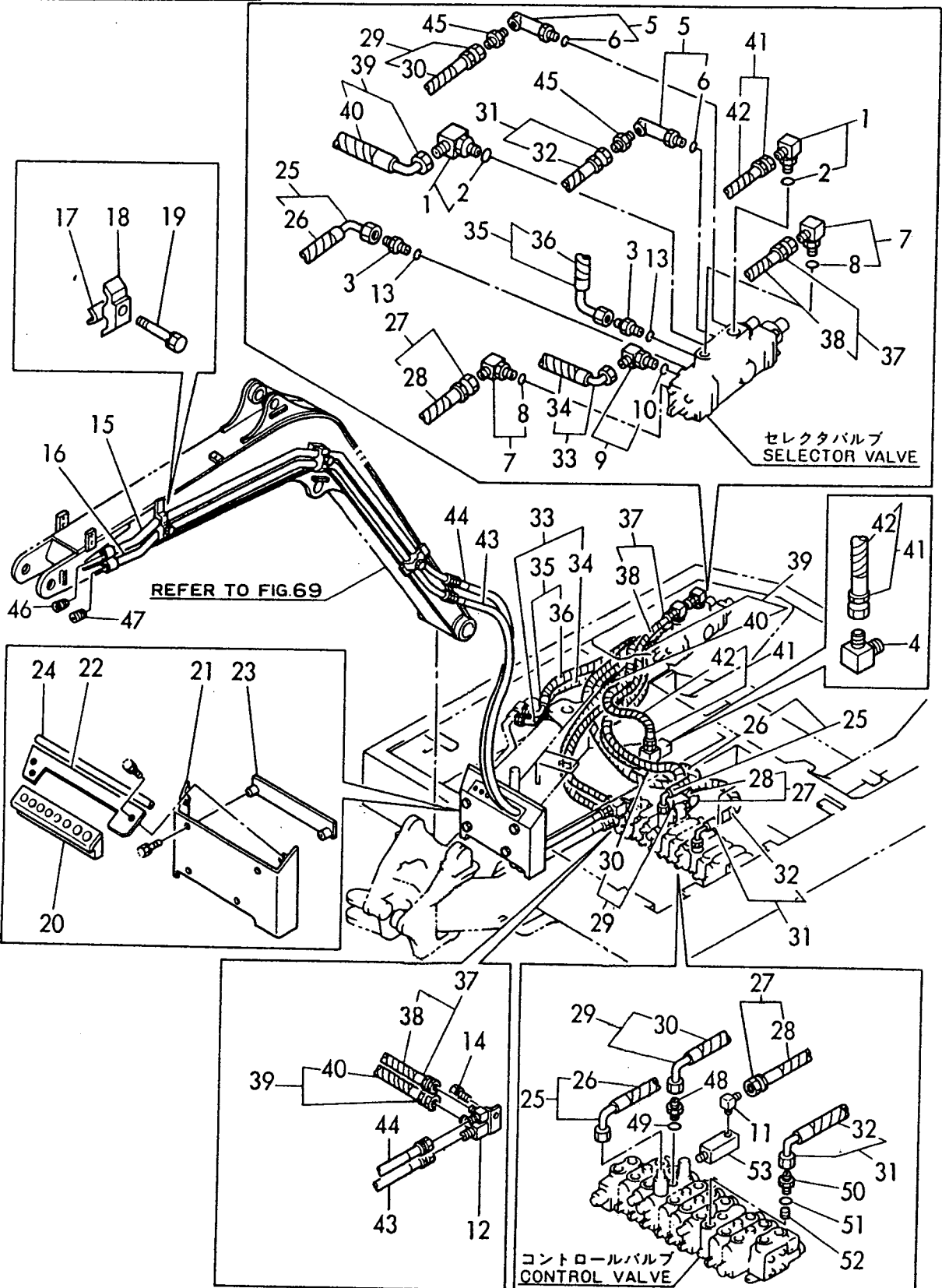
COUNTRY	U	K	A	S	E	X
Fig.No.	67	68	—	—	—	—



1,1,,172141-76090,, "CONNECTOR 3/4L",2,2,,,,,,,,,,,,,,,,,,,,,  
2,2,,24315-000240,, "O-RING 1B P-24.0",2,2,,,,,,,,,,,,,,,,,,,,,  
3,1,,172124-76160,,CONNECTOR,2,2,,,,,,,,,,,,,,,,,,,,,  
4,1,,933166-25360,, "ELBOW 3/4 (90°)",1,1,,,,,,,,,,,,,,,,,,,,,  
5,1,,172141-76880,, "CONNECTOR 3/8L",2,2,,,,,,,,,,,,,,,,,,,,,  
6,2,,24315-000140,, "O-RING 1B P-14.0",2,2,,,,,,,,,,,,,,,,,,,,,  
7,1,,172141-76900,, "CONNECTOR 1/2L",2,2,,,,,,,,,,,,,,,,,,,,,  
8,2,,24315-000180,, "O-RING 1B P-18.0",2,2,,,,,,,,,,,,,,,,,,,,,  
9,1,,172141-76920,, "CONNECTOR 3/8-1/4L",1,1,,,,,,,,,,,,,,,,,,,,,  
10,2,,24315-000140,, "O-RING 1B P-14.0",1,1,,,,,,,,,,,,,,,,,,,,,  
11,1,,172141-76990,, "BUSH 38-55, PIN",1,1,,,,,,,,,,,,,,,,,,,,,  
12,1,,172141-76950,,JOINT,1,1,,,,,,,,,,,,,,,,,,,,,  
13,1,,24315-000140,, "O-RING 1B P-14.0",2,2,,,,,,,,,,,,,,,,,,,,,  
14,1,,26013-100202,, "BOLT M10X 20",1,1,,,,,,,,,,,,,,,,,,,,,  
15,1,,172141-76750,, "PIPE, 3RD V.(P)",1,1,,,,,,,,,,,,,,,,,,,,,  
16,1,,172141-76800,, "PIPE, 3RD V.(T)",1,1,,,,,,,,,,,,,,,,,,,,,  
17,1,,172141-76850,, "SPACER, CLAMP",3,3,,,,,,,,,,,,,,,,,,,,,  
18,1,,172125-76900,,CLAMP,3,3,,,,,,,,,,,,,,,,,,,,,  
19,1,,26013-120502,, "BOLT M12X 50",3,3,,,,,,,,,,,,,,,,,,,,,  
20,1,,172141-78060,,CLAMP,1,1,,,,,,,,,,,,,,,,,,,,,  
21,1,,172141-78720,,SUPPORT,1,1,,,,,,,,,,,,,,,,,,,,,  
22,1,,172141-78750,,COVER,1,1,,,,,,,,,,,,,,,,,,,,,  
23,1,,172141-78760,,STAY,1,1,,,,,,,,,,,,,,,,,,,,,  
24,1,,172141-78790,,RUMMER,1,1,,,,,,,,,,,,,,,,,,,,,  
25,1,,172141-79100,,HOSE,1,1,,,,,,,,,,,,,,,,,,,,,  
26,2,,172141-79120,, "TUBE, SPIRAL",1,1,,,,,,,,,,,,,,,,,,,,,  
27,1,,172141-79130,,HOSE,1,1,,,,,,,,,,,,,,,,,,,,,  
28,2,,172141-79150,, "TUBE, SPIRAL",1,1,,,,,,,,,,,,,,,,,,,,,  
29,1,,172141-79160,,HOSE,1,1,,,,,,,,,,,,,,,,,,,,,  
30,2,,172141-79180,, "TUBE, SPIRAL",1,1,,,,,,,,,,,,,,,,,,,,,  
31,1,,172141-79190,,HOSE,1,1,,,,,,,,,,,,,,,,,,,,,  
32,2,,172141-79210,, "TUBE, SPIRAL",1,1,,,,,,,,,,,,,,,,,,,,,  
33,1,,172141-79220,,HOSE,1,1,,,,,,,,,,,,,,,,,,,,,  
34,2,,172141-79240,, "TUBE, SPIRAL",1,1,,,,,,,,,,,,,,,,,,,,,  
35,1,,172141-79250,,HOSE,1,1,,,,,,,,,,,,,,,,,,,,,  
36,2,,172141-79270,, "TUBE, SPIRAL",1,1,,,,,,,,,,,,,,,,,,,,,  
37,1,,172141-79280,,HOSE,1,1,,,,,,,,,,,,,,,,,,,,,  
38,2,,172141-79300,, "TUBE, SPIRAL",1,1,,,,,,,,,,,,,,,,,,,,,  
39,1,,172141-79310,,HOSE,1,1,,,,,,,,,,,,,,,,,,,,,  
40,2,,172141-79330,, "TUBE, SPIRAL",1,1,,,,,,,,,,,,,,,,,,,,,  
41,1,,172141-79340,,HOSE,1,1,,,,,,,,,,,,,,,,,,,,,  
42,2,,172141-79360,, "TUBE, SPIRAL",1,1,,,,,,,,,,,,,,,,,,,,,  
43,1,,172141-79370,,HOSE,1,1,,,,,,,,,,,,,,,,,,,,,  
44,1,,172141-79380,,HOSE,1,1,,,,,,,,,,,,,,,,,,,,,  
45,1,,933152-24410,, "CONNECTOR (A)",2,2,,,,,,,,,,,,,,,,,,,,,  
46,1,,23871-040000,, "PLUG PT 1/2",1,1,,,,,,,,,,,,,,,,,,,,,  
47,1,,23871-060000,, "PLUG PT 3/4",1,1,,,,,,,,,,,,,,,,,,,,,  
48,1,,172142-74310,,NIPPLE,1,1,,,,,,,,,,,,,,,,,,,,,  
49,1,,172141-74430,,O-RING,1,1,,,,,,,,,,,,,,,,,,,,,  
50,1,,933160-03530,, "PORT, PUMP EXH.",1,1,,,,,,,,,,,,,,,,,,,,,  
51,1,,933152-07400,, "O-RING (A)",1,1,,,,,,,,,,,,,,,,,,,,,  
52,1,,172141-74750,,PLUG,1,1,,,,,,,,,,,,,,,,,,,,,  
53,1,,172732-76160,,ELBOW,1,1,,,,,,,,,,,,,,,,,,,,,

Fig. 68 サードバルブハイカン  
3RD VALVE PIPING

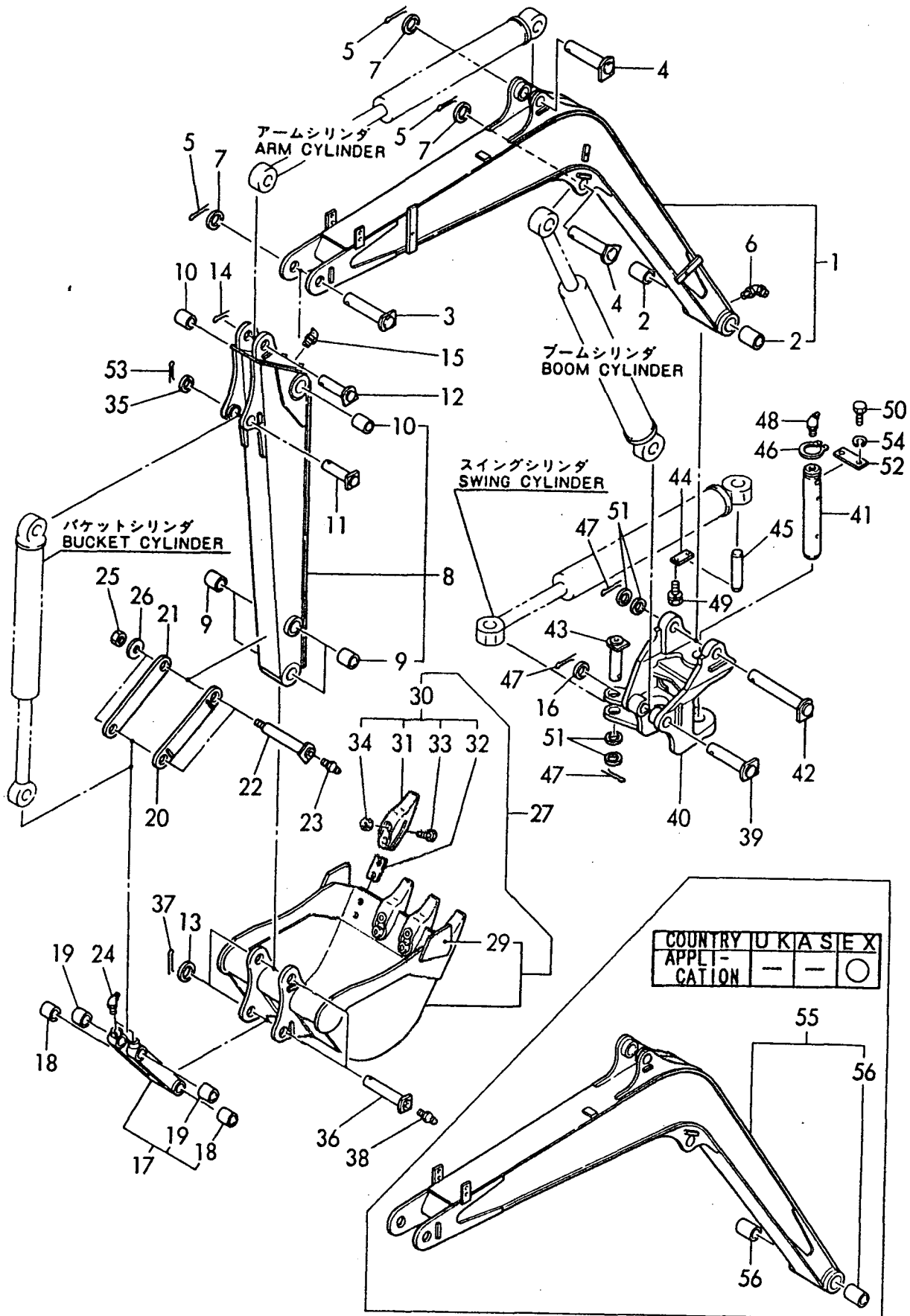
COUNTRY	U	K	A	S	E	X
Fig. No.	67	68	—	—	—	—



1,1,,172141-81500,, "BOOM W/BUSH, 3RD",1,1,,,,,,,,,,,,,  
2,2,,172116-82400,, "PIN BUSH 38X55",2,2,,,,,,,,,,,,,  
3,1,,172141-81400,, "PIN 38-160",1,1,,,,,,,,,,,,,  
4,1,,172141-81420,, "PIN 38-115",2,2,,,,,,,,,,,,,  
5,1,,22417-800500,, "COTTER PIN 8.0X50",3,3,,,,,,,,,,,,,  
6,1,,24761-040000,, "NIPPLE B,GREASE",1,1,,,,,,,,,,,,,  
7,1,,933171-29750,, "SHIM SET, PIN 38",3,3,,,,,,,,,,,,,  
8,1,,172141-82100,, "ARM ASSY(1080)",1,1,,,,,,,,,,,,,  
9,2,,172141-82270,, "BUSH 38 45, PIN",4,4,,,,,,,,,,,,,  
10,2,,172141-82280,, "BUSH 38 45, PIN",2,2,,,,,,,,,,,,,  
11,1,,172141-82300,, "PIN 38-86",1,1,,,,,,,,,,,,,  
12,1,,172141-82330,, "PIN 38-86",1,1,,,,,,,,,,,,,  
13,1,,172141-84600,, "SHIM 35",2,2,,,,,,,,,,,,,  
14,1,,22417-800500,, "COTTER PIN 8.0X50",1,1,,,,,,,,,,,,,  
15,1,,24761-040000,, "NIPPLE B,GREASE",1,1,,,,,,,,,,,,,  
16,1,,933171-29750,, "SHIM SET, PIN 38",1,1,,,,,,,,,,,,,  
17,1,,172141-84400,, "LINK W/BUSH, BUCKET",1,1,,,,,,,,,,,,,  
18,2,,172141-82270,, "BUSH 38 45, PIN",2,2,,,,,,,,,,,,,  
19,2,,172141-72560,, "BUSH 35 40 A, PIN",2,2,,,,,,,,,,,,,  
20,1,,172141-84500,, "RAM(L), BUCKET",1,1,,,,,,,,,,,,,  
21,1,,172141-84510,, "PLATE, BUCKET ARM",1,1,,,,,,,,,,,,,  
22,1,,172141-84550,, "PIN 35-152",2,2,,,,,,,,,,,,,  
23,1,,24761-020000,, "NIPPLE PT1/8,GREASE",2,2,,,,,,,,,,,,,  
24,1,,24761-040000,, "NIPPLE B,GREASE",2,2,,,,,,,,,,,,,  
25,1,,933110-86600,, "NUT M24, NYLON",2,2,,,,,,,,,,,,,  
26,1,,933171-29760,, "WASHER",2,2,,,,,,,,,,,,,  
27,1,,772141-81400,, "BUCKET 450",1,1,,,,,,,,,,,,,  
29,3,,172116-86240,, "SIDE CUTTER, BUCKET",2,2,,,,,,,,,,,,,  
30,2,,772141-86231,, "TEETH ASSY",4,4,,,,,,,,,,,,,  
31,3,,172141-86231,, "TEETH",4,4,,,,,,,,,,,,,  
32,3,,172137-86710,, "TEETH SHIM 17 SET",4,4,,,,,,,,,,,,,  
33,3,,172137-86770,, "BOLT",8,8,,,,,,,,,,,,,  
34,3,,172137-86780,, "NUT",8,8,,,,,,,,,,,,,  
35,1,,172141-84600,, "SHIM 35",1,1,,,,,,,,,,,,,  
36,1,,172141-86251,, "PIN 35-188 CMP",2,2,,,,,,,,,,,,,  
37,1,,22417-800450,, "COTTER PIN 8.0X45",2,2,,,,,,,,,,,,,  
38,1,,24761-020000,, "NIPPLE PT1/8,GREASE",2,2,,,,,,,,,,,,,  
39,1,,172141-81400,, "PIN 38-160",1,1,,,,,,,,,,,,,  
40,1,,172141-83301,, "BRACKET, BOOM",1,1,,,,,,,,,,,,,  
41,1,,172141-83322,, "PIN 50-303",1,1,,,,,,,,,,,,,  
42,1,,172141-83340,, "PIN 38-223",1,1,,,,,,,,,,,,,  
43,1,,172141-83371,, "PIN 38-97",1,1,,,,,,,,,,,,,  
44,1,,172141-83390,, "PLATE, PIN LOCK",1,1,,,,,,,,,,,,,  
45,1,,172141-94260,, "PIN 38-130",1,1,,,,,,,,,,,,,  
46,1,,22242-000500,, "CIRCLIP 50",1,1,,,,,,,,,,,,,  
47,1,,22417-800500,, "COTTER PIN  
8.0X50",3,3,,,,,,,,,72171061,,72171061,,72171061,,,,,,,,,I  
48,1,,24761-040000,, "NIPPLE B,GREASE",1,1,,,,,,,,,,,,,  
49,1,,26013-100252,, "BOLT M10X 25",2,2,,,,,,,,,,,,,  
50,1,,26116-160402,, "BOLT M16X 40 PLATED",2,2,,,,,,,,,,,,,  
51,1,,933171-29750,, "SHIM SET, PIN 38",4,4,,,,,,,,,,,,,  
52,1,,172141-83400,, "PLATE",1,1,,,,,,,,,,,,,  
53,1,,22417-800450,, "COTTER PIN  
8.0X45",1,1,,,,,,,,,72171061,,72171061,,72171061,,,,,,,,,I  
54,1,,22217-160000,, "SPRING WASHER 16",2,2,,,,,,,,,,,,,  
55,1,,172141-81100,, "BOOM ASSY",1,1,,,,,,,,,1,,,,,,,,,  
56,2,,172116-82400,, "PIN BUSH 38X55",2,2,,,,,,,,,1,,,,,,,,,



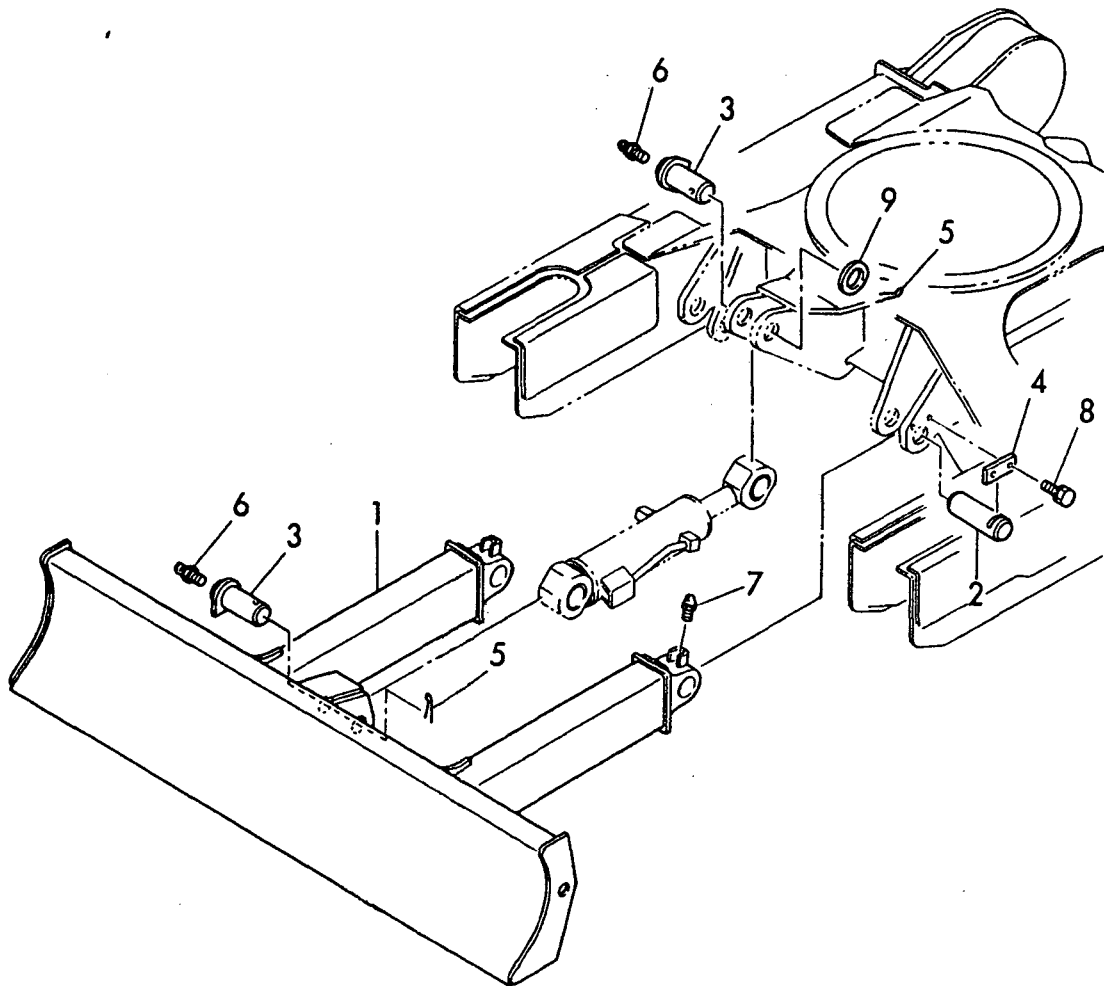
Fig. 69 ブーム&バケット  
BOOM & BUCKET



COUNTRY	U	K	A	S	E	X
APPLI-CATION	-	-	-	○	-	-

1,1,,172141-94100,, "BLADE ASSY, 850",1,1,,,,,,,,,,,,,  
2,1,,172141-94260,, "PIN 38-130",2,2,,,,,,,,,,,,,  
3,1,,172141-94270,, "PIN 38-90",2,2,,,,,,,,,,,,,  
4,1,,172124-94310,, "PLATE, LOCK",2,2,,,,,,,,,,,,,  
5,1,,22417-800560,, "COTTER PIN 8.0X  
56",2,2,,,,,,,,,72171061,,72171061,,72171061,,,,,,,,,I  
6,1,,24761-020000,, "NIPPLE PT1/8,GREASE",2,2,,,,,,,,,,,,,  
7,1,,24761-040000,, "NIPPLE B,GREASE",2,2,,,,,,,,,,,,,  
8,1,,26013-100252,, "BOLT M10X 25",4,4,,,,,,,,,,,,,  
9,1,,933171-29750,, "SHIM SET, PIN 38",1,1,,,,,,,,,,,,,

Fig. **70** ブレード(850)  
BLADE (850)



Y00S3010,"Construction equipment",Excavator,B  
[Info]  
PcNo=Y00S3010  
PcName=B22(UK,AS)  
JpnUse=0  
JpnSec1=  
JpnSec2=  
JpnSec3=  
JpnPreface=0  
EngUse=1  
EngSec1=CONSTRUCTION  
EngSec2=EXCAVATOR (B)  
EngSec3=B  
EngPreface=1

0,Y00S3010  
1,001,,,"VEHICLE B22"  
2,1,,,"LABEL(CANOPY SPEC.)(UK)","B22 P","B22 C",,  
2,2,,,"LABEL(CANOPY SPEC.)(AS,EX)","B22 P","B22 C",,  
2,3,,,"LABEL(CABIN SPEC.)(AS,EX)","B22 P","B22 C",,  
2,4,,,"TOOL & MANUAL CASE","B22 P","B22 C",,  
2,5,,,"AIR CLEANER & SILENCER","B22 P","B22 C",,  
2,6,,,"ACCELERATOR","B22 P","B22 C",,  
2,7,,,"ENGINE MOUNT & RADIATOR","B22 P","B22 C",,  
2,8,,,"FUEL TANK & FUEL LINE","B22 P","B22 C",,  
2,9,,,"BATTERY","B22 P","B22 C",,  
2,10,,,"ELECTRIC PART(UK)","B22 P","B22 C",,  
2,11,,,"ELECTRIC PART(CANOPY SPEC)(AS)","B22 P","B22 C",,  
2,12,,,"ELECTRIC PART(CABIN SPEC.)(AS)","B22 P","B22 C",,  
2,13,,,"WORK LAMP","B22 P","B22 C",,  
2,14,,,"HEATER(UK)","B22 P","B22 C",,  
2,15,,,"HEATER(AS)","B22 P","B22 C",,  
2,16,,,"TRACK ROLLER","B22 P","B22 C",,  
2,17,,,"TRACK FRAME & IDLER","B22 P","B22 C",,  
2,18,,,"TRACK FRAME & IDLER(R)","B22 P","B22 C",,  
2,19,,,"CRAWLER(270)","B22 P","B22 C",,  
2,20,,,"LINK STAND(UK)","B22 P","B22 C",,  
2,21,,,"LINK STAND(AS,EX)","B22 P","B22 C",,  
2,22,,,"CONTROL EQUIP(BOOM & BUCKET)UK","B22 P","B22 C",,  
2,23,,,"CONTROL EQUIP(ARM & TURNING)UK","B22 P","B22 C",,  
2,24,,,"CONTROL EQUIP.(TRAVEL & SWING)","B22 P","B22 C",,  
2,25,,,"CONTROL EQUIP.(LEVER)(AS,EX)","B22 P","B22 C",,  
2,26,,,"CONTROL EQUIPMENT(BLADE)(UK)","B22 P","B22 C",,  
2,27,,,"CONTROL EQUIPMENT(LINK)(AS,EX)","B22 P","B22 C",,  
2,28,,,"OPERATION LEVER STOPPER(UK)","B22 P","B22 C",,  
2,29,,,"CONTROL EQUIPMENT(ROD)(AS,EX)","B22 P","B22 C",,  
2,30,,,"TURNING FRAME","B22 P","B22 C",,  
2,31,,,"TURNING DRIVING GEARS","B22 P","B22 C",,  
2,32,,,"BONNET","B22 P","B22 C",,  
2,33,,,"SEAT & STEP(UK)","B22 P","B22 C",,  
2,34,,,"SEAT & STEP(AS,EX)","B22 P","B22 C",,  
2,35,,,"ROPS(UK)","B22 P","B22 C",,  
2,36,,,"CANOPY(AS,EX)","B22 P","B22 C",,  
2,37,,,"CABIN(AS,EX)","B22 P","B22 C",,  
2,38,,,"BOOM CYLINDER(UZ)(CANOPY SPEC)","B22 P","B22 C",,  
2,39,,,"BOOM CYL.(UZ)(CABIN SPEC.)(U/A)","B22 P","B22 C",,  
2,40,,,"BOOM CYL.(U)(CABIN SPEC.)(EX)","B22 P","B22 C",,  
2,41,,,"ARM CYLINDER","B22 P","B22 C",,  
2,42,,,"BUCKET CYLINDER","B22 P","B22 C",,  
2,43,,,"SWING CYLINDER(UZ)","B22 P","B22 C",,  
2,44,,,"SWING CYLINDER(U)(EX)","B22 P","B22 C",,  
2,45,,,"BLADE CYLINDER","B22 P","B22 C",,  
2,46,,,"HYD. OIL PUMP & JOINT","B22 P","B22 C",,  
2,47,,,"TURNING MOTOR","B22 P","B22 C",,  
2,48,,,"TRAVEL MOTOR","B22 P","B22 C",,  
2,49,,,"SWIVEL JOINT","B22 P","B22 C",,  
2,50,,,"CON. VALVE(TRAVEL & TURNING)UK","B22 P","B22 C",,  
2,51,,,"CON. VALVE(TRAVEL & TURNING)AS","B22 P","B22 C",,  
2,52,,,"CONTROL VALVE(ARM & BUCKET)(UK)","B22 P","B22 C",,  
2,53,,,"CONTROL VALVE(ARM & BUCKET)(AS)","B22 P","B22 C",,  
2,54,,,"CONTROL VALVE(SWING & BOOM)(UK)","B22 P","B22 C",,  
2,55,,,"CONTROL VALVE(SWING & BOOM)(AS)","B22 P","B22 C",,  
2,56,,,"CONTROL VALVE(BLADE)","B22 P","B22 C",,  
2,57,,,"CONTROL VALVE(P1,P2,P3)","B22 P","B22 C",,  
2,58,,,"HYD. OIL TANK","B22 P","B22 C",,  
2,59,,,"GREASING","B22 P","B22 C",,  
2,60,,,"HYD. OIL PIPING(TANK-VALVE)","B22 P","B22 C",,  
2,61,,,"HYD.OIL PIPING(V.-SWIVEL,MOTOR)","B22 P","B22 C",,

2,62,, "HYD. OIL PIPING(TRAVEL)", "B22 P", "B22 C",,  
2,63,, "HYD.OIL PIPING(WORK EQUI.)(UK)", "B22 P", "B22 C",,  
2,64,, "HYD.OIL PIPING(WORK EQUIP.)(AS)", "B22 P", "B22 C",,  
2,65,, "3RD VALVE CONTROL(UK)", "B22 P", "B22 C",,  
2,66,, "3DR VALVE CONTROL(AS)", "B22 P", "B22 C",,  
2,67,, "3RD VALVE PIPING(UK)", "B22 P", "B22 C",,  
2,68,, "3RD VALVE PIPING(AS)", "B22 P", "B22 C",,  
2,69,, "BOOM & BUCKET", "B22 P", "B22 C",,  
2,70,, "BLADE(850)", "B22 P", "B22 C",,