

P R E F A C E

1. This parts catalog covers the parts for crawler backhoe of Europe.

The England specification in the Parts Catalog for B22(England Australia)

(Issue No. 000Y00S2900) has been copied into the Parts Catalog for B22(Ammann)

(Issue No. 000Y00S3010) which will be published as a parts list of European standard specifications. In addition, this Parts list containing additional design change will be published in revised addition.

<History>

1ST Edition pub No. : 000Y00S2900

[B22 (AMMANN)] Issued : Sep., 1989

1ST Edition pub No. : 000Y00S3010

[B22 (ENGLAND AUSTRALIA)] Issued : Oct., 1990

2ND Edition pub No. : 000Y00S2901

[B22 (EUROPE)] Issued : July., 1991

2. The Mounted engine of Model 3TN75L-RBVM(Q19830A)

3. Color

Color	Munsel No.	Paint Code (16 l)	Spray
YANMAR Saffron Yellow	1.0Y7.5/11	933110-91603	977620-30381
YANMAR Cream White	5.0Y9/1	981101-09614	981101-10140
YANMAR Charcoal Gray	N2	981101-09516	977620-30371

4. As this parts catalog covers the specifications of several countries, the Fig. No. for the applicable countries is shown in the following way.

a) When the applicable figure varies according to the appropriate country(s).

Example 1 :

COUNTRY	UK	AY	EP
Fig. No.	—	19	18

← Abbreviation of the country concerned

UK : United Kingdom Model

AY : Ammann Model

EP : All Europe Model

↑ Fig. number on the page on which the country concerned is shown

In case of Example 1 above, AY(Ammann Model) is shown in Fig.19 and

EP(All Europe Model) in Fig.19. UK(United Kingdom Model) is not applicable.

b) When only one figure is available to be applied to one or more countries.

Example 2 :

COUNTRY	UK	AY	EP
APPLICATION	—	○	—

← Abbreviation of the country concerned

← The country concerned is indicated by a circle (○).

In case of Example 2 AY(Ammann Model) is the applicable country.

(Note)

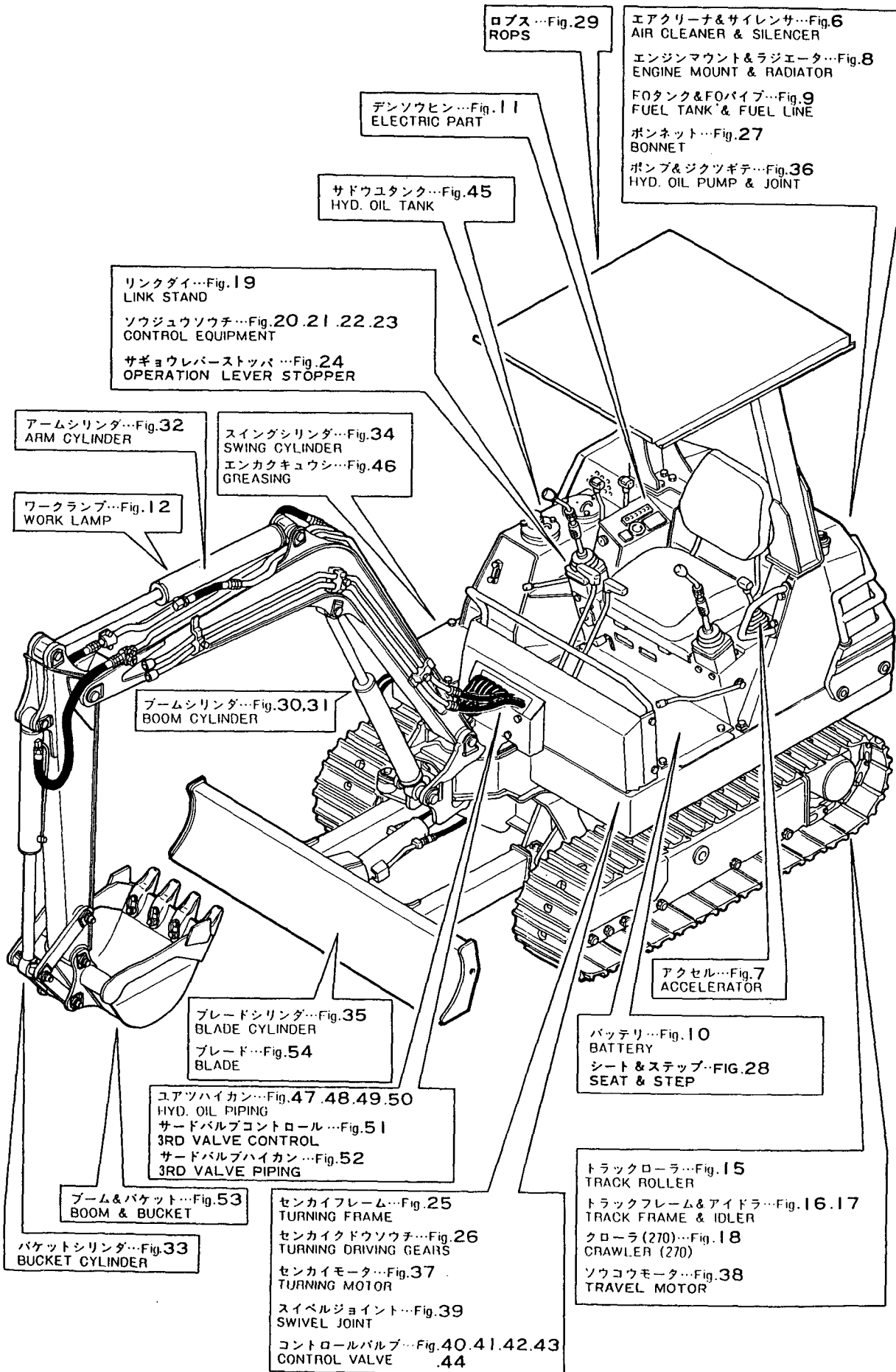
When the figure or specification is common to all destinations, no indication is given.

SPECIFICATIONS

Name		YANMAR CRAWLER BACHOE	
Model		B22-P[R]	B22[R]
Engine	Model	Vertical 3-cylinder water-cooled diesel	
	Type	3 TN75L - RB	
Dimensions	Transport length	mm	4015
	Transport width	mm	1360
	Transport height	mm	2320
Std. bucket capacity		m ³	0.06 (0.01 old)
Std. bucket width(Outside)		mm	450
Max. digging depth		mm	2360 (2500 Blade)
Max. cutting height		mm	4165 3720
Max. dump height		mm	2960 2570
Max. reach at ground level		mm	3990
Min. swing radius		mm	1465 (Boom swing 1080) 1705 (Boom swing 1290)
Boom swing angle		degree	Left 50 & Right 90
Max. digging force(Std. bucket)		kgf	1700
Travel speed		km/h	2.1
Gradability		degree	30
Average ground pressure		kgf/cm ²	0.278 [0.263] 0.294 [0.278]
Track shoe width(Std.)		mm	270 [280]
Blade	Width×height	mm	1360 × 300
	Capacity	m ³	0.123
Machine mass		kg	2100 [2050] 2220 [2170]

[] shows to the specification of rubber crawler.

各部の名称 PARTS NAME



1,1,,772143-03120,, "LAVEL ASSY",,1,,,,1,,,,,,,,,,,,,
2,2,,172141-03100,, LABEL,,1,,,,1,,,,,,,,,,,,,
3,2,,172143-03170,, LABEL,,1,,,,1,,,,,,,,,,,,,
4,2,,172143-03180,, LABEL,,1,,,,1,,,,,,,,,,,,,
5,2,,172141-03210,, "LABEL, SELECT",,1,,,,1,,,,,,,,,,,,,
6,2,,172143-03210,, LABEL,,2,,,,2,,,,,,,,,,,,,
7,2,,172143-03220,, LABEL,,1,,,,1,,,,,,,,,,,,,
8,2,,172143-03230,, LABEL,,1,,,,1,,,,,,,,,,,,,
9,2,,172143-03240,, LABEL,,1,,,,1,,,,,,,,,,,,,
10,2,,172143-03260,, "LABEL, OPERATION",,1,,,,1,,,,,,,,,,,,,
11,2,,172141-03271,, LABEL,,1,,,,1,,,,,,,,,,,,,
12,2,,172143-03270,, LABEL,,1,,,,1,,,,,,,,,,,,,
13,2,,172141-03281,, LABEL,,1,,,,1,,,,,,,,,,,,,
14,2,,172137-03290,, "LABEL, NO.1 MARK",,1,,,,1,,,,,,,,,,,,,
15,2,,172141-03291,, "LABEL, STRIPE(REAR)",,1,,,,1,,,,,,,,,,,,,
16,2,,172137-03300,, "LABEL, TURNING LOCK",,1,,,,1,,,,,,,,,,,,,
17A,2,,172148-03230,, LABEL,,1,,,,,,,,,,,,,
17B,2,,172142-03451,, "LABEL, BOOM",,,,,,2,,,,,,,,,,,,,
18,2,,172148-03140,, "LABEL, STRIPE(F)",,1,,,,1,,,,,,,,,,,,,
19,2,,172141-03231,, LABEL,,2,,,,2,,,,,,,,,,,,,
20,2,,172141-03360,, "LABEL, START SWITCH",,1,,,,1,,,,,,,,,,,,,
21,2,,172138-03750,, "LABEL, GREASE",,1,,,,1,,,,,,,,,,,,,
22,2,,172137-03780,, "LABEL, THROTTLE",,1,,,,1,,,,,,,,,,,,,
23,2,,22857-300050,, "SCREW 3X 5",,4,,,,4,,,,,,,,,,,,,
24,2,,933112-45300,, "LABEL, DANGER (A)",,1,,,,1,,,,,,,,,,,,,
25,2,,172141-03530,, LABEL,,1,,,,1,,,,,,,,,,,,,
26,2,,933112-50700,, "LABEL, OIL FEED",,1,,,,1,,,,,,,,,,,,,
27,2,,933112-52500,, "LABEL, FUEL",,1,,,,1,,,,,,,,,,,,,
28,2,,933112-54300,, "LABEL, AIR CLEANER",,1,,,,1,,,,,,,,,,,,,
29,2,,933112-55700,, "LABEL, SUB-TANK",,1,,,,1,,,,,,,,,,,,,
30,2,,933112-55800,, "LABEL, RADIATER",,1,,,,1,,,,,,,,,,,,,
31,2,,933112-55900,, "LABEL, ANTI-FREEZING",,1,,,,1,,,,,,,,,,,,,
32,2,,172141-03560,, LABEL,,1,,,,1,,,,,,,,,,,,,
33,2,,172141-03570,, LABEL,,1,,,,1,,,,,,,,,,,,,
34,2,,172141-03580,, LABEL,,1,,,,1,,,,,,,,,,,,,
35,2,,172141-03330,, "LABEL, P.T.O.",,1,,,,1,,,,,,,,,,,,,
36,2,,172148-03220,, LABEL,,1,,,,,,,,,,,,,
37,2,,172141-03540,, LABEL,,1,,,,1,,,,,,,,,,,,,
38,1,,172143-03250,, "LABEL,ADJUST CRAWLER",,1,,,,1,,,,,,,,,,,,,
39,1,,172143-03820,, "LABEL(LPA 82",,1,,,,1,W,,,,72142357,*1990.11,,,,,,,,,,,,,I
40,1,,172125-03840,, "LABEL(LWA 96",,1,,,,1,W,,,,72142357,*1990.11,,,,,,,,,,,,,I
42,1,,933112-45500,, "LABEL, CAUTION",,1,,,,,,,,,,,,,
43,1,,194340-65580,, LABEL,,1,,,,1,,,,,,,,,,,,,
44,1,,22857-300050,, "SCREW 3X 5",,4,,,,,1,,,,,,,,,,,,

Fig. 1 **1** メイバン(キャノピ)
 LABEL (CANOPY SPEC.)

COUNTRY	AY	UK	EP	UK(OPT)
Fig No.	1	2	1	3

17A

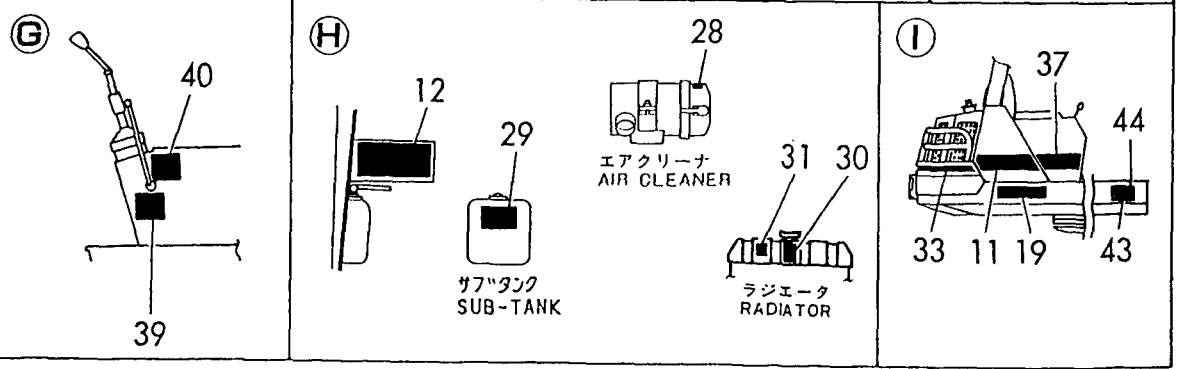
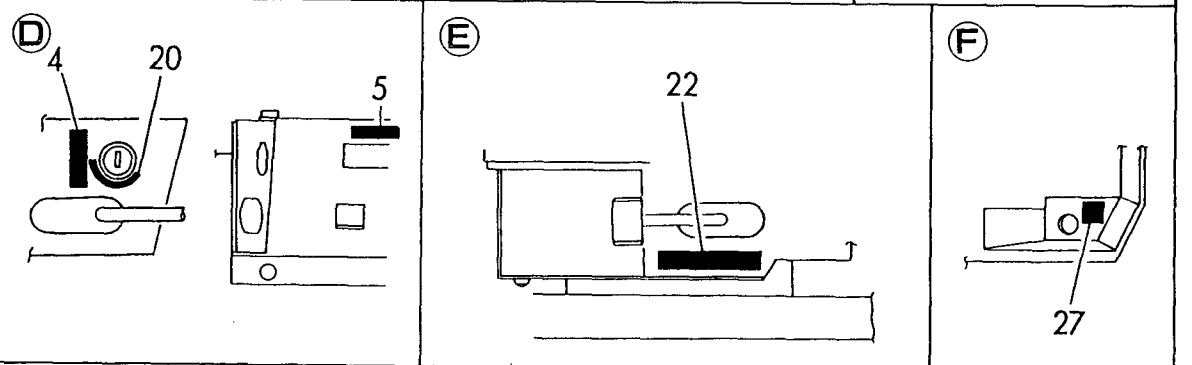
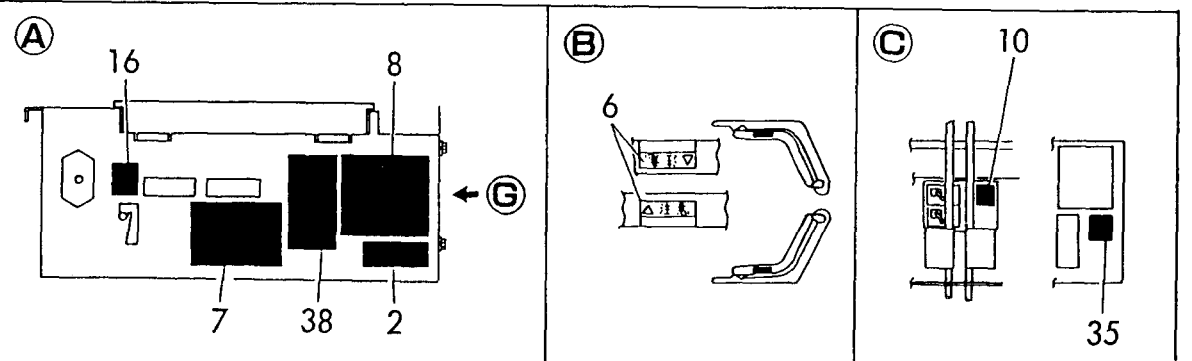
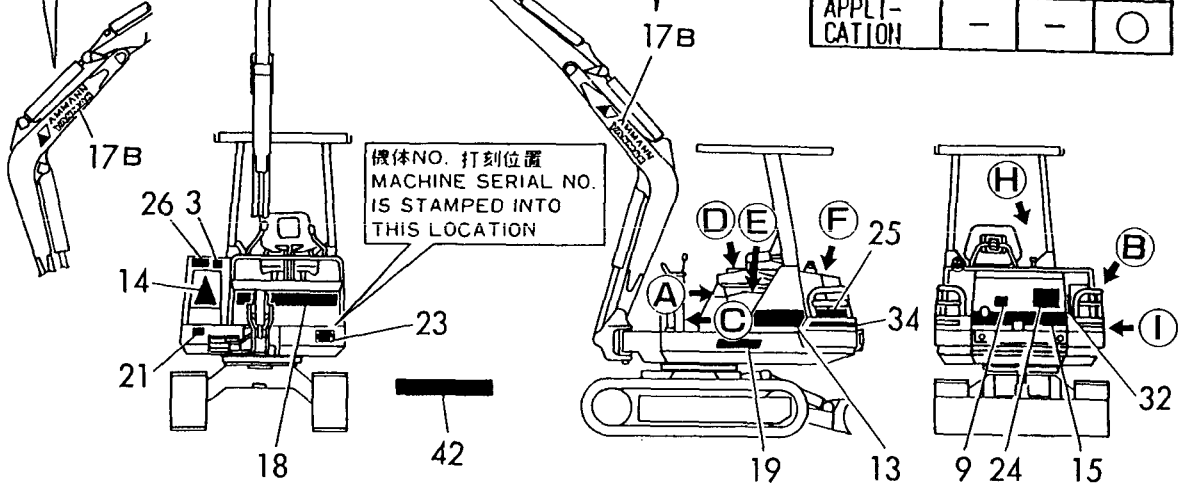
COUNTRY	AY	UK	EP
APPLI-CATION	○	-	-

36

COUNTRY	AY	UK	EP
APPLI-CATION	○	-	-

1 inc. 2~37

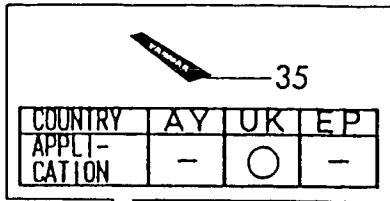
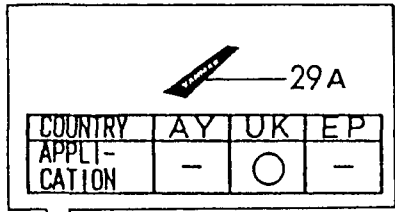
COUNTRY	AY	UK	EP
APPLI-CATION	-	-	○



1A,1,,772143-03700,, "LABEL ASSY" ,,,,1,,,,,,,,,,,,,
1B,1,,772143-03701,, "LABEL(UK) SET,CANOPY" ,,,,,,1,1,,,,,,,,,,,,,
2,2,,772143-03170,, "LABEL ASSY, ENGLISH" ,,,,,,1,1,2,,,,,,,,,,,,,
3,3,,172143-03310,, LABEL ,,,,1,1,,,,,,,,,,,,,
4,3,,172141-03450,, "LABEL, RESERVER(C)" ,,,,,,1,1,,,,,,,,,,,,,
5,3,,172141-03440,, LABEL ,,,,1,1,,,,,,,,,,,,,
6,3,,172141-03490,, "LABEL, PROTECTOR" ,,,,,,2,2,,,,,,,,,,,,,
7,3,,172141-03420,, "LABEL, GREASING" ,,,,,,1,1,,,,,,,,,,,,,
8,3,,172141-03430,, LABEL ,,,,1,1,,,,,,,,,,,,,
9,3,,172519-03770,, LABEL ,,,,1,1,,,,,,,,,,,,,
10,3,,172141-03470,, LABEL ,,,,1,1,,,,,,,,,,,,,
11,3,,172122-03740,, "LABEL, GREASE" ,,,,,,1,1,,,,,,,,,,,,,
12,3,,22857-300050,, "SCREW 3X 5" ,,,,,,4,4,,,,,,,,,,,,,
13,3,,172141-03460,, "LABEL, (D)" ,,,,,,1,1,,,,,,,,,,,,,
14,3,,933112-50300,, "LABEL, OIL FEED" ,,,,,,1,1,,,,,,,,,,,,,
15,3,,933112-52100,, "LABEL, FUEL" ,,,,,,1,1,,,,,,,,,,,,,
16,3,,172125-03950,, "LABEL, AIR CLEANER" ,,,,,,1,1,,,,,,,,,,,,,
17,3,,121120-44800,, "LABEL, RADIATOR" ,,,,,,1,1,,,,,,,,,,,,,
18,3,,124764-44920,, "LABEL, ANTI-FREEZING" ,,,,,,1,1,,,,,,,,,,,,,
19,3,,172122-03912,, LABEL ,,,,1,1,,,,,,,,,,,,,
20,3,,124764-44810,, "LABEL, SUB-TANK" ,,,,,,1,1,,,,,,,,,,,,,
21,2,,172141-03540,, LABEL ,,,,1,1,,,,,,,,,,,,,
22,2,,172141-03210,, "LABEL, SELECT" ,,,,,,1,1,,,,,,,,,,,,,
23,2,,172143-03260,, "LABEL, OPERATION" ,,,,,,1,1,,,,,,,,,,,,,
24,2,,172141-03271,, LABEL ,,,,1,1,,,,,,,,,,,,,
25,2,,172141-03281,, LABEL ,,,,1,1,,,,,,,,,,,,,
26,2,,172137-03290,, "LABEL, NO.1 MARK" ,,,,,,1,1,,,,,,,,,,,,,
27,2,,172141-03291,, "LABEL, STRIPE(REAR)" ,,,,,,1,1,,,,,,,,,,,,,
28,2,,172137-03300,, "LABEL, TURNING LOCK" ,,,,,,1,1,,,,,,,,,,,,,
29A,2,,172148-03230,, LABEL ,,,,1,,,,,,,,,,,,,
29B,2,,172142-03451,, "LABEL, BOOM" ,,,,,,2,,,,,,,,,,,,,
30,2,,172148-03140,, "LABEL, STRIPE(F)" ,,,,,,1,1,,,,,,,,,,,,,
31,2,,172141-03231,, LABEL ,,,,2,2,,,,,,,,,,,,,
32,2,,172141-03360,, "LABEL, START SWITCH" ,,,,,,1,1,,,,,,,,,,,,,
33,2,,172137-03780,, "LABEL, THROTTLE" ,,,,,,1,1,,,,,,,,,,,,,
34,2,,172141-03530,, LABEL ,,,,1,1,,,,,,,,,,,,,
35,2,,172148-03220,, LABEL ,,,,1,,,,,,,,,,,,,
36,2,,172141-03560,, LABEL ,,,,1,1,,,,,,,,,,,,,
37,2,,172141-03570,, LABEL ,,,,1,1,,,,,,,,,,,,,
38,2,,172141-03580,, LABEL ,,,,1,1,,,,,,,,,,,,,
39,1,,172141-03500,, "LABEL,ADJUST CRAWLER" ,,,,,,1,1,3,,,,,,,,,,,,,

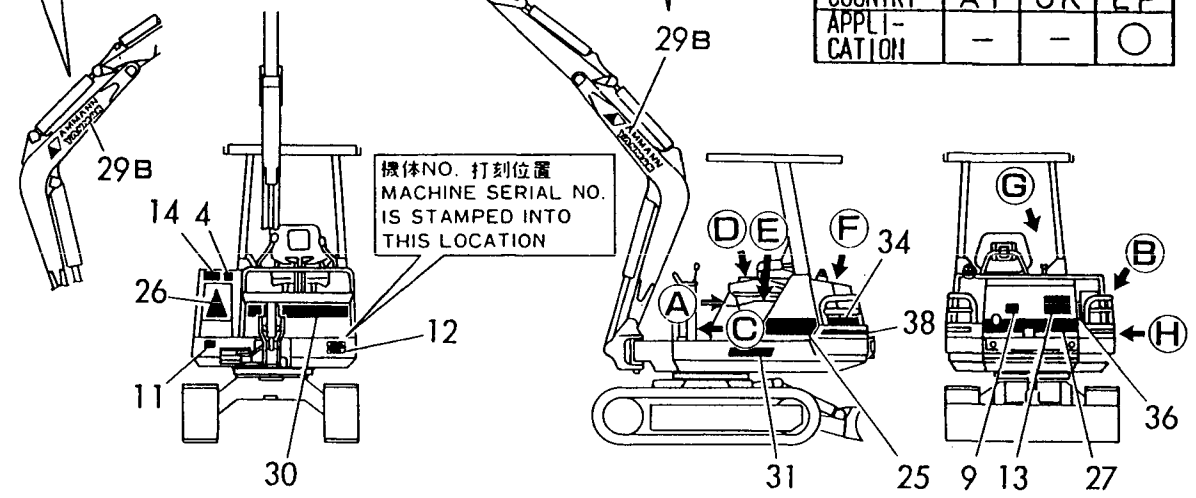
Fig. 2 メイバン(キャノピ) LABEL (CANOPY SPEC.)

COUNTRY	AY	UK	EP	UK(OPT)
Fig No.	1	2	1	3



1 inc.2~38
2 inc.3~20

COUNTRY	AY	UK	EP
APPLI-CATION	-	-	○



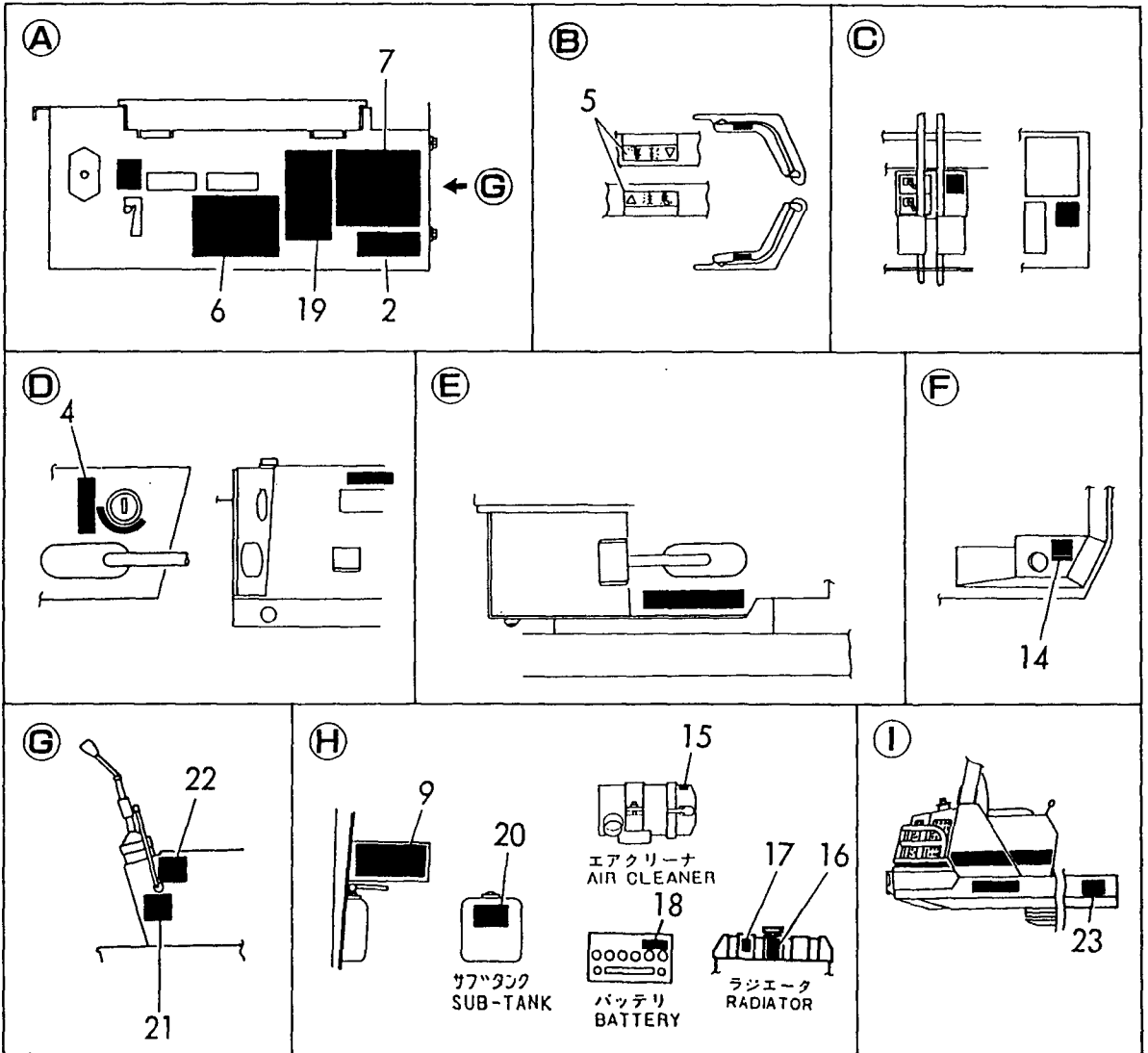
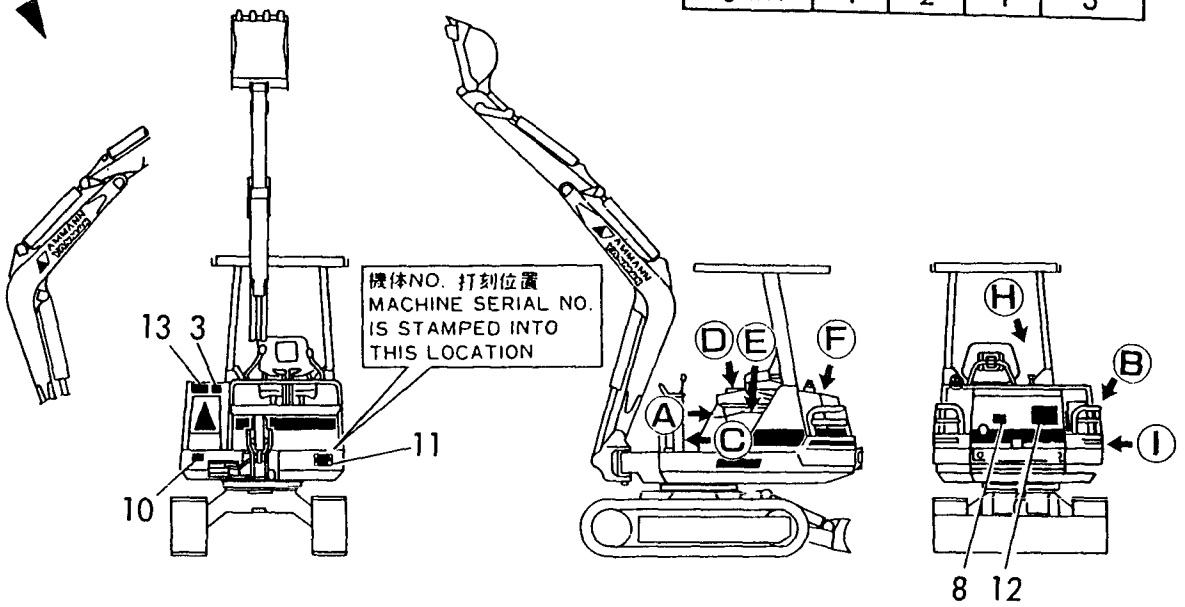
<p>(A)</p>	<p>(B)</p>	<p>(C)</p>
<p>(D)</p>	<p>(E)</p>	<p>(F)</p>
<p>(G)</p> <p>サブタンク SUB-TANK</p> <p>エアクリーナ AIR CLEANER</p> <p>バッテリー BATTERY</p> <p>ラジエータ RADIATOR</p>		<p>(H)</p>

1,1,,772143-03170,, "LABEL ASSY, ENGLISH",,,,1,,,,1,,,,,,,,,
2,2,,172143-03310,, LABEL,,,,,1,,,,,,,,,
3,2,,172141-03450,, "LABEL, RESERVER(C)",,,,1,,,,,,,,,
4,2,,172141-03440,, LABEL,,,,,1,,,,,,,,,
5,2,,172141-03490,, "LABEL, PROTECTOR",,,,2,,,,,,,,,
6,2,,172141-03420,, "LABEL, GREASING",,,,1,,,,,,,,,
7,2,,172141-03430,, LABEL,,,,,1,,,,,,,,,
8,2,,172519-03770,, LABEL,,,,,1,,,,,,,,,
9,2,,172141-03470,, LABEL,,,,,1,,,,,,,,,
10,2,,172122-03740,, "LABEL, GREASE",,,,1,,,,,,,,,
11,2,,22857-300050,, "SCREW 3X 5",,,,4,,,,,,,,,
12,2,,172141-03460,, "LABEL, (D)",,,,1,,,,,,,,,
13,2,,933112-50300,, "LABEL, OIL FEED",,,,1,,,,,,,,,
14,2,,933112-52100,, "LABEL, FUEL",,,,1,,,,,,,,,
15,2,,172125-03950,, "LABEL, AIR CLEANER",,,,1,,,,,,,,,
16,2,,121120-44800,, "LABEL, RADIATOR",,,,1,,,,,,,,,
17,2,,124764-44920,, "LABEL, ANTI-FREEZING",,,,1,,,,,,,,,
18,2,,172122-03912,, LABEL,,,,,1,,,,,,,,,
19,2,,124764-44810,, "LABEL, SUB-TANK",,,,1,,,,,,,,,
20,1,,172141-03500,, "LABEL,ADJUST CRAWLER",,,,1,,,,2,,,,,,,,,
21,1,,172143-03820,, "LABEL(LPA 82",,,,,,1,3,,,,,,,,,
22,1,,172125-03840,, "LABEL(LWA 96",,,,,,1,3,,,,,,,,,
23,1,,194340-65580,, LABEL,,1,,,,,3,,,,,,,,,

Fig. 3 メイバン(UKカイトウ)(オプション)
 LABEL (UK REMODELING)(OPTIONAL)

1 inc.2~20

COUNTRY	AY	UK	EP	UK(OPT)
Fig No.	1	2	1	3

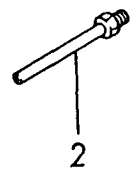
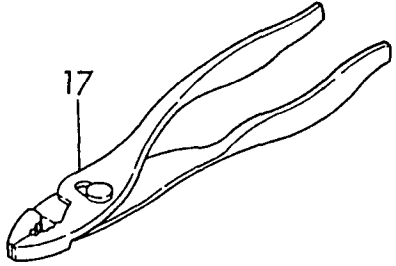
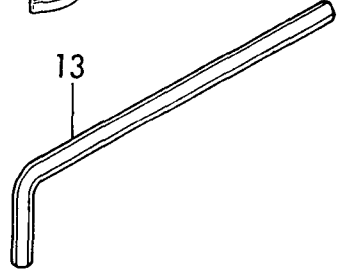
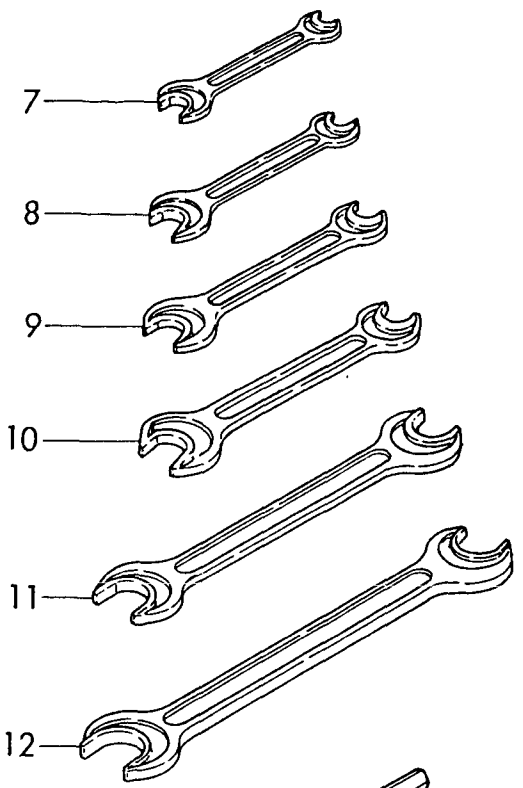
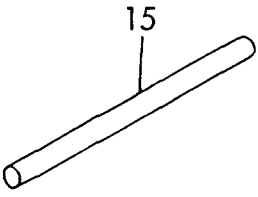
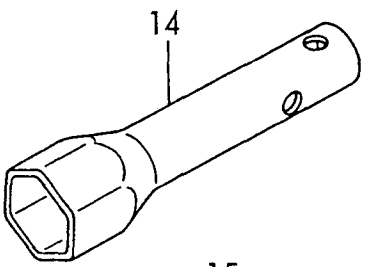
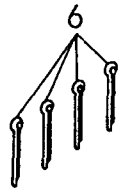
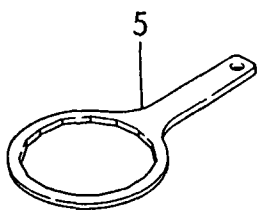
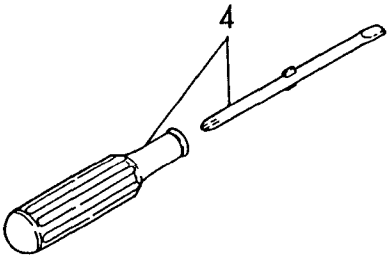
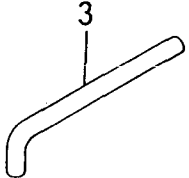
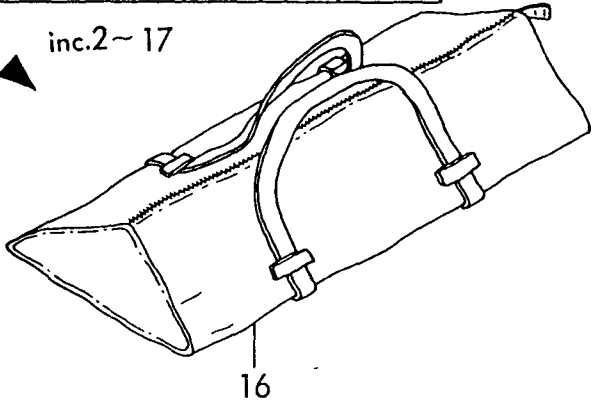


1,1,,772143-05110,, "TOOL ASSY" ,,,,,1,1,,,,,,,,,,,,,
2,2,,172122-05100,, NOZZLE ,,,,,1,1,,,,,,,,,,,,,
3,2,,172614-38300,, "PIN 5X45, LOCK" ,,,,,4,4,,,,,,,,,,,,,
4,2,,104200-92350,, "DRIVER, SCREW" ,,,,,1,1,,,,,,,,,,,,,
5,2,,171301-92750,, "WRENCH, L.O. FILTER" ,,,,,1,1,,,,,,,,,,,,,
6,2,,22417-800500,, "COTTER PIN 8.0X50" ,,,,,4,4,,,,,,,,,,,,,
7,2,,28110-080100,, "WRENCH 8X10" ,,,,,1,1,,,,,,,,,,,,,
8,2,,28110-120140,, "WRENCH 12X14" ,,,,,1,1,,,,,,,,,,,,,
9,2,,28110-170190,, "WRENCH 17X19" ,,,,,1,1,,,,,,,,,,,,,
10,2,,28110-220240,, "WRENCH 22X24" ,,,,,1,1,,,,,,,,,,,,,
11,2,,28110-270300,, "WRENCH 27X30" ,,,,,1,1,,,,,,,,,,,,,
12,2,,28110-320360,, "WRENCH 32X36" ,,,,,1,1,,,,,,,,,,,,,
13,2,,28150-080000,, "BAR WRENCH 8" ,,,,,1,1,,,,,,,,,,,,,
14,2,,28227-271400,, "BOX WRENCH 27X140" ,,,,,1,1,,,,,,,,,,,,,
15,2,,28230-120250,, "TURNING HANDLE" ,,,,,1,1,,,,,,,,,,,,,
16,2,,933110-90000,, "BAG, TOOL" ,,,,,1,1,,,,,,,,,,,,,
17,2,,933171-00470,, "PLIER (200)" ,,,,,1,1,,,,,,,,,,,,,

Fig. 4 コウダ
TOOL

COUNTRY	AY	UK	EP	UK(OPT)
Fig No.	5	5	4	—

1 inc.2~17

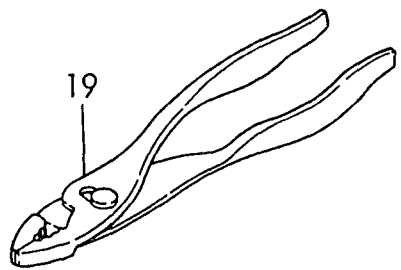
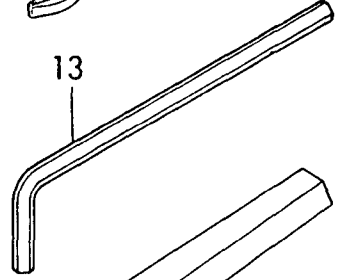
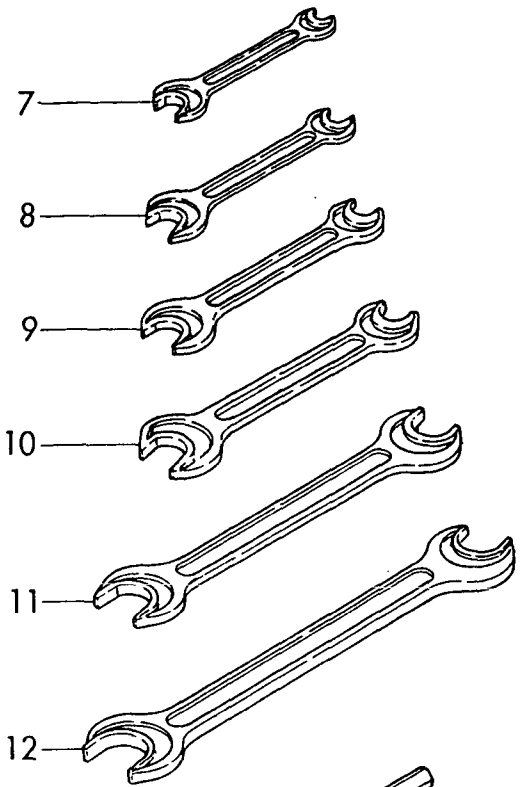
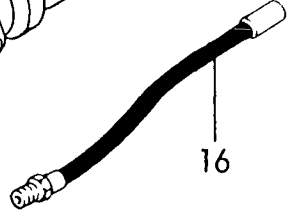
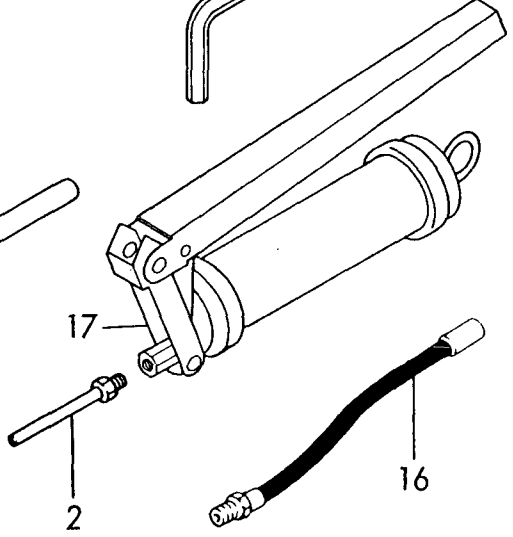
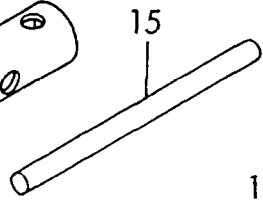
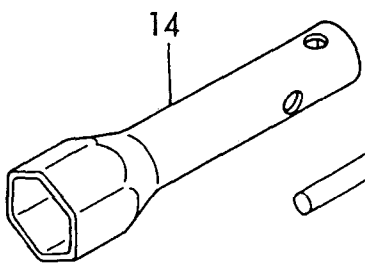
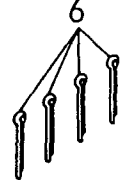
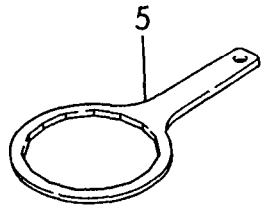
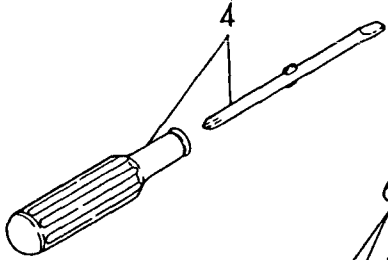
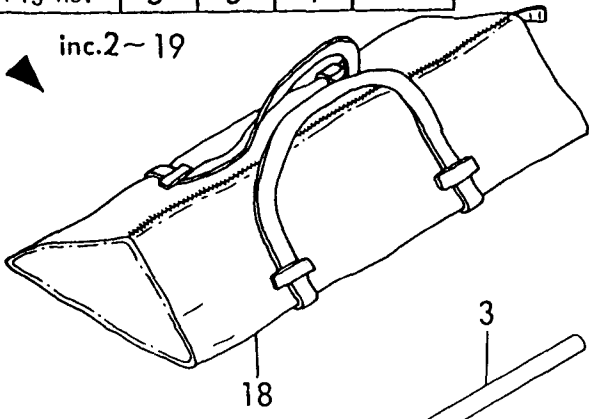


1,1,,772141-05100,, "TOOL SET",1,1,1,1,,,,,,,,,,,,,
2,2,,172122-05100,, NOZZLE,1,1,1,1,,,,,,,,,,,,,
3,2,,172614-38300,, "PIN 5X45, LOCK",4,4,4,4,,,,,,,,,,,,,
4,2,,104200-92350,, "DRIVER, SCREW",1,1,1,1,,,,,,,,,,,,,
5,2,,171301-92750,, "WRENCH, L.O. FILTER",1,1,1,1,,,,,,,,,,,,,
6,2,,22417-800500,, "COTTER PIN 8.0X50",4,4,4,4,,,,,,,,,,,,,
7,2,,28110-080100,, "WRENCH 8X10",1,1,1,1,,,,,,,,,,,,,
8,2,,28110-120140,, "WRENCH 12X14",1,1,1,1,,,,,,,,,,,,,
9,2,,28110-170190,, "WRENCH 17X19",1,1,1,1,,,,,,,,,,,,,
10,2,,28110-220240,, "WRENCH 22X24",1,1,1,1,,,,,,,,,,,,,
11,2,,28110-270300,, "WRENCH 27X30",1,1,1,1,,,,,,,,,,,,,
12,2,,28110-320360,, "WRENCH 32X36",1,1,1,1,,,,,,,,,,,,,
13,2,,28150-080000,, "BAR WRENCH 8",1,1,1,1,,,,,,,,,,,,,
14,2,,28227-271400,, "BOX WRENCH 27X140",1,1,1,1,,,,,,,,,,,,,
15,2,,28230-120250,, "TURNING HANDLE",1,1,1,1,,,,,,,,,,,,,
16,2,,933110-09700,, "HOSE, GREASE",1,1,1,1,,,,,,,,,,,,,
17,2,,933110-09800,, "GUN 800, GREASE",1,1,1,1,,,,,,,,,,,,,
18,2,,933110-90000,, "BAG, TOOL",1,1,1,1,,,,,,,,,,,,,
19,2,,933171-00470,, "PLIER (200)",1,1,1,1,,,,,,,,,,,,,

Fig. 5 コウグ
TOOL

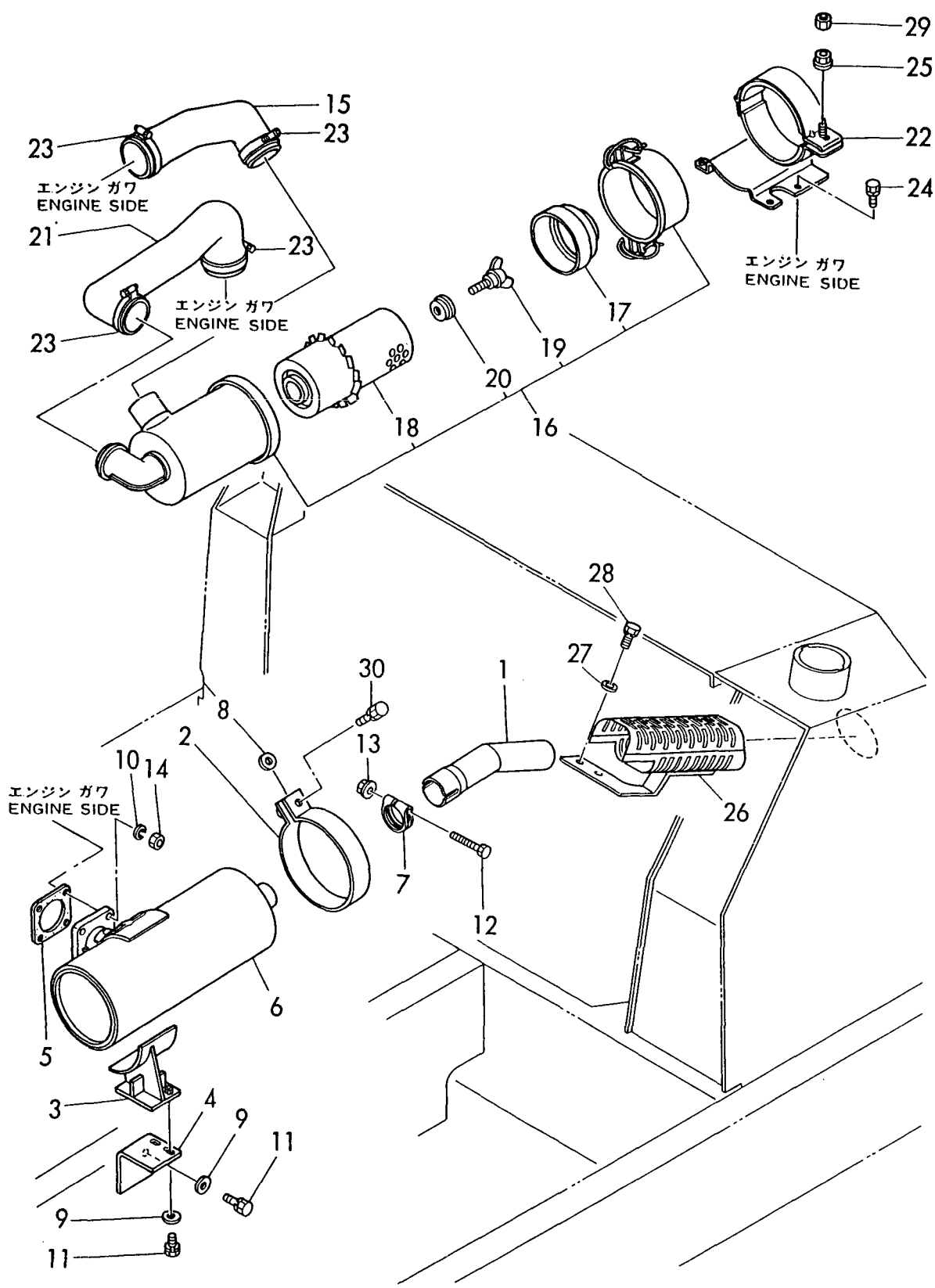
COUNTRY	AY	UK	EP	UK(OPT)
Fig No.	5	5	4	—

1 inc.2~19



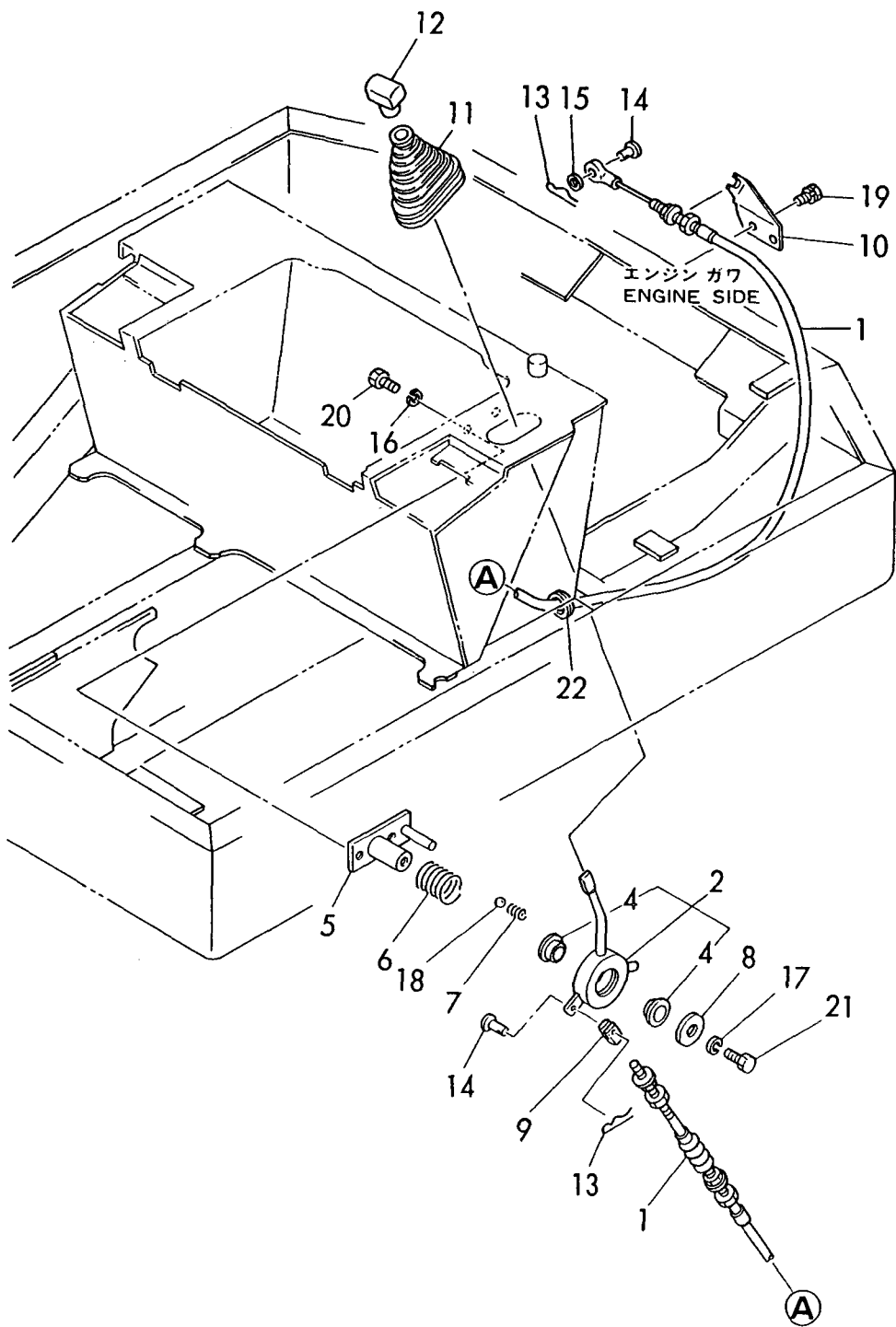
1,1,,172141-11300,, "PIPE, EXHAUST",1,1,1,1,1,1,,,,,,,,,,,,,
2,1,,172519-11350,, "BAND, SILENCER",1,1,1,1,1,1,,,,,,,,,,,,,
3,1,,172141-11400,, "SUPPORT, SILENCER",1,1,1,1,1,1,,,,,,,,,,,,,
4,1,,172141-11470,, "STAY, SILENCER",1,1,1,1,1,1,,,,,,,,,,,,,
5,1,,124701-11910,, "GASKET, SILENCER",1,1,1,1,,,,,,,,,,,,,
5-1,1,,124701-11911,, "GASKET, (NON-ASB.)",1,1,1,1,1,1,N,,TE-90034,*1990.06,TE-
90034,*1990.06,TE-90034,*1990.06,TE-90034,*1990.06,,,,,I
6,1,,119831-13500,, "SILENCER",1,1,1,1,1,1,,,,,,,,,,,,,
7,1,,124664-13580,, "CLAMP",1,1,1,1,1,1,,,,,,,,,,,,,
8,1,,172112-42090,, "WASHER, STOPPER",1,1,1,1,1,1,,,,,,,,,,,,,
9,1,,22137-080000,, "WASHER 8, POLISHED",4,4,4,4,4,4,,,,,,,,,,,,,
10,1,,22217-080000,, "SPRING WASHER 8",4,4,4,4,4,4,,,,,,,,,,,,,
11,1,,26013-080252,, "BOLT M 8X 25",4,4,4,4,4,4,,,,,,,,,,,,,
12,1,,26106-080552,, "BOLT M 8X 55 PLATED",1,1,1,1,1,1,,,,,,,,,,,,,
13,1,,26366-080002,, "NUT M 8",1,1,1,1,1,1,,,,,,,,,,,,,
14,1,,26716-080002,, "NUT M 8",4,4,4,4,4,4,,,,,,,,,,,,,
15,1,,172141-11500,, "HOSE, SUCTION",1,1,1,1,1,1,,,,,,,,,,,,,
16,1,,119831-12500,, "CLEANER ASSY, AIR",1,1,1,1,1,1,,,,,,,,,,,,,
17,2,,121465-12700,, "RETAINER",1,1,1,1,1,1,,,,,,,,,,,,,
18,2,,121465-12510,, "ELEMENT, AIR CLEANER",1,1,1,1,1,1,,,,,,,,,,,,,
19,2,,124064-12680,, "BOLT, WING",1,1,1,1,1,1,,,,,,,,,,,,,
20,2,,124064-12690,, "WASHER",1,1,1,1,1,1,,,,,,,,,,,,,
21,1,,119831-12550,, "PIPE, SUCTION",1,1,1,1,1,1,,,,,,,,,,,,,
22,1,,119831-12560,, "SUPPORT,AIR CLEANER",1,1,1,1,1,1,,,,,,,,,,,,,
23,1,,23000-060000,, "CLAMP 60",4,4,4,4,4,4,,,,,,,,,,,,,
24,1,,26106-080162,, "BOLT M 8X 16 PLATED",3,3,3,3,3,3,,,,,,,,,,,,,
25,1,,26366-080002,, "NUT M 8",1,1,1,1,1,1,,,,,,,,,,,,,
26,1,,172141-11310,, "COVER",1,1,1,1,1,1,,,,,,,,,,,,,
27,1,,22137-100000,, "WASHER 10,POLISHED",2,2,2,2,2,2,,,,,,,,,,,,,
28,1,,26013-100202,, "BOLT W/WASHER M10X20",2,2,2,2,2,2,,,,,,,,,,,,,
29,1,,26716-080002,, "NUT M 8",1,1,1,1,1,1,,,,,,,,,,,,,
30,1,,26103-100302,, "BOLT M10X 30",1,1,1,1,1,1,,,,,,,,,,,,,I

Fig. 6 エアクリーナ&サイレンサ
AIR CLEANER & SILENCER



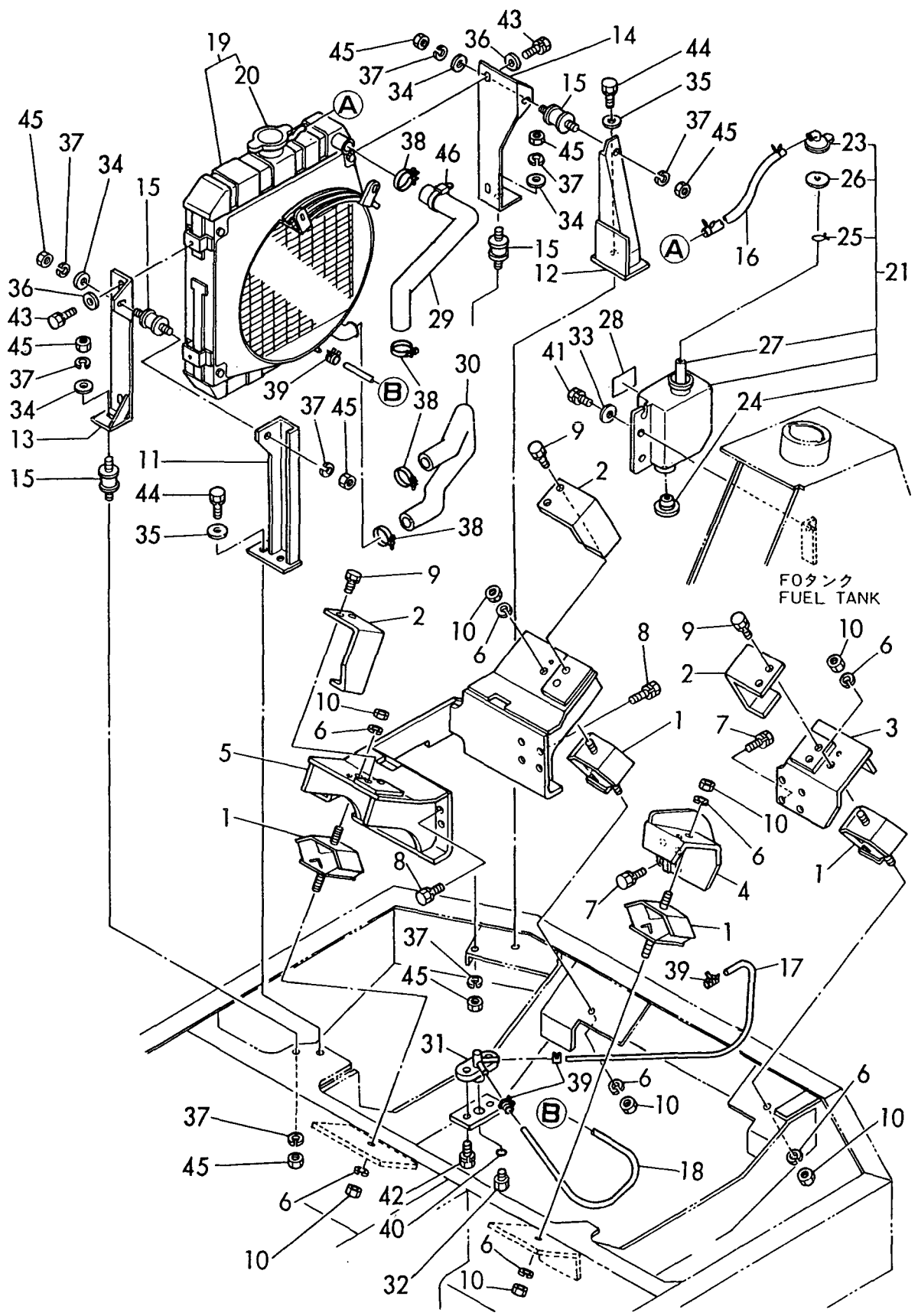
1,1,,172137-12110,, "CABLE, THROTTLE",1,1,1,1,1,1,,,,,,,,,,,,,
2,1,,172142-12150,, "LEVER W/BUSH,ACCEL T",1,1,1,1,1,1,,,,,,,,,,,,,
4,2,,172141-12220,, "BUSH 30X10",2,2,2,2,2,2,,,,,,,,,,,,,
5,1,,172141-12160,, BRACKET,1,1,1,1,1,1,,,,,,,,,,,,,
6,1,,172141-12232,, SPRING,1,1,1,1,1,1,,,,,,,,,,,,,
7,1,,172141-12240,, SPRING,1,1,1,1,1,1,,,,,,,,,,,,,
8,1,,172141-12250,, PLATE,1,1,1,1,1,1,,,,,,,,,,,,,
9,1,,172137-12270,, "JOINT, CABLE",1,1,1,1,1,1,,,,,,,,,,,,,
10,1,,172141-12280,, "CLAMP, ACCEL WIRE",1,1,1,1,1,1,,,,,,,,,,,,,
11,1,,172141-41340,, BOOTS,1,1,1,1,1,1,,,,,,,,,,,,,
12,1,,172122-46630,, "KNOB(D), LEVER",1,1,1,1,1,1,,,,,,,,,,,,,
13,1,,1C6281-52310,, "PIN 6,COME-OFF SNAP",2,2,2,2,2,2,,,,,,,,,,,,,
14,1,,1A1040-56900,, "PIN 6X 17",2,2,2,2,2,2,,,,,,,,,,,,,
15,1,,22137-060000,, "WASHER 6, POLISHED",1,1,1,1,1,1,,,,,,,,,,,,,
16,1,,22217-100000,, "SPRING WASHER 10",2,2,2,2,2,2,,,,,,,,,,,,,
17,1,,22217-100000,, "SPRING WASHER 10",1,1,1,1,1,1,,,,,,,,,,,,,
18,1,,24190-160001,, "BALL 1/2",1,1,1,1,1,1,,,,,,,,,,,,,
19,1,,26013-080162,, "BOLT W/WASHER M8X16",2,2,2,2,2,2,,,,,,,,,,,,,
20,1,,26116-100202,, "BOLT M10X 20 PLATED",2,2,2,2,2,2,,,,,,,,,,,,,
21,1,,26116-100302,, "BOLT M10X 30 PLATED",1,1,1,1,1,1,,,,,,,,,,,,,
22,1,,933171-15680,, "GROMMET 40X13",1,1,1,1,1,1,,,,,,,,,,,,,

Fig. 7 アクセル
ACCELERATOR



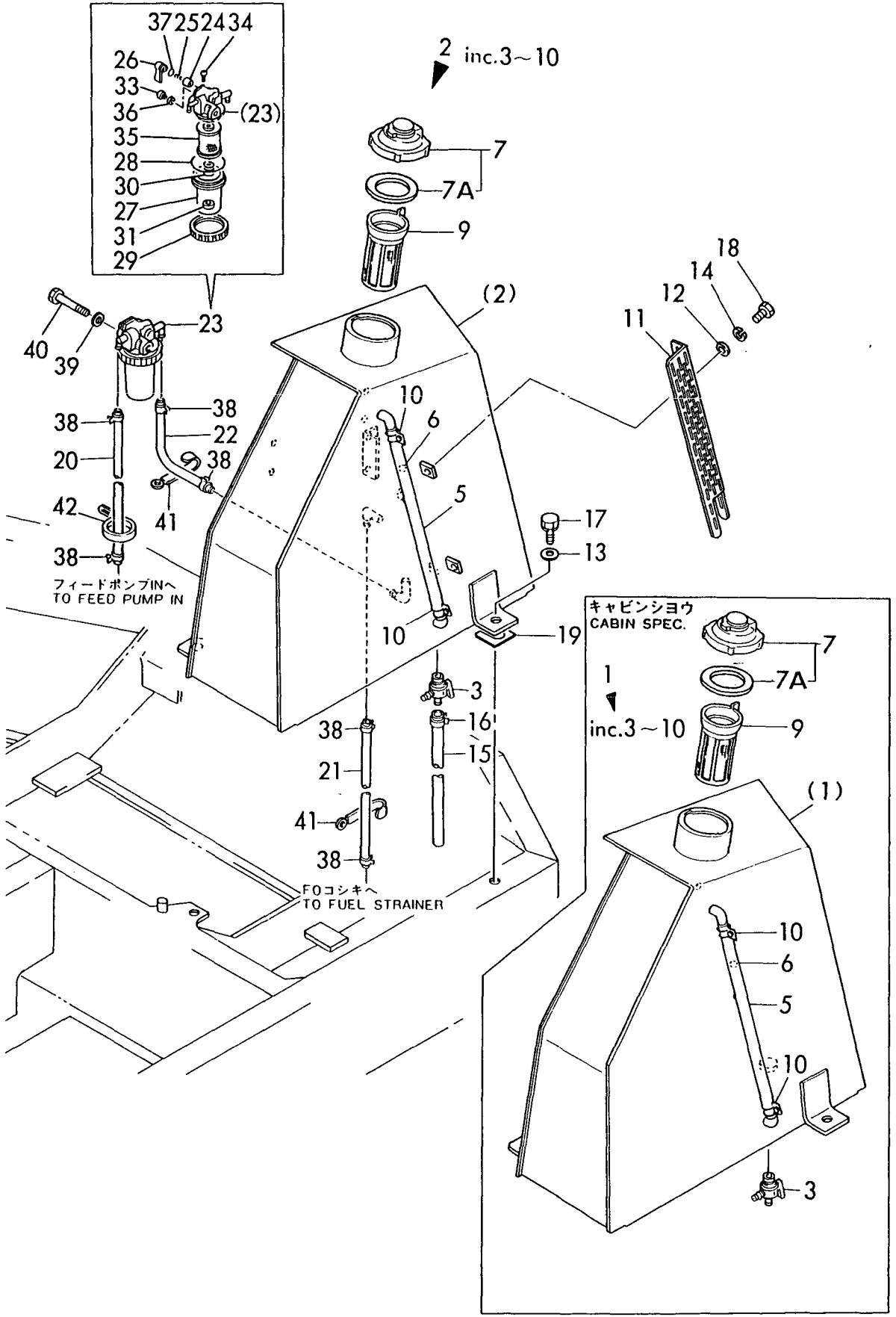
1,1,,196420-02310,, "ABSORBER, SHOCK",4,4,4,4,4,4,,,,,,,,,,,,,
2,1,,172141-13010,, "STOPER, ENGINE",3,3,3,3,3,3,,,,,,,,,,,,,
3,1,,172141-13030,, "BRACKET(L.R), ENGINE",1,1,1,1,1,1,,,,,,,,,,,,,
4,1,,172141-13271,, "BRACKET(L.F), ENGINE",1,1,1,1,1,1,,,,,,,,,,,,,
5,1,,172141-13100,, "BRACKET(R), ENGINE",1,1,1,1,1,1,,,,,,,,,,,,,
6,1,,22217-120000,, "WASHER 12,SPRING",8,8,8,8,8,8,,,,,,,,,,,,,
7,1,,26013-100252,, "BOLT M10X 25",8,8,8,8,8,8,,,,,,,,,,,,,
8,1,,26013-120252,, "BOLT M12X 25",8,8,8,8,8,8,,,,,,,,,,,,,
9,1,,26013-120302,, "BOLT W/WASHER M12X30",6,6,6,6,6,6,,,,,,,,,,,,,
10,1,,26716-120002,, "NUT M12",8,8,8,8,8,8,,,,,,,,,,,,,
11,1,,172141-13300,, "MOUNT(F), RADIATOR",1,1,1,1,1,1,,,,,,,,,,,,,
12,1,,172141-13340,, "MOUNT(R), RADIATOR",1,1,1,1,1,1,,,,,,,,,,,,,
13,1,,172141-13410,, "BRACKET(F), RADIATOR",1,1,1,1,1,1,,,,,,,,,,,,,
14,1,,172141-13420,, "BRACKET(R), RADIATOR",1,1,1,1,1,1,,,,,,,,,,,,,
15,1,,172124-13500,, "MOUNT, RADIATOR",4,4,4,4,4,4,,,,,,,,,,,,,
16,1,,172141-13500,, "HOSE, SUB-TANK",1,1,1,1,1,1,,,,,,,,,,,,,
17,1,,172137-13430,, "PIPE (B), DRAIN",1,1,1,1,1,1,,,,,,,,,,,,,
18,1,,172124-14650,, "HOSE L=1100, FUEL",1,1,1,1,1,1,,,,,,,,,,,,,
19,1,,119831-44500,, "RADIATOR",1,1,1,1,1,1,,,,,,,,,,,,,
20,2,,124450-44590,, "CAP, RADIATOR",1,1,1,1,1,1,,,,,,,,,,,,,
21,1,,121468-44510,, "SUB-TANK ASSY",1,1,1,1,1,1,,,,,,,,,,,,,
23,2,,121450-44531,, "CAP",1,1,1,1,1,1,,,,,,,,,,,,,
24,2,,121468-44540,, "PLUG, SUB-TANK",1,1,1,1,1,1,,,,,,,,,,,,,
25,2,,124450-44560,, "CLAMP",1,1,1,1,1,1,,,,,,,,,,,,,
26,2,,121470-44581,, "GASKET",1,1,1,1,1,1,,,,,,,,,,,,,
27,2,,23065-070130,, "PIPE 7X 130",1,1,1,1,1,1,,,,,,,,,,,,,
28,1,,121470-44540,, "LABEL, SUB-TANK",1,1,1,1,1,1,,,,,,,,,,,,,
29,1,,119280-49010,, "PIPE A",1,1,1,1,1,1,,,,,,,,,,,,,
30,1,,171301-49020,, "PIPE (B), C. WATER",1,1,1,1,1,1,,,,,,,,,,,,,
31,1,,172124-13440,, "COCK",1,1,1,1,1,1,,,,,,,,,,,,,
32,1,,172124-13450,, "PLUG",1,1,1,1,1,1,,,,,,,,,,,,,
33,1,,22137-060000,, "WASHER 6, POLISHED",2,2,2,2,2,2,,,,,,,,,,,,,
34,1,,22137-080000,, "WASHER 8, POLISHED",4,4,4,4,4,4,,,,,,,,,,,,,
35,1,,22137-080000,, "WASHER 8, POLISHED",4,4,4,4,4,4,,,,,,,,,,,,,
36,1,,22137-080000,, "WASHER 8, POLISHED",4,4,4,4,4,4,,,,,,,,,,,,,
37,1,,22217-080000,, "SPRING WASHER 8",8,8,8,8,8,8,,,,,,,,,,,,,
38,1,,23010-038000,, "CLAMP 38",4,4,4,4,4,4,,,,,,,,,,,,,
39,1,,23080-012000,, "CLAMP 12",4,4,4,4,4,4,,,,,,,,,,,,,
40,1,,24311-000160,, "O-RING 1A P-16.0",1,1,1,1,1,1,,,,,,,,,,,,,
41,1,,26013-060162,, "BOLT M 6X 16",2,2,2,2,2,2,,,,,,,,,,,,,
42,1,,26013-080162,, "BOLT W/WASHER M8X16",2,2,2,2,2,2,,,,,,,,,,,,,
43,1,,26013-080202,, "BOLT W/WASHER M8X20",4,4,4,4,4,4,,,,,,,,,,,,,
44,1,,26013-080252,, "BOLT M 8X 25",4,4,4,4,4,4,,,,,,,,,,,,,
45,1,,26716-080002,, "NUT M 8",8,8,8,8,8,8,,,,,,,,,,,,,
46,1,,933152-09280,, "BAND 170",2,2,2,2,2,2,,,,,,,,,,,,,

Fig. 8 エンジンマウント & ラジエータ
ENGINE MOUNT & RADIATOR



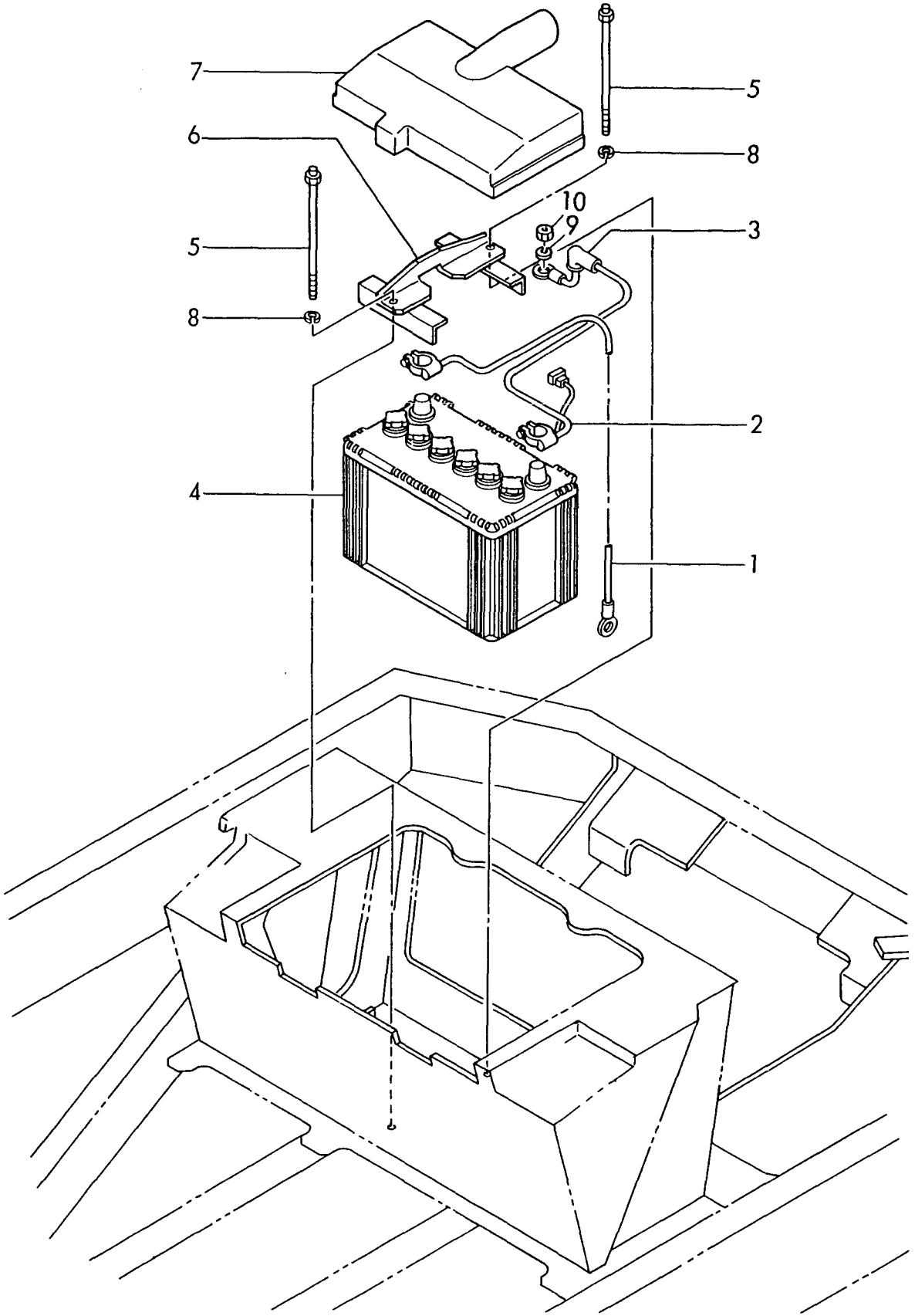
1,1,,772141-14100,, "TANK ASSY, FUEL",1,,1,,1,,,,,,,,,,,,,
2,1,,772141-14110,, "FUEL TANK ASSY",,1,,1,,1,,,,,,,,,,,,,
3,2,,104200-11920,, COCK,1,1,1,1,1,1,1,,,,,,,,,,,,,
5,2,,172141-14250,, "GAUGE, FUEL",1,1,1,1,1,1,1,,,,,,,,,,,,,
6,2,,172141-14260,, FLOAT,1,1,1,1,1,1,1,,,,,,,,,,,,,
7,2,,172122-14300,, "CAP, FUEL TANK",1,1,1,1,1,1,1,,,,,,,,,,,,,
7A,3,,105430-55070,, GASKET,1,1,1,1,1,1,1,,,,,,,,,,,,,
9,2,,101504-55101,, "STRAINER, FUEL INLET",1,1,1,1,1,1,1,,,,,,,,,,,,,
10,2,,23010-014000,, "CLAMP 14",2,2,2,2,2,2,2,,,,,,,,,,,,,
11,1,,172141-14330,, "PROTECTOR, GAUGE",,1,,1,,1,,,,,,,,,,,,,
12,1,,22137-080000,, "WASHER 8, POLISHED",,2,,2,,2,,,,,,,,,,,,,
13,1,,22137-120000,, "WASHER 12, POLISHED",3,3,3,3,3,3,3,,,,,,,,,,,,,
14,1,,22217-080000,, "SPRING WASHER 8",,2,,2,,2,,,,,,,,,,,,,
15,1,,23061-100230,, "PIPE 10X 230",1,1,1,1,1,1,1,,,,,,,,,,,,,
16,1,,23080-013000,, "CLAMP 13, HOSE",1,1,1,1,1,1,1,,,,,,,,,,,,,
17,1,,26013-120352,, "BOLT M12X 35",3,3,3,3,3,3,3,,,,,,,,,,,,,
18,1,,26116-080162,, "BOLT M 8X 16 PLATED",,2,,2,,2,,,,,,,,,,,,,
19,1,,933169-22940,, "SPACER, RESERVOIR",1,1,1,1,1,1,1,,,,,,,,,,,,,
20,1,,172137-13430,, "PIPE (B), DRAIN",1,1,1,1,1,1,1,,,,,,,,,,,,,
21,1,,172116-14620,, "PIPE (B), FUEL",1,1,1,1,1,1,1,,,,,,,,,,,,,
22,1,,172141-14620,, "HOSE, FUEL",1,1,1,1,1,1,1,,,,,,,,,,,,,
23,1,,129335-55700,, "SEPARATOR, WATER",1,1,1,1,1,1,1,,,,,,,,,,,,,
24,2,,104200-55321,, "VALVE, TAPER",1,1,1,1,1,1,1,,,,,,,,,,,,,
25,2,,104200-55330,, "SPRING, TAPER VALVE",1,1,1,1,1,1,1,,,,,,,,,,,,,
26,2,,104200-55341,, "HANDLE, COCK",1,1,1,1,1,1,1,,,,,,,,,,,,,
27,2,,124064-55510,, "BOWL, FUEL STRAINER",1,1,1,1,1,1,1,,,,,,,,,,,,,
28,2,,102103-55520,, O-RING,1,1,1,1,1,1,1,,,,,,,,,,,,,
29,2,,110250-55610,, "RING, RETAINING",1,1,1,1,1,1,1,,,,,,,,,,,,,
30,2,,121257-55720,, "SPRING, SCREEN",1,1,1,1,1,1,1,,,,,,,,,,,,,
31,2,,121257-55731,, FLOAT,1,1,1,1,1,1,1,,,,,,,,,,,,,
33,2,,101720-55750,, "PLUG 6",2,2,2,2,2,2,2,,,,,,,,,,,,,
34,2,,104200-55750,, "SCREW M 4",1,1,1,1,1,1,1,,,,,,,,,,,,,
35,2,,171081-55910,, SCREEN,1,1,1,1,1,1,1,,,,,,,,,,,,,
36,2,,23418-060000,, "GASKET 6, NYLON",2,2,2,2,2,2,2,,,,,,,,,,,,,
37,2,,24311-240100,, "O-RING 1A P-10A",1,1,1,1,1,1,1,,,,,,,,,,,,,
38,1,,124766-59050,, "CLAMP 12",6,6,6,6,6,6,6,,,,,,,,,,,,,
39,1,,22137-080000,, "WASHER 8, POLISHED",1,1,1,1,1,1,1,,,,,,,,,,,,,
40,1,,26116-080652,, "BOLT M 8X 65 PLATED",1,1,1,1,1,1,1,,,,,,,,,,,,,
41,1,,172126-16540,, "CLAMP 10X70",2,2,2,2,2,2,2,,,,,,,,,,,,,
42,1,,933152-09280,, "BAND 170",1,1,1,1,1,1,1,,,,,,,,,,,,,

Fig. 9 FOタンク&FOパイプ
FUEL TANK & FUEL LINE



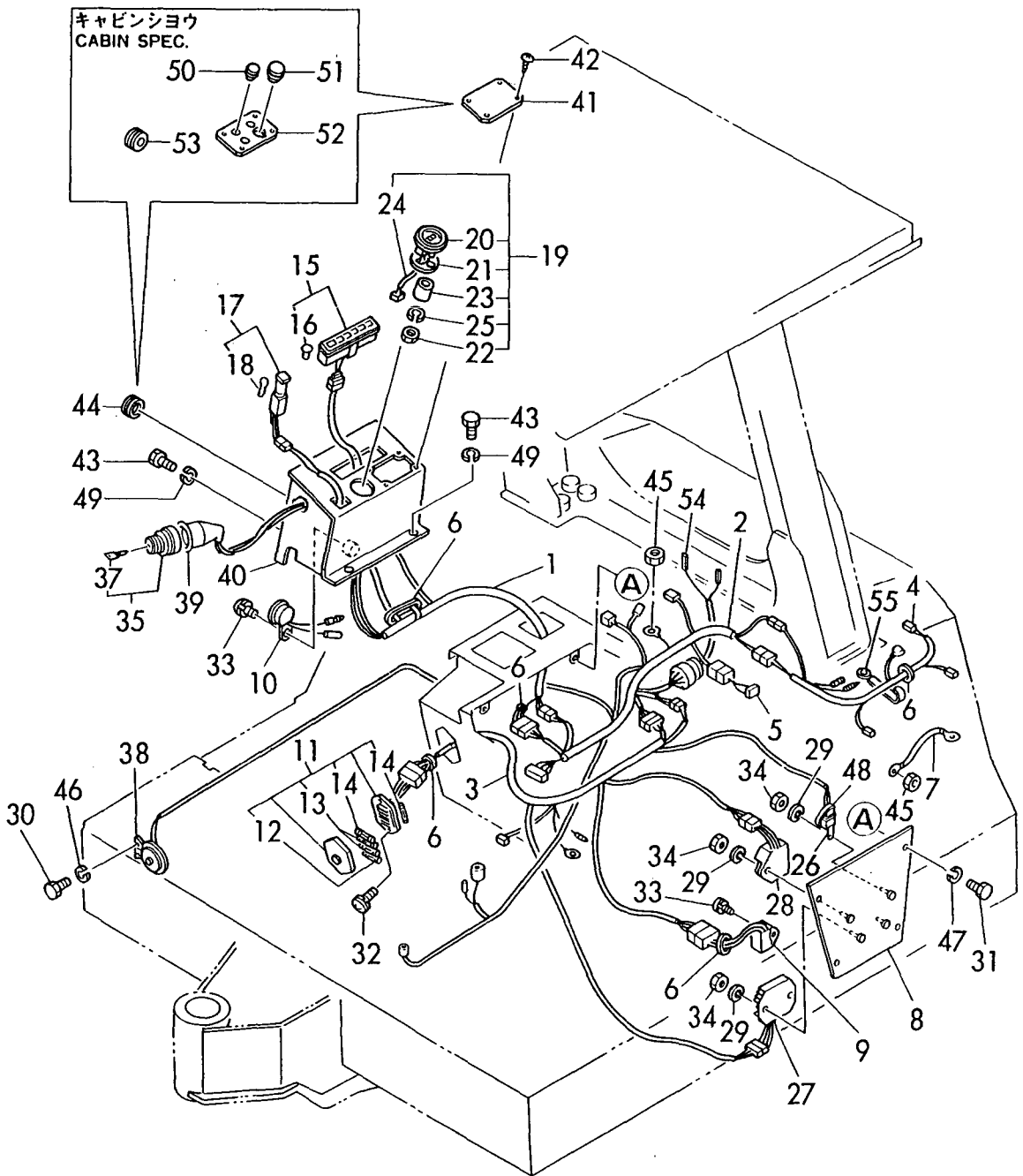
1,1,,172141-16140,, "HARNESS, BATTERY(-)",1,1,1,1,1,1,,,,,,,,,,,,,
2,1,,172141-16160,, "HARNESS, BATTERY(+)",1,1,1,1,1,1,,,,,,,,,,,,,
3,1,,124550-77030,, "COVER, TERMINAL",1,1,1,1,1,1,,,,,,,,,,,,,
4,1,,933113-01500,, "BATTERY (N70Z)",1,1,1,1,1,1,,,,,,,,,,,,,
5,1,,172310-16080,, "BOLT, BATTERY",2,2,2,2,2,2,,,,,,,,,,,,,
6,1,,172141-16110,, "CLAMP, BATTERY",1,1,1,1,1,1,,,,,,,,,,,,,
7,1,,172141-16130,, "COVER, BATTERY",1,1,1,1,1,1,,,,,,,,,,,,,
8,1,,22217-080000,, "SPRING WASHER 8",2,2,2,2,2,2,,,,,,,,,,,,,
9,1,,22217-080000,, "SPRING WASHER 8",1,1,1,1,1,1,,,,,,,,,,,,,
10,1,,26716-080002,, "NUT M 8",1,1,1,1,1,1,,,,,,,,,,,,,

Fig. 10 バッテリー BATTERY



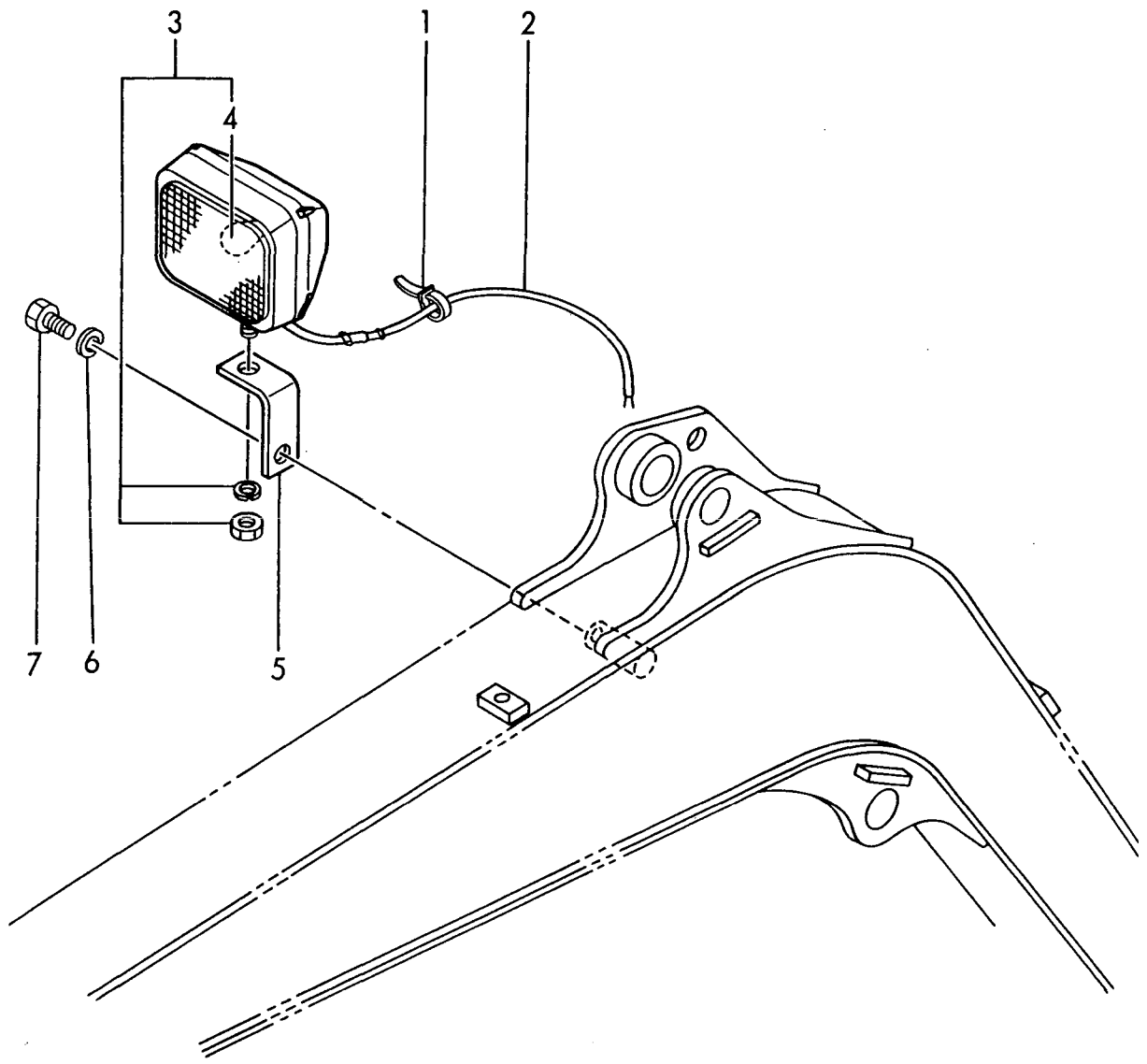
1,1,,172142-16500,, "HARNESS(A), WIRE",1,1,1,1,1,1,,,,,,,,,,,,,
2,1,,172141-16521,, "HARNESS(B), WIRE",1,1,1,1,1,1,,,,,,,,,,,,,
3,1,,172141-16541,, "HARNESS(D), WIRE",1,1,1,1,1,1,,,,,,,,,,,,,
4,1,,172141-16550,, "HARNESS(E), WIRE",1,1,1,1,1,1,,,,,,,,,,,,,
5,1,,172122-16570,, "LINK, FUSIBLE",1,1,1,1,1,1,,,,,,,,,,,,,
6,1,,933168-55770,, "BAND 146",5,5,5,5,5,5,,,,,,,,,,,,,
7,1,,933171-15801,, "WIRE, EARTH",1,1,1,1,1,1,,,,,,,,,,,,,
8,1,,172141-17110,, "PLATE",1,1,1,1,1,1,,,,,,,,,,,,,
9,1,,172141-17141,, "UNIT, CHECKER",1,1,1,1,1,1,,,,,,,,,,,,,
10,1,,172141-17150,, "BUZZER",1,1,1,1,1,1,,,,,,,,,,,,,
11,1,,172141-17160,, "BOX, FUSE",1,1,1,1,1,1,,,,,,,,,,,,,
12,2,,29411-050000,, "FUSE (5A), CARTRIDGE",1,1,1,1,1,1,,,,,,,,,,,,,
13,2,,29411-100000,, "FUSE (10A), CARTRIDGE",2,2,2,2,2,2,,,,,,,,,,,,,
14,2,,29411-150000,, "FUSE (15A), CARTRIDGE",2,2,2,2,2,2,,,,,,,,,,,,,
15,1,,172141-17171,, "BOX, PILOT",1,1,1,1,1,1,,,,,,,,,,,,,
16,2,,933113-05120,, "BULB 12V 1.7W",3,3,3,3,3,3,,,,,,,,,,,,,
17,1,,172141-17190,, "SWITCH, WORK LAMP",1,1,1,1,1,1,,,,,,,,,,,,,
18,2,,933113-05120,, "BULB 12V 1.7W",1,1,1,1,,,,,,,,,,,,,
18-1,2,,172141-17230,, "BULB 24V-
6W",1,1,1,1,1,1,N,,72141361,M11343,72141361,M11343,72141361,M11343,72141361,M113
43,,,,,I
19,1,,172147-17200,, "METER, HOUR",1,1,1,1,1,1,,,,,,,,,,,,,
20,2,,172147-17210,, "CASE, HOUR METER",1,1,1,1,1,1,,,,,,,,,,,,,
21,2,,172147-17220,, "CAP, HOUR METER",1,1,1,1,1,1,,,,,,,,,,,,,
22,2,,172147-17230,, "NUT",2,2,2,2,2,2,,,,,,,,,,,,,
23,2,,172147-17240,, "SLEEVE",2,2,2,2,2,2,,,,,,,,,,,,,
24,2,,172147-17250,, "WIRE, LEAD",1,1,1,1,1,1,,,,,,,,,,,,,
25,2,,22217-050000,, "SPRING WASHER 5",2,2,2,2,2,2,,,,,,,,,,,,,
26,1,,121522-77101,, "RELAY",1,1,1,1,1,1,,,,,,,,,,,,,
27,1,,119640-77711,, "LIMITER, CURRENT",1,1,1,1,1,1,,,,,,,,,,,,,
28,1,,121522-77721,, "INDICATOR, CHARGING",1,1,1,1,1,1,,,,,,,,,,,,,
29,1,,22217-060000,, "SPRING WASHER 6",4,4,4,4,4,4,,,,,,,,,,,,,
30,1,,26116-060122,, "BOLT M 6X 12",2,2,2,2,2,2,,,,,,,,,,,,,
31,1,,26116-100162,, "BOLT M10X 16 PLATED",4,4,4,4,4,4,,,,,,,,,,,,,
32,1,,26022-050162,, "SCREW M 5X 16",2,2,2,2,2,2,,,,,,,,,,,,,
33,1,,26022-060122,, "SCREW M 6X 12",2,2,2,2,2,2,,,,,,,,,,,,,
34,1,,26716-060002,, "NUT M 6",4,4,4,4,4,4,,,,,,,,,,,,,
35,1,,933110-00100,, "SWITCH ASSY, STARTER",1,1,1,1,1,1,,,,,,,,,,,,,
37,2,,933110-00301,, "KEY ASSY",1,1,1,1,1,1,,,,,,,,,,,,,
38,1,,933110-05300,, "HORN",1,1,1,1,1,1,,,,,,,,,,,,,
39,1,,933113-15900,, "COVER, SWITCH TERMI.",1,1,1,1,1,1,,,,,,,,,,,,,
40,1,,172143-63100,, "PANEL ASSY",1,1,1,1,1,1,,,,,,,,,,,,,
41,1,,172143-63140,, "COVER, PANEL",,1,1,1,,,,,,,,,,,,,
42,1,,22857-400100,, "SCREW 4X10",4,4,4,4,4,4,,,,,,,,,,,,,
43,1,,26116-100202,, "BOLT M10X 20 PLATED",4,4,4,4,4,4,,,,,,,,,,,,,
44,1,,172112-69790,, "PLUG 32X2",,1,1,1,,,,,,,,,,,,,
45,1,,26716-100002,, "NUT M10",2,2,2,2,2,2,,,,,,,,,,,,,
46,1,,22217-060000,, "SPRING WASHER 6",2,2,2,2,2,2,,,,,,,,,,,,,
47,1,,22217-100000,, "SPRING WASHER 10",4,4,4,4,4,4,,,,,,,,,,,,,
48,1,,933168-55770,, "BAND 146",4,4,4,4,4,4,,,,,,,,,,,,,
49,1,,22217-100000,, "SPRING WASHER 10",4,4,4,4,4,4,,,,,,,,,,,,,
50,1,,172111-16890,, "GROMMET 9",1,1,1,,,,,,,,,,,,,
51,1,,172312-17260,, "GROMMET 22X2.3",1,1,1,,,,,,,,,,,,,
52,1,,172143-63130,, "COVER, IN-PAME",1,1,1,,,,,,,,,,,,,
53,1,,933171-15680,, "GROMMET 40X13",1,1,1,,,,,,,,,,,,,
54,1,,172143-16590,, "HARNESS C",1,1,1,,,,,,,,,,,,,
55,1,,172126-16540,, "CLAMP 10X70",2,2,2,2,2,2,,,,,,,,,,,,,

Fig. 11 デンソウヒン
ELECTRIC PART



1,1,,172137-16560,,BAND,5,5,5,5,5,5,,,,,,,,,,,,,
2,1,,172141-16560,, "WIRE, LAMP",1,1,1,1,1,1,,,,,,,,,,,,,
3,1,,172141-17200,, "LAMP, WORK",1,1,1,1,1,1,,,,,,,,,,,,,
4,2,,172141-17210,, "BULB 12V 60W",1,1,1,1,1,1,,,,,,,,,,,,,
5,1,,172137-17400,, "STAY, BOOM LIGHT",1,1,1,1,1,1,,,,,,,,,,,,,
6,1,,22217-120000,, "WASHER 12, SPRING",1,1,1,1,1,1,,,,,,,,,,,,,
7,1,,26116-120252,, "BOLT M12X 25 PLATED",1,1,1,1,1,1,,,,,,,,,,,,,

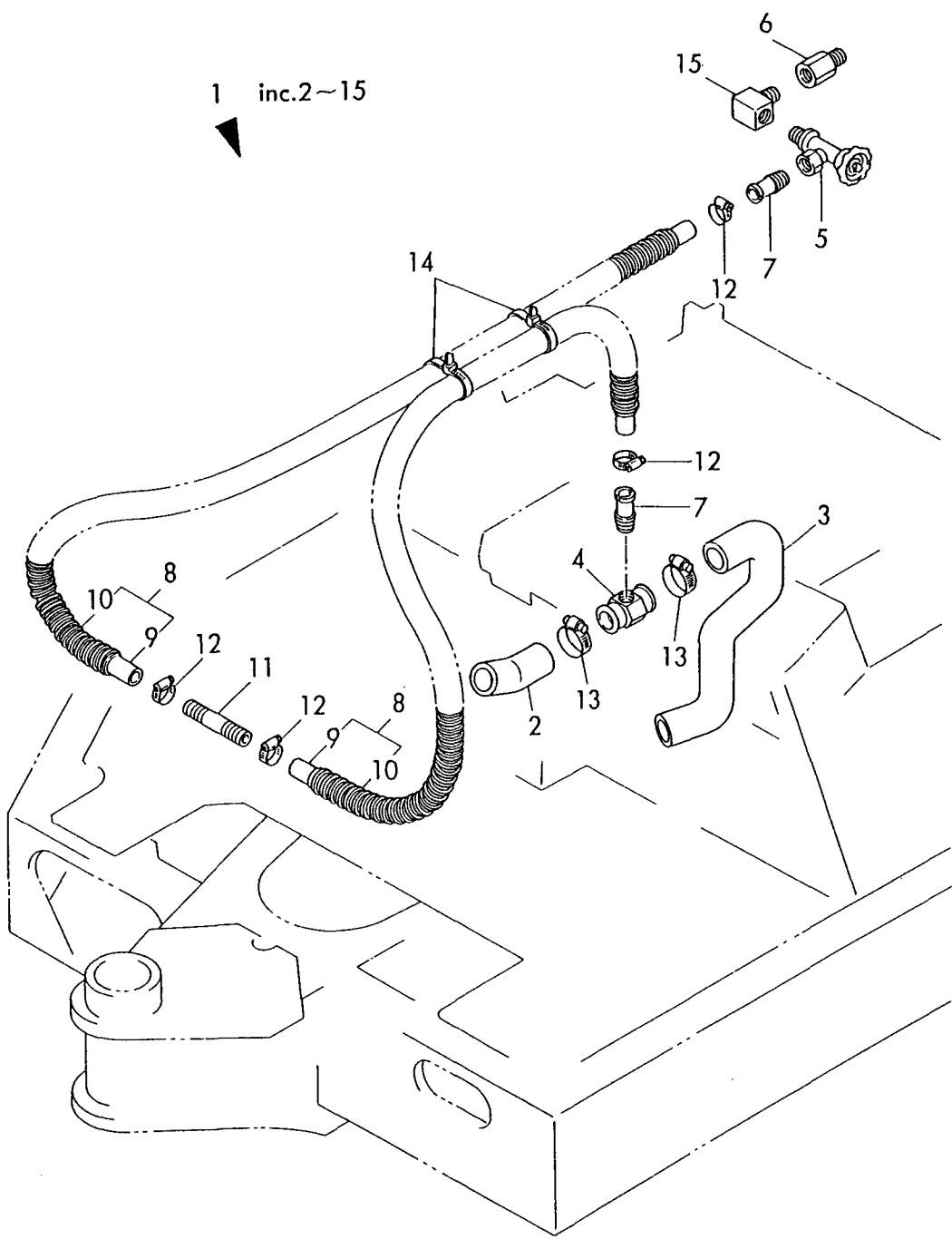
Fig. 12 ワークランプ
WORK LAMP



1,1,,772143-17600,, "HEATER ASSY",1,,1,,1,,,,,,,,,,,,,
2,2,,172141-13470,, "PIPE(B,E), C.WATER",1,,1,,1,,,,,,,,,,,,,
3,2,,172141-13480,, "PIPE(B,R), C.WATER",1,,1,,1,,,,,,,,,,,,,
4,2,,172141-13490,, JOINT,1,,1,,1,,,,,,,,,,,,,
5,2,,172124-17630,, "VALVE, MINIATURE",1,,1,,1,,,,,,,,,,,,,
6,2,,172137-17630,, "JOINT, HEATER",1,,1,,1,,,,,,,,,,,,,
7,2,,172124-17640,, "JOINT 3/8",2,,2,,2,,,,,,,,,,,,,
8,2,,172141-17680,, "HOSE ASSY, HEATER",2,,2,,2,,,,,,,,,,,,,
9,3,,172141-17690,, "HOSE, HEATER",2,,2,,2,,,,,,,,,,,,,
10,3,,172141-17700,, "TUBE, CORRUGAT",2,,2,,2,,,,,,,,,,,,,
11,2,,172119-47650,, "JOINT, HOSE",1,,1,,1,,,,,,,,,,,,,
12,2,,23000-022000,, "CLAMP 22",4,,4,,4,,,,,,,,,,,,,
13,2,,23010-038000,, "CLAMP 38",2,,2,,2,,,,,,,,,,,,,
14,2,,933152-09280,, "BAND 170",2,,2,,2,,,,,,,,,,,,,
15,2,,933166-24240,, "ELBOW, SWIVEL JOINT",1,,1,,1,,,,,,,,,,,,,

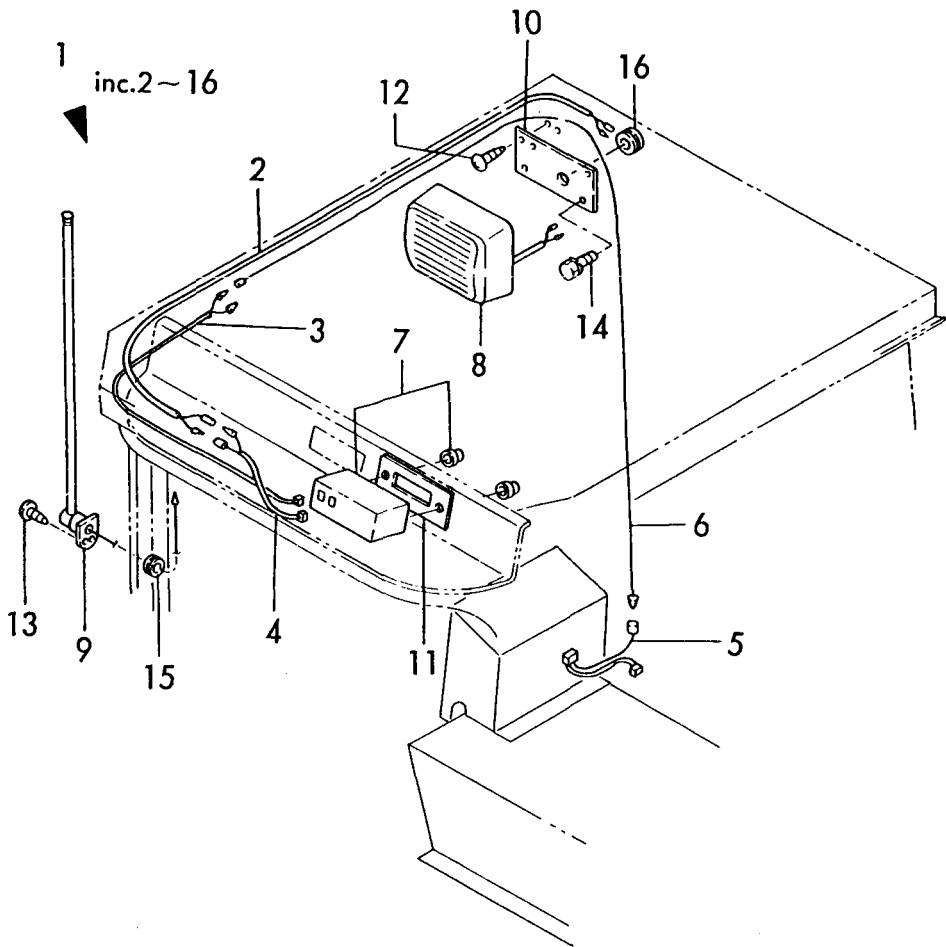
Fig. 13 ヒータ
HEATER

1 inc.2~15



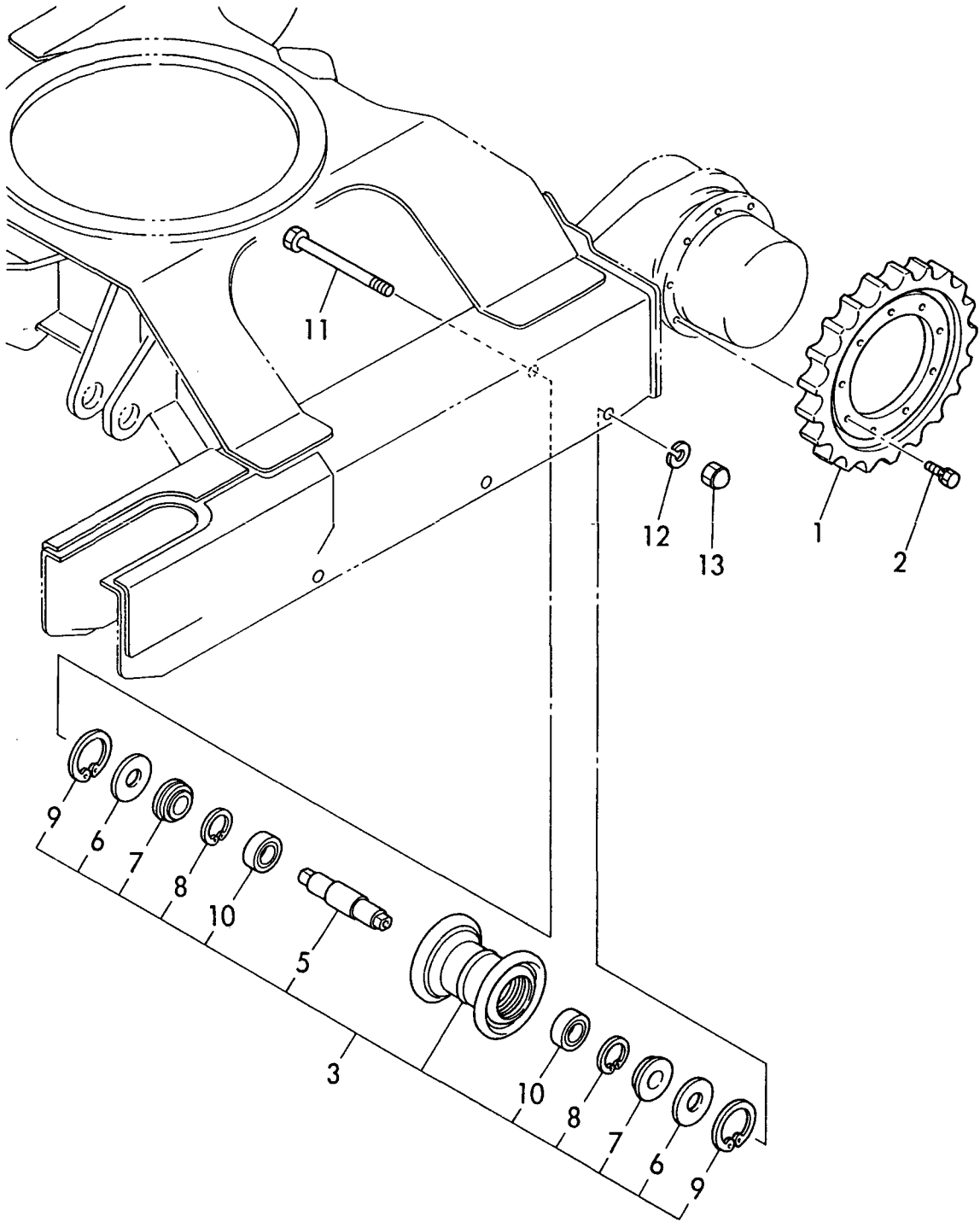
1,1,,772122-17810,, "RADIO ASSY (EC",1,,,,,,,,,,,,,
2,2,,172122-16550,, "LEAD WIRE",1,,,,,,,,,,,,,
3,2,,172119-16570,, "LEAD WIRE",1,,,,,,,,,,,,,
4,2,,172119-16590,, "LEAD WIRE",1,,,,,,,,,,,,,
5,2,,172122-16680,,CONNECTOR,1,,,,,,,,,,,,,
6,2,,172122-16690,, "LEAD WIRE",1,,,,,,,,,,,,,
7,2,,172119-17150,, "AM-FM RADIO 5PB",1,,,,,,,,,,,,,
8,2,,172112-17171,, "SPEAKER (SPA-413)",1,,,,,,,,,,,,,
9,2,,172112-17190,, "ANTENNA (NCP-314)",1,,,,,,,,,,,,,
10,2,,172124-17812,, "STAY, SPEAKER",1,,,,,,,,,,,,,
11,2,,172112-18230,, "PANEL, RADIO",1,,,,,,,,,,,,,
12,2,,22857-400120,, "SCREW 4X12",3,,,,,,,,,,,,,
13,2,,22857-500120,, "SCREW 5X12",2,,,,,,,,,,,,,
14,2,,26557-040122,, "SCREW M 4X 12,PAN HD",2,,,,,,,,,,,,,
15,2,,933168-56000,, "GROMMET 17X19",1,,,,,,,,,,,,,
16,2,,933168-56000,, "GROMMET 17X19",1,,,,,,,,,,,,,

Fig. 14 ラジオ (EC)
RADIO (EC)



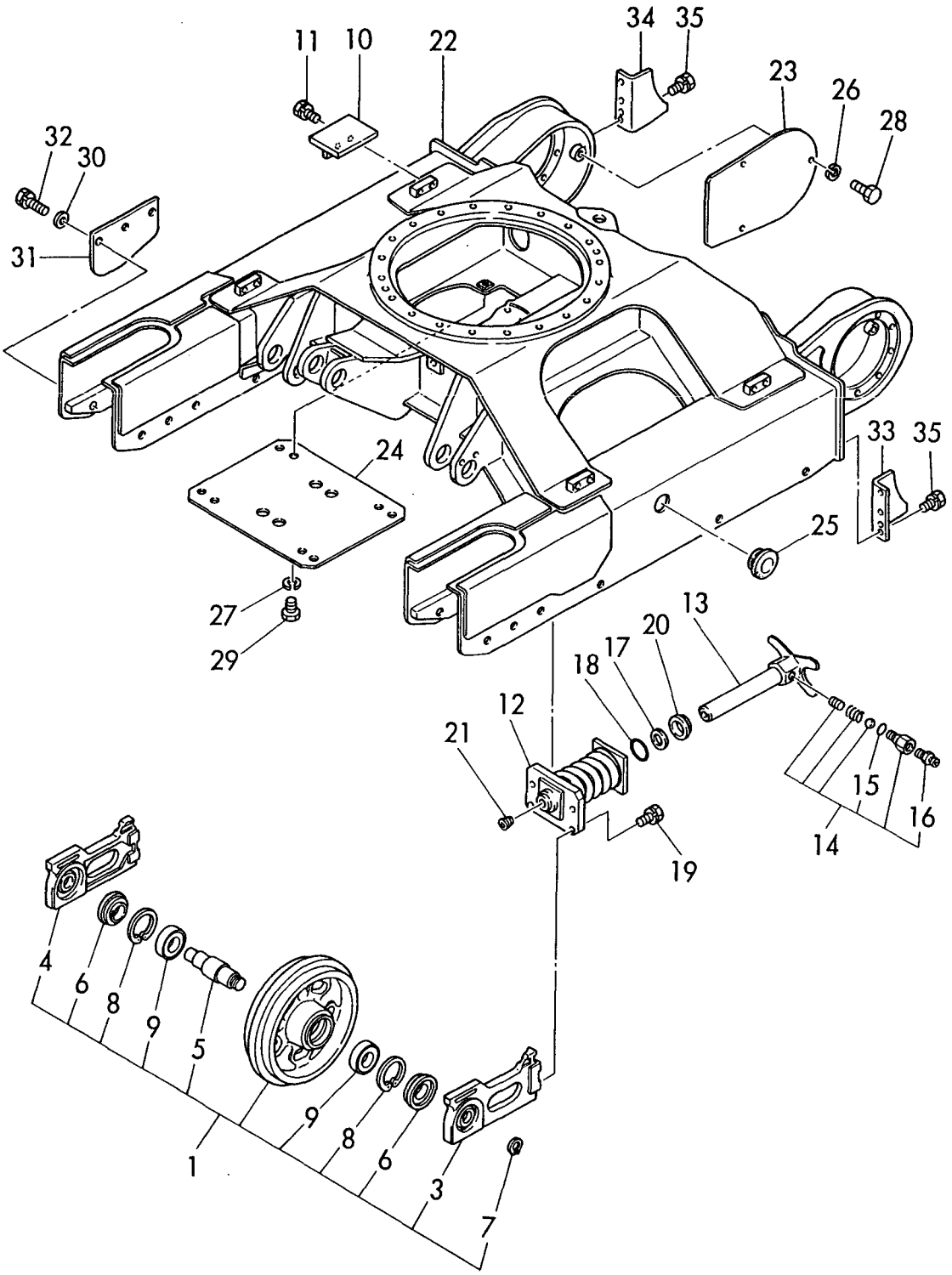
1,1,,172141-29110,,SPROCKET,2,2,2,2,2,2,,,,,,,,,,,,,
2,1,,26013-120302,, "BOLT W/WASHER M12X30",18,18,18,18,18,18,,,,,,,,,,,,,
3,1,,772142-37300,, "ROLLER ASSY, TRACK",6,6,6,6,6,6,,,,,,,,,,,,,
5,2,,172146-37310,, "SHAFT, ROLLER",6,6,6,6,6,6,,,,,,,,,,,,,
6,2,,172141-37320,, "SPACER 75X2.6",12,12,12,12,12,12,,,,,,,,,,,,,
7,2,,1A1030-48250,, "SEAL QLF30621218,OIL",12,12,12,12,12,12,,,,,,,,,,,,,
8,2,,22252-000620,, "CIRCLIP 62(H)",12,12,12,12,12,12,,,,,,,,,,,,,
9,2,,22252-000750,, "CIRCLIP 75",12,12,12,12,12,12,,,,,,,,,,,,,
10,2,,933111-73800,, BEARING,12,12,12,12,12,12,,,,,,,,,,,,,
11,1,,172113-36050,, "BOLT, ROLLER ADJUST",6,6,6,6,6,6,,,,,,,,,,,,,
12,1,,22217-160000,, "SPRING WASHER 16",6,6,6,6,6,6,,,,,,,,,,,,,
13,1,,26657-160002,, "CAP NUT M16",6,6,6,6,6,6,,,,,,,,,,,,,

Fig. 15 トラック ローラ
TRACK ROLLER



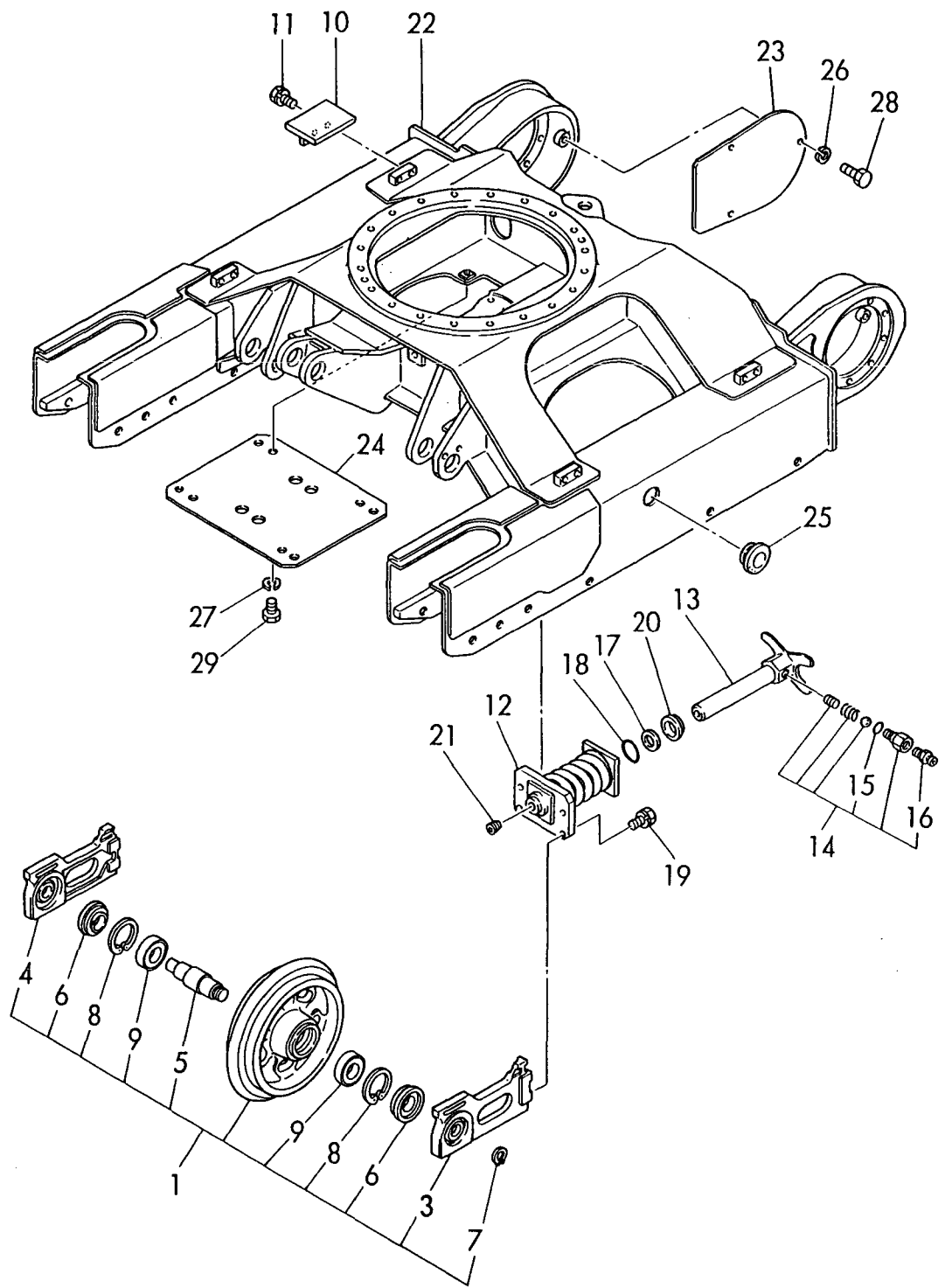
1,1,,772141-37100,, "IDLER 280 ASSY",2,2,2,2,2,2,,,,,,,,,,,,,
3,2,,172141-37110,, "FORK(L), IDLER",2,2,2,2,2,2,,,,,,,,,,,,,
4,2,,172141-37120,, "FORK(R), IDLER",2,2,2,2,2,2,,,,,,,,,,,,,
5,2,,172141-37130,, "SHAFT, IDLER",2,2,2,2,2,2,,,,,,,,,,,,,
6,2,,172141-37140,, "SEAL 357220",4,4,4,4,4,4,,,,,,,,,,,,,
7,2,,22242-000300,, "CIRCLIP 30",2,2,2,2,2,2,,,,,,,,,,,,,
8,2,,22252-000720,, "CIRCLIP 72",4,4,4,4,4,4,,,,,,,,,,,,,
9,2,,24101-062074,, "BALL BEARING",4,4,4,4,4,4,,,,,,,,,,,,,
10,1,,172141-37501,, "PLATE",4,4,4,4,4,4,,,,,,,,,,,,,
11,1,,26013-100302,, "BOLT M10X 30",8,8,8,8,8,8,,,,,,,,,,,,,
12,1,,172146-37700,, "SPRING",2,2,2,2,2,2,,,,,,,,,,,,,
13,1,,172141-37800,, "PISTON, ADJUST",2,2,2,2,,,,,,,,,,,,,
13-1,1,,172141-37801,, "PISTON,
ADJUST",2,2,2,2,2,2,S,,72149113,M11008,72149113,M11008,72149113,M11008,72149113,
M11008,,,,,I
14,1,,172122-37842,, "VALVE ASSY, NIPPLE",2,2,2,2,,,,,,,,,,,,,
14-1,1,,172122-37843,, "VALVE ASSY,
NIPPLE",2,2,2,2,2,2,S,,72149113,M11008,72149113,M11008,72149113,M11008,72149113,
M11008,,,,,I
15,2,,24315-000120,, "O-RING 1B P-12.0",2,2,2,2,,,,,,,,,,,,,
15-1,2,,24315-000140,, "O-RING 1B P-
14.0",2,2,2,2,2,2,S,,72149113,M11008,72149113,M11008,72149113,M11008,72149113,M1
1008,,,,,I
16,2,,24761-020000,, "NIPPLE PT1/8,GREASE",2,2,2,2,2,2,,,,,,,,,,,,,
17,1,,172141-37850,, "RING G35, BACK UP",2,2,2,2,2,2,,,,,,,,,,,,,
18,1,,24325-000350,, "O-RING 1B G-35.0",2,2,2,2,2,2,,,,,,,,,,,,,
19,1,,26013-100402,, "BOLT M10X 40",8,8,8,8,8,8,,,,,,,,,,,,,
20,1,,933126-34300,, "SEAL 3547710",2,2,2,2,2,2,,,,,,,,,,,,,
21,1,,933171-13691,, "PLUG PT1/8",2,2,2,2,2,2,,,,,,,,,,,,,
22,1,,172141-50101,, "FRAME, LOWER",1,1,1,1,1,1,,,,,,,,,,,,,
23,1,,172141-50750,, "COVER, MOTOR",2,2,2,2,2,2,,,,,,,,,,,,,
24,1,,172141-50761,, "COVER, UNDER",1,1,1,1,1,1,,,,,,,,,,,,,
25,1,,172141-50890,, "GROMMET",2,2,2,2,2,2,,,,,,,,,,,,,
26,1,,22217-100000,, "SPRING WASHER 10",6,6,6,6,6,6,,,,,,,,,,,,,
27,1,,22217-120000,, "WASHER 12, SPRING",4,4,4,4,4,4,,,,,,,,,,,,,
28,1,,26116-100202,, "BOLT M10X 20 PLATED",6,6,6,6,6,6,,,,,,,,,,,,,
29,1,,26116-120252,, "BOLT M12X 25 PLATED",4,4,4,4,4,4,,,,,,,,,,,,,
30,1,,172730-05250,, "WASHER 12",12,12,12,12,12,12,,,,,,,,,,,,,
31,1,,172141-50901,, "GUARD, SHOE",4,4,4,4,4,4,,,,,,,,,,,,,
32,1,,26013-120452,, "BOLT M12X 45",12,12,12,12,12,12,,,,,,,,,,,,,
33,1,,172122-50851,, "GUARD(L), SPROCKET",1,1,1,1,1,1,,,,,,,,,,,,,
34,1,,172122-50861,, "GUARD(R), SPROCKET",1,1,1,1,1,1,,,,,,,,,,,,,
35,1,,26013-120252,, "BOLT M12X 25",6,6,6,6,6,6,,,,,,,,,,,,,

Fig. 16 トラックフレーム&アイドラ
 TRACK FRAME & IDLER



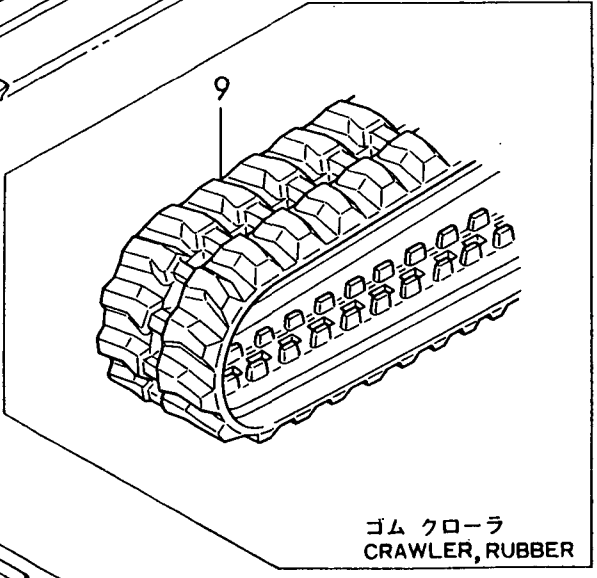
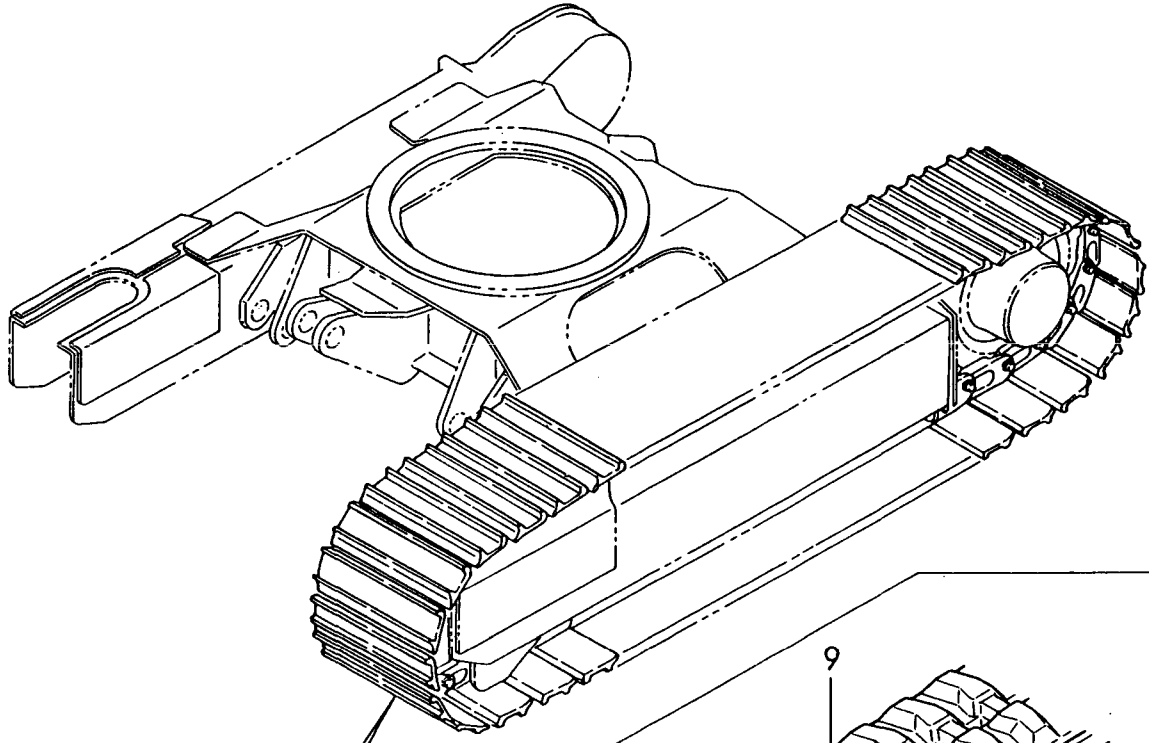
1,1,,772146-37100,, "IDLER 280 ASSY",2,2,2,2,2,2,,,,,,,,,,,,,
2,2,,172146-37100,, "IDLER 280",2,2,2,2,2,2,,,,,,,,,,,,,
3,2,,172141-37110,, "FORK(L), IDLER",2,2,2,2,2,2,,,,,,,,,,,,,
4,2,,172141-37120,, "FORK(R), IDLER",2,2,2,2,2,2,,,,,,,,,,,,,
5,2,,172141-37130,, "SHAFT, IDLER",2,2,2,2,2,2,,,,,,,,,,,,,
6,2,,172141-37140,, "SEAL 357220",4,4,4,4,4,4,,,,,,,,,,,,,
7,2,,22242-000300,, "CIRCLIP 30",2,2,2,2,2,2,,,,,,,,,,,,,
8,2,,22252-000720,, "CIRCLIP 72",4,4,4,4,4,4,,,,,,,,,,,,,
9,2,,24101-062074,, "BALL BEARING",4,4,4,4,4,4,,,,,,,,,,,,,
10,1,,172141-37501,, "PLATE",4,4,4,4,4,4,,,,,,,,,,,,,
11,1,,26013-100302,, "BOLT M10X 30",8,8,8,8,8,8,,,,,,,,,,,,,
12,1,,172146-37700,, "SPRING",2,2,2,2,2,2,,,,,,,,,,,,,
13,1,,172141-37800,, "PISTON, ADJUST",2,2,2,2,,,,,,,,,,,,,
13-1,1,,172141-37801,, "PISTON,
ADJUST",2,2,2,2,2,2,S,,72149113,M11008,72149113,M11008,72149113,M11008,72149113,
M11008,,,,,I
14,1,,172122-37842,, "VALVE ASSY, NIPPLE",2,2,2,2,,,,,,,,,,,,,
14-1,1,,172122-37843,, "VALVE ASSY,
NIPPLE",2,2,2,2,2,2,S,,72149113,M11008,72149113,M11008,72149113,M11008,72149113,
M11008,,,,,I
15,2,,24315-000120,, "O-RING 1B P-12.0",2,2,2,2,,,,,,,,,,,,,
15-1,2,,24315-000140,, "O-RING 1B P-
14.0",2,2,2,2,2,2,S,,72149113,M11008,72149113,M11008,72149113,M11008,72149113,M1
1008,,,,,I
16,2,,24761-020000,, "NIPPLE PT1/8,GREASE",2,2,2,2,2,2,,,,,,,,,,,,,
17,1,,172141-37850,, "RING G35, BACK UP",2,2,2,2,2,2,,,,,,,,,,,,,
18,1,,24325-000350,, "O-RING 1B G-35.0",2,2,2,2,2,2,,,,,,,,,,,,,
19,1,,26013-100402,, "BOLT M10X 40",8,8,8,8,8,8,,,,,,,,,,,,,
20,1,,933126-34300,, "SEAL 3547710",2,2,2,2,2,2,,,,,,,,,,,,,
21,1,,933171-13691,, "PLUG PT1/8",2,2,2,2,2,2,,,,,,,,,,,,,
22,1,,172141-50101,, "FRAME, LOWER",1,1,1,1,1,1,,,,,,,,,,,,,
23,1,,172141-50750,, "COVER, MOTOR",2,2,2,2,2,2,,,,,,,,,,,,,
24,1,,172141-50761,, "COVER, UNDER",1,1,1,1,1,1,,,,,,,,,,,,,
25,1,,172141-50890,, "GROMMET",2,2,2,2,2,2,,,,,,,,,,,,,
26,1,,22217-100000,, "SPRING WASHER 10",6,6,6,6,6,6,,,,,,,,,,,,,
27,1,,22217-120000,, "WASHER 12,SPRING",4,4,4,4,4,4,,,,,,,,,,,,,
28,1,,26116-100202,, "BOLT M10X 20 PLATED",6,6,6,6,6,6,,,,,,,,,,,,,
29,1,,26116-120252,, "BOLT M12X 25 PLATED",4,4,4,4,4,4,,,,,,,,,,,,,

Fig. 17 トラックフレーム&アイドラ(R)
TRACK FRAME & IDLER (R)

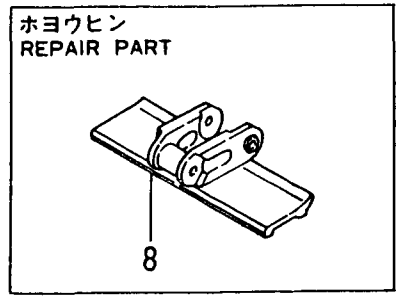
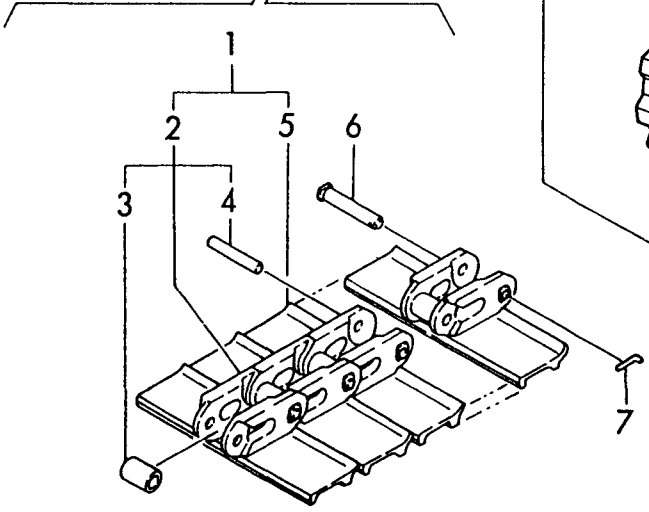


1,1,,172141-38100,, "CRAWLER 270 ASSY",2,2,2,2,2,2,,,,,,,,,,,,,
2,2,,172141-38150,, "LINK ASSY, CRAWLER",2,2,2,2,2,2,,,,,,,,,,,,,
3,3,,172141-38200,, BUSH,72,72,72,72,72,72,,,,,,,,,,,,,
4,3,,172141-38210,, "PIN, CRAWLER",70,70,70,70,70,70,,,,,,,,,,,,,
5,2,,172141-38230,, "SHOE 270, CRAWLER",72,72,72,72,72,72,,,,,,,,,,,,,
6,1,,172141-38220,, "PIN, MASTER",2,2,2,2,2,2,,,,,,,,,,,,,
7,1,,172614-38300,, "PIN 5X45, LOCK",2,2,2,2,2,2,,,,,,,,,,,,,
8,1,,172141-38240,, "TRACK 270, MASTER",2,2,2,2,2,2,,,,,,,,,,,,,
9,1,,172141-38610,, "CRAWLER, RUBBER",2,2,2,2,2,2,,,,,,,,,,,,,

Fig. 18 クローラ (270)
CRAWLER (270)



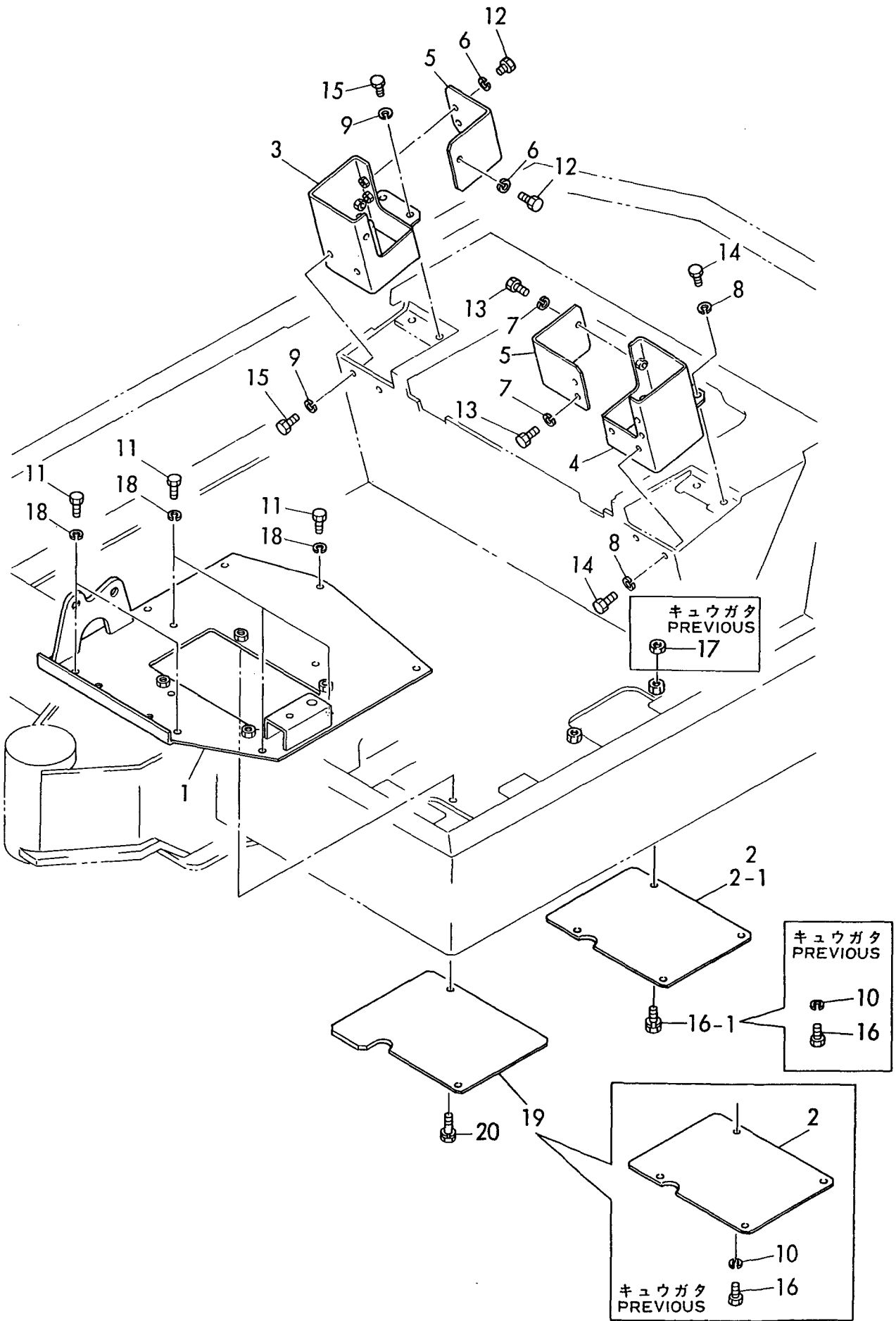
ゴム クローラ
CRAWLER, RUBBER



ホヨウビン
REPAIR PART

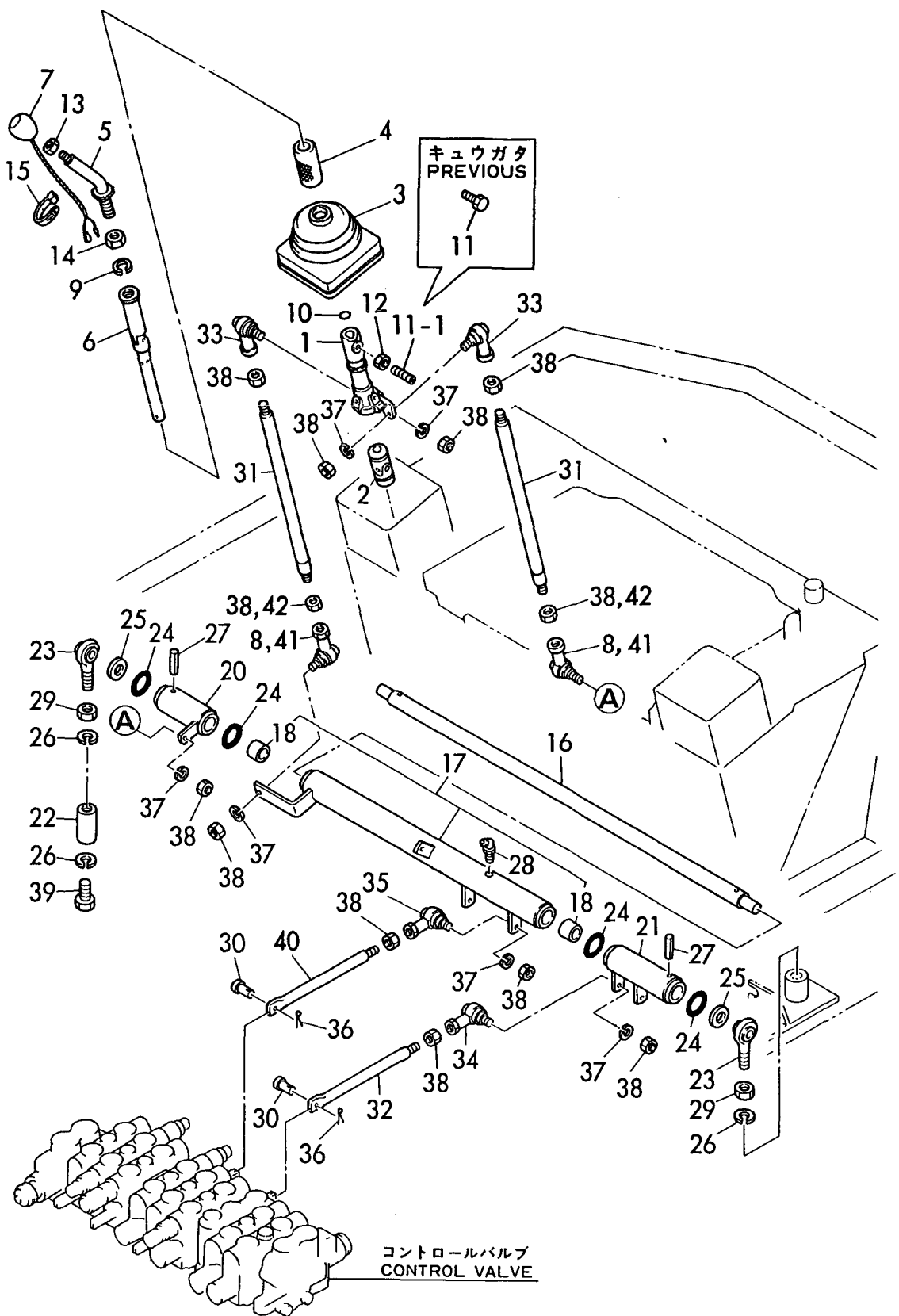
1,1,,172141-42300,, "PLATE, LINK",1,1,1,1,1,1,,,,,,,,,,,,,
2,1,,172141-42390,, "COVER, UNDER",2,2,2,2,,,,,,,,,,,,,
2-1,1,,172141-42390,, "COVER,
UNDER",1,1,1,1,1,1,K,,72141356,*1989.09,72141356,*1989.09,72141356,*1989.09,7214
1356,*1989.09,,,,,I
3,1,,172142-43300,, "SUPPORT,R",1,1,1,1,1,1,,,,,,,,,,,,,
4,1,,172142-43330,, "SUPPORT,L",1,1,1,1,,,,,,,,,,,,,
4-1,1,,172142-
43331,,SUPPORT(L),1,1,1,1,1,1,F,1,72143020,*1990.08,72143020,*1990.08,72143020,*
1990.08,72143020,*1990.08,,,,,I
5,1,,172142-43390,, "COVER, SUPPORT",2,2,2,2,2,2,,,,,,,,,,,,,
6,1,,22217-080000,, "SPRING WASHER 8",3,3,3,3,3,3,,,,,,,,,,,,,
7,1,,22217-080000,, "SPRING WASHER 8",3,3,3,3,3,3,,,,,,,,,,,,,
8,1,,22217-100000,, "SPRING WASHER 10",4,4,4,4,4,4,,,,,,,,,,,,,
9,1,,22217-100000,, "SPRING WASHER 10",4,4,4,4,4,4,,,,,,,,,,,,,
10,1,,22217-100000,, "SPRING WASHER
10",8,8,8,8,,Z,,72141356,*1989.09,72141356,*1989.09,72141356,*1989.09,72141356,
*1989.09,,,,,I
11,1,,26116-100202,, "BOLT M10X 20 PLATED",6,6,6,6,6,6,,,,,,,,,,,,,
12,1,,26116-080202,, "BOLT M 8X 20 PLATED",3,3,3,3,3,3,,,,,,,,,,,,,
13,1,,26116-080202,, "BOLT M 8X 20 PLATED",3,3,3,3,3,3,,,,,,,,,,,,,
14,1,,26116-100202,, "BOLT M10X 20 PLATED",4,4,4,4,4,4,,,,,,,,,,,,,
15,1,,26116-100202,, "BOLT M10X 20 PLATED",4,4,4,4,4,4,,,,,,,,,,,,,
16,1,,26116-100202,, "BOLT M10X 20 PLATED",8,8,8,8,,,,,,,,,,,,,
16-1,1,,26013-100202,, "BOLT W/WASHER
M10X20",4,4,4,4,4,4,S,,72141356,*1989.09,72141356,*1989.09,72141356,*1989.09,721
41356,*1989.09,,,,,I
17,1,,26716-100002,, "NUT
M10",4,4,4,4,,Z,,72141356,*1989.09,72141356,*1989.09,72141356,*1989.09,72141356
,*1989.09,,,,,I
18,1,,22217-100000,, "SPRING WASHER 10",6,6,6,6,6,6,,,,,,,,,,,,,
19,1,,172141-43820,, "COVER(A),
UNDER",1,1,1,1,1,1,W,,72141356,*1989.09,72141356,*1989.09,72141356,*1989.09,7214
1356,*1989.09,,,,,I
20,1,,26013-100252,, "BOLT M10X
25",2,2,2,2,2,2,W,,72141356,*1989.09,72141356,*1989.09,72141356,*1989.09,7214135
6,*1989.09,,,,,I

Fig. 19 リンクダイ
LINK STAND



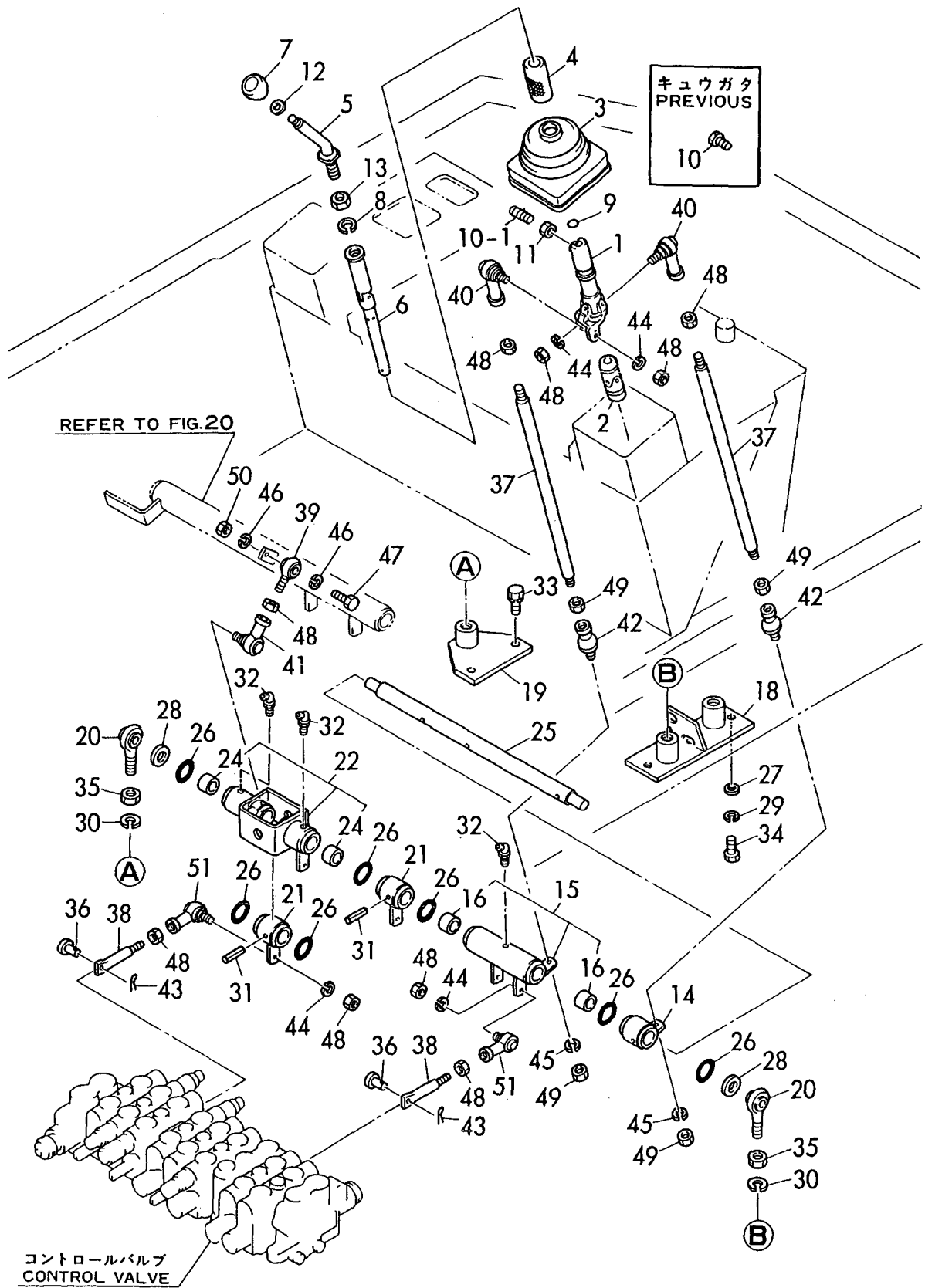
1,1,,172141-41150,, "LINK(L), LEVER",1,1,1,1,1,1,,,,,,,,,,,,,
2,1,,172141-41160,, JOINT,1,1,1,1,1,1,,,,,,,,,,,,,
3,1,,172141-41330,, "BOOTS, LEVER",1,1,1,1,1,1,,,,,,,,,,,,,
4,1,,172142-44170,, "JOINT, LEVER",1,1,1,1,1,1,,,,,,,,,,,,,
5,1,,172143-45100,, LEVER,1,1,1,1,1,1,,,,,,,,,,,,,
6,1,,172143-45130,, "ROD ASSY,CONNECTING",1,1,1,1,1,1,,,,,,,,,,,,,
7,1,,172143-45800,, KNOB(A),1,1,1,1,1,1,,,,,,,,,,,,,
8,1,,172122-46590,, "ELBALL
8",2,2,2,2,, ,Z,, 72142352,*1990.08,72142352,*1990.08,72142352,*1990.08,72142352,*
1990.08,,,,,I
9,1,,22217-140000,, "SPRING WASHER 14",1,1,1,1,1,1,,,,,,,,,,,,,
10,1,,24311-000140,, "O-RING 1A P-14.0",1,1,1,1,1,1,,,,,,,,,,,,,
11,1,,26450-080202,, "BOLT M 8X 20",1,1,1,1,,,,,,,,,,,,,
11-1,1,,26979-080162,, "SCREW M
8X16",1,1,1,1,1,1,N,, 72143012,M11314,72143012,M11314,72143012,M11314,72143012,M1
1314,,,,,I
12,1,,26716-080002,, "NUT M 8",1,1,1,1,1,1,,,,,,,,,,,,,
13,1,,26716-100002,, "NUT M10",1,1,1,1,1,1,,,,,,,,,,,,,
14,1,,26736-140002,, "NUT M14",1,1,1,1,1,1,,,,,,,,,,,,,
15,1,,933168-55770,, "BAND 146",2,2,2,2,2,2,,,,,,,,,,,,,
16,1,,172141-41810,, "SHAFT, LINK",1,1,1,1,1,1,,,,,,,,,,,,,
17,1,,172143-45200,, "LINK, BOOM",1,1,1,1,1,1,,,,,,,,,,,,,
18,2,,172141-41370,, "BUSH 2015",2,2,2,2,2,2,,,,,,,,,,,,,
20,1,,172143-45290,, "LINK, BUCKET",1,1,1,1,1,1,,,,,,,,,,,,,
21,1,,172141-41460,, "LINK(A), BUCKET",1,1,1,1,1,1,,,,,,,,,,,,,
22,1,,172143-45580,, SCREW,1,1,1,1,1,1,,,,,,,,,,,,,
23,1,,172122-45720,, "ROD-END 14",2,2,2,2,2,2,,,,,,,,,,,,,
24,1,,172124-46200,, "O-RING 27X5.7",4,4,4,4,4,4,,,,,,,,,,,,,
25,1,,22157-120000,, "WASHER 12",2,2,2,2,2,2,,,,,,,,,,,,,
26,1,,22217-140000,, "SPRING WASHER 14",3,3,3,3,3,3,,,,,,,,,,,,,
27,1,,22351-050036,, "SPRING PIN 5X36",2,2,2,2,2,2,,,,,,,,,,,,,
28,1,,24761-040000,, "NIPPLE B,GREASE",1,1,1,1,1,1,,,,,,,,,,,,,
29,1,,26716-100002,, "NUT M10",2,2,2,2,2,2,,,,,,,,,,,,,
30,1,,172141-42970,, "PIN 6X15",2,2,2,2,2,2,,,,,,,,,,,,,
31,1,,172143-45640,, "ROD, LINK",2,2,2,2,,,,,,,,,,,,,
31-1,1,,172143-45641,, "ROD,
LINK",2,2,2,2,2,2,S,1,72142352,*1990.08,72142352,*1990.08,72142352,*1990.08,7214
2352,*1990.08,,,,,I
32,1,,172143-45660,, "ROD(B), SPOOL",1,1,1,1,1,1,,,,,,,,,,,,,
33,1,,172122-46590,, "ELBALL 8",2,2,2,2,2,2,,,,,,,,,,,,,
34,1,,172122-46590,, "ELBALL 8",1,1,1,1,1,1,,,,,,,,,,,,,
35,1,,172122-46590,, "ELBALL 8",1,1,1,1,1,1,,,,,,,,,,,,,
36,1,,1C6281-52310,, "PIN 6,COME-OFF SNAP",2,2,2,2,2,2,,,,,,,,,,,,,
37,1,,22217-080000,, "SPRING WASHER 8",4,4,4,4,4,4,,,,,,,,,,,,,
38,1,,26716-080002,, "NUT M 8",12,12,12,12,,,,,,,,,,,,,
38-1,1,,26716-080002,, "NUT M
8",10,10,10,10,10,10,K,, 72142352,*1990.08,72142352,*1990.08,72142352,*1990.08,72
142352,*1990.08,,,,,I
39,1,,26116-140352,, "BOLT M14X 35 PLATED",1,1,1,1,1,1,,,,,,,,,,,,,
40,1,,172143-45650,, "ROD(A), SPOOL",1,1,1,1,1,1,,,,,,,,,,,,,
41,1,,172734-41300,, "BALL 8L,
LINK",2,2,2,2,2,2,W,1,72142352,*1990.08,72142352,*1990.08,72142352,*1990.08,7214
2352,*1990.08,,,,,I
42,1,,194200-37780,, "LS-NUT
8",2,2,2,2,2,2,W,1,72142352,*1990.08,72142352,*1990.08,72142352,*1990.08,7214235
2,*1990.08,,,,,I

Fig. 20 ソウジュウソウチ (ブーム&バケット)
 CONTROL EQUIPMENT (BOOM & BUCKET)



1,1,,172141-41150,, "LINK(L), LEVER",1,1,1,1,1,1,,,,,,,,,,,,,
2,1,,172141-41160,, JOINT,1,1,1,1,1,1,,,,,,,,,,,,,
3,1,,172141-41330,, "BOOTS, LEVER",1,1,1,1,1,1,,,,,,,,,,,,,
4,1,,172142-44170,, "JOINT, LEVER",1,1,1,1,1,1,,,,,,,,,,,,,
5,1,,172143-45100,, LEVER,1,1,1,1,1,1,,,,,,,,,,,,,
6,1,,172143-45130,, "ROD ASSY,CONNECTING",1,1,1,1,1,1,,,,,,,,,,,,,
7,1,,172312-46321,, KNOB(B),1,1,1,1,1,1,,,,,,,,,,,,,
8,1,,22217-140000,, "SPRING WASHER 14",1,1,1,1,1,1,,,,,,,,,,,,,
9,1,,24311-000140,, "O-RING 1A P-14.0",1,1,1,1,1,1,,,,,,,,,,,,,
10,1,,26450-080202,, "BOLT M 8X 20",1,1,1,1,1,1,,,,,,,,,,,,,
10-1,1,,26979-080162,, "SCREW M
8X16",1,1,1,1,1,1,N,,72143012,M11314,72143012,M11314,72143012,M11314,72143012,M1
1314,,,,,I
11,1,,26716-080002,, "NUT M 8",1,1,1,1,1,1,,,,,,,,,,,,,
12,1,,26716-100002,, "NUT M10",1,1,1,1,1,1,,,,,,,,,,,,,
13,1,,26736-140002,, "NUT M14",1,1,1,1,1,1,,,,,,,,,,,,,
14,1,,172143-45250,, "LINK(A), ARM",1,1,1,1,1,1,,,,,,,,,,,,,
15,1,,172143-45320,, "LINK W/BUSH,TURNING",1,1,1,1,1,1,,,,,,,,,,,,,
16,2,,172141-41370,, "BUSH 2015",2,2,2,2,2,2,,,,,,,,,,,,,
18,1,,172143-45500,, STAY,1,1,1,1,1,1,,,,,,,,,,,,,
19,1,,172143-45550,, STAY,1,1,1,1,1,1,,,,,,,,,,,,,
20,1,,172122-45720,, "ROD-END 14",2,2,2,2,2,2,,,,,,,,,,,,,
21,1,,172143-45720,, "LINK(B), ARM",2,2,2,2,2,2,,,,,,,,,,,,,
22,1,,172143-45730,, "LINK W/BUSH",1,1,1,1,1,1,,,,,,,,,,,,,
24,2,,172141-41370,, "BUSH 2015",2,2,2,2,2,2,,,,,,,,,,,,,
25,1,,172143-45770,, "SHAFT 433",1,1,1,1,1,1,,,,,,,,,,,,,
26,1,,172124-46200,, "O-RING 27X5.7",7,7,7,7,7,7,,,,,,,,,,,,,
27,1,,22137-100000,, "WASHER 10,POLISHED",3,3,3,3,3,3,,,,,,,,,,,,,
28,1,,22157-120000,, "WASHER 12",2,2,2,2,2,2,,,,,,,,,,,,,
29,1,,22217-100000,, "SPRING WASHER 10",3,3,3,3,3,3,,,,,,,,,,,,,
30,1,,22217-140000,, "SPRING WASHER 14",2,2,2,2,2,2,,,,,,,,,,,,,
31,1,,22351-050036,, "SPRING PIN 5X36",2,2,2,2,2,2,,,,,,,,,,,,,
32,1,,24761-040000,, "NIPPLE B,GREASE",3,3,3,3,3,3,,,,,,,,,,,,,
33,1,,26013-100252,, "BOLT M10X 25",2,2,2,2,2,2,,,,,,,,,,,,,
34,1,,26116-100202,, "BOLT M10X 20 PLATED",3,3,3,3,3,3,,,,,,,,,,,,,
35,1,,26716-140002,, "NUT M14",2,2,2,2,2,2,,,,,,,,,,,,,
36,1,,172141-42970,, "PIN 6X15",2,2,2,2,2,2,,,,,,,,,,,,,
37,1,,172143-45630,, "ROD, LINK(L)",2,2,2,2,2,2,,,,,,,,,,,,,
38,1,,172143-45650,, "ROD(A), SPOOL",2,2,2,2,2,2,,,,,,,,,,,,,
39,1,,172143-45670,, "ROD, END 8",1,1,1,1,1,1,,,,,,,,,,,,,
40,1,,172122-46590,, "ELBALL 8",2,2,2,2,2,2,,,,,,,,,,,,,
41,1,,172122-46590,, "ELBALL 8",1,1,1,1,1,1,,,,,,,,,,,,,
42,1,,172122-47250,, "BALL 8, LINK",2,2,2,2,2,2,,,,,,,,,,,,,
43,1,,1C6281-52310,, "PIN 6,COME-OFF SNAP",2,2,2,2,2,2,,,,,,,,,,,,,
44,1,,22217-080000,, "SPRING WASHER 8",4,4,4,4,4,4,,,,,,,,,,,,,
45,1,,22217-080000,, "SPRING WASHER 8",2,2,2,2,2,2,,,,,,,,,,,,,
46,1,,22217-080000,, "SPRING WASHER 8",2,2,2,2,2,2,,,,,,,,,,,,,
47,1,,26116-080302,, "BOLT M 8X 30 PLATED",1,1,1,1,1,1,,,,,,,,,,,,,
48,1,,26716-080002,, "NUT M 8",9,9,9,9,9,9,,,,,,,,,,,,,
49,1,,26716-080002,, "NUT M 8",4,4,4,4,4,4,,,,,,,,,,,,,
50,1,,26716-080002,, "NUT M 8",1,1,1,1,1,1,,,,,,,,,,,,,
51,1,,172122-46590,, "ELBALL 8",2,2,2,2,2,2,,,,,,,,,,,,,

Fig. **21** ソウジュウソウチ (アーム & センカイ)
CONTROL EQUIPMENT (ARM & TURNING)



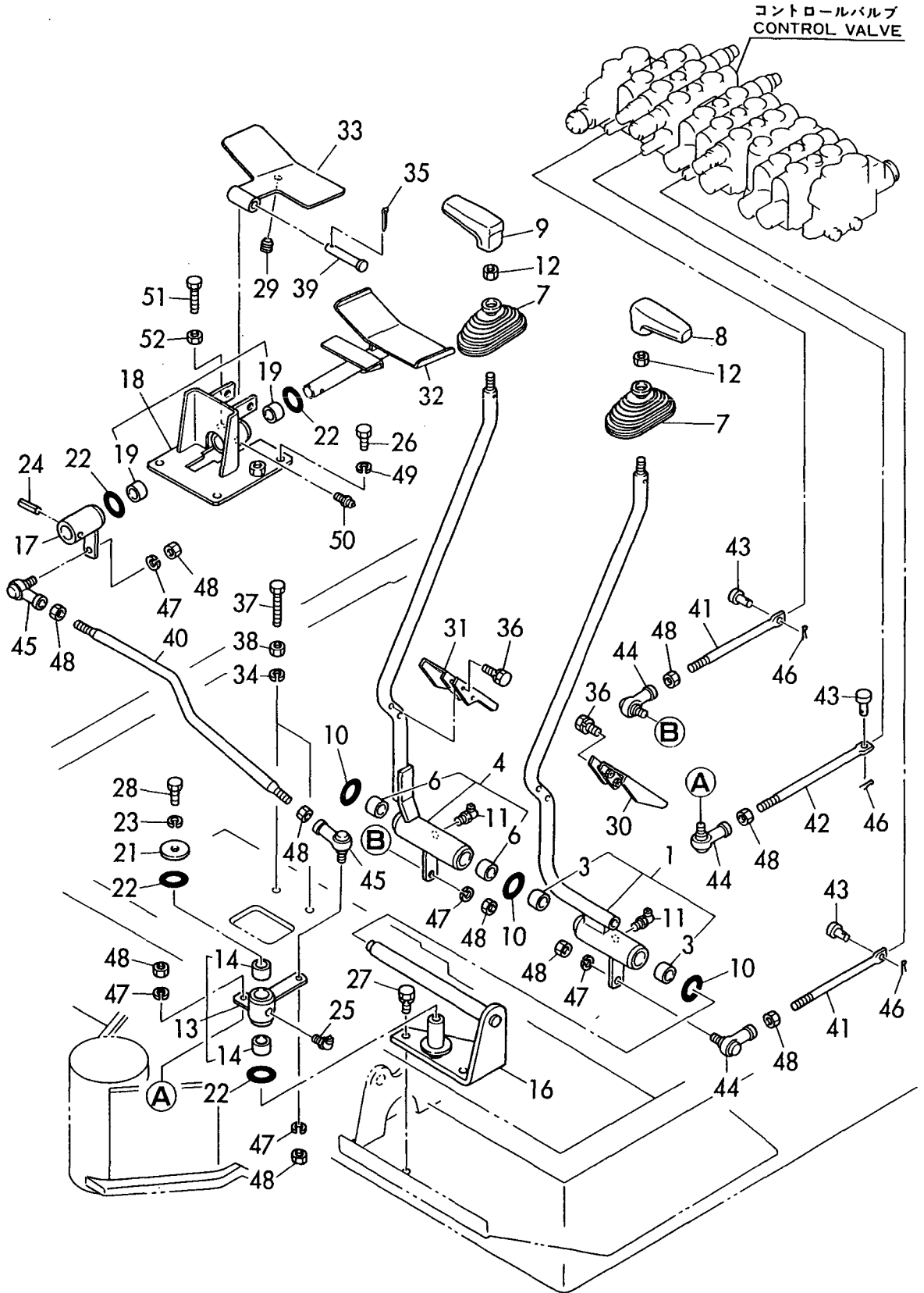
キユウガタ
PREVIOUS
10

REFER TO FIG. 20

コントロールバルブ
CONTROL VALVE

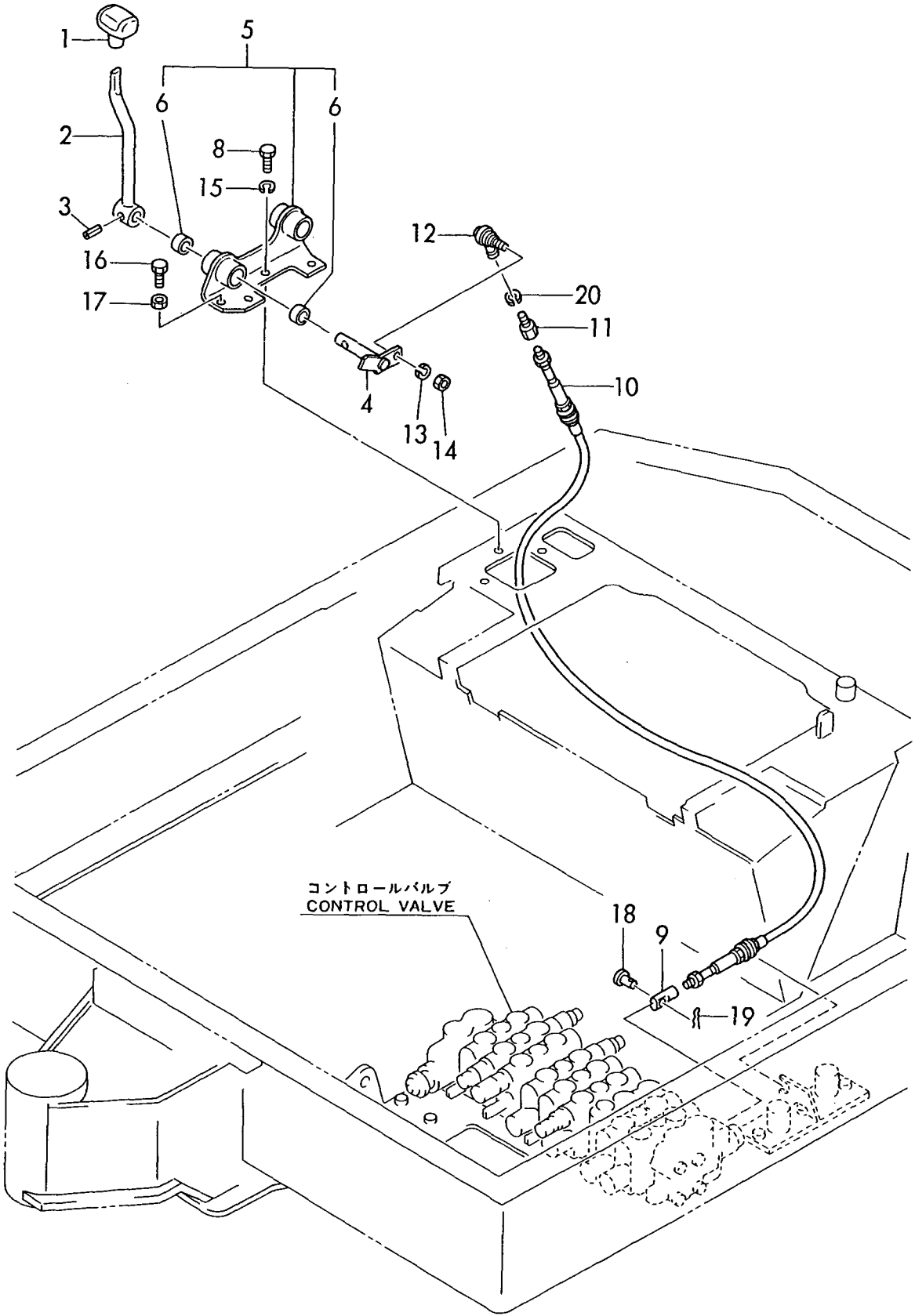
1,1,,172141-41170,, "LEVER(L) W/BUSH",1,1,1,1,,,,,,,,,,,,,
1-1,1,,172141-41171,, "LEVER(L)
W/BUSH",1,1,1,1,1,1,1,N,,72141357,M11438,72141357,M11438,72141357,M11438,72141357,
M11438,,,,,I
3,2,,172141-41370,, "BUSH 2015",2,2,2,2,2,2,,,,,,,,,,,,,
4,1,,172141-41230,, "LEVER(R) W/BUSH",1,1,1,1,,,,,,,,,,,,,
4-1,1,,172141-41231,, "LEVER(R)
W/BUSH",1,1,1,1,1,1,1,N,,72141357,M11438,72141357,M11438,72141357,M11438,72141357,
M11438,,,,,I
6,2,,172141-41370,, "BUSH 2015",2,2,2,2,2,2,,,,,,,,,,,,,
7,1,,172141-41340,,BOOTS,2,2,2,2,2,2,,,,,,,,,,,,,
8,1,,172122-45050,, "KNOB (L)",1,1,1,1,1,1,,,,,,,,,,,,,
9,1,,172122-45060,, "KNOB (R)",1,1,1,1,1,1,,,,,,,,,,,,,
10,1,,172124-46200,, "O-RING 27X5.7",3,3,3,3,3,3,,,,,,,,,,,,,
11,1,,24761-050000,, "NIPPLE C,GREASE",2,2,2,2,2,2,,,,,,,,,,,,,
12,1,,26716-100002,, "NUT M10",2,2,2,2,2,2,,,,,,,,,,,,,
13,1,,172141-41610,, "LINK W/BUSH, SWING",1,1,1,1,1,1,,,,,,,,,,,,,
14,2,,172141-41370,, "BUSH 2015",2,2,2,2,2,2,,,,,,,,,,,,,
16,1,,172141-41760,, "SHAFT, TRACK",1,1,1,1,1,1,,,,,,,,,,,,,
17,1,,172143-45360,, "LINK, SWING",1,1,1,1,1,1,,,,,,,,,,,,,
18,1,,172143-45450,, "BRACKET ASSY",1,1,1,1,,,,,,,,,,,,,
18-1,1,,172151-45960,, "BRACKET,
PEDAL",1,1,1,1,1,1,1,N,,72148106,M11898,72148106,M11898,72148106,M11898,72148106,M
11898,,,,,I
19,2,,172141-41370,, "BUSH 2015",2,2,2,2,2,2,,,,,,,,,,,,,
21,1,,1A1040-45890,, "WASHER 10 36 4.5",1,1,1,1,1,1,,,,,,,,,,,,,
22,1,,172124-46200,, "O-RING 27X5.7",4,4,4,4,4,4,,,,,,,,,,,,,
23,1,,22217-100000,, "SPRING WASHER 10",1,1,1,1,1,1,,,,,,,,,,,,,
24,1,,22351-050036,, "SPRING PIN 5X36",1,1,1,1,1,1,,,,,,,,,,,,,
25,1,,24761-050000,, "NIPPLE C,GREASE",1,1,1,1,1,1,,,,,,,,,,,,,
26,1,,26116-100202,, "BOLT M10X 20 PLATED",4,4,4,4,4,4,,,,,,,,,,,,,
27,1,,26013-100252,, "BOLT M10X 25",3,3,3,3,3,3,,,,,,,,,,,,,
28,1,,26116-100202,, "BOLT M10X 20 PLATED",1,1,1,1,1,1,,,,,,,,,,,,,
29,1,,172111-16890,, "GROMMET 9",1,1,1,1,1,1,,,,,,,,,,,,,
30,1,,172141-41840,, "PEDAL(L), TRACK",1,1,1,1,1,1,,,,,,,,,,,,,
31,1,,172141-41850,, "PEDAL(R), TRACK",1,1,1,1,1,1,,,,,,,,,,,,,
32,1,,172141-41900,, "PEDAL, SWING",1,1,1,1,1,1,,,,,,,,,,,,,
33,1,,172141-41940,, "LOCK, SWING",1,1,1,1,1,1,,,,,,,,,,,,,
34,1,,22217-100000,, "SPRING WASHER 10",2,2,2,2,2,2,,,,,,,,,,,,,
35,1,,22417-250200,, "COTTER PIN 2.5X20",1,1,1,1,1,1,,,,,,,,,,,,,
36,1,,26013-060352,, "BOLT M 6X 35",4,4,4,4,4,4,,,,,,,,,,,,,
37,1,,26116-100602,, "BOLT M10X 60 PLATED",2,2,2,2,2,2,,,,,,,,,,,,,
38,1,,26716-100002,, "NUT M10",2,2,2,2,2,2,,,,,,,,,,,,,
39,1,,933171-18390,, "PIN, FOOT BAR",1,1,1,1,1,1,,,,,,,,,,,,,
40,1,,172141-42860,, "ROD, SWING",1,1,1,1,1,1,,,,,,,,,,,,,
41,1,,172141-42890,, "ROD(C), SPOOL",2,2,2,2,2,2,,,,,,,,,,,,,
42,1,,172141-42910,, "ROD(D), SPOOL",1,1,1,1,1,1,,,,,,,,,,,,,
43,1,,172141-42970,, "PIN 6X15",3,3,3,3,3,3,,,,,,,,,,,,,
44,1,,172122-46590,, "ELBALL 8",3,3,3,3,3,3,,,,,,,,,,,,,
45,1,,172122-46590,, "ELBALL 8",2,2,2,2,2,2,,,,,,,,,,,,,
46,1,,1C6281-52310,, "PIN 6,COME-OFF SNAP",3,3,3,3,3,3,,,,,,,,,,,,,
47,1,,22217-080000,, "SPRING WASHER 8",5,5,5,5,5,5,,,,,,,,,,,,,
48,1,,26716-080002,, "NUT M 8",10,10,10,10,10,10,,,,,,,,,,,,,
49,1,,22217-100000,, "SPRING WASHER 10",4,4,4,4,4,4,,,,,,,,,,,,,
50,1,,24761-020000,, "NIPPLE PT1/8,GREASE",1,1,1,1,1,1,,,,,,,,,,,,,
51,1,,26116-100302,, "BOLT M10X 30 PLATED",1,1,1,1,1,1,,,,,,,,,,,,,
52,1,,26716-100002,, "NUT M10",1,1,1,1,1,1,,,,,,,,,,,,,

Fig. 22 ソウジュウソウチ (ソウコウ & スイング)
 CONTROL EQUIPMENT (TRAVEL & SWING)



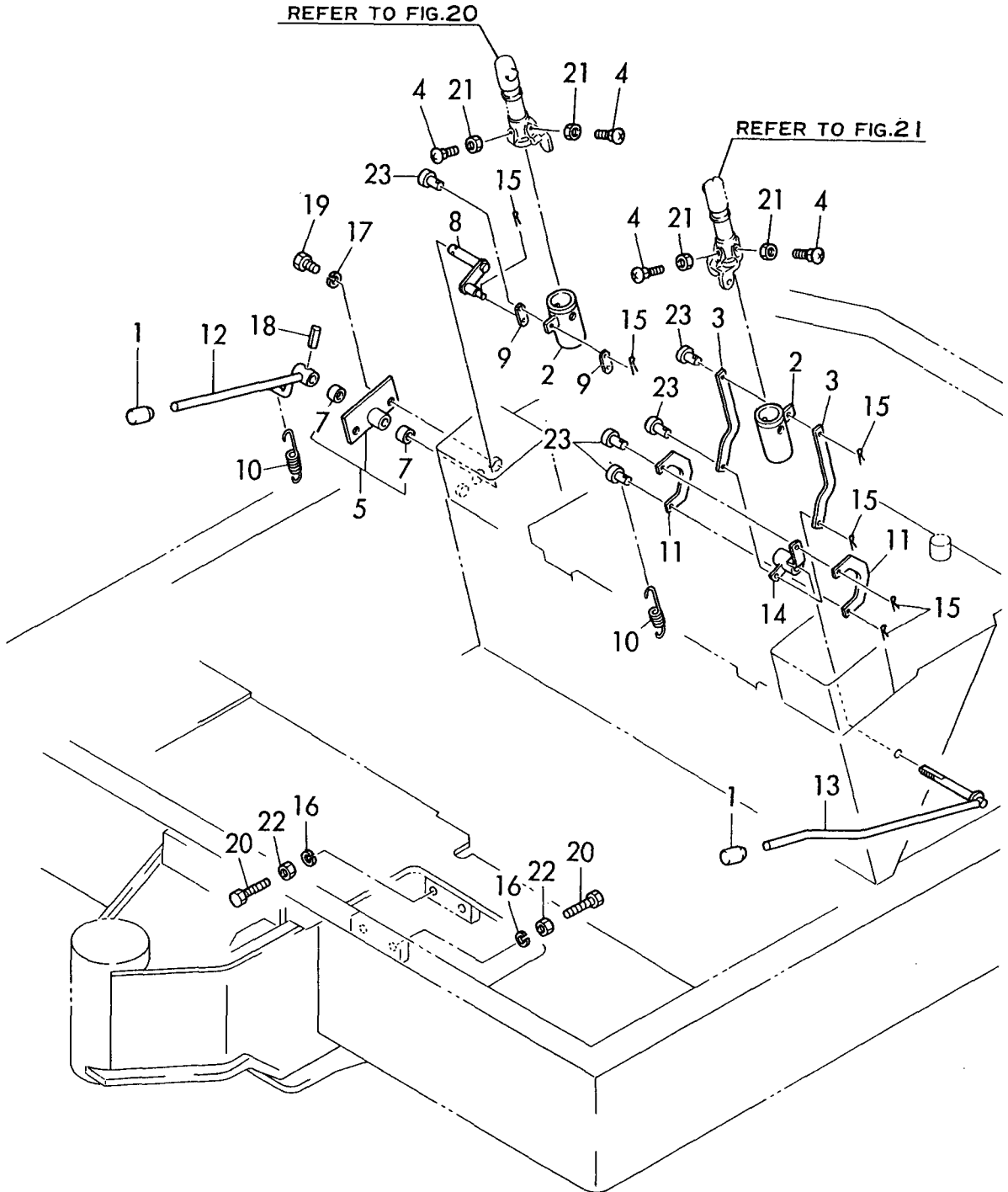
1,1,,172116-45940,, "KNOB (C), LEVER",1,1,1,1,1,1,,,,,,,,,,,,,
2,1,,172142-46260,, "LEVER, BLADE",1,1,1,1,1,1,,,,,,,,,,,,,
3,1,,22351-050032,, "SPRING PIN 5X32",1,1,1,1,1,1,,,,,,,,,,,,,
4,1,,172143-45400,, "ARM, BLADE",1,1,1,1,1,1,,,,,,,,,,,,,
5,1,,172143-45420,, BRACKET,1,1,1,1,1,1,,,,,,,,,,,,,
6,2,,172141-41360,, "BUSH 1415",2,2,2,2,2,2,,,,,,,,,,,,,
8,1,,26116-100202,, "BOLT M10X 20 PLATED",3,3,3,3,3,3,,,,,,,,,,,,,
9,1,,172141-42900,, ROD(P),1,1,1,1,1,1,,,,,,,,,,,,,
10,1,,172141-42950,, "CABLE, BLADE",1,1,1,1,1,1,,,,,,,,,,,,,
11,1,,172141-42960,, "JOINT, CABLE",1,1,1,1,1,1,,,,,,,,,,,,,
12,1,,172122-46590,, "ELBALL 8",1,1,1,1,1,1,,,,,,,,,,,,,
13,1,,22217-080000,, "SPRING WASHER 8",1,1,1,1,1,1,,,,,,,,,,,,,
14,1,,26716-080002,, "NUT M 8",1,1,1,1,1,1,,,,,,,,,,,,,
15,1,,22217-100000,, "SPRING WASHER 10",3,3,3,3,3,3,,,,,,,,,,,,,
16,1,,26116-100302,, "BOLT M10X 30 PLATED",1,1,1,1,1,1,,,,,,,,,,,,,
17,1,,26716-100002,, "NUT M10",1,1,1,1,1,1,,,,,,,,,,,,,
18,1,,172141-42970,, "PIN 6X15",1,1,1,1,1,1,,,,,,,,,,,,,
19,1,,1C6281-52310,, "PIN 6, COME-OFF SNAP",1,1,1,1,1,1,,,,,,,,,,,,,
20,1,,22217-080000,, "SPRING WASHER 8",1,1,1,1,1,1,,,,,,,,,,,,,

Fig. **23** ソウジュウソウチ (ブレード)
 CONTROL EQUIPMENT (BLADE)



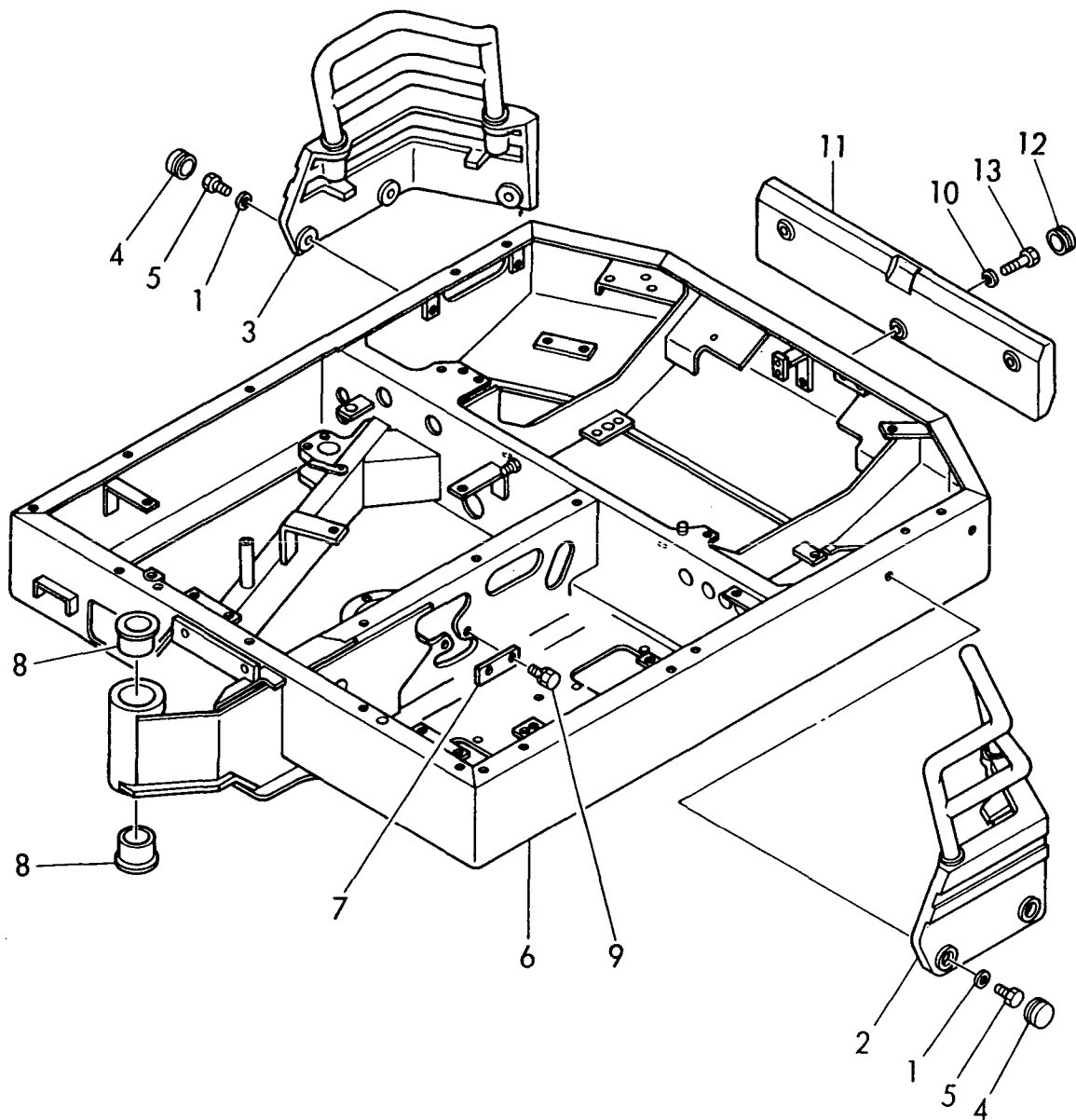
1,1,,194150-01190,, "KNOB, THROTTLE LEVER",2,2,2,2,2,2,,,,,,,,,,,,,
2,1,,172141-42600,, "PIPE, LOCK",2,2,2,2,2,2,,,,,,,,,,,,,
3,1,,172141-42700,, "LINK, LOCK",2,2,2,2,2,2,,,,,,,,,,,,,
4,1,,172141-42750,, "BOLT, STOPPER",8,8,8,8,8,8,,,,,,,,,,,,,
5,1,,172142-43440,, "BOSS ASY",1,1,1,1,1,1,,,,,,,,,,,,,
7,2,,933171-23670,, BUSH,2,2,2,2,2,2,,,,,,,,,,,,,
8,1,,172142-43490,, LINK,1,1,1,1,1,1,,,,,,,,,,,,,
9,1,,172142-43530,, LINK,2,2,2,2,2,2,,,,,,,,,,,,,
10,1,,172142-43910,, "SP,LOCK LEVER",2,2,2,2,2,2,,,,,,,,,,,,,
11,1,,172142-43920,, "PLATE,LOCK",2,2,2,2,2,2,,,,,,,,,,,,,
12,1,,172142-43980,, "LEVER, LOCK R",1,1,1,1,1,1,,,,,,,,,,,,,
13,1,,172143-45600,, "LEVER, LOCK",1,1,1,1,1,1,,,,,,,,,,,,,
14,1,,172143-45680,, "ARM, LOCK",1,1,1,1,,,,,,,,,,,,,
14-1,1,,172143-45681,, "ARM,
LOCK",1,1,1,1,1,1,N,,72143009,M11093,72143009,M11093,72143009,M11903,72143009,M1
1093,,,,,I
15,1,,1C6281-52310,, "PIN 6,COME-OFF SNAP",6,6,6,6,6,6,,,,,,,,,,,,,
16,1,,22217-100000,, "SPRING WASHER 10",4,4,4,4,4,4,,,,,,,,,,,,,
17,1,,22217-100000,, "SPRING WASHER 10",2,2,2,2,2,2,,,,,,,,,,,,,
18,1,,22351-050020,, "SPRING PIN 5X20",1,1,1,1,1,1,,,,,,,,,,,,,
19,1,,26116-100202,, "BOLT M10X 20 PLATED",2,2,2,2,2,2,,,,,,,,,,,,,
20,1,,26116-100504,, "BOLT M10X 50 PLATED",4,4,4,4,4,4,,,,,,,,,,,,,
21,1,,26716-080002,, "NUT M 8",8,8,8,8,8,8,,,,,,,,,,,,,
22,1,,26716-100002,, "NUT M10",4,4,4,4,4,4,,,,,,,,,,,,,
23,1,,933110-54100,, "PIN 4.75X14",5,5,5,5,5,5,,,,,,,,,,,,,

Fig. **24** サギョウレバーストップ
 OPERATION LEVER STOPPER



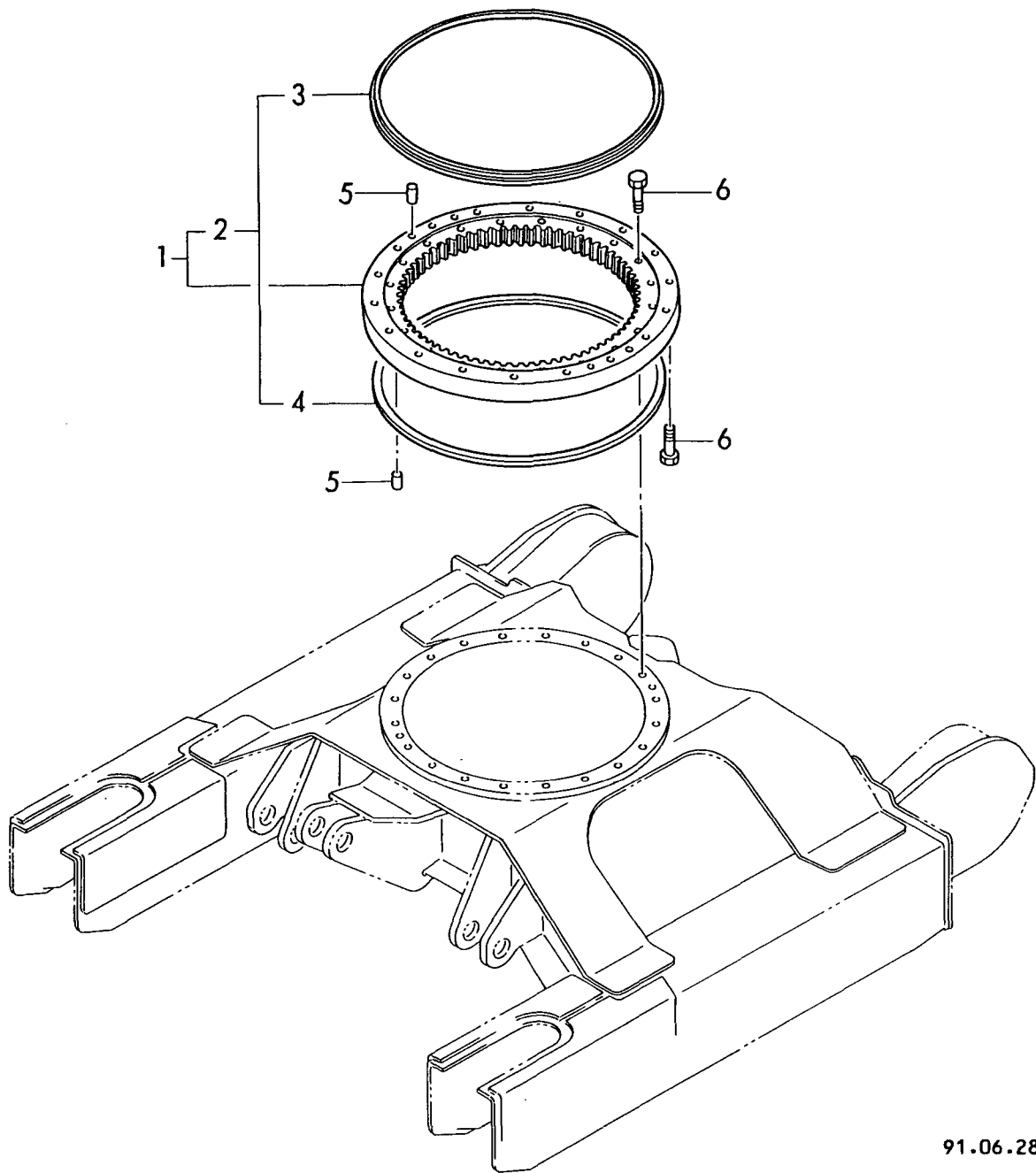
1,1,,172730-05250,, "WASHER 12",6,6,6,6,6,6,,,,,,,,,,,,,
2,1,,172141-53201,, "PROTECTOR, REAR(L)",1,1,1,1,1,1,,,,,,,,,,,,,
3,1,,172141-53251,, "PROTECTOR, REAR(R)",1,1,1,1,1,1,,,,,,,,,,,,,
4,1,,172141-53350,, "GROMMET 26",6,6,6,6,6,6,,,,,,,,,,,,,
5,1,,26013-120302,, "BOLT W/WASHER M12X30",6,6,6,6,6,6,,,,,,,,,,,,,
6,1,,172141-54100,, "FRAME, TURNING",1,1,1,1,1,1,,,,,,,,,,,,,
7,1,,172141-54980,, "PLATE, BUSH",1,1,1,1,1,1,,,,,,,,,,,,,
8,1,,172141-54990,, "BUSH 50",2,2,2,2,2,2,,,,,,,,,,,,,
9,1,,26013-080202,, "BOLT W/WASHER M8X20",2,2,2,2,2,2,,,,,,,,,,,,,
10,1,,172730-05250,, "WASHER 12",3,3,3,3,3,3,,,,,,,,,,,,,
11,1,,172141-53300,, "WEIGHT. COUNTER",1,1,1,1,1,1,,,,,,,,,,,,,
12,1,,172141-53350,, "GROMMET 26",3,3,3,3,3,3,,,,,,,,,,,,,
13,1,,26116-120602,, "BOLT M12X 60 PLATED",3,3,3,3,3,3,,,,,,,,,,,,,

Fig. **25** センカイフレーム
TURNING FRAME



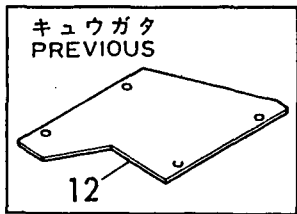
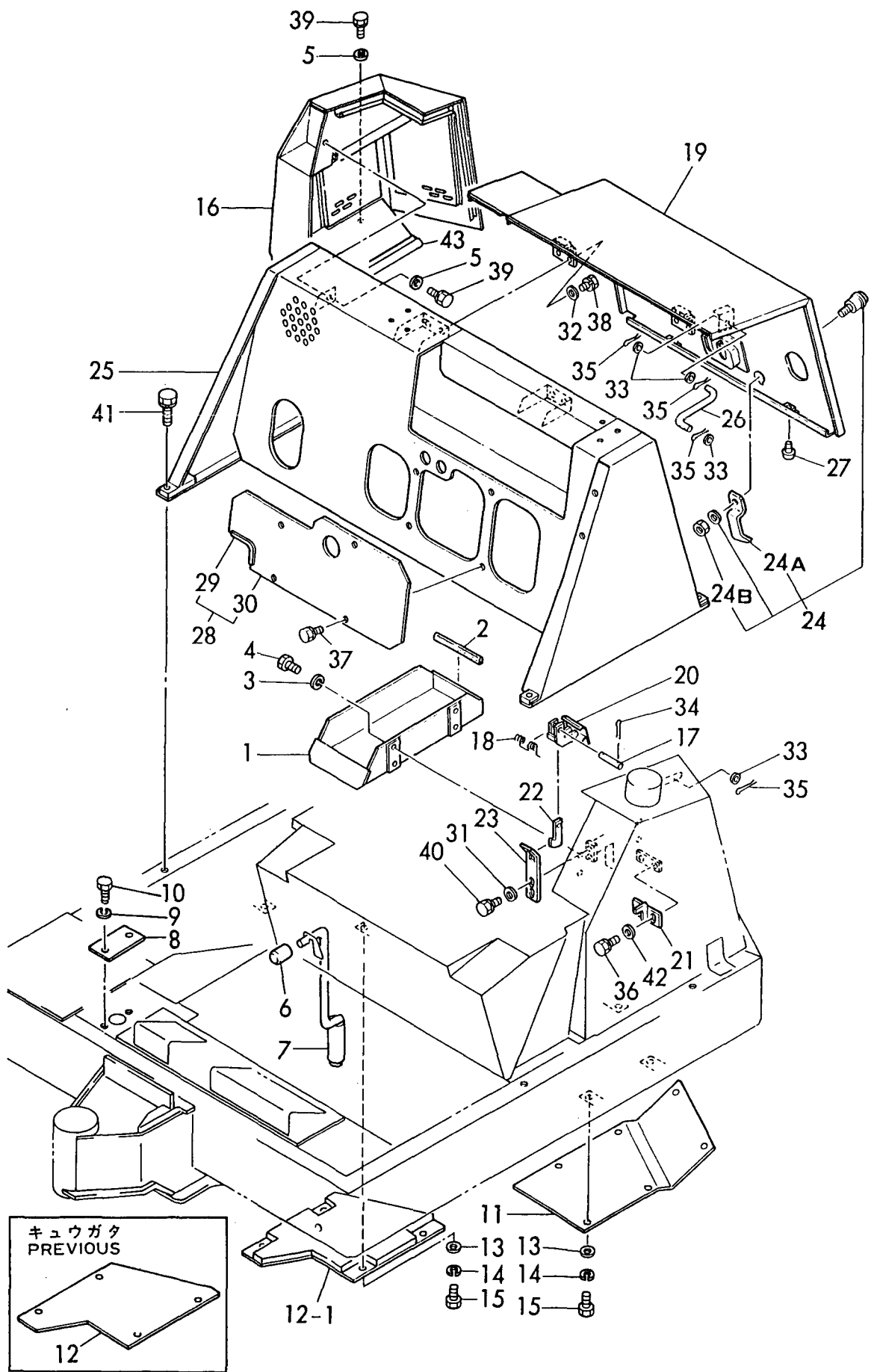
1,1,,172141-57600,, "BEARING, SWING",1,1,1,1,1,1,1,1,,,,,,,,,,,,,
2,2,,172141-57610,, "SEAL KIT",1,1,1,1,1,1,1,1,,,,,,,,,,,,,
3,3,,172141-57620,, "SEAL, UPPER",1,1,1,1,1,1,1,1,,,,,,,,,,,,,
4,3,,172141-57630,, "SEAL, LOWER",1,1,1,1,1,1,1,1,,,,,,,,,,,,,
5,1,,22312-100280,, "PARALLEL PIN 10X28",4,4,4,4,4,4,4,4,,,,,,,,,,,,,
5-1,1,,194940-24350,, "PIN
10X28, STRAIGHT",4,4,4,4,4,4,4,4,N,,72149117,M11082,72149117,M11082,72149117,M11082,7
2149117,M11082,,,,,I
6,1,,26116-120552,, "BOLT M12X 55 PLATED",38,38,38,38,38,38,38,38,,,,,,,,,,,,,
6-1,1,,172141-57650,, "BOLT M12X 55
PLATED",38,38,38,38,38,38,38,38,R,,72141376,M11821,72141376,M11821,72141376,M11821,721
41376,M11821,,,,,I

Fig. 26 センカイドウソウチ
TURNING DRIVING GEARS



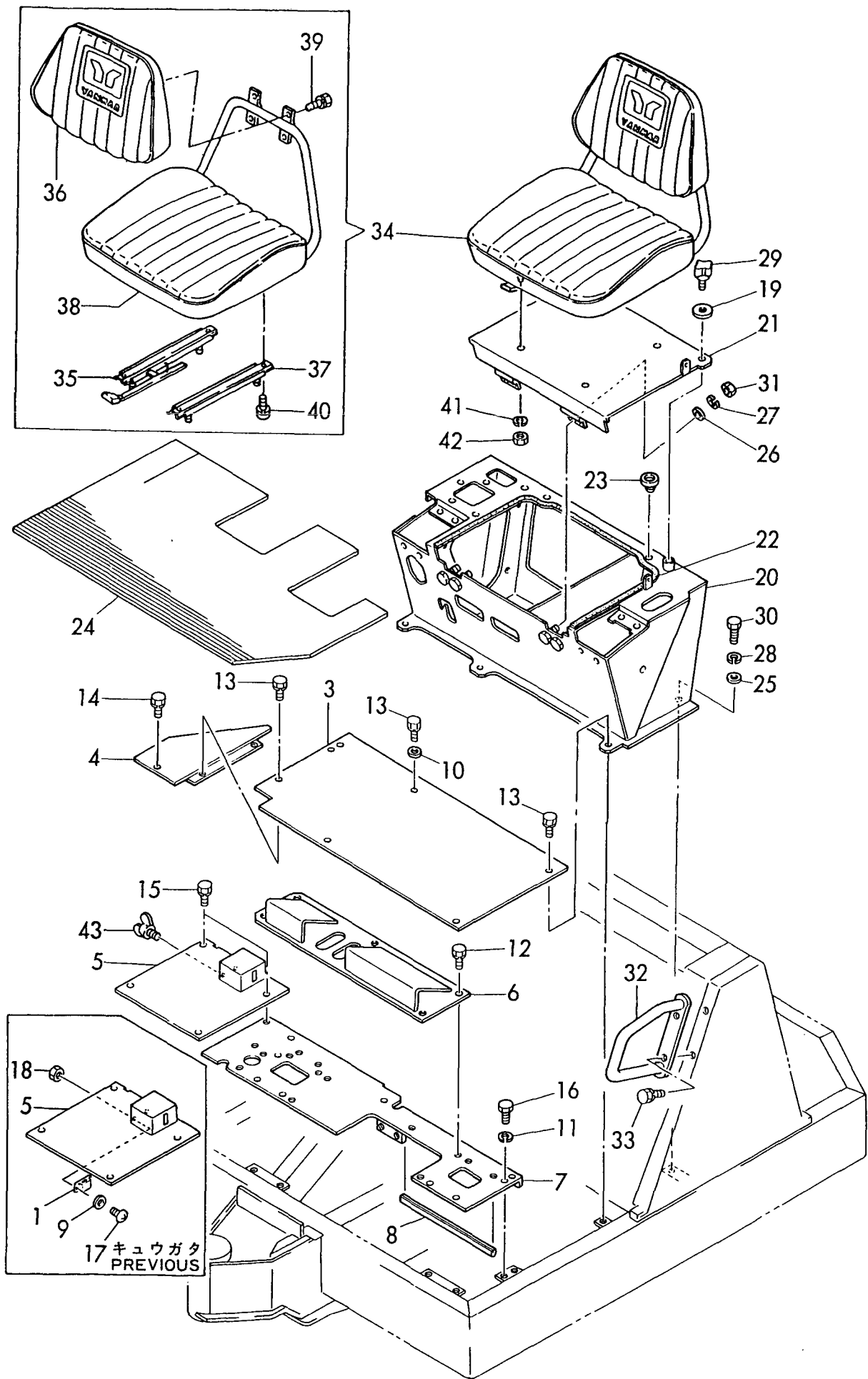
1,1,,172141-05300,, "BOX, TOOL",1,1,1,1,1,1,,,,,,,,,,,,,
2,1,,172738-61630,, "RUBBER 150",1,1,1,1,1,1,,,,,,,,,,,,,
3,1,,22217-100000,, "SPRING WASHER 10",4,4,4,4,4,4,,,,,,,,,,,,,
4,1,,26116-100202,, "BOLT M10X 20 PLATED",4,4,4,4,4,4,,,,,,,,,,,,,
5,1,,22137-100000,, "WASHER 10,POLISHED",2,2,2,2,2,2,,,,,,,,,,,,,
6,1,,172116-46630,, "KNOB, LOCK LEVER",1,1,1,1,1,1,,,,,,,,,,,,,
7,1,,172141-58800,, "PIN, LOCK",1,1,1,1,1,1,,,,,,,,,,,,,
8,1,,172141-61110,, "COVER, DUCT",1,1,1,1,1,1,,,,,,,,,,,,,
9,1,,22217-100000,, "SPRING WASHER 10",2,2,2,2,2,2,,,,,,,,,,,,,
10,1,,26116-100202,, "BOLT M10X 20 PLATED",2,2,2,2,2,2,,,,,,,,,,,,,
11,1,,172141-62500,, "COVER, UNDER(L)",1,1,1,1,1,1,,,,,,,,,,,,,
12,1,,172141-62520,, "COVER, UNDER(R)",1,1,1,1,1,1,,,,,,,,,,,,,
12-1,1,,172141-62530,, "COVER,
UNDER(R)",1,1,1,1,1,1,N,,72160005,*1990.05,72160005,*1990.05,72160005,*1990.05,7
2160005,*1990.05,,,,,I
13,1,,22137-100000,, "WASHER 10,POLISHED",10,10,10,10,10,10,,,,,,,,,,,,,
14,1,,22217-100000,, "SPRING WASHER 10",10,10,10,10,10,10,,,,,,,,,,,,,
15,1,,26116-100202,, "BOLT M10X 20 PLATED",10,10,10,10,10,10,,,,,,,,,,,,,
16,1,,172141-65090,, "COVER(R)",1,1,1,1,1,1,,,,,,,,,,,,,
17,1,,172734-65260,, "PIN, BONNET LEVER",1,1,1,1,1,1,,,,,,,,,,,,,
18,1,,172734-65270,, "SPRING, CATCH",1,1,1,1,1,1,,,,,,,,,,,,,
19,1,,172141-65390,, "COVER(C)",1,1,1,1,1,1,,,,,,,,,,,,,
20,1,,172124-65450,, "LEVER, LOCK",1,1,1,1,1,1,,,,,,,,,,,,,
21,1,,172126-65460,, "HOOK",1,1,1,1,1,1,,,,,,,,,,,,,
22,1,,172124-65480,, "CATCHER",1,1,1,1,1,1,,,,,,,,,,,,,
23,1,,172124-65490,, "PLATE,CATCH",1,1,1,1,1,1,,,,,,,,,,,,,
24,1,,172126-65500,, "KEY",1,1,1,1,1,1,,,,,,,,,,,,,
24A,2,,172126-65571,, "WASHER LOCK",1,1,1,1,1,1,,,,,,,,,,,,,I
24B,2,,26347-100002,, "U-NUT M10",1,1,1,1,1,1,,,,,,,,,,,,,I
25,1,,172141-65640,, "COVER(B)",1,1,1,1,1,1,,,,,,,,,,,,,
26,1,,172142-65650,, "ROD, STOPPER",1,1,1,1,1,1,,,,,,,,,,,,,
27,1,,172137-65700,, "RUBBER, CUSHION",2,2,2,2,2,2,,,,,,,,,,,,,
28,1,,172141-65900,, "PLATE",1,1,1,1,1,1,,,,,,,,,,,,,
29,2,,172141-65970,, "RUBBER, PLATE",1,1,1,1,1,1,,,,,,,,,,,,,
30,2,,172141-65980,, "PLATE, COVER(B)",1,1,1,1,1,1,,,,,,,,,,,,,
31,1,,22137-100000,, "WASHER 10,POLISHED",2,2,2,2,2,2,,,,,,,,,,,,,
32,1,,22137-100000,, "WASHER 10,POLISHED",4,4,4,4,4,4,,,,,,,,,,,,,
33,1,,22137-120000,, "WASHER 12,POLISHED",4,4,4,4,4,4,,,,,,,,,,,,,
34,1,,22417-200200,, "COTTER PIN 2.0X20",2,2,2,2,2,2,,,,,,,,,,,,,
35,1,,22417-320200,, "COTTER PIN 3.2X20",4,4,4,4,4,4,,,,,,,,,,,,,
36,1,,26013-080162,, "BOLT W/WASHER M8X16",2,2,2,2,2,2,,,,,,,,,,,,,
37,1,,26013-100162,, "BOLT M10X 16",4,4,4,4,4,4,,,,,,,,,,,,,
38,1,,26013-100252,, "BOLT M10X 25",4,4,4,4,4,4,,,,,,,,,,,,,
39,1,,26013-100252,, "BOLT M10X 25",2,2,2,2,2,2,,,,,,,,,,,,,
40,1,,26013-100252,, "BOLT M10X 25",2,2,2,2,2,2,,,,,,,,,,,,,
41,1,,26013-120452,, "BOLT M12X 45",4,4,4,4,4,4,,,,,,,,,,,,,
42,1,,933152-02900,, "WASHER",2,2,2,2,2,2,,,,,,,,,,,,,
43,1,,172141-65330,, "RUBBER(R)",1,1,1,1,1,1,,,,,,,,,,,,,

Fig. 27 **ボンネット**
BONNET



1,1,,172135-14250,, "CATCH,
MAGNT" ,1,1,1,1,, ,Z,, 72143005,M11082,72143005,M11082,72143005,M11082,72143005,M11082,72143005,M11082,
082,,,
3,1,,172141-62140,, "STEP(A), CENTER",1,1,1,1,1,1,,,,,,,,,,,,,
4,1,,172141-62170,, "STEP(B), CENTER",1,1,1,1,1,1,,,,,,,,,,,,,
5,1,,172143-62210,, "STEP(T), SIDE",1,1,1,1,1,1,,,,,,,,,,,,,
6,1,,172142-62230,, "STEP CMP,FRONT T",1,1,1,1,1,1,,,,,,,,,,,,,
7,1,,172141-62250,, "BASE, SUPPORT",1,1,1,1,1,1,,,,,,,,,,,,,
8,1,,172141-78790,,RUMMER,1,1,1,1,1,1,,,,,,,,,,,,,
9,1,,22137-030000,, "WASHER
3",2,2,2,2,, ,Z,, 72143005,M11082,72143005,M11082,72143005,M11082,72143005,M11082,
,,,,I
10,1,,22137-100000,, "WASHER 10,POLISHED",1,1,1,1,1,1,,,,,,,,,,,,,
11,1,,22217-100000,, "SPRING WASHER 10",1,1,1,1,1,1,,,,,,,,,,,,,
12,1,,26013-100202,, "BOLT W/WASHER M10X20",5,5,5,5,5,5,,,,,,,,,,,,,
13,1,,26013-100202,, "BOLT W/WASHER M10X20",7,7,7,7,7,7,,,,,,,,,,,,,
14,1,,26013-100202,, "BOLT W/WASHER M10X20",1,1,1,1,1,1,,,,,,,,,,,,,
15,1,,26013-100202,, "BOLT W/WASHER M10X20",4,4,4,4,4,4,,,,,,,,,,,,,
16,1,,26116-100202,, "BOLT M10X 20 PLATED",1,1,1,1,1,1,,,,,,,,,,,,,
17,1,,26557-030122,, "SCREW M 3X
12",2,2,2,2,, ,Z,, 72143005,M11082,72143005,M11082,72143005,M11082,72143005,M11082,
,,,,I
18,1,,26717-030002,, "NUT M
3",2,2,2,2,, ,Z,, 72143005,M11082,72143005,M11082,72143005,M11082,72143005,M11082,
,,,,I
19,1,,1A1040-46460,, "WASHER 10X33X4.5",1,1,1,1,1,1,,,,,,,,,,,,,
20,1,,172143-64200,, "MOUNT, SEAT",1,1,1,1,1,1,,,,,,,,,,,,,
20-1,1,,172143-64201,, "MOUNT,
SEAT",1,1,1,1,1,1,F,1,72143020,*1990.08,72143020,*1990.08,72143020,*1990.08,7214
3020,*1990.08,,,,,I
21,1,,172143-64320,, "PLATE, SEAT",1,1,1,1,1,1,,,,,,,,,,,,,
22,1,,172141-64350,, "SEAL, MOUNT",1,1,1,1,1,1,,,,,,,,,,,,,
23,1,,172141-64370,, "CUSHION, SEAT",2,2,2,2,2,2,,,,,,,,,,,,,
24,1,,172143-64400,, "MAT, FLOOR",1,,1,,,,,,,,,,,,,
24-1,1,,172143-64401,, "MAT,
FLOOR",1,,1,,1,,N,, 72148106,M11898,, ,72148106,M11898,,,,,,I
25,1,,22117-100000,, "WASHER 10",2,2,2,2,2,2,,,,,,,,,,,,,
26,1,,22137-080000,, "WASHER 8, POLISHED",4,4,4,4,4,4,,,,,,,,,,,,,
27,1,,22217-080000,, "SPRING WASHER 8",4,4,4,4,4,4,,,,,,,,,,,,,
28,1,,22217-100000,, "SPRING WASHER 10",4,4,4,4,4,4,,,,,,,,,,,,,
29,1,,26064-080201,, "WING BOLT M 8X 20",1,1,1,1,1,1,,,,,,,,,,,,,
30,1,,26116-100202,, "BOLT M10X 20 PLATED",4,4,4,4,4,4,,,,,,,,,,,,,
31,1,,26716-080002,, "NUT M 8",4,4,4,4,4,4,,,,,,,,,,,,,
32,1,,172141-68200,,GRIP,,1,,1,,1,,,,,,,,,,,,,
33,1,,26013-100252,, "BOLT M10X 25",,2,,2,,2,,,,,,,,,,,,,
34,1,,172116-64101,, "SEAT ASSY",,,1,1,,,,,,,,,,,,,
35,2,,172116-64140,, "SLIDER R",,,1,1,,,,,,,,,,,,,
36,2,,172116-64181,, "BACK(A), SEAT",,,1,1,,,,,,,,,,,,,
37,2,,172116-64190,, "SLIDER L",,,1,1,,,,,,,,,,,,,
38,2,,172116-64211,, "CUSHION, SEAT B",,,1,1,,,,,,,,,,,,,
39,2,,26013-060162,, "BOLT M 6X 16",,,4,4,,,,,,,,,,,,,
40,2,,26022-080162,, "SCREW M 8X 16",,,4,4,,,,,,,,,,,,,
41,1,,22217-080000,, "SPRING WASHER 8",,,4,4,,,,,,,,,,,,,
42,1,,26717-080002,, "NUT M 8",,,4,4,,,,,,,,,,,,,
43,1,,26647-100152,, "WING BOLT
M10X15",1,1,1,1,1,1,W,, 72143005,M11082,72143005,M11082,72143005,M11082,72143005,
M11082,,,

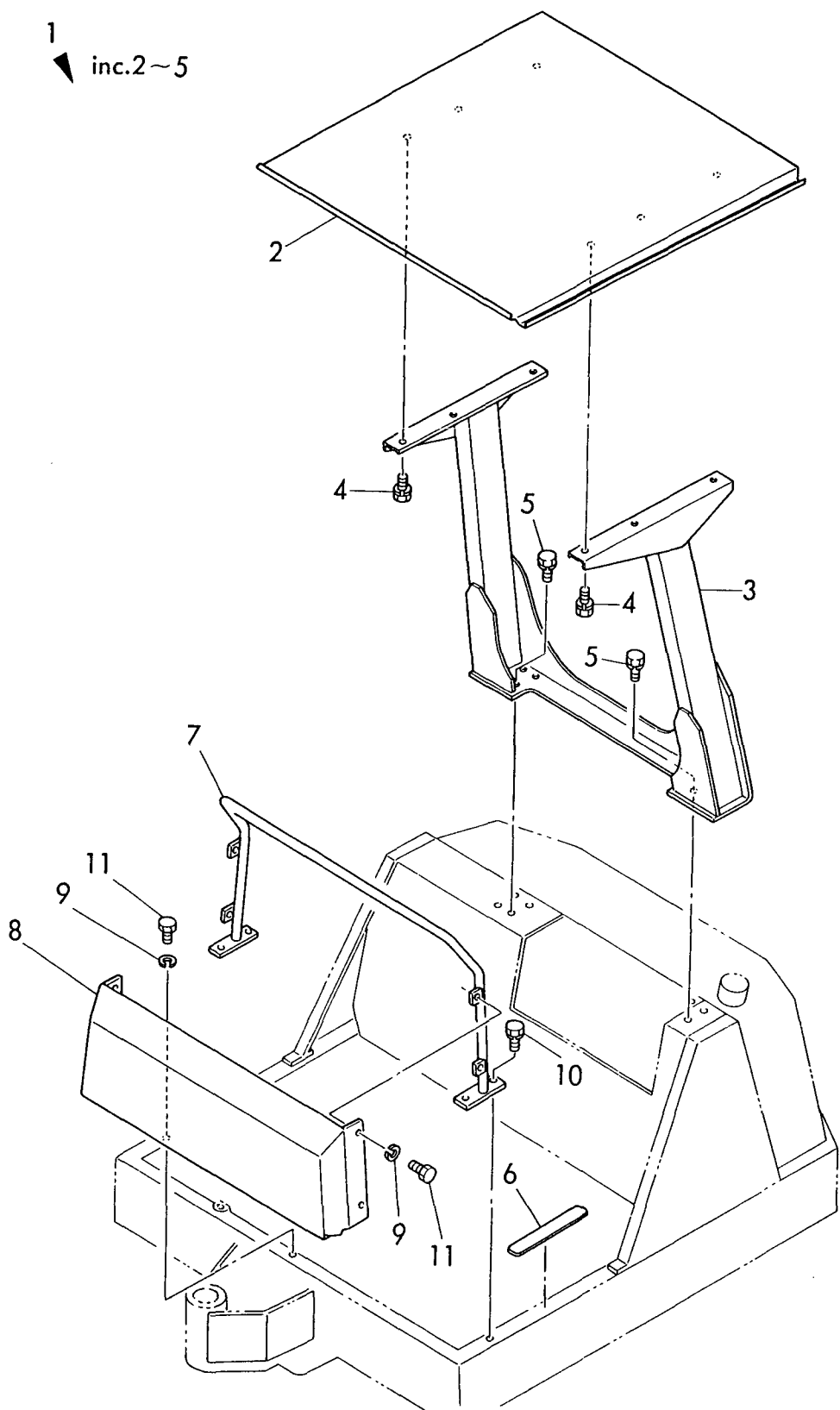
Fig. **28** シート&ステップ
SEAT & STEP



1,1,,772143-68100,,CANOPY,,1,,1,,1,,,,,,,,,,,,,
2,2,,172143-66300,,,"ROOF, CANOPY",,1,,1,,1,,,,,,,,,,,,,
3,2,,172143-66400,,,"COLUMN, CANOPY",,1,,1,,1,,,,,,,,,,,,,
4,2,,26013-100202,,,"BOLT W/WASHER M10X20",,6,,6,,6,,,,,,,,,,,,,
5,2,,26013-120302,,,"BOLT W/WASHER M12X30",,7,,7,,7,,,,,,,,,,,,,
6,1,,172143-62250,,,"SHEET, NON-SLIP",,1,,1,,1,,,,,,,,,,,,,
7,1,,172141-68310,,,"CANOPY(F)",,1,,1,,1,,,,,,,,,,,,,
8,1,,172141-68360,,,"COVER, FRONT",,1,,1,,1,,,,,,,,,,,,,
9,1,,22217-100000,,,"SPRING WASHER 10",,6,,6,,6,,,,,,,,,,,,,
10,1,,26013-100252,,,"BOLT M10X 25",,4,,4,,4,,,,,,,,,,,,,
11,1,,26116-100202,,,"BOLT M10X 20 PLATED",,6,,6,,6,,,,,,,,,,,,,

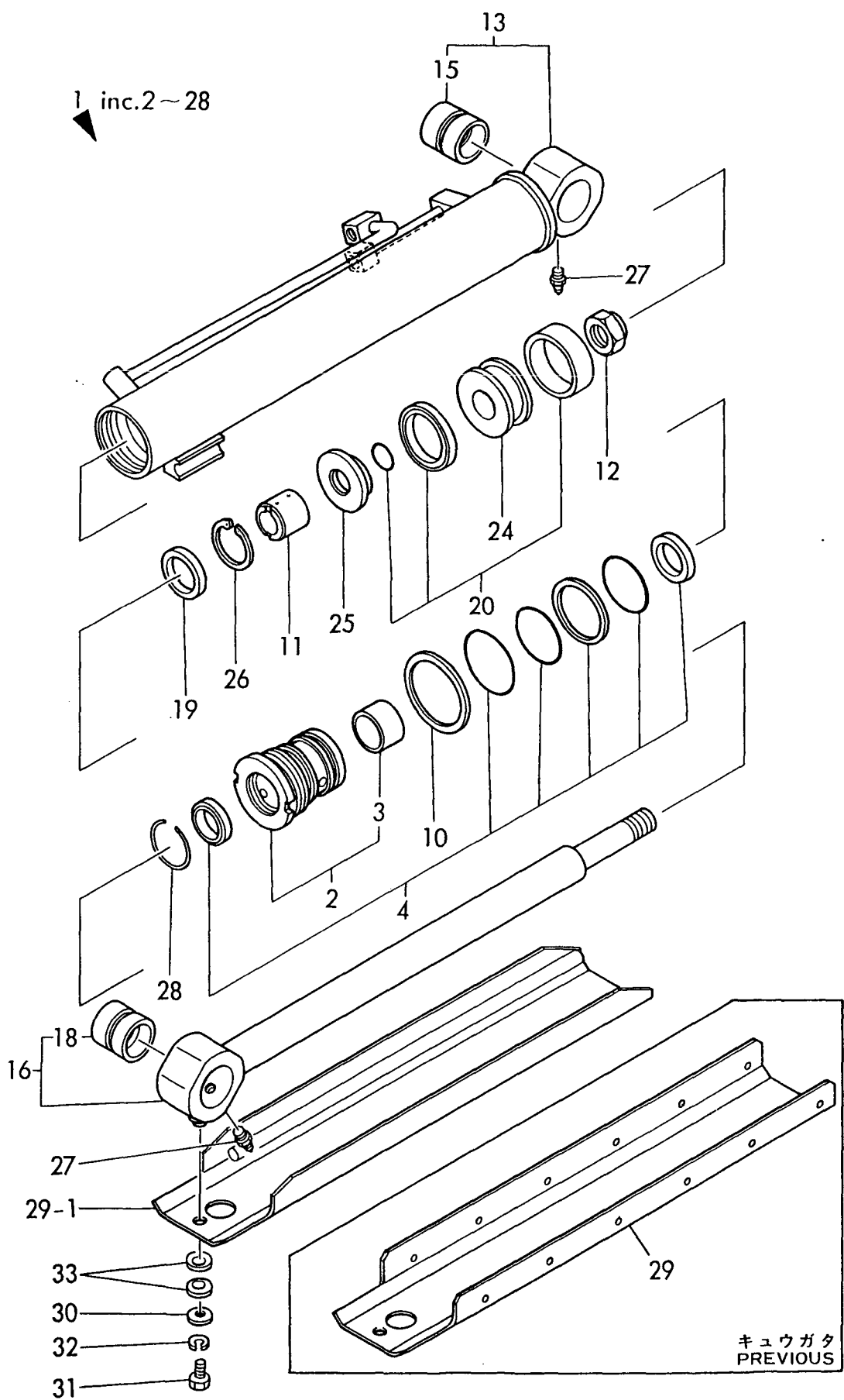
Fig. 29 ロブス
ROPS

1
inc.2~5



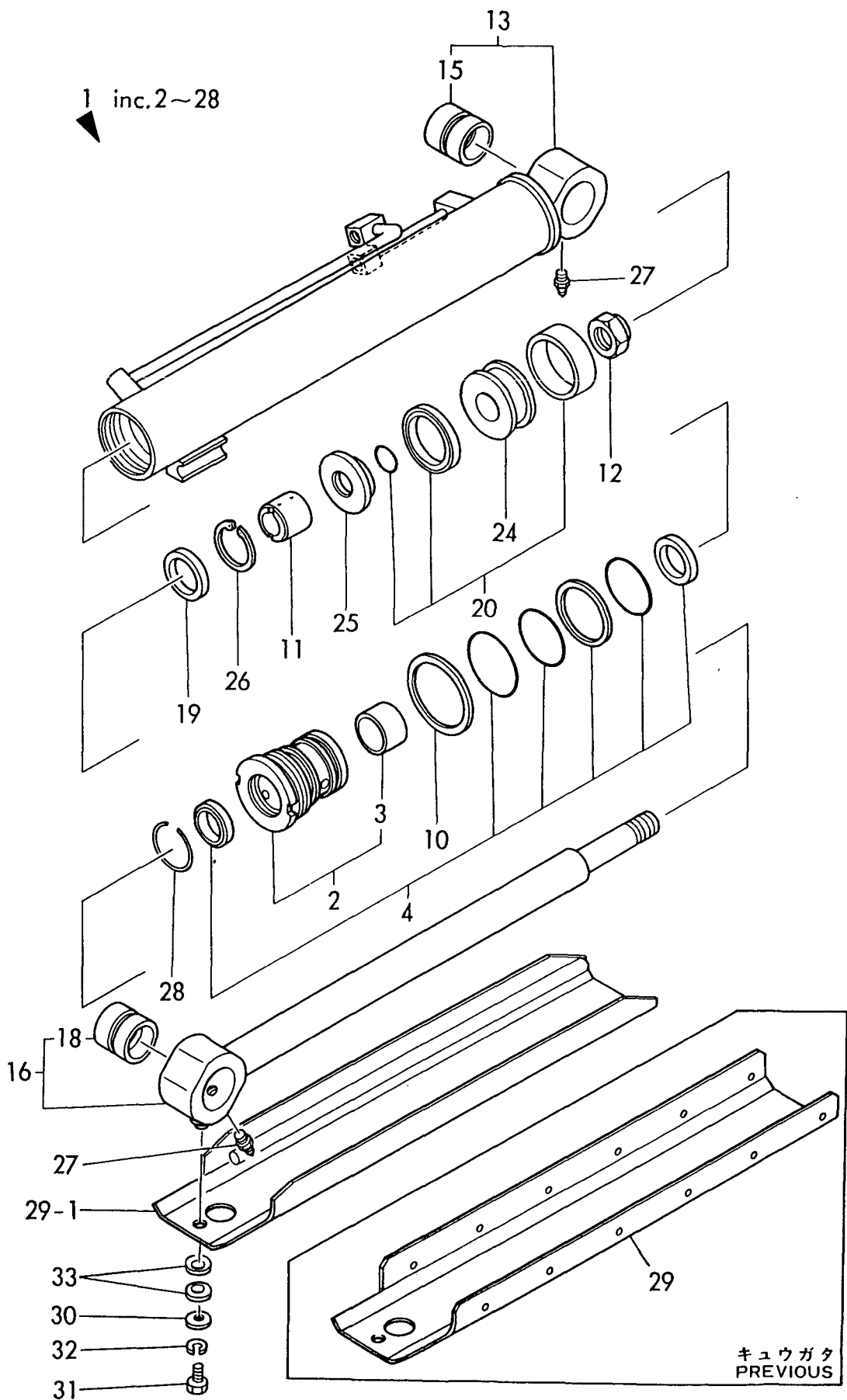
1,1,,172141-72272,, "CYLINDER ASSY,BOOM(Z" ,1,1,1,,,,,,,,,,,,,
2,2,,172141-72140,, "HEAD 75 40" ,1,1,1,,,,,,,,,,,,,
3,3,,933135-14600,, "BUSH 40 30, ROD" ,1,1,1,,,,,,,,,,,,,
4,2,,172141-71880,, "SEAL SET, HEAD" ,1,1,1,,,,,,,,,,,,,
10,2,,172141-72190,, "WASHER 75" ,1,1,1,,,,,,,,,,,,,
11,2,,172141-72220,, "PLUNGER 44C, CUSHION" ,1,1,1,,,,,,,,,,,,,
12,2,,172141-72250,, "U-NUT M27" ,1,1,1,,,,,,,,,,,,,
13,2,,172141-71771,, "TUBE(Z)W/BUSH, BOOM" ,1,1,1,,,,,,,,,,,,,
15,3,,172143-72330,, "BUSH, 38 50" ,1,1,1,,,,,,,,,,,,,
16,2,,172141-71781,, "ROD W/BUSH" ,1,1,1,,,,,,,,,,,,,
18,3,,172143-72330,, "BUSH, 38 50" ,1,1,1,,,,,,,,,,,,,
19,2,,172137-72730,, "RING 44B, CUSHION" ,1,1,1,,,,,,,,,,,,,
20,2,,172141-71911,, "SEAL SET, PISTON" ,1,1,1,,,,,,,,,,,,,
24,2,,172141-73051,, "PISTON 75 27 A" ,1,1,1,,,,,,,,,,,,,
25,2,,172141-73061,, "PISTON 75 27 B" ,1,1,1,,,,,,,,,,,,,
26,2,,22252-000561,, "CIRCLIP 56" ,1,1,1,,,,,,,,,,,,,
27,2,,24761-020000,, "NIPPLE PT1/8,GREASE" ,2,2,2,,,,,,,,,,,,,
28,2,,933111-26600,, "RING 55, SPRING" ,1,1,1,,,,,,,,,,,,,
29,1,,172141-72590,, "COVER, SLIDE" ,1,1,,,,,,,,,,,,,
29-1,1,,172141-72591,, "COVER,
SLIDE" ,1,1,1,R,,,,,72141393,*1990.11,,,,,72141393,*1990.11,,,,,I
30,1,,933147-03400,, "WASHER, BRAKE ARM" ,1,1,1,,,,,,,,,,,,,
31,1,,26116-100202,, "BOLT M10X 20 PLATED" ,1,1,1,,,,,,,,,,,,,
32,1,,22217-100000,, "SPRING WASHER 10" ,1,1,1,,,,,,,,,,,,,
33,1,,933168-14170,, "SPRING 16" ,2,2,2,,,,,,,,,,,,,

Fig. 30 ブームシリンダ(UZ)(キャノピ)
 BOOM CYLINDER (UZ)(CANOPY SPEC.)



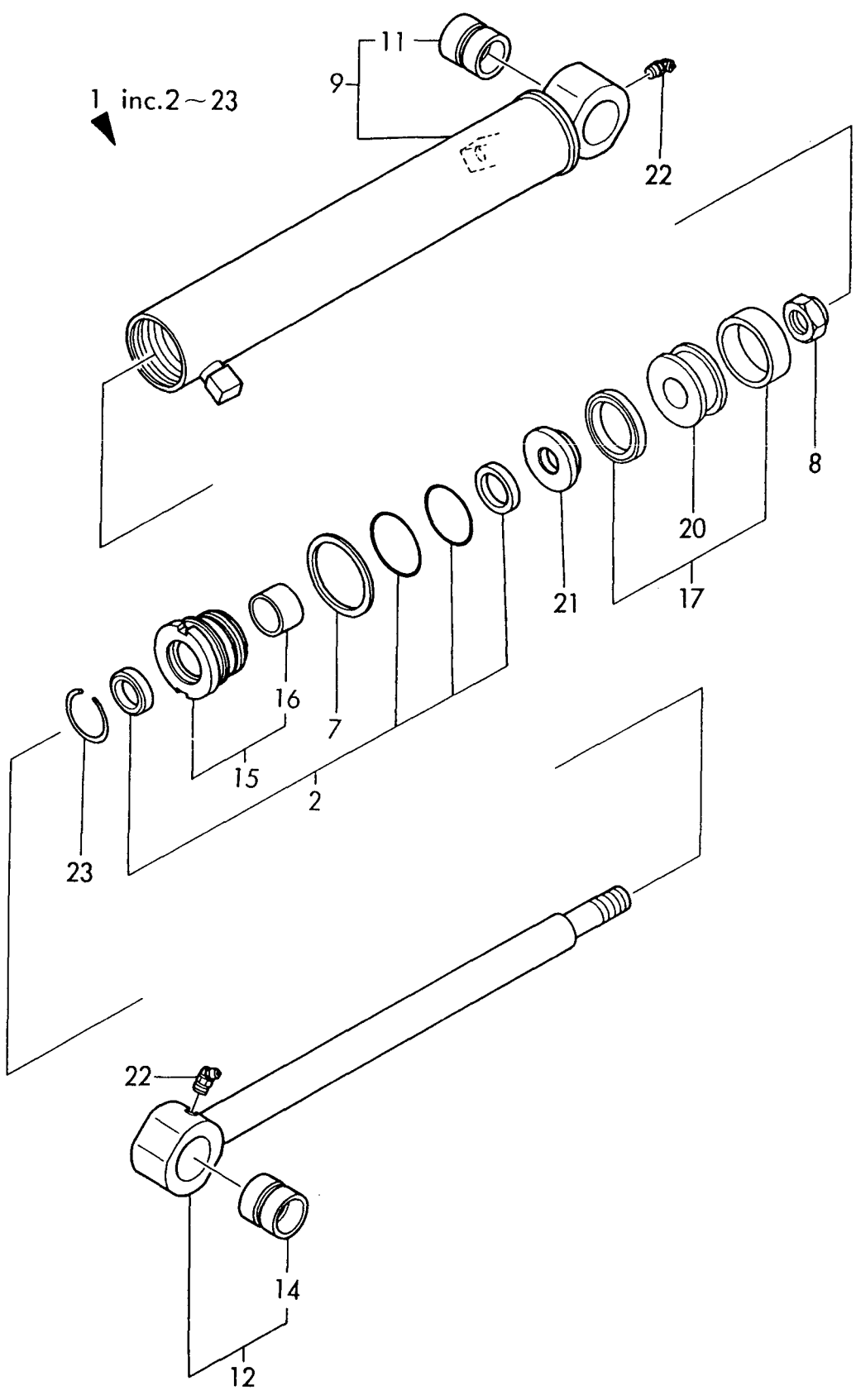
1,1,,172143-72270,, "CYLINDER ASSY, BOOM",1,,1,,1,,,,,,,,,,,,,
2,2,,172141-72140,, "HEAD 75 40",1,,1,,1,,,,,,,,,,,,,
3,3,,933135-14600,, "BUSH 40 30, ROD",1,,1,,1,,,,,,,,,,,,,
4,2,,172141-71880,, "SEAL SET, HEAD",1,,1,,1,,,,,,,,,,,,,
10,2,,172141-72190,, "WASHER 75",1,,1,,1,,,,,,,,,,,,,
11,2,,172141-72220,, "PLUNGER 44C, CUSHION",1,,1,,1,,,,,,,,,,,,,
12,2,,172141-72250,, "U-NUT M27",1,,1,,1,,,,,,,,,,,,,
13,2,,172143-72020,, "TUBE(Z), BOOM",1,,1,,1,,,,,,,,,,,,,
15,3,,172143-72330,, "BUSH, 38 50",1,,1,,1,,,,,,,,,,,,,
16,2,,172141-71781,, "ROD W/BUSH",1,,1,,1,,,,,,,,,,,,,
18,3,,172143-72330,, "BUSH, 38
50",1,,1,,1,,,,,72171001,,72171001,,72171001,,72171001,,72171001,,72171001,,I
19,2,,172137-72730,, "RING 44B, CUSHION",1,,1,,1,,,,,,,,,,,,,
20,2,,172141-71911,, "SEAL SET, PISTON",1,,1,,1,,,,,,,,,,,,,
24,2,,172141-73051,, "PISTON 75 27
A",1,,1,,1,,,,,72171067,,72171067,,72171067,,72171067,,72171067,,72171067,,I
25,2,,172141-73061,, "PISTON 75 27 B",1,,1,,1,,,,,,,,,,,,,
26,2,,22252-000561,, "CIRCLIP 56",1,,1,,1,,,,,,,,,,,,,
27,2,,24761-020000,, "NIPPLE PT1/8,GREASE",2,,2,,2,,,,,,,,,,,,,
28,2,,933111-26600,, "RING 55, SPRING",1,,1,,1,,,,,,,,,,,,,
29,1,,172141-72590,, "COVER, SLIDE",1,,1,,,,,,,,,,,,,
29-1,1,,172141-72591,, "COVER,
SLIDE",1,,1,,1,,R,,72141393,*1990.11,,72141393,*1990.11,,,,,,,,,I
30,1,,933147-03400,, "WASHER, BRAKE ARM",1,,1,,1,,,,,,,,,,,,,
31,1,,26116-100202,, "BOLT M10X 20 PLATED",1,,1,,1,,,,,,,,,,,,,
32,1,,22217-100000,, "SPRING WASHER 10",1,,1,,1,,,,,,,,,,,,,
33,1,,933168-14170,, "SPRING 16",2,,2,,2,,,,,,,,,,,,,

Fig. 31 ブームシリンダ(UZ)(キャビン)
BOOM CYLINDER (UZ)(CABIN SPEC.)



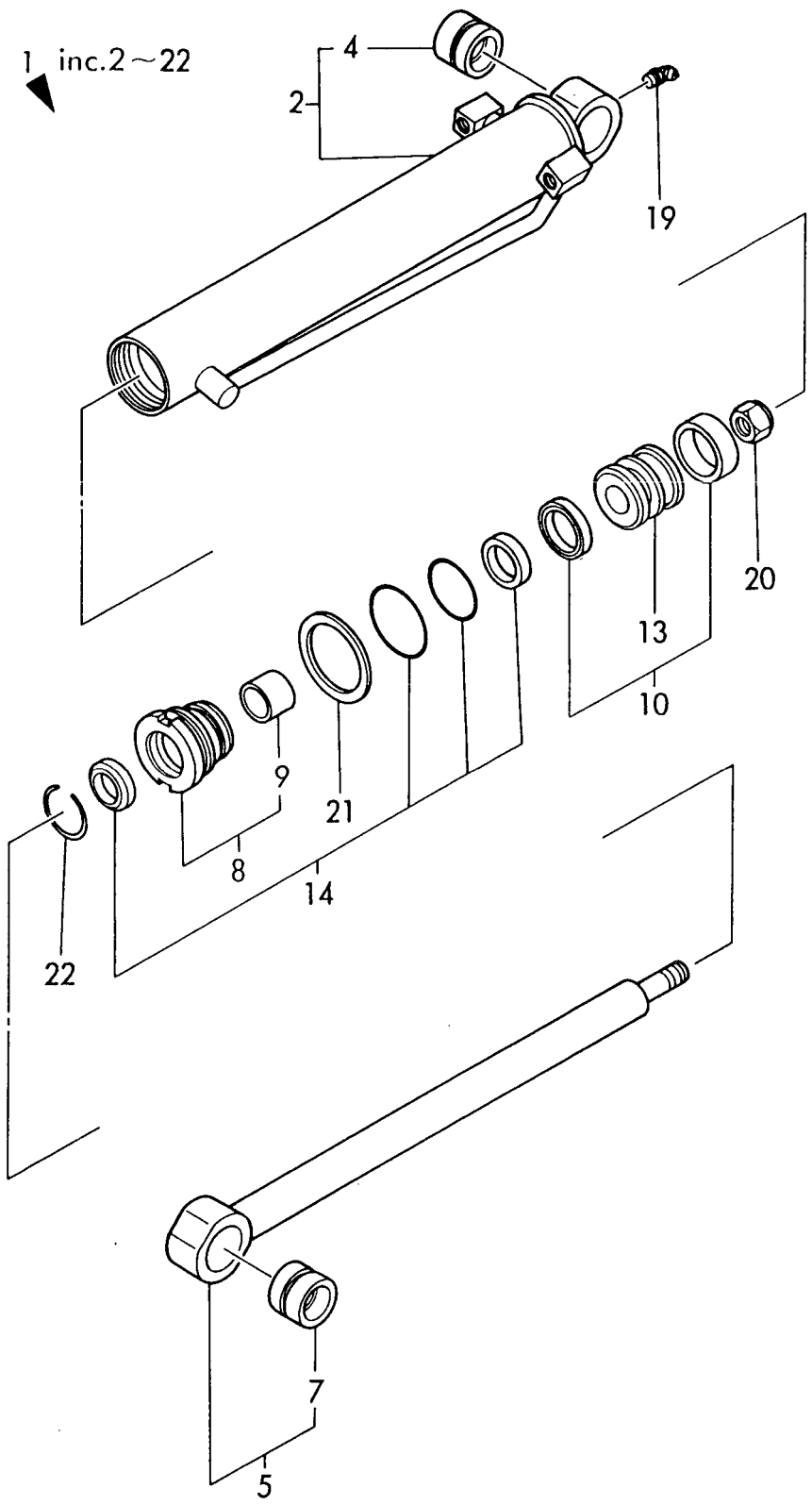
1,1,,172141-72350,, "CYLINDER ASSY, ARM",1,1,1,1,1,1,1,1,,,,,,,,,,,,,
2,2,,172141-71890,, "SEAL SET, CYL.HEAD",1,1,1,1,1,1,1,1,,,,,,,,,,,,,
7,2,,172141-72190,, "WASHER 75",1,1,1,1,1,1,1,1,,,,,,,,,,,,,
8,2,,172141-72250,, "U-NUT M27",1,1,1,1,1,1,1,1,,,,,,,,,,,,,
9,2,,172141-71790,, "TUBE W/BUSH, ARM",1,1,1,1,1,1,1,1,,,,,,,,,,,,,
11,3,,933125-12701,, "BUSH 38 50A",1,1,1,1,1,1,1,1,,,,,,,,,,,,,
12,2,,172141-71800,, "ROD W/BUSH, ARM",1,1,1,1,1,1,1,1,,,,,,,,,,,,,
14,3,,933125-12701,, "BUSH 38 50A",1,1,1,1,1,1,1,1,,,,,,,,,,,,,
15,2,,172141-72690,, "HEAD 75 40 W/BUSH",1,1,1,1,1,1,1,1,,,,,,,,,,,,,
16,3,,933135-14600,, "BUSH 40 30, ROD",1,1,1,1,1,1,1,1,,,,,,,,,,,,,
17,2,,172148-72930,, "SEAL SET, PISTON",1,1,1,1,1,1,1,1,,,,,,,,,,,,,
20,2,,172141-73051,, "PISTON 75 27 A",1,1,1,1,1,1,1,1,,,,,,,,,,,,,
21,2,,172141-73071,, "PISTON 75 27
C",1,1,1,1,1,1,1,1,,72171067,,72171067,,72171067,,72171067,,72171067,,72171067,,I
22,2,,24761-040000,, "NIPPLE B,GREASE",2,2,2,2,2,2,2,2,,,,,,,,,,,,,
23,2,,933111-26600,, "RING 55, SPRING",1,1,1,1,1,1,1,1,,,,,,,,,,,,,

Fig. 32 アームシリンダ
ARM CYLINDER



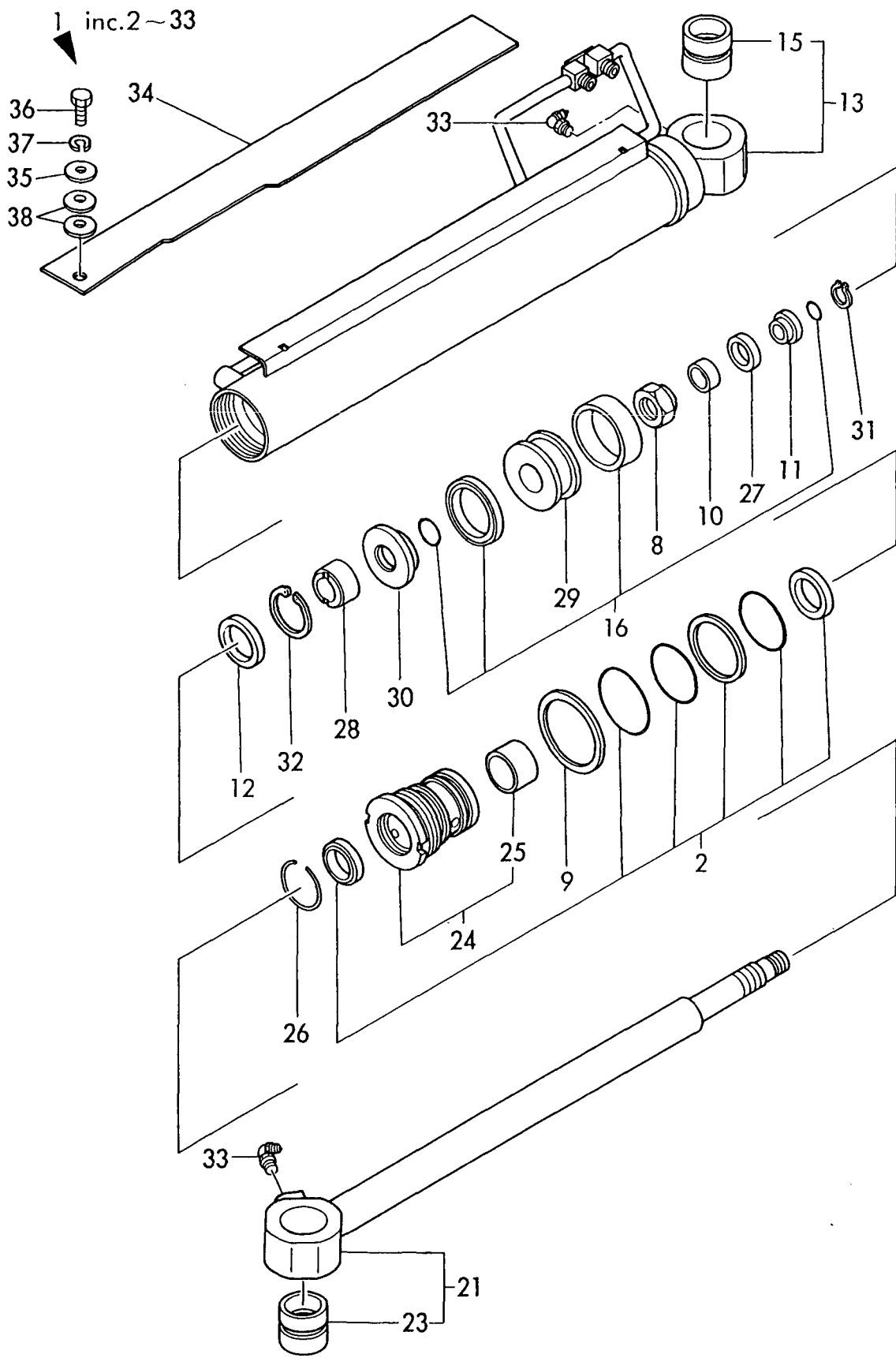
1,1,,172141-72450,, "CYLINDER ASSY, BUCKET",1,1,1,1,1,1,1,1,,,,,,,,,,,,,
2,2,,172141-71810,, "TUBE E/BUSH, BUCKET",1,1,1,1,1,1,1,1,,,,,,,,,,,,,
4,3,,172141-72560,, "BUSH 35 40 A, PIN",1,1,1,1,1,1,1,1,,,,,,,,,,,,,
5,2,,172141-71820,, "ROD W/BUSH, BUCKET",1,1,1,1,1,1,1,1,,,,,,,,,,,,,
7,3,,172141-72560,, "BUSH 35 40 A, PIN",1,1,1,1,1,1,1,1,,,,,,,,,,,,,
8,2,,172141-72540,, "HEAD 6035, CYLINDER",1,1,1,1,1,1,1,1,,,,,,,,,,,,,
9,3,,933111-01600,, "BUSH 35 30, ROD",1,1,1,1,1,1,1,1,,,,,,,,,,,,,
10,2,,172137-72452,, "SEAL SET 60A, PISTON",1,1,1,1,1,1,1,1,,,,,,,,,,,,,
13,2,,172137-72431,, "PISTON 60G",1,1,1,1,1,1,1,1,,,,,,,,,,,,,
14,2,,172141-71900,, "SEAL SET, HEAD",1,1,1,1,1,1,1,1,,,,,,,,,,,,,
19,2,,24761-040000,, "NIPPLE B, GREASE",1,1,1,1,1,1,1,1,,,,,,,,,,,,,
20,2,,172141-72580,, "NUT M20",1,1,1,1,1,1,1,1,,,,,,,,,,,,,
21,2,,933125-59600,, "WASHER 60 B, LOCK",1,1,1,1,1,1,1,1,,,,,,,,,,,,,
22,2,,172141-73090,, "RING 50, SPRING",1,1,1,1,1,1,1,1,,,,,,,,,,,,,

Fig. **33** バケツシリンダ
BUCKET CYLINDER



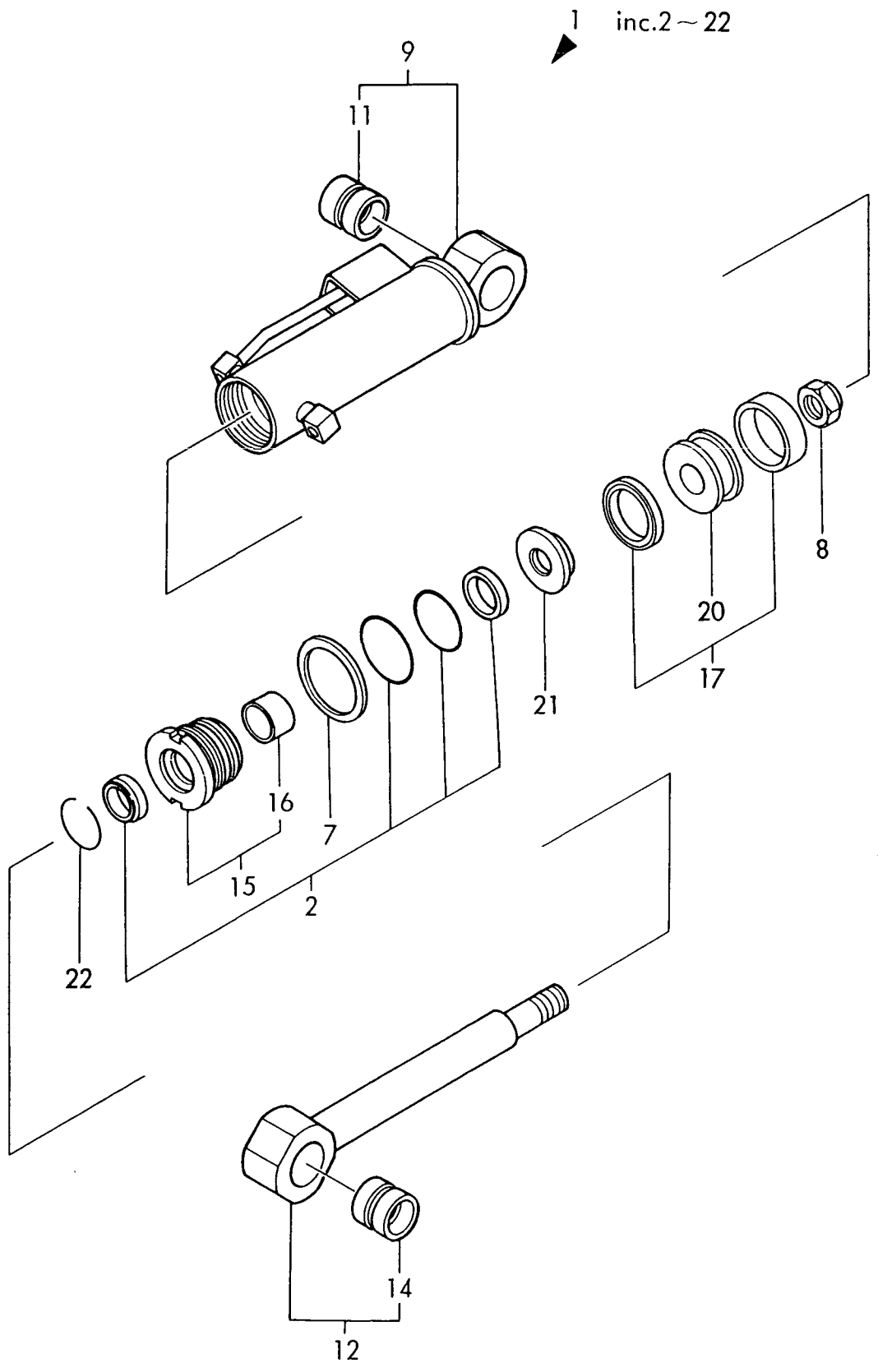
1,1,,172141-72730,, "CYL.ASSY(Z), SWING",1,1,1,1,1,1,,,,,,,,,,,,,
2,2,,172141-71880,, "SEAL SET, HEAD",1,1,1,1,1,1,,,,,,,,,,,,,
8,2,,172141-72250,, "U-NUT M27",1,1,1,1,1,1,,,,,,,,,,,,,
9,2,,172141-72190,, "WASHER 75",1,1,1,1,1,1,,,,,,,,,,,,,
10,2,,172137-72710,, "COLLAR 40B, CUSHION",1,1,1,1,1,1,,,,,,,,,,,,,
11,2,,172137-72720,, "COLLAR 40A, CUSHION",1,1,1,1,1,1,,,,,,,,,,,,,
12,2,,172137-72730,, "RING 44B, CUSHION",1,1,1,1,1,1,,,,,,,,,,,,,
13,2,,172141-71850,, "TUBE(Z) ASSY, SWING",1,1,1,1,1,1,,,,,,,,,,,,,
15,2,,933125-12701,, "BUSH 38 50A",1,1,1,1,1,1,,,,,,,,,,,,,
16,2,,172141-71921,, "SEAL SET,PISTON",1,1,1,1,1,1,,,,,,,,,,,,,
21,2,,172141-71860,, "ROD W/BUSH, SWING",1,1,1,1,1,1,,,,,,,,,,,,,
23,2,,933125-12701,, "BUSH 38 50A",1,1,1,1,1,1,,,,,,,,,,,,,
24,2,,172141-72140,, "HEAD 75 40",1,1,1,1,1,1,,,,,,,,,,,,,
25,3,,933135-14600,, "BUSH 40 30, ROD",1,1,1,1,1,1,,,,,,,,,,,,,
26,2,,933111-26600,, "RING 55, SPRING",1,1,1,1,1,1,,,,,,,,,,,,,
27,2,,172141-72920,, "RING 40, CUSHION",1,1,1,1,1,1,,,,,,,,,,,,,
28,2,,172141-72930,, "PLUGER 44, CUSHION",1,1,1,1,1,1,,,,,,,,,,,,,
29,2,,172141-73051,, "PISTON 75 27
A",1,1,1,1,1,1,, ,72171067,,72171067,,72171067,,72171067,,72171067,,72171067,,I
30,2,,172141-73061,, "PISTON 75 27 B",1,1,1,1,1,1,,,,,,,,,,,,,
31,2,,22242-000220,, "CIRCLIP 22",1,1,1,1,1,1,,,,,,,,,,,,,
32,2,,22252-000561,, "CIRCLIP 56",1,1,1,1,1,1,,,,,,,,,,,,,
33,2,,24761-050000,, "NIPPLE C,GREASE",2,2,2,2,2,2,,,,,,,,,,,,,
34,1,,172141-72880,, "COVER, SWING",1,1,1,1,1,1,,,,,,,,,,,,,
35,1,,933147-03400,, "WASHER, BRAKE ARM",1,1,1,1,1,1,,,,,,,,,,,,,
36,1,,26116-100202,, "BOLT M10X 20 PLATED",1,1,1,1,1,1,,,,,,,,,,,,,
37,1,,22217-100000,, "SPRING WASHER 10",1,1,1,1,1,1,,,,,,,,,,,,,
38,1,,933168-14170,, "SPRING 16",2,2,2,2,2,2,,,,,,,,,,,,,

Fig. 34 スイングシリンダ
SWING CYLINDER



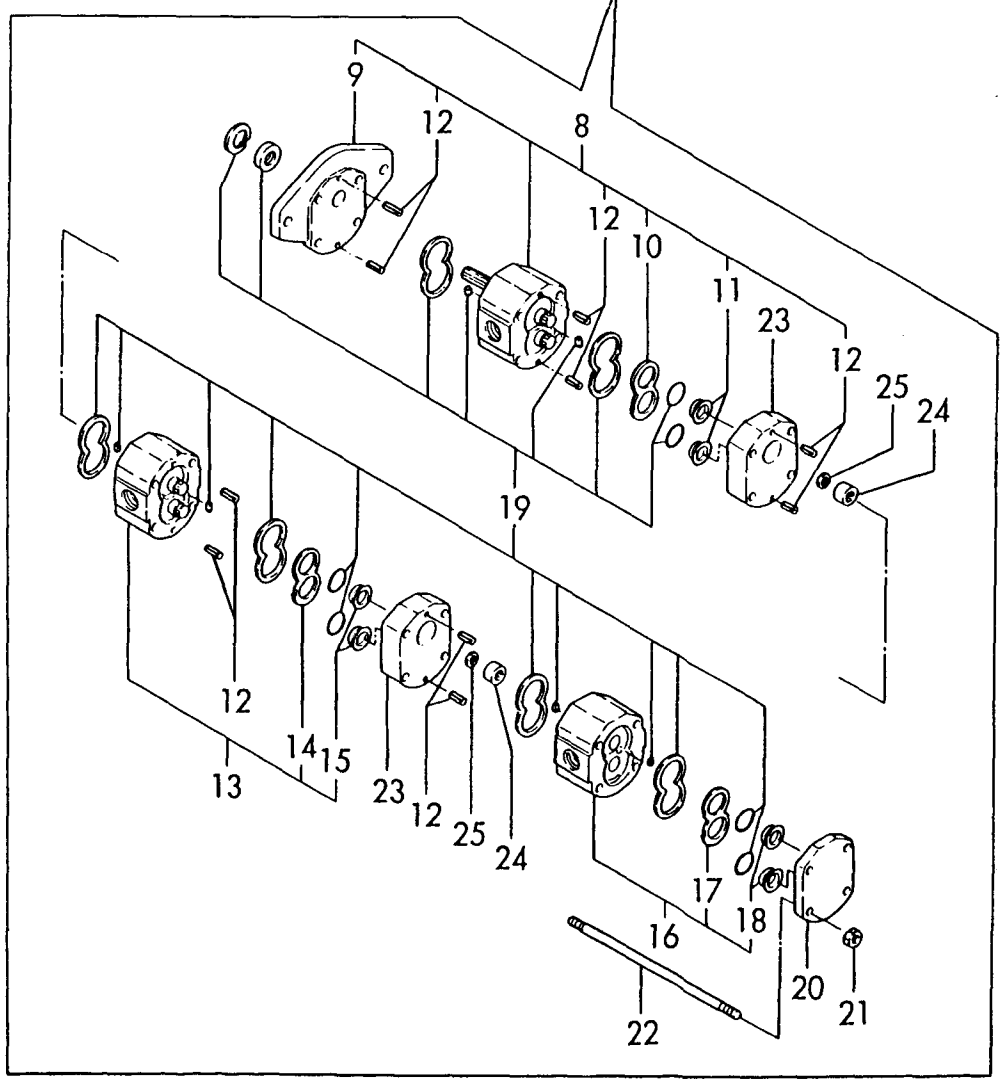
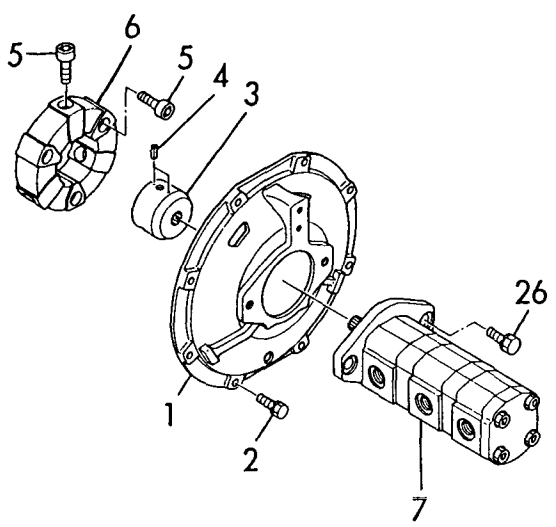
1,1,,172141-72600,, "CYLINDER ASSY, BLADE",1,1,1,1,1,1,1,1,,,,,,,,,,,,,
2,2,,172141-71890,, "SEAL SET, CYL.HEAD",1,1,1,1,1,1,1,1,,,,,,,,,,,,,
7,2,,172141-72190,, "WASHER 75",1,1,1,1,1,1,1,1,,,,,,,,,,,,,
8,2,,172141-72250,, "U-NUT M27",1,1,1,1,1,1,1,1,,,,,,,,,,,,,
9,2,,172141-71830,, "TUBE W/BUSH, BLADE",1,1,1,1,1,1,1,1,,,,,,,,,,,,,
11,3,,933125-12701,, "BUSH 38 50A",1,1,1,1,1,1,1,1,,,,,,,,,,,,,
12,2,,172141-71840,, "ROD W/BUSH, BLADE",1,1,1,1,1,1,1,1,,,,,,,,,,,,,
14,3,,933125-12701,, "BUSH 38 50A",1,1,1,1,1,1,1,1,,,,,,,,,,,,,
15,2,,172141-72690,, "HEAD 75 40 W/BUSH",1,1,1,1,1,1,1,1,,,,,,,,,,,,,
16,3,,933135-14600,, "BUSH 40 30, ROD",1,1,1,1,1,1,1,1,,,,,,,,,,,,,
17,2,,172148-72930,, "SEAL SET, PISTON",1,1,1,1,1,1,1,1,,,,,,,,,,,,,
20,2,,172141-73051,, "PISTON 75 27
A",1,1,1,1,1,1,, ,72171067,,72171067,,72171067,,72171067,,72171067,,72171067,,I
21,2,,172141-73071,, "PISTON 75 27
C",1,1,1,1,1,1,, ,72171067,,72171067,,72171067,,72171067,,72171067,,72171067,,I
22,2,,933111-26600,, "RING 55, SPRING",1,1,1,1,1,1,1,1,,,,,,,,,,,,,

Fig. **35** ブレードシリンダ
BLADE CYLINDER



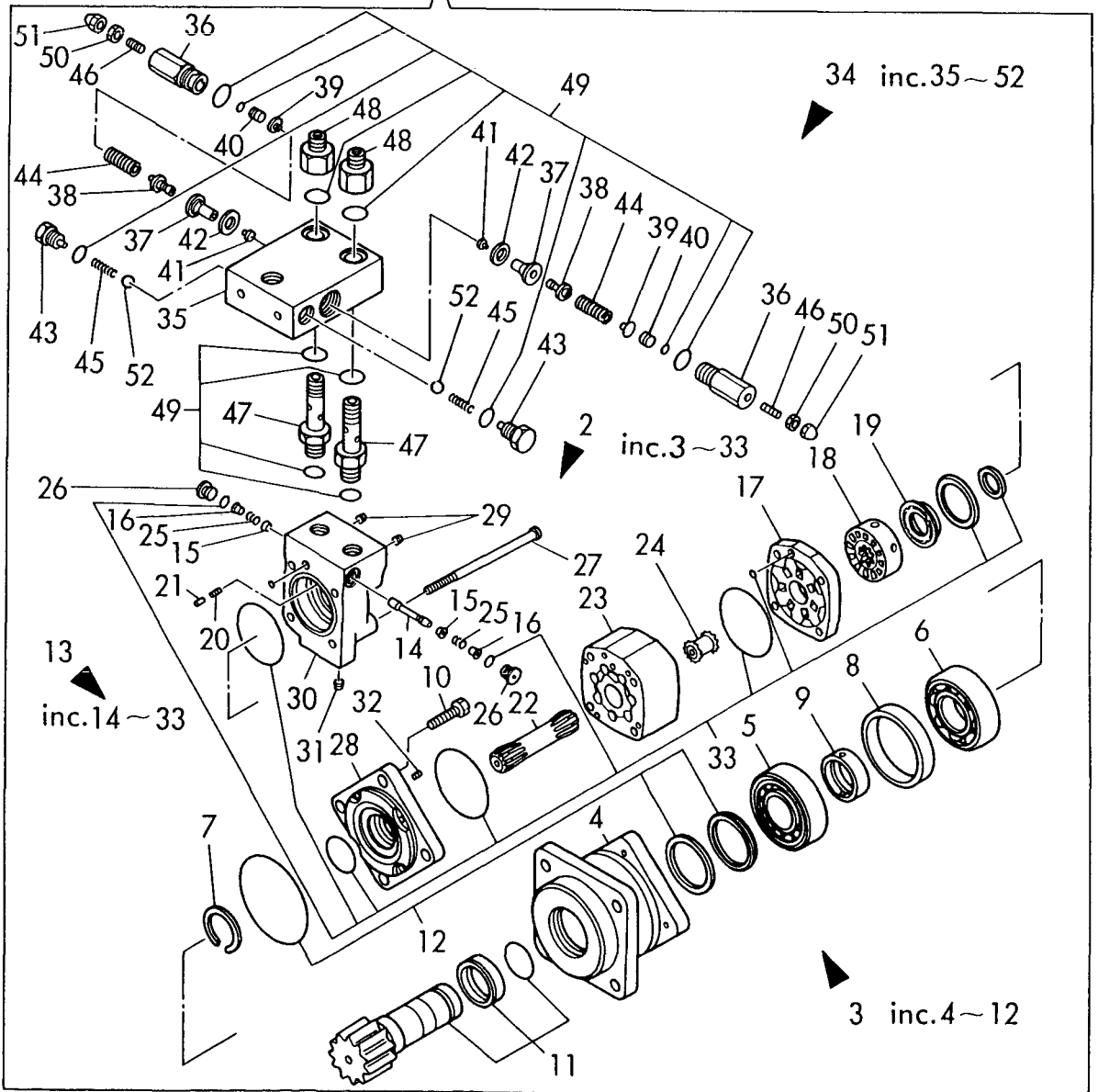
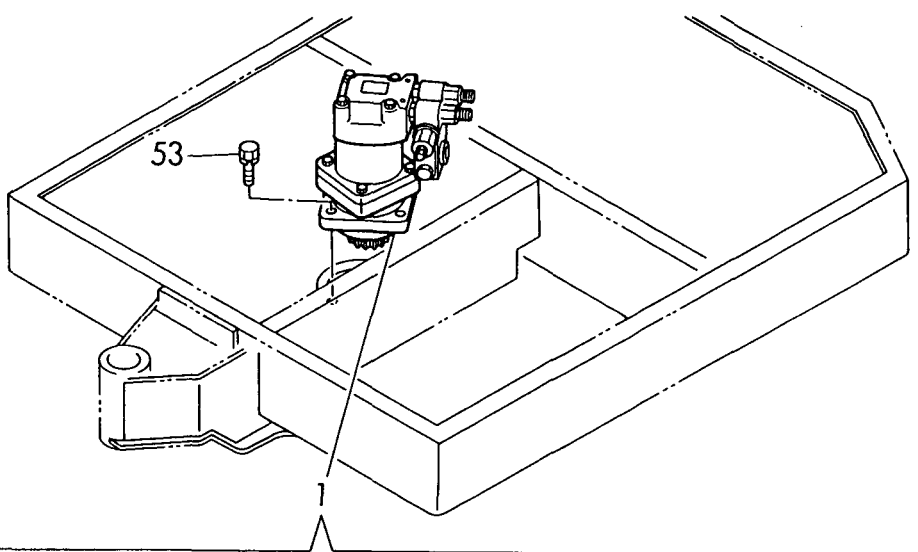
1,1,,172141-71100,, "COVER, FLYWHEEL",1,1,1,1,1,1,,,,,,,,,,,,,
2,1,,26013-100302,, "BOLT M10X 30",8,8,8,8,8,8,,,,,,,,,,,,,
3,1,,172141-71210,, "COUPLING, PUMP",1,1,1,1,1,1,,,,,,,,,,,,,
4,1,,22351-050010,, "SPRING PIN 5X10",6,6,6,6,6,6,,,,,,,,,,,,,
5,1,,26450-120402,, "BOLT M12X 40",6,6,6,6,6,6,,,,,,,,,,,,,
6,1,,933171-23101,, "COUPLING CF16",1,1,1,1,1,1,,,,,,,,,,,,,
7,1,,172141-73100,, "PUMP ASSY, HYD.OIL",1,1,1,1,1,1,,,,,,,,,,,,,
8,2,,172141-73110,, "PUMP, FRONT",1,1,1,1,1,1,,,,,,,,,,,,,
9,3,,172141-73190,, "FRAME",1,1,1,1,1,1,,,,,,,,,,,,,
10,3,,172141-73220,, "PLATE",1,1,1,1,1,1,,,,,,,,,,,,,
11,3,,172141-73230,, "GUIDE",2,2,2,2,2,2,,,,,,,,,,,,,
12,3,,172141-73240,, "PIN, PARALLEL",10,10,10,10,10,10,,,,,,,,,,,,,
13,2,,172141-73120,, "PUMP, CENTER",1,1,1,1,1,1,,,,,,,,,,,,,
14,3,,172141-73220,, "PLATE",1,1,1,1,1,1,,,,,,,,,,,,,
15,3,,172141-73230,, "GUIDE",2,2,2,2,2,2,,,,,,,,,,,,,
16,2,,172141-73130,, "PUMP, REAR",1,1,1,1,1,1,,,,,,,,,,,,,
17,3,,172141-73220,, "PLATE",1,1,1,1,1,1,,,,,,,,,,,,,
18,3,,172141-73230,, "GUIDE",2,2,2,2,2,2,,,,,,,,,,,,,
19,2,,172141-73140,, "SEAL SET",1,1,1,1,1,1,,,,,,,,,,,,,
20,2,,172141-73150,, "COVER, REAR",1,1,1,1,1,1,,,,,,,,,,,,,
21,2,,172141-73160,, "NUT",4,4,4,4,4,4,,,,,,,,,,,,,
22,2,,172141-73170,, "STUD",4,4,4,4,4,4,,,,,,,,,,,,,
23,2,,172141-73180,, "FRAME",2,2,2,2,2,2,,,,,,,,,,,,,
24,2,,172141-73200,, "COUPLING",2,2,2,2,2,2,,,,,,,,,,,,,
25,2,,172141-73210,, "CIRCLIP",2,2,2,2,2,2,,,,,,,,,,,,,
26,1,,26013-120352,, "BOLT M12X 35",4,4,4,4,4,4,,,,,,,,,,,,,

Fig. 36 **ポンプ&ジクツギテ**
HYD. OIL PUMP & JOINT



1,1,,172141-73300,, "MOTOR ASSY, TURNING",1,1,1,1,1,1,,,,,,,,,,,,,
2,2,,172141-77000,, "MOTOR, TURNING",1,1,1,1,1,1,,,,,,,,,,,,,
3,3,,172141-77410,, "GEAR ASSY, PINION",1,1,1,1,1,1,,,,,,,,,,,,,
4,4,,172141-77010,, "HOUSING, BEARING",1,1,1,1,1,1,,,,,,,,,,,,,
5,4,,172141-77030,, "BEARING, ROLLER",1,1,1,1,1,1,,,,,,,,,,,,,
6,4,,172141-77040,, "BEARING",1,1,1,1,1,1,,,,,,,,,,,,,
7,4,,172141-77050,, "RING, RETAINING",1,1,1,1,1,1,,,,,,,,,,,,,
8,4,,172141-77060,, "SPACER, BEARING",1,1,1,1,1,1,,,,,,,,,,,,,
9,4,,172141-77070,, "SPACER, BEARING",1,1,1,1,1,1,,,,,,,,,,,,,
10,4,,172141-77110,, "BOLT",4,4,4,4,4,4,,,,,,,,,,,,,
11,4,,172141-77460,, "GEAR SUB ASSY, PINION",1,1,1,1,1,1,,,,,,,,,,,,,
12,4,,172141-77430,, "SEAL SET, PINION",1,1,1,1,1,1,,,,,,,,,,,,,
13,3,,172141-77420,, "MOTOR",1,1,1,1,1,1,,,,,,,,,,,,,
14,4,,172141-77120,, "PISTON",1,1,1,1,1,1,,,,,,,,,,,,,
15,4,,172141-77130,, "POPPET",2,2,2,2,2,2,,,,,,,,,,,,,
16,4,,172141-77140,, "SLEEVE",2,2,2,2,2,2,,,,,,,,,,,,,
17,4,,172141-77160,, "PLATE, VALVE",1,1,1,1,1,1,,,,,,,,,,,,,
18,4,,172141-77180,, "VALVE",1,1,1,1,1,1,,,,,,,,,,,,,
19,4,,172141-77190,, "PLATE, BALANCING",1,1,1,1,1,1,,,,,,,,,,,,,
20,4,,172141-77200,, "SPRING",2,2,2,2,2,2,,,,,,,,,,,,,
21,4,,172141-77220,, "PIN",2,2,2,2,2,2,,,,,,,,,,,,,
22,4,,172141-77240,, "DRIVE",1,1,1,1,1,1,,,,,,,,,,,,,
23,4,,172141-77250,, "ROLLER",1,1,1,1,1,1,,,,,,,,,,,,,
24,4,,172141-77260,, "VALVE DRIVE",1,1,1,1,1,1,,,,,,,,,,,,,
25,4,,172141-77270,, "SPRING",2,2,2,2,2,2,,,,,,,,,,,,,
26,4,,172141-77280,, "PLUG",2,2,2,2,2,2,,,,,,,,,,,,,
27,4,,172141-77310,, "BOLT",4,4,4,4,4,4,,,,,,,,,,,,,
28,4,,172141-77340,, "FLANGEMOUTING",1,1,1,1,1,1,,,,,,,,,,,,,
29,4,,172141-77380,, "PLUG",2,2,2,2,2,2,,,,,,,,,,,,,
30,4,,172141-77390,, "HOUSING, VALVE",1,1,1,1,1,1,,,,,,,,,,,,,
31,4,,172141-77400,, "PLUG, BLIND",1,1,1,1,1,1,,,,,,,,,,,,,
32,4,,172141-77450,, "SPRING, ORIFICE",1,1,1,1,1,1,,,,,,,,,,,,,
33,4,,172141-77440,, "SEAL KIT, MOTOR",1,1,1,1,1,1,,,,,,,,,,,,,
34,2,,172141-77500,, "VALVE, BRAKE",1,1,1,1,1,1,,,,,,,,,,,,,
35,3,,172141-77510,, "BODY, VALVE",1,1,1,1,1,1,,,,,,,,,,,,,
36,3,,172141-77520,, "FILTER",2,2,2,2,2,2,,,,,,,,,,,,,
37,3,,172141-77530,, "SEAT, VALVE",2,2,2,2,2,2,,,,,,,,,,,,,
38,3,,172141-77540,, "VALVE, NEEDLE",2,2,2,2,2,2,,,,,,,,,,,,,
39,3,,172141-77550,, "SEAT, SPRING",2,2,2,2,2,2,,,,,,,,,,,,,
40,3,,172141-77560,, "PUSH-ROD, SPRING",2,2,2,2,2,2,,,,,,,,,,,,,
41,3,,172141-77570,, "PLUG, ORIFICE",2,2,2,2,2,2,,,,,,,,,,,,,
42,3,,172141-77580,, "GASKET",2,2,2,2,2,2,,,,,,,,,,,,,
43,3,,172141-77590,, "PLUG, CHECK",2,2,2,2,2,2,,,,,,,,,,,,,
44,3,,172141-77600,, "SPRING",2,2,2,2,2,2,,,,,,,,,,,,,
45,3,,172141-77610,, "SPRING",2,2,2,2,2,2,,,,,,,,,,,,,
46,3,,172141-77620,, "SCREW M 6X 18",2,2,2,2,2,2,,,,,,,,,,,,,
47,3,,172141-77650,, "VALVE FITTING",2,2,2,2,2,2,,,,,,,,,,,,,
48,3,,172141-77660,, "ADAPTER",2,2,2,2,2,2,,,,,,,,,,,,,
49,3,,172141-77670,, "SEAL KIT, BRAKE VALVE",1,1,1,1,1,1,,,,,,,,,,,,,
50,3,,26756-060002,, "LOCK NUT M 6 PLATED",2,2,2,2,2,2,,,,,,,,,,,,,
51,3,,26657-060002,, "CAP NUT M 6",2,2,2,2,2,2,,,,,,,,,,,,,
52,3,,24190-140001,, "BALL 7/16, STEEL",2,2,2,2,2,2,,,,,,,,,,,,,
53,1,,26013-120402,, "BOLT M12X 40",4,4,4,4,4,4,,,,,,,,,,,,,

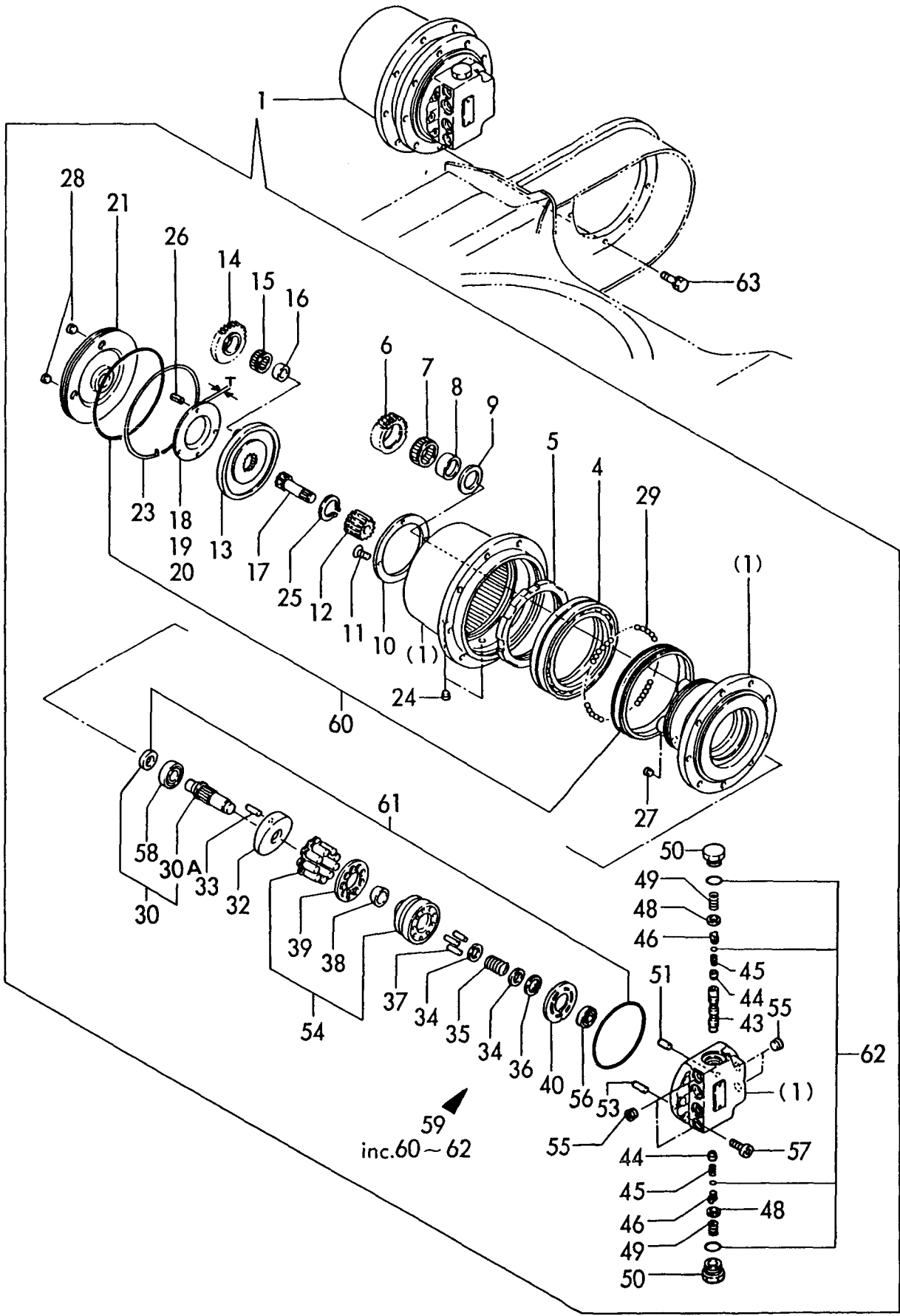
Fig. **37** センカイモータ
TURNING MOTOR



1,1,,172141-73350,, "MOTOR ASSY, DRIVE",2,2,2,2,2,2,,,,,,,,,,,,,
4,3,,172141-70030,, "BEARING, ANGULAR",2,2,2,2,2,2,,,,,,,,,,,,,
5,3,,172141-70040,, "NUT, RING",2,2,2,2,2,2,,,,,,,,,,,,,
6,3,,172141-70060,, "GEAR(B), PLANETARY",8,8,8,8,8,8,,,,,,,,,,,,,
7,3,,172141-70070,, "CAGE & ROLLER",8,8,8,8,8,8,,,,,,,,,,,,,
8,3,,172141-70080,, "COLLAR",8,8,8,8,8,8,,,,,,,,,,,,,
9,3,,172141-70090,, "WASHER, THRUST",8,8,8,8,8,8,,,,,,,,,,,,,
10,3,,172141-70100,, "PLATE, THRUST",2,2,2,2,2,2,,,,,,,,,,,,,
11,3,,172141-70110,, "SCREW",8,8,8,8,8,8,,,,,,,,,,,,,
12,3,,172141-70120,, "GEAR, SUN",2,2,2,2,2,2,,,,,,,,,,,,,
13,3,,172141-70130,, "HOLDER",2,2,2,2,2,2,,,,,,,,,,,,,
14,3,,172141-70140,, "GEAR(A), PLANETARY",6,6,6,6,6,6,,,,,,,,,,,,,
15,3,,172141-70150,, "CAGE & ROLLER",6,6,6,6,6,6,,,,,,,,,,,,,
16,3,,172141-70160,, "INNER LACE",6,6,6,6,6,6,,,,,,,,,,,,,
17,3,,172141-70170,, "GEAR, DRIVE",2,2,2,2,2,2,,,,,,,,,,,,,
18,3,,172141-70180,, "PLATE(T1.8), THRUST",2,2,2,2,2,2,1,,,,,,,,,,,,,
19,3,,172141-70190,, "PLATE(T2.3), THRUST",2,2,2,2,2,2,1,,,,,,,,,,,,,
20,3,,172141-70200,, "PLATE(T2.8), THRUST",2,2,2,2,2,2,1,,,,,,,,,,,,,
21,3,,172141-70210,, "COVER",2,2,2,2,2,2,,,,,,,,,,,,,
23,3,,172141-70230,, "WIRE",2,2,2,2,2,2,,,,,,,,,,,,,
24,3,,172122-73430,, "PLUG",4,4,4,4,4,4,,,,,,,,,,,,,
25,3,,22242-000350,, "CIRCLIP 35",2,2,2,2,2,2,,,,,,,,,,,,,
26,3,,22351-050016,, "SPRING PIN 5X16",6,6,6,6,6,6,,,,,,,,,,,,,
27,3,,23871-020000,, "PLUG PT1/4,SCREW",4,4,4,4,4,4,,,,,,,,,,,,,
28,3,,23871-030000,, "PLUG PT3/8,SCREW",4,4,4,4,4,4,,,,,,,,,,,,,
29,3,,24190-050001,, "BALL 5/32",62,62,62,62,62,62,,,,,,,,,,,,,
30,2,,172142-73590,, "SHAFT W/OIL SEAL",2,2,2,2,2,2,,,,,,,,,,,,,
30A,3,,172141-70240,, "SHAFT",2,2,2,2,2,2,,,,,,,,,,,,,
32,2,,172141-70260,, "PLATE",2,2,2,2,2,2,,,,,,,,,,,,,
33,2,,172141-70270,, "PIN",2,2,2,2,2,2,,,,,,,,,,,,,
34,2,,172141-70290,, "HOLDER, SPRING",4,4,4,4,4,4,,,,,,,,,,,,,
35,2,,172141-70300,, "SPRING",2,2,2,2,2,2,,,,,,,,,,,,,
36,2,,172141-70310,, "SNAP RING",2,2,2,2,2,2,,,,,,,,,,,,,
37,2,,172141-70320,, "PIN",6,6,6,6,6,6,,,,,,,,,,,,,
38,2,,172141-70330,, "HOLDER, RETAINER",2,2,2,2,2,2,,,,,,,,,,,,,
39,2,,172141-70340,, "PLATE, RETAINER",2,2,2,2,2,2,,,,,,,,,,,,,
40,2,,172141-70360,, "PLATE, VALVE",2,2,2,2,2,2,,,,,,,,,,,,,
43,3,,172141-70400,, "PLUNGER",2,2,2,2,2,2,,,,,,,,,,,,,
44,3,,172141-70410,, "VALVE, CHECK",4,4,4,4,4,4,,,,,,,,,,,,,
45,3,,172141-70420,, "SPRING",4,4,4,4,4,4,,,,,,,,,,,,,
46,3,,172141-70430,, "PLUG",4,4,4,4,4,4,,,,,,,,,,,,,
48,3,,172141-70450,, "SEAT, SPRING",4,4,4,4,4,4,,,,,,,,,,,,,
49,3,,172141-70460,, "SPRING",4,4,4,4,4,4,,,,,,,,,,,,,
50,3,,172141-70470,, "CAP",4,4,4,4,4,4,,,,,,,,,,,,,
51,3,,172141-70480,, "PIN",2,2,2,2,2,2,,,,,,,,,,,,,
53,2,,172141-70490,, "PIN",4,4,4,4,4,4,,,,,,,,,,,,,
54,2,,172141-70540,, "CYLINDER BLOCK S/A",2,2,2,2,2,2,,,,,,,,,,,,,
55,2,,23871-020000,, "PLUG PT1/4,SCREW",8,8,8,8,8,8,,,,,,,,,,,,,
56,2,,24101-060024,, "BALL BEARING",2,2,2,2,2,2,,,,,,,,,,,,,
57,2,,26450-080202,, "BOLT M 8X 20",12,12,12,12,12,12,,,,,,,,,,,,,
58,2,,24101-060040,, "BALL BEARING",2,2,2,2,2,2,,,,,,,,,,,,,
59,2,,172141-70500,, "SEAL ASSY",2,2,2,2,2,2,,,,,,,,,,,,,
60,3,,172141-70510,, "SEAL SET, REDUCTION",2,2,2,2,2,2,,,,,,,,,,,,,
61,3,,172141-70520,, "SEAL SET, MOTOR",2,2,2,2,2,2,,,,,,,,,,,,,
62,3,,172141-70530,, "SEAL SET, BASE PLATE",2,2,2,2,2,2,,,,,,,,,,,,,
63,1,,26013-120302,, "BOLT W/WASHER M12X30",18,18,18,18,18,18,,,,,,,,,,,,

ソウコウモータ
TRAVEL MOTOR

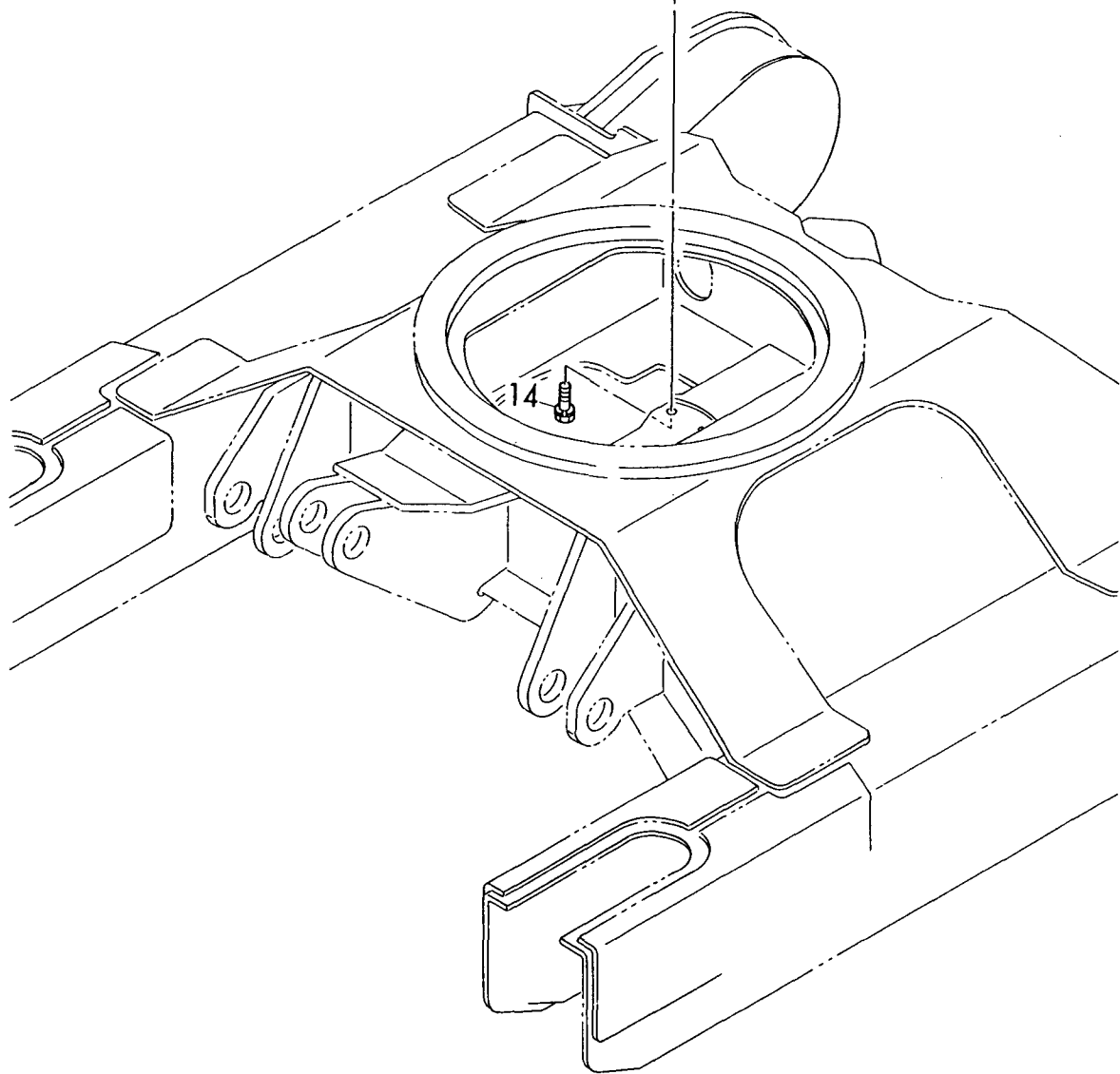
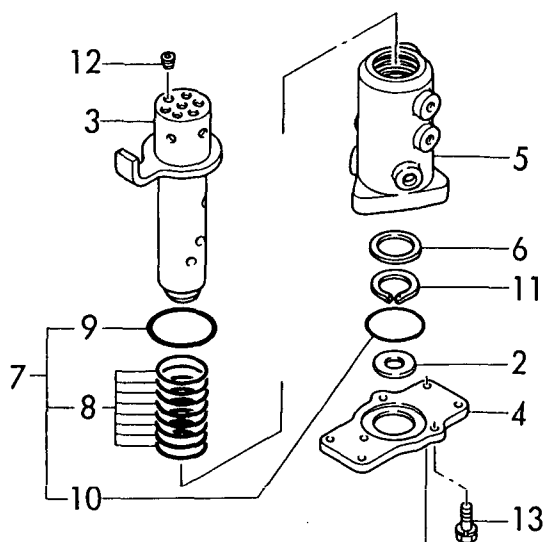
Fig. 38



1,1,,172141-73800,, "JOINT, SWIVEL",1,1,1,1,1,1,,,,,,,,,,,,,
2,2,,194630-31910,, "LINER 22.5X40X2",1,1,1,1,1,1,,,,,,,,,,,,,
3,2,,172141-73810,, "SHAFT, SWIVEL",1,1,1,1,1,1,,,,,,,,,,,,,
4,2,,172131-73830,, "FLANGE, SWIVEL",1,1,1,1,1,1,,,,,,,,,,,,,
5,2,,172141-73830,, "HUB, SWIVEL",1,1,1,1,1,1,,,,,,,,,,,,,
6,2,,172137-73860,, "SPACER, SWIVEL",1,1,1,1,1,1,,,,,,,,,,,,,
7,2,,172141-73890,, "SEAL SET, SWIVEL",1,1,1,1,1,1,,,,,,,,,,,,,
8,3,,172142-73800,, "O-RING 55.76X5.7",8,8,8,8,8,8,,,,,,,,,,,,,
9,3,,24311-000750,, "O-RING 1A P-75.0",1,1,1,1,1,1,,,,,,,,,,,,,
10,3,,24321-000700,, "O-RING 1A G70",1,1,1,1,1,1,,,,,,,,,,,,,
11,2,,22242-000451,, "CIRCLIP 45",1,1,1,1,1,1,,,,,,,,,,,,,
12,2,,23871-020000,, "PLUG PT1/4, SCREW",6,6,6,6,6,6,,,,,,,,,,,,,
13,2,,26013-100252,, "BOLT M10X 25",3,3,3,3,3,3,,,,,,,,,,,,,
14,1,,26013-100302,, "BOLT M10X 30",4,4,4,4,4,4,,,,,,,,,,,,,

Fig. 39 スイベルジョイント
SWIVEL JOINT

1
▲ inc.2~13

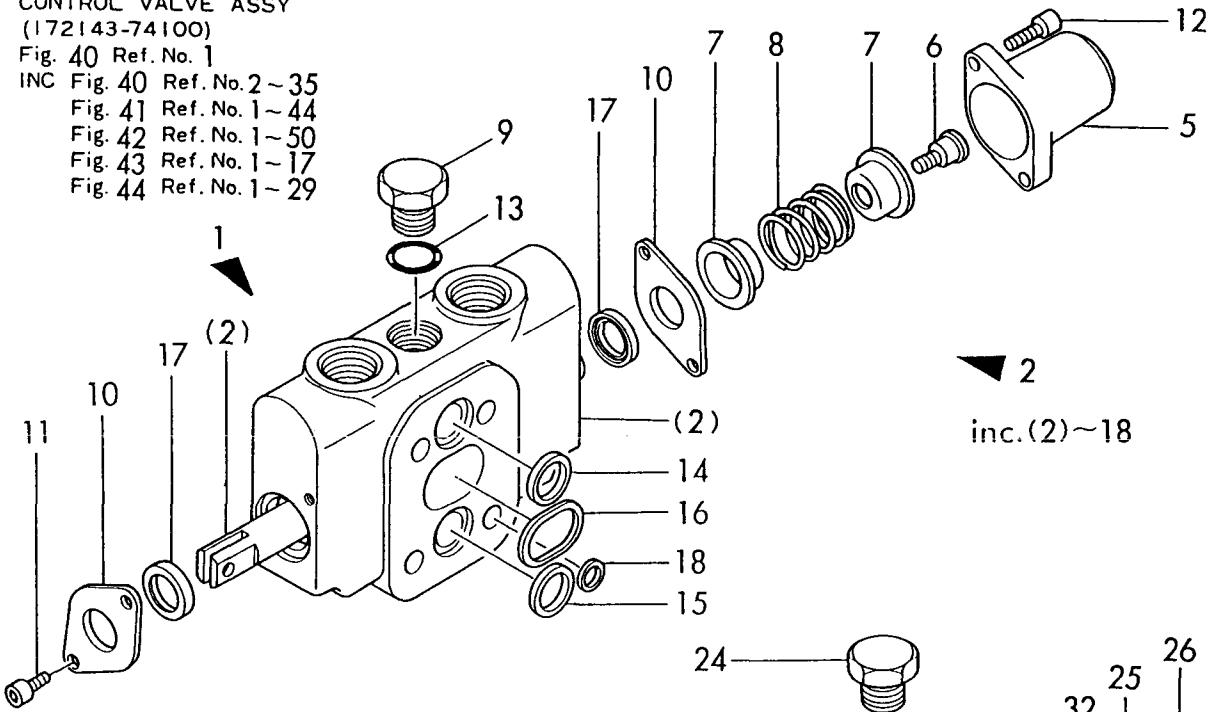


1,1,,172143-74100,,VALVE,1,1,1,1,1,1,,1,,,,,,,,,,,,,
2,2,,172141-74150,,,"BODY ASSY",2,2,2,2,2,2,,,,,,,,,,,,,
5,3,,172141-74350,,COVER,2,2,2,2,2,2,,,,,,,,,,,,,
6,3,,172141-74360,,,"SEAT, SPRING",2,2,2,2,2,2,,,,,,,,,,,,,
7,3,,172141-74370,,,"SEAT, SPRING",4,4,4,4,4,4,,,,,,,,,,,,,
8,3,,172141-74380,,SPRING,2,2,2,2,2,2,,,,,,,,,,,,,
9,3,,172141-74390,,PLUG,2,2,2,2,2,2,,,,,,,,,,,,,
10,3,,172141-74400,,PLATE,4,4,4,4,4,4,,,,,,,,,,,,,
11,3,,172141-74410,,BOLT,4,4,4,4,4,4,,,,,,,,,,,,,
12,3,,172141-74420,,BOLT,4,4,4,4,4,4,,,,,,,,,,,,,
13,3,,172141-74430,,O-RING,2,2,2,2,2,2,,,,,,,,,,,,,
14,3,,172141-74440,,RING,2,2,2,2,2,2,,,,,,,,,,,,,
15,3,,172141-74450,,RING,2,2,2,2,2,2,,,,,,,,,,,,,
16,3,,172141-74460,,RING,2,2,2,2,2,2,,,,,,,,,,,,,
17,3,,172141-74470,,GASKET,4,4,4,4,4,4,,,,,,,,,,,,,
18,3,,172141-74480,,SHIM,8,8,8,8,8,8,,,,,,,,,,,,,
19,2,,172143-74350,,,"BODY ASSY, VALVE",1,1,1,1,1,1,,,,,,,,,,,,,
20,3,,172141-74350,,COVER,1,1,1,1,1,1,,,,,,,,,,,,,
21,3,,172141-74360,,,"SEAT, SPRING",1,1,1,1,1,1,,,,,,,,,,,,,
22,3,,172141-74370,,,"SEAT, SPRING",2,2,2,2,2,2,,,,,,,,,,,,,
23,3,,172141-74380,,SPRING,1,1,1,1,1,1,,,,,,,,,,,,,
24,3,,172141-74390,,PLUG,1,1,1,1,1,1,,,,,,,,,,,,,
25,3,,172141-74400,,PLATE,2,2,2,2,2,2,,,,,,,,,,,,,
26,3,,172141-74410,,BOLT,2,2,2,2,2,2,,,,,,,,,,,,,
27,3,,172141-74420,,BOLT,2,2,2,2,2,2,,,,,,,,,,,,,
28,3,,172141-74430,,O-RING,1,1,1,1,1,1,,,,,,,,,,,,,
29,3,,172141-74440,,RING,1,1,1,1,1,1,,,,,,,,,,,,,
30,3,,172141-74450,,RING,1,1,1,1,1,1,,,,,,,,,,,,,
31,3,,172141-74460,,RING,1,1,1,1,1,1,,,,,,,,,,,,,
32,3,,172141-74470,,GASKET,2,2,2,2,2,2,,,,,,,,,,,,,
33,3,,172141-74480,,SHIM,4,4,4,4,4,4,,,,,,,,,,,,,
34,3,,172141-74520,,SPRING,1,1,1,1,1,1,,,,,,,,,,,,,
35,3,,172141-74530,,PLANGER,1,1,1,1,1,1,,,,,,,,,,,,,

Fig. 40 コントロールバルブ(ソウコウ & センカイ) CONTROL VALVE (TRAVEL & TURNING)

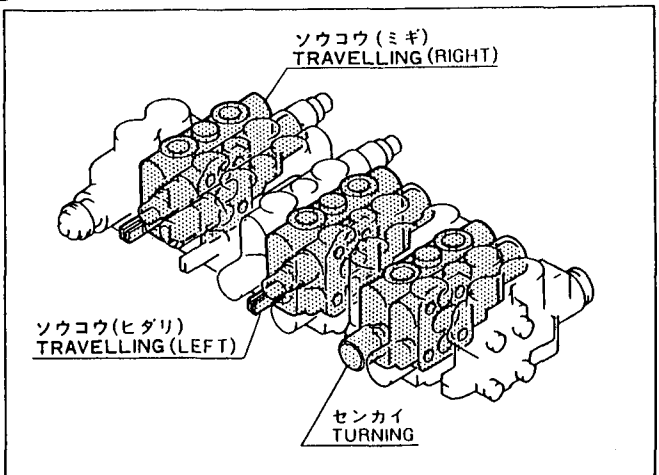
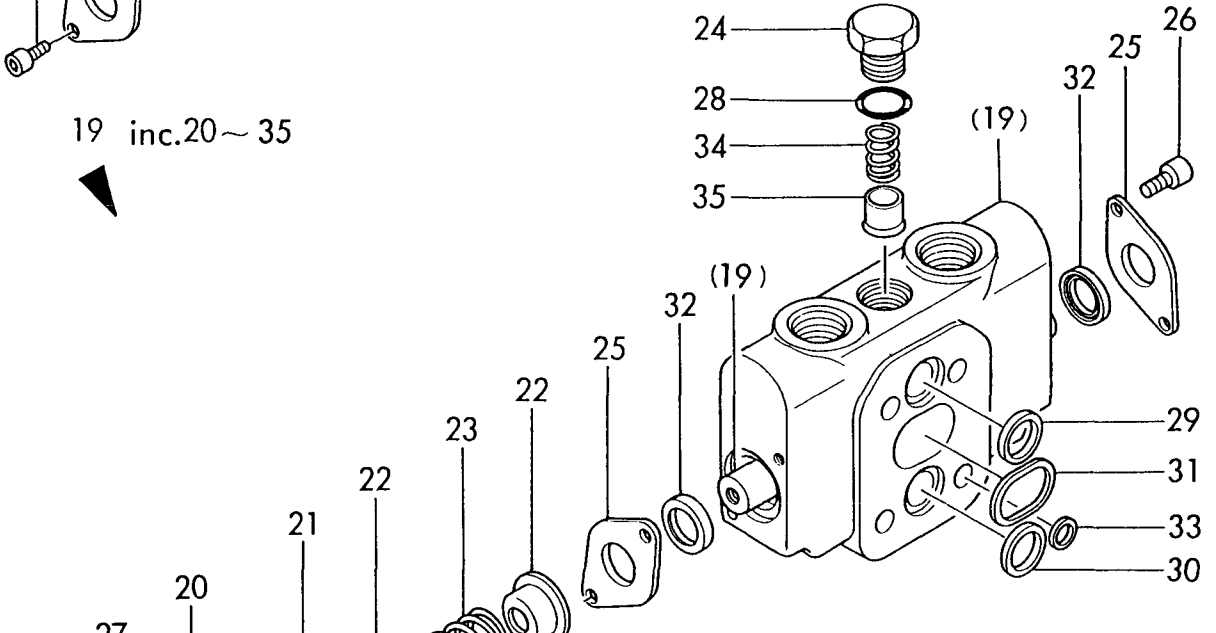
コントロールバルブ ASSY
CONTROL VALVE ASSY
(172143-74100)

- Fig. 40 Ref. No. 1
INC Fig. 40 Ref. No. 2~35
Fig. 41 Ref. No. 1~44
Fig. 42 Ref. No. 1~50
Fig. 43 Ref. No. 1~17
Fig. 44 Ref. No. 1~29



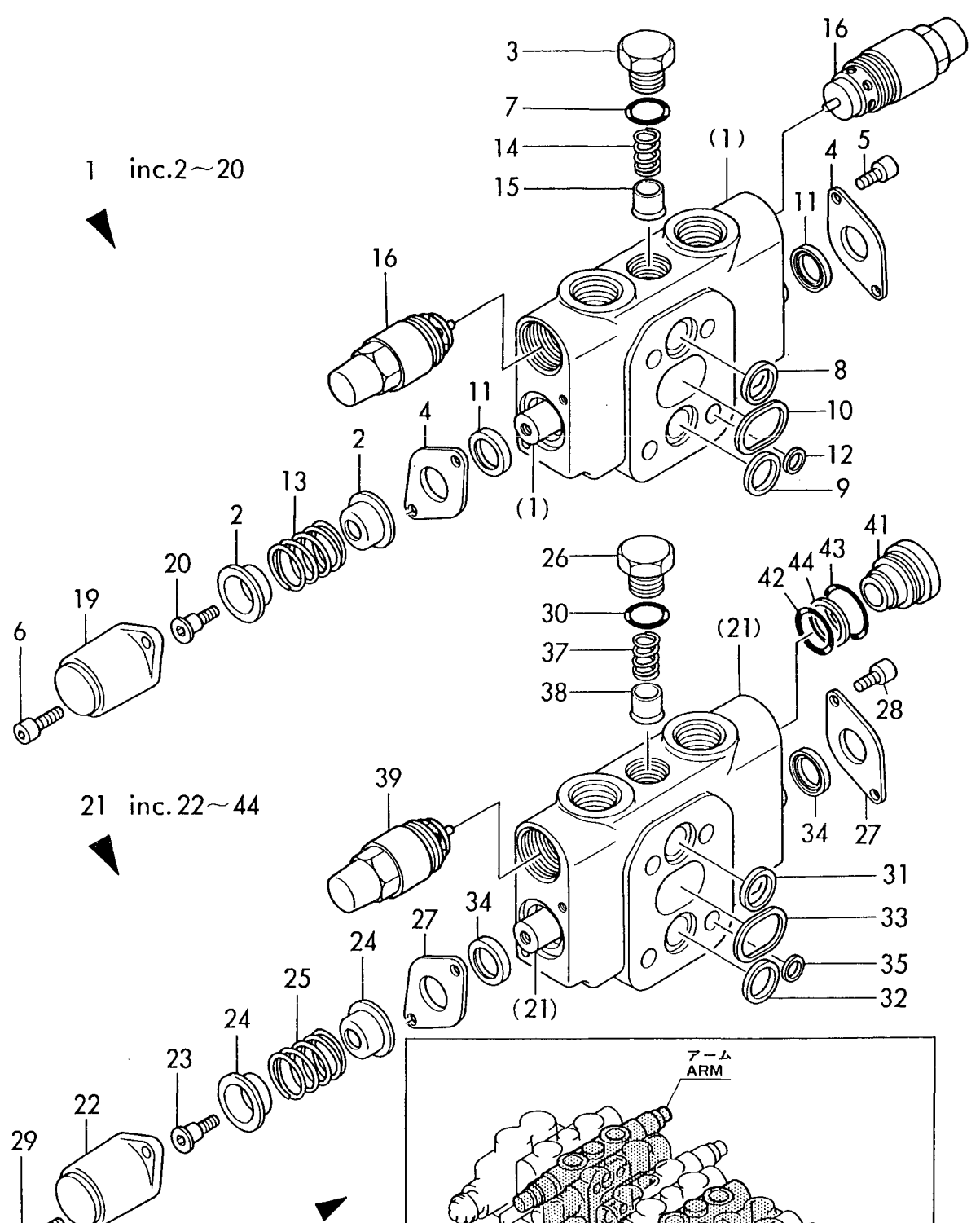
2
inc.(2)~18

19 inc.20~35

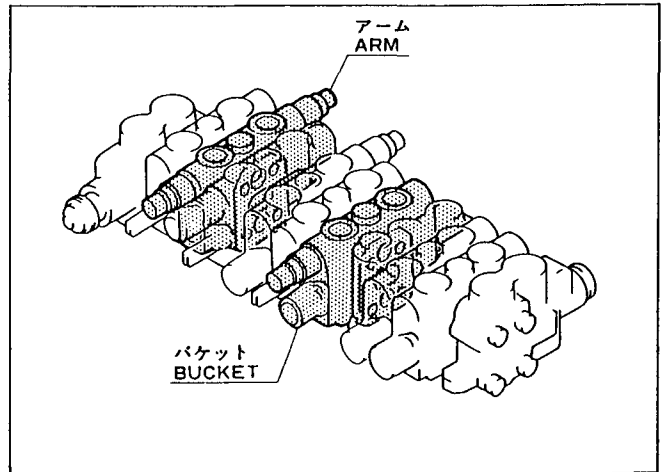


1,2,,172143-74150,, "BODY ASSY, VALVE",1,1,1,1,1,1,,,,,,,,,,,,,
2,3,,172141-74370,, "SEAT, SPRING",2,2,2,2,2,2,,,,,,,,,,,,,
3,3,,172141-74570,, PLUG,1,1,1,1,1,1,,,,,,,,,,,,,
4,3,,172141-74400,, PLATE,2,2,2,2,2,2,,,,,,,,,,,,,
5,3,,172141-74410,, BOLT,2,2,2,2,2,2,,,,,,,,,,,,,
6,3,,172141-74420,, BOLT,2,2,2,2,2,2,,,,,,,,,,,,,
7,3,,172141-74430,, O-RING,1,1,1,1,1,1,,,,,,,,,,,,,
8,3,,172141-74440,, RING,1,1,1,1,1,1,,,,,,,,,,,,,
9,3,,172141-74450,, RING,1,1,1,1,1,1,,,,,,,,,,,,,
10,3,,172141-74460,, RING,1,1,1,1,1,1,,,,,,,,,,,,,
11,3,,172141-74470,, GASKET,2,2,2,2,2,2,,,,,,,,,,,,,
12,3,,172141-74480,, SHIM,4,4,4,4,4,4,,,,,,,,,,,,,
13,3,,172141-74380,, SPRING,1,1,1,1,1,1,,,,,,,,,,,,,
14,3,,172141-74520,, SPRING,1,1,1,1,1,1,,,,,,,,,,,,,
15,3,,172141-74530,, PLANGER,1,1,1,1,1,1,,,,,,,,,,,,,
16,3,,172141-74540,, "VALVE 190/22, RELIEF",2,2,2,2,2,2,,,,,,,,,,,,,
19,3,,172141-74350,, COVER,1,1,1,1,1,1,,,,,,,,,,,,,
20,3,,172141-74360,, "SEAT, SPRING",1,1,1,1,1,1,,,,,,,,,,,,,
21,2,,172143-74300,, "BODY ASSY, VALVE",1,1,1,1,1,1,,,,,,,,,,,,,
22,3,,172141-74350,, COVER,1,1,1,1,1,1,,,,,,,,,,,,,
23,3,,172141-74360,, "SEAT, SPRING",1,1,1,1,1,1,,,,,,,,,,,,,
24,3,,172141-74370,, "SEAT, SPRING",2,2,2,2,2,2,,,,,,,,,,,,,
25,3,,172141-74380,, SPRING,1,1,1,1,1,1,,,,,,,,,,,,,
26,3,,172141-74390,, PLUG,1,1,1,1,1,1,,,,,,,,,,,,,
27,3,,172141-74400,, PLATE,2,2,2,2,2,2,,,,,,,,,,,,,
28,3,,172141-74410,, BOLT,2,2,2,2,2,2,,,,,,,,,,,,,
29,3,,172141-74420,, BOLT,2,2,2,2,2,2,,,,,,,,,,,,,
30,3,,172141-74430,, O-RING,1,1,1,1,1,1,,,,,,,,,,,,,
31,3,,172141-74440,, RING,1,1,1,1,1,1,,,,,,,,,,,,,
32,3,,172141-74450,, RING,1,1,1,1,1,1,,,,,,,,,,,,,
33,3,,172141-74460,, RING,1,1,1,1,1,1,,,,,,,,,,,,,
34,3,,172141-74470,, GASKET,2,2,2,2,2,2,,,,,,,,,,,,,
35,3,,172141-74480,, SHIM,4,4,4,4,4,4,,,,,,,,,,,,,
37,3,,172141-74520,, SPRING,1,1,1,1,1,1,,,,,,,,,,,,,
38,3,,172141-74530,, PLANGER,1,1,1,1,1,1,,,,,,,,,,,,,
39,3,,172141-74540,, "VALVE 190/22, RELIEF",1,1,1,1,1,1,,,,,,,,,,,,,
41,3,,172141-74570,, PLUG,1,1,1,1,1,1,,,,,,,,,,,,,
42,3,,172141-74580,, O-RING,1,1,1,1,1,1,,,,,,,,,,,,,
43,3,,172141-74590,, O-RING,1,1,1,1,1,1,,,,,,,,,,,,,
44,3,,172141-74600,, "RING, BACK UP",1,1,1,1,1,1,,,,,,,,,,,,,

Fig. 41 コントロールバルブ(アーム&バケット)
CONTROL VALVE (ARM & BUCKET)

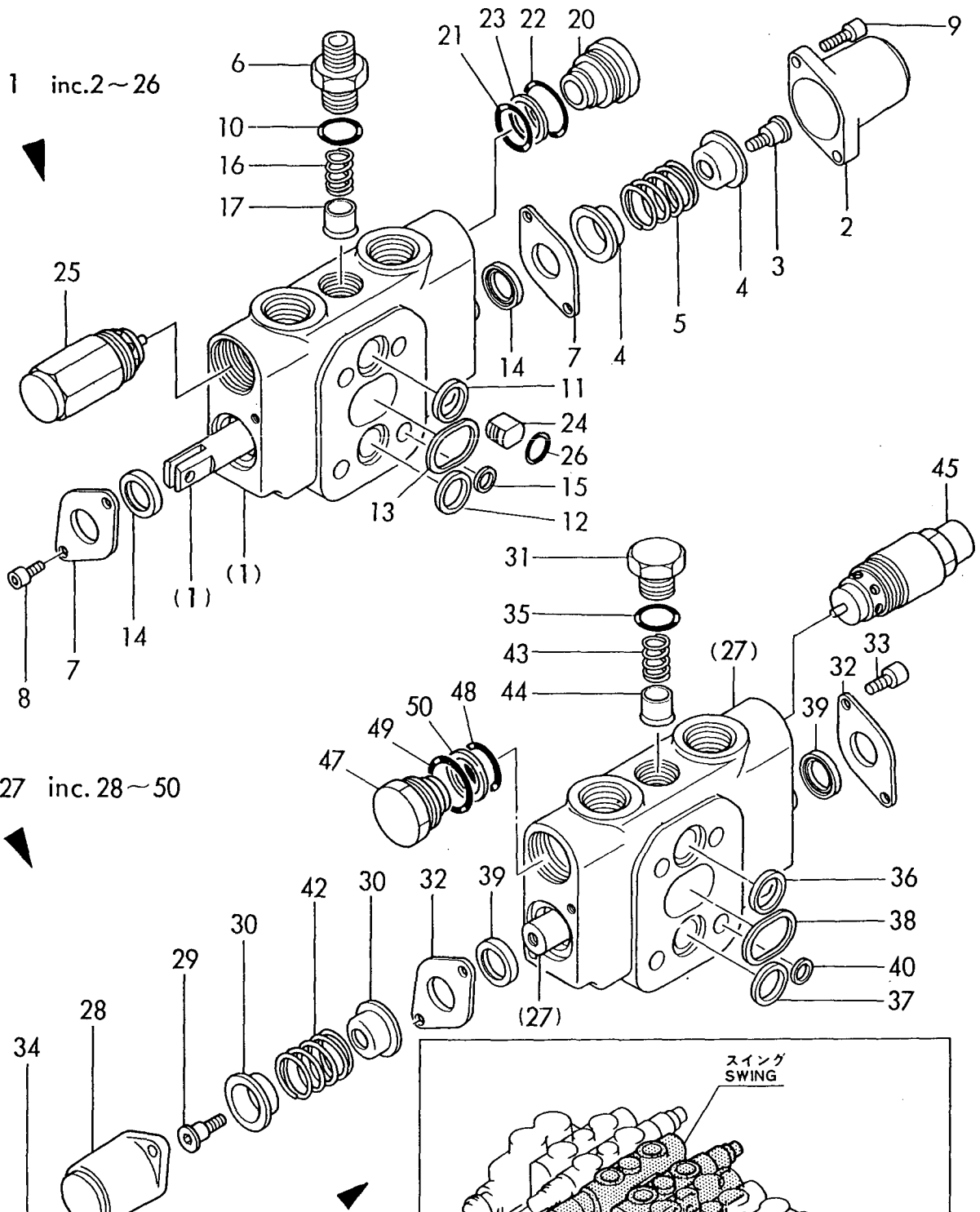


コントロールバルブ ASSY
CONTROL VALVE ASSY
(172143-74100)
Fig. 40 Ref. No. 1
INC Fig. 40 Ref. No. 2~35
Fig. 41 Ref. No. 1~44
Fig. 42 Ref. No. 1~50
Fig. 43 Ref. No. 1~17
Fig. 44 Ref. No. 1~29

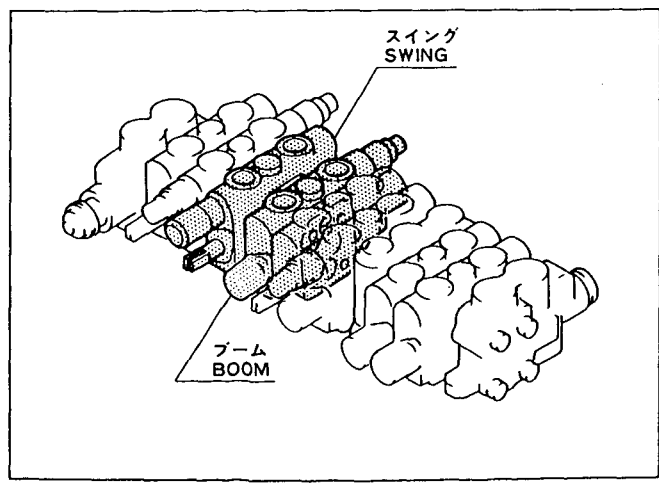


1,2,,172143-74180,, "BODY ASSY, VALVE",1,1,1,1,1,1,,,,,,,,,,,,,
2,3,,172141-74350,,COVER,1,1,1,1,1,1,,,,,,,,,,,,,
3,3,,172141-74360,, "SEAT, SPRING",1,1,1,1,1,1,,,,,,,,,,,,,
4,3,,172141-74370,, "SEAT, SPRING",2,2,2,2,2,2,,,,,,,,,,,,,
5,3,,172141-74380,,SPRING,1,1,1,1,1,1,,,,,,,,,,,,,
6,3,,172142-74310,,NIPPLE,1,1,1,1,1,1,,,,,,,,,,,,,
7,3,,172141-74400,,PLATE,2,2,2,2,2,2,,,,,,,,,,,,,
8,3,,172141-74410,,BOLT,2,2,2,2,2,2,,,,,,,,,,,,,
9,3,,172141-74420,,BOLT,2,2,2,2,2,2,,,,,,,,,,,,,
10,3,,172141-74430,,O-RING,1,1,1,1,1,1,,,,,,,,,,,,,
11,3,,172141-74440,,RING,1,1,1,1,1,1,,,,,,,,,,,,,
12,3,,172141-74450,,RING,1,1,1,1,1,1,,,,,,,,,,,,,
13,3,,172141-74460,,RING,1,1,1,1,1,1,,,,,,,,,,,,,
14,3,,172141-74470,,GASKET,2,2,2,2,2,2,,,,,,,,,,,,,
15,3,,172141-74480,,SHIM,4,4,4,4,4,4,,,,,,,,,,,,,
16,3,,172141-74520,,SPRING,1,1,1,1,1,1,,,,,,,,,,,,,
17,3,,172143-74200,,PLUNGER,1,1,1,1,1,1,,,,,,,,,,,,,
20,3,,172141-74570,,PLUG,1,1,1,1,1,1,,,,,,,,,,,,,
21,3,,172141-74580,,O-RING,1,1,1,1,1,1,,,,,,,,,,,,,
22,3,,172141-74590,,O-RING,1,1,1,1,1,1,,,,,,,,,,,,,
23,3,,172141-74600,, "RING, BACK UP",1,1,1,1,1,1,,,,,,,,,,,,,
24,3,,172143-74210,,RETAINER,1,1,1,1,1,1,,,,,,,,,,,,,
25,3,,172141-74620,, "VALVE, ANTI-CAVITATI.",1,1,1,1,1,1,,,,,,,,,,,,,
26,3,,172143-74220,,O-RING,1,1,1,1,1,1,,,,,,,,,,,,,
27,2,,172143-74250,, "BODY ASSY, VALVE",1,1,1,1,1,1,,,,,,,,,,,,,
28,3,,172141-74350,,COVER,1,1,1,1,1,1,,,,,,,,,,,,,
29,3,,172141-74360,, "SEAT, SPRING",1,1,1,1,1,1,,,,,,,,,,,,,
30,3,,172141-74370,, "SEAT, SPRING",2,2,2,2,2,2,,,,,,,,,,,,,
31,3,,172141-74390,,PLUG,1,1,1,1,1,1,,,,,,,,,,,,,
32,3,,172141-74400,,PLATE,2,2,2,2,2,2,,,,,,,,,,,,,
33,3,,172141-74410,,BOLT,2,2,2,2,2,2,,,,,,,,,,,,,
34,3,,172141-74420,,BOLT,2,2,2,2,2,2,,,,,,,,,,,,,
35,3,,172141-74430,,O-RING,1,1,1,1,1,1,,,,,,,,,,,,,
36,3,,172141-74440,,RING,1,1,1,1,1,1,,,,,,,,,,,,,
37,3,,172141-74450,,RING,1,1,1,1,1,1,,,,,,,,,,,,,
38,3,,172141-74460,,RING,1,1,1,1,1,1,,,,,,,,,,,,,
39,3,,172141-74470,,GASKET,2,2,2,2,2,2,,,,,,,,,,,,,
40,3,,172141-74480,,SHIM,4,4,4,4,4,4,,,,,,,,,,,,,
42,3,,172141-74380,,SPRING,1,1,1,1,1,1,,,,,,,,,,,,,
43,3,,172141-74520,,SPRING,1,1,1,1,1,1,,,,,,,,,,,,,
44,3,,172141-74530,,PLANGER,1,1,1,1,1,1,,,,,,,,,,,,,
45,3,,172141-74540,, "VALVE 190/22, RELIEF",1,1,1,1,1,1,,,,,,,,,,,,,
47,3,,172141-74570,,PLUG,1,1,1,1,1,1,,,,,,,,,,,,,
48,3,,172141-74580,,O-RING,1,1,1,1,1,1,,,,,,,,,,,,,
49,3,,172141-74590,,O-RING,1,1,1,1,1,1,,,,,,,,,,,,,
50,3,,172141-74600,, "RING, BACK UP",1,1,1,1,1,1,,,,,,,,,,,,,

Fig. 42 コントロールバルブ(スイング&ブーム)
CONTROL VALVE (SWING & BOOM)



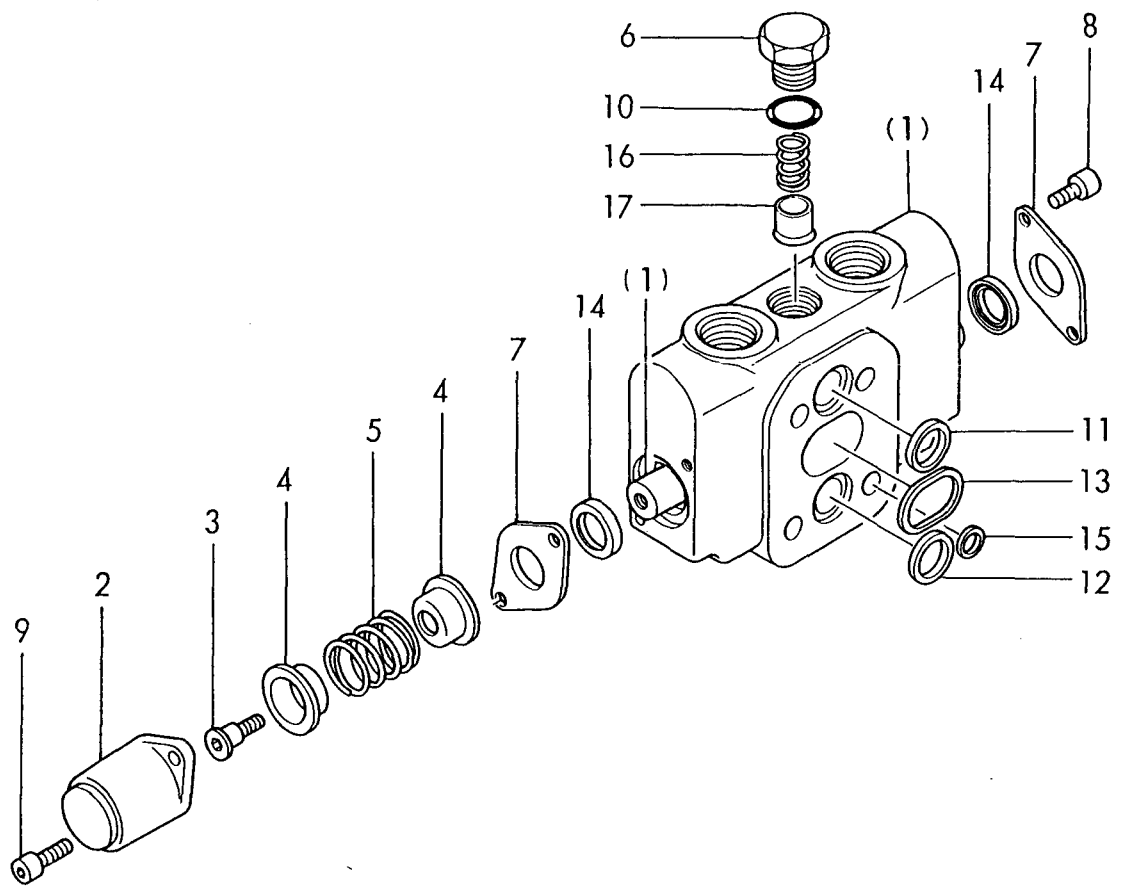
コントロールバルブ ASSY
CONTROL VALVE ASSY
(172143-74100)
Fig. 40 Ref. No. 1
INC Fig. 40 Ref. No. 2~35
Fig. 41 Ref. No. 1~44
Fig. 42 Ref. No. 1~50
Fig. 43 Ref. No. 1~17
Fig. 44 Ref. No. 1~29



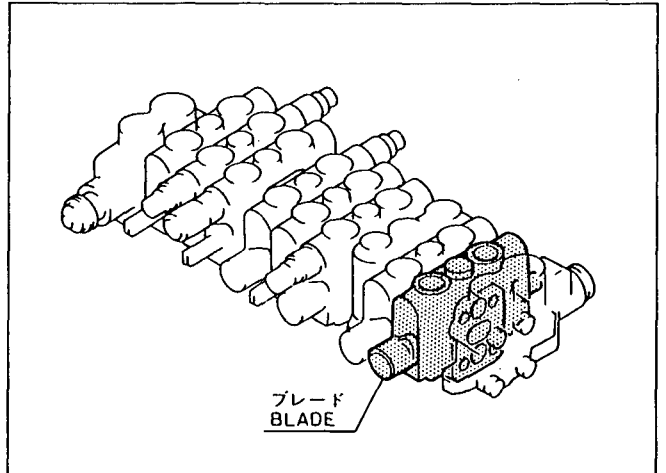
1,2,,172141-74220,, "BODY ASSY",1,1,1,1,1,1,,,,,,,,,,,,,
2,3,,172141-74350,,COVER,1,1,1,1,1,1,,,,,,,,,,,,,
3,3,,172141-74360,, "SEAT, SPRING",1,1,1,1,1,1,,,,,,,,,,,,,
4,3,,172141-74370,, "SEAT, SPRING",2,2,2,2,2,2,,,,,,,,,,,,,
5,3,,172141-74380,,SPRING,1,1,1,1,1,1,,,,,,,,,,,,,
6,3,,172141-74390,,PLUG,1,1,1,1,1,1,,,,,,,,,,,,,
7,3,,172141-74400,,PLATE,2,2,2,2,2,2,,,,,,,,,,,,,
8,3,,172141-74410,,BOLT,2,2,2,2,2,2,,,,,,,,,,,,,
9,3,,172141-74420,,BOLT,2,2,2,2,2,2,,,,,,,,,,,,,
10,3,,172141-74430,,O-RING,1,1,1,1,1,1,,,,,,,,,,,,,
11,3,,172141-74440,,RING,1,1,1,1,1,1,,,,,,,,,,,,,
12,3,,172141-74450,,RING,1,1,1,1,1,1,,,,,,,,,,,,,
13,3,,172141-74460,,RING,1,1,1,1,1,1,,,,,,,,,,,,,
14,3,,172141-74470,,GASKET,2,2,2,2,2,2,,,,,,,,,,,,,
15,3,,172141-74480,,SHIM,4,4,4,4,4,4,,,,,,,,,,,,,
16,3,,172141-74520,,SPRING,1,1,1,1,1,1,,,,,,,,,,,,,
17,3,,172141-74530,,PLANGER,1,1,1,1,1,1,,,,,,,,,,,,,

Fig. 43 コントロールバルブ(ブレード) CONTROL VALVE (BLADE)

1 inc.2~17

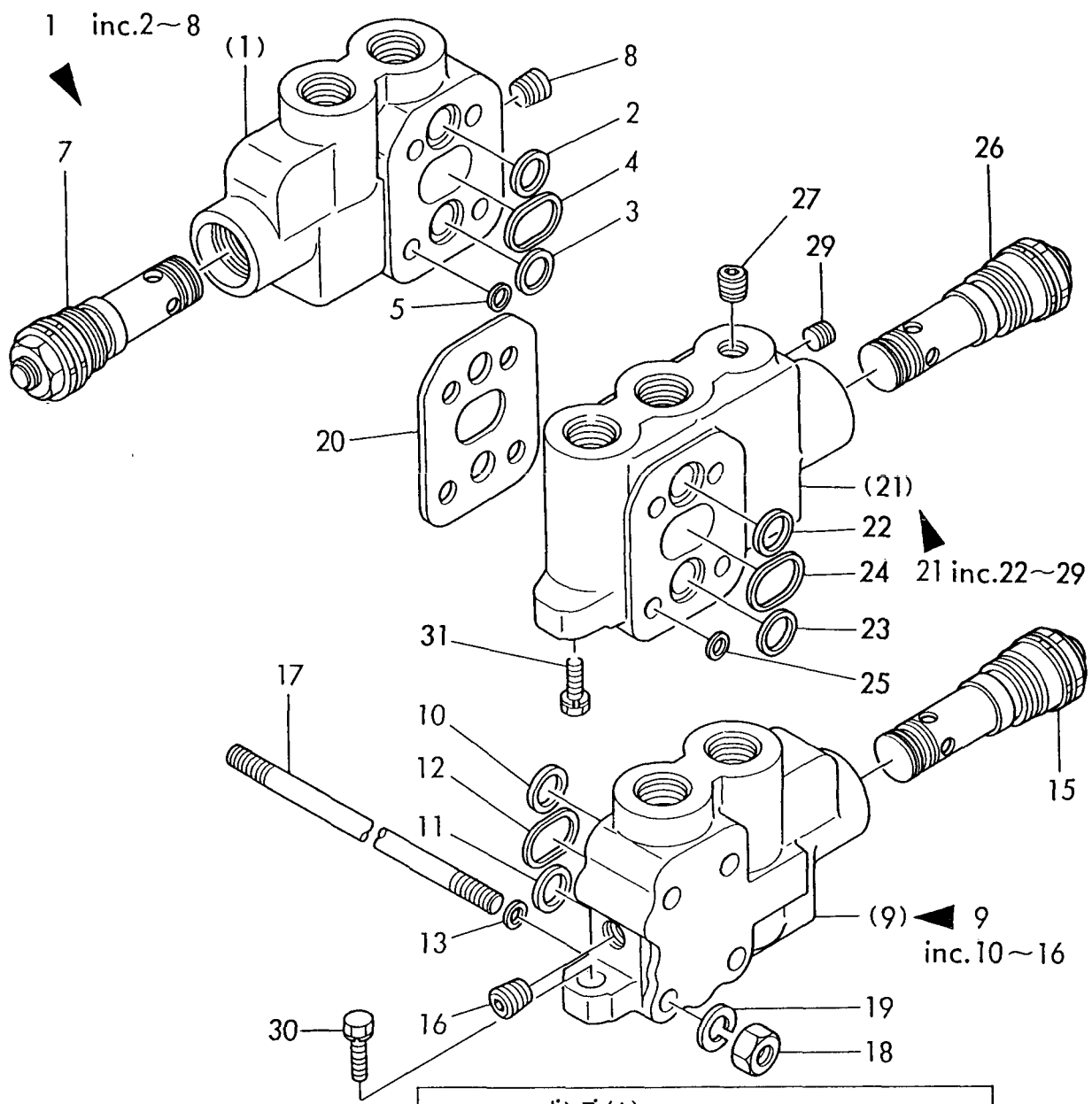


コントロールバルブ ASSY
CONTROL VALVE ASSY
(172143-74100)
Fig. 40 Ref. No. 1
INC Fig. 40 Ref. No. 2~35
Fig. 41 Ref. No. 1~44
Fig. 42 Ref. No. 1~50
Fig. 43 Ref. No. 1~17
Fig. 44 Ref. No. 1~29

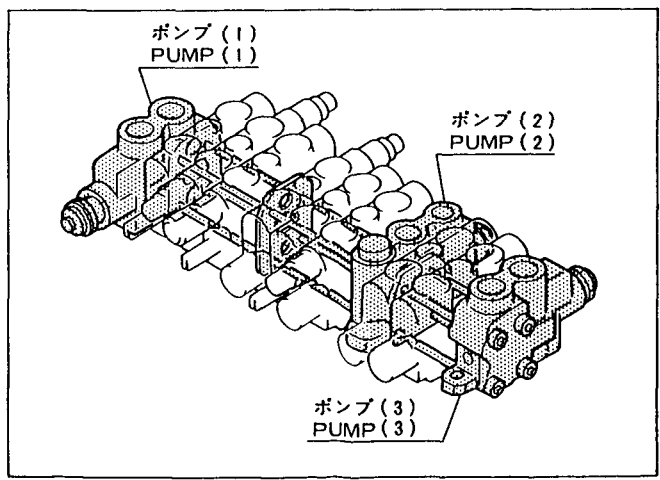


1,2,,172141-74230,, "COVER ASSY(PT)",1,1,1,1,1,1,,,,,,,,,,,,,
2,3,,172141-74440,, RING,1,1,1,1,1,1,,,,,,,,,,,,,
3,3,,172141-74450,, RING,1,1,1,1,1,1,,,,,,,,,,,,,
4,3,,172141-74460,, RING,1,1,1,1,1,1,,,,,,,,,,,,,
5,3,,172141-74480,, SHIM,4,4,4,4,4,4,,,,,,,,,,,,,
7,3,,172141-74690,, "VALVE 175/22, RELIEF",1,1,1,1,1,1,,,,,,,,,,,,,
8,3,,172141-74750,, PLUG,1,1,1,1,1,1,,,,,,,,,,,,,
9,2,,172141-74240,, "COVER ASSY(PT)",1,1,1,1,1,1,,,,,,,,,,,,,
10,3,,172141-74440,, RING,1,1,1,1,1,1,,,,,,,,,,,,,
11,3,,172141-74450,, RING,1,1,1,1,1,1,,,,,,,,,,,,,
12,3,,172141-74460,, RING,1,1,1,1,1,1,,,,,,,,,,,,,
13,3,,172141-74480,, SHIM,4,4,4,4,4,4,,,,,,,,,,,,,
15,3,,172141-74740,, "VALVE 160/22, RELIEF",1,1,1,1,1,1,,,,,,,,,,,,,
16,3,,172141-74750,, PLUG,1,1,1,1,1,1,,,,,,,,,,,,,
17,2,,172141-74260,, STUD,4,4,4,4,4,4,,,,,,,,,,,,,
18,2,,172141-74270,, "NUT, LOCK",8,8,8,8,8,8,,,,,,,,,,,,,
19,2,,172141-74280,, "SPRING WASHER",8,8,8,8,8,8,,,,,,,,,,,,,
20,2,,172141-74290,, PLATE,1,1,1,1,1,1,,,,,,,,,,,,,
21,2,,172143-74400,, "COVER ASSY(PL)",1,1,,1,1,,,,,,,,,,,,,
22,3,,172141-74440,, RING,1,1,1,1,1,1,,,,,,,,,,,,,
23,3,,172141-74450,, RING,1,1,1,1,1,1,,,,,,,,,,,,,
24,3,,172141-74460,, RING,1,1,1,1,1,1,,,,,,,,,,,,,
25,3,,172141-74480,, SHIM,4,4,4,4,4,4,,,,,,,,,,,,,
26,3,,172141-74690,, "VALVE 175/22, RELIEF",1,1,1,1,1,1,,,,,,,,,,,,,
27,3,,172141-74750,, PLUG,1,1,1,1,1,1,,,,,,,,,,,,,
29,3,,172141-74720,, PLUG,1,1,1,1,1,1,,,,,,,,,,,,,
30,1,,26013-100202,, "BOLT W/WASHER M10X20",2,2,2,2,2,2,,,,,,,,,,,,,
31,1,,26013-100302,, "BOLT M10X 30",1,1,1,1,1,1,,,,,,,,,,,,,

Fig. 44 コントロールバルブ(P1、P2、P3)
CONTROL VALVE (P1、P2、P3)

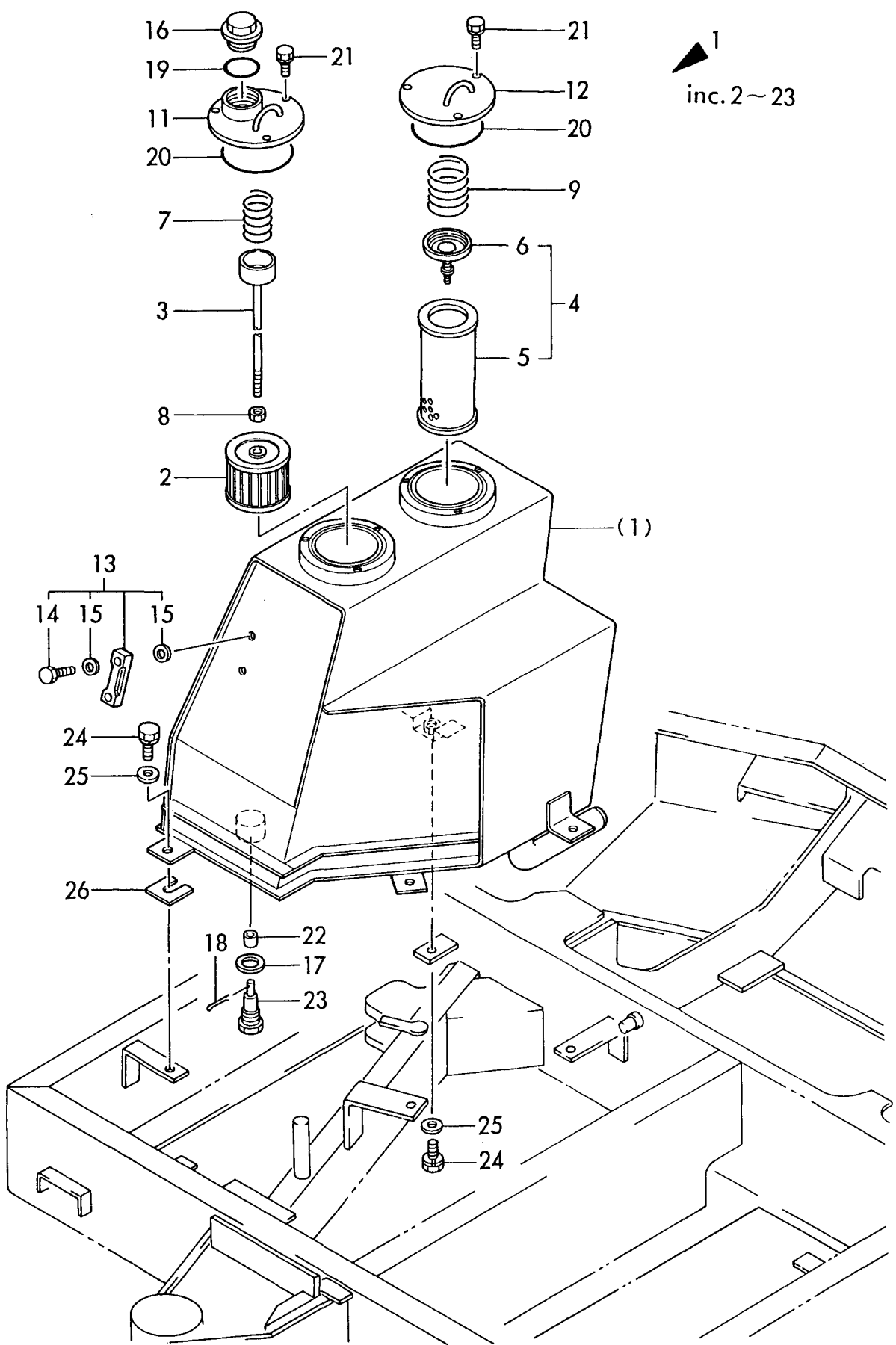


コントロールバルブ ASSY
CONTROL VALVE ASSY
(172143-74100)
Fig.40 Ref.No.1
INC Fig.40 Ref.No.2~35
Fig.41 Ref.No.1~44
Fig.42 Ref.No.1~50
Fig.43 Ref.No.1~17
Fig.44 Ref.No.1~29



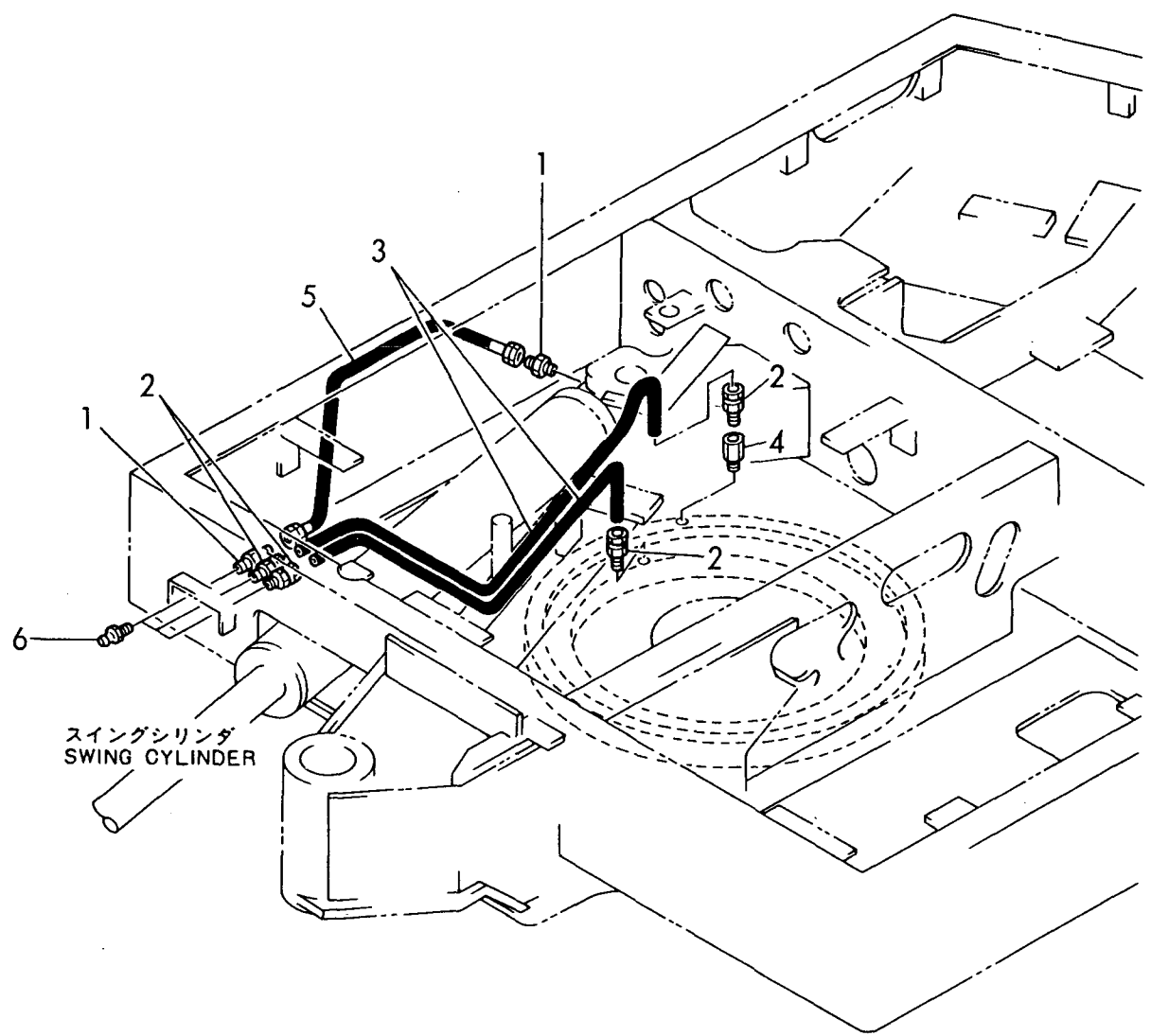
1,1,,772141-75100,, "RESERVER ASSY",1,1,1,1,1,1,,,,,,,,,,,,,
2,2,,172137-73700,, "FILTER, SUCTION",1,1,1,1,1,1,,,,,,,,,,,,,
3,2,,172141-73710,, "ROD, STRAINER",1,1,1,1,1,1,,,,,,,,,,,,,
4,2,,172141-73750,, "FILTER ASSY, RETURN",1,1,1,1,1,1,,,,,,,,,,,,,
5,3,,172141-73760,, ELEMENT,1,1,1,1,1,1,,,,,,,,,,,,,
6,3,,172141-73770,, "VALVE ASSY, BYPASS",1,1,1,1,1,1,,,,,,,,,,,,,
7,2,,172112-75780,, "SPRING, STRAINER",1,1,1,1,1,1,,,,,,,,,,,,,
8,2,,26716-100002,, "NUT M10",1,1,1,1,1,1,,,,,,,,,,,,,
9,2,,933152-02710,, "SPRING, SIDE CLUTCH",1,1,1,1,1,1,,,,,,,,,,,,,
11,2,,172141-75400,, "COVER, EXIT",1,1,1,1,1,1,,,,,,,,,,,,,
12,2,,172141-75430,, "COVER, INTAKE",1,1,1,1,1,1,,,,,,,,,,,,,
13,2,,172122-75600,, "GAUGE, OIL LEVEL",1,1,1,1,1,1,,,,,,,,,,,,,
14,2,,172122-75620,, BOLT,2,2,2,2,2,2,,,,,,,,,,,,,
15,2,,172122-75630,, GASKET,4,4,4,4,4,4,,,,,,,,,,,,,
16,2,,172116-75850,, "PLUG, OIL FEED",1,1,1,1,1,1,,,,,,,,,,,,,
17,2,,22134-240000,, "WASHER 24",1,1,1,1,1,1,,,,,,,,,,,,,
18,2,,22417-200160,, "COTTER PIN 2.0X16",1,1,1,1,1,1,,,,,,,,,,,,,
19,2,,24311-000380,, "O-RING 1A P-38.0",1,1,1,1,1,1,,,,,,,,,,,,,
20,2,,24321-001050,, "O-RING 1A G-105.0",2,2,2,2,2,2,,,,,,,,,,,,,
21,2,,26013-080202,, "BOLT W/WASHER M8X20",6,6,6,6,6,6,,,,,,,,,,,,,
22,2,,933171-23042,, MAGNET,1,1,1,1,1,1,,,,,,,,,,,,,
23,2,,933171-23062,, "PLUG 24, DRAIN",1,1,1,1,1,1,,,,,,,,,,,,,
24,1,,26013-120302,, "BOLT W/WASHER M12X30",4,4,4,4,4,4,,,,,,,,,,,,,
25,1,,933152-03700,, "WASHER, SIDE CLUTCH",4,4,4,4,4,4,,,,,,,,,,,,,
26,1,,933169-22940,, "SPACER, RESERVOIR",1,1,1,1,1,1,,,,,,,,,,,,,

Fig. 45 サドウユタンク
HYD. OIL TANK



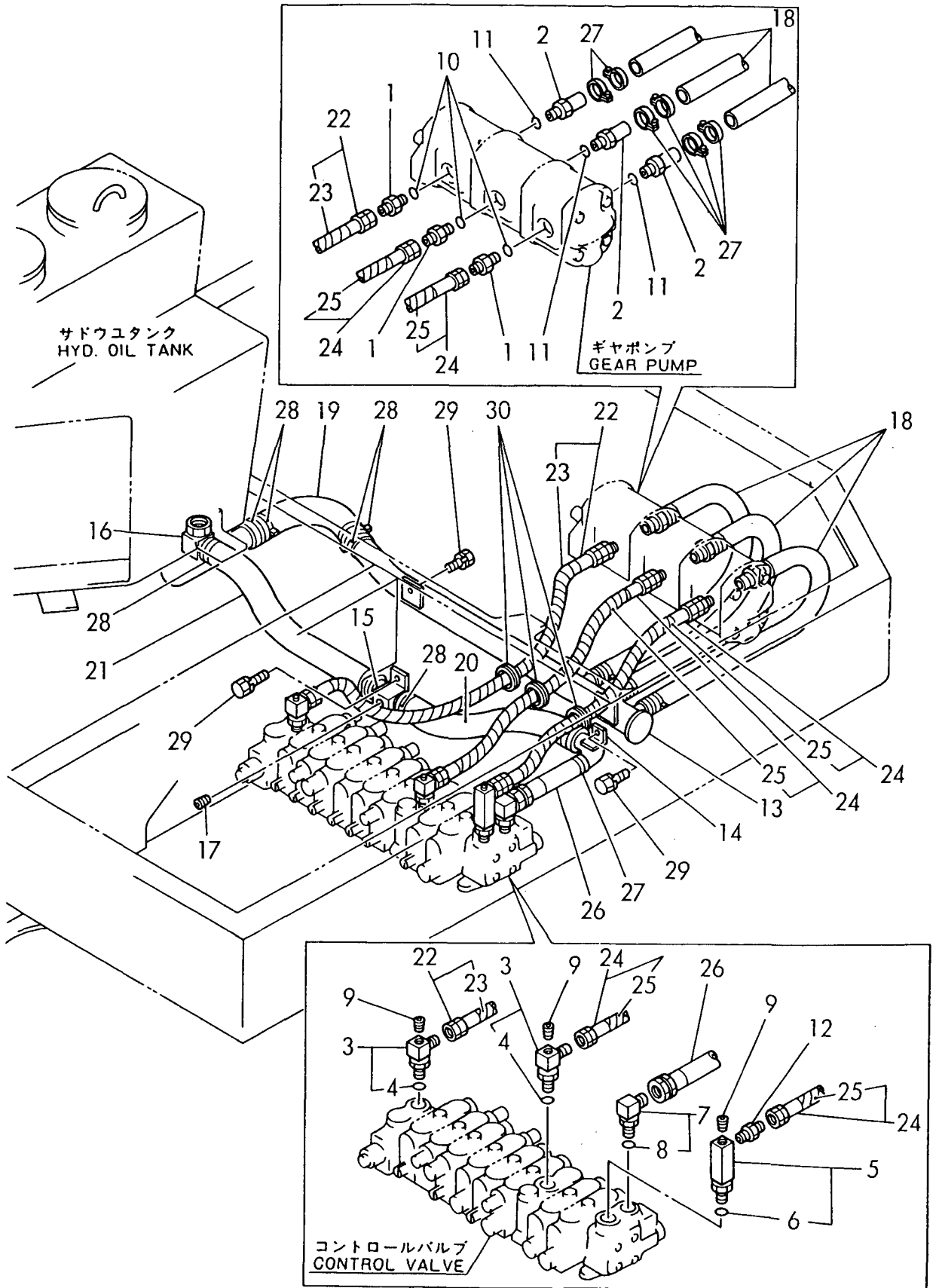
1,1,,172112-77580,, "JOINT 1/8",2,2,2,2,2,2,,,,,,,,,,,,,
2,1,,172141-77800,, "JOINT, GREASE",4,4,4,4,4,4,,,,,,,,,,,,,
3,1,,172141-77811,, "HOSE, GREASE",2,2,2,2,2,2,,,,,,,,,,,,,
4,1,,172312-77820,, "FITTING, GREASE",1,1,1,1,1,1,,,,,,,,,,,,,
5,1,,172135-78110,, HOSE,1,1,1,1,1,1,,,,,,,,,,,,,
6,1,,24761-020000,, "NIPPLE PT1/8,GREASE",3,3,3,3,3,3,,,,,,,,,,,,,

Fig. 46 エンカクキュウシ
GREASING



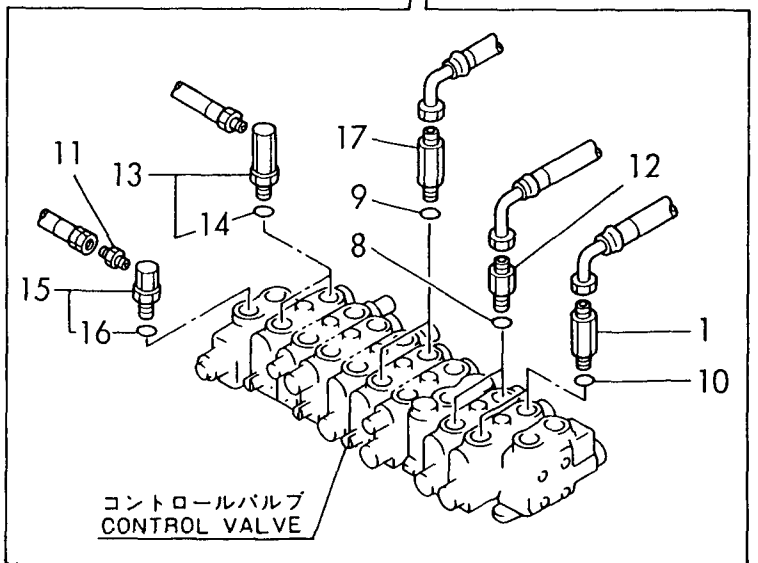
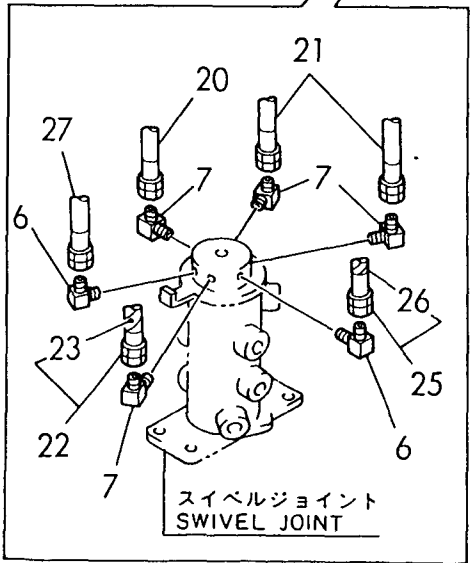
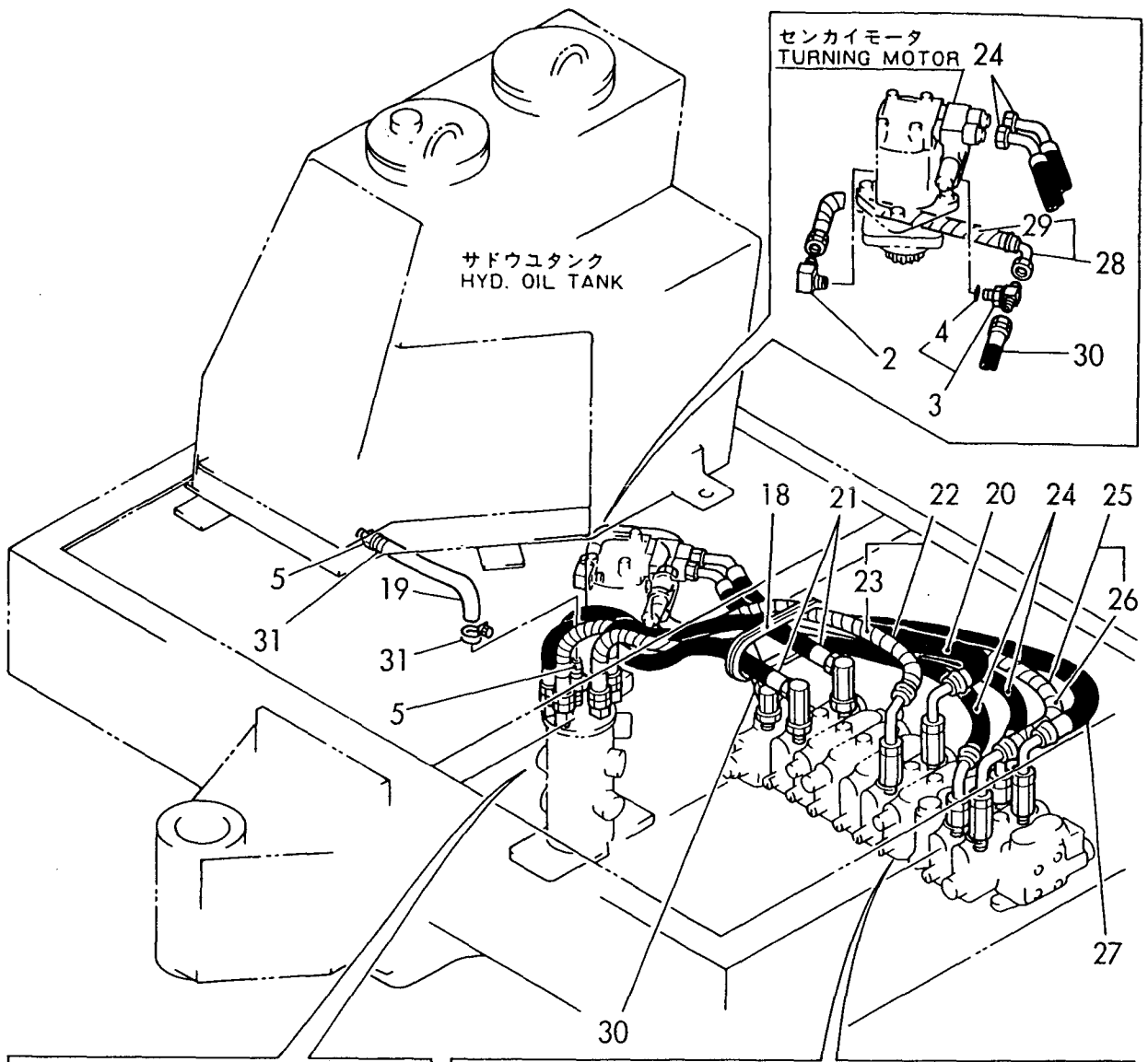
1,1,,172730-75140,,ADAPTOR,3,3,3,3,3,3,,,,,,,,,,,,,
2,1,,172142-76100,,CONNECTOR,3,3,3,3,3,3,,,,,,,,,,,,,
3,1,,172141-76110,,CONNECTOR,2,2,2,2,2,2,,,,,,,,,,,,,
4,2,,933152-07400,, "O-RING (A)",2,2,2,2,2,2,,,,,,,,,,,,,
5,1,,172141-76130,,CONNECTOR,1,1,1,1,1,1,,,,,,,,,,,,,
6,2,,933152-07400,, "O-RING (A)",1,1,1,1,1,1,,,,,,,,,,,,,
7,1,,172141-76260,, "CONNECTOR 12-14",1,1,1,1,1,1,,,,,,,,,,,,,
8,2,,933160-03570,, "O-RING (B)",1,1,1,1,1,1,,,,,,,,,,,,,
9,1,,23871-020000,, "PLUG PT1/4,SCREW",3,3,3,3,3,3,,,,,,,,,,,,,
10,1,,24315-000140,, "O-RING 1B P-14.0",3,3,3,3,3,3,,,,,,,,,,,,,
11,1,,24315-000240,, "O-RING 1B P-24.0",3,3,3,3,3,3,,,,,,,,,,,,,
12,1,,933152-24410,, "CONNECTOR (A)",1,1,1,1,1,1,,,,,,,,,,,,,
13,1,,172141-76400,, "PIPE, INTAKE",1,1,1,1,1,1,,,,,,,,,,,,,
14,1,,172141-76440,, "JOINT, RETURN(A)",1,1,1,1,1,1,,,,,,,,,,,,,
15,1,,172141-76470,, "JOINT, RETURN(B)",1,1,1,1,1,1,,,,,,,,,,,,,
16,1,,172141-76490,, "JOINT, RETURN(C)",1,1,1,1,1,1,,,,,,,,,,,,,
17,1,,23871-060000,, "PLUG PT3/4,SCREW",1,1,1,1,1,1,,,,,,,,,,,,,
18,1,,172141-78090,, "HOSE(B), INTAKE",3,3,3,3,3,3,,,,,,,,,,,,,
19,1,,172141-78100,, "HOSE(A), INTAKE",1,1,1,1,1,1,,,,,,,,,,,,,
20,1,,172141-78120,,HOSE,1,1,1,1,1,1,,,,,,,,,,,,,
21,1,,172141-78131,, "HOSE(A), RETURN",1,1,1,1,1,1,,,,,,,,,,,,,
22,1,,172141-78200,,HOSE,1,1,1,1,1,1,,,,,,,,,,,,,
23,2,,172141-78220,, "TUBE, SPIRAL",1,1,1,1,1,1,,,,,,,,,,,,,
24,1,,172141-78230,,HOSE,2,2,2,2,2,2,,,,,,,,,,,,,
25,2,,172141-78250,, "TUBE, SPIRAL",2,2,2,2,2,2,,,,,,,,,,,,,
26,1,,172141-78510,,HOSE,1,1,1,1,1,1,,,,,,,,,,,,,
27,1,,23000-035000,, "CLAMP 35",13,13,13,13,13,13,,,,,,,,,,,,,
28,1,,23000-048000,, "CLAMP 48",8,8,8,8,8,8,,,,,,,,,,,,,
29,1,,26013-100202,, "BOLT W/WASHER M10X20",4,4,4,4,4,4,,,,,,,,,,,,,
30,1,,933171-15680,, "GROMMET 40X13",3,3,3,3,3,3,,,,,,,,,,,,,

Fig. 47 ユアツハイカン(タンクーバルブ)
 HYD. OIL PIPING (TANK-VALVE)



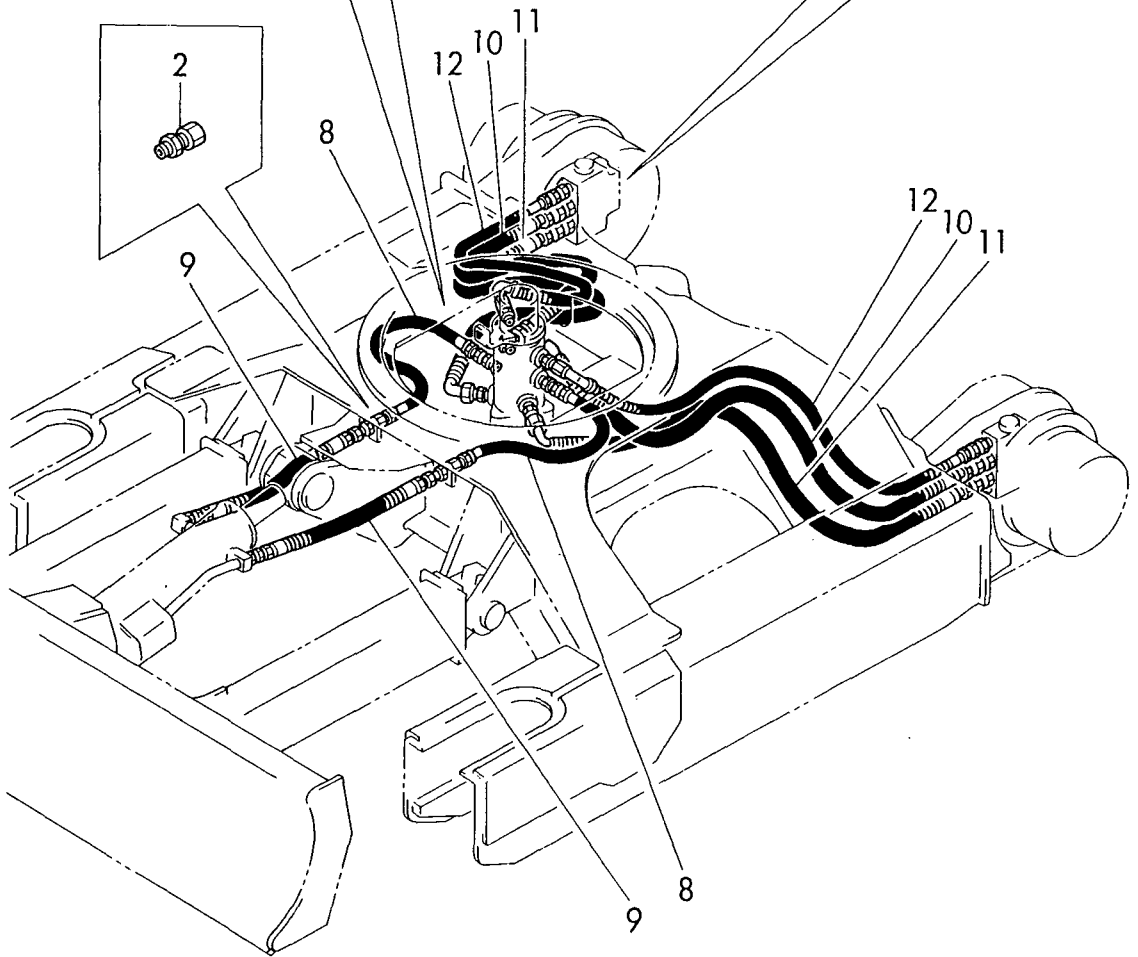
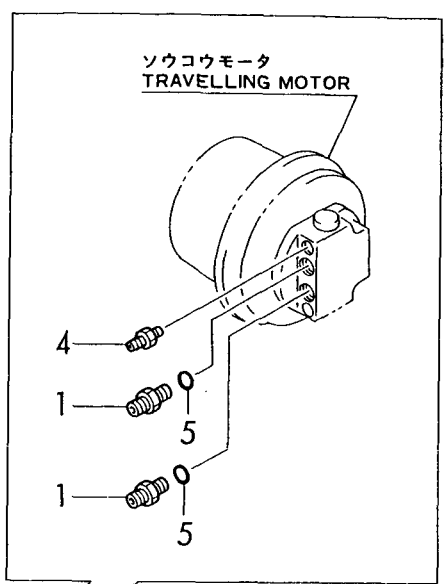
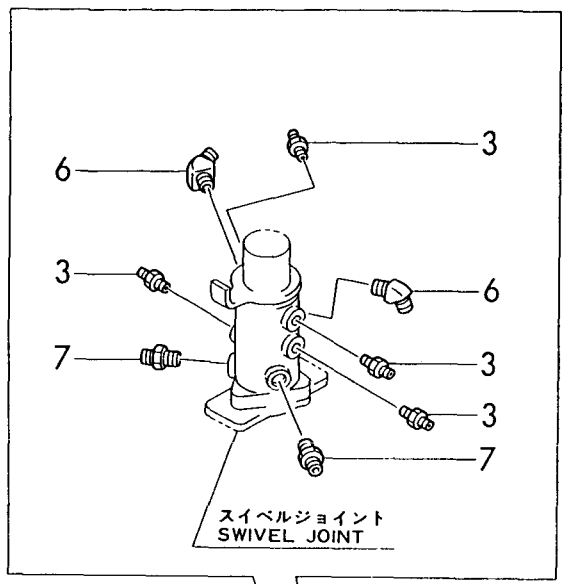
1,1,,172124-76150,, "NIPPLE 3/4U-PF1/4",2,2,2,2,2,2,,,,,,,,,,,,,
2,1,,172110-76440,, ELBOW,1,1,1,1,,,,,,,,,,,,,
2-1,1,,23393-020000,, "JOINT
90RGI1/4",1,1,1,1,1,1,R,,72142283,M11082,72142283,M11082,72142283,M11082,7214228
3,M11082,,,,,I
3,1,,172141-76200,,CONNECTOR,1,1,1,1,1,1,,,,,,,,,,,,,
4,2,,24315-000110,, "O-RING 1B P-11.0",1,1,1,1,1,1,,,,,,,,,,,,,
5,1,,172141-76220,,NIPPLE,2,2,2,2,2,2,,,,,,,,,,,,,
6,1,,172110-76440,,ELBOW,2,2,2,2,,,,,,,,,,,,,
6-1,1,,23393-020000,, "JOINT
90RGI1/4",2,2,2,2,2,2,R,,72142283,M11082,72142283,M11082,72142283,M11082,7214228
3,M11082,,,,,I
7,1,,933152-22771,, "ELBOW (90S)",4,4,4,4,,,,,,,,,,,,,
7-1,1,,23393-020000,, "JOINT
90RGI1/4",4,4,4,4,4,4,R,,72142283,M11082,72142283,M11082,72142283,M11082,7214228
3,M11082,,,,,I
8,1,,933152-24120,, "O-RING (B)",2,2,2,2,2,2,,,,,,,,,,,,,
9,1,,933152-24120,, "O-RING (B)",2,2,2,2,2,2,,,,,,,,,,,,,
10,1,,933152-24120,, "O-RING (B)",2,2,2,2,2,2,,,,,,,,,,,,,
11,1,,933152-24410,, "CONNECTOR (A)",1,1,1,1,1,1,,,,,,,,,,,,,
12,1,,933155-08481,, "CONNECTOR (A)",2,2,2,2,2,2,,,,,,,,,,,,,
13,1,,933169-24091,,CONNECTOR,2,2,2,2,2,2,,,,,,,,,,,,,
14,2,,933152-24120,, "O-RING (B)",2,2,2,2,2,2,,,,,,,,,,,,,
15,1,,933169-24281,,CONNECTOR,1,1,1,1,1,1,,,,,,,,,,,,,
16,2,,933152-07400,, "O-RING (A)",1,1,1,1,1,1,,,,,,,,,,,,,
17,1,,933171-24520,, "CONNECTOR 3/8-78",2,2,2,2,2,2,,,,,,,,,,,,,
18,1,,172141-78040,, "BUSH 10140",1,1,1,1,1,1,,,,,,,,,,,,,
19,1,,172141-78110,,HOSE,1,1,1,1,1,1,,,,,,,,,,,,,
20,1,,172141-78190,,HOSE,1,1,1,1,1,1,,,,,,,,,,,,,
21,1,,172141-78260,,HOSE,2,2,2,2,2,2,,,,,,,,,,,,,
22,1,,172141-78330,,HOSE,1,1,1,1,1,1,,,,,,,,,,,,,
23,2,,172141-78820,, "TUBE, SPIRAL",1,1,1,1,1,1,,,,,,,,,,,,,
24,1,,172141-78340,,HOSE,2,2,2,2,2,2,,,,,,,,,,,,,
25,1,,172141-78350,,HOSE,1,1,1,1,1,1,,,,,,,,,,,,,
26,2,,172141-78840,, "TUBE, SPIRAL",1,1,1,1,1,1,,,,,,,,,,,,,
27,1,,172141-78360,,HOSE,1,1,1,1,1,1,,,,,,,,,,,,,
28,1,,172141-78500,,HOSE,1,1,1,1,1,1,,,,,,,,,,,,,
29,2,,172141-78900,, "TUBE, SPIRAL",1,1,1,1,1,1,,,,,,,,,,,,,
30,1,,172141-78530,,HOSE,1,1,1,1,1,1,,,,,,,,,,,,,
31,1,,23010-014000,, "CLAMP 14",2,2,2,2,2,2,,,,,,,,,,,,,

Fig. 48 ユアツハイカン(バルブ-スイベル、モータ)
 HYD. OIL PIPING (VALVE-SWIVEL, MOTOR)



1,1,,172730-75140,,ADAPTOR,4,4,4,4,4,4,,,,,,,,,,,,,
2,1,,172141-76230,,JOINT,2,2,2,2,2,2,,,,,,,,,,,,,
3,1,,23391-020000,, "JOINT RGI1/4",4,4,4,4,4,4,,,,,,,,,,,,,
4,1,,23391-020000,, "JOINT RGI1/4",2,2,2,2,2,2,,,,,,,,,,,,,
5,1,,24315-000140,, "O-RING 1B P-14.0",4,4,4,4,4,4,,,,,,,,,,,,,
6,1,,933152-22761,, "ELBOW (45°)",2,2,2,2,,,,,,,,,,,,,
6-1,1,,23393-020000,, "JOINT
90RGI1/4",2,2,2,2,2,2,R,,72142283,M11082,72142283,M11082,72142283,M11082,7214228
3,M11082,,,,,I
7,1,,933152-24410,, "CONNECTOR (A)",2,2,2,2,2,2,,,,,,,,,,,,,
8,1,,172141-78450,,HOSE,2,2,2,2,2,2,,,,,,,,,,,,,
9,1,,172141-78460,,HOSE,2,2,2,2,2,2,,,,,,,,,,,,,
10,1,,172141-78470,,HOSE,2,2,2,2,2,2,,,,,,,,,,,,,
11,1,,172141-78480,,HOSE,2,2,2,2,2,2,,,,,,,,,,,,,
12,1,,172141-78490,,HOSE,2,2,2,2,2,2,,,,,,,,,,,,,

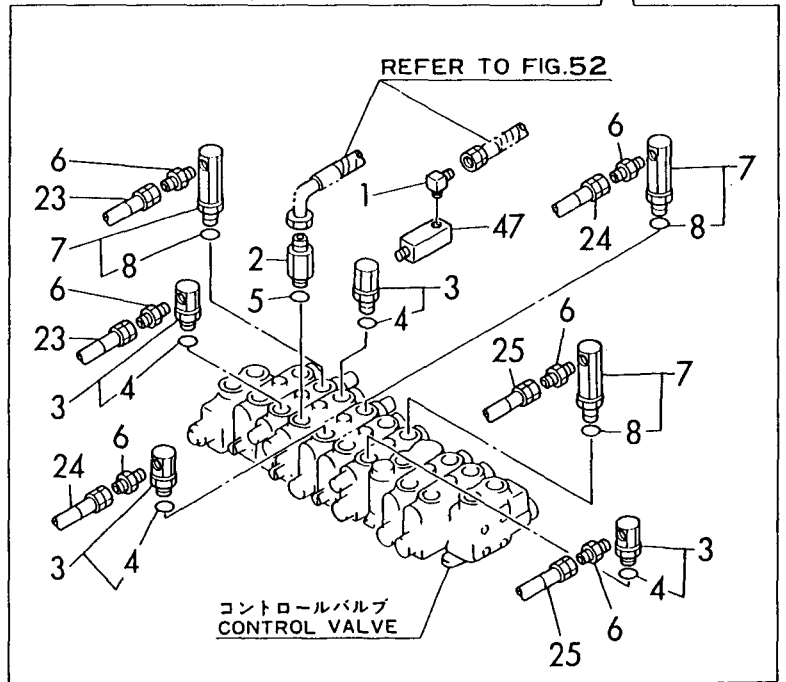
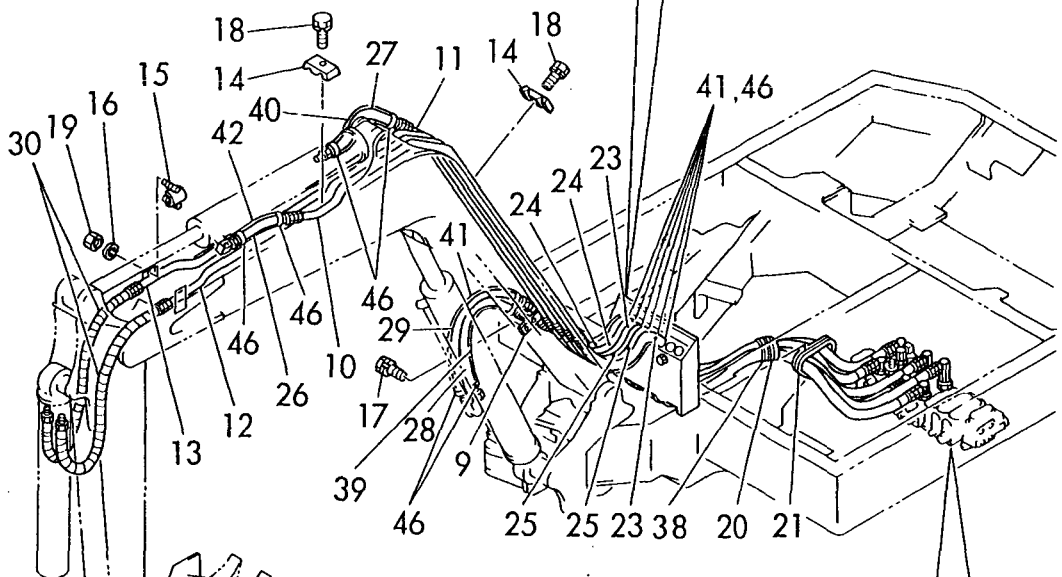
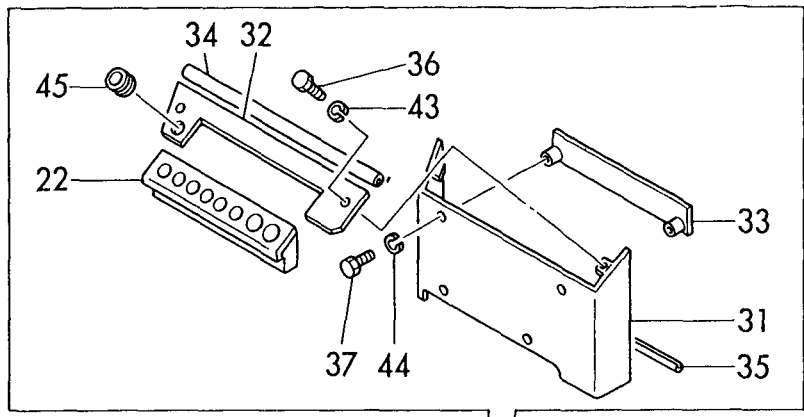
Fig. 49 ユアツハイカン(ソウコウ)
 HYD. OIL PIPING(TRAVEL)



1,1,,172141-76990,, "BUSH 38-55, PIN",1,1,1,1,1,1,,,,,,,,,,,,,
2,1,,172312-76220,, "CONNECTOR 1/4-3/4UN",1,1,1,1,1,1,,,,,,,,,,,,,
3,1,,933152-24062,, "CONNECTOR (C)",4,4,4,4,4,4,,,,,,,,,,,,,
4,2,,933152-24120,, "O-RING (B)",4,4,4,4,4,4,,,,,,,,,,,,,
5,1,,933152-24120,, "O-RING (B)",1,1,1,1,1,1,,,,,,,,,,,,,
6,1,,933152-24410,, "CONNECTOR (A)",6,6,6,6,6,6,,,,,,,,,,,,,
7,1,,933169-24091,, "CONNECTOR",3,3,3,3,3,3,,,,,,,,,,,,,
8,2,,933152-24120,, "O-RING (B)",3,3,3,3,3,3,,,,,,,,,,,,,
9,1,,172141-76501,, "JOINT, BOOM",1,1,1,1,1,1,,,,,,,,,,,,,
10,1,,172141-76530,, "PIPE, ARM(L)",1,1,1,1,1,1,,,,,,,,,,,,,
11,1,,172141-76570,, "PIPE, ARM(R)",1,1,1,1,1,1,,,,,,,,,,,,,
12,1,,172141-76600,, "PIPE, BUCKET(L)",1,1,1,1,1,1,,,,,,,,,,,,,
13,1,,172141-76630,, "PIPE, BUCKET(R)",1,1,1,1,1,1,,,,,,,,,,,,,
14,1,,172141-76670,, "CLAMP, PIPE(A)",5,5,5,5,5,5,,,,,,,,,,,,,
15,1,,172141-76680,, "CLAMP, PIPE(B)",2,2,2,2,2,2,,,,,,,,,,,,,
16,1,,22217-080000,, "SPRING WASHER 8",4,4,4,4,4,4,,,,,,,,,,,,,
17,1,,26013-100202,, "BOLT W/WASHER M10X20",2,2,2,2,2,2,,,,,,,,,,,,,
18,1,,26013-100352,, "BOLT M10X 35",5,5,5,5,5,5,,,,,,,,,,,,,
19,1,,26716-080002,, "NUT M 8",4,4,4,4,4,4,,,,,,,,,,,,,
20,1,,194250-51660,, "BAND 250",1,1,1,1,1,1,,,,,,,,,,,,,
21,1,,172141-78030,, "BUSH 10265",2,2,2,2,2,2,,,,,,,,,,,,,
22,1,,172141-78060,, "CLAMP",1,1,1,1,1,1,,,,,,,,,,,,,
23,1,,172141-78370,, "HOSE",2,2,2,2,2,2,,,,,,,,,,,,,
24,1,,172141-78380,, "HOSE",2,2,2,2,2,2,,,,,,,,,,,,,
25,1,,172141-78390,, "HOSE",2,2,2,2,2,2,,,,,,,,,,,,,
26,1,,172141-78400,, "HOSE",1,1,1,1,1,1,,,,,,,,,,,,,
27,1,,172141-78410,, "HOSE",1,1,1,1,1,1,,,,,,,,,,,,,
28,1,,172141-78420,, "HOSE",1,1,1,1,1,1,,,,,,,,,,,,,
29,1,,172141-78430,, "HOSE",1,1,1,1,1,1,,,,,,,,,,,,,
30,1,,172141-78440,, "HOSE",2,2,2,2,2,2,,,,,,,,,,,,,
31,1,,172141-78720,, "SUPPORT",1,1,1,1,1,1,,,,,,,,,,,,,
32,1,,172141-78750,, "COVER",1,1,1,1,1,1,,,,,,,,,,,,,
33,1,,172141-78760,, "STAY",1,1,1,1,1,1,,,,,,,,,,,,,
34,1,,172141-78790,, "RUMMER",1,1,1,1,1,1,,,,,,,,,,,,,
35,1,,172141-78690,, "RUBBER",1,1,1,1,1,1,,,,,,,,,,,,,
36,1,,26116-060162,, "BOLT M 6X 16 PLATED",2,2,2,2,2,2,,,,,,,,,,,,,
37,1,,26116-100202,, "BOLT M10X 20 PLATED",4,4,4,4,4,4,,,,,,,,,,,,,
38,1,,29321-405065,, "GROMMET 40X5.0",1,1,1,1,1,1,,,,,,,,,,,,,
39,1,,172142-78760,, "COVER 16-650, HOSE",1,1,1,1,1,1,,,,,,,,,,,,,
40,1,,172143-79800,, "COVER, HOSE",1,1,1,1,1,1,,,,,,,,,,,,,
41,1,,172122-79880,, "COVER",7,7,7,7,7,7,,,,,,,,,,,,,
42,1,,172137-79970,, "COVER",1,1,1,1,1,1,,,,,,,,,,,,,
43,1,,22217-060000,, "SPRING WASHER 6",2,2,2,2,2,2,,,,,,,,,,,,,
44,1,,22217-100000,, "SPRING WASHER 10",4,4,4,4,4,4,,,,,,,,,,,,,
45,1,,933168-56000,, "GROMMET 17X19",1,1,1,1,1,1,,,,,,,,,,,,,
46,1,,23000-025000,, "CLAMP 25",20,20,20,20,20,20,,,,,,,,,,,,,
47,1,,172732-76160,, "ELBOW",1,1,1,1,1,1,,,,,,,,,,,,,

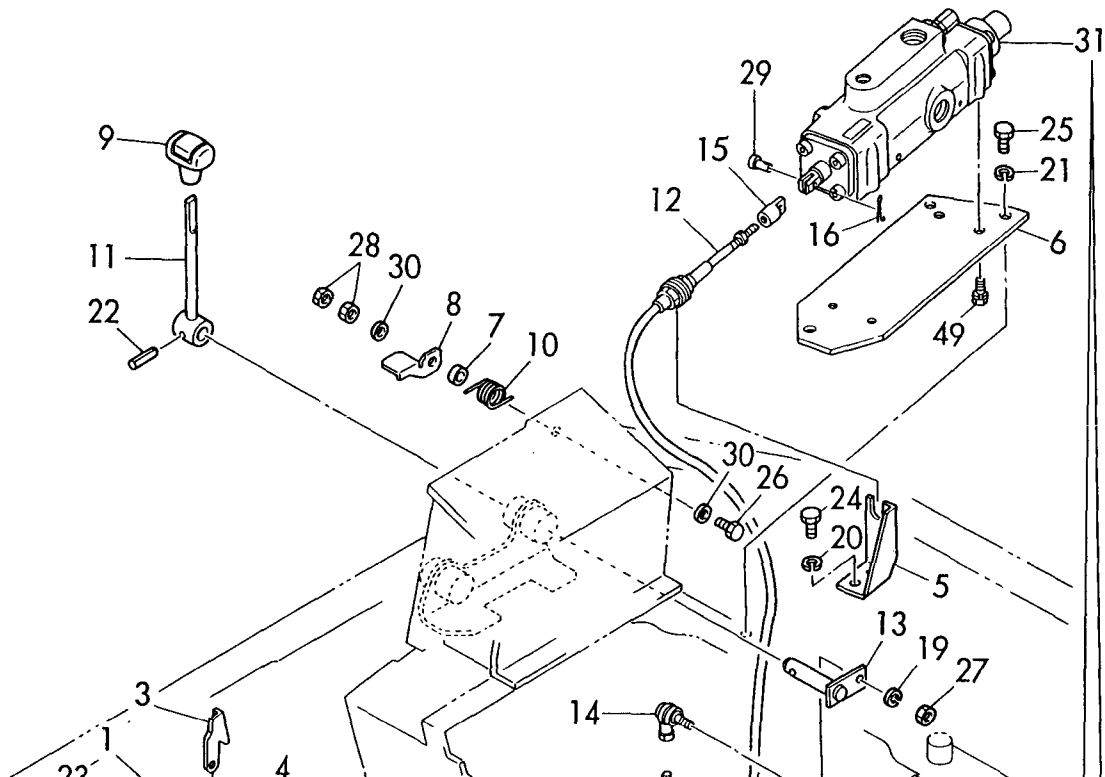
Fig. 50

ユアツハイカン(サギヨウキブ)
HYD. OIL PIPING (WORK EQUIPMENT)



1,1,,172112-41960,, "PIN 8X25.5",1,1,1,1,1,1,,,,,,,,,,,,,
2,1,,172141-42960,, "JOINT, CABLE",1,1,1,1,1,1,,,,,,,,,,,,,
3,1,,172141-43150,, "HOOK, PEDAL",1,1,1,1,1,1,,,,,,,,,,,,,
4,1,,172141-43160,, "BLACK, PEDAL LOCK",1,1,1,1,1,1,,,,,,,,,,,,,
5,1,,172141-43200,, "BRACKET, CABLE",1,1,1,1,1,1,,,,,,,,,,,,,
6,1,,172141-43210,, "BRACKET",1,1,1,1,1,1,,,,,,,,,,,,,
7,1,,172141-43220,, "COLLAR",1,1,1,1,1,1,,,,,,,,,,,,,
8,1,,172141-43230,, "LEVER, LOCK",1,1,1,1,1,1,,,,,,,,,,,,,
9,1,,172116-45940,, "KNOB (C), LEVER",1,1,1,1,1,1,,,,,,,,,,,,,
10,1,,1A1380-46061,, "SPRING, LEVER RETURN",1,1,1,1,1,1,,,,,,,,,,,,,
11,1,,172143-46100,, "LEVER, 3RDV",1,1,1,1,1,1,,,,,,,,,,,,,
12,1,,172143-46120,, "CABLE, 3RDV",1,1,1,1,1,1,,,,,,,,,,,,,
13,1,,172143-46150,, "ARM, 3RDV",1,1,1,1,1,1,,,,,,,,,,,,,
14,1,,172122-46590,, "ELBALL 8",1,1,1,1,1,1,,,,,,,,,,,,,
15,1,,172116-46910,, "JOINT, SPOOL",1,1,1,1,1,1,,,,,,,,,,,,,
16,1,,1C6281-52310,, "PIN 6, COME-OFF SNAP",1,1,1,1,1,1,,,,,,,,,,,,,
17,1,,1C6281-52310,, "PIN 6, COME-OFF SNAP",1,1,1,1,1,1,,,,,,,,,,,,,
18,1,,22137-080000,, "WASHER 8, POLISHED",1,1,1,1,1,1,,,,,,,,,,,,,
19,1,,22217-080000,, "SPRING WASHER 8",1,1,1,1,1,1,,,,,,,,,,,,,
20,1,,22217-100000,, "SPRING WASHER 10",2,2,2,2,2,2,,,,,,,,,,,,,
21,1,,22217-100000,, "SPRING WASHER 10",3,3,3,3,3,3,,,,,,,,,,,,,
22,1,,22351-050032,, "SPRING PIN 5X32",1,1,1,1,1,1,,,,,,,,,,,,,
23,1,,26013-100402,, "BOLT M10X 40",1,1,1,1,1,1,,,,,,,,,,,,,
24,1,,26116-100202,, "BOLT M10X 20 PLATED",2,2,2,2,2,2,,,,,,,,,,,,,
25,1,,26116-100202,, "BOLT M10X 20 PLATED",3,3,3,3,3,3,,,,,,,,,,,,,
26,1,,26116-100302,, "BOLT M10X 30 PLATED",1,1,1,1,1,1,,,,,,,,,,,,,
27,1,,26716-080002,, "NUT M 8",1,1,1,1,1,1,,,,,,,,,,,,,
28,1,,26757-100002,, "LOCK NUT M10 PLATED",2,2,2,2,2,2,,,,,,,,,,,,,
29,1,,933110-54100,, "PIN 4.75X14",1,1,1,1,1,1,,,,,,,,,,,,,
30,1,,22137-100000,, "WASHER 10, POLISHED",2,2,2,2,2,2,,,,,,,,,,,,,
31,1,,172141-74700,, "VALVE ASSY, SELECTOR",1,1,1,1,1,1,,,,,,,,,,,,,
32,2,,172141-74790,, "PLATE, ADAPTER",1,1,1,1,1,1,,,,,,,,,,,,,
33,2,,172141-74820,, "PLATE",1,1,1,1,1,1,,,,,,,,,,,,,
34,2,,172141-74830,, "COVER",1,1,1,1,1,1,,,,,,,,,,,,,
35,2,,172141-74840,, "SPRING",1,1,1,1,1,1,,,,,,,,,,,,,
36,2,,172141-74850,, "RETAINER, BALL",1,1,1,1,1,1,,,,,,,,,,,,,
37,2,,172141-74860,, "SLEEVE, DETENT",1,1,1,1,1,1,,,,,,,,,,,,,
38,2,,172141-74870,, "SEAL KIT",1,1,1,1,1,1,,,,,,,,,,,,,
39,2,,172141-74890,, "WASHER",1,1,1,1,1,1,,,,,,,,,,,,,
40,2,,172141-74900,, "GUIDE",1,1,1,1,1,1,,,,,,,,,,,,,
41,2,,172141-74910,, "SPACER",1,1,1,1,1,1,,,,,,,,,,,,,
42,2,,172141-74920,, "VALVE, RELIEF",1,1,1,1,1,1,,,,,,,,,,,,,
43,2,,172141-74930,, "STUD",2,2,2,2,2,2,,,,,,,,,,,,,
44,2,,172141-74950,, "PLUG 1/16",3,3,3,3,3,3,,,,,,,,,,,,,
45,2,,24190-050002,, "BALL 5/32",2,2,2,2,2,2,,,,,,,,,,,,,
46,2,,26450-060162,, "BOLT M 6X 16",1,1,1,1,1,1,,,,,,,,,,,,,
47,2,,26450-060202,, "BOLT M 6X 20",7,7,7,7,7,7,,,,,,,,,,,,,
48,2,,26557-080502,, "SCREW M 8X 50",1,1,1,1,1,1,,,,,,,,,,,,,
49,1,,26013-080202,, "BOLT W/WASHER M8X20",4,4,4,4,4,4,,,,,,,,,,,,,

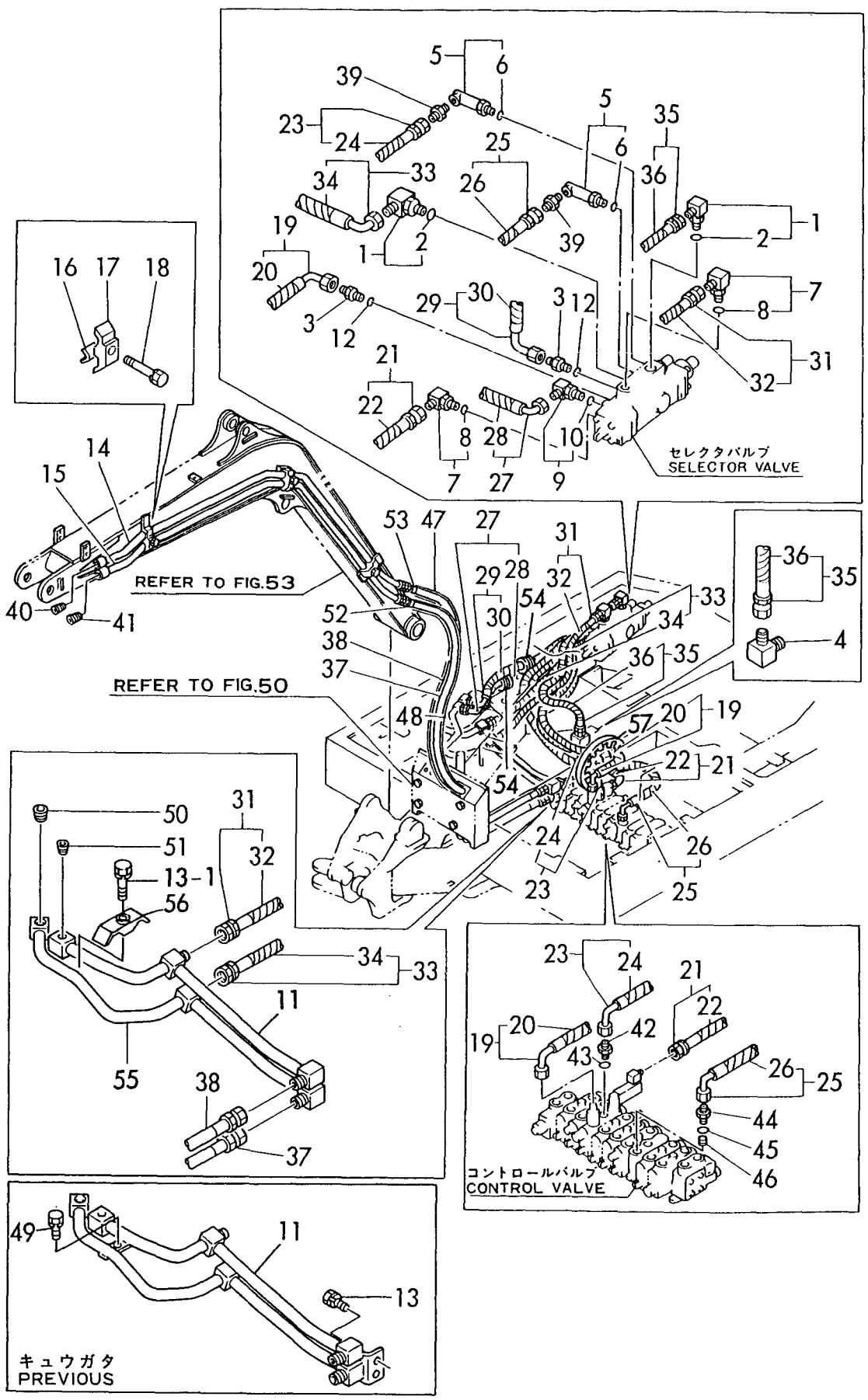
Fig. 51 サードバルブコントロール
3RD VALVE CONTROL



1,1,,172141-76090,, "CONNECTOR 3/4L",2,2,2,2,2,2,,,,,,,,,,,,,
2,2,,24315-000240,, "O-RING 1B P-24.0",2,2,2,2,2,2,,,,,,,,,,,,,
3,1,,172124-76160,,CONNECTOR,2,2,2,2,2,2,,,,,,,,,,,,,
4,1,,933166-25360,, "ELBOW 3/4 (90°)",1,1,1,1,1,1,,,,,,,,,,,,,
5,1,,172141-76880,, "CONNECTOR 3/8L",2,2,2,2,2,2,,,,,,,,,,,,,
6,2,,24315-000140,, "O-RING 1B P-14.0",2,2,2,2,2,2,,,,,,,,,,,,,
7,1,,172141-76900,, "CONNECTOR 1/2L",2,2,2,2,2,2,,,,,,,,,,,,,
8,2,,24315-000180,, "O-RING 1B P-18.0",2,2,2,2,2,2,,,,,,,,,,,,,
9,1,,172141-76920,, "CONNECTOR 3/8-1/4L",1,1,1,1,1,1,,,,,,,,,,,,,
10,2,,24315-000140,, "O-RING 1B P-14.0",1,1,1,1,1,1,,,,,,,,,,,,,
11,1,,172143-76850,, "TUBE, 3RD",1,1,1,1,1,1,,,,,,,,,,,,,
12,1,,24315-000140,, "O-RING 1B P-14.0",2,2,2,2,2,2,,,,,,,,,,,,,
13,1,,26013-100202,, "BOLT W/WASHER M10X20",2,2,2,2,2,2,,,,,,,,,,,,,
13-1,1,,26013-100452,, "BOLT M10X
45",2,2,2,2,2,2,N,,72143010,M11082,72143010,M11082,72143010,M11082,72143010,M110
82,,,,,I
14,1,,172141-76750,, "PIPE, 3RD V.(P)",1,1,1,1,1,1,,,,,,,,,,,,,
15,1,,172141-76800,, "PIPE, 3RD V.(T)",1,1,1,1,1,1,,,,,,,,,,,,,
16,1,,172141-76850,, "SPACER, CLAMP",3,3,3,3,3,3,,,,,,,,,,,,,
17,1,,172125-76900,,CLAMP,3,3,3,3,3,3,,,,,,,,,,,,,
18,1,,26013-120502,, "BOLT M12X 50",3,3,3,3,3,3,,,,,,,,,,,,,
19,1,,172141-79100,,HOSE,1,1,1,1,,,,,,,,,,,,,
19-1,1,,172143-
79100,,HOSE,1,1,1,1,1,1,N,,72143019,*1990.07,72143019,*1990.07,72143019,*1990.07
,72143019,*1990.07,,,,,I
20,2,,172141-79120,, "TUBE, SPIRAL",1,1,1,1,,,,,,,,,,,,,
20-1,2,,172143-79120,, "TUBE,
SPIRAL",1,1,1,1,1,1,N,,72143019,*1990.07,72143019,*1990.07,72143019,*1990.07,721
43019,*1990.07,,,,,I
21,1,,172141-79130,,HOSE,1,1,1,1,1,1,,,,,,,,,,,,,
22,2,,172141-79150,, "TUBE, SPIRAL",1,1,1,1,1,1,,,,,,,,,,,,,
23,1,,172141-79160,,HOSE,1,1,1,1,,,,,,,,,,,,,
23-1,1,,172143-
79130,,HOSE,1,1,1,1,1,1,N,,72143019,*1990.07,72143019,*1990.07,72143019,*1990.07
,72143019,*1990.07,,,,,I
24,2,,172141-79180,, "TUBE, SPIRAL",1,1,1,1,,,,,,,,,,,,,
24-1,2,,172143-79150,, "TUBE,
SPIRAL",1,1,1,1,1,1,N,,72143019,*1990.07,72143019,*1990.07,72143019,*1990.07,721
43019,*1990.07,,,,,I
25,1,,172141-79190,,HOSE,1,1,1,1,,,,,,,,,,,,,
25-1,1,,172143-
79160,,HOSE,1,1,1,1,1,1,N,,72143019,*1990.07,72143019,*1990.07,72143019,*1990.07
,72143019,*1990.07,,,,,I
26,2,,172141-79210,, "TUBE, SPIRAL",1,1,1,1,,,,,,,,,,,,,
26-1,2,,172143-79180,, "TUBE,
SPIRAL",1,1,1,1,1,1,N,,72143019,*1990.07,72143019,*1990.07,72143019,*1990.07,721
43019,*1990.07,,,,,I
27,1,,172141-79220,,HOSE,1,1,1,1,1,1,,,,,,,,,,,,,
28,2,,172141-79240,, "TUBE, SPIRAL",1,1,1,1,1,1,,,,,,,,,,,,,
29,1,,172141-79250,,HOSE,1,1,1,1,1,1,,,,,,,,,,,,,
30,2,,172141-79270,, "TUBE, SPIRAL",1,1,1,1,1,1,,,,,,,,,,,,,
31,1,,172143-79280,,HOSE,1,1,1,1,1,1,,,,,,,,,,,,,
32,2,,172143-79300,, "TUBE, SPIRAL",1,1,1,1,1,1,,,,,,,,,,,,,
33,1,,172143-79310,,HOSE,1,1,1,1,1,1,,,,,,,,,,,,,
34,2,,172143-79330,, "TUBE, SPIRAL",1,1,1,1,1,1,,,,,,,,,,,,,
35,1,,172141-79340,,HOSE,1,1,1,1,1,1,,,,,,,,,,,,,
36,2,,172141-79360,, "TUBE, SPIRAL",1,1,1,1,1,1,,,,,,,,,,,,,
37,1,,172141-79370,,HOSE,1,1,1,1,1,1,,,,,,,,,,,,,
38,1,,172141-79380,,HOSE,1,1,1,1,1,1,,,,,,,,,,,,,
39,1,,933152-24410,, "CONNECTOR (A)",2,2,2,2,2,2,,,,,,,,,,,,,
40,1,,23871-040000,, "PLUG PT1/2, SCREW",1,1,1,1,1,1,,,,,,,,,,,,,
41,1,,23871-060000,, "PLUG PT3/4, SCREW",1,1,1,1,1,1,,,,,,,,,,,,,
42,1,,172142-74310,,NIPPLE,1,1,1,1,1,1,,,,,,,,,,,,,

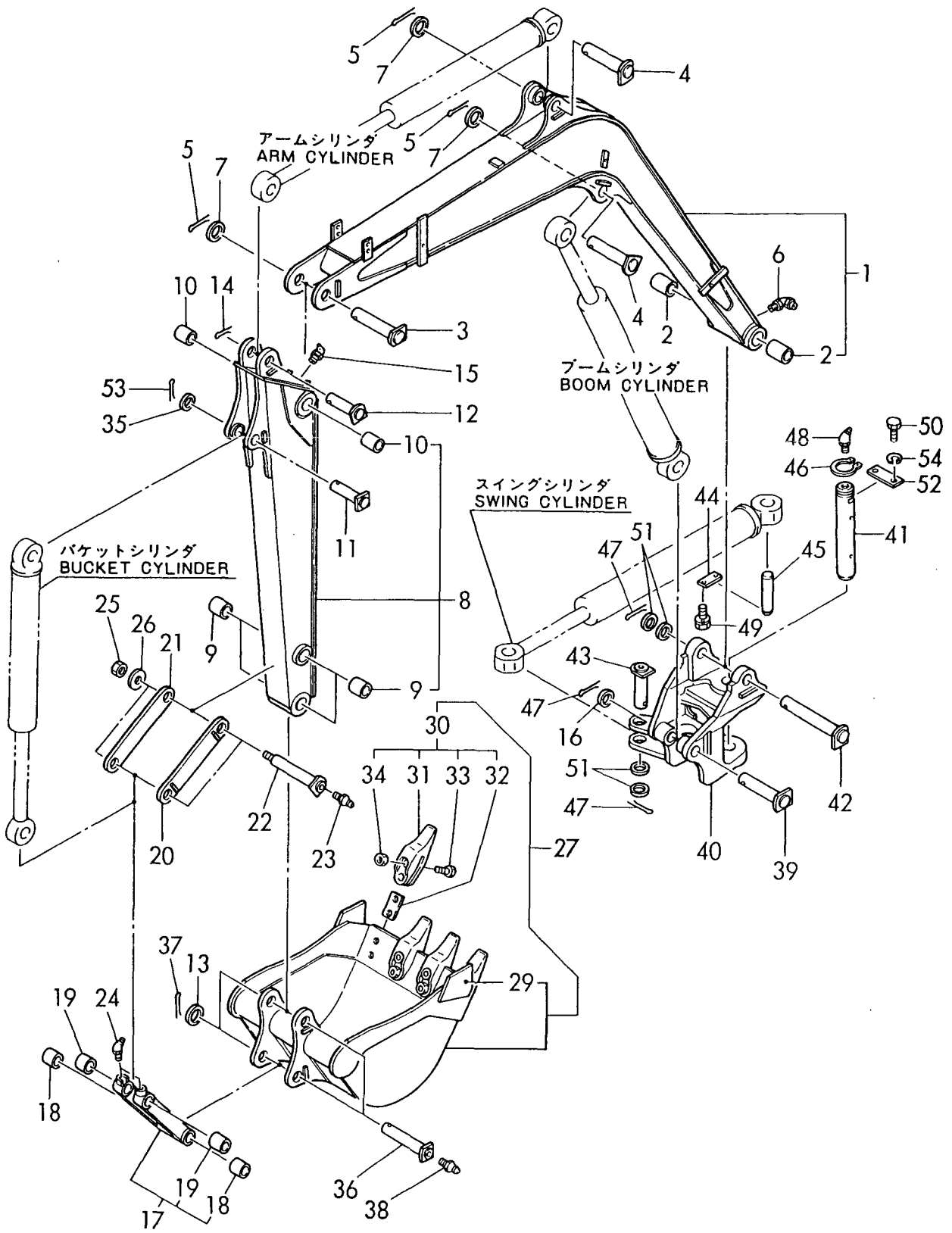
43,1,,172141-74430,,O-RING,1,1,1,1,1,1,,,,,,,,,,,,,
44,1,,933160-03530,, "PORT, PUMP EXH.",1,1,1,1,1,1,,,,,,,,,,,,,
45,1,,933152-07400,, "O-RING (A)",1,1,1,1,1,1,,,,,,,,,,,,,
46,1,,172141-74750,, PLUG,1,1,1,1,1,1,,,,,,,,,,,,,
47,1,,172142-78790,, "COVER 20-600, HOSE",1,1,1,1,1,1,,,,,,,,,,,,,
48,1,,172137-79950,, COVER,1,1,1,1,1,1,,,,,,,,,,,,,
49,1,,26013-100202,, "BOLT W/WASHER
M10X20",1,1,1,1,,Z,,72143010,M11082,72143010,M11082,72143010,M11082,72143010,M1
1082,,,,,I
50,1,,23871-040000,, "PLUG PT1/2,SCREW",1,1,1,1,1,1,,,,,,,,,,,,,
51,1,,23871-060000,, "PLUG PT3/4,SCREW",1,1,1,1,1,1,,,,,,,,,,,,,
52,1,,23000-041000,, "CLAMP 41",2,2,2,2,2,2,,,,,,,,,,,,,
53,1,,23000-025000,, "CLAMP 25",2,2,2,2,2,2,,,,,,,,,,,,,
54,1,,933171-15680,, "GROMMET 40X13",2,2,2,2,2,2,,,,,,,,,,,,,
55,1,,172143-76840,, "TUBE,
3RD",1,1,1,1,1,1,W,,72143010,M11082,72143010,M11082,72143010,M11082,72143010,M11
082,,,,,I
56,1,,172112-76300,, "RETAINER A,BOOM
PIPE",2,2,2,2,2,2,W,,72143010,M11082,72143010,M11082,72143010,M11082,72143010,M1
1082,,,,,I
57,1,,172143-79090,, "BUSH
10190",1,1,1,1,1,1,W,,72143019,*1990.07,72143019,*1990.07,72143019,*1990.07,7214
3019,*1990.07,,,,,I

Fig. 52 サードバルブハイカン
3RD VALVE PIPING



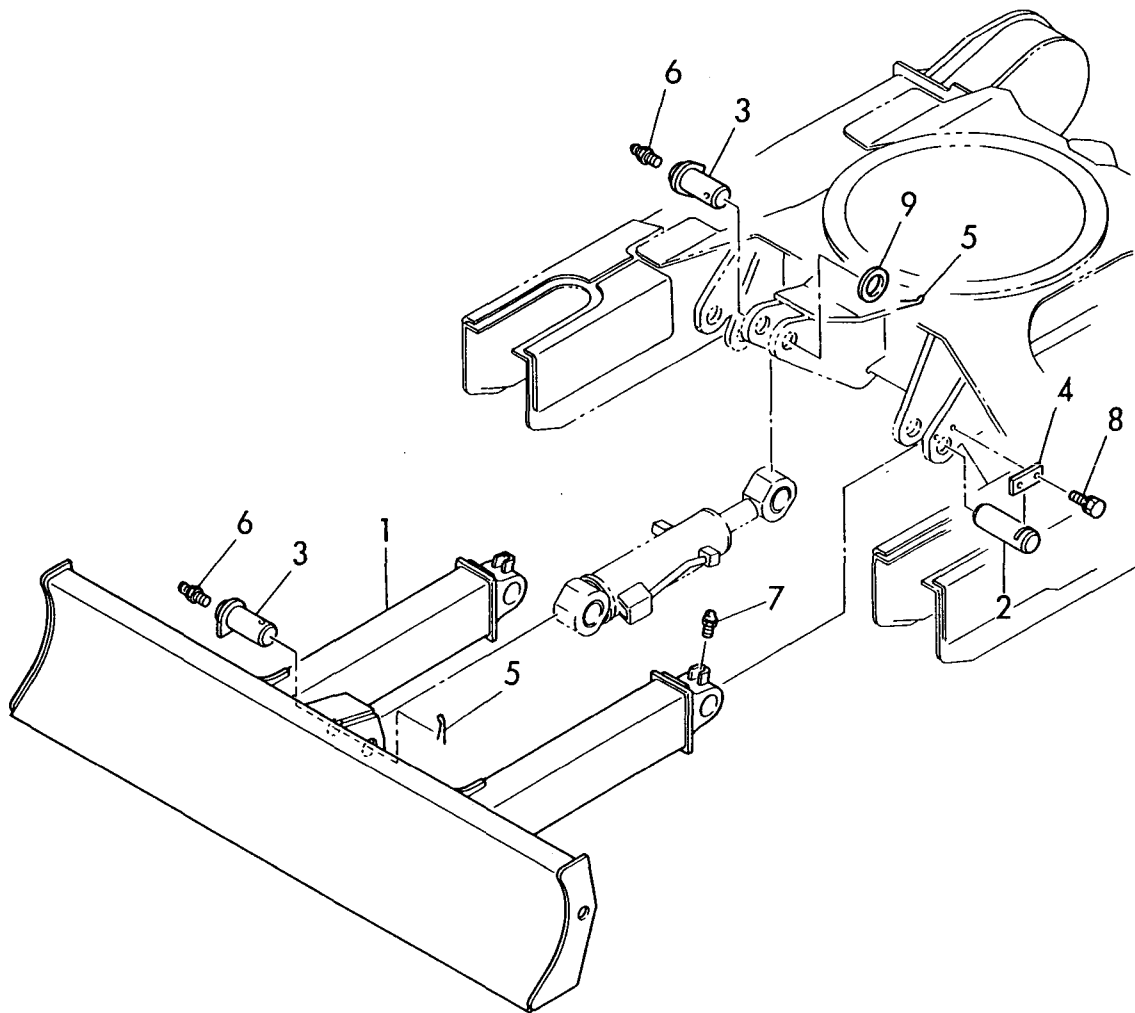
1,1,,172141-81500,, "BOOM W/BUSH, 3RD",1,1,1,1,1,1,,,,,,,,,,,,,
2,2,,172116-82400,, "PIN BUSH 38X55",2,2,2,2,2,2,,,,,,,,,,,,,
3,1,,172141-81400,, "PIN 38-160",1,1,1,1,1,1,,,,,,,,,,,,,
4,1,,172141-81420,, "PIN 38-115",2,2,2,2,2,2,,,,,,,,,,,,,
5,1,,22417-800500,, "COTTER PIN 8.0X50",3,3,3,3,3,3,,,,,,,,,,,,,
6,1,,24761-040000,, "NIPPLE B,GREASE",1,1,1,1,1,1,,,,,,,,,,,,,
7,1,,933171-29750,, "SHIM SET, PIN 38",3,3,3,3,3,3,,,,,,,,,,,,,
8,1,,172141-82100,, "ARM ASSY(1080)",1,1,1,1,1,1,,,,,,,,,,,,,
9,2,,172141-82270,, "BUSH 38 45, PIN",4,4,4,4,4,4,,,,,,,,,,,,,
10,2,,172141-82280,, "BUSH 38 45, PIN",2,2,2,2,2,2,,,,,,,,,,,,,
11,1,,172141-82300,, "PIN 38-86",1,1,1,1,1,1,,,,,,,,,,,,,
12,1,,172141-82330,, "PIN 38-86",1,1,1,1,1,1,,,,,,,,,,,,,
13,1,,172141-84600,, "SHIM 35",2,2,2,2,2,2,,,,,,,,,,,,,
14,1,,22417-800500,, "COTTER PIN 8.0X50",1,1,1,1,1,1,,,,,,,,,,,,,
15,1,,24761-040000,, "NIPPLE B,GREASE",1,1,1,1,1,1,,,,,,,,,,,,,
16,1,,933171-29750,, "SHIM SET, PIN 38",1,1,1,1,1,1,,,,,,,,,,,,,
17,1,,172141-84400,, "LINK W/BUSH, BUCKET",1,1,1,1,1,1,,,,,,,,,,,,,
18,2,,172141-82270,, "BUSH 38 45, PIN",2,2,2,2,2,2,,,,,,,,,,,,,
19,2,,172141-72560,, "BUSH 35 40 A, PIN",2,2,2,2,2,2,,,,,,,,,,,,,
20,1,,172141-84500,, "RAM(L), BUCKET",1,1,1,1,1,1,,,,,,,,,,,,,
21,1,,172141-84510,, "PLATE, BUCKET ARM",1,1,1,1,1,1,,,,,,,,,,,,,
22,1,,172141-84550,, "PIN 35-152",2,2,2,2,2,2,,,,,,,,,,,,,
23,1,,24761-020000,, "NIPPLE PT1/8,GREASE",2,2,2,2,2,2,,,,,,,,,,,,,
24,1,,24761-040000,, "NIPPLE B,GREASE",2,2,2,2,2,2,,,,,,,,,,,,,
25,1,,933110-86600,, "NUT M24, NYLON",2,2,2,2,2,2,,,,,,,,,,,,,
26,1,,933171-29760,, "WASHER",2,2,2,2,2,2,,,,,,,,,,,,,
27,1,,772141-81401,, "BUCKET 450",1,1,1,1,1,1,,,,,,,,,,,,,
29,3,,172116-86240,, "SIDE CUTTER, BUCKET",2,2,2,2,2,2,,,,,,,,,,,,,
30,2,,772141-86231,, "TEETH ASSY",4,4,4,4,4,4,,,,,,,,,,,,,
31,3,,172141-86231,, "TEETH",4,4,4,4,4,4,,,,,,,,,,,,,
32,3,,172137-86710,, "TEETH SHIM 17 SET",4,4,4,4,4,4,,,,,,,,,,,,,
33,3,,172137-86770,, "BOLT",8,8,8,8,8,8,,,,,,,,,,,,,
34,3,,172137-86780,, "NUT",8,8,8,8,8,8,,,,,,,,,,,,,
35,1,,172141-84600,, "SHIM 35",1,1,1,1,1,1,,,,,,,,,,,,,
36,1,,172141-86251,, "PIN 35-188 CMP",2,2,2,2,2,2,,,,,,,,,,,,,
37,1,,22417-800450,, "COTTER PIN 8.0X45",2,2,2,2,2,2,,,,,,,,,,,,,
38,1,,24761-020000,, "NIPPLE PT1/8,GREASE",2,2,2,2,2,2,,,,,,,,,,,,,
39,1,,172141-81400,, "PIN 38-160",1,1,1,1,1,1,,,,,,,,,,,,,
40,1,,172141-83301,, "BRACKET, BOOM",1,1,1,1,1,1,,,,,,,,,,,,,
41,1,,172141-83322,, "PIN 50-303",1,1,1,1,1,1,,,,,,,,,,,,,
42,1,,172141-83340,, "PIN 38-223",1,1,1,1,1,1,,,,,,,,,,,,,
43,1,,172141-83371,, "PIN 38-97",1,1,1,1,1,1,,,,,,,,,,,,,
44,1,,172141-83390,, "PLATE, PIN LOCK",1,1,1,1,1,1,,,,,,,,,,,,,
45,1,,172141-94260,, "PIN 38-130",1,1,1,1,1,1,,,,,,,,,,,,,
46,1,,22242-000500,, "CIRCLIP 50",1,1,1,1,1,1,,,,,,,,,,,,,
47,1,,22417-800500,, "COTTER PIN
8.0X50",3,3,3,3,3,3,, ,72171061,,72171061,,72171061,,72171061,,72171061,,72171061
,,I
48,1,,24761-040000,, "NIPPLE B,GREASE",1,1,1,1,1,1,,,,,,,,,,,,,
49,1,,26013-100252,, "BOLT M10X 25",2,2,2,2,2,2,,,,,,,,,,,,,
50,1,,26116-160402,, "BOLT M16X 40 PLATED",2,2,2,2,2,2,,,,,,,,,,,,,
51,1,,933171-29750,, "SHIM SET, PIN 38",4,4,4,4,4,4,,,,,,,,,,,,,
52,1,,172141-83400,, "PLATE",1,1,1,1,1,1,,,,,,,,,,,,,
53,1,,22417-800450,, "COTTER PIN
8.0X45",1,1,1,1,1,1,, ,72171061,,72171061,,72171061,,72171061,,72171061,,72171061
,,I
54,1,,22217-160000,, "SPRING WASHER 16",2,2,2,2,2,2,,,,,,,,,,,,,

Fig. 53 ブーム&バケット
BOOM & BUCKET



1,1,,172141-94100,, "BLADE ASSY, 850",1,1,1,1,1,1,,,,,,,,,,,,,
2,1,,172141-94260,, "PIN 38-130",2,2,2,2,2,2,,,,,,,,,,,,,
3,1,,172141-94270,, "PIN 38-90",2,2,2,2,2,2,,,,,,,,,,,,,
4,1,,172124-94310,, "PLATE, LOCK",2,2,2,2,2,2,,,,,,,,,,,,,
5,1,,22417-800560,, "COTTER PIN 8.0X 56",2,2,2,2,2,2,,,,,,,,,,,,,
6,1,,24761-020000,, "NIPPLE PT1/8,GREASE",2,2,2,2,2,2,,,,,,,,,,,,,
7,1,,24761-040000,, "NIPPLE B,GREASE",2,2,2,2,2,2,,,,,,,,,,,,,
8,1,,26013-100252,, "BOLT M10X 25",4,4,4,4,4,4,,,,,,,,,,,,,
9,1,,933171-29750,, "SHIM SET, PIN 38",1,1,1,1,1,1,,,,,,,,,,,,,

Fig. **54** ブレード (850)
BLADE (850)



Y00S2901,"Construction equipment",Excavator,B
[Info]
PcNo=Y00S2901
PcName=B22(EUROPE)
JpnUse=0
JpnSec1=
JpnSec2=
JpnSec3=
JpnPreface=0
EngUse=1
EngSec1=CONSTRUCTION
EngSec2=EXCAVATOR (B)
EngSec3=B
EngPreface=1

0,Y00S2901
 1,001,, "VEHICLE B22"
 2,1,, "LABEL(CANOPY SPEC.)", "B22(R) AY", "B22-P(R) AY", "B22(R) UK", "B22-P(R) UK", "B22(R) EP", "B22-P(R) EP"
 2,2,, "LABEL(CANOPY SPEC.)", "B22(R) AY", "B22-P(R) AY", "B22(R) UK", "B22-P(R) UK", "B22(R) EP", "B22-P(R) EP"
 2,3,, "LABEL(UK REMODELING) (OPTIONAL)", "B22(R) AY", "B22-P(R) AY", "B22(R) UK", "B22-P(R) UK", "B22(R) EP", "B22-P(R) EP"
 2,4,, "TOOL", "B22(R) AY", "B22-P(R) AY", "B22(R) UK", "B22-P(R) UK", "B22(R) EP", "B22-P(R) EP"
 2,5,, "TOOL", "B22(R) AY", "B22-P(R) AY", "B22(R) UK", "B22-P(R) UK", "B22(R) EP", "B22-P(R) EP"
 2,6,, "AIR CLEANER & SILENCER", "B22(R) AY", "B22-P(R) AY", "B22(R) UK", "B22-P(R) UK", "B22(R) EP", "B22-P(R) EP"
 2,7,, "ACCELERATOR", "B22(R) AY", "B22-P(R) AY", "B22(R) UK", "B22-P(R) UK", "B22(R) EP", "B22-P(R) EP"
 2,8,, "ENGINE MOUNT & RADIATOR", "B22(R) AY", "B22-P(R) AY", "B22(R) UK", "B22-P(R) UK", "B22(R) EP", "B22-P(R) EP"
 2,9,, "FUEL TANK & FUEL LINE", "B22(R) AY", "B22-P(R) AY", "B22(R) UK", "B22-P(R) UK", "B22(R) EP", "B22-P(R) EP"
 2,10,, "BATTERY", "B22(R) AY", "B22-P(R) AY", "B22(R) UK", "B22-P(R) UK", "B22(R) EP", "B22-P(R) EP"
 2,11,, "ELECTRIC PART", "B22(R) AY", "B22-P(R) AY", "B22(R) UK", "B22-P(R) UK", "B22(R) EP", "B22-P(R) EP"
 2,12,, "WORK LAMP", "B22(R) AY", "B22-P(R) AY", "B22(R) UK", "B22-P(R) UK", "B22(R) EP", "B22-P(R) EP"
 2,13,, "HEATER", "B22(R) AY", "B22-P(R) AY", "B22(R) UK", "B22-P(R) UK", "B22(R) EP", "B22-P(R) EP"
 2,14,, "RADIO(EC)", "B22(R) AY", "B22-P(R) AY", "B22(R) UK", "B22-P(R) UK", "B22(R) EP", "B22-P(R) EP"
 2,15,, "TRACK ROLLER", "B22(R) AY", "B22-P(R) AY", "B22(R) UK", "B22-P(R) UK", "B22(R) EP", "B22-P(R) EP"
 2,16,, "TRACK FRAME & IDLER", "B22(R) AY", "B22-P(R) AY", "B22(R) UK", "B22-P(R) UK", "B22(R) EP", "B22-P(R) EP"
 2,17,, "TRACK FRAME & IDLER(R)", "B22(R) AY", "B22-P(R) AY", "B22(R) UK", "B22-P(R) UK", "B22(R) EP", "B22-P(R) EP"
 2,18,, "CRAWLER(270)", "B22(R) AY", "B22-P(R) AY", "B22(R) UK", "B22-P(R) UK", "B22(R) EP", "B22-P(R) EP"
 2,19,, "LINK STAND", "B22(R) AY", "B22-P(R) AY", "B22(R) UK", "B22-P(R) UK", "B22(R) EP", "B22-P(R) EP"
 2,20,, "CONTROL EQUIPMENT(BOOM&BASKET)", "B22(R) AY", "B22-P(R) AY", "B22(R) UK", "B22-P(R) UK", "B22(R) EP", "B22-P(R) EP"
 2,21,, "CONTROL EQUIP.(ARM & TURNING)", "B22(R) AY", "B22-P(R) AY", "B22(R) UK", "B22-P(R) UK", "B22(R) EP", "B22-P(R) EP"
 2,22,, "CONTROL EQUIP.(TRAVEL & SWING)", "B22(R) AY", "B22-P(R) AY", "B22(R) UK", "B22-P(R) UK", "B22(R) EP", "B22-P(R) EP"
 2,23,, "CONTROL EQUIPMENT(BLADE)", "B22(R) AY", "B22-P(R) AY", "B22(R) UK", "B22-P(R) UK", "B22(R) EP", "B22-P(R) EP"
 2,24,, "ORERATION LEVER STOPPER", "B22(R) AY", "B22-P(R) AY", "B22(R) UK", "B22-P(R) UK", "B22(R) EP", "B22-P(R) EP"
 2,25,, "TURNING FRAME", "B22(R) AY", "B22-P(R) AY", "B22(R) UK", "B22-P(R) UK", "B22(R) EP", "B22-P(R) EP"
 2,26,, "TURNING DRIVING GEARS", "B22(R) AY", "B22-P(R) AY", "B22(R) UK", "B22-P(R) UK", "B22(R) EP", "B22-P(R) EP"
 2,27,, "BONNET", "B22(R) AY", "B22-P(R) AY", "B22(R) UK", "B22-P(R) UK", "B22(R) EP", "B22-P(R) EP"
 2,28,, "SEAT & STEP", "B22(R) AY", "B22-P(R) AY", "B22(R) UK", "B22-P(R) UK", "B22(R) EP", "B22-P(R) EP"
 2,29,, "ROPS", "B22(R) AY", "B22-P(R) AY", "B22(R) UK", "B22-P(R) UK", "B22(R) EP", "B22-P(R) EP"
 2,30,, "BOOM CYLINDER(UZ) (CANOPY SPEC.)", "B22(R) AY", "B22-P(R) AY", "B22(R) UK", "B22-P(R) UK", "B22(R) EP", "B22-P(R) EP"

2,31,, "BOOM CYLINDER(UZ)(CABIN SPEC.)", "B22(R) AY", "B22-P(R) AY", "B22(R)
UK", "B22-P(R) UK", "B22(R) EP", "B22-P(R) EP"
2,32,, "ARM CYLINDER", "B22(R) AY", "B22-P(R) AY", "B22(R) UK", "B22-P(R)
UK", "B22(R) EP", "B22-P(R) EP"
2,33,, "BUCKET CYLINDER", "B22(R) AY", "B22-P(R) AY", "B22(R) UK", "B22-P(R)
UK", "B22(R) EP", "B22-P(R) EP"
2,34,, "SWING CYLINDER", "B22(R) AY", "B22-P(R) AY", "B22(R) UK", "B22-P(R)
UK", "B22(R) EP", "B22-P(R) EP"
2,35,, "BLADE CYLINDER", "B22(R) AY", "B22-P(R) AY", "B22(R) UK", "B22-P(R)
UK", "B22(R) EP", "B22-P(R) EP"
2,36,, "HYD. OIL PUMP & JOINT", "B22(R) AY", "B22-P(R) AY", "B22(R) UK", "B22-
P(R) UK", "B22(R) EP", "B22-P(R) EP"
2,37,, "TURNING MOTOR", "B22(R) AY", "B22-P(R) AY", "B22(R) UK", "B22-P(R)
UK", "B22(R) EP", "B22-P(R) EP"
2,38,, "TRAVEL MOTOR", "B22(R) AY", "B22-P(R) AY", "B22(R) UK", "B22-P(R)
UK", "B22(R) EP", "B22-P(R) EP"
2,39,, "SWIVEL JOINT", "B22(R) AY", "B22-P(R) AY", "B22(R) UK", "B22-P(R)
UK", "B22(R) EP", "B22-P(R) EP"
2,40,, "CON. VALVE (TRAVEL & TURNING)", "B22(R) AY", "B22-P(R) AY", "B22(R)
UK", "B22-P(R) UK", "B22(R) EP", "B22-P(R) EP"
2,41,, "CONTROL VALVE(ARM & BUCKET)", "B22(R) AY", "B22-P(R) AY", "B22(R)
UK", "B22-P(R) UK", "B22(R) EP", "B22-P(R) EP"
2,42,, "CONTROL VALVE(SWING & BOOM)", "B22(R) AY", "B22-P(R) AY", "B22(R)
UK", "B22-P(R) UK", "B22(R) EP", "B22-P(R) EP"
2,43,, "CONTROL VALVE(BLADE)", "B22(R) AY", "B22-P(R) AY", "B22(R) UK", "B22-P(R)
UK", "B22(R) EP", "B22-P(R) EP"
2,44,, "CONTROL VALVE(P1,P2,P3)", "B22(R) AY", "B22-P(R) AY", "B22(R) UK", "B22-
P(R) UK", "B22(R) EP", "B22-P(R) EP"
2,45,, "HYD. OIL TANK", "B22(R) AY", "B22-P(R) AY", "B22(R) UK", "B22-P(R)
UK", "B22(R) EP", "B22-P(R) EP"
2,46,, "GREASING", "B22(R) AY", "B22-P(R) AY", "B22(R) UK", "B22-P(R) UK", "B22(R)
EP", "B22-P(R) EP"
2,47,, "HYD. OIL PIPING(TANK-VALVE)", "B22(R) AY", "B22-P(R) AY", "B22(R)
UK", "B22-P(R) UK", "B22(R) EP", "B22-P(R) EP"
2,48,, "HYD. OIL PIPING(VALVE-SWIVEL)", "B22(R) AY", "B22-P(R) AY", "B22(R)
UK", "B22-P(R) UK", "B22(R) EP", "B22-P(R) EP"
2,49,, "HYD. OIL PIPING(TRAVEL)", "B22(R) AY", "B22-P(R) AY", "B22(R) UK", "B22-
P(R) UK", "B22(R) EP", "B22-P(R) EP"
2,50,, "HYD.OIL PIPING(WORK EQUIPMENT)", "B22(R) AY", "B22-P(R) AY", "B22(R)
UK", "B22-P(R) UK", "B22(R) EP", "B22-P(R) EP"
2,51,, "3RD VALVE CONTROL", "B22(R) AY", "B22-P(R) AY", "B22(R) UK", "B22-P(R)
UK", "B22(R) EP", "B22-P(R) EP"
2,52,, "3RD VALVE PIPING", "B22(R) AY", "B22-P(R) AY", "B22(R) UK", "B22-P(R)
UK", "B22(R) EP", "B22-P(R) EP"
2,53,, "BOOM & BUCKET", "B22(R) AY", "B22-P(R) AY", "B22(R) UK", "B22-P(R)
UK", "B22(R) EP", "B22-P(R) EP"
2,54,, "BLADE(850)", "B22(R) AY", "B22-P(R) AY", "B22(R) UK", "B22-P(R) UK", "B22(R)
EP", "B22-P(R) EP"