

P R E F A C E

1. This parts catalog is the 1st edition of Yanmar crawler backhoe B22 - 2B for PANAMA.

Pub. No. : 000Y00S3870

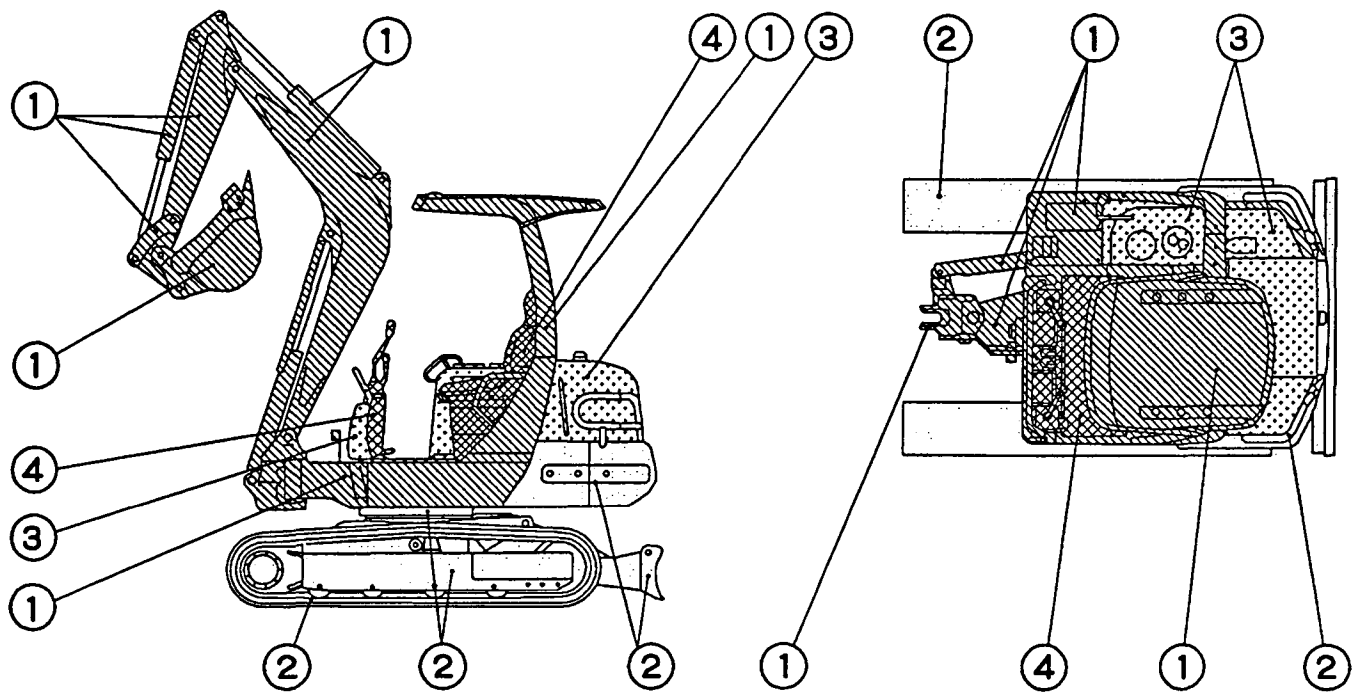
Published : May, 1999


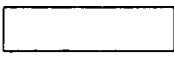
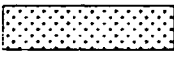

2. Model name

SECTION	Column	Model name	Manufactured	M/#
I (Vehicle)	(A)	B22 - 2B	1999/3 ~	60633 ~
II (Engine)	(A)	3TNE78A - B1		

3. Your understanding is asking that this parts catalog is not a technical data manual setting forth as servicing procedures, This parts catalog is using simplified illustration. Be sure to use Yanmar Genuine Parts in your maintenance servicing of Yanmar products. Be careful not to use the simple parts available in the market ; otherwise their use in repairing causes such as an early breakage, for instance.

1 [PAINTED COLOR LIST]



PART	DESCRIPTION	PAINTED COLOR MUNSEL No.	COLOR CODE
①		YANMAR PEACOCK GREEN 3.85BG5.31/9.15	97
②		YANMAR NEW DEEP GREEN 0.6B2.2/4.2	88
③		YANMAR CITRUS GREEN 4.84GY8.42/6.99	96
④		YANMAR DARK OLIVE GRAY 5.39Y2.92/0.78	72

2 [PAINT PART No.]

PART	PAINTED COLOR	PAINT PART No.		
		16QCAN	4QCAN	SPRAY
①	YANMAR PEACOCK GREEN	981101-09597	977620-40970	977620-30971
②	YANMAR NEW DEEP GREEN	981101-09588	977620-40880	977620-30881
③	YANMAR CITRUS GREEN	981101-09599	977620-40990	977620-30991
④	YANMAR DARK OLIVE GRAY	-----	977620-40720	TOR-90460003

3 [EXPRESSION OF PAINTED PARTS]

PART NO.	PART NAME	PAINTED COLOR
172141-82103 -4	ARM, 1080 (GREEN) (85)	YANMAR PEACOCK GREEN

(NOTE) () at the end of part name shows Pa nt Color.

4 [COLOR OF MAIN PARTS]

PART	PAINTED COLOR	MAIN PARTS
①	YANMAR PEACOCK GREEN	BOOM ARM BOOM CYLINDER ARM CYLINDER BUCKET CYLINDER BUCKET PIN CABIN TURNING FRAME CYLINDER COVER CANOPY POLE WORK LAMP COVER
②	YANMAR NEW DEEP GREEN	IRON CRAWLER BLADE BLADE CYLINDER SWING CYLINDER CABIN DOOR COUNTER WEIGHT ENGINE SURROUNDINGS TRAVEL CONNECTION
③	YANMAR CITRUS GREEN	BONNET FUEL TANK HYD. OIL TANK
④	YANMAR DARK OLIVE GRAY	OPTIONAL PART

PICTURESQUE INDEX (1) ··· MAIN PARTS

LABEL--FIG. 1
TOOL--FIG. 2

INLET HOSE & EXHAUST PIPE--FIG. 3
ENGINE MOUNT--FIG. 5
RADIATOR & MOUNT--FIG. 6
FUEL TANK & FUEL PIPE--FIG. 7
BONNET--FIG. 22
HYD.OIL PUMP & JOINT--FIG. 24

ACCELERATOR--FIG. 4
REMOTE CONTROL VALVE--FIG. 38

CANOPY--FIG. 23
ELECTRIC PART--FIG. 9

SEAT & SEAT MOUNT--FIG. 21

HYD.OIL TANK--FIG. 39

HYD.OIL PIPING--FIG. 40 ~ 45

WORK LAMP--FIG. 10
BOOM & ARM--FIG. 49

BOOM CYLINDER--FIG. 25

ARM CYLINDER--FIG. 26

SWING CYLINDER--FIG. 28

TRAVEL MOTOR--FIG. 30

STEP--FIG. 20

ROLLER & ADJUST--FIG. 11
CRAWLER--FIG. 12

BUCKET PIN--FIG. 50

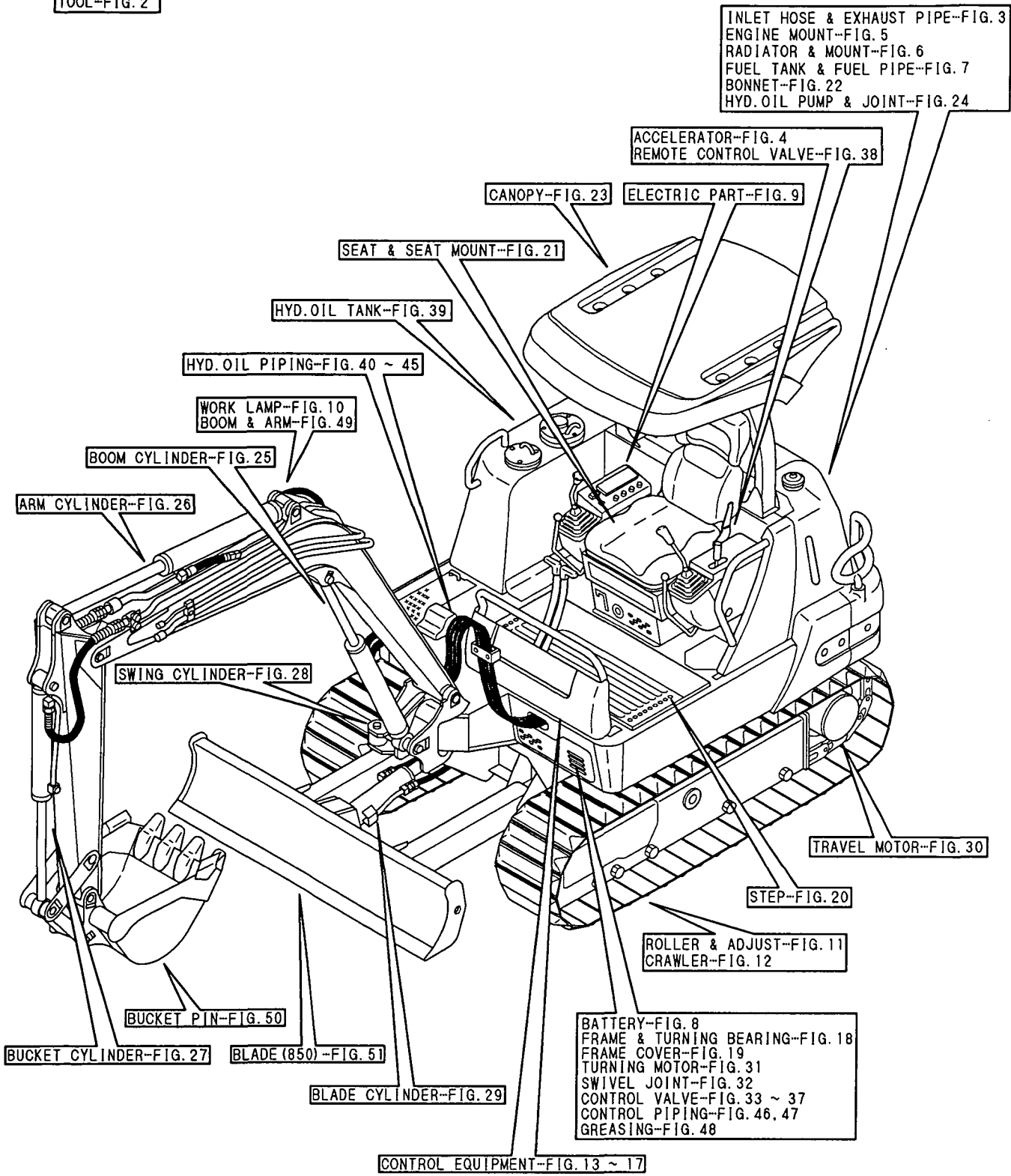
BATTERY--FIG. 8
FRAME & TURNING BEARING--FIG. 18
FRAME COVER--FIG. 19
TURNING MOTOR--FIG. 31
SWIVEL JOINT--FIG. 32
CONTROL VALVE--FIG. 33 ~ 37
CONTROL PIPING--FIG. 46, 47
GREASING--FIG. 48

BUCKET CYLINDER--FIG. 27

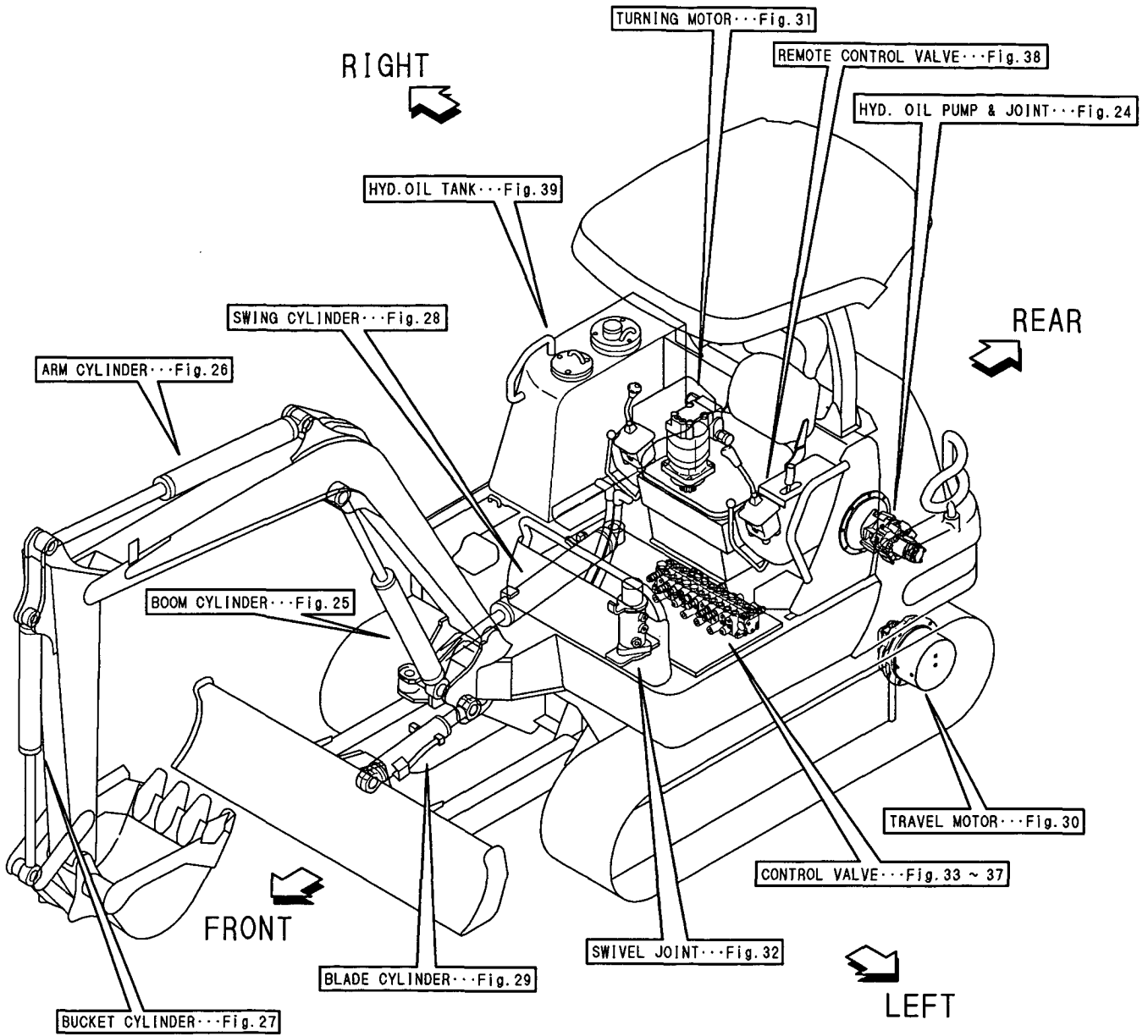
BLADE (850)--FIG. 51

BLADE CYLINDER--FIG. 29

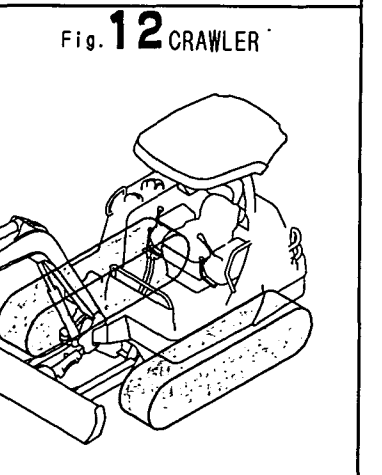
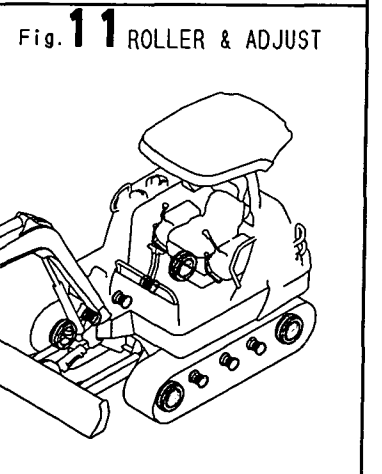
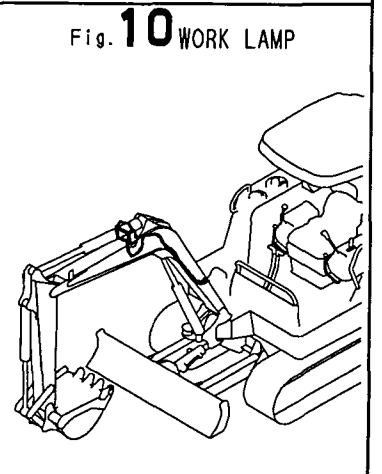
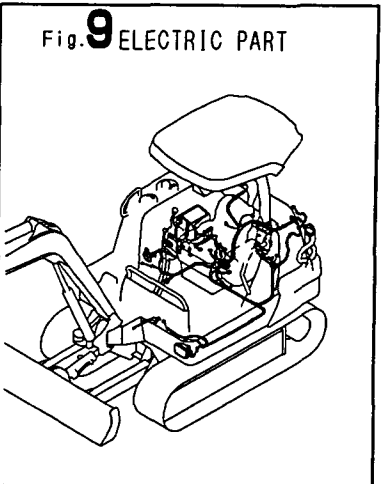
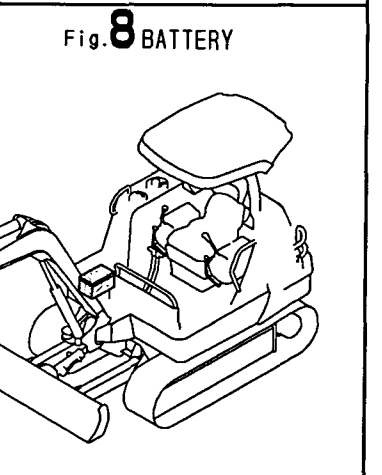
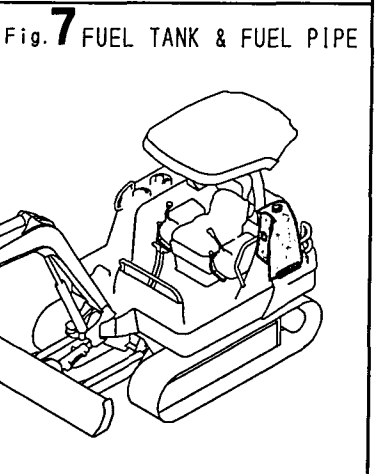
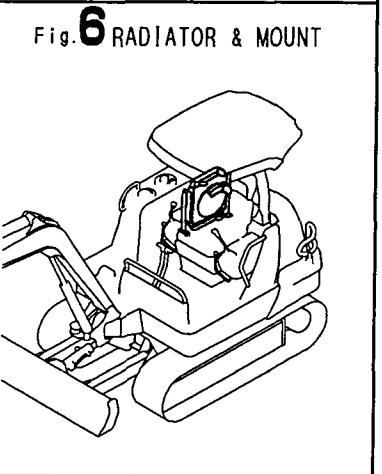
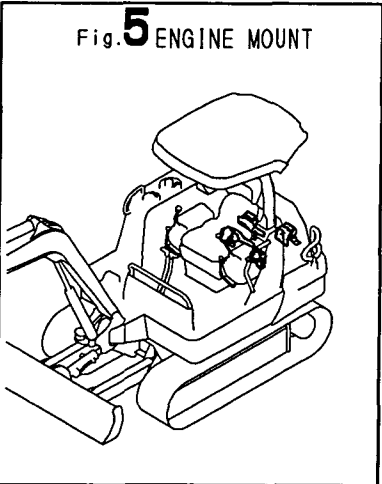
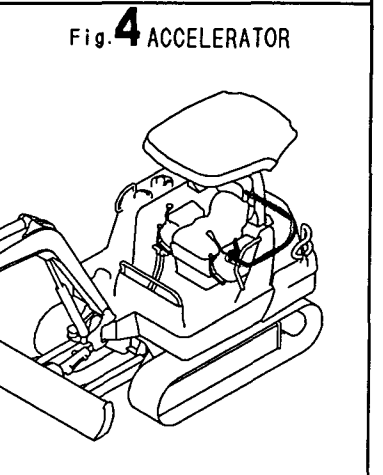
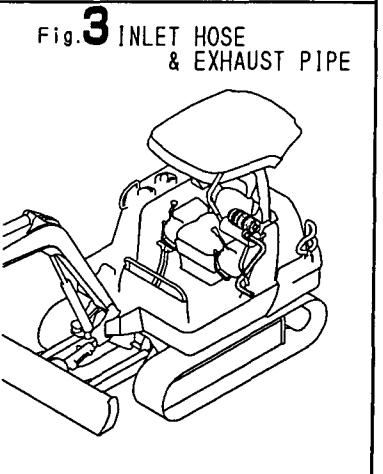
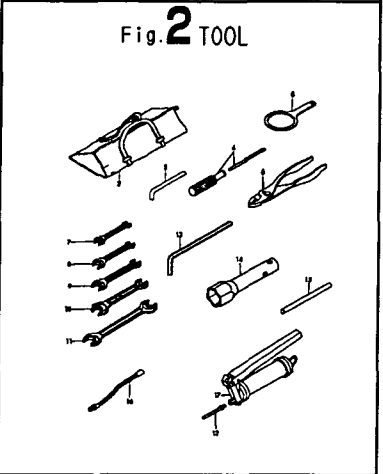
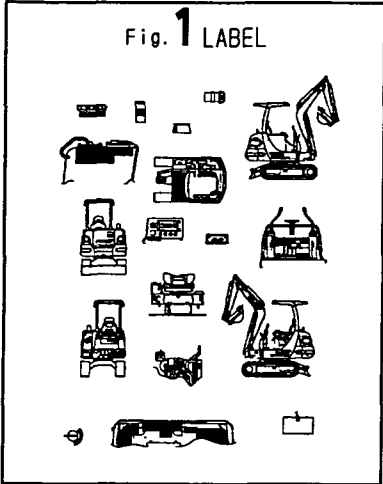
CONTROL EQUIPMENT--FIG. 13 ~ 17



PICTURESQUE INDEX (2) ···HYDRAULIC SECTION



PICTURESQUE INDEX FIGURE



PICTURESQUE INDEX.....FIGURE

Fig. 13 CONTROL EQUIPMENT
(LEVER STAND
& OPERATION LEVER)

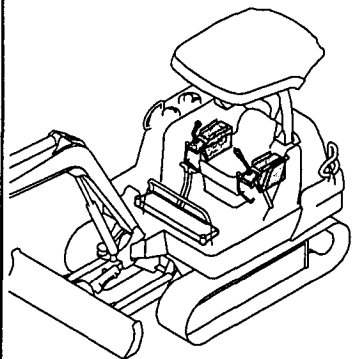


Fig. 17 CONTROL EQUIPMENT
(CUT OFF LEVER)

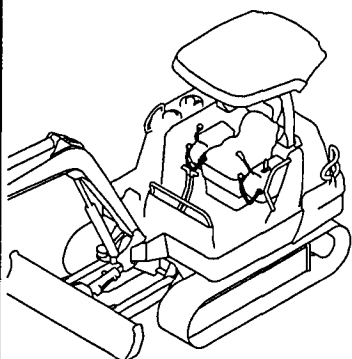


Fig. 21 SEAT & SEAT MOUNT

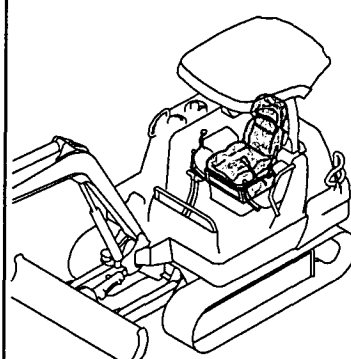


Fig. 14 CONTROL EQUIPMENT
(TRAVEL)

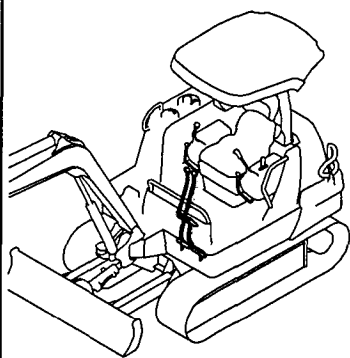


Fig. 18 FRAME
& TURNING BEARING

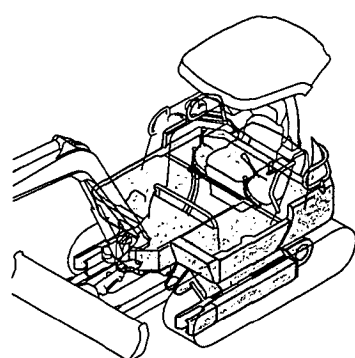


Fig. 22 BONNET

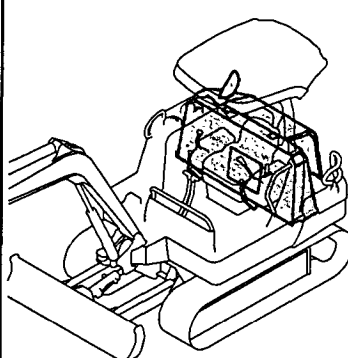


Fig. 15 CONTROL EQUIPMENT
(SWING)

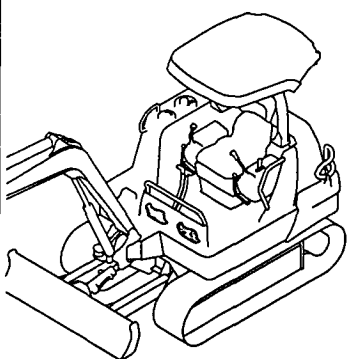


Fig. 19 FRAME COVER

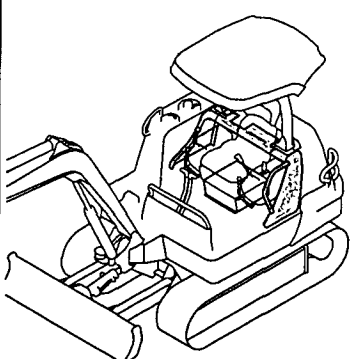


Fig. 23 CANOPY

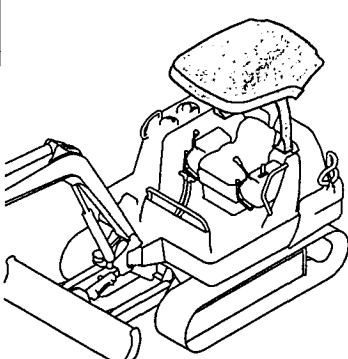


Fig. 16 CONTROL EQUIPMENT
(BLADE)

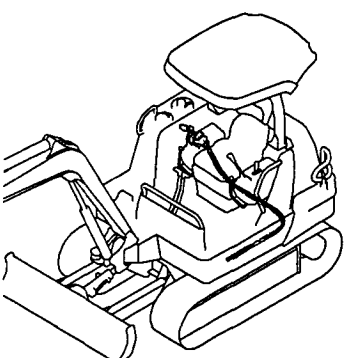


Fig. 20 STEP

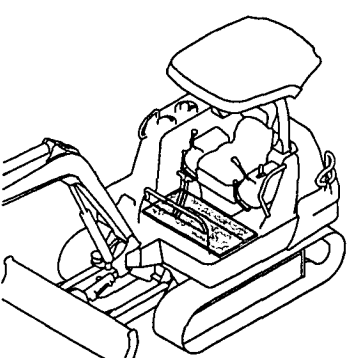
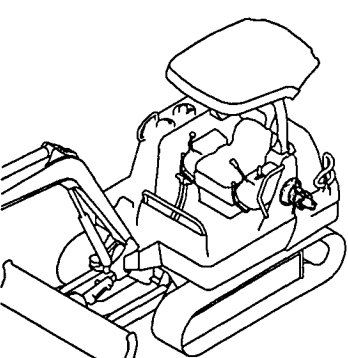
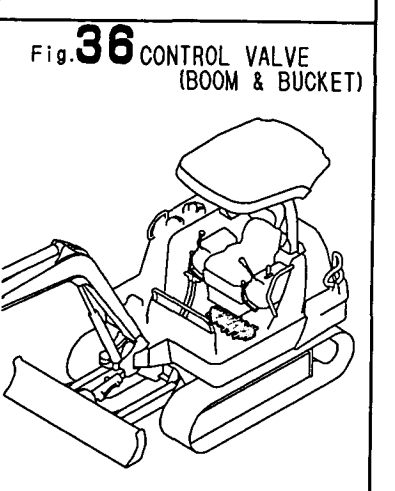
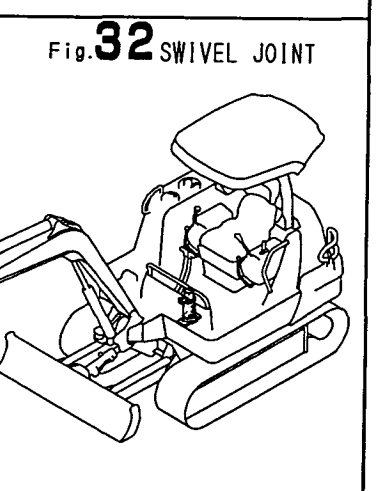
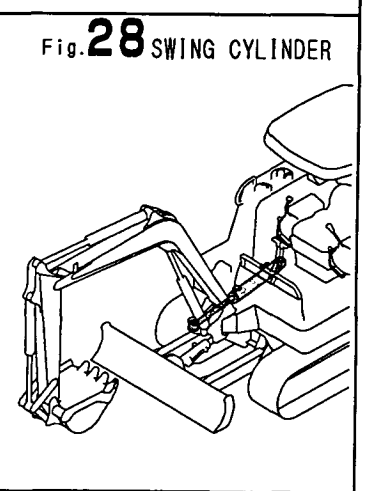
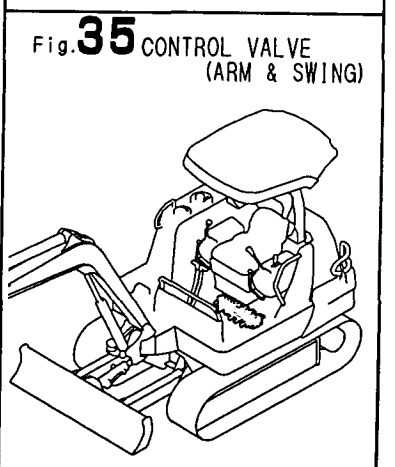
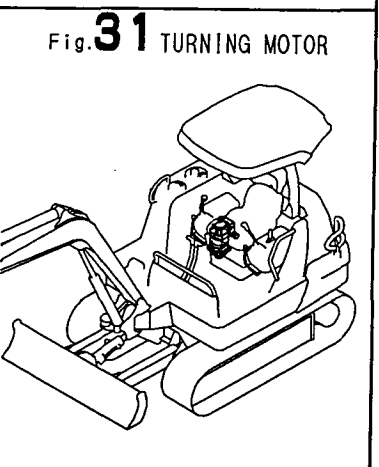
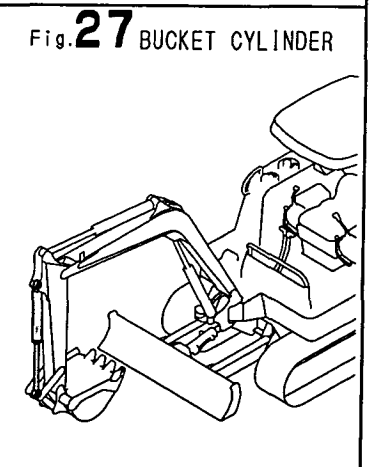
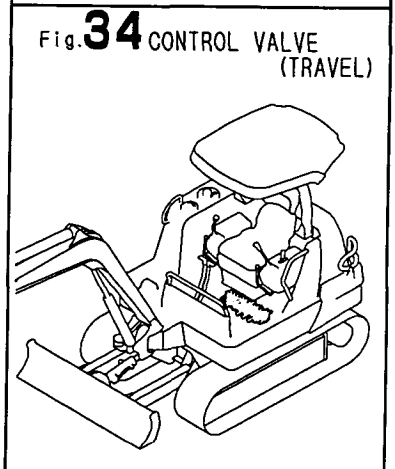
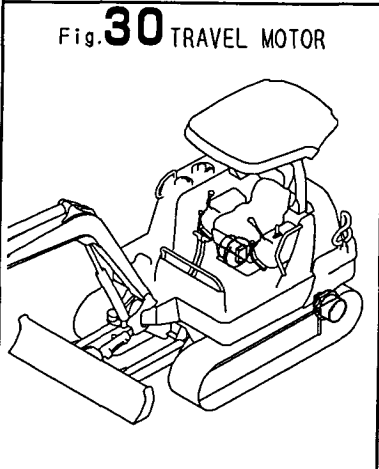
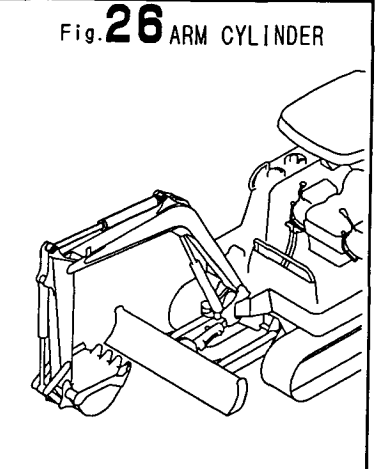
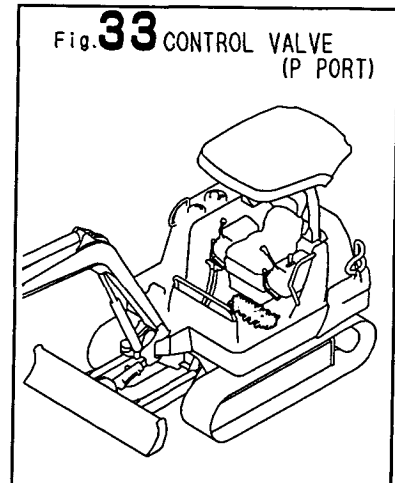
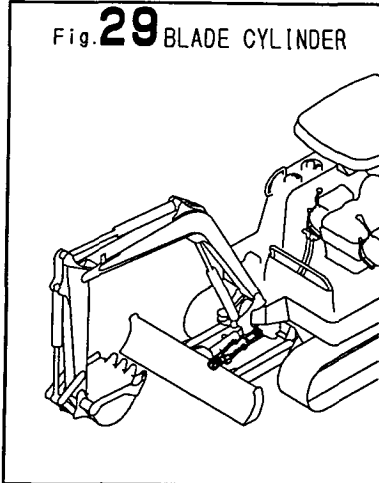
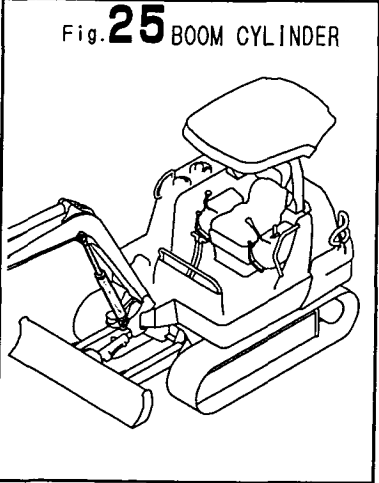


Fig. 24 HYD. OIL PUMP & JOINT



PICTURESQUE INDEX.....FIGURE



PICTURESQUE INDEX.....FIGURE

Fig. 37 CONTROL VALVE (TURNING & BLADE)

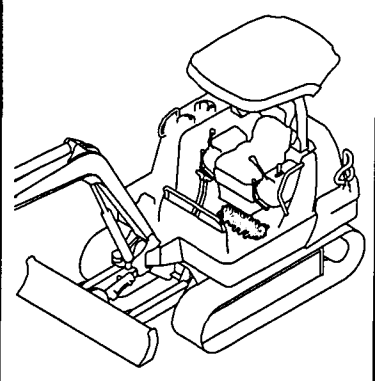


Fig. 41 HYD. OIL PIPING (VALVE~MOTOR~BOOM)

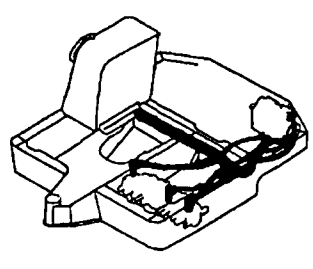


Fig. 45 HYD. OIL PIPING (BOOM)

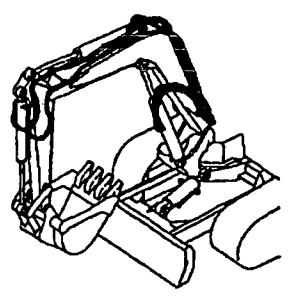


Fig. 38 REMOTE CONTROL VALVE

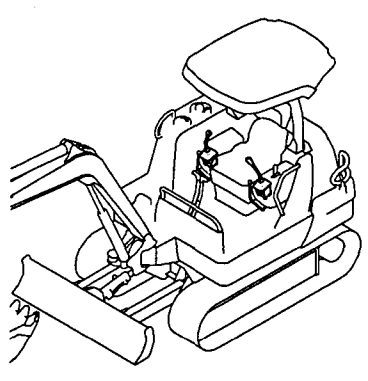


Fig. 42 HYD. OIL PIPING (VALVE~SWIVEL~SWING)

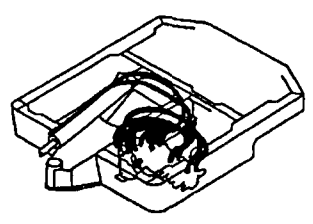


Fig. 46 CONTROL PIPING (PUMP~REMO.~CON. V.~RETURN)

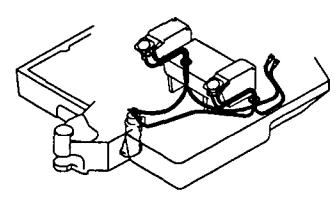


Fig. 39 HYD. OIL TANK

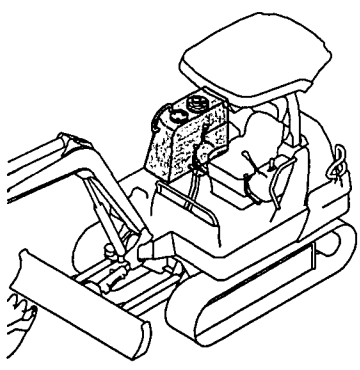


Fig. 43 HYD. OIL PIPING (RETURN)

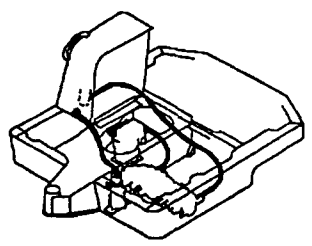


Fig. 47 CONTROL PIPING (REMO.~CON. V.~CONTROL V.)

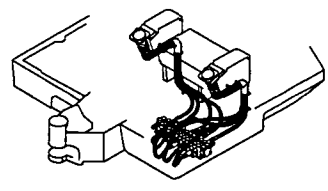


Fig. 40 HYD. OIL PIPING (TANK~PUMP~VALVE)

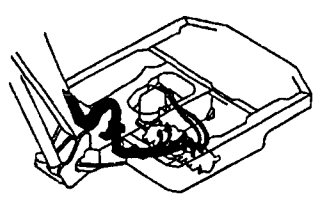


Fig. 44 HYD. OIL PIPING (TRAVEL)

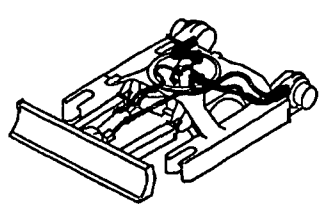
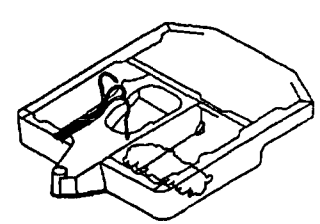


Fig. 48 GREASING



PICTURESQUE INDEX.....FIGURE

Fig. **49** BOOM & ARM

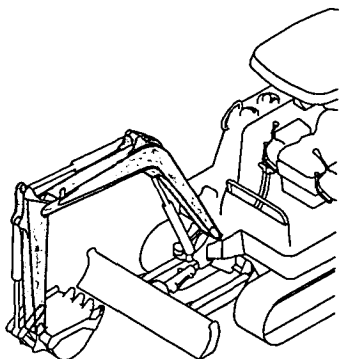


Fig. **50** BUCKET PIN

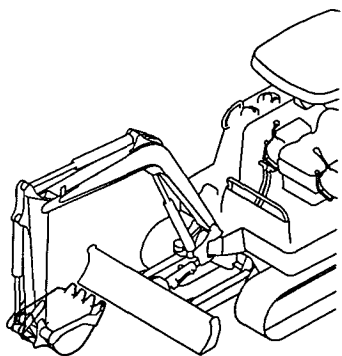
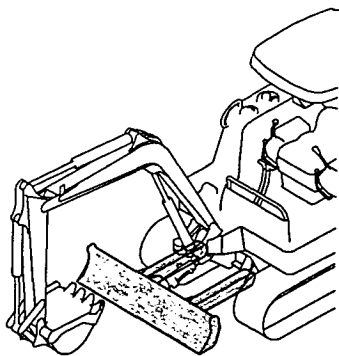
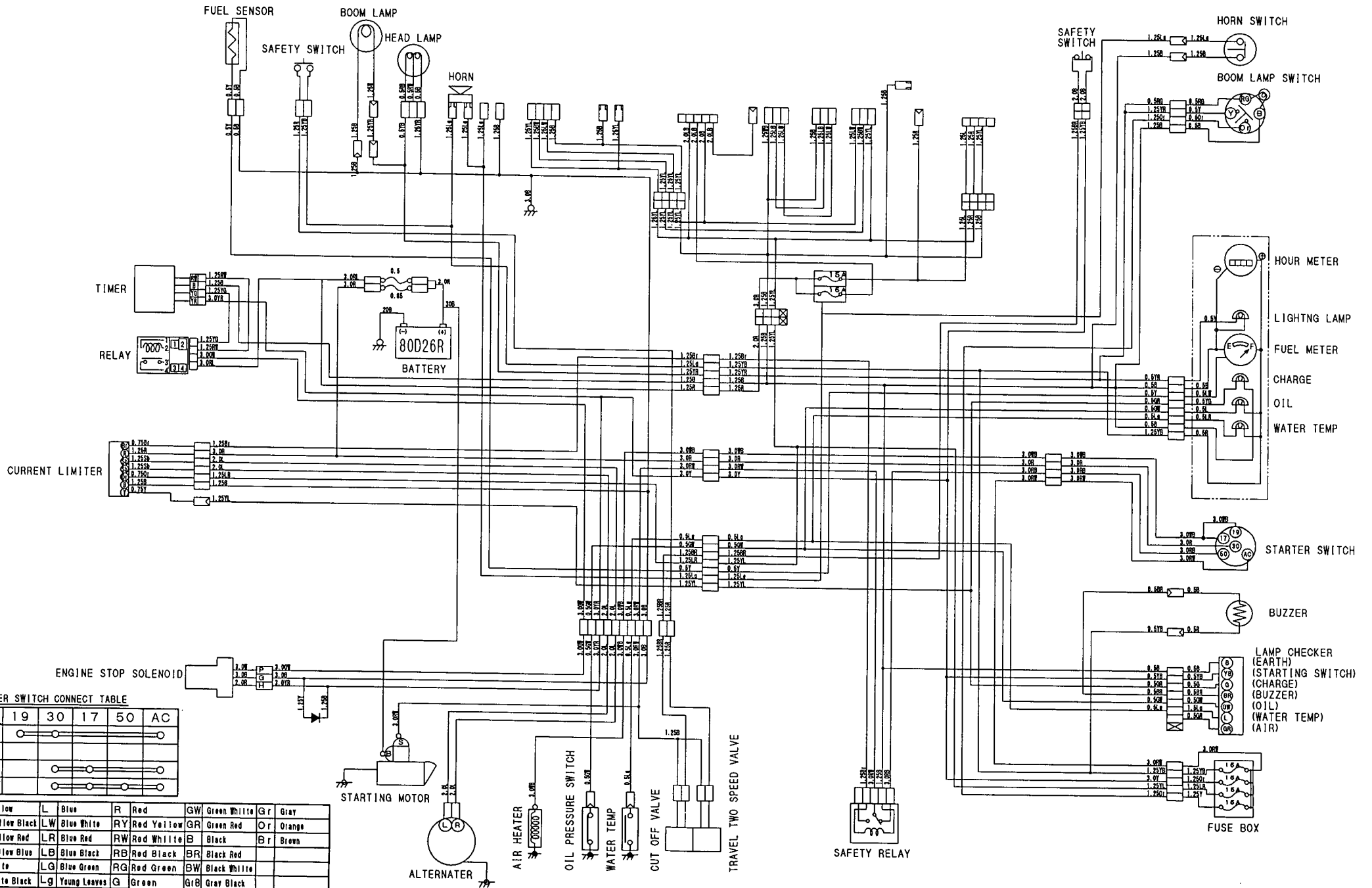


Fig. **51** BLADE (850)



WIRING DIAGRAM



STARTER SWITCH CONNECT TABLE

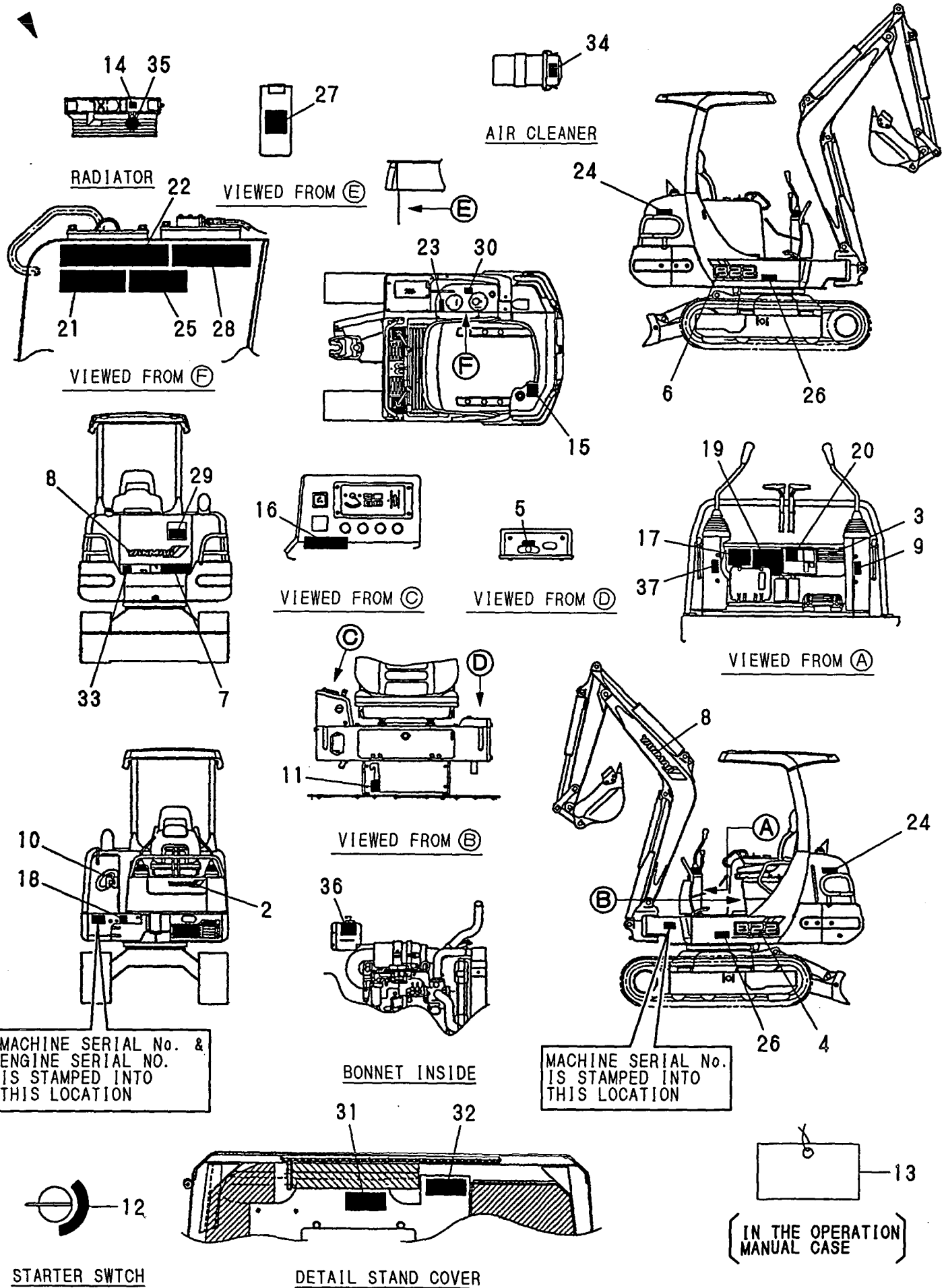
	19	30	17	50	AC
HEAT	○	○	○	○	○
OFF					
ON	○	○	○	○	○
START	○	○	○	○	○

Y	Yellow	L	Blue	R	Red	GW	Green White	Gr	Gray
YB	Yellow Black	LW	Blue White	RY	Red Yellow	GR	Green Red	OR	Orange
YR	Yellow Red	LR	Blue Red	RW	Red White	B	Black	BR	Brown
YL	Yellow Blue	LB	Blue Black	RB	Red Black	BR	Black Red		
W	White	LG	Blue Green	RG	Red Green	BW	Black White		
WB	White Black	Lg	Young Leaves	G	Green	GrB	Gray Black		

1,1,,772434-03250,, "LABEL ASSY(CANOPY",1,,,,,,,,,,,,,
2,2,,172165-03141,, "LABEL,FRONT",1,,,,,,,,,,,,,
3,2,,172434-03110,, LABEL,1,,,,,,,,,,,,,
4,2,,172171-03151,, LABEL,1,,,,,,,,,,,,,
5,2,,172519-03150,, "LABEL, ACCEL",1,,,,,,,,,,,,,
6,2,,172171-03161,, LABEL,1,,,,,,,,,,,,,
7,2,,172168-03211,, LABEL,1,,,,,,,,,,,,,
8,2,,172171-03261,, "LABEL,BOOM",2,,,,,,,,,,,,,
9,2,,172183-03280,, "LABEL,LOCK",2,,,,,,,,,,,,,
10,2,,172164-03180,, "MARK,NO.1",1,,,,,,,,,,,,,
11,2,,172137-03301,, "LABEL, TURNING LOCK",1,,,,,,,,,,,,,
12,2,,172141-03360,, "LABEL, START SWITCH",1,,,,,,,,,,,,,
13,2,,172171-03400,, PLATE,1,,,,,,,,,,,,,
14,2,,124764-44920,, "LABEL, ANTI-FREEZING",1,,,,,,,,,,,,,
15,2,,172183-03450,, "LABEL,FUEL",1,,,,,,,,,,,,,
16,2,,172141-03440,, LABEL,1,,,,,,,,,,,,,
17,2,,172165-03500,, "LABEL,GREASE FEED",1,,,,,,,,,,,,,
18,2,,172171-03510,, "LABEL, GREASE",1,,,,,,,,,,,,,
19,2,,172171-03520,, "LABEL, OIL/WATER",1,,,,,,,,,,,,,
20,2,,172151-03540,, "LABEL,PATTERN A",1,,,,,,,,,,,,,
21,2,,172171-03700,, LABEL,1,,,,,,,,,,,,,
22,2,,172171-03710,, LABEL,1,,,,,,,,,,,,,
23,2,,172171-03720,, LABEL,1,,,,,,,,,,,,,
24,2,,172171-03730,, LABEL,2,,,,,,,,,,,,,
25,2,,172171-03740,, LABEL,1,,,,,,,,,,,,,
26,2,,172171-03750,, LABEL,2,,,,,,,,,,,,,
27,2,,172171-03760,, LABEL,1,,,,,,,,,,,,,
28,2,,172171-03770,, LABEL,1,,,,,,,,,,,,,
29,2,,172171-03780,, LABEL,1,,,,,,,,,,,,,
30,2,,172155-03790,, "LABEL,RE-FUELING",1,,,,,,,,,,,,,
31,2,,172171-03790,, "LABEL, RADIATOR",1,,,,,,,,,,,,,
32,2,,172171-03800,, LABEL,1,,,,,,,,,,,,,
33,2,,172171-03810,, LABEL,1,,,,,,,,,,,,,
34,2,,172125-03950,, "LABEL, AIR CLEANER",1,,,,,,,,,,,,,
35,2,,121120-44800,, "LABEL, RADIATOR",1,,,,,,,,,,,,,
36,2,,124764-44810,, "LABEL, SUB-TANK",1,,,,,,,,,,,,,

Fig. 1 LABEL

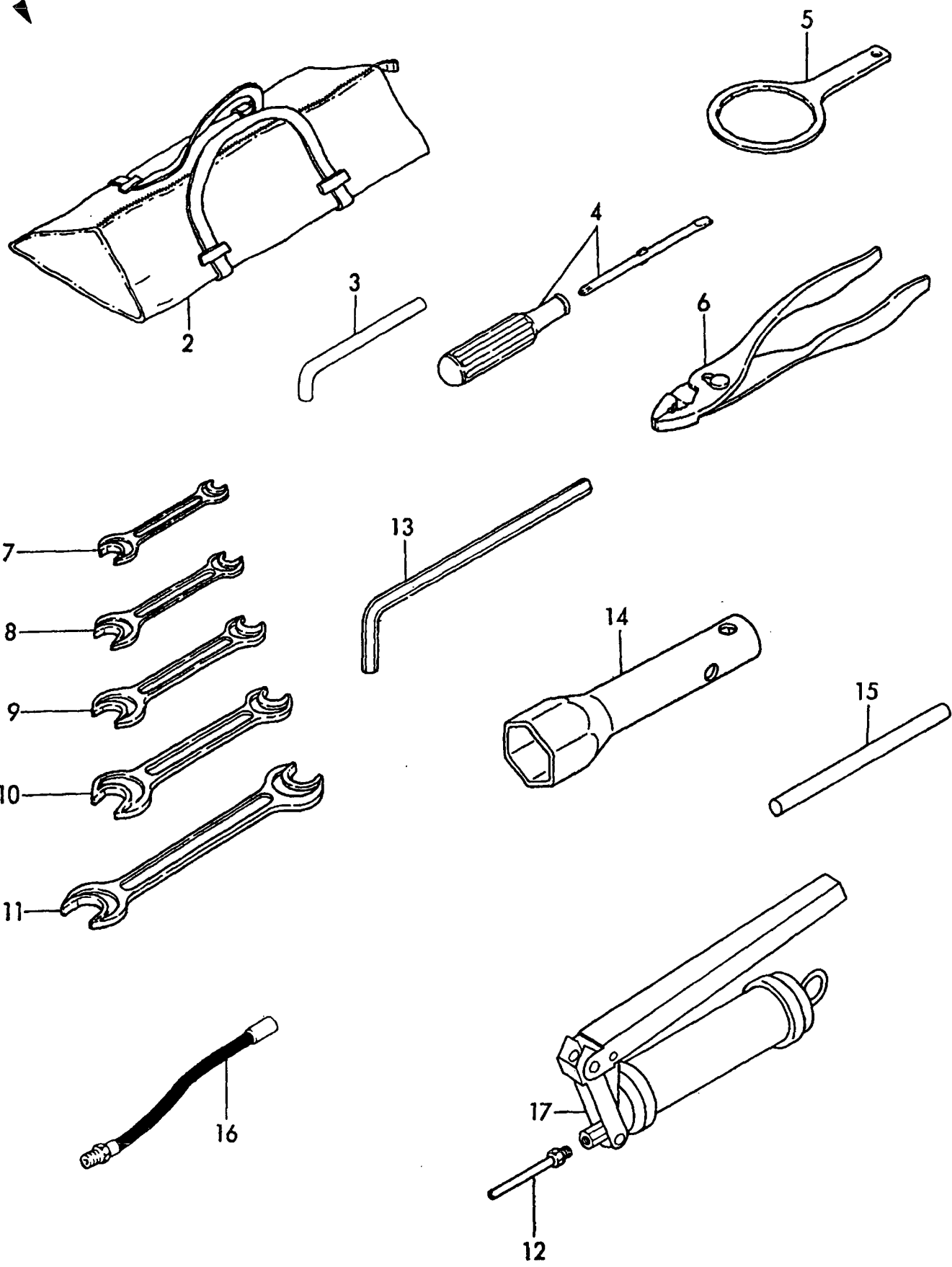
1 inc. 2 ~ 36



1,1,,772141-05100,, "TOOL SET",1,,,,,,,,,,,,,,,,,,,,,
2,2,,933110-90000,, "BAG, TOOL",1,,,,,,,,,,,,,,,,,,,,,
3,2,,172614-38300,, "PIN 5X45, LOCK",4,,,,,,,,,,,,,,,,,,,,,
4,2,,104200-92350,, "DRIVER, SCREW",1,,,,,,,,,,,,,,,,,,,,,
5,2,,119640-92750,, "WRENCH, FILTER",1,,,,,,,,,,,,,,,,,,,,,
6,2,,933171-00470,, "PLIERS 200",1,,,,,,,,,,,,,,,,,,,,,
7,2,,28110-080100,, "WRENCH 8X10",1,,,,,,,,,,,,,,,,,,,,,
8,2,,28110-120140,, "WRENCH 12X14",2,,,,,,,,,,,,,,,,,,,,,
9,2,,28110-170190,, "WRENCH 17X19",1,,,,,,,,,,,,,,,,,,,,,
10,2,,28110-220240,, "WRENCH 22X24",1,,,,,,,,,,,,,,,,,,,,,
11,2,,28110-270300,, "WRENCH 27X30",1,,,,,,,,,,,,,,,,,,,,,
12,2,,172122-05101,, "NOZZLE",1,,,,,,,,,,,,,,,,,,,,,
13,2,,28150-080000,, "BAR WRENCH 8",1,,,,,,,,,,,,,,,,,,,,,
14,2,,28227-271400,, "BOX WRENCH 27X140",1,,,,,,,,,,,,,,,,,,,,,
15,2,,28230-120250,, "TURNING HANDLE",1,,,,,,,,,,,,,,,,,,,,,
16,2,,933110-09701,, "HOSE, GREASE",1,,,,,,,,,,,,,,,,,,,,,
17,2,,933110-09801,, "GUN 800, GREASE",1,,,,,,,,,,,,,,,,,,,,,

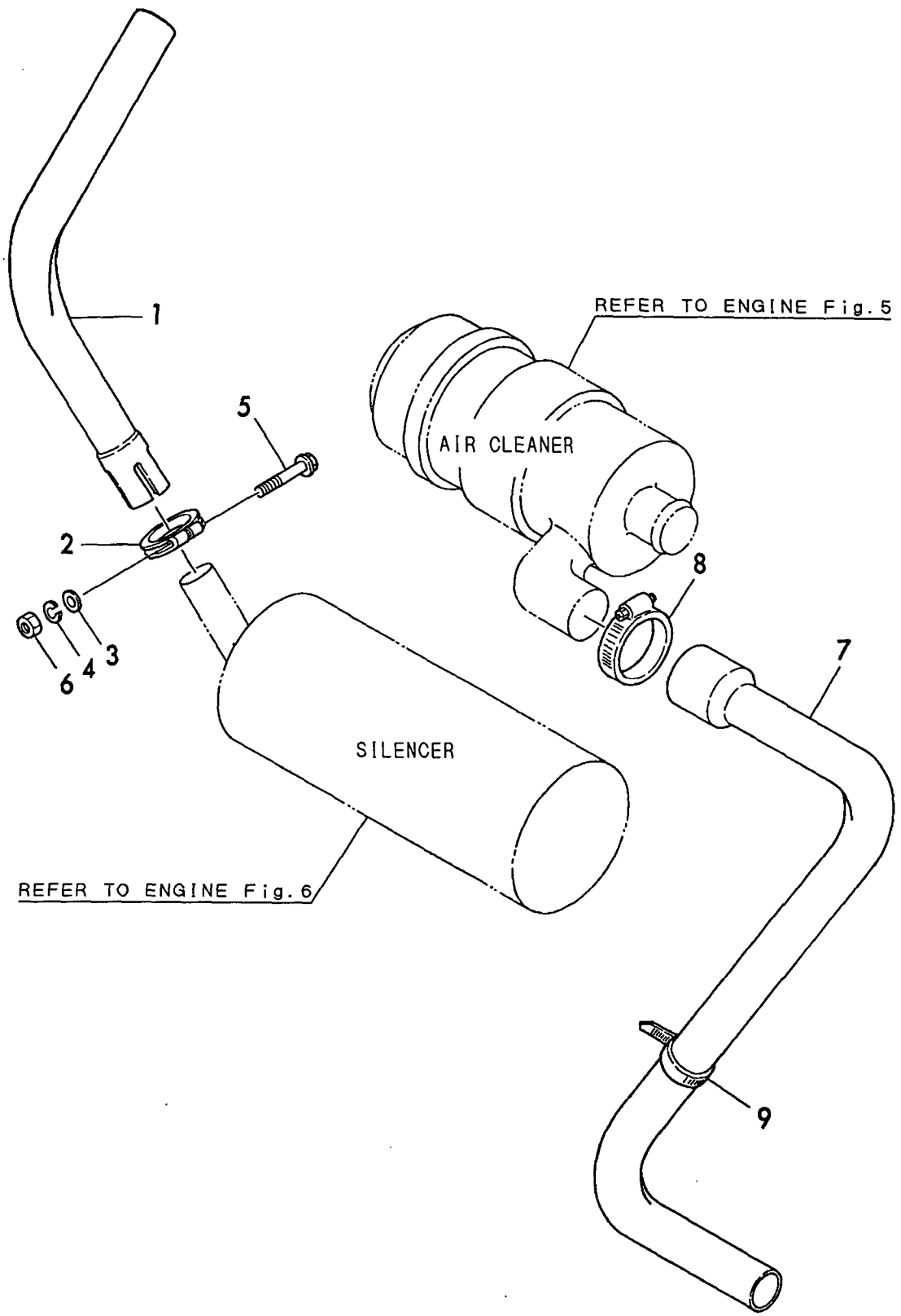
Fig. 2 TOOL

1 inc. 2 ~ 17



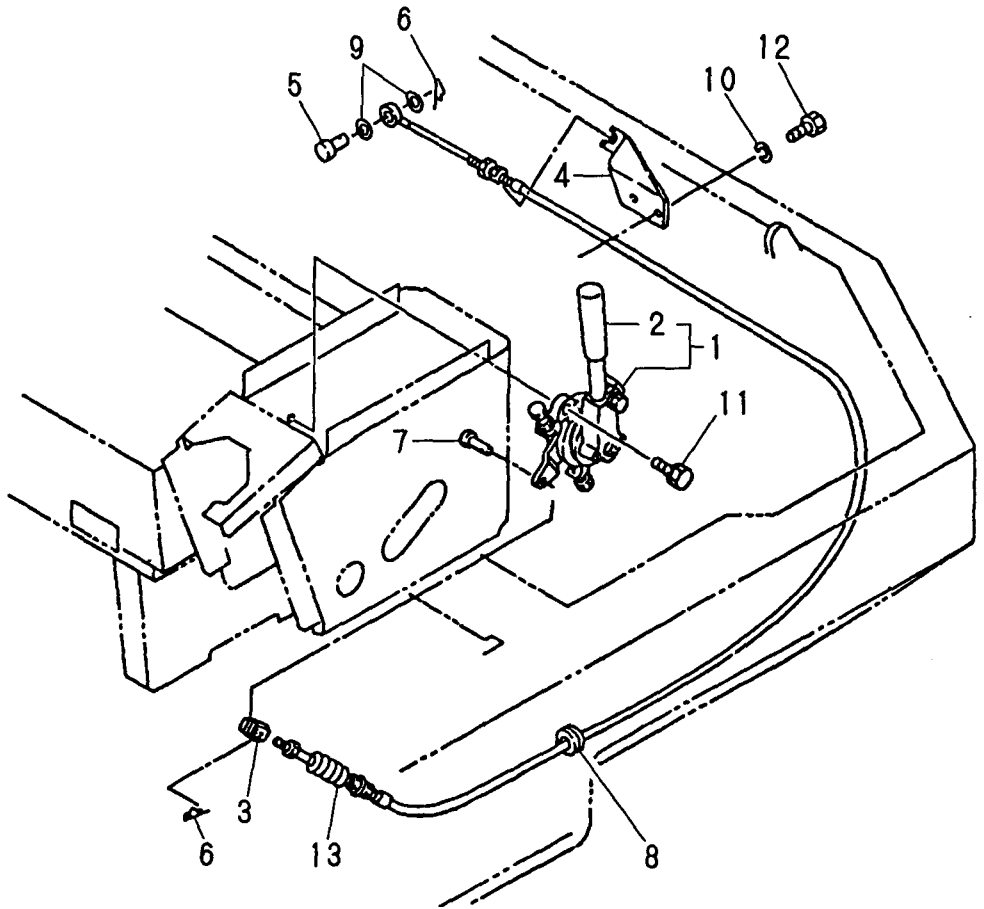
1,1,,172171-11300,, "PIPE TAIL",1,,,,,,,,,,,,,,,,,,,,,
2,1,,119831-13580,, CLAMP,1,,,,,,,,,,,,,,,,,,,,,
3,1,,22117-080000,, "WASHER 8",1,,,,,,,,,,,,,,,,,,,,,
4,1,,22217-080000,, "SPRING WASHER 8",1,,,,,,,,,,,,,,,,,,,,,
5,1,,26106-080552,, "BOLT M 8X 55 PLATED",1,,,,,,,,,,,,,,,,,,,,,
6,1,,26706-080002,, "NUT M 8",1,,,,,,,,,,,,,,,,,,,,,
7,1,,172171-11500,, "HOSE,AIR CLEANER",1,,,,,,,,,,,,,,,,,,,,,
8,1,,23000-070000,, "CLAMP 70",1,,,,,,,,,,,,,,,,,,,,,
9,1,,194250-51660,, "BAND 250",1,,,,,,,,,,,,,,,,,,,,,

Fig. 3 INLET HOSE & EXHAUST PIPE



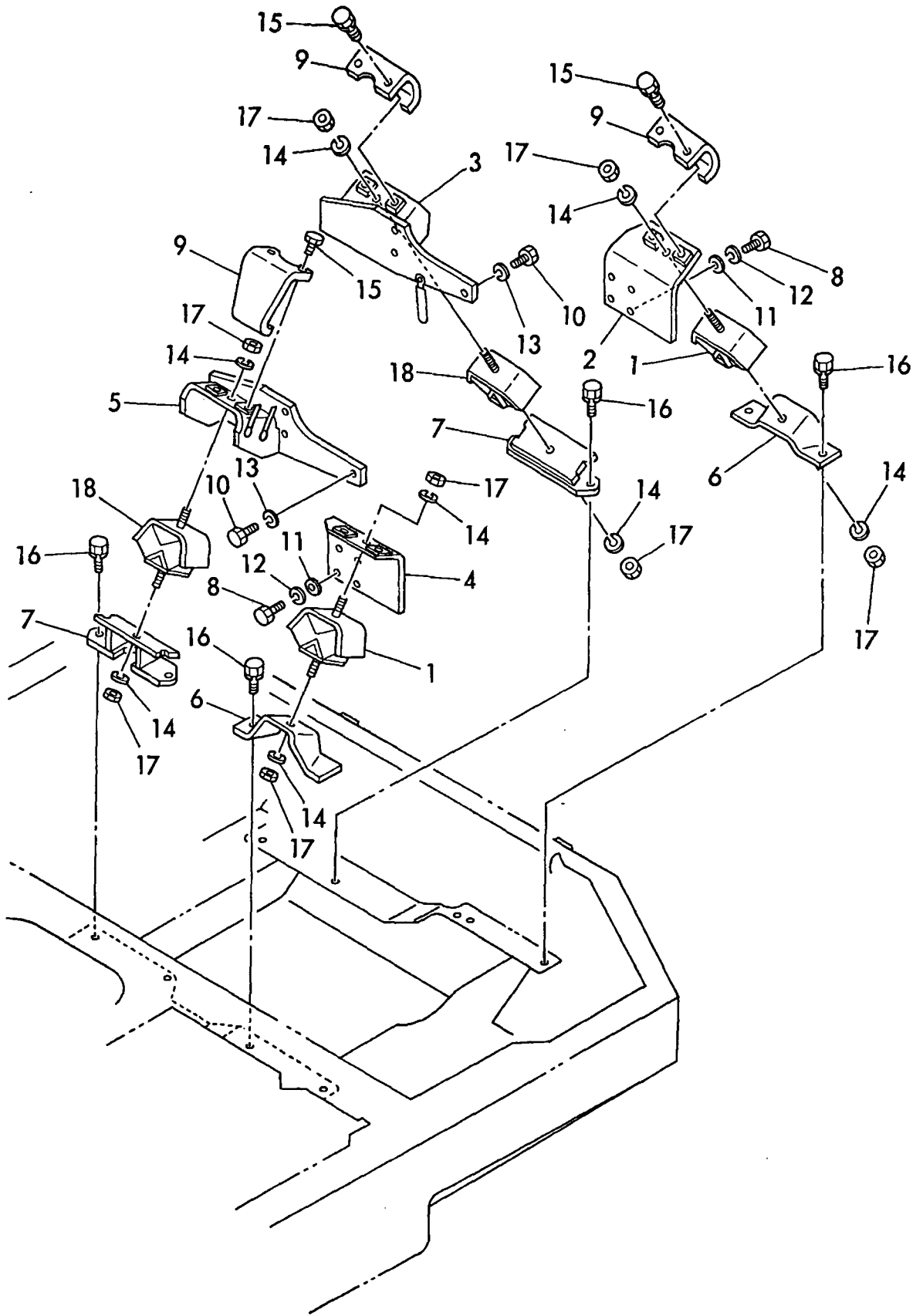
1,1,,172165-12101,, "LEVER ASSY,ACCEL.",1,,,,,,,,,,,,,,,,,,,,,
2,2,,172165-12140,,GRIP(RED,1,,,,,,,,,,,,,,,,,,,,,
3,1,,172137-12270,, "JOINT, CABLE",1,,,,,,,,,,,,,,,,,,,,,
4,1,,172141-12280,, "CLAMP, ACCEL WIRE",1,,,,,,,,,,,,,,,,,,,,,
5,1,,172113-12521,, "PIN, CABLE",1,,,,,,,,,,,,,,,,,,,,,
6,1,,1C6281-52310,, "PIN 6,COME-OFF SNAP",2,,,,,,,,,,,,,,,,,,,,,
7,1,,1A1040-56900,, "PIN 6X 17",1,,,,,,,,,,,,,,,,,,,,,
8,1,,1A1380-58050,, "GROMMET 16X20X4.5",1,,,,,,,,,,,,,,,,,,,,,
9,1,,22137-060000,, "WASHER 6, POLISHED",2,,,,,,,,,,,,,,,,,,,,,
10,1,,22217-080000,, "SPRING WASHER 8",2,,,,,,,,,,,,,,,,,,,,,
11,1,,26013-100302,, "BOLT M10X 30",2,,,,,,,,,,,,,,,,,,,,,
12,1,,26116-080162,, "BOLT 8X16",2,,,,,,,,,,,,,,,,,,,,,
13,1,,172168-12100,, "CABLE F,ACCELERATOR",1,,,,,,,,,,,,,,,,,,,,,

Fig. 4 ACCELERATOR



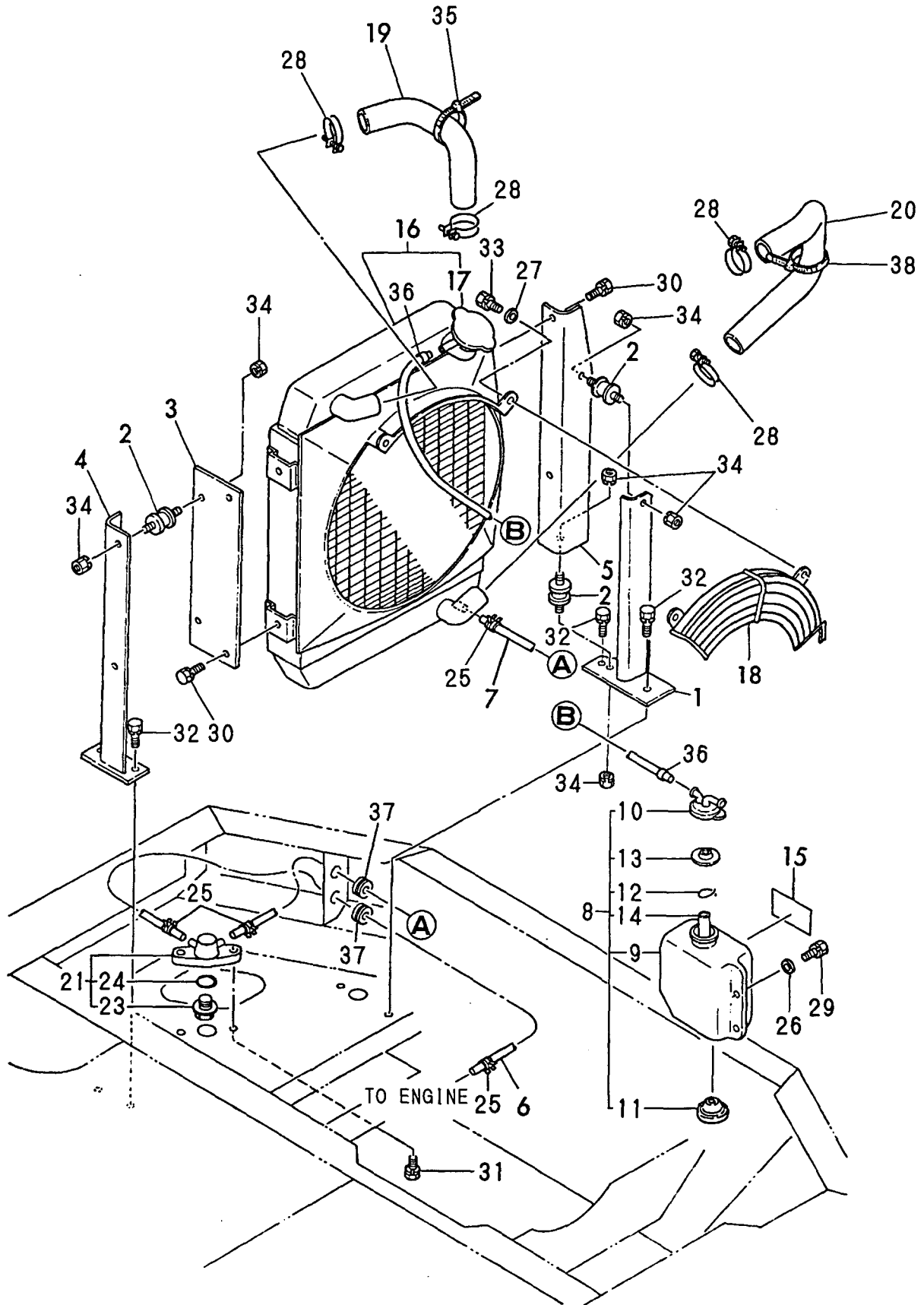
1,1,,196420-02310,, "ABSORBER, SHOCK",2,,,,,,,,,,,,,,,,,,,,,
2,1,,172146-13101,, BRACKET,1,,,,,,,,,,,,,,,,,,,,,
3,1,,172168-13101,, "MOUNT(R), ENGINE",1,,,,,,,,,,,,,,,,,,,,,
4,1,,172146-13111,, BRACKET,1,,,,,,,,,,,,,,,,,,,,,
5,1,,172168-13120,, "MOUNT(L), ENGINE",1,,,,,,,,,,,,,,,,,,,,,
6,1,,172168-13150,, BRACHET,2,,,,,,,,,,,,,,,,,,,,,
7,1,,172168-13181,, "BRACKET COMP.,ENGINE",2,,,,,,,,,,,,,,,,,,,,,
8,1,,172162-13200,, "BOLT M10X30",8,,,,,,,,,,,,,,,,,,,,,
9,1,,172124-13230,, "STOPPER, ENGINE",3,,,,,,,,,,,,,,,,,,,,,
10,1,,172131-37170,, "BOLT M12X 30",6,,,,,,,,,,,,,,,,,,,,,
11,1,,172137-46040,, "SEAT, SPRING",8,,,,,,,,,,,,,,,,,,,,,
12,1,,22217-100000,, "SPRING WASHER 10",8,,,,,,,,,,,,,,,,,,,,,
13,1,,22217-120000,, "SPRING WASHER",6,,,,,,,,,,,,,,,,,,,,,
14,1,,22217-120000,, "SPRING WASHER",8,,,,,,,,,,,,,,,,,,,,,
15,1,,26013-100252,, "BOLT W/WASHER M10X25",6,,,,,,,,,,,,,,,,,,,,,
16,1,,26013-120302,, "BOLT W/WASHER M12X30",8,,,,,,,,,,,,,,,,,,,,,
17,1,,26716-120002,, "NUT 12",8,,,,,,,,,,,,,,,,,,,,,
18,1,,172168-13250,, "ABSORBER,SHOCK 180",2,,,,,,,,,,,,,,,,,,,,,

Fig. 5 ENGINE MOUNT



1,1,,172171-13300,, "MOUNT(R), RADIATOR",1,,,,,,,,,,,,,
2,1,,172122-13310,, "MOUNT, RADIATOR",4,,,,,,,,,,,,,
3,1,,172171-13330,, "PLATE, RADIATOR",1,,,,,,,,,,,,,
4,1,,172171-13340,, "MOUNT L CMP,RADIATOR",1,,,,,,,,,,,,,
5,1,,172171-13410,, BRACKET,1,,,,,,,,,,,,,
6,1,,172124-14650,, "HOSE L=1100, FUEL",1,,,,,,,,,,,,,
7,1,,172171-13461,, "HOSE 7.5X13",1,,,,,,,,,,,,,
8,1,,121468-44510,, "SUB-TANK ASSY",1,,,,,,,,,,,,,
9,2,,121470-44521,, "BODY,SUB-TANK",1,,,,,,,,,,,,,
10,2,,121450-44531,, CAP,1,,,,,,,,,,,,,
11,2,,121468-44540,, "PLUG, SUB-TANK",1,,,,,,,,,,,,,
12,2,,124450-44560,, CLAMP,1,,,,,,,,,,,,,
13,2,,121470-44581,, GASKET,1,,,,,,,,,,,,,
14,2,,23065-070130,, "PIPE 7X 130",1,,,,,,,,,,,,,
15,1,,121470-44540,, "LABEL, SUB-TANK",1,,,,,,,,,,,,,
16,1,,119831-44551,, RADIATOR,1,,,,,,,,,,,,,
17,2,,124450-44590,, "CAP, RADIATOR",1,,,,,,,,,,,,,
18,1,,119831-44571,, "NET, WIRE",1,,,,,,,,,,,,,
19,1,,119831-49010,, "PIPE (A), C. WATER",1,,,,,,,,,,,,,
20,1,,119831-49020,, PIPE(B)C.WATER,1,,,,,,,,,,,,,
21,1,,121450-49110,, "COCK ASSY, 3-WAY",1,,,,,,,,,,,,,
23,2,,121250-49121,, PLUG,1,,,,,,,,,,,,,
24,2,,24311-000160,, "O-RING 1A P-16.0",1,,,,,,,,,,,,,
25,1,,124766-59050,, "CLAMP 12",4,,,,,,,,,,,,,
26,1,,22137-060000,, "WASHER 6, POLISHED",2,,,,,,,,,,,,,
27,1,,22137-080000,, "WASHER 8, POLISHED",2,,,,,,,,,,,,,
28,1,,23010-038000,, "CLAMP 38",4,,,,,,,,,,,,,
29,1,,26013-060202,, "BOLT M 6X 20",2,,,,,,,,,,,,,
30,1,,26013-080162,, "BOLT W/WASHER M8X16",4,,,,,,,,,,,,,
31,1,,26013-080162,, "BOLT W/WASHER M8X16",2,,,,,,,,,,,,,
32,1,,26013-100202,, "BOLT W/WASHER M10X20",4,,,,,,,,,,,,,
33,1,,26013-080162,, "BOLT W/WASHER M8X16",2,,,,,,,,,,,,,
34,1,,26051-080002,, "NUT M 8",8,,,,,,,,,,,,,
35,1,,933168-55770,, "BAND 146",1,,,,,,,,,,,,,
36,1,,121250-44590,, CLAMP,2,,,,,,,,,,,,,
37,1,,1A1380-58050,, "GROMMET 16X20X4.5",2,,,,,,,,,,,,,
38,1,,933152-09280,, "BAND 170",1,,,,,,,,,,,,,

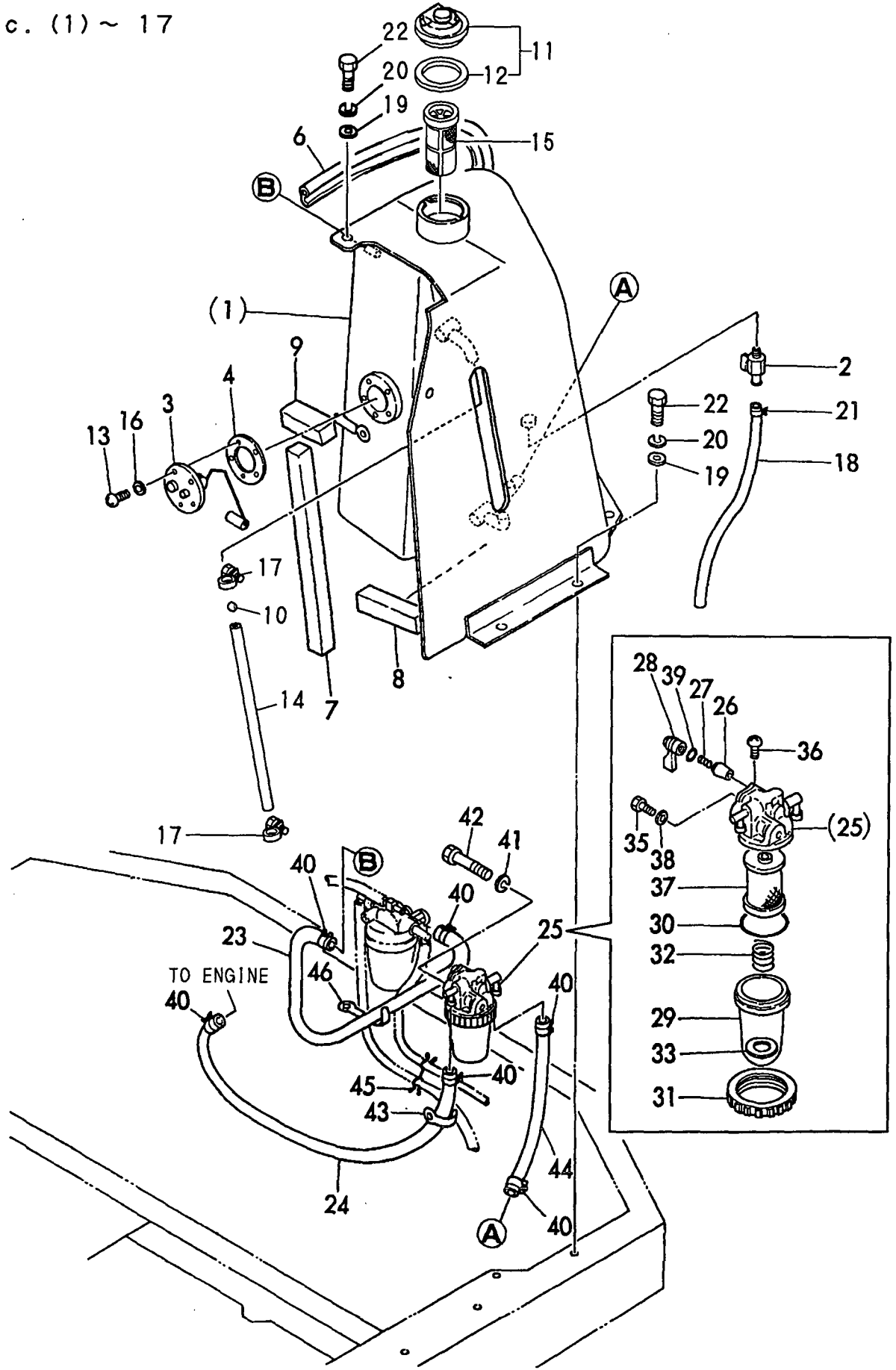
Fig. 6 RADIATOR & MOUNT



1,1,,772171-14101-4,, "TANK ASSY",1,,,,,,,,,,,,,
2,2,,104200-11920,, COCK,1,,,,,,,,,,,,,
3,2,,172162-14180,, "GAUGE UNIT,FUEL",1,,,,,,,,,,,,,
4,2,,172162-14200,, GASKET,1,,,,,,,,,,,,,
6,3,,172171-14150,, "RUBBER,SEAL",1,,,,,,,,,,,,,
7,3,,172171-14210,, "SEAL A,CR SPONGE",1,,,,,,,,,,,,,
8,3,,172171-14220,, "SEAL B,CR SPONGE",1,,,,,,,,,,,,,
9,3,,172168-14240,, "SEAL B,CR SPONGE",1,,,,,,,,,,,,,
10,2,,172141-14260,, FLOAT,1,,,,,,,,,,,,,
11,2,,172122-14301,, "CAP, FUEL TANK",1,,,,,,,,,,,,,
12,3,,172122-14350,, GASKET,1,,,,,,,,,,,,,
13,2,,26557-050122,, "SCREW M 5X 12",5,,,,,,,,,,,,,
14,2,,172142-14421,, "HOSE, FUEL GAUGE",1,,,,,,,,,,,,,
15,2,,172183-14250,, "FILTER (FUEL",1,,,,,,,,,,,,,
16,2,,22217-050000,, "SPRING WASHER 5",5,,,,,,,,,,,,,
17,2,,23010-014000,, "CLAMP 14",2,,,,,,,,,,,,,
18,1,,172142-14320,, "GAUGE, FUEL",1,,,,,,,,,,,,,
19,1,,194145-04810,, "WASHER 10",6,,,,,,,,,,,,,
20,1,,22217-100000,, "SPRING WASHER 10",6,,,,,,,,,,,,,
21,1,,23080-013000,, "CLAMP 13,HOSE",1,,,,,,,,,,,,,
22,1,,26116-100252,, "BOLT M10X 25 PLATED",6,,,,,,,,,,,,,
23,1,,172171-14600,, "HOSE 800",1,,,,,,,,,,,,,
24,1,,172171-14600,, "HOSE 800",1,,,,,,,,,,,,,
25,1,,129335-55700,, "SEPARATOR, WATER",1,,,,,,,,,,,,,
26,2,,104200-55321,, "VALVE, TAPER",1,,,,,,,,,,,,,
27,2,,104200-55330,, "SPRING, TAPER VALVE",1,,,,,,,,,,,,,
28,2,,104200-55341,, "HANDLE, COCK",1,,,,,,,,,,,,,
29,2,,124064-55510,, "BOWL, FUEL STRAINER",1,,,,,,,,,,,,,
30,2,,102103-55520,, O-RING,1,,,,,,,,,,,,,
31,2,,110250-55610,, "RING, RETAINING",1,,,,,,,,,,,,,
32,2,,121257-55720,, "SPRING, SCREEN",1,,,,,,,,,,,,,
33,2,,121257-55731,, FLOAT,1,,,,,,,,,,,,,
35,2,,101720-55750,, "PLUG 6",2,,,,,,,,,,,,,
36,2,,104200-55750,, "SCREW M 4",1,,,,,,,,,,,,,
37,2,,171081-55910,, SCREEN,1,,,,,,,,,,,,,
38,2,,23418-060000,, "GASKET 6, NYLON",2,,,,,,,,,,,,,
39,2,,24311-240100,, "O-RING 1A P-10A",1,,,,,,,,,,,,,
40,1,,124766-59050,, "CLAMP 12",6,,,,,,,,,,,,,
41,1,,22217-080000,, "SPRING WASHER 8",1,,,,,,,,,,,,,
42,1,,26116-080652,, "BOLT M 8X 65 PLATED",1,,,,,,,,,,,,,
43,1,,194440-51620,, "CLAMP, WIRE HARNESS",1,,,,,,,,,,,,,
44,1,,172171-14610,, "HOSE 260,FUEL",1,,,,,,,,,,,,,
45,1,,172171-14300,, W-CLAMP,1,,,,,,,,,,,,,
46,1,,172126-16540,, "CLAMP 10X70",1,,,,,,,,,,,,,

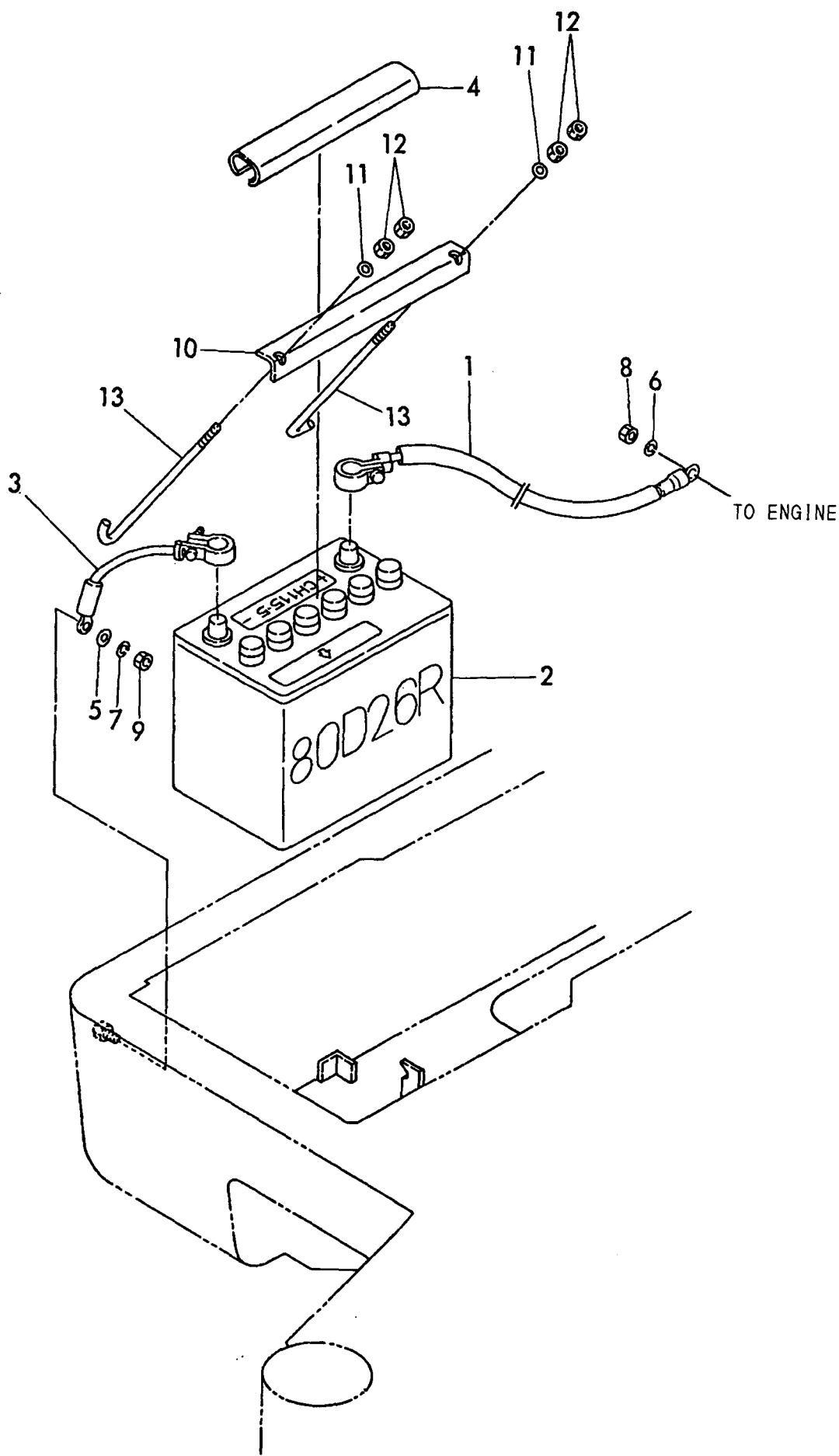
Fig. 7 FUEL TANK & FUEL PIPE

1 inc. (1) ~ 17



1,1,,172170-16100,, "CORD(+), BATTERY",1,,,,,,,,,,,,,
2,1,,172168-16101,, BATTERY,1,,,,,,,,,,,,,
3,1,,172142-16110,, "CORD(-), BATTERY",1,,,,,,,,,,,,,
4,1,,194432-51550,, "COVER, BATTERY",1,,,,,,,,,,,,,
5,1,,22137-100000,, "WASHER 10,POLISHED",1,,,,,,,,,,,,,
6,1,,22217-080000,, "SPRING WASHER 8",1,,,,,,,,,,,,,
7,1,,22217-100000,, "SPRING WASHER 10",1,,,,,,,,,,,,,
8,1,,26716-080002,, "NUT M 8",1,,,,,,,,,,,,,
9,1,,26716-100002,, "NUT 10",1,,,,,,,,,,,,,
10,1,,172168-16300,, "CLAMP, BATTERY",1,,,,,,,,,,,,,
11,1,,22157-080000,, "WASHER 8",2,,,,,,,,,,,,,
12,1,,26716-080002,, "NUT M 8",4,,,,,,,,,,,,,
13,1,,933171-15710,, "ROD(B), BATTERY FIX",2,,,,,,,,,,,,,

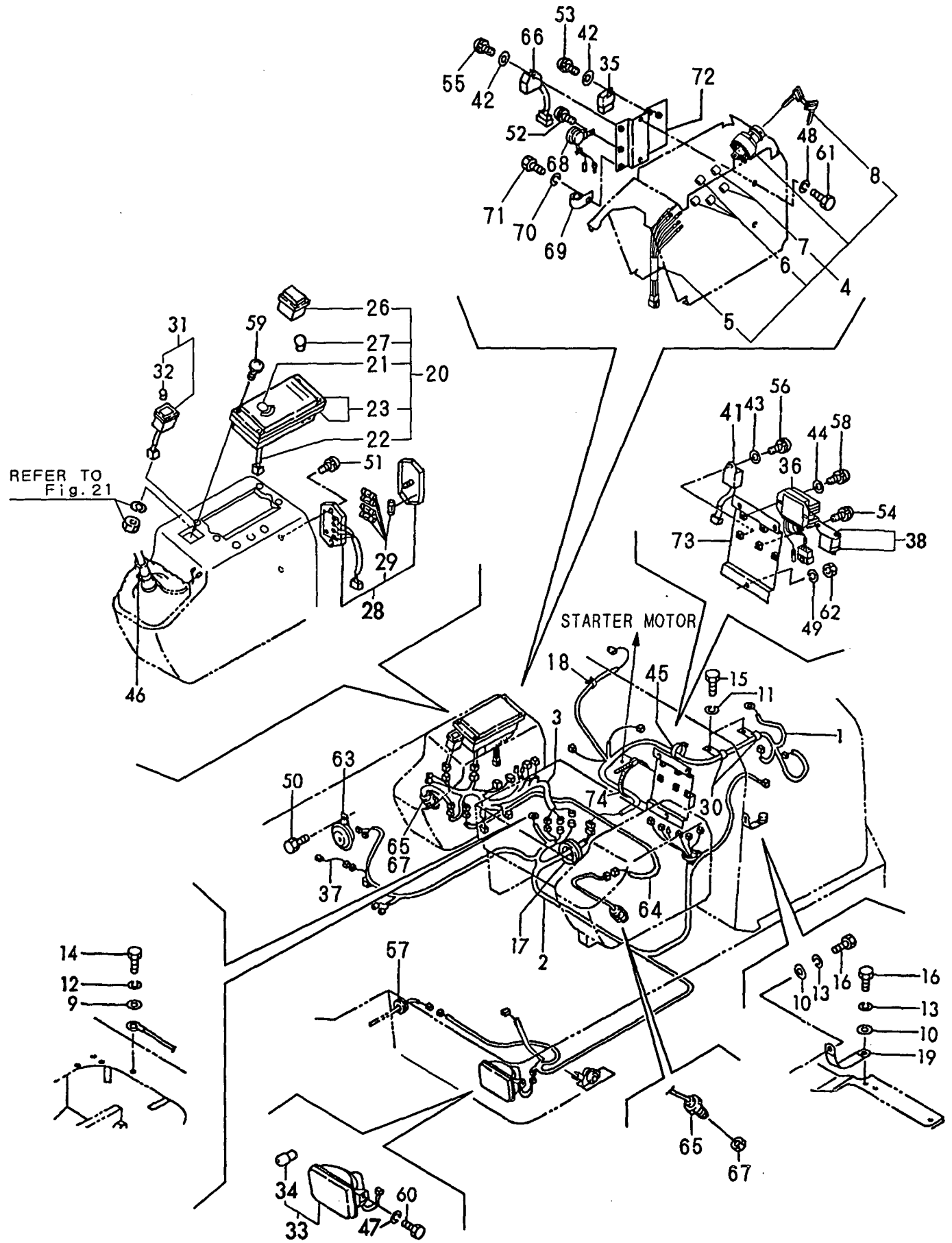
Fig. 8 BATTERY



1,1,,172168-16501,, "HARNESS A,WIRE",1,,,,,,,,,,,,,,,,,,,,,
2,1,,172168-16512,, "HARNESS B,WIRE",1,,,,,,,,,,,,,,,,,,,,,
3,1,,172428-16520,, "HARNESS (C), WIRE",1,,,,,,,,,,,,,,,,,,,,,
4,1,,172428-17100,, "SWITCH ASSY, STARTER",1,,,,,,,,,,,,,,,,,,,,,
5,2,,172165-16530,, "HARNESS D",1,,,,,,,,,,,,,,,,,,,,,
6,2,,172187-17080,, "COVER M5",3,,,,,,,,,,,,,,,,,,,,,
7,2,,172187-17090,, "COVER M4",2,,,,,,,,,,,,,,,,,,,,,
8,2,,933110-00301,, "KEY ASSY",1,,,,,,,,,,,,,,,,,,,,,
9,1,,22137-100000,, "WASHER 10,POLISHED",1,,,,,,,,,,,,,,,,,,,,,
10,1,,22137-120000,, "WASHER 12,POLISHED",2,,,,,,,,,,,,,,,,,,,,,
11,1,,22217-100000,, "SPRING WASHER 10",2,,,,,,,,,,,,,,,,,,,,,
12,1,,22217-100000,, "SPRING WASHER 10",1,,,,,,,,,,,,,,,,,,,,,
13,1,,22217-120000,, "SPRING WASHER",2,,,,,,,,,,,,,,,,,,,,,
14,1,,26116-100162,, "BOLT M10X 16 PLATED",1,,,,,,,,,,,,,,,,,,,,,
15,1,,26116-100162,, "BOLT M10X 16 PLATED",2,,,,,,,,,,,,,,,,,,,,,
16,1,,26116-120162,, "BOLT M12X 16 PLATED",2,,,,,,,,,,,,,,,,,,,,,
17,1,,29311-515000,, "GROMMET 51X5",1,,,,,,,,,,,,,,,,,,,,,
18,1,,933168-55770,, "BAND 146",3,,,,,,,,,,,,,,,,,,,,,
19,1,,933171-15801,, "WIRE, EARTH",1,,,,,,,,,,,,,,,,,,,,,
20,1,,172162-17101,, "BOX ASSY, INDICATOR",1,,,,,,,,,,,,,,,,,,,,,
21,2,,172162-17240,, "METER ASSY, FUEL",1,,,,,,,,,,,,,,,,,,,,,
22,2,,172162-17250,, HARNESS,1,,,,,,,,,,,,,,,,,,,,,
23,2,,172162-17270,, "COVER, FRONT",1,,,,,,,,,,,,,,,,,,,,,
26,2,,172162-17130,, HOURMETER,1,,,,,,,,,,,,,,,,,,,,,
27,2,,172162-17120,, VALVE,4,,,,,,,,,,,,,,,,,,,,,
28,1,,172141-17161,, "BOX, FUSE",1,,,,,,,,,,,,,,,,,,,,,
29,2,,29411-150000,, "FUSE (15A), CARTRIDGE",5,,,,,,,,,,,,,,,,,,,,,
30,1,,172126-16540,, "CLAMP 10X70",3,,,,,,,,,,,,,,,,,,,,,
31,1,,172141-17190,, "SWITCH, WORK LAMP",1,,,,,,,,,,,,,,,,,,,,,
32,2,,172141-17230,, "BULB 24V- 6W",1,,,,,,,,,,,,,,,,,,,,,
33,1,,172162-17410,, "LAMP ASSY, HEADLIGHT",1,,,,,,,,,,,,,,,,,,,,,
34,2,,29220-788200,, BULB,1,,,,,,,,,,,,,,,,,,,,,
35,1,,119247-77100,, "RELAY, SAFETY",1,,,,,,,,,,,,,,,,,,,,,
36,1,,119653-77710,, "LIMITTER, CURRENT",1,,,,,,,,,,,,,,,,,,,,,
37,1,,172183-16540,, "LINK,FUSIBLE",1,,,,,,,,,,,,,,,,,,,,,
38,1,,119650-77910,, "RELAY, GROW",1,,,,,,,,,,,,,,,,,,,,,
41,1,,119632-77922,, TIMER,1,,,,,,,,,,,,,,,,,,,,,
42,1,,22137-060000,, "WASHER 6, POLISHED",2,,,,,,,,,,,,,,,,,,,,,
43,1,,22137-060000,, "WASHER 6, POLISHED",1,,,,,,,,,,,,,,,,,,,,,
44,1,,22137-060000,, "WASHER 6, POLISHED",2,,,,,,,,,,,,,,,,,,,,,
45,1,,194250-51660,, "BAND 250",1,,,,,,,,,,,,,,,,,,,,,
46,1,,933168-55770,, "BAND 146",1,,,,,,,,,,,,,,,,,,,,,
47,1,,22217-080000,, "SPRING WASHER 8",2,,,,,,,,,,,,,,,,,,,,,
48,1,,22217-080000,, "SPRING WASHER 8",2,,,,,,,,,,,,,,,,,,,,,
49,1,,22217-100000,, "SPRING WASHER 10",3,,,,,,,,,,,,,,,,,,,,,
50,1,,26013-060122,, "BOLT M 6X 12",2,,,,,,,,,,,,,,,,,,,,,
51,1,,26022-050162,, "SCREW M 5X 16",2,,,,,,,,,,,,,,,,,,,,,
52,1,,26022-060122,, "SCREW M 6X 12",1,,,,,,,,,,,,,,,,,,,,,
53,1,,26022-060122,, "SCREW M 6X 12",1,,,,,,,,,,,,,,,,,,,,,
54,1,,26022-060122,, "SCREW M 6X 12",2,,,,,,,,,,,,,,,,,,,,,
55,1,,26022-060162,, "SCREW M 6X 16",1,,,,,,,,,,,,,,,,,,,,,
56,1,,26022-060162,, "SCREW M 6X 16",1,,,,,,,,,,,,,,,,,,,,,
57,1,,1A1380-58050,, "GROMMET 16X20X4.5",1,,,,,,,,,,,,,,,,,,,,,
58,1,,26022-060252,, "SCREW M 6X 25",2,,,,,,,,,,,,,,,,,,,,,
59,1,,26589-040202,, "SCREW M4,BINDING",4,,,,,,,,,,,,,,,,,,,,,
60,1,,26116-080162,, "BOLT 8X16",2,,,,,,,,,,,,,,,,,,,,,
61,1,,26116-080162,, "BOLT 8X16",2,,,,,,,,,,,,,,,,,,,,,
62,1,,26716-100002,, "NUT 10",3,,,,,,,,,,,,,,,,,,,,,
63,1,,933110-05301,, HORN,1,,,,,,,,,,,,,,,,,,,,,
64,1,,172165-16560,, "HARNESS (G)",1,,,,,,,,,,,,,,,,,,,,,
65,1,,172164-17140,, SWITCH,2,,,,,,,,,,,,,,,,,,,,,
66,1,,172141-17141,, "UNIT, CHECKER",1,,,,,,,,,,,,,,,,,,,,,
67,1,,26776-160002,, "LOCK NUT M16 PLATED",2,,,,,,,,,,,,,,,,,,,,,

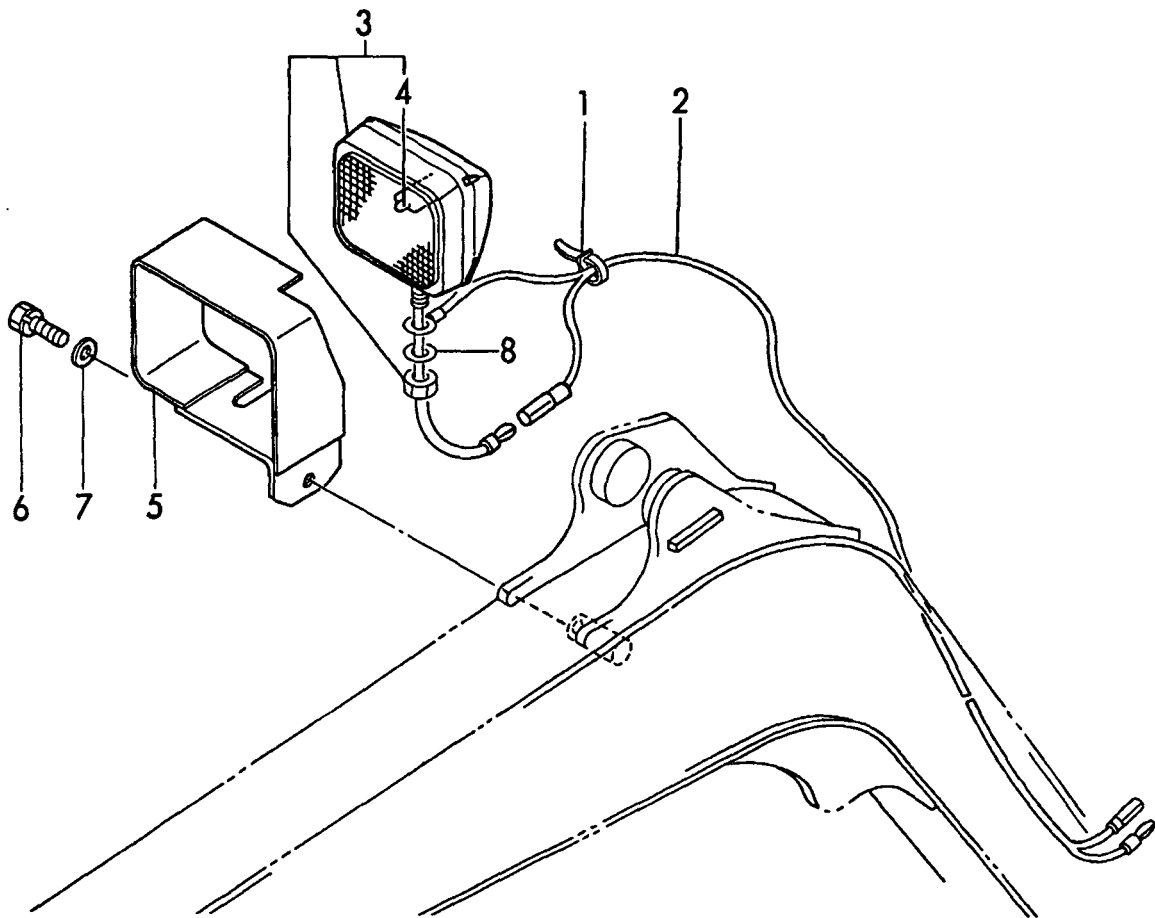
68,1,,172141-17150,,BUZZER,1,,,,,,,,,,,,,
69,1,,172142-16550,,CLAMP,1,,,,,,,,,,,,,
70,1,,22217-060000,, "SPRING WASHER 6",1,,,,,,,,,,,,,
71,1,,26116-060122,, "BOLT 6X12",1,,,,,,,,,,,,,
72,1,,172168-17100,, "BRACKET ASSY, ELEC.",1,,,,,,,,,,,,,
73,1,,172168-17120,, "BRACKET ASSY, TIMER",1,,,,,,,,,,,,,
74,1,,172122-79890,, "CLAMP 350",1,,,,,,,,,,,,,

Fig. 9 ELECTRIC PART



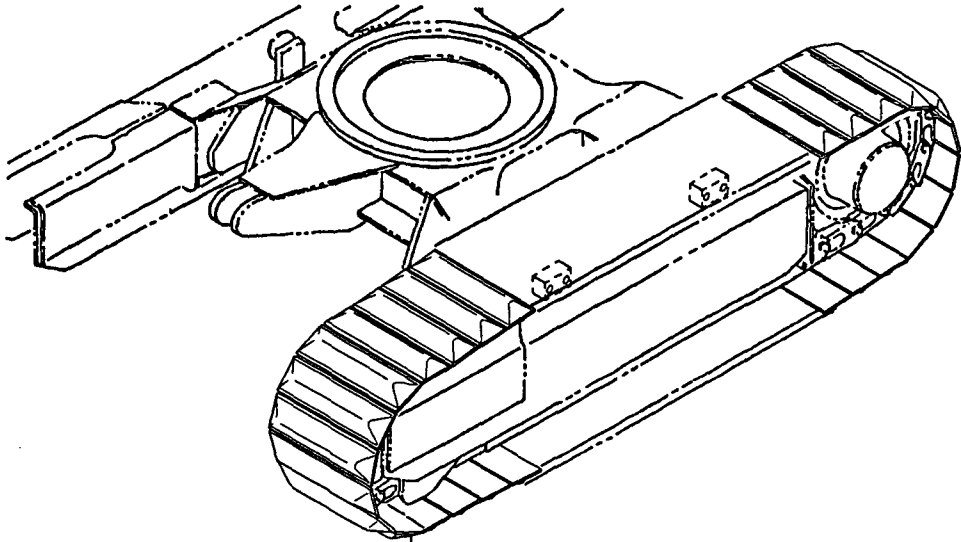
1,1,,172137-16560,,BAND,5,,,,,,,,,,,,,
2,1,,172141-16561,, "WIRE, LAMP",1,,,,,,,,,,,,,
3,1,,172141-17201,, "LAMP, WORK",1,,,,,,,,,,,,,
4,2,,172141-17211,, "BULB 12V55W",1,,,,,,,,,,,,,
5,1,,172137-17401-4,, "COVER, WORK LAMP",1,,,,,,,,,,,,,
6,1,,26013-120252,, "BOLT M12X 25",1,,,,,,,,,,,,,
7,1,,933152-03700,, "WASHER, SIDE CLUTCH",1,,,,,,,,,,,,,
8,1,,22137-130000,, "WASHER 13",2,,,,,,,,,,,,,

Fig. 10 WORK LAMP

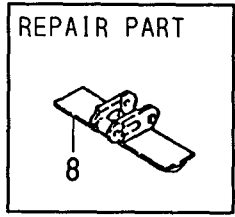
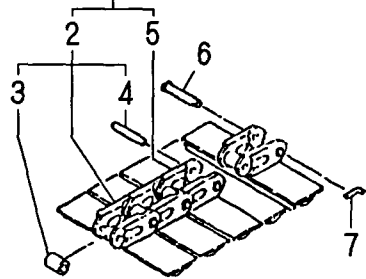


1,1,,772141-37101,,IDLER,2,,,,,,,,,,,,,,,,,,,,,
2,2,,172141-99490,, "IDLER KIT, FRONT",2,,,,,,,,,,,,,,,,,,,,,
3,3,,172141-37130,, "SHAFT, IDLER",2,,,,,,,,,,,,,,,,,,,,,
4,3,,172141-37140,, "SEAL 357220",4,,,,,,,,,,,,,,,,,,,,,
5,3,,22242-000300,, "CIRCLIP 30",2,,,,,,,,,,,,,,,,,,,,,
6,3,,22252-000720,, "CIRCLIP 72",4,,,,,,,,,,,,,,,,,,,,,
7,3,,24101-062074,, "BALL BEARING",4,,,,,,,,,,,,,,,,,,,,,
8,2,,172141-37100,, "IDLER 280",2,,,,,,,,,,,,,,,,,,,,,
9,2,,172141-37111,, "FORK(L), IDLER",2,,,,,,,,,,,,,,,,,,,,,
10,2,,172141-37121,, "FORK(R), IDLER",2,,,,,,,,,,,,,,,,,,,,,
11,1,,172141-29110,, SPROCKET,2,,,,,,,,,,,,,,,,,,,,,
12,1,,26013-120302,, "BOLT W/WASHER M12X30",18,,,,,,,,,,,,,,,,,,,,,
13,1,,933171-13691,, "PLUG PT1/8",2,,,,,,,,,,,,,,,,,,,,,
14,1,,772422-37300,, "ROLLER ASSY, TRACK",6,,,,,,,,,,,,,,,,,,,,,
16,2,,172422-37310,, SHAFT,6,,,,,,,,,,,,,,,,,,,,,
17,2,,172141-37320,, "SPACER 75X2.6",12,,,,,,,,,,,,,,,,,,,,,
18,2,,1A1030-48250,, "SEAL QLF30621218,OIL",12,,,,,,,,,,,,,,,,,,,,,
19,2,,22252-000620,, "CIRCLIP 62(H)",12,,,,,,,,,,,,,,,,,,,,,
20,2,,22252-000750,, "CIRCLIP 75",12,,,,,,,,,,,,,,,,,,,,,
21,2,,933111-73800,, BEARING,12,,,,,,,,,,,,,,,,,,,,,
22,1,,172162-82980,, "BOLT M16X 35",12,,,,,,,,,,,,,,,,,,,,,
23,1,,22217-160000,, "SPRING WASHER 16",12,,,,,,,,,,,,,,,,,,,,,
24,1,,933126-34300,, "SEAL 3547710",2,,,,,,,,,,,,,,,,,,,,,
25,1,,172146-37700,, SPRING,2,,,,,,,,,,,,,,,,,,,,,
26,1,,172141-37801,, "PISTON, ADJUST",2,,,,,,,,,,,,,,,,,,,,,
27,1,,172122-37843,, "VALVE ASSY, NIPPLE",2,,,,,,,,,,,,,,,,,,,,,
28,2,,24315-000140,, "O-RING 1B P-14.0",2,,,,,,,,,,,,,,,,,,,,,
29,2,,24761-020000,, "NIPPLE PT1/8,GREASE",2,,,,,,,,,,,,,,,,,,,,,
30,1,,172141-37850,, "RING G35, BACK UP",2,,,,,,,,,,,,,,,,,,,,,
31,1,,24325-000350,, "O-RING 1B G 35.0",2,,,,,,,,,,,,,,,,,,,,,
32,1,,26013-100402,, "BOLT M10X 40",8,,,,,,,,,,,,,,,,,,,,,

Fig. 12 CRAWLER



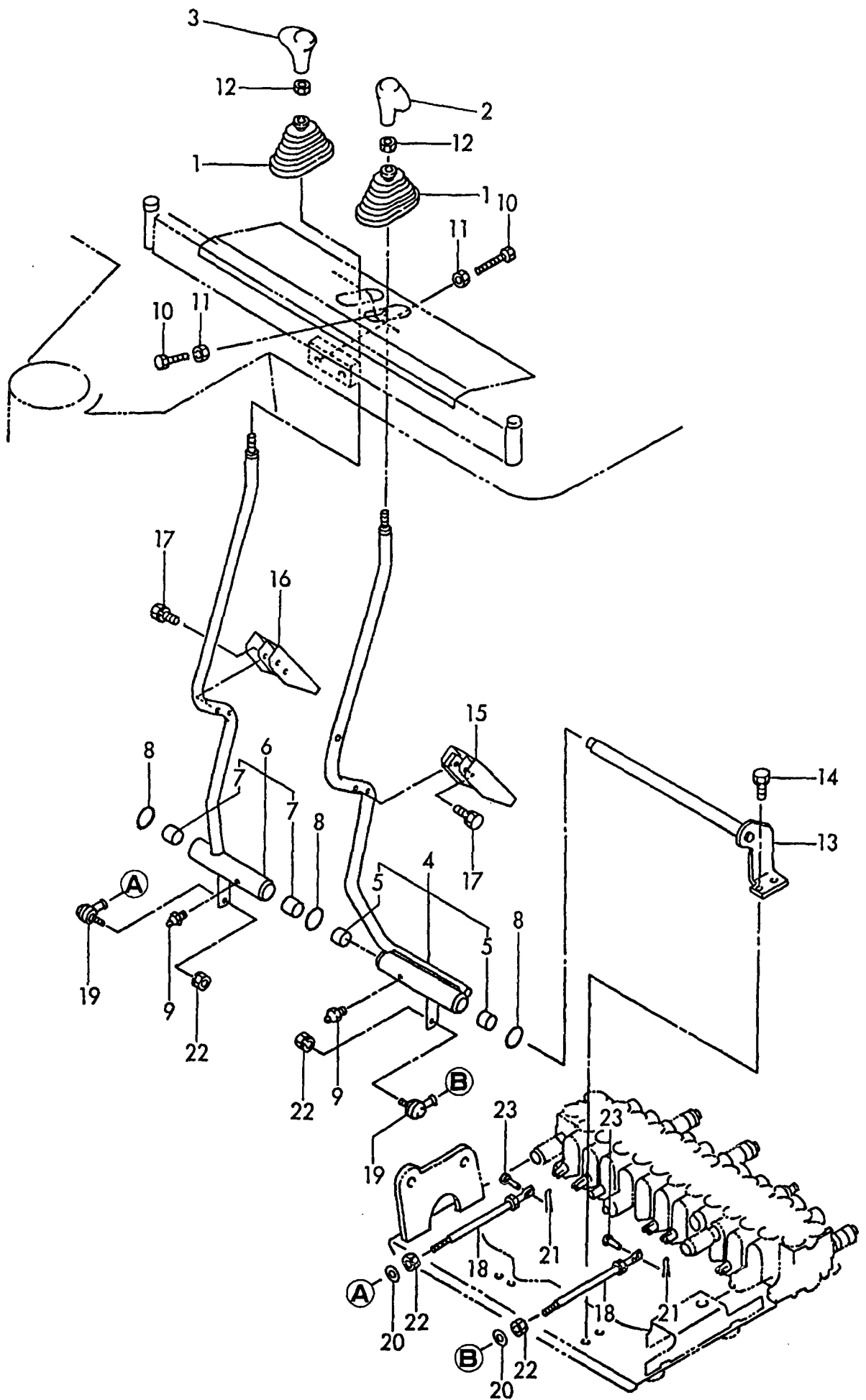
1 CRAWLER (350, TRAIANGLE)



1,1,,172146-41320,,GROMMET,1,,,,,,,,,,,,,
2,1,,194145-04810,,,"WASHER 10",2,,,,,,,,,,,,,
3,1,,172165-46401,,,"SUPPORT",1,,,,,,,,,,,,,
4,1,,172165-46660,,,"COVER",1,,,,,,,,,,,,,
5,1,,172165-47100,,,"STAND R, LEVER",1,,,,,,,,,,,,,
6,2,,172141-41370,,,"BUSH 2015",2,,,,,,,,,,,,,
8,2,,24550-025150,,,"BUSH 25X15",2,,,,,,,,,,,,,
9,1,,172165-47300,,,"STAND L, LEVER",1,,,,,,,,,,,,,
10,2,,172141-41370,,,"BUSH 2015",2,,,,,,,,,,,,,
12,2,,24550-025150,,,"BUSH 25X15",2,,,,,,,,,,,,,
13,1,,172165-47730,,,"GUIDE, HOSE",1,,,,,,,,,,,,,
14,1,,172165-47770,,,"BRACKET, ACCEL",1,,,,,,,,,,,,,
15,1,,172165-47711,,,"PLATE",2,,,,,,,,,,,,,
16,1,,24311-000340,,,"O-RING 1A P-34.0",4,,,,,,,,,,,,,
17,1,,172165-47720,,,"GUIDE COMP.,HOSE",1,,,,,,,,,,,,,
18,1,,26116-100504,,,"BOLT M10X 50 PLATED",1,,,,,,,,,,,,,
19,1,,172165-47980,,,"SHIM 42X25.5X0.5",4,,,,,,,,,,,,,
20,1,,172151-53430,,,"GROMMET",2,,,,,,,,,,,,,
21,1,,172165-47990,,,"WASHER",2,,,,,,,,,,,,,
22,1,,26716-100002,,,"NUT 10",1,,,,,,,,,,,,,
23,1,,22217-100000,,,"SPRING WASHER 10",7,,,,,,,,,,,,,
24,1,,22242-000250,,,"CIRCLIP 25S",2,,,,,,,,,,,,,
25,1,,24761-020000,,,"NIPPLE PT1/8,GREASE",4,,,,,,,,,,,,,
26,1,,26013-080202,,,"BOLT W/WASHER M8X20",4,,,,,,,,,,,,,
27,1,,26013-080162,,,"BOLT W/WASHER M8X16",8,,,,,,,,,,,,,
28,1,,26013-100202,,,"BOLT W/WASHER M10X20",2,,,,,,,,,,,,,
29,1,,26116-100202,,,"BOLT M10X 20 PLATED",4,,,,,,,,,,,,,
30,1,,26116-100902,,,"BOLT M10X 90 PLATED",2,,,,,,,,,,,,,
31,1,,194630-62360,,,"GROMMET",4,,,,,,,,,,,,,
32,1,,172519-63240,,,"BOLT 8X 16",5,,,,,,,,,,,,,
33,1,,172151-45010,,,"BOOT P,LEVER",2,,,,,,,,,,,,,
34,1,,172165-45071,,,"KNOB (L) ASSY",1,,,,,,,,,,,,,
35,1,,172165-47821,,,"LEVER R ASSY, SI",1,,,,,,,,,,,,,
36,1,,172165-47851,,,"LEVER L, SI",1,,,,,,,,,,,,,
37,1,,172165-47871,,,"KNOB (A) ASSY",1,,,,,,,,,,,,,
38,1,,26587-040062,,,"SCREW M 4X 6",2,,,,,,,,,,,,,
39,1,,26736-140002,,,"NUT M14",2,,,,,,,,,,,,,
40,1,,933168-55770,,,"BAND 146",2,,,,,,,,,,,,,
41,1,,194300-21450,,,"CAP 20",1,,,,,,,,,,,,,
42,1,,172165-45620,,,"COVER, SUPPORT",1,,,,,,,,,,,,,
43,1,,172519-63240,,,"BOLT 8X 16",2,,,,,,,,,,,,,

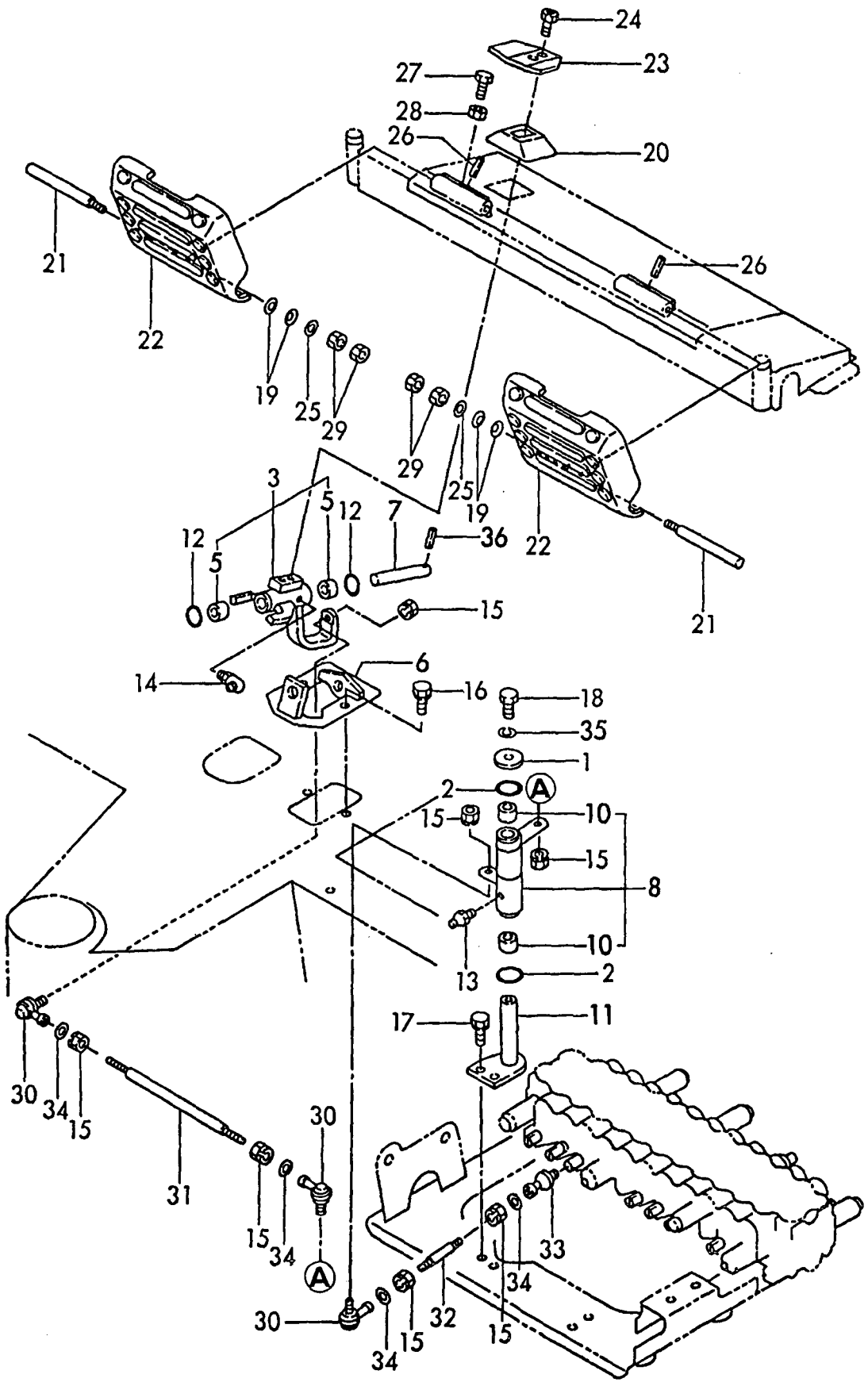
1,1,,172141-41340,,BOOTS,2,,,,,,,,,,,,,,,,,,,,,
2,1,,172164-45951,, "GRIP L, DRIV.",1,,,,,,,,,,,,,,,,,,,,,
3,1,,172164-45961,, "GRIP R, DRIV.",1,,,,,,,,,,,,,,,,,,,,,
4,1,,172168-45101,, "LEVER L COMP.,TRACK",1,,,,,,,,,,,,,,,,,,,,,
5,2,,172141-41370,, "BUSH 2015",2,,,,,,,,,,,,,,,,,,,,,
6,1,,172168-45121,, "LEVER R COMP.,TRACK",1,,,,,,,,,,,,,,,,,,,,,
7,2,,172141-41370,, "BUSH 2015",2,,,,,,,,,,,,,,,,,,,,,
8,1,,172124-46200,, "O-RING 27X5.7",3,,,,,,,,,,,,,,,,,,,,,
9,1,,24761-020000,, "NIPPLE PT1/8,GREASE",2,,,,,,,,,,,,,,,,,,,,,
10,1,,26116-100504,, "BOLT M10X 50 PLATED",4,,,,,,,,,,,,,,,,,,,,,
11,1,,26716-100002,, "NUT 10",4,,,,,,,,,,,,,,,,,,,,,
12,1,,26756-100002,, "LOCK NUT M10 PLATED",2,,,,,,,,,,,,,,,,,,,,,
13,1,,172168-45200,, "SHAFT, TRACK",1,,,,,,,,,,,,,,,,,,,,,
14,1,,26013-100252,, "BOLT W/WASHER M10X25",2,,,,,,,,,,,,,,,,,,,,,
15,1,,172165-46100,, "PEDAL L ASSY",1,,,,,,,,,,,,,,,,,,,,,
16,1,,172165-46150,, "PEDAL R COMP",1,,,,,,,,,,,,,,,,,,,,,
17,1,,26013-060302,, "BOLT M 6X 30",4,,,,,,,,,,,,,,,,,,,,,
18,1,,172168-45940,, "ROD 200",2,,,,,,,,,,,,,,,,,,,,,
19,1,,172122-46590,, "ELBALL 8",2,,,,,,,,,,,,,,,,,,,,,
20,1,,22137-080000,, "WASHER 8, POLISHED",2,,,,,,,,,,,,,,,,,,,,,
21,1,,22417-160160,, "COTTER PIN 1.6X16",2,,,,,,,,,,,,,,,,,,,,,
22,1,,26051-080002,, "NUT M 8",4,,,,,,,,,,,,,,,,,,,,,
23,1,,933110-54100,, "PIN 4.75X14",2,,,,,,,,,,,,,,,,,,,,,

Fig. 14 CONTROL EQUIPMENT (TRAVEL)



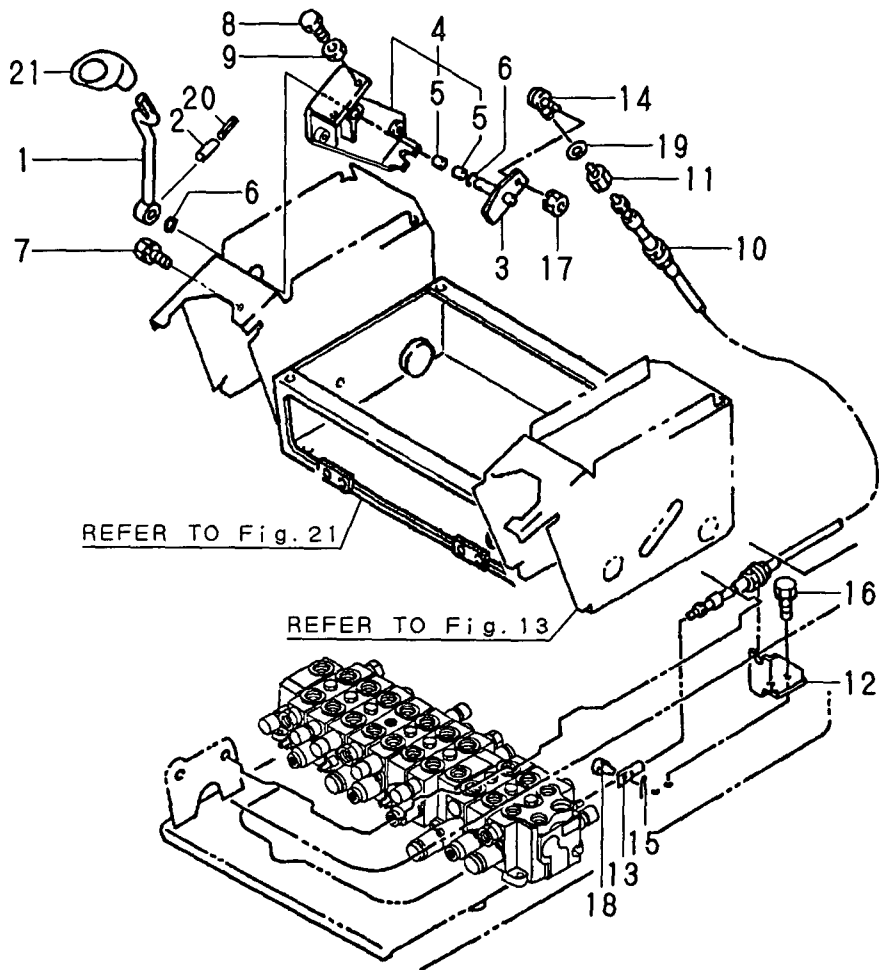
1,1,,1A1040-45890,, "WASHER 10 36 4.5",1,,,,,,,,,,,,,,,,,,,,,
2,1,,172124-46200,, "O-RING 27X5.7",2,,,,,,,,,,,,,,,,,,,,,
3,1,,172165-46301,, "LINK W/BUSH",1,,,,,,,,,,,,,,,,,,,,,
5,2,,172141-41360,, "BUSH 1415",2,,,,,,,,,,,,,,,,,,,,,
6,1,,172165-46350,, "BRACKET, PEDAL",1,,,,,,,,,,,,,,,,,,,,,
7,1,,172146-41910,, "PIN 14-100",1,,,,,,,,,,,,,,,,,,,,,
8,1,,172168-46800,, "LINK W/BUSH, SWING",1,,,,,,,,,,,,,,,,,,,,,
10,2,,172141-41370,, "BUSH 2015",2,,,,,,,,,,,,,,,,,,,,,
11,1,,172168-46820,, "SHAFT",1,,,,,,,,,,,,,,,,,,,,,
12,1,,24311-000210,, "O-RING 1A P-21.0",2,,,,,,,,,,,,,,,,,,,,,
13,1,,24761-020000,, "NIPPLE PT1/8,GREASE",1,,,,,,,,,,,,,,,,,,,,,
14,1,,24761-050000,, "NIPPLE C,GREASE",1,,,,,,,,,,,,,,,,,,,,,
15,1,,26051-080002,, "NUT M 8",7,,,,,,,,,,,,,,,,,,,,,
16,1,,26013-100202,, "BOLT W/WASHER M10X20",2,,,,,,,,,,,,,,,,,,,,,
17,1,,26013-100252,, "BOLT W/WASHER M10X25",2,,,,,,,,,,,,,,,,,,,,,
18,1,,26116-100202,, "BOLT M10X 20 PLATED",1,,,,,,,,,,,,,,,,,,,,,
19,1,,172068-28490,, "SPRING 8",4,,,,,,,,,,,,,,,,,,,,,
20,1,,172157-45990,, "BOOTS, PEDAL",1,,,,,,,,,,,,,,,,,,,,,
21,1,,172165-46230,, "SHAFT, SWING",2,,,,,,,,,,,,,,,,,,,,,
22,1,,172165-46261,, "COVER, PEDAL",2,,,,,,,,,,,,,,,,,,,,,
23,1,,172165-46281,, "PEDAL ASSY, SWING",1,,,,,,,,,,,,,,,,,,,,,
24,1,,172165-46340,, "BOLT",2,,,,,,,,,,,,,,,,,,,,,
25,1,,22137-080000,, "WASHER 8, POLISHED",2,,,,,,,,,,,,,,,,,,,,,
26,1,,22351-040020,, "SPRING PIN 4X20",2,,,,,,,,,,,,,,,,,,,,,
27,1,,26116-080304,, "BOLT M8 X 30 PLATED",2,,,,,,,,,,,,,,,,,,,,,
28,1,,26716-080002,, "NUT M 8",2,,,,,,,,,,,,,,,,,,,,,
29,1,,26716-080002,, "NUT M 8",4,,,,,,,,,,,,,,,,,,,,,
30,1,,172122-46590,, "ELBALL 8",3,,,,,,,,,,,,,,,,,,,,,
31,1,,172168-46840,, "ROD 240",1,,,,,,,,,,,,,,,,,,,,,
32,1,,172168-46860,, "ROD 100",1,,,,,,,,,,,,,,,,,,,,,
33,1,,172122-47250,, "BALL 8, LINK",1,,,,,,,,,,,,,,,,,,,,,
34,1,,22137-080000,, "WASHER 8, POLISHED",4,,,,,,,,,,,,,,,,,,,,,
35,1,,22217-100000,, "SPRING WASHER 10",1,,,,,,,,,,,,,,,,,,,,,
36,1,,22351-040032,, "SPRING PIN 4X32",1,,,,,,,,,,,,,,,,,,,,,

Fig. 15 CONTROL EQUIPMENT (SWING)



1,1,,172165-45270,, "LEVER ASSY, BLADE S",1,,,,,,,,,,,,,
2,1,,22351-050032,, "SPRING PIN 5X32",1,,,,,,,,,,,,,
3,1,,172165-45140,, "LINK, BLADE",1,,,,,,,,,,,,,
4,1,,172165-45181,, "BRACKET ASY",1,,,,,,,,,,,,,
5,2,,172141-41360,, "BUSH 1415",2,,,,,,,,,,,,,
6,1,,24311-000210,, "O-RING 1A P-21.0",2,,,,,,,,,,,,,
7,1,,26013-100202,, "BOLT W/WASHER M10X20",3,,,,,,,,,,,,,
8,1,,26116-100354,, "BOLT M10X 35 PLATED",2,,,,,,,,,,,,,
9,1,,26716-100002,, "NUT 10",2,,,,,,,,,,,,,
10,1,,172141-42950,, "CABLE, BLADE",1,,,,,,,,,,,,,
11,1,,172141-42960,, "JOINT, CABLE",1,,,,,,,,,,,,,
12,1,,172168-45140,, "SUPPORT, BR CABLE",1,,,,,,,,,,,,,
13,1,,172142-45670,, "ROD, SPOOL",1,,,,,,,,,,,,,
14,1,,172122-46590,, "ELBALL 8",1,,,,,,,,,,,,,
15,1,,22417-160160,, "COTTER PIN 1.6X16",1,,,,,,,,,,,,,
16,1,,26013-100202,, "BOLT W/WASHER M10X20",2,,,,,,,,,,,,,
17,1,,26051-080002,, "NUT M 8",1,,,,,,,,,,,,,
18,1,,933110-54100,, "PIN 4.75X14",1,,,,,,,,,,,,,
19,1,,933168-28480,, "WASHER 20X9X3.2",1,,,,,,,,,,,,,
20,1,,22351-030032,, "SPRING PIN 3X32",1,,,,,,,,,,,,,
21,1,,172164-45970,, "GRIP, BLADE",1,,,,,,,,,,,,,

Fig. 16 CONTROL EQUIPMENT (BLADE)

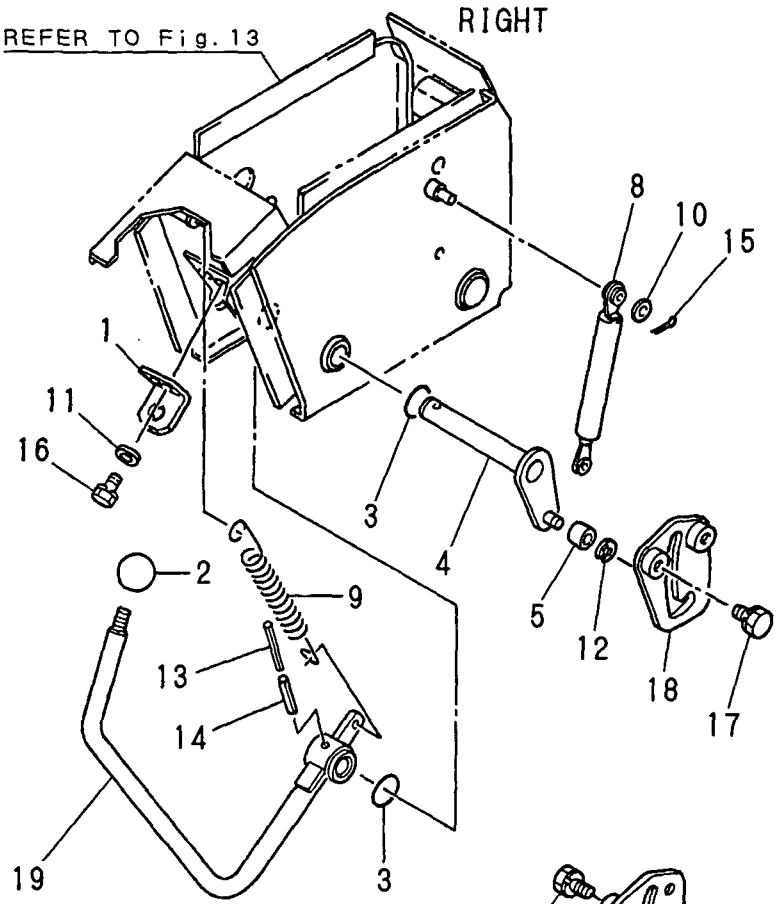


1,1,,172164-17150,, "BRACKET, SWITCH",2,,,,,,,,,,,,,,,,,,,,,
2,1,,1D4070-23580,, "GRIP,RED ROUND",2,,,,,,,,,,,,,,,,,,,,,
3,1,,172124-46200,, "O-RING 27X5.7",4,,,,,,,,,,,,,,,,,,,,,
4,1,,172165-47500,, "ARM ASSY, LOCK",2,,,,,,,,,,,,,,,,,,,,,
5,1,,172165-47550,, BUSH,2,,,,,,,,,,,,,,,,,,,,,
6,1,,172165-47621,, "GUIDE (L) ASSY, LOCK",1,,,,,,,,,,,,,,,,,,,,,
7,1,,172165-47450,, "LEVER (L), LOCK",1,,,,,,,,,,,,,,,,,,,,,
8,1,,172165-47801,, "SPRING,GAS",2,,,,,,,,,,,,,,,,,,,,,
9,1,,1A1380-56661,, "SPRING,ROTARY RETURN",2,,,,,,,,,,,,,,,,,,,,,
10,1,,22137-080000,, "WASHER 8, POLISHED",4,,,,,,,,,,,,,,,,,,,,,
11,1,,22137-080000,, "WASHER 8, POLISHED",4,,,,,,,,,,,,,,,,,,,,,
12,1,,22272-000070,, "CIRCLIP E- 7",2,,,,,,,,,,,,,,,,,,,,,
13,1,,22351-035040,, "SPRING PIN 3.5X40",2,,,,,,,,,,,,,,,,,,,,,
14,1,,22351-060040,, "SPRING PIN 6X40",2,,,,,,,,,,,,,,,,,,,,,
15,1,,22417-200200,, "COTTER PIN 2.0X20",4,,,,,,,,,,,,,,,,,,,,,
16,1,,26013-080202,, "BOLT W/WASHER M8X20",4,,,,,,,,,,,,,,,,,,,,,
17,1,,26013-100202,, "BOLT W/WASHER M10X20",4,,,,,,,,,,,,,,,,,,,,,
18,1,,172165-47601,, "GUIDE R ASSY, LOCK",1,,,,,,,,,,,,,,,,,,,,,
19,1,,172168-47400,, LEVER,1,,,,,,,,,,,,,,,,,,,,,

Fig. 17 CONTROL EQUIPMENT (CUT OFF LEVER)

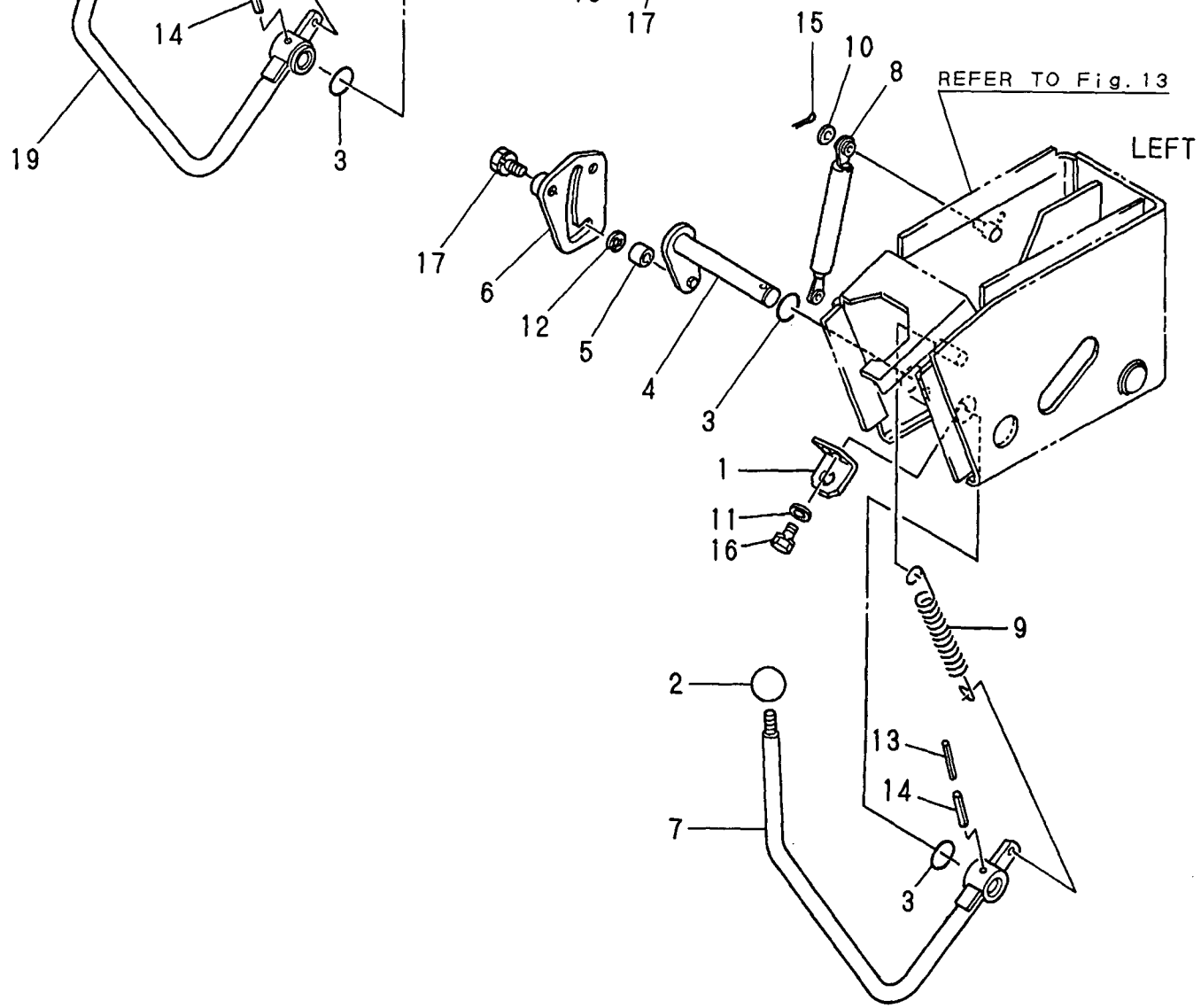
REFER TO Fig. 13

RIGHT



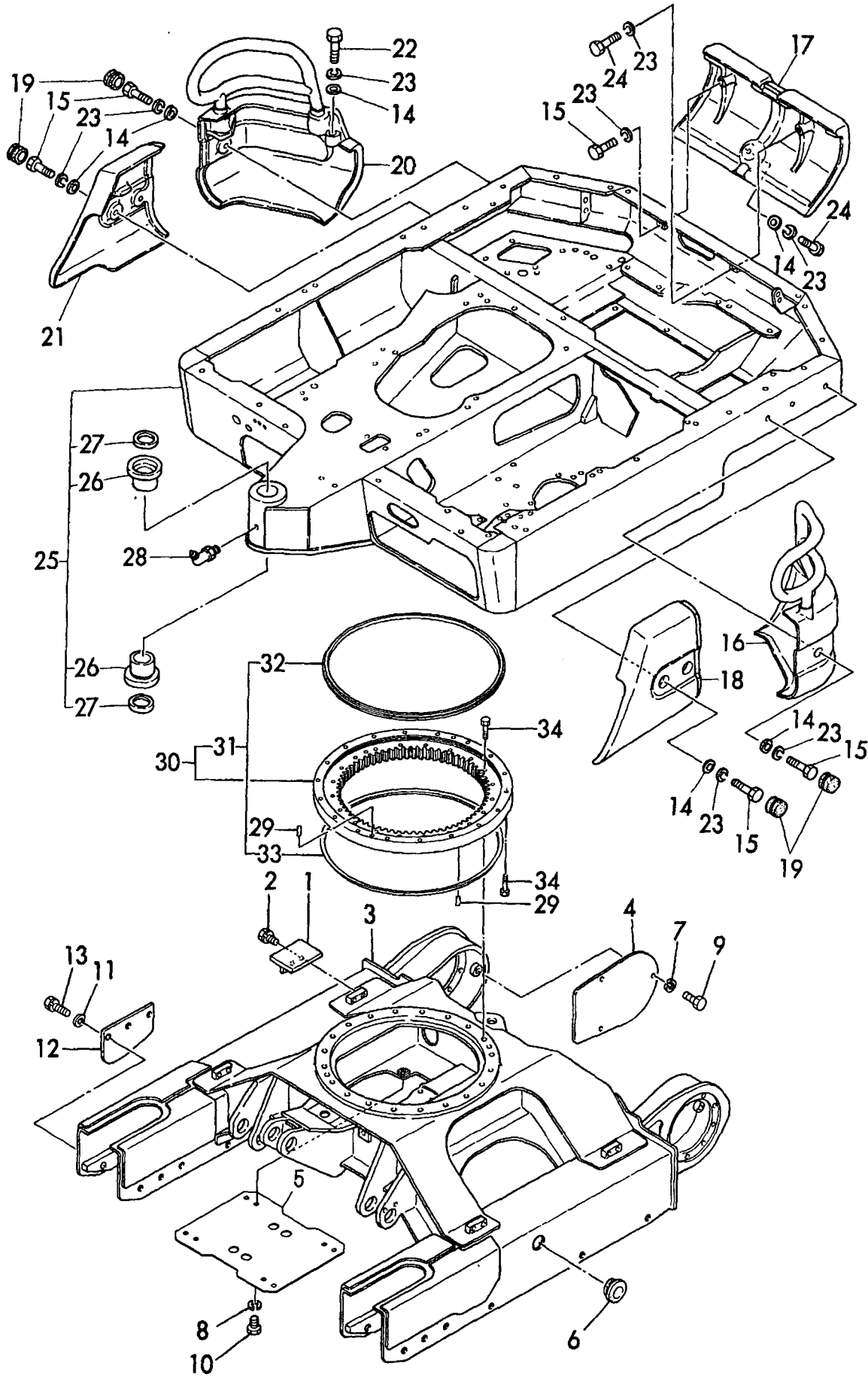
REFER TO Fig. 13

LEFT



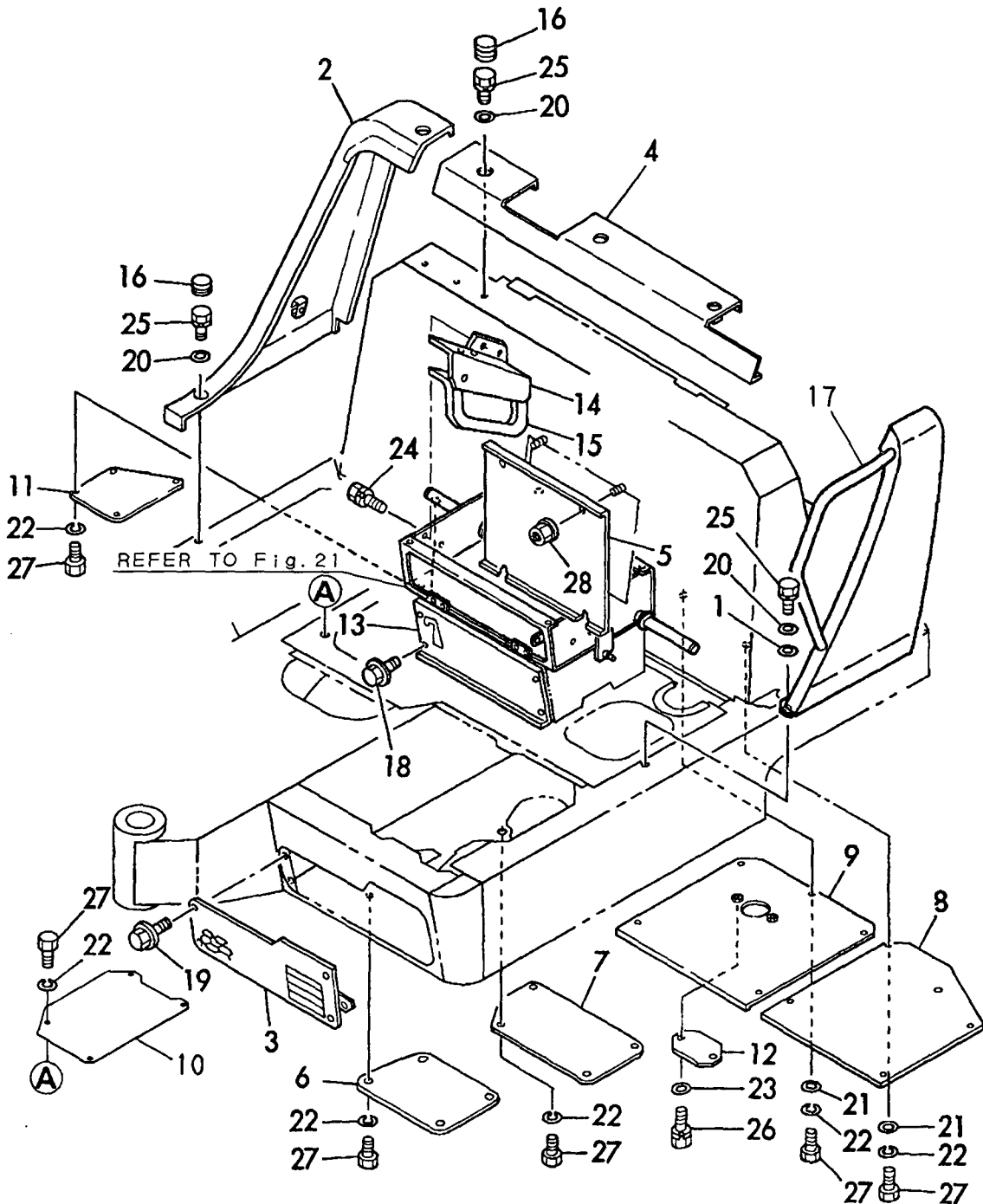
1,1,,172141-37501,,PLATE,4,,,,,,,,,,,,,,,,,,,,,
2,1,,26013-100302,, "BOLT M10X 30",8,,,,,,,,,,,,,,,,,,,,,
3,1,,172141-50103,, "FRAME ASSY, LOWER",1,,,,,,,,,,,,,,,,,,,,,
4,1,,172141-50750,, "COVER, MOTOR",2,,,,,,,,,,,,,,,,,,,,,
5,1,,172141-50762-1,, "COVER, UNDER",1,,,,,,,,,,,,,,,,,,,,,
6,1,,172141-50890,,GROMMET,2,,,,,,,,,,,,,,,,,,,,,
7,1,,22217-100000,, "SPRING WASHER 10",6,,,,,,,,,,,,,,,,,,,,,
8,1,,22217-120000,, "SPRING WASHER",4,,,,,,,,,,,,,,,,,,,,,
9,1,,26116-100202,, "BOLT M10X 20 PLATED",6,,,,,,,,,,,,,,,,,,,,,
10,1,,26116-120252,, "BOLT M12X 25 PLATED",4,,,,,,,,,,,,,,,,,,,,,
11,1,,172730-05250,, "WASHER 12",12,,,,,,,,,,,,,,,,,,,,,
12,1,,172141-50901,, "GUARD, SHOE",4,,,,,,,,,,,,,,,,,,,,,
13,1,,26013-120452,, "BOLT M12X 45",12,,,,,,,,,,,,,,,,,,,,,
14,1,,172730-05250,, "WASHER 12",9,,,,,,,,,,,,,,,,,,,,,
15,1,,172131-37170,, "BOLT M12X 30",7,,,,,,,,,,,,,,,,,,,,,
16,1,,172168-53300,, "WEIGHT L",1,,,,,,,,,,,,,,,,,,,,,
17,1,,172171-53310,, "WEIGHT,CENTER",1,,,,,,,,,,,,,,,,,,,,,
18,1,,172171-53340,, "WEIGHT,SIDE(L)",1,,,,,,,,,,,,,,,,,,,,,
19,1,,172141-53350,, "GROMMET 26",6,,,,,,,,,,,,,,,,,,,,,
20,1,,172168-53350,, "WEIGHT R",1,,,,,,,,,,,,,,,,,,,,,
21,1,,172171-53350,, "WEIGHT,SIDE(R)",1,,,,,,,,,,,,,,,,,,,,,
22,1,,172168-53450,, "BOLT 12X70",2,,,,,,,,,,,,,,,,,,,,,
23,1,,22217-120000,, "SPRING WASHER",11,,,,,,,,,,,,,,,,,,,,,
24,1,,26116-120552,, "BOLT M12X 55 PLATED",2,,,,,,,,,,,,,,,,,,,,,
25,1,,172171-54102-4,, "FRAME,TURNING(GREEN)",1,,,,,,,,,,,,,,,,,,,,,
26,2,,172171-54750,, "BUSH 50X65",2,,,,,,,,,,,,,,,,,,,,,
27,2,,172165-81760,, "SEAL 50X60X4, DUST",2,,,,,,,,,,,,,,,,,,,,,
28,1,,24761-040000,, "NIPPLE B,GREASE",1,,,,,,,,,,,,,,,,,,,,,
29,1,,194940-24350,, "PIN 10X28,STRAIGHT",4,,,,,,,,,,,,,,,,,,,,,
30,1,,172141-57601,, "BEARING, SWING",1,,,,,,,,,,,,,,,,,,,,,
31,2,,172141-57610,, "SEAL KIT",1,,,,,,,,,,,,,,,,,,,,,
32,3,,172141-57620,, "SEAL, UPPER",1,,,,,,,,,,,,,,,,,,,,,
33,3,,172141-57630,, "SEAL,LOWER",1,,,,,,,,,,,,,,,,,,,,,
34,1,,172141-57650,, "BOLT M12X 55 PLATED",38,,,,,,,,,,,,,,,,,,,,,

Fig. 18 FRAME & TURNING BEARING



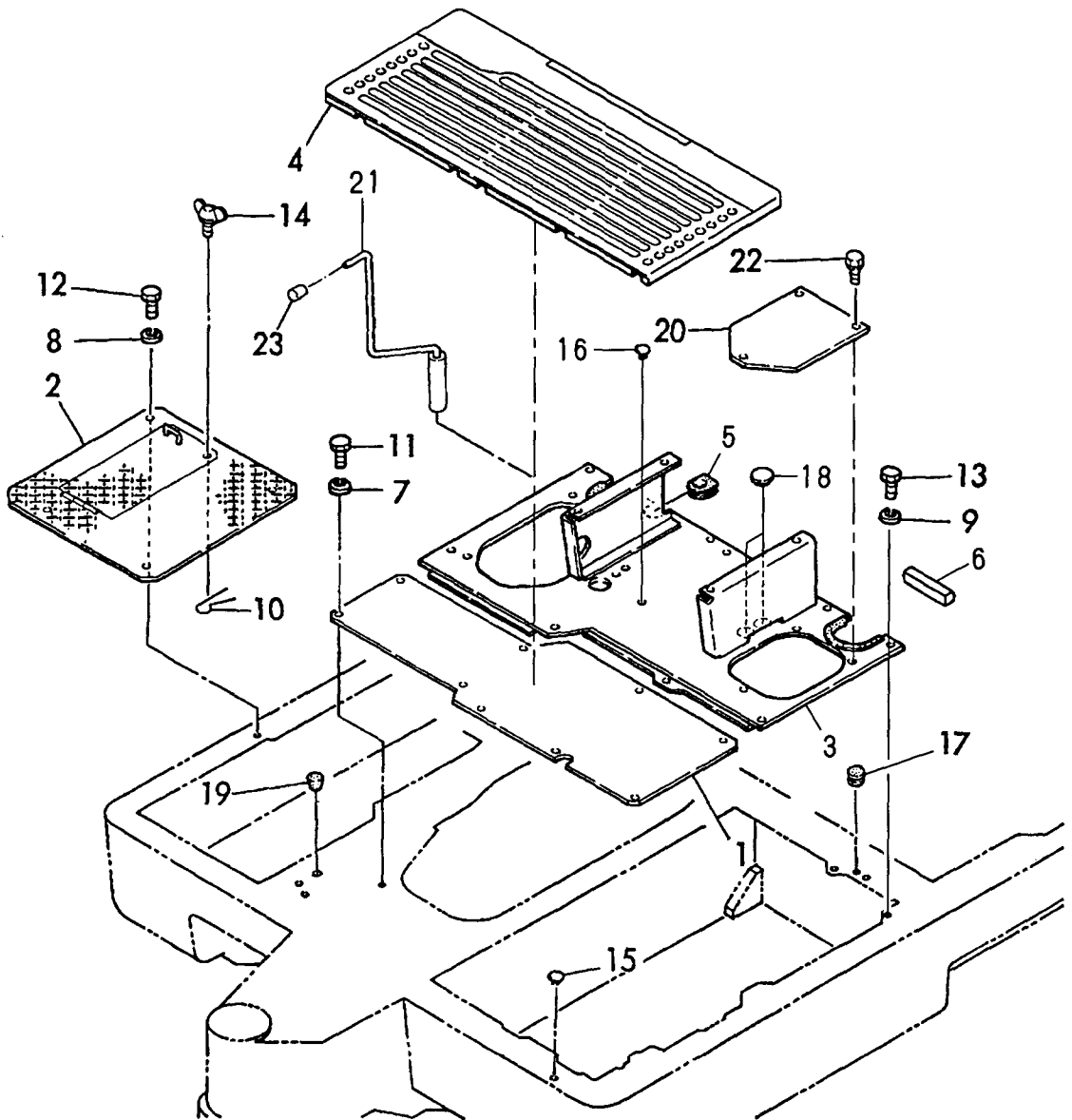
1,1,,194145-04810,, "WASHER 10",3,,,,,,,,,,,,,,,,,,,,,
2,1,,172165-61190-4,,COVER(GREEN:97),1,,,,,,,,,,,,,,,,,,,,,
3,1,,172168-61350-4,,COVER,1,,,,,,,,,,,,,,,,,,,,,
4,1,,172171-61400-4,, "COVER B",1,,,,,,,,,,,,,,,,,,,,,
5,1,,172165-61450-4,,COVER,1,,,,,,,,,,,,,,,,,,,,,
6,1,,172168-61500-4,, "PLATE A (GREEN:97)",1,,,,,,,,,,,,,,,,,,,,,
7,1,,172168-61510-4,, "PLATE B (GREEN:97)",1,,,,,,,,,,,,,,,,,,,,,
8,1,,172171-61520-4,, "PLATE C",1,,,,,,,,,,,,,,,,,,,,,
9,1,,172171-61530-4,, "PLATE D COMPL.",1,,,,,,,,,,,,,,,,,,,,,
10,1,,172428-61550,, "PLATE F",1,,,,,,,,,,,,,,,,,,,,,
11,1,,172171-61550-4,, "PLATE E",1,,,,,,,,,,,,,,,,,,,,,
12,1,,172168-61560-4,, "PLATE G (GREEN:97)",1,,,,,,,,,,,,,,,,,,,,,
13,1,,172165-61600,, "COVER,FRONT",1,,,,,,,,,,,,,,,,,,,,,
14,1,,172165-61701,, "COVER ASSY, BL LINK",1,,,,,,,,,,,,,,,,,,,,,
15,1,,172165-61720,,RUBBER,1,,,,,,,,,,,,,,,,,,,,,
16,1,,172186-81930,,PLUG,6,,,,,,,,,,,,,,,,,,,,,
17,1,,172165-61820-4,, "COVER L COMP.,SI",1,,,,,,,,,,,,,,,,,,,,,
18,1,,172519-63240,, "BOLT 8X 16",4,,,,,,,,,,,,,,,,,,,,,
19,1,,172519-63240,, "BOLT 8X 16",4,,,,,,,,,,,,,,,,,,,,,
20,1,,22137-100000,, "WASHER 10,POLISHED",9,,,,,,,,,,,,,,,,,,,,,
21,1,,22137-100000,, "WASHER 10,POLISHED",9,,,,,,,,,,,,,,,,,,,,,
22,1,,22217-100000,, "SPRING WASHER 10",25,,,,,,,,,,,,,,,,,,,,,
23,1,,22217-100000,, "SPRING WASHER 10",2,,,,,,,,,,,,,,,,,,,,,
24,1,,26013-080162,, "BOLT W/WASHER M8X16",2,,,,,,,,,,,,,,,,,,,,,
25,1,,26013-100352,, "BOLT M10X 35",9,,,,,,,,,,,,,,,,,,,,,
26,1,,26116-100162,, "BOLT M10X 16 PLATED",2,,,,,,,,,,,,,,,,,,,,,
27,1,,26116-100202,, "BOLT M10X 20 PLATED",25,,,,,,,,,,,,,,,,,,,,,
28,1,,26367-100002,, "U-NUT M10",4,,,,,,,,,,,,,,,,,,,,,

Fig. 19 FRAME COVER



1,1,,172165-62100,,STEP,1,,,,,,,,,,,,,,,,,,,,,
2,1,,172171-62100-4,,,"STEP A",1,,,,,,,,,,,,,,,,,,,,,
3,1,,172428-62600,,,"STEP C ASSY,SI",1,,,,,,,,,,,,,,,,,,,,,
4,1,,172168-62201,,,"MAT, FLOOR",1,,,,,,,,,,,,,,,,,,,,,
5,1,,172165-62800,,,"GROMMET 26",1,,,,,,,,,,,,,,,,,,,,,
6,1,,172165-62630,,,"RUBBER 90,EDGE",1,,,,,,,,,,,,,,,,,,,,,
7,1,,22217-100000,,,"SPRING WASHER 10",9,,,,,,,,,,,,,,,,,,,,,
8,1,,22217-100000,,,"SPRING WASHER 10",4,,,,,,,,,,,,,,,,,,,,,
9,1,,22217-100000,,,"SPRING WASHER 10",7,,,,,,,,,,,,,,,,,,,,,
10,1,,22411-300200,,,"COTTER PIN 3.0X20",1,,,,,,,,,,,,,,,,,,,,,
11,1,,26116-100202,,,"BOLT M10X 20 PLATED",9,,,,,,,,,,,,,,,,,,,,,
12,1,,26116-100202,,,"BOLT M10X 20 PLATED",4,,,,,,,,,,,,,,,,,,,,,
13,1,,26116-100202,,,"BOLT M10X 20 PLATED",7,,,,,,,,,,,,,,,,,,,,,
14,1,,172142-62300,,,"WING BOLT M10X15",1,,,,,,,,,,,,,,,,,,,,,
15,1,,172122-17190,,CLIP,5,,,,,,,,,,,,,,,,,,,,,
16,1,,172122-17190,,CLIP,4,,,,,,,,,,,,,,,,,,,,,
17,1,,172157-54850,,,"GROMMET 18",1,,,,,,,,,,,,,,,,,,,,,
18,1,,172151-62240,,GROMMET,2,,,,,,,,,,,,,,,,,,,,,
19,1,,172165-68250,,,"PLUG,RUBBER",1,,,,,,,,,,,,,,,,,,,,,
20,1,,172165-62300,,,"STEP D",1,,,,,,,,,,,,,,,,,,,,,
21,1,,172171-58800,,,"PIN, LOCK",1,,,,,,,,,,,,,,,,,,,,,
22,1,,26013-100202,,,"BOLT W/WASHER M10X20",3,,,,,,,,,,,,,,,,,,,,,
23,1,,172116-46630,,,"KNOB, LOCK LEVER",1,,,,,,,,,,,,,,,,,,,,,

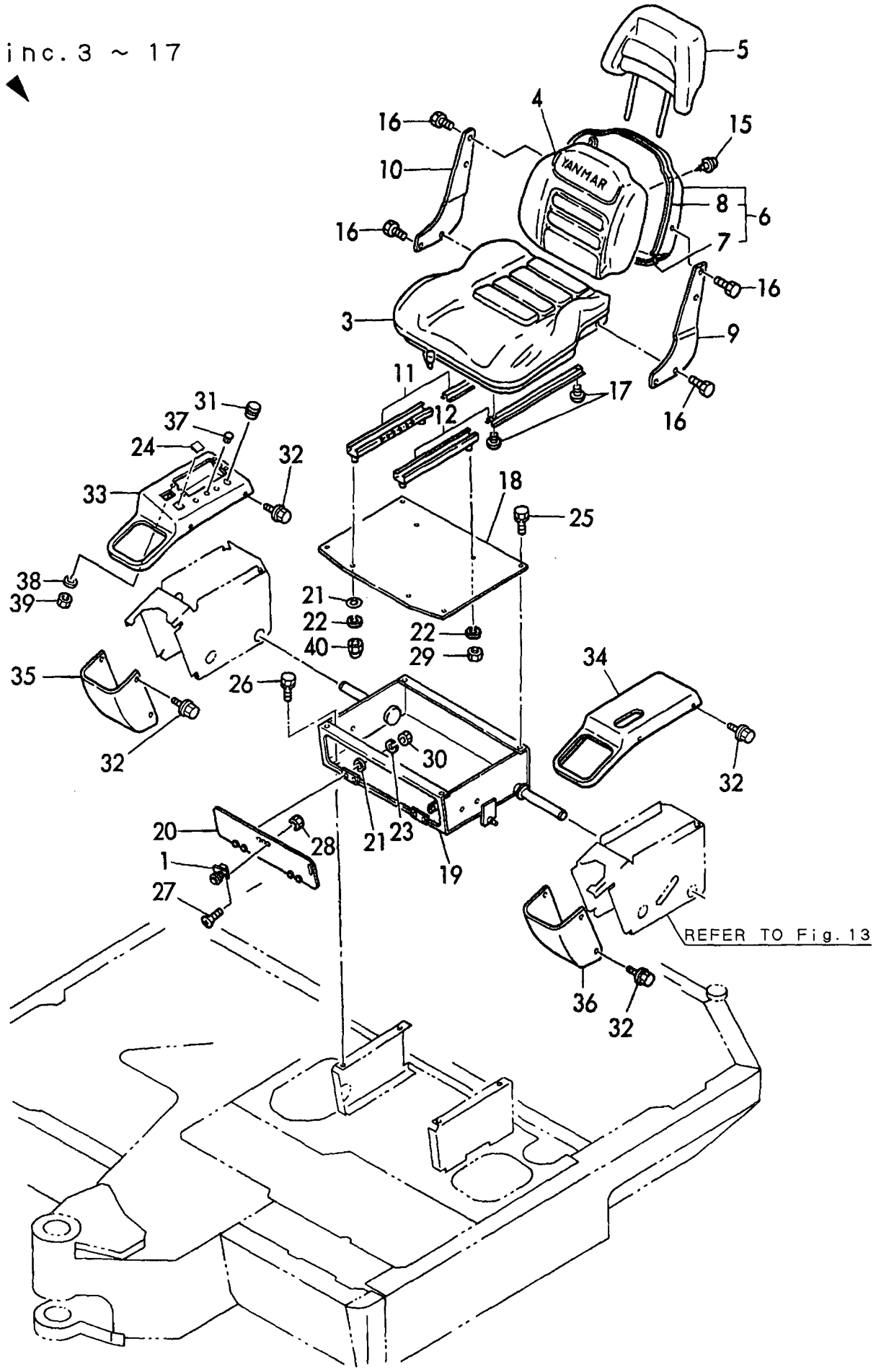
Fig. 20 STEP



1,1,,172212-61230,, "FASTENER, DIAL",1,,,,,,,,,,,,,
2,1,,172162-64200,, "SEAT, OPERATOR",1,,,,,,,,,,,,,
3,2,,172162-64210,, "CUSHION ASSY",1,,,,,,,,,,,,,
4,2,,172162-64220,, "BACK ASSY",1,,,,,,,,,,,,,
5,2,,172162-64230,, "BACK (B) ASSY",1,,,,,,,,,,,,,
6,2,,172162-64240,, "PANEL, BACK",1,,,,,,,,,,,,,
7,3,,172162-64320,, "RUBBER A, EDGE",1,,,,,,,,,,,,,
8,3,,172162-64330,, "RUBBER B, EDGE",1,,,,,,,,,,,,,
9,2,,172162-64250,, "BRACKET L, SIDE",1,,,,,,,,,,,,,
10,2,,172162-64260,, "BRACKET R, SIDE",1,,,,,,,,,,,,,
11,2,,172162-64270,, "ADJUSTER",1,,,,,,,,,,,,,
12,2,,172162-64280,, "ADJUSTER",1,,,,,,,,,,,,,
15,2,,172162-64310,, "SCREW M5X10, TAPPING",3,,,,,,,,,,,,,
16,2,,26013-080202,, "BOLT W/WASHER M8X20",8,,,,,,,,,,,,,
17,2,,26022-080162,, "SCREW M 8X 16",4,,,,,,,,,,,,,
18,1,,172165-64691,, "PLATE, SEAT",1,,,,,,,,,,,,,
19,1,,172165-64801,, "MOUNT, SEAT",1,,,,,,,,,,,,,
20,1,,172165-64601,, "COVER, MOUNT",1,,,,,,,,,,,,,
21,1,,22137-080000,, "WASHER 8, POLISHED",6,,,,,,,,,,,,,
22,1,,22217-080000,, "SPRING WASHER 8",4,,,,,,,,,,,,,
23,1,,22217-080000,, "SPRING WASHER 8",4,,,,,,,,,,,,,
24,1,,172165-63660,, "CAP",1,,,,,,,,,,,,,
25,1,,26013-100202,, "BOLT W/WASHER M10X20",4,,,,,,,,,,,,,
26,1,,26013-100202,, "BOLT W/WASHER M10X20",4,,,,,,,,,,,,,
27,1,,26577-050122,, "SCREW M 5X 12",2,,,,,,,,,,,,,
28,1,,26716-050002,, "NUT M 5",2,,,,,,,,,,,,,
29,1,,26716-080002,, "NUT M 8",2,,,,,,,,,,,,,
30,1,,26716-080002,, "NUT M 8",4,,,,,,,,,,,,,
31,1,,194300-21460,, "CAP",1,,,,,,,,,,,,,
32,1,,172519-63240,, "BOLT 8X 16",16,,,,,,,,,,,,,
33,1,,172165-63501,, "PANEL(R), INST(SI",1,,,,,,,,,,,,,
34,1,,172165-63550,, "PANEL(L), INSTRUMENT",1,,,,,,,,,,,,,
35,1,,172165-63600,, "COVER (R)",1,,,,,,,,,,,,,
36,1,,172165-63620,, "COVER (L)",1,,,,,,,,,,,,,
37,1,,172165-63650,, "PLUG 10, HOLE",3,,,,,,,,,,,,,
38,1,,22137-040000,, "WASHER 4, POLISHED",4,,,,,,,,,,,,,
39,1,,26716-040002,, "NUT M 4",4,,,,,,,,,,,,,
40,1,,172165-64770,, "NUT",2,,,,,,,,,,,,,

Fig. 21 SEAT & SEAT MOUNT

2 inc. 3 ~ 17

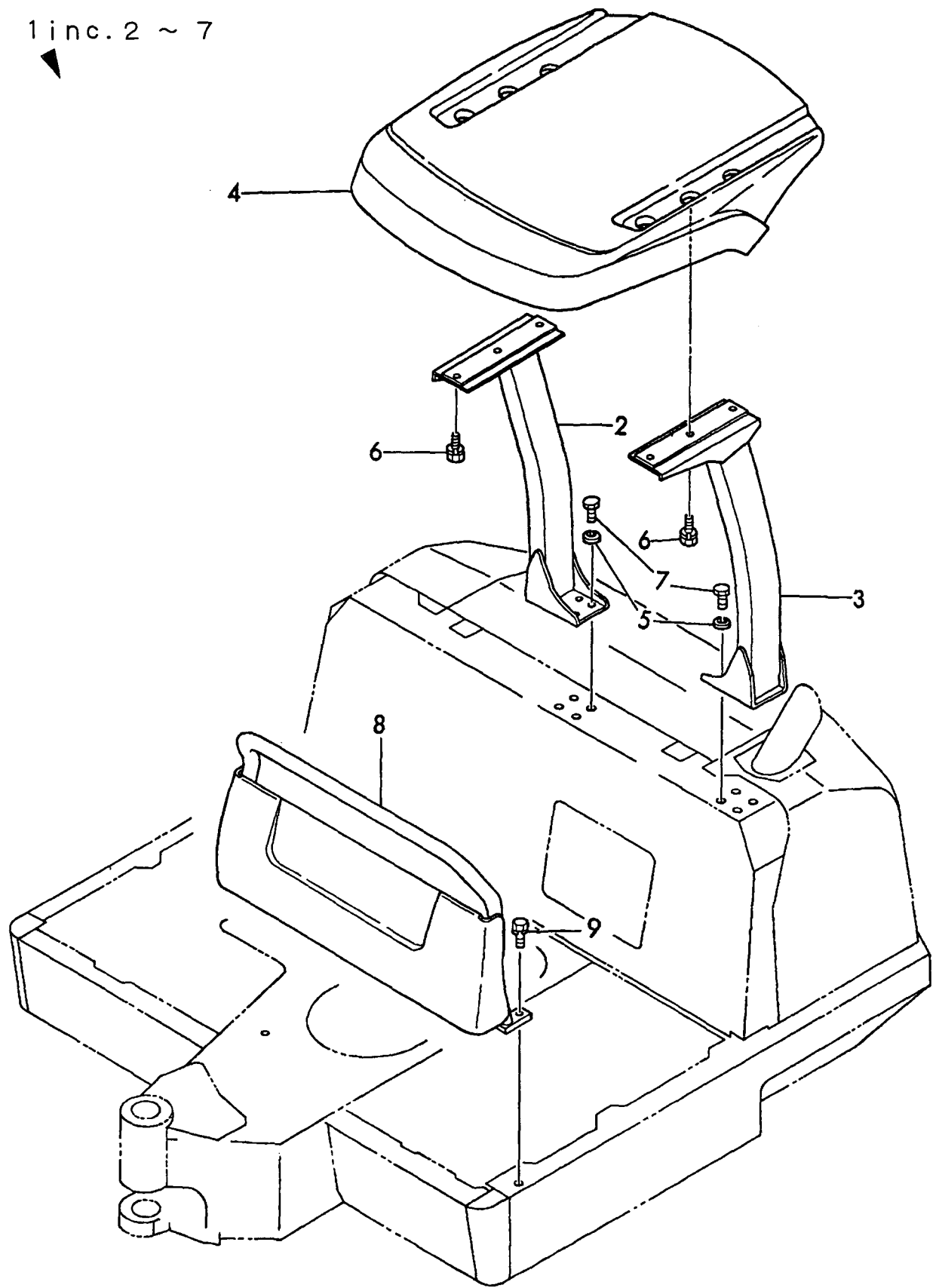


1,1,,194145-04810,, "WASHER 10",4,,,,,,,,,,,,,,,,,,,,,
2,1,,194145-04810,, "WASHER 10",6,,,,,,,,,,,,,,,,,,,,,
3,1,,194145-04810,, "WASHER 10",4,,,,,,,,,,,,,,,,,,,,,
4,1,,172171-65100-4,, "BONNET (GREEN)",1,,,,,,,,,,,,,,,,,,,,,
6,2,,172171-65780,, "RUBBER,SEAL C",1,,,,,,,,,,,,,,,,,,,,,
7,2,,172168-65790,, RUBBER,1,,,,,,,,,,,,,,,,,,,,,
8,2,,172171-65820,, "RUBBER,SEAL D",1,,,,,,,,,,,,,,,,,,,,,
9,2,,172171-65850,, "RUBBER,SEAL K",1,,,,,,,,,,,,,,,,,,,,,
10,1,,172168-65200,, "PIPE, EXH.EXTENSION",1,,,,,,,,,,,,,,,,,,,,,
11,1,,172168-65260,, "SPRING,GAS",1,,,,,,,,,,,,,,,,,,,,,
12,1,,172734-65260,, "PIN, BONNET LEVER",1,,,,,,,,,,,,,,,,,,,,,
13,1,,172734-65270,, "SPRING, CATCH",1,,,,,,,,,,,,,,,,,,,,,
14,1,,172171-65300-4,, "BONNET (GREEN)",1,,,,,,,,,,,,,,,,,,,,,
16,2,,172168-65760,, RUBBER,1,,,,,,,,,,,,,,,,,,,,,
17,1,,172124-65450,, "LEVER, LOCK",1,,,,,,,,,,,,,,,,,,,,,
18,1,,172171-65451-4,, "BONNET A",1,,,,,,,,,,,,,,,,,,,,,
20,2,,172168-65750,, RUBBER,1,,,,,,,,,,,,,,,,,,,,,
21,1,,172126-65460,, HOOK,1,,,,,,,,,,,,,,,,,,,,,
22,1,,172124-65480,, CATCHER,1,,,,,,,,,,,,,,,,,,,,,
23,1,,172124-65490,, "PLATE,CATCH",1,,,,,,,,,,,,,,,,,,,,,
24,1,,172126-65500,, KEY,1,,,,,,,,,,,,,,,,,,,,,
25,2,,172126-65571,, "WASHER LOCK",1,,,,,,,,,,,,,,,,,,,,,
26,2,,26347-100002,, "U-NUT M10",1,,,,,,,,,,,,,,,,,,,,,
27,1,,172171-65601-4,, "DUCT ASSY",1,,,,,,,,,,,,,,,,,,,,,
28,1,,172171-65650-4,, BRACKET,1,,,,,,,,,,,,,,,,,,,,,
29,1,,172168-65740,, SEAL,1,,,,,,,,,,,,,,,,,,,,,
30,1,,172171-65830,, "RUBBER,SEAL E",1,,,,,,,,,,,,,,,,,,,,,
31,1,,22137-080000,, "WASHER 8, POLISHED",2,,,,,,,,,,,,,,,,,,,,,
32,1,,22137-100000,, "WASHER 10,POLISHED",2,,,,,,,,,,,,,,,,,,,,,
33,1,,22137-100000,, "WASHER 10,POLISHED",3,,,,,,,,,,,,,,,,,,,,,
34,1,,22217-080000,, "SPRING WASHER 8",2,,,,,,,,,,,,,,,,,,,,,
35,1,,22217-080000,, "SPRING WASHER 8",3,,,,,,,,,,,,,,,,,,,,,
36,1,,22217-100000,, "SPRING WASHER 10",2,,,,,,,,,,,,,,,,,,,,,
37,1,,22217-100000,, "SPRING WASHER 10",3,,,,,,,,,,,,,,,,,,,,,
38,1,,22417-200200,, "COTTER PIN 2.0X20",2,,,,,,,,,,,,,,,,,,,,,
39,1,,22417-200200,, "COTTER PIN 2.0X20",2,,,,,,,,,,,,,,,,,,,,,
40,1,,26013-100252,, "BOLT W/WASHER M10X25",4,,,,,,,,,,,,,,,,,,,,,
41,1,,26013-100252,, "BOLT W/WASHER M10X25",6,,,,,,,,,,,,,,,,,,,,,
42,1,,26013-100252,, "BOLT W/WASHER M10X25",4,,,,,,,,,,,,,,,,,,,,,
43,1,,26013-120352,, "BOLT M12X 35",5,,,,,,,,,,,,,,,,,,,,,
44,1,,26116-080162,, "BOLT 8X16",3,,,,,,,,,,,,,,,,,,,,,
45,1,,26116-080202,, "BOLT M 8X 20 PLATED",2,,,,,,,,,,,,,,,,,,,,,
46,1,,26116-100202,, "BOLT M10X 20 PLATED",2,,,,,,,,,,,,,,,,,,,,,
47,1,,26116-100202,, "BOLT M10X 20 PLATED",3,,,,,,,,,,,,,,,,,,,,,
48,1,,933152-02900,, WASHER,2,,,,,,,,,,,,,,,,,,,,,
49,1,,933110-00301,, "KEY ASSY",1,,,,,,,,,,,,,,,,,,,,,

1,1,,772165-68100-4,, "CANOPY ASSY",1,,,,,,,,,,,,,,,,,,,,,
2,2,,172165-68100-4,, "POLE ASSY,CANOPY R",1,,,,,,,,,,,,,,,,,,,,,
3,2,,172165-68110-4,, "POLE ASSY,CANOPY L",1,,,,,,,,,,,,,,,,,,,,,
4,2,,172429-68300,, "ROOF,CANOPY",1,,,,,,,,,,,,,,,,,,,,,
5,2,,22217-140000,, "SPRING WASHER 14",8,,,,,,,,,,,,,,,,,,,,,
6,2,,26013-120402,, "BOLT M12X 40",6,,,,,,,,,,,,,,,,,,,,,
7,2,,172165-68180,, "BOLT, M14X 35",8,,,,,,,,,,,,,,,,,,,,,
8,1,,172165-68200-4,, "CANOPY F",1,,,,,,,,,,,,,,,,,,,,,
9,1,,26013-120352,, "BOLT M12X 35",2,,,,,,,,,,,,,,,,,,,,,

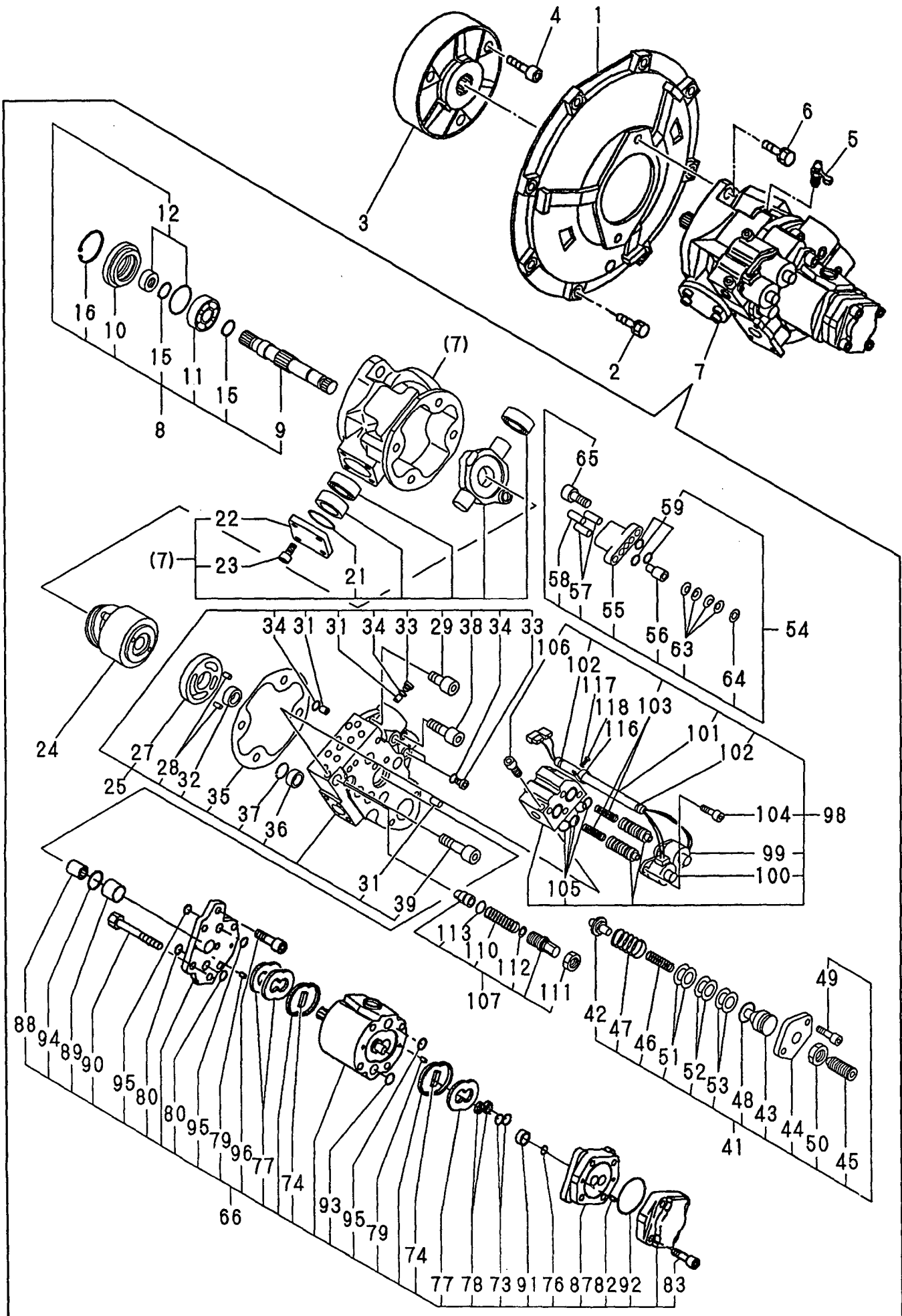
Fig. 23 CANOPY

1 inc. 2 ~ 7



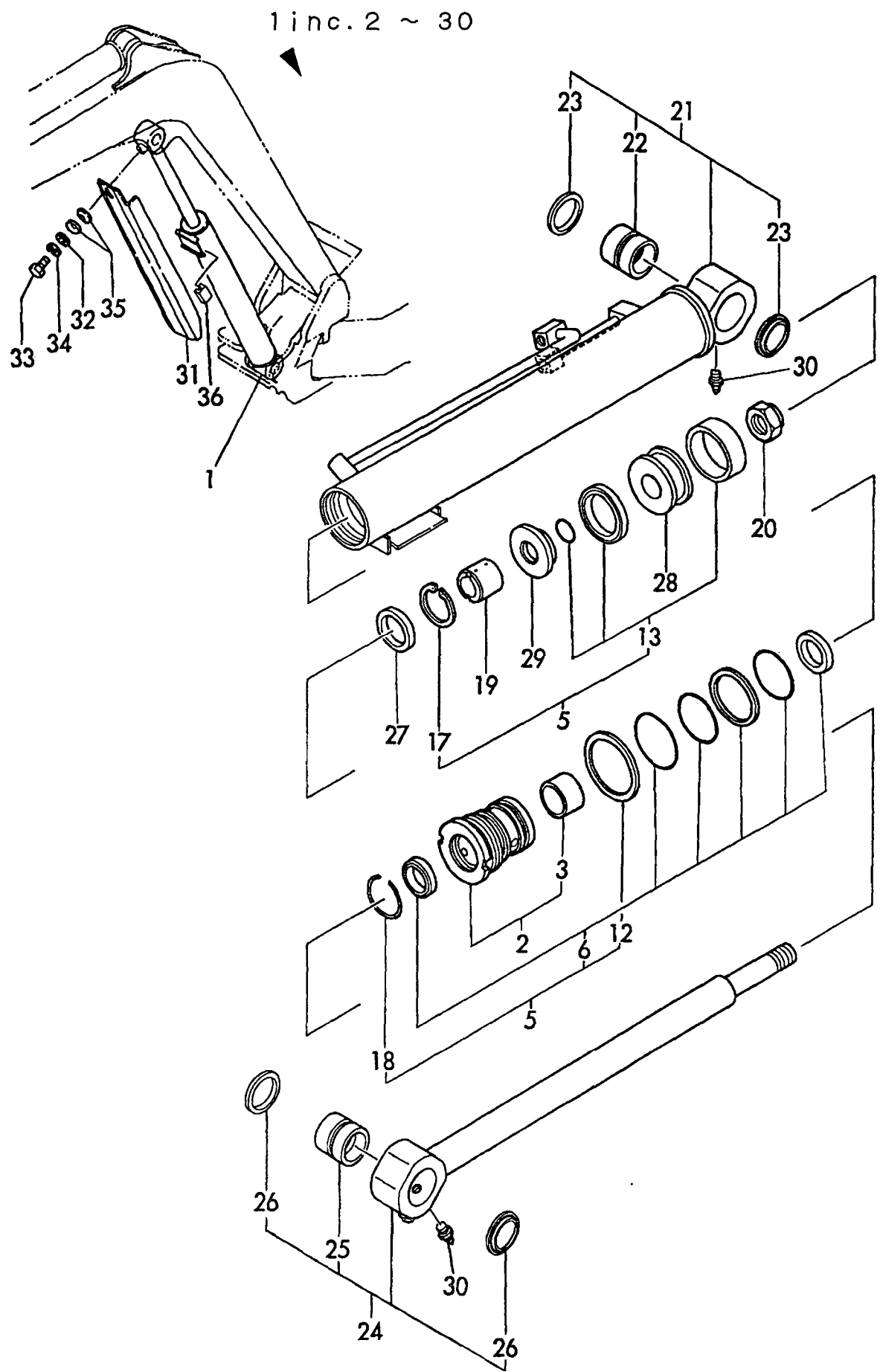
87,3,,172164-73770,, "FRAME, MIDDLE",1,,,,,,,,,,,,,
88,3,,172164-73830,, COUPLING,1,,,,,,,,,,,,,
89,3,,172164-73840,, BUSH,1,,,,,,,,,,,,,
90,3,,172164-73850,, "HEX.HEAD BOLT",4,,,,,,,,,,,,,
91,3,,172164-73870,, COUPLING,1,,,,,,,,,,,,,
92,3,,172165-73870,, O-RING,1,,,,,,,,,,,,,
93,3,,172164-73880,, O-RING,1,,,,,,,,,,,,,
94,3,,172164-73890,, O-RING,1,,,,,,,,,,,,,
95,3,,24315-000100,, "O-RING 1B P-10.0",3,,,,,,,,,,,,,
96,3,,26450-100252,, "BOLT M10X 25",2,,,,,,,,,,,,,
98,2,,172164-73461,, VALVE,1,,,,,,,,,,,,,
99,3,,172164-73010,, "SOLENOID (A)",1,,,,,,,,,,,,,
100,3,,172164-73020,, "SOLENOID (B)",1,,,,,,,,,,,,,
101,3,,172164-73030,, COVER,1,,,,,,,,,,,,,
102,3,,172164-73040,, BAND,2,,,,,,,,,,,,,
103,3,,172162-74820,, SPRING,2,,,,,,,,,,,,,
104,3,,172162-74860,, BOLT,4,,,,,,,,,,,,,
105,3,,24311-000160,, "O-RING 1A P-16.0",4,,,,,,,,,,,,,
106,3,,26450-080252,, "BOLT M 8X 25",2,,,,,,,,,,,,,
107,2,,172164-73470,, "VALVE ASSY, RELIEF",1,,,,,,,,,,,,,
110,3,,172164-73380,, "SPRING, RETERN",1,,,,,,,,,,,,,
111,3,,172164-73390,, NUT,1,,,,,,,,,,,,,
112,3,,172164-73990,, SHIM,1,,,,,,,,,,,,,
113,3,,172141-74430,, O-RING,1,,,,,,,,,,,,,
116,2,,172164-73490,, CLAMP,1,,,,,,,,,,,,,
117,2,,172164-73500,, WASHER,1,,,,,,,,,,,,,
118,2,,172162-74860,, BOLT,1,,,,,,,,,,,,,

Fig. 24 HYD. OIL PUMP & JOINT



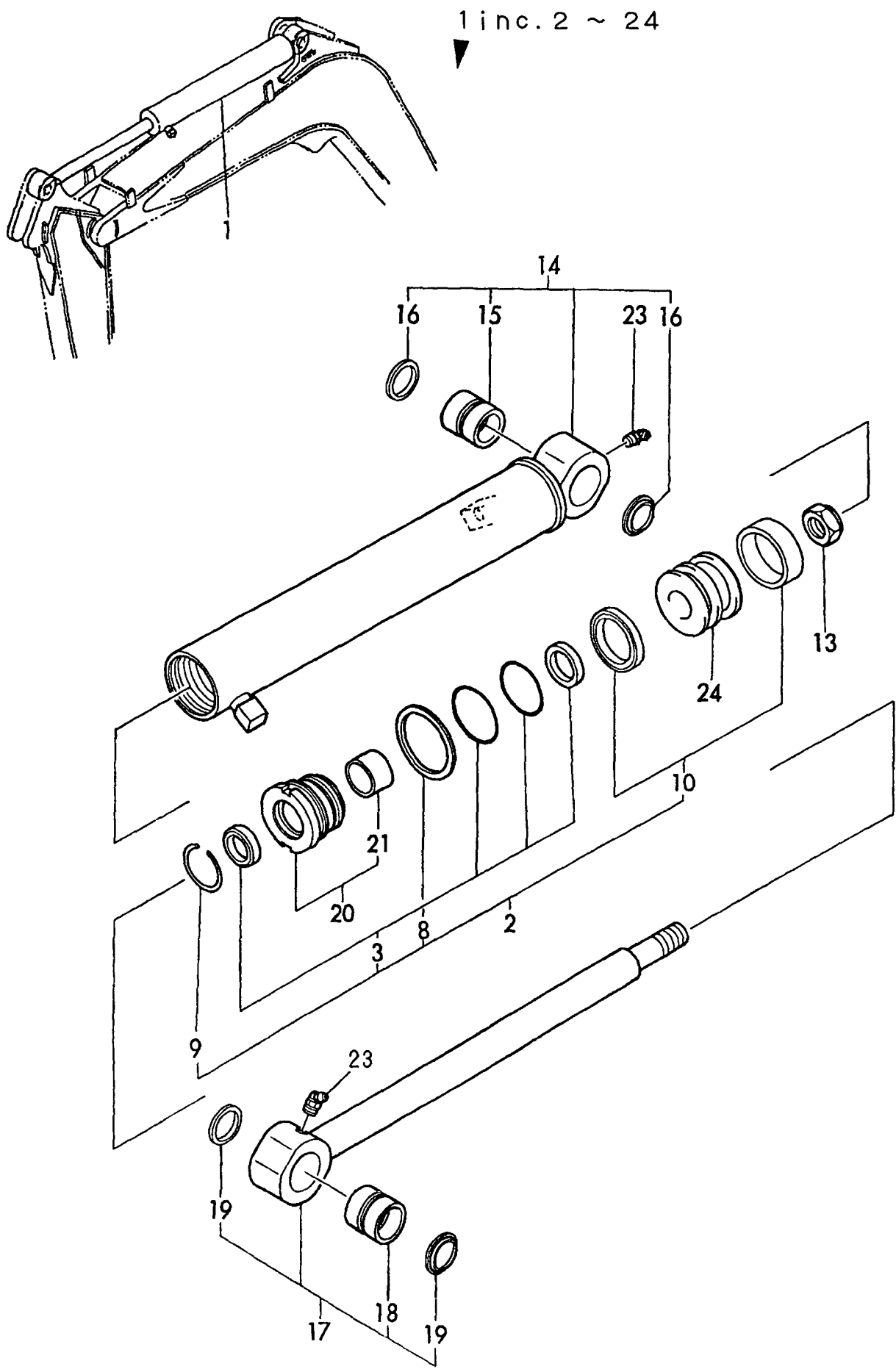
1,1,,172141-72273-4,, "CYLINDER,BOOM(GREEN)",1,,,,,,,,,,,,,
2,2,,172141-72140,, "HEAD 75 40",1,,,,,,,,,,,,,
3,3,,933135-14600,, "BUSH 40 30, ROD",1,,,,,,,,,,,,,
5,2,,172141-99350,, "CYLINDER KIT, BOOM",1,,,,,,,,,,,,,
6,3,,172141-71880,, "SEAL SET, HEAD",1,,,,,,,,,,,,,
12,3,,172141-72190,, "WASHER 75",1,,,,,,,,,,,,,
13,3,,172141-71911,, "SEAL SET, PISTON",1,,,,,,,,,,,,,
17,3,,22252-000561,, "CIRCLIP 56",1,,,,,,,,,,,,,
18,3,,933111-26600,, "RING 55, SPRING",1,,,,,,,,,,,,,
19,2,,172141-72220,, "PLUNGER 44C, CUSHION",1,,,,,,,,,,,,,
20,2,,172141-72250,, "U-NUT M27",1,,,,,,,,,,,,,
21,2,,172141-72282-4,, "TUBE,BOOM P (GREEN)",1,,,,,,,,,,,,,
22,3,,172143-72331,, "BUSH 38 50",1,,,,,,,,,,,,,
23,3,,172168-81270,, "SEAL,DUST 38X50X4",2,,,,,,,,,,,,,
24,2,,172141-72322,, "ROD COMP",1,,,,,,,,,,,,,
25,3,,172143-72331,, "BUSH 38 50",1,,,,,,,,,,,,,
26,3,,172168-81270,, "SEAL,DUST 38X50X4",2,,,,,,,,,,,,,
27,2,,172137-72730,, "RING 44B, CUSHION",1,,,,,,,,,,,,,
28,2,,172141-73051,, "PISTON 75 27 A",1,,,,,,,,,,,,,
29,2,,172141-73061,, "PISTON 75 27 B",1,,,,,,,,,,,,,
30,2,,24761-020000,, "NIPPLE PT1/8,GREASE",2,,,,,,,,,,,,,
31,1,,172141-72592-4,, "COVER,SLIDE",1,,,,,,,,,,,,,
32,1,,933147-03400,, "WASHER, BRAKE ARM",1,,,,,,,,,,,,,
33,1,,26116-100162,, "BOLT M10X 16 PLATED",1,,,,,,,,,,,,,
34,1,,22217-100000,, "SPRING WASHER 10",1,,,,,,,,,,,,,
35,1,,933168-14170,, "SPRING 16",2,,,,,,,,,,,,,
36,1,,172162-61770,, "GUIDE,SLIDE",2,,,,,,,,,,,,,

Fig. 25 BOOM CYLINDER



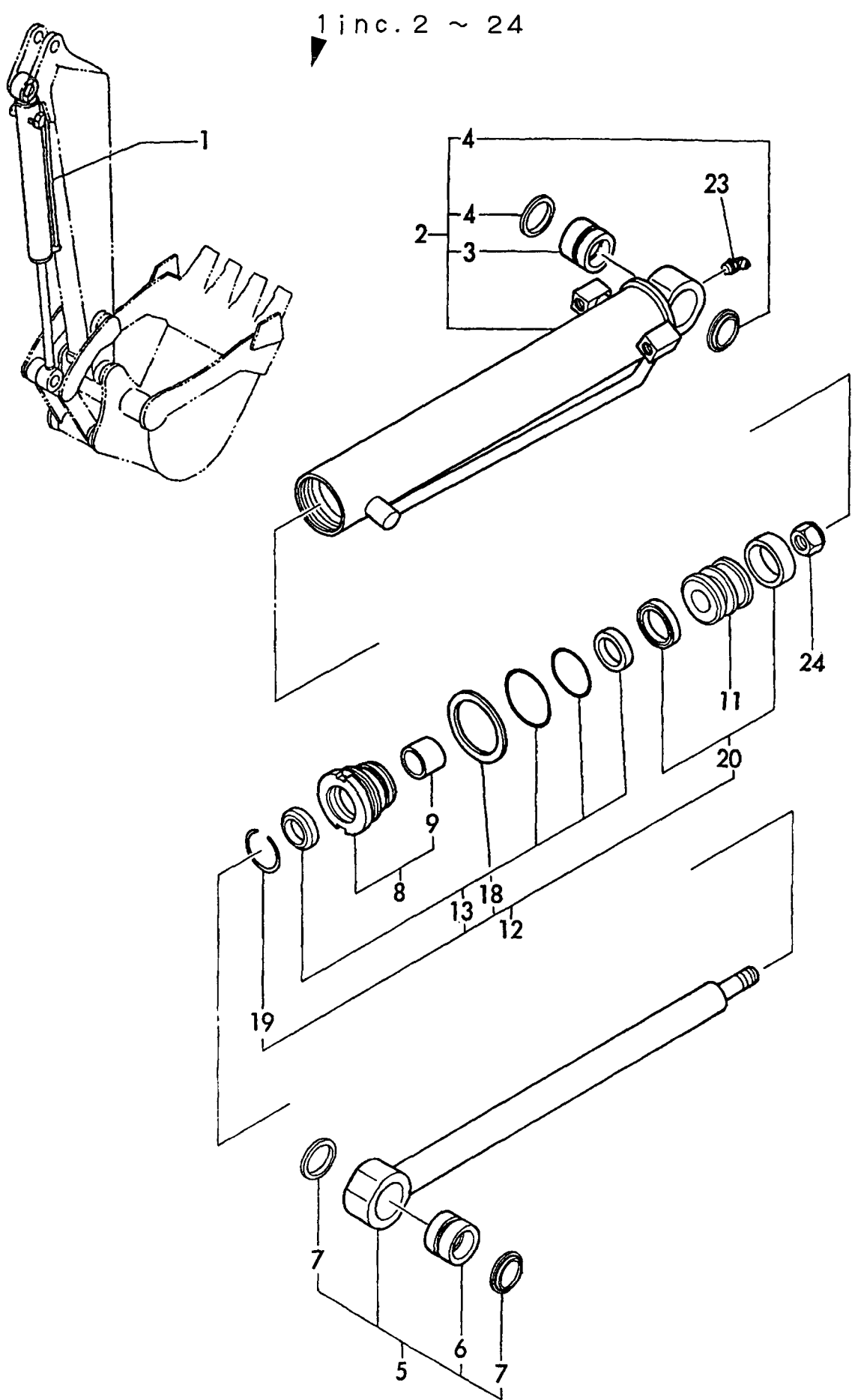
1,1,,172141-72351-4,, "CYLINDER,ARM (GREEN)",1,,,,,,,,,,,,,
2,2,,172141-99380,, "CYLINDER KIT, ARM",1,,,,,,,,,,,,,
3,3,,172141-71890,, "SEAL SET, CYL.HEAD",1,,,,,,,,,,,,,
8,3,,172141-72190,, "WASHER 75",1,,,,,,,,,,,,,
9,3,,933111-26600,, "RING 55, SPRING",1,,,,,,,,,,,,,
10,3,,172148-72930,, "SEAL SET, PISTON",1,,,,,,,,,,,,,
13,2,,172141-72250,, "U-NUT M27",1,,,,,,,,,,,,,
14,2,,172141-72361-4,, "TUBE,W/BUSH (GREEN)",1,,,,,,,,,,,,,
15,3,,172171-72150,, "BUSH 38X50X40",1,,,,,,,,,,,,,
16,3,,172168-81270,, "SEAL,DUST 38X50X4",2,,,,,,,,,,,,,
17,2,,172141-72381,, "ROD W/BUSH, ARM",1,,,,,,,,,,,,,
18,3,,172171-72150,, "BUSH 38X50X40",1,,,,,,,,,,,,,
19,3,,172168-81270,, "SEAL,DUST 38X50X4",2,,,,,,,,,,,,,
20,2,,172141-72690,, "HEAD 75 40 W/BUSH",1,,,,,,,,,,,,,
21,3,,933135-14600,, "BUSH 40 30, ROD",1,,,,,,,,,,,,,
23,2,,24761-040000,, "NIPPLE B,GREASE",2,,,,,,,,,,,,,
24,2,,172175-72470,, "PISTON 75",1,,,,,,,,,,,,,

Fig. 26 ARM CYLINDER



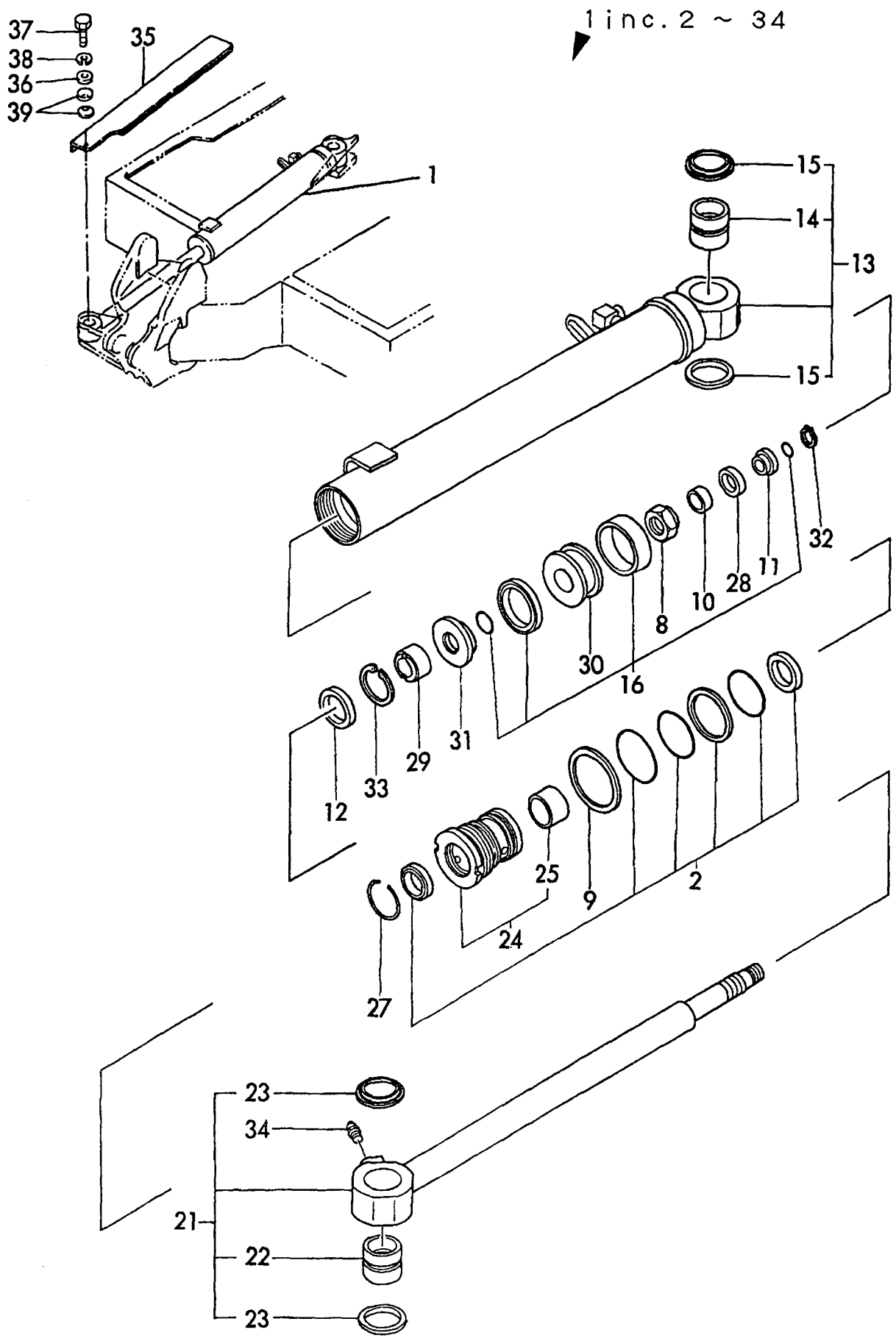
1,1,,172141-72451-4,, "CYLINDER, BUCKET(GREE",1,,,,,,,,,,,,,
2,2,,172141-72461-4,, "TUBE W/BUSH (GREEN)",1,,,,,,,,,,,,,
3,3,,172141-72561,, "BUSH 35 40 A, PIN",1,,,,,,,,,,,,,
4,3,,172171-81280,, "SEAL 35X45X4",2,,,,,,,,,,,,,
5,2,,172141-72511,, "ROD, BUCKET",1,,,,,,,,,,,,,
6,3,,172141-72561,, "BUSH 35 40 A, PIN",1,,,,,,,,,,,,,
7,3,,172171-81280,, "SEAL 35X45X4",2,,,,,,,,,,,,,
8,2,,172141-72540,, "HEAD 6035, CYLINDER",1,,,,,,,,,,,,,
9,3,,933111-01600,, "BUSH 35 30, ROD",1,,,,,,,,,,,,,
11,2,,172171-72120,, "PISTON",1,,,,,,,,,,,,,
12,2,,172149-99380,, "CYLINDER KIT, BUCKET",1,,,,,,,,,,,,,
13,3,,172141-71900,, "SEAL SET, HEAD",1,,,,,,,,,,,,,
18,3,,933125-59600,, "WASHER 60 B, LOCK",1,,,,,,,,,,,,,
19,3,,172141-73090,, "RING 50, SPRING",1,,,,,,,,,,,,,
20,3,,172137-72452,, "SEAL SET 60A, PISTON",1,,,,,,,,,,,,,
23,2,,24761-040000,, "NIPPLE B,GREASE",1,,,,,,,,,,,,,
24,2,,172171-72130,, "U-NUT M24",1,,,,,,,,,,,,,

Fig. 27 BUCKET CYLINDER



1,1,,172171-72200,, "CYLINDER COMP., SWING",1,,,,,,,,,,,,,
2,2,,172141-71880,, "SEAL SET, HEAD",1,,,,,,,,,,,,,
8,2,,172141-72250,, "U-NUT M27",1,,,,,,,,,,,,,
9,2,,172141-72190,, "WASHER 75",1,,,,,,,,,,,,,
10,2,,172137-72710,, "COLLAR 40B, CUSHION",1,,,,,,,,,,,,,
11,2,,172137-72720,, "COLLAR 40A, CUSHION",1,,,,,,,,,,,,,
12,2,,172137-72730,, "RING 44B, CUSHION",1,,,,,,,,,,,,,
13,2,,172171-72210,, "TUBE W/BUSH, SWING",1,,,,,,,,,,,,,
14,3,,172168-72240,, "BUSH 38X50X40",1,,,,,,,,,,,,,
15,3,,172168-81270,, "SEAL,DUST 38X50X4",2,,,,,,,,,,,,,
16,2,,172141-71921,, "SEAL SET,PISTON",1,,,,,,,,,,,,,
21,2,,172171-72350,, "ROD ASSY, SWING",1,,,,,,,,,,,,,
22,3,,172168-72240,, "BUSH 38X50X40",1,,,,,,,,,,,,,
23,3,,172168-81270,, "SEAL,DUST 38X50X4",2,,,,,,,,,,,,,
24,2,,172141-72140,, "HEAD 75 40",1,,,,,,,,,,,,,
25,3,,933135-14600,, "BUSH 40 30, ROD",1,,,,,,,,,,,,,
27,2,,933111-26600,, "RING 55, SPRING",1,,,,,,,,,,,,,
28,2,,172137-72700,, "RING 40A, CUSHION",1,,,,,,,,,,,,,
29,2,,172141-72930,, "PLUGER 44, CUSHION",1,,,,,,,,,,,,,
30,2,,172141-73051,, "PISTON 75 27 A",1,,,,,,,,,,,,,
31,2,,172141-73061,, "PISTON 75 27 B",1,,,,,,,,,,,,,
32,2,,172142-72810,, "CIRCLIP 22",1,,,,,,,,,,,,,
33,2,,22252-000561,, "CIRCLIP 56",1,,,,,,,,,,,,,
34,2,,24761-020000,, "NIPPLE PT1/8,GREASE",1,,,,,,,,,,,,,
35,1,,172171-72260-4,, "COVER ASSY, SWING",1,,,,,,,,,,,,,
36,1,,933147-03400,, "WASHER, BRAKE ARM",1,,,,,,,,,,,,,
37,1,,26116-100162,, "BOLT M10X 16 PLATED",1,,,,,,,,,,,,,
38,1,,22217-100000,, "SPRING WASHER 10",1,,,,,,,,,,,,,
39,1,,933168-14170,, "SPRING 16",2,,,,,,,,,,,,,

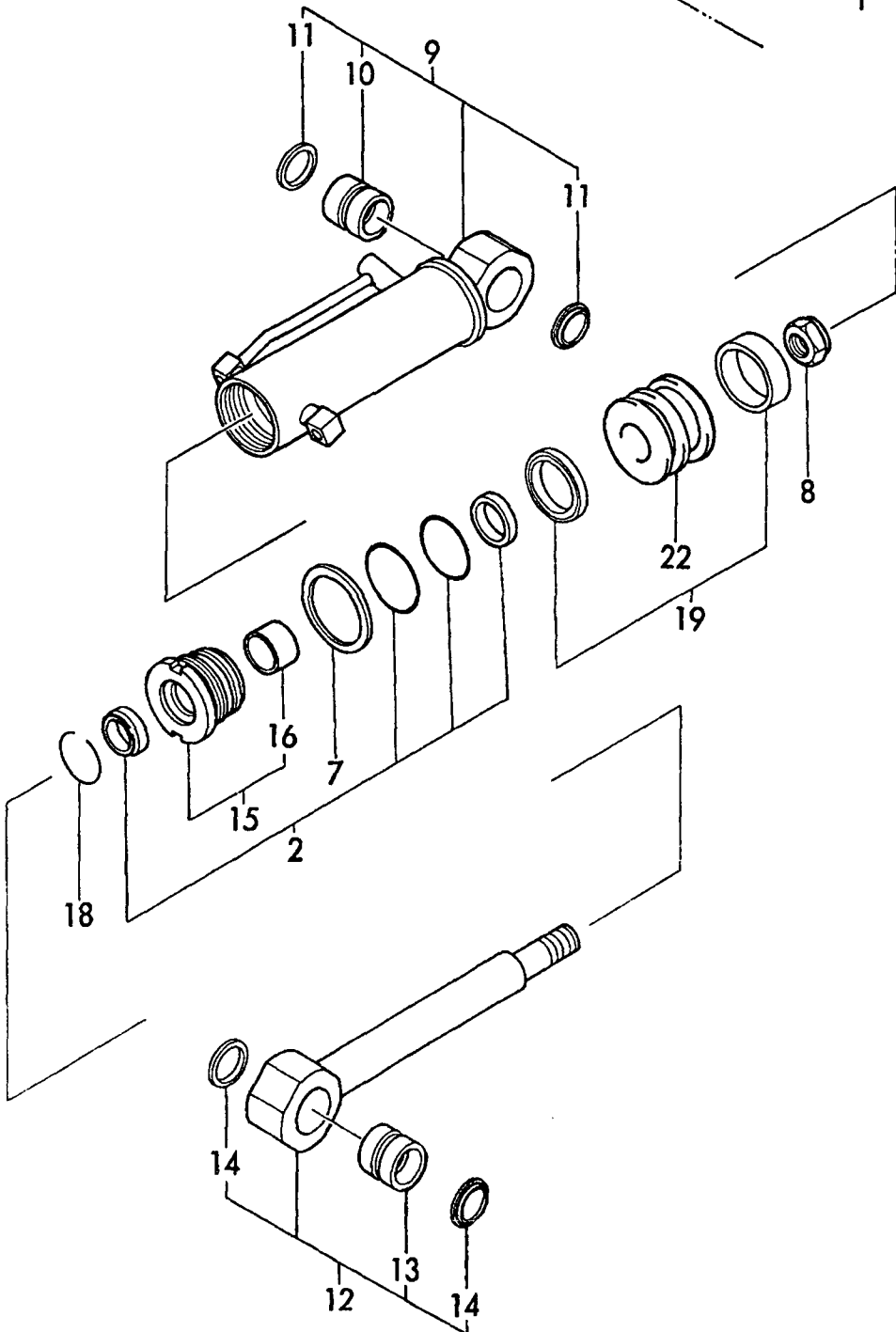
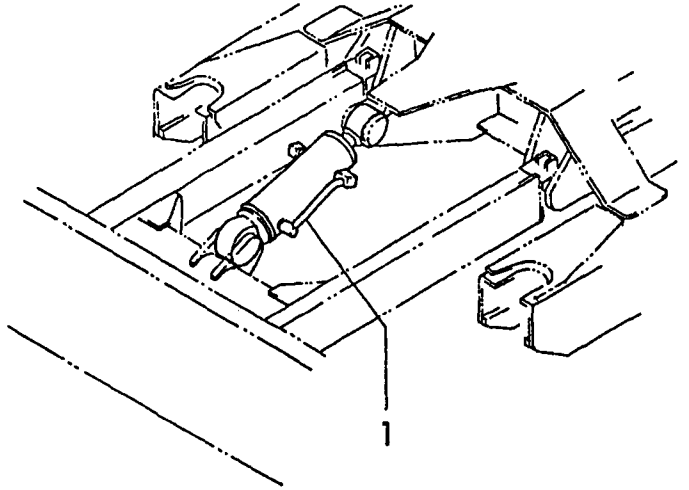
Fig. 28 SWING CYLINDER



1,1,,172141-72601,, "CYLINDER ASSY, BLADE",1,,,,,,,,,,,,,
2,2,,172141-71890,, "SEAL SET, CYL.HEAD",1,,,,,,,,,,,,,
7,2,,172141-72190,, "WASHER 75",1,,,,,,,,,,,,,
8,2,,172141-72250,, "U-NUT M27",1,,,,,,,,,,,,,
9,2,,172141-72611,, "TUBE ASSY, BLADE",1,,,,,,,,,,,,,
10,3,,172168-72240,, "BUSH 38X50X40",1,,,,,,,,,,,,,
11,3,,172168-81270,, "SEAL,DUST 38X50X4",2,,,,,,,,,,,,,
12,2,,172141-72671,, "ROD, BLADE",1,,,,,,,,,,,,,
13,3,,172168-72240,, "BUSH 38X50X40",1,,,,,,,,,,,,,
14,3,,172168-81270,, "SEAL,DUST 38X50X4",2,,,,,,,,,,,,,
15,2,,172141-72690,, "HEAD 75 40 W/BUSH",1,,,,,,,,,,,,,
16,3,,933135-14600,, "BUSH 40 30, ROD",1,,,,,,,,,,,,,
18,2,,933111-26600,, "RING 55, SPRING",1,,,,,,,,,,,,,
19,2,,172148-72930,, "SEAL SET, PISTON",1,,,,,,,,,,,,,
22,2,,172175-72470,, "PISTON 75",1,,,,,,,,,,,,,

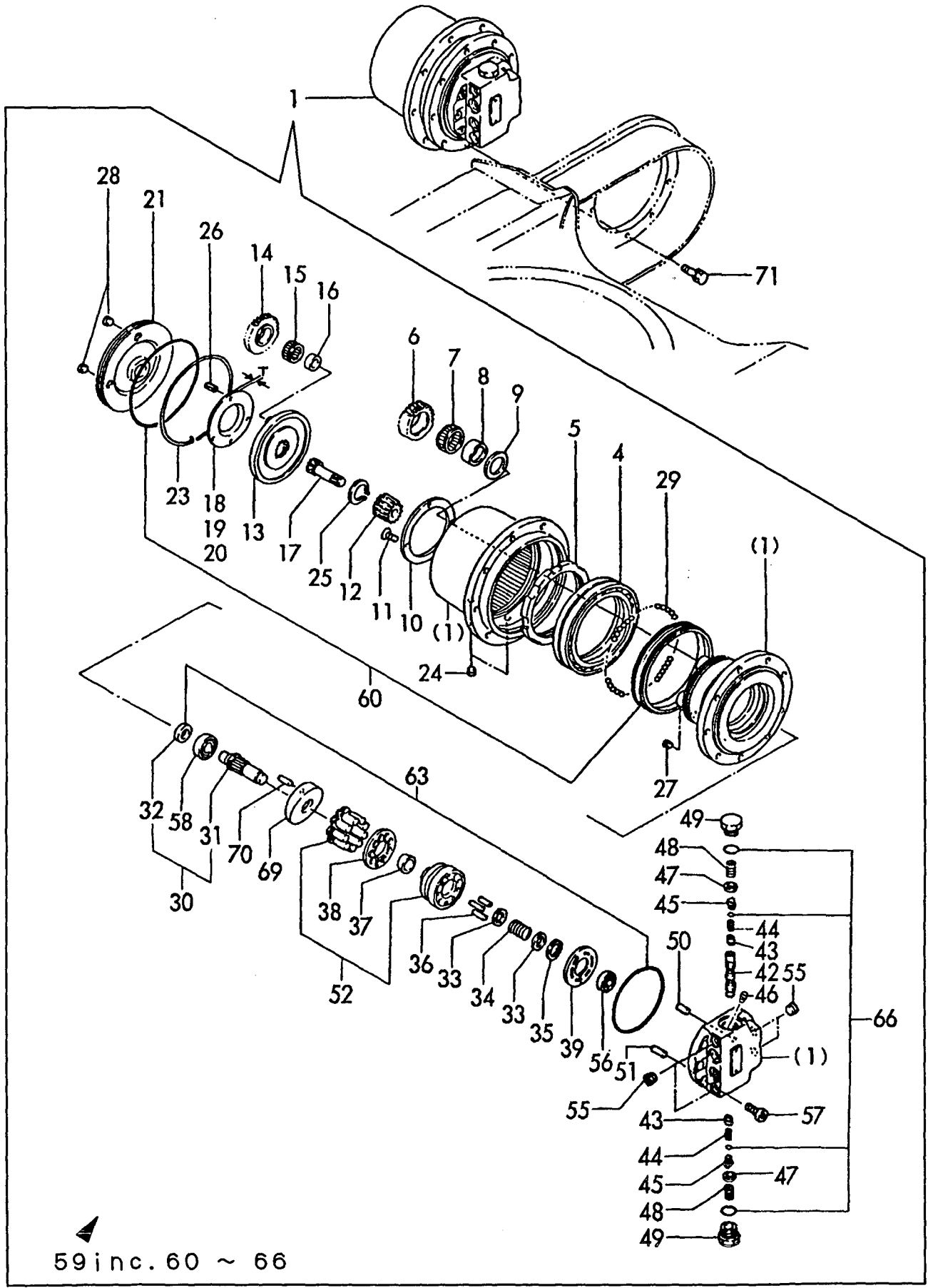
Fig. 29 BLADE CYLINDER

1 inc. 2 ~ 22



1,1,,172434-73350,, "MOTOR ASSY, TRAVEL",2,,,,,,,,,,,,,
4,3,,172141-70030,, "BEARING, ANGULAR",2,,,,,,,,,,,,,
5,3,,172141-70040,, "NUT, RING",2,,,,,,,,,,,,,
6,3,,172141-70060,, "GEAR(B), PLANETARY",8,,,,,,,,,,,,,
7,3,,172141-70070,, "CAGE & ROLLER",8,,,,,,,,,,,,,
8,3,,172141-70080,, "COLLAR",8,,,,,,,,,,,,,
9,3,,172141-70090,, "WASHER, THRUST",8,,,,,,,,,,,,,
10,3,,172141-70100,, "PLATE, THRUST",2,,,,,,,,,,,,,
11,3,,172141-70110,, "SCREW",8,,,,,,,,,,,,,
12,3,,172141-70120,, "GEAR, SUN",2,,,,,,,,,,,,,
13,3,,172141-70130,, "HOLDER",2,,,,,,,,,,,,,
14,3,,172141-70140,, "GEAR(A), PLANETARY",6,,,,,,,,,,,,,
15,3,,172141-70150,, "CAGE & ROLLER",6,,,,,,,,,,,,,
16,3,,172141-70160,, "INNER LACE",6,,,,,,,,,,,,,
17,3,,172141-70170,, "GEAR, DRIVE",2,,,,,,,,,,,,,
18,3,,172141-70180,, "PLATE(T1.8), THRUST",2,,,,,,,,,1,,,,,,,,,
19,3,,172141-70190,, "PLATE(T2.3), THRUST",2,,,,,,,,,1,,,,,,,,,
20,3,,172141-70200,, "PLATE(T2.8), THRUST",2,,,,,,,,,1,,,,,,,,,
21,3,,172141-70210,, "COVER",2,,,,,,,,,,,,,
23,3,,172141-70230,, "WIRE",2,,,,,,,,,,,,,
24,3,,172122-73430,, "PLUG",4,,,,,,,,,,,,,
25,3,,22242-000352,, "CIRCLIP 35",2,,,,,,,,,,,,,
26,3,,22351-050016,, "SPRING PIN 5X16",6,,,,,,,,,,,,,
27,3,,23871-020000,, "PLUG PT1/4,SCREW",4,,,,,,,,,,,,,
28,3,,23871-030000,, "PLUG PT3/8,SCREW",4,,,,,,,,,,,,,
29,3,,24190-050001,, "BALL 5/32",262,,,,,,,,,,,,,
30,2,,172142-73591,, "SHAFT ASSY",2,,,,,,,,,,,,,
31,3,,172171-70360,, "SHAFT",2,,,,,,,,,,,,,
32,3,,172638-73540,, "SEAL, OIL",2,,,,,,,,,,,,,
33,2,,172141-70290,, "HOLDER, SPRING",4,,,,,,,,,,,,,
34,2,,172141-70300,, "SPRING",2,,,,,,,,,,,,,
35,2,,172141-70310,, "SNAP RING",2,,,,,,,,,,,,,
36,2,,172141-70320,, "PIN",6,,,,,,,,,,,,,
37,2,,172141-70330,, "HOLDER, RETAINER",2,,,,,,,,,,,,,
38,2,,172141-70340,, "PLATE, RETAINER",2,,,,,,,,,,,,,
39,2,,172141-70360,, "PLATE, VALVE",2,,,,,,,,,,,,,
42,2,,172171-70320,, "PLUNGER",2,,,,,,,,,,,,,
43,2,,172141-70410,, "VALVE, CHECK",4,,,,,,,,,,,,,
44,2,,172171-70330,, "SPRING",4,,,,,,,,,,,,,
45,2,,172141-70430,, "PLUG",4,,,,,,,,,,,,,
46,2,,172171-70340,, "ORIFICE",4,,,,,,,,,,,,,
47,2,,172141-70450,, "SEAT, SPRING",4,,,,,,,,,,,,,
48,2,,172141-70460,, "SPRING",4,,,,,,,,,,,,,
49,2,,172141-70470,, "CAP",4,,,,,,,,,,,,,
50,2,,172141-70480,, "PIN",2,,,,,,,,,,,,,
51,2,,172141-70490,, "PIN",4,,,,,,,,,,,,,
52,2,,172141-70540,, "CYLINDER BLOCK S/A",2,,,,,,,,,,,,,
55,2,,23871-020000,, "PLUG PT1/4,SCREW",8,,,,,,,,,,,,,
56,2,,24101-060024,, "BALL BEARING",2,,,,,,,,,,,,,
57,2,,26450-080202,, "BOLT M 8X 20",12,,,,,,,,,,,,,
58,2,,24101-060040,, "BALL BEARING",2,,,,,,,,,,,,,
59,2,,172141-70500,, "SEAL ASSY",2,,,,,,,,,,,,,
60,3,,172141-70510,, "SEAL SET, REDUCTION",2,,,,,,,,,,,,,
63,3,,172141-70520,, "SEAL SET, MOTOR",2,,,,,,,,,,,,,
66,3,,172141-70530,, "SEAL SET, BASE PLATE",2,,,,,,,,,,,,,
69,2,,172141-70260,, "PLATE",2,,,,,,,,,,,,,
70,2,,172141-70270,, "PIN",2,,,,,,,,,,,,,
71,1,,26013-120302,, "BOLT W/WASHER M12X30",18,,,,,,,,,,,,,

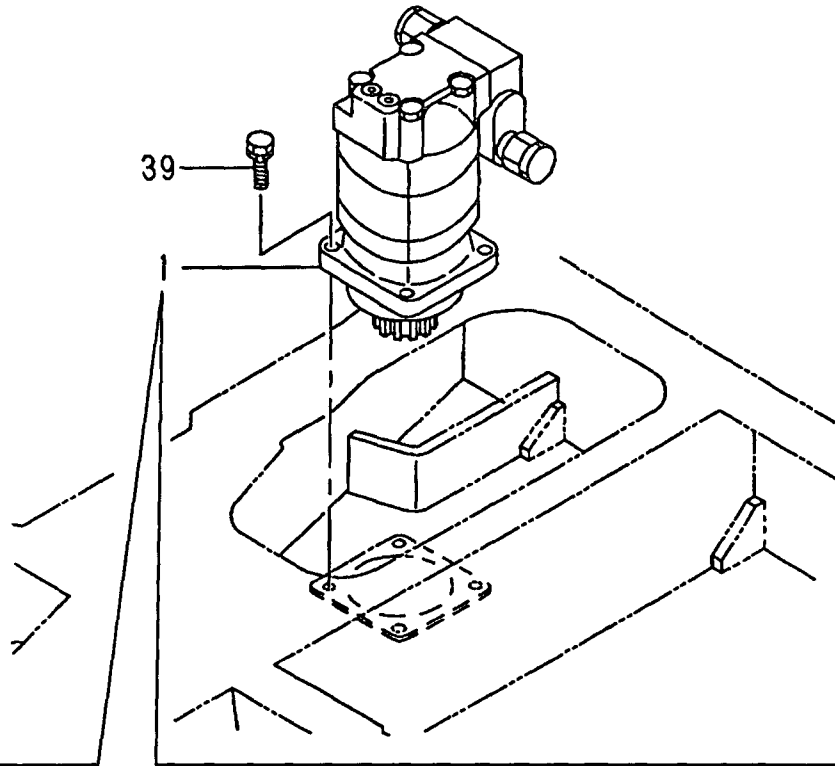
Fig. 30 TRAVEL MOTOR



59 inc. 60 ~ 66

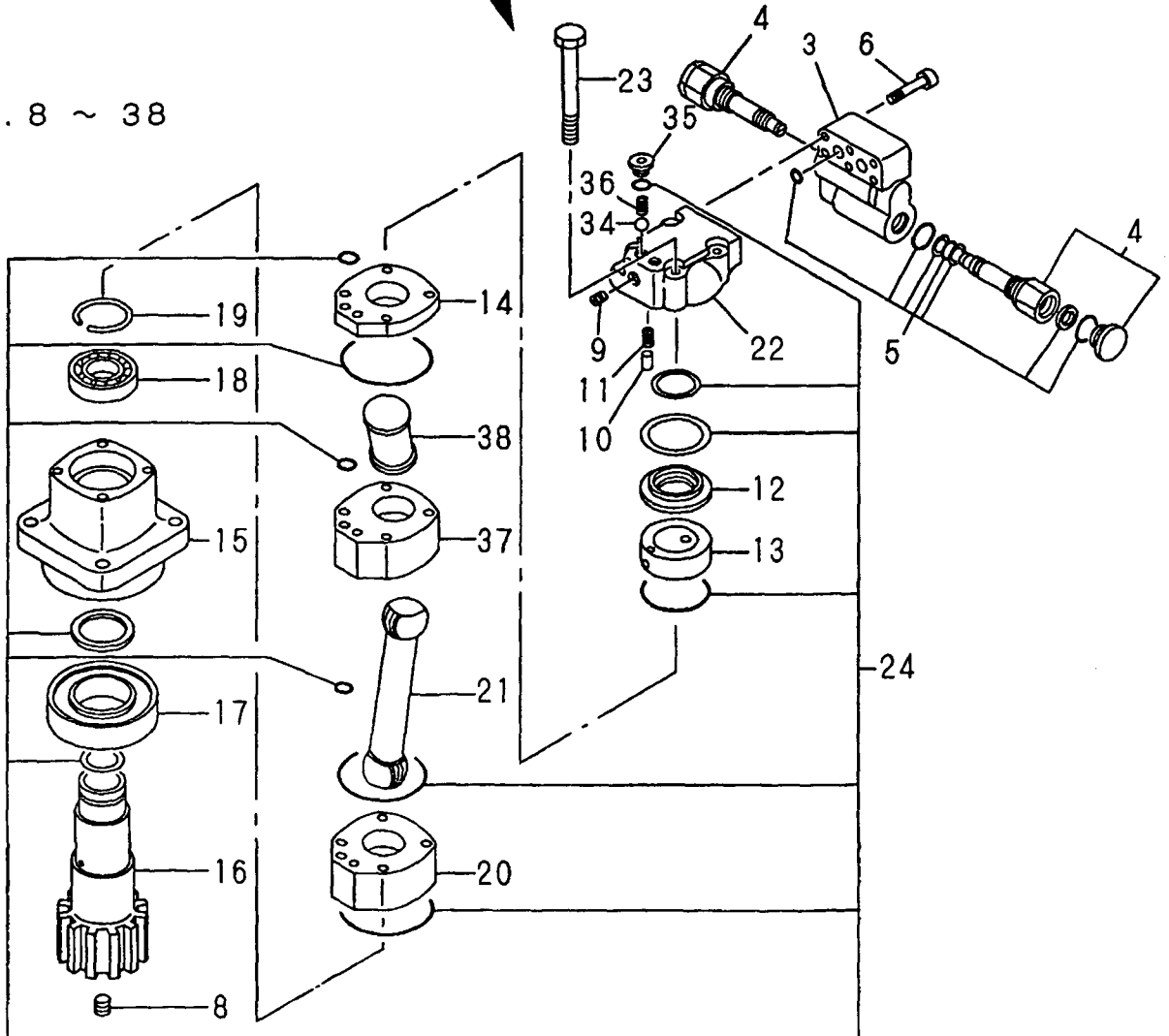
1,1,,172434-73310,, "MOTOR ASSY, SWING",1,,,,,,,,,,,,,
2,2,,172434-73320,, "VALVE CMP.",1,,,,,,,,,,,,,
3,3,,172168-73340,, "VALVE BODY",1,,,,,,,,,,,,,
4,3,,172434-73360,, "CARTRIDGE ASSY",2,,,,,,,,,,,,,
5,3,,172434-73330,, "SEAL KIT",1,,,,,,,,,,,,,
6,3,,172434-73340,, BOLT,6,,,,,,,,,,,,,
7,2,,172171-73401,, "MOTOR ASSY, SWING",1,,,,,,,,,,,,,
8,3,,172137-70490,, PLUG,1,,,,,,,,,,,,,
9,3,,172137-70490,, PLUG,1,,,,,,,,,,,,,
10,3,,172137-70570,, PIN,2,,,,,,,,,,,,,
11,3,,172137-70580,, SPRING,2,,,,,,,,,,,,,
12,3,,172137-70590,, PLATE,1,,,,,,,,,,,,,
13,3,,172137-70600,, VALVE,1,,,,,,,,,,,,,
14,3,,172148-73350,, "PLATE, VALVE",1,,,,,,,,,,,,,
15,3,,172171-73410,, HOUSING,1,,,,,,,,,,,,,
16,3,,172171-73420,, PINION,1,,,,,,,,,,,,,
17,3,,172171-73430,, "BALL BEARING",1,,,,,,,,,,,,,
18,3,,172171-73440,, "BALL BEARING",1,,,,,,,,,,,,,
19,3,,172171-73460,, "RETAINING RING",1,,,,,,,,,,,,,
20,3,,172171-73481,, "PLATE, WEAR",1,,,,,,,,,,,,,
21,3,,172171-73491,, DRAIVE,1,,,,,,,,,,,,,
22,3,,172171-73501,, "HOUSING, VALVE",1,,,,,,,,,,,,,
23,3,,172171-73511,, BOLT,4,,,,,,,,,,,,,
24,3,,172171-73521,, "SEAL KIT",1,,,,,,,,,,,,,
34,3,,172168-73580,, BALL,2,,,,,,,,,,,,,
35,3,,172168-73590,, PLAG,2,,,,,,,,,,,,,
36,3,,172168-73600,, SPRING,2,,,,,,,,,,,,,
37,3,,172141-77250,, ROLLER,1,,,,,,,,,,,,,
38,3,,172141-77260,, "VALVE DRIVE",1,,,,,,,,,,,,,
39,1,,26013-120402,, "BOLT M12X 40",4,,,,,,,,,,,,,

Fig. 31 TURNING MOTOR



7 inc. 8 ~ 38

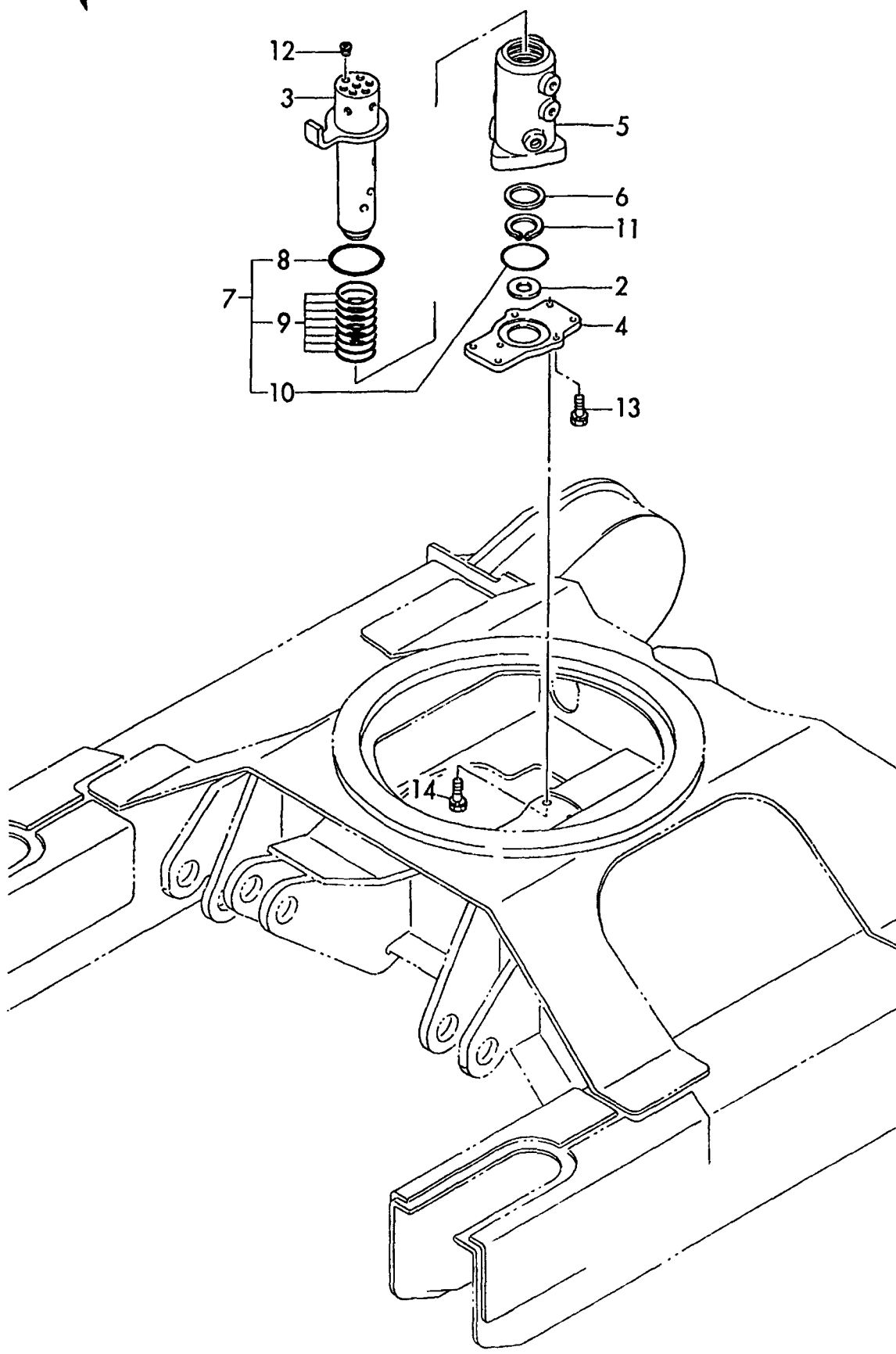
2 inc. 3 ~ 6



1,1,,172141-73800,, "JOINT, SWIVEL",1,,,,,,,,,,,,,,,,,,,,,
2,2,,194630-31910,, "LINER 22.5X40X2",1,,,,,,,,,,,,,,,,,,,,,
3,2,,172141-73810,, "SHAFT, SWIVEL",1,,,,,,,,,,,,,,,,,,,,,
4,2,,172131-73830,, "FLANGE, SWIVEL",1,,,,,,,,,,,,,,,,,,,,,
5,2,,172141-73830,, "HUB, SWIVEL",1,,,,,,,,,,,,,,,,,,,,,
6,2,,172137-73860,, "SPACER, SWIVEL",1,,,,,,,,,,,,,,,,,,,,,
7,2,,172141-73890,, "SEAL SET, SWIVEL",1,,,,,,,,,,,,,,,,,,,,,
8,3,,24311-000750,, "O-RING 1A P-75.0",1,,,,,,,,,,,,,,,,,,,,,
9,3,,172142-73800,, "O-RING 55.76X5.7",8,,,,,,,,,,,,,,,,,,,,,
10,3,,24321-000700,, "O-RING 1A G-70.0",1,,,,,,,,,,,,,,,,,,,,,
11,2,,22242-000451,, "CIRCLIP 45",1,,,,,,,,,,,,,,,,,,,,,
12,2,,23871-020000,, "PLUG PT1/4, SCREW",6,,,,,,,,,,,,,,,,,,,,,
13,2,,26013-100252,, "BOLT W/WASHER M10X25",3,,,,,,,,,,,,,,,,,,,,,
14,1,,26013-100302,, "BOLT M10X 30",4,,,,,,,,,,,,,,,,,,,,,

Fig. **32** SWIVEL JOINT

1 inc. 2 ~ 13



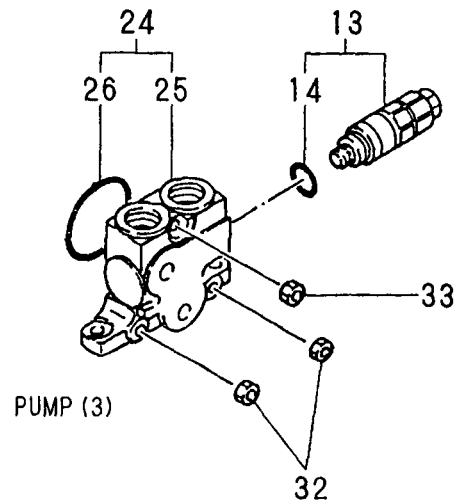
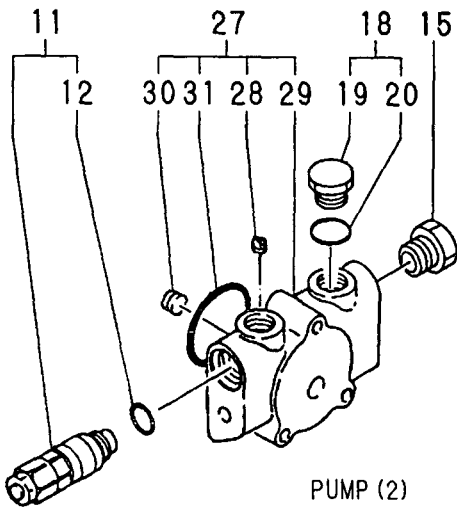
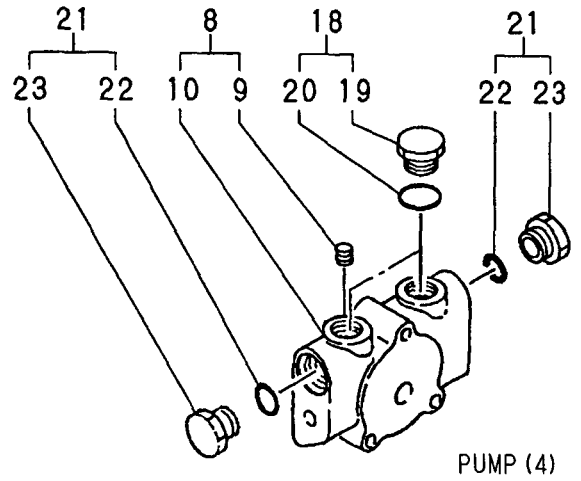
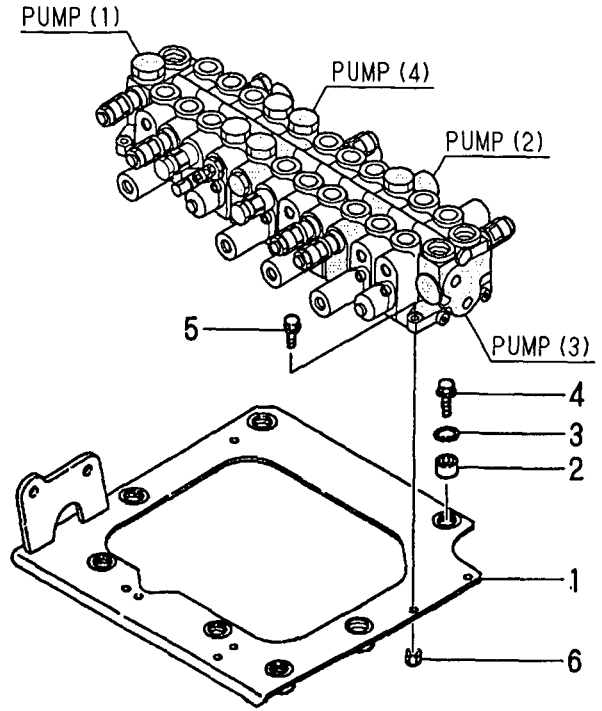
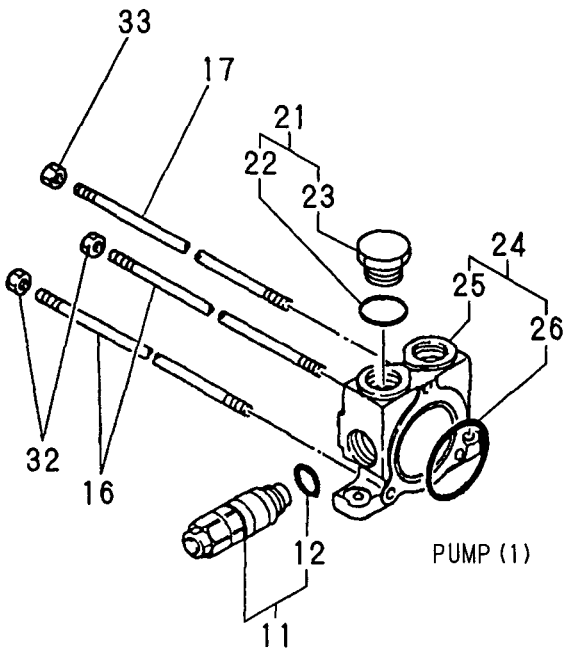
1,1,,172168-45400,, "PLATE ASSY, LINK",1,,,,,,,,,,,,,
2,1,,172165-45490,, CUSHION,5,,,,,,,,,,,,,
3,1,,22252-000280,, "CIRCLIP 28",5,,,,,,,,,,,,,
4,1,,26106-100352,, "BOLT M10X 35 PLATED",5,,,,,,,,,,,,,
5,1,,26013-100302,, "BOLT M10X 30",3,,,,,,,,,,,,,
6,1,,26716-100002,, "NUT 10",1,,,,,,,,,,,,,
7,1,,172171-74101,, "VALVE,CONTROL",1,,,,,,,,,1,
8,2,,172168-72620,, "SECTION ASSY.,SPACER",1,,,,,,,,,,,,,
9,3,,172122-73430,, PLUG,1,,,,,,,,,,,,,
10,3,,172142-74900,, SPACER,1,,,,,,,,,,,,,
11,2,,172171-72630,, "VALVE 175/25,RELIEF",2,,,,,,,,,,,,,
12,3,,172116-74150,, O-RING,2,,,,,,,,,,,,,
13,2,,172171-72640,, "VALVE 160/24,RELIEF",1,,,,,,,,,,,,,
14,3,,172116-74150,, O-RING,1,,,,,,,,,,,,,
15,2,,172168-72740,, "PLUG ASSY",1,,,,,,,,,,,,,
16,2,,172151-74110,, TIE-ROD,2,,,,,,,,,,,,,
17,2,,172151-74120,, TIE-ROD,1,,,,,,,,,,,,,
18,2,,172175-74270,, "PLUG ASSY",3,,,,,,,,,,,,,
19,3,,172112-06480,, PLUG,3,,,,,,,,,,,,,
20,3,,172112-06490,, O-RING,3,,,,,,,,,,,,,
21,2,,172175-74350,, "PLUG ASSY",3,,,,,,,,,,,,,
22,3,,172116-74150,, O-RING,3,,,,,,,,,,,,,
23,3,,172116-74320,, PLUG,3,,,,,,,,,,,,,
24,2,,172122-74520,, "SECTION, INLET",2,,,,,,,,,,,,,
25,3,,172823-74270,, "INLET HOUSING",2,,,,,,,,,,,,,
26,3,,933171-80590,, O-RING,2,,,,,,,,,,,,,
27,2,,172146-74680,, "SECTION ASSY, SPACER",1,,,,,,,,,,,,,
28,3,,172122-73430,, PLUG,1,,,,,,,,,,,,,
29,3,,172146-74750,, SPACER,1,,,,,,,,,,,,,
30,3,,23871-030000,, "PLUG PT3/8,SCREW",1,,,,,,,,,,,,,
31,3,,933171-80590,, O-RING,1,,,,,,,,,,,,,
32,2,,26716-080002,, "NUT M 8",4,,,,,,,,,,,,,
33,2,,26716-100002,, "NUT 10",2,,,,,,,,,,,,,

Fig. 33 CONTROL VALVE (P PORT)

CONTROL VALVE ASSY
(172171-74101)

Fig. 33 REF. No. 7

- inc. Fig. 33 REF. No. 8 ~ 33
 Fig. 34 REF. No. 1 ~ 22
 Fig. 35 REF. No. 1 ~ 39
 Fig. 36 REF. No. 1 ~ 22
 Fig. 37 REF. No. 1 ~ 15



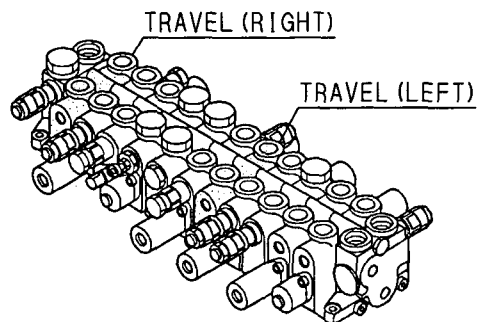
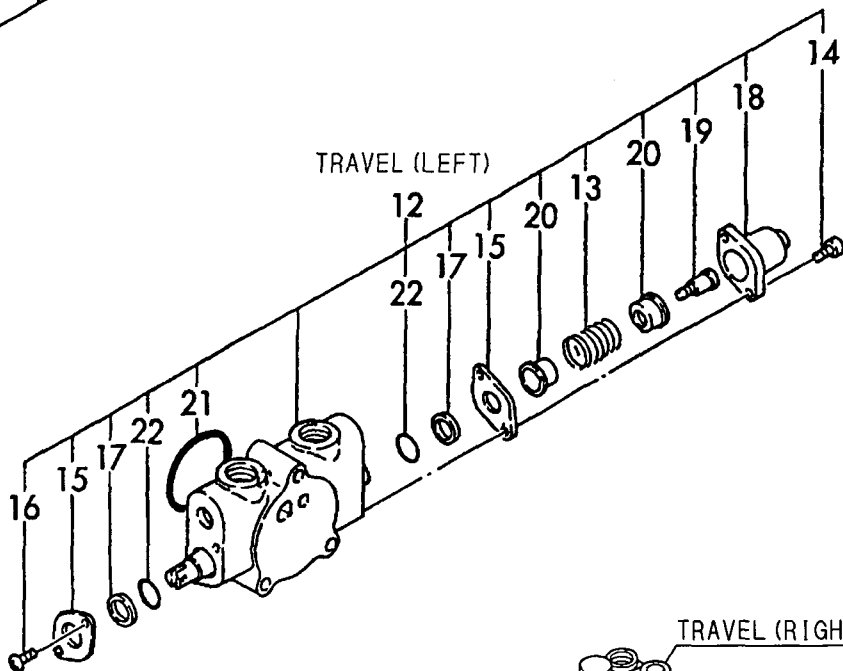
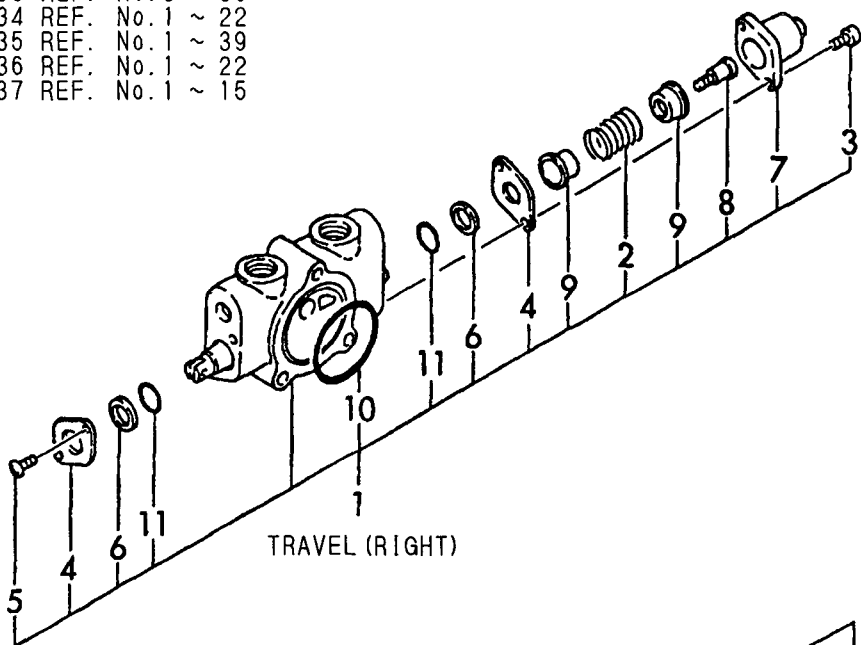
1,2,,172168-72580,, "SECTION ASSY, SPOOL",1,,,,,,,,,,,,,
2,3,,172122-74050,, SPRING,1,,,,,,,,,,,,,
3,3,,172151-74060,, "BOLT, SOCKET HEAD",2,,,,,,,,,,,,,
4,3,,172116-74190,, "PLATE, SEAL",2,,,,,,,,,,,,,
5,3,,172116-74220,, SCREW,2,,,,,,,,,,,,,
6,3,,933166-80520,, WIPER,2,,,,,,,,,,,,,
7,3,,933166-80530,, CAP,1,,,,,,,,,,,,,
8,3,,933166-80550,, "SCREW, CAP",1,,,,,,,,,,,,,
9,3,,933171-80510,, "SEAT, SPRING",2,,,,,,,,,,,,,
10,3,,933171-80590,, O-RING,1,,,,,,,,,,,,,
11,3,,933171-80610,, O-RING,2,,,,,,,,,,,,,
12,2,,172171-72610,, "SECTION ASSY., SPOOL",1,,,,,,,,,,,,,
13,3,,172122-74050,, SPRING,1,,,,,,,,,,,,,
14,3,,172151-74060,, "BOLT, SOCKET HEAD",2,,,,,,,,,,,,,
15,3,,172116-74190,, "PLATE, SEAL",2,,,,,,,,,,,,,
16,3,,172116-74220,, SCREW,2,,,,,,,,,,,,,
17,3,,933166-80520,, WIPER,2,,,,,,,,,,,,,
18,3,,933166-80530,, CAP,1,,,,,,,,,,,,,
19,3,,933166-80550,, "SCREW, CAP",1,,,,,,,,,,,,,
20,3,,933171-80510,, "SEAT, SPRING",2,,,,,,,,,,,,,
21,3,,933171-80590,, O-RING,1,,,,,,,,,,,,,
22,3,,933171-80610,, O-RING,2,,,,,,,,,,,,,

Fig. 34 CONTROL VALVE (TRAVEL)

CONTROL VALVE ASSY
(172171-74101)

Fig. 33 REF. No. 7

- inc. Fig. 33 REF. No. 8 ~ 33
- Fig. 34 REF. No. 1 ~ 22
- Fig. 35 REF. No. 1 ~ 39
- Fig. 36 REF. No. 1 ~ 22
- Fig. 37 REF. No. 1 ~ 15

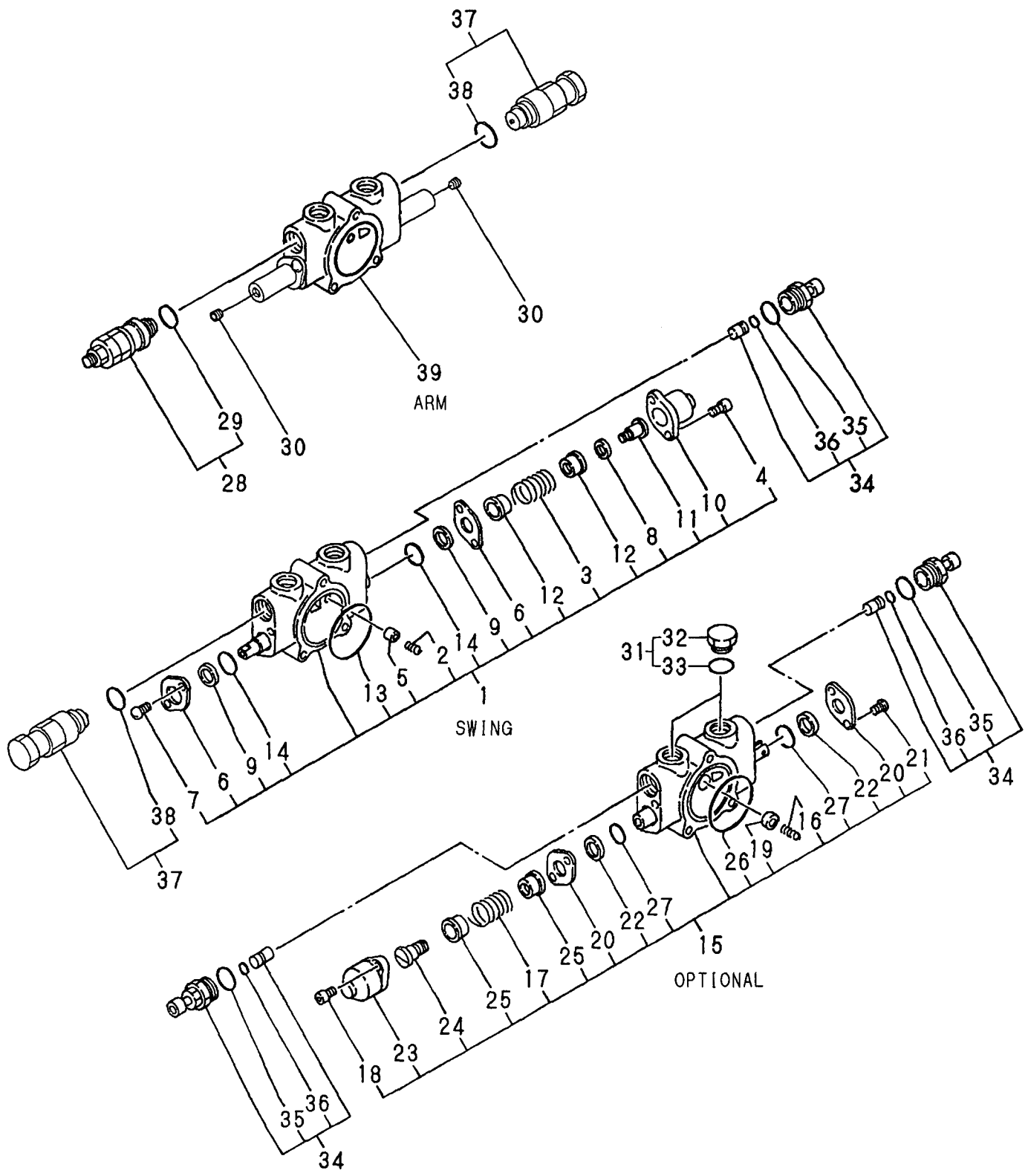
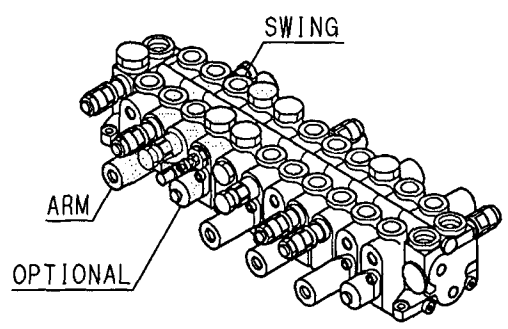


1,2,,172171-72590,, "SECTION ASSY.,SPOOL",1,,,,,,,,,,,,,
2,3,,172168-72750,, "SPRING,CHECK VALVE",1,,,,,,,,,,,,,
3,3,,172122-74050,, SPRING,1,,,,,,,,,,,,,
4,3,,172151-74060,, "BOLT, SOCKET HEAD",2,,,,,,,,,,,,,
5,3,,172122-74130,, POPPET,1,,,,,,,,,,,,,
6,3,,172116-74190,, "PLATE, SEAL",2,,,,,,,,,,,,,
7,3,,172116-74220,, SCREW,2,,,,,,,,,,,,,
8,3,,172146-74740,, WASHER,1,,,,,,,,,,,,,
9,3,,933166-80520,, WIPER,2,,,,,,,,,,,,,
10,3,,933166-80530,, CAP,2,,,,,,,,,,,,,
11,3,,933166-80550,, "SCREW, CAP",1,,,,,,,,,,,,,
12,3,,933171-80510,, "SEAT, SPRING",2,,,,,,,,,,,,,
13,3,,933171-80590,, O-RING,1,,,,,,,,,,,,,
14,3,,933171-80610,, O-RING,2,,,,,,,,,,,,,
15,2,,172168-72610,, "SECTION ASSY, SPOOL",1,,,,,,,,,,,,,
16,3,,172168-72750,, "SPRING,CHECK VALVE",1,,,,,,,,,,,,,
17,3,,172168-72760,, "SPRING, SPOOL",1,,,,,,,,,,,,,
18,3,,172151-74060,, "BOLT, SOCKET HEAD",2,,,,,,,,,,,,,
19,3,,172122-74130,, POPPET,1,,,,,,,,,,,,,
20,3,,172116-74190,, "PLATE, SEAL",2,,,,,,,,,,,,,
21,3,,172116-74220,, SCREW,2,,,,,,,,,,,,,
22,3,,933166-80520,, WIPER,2,,,,,,,,,,,,,
23,3,,933166-80530,, CAP,1,,,,,,,,,,,,,
24,3,,933166-80550,, "SCREW, CAP",1,,,,,,,,,,,,,
25,3,,933171-80510,, "SEAT, SPRING",2,,,,,,,,,,,,,
26,3,,933171-80590,, O-RING,1,,,,,,,,,,,,,
27,3,,933171-80610,, O-RING,2,,,,,,,,,,,,,
28,2,,172171-72660,, "VALVE 210/25,RELIEF",1,,,,,,,,,,,,,
29,3,,172116-74150,, O-RING,1,,,,,,,,,,,,,
30,2,,172171-72740,, PLUG,2,,,,,,,,,,,,,
31,2,,172175-74270,, "PLUG ASSY",2,,,,,,,,,,,,,
32,3,,172112-06480,, PLUG,2,,,,,,,,,,,,,
33,3,,172112-06490,, O-RING,2,,,,,,,,,,,,,
34,2,,172146-74720,, "VALVE ASSY, SHUT-OFF",3,,,,,,,,,,,,,
35,3,,172116-74150,, O-RING,3,,,,,,,,,,,,,
36,3,,24311-240100,, "O-RING 1A P-10A",3,,,,,,,,,,,,,
37,2,,172146-74730,, "VALVE ASSY",2,,,,,,,,,,,,,
38,3,,172116-74150,, O-RING,2,,,,,,,,,,,,,
39,2,,172171-72730,, "SECTION ASSY.,SPOOL",1,,,,,,,,,,,,,

Fig. 35 CONTROL VALVE (ARM & SWING)

CONTROL VALVE ASSY
(172171-74101)

- Fig. 33 REF. No. 7
 inc. Fig. 33 REF. No. 8 ~ 33
 Fig. 34 REF. No. 1 ~ 22
 Fig. 35 REF. No. 1 ~ 39
 Fig. 36 REF. No. 1 ~ 22
 Fig. 37 REF. No. 1 ~ 15



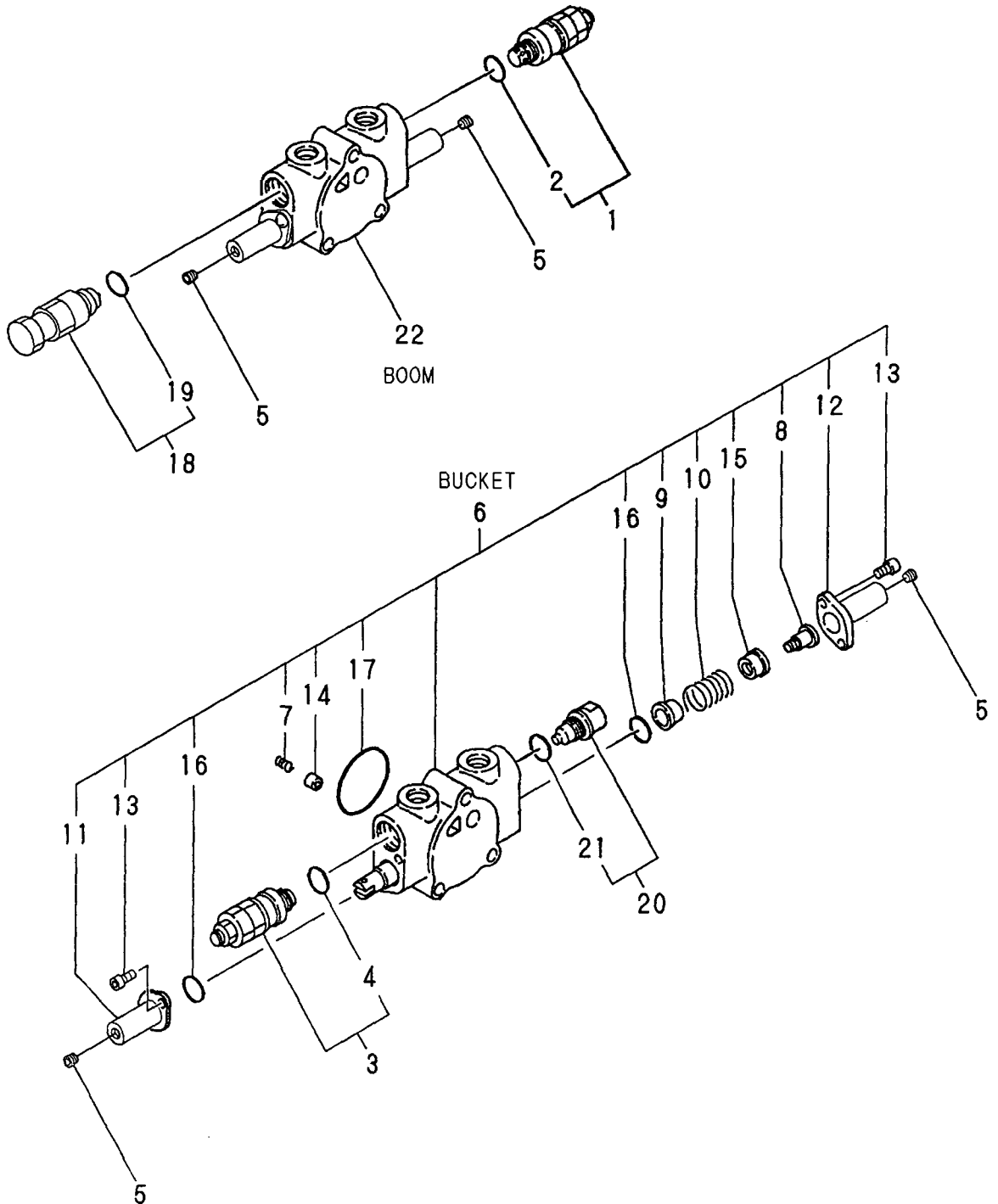
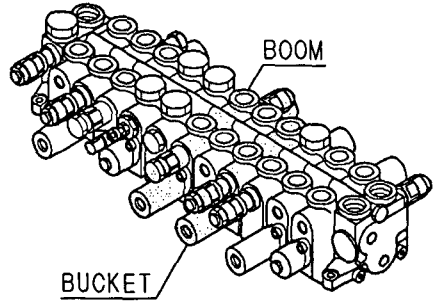
1,2,,172171-72650,, "VALVE 210/25,RELIEF",1,,,,,,,,,,,,,
2,3,,172116-74150,, O-RING,1,,,,,,,,,,,,,
3,2,,172168-72730,, "VALVE 260/33,RELIEF",1,,,,,,,,,,,,,
4,3,,172116-74150,, O-RING,1,,,,,,,,,,,,,
5,2,,172171-72740,, PLUG,4,,,,,,,,,,,,,
6,2,,172175-74210,, "SPOOL SECTION ASSY",1,,,,,,,,,,,,,
7,3,,172168-72750,, "SPRING,CHECK VALVE",1,,,,,,,,,,,,,
8,3,,172168-72850,, "END, SPOOL",1,,,,,,,,,,,,,
9,3,,172168-72860,, "SEAT,SPRING",1,,,,,,,,,,,,,
10,3,,172168-72880,, SPRING,1,,,,,,,,,,,,,
11,3,,172168-72890,, CAP,1,,,,,,,,,,,,,
12,3,,172168-72900,, CAP,1,,,,,,,,,,,,,
13,3,,172151-74060,, "BOLT, SOCKET HEAD",4,,,,,,,,,,,,,
14,3,,172122-74130,, POPPET,1,,,,,,,,,,,,,
15,3,,172175-74220,, "SEAT, SPRING",1,,,,,,,,,,,,,
16,3,,172151-74320,, O-RING,2,,,,,,,,,,,,,
17,3,,933171-80590,, O-RING,1,,,,,,,,,,,,,
18,2,,172146-74730,, "VALVE ASSY",1,,,,,,,,,,,,,
19,3,,172116-74150,, O-RING,1,,,,,,,,,,,,,
20,2,,172310-79180,, VALVE,1,,,,,,,,,,,,,
21,3,,172116-74150,, O-RING,1,,,,,,,,,,,,,
22,2,,172171-72720,, "SECTION ASSY.,SPOOL",1,,,,,,,,,,,,,

Fig. 36 CONTROL VALVE (BOOM & BUCKET)

CONTROL VALVE ASSY
(172171-74101)

Fig. 33 REF. No. 7

- inc. Fig. 33 REF. No. 8 ~ 33
- Fig. 34 REF. No. 1 ~ 22
- Fig. 35 REF. No. 1 ~ 39
- Fig. 36 REF. No. 1 ~ 22
- Fig. 37 REF. No. 1 ~ 15



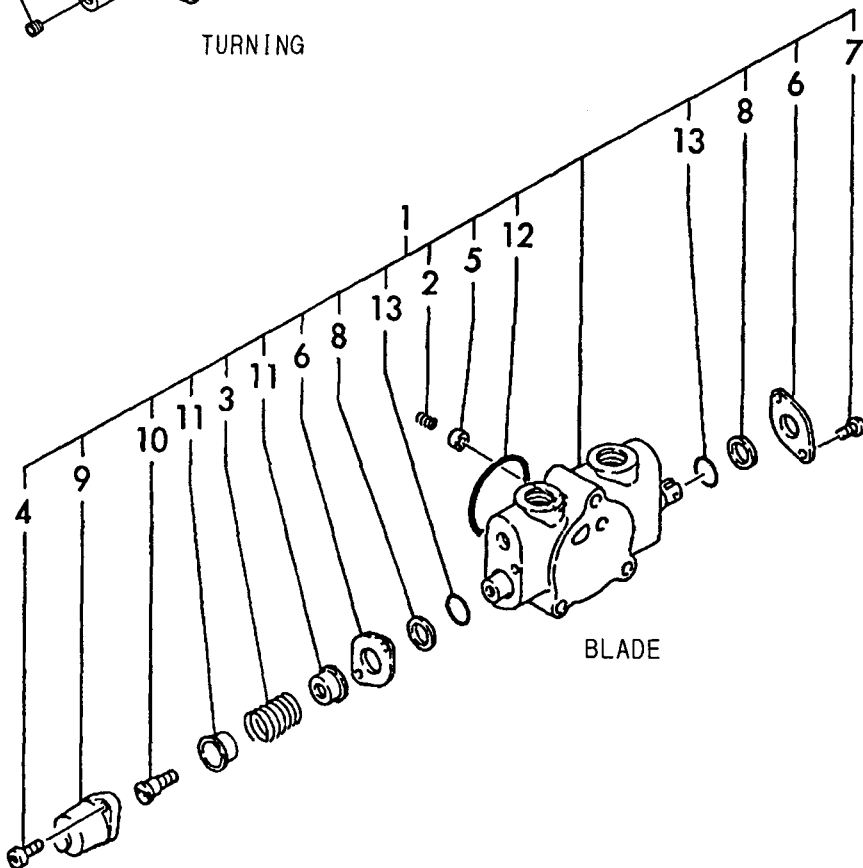
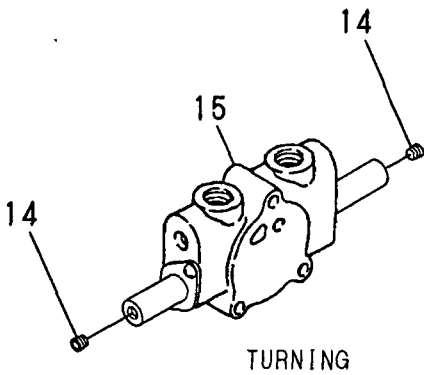
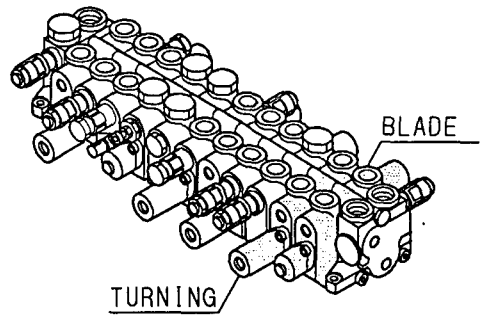
1,2,,172171-72620,, "SECTION ASSY.,SPOOL",1,,,,,,,,,,,,,
2,3,,172168-72750,, "SPRING,CHECK VALVE",1,,,,,,,,,,,,,
3,3,,172122-74050,, SPRING,1,,,,,,,,,,,,,
4,3,,172151-74060,, "BOLT, SOCKET HEAD",2,,,,,,,,,,,,,
5,3,,172122-74130,, POPPET,1,,,,,,,,,,,,,
6,3,,172116-74190,, "PLATE, SEAL",2,,,,,,,,,,,,,
7,3,,172116-74220,, SCREW,2,,,,,,,,,,,,,
8,3,,933166-80520,, WIPER,2,,,,,,,,,,,,,
9,3,,933166-80530,, CAP,1,,,,,,,,,,,,,
10,3,,933166-80550,, "SCREW, CAP",1,,,,,,,,,,,,,
11,3,,933171-80510,, "SEAT, SPRING",2,,,,,,,,,,,,,
12,3,,933171-80590,, O-RING,1,,,,,,,,,,,,,
13,3,,933171-80610,, O-RING,2,,,,,,,,,,,,,
14,2,,172171-72740,, PLUG,2,,,,,,,,,,,,,
15,2,,172171-72710,, "SECTION ASSY.,SPOOL",1,,,,,,,,,,,,,

Fig. 37 CONTROL VALVE (TURNING & BLADE)

CONTROL VALVE ASSY
(172171-74101)

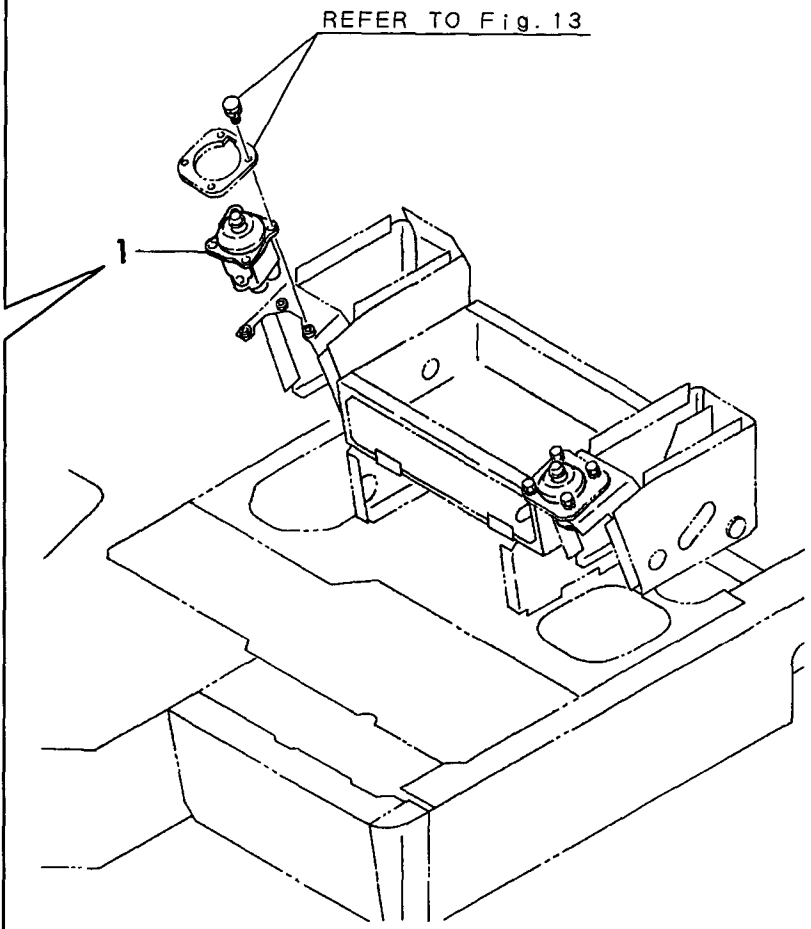
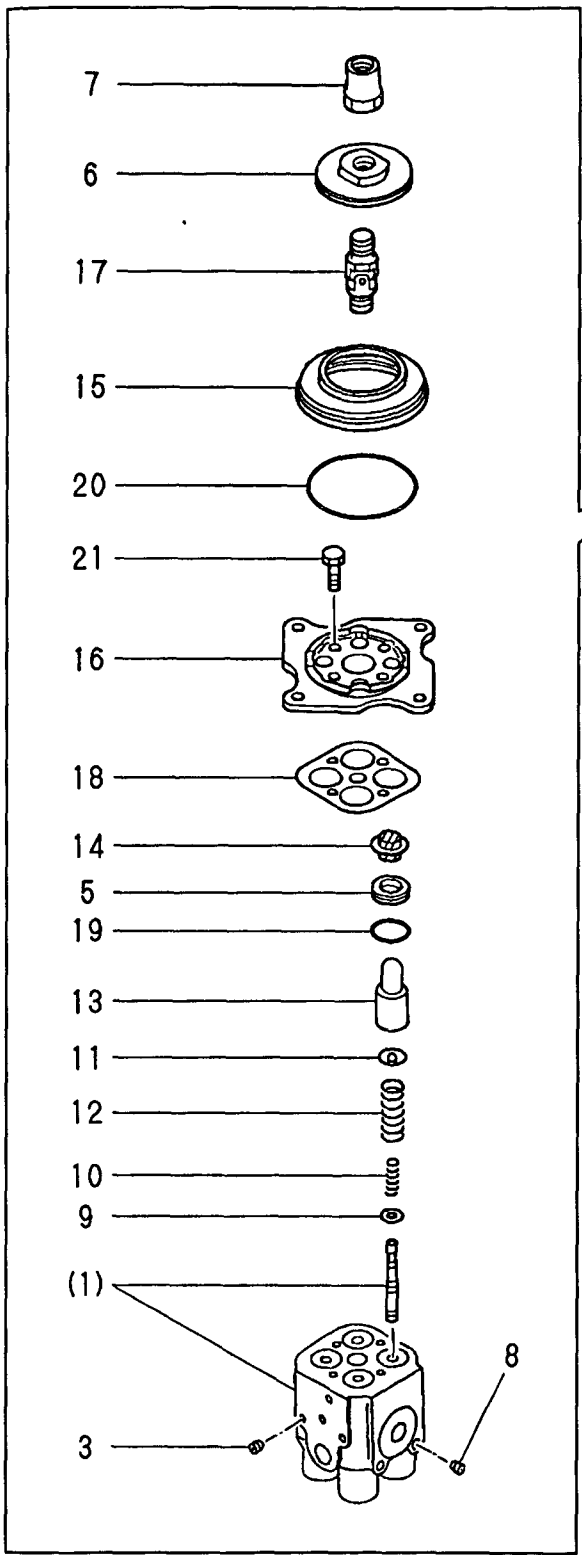
Fig. 33 REF. No. 7

- inc. Fig. 33 REF. No. 8 ~ 33
- Fig. 34 REF. No. 1 ~ 22
- Fig. 35 REF. No. 1 ~ 39
- Fig. 36 REF. No. 1 ~ 22
- Fig. 37 REF. No. 1 ~ 15



1,1,,172151-74611,, "VALVE ASSY,RMT.CONT.",2,,,,,,,,,,,,,
3,2,,172164-74560,, PLUG,4,,,,,,,,,,,,,
5,2,,172164-74610,, COLLAR,8,,,,,,,,,,,,,
6,2,,172164-74620,, DISC,2,,,,,,,,,,,,,
7,2,,172164-74630,, NUT,2,,,,,,,,,,,,,
8,2,,172164-74650,, PLUG,4,,,,,,,,,,,,,
9,2,,172151-74860,, "SHIM(COUNT. SET",8,,,,,,,,,,,,,
10,2,,172151-74870,, SPRING,8,,,,,,,,,,,,,
11,2,,172151-74880,, RETAINER,8,,,,,,,,,,,,,
12,2,,172151-74890,, "SP (SYN.",8,,,,,,,,,,,,,
13,2,,172151-74900,, PISTON,8,,,,,,,,,,,,,
14,2,,172151-74910,, SEAL,8,,,,,,,,,,,,,
15,2,,172151-74930,, BOOT,2,,,,,,,,,,,,,
16,2,,172151-74940,, PLATE,2,,,,,,,,,,,,,
17,2,,172151-74950,, UNION,2,,,,,,,,,,,,,
18,2,,172151-74980,, PLATE,2,,,,,,,,,,,,,
19,2,,24311-000200,, "O-RING 1A P-20.0",8,,,,,,,,,,,,,
20,2,,24311-000700,, "O-RING 1A P-70.0",2,,,,,,,,,,,,,
21,2,,26116-060202,, "BOLT M 6X 20",8,,,,,,,,,,,,,

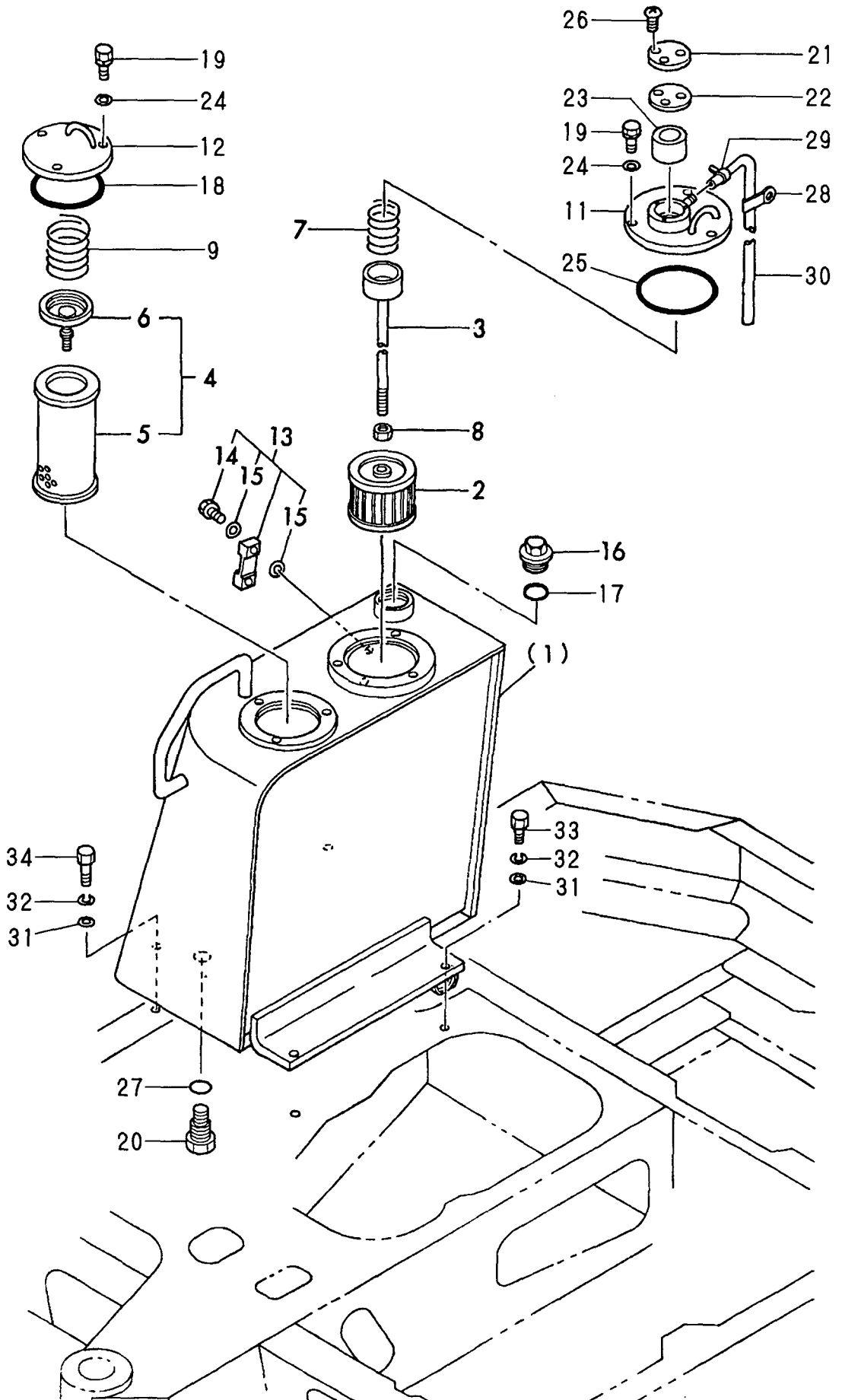
Fig. 38 REMOTE CONTROL VALVE



1,1,,772171-75100-4,, "RESERVOR (GREEN)",1,,,,,,,,,,,,,
2,2,,172137-73700,, "FILTER, SUCTION",1,,,,,,,,,,,,,
3,2,,172124-73700,, "BAR, FILTER SUPPORT",1,,,,,,,,,,,,,
4,2,,172141-73750,, "FILTER ASSY, RETURN",1,,,,,,,,,,,,,
5,3,,172141-73760,, ELEMENT,1,,,,,,,,,,,,,
6,3,,172141-73770,, "VALVE ASSY, BYPASS",1,,,,,,,,,,,,,
7,2,,172112-75780,, "SPRING, STRAINER",1,,,,,,,,,,,,,
8,2,,26716-100002,, "NUT 10",1,,,,,,,,,,,,,
9,2,,933152-02710,, "SPRING, SIDE CLUTCH",1,,,,,,,,,,,,,
11,2,,172171-75210-4,, "COVER, RESERVOR",1,,,,,,,,,,,,,
12,2,,172141-75430-4,, "COVER, INTAKE",1,,,,,,,,,,,,,
13,2,,172122-75600,, "GAUGE, OIL LEVEL",1,,,,,,,,,,,,,
14,3,,172122-75620,, BOLT,2,,,,,,,,,,,,,
15,3,,172122-75630,, GASKET,4,,,,,,,,,,,,,
16,2,,172116-75850-5,, "PLUG, OIL FEED",1,,,,,,,,,,,,,
17,2,,24311-000380,, "O-RING 1A P-38.0",1,,,,,,,,,,,,,
18,2,,24321-001050,, "O-RING 1A G-105.0",1,,,,,,,,,,,,,
19,2,,26013-080202,, "BOLT W/WASHER M8X20",6,,,,,,,,,,,,,
20,2,,172187-75500,, "PLUG 24",1,,,,,,,,,,,,,
21,2,,172165-75450-5,, PLATE,1,,,,,,,,,,,,,
22,2,,172165-75460,, GASKET,1,,,,,,,,,,,,,
23,2,,172165-75481,, ELEMENT,1,,,,,,,,,,,,,
24,2,,22137-080000,, "WASHER 8, POLISHED",6,,,,,,,,,,,,,
25,2,,24321-001150,, "O-RING 1A G-115.0",1,,,,,,,,,,,,,
26,2,,26022-050102,, "SCREW M 5X 10",3,,,,,,,,,,,,,
27,2,,24341-000300,, "O-RING 1A S-30.0",1,,,,,,,,,,,,,
28,1,,172126-16540,, "CLAMP 10X70",1,,,,,,,,,,,,,
29,1,,124766-59050,, "CLAMP 12",1,,,,,,,,,,,,,
30,1,,172165-75490,, HOSE,1,,,,,,,,,,,,,
31,1,,22137-140000,, "WASHER 14, POLISHED",4,,,,,,,,,,,,,
32,1,,22217-140000,, "SPRING WASHER 14",4,,,,,,,,,,,,,
33,1,,26116-140302,, "BOLT M14X 30 PLATED",2,,,,,,,,,,,,,
34,1,,26116-140452,, "BOLT M14X 45 PLATED",2,,,,,,,,,,,,,

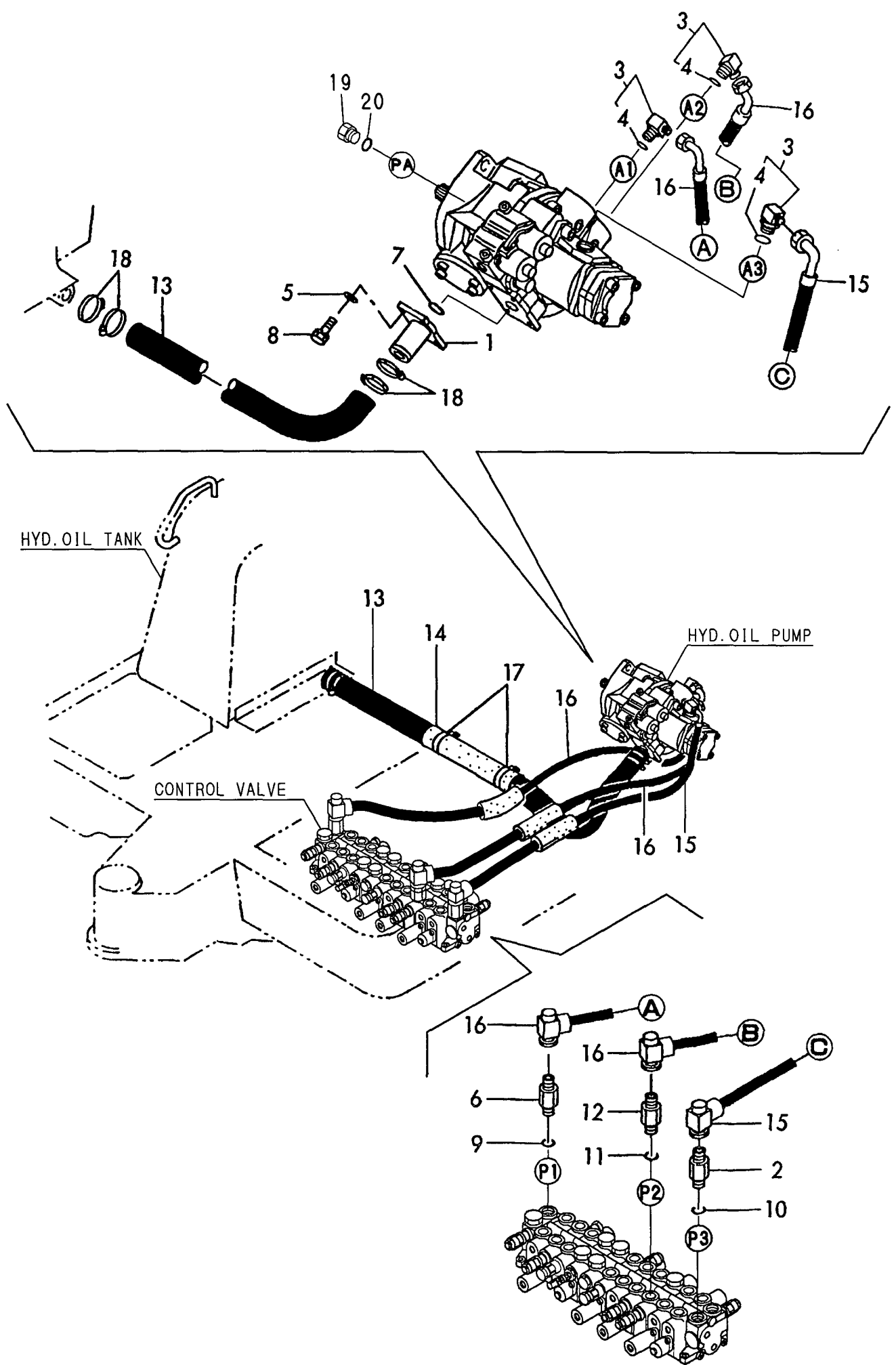
Fig. 39 HYD. OIL TANK

1 inc. (1) ~ 27



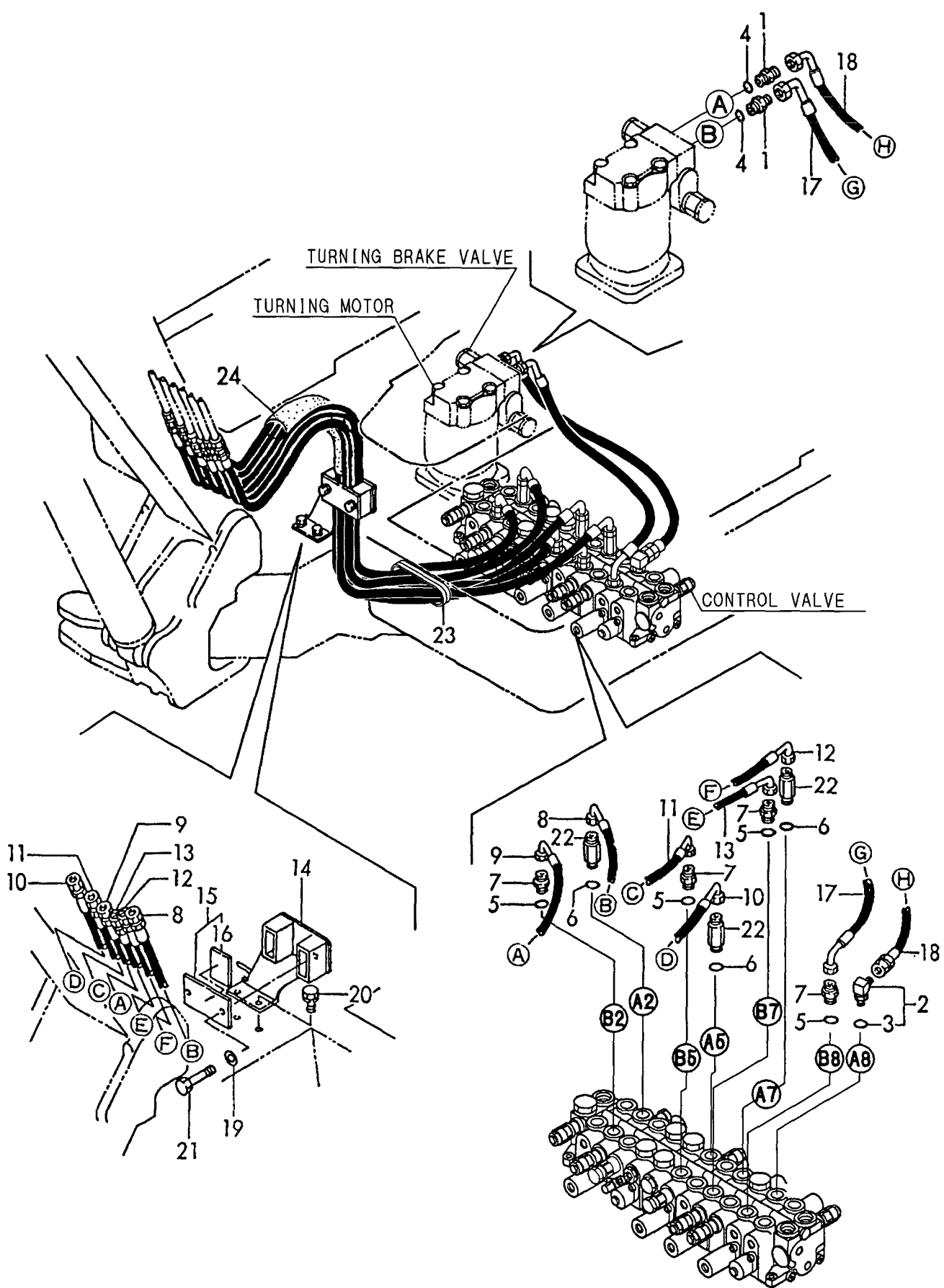
1,1,,172165-76860,,FLANGE,1,,,,,,,,,,,,,,,,,,,,,
2,1,,172142-76130,, "JOINT 7/8UN-1/4",1,,,,,,,,,,,,,,,,,,,,,
3,1,,172141-76900,, "CONNECTOR 1/2L",3,,,,,,,,,,,,,,,,,,,,,
4,2,,24315-000180,, "O-RING 1B P-18.0",3,,,,,,,,,,,,,,,,,,,,,
5,1,,22117-120000,, "WASHER 12",4,,,,,,,,,,,,,,,,,,,,,
6,1,,172168-76240,, "CONNECTOR UN7/8PF1/2",1,,,,,,,,,,,,,,,,,,,,,
7,1,,24321-000450,, "O-RING 1A G-45.0",1,,,,,,,,,,,,,,,,,,,,,
8,1,,26013-120302,, "BOLT W/WASHER M12X30",4,,,,,,,,,,,,,,,,,,,,,
9,1,,933152-07400,, "O-RING (A)",1,,,,,,,,,,,,,,,,,,,,,
10,1,,933152-07400,, "O-RING (A)",1,,,,,,,,,,,,,,,,,,,,,
11,1,,933152-24120,, "O-RING (B)",1,,,,,,,,,,,,,,,,,,,,,
12,1,,933166-24140,,CONNECTOR,1,,,,,,,,,,,,,,,,,,,,,
13,1,,172171-78101,,HOSE,1,,,,,,,,,,,,,,,,,,,,,
14,1,,172173-78180,, "COVER, HOSE",1,,,,,,,,,,,,,,,,,,,,,
15,1,,172171-78250,, "HOSE P208EV092S",1,,,,,,,,,,,,,,,,,,,,,
16,1,,172165-78810,, "HOSE G208CV115S",2,,,,,,,,,,,,,,,,,,,,,
17,1,,172122-79890,, "CLAMP 350",2,,,,,,,,,,,,,,,,,,,,,
18,1,,23000-060000,, "CLAMP 60",4,,,,,,,,,,,,,,,,,,,,,
19,1,,172165-76590,, "PLUG PF1/4",1,,,,,,,,,,,,,,,,,,,,,
20,1,,24315-000100,, "O-RING 1B P-10.0",1,,,,,,,,,,,,,,,,,,,,,

Fig. 40 HYD. OIL PIPING (TANK~PUMP~VALVE)



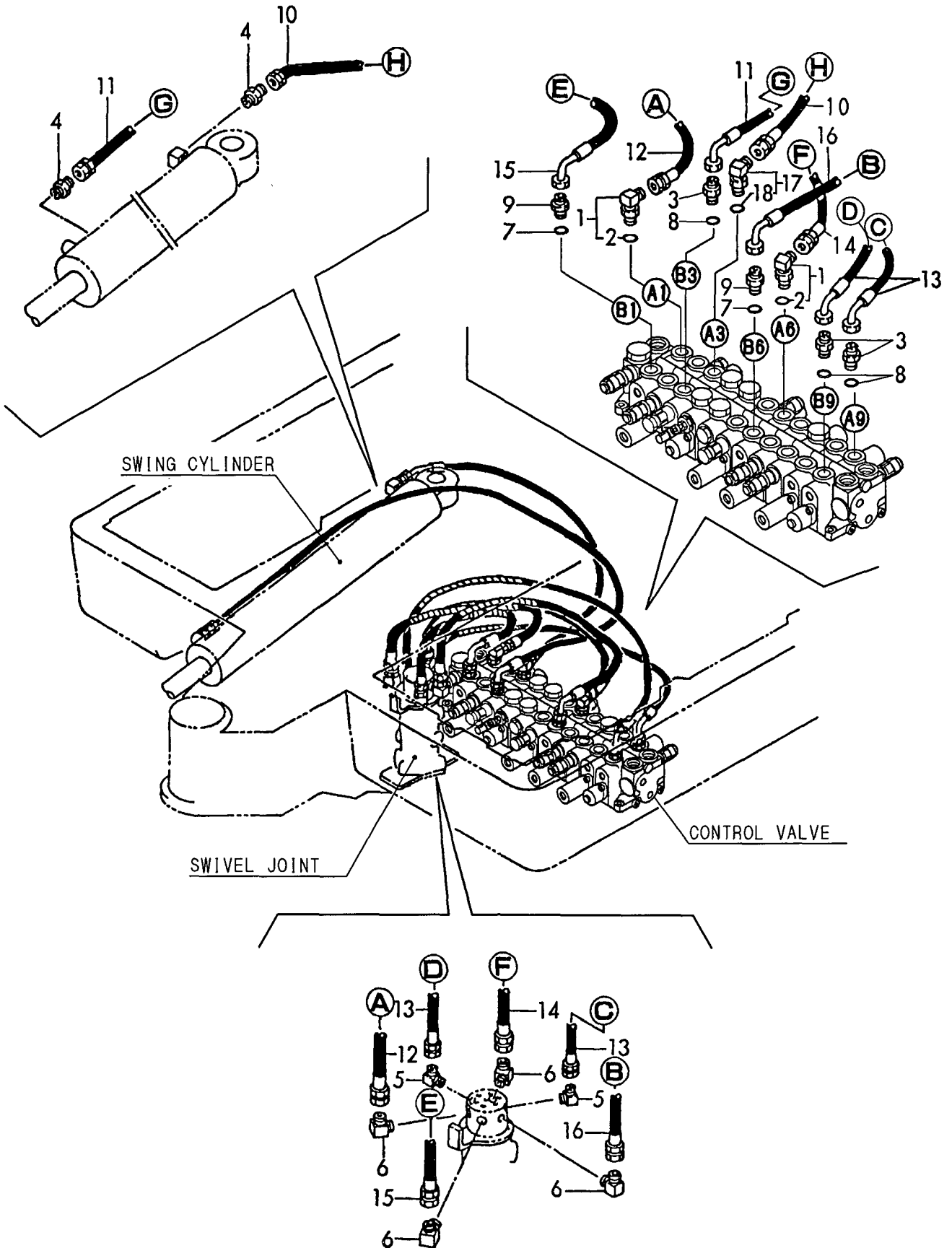
1,1,,172730-75140,,ADAPTOR,2,,,,,,,,,,,,,
2,1,,172168-76130,, "CONNECTOR UN3/4PF3/8",1,,,,,,,,,,,,,
3,2,,933152-24120,, "O-RING (B)",1,,,,,,,,,,,,,
4,1,,24315-000140,, "O-RING 1B P-14.0",2,,,,,,,,,,,,,
5,1,,933152-24120,, "O-RING (B)",4,,,,,,,,,,,,,
6,1,,933152-24120,, "O-RING (B)",3,,,,,,,,,,,,,
7,1,,933155-08481,, "CONNECTOR (A)",4,,,,,,,,,,,,,
8,1,,172171-78500,,HOSE,1,,,,,,,,,,,,,
9,1,,172171-78510,,HOSE,1,,,,,,,,,,,,,
10,1,,172171-78520,,HOSE,1,,,,,,,,,,,,,
11,1,,172171-78530,,HOSE,1,,,,,,,,,,,,,
12,1,,172171-78540,,HOSE,1,,,,,,,,,,,,,
13,1,,172171-78550,,HOSE,1,,,,,,,,,,,,,
14,1,,172168-78700-4,, "SUPPORT,HOSE (97)",1,,,,,,,,,,,,,
15,1,,172168-78740,, "COVER ASSY",1,,,,,,,,,,,,,
16,2,,172168-78760,,RUBBER,1,,,,,,,,,,,,,
17,1,,172434-78150,,HOSE,1,,,,,,,,,,,,,
18,1,,172434-78170,,HOSE,1,,,,,,,,,,,,,
19,1,,22217-100000,, "SPRING WASHER 10",2,,,,,,,,,,,,,
20,1,,26013-100202,, "BOLT W/WASHER M10X20",2,,,,,,,,,,,,,
21,1,,26116-100652,, "BOLT M10X 65 PLATED",2,,,,,,,,,,,,,
22,1,,172142-76160,, "JOINT 3/4UN-3/8",3,,,,,,,,,,,,,
23,1,,172165-78150,,GROMMET,1,,,,,,,,,,,,,
24,1,,172168-78590,,CLAMP,1,,,,,,,,,,,,,

Fig. 41 HYD. OIL PIPING (VALVE~MOTOR~BOOM)



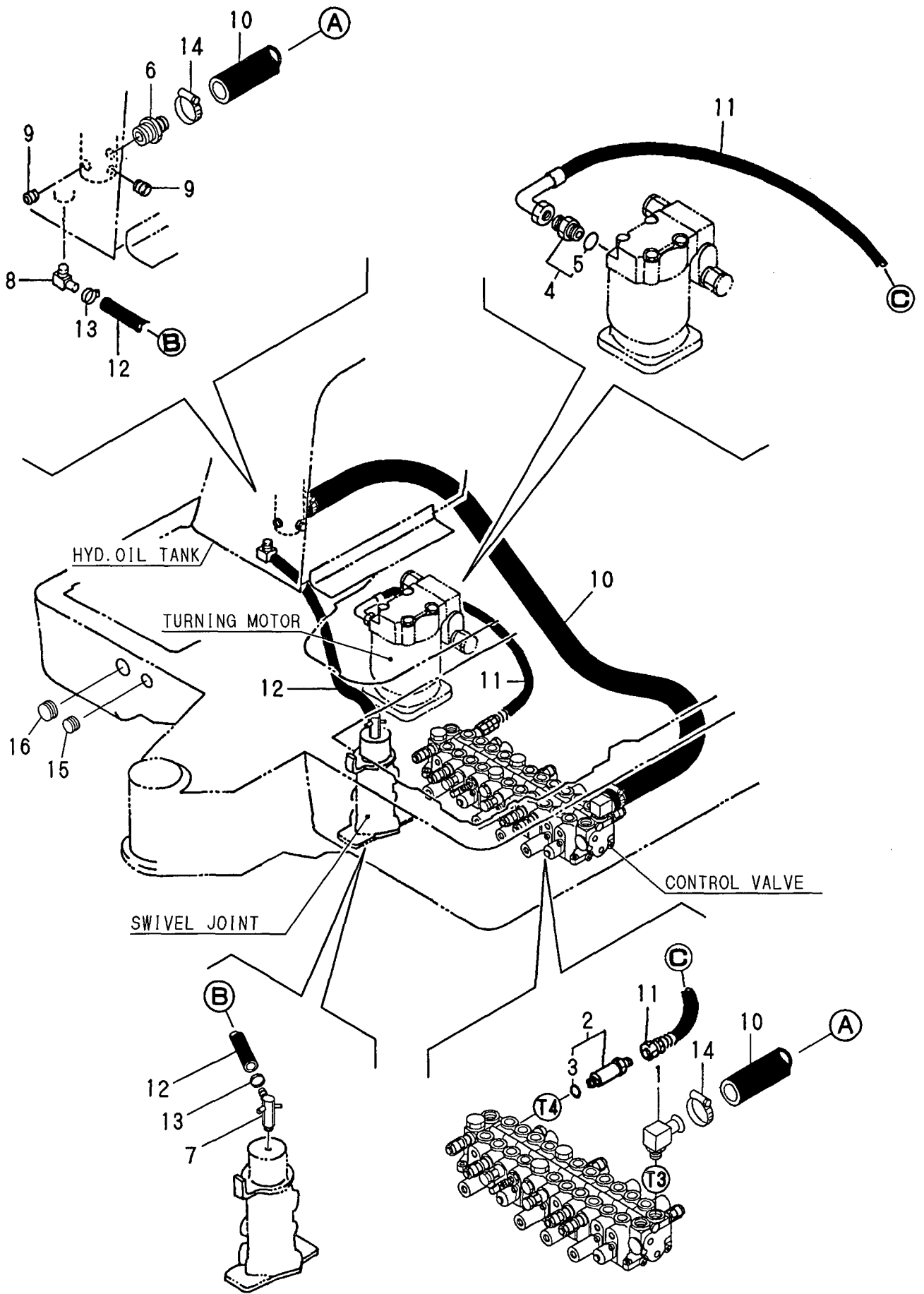
1,1,,172168-76130,, "CONNECTOR UN3/4PF3/8",2,,,,,,,,,,,,,
2,2,,933152-24120,, "O-RING (B)",2,,,,,,,,,,,,,
3,1,,172312-76220,, "CONNECTOR 1/4-3/4UN",3,,,,,,,,,,,,,
4,1,,23391-020000,, "JOINT RGI1/4",2,,,,,,,,,,,,,
5,1,,23393-020000,, "JOINT 90RGI1/4",2,,,,,,,,,,,,,
6,1,,23393-030000,, "JOINT 90RGI 3/8",4,,,,,,,,,,,,,
7,1,,933152-24120,, "O-RING (B)",2,,,,,,,,,,,,,
8,1,,933152-24120,, "O-RING (B)",3,,,,,,,,,,,,,
9,1,,933155-08481,, "CONNECTOR (A)",2,,,,,,,,,,,,,
10,1,,172434-78190,, HOSE,1,,,,,,,,,,,,,
11,1,,172434-78100,, HOSE,1,,,,,,,,,,,,,
12,1,,172434-78120,, HOSE,1,,,,,,,,,,,,,
13,1,,172434-78180,, HOSE,2,,,,,,,,,,,,,
14,1,,172434-78130,, HOSE,1,,,,,,,,,,,,,
15,1,,172434-78140,, HOSE,1,,,,,,,,,,,,,
16,1,,172434-78160,, HOSE,1,,,,,,,,,,,,,
17,1,,172168-76140,, "CONNECTOR UN3/4PF1/4",1,,,,,,,,,,,,,
18,2,,933152-24120,, "O-RING (B)",1,,,,,,,,,,,,,

Fig. 42 HYD. OIL PIPING (VALVE~SWIVEL~SWING)



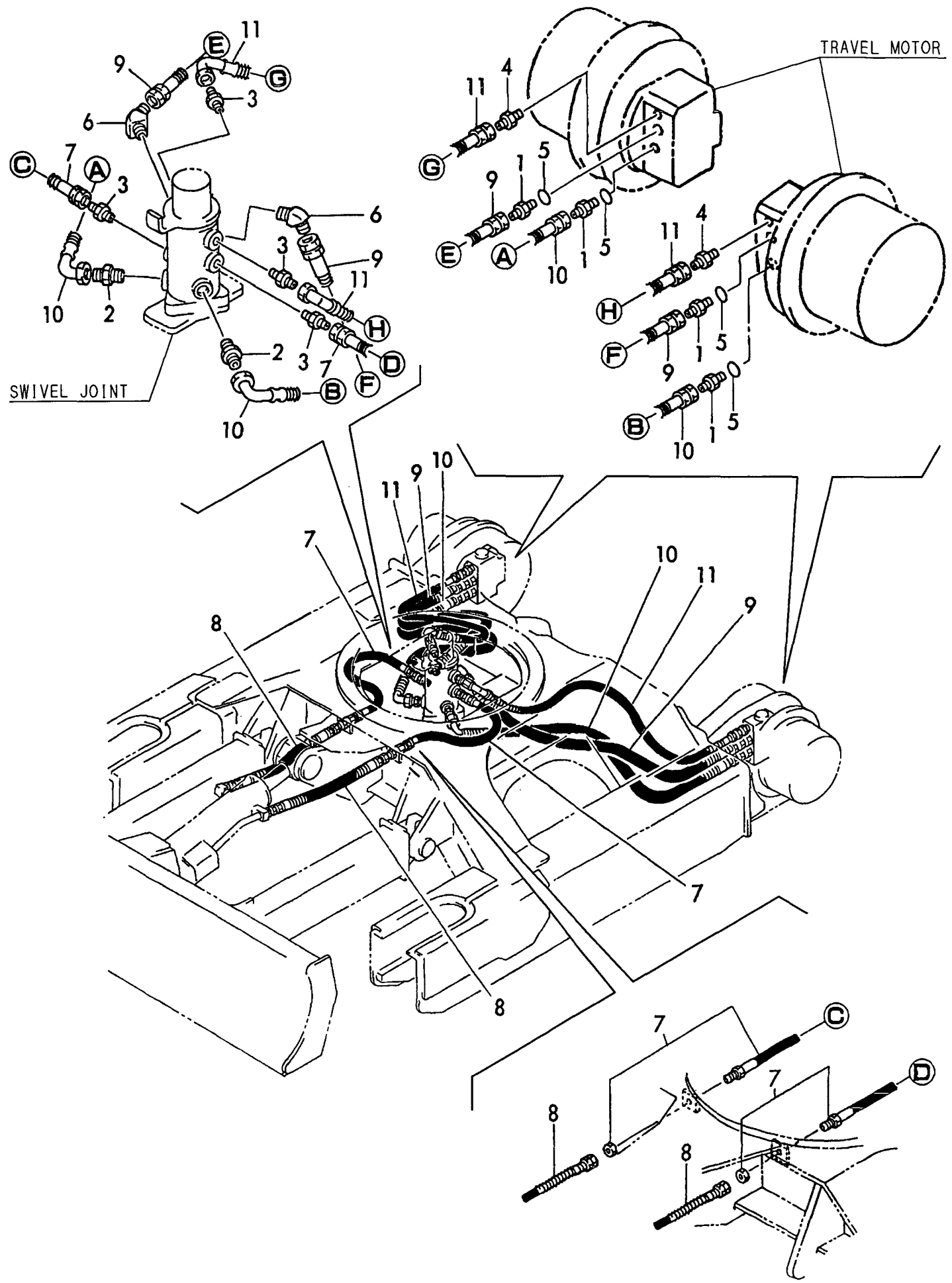
1,1,,172164-76110,,ELBOW,1,,,,,,,,,,,,,,,,,,,,,
2,1,,172168-76150,, "CONNECTOR UN7/8PF1/2",1,,,,,,,,,,,,,,,,,,,,,
3,2,,933152-07400,, "O-RING (A)",1,,,,,,,,,,,,,,,,,,,,,
4,1,,172168-76160,, "CONNECTOR PF1/2-3/8",1,,,,,,,,,,,,,,,,,,,,,
5,2,,24315-000140,, "O-RING 1B P-14.0",1,,,,,,,,,,,,,,,,,,,,,
6,1,,172165-76220,,NIPPLE,1,,,,,,,,,,,,,,,,,,,,,
7,1,,172168-76380,,JOINT,1,,,,,,,,,,,,,,,,,,,,,
8,1,,172168-76370,,ELBOW,1,,,,,,,,,,,,,,,,,,,,,
9,1,,23871-040000,, "PLUG PT1/2,SCREW",2,,,,,,,,,,,,,,,,,,,,,
10,1,,172170-78240,,HOSE,1,,,,,,,,,,,,,,,,,,,,,
11,1,,172168-78251,, "HOSE G608BC078S",1,,,,,,,,,,,,,,,,,,,,,
12,1,,172168-78320,, "HOSE G802BY060",1,,,,,,,,,,,,,,,,,,,,,
13,1,,23000-014000,, "CLAMP 14",2,,,,,,,,,,,,,,,,,,,,,
14,1,,23000-035000,, "CLAMP 35",2,,,,,,,,,,,,,,,,,,,,,
15,1,,172312-17260,, "GROMMET 22X2.3",1,,,,,,,,,,,,,,,,,,,,,
16,1,,172142-76290,, "GROMMET 28X2.3",1,,,,,,,,,,,,,,,,,,,,,

Fig. 43 HYD. OIL PIPING (RETURN)



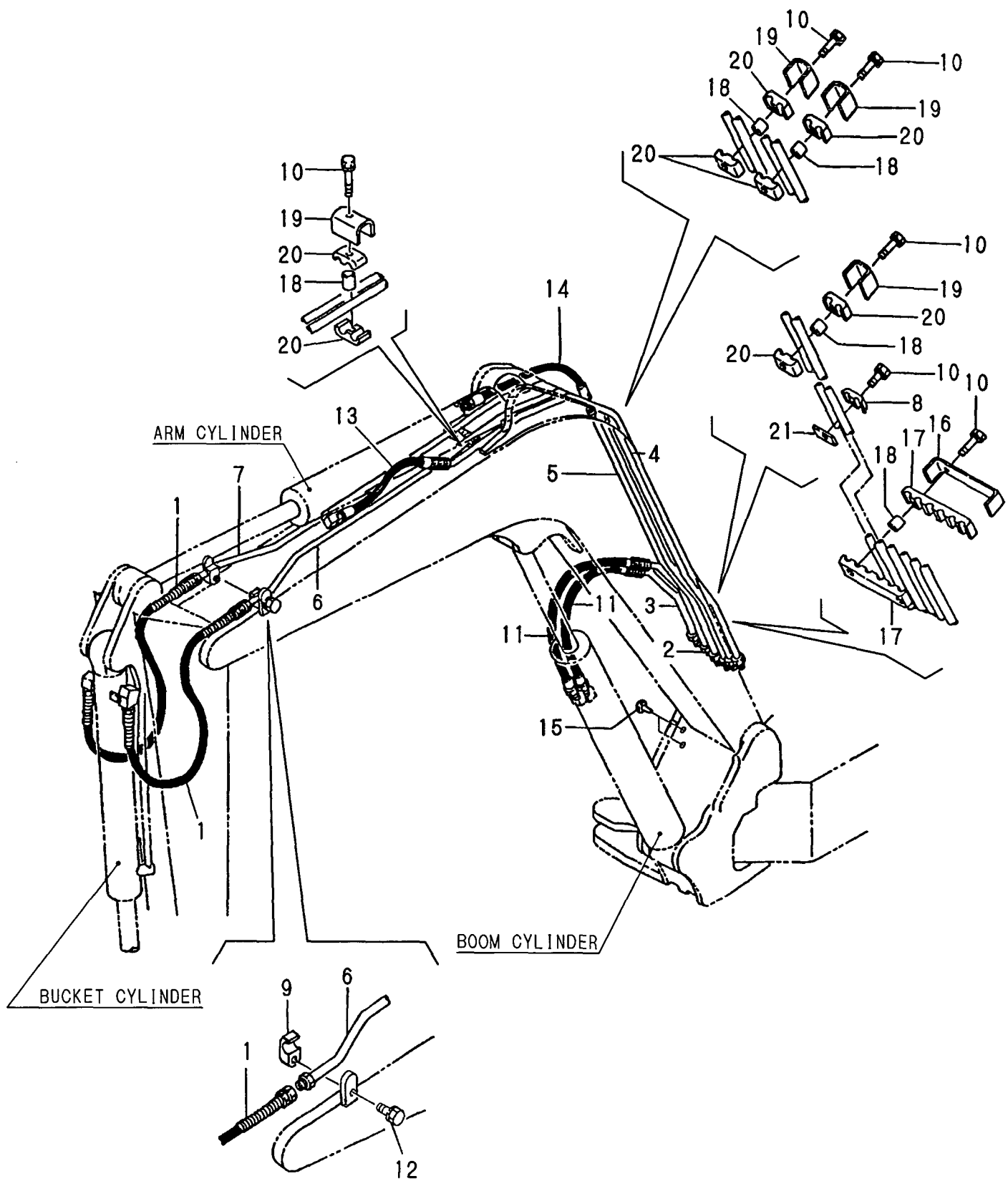
1,1,,172730-75140,,ADAPTOR,4,,,,,,,,,,,,,
2,1,,23391-030000,, "JOINT RGI 3/8",2,,,,,,,,,,,,,
3,1,,23391-020000,, "JOINT RGI1/4",4,,,,,,,,,,,,,
4,1,,23391-020000,, "JOINT RGI1/4",2,,,,,,,,,,,,,
5,1,,24315-000140,, "O-RING 1B P-14.0",4,,,,,,,,,,,,,
6,1,,23394-030000,, "JOINT 45RGI 3/8",2,,,,,,,,,,,,,
7,1,,172434-78110,,HOSE,2,,,,,,,,,,,,,
8,1,,172434-78240,,HOSE,2,,,,,,,,,,,,,
9,1,,172434-78250,,HOSE,2,,,,,,,,,,,,,
10,1,,172434-78260,,HOSE,2,,,,,,,,,,,,,
11,1,,172141-78490,,HOSE,2,,,,,,,,,,,,,

Fig. 44 HYD. OIL PIPING (TRAVEL)



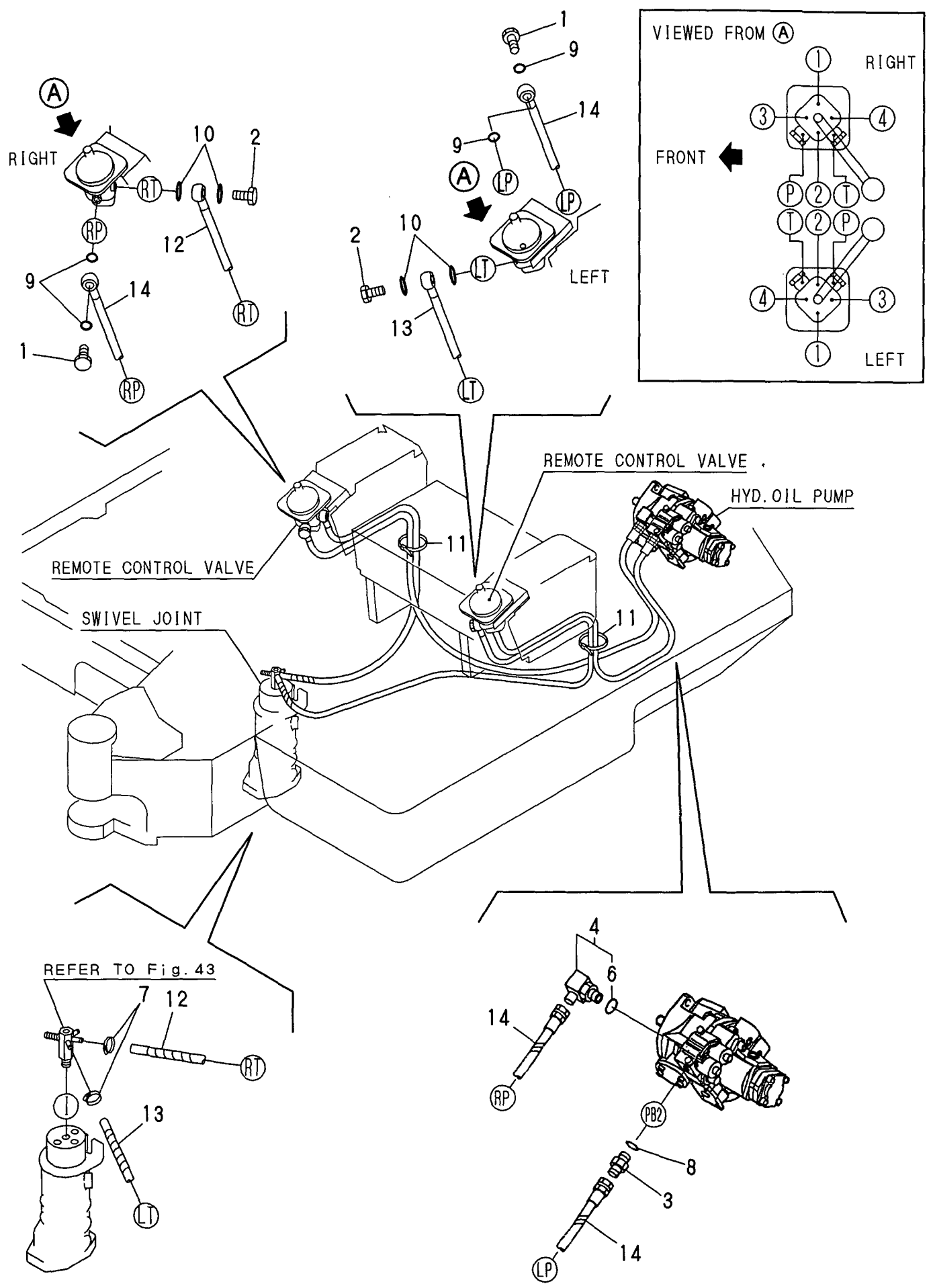
1,1,,172171-78770,, "HOSE G206AB078W",2,,,,,,,,,,,,,,,,,,,,,
2,1,,172142-76500-4,, "PIPE(A), BOOM(GREEN)",1,,,,,,,,,,,,,,,,,,,,,
3,1,,172142-76520-4,, "PIPE(B), BOOM(GREEN)",1,,,,,,,,,,,,,,,,,,,,,
4,1,,172171-76541-4,, "TUBE W/BUSH,ARM",1,,,,,,,,,,,,,,,,,,,,,
5,1,,172171-76560-4,, "TUBE W/BUSH,ARM",1,,,,,,,,,,,,,,,,,,,,,
6,1,,172171-76581-4,, "TUBE, BUCKET",1,,,,,,,,,,,,,,,,,,,,,
7,1,,172171-76600-4,, "TUBE, BUCKET",1,,,,,,,,,,,,,,,,,,,,,
8,1,,172141-76670-4,, "CLAMP, PIPE(A) (GREEN)",1,,,,,,,,,,,,,,,,,,,,,
9,1,,172183-76230,, CLAMP,2,,,,,,,,,,,,,,,,,,,,,
10,1,,26013-100352,, "BOLT M10X 35",8,,,,,,,,,,,,,,,,,,,,,
11,1,,172434-78200,, HOSE,2,,,,,,,,,,,,,,,,,,,,,
12,1,,26013-120352,, "BOLT M12X 35",2,,,,,,,,,,,,,,,,,,,,,
13,1,,172434-78210,, HOSE,1,,,,,,,,,,,,,,,,,,,,,
14,1,,172434-78220,, HOSE,1,,,,,,,,,,,,,,,,,,,,,
15,1,,172183-81160,, "TREE CLIP",2,,,,,,,,,,,,,,,,,,,,,
16,1,,172175-76401,, "CLAMP, TUBE(GREEN:97)",1,,,,,,,,,,,,,,,,,,,,,
17,1,,172175-76411,, "RUBBER, TUBE",2,,,,,,,,,,,,,,,,,,,,,
18,1,,172175-76420,, "COLLAR, TUBE",7,,,,,,,,,,,,,,,,,,,,,
19,1,,172175-76431,, "CLAMP T4.5(GREEN:97)",4,,,,,,,,,,,,,,,,,,,,,
20,1,,172175-76440,, "RUBBER, TUBE",8,,,,,,,,,,,,,,,,,,,,,
21,1,,172175-76450-4,, "PLATE (GREEN)",1,,,,,,,,,,,,,,,,,,,,,

Fig. 45 HYD. OIL PIPING (BOOM)



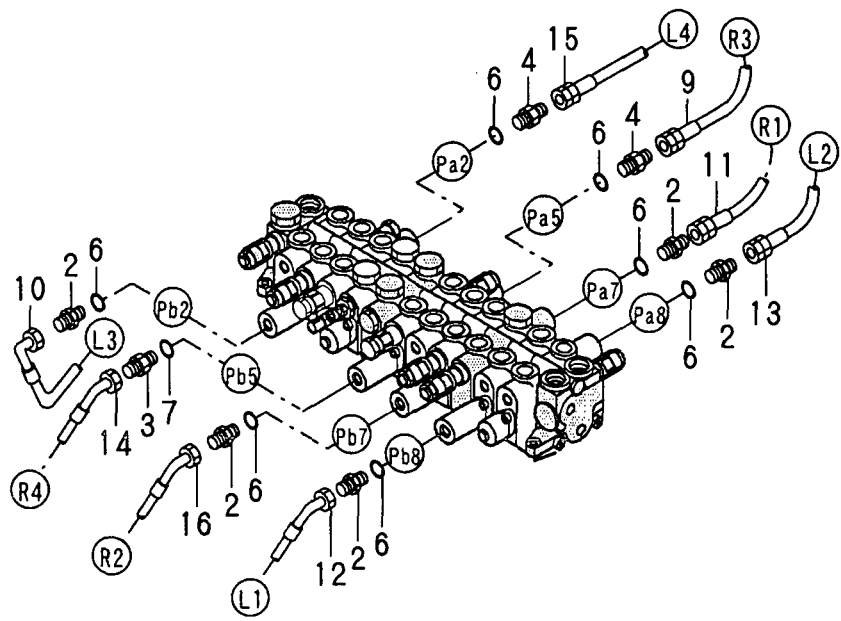
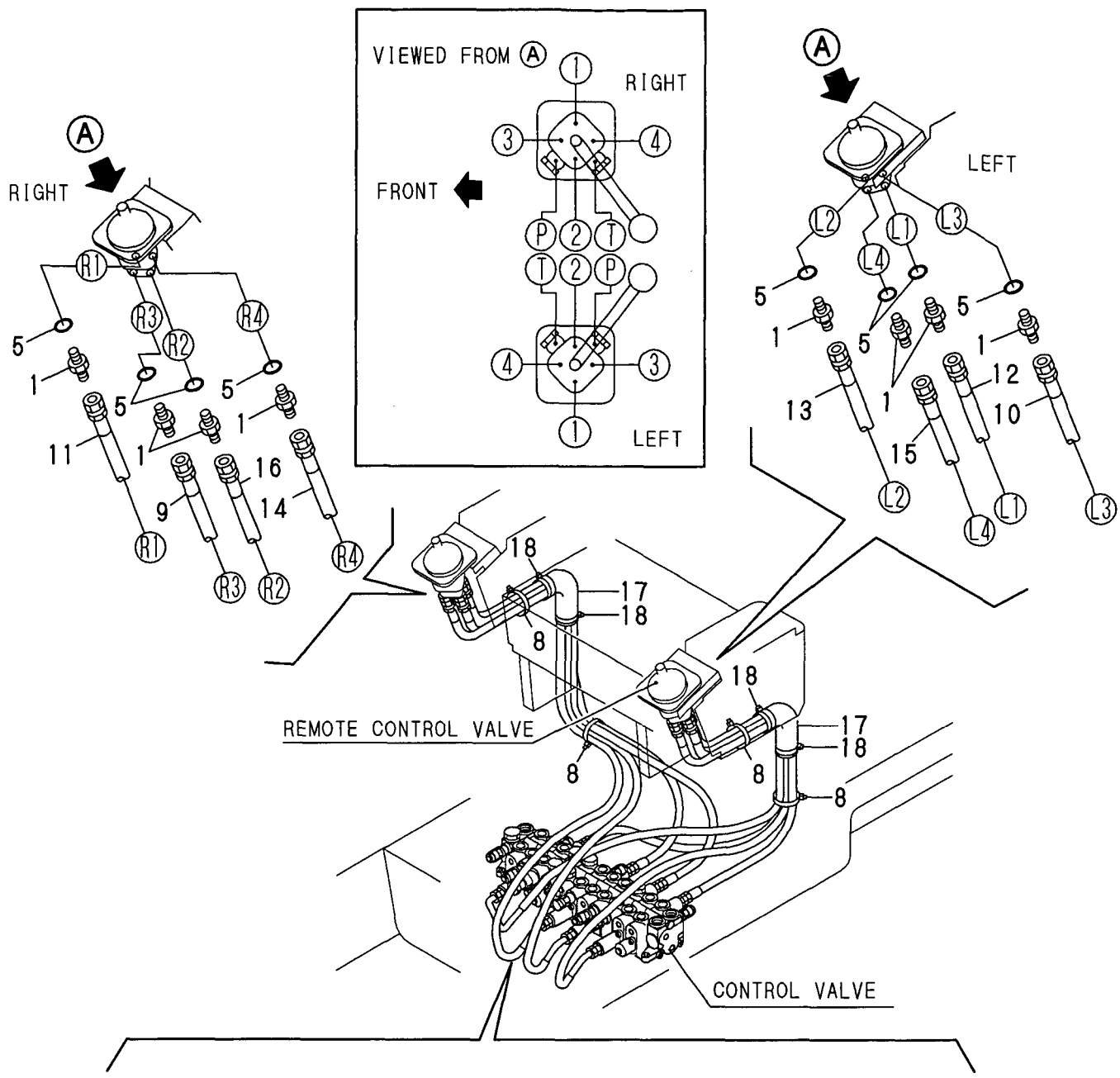
1,1,,172151-76030,, "BOLT, PIPE JOINT",2,,,,,,,,,,,,,,,,,,,,,
2,1,,172151-76040,, "BOLT, PIPE JOINT",2,,,,,,,,,,,,,,,,,,,,,
3,1,,172123-76120,, "CONNECTOR PF1/4",1,,,,,,,,,,,,,,,,,,,,,
4,1,,172141-76180,, CONNECTOR,1,,,,,,,,,,,,,,,,,,,,,
6,2,,24315-000110,, "O-RING 1B P-11.0",1,,,,,,,,,,,,,,,,,,,,,
7,1,,23010-014000,, "CLAMP 14",2,,,,,,,,,,,,,,,,,,,,,
8,1,,24315-000110,, "O-RING 1B P-11.0",1,,,,,,,,,,,,,,,,,,,,,
9,1,,24315-000180,, "O-RING 1B P-18.0",4,,,,,,,,,,,,,,,,,,,,,
10,1,,24315-000180,, "O-RING 1B P-18.0",4,,,,,,,,,,,,,,,,,,,,,
11,1,,194202-56460,, BAND,2,,,,,,,,,,,,,,,,,,,,,
12,1,,172170-78200,, HOSE,1,,,,,,,,,,,,,,,,,,,,,
13,1,,172164-78530,, "HOSE G604BY185S T",1,,,,,,,,,,,,,,,,,,,,,
14,1,,172165-78880,, HOSE,2,,,,,,,,,,,,,,,,,,,,,

Fig. 46 CONTROL PIPING (PUMP~REMO.-CON. V.~RETURN)



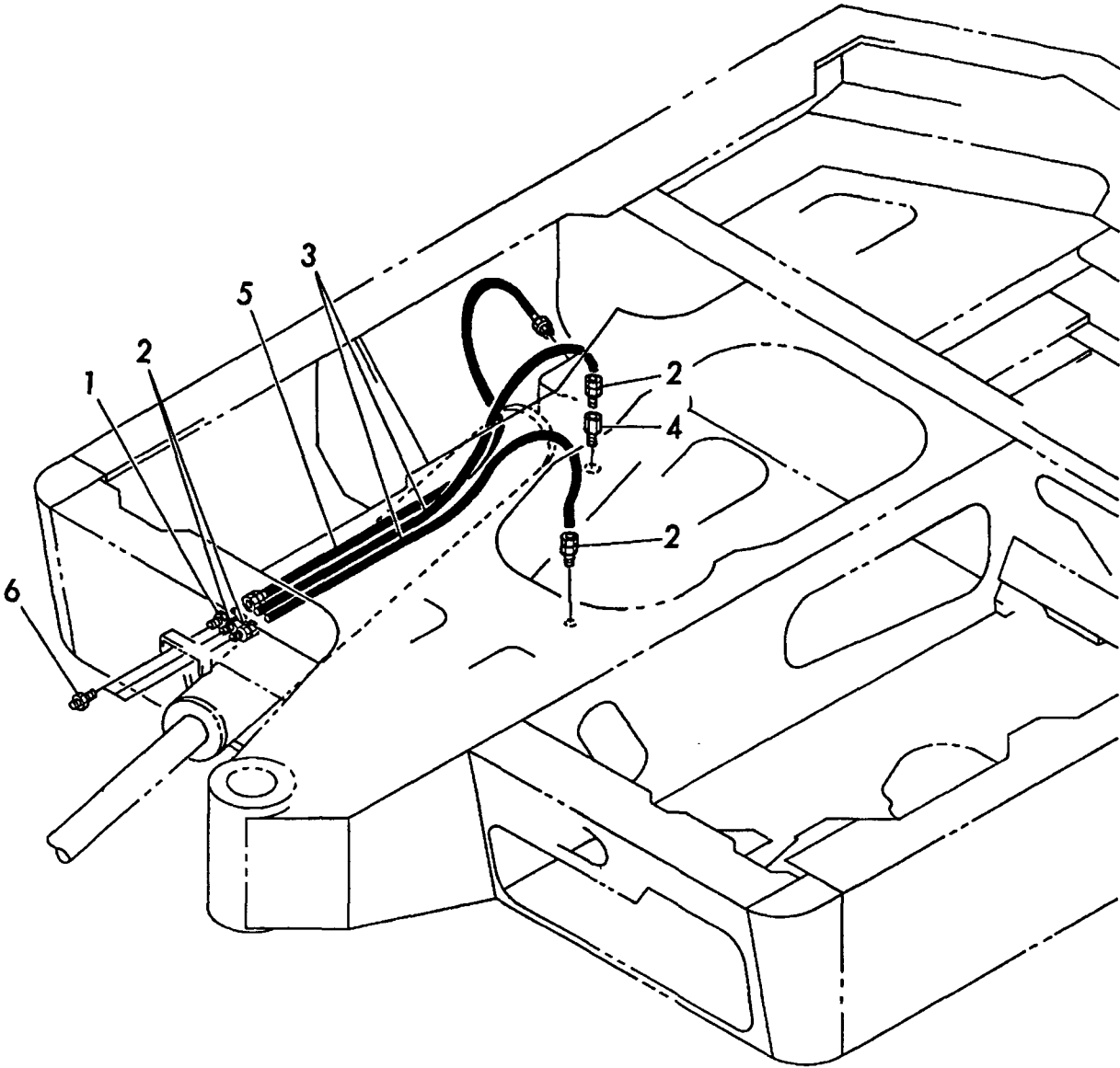
1,1,,172123-76120,, "CONNECTOR PF1/4",8,,,,,,,,,,,,,,,,,,,,,
2,1,,172123-76120,, "CONNECTOR PF1/4",5,,,,,,,,,,,,,,,,,,,,,
3,1,,172168-76550,, "JOINT PF1/4-0.9",1,,,,,,,,,,,,,,,,,,,,,
4,1,,172162-76770,, "JOINT PF1/4",2,,,,,,,,,,,,,,,,,,,,,
5,1,,24315-000110,, "O-RING 1B P-11.0",8,,,,,,,,,,,,,,,,,,,,,
6,1,,24315-000110,, "O-RING 1B P-11.0",7,,,,,,,,,,,,,,,,,,,,,
7,1,,24315-000110,, "O-RING 1B P-11.0",1,,,,,,,,,,,,,,,,,,,,,
8,1,,194202-56460,, BAND,4,,,,,,,,,,,,,,,,,,,,,
9,1,,172165-79220,, HOSE,1,,,,,,,,,,,,,,,,,,,,,
10,1,,172165-79290,, HOSE,1,,,,,,,,,,,,,,,,,,,,,
11,1,,172165-79300,, HOSE,1,,,,,,,,,,,,,,,,,,,,,
12,1,,172165-79310,, HOSE,1,,,,,,,,,,,,,,,,,,,,,
13,1,,172165-79340,, HOSE,1,,,,,,,,,,,,,,,,,,,,,
14,1,,172165-79350,, HOSE,1,,,,,,,,,,,,,,,,,,,,,
15,1,,172165-79360,, HOSE,1,,,,,,,,,,,,,,,,,,,,,
16,1,,172165-79370,, HOSE,1,,,,,,,,,,,,,,,,,,,,,
17,1,,172165-79810,, SPONGE,2,,,,,,,,,,,,,,,,,,,,,
18,1,,172122-79930,, "CLAMP B",4,,,,,,,,,,,,,,,,,,,,,

Fig. 47 CONTROL PIPING (REMO.-CON. V.~CONTROL V.)



1,1,,172112-77580,, "JOINT 1/8",1,,,,,,,,,,,,,,,,,,,,,
2,1,,172141-77800,, "JOINT, GREASE",4,,,,,,,,,,,,,,,,,,,,,
3,1,,172142-77811,, HOSE,2,,,,,,,,,,,,,,,,,,,,,
4,1,,172312-77820,, "FITTING, GREASE",1,,,,,,,,,,,,,,,,,,,,,
5,1,,172149-78500,, HOSE,1,,,,,,,,,,,,,,,,,,,,,
6,1,,24761-020000,, "NIPPLE PT1/8,GREASE",3,,,,,,,,,,,,,,,,,,,,,

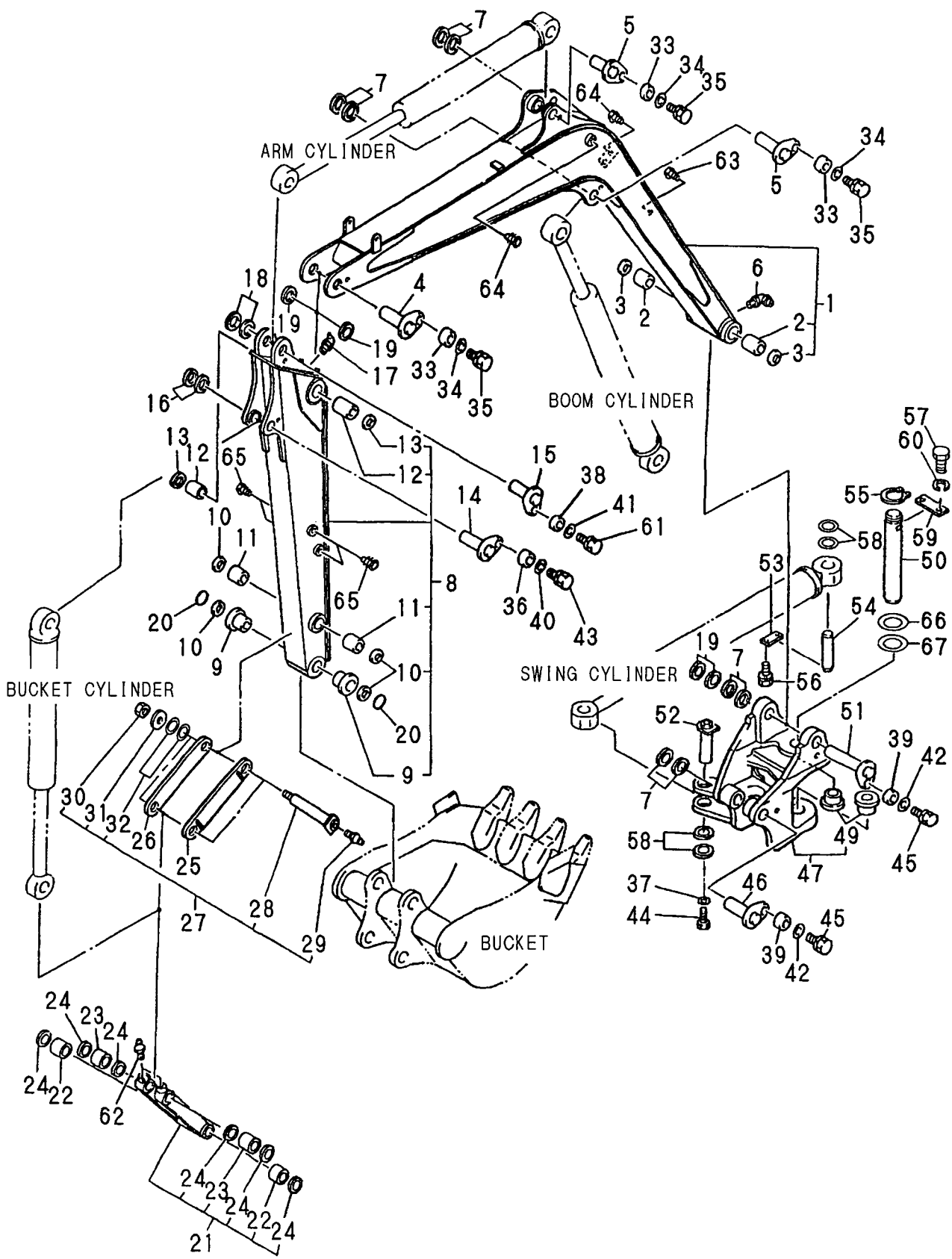
Fig. 48 GREASING



1,1,,172171-81103-4,, "BOOM ASSY",1,,,,,,,,,,,,,,,,,,,,,
2,2,,172116-82400,, "PIN BUSH 38X55",2,,,,,,,,,,,,,,,,,,,,,
3,2,,172168-81400,, "SEAL,DUST 38X48X4",2,,,,,,,,,,,,,,,,,,,,,
4,1,,172141-81401-4,, "PIN 38-164",1,,,,,,,,,,,,,,,,,,,,,
5,1,,172141-81421-4,, "PIN 38-120",2,,,,,,,,,,,,,,,,,,,,,
6,1,,24761-050000,, "NIPPLE C,GREASE",1,,,,,,,,,,,,,,,,,,,,,
7,1,,933171-29750,, "SHIM SET, PIN 38",4,,,,,,,,,,,,,,,,,,,,,
8,1,,172141-82104-4,, "ARM 1080.W/BUSH",1,,,,,,,,,,,,,,,,,,,,,
9,2,,172171-81261,, "BUSH 35X50",2,,,,,,,,,,,,,,,,,,,,,
10,2,,172171-81280,, "SEAL 35X45X4",4,,,,,,,,,,,,,,,,,,,,,
11,2,,172141-82270,, "BUSH 35 45",2,,,,,,,,,,,,,,,,,,,,,
12,2,,172141-82280,, "BUSH 38 45, PIN",2,,,,,,,,,,,,,,,,,,,,,
13,2,,172168-81400,, "SEAL,DUST 38X48X4",2,,,,,,,,,,,,,,,,,,,,,
14,1,,172141-82301-4,, "PIN 35-92",1,,,,,,,,,,,,,,,,,,,,,
15,1,,172122-82302-4,, "PIN ASSY.,ARM",1,,,,,,,,,,,,,,,,,,,,,
16,1,,172141-84601,, "SHIM 35",1,,,,,,,,,,,,,,,,,,,,,
17,1,,24761-040000,, "NIPPLE B,GREASE",1,,,,,,,,,,,,,,,,,,,,,
18,1,,933171-29750,, "SHIM SET, PIN 38",1,,,,,,,,,,,,,,,,,,,,,
19,1,,172171-82510,, "SHIM 39X75 COMP",2,,,,,,,,,,,,,,,,,,,,,
20,1,,172171-81270,, O-RING,2,,,,,,,,,,,,,,,,,,,,,
21,1,,172141-84402,, "BUCKET LINK",1,,,,,,,,,,,,,,,,,,,,,
22,2,,172141-82270,, "BUSH 35 45",2,,,,,,,,,,,,,,,,,,,,,
23,2,,172141-72561,, "BUSH 35 40 A, PIN",2,,,,,,,,,,,,,,,,,,,,,
24,2,,172171-81280,, "SEAL 35X45X4",6,,,,,,,,,,,,,,,,,,,,,
25,1,,172141-84500-4,, "ARM(L),BUCKET",1,,,,,,,,,,,,,,,,,,,,,
26,1,,172141-84510-4,, "ARM(R),BUCKET",1,,,,,,,,,,,,,,,,,,,,,
27,1,,172141-99470-4,, "PIN KIT,ARM",2,,,,,,,,,,,,,,,,,,,,,
28,2,,172141-84550-4,, "PIN 35-152",2,,,,,,,,,,,,,,,,,,,,,
29,2,,24761-020000,, "NIPPLE PT1/8,GREASE",2,,,,,,,,,,,,,,,,,,,,,
30,2,,933110-86600,, "NUT M24, NYLON",2,,,,,,,,,,,,,,,,,,,,,
31,2,,933171-29760,, WASHER,2,,,,,,,,,,,,,,,,,,,,,
32,2,,172141-84601,, "SHIM 35",2,,,,,,,,,,,,,,,,,,,,,
33,1,,172164-81670,, SPACER,3,,,,,,,,,,,,,,,,,,,,,
34,1,,22157-120000,, "WASHER 12",3,,,,,,,,,,,,,,,,,,,,,
35,1,,26013-120302,, "BOLT W/WASHER M12X30",3,,,,,,,,,,,,,,,,,,,,,
36,1,,172010-01640,, SPACER,1,,,,,,,,,,,,,,,,,,,,,
37,1,,172146-82910,, SPACER,1,,,,,,,,,,,,,,,,,,,,,
38,1,,172164-81670,, SPACER,1,,,,,,,,,,,,,,,,,,,,,
39,1,,172164-81670,, SPACER,2,,,,,,,,,,,,,,,,,,,,,
40,1,,22157-100000,, "WASHER 10",1,,,,,,,,,,,,,,,,,,,,,
41,1,,22157-120000,, "WASHER 12",1,,,,,,,,,,,,,,,,,,,,,
42,1,,22157-120000,, "WASHER 12",2,,,,,,,,,,,,,,,,,,,,,
43,1,,26013-100252,, "BOLT W/WASHER M10X25",1,,,,,,,,,,,,,,,,,,,,,
44,1,,26013-120252,, "BOLT M12X 25",1,,,,,,,,,,,,,,,,,,,,,
45,1,,26013-120302,, "BOLT W/WASHER M12X30",2,,,,,,,,,,,,,,,,,,,,,
46,1,,172141-81401-4,, "PIN 38-164",1,,,,,,,,,,,,,,,,,,,,,
47,1,,172141-83291-4,, "BRACKET,BOOM (GREEN)",1,,,,,,,,,,,,,,,,,,,,,
49,2,,172141-83330,, "BUSH 50X45",2,,,,,,,,,,,,,,,,,,,,,
50,1,,172171-82310,, "PIN 50X292",1,,,,,,,,,,,,,,,,,,,,,
51,1,,172141-83341-4,, "PIN 38-226",1,,,,,,,,,,,,,,,,,,,,,
52,1,,172141-83372-4,, "PIN 38-94",1,,,,,,,,,,,,,,,,,,,,,
53,1,,172141-83390,, "PLATE, PIN LOCK",1,,,,,,,,,,,,,,,,,,,,,
54,1,,172141-94260,, "PIN 38-130",1,,,,,,,,,,,,,,,,,,,,,
55,1,,22242-000500,, "CIRCLIP 50",1,,,,,,,,,,,,,,,,,,,,,
56,1,,26013-100252,, "BOLT W/WASHER M10X25",2,,,,,,,,,,,,,,,,,,,,,
57,1,,26116-160402,, "BOLT M16X 40 PLATED",2,,,,,,,,,,,,,,,,,,,,,
58,1,,933171-29750,, "SHIM SET, PIN 38",2,,,,,,,,,,,,,,,,,,,,,
59,1,,172141-83400,, PLATE,1,,,,,,,,,,,,,,,,,,,,,
60,1,,22217-160000,, "SPRING WASHER 16",2,,,,,,,,,,,,,,,,,,,,,
61,1,,26013-120302,, "BOLT W/WASHER M12X30",1,,,,,,,,,,,,,,,,,,,,,
62,1,,24761-020000,, "NIPPLE PT1/8,GREASE",2,,,,,,,,,,,,,,,,,,,,,
63,1,,172183-81160,, "TREE CLIP",1,,,,,,,,,,,,,,,,,,,,,
64,1,,172183-81170,, "TREE CLIP",2,,,,,,,,,,,,,,,,,,,,,

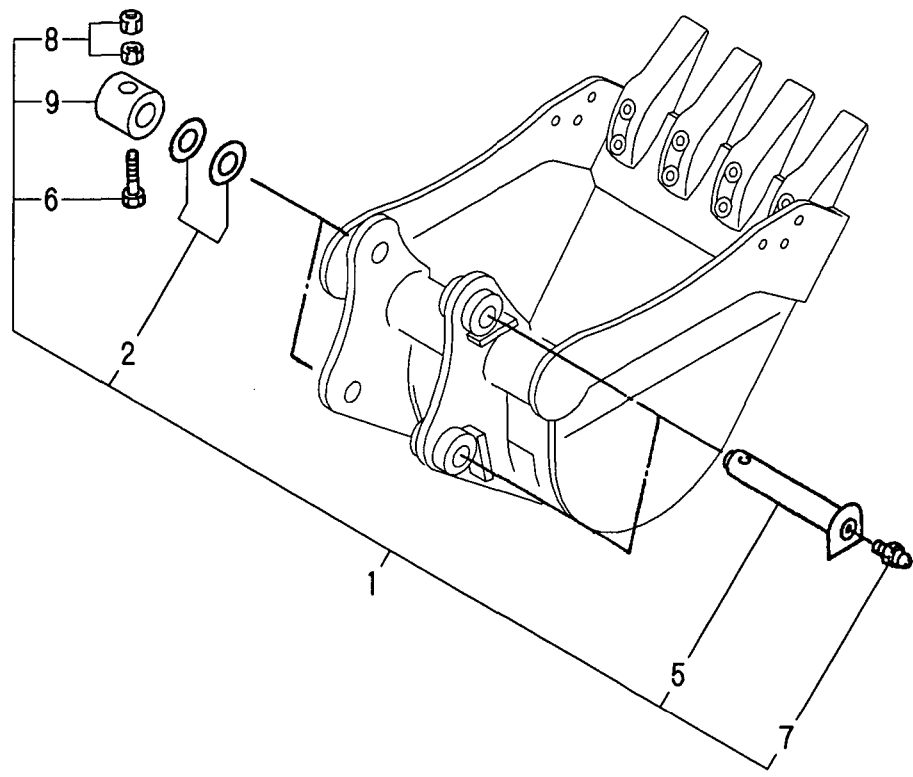
65,1,,172183-81160,, "TREE CLIP",4,,,,,,,,,,,,,,,,,,,,,
66,1,,172173-81700,, SHIM,1,,,,,,,,,,,,,,,,,,,,,
67,1,,172173-81710,, SHIM,1,,,,,,,,,,,,,,,,,,,,,

Fig. 49 BOOM & ARM



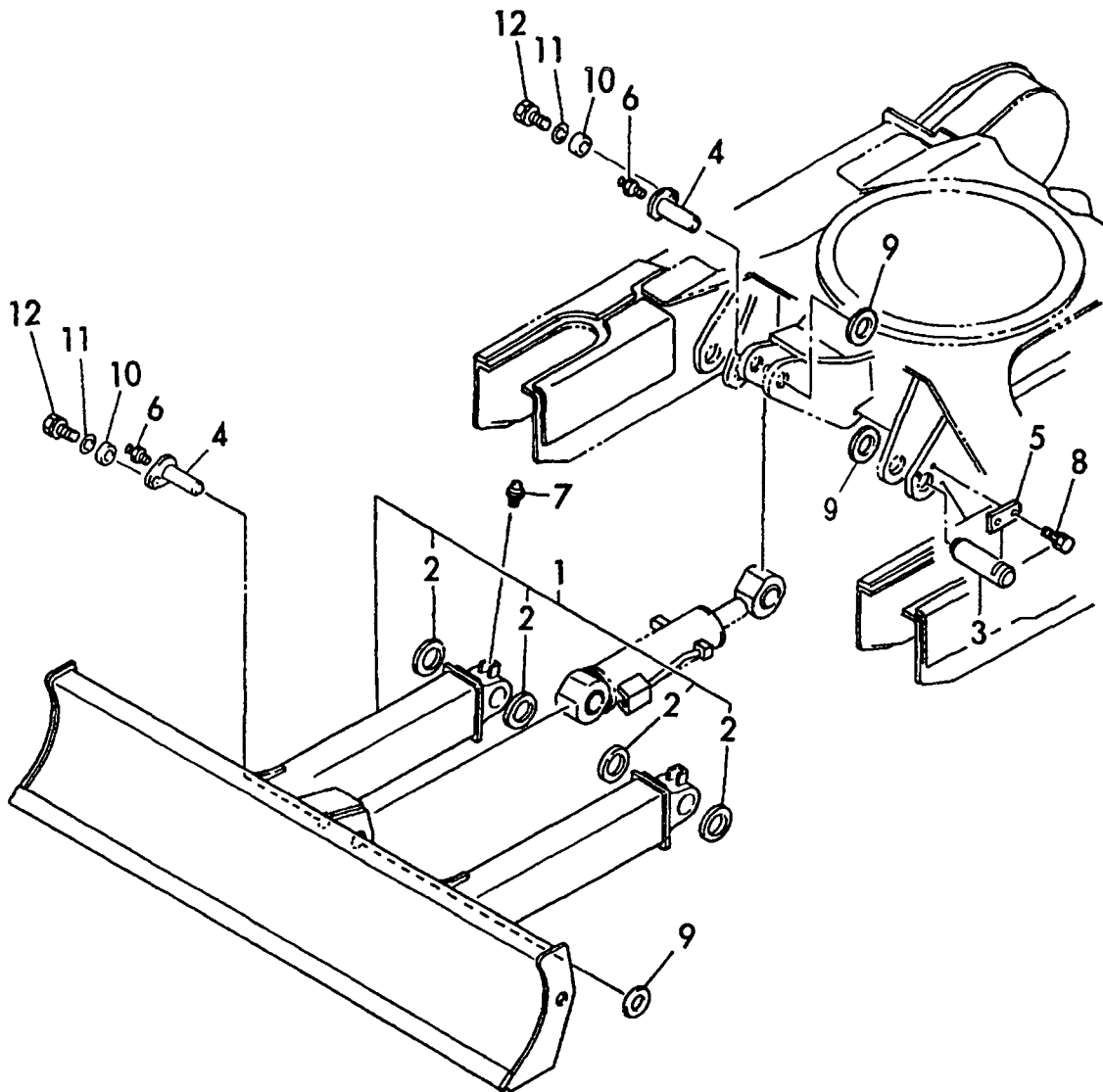
1,1,,172173-99460,, "PIN KIT, BUCKET",2,,,,,,,,,,,,,,,,,,,,,
2,2,,172141-84601,, "SHIM 35",2,,,,,,,,,,,,,,,,,,,,,
5,2,,172141-86252-1,, "PIN 35-195",2,,,,,,,,,,,,,,,,,,,,,
6,2,,26116-100652,, "BOLT M10X 65 PLATED",2,,,,,,,,,,,,,,,,,,,,,
7,2,,24761-020000,, "NIPPLE PT1/8,GREASE",2,,,,,,,,,,,,,,,,,,,,,
8,2,,26716-100002,, "NUT 10",4,,,,,,,,,,,,,,,,,,,,,
9,2,,172171-81500,, "COLLAR 35X48.6X22",2,,,,,,,,,,,,,,,,,,,,,

Fig. 50 BUCKET PIN



1,1,,172141-94103,, "BLADE 850",1,,,,,,,,,,,,,,,,,,,,,
2,2,,172168-81270,, "SEAL,DUST 38X50X4",4,,,,,,,,,,,,,,,,,,,,,
3,1,,172141-94260,, "PIN 38-130",2,,,,,,,,,,,,,,,,,,,,,
4,1,,172141-94271-1,, "PIN 38-94",2,,,,,,,,,,,,,,,,,,,,,
5,1,,172124-94310,, "PLATE, LOCK",2,,,,,,,,,,,,,,,,,,,,,
6,1,,24761-020000,, "NIPPLE PT1/8,GREASE",2,,,,,,,,,,,,,,,,,,,,,
7,1,,24761-040000,, "NIPPLE B,GREASE",2,,,,,,,,,,,,,,,,,,,,,
8,1,,26013-100252,, "BOLT W/WASHER M10X25",4,,,,,,,,,,,,,,,,,,,,,
9,1,,933171-29750,, "SHIM SET, PIN 38",4,,,,,,,,,,,,,,,,,,,,,
10,1,,172164-81670,, "SPACER",2,,,,,,,,,,,,,,,,,,,,,
11,1,,22157-120000,, "WASHER 12",2,,,,,,,,,,,,,,,,,,,,,
12,1,,26013-120302,, "BOLT W/WASHER M12X30",2,,,,,,,,,,,,,,,,,,,,,

Fig. 51 BLADE (850)



Y00S3870,"Construction equipment",Excavator,B
[Info]
PcNo=Y00S3870
PcName=B22-2B(ÉËÅÏ)(B5871)
JpnUse=0
JpnSec1=
JpnSec2=
JpnSec3=
JpnPreface=0
EngUse=1
EngSec1=CONSTRUCTION
EngSec2=EXCAVATOR (B)
EngSec3=B
EngPreface=1

0,Y00S3870
1,001,, "VEHICLE B22-2B(PANAMA] j"
2,1,, LABEL,B22-2B,,,
2,2,, TOOL,B22-2B,,,
2,3,, "INLET HOSE & EXHAUST PIPE",B22-2B,,,
2,4,, ACCELERATOR,B22-2B,,,
2,5,, "ENGINE MOUNT",B22-2B,,,
2,6,, "RADIATOR & MOUNT",B22-2B,,,
2,7,, "FUEL TANK & FUEL PIPE",B22-2B,,,
2,8,, BATTERY,B22-2B,,,
2,9,, "ELECTRIC PART",B22-2B,,,
2,10,, "WORK LAMP",B22-2B,,,
2,11,, "ROLLER & ADJUST",B22-2B,,,
2,12,, CRAWLER,B22-2B,,,
2,13,, "CONTROL EQUIPMENT(LEVER STAND",B22-2B,,,
2,14,, "CONTROL EQUIPMENT(TRAVEL)",B22-2B,,,
2,15,, "CONTROL EQUIPMENT(SWING)",B22-2B,,,
2,16,, "CONTROL EQUIPMENT(BLADE)",B22-2B,,,
2,17,, "CONTROL EQUIPMENT(CUT OFF LEVE",B22-2B,,,
2,18,, "FRAME & TURNING BEARING",B22-2B,,,
2,19,, "FRAME COVER",B22-2B,,,
2,20,, STEP,B22-2B,,,
2,21,, "SEAT & SEAT MOUNT",B22-2B,,,
2,22,, BONNET,B22-2B,,,
2,23,, CANOPY,B22-2B,,,
2,24,, "HYD.OIL PUMP & JOINT",B22-2B,,,
2,25,, "BOOM CYLINDER",B22-2B,,,
2,26,, "ARM CYLINDER",B22-2B,,,
2,27,, "BUCKET CYLINDER",B22-2B,,,
2,28,, "SWING CYLINDER",B22-2B,,,
2,29,, "BLADE CYLINDER",B22-2B,,,
2,30,, "TRAVEL MOTOR",B22-2B,,,
2,31,, "TURNING MOTOR",B22-2B,,,
2,32,, "SWIVEL JOINT",B22-2B,,,
2,33,, "CONTROL VALVE(P PORT)",B22-2B,,,
2,34,, "CONTROL VALVE(TRAVEL)",B22-2B,,,
2,35,, "CONTROL VALVE(ARM & SWING)",B22-2B,,,
2,36,, "CONTROL VALVE(BOOM & BUCKET)",B22-2B,,,
2,37,, "CONTROL VALVE(TURNING & BLADE)",B22-2B,,,
2,38,, "REMOTE CONTROL VALVE",B22-2B,,,
2,39,, "HYD.OIL TANK",B22-2B,,,
2,40,, "HYD.OIL PIPING(TANK-PUMP-VALVE",B22-2B,,,
2,41,, "HYD.OIL PIPING(VALVE-MOTOR-BOO",B22-2B,,,
2,42,, "HYD.OIL PIPING(VALVE-SWIVEL-SW",B22-2B,,,
2,43,, "HYD.OIL PIPING(RETURN)",B22-2B,,,
2,44,, "HYD.OIL PIPING(TRAVEL)",B22-2B,,,
2,45,, "HYD.OIL PIPING(BOOM)",B22-2B,,,
2,46,, "CONTROL PIPING(PUMP-REMO.-CON.",B22-2B,,,
2,47,, "CONTROL PIPING(REMO.-CON.V.-CO",B22-2B,,,
2,48,, GREASING,B22-2B,,,
2,49,, "BOOM & ARM",B22-2B,,,
2,50,, "BUCKET PIN",B22-2B,,,
2,51,, BLADE(850),B22-2B,,,