

# P R E F A C E

1. This parts catalog is the last edition of Yanmar crawler backhoe B22 - 2 for Europe.

## 2. Parts catalog history

	Parts catalog No.	Published	Remarks
First edition	000Y00S3240	Dec., 1992	Scrap old edition
Last edition	000Y00S3241	Jan., 1996	

## 3. Model Name

SECTION	Model	Manufactured	Machine No.
I (Vehicle)	B22 - 2	92/8~94/11	30501~31409
II (Engine)	3TN75L - RB1	92/6~94/11	44461~48831

## 4. Model Code

Model	Model code
B22 - 2 C - EP	172171ケ
B22 - 2 CR - EP	172171ク
B22 - 2 P - EP	172171キ
B22 - 2 PR - EP	172171カ
B22 - 2 OPTION	172174E
3TN75L - RB1	Q19830A, BBB, U26

5. Your understanding is asking that this Parts catalog is not a technical data manual setting forth as servicing procedures, this Parts catalog is using simplified illustration, the contents of Parts catalog may be altered with prior notice.

Be sure to use Yanmar Genuine Parts in your maintenance servicing of Yanmar products.

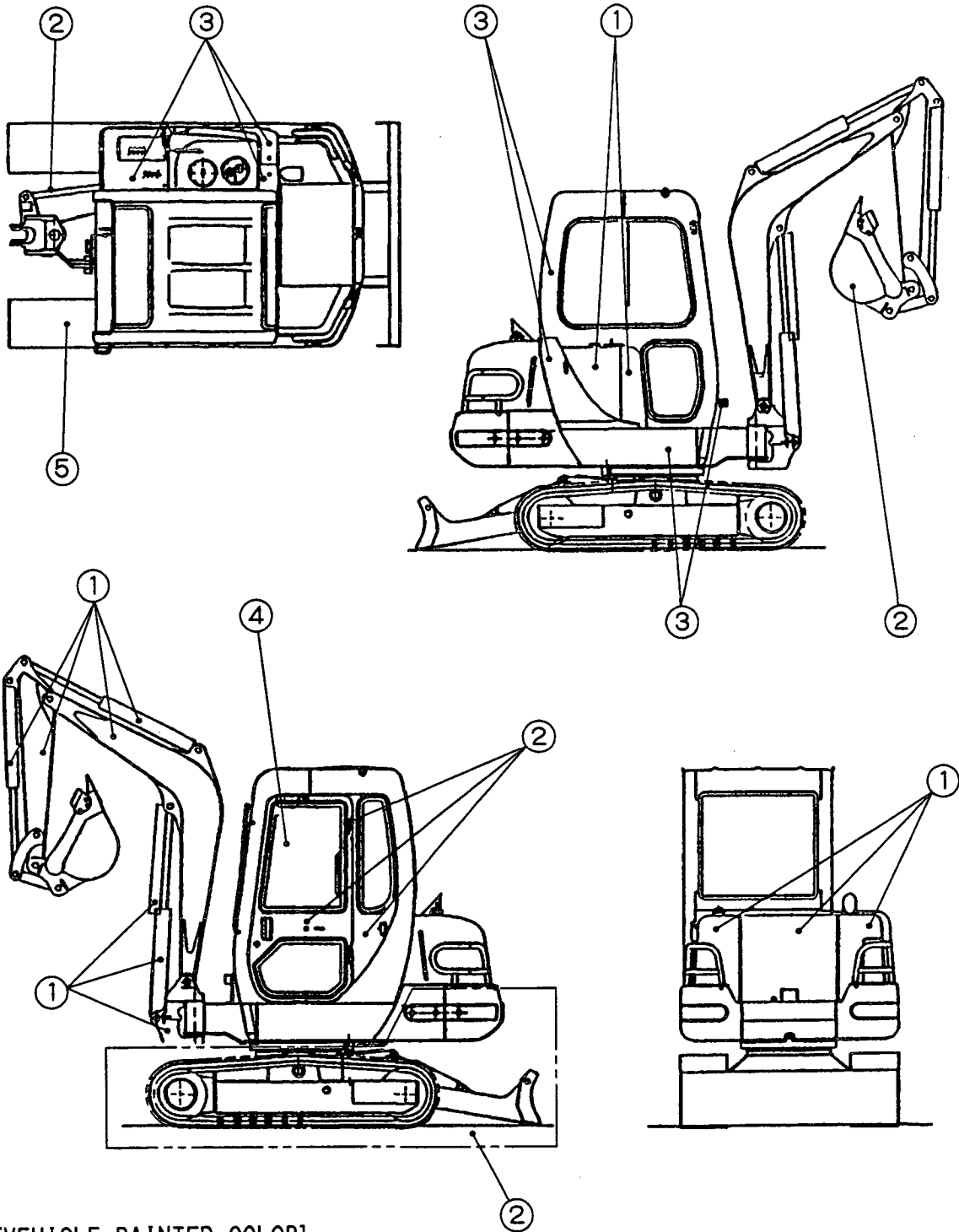
Be careful not to use the simple parts available in the market ; otherwise their use in repairing causes such as an early breakage, for instance.

# SPECIFICATIONS

Name			<b>YANMAR CRAWLER BACKHOE</b>	
Model			<b>B22 - 2 - P[R]</b>	<b>B22 - 2 - C[R]</b>
Engine	Model		Vertical 3 - cylinder water - cooled diesel	
	Type		3TN75L - RB1	
Dimensions	Transport length	mm	4120	
	Transport width	mm	1400	1445
	Transport height	mm	2340	2390
Std. bucket capacity		m <sup>3</sup>	0.06 (0.10 old)	
Std. bucket width(Outside)		mm	490	
Max. digging depth		mm	2360 (Blade 2500)	
Max. cutting height		mm	4185	3745
Max. dump height		mm	2965	2575
Max. reach at ground level		mm	4040	
Min. swing radius		mm	1515 (Swing 1160)	1700 (Swing 1345)
Boom swing angle		degree	Left 50 & Right 90	
Max. digging force(Std. bucket)		kgf	1700	
Travel speed		km/h	2.3 [2.4]	
Gradability		degree	30	
Average ground pressure		kgf/cm <sup>2</sup>	0.29 [0.28]	0.31 [0.30]
Track shoe width(Std.)		mm	270 [280]	
Blade	Width × height	mm	1360 × 300	
	Capacity	m <sup>3</sup>	0.123	
Machine mass		kg	2200 [2150]	2350 [2300]

[ ] shows to the specification of rubber crawler.

## TABLE OF PAINTED COLOR



[VEHICLE PAINTED COLOR]

PART	PAINTED COLOR	MUNSEL No.	16L CAN	SPRAY
①	YANMAR NEW PERMANENT YELLOW	5. 2Y8. 5/11	981101-09519	977620-30871
②	YANMAR NEW DEEP GREEN	0. 6B2. 2/4. 2	981101-09588	977620-30881
③	YANMAR NEW GRAYISH GREEN	2. 9BG4. 8/3. 0	981101-09616	977620-30861
④	YANMAR DARK OLIVE GRAY	5. 39Y2. 97/0. 78	—————	TOR-90460003
⑤	YANMAR CHARCOAL GRAY	N2	981101-09516	977620-30371

# PICTURESQUE INDEX (1) . . . . . MAIN PARTS

LABEL . . . FIG. 1, 2

CABIN . . . FIG. 26  
 CABIN DOOR . . . FIG. 27  
 CANOPY . . . FIG. 28

INLETHOUSE & EXHAUST PIPE . . . FIG. 3  
 ENGINE MOUNT . . . FIG. 5  
 RADIATOR & MOUNT . . . FIG. 6  
 FUEL TANK & FUEL PIPE . . . FIG. 7  
 BONNET . . . FIG. 25  
 HYD. OIL PUMP & JOINT . . . FIG. 29

HEATER & DEFROSTER . . . FIG. 12  
 SEAT MOUNT & STEP . . . FIG. 24

ELECTRIC PART . . . FIG. 9, 10

ACCELERATOR . . . FIG. 4

HYD. OIL TANK . . . FIG. 49

RIGHT

REAR

HYD. OIL PIPING . . . FIG. 50~58  
 CONTROL PIPING . . . FIG. 59, 60  
 GREASING . . . FIG. 61

WORK LAMP . . . FIG. 11  
 BOOM & ARM . . . FIG. 62

BOOM CYLINDER . . . FIG. 30

ARM CYLINDER . . . FIG. 31

SWING CYLINDER . . . FIG. 33

TRAVEL MOTOR . . . FIG. 35, 36

LEFT

ROLLER & ADJUST . . . FIG. 13  
 CRAWLER . . . FIG. 14

BUCKET CYLINDER . . . FIG. 32

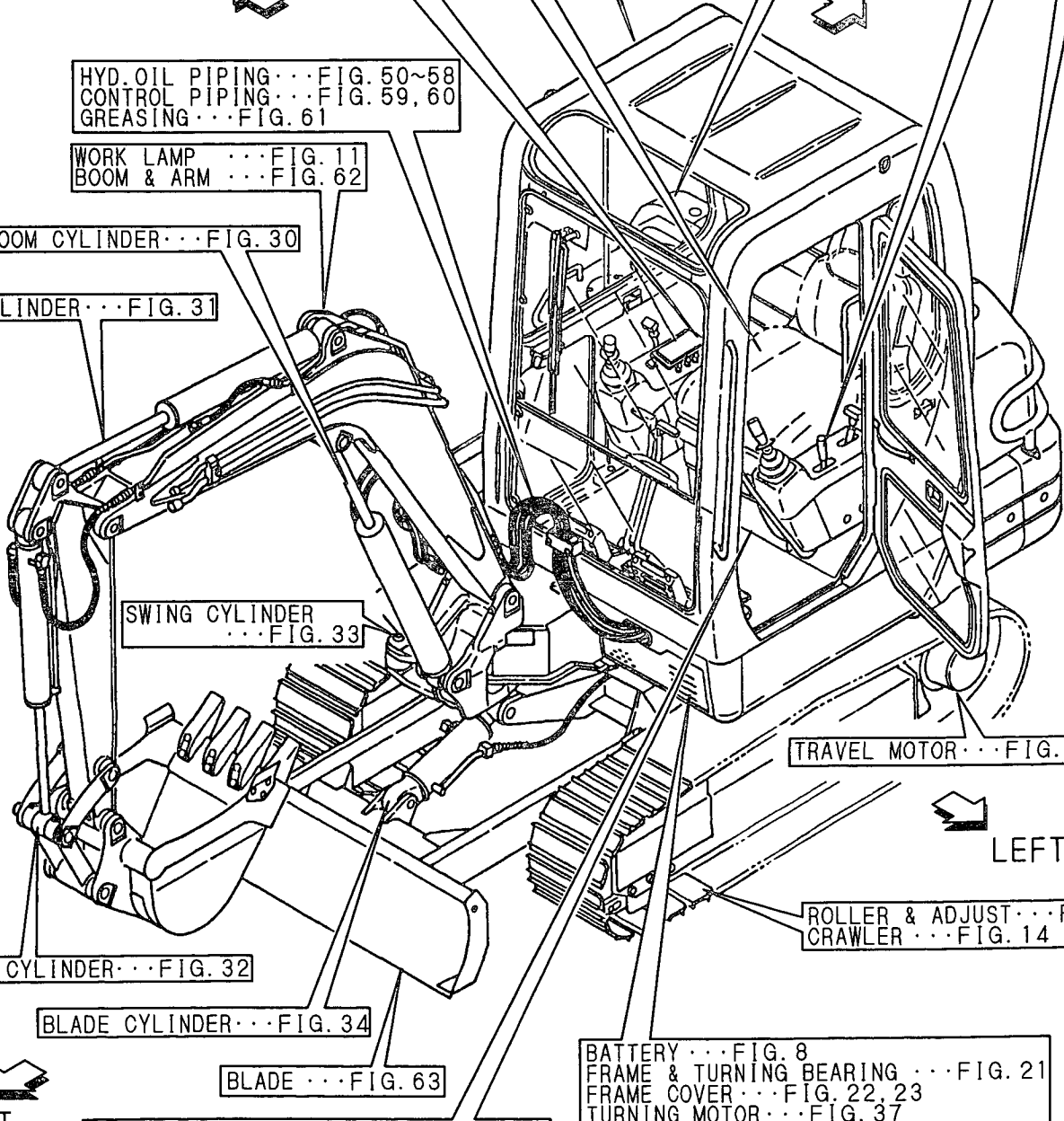
BLADE CYLINDER . . . FIG. 34

BLADE . . . FIG. 63

FRONT

CONTROL EQUIPMENT . . . FIG. 15~20  
 REMOTE CONTROL VALVE . . . FIG. 45, 46

BATTERY . . . FIG. 8  
 FRAME & TURNING BEARING . . . FIG. 21  
 FRAME COVER . . . FIG. 22, 23  
 TURNING MOTOR . . . FIG. 37  
 SWIVEL JOINT . . . FIG. 38, 39  
 CONTROL VALVE . . . FIG. 40~44  
 LOW-HIGH VALVE . . . FIG. 47  
 P. T. O. VALVE . . . FIG. 48



# PICTURESQUE INDEX (2) . . . . . HYDRAULIC SECTION

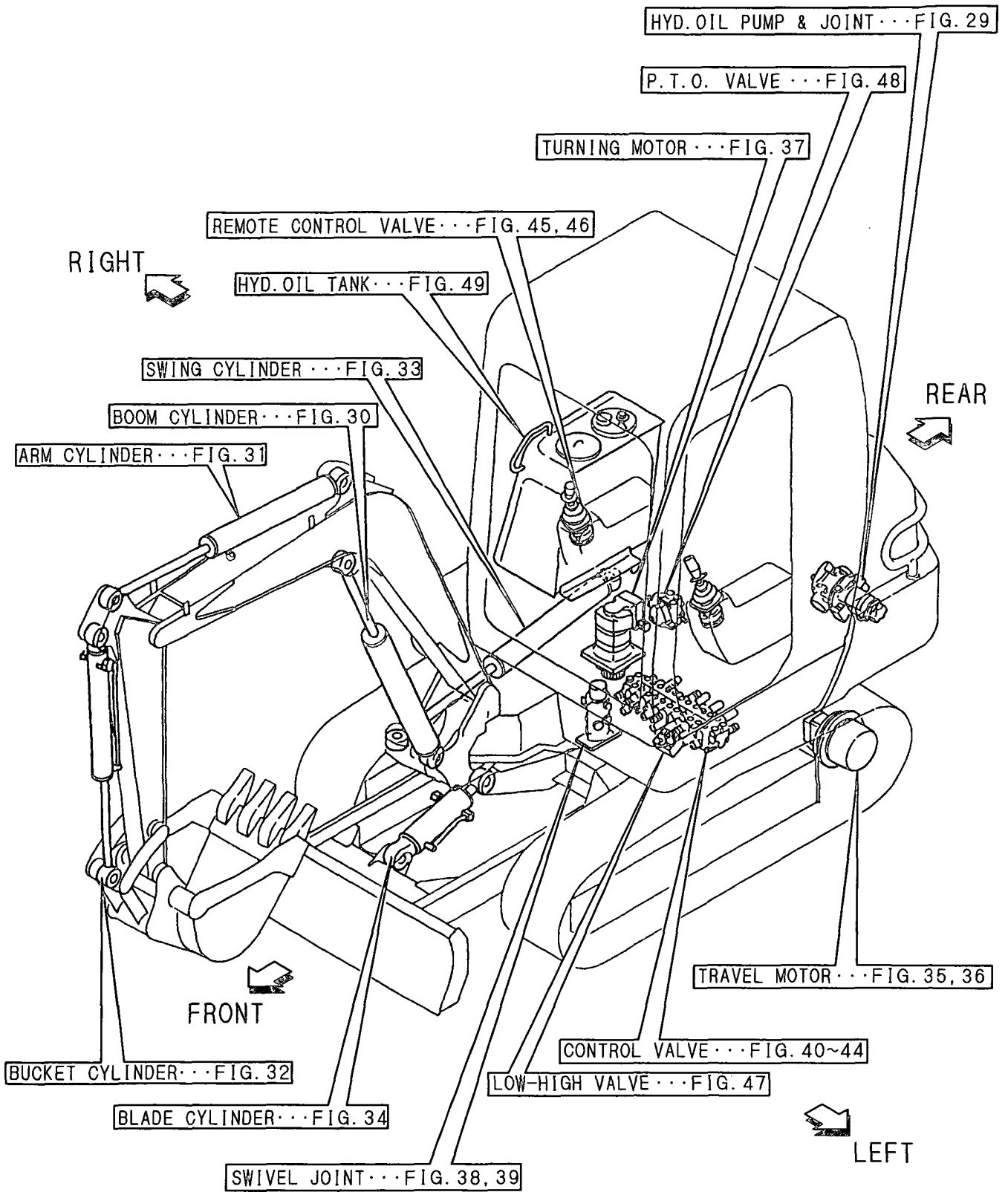


Fig. 1 LABEL (CABIN)

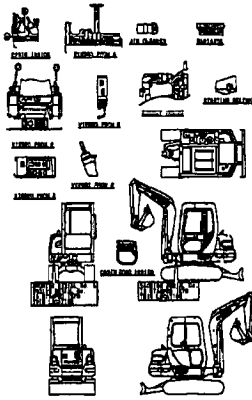


Fig. 5 ENGINE MOUNT

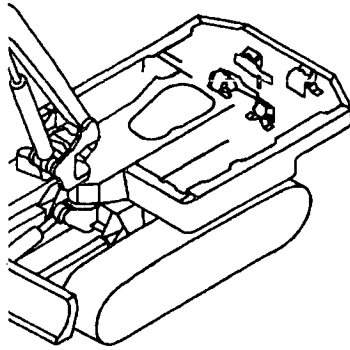


Fig. 9 ELECTRIC PART (CABIN, CANOPY)

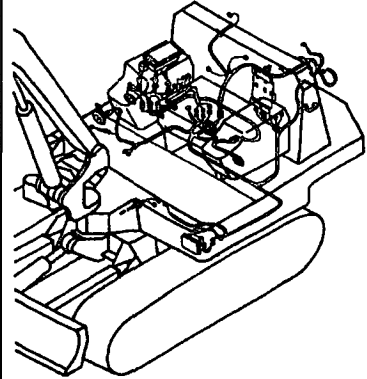


Fig. 2 LABEL (CANOPY)

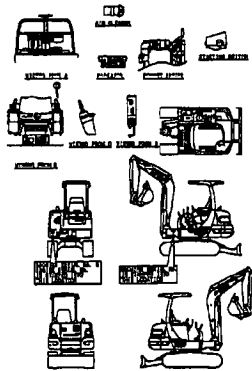


Fig. 6 RADIATOR & MOUNT

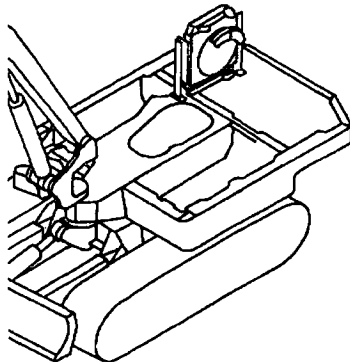


Fig. 10 ELECTRIC PART (CABIN SPEC.)

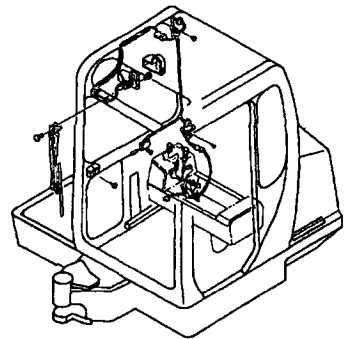


Fig. 3 INLETHOUSE & EXHAUST PIPE

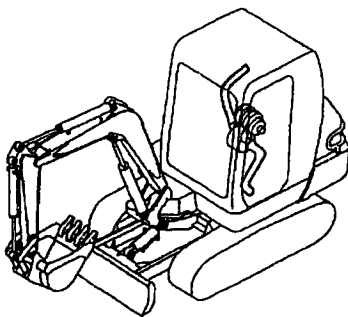


Fig. 7 FUEL TANK & FUEL PIPE

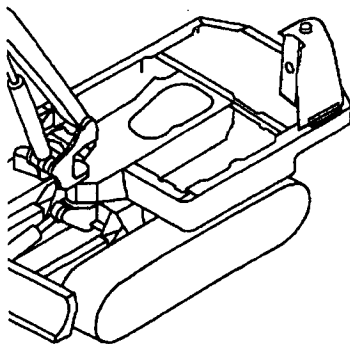


Fig. 11 WORK LAMP

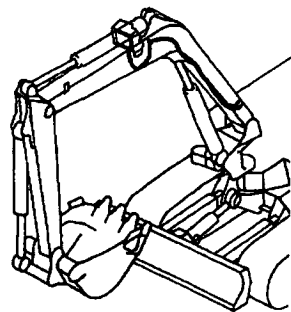


Fig. 4 ACCELERATOR

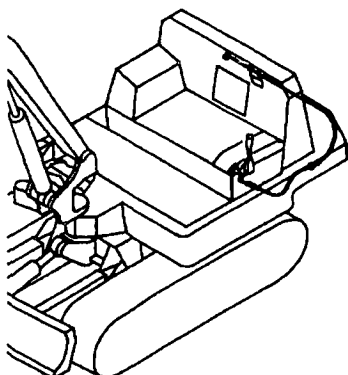


Fig. 8 BATTERY

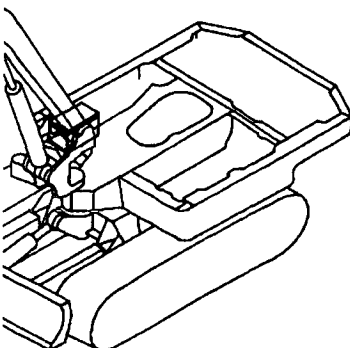


Fig. 12 HEATER & DEFROSTER

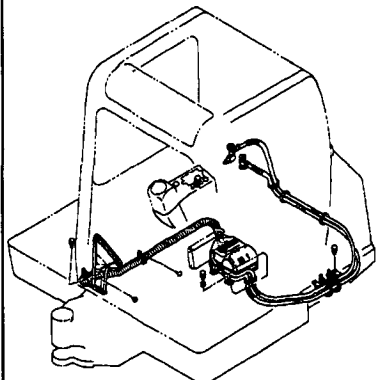


Fig. 13 ROLLER & ADJUST

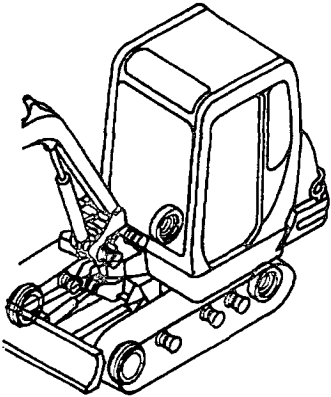


Fig. 17 CONTROL EQUIPMENT (SWING)

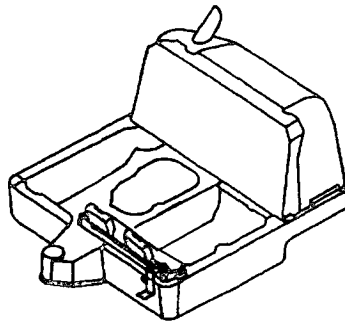


Fig. 21 FRAME & TURNING BEARING

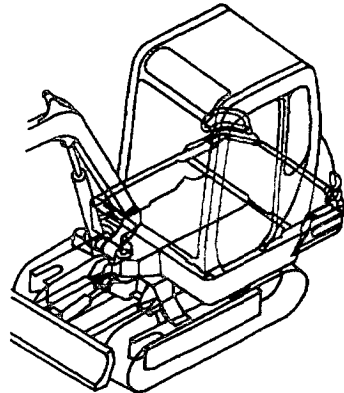


Fig. 14 CRAWLER

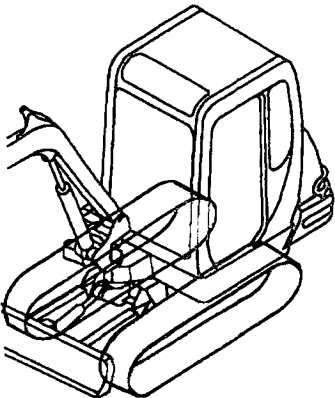


Fig. 18 CONTROL EQUIPMENT (BLADE)

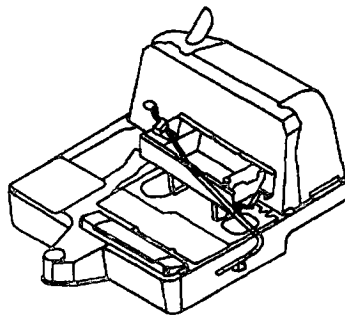


Fig. 22 FRAME COVER (CABIN)

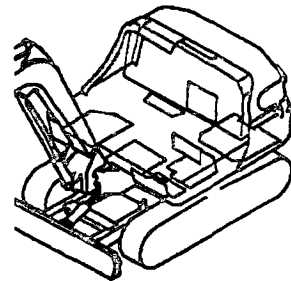


Fig. 15 CONTROL EQUIPMENT (LEVERSTAND & STOPPER)

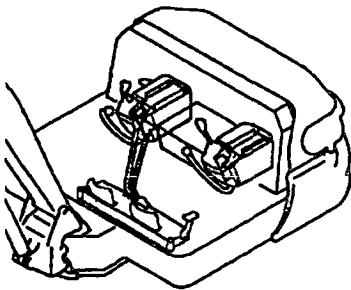


Fig. 19 CONTROL EQUIPMENT (CUT OFF LEVER & LOW-HIGH PEDAL)

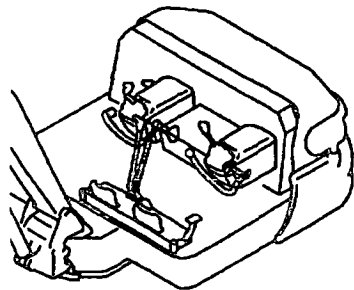


Fig. 23 FRAME COVER (CANOPY)

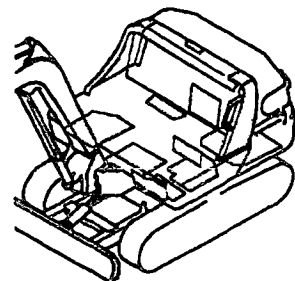


Fig. 16 CONTROL EQUIPMENT (TRAVEL)

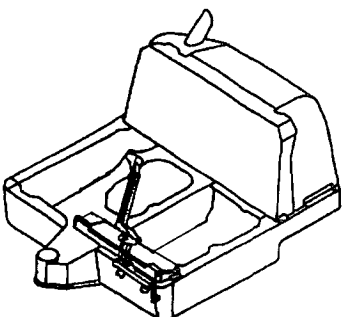


Fig. 20 CONTROL EQUIPMENT (P. T. O. CONTROL)

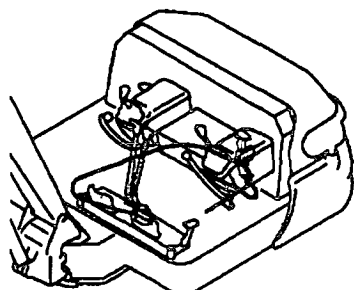


Fig. 24 SEAT MOUNT & STEP

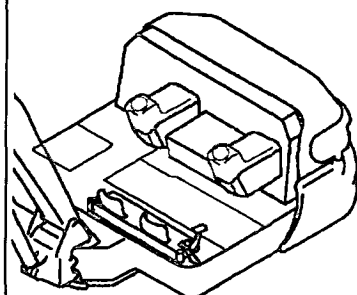


Fig.25 BONNET

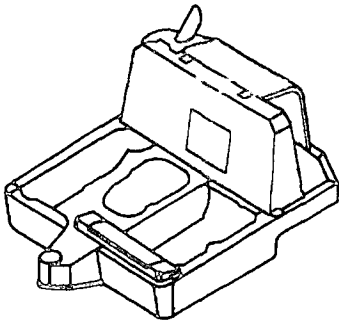


Fig.29 HYD.OIL PUMP & JOINT

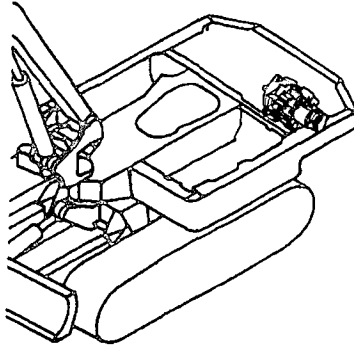


Fig.33 SWING CYLINDER

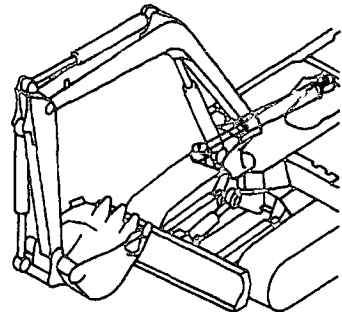


Fig.26 CABIN

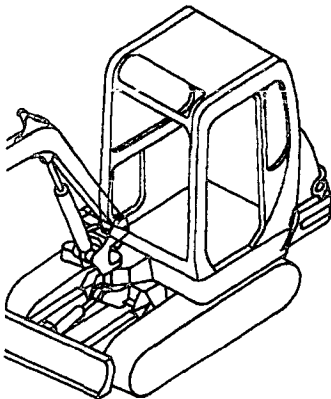


Fig.30 BOOM CYLINDER

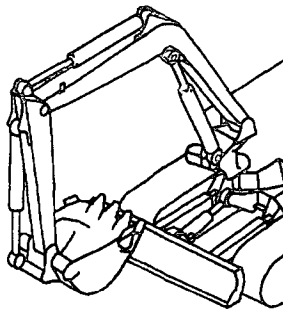


Fig.34 BLADE CYLINDER

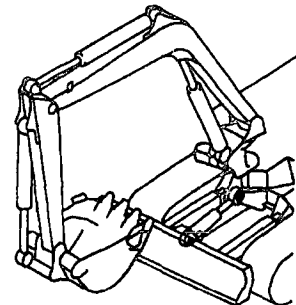


Fig.27 CABIN DOOR

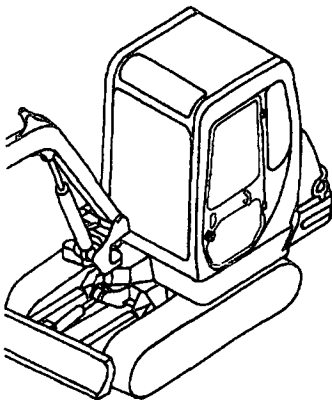


Fig.31 ARM CYLINDER

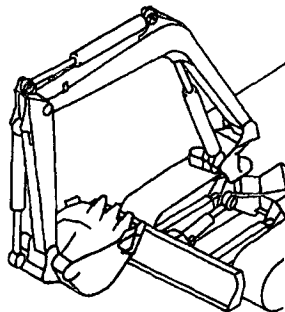


Fig.35 TRAVEL MOTOR  
(SING SPEED)  
(PREVIOUS)

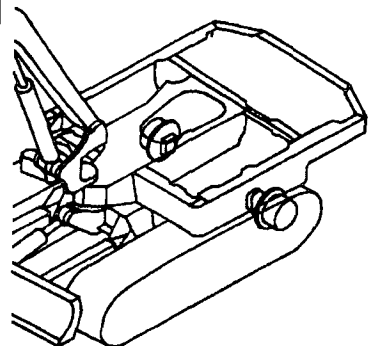


Fig.28 CANOPY

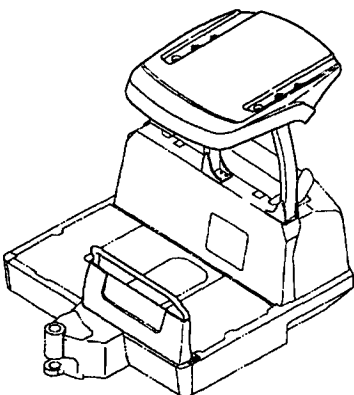


Fig.32 BUCKET CYLINDER

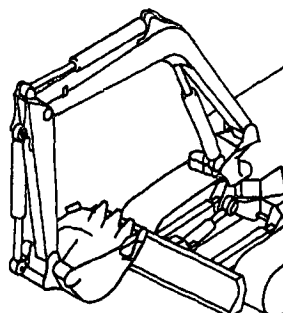


Fig.36 TRAVEL MOTOR  
(DOUBLE SPEED) (NEW)

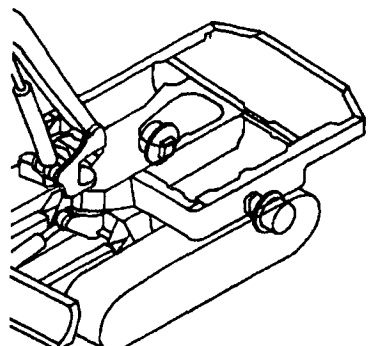




Fig. 37 TURNING MOTOR

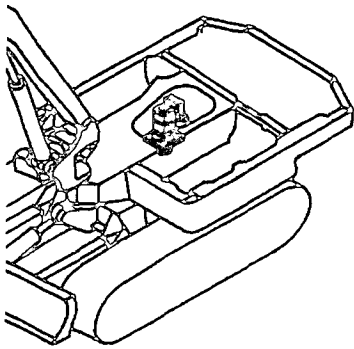


Fig. 41 CONTROL VALVE (TRAVEL & P. T. O.)

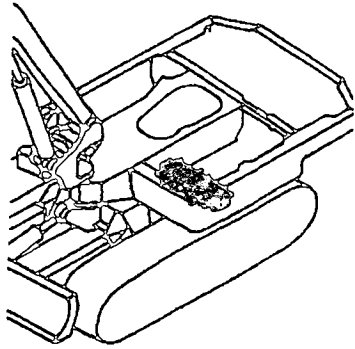


Fig. 45 REMOTE CONTROL VALVE (LEFT)

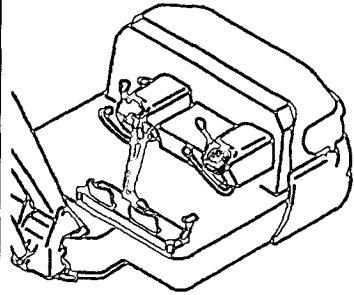


Fig. 38 SWIVEL JOINT (STING SPEED) (PREVIOUS)

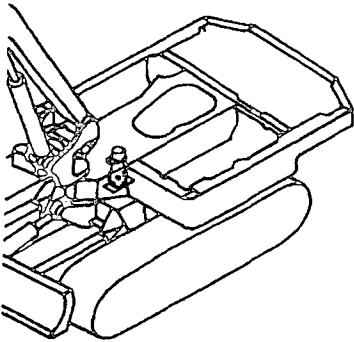


Fig. 42 CONTROL VALVE (ARM & SWING)

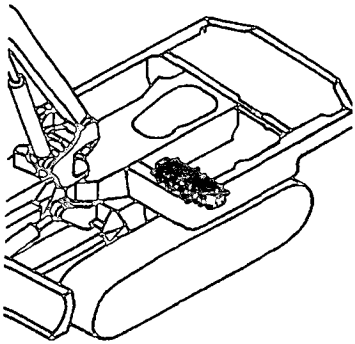


Fig. 46 REMOTE CONTROL VALVE (RIGHT)

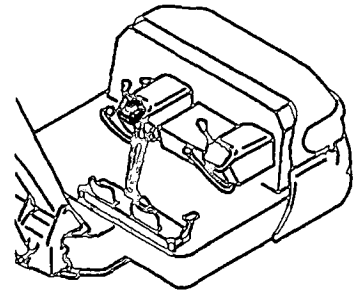


Fig. 39 SWIVEL JOINT (DOUBLE SPEED) (NEW)

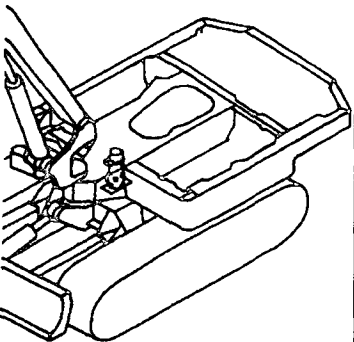


Fig. 43 CONTROL VALVE (BOOM & BUCKET)

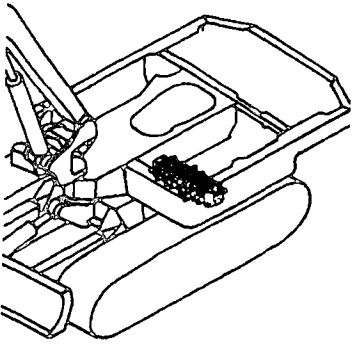


Fig. 47 LOW-HIGH VALVE

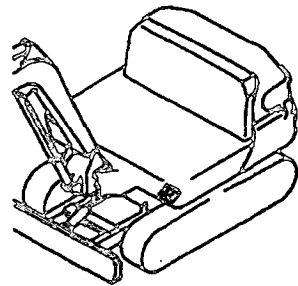


Fig. 40 CONTROL VALVE (P PORT & VALVE STAND)

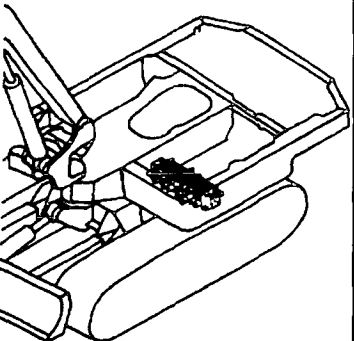


Fig. 44 CONTROL VALVE (TURNING & BLADE)

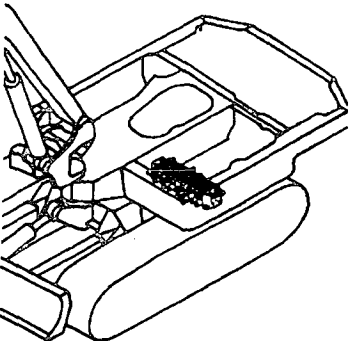


Fig. 48 P. T. O. VALVE

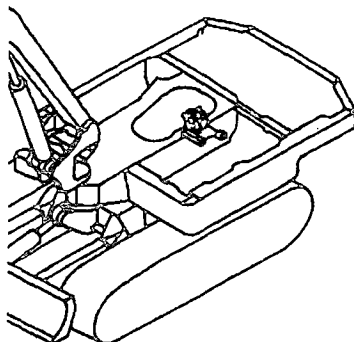


Fig. 49 HYD. OIL TANK

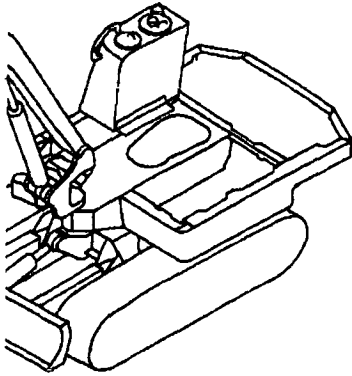


Fig. 53 HYD. OIL PIPING (RETURN)

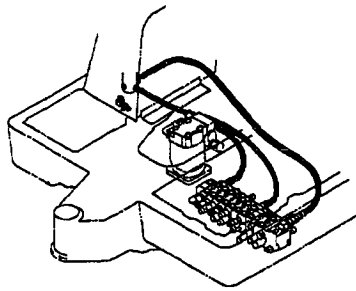


Fig. 57 HYD. OIL PIPING (BOOM)

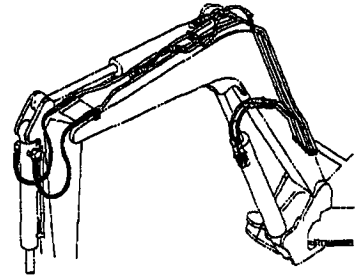


Fig. 50 HYD. OIL PIPING (TANK-PUMP-VALVE)

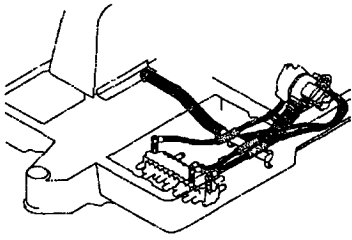


Fig. 54 HYD. OIL PIPING (P. T. O. VALVE, FRAME)

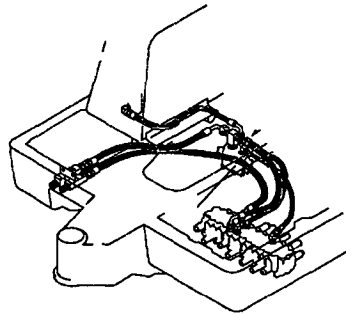


Fig. 58 HYD. OIL PIPING (P. T. O. VALVE, BOOM)

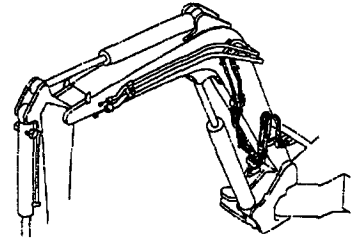


Fig. 51 HYD. OIL PIPING (VALVE-MOTOR, BOOM)

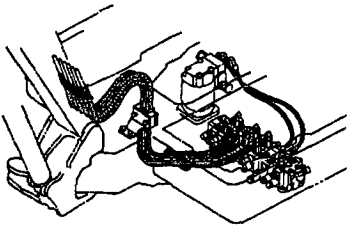


Fig. 55 HYD. OIL PIPING (TRAVEL) (SINGLE SPEED) (PREVIOUS)

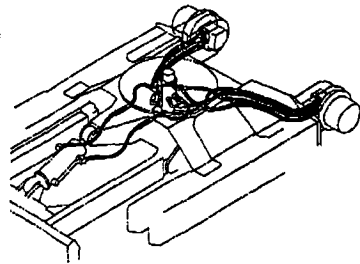


Fig. 59 CONTROL PIPING (PUMP-LOW-HIGH VALVE-RETURN)

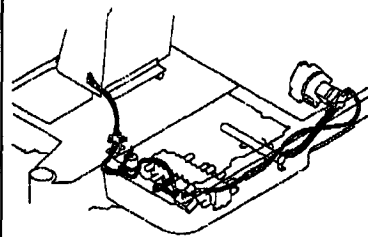


Fig. 52 HYD. OIL PIPING (VALVE-SWIVEL, SWING)

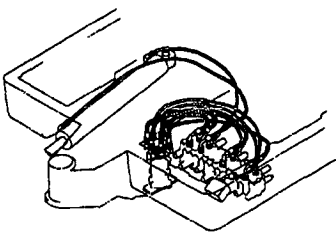


Fig. 56 HYD. OIL PIPING (TRAVEL) (DOUBLE SPEED) (NEW)

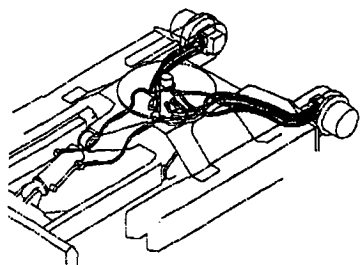


Fig. 60 CONTROL PIPING (DIRECT)

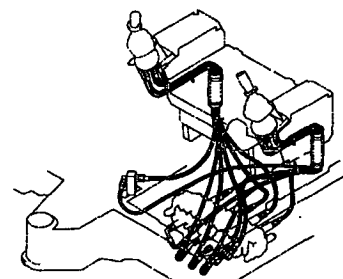


Fig. 61 GREASING

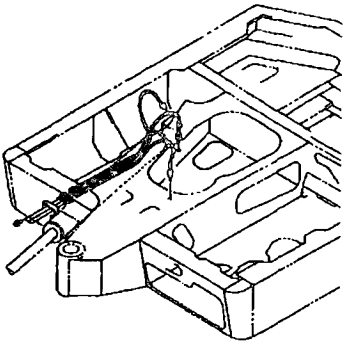


Fig. 62 BOOM & ARM

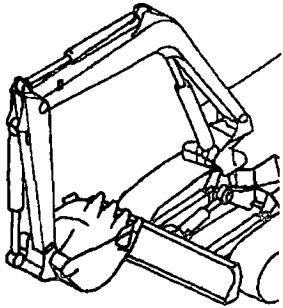
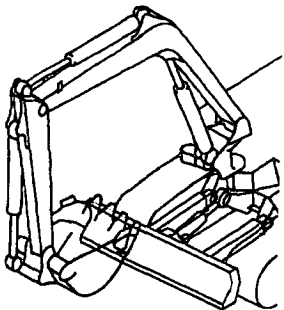
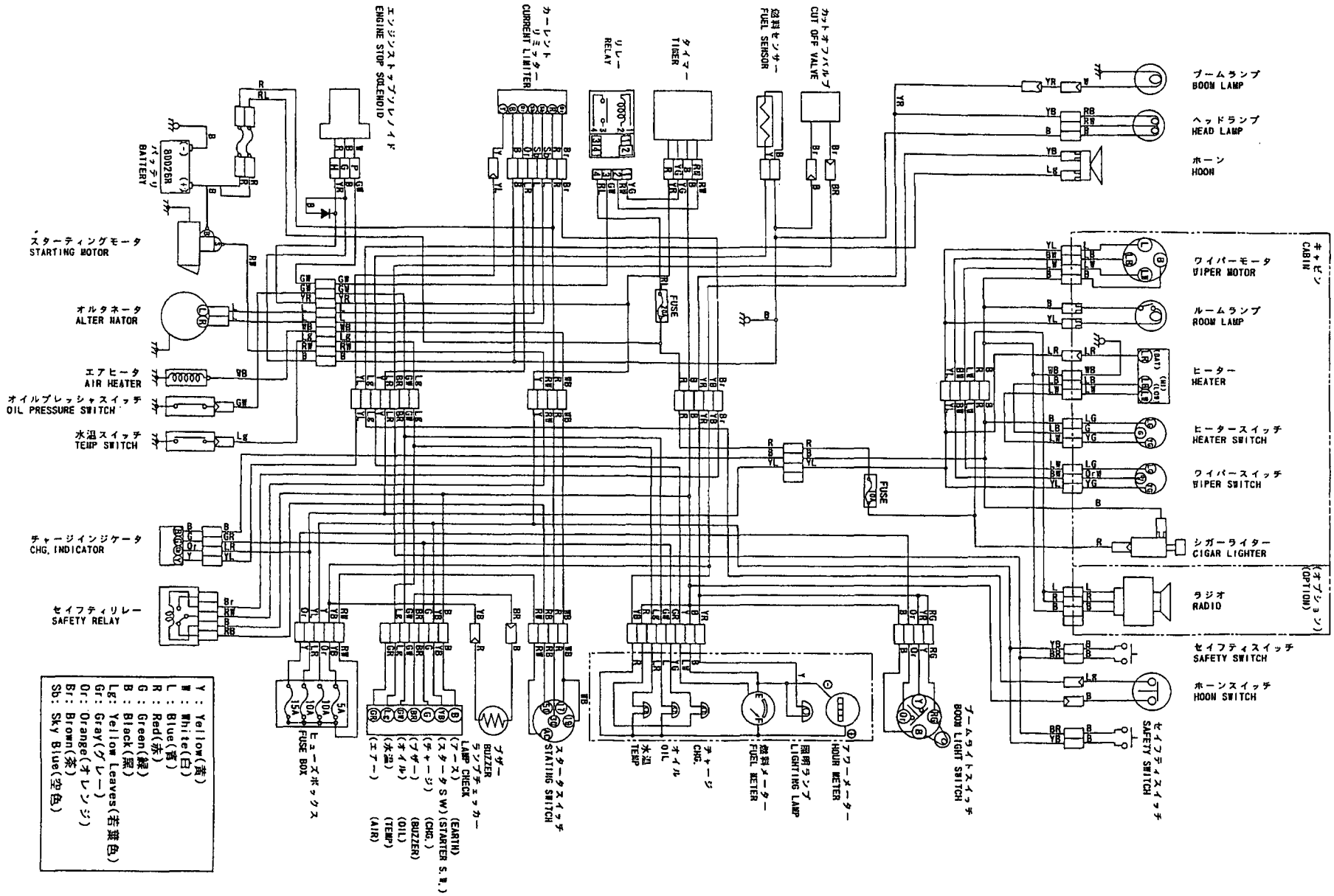


Fig. 63 BLADE (850)



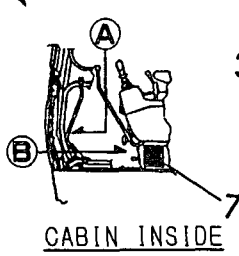
# WIRING DIAGRAM



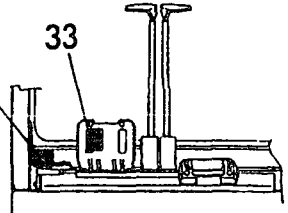
1,1,,772171-03200,, "LABEL ASSY",1,,,,,,,,,,,,,,,,,,,,,  
2,2,,172171-03130,, "LABEL,SPACIFICATION",1,,,,,,,,,,,,,,,,,,,,,  
3,2,,172171-03151,, LABEL,1,,,,,,,,,,,,,,,,,,,,,  
4,2,,172519-03150,, "LABEL, ACCEL",1,,,,,,,,,,,,,,,,,,,,,  
5,2,,172171-03161,, LABEL,1,,,,,,,,,,,,,,,,,,,,,  
6,2,,172143-03180,, LABEL,1,,,,,,,,,,,,,,,,,,,,,  
7,2,,172171-03180,, "LABEL, OIL/WATER",1,,,,,,,,,,,,,,,,,,,,,  
8,2,,172143-03210,, LABEL,2,,,,,,,,,,,,,,,,,,,,,  
9,2,,172168-03211,, LABEL,1,,,,,,,,,,,,,,,,,,,,,  
10,2,,172143-03240,, LABEL,1,,,,,,,,,,,,,,,,,,,,,  
11,2,,172171-03261,, "LABEL,BOOM",1,,,,,,,,,,,,,,,,,,,,,  
12,2,,172142-03280,, LABEL,1,,,,,,,,,,,,,,,,,,,,,  
13,2,,172137-03301,, "LABEL, TURNING LOCK",1,,,,,,,,,,,,,,,,,,,,,  
14,2,,172141-03360,, "LABEL, START SWITCH",1,,,,,,,,,,,,,,,,,,,,,  
15,2,,172165-03430,, "LABEL,GREASE FEED",1,,,,,,,,,,,,,,,,,,,,,  
16,2,,172165-03440,, "LABEL, GREASE",1,,,,,,,,,,,,,,,,,,,,,  
17,2,,172142-03451,, "LABEL, BOOM",2,,,,,,,,,,,,,,,,,,,,,  
18,2,,22857-300050,, "SCREW 3X 5",4,,,,,,,,,,,,,,,,,,,,,  
19,2,,933112-45300,, "LABEL, DANGER (A)",1,,,,,,,,,,,,,,,,,,,,,  
20,2,,933112-45400,, "LABEL, DANGER (B)",1,,,,,,,,,,,,,,,,,,,,,  
21,2,,933112-50700,, "LABEL, OIL FEED",1,,,,,,,,,,,,,,,,,,,,,  
22,2,,933112-52500,, "LABEL, FUEL",1,,,,,,,,,,,,,,,,,,,,,  
23,2,,933112-54300,, "LABEL, AIR CLEANER",1,,,,,,,,,,,,,,,,,,,,,  
24,2,,933112-55700,, "LABEL, SUB-TANK",1,,,,,,,,,,,,,,,,,,,,,  
25,2,,933112-55800,, "LABEL, RADIATER",1,,,,,,,,,,,,,,,,,,,,,  
26,2,,933112-55900,, "LABEL, ANTI-FREEZING",1,,,,,,,,,,,,,,,,,,,,,  
27,2,,172162-03180,, "LABEL,HEATER SWITCH",1,,,,,,,,,,,,,,,,,,,,,  
28,2,,172162-03190,, "LABEL,WIPER SWITCH",1,,,,,,,,,,,,,,,,,,,,,  
29,2,,172165-03301,, "LABEL,CAB",1,,,,,,,,,,,,,,,,,,,,,  
30,2,,172165-03311,, LABEL,1,,,,,,,,,,,,,,,,,,,,,  
31,2,,172165-03321,, LABEL,1,,,,,,,,,,,,,,,,,,,,,  
32,2,,172165-03460,, "LABEL, PATERN A",1,,,,,,,,,,,,,,,,,,,,,  
33,2,,172165-03230,, "LABEL, P.T.O.",1,,,,,,,,,,,,,,,,,,,,,  
33-1,2,,172165-03231,, "LABEL, P.T.O.",1,,,,,N,,72164328,M31481,,,,,,I  
34,2,,172168-03300,, "LABEL, SELECT",1,,,,,,,,,,,,,,,,,,,,,  
34-1,2,,172168-03301,, "LABEL, SELECT",1,,,,,N,,72164328,M31481,,,,,,I  
35,2,,172168-03270,, LABEL,1,,,,,,,,,,,,,,,,,,,,,  
36,2,,172147-03210,, LABEL,1,,,,,,,,,,,,,,,,,,,,,

# Fig. 1 LABEL (CABIN)

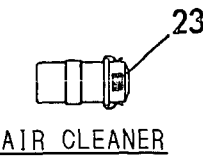
1 inc. 2 ~ 36



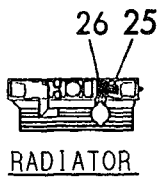
CABIN INSIDE



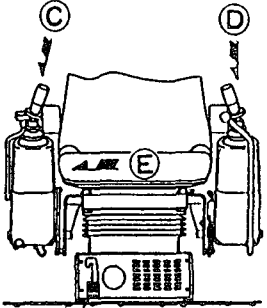
VIEWED FROM A



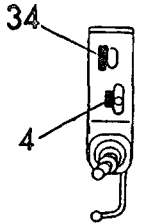
AIR CLEANER



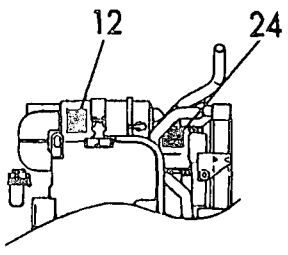
RADIATOR



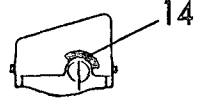
VIEWED FROM B



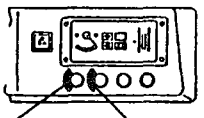
VIEWED FROM D



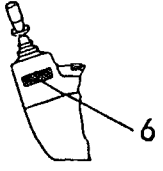
BONNET INSIDE



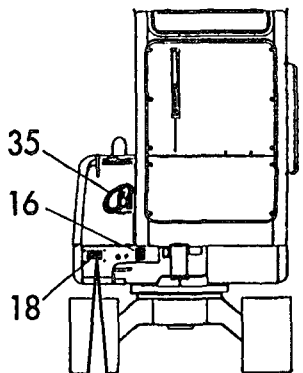
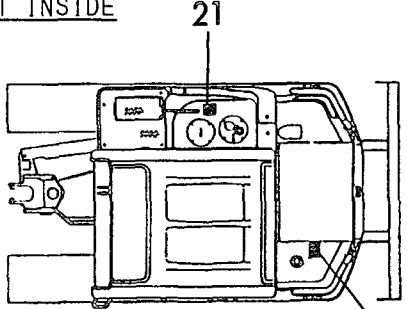
STARTING SWITCH



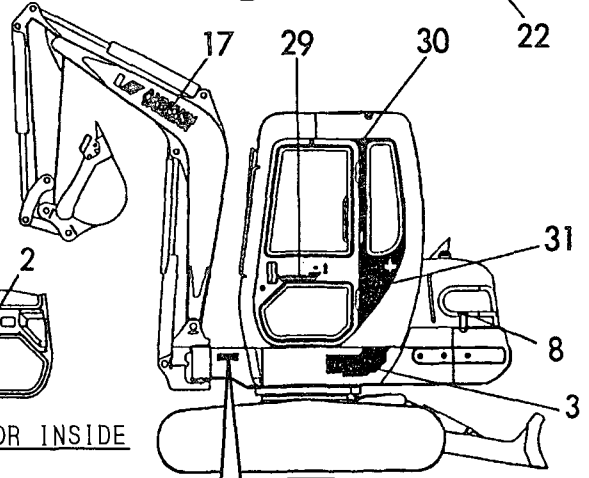
VIEWED FROM C



VIEWED FROM E

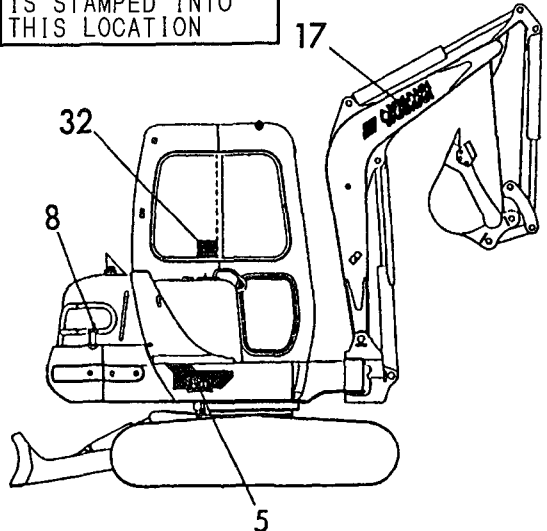
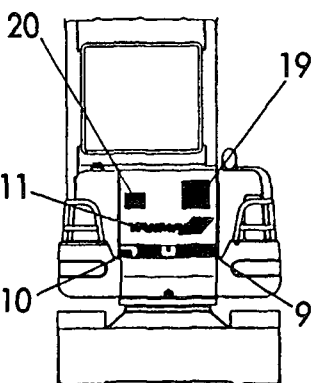


CABIN DOOR INSIDE



MACHINE SERIAL No. & ENGINE SERIAL No. IS STAMPED INTO THIS LOCATION

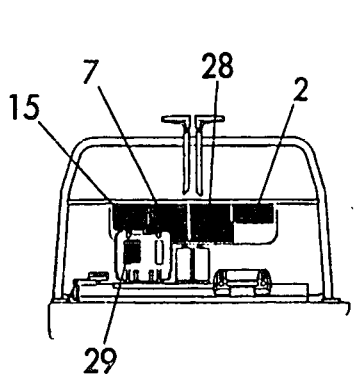
MACHINE SERIAL No. IS STAMPED INTO THIS LOCATION



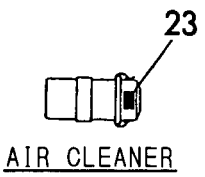
1,1,,772171-03210,, "LABEL ASSY",,1,,,,,,,,,,,,,  
2,2,,172171-03130,, "LABEL,SPACIFICATION",,1,,,,,,,,,,,,,  
3,2,,172171-03151,, LABEL,,1,,,,,,,,,,,,,  
4,2,,172519-03150,, "LABEL, ACCEL",,1,,,,,,,,,,,,,  
5,2,,172171-03161,, LABEL,,1,,,,,,,,,,,,,  
6,2,,172143-03180,, LABEL,,1,,,,,,,,,,,,,  
7,2,,172171-03180,, "LABEL, OIL/WATER",,1,,,,,,,,,,,,,  
8,2,,172143-03210,, LABEL,,2,,,,,,,,,,,,,  
9,2,,172168-03211,, LABEL,,1,,,,,,,,,,,,,  
10,2,,172143-03240,, LABEL,,1,,,,,,,,,,,,,  
11,2,,172171-03261,, "LABEL,BOOM",,1,,,,,,,,,,,,,  
12,2,,172142-03280,, LABEL,,1,,,,,,,,,,,,,  
13,2,,172137-03301,, "LABEL, TURNING LOCK",,1,,,,,,,,,,,,,  
14,2,,172141-03360,, "LABEL, START SWITCH",,1,,,,,,,,,,,,,  
15,2,,172165-03430,, "LABEL,GREASE FEED",,1,,,,,,,,,,,,,  
16,2,,172165-03440,, "LABEL, GREASE",,1,,,,,,,,,,,,,  
17,2,,172142-03451,, "LABEL, BOOM",,2,,,,,,,,,,,,,  
18,2,,22857-300050,, "SCREW 3X 5",,4,,,,,,,,,,,,,  
19,2,,933112-45300,, "LABEL, DANGER (A)",,1,,,,,,,,,,,,,  
20,2,,933112-45400,, "LABEL, DANGER (B)",,1,,,,,,,,,,,,,  
21,2,,933112-50700,, "LABEL, OIL FEED",,1,,,,,,,,,,,,,  
22,2,,933112-52500,, "LABEL, FUEL",,1,,,,,,,,,,,,,  
23,2,,933112-54300,, "LABEL, AIR CLEANER",,1,,,,,,,,,,,,,  
24,2,,933112-55700,, "LABEL, SUB-TANK",,1,,,,,,,,,,,,,  
25,2,,933112-55800,, "LABEL, RADIATER",,1,,,,,,,,,,,,,  
26,2,,933112-55900,, "LABEL, ANTI-FREEZING",,1,,,,,,,,,,,,,  
27,2,,172165-03141,, "LABEL,FRONT",,1,,,,,,,,,,,,,  
28,2,,172151-03540,, "LABEL,PATTERN A",,1,,,,,,,,,,,,,  
29,2,,172165-03230,, "LABEL, P.T.O.",,1,,,,,,,,,,,,,  
29-1,2,,172165-03231,, "LABEL, P.T.O.",,1,,,,,N,,,,72164328,M31481,,,,,,I  
30,2,,172168-03300,, "LABEL, SELECT",,1,,,,,,,,,,,,,  
30-1,2,,172168-03301,, "LABEL, SELECT",,1,,,,,N,,,,72164328,M31481,,,,,,I  
31,2,,172168-03270,, LABEL,,1,,,,,,,,,,,,,

# Fig. 2 LABEL (CANOPY)

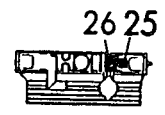
1 inc. 2 ~ 31



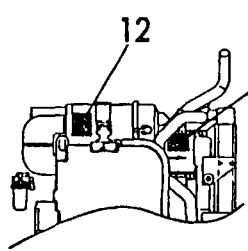
VIEWED FROM A



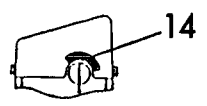
AIR CLEANER



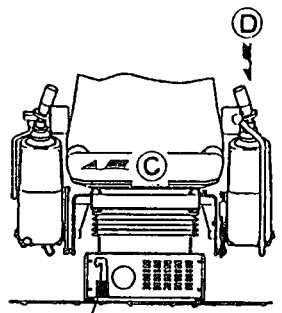
RADIATOR



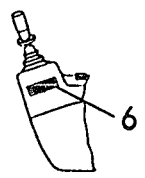
BONNET INSIDE



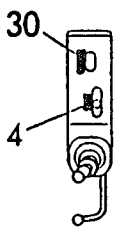
STARTING SWITCH



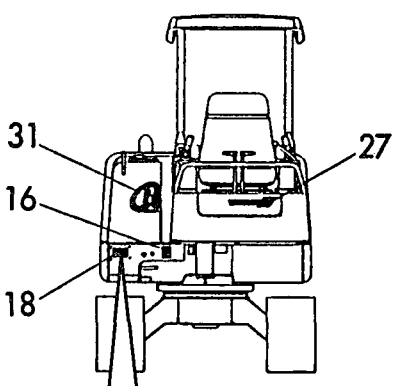
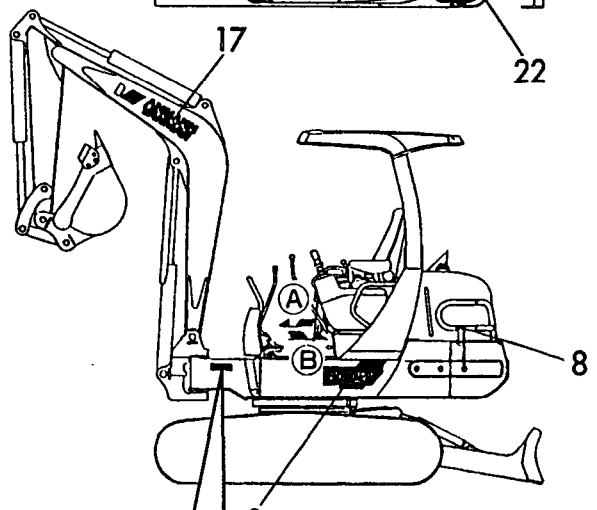
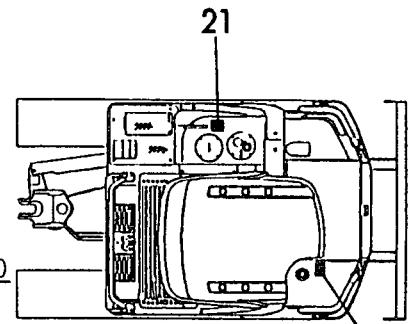
VIEWED FROM B



VIEWED FROM C

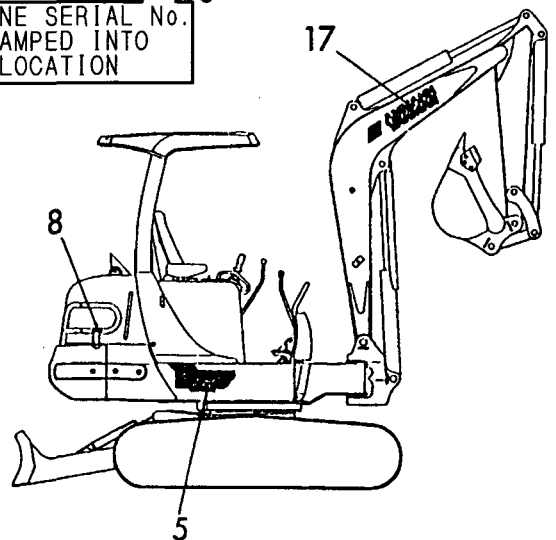
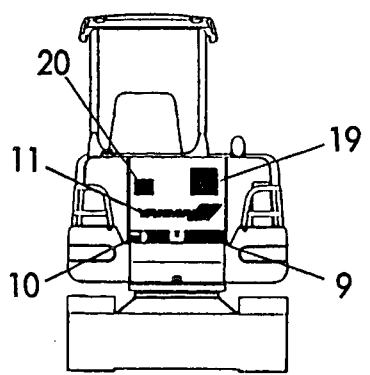


VIEWED FROM D



MACHINE SERIAL No. &  
ENGINE SERIAL No.  
IS STAMPED INTO  
THIS LOCATION

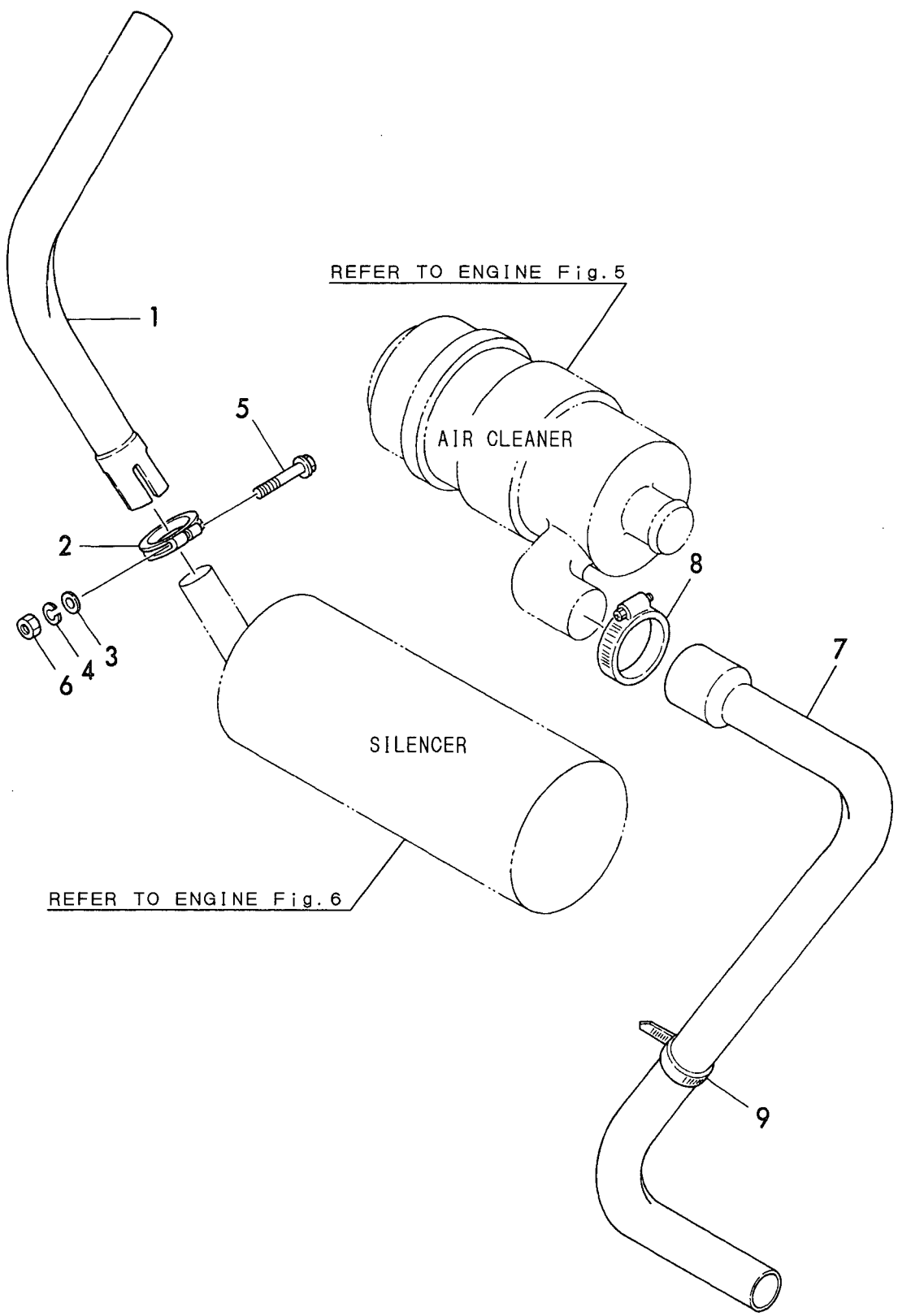
MACHINE SERIAL No.  
IS STAMPED INTO  
THIS LOCATION





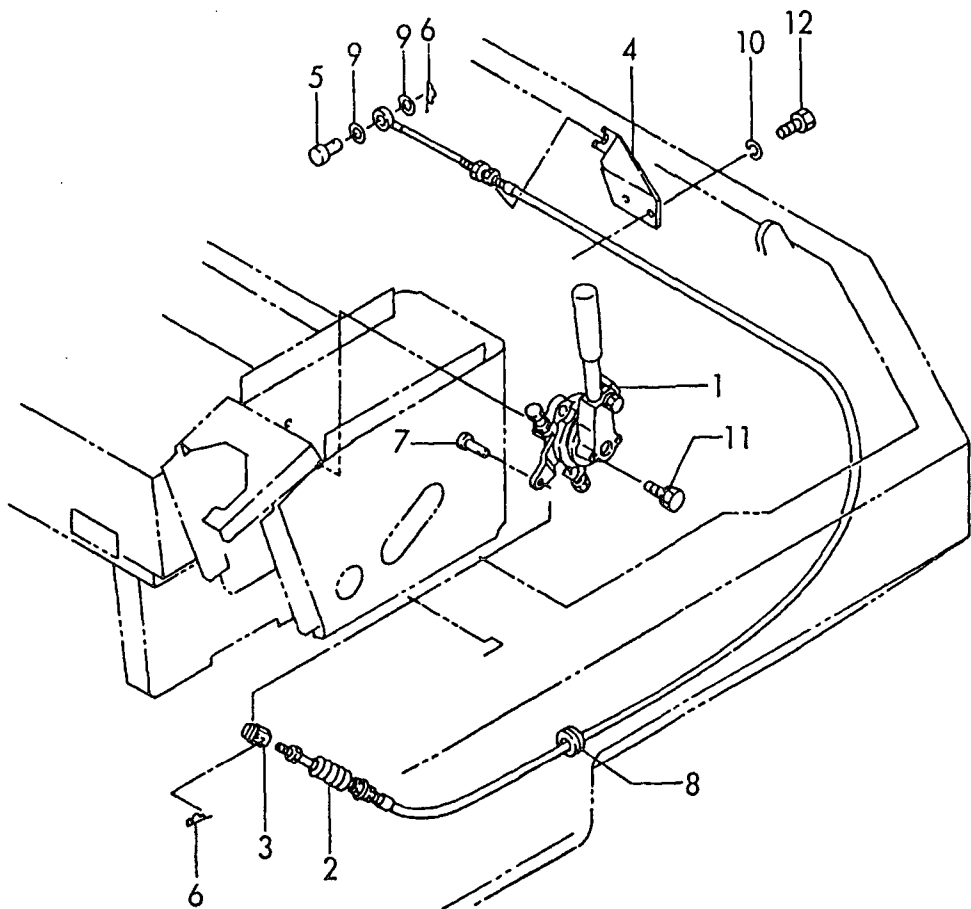
1,1,,172171-11300,, "PIPE TAIL",1,1,,,,,,,,,,,,,,,,,,,,,  
2,1,,119831-13580,, CLAMP,1,1,,,,,,,,,,,,,,,,,,,,,  
3,1,,22117-080000,, "WASHER 8",1,1,,,,,,,,,,,,,,,,,,,,,  
4,1,,22217-080000,, "SPRING WASHER 8",1,1,,,,,,,,,,,,,,,,,,,,,  
5,1,,26106-080552,, "BOLT M 8X 55 PLATED",1,1,,,,,,,,,,,,,,,,,,,,,  
6,1,,26706-080002,, "NUT M 8",1,1,,,,,,,,,,,,,,,,,,,,,  
7,1,,172171-11500,, "HOSE,AIR CLEANER",1,1,,,,,,,,,,,,,,,,,,,,,  
8,1,,23000-070000,, "CLAMP 70",1,1,,,,,,,,,,,,,,,,,,,,,  
9,1,,194250-51660,, "BAND 250",1,1,,,,,,,,,,,,,,,,,,,,,

Fig. 3 INLETHOUSE & EXHAUST PIPE



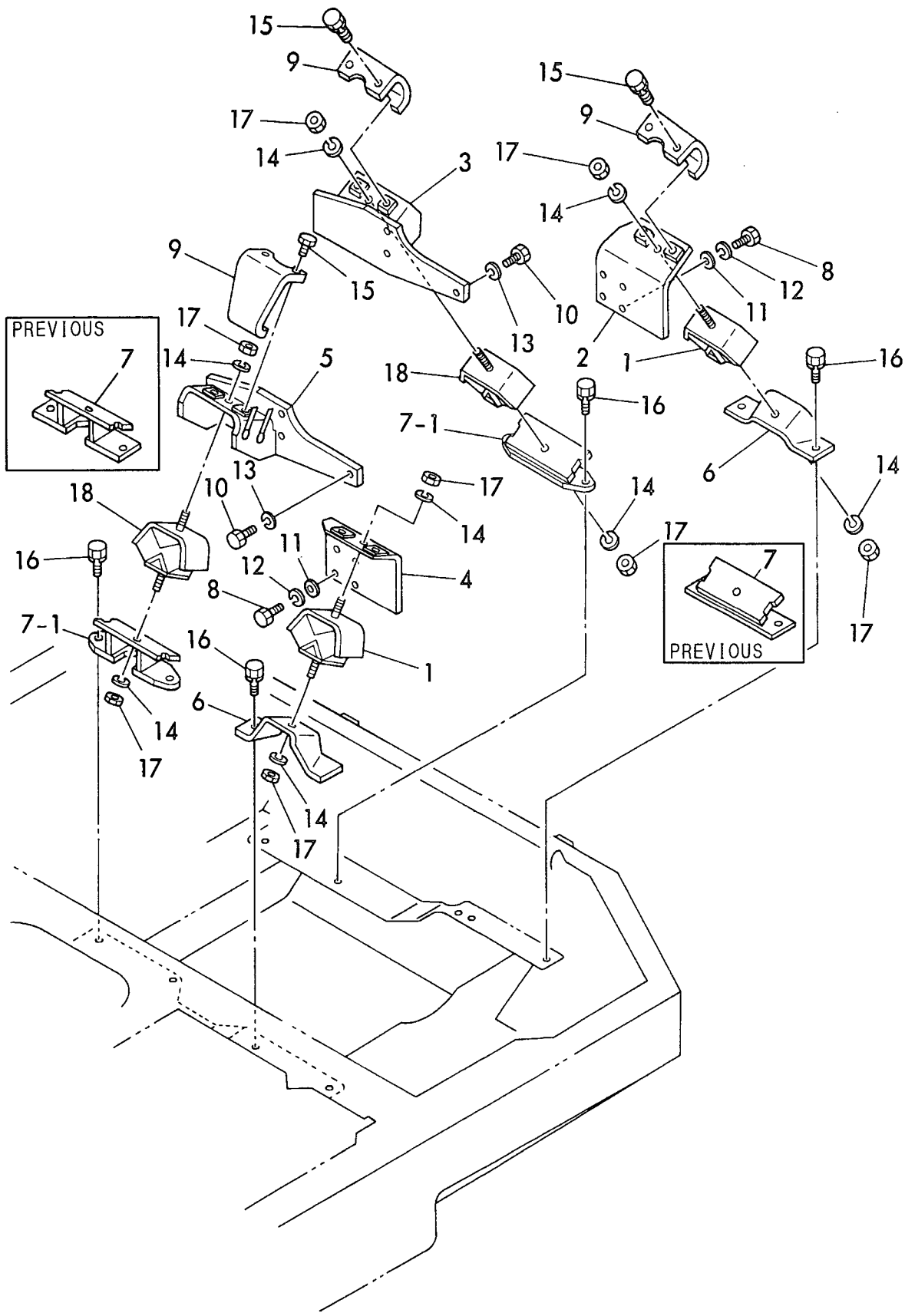
1,1,,172168-12150,, "LEVER,ACCEL(EP)",1,1,,,,,,,,,,,,,  
1-1,1,,172179-  
12100,, "LEVER,ACCEL",1,1,,,,,N,,72168243,M31512,72168243,M31512,,,,,,  
1A,2,,172165-  
12140,,GRIP,1,1,,,,,W,,72165500,\*1996.05,72165500,\*1996.05,,,,,,I  
2,1,,172168-12110,, "CABLE,ACCEL(S)",1,1,,,,,,,,,,,,,  
3,1,,172137-12270,, "JOINT, CABLE",1,1,,,,,,,,,,,,,  
4,1,,172141-12280,, "CLAMP, ACCEL WIRE",1,1,,,,,,,,,,,,,  
5,1,,172113-12521,, "PIN, CABLE",1,1,,,,,,,,,,,,,  
6,1,,1C6281-52310,, "PIN 6,COME-OFF SNAP",2,2,,,,,,,,,,,,,  
7,1,,1A1040-56900,, "PIN 6X 17",1,1,,,,,,,,,,,,,  
8,1,,1A1380-58050,, "GROMMET 16X20X4.5",1,1,,,,,,,,,,,,,  
9,1,,22137-060000,, "WASHER 6, POLISHED",2,2,,,,,,,,,,,,,  
10,1,,22217-080000,, "SPRING WASHER 8",2,2,,,,,,,,,,,,,  
11,1,,26013-100302,, "BOLT M10X 30",2,2,,,,,,,,,,,,,  
12,1,,26116-080162,, "BOLT M 8X 16 PLATED",2,2,,,,,,,,,,,,,

Fig. 4 ACCELERATOR



1,1,,196420-02310,, "ABSORBER, SHOCK",2,2,,,,,,,,,,,,,  
2,1,,172146-13100,, BRACKET,1,1,,,,,,,,,,,,,  
2-1,1,,172146-  
13101,, BRACKET,1,1,,,,,N,,72164175,M31258,72164175,M31258,,,,,,,,,I  
3,1,,172168-13100,, "MOUNT(R), ENGINE",1,1,,,,,,,,,,,,,  
3-1,1,,172168-13101,, "MOUNT(R),  
ENGINE",1,1,,,,,R,,72175001,M31274,72175001,M31274,,,,,,,,,I  
4,1,,172146-13110,, BRACKET,1,1,,,,,,,,,,,,,  
4-1,1,,172146-  
13111,, BRACKET,1,1,,,,,N,,72164175,M31258,72164175,M31258,,,,,,,,,I  
5,1,,172168-13120,, "MOUNT(L), ENGINE",1,1,,,,,,,,,,,,,  
6,1,,172168-13150,, BRACHET,2,2,,,,,,,,,,,,,  
7,1,,172168-13180,, "BRACKET COMP.,ENGINE",2,2,,,,,,,,,,,,,  
7-1,1,,172168-13181,, "BRACKET  
COMP.,ENGINE",2,2,,,,,R,,72175001,M31274,72175001,M31274,,,,,,,,,I  
8,1,,172162-13200,, "BOLT M10X30",8,8,,,,,,,,,,,,,  
9,1,,172124-13230,, "STOPPER, ENGINE",3,3,,,,,,,,,,,,,  
10,1,,172131-37170,, "BOLT M12X 30",6,6,,,,,,,,,,,,,  
11,1,,172137-46040,, "SEAT, SPRING",8,8,,,,,,,,,,,,,  
12,1,,22217-100000,, "SPRING WASHER 10",8,8,,,,,,,,,,,,,  
13,1,,22217-120000,, "WASHER 12,SPRING",6,6,,,,,,,,,,,,,  
14,1,,22217-120000,, "WASHER 12,SPRING",8,8,,,,,,,,,,,,,  
15,1,,26013-100252,, "BOLT W/WASHER M10X25",6,6,,,,,,,,,,,,,  
16,1,,26013-120302,, "BOLT W/WASHER M12X30",8,8,,,,,,,,,,,,,  
17,1,,26716-120002,, "NUT M12",8,8,,,,,,,,,,,,,  
18,1,,172168-13250,, "ABSORBER,SHOCK 180",2,2,,,,,,,,,,,,,

Fig. 5 ENGINE MOUNT

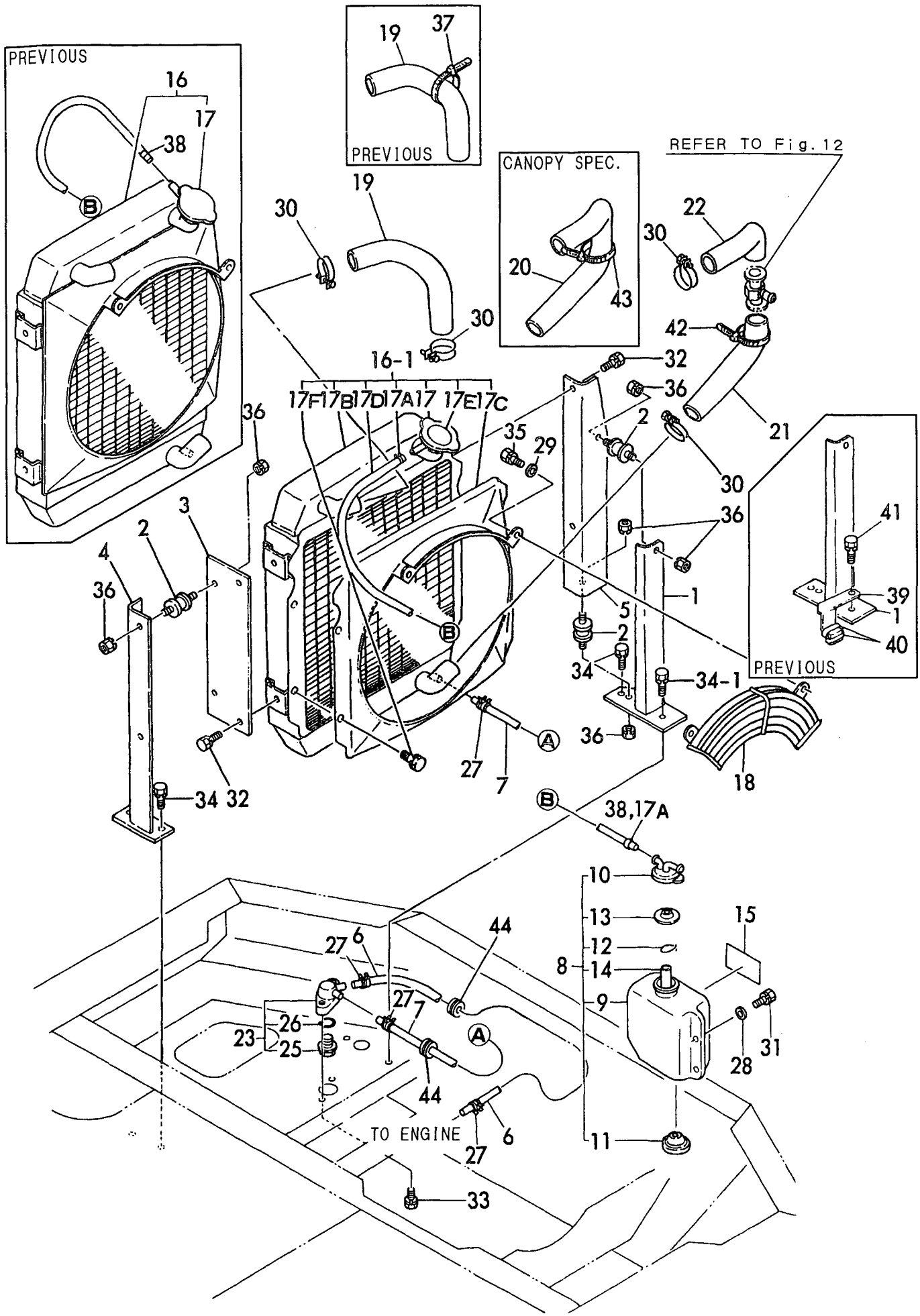


1,1,,172171-13300,, "MOUNT(R), RADIATOR",1,1,,,,,,,,,,,,,  
2,1,,172122-13310,, "MOUNT, RADIATOR",4,4,,,,,,,,,,,,,  
3,1,,172171-13330,, "PLATE, RADIATOR",1,1,,,,,,,,,,,,,  
4,1,,172171-13340,, "MOUNT L CMP,RADIATOR",1,1,,,,,,,,,,,,,  
5,1,,172171-13410,, BRACKET,1,1,,,,,,,,,,,,,  
6,1,,172171-13450,, "HOSE 7X750",1,1,,,,,,,,,,,,,  
6-1,1,,172171-13451,, "HOSE  
7X750",1,1,,,,,S,,72171042,M30875,72171042,M30875,,,,,,  
6-2,1,,172124-14650,, "HOSE L=1100,  
FUEL",1,1,,,,,N,,72147207,M31361,72147207,M31361,,,,,,  
7,1,,172312-13430,, "HOSE(A), DRAIN",1,1,,,,,,,,,,,,,  
7-1,1,,172171-13460,, "HOSE  
7X560",1,1,,,,,S,,72171042,M30875,72171042,M30875,,,,,,  
7-2,1,,172171-13461,, "HOSE  
7.5X13",1,1,,,,,N,,72147207,M31361,72147207,M31361,,,,,,  
8,1,,121468-44510,, "SUB-TANK ASSY",1,1,,,,,,,,,,,,,  
9,2,,121470-44521,, "BODY,SUB-TANK",1,1,,,,,,,,,,,,,  
10,2,,121450-44531,, CAP,1,1,,,,,,,,,,,,,  
11,2,,121468-44540,, "PLUG, SUB-TANK",1,1,,,,,,,,,,,,,  
12,2,,124450-44560,, CLAMP,1,1,,,,,,,,,,,,,  
13,2,,121470-44581,, GASKET,1,1,,,,,,,,,,,,,  
14,2,,23065-070130,, "PIPE 7X 130",1,1,,,,,,,,,,,,,  
15,1,,121470-44540,, "LABEL, SUB-TANK",1,1,,,,,,,,,,,,,  
16,1,,119831-44550,, RADIATOR,1,1,,,,,,,,,,,,,  
16-1,1,,119831-44551,, RADIATOR,1,1,,,,,R,,72168139,M30686,72168139,M30686,,,,,,  
17,2,,124450-44590,, "CAP, RADIATOR",1,1,,,,,,,,,,,,,  
17A,2,,121250-44590,, CLAMP,2,2,,,,,,,,,,,,,  
17B,2,,119831-44650,, "RADIATOR SUB-ASSY.",1,1,,,,,,,,,,,,,  
17C,2,,119831-44660,, SHROUD,1,1,,,,,,,,,,,,,  
17D,2,,119831-44670,, "RUBBER PIPE",1,1,,,,,,,,,,,,,  
17E,2,,124450-44800,, "LABEL, RADIATOR",1,1,,,,,,,,,,,,,  
17F,2,,26014-080162,, "BOLT M 8X 16",4,4,,,,,,,,,,,,,  
18,1,,119831-44570,, "NET, WIRE",1,1,,,,,,,,,,,,,  
19,1,,119831-49010,, "PIPE (A), C. WATER",1,1,,,,,,,,,,,,,  
20,1,,119831-49020,, PIPE(B)C.WATER,,1,,,,,,,,,,,,,  
21,1,,119831-49040,, PIPE(B)C.WATER,1,,,,,,,,,,,,,  
22,1,,119831-49050,, PIPE(B)C.WATER,1,,,,,,,,,,,,,  
23,1,,121450-49110,, "COCK ASSY, 3-WAY",1,1,,,,,,,,,,,,,  
25,2,,121250-49121,, PLUG,1,1,,,,,,,,,,,,,  
26,2,,24311-000160,, "O-RING 1A P-16.0",1,1,,,,,,,,,,,,,  
27,1,,124766-59050,, "CLAMP 12",4,4,,,,,,,,,,,,,  
28,1,,22137-060000,, "WASHER 6, POLISHED",2,2,,,,,,,,,,,,,  
29,1,,22137-080000,, "WASHER 8, POLISHED",2,2,,,,,,,,,,,,,  
30,1,,23010-038000,, "CLAMP 38",4,4,,,,,,,,,,,,,  
31,1,,26013-060202,, "BOLT M 6X 20",2,2,,,,,,,,,,,,,  
32,1,,26013-080162,, "BOLT W/WASHER M8X16",4,4,,,,,,,,,,,,,  
33,1,,26013-080162,, "BOLT W/WASHER M8X16",2,2,,,,,,,,,,,,,  
34,1,,26013-100202,, "BOLT W/WASHER M10X20",3,3,,,,,,,,,,,,,  
34-1,1,,26013-100202,, "BOLT W/WASHER  
M10X20",4,4,,,,,K,,72171042,M30875,72171042,M30875,,,,,,I  
35,1,,26013-080162,, "BOLT W/WASHER M8X16",2,2,,,,,,,,,,,,,  
36,1,,26051-080002,, "NUT M 8",8,8,,,,,,,,,,,,,  
37,1,,933168-55770,, "BAND  
146",1,1,,,,,Z,,72171042,M30875,72171042,M30875,,,,,,I  
38,1,,121250-44590,, CLAMP,2,2,,,,,Z,,72168139,M30686,72168139,M30686,,,,,,I  
39,1,,172171-13500,, "GUIDE,DRAIN  
HOSE",1,1,,,,,Z,,72171042,M30875,72171042,M30875,,,,,,I  
40,1,,172171-  
13510,, "HOSE,GUIDE",2,2,,,,,Z,,72171042,M30875,72171042,M30875,,,,,,I  
41,1,,26013-100252,, "BOLT W/WASHER  
M10X25",1,1,,,,,Z,,72171042,M30875,72171042,M30875,,,,,,I  
42,1,,933152-09280,, "BAND 170",1,,,,,,,,,,,,,  
43,1,,933152-09280,, "BAND 170",,1,,,,,,,,,,,,,

44,1,,1A1380-58050,, "GROMMET  
16X20X4.5",2,2,,,,,W,,72171042,M30875,72171042,M30875,,,,,,,,,I



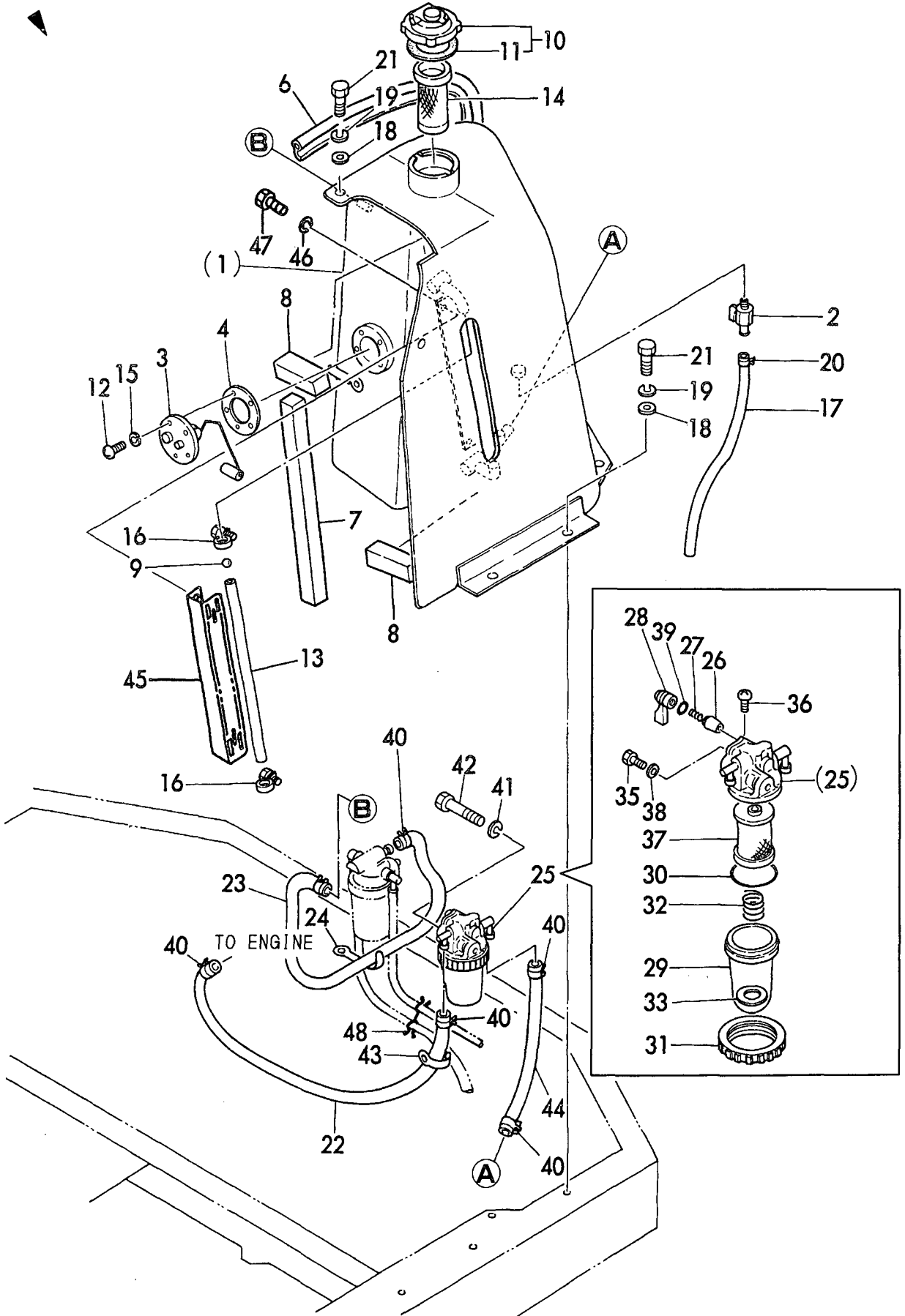
**Fig. 6** RADIATOR & MOUNT



1,1,,772171-14100,, "TANK ASSY",1,1,,,,,,,,,,,,,,,,,,,,,  
2,2,,104200-11920,, COCK,1,1,,,,,,,,,,,,,,,,,,,,,  
3,2,,172162-14180,, "GAUGE UNIT,FUEL",1,1,,,,,,,,,,,,,,,,,,,,,  
4,2,,172162-14200,, GASKET,1,1,,,,,,,,,,,,,,,,,,,,,  
6,3,,172171-14150,, "RUBBER,SEAL",1,1,,,,,,,,,,,,,,,,,,,,,  
7,3,,172168-14220,, "SEAL A,CR SPONGE",1,1,,,,,,,,,,,,,,,,,,,,,  
8,3,,172168-14240,, "SEAL B,CR SPONGE",2,2,,,,,,,,,,,,,,,,,,,,,  
9,2,,172141-14260,, FLOAT,1,1,,,,,,,,,,,,,,,,,,,,,  
10,2,,172122-14300,, "CAP, FUEL TANK",1,1,,,,,,,,,,,,,,,,,,,,,  
11,3,,105430-55070,, GASKET,1,1,,,,,,,,,,,,,,,,,,,,,  
12,2,,26557-050122,, "SCREW M 5X 12",5,5,,,,,,,,,,,,,,,,,,,,,  
13,2,,172142-14420,, "PIPE, FUEL",1,1,,,,,,,,,,,,,,,,,,,,,  
13-1,2,,172142-14421,, "HOSE, FUEL  
GAUGE",1,1,,,,,N,,72168223,M31361,72168223,M31361,,,,,,,,,,,,,I  
14,2,,101504-55101,, "STRAINER,FUEL INLET",1,1,,,,,,,,,,,,,,,,,,,,,  
15,2,,22217-050000,, "SPRING WASHER 5",5,5,,,,,,,,,,,,,,,,,,,,,  
16,2,,23010-014000,, "CLAMP 14",2,2,,,,,,,,,,,,,,,,,,,,,  
17,1,,172142-14320,, "GAUGE, FUEL",1,1,,,,,,,,,,,,,,,,,,,,,  
18,1,,194145-04810,, "WASHER 10",6,6,,,,,,,,,,,,,,,,,,,,,  
19,1,,22217-100000,, "SPRING WASHER 10",6,6,,,,,,,,,,,,,,,,,,,,,  
20,1,,23080-013000,, "CLAMP 13,HOSE",1,1,,,,,,,,,,,,,,,,,,,,,  
21,1,,26116-100252,, "BOLT M10X 25 PLATED",6,6,,,,,,,,,,,,,,,,,,,,,  
22,1,,172171-14600,, "HOSE 800",1,1,,,,,,,,,,,,,,,,,,,,,  
23,1,,172142-14620,, "HOSE L750, FUEL",1,1,,,,,,,,,,,,,,,,,,,,,  
24,1,,172126-16540,, "CLAMP 10X70",1,1,,,,,,,,,,,,,,,,,,,,,  
25,1,,129335-55700,, "SEPARATOR, WATER",1,1,,,,,,,,,,,,,,,,,,,,,  
26,2,,104200-55321,, "VALVE, TAPER",1,1,,,,,,,,,,,,,,,,,,,,,  
27,2,,104200-55330,, "SPRING, TAPER VALVE",1,1,,,,,,,,,,,,,,,,,,,,,  
28,2,,104200-55341,, "HANDLE, COCK",1,1,,,,,,,,,,,,,,,,,,,,,  
29,2,,124064-55510,, "BOWL, FUEL STRAINER",1,1,,,,,,,,,,,,,,,,,,,,,  
30,2,,102103-55520,, O-RING,1,1,,,,,,,,,,,,,,,,,,,,,  
31,2,,110250-55610,, "RING, RETAINING",1,1,,,,,,,,,,,,,,,,,,,,,  
32,2,,121257-55720,, "SPRING, SCREEN",1,1,,,,,,,,,,,,,,,,,,,,,  
33,2,,121257-55731,, FLOAT,1,1,,,,,,,,,,,,,,,,,,,,,  
35,2,,101720-55750,, "PLUG 6",2,2,,,,,,,,,,,,,,,,,,,,,  
36,2,,104200-55750,, "SCREW M 4",1,1,,,,,,,,,,,,,,,,,,,,,  
37,2,,171081-55910,, SCREEN,1,1,,,,,,,,,,,,,,,,,,,,,  
38,2,,23418-060000,, "GASKET 6, NYLON",2,2,,,,,,,,,,,,,,,,,,,,,  
39,2,,24311-240100,, "O-RING 1A P-10A",1,1,,,,,,,,,,,,,,,,,,,,,  
40,1,,124766-59050,, "CLAMP 12",6,6,,,,,,,,,,,,,,,,,,,,,  
41,1,,22217-080000,, "SPRING WASHER 8",1,1,,,,,,,,,,,,,,,,,,,,,  
42,1,,26116-080652,, "BOLT M 8X 65 PLATED",1,1,,,,,,,,,,,,,,,,,,,,,  
43,1,,194440-51620,, "CLAMP, WIRE HARNESS",1,1,,,,,,,,,,,,,,,,,,,,,  
44,1,,172171-14610,, "HOSE 260,FUEL",1,1,,,,,,,,,,,,,,,,,,,,,  
45,1,,172168-14270,, "COVER ASSY",1,1,,,,,,,,,,,,,,,,,,,,,  
46,1,,22217-080000,, "SPRING WASHER 8",2,2,,,,,,,,,,,,,,,,,,,,,  
47,1,,26116-080162,, "BOLT M 8X 16 PLATED",2,2,,,,,,,,,,,,,,,,,,,,,  
48,1,,172171-14300,, W-CLAMP,1,1,,,,,,,,,,,,,,,,,,,,,

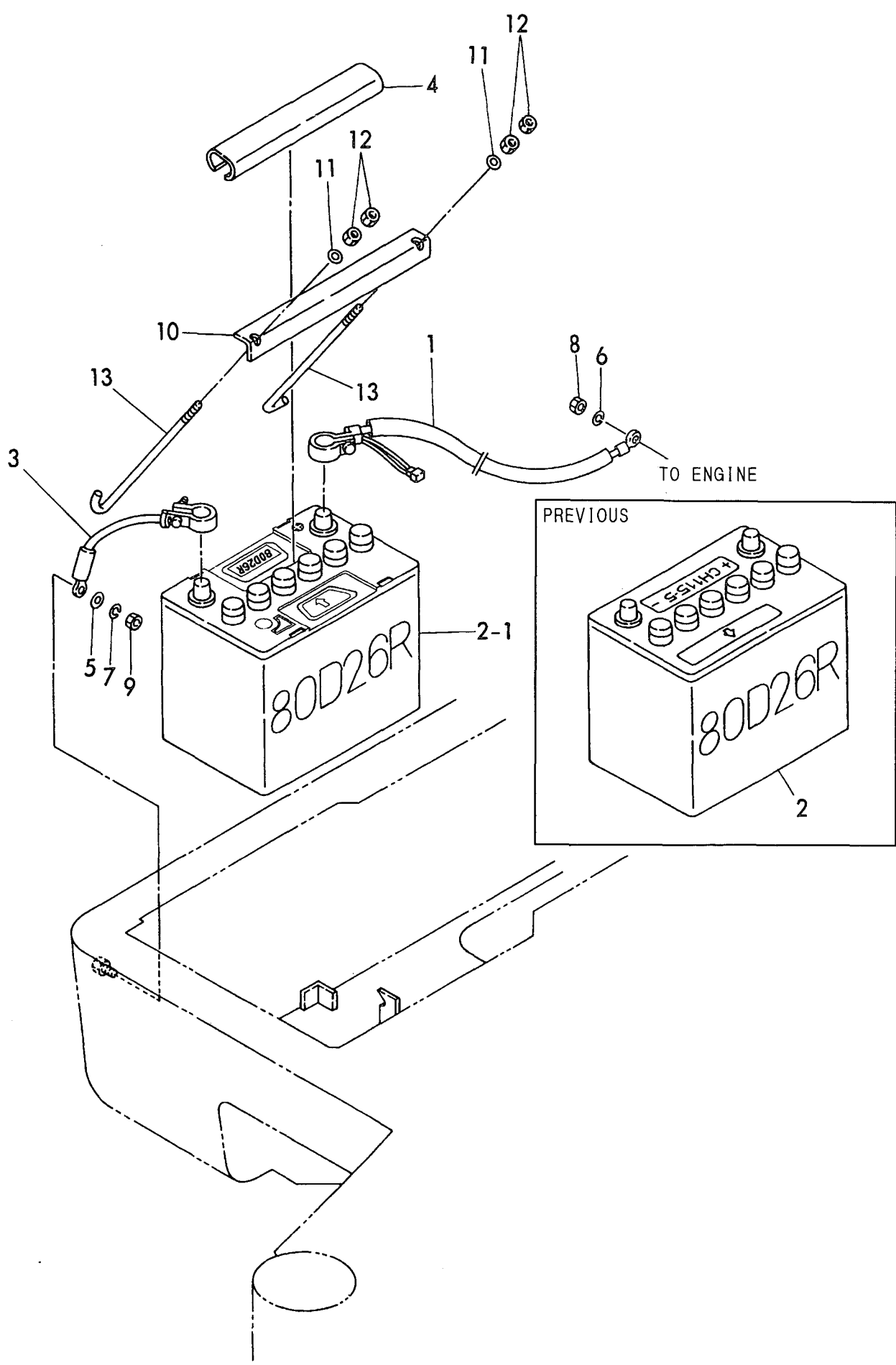
# Fig. 7 FUEL TANK & FUEL PIPE

1 inc. (1) ~ 16



1,1,,172142-16100,, "CORD(+), BATTERY",1,1,,,,,,,,,,,,,  
2,1,,172168-16100,, BATTERY,1,1,,,,,,,,,,,,,  
2-1,1,,172168-  
16101,, BATTERY,1,1,,,,,R,,72168198,M31194,72168198,M31194,,,,,,,,,I  
3,1,,172142-16110,, "CORD(-), BATTERY",1,1,,,,,,,,,,,,,  
4,1,,194432-51550,, "COVER, BATTERY",1,1,,,,,,,,,,,,,  
5,1,,22137-100000,, "WASHER 10,POLISHED",1,1,,,,,,,,,,,,,  
6,1,,22217-080000,, "SPRING WASHER 8",1,1,,,,,,,,,,,,,  
7,1,,22217-100000,, "SPRING WASHER 10",1,1,,,,,,,,,,,,,  
8,1,,26716-080002,, "NUT M 8",1,1,,,,,,,,,,,,,  
9,1,,26716-100002,, "NUT M10",1,1,,,,,,,,,,,,,  
10,1,,172168-16300,, "CLAMP, BATTERY",1,1,,,,,,,,,,,,,  
11,1,,22157-080000,, "WASHER 8",2,2,,,,,,,,,,,,,  
12,1,,26716-080002,, "NUT M 8",4,4,,,,,,,,,,,,,  
13,1,,933171-15710,, "ROD(B), BATTERY FIX",2,2,,,,,,,,,,,,,

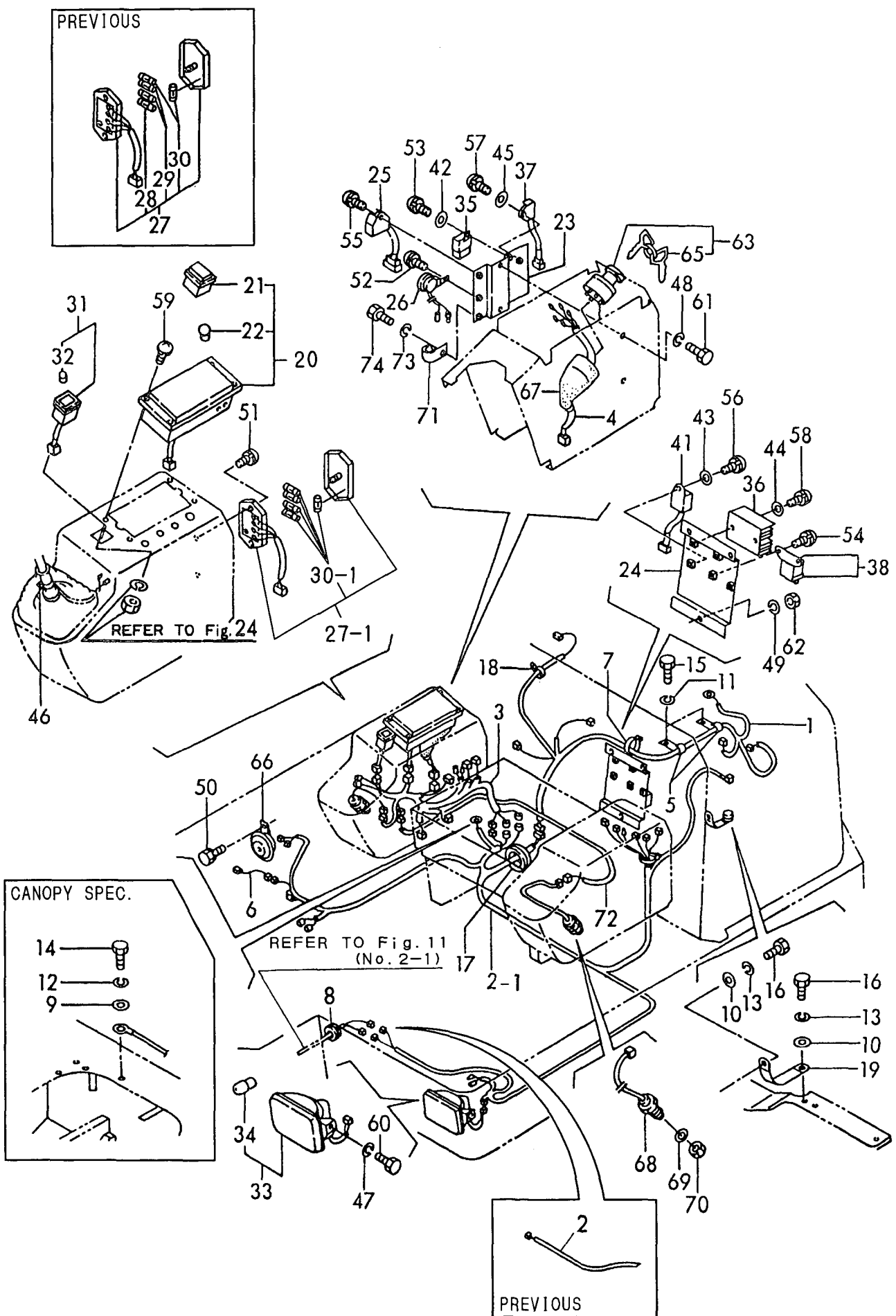
Fig. 8 BATTERY



1,1,,172168-16500,,HARNESS(A),1,1,,,,,,,,,,,,,  
2,1,,172168-16510,,HARNESS(B),1,1,,,,,,,,,,,,,  
2-1,1,,172168-16511,,,"HARNESS (B),  
WIRE",1,1,,,,,S,,72149216,M31297,72149216,M31297,,,,,  
3,1,,172168-16520,,,"HARNESS C",1,1,,,,,,,,,,,,,  
4,1,,172165-16530,,,"HARNESS D",1,1,,,,,,,,,,,,,  
5,1,,172126-16540,,,"CLAMP 10X70",2,2,,,,,,,,,,,,,  
6,1,,172122-16570,,,"LINK, FUSIBLE",1,1,,,,,,,,,,,,,  
7,1,,194250-51660,,,"BAND 250",1,1,,,,,,,,,,,,,  
8,1,,1A1380-58050,,,"GROMMET 16X20X4.5",1,1,,,,,,,,,,,,,  
9,1,,22137-100000,,,"WASHER 10,POLISHED",1,1,,,,,,,,,,,,,  
10,1,,22137-120000,,,"WASHER 12,POLISHED",2,2,,,,,,,,,,,,,  
11,1,,22217-100000,,,"SPRING WASHER 10",2,2,,,,,,,,,,,,,  
12,1,,22217-100000,,,"SPRING WASHER 10",1,1,,,,,,,,,,,,,  
13,1,,22217-120000,,,"WASHER 12,SPRING",2,2,,,,,,,,,,,,,  
14,1,,26116-100162,,,"BOLT M10X 16 PLATED",1,1,,,,,,,,,,,,,  
15,1,,26116-100162,,,"BOLT M10X 16 PLATED",2,2,,,,,,,,,,,,,  
16,1,,26116-120162,,,"BOLT M12X 16 PLATED",2,2,,,,,,,,,,,,,  
17,1,,29311-515000,,,"GROMMET 51X5",1,1,,,,,,,,,,,,,  
18,1,,933168-55770,,,"BAND 146",5,5,,,,,,,,,,,,,  
18-1,1,,933168-55770,,,"BAND  
146",3,3,,,,,K,,72165345,M30891,72165345,M30891,,,,,,I  
19,1,,933171-15801,,,"WIRE, EARTH",1,1,,,,,,,,,,,,,  
20,1,,172162-17100,,,"BOX ASSY, INDICATOR",1,1,,,,,,,,,,,,,  
20-1,1,,172162-17101,,,"BOX ASSY,  
INDICATOR",1,1,,,,,N,,72162464,M31361,72162464,M31361,,,,,,  
21,2,,172162-17130,,,"HOURMETER",1,1,,,,,W,,72162464,M31361,72162464,M31361,,,,,,  
22,2,,172162-17120,,,"VALVE",4,4,,,,,,,,,,,,,  
23,1,,172168-17100,,,"BRACKET ASSY, ELEC.",1,1,,,,,,,,,,,,,  
24,1,,172168-17120,,,"BRACKET ASSY, TIMER",1,1,,,,,,,,,,,,,  
25,1,,172141-17141,,,"UNIT, CHECKER",1,1,,,,,,,,,,,,,  
26,1,,172141-17150,,,"BUZZER",1,1,,,,,,,,,,,,,  
27,1,,172141-17160,,,"BOX, FUSE",1,1,,,,,,,,,,,,,  
27-1,1,,172141-17161,,,"BOX,  
FUSE",1,1,,,,,N,,72165378,M31066,72165378,M31066,,,,,,I  
28,2,,29411-050000,,,"FUSE (  
5A),CARTRIDGE",1,1,,,,,Z,,72165378,M31066,72165378,M31066,,,,,,I  
29,2,,29411-100000,,,"FUSE  
(10A),CARTRIDGE",2,2,,,,,Z,,72165378,M31066,72165378,M31066,,,,,,I  
30,2,,29411-150000,,,"FUSE (15A),CARTRIDGE",2,2,,,,,,,,,,,,,  
30-1,2,,29411-150000,,,"FUSE  
(15A),CARTRIDGE",5,5,,,,,K,,72165378,M31066,72165378,M31066,,,,,,I  
31,1,,172141-17190,,,"SWITCH, WORK LAMP",1,1,,,,,,,,,,,,,  
32,2,,172141-17230,,,"BULB 24V- 6W",1,1,,,,,,,,,,,,,  
33,1,,172162-17410,,,"LAMP ASSY, HEADLIGHT",1,1,,,,,,,,,,,,,  
34,2,,29220-788200,,,"BULB",1,1,,,,,,,,,,,,,  
35,1,,119247-77100,,,"RELAY, SAFETY",1,1,,,,,,,,,,,,,  
36,1,,119640-77711,,,"LIMITER,CURRENT",1,1,,,,,,,,,,,,,  
37,1,,121522-77721,,,"INDICATOR, CHARGING",1,1,,,,,,,,,,,,,  
38,1,,119650-77910,,,"RELAY, GROW",1,1,,,,,,,,,,,,,  
41,1,,119632-77920,,,"TIMER",1,1,,,,,,,,,,,,,  
41-1,1,,119632-77921,,,"TIMER(1  
SEC.",1,1,,,,,N,,72175176,M31533,72175176,M31533,,,,,,I  
42,1,,22137-060000,,,"WASHER 6, POLISHED",2,2,,,,,,,,,,,,,  
43,1,,22137-060000,,,"WASHER 6, POLISHED",1,1,,,,,,,,,,,,,  
44,1,,22137-060000,,,"WASHER 6, POLISHED",2,2,,,,,,,,,,,,,  
45,1,,22137-060000,,,"WASHER 6, POLISHED",1,1,,,,,,,,,,,,,  
46,1,,933168-55770,,,"BAND 146",1,1,,,,,,,,,,,,,  
47,1,,22217-080000,,,"SPRING WASHER 8",2,2,,,,,,,,,,,,,  
48,1,,22217-080000,,,"SPRING WASHER 8",2,2,,,,,,,,,,,,,  
49,1,,22217-100000,,,"SPRING WASHER 10",3,3,,,,,,,,,,,,,  
50,1,,26013-060122,,,"BOLT M 6X 12",2,2,,,,,,,,,,,,,  
51,1,,26022-050162,,,"SCREW M 5X 16",2,2,,,,,,,,,,,,,

52,1,,26022-060122,, "SCREW M 6X 12",1,1,,,,,,,,,,,,,,,,,,,,,  
53,1,,26022-060122,, "SCREW M 6X 12",1,1,,,,,,,,,,,,,,,,,,,,,  
54,1,,26022-060122,, "SCREW M 6X 12",2,2,,,,,,,,,,,,,,,,,,,,,  
55,1,,26022-060162,, "SCREW M 6X 16",1,1,,,,,,,,,,,,,,,,,,,,,  
56,1,,26022-060162,, "SCREW M 6X 16",1,1,,,,,,,,,,,,,,,,,,,,,  
57,1,,26022-060162,, "SCREW M 6X 16",1,1,,,,,,,,,,,,,,,,,,,,,  
58,1,,26022-060252,, "SCREW M 6X 25",2,2,,,,,,,,,,,,,,,,,,,,,  
59,1,,26589-040202,, "SCREW M4,BINDING",4,4,,,,,,,,,,,,,,,,,,,,,  
60,1,,26116-080162,, "BOLT M 8X 16 PLATED",2,2,,,,,,,,,,,,,,,,,,,,,  
61,1,,26116-080162,, "BOLT M 8X 16 PLATED",2,2,,,,,,,,,,,,,,,,,,,,,  
62,1,,26716-100002,, "NUT M10",3,3,,,,,,,,,,,,,,,,,,,,,  
63,1,,933110-00100,, "SWITCH ASSY, STARTER",1,1,,,,,,,,,,,,,,,,,,,,,  
65,2,,933110-00301,, "KEY ASSY",1,1,,,,,,,,,,,,,,,,,,,,,  
66,1,,933110-05300,, "HORN",1,1,,,,,,,,,,,,,,,,,,,,,  
67,1,,933113-15900,, "COVER, SWITCH TERMI.",1,1,,,,,,,,,,,,,,,,,,,,,  
68,1,,194464-52190,, "SWITCH, SAFETY START",2,2,,,,,,,,,,,,,,,,,,,,,  
69,1,,22137-180000,, "WASHER 18",2,2,,,,,Z,XXX,XXX,XXX,XXX,,,,,,I  
70,1,,26776-180002,, "NUT M18,LOCK",2,2,,,,,,,,,,,,,,,,,,,,,  
71,1,,172142-16550,, "CLAMP",1,1,,,,,,,,,,,,,,,,,,,,,  
72,1,,172165-16560,, "HARNES (G)",1,1,,,,,,,,,,,,,,,,,,,,,  
73,1,,22217-060000,, "SPRING WASHER 6",1,1,,,,,,,,,,,,,,,,,,,,,  
74,1,,26116-060122,, "BOLT M 6X 12",1,1,,,,,,,,,,,,,,,,,,,,,

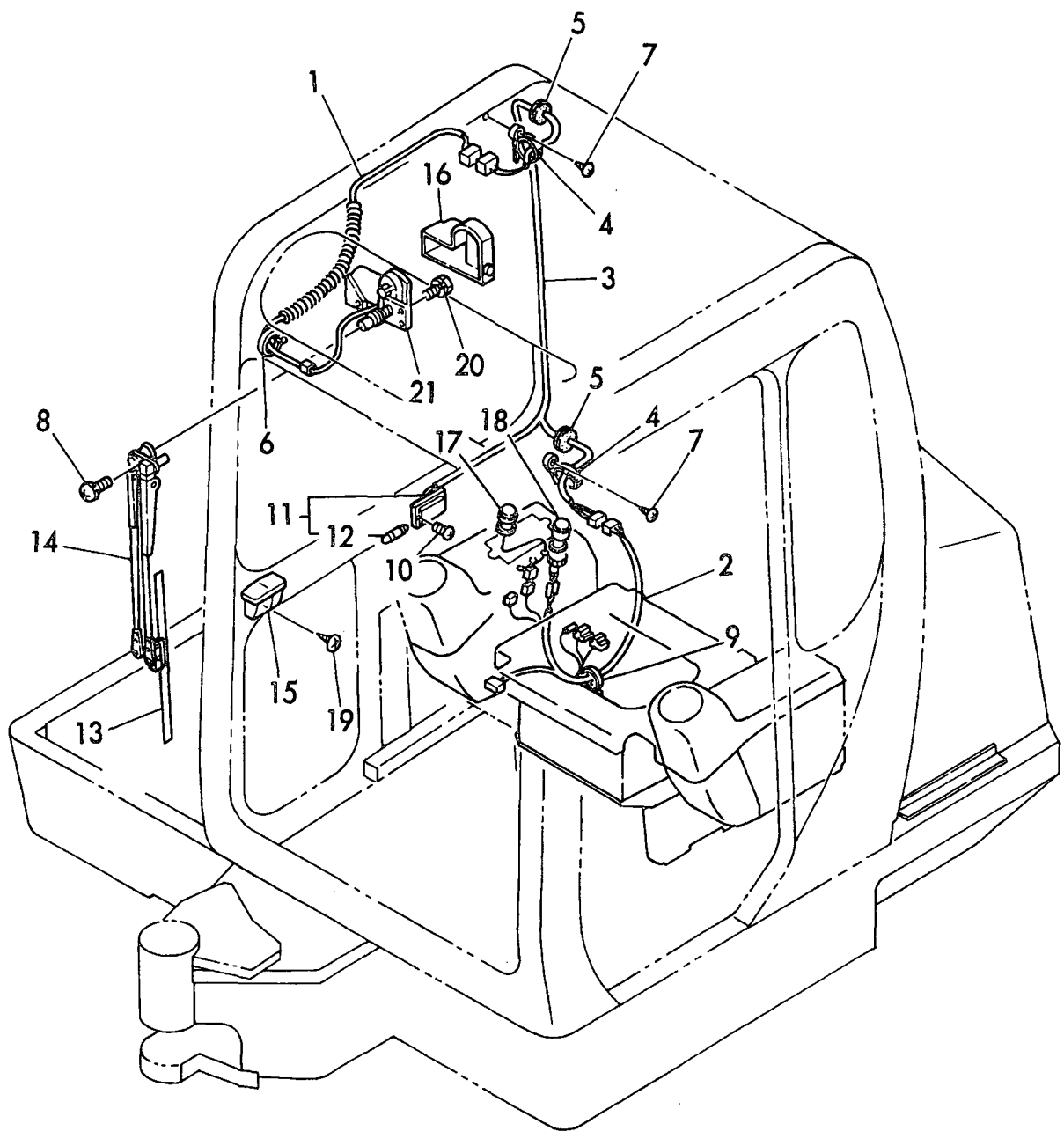
Fig. 9 ELECTRIC PART (CABIN, CANOPY)





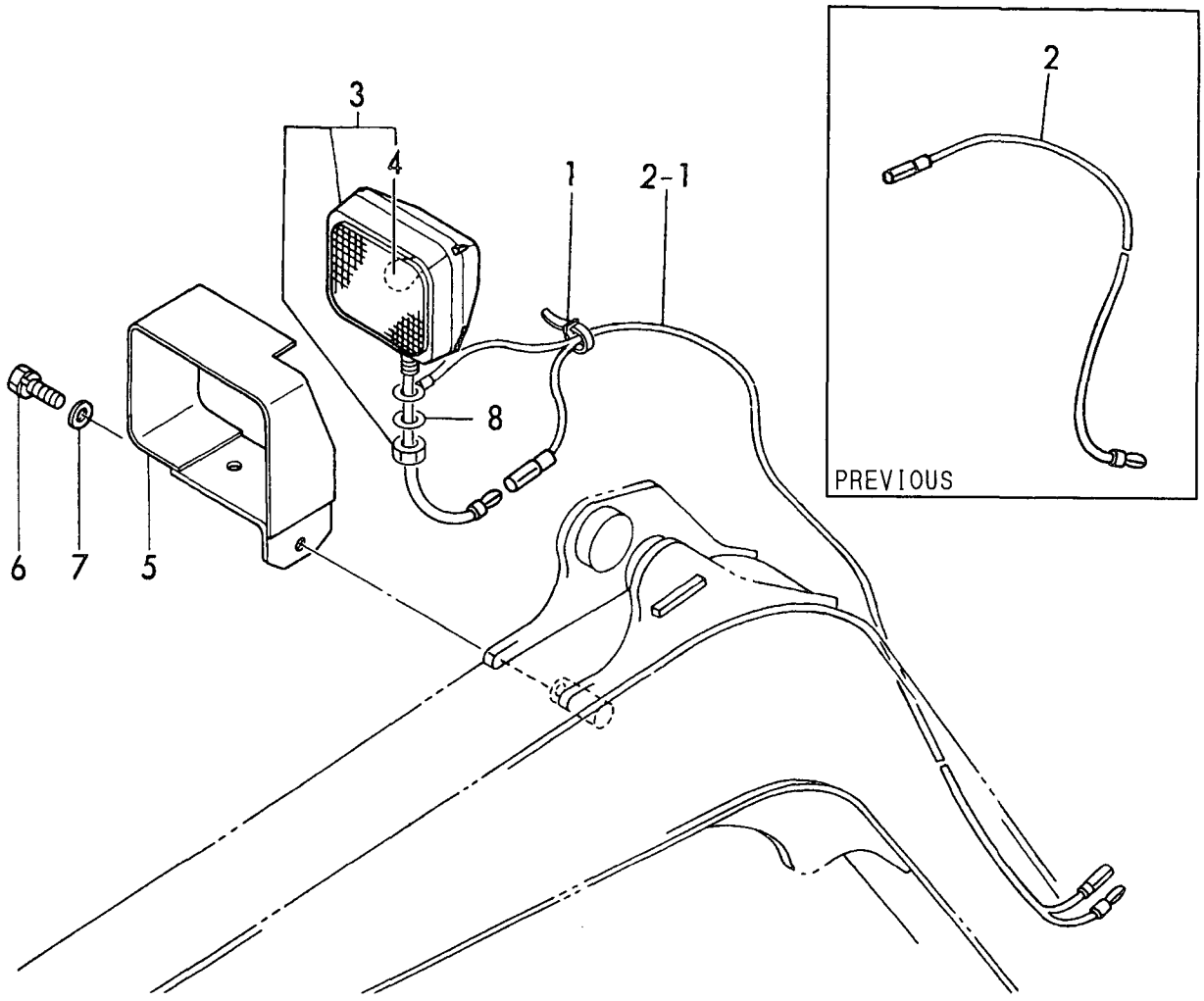
1,1,,172137-16000,,WIRE,1,,,,,,,,,,,,,  
2,1,,172165-16540,, "HARNESS E",1,,,,,,,,,,,,,  
3,1,,172165-16550,, "HARNESS (F)",1,,,,,,,,,,,,,  
4,1,,172122-16590,, "BAND 200F",2,,,,,,,,,,,,,  
5,1,,172137-62970,, "GROMMET 16",2,,,,,,,,,,,,,  
6,1,,172122-79890,, "CLAMP 350",1,,,,,,,,,,,,,  
7,1,,22857-400120,, "SCREW 4X12",2,,,,,,,,,,,,,  
8,1,,26022-050202,, "SCREW M 5X 20",1,,,,,,,,,,,,,  
9,1,,933168-55770,, "BAND 146",1,,,,,,,,,,,,,  
10,1,,22857-400100,, "SCREW 4X10",2,,,,,,,,,,,,,  
11,1,,933113-05150,, "LAMP, ROOM",1,,,,,,,,,,,,,  
12,2,,933113-05160,, "BULB (12V5W)",1,,,,,,,,,,,,,  
13,1,,172734-17070,, "BLADE 450, WIPER",1,,,,,,,,,,,,,  
14,1,,172165-17130,, ARM,1,,,,,,,,,,,,,  
15,1,,172312-17250,, ASHTRAY,1,,,,,,,,,,,,,  
16,1,,172151-17300,, COVER,1,,,,,,,,,,,,,  
17,1,,172162-17330,, "SWITCH,WIPER",1,,,,,,,,,,,,,  
18,1,,933113-15000,, "CIGAR LIGHTER ASSY",1,,,,,,,,,,,,,  
19,1,,22867-400100,, "SCREW 4X10",3,,,,,,,,,,,,,  
20,1,,26013-060122,, "BOLT M 6X 12",3,,,,,,,,,,,,,  
21,1,,172165-16200,, "MOTOR 520A, WIPER",1,,,,,,,,,,,,,

Fig. 10 ELECTRIC PART (CABIN SPEC.)



1,1,,172137-16560,,BAND,5,5,,,,,,,,,,,,,  
2,1,,172141-16560,,,"WIRE, LAMP",1,1,,,,,,,,,,,,,  
2-1,1,,172141-16561,,,"WIRE,  
LAMP",1,1,,,,,S,,72149216,M31297,72149216,M31297,,,,,,  
3,1,,172141-17201,,,"LAMP, WORK",1,1,,,,,,,,,,,,,  
4,2,,172141-17211,,,"BULB 12V55W",1,1,,,,,,,,,,,,,  
5,1,,172137-17401,,COVER,1,1,,,,,,,,,,,,,  
6,1,,26013-120302,,,"BOLT W/WASHER M12X30",1,1,,,,,,,,,,,,,  
7,1,,933152-03700,,,"WASHER, SIDE CLUTCH",1,1,,,,,,,,,,,,,  
8,1,,22137-130000,,,"WASHER 13",2,2,,,,,W,,72149216,M31297,72149216,M31297,,,,,,

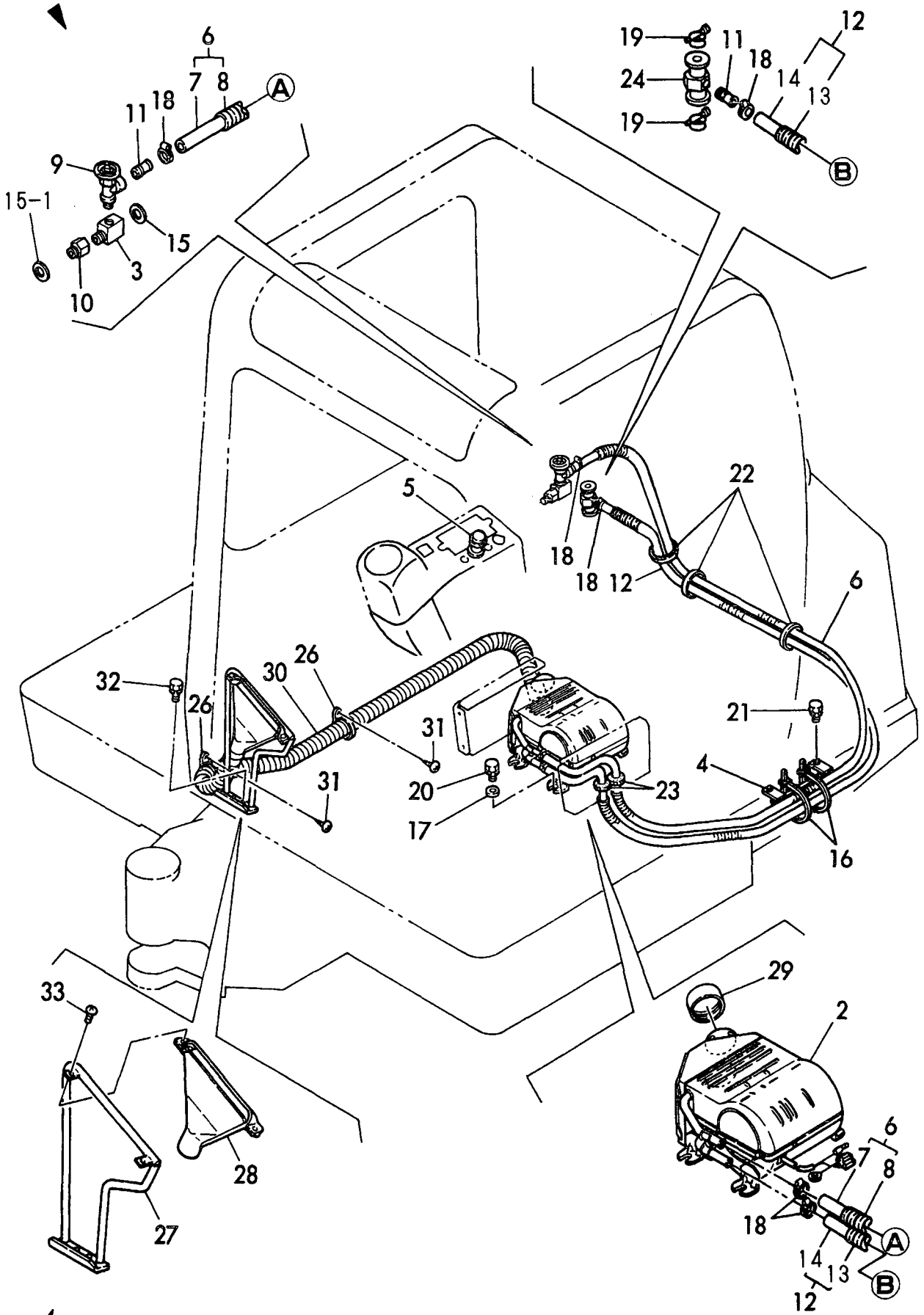
Fig. 11 WORK LAMP



1,1,,772171-17600,, "HEATER ASSY",1,,,,,,,,,,,,,  
2,2,,172165-17600,, "HEATER COMPL.",1,,,,,,,,,,,,,  
2-1,2,,172165-17601,, "HEATER ASSY",1,,,,,N,,72165378,M31066,,,,,,,,,I  
3,2,,172168-17600,, "CONNECTOR PT3/8-M16",1,,,,,,,,,,,,,  
4,2,,172171-17600,, "STAY COMP.,CLAMP",1,,,,,,,,,,,,,  
5,2,,172162-17610,, "SWITCH,HEATER",1,,,,,,,,,,,,,  
6,2,,172168-17640,, "HOSE ASSY, HEATER",1,,,,,,,,,,,,,  
7,3,,172312-17620,, "HOSE, HEATER",1,,,,,,,,,,,,,  
8,3,,172168-17650,, "CORRUGAT 22X2000",1,,,,,,,,,,,,,  
9,2,,172124-17630,, "VALVE, MINIATURE",1,,,,,,,,,,,,,  
10,2,,172137-17630,, "JOINT, HEATER",1,,,,,,,,,,,,,  
11,2,,172124-17640,, "JOINT 3/8",2,,,,,,,,,,,,,  
12,2,,172171-17620,, "HOSE COMP.,HEATER",1,,,,,,,,,,,,,  
13,3,,172171-17630,, "TUBE,CORRUGATED",1,,,,,,,,,,,,,  
14,3,,172122-17840,, "HOSE, HEATER",1,,,,,,,,,,,,,  
15,2,,124465-44950,, "GASKET 16",1,,,,,,,,,,,,,  
15-1,2,,124465-44950,, "GASKET 16",2,,,,,K,,72165328,M30875,,,,,,,,,I  
16,2,,194250-51660,, "BAND 250",2,,,,,,,,,,,,,  
17,2,,22137-100000,, "WASHER 10,POLISHED",4,,,,,,,,,,,,,  
18,2,,23000-022000,, "CLAMP 22",4,,,,,,,,,,,,,  
19,2,,23010-038000,, "CLAMP 38",2,,,,,,,,,,,,,  
20,2,,26013-100202,, "BOLT W/WASHER M10X20",4,,,,,,,,,,,,,  
21,2,,26013-100202,, "BOLT W/WASHER M10X20",2,,,,,,,,,,,,,  
22,2,,933152-09280,, "BAND 170",5,,,,,,,,,,,,,  
23,2,,933171-15680,, "GROMMET 40X13",2,,,,,,,,,,,,,  
24,2,,172141-13490,, "JOINT,1",,,,,,,,,,,,,,  
25,1,,772165-17700,, "DEFROSTER ASSY",1,,,,,,,,,,,,,  
26,2,,172122-16590,, "BAND 200F",2,,,,,,,,,,,,,  
27,2,,172165-17701,, "BRACKET COMPL.",1,,,,,,,,,,,,,  
28,2,,172120-17710,, "NOZZLE, DEFROSTER",1,,,,,,,,,,,,,  
29,2,,172122-17730,, "COVER, DEFROSTER",1,,,,,,,,,,,,,  
30,2,,172165-17800,, "HOSE,1",,,,,,,,,,,,,,  
31,2,,22857-400120,, "SCREW 4X12",2,,,,,,,,,,,,,  
32,2,,26013-080202,, "BOLT W/WASHER M8X20",2,,,,,,,,,,,,,  
33,2,,26557-050102,, "SCREW M 5X 10",2,,,,,,,,,,,,,

# Fig. 12 HEATER & DEFROSTER

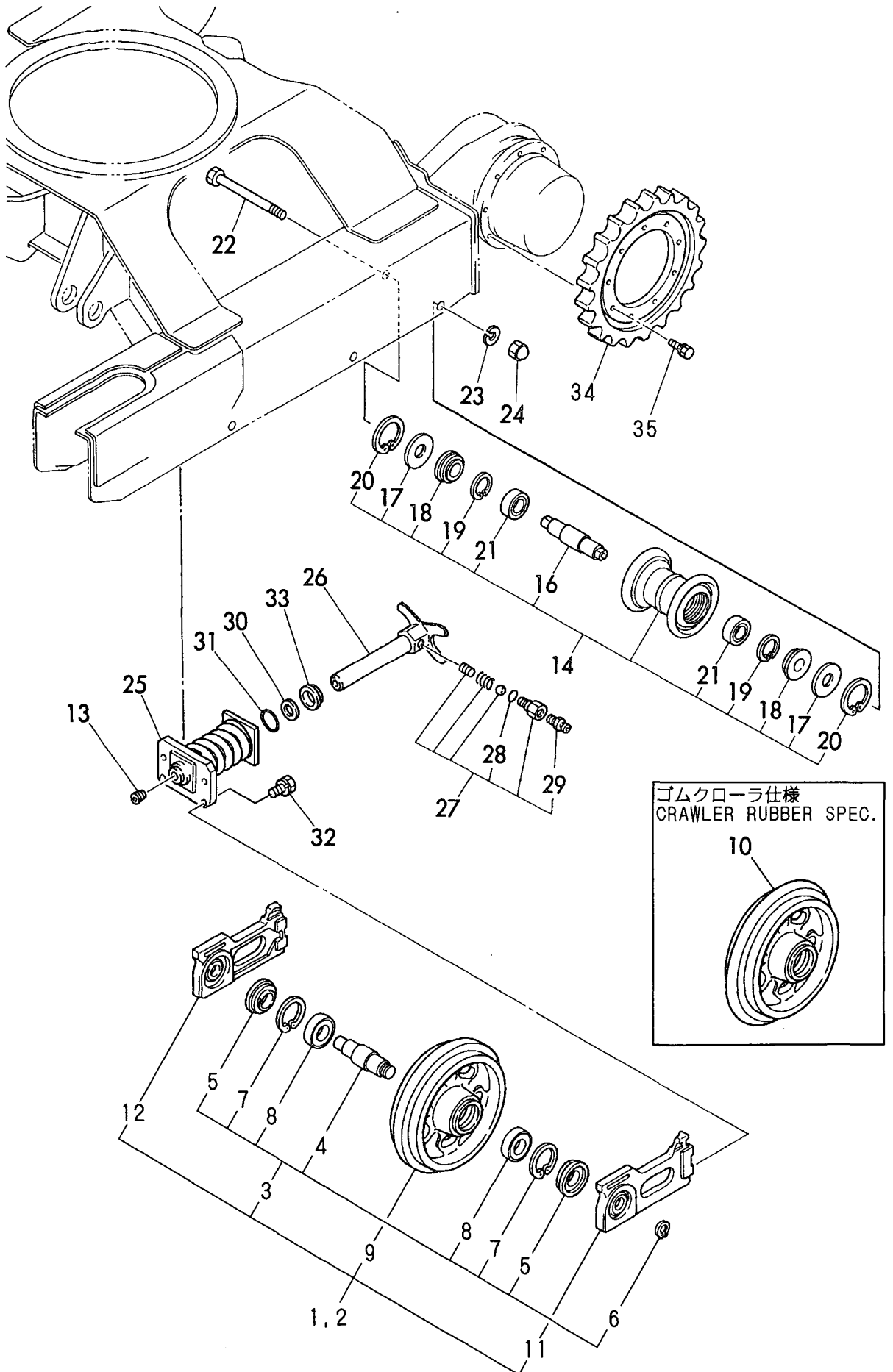
1 inc. 2 ~ 24



25 inc. 26 ~ 33

1,1,,772141-37100,, "IDLER 280 ASSY",2,2,,,,,,,,,,,,,  
1-1,1,,772141-37101,, IDLER,2,2,,,,,R,,72175004,M31441,72175004,M31441,,,,,,  
2,1,,772146-37100,, "IDLER 280 ASSY",2,2,,,,,1,,,,,,,,,,,,,  
2-1,1,,772146-37101,, IDLER,2,2,,,,,R,1,72175004,M31441,72175004,M31441,,,,,,  
3,2,,172141-99490,, "IDLER KIT, FRONT",2,2,,,,,,,,,,,,,  
4,3,,172141-37130,, "SHAFT, IDLER",2,2,,,,,,,,,,,,,  
5,3,,172141-37140,, "SEAL 357220",4,4,,,,,,,,,,,,,  
6,3,,22242-000300,, "CIRCLIP 30",2,2,,,,,,,,,,,,,  
7,3,,22252-000720,, "CIRCLIP 72",4,4,,,,,,,,,,,,,  
8,3,,24101-062074,, "BALL BEARING",4,4,,,,,,,,,,,,,  
9,2,,172141-37100,, "IDLER 280",2,2,,,,,,,,,,,,,  
10,2,,172146-37100,, "IDLER 280",2,2,,,,,1,,,,,,,,,,,,,  
11,2,,172141-37110,, "FORK(L), IDLER",2,2,,,,,,,,,,,,,  
11-1,2,,172141-37111,, "FORK(L),  
IDLER",2,2,,,,,R,,72175004,M31441,72175004,M31441,,,,,,I  
12,2,,172141-37120,, "FORK(R), IDLER",2,2,,,,,,,,,,,,,  
12-1,2,,172141-37121,, "FORK(R),  
IDLER",2,2,,,,,R,,72175004,M31441,72175004,M31441,,,,,,I  
13,1,,933171-13691,, "PLUG PT1/8",2,2,,,,,,,,,,,,,  
14,1,,772142-37300,, "ROLLER ASSY, TRACK",6,6,,,,,,,,,,,,,  
16,2,,172146-37310,, "SHAFT, ROLLER",6,6,,,,,,,,,,,,,  
17,2,,172141-37320,, "SPACER 75X2.6",12,12,,,,,,,,,,,,,  
18,2,,1A1030-48250,, "SEAL QLF30621218,OIL",12,12,,,,,,,,,,,,,  
19,2,,22252-000620,, "CIRCLIP 62(H)",12,12,,,,,,,,,,,,,  
20,2,,22252-000750,, "CIRCLIP 75",12,12,,,,,,,,,,,,,  
21,2,,933111-73800,, BEARING,12,12,,,,,,,,,,,,,  
22,1,,172113-36050,, "BOLT, ROLLER ADJUST",6,6,,,,,,,,,,,,,  
23,1,,22217-160000,, "SPRING WASHER 16",6,6,,,,,,,,,,,,,  
24,1,,26657-160002,, "CAP NUT M16",6,6,,,,,,,,,,,,,  
25,1,,172146-37700,, SPRING,2,2,,,,,,,,,,,,,  
26,1,,172141-37801,, "PISTON, ADJUST",2,2,,,,,,,,,,,,,  
27,1,,172122-37843,, "VALVE ASSY, NIPPLE",2,2,,,,,,,,,,,,,  
28,2,,24315-000140,, "O-RING 1B P-14.0",2,2,,,,,,,,,,,,,  
29,2,,24761-020000,, "NIPPLE PT1/8,GREASE",2,2,,,,,,,,,,,,,  
30,1,,172141-37850,, "RING G35, BACK UP",2,2,,,,,,,,,,,,,  
31,1,,24325-000350,, "O-RING 1B G 35.0",2,2,,,,,,,,,,,,,  
32,1,,26013-100402,, "BOLT M10X 40",8,8,,,,,,,,,,,,,  
33,1,,933126-34300,, "SEAL 3547710",2,2,,,,,,,,,,,,,  
34,1,,172141-29110,, SPROCKET,2,2,,,,,,,,,,,,,  
35,1,,26013-120302,, "BOLT W/WASHER M12X30",18,18,,,,,,,,,,,,,

Fig. 13 ROLLER & ADJUST

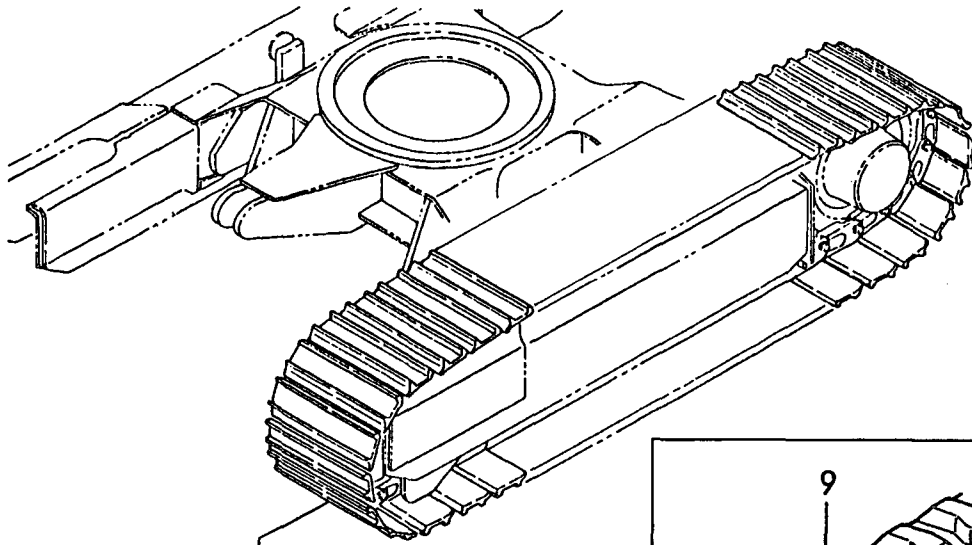


ゴムクローラ仕様  
CRAWLER RUBBER SPEC.  
10

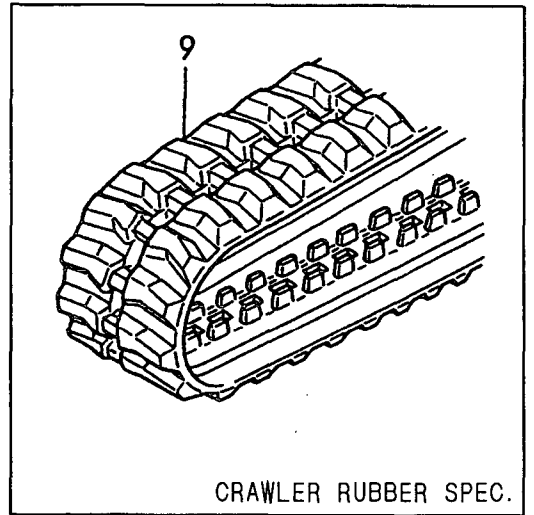
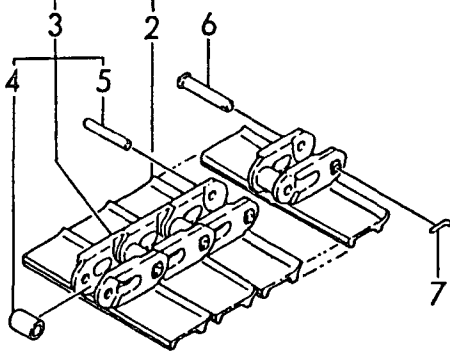


1,1,,172141-38100,, "CRAWLER 270 ASSY",2,2,,,,,,,,,,,,,  
2,2,,172141-38230,, "SHOE 270, CRAWLER",72,72,,,,,,,,,,,,,  
3,2,,172141-38150,, "LINK ASSY, CRAWLER",2,2,,,,,,,,,,,,,  
4,3,,172141-38200,, BUSH,72,72,,,,,,,,,,,,,  
5,3,,172141-38210,, "PIN, CRAWLER",70,70,,,,,,,,,,,,,  
6,1,,172141-38220,, "PIN, MASTER",2,2,,,,,,,,,,,,,  
7,1,,172614-38300,, "PIN 5X45, LOCK",2,2,,,,,,,,,,,,,  
8,1,,172141-38240,, "TRACK 270, MASTER",2,2,,,,,1,,,,,,,,,  
9,1,,172141-38610,, "CRAWLER, RUBBER",2,2,,,,,,,,,,,,,

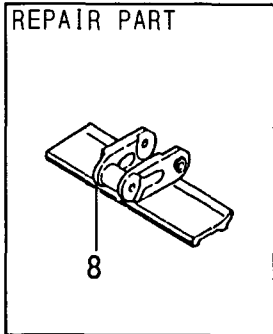
# Fig. 14 CRAWLER



CRAWLER (270)



CRAWLER RUBBER SPEC.



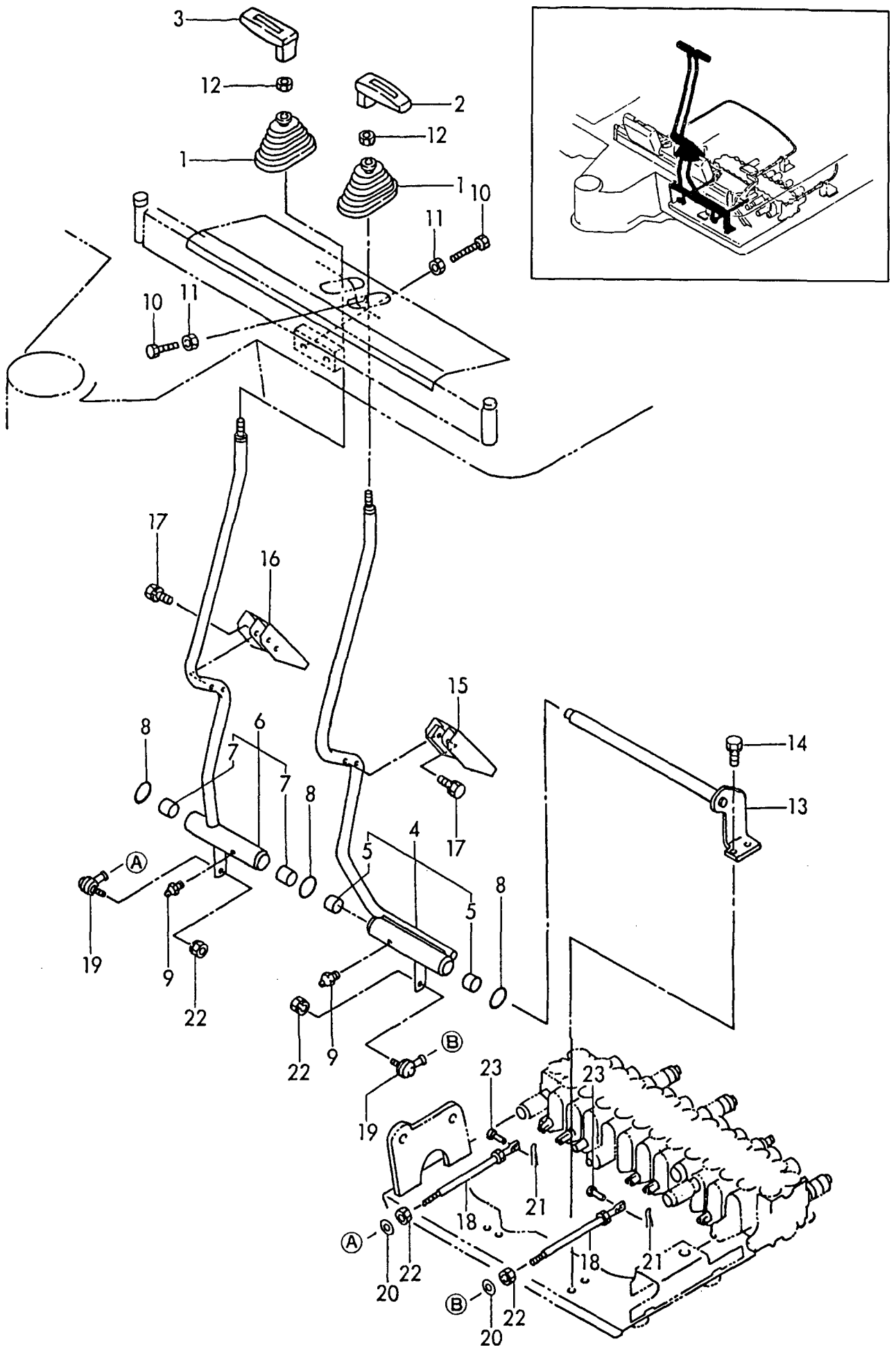
REPAIR PART

1,1,,172146-41320,,GROMMET,1,1,,,,,,,,,,,,,  
2,1,,194145-04810,,,"WASHER 10",2,2,,,,,,,,,,,,,  
3,1,,172165-46400,,SUPPORT,1,1,,,,,,,,,,,,,  
4,1,,172165-46660,,COVER,1,1,,,,,,,,,,,,,  
5,1,,172165-47100,,,"STAND R, LEVER",1,1,,,,,,,,,,,,,  
6,2,,172141-41370,,,"BUSH 2015",2,2,,,,,,,,,,,,,  
8,2,,24550-025150,,,"BUSH 25X15",2,2,,,,,,,,,,,,,  
9,1,,172165-47300,,,"STAND L, LEVER",1,1,,,,,,,,,,,,,  
10,2,,172141-41370,,,"BUSH 2015",2,2,,,,,,,,,,,,,  
12,2,,24550-025150,,,"BUSH 25X15",2,2,,,,,,,,,,,,,  
13,1,,172165-47730,,,"GUIDE, HOSE",2,2,,,,,,,,,,,,,  
13-1,1,,172165-47730,,,"GUIDE,  
HOSE",1,1,,,,,K,,72165286,M30650,72165286,M30650,,,,,,,,,I  
14,1,,172165-47770,,,"BRACKET, ACCEL",1,1,,,,,,,,,,,,,  
15,1,,172165-47900,,,"BRACKET R",1,1,,,,,,,,,,,,,  
16,1,,172165-47930,,,"BRACKET L",1,1,,,,,,,,,,,,,  
17,1,,172165-47960,,,"BOLT M 8",4,4,,,,,,,,,,,,,  
18,1,,172165-47980,,,"SHIM 42X25.5X0.5",4,4,,,,,,,,,,,,,  
19,1,,172151-53430,,GROMMET,2,2,,,,,,,,,,,,,  
20,1,,172165-47990,,WASHER,2,2,,,,,,,,,,,,,  
21,1,,172519-63240,,,"BOLT 8X 16",8,8,,,,,,,,,,,,,  
22,1,,22217-100000,,,"SPRING WASHER 10",7,7,,,,,,,,,,,,,  
23,1,,22242-000250,,,"CIRCLIP 25S",2,2,,,,,,,,,,,,,  
24,1,,24761-020000,,,"NIPPLE PT1/8,GREASE",4,4,,,,,,,,,,,,,  
25,1,,26013-080202,,,"BOLT W/WASHER M8X20",4,4,,,,,,,,,,,,,  
26,1,,26013-080202,,,"BOLT W/WASHER M8X20",4,4,,,,,,,,,,,,,  
27,1,,26013-100202,,,"BOLT W/WASHER M10X20",2,2,,,,,,,,,,,,,  
28,1,,26116-100202,,,"BOLT M10X 20 PLATED",5,5,,,,,,,,,,,,,  
29,1,,26116-100902,,,"BOLT M10X 90 PLATED",2,2,,,,,,,,,,,,,  
30,1,,194630-62360,,GROMMET,4,4,,,,,,,,,,,,,  
31,1,,26116-100504,,,"BOLT M10X 50 PLATED",1,1,,,,,,,,,,,,,  
32,1,,26716-100002,,,"NUT M10",1,1,,,,,,,,,,,,,  
33,1,,22117-080000,,,"WASHER 8",4,4,,,,,,,,,,,,,  
34,1,,24311-000340,,,"O-RING 1A P-34.0",4,4,,,,,,,,,,,,,  
35,1,,172165-47720,,,"GUIDE  
COMP.,HOSE",1,1,,,,,W,,72165286,M30650,72165286,M30650,,,,,,,,,I



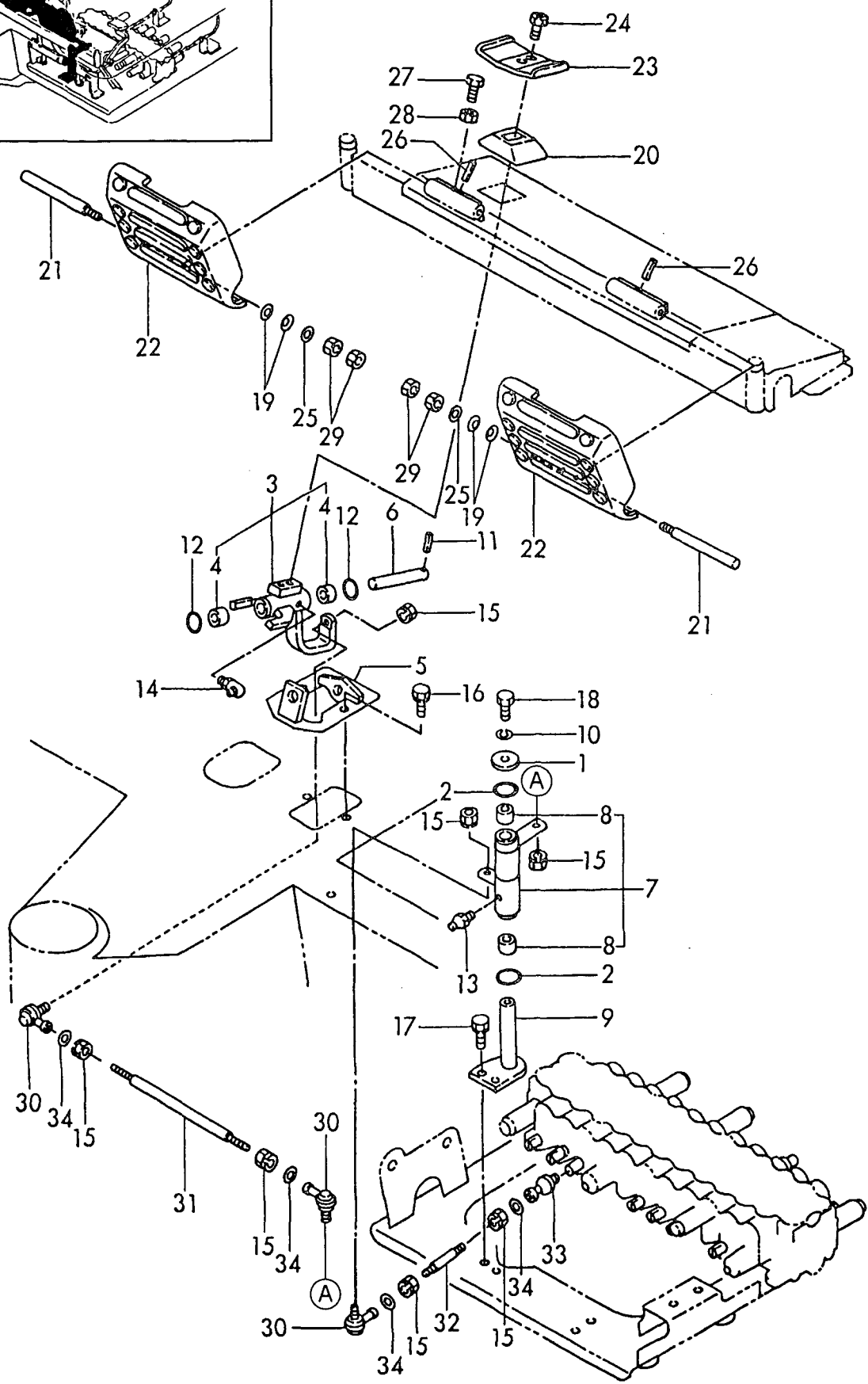
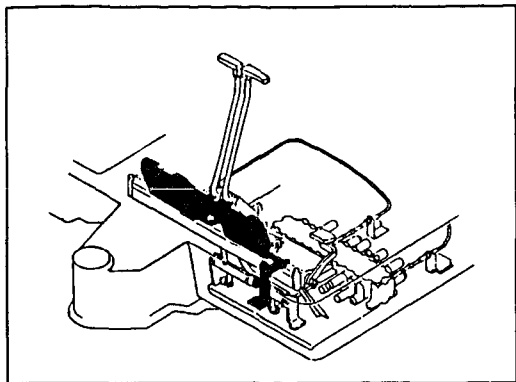
1,1,,172141-41340,,BOOTS,2,2,,,,,,,,,,,,,  
2,1,,172122-45050,,,"KNOB (L)",1,1,,,,,,,,,,,,,  
3,1,,172122-45060,,,"KNOB (R)",1,1,,,,,,,,,,,,,  
4,1,,172168-45100,,,"LEVER L COMP.,TRACK",1,1,,,,,,,,,,,,,  
5,2,,172141-41370,,,"BUSH 2015",2,2,,,,,,,,,,,,,  
6,1,,172168-45120,,,"LEVER R COMP.,TRACK",1,1,,,,,,,,,,,,,  
7,2,,172141-41370,,,"BUSH 2015",2,2,,,,,,,,,,,,,  
8,1,,172124-46200,,,"O-RING 27X5.7",3,3,,,,,,,,,,,,,  
9,1,,24761-020000,,,"NIPPLE PT1/8,GREASE",2,2,,,,,,,,,,,,,  
10,1,,26116-100504,,,"BOLT M10X 50 PLATED",4,4,,,,,,,,,,,,,  
11,1,,26716-100002,,,"NUT M10",4,4,,,,,,,,,,,,,  
12,1,,26756-100002,,,"LOCK NUT M10 PLATED",2,2,,,,,,,,,,,,,  
13,1,,172168-45200,,,"SHAFT, TRACK",1,1,,,,,,,,,,,,,  
14,1,,26013-100252,,,"BOLT W/WASHER M10X25",2,2,,,,,,,,,,,,,  
15,1,,172165-46100,,,"PEDAL L ASSY",1,1,,,,,,,,,,,,,  
16,1,,172165-46150,,,"PEDAL R COMP",1,1,,,,,,,,,,,,,  
17,1,,26013-060302,,,"BOLT M 6X 30",4,4,,,,,,,,,,,,,  
18,1,,172168-45940,,,"ROD 200",2,2,,,,,,,,,,,,,  
19,1,,172122-46590,,,"ELBALL 8",2,2,,,,,,,,,,,,,  
20,1,,22137-080000,,,"WASHER 8, POLISHED",2,2,,,,,,,,,,,,,  
21,1,,22417-160160,,,"COTTER PIN 1.6X16",2,2,,,,,,,,,,,,,  
22,1,,26051-080002,,,"NUT M 8",4,4,,,,,,,,,,,,,  
23,1,,933110-54100,,,"PIN 4.75X14",2,2,,,,,,,,,,,,,

Fig. 16 CONTROL EQUIPMENT (TRAVEL)



1,1,,1A1040-45890,, "WASHER 10 36 4.5",1,1,,,,,,,,,,,,,  
2,1,,172124-46200,, "O-RING 27X5.7",2,2,,,,,,,,,,,,,  
3,1,,172165-46300,, "LINK W/BUSH",1,1,,,,,,,,,,,,,  
4,2,,172141-41360,, "BUSH 1415",2,2,,,,,,,,,,,,,  
5,1,,172165-46350,, "BRACKET, PEDAL",1,1,,,,,,,,,,,,,  
6,1,,172146-41910,, "PIN 14-100",1,1,,,,,,,,,,,,,  
7,1,,172168-46800,, "LINK W/BUSH, SWING",1,1,,,,,,,,,,,,,  
8,2,,172141-41370,, "BUSH 2015",2,2,,,,,,,,,,,,,  
9,1,,172168-46820,, "SHAFT",1,1,,,,,,,,,,,,,  
10,1,,22217-100000,, "SPRING WASHER 10",1,1,,,,,,,,,,,,,  
11,1,,22351-040032,, "SPRING PIN 4X32",1,1,,,,,,,,,,,,,  
12,1,,24311-000210,, "O-RING 1A P-21.0",2,2,,,,,,,,,,,,,  
13,1,,24761-020000,, "NIPPLE PT1/8,GREASE",1,1,,,,,,,,,,,,,  
14,1,,24761-040000,, "NIPPLE B,GREASE",1,1,,,,,,,,,,,,,  
14-1,1,,24761-050000,, "NIPPLE  
C,GREASE",1,1,,,,,N,,72165314,M30866,72165314,M30866,,,,,,I  
15,1,,26051-080002,, "NUT M 8",7,7,,,,,,,,,,,,,  
16,1,,26013-100202,, "BOLT W/WASHER M10X20",2,2,,,,,,,,,,,,,  
17,1,,26013-100252,, "BOLT W/WASHER M10X25",2,2,,,,,,,,,,,,,  
18,1,,26116-100202,, "BOLT M10X 20 PLATED",1,1,,,,,,,,,,,,,  
19,1,,172068-28490,, "SPRING 8",4,4,,,,,,,,,,,,,  
20,1,,172157-45990,, "BOOTS, PEDAL",1,1,,,,,,,,,,,,,  
21,1,,172165-46230,, "SHAFT, SWING",2,2,,,,,,,,,,,,,  
22,1,,172165-46260,, "COVER, PEDAL",2,2,,,,,,,,,,,,,  
22-1,1,,172165-46261,, "COVER,  
PEDAL",2,2,,,,,N,,72164101,M31243,72164101,M31243,,,,,,I  
23,1,,172165-46280,, "PEDAL ASSY, SWING",1,1,,,,,,,,,,,,,  
23-1,1,,172165-46281,, "PEDAL ASSY,  
SWING",1,1,,,,,R,,72165374,M31066,72165374,M31066,,,,,,I  
24,1,,172165-46340,, "BOLT",2,2,,,,,,,,,,,,,  
25,1,,22137-080000,, "WASHER 8, POLISHED",2,2,,,,,,,,,,,,,  
26,1,,22351-040020,, "SPRING PIN 4X20",2,2,,,,,,,,,,,,,  
27,1,,26116-080254,, "BOLT M 8X 25 PLATED",2,2,,,,,,,,,,,,,  
27-1,1,,26116-080304,, "BOLT M 8X  
30",2,2,,,,,R,,72165371,M30996,72165371,M30996,,,,,,I  
28,1,,26716-080002,, "NUT M 8",2,2,,,,,,,,,,,,,  
29,1,,26756-080002,, "LOCK NUT M 8 PLATED",4,4,,,,,,,,,,,,,  
29-1,1,,26716-080002,, "NUT M  
8",4,4,,,,,R,,72183095,M31274,72183095,M31274,,,,,,I  
30,1,,172122-46590,, "ELBALL 8",3,3,,,,,,,,,,,,,  
31,1,,172168-46840,, "ROD 240",1,1,,,,,,,,,,,,,  
32,1,,172168-46860,, "ROD 100",1,1,,,,,,,,,,,,,  
33,1,,172122-47250,, "BALL 8, LINK",1,1,,,,,,,,,,,,,  
34,1,,22137-080000,, "WASHER 8, POLISHED",4,4,,,,,,,,,,,,,

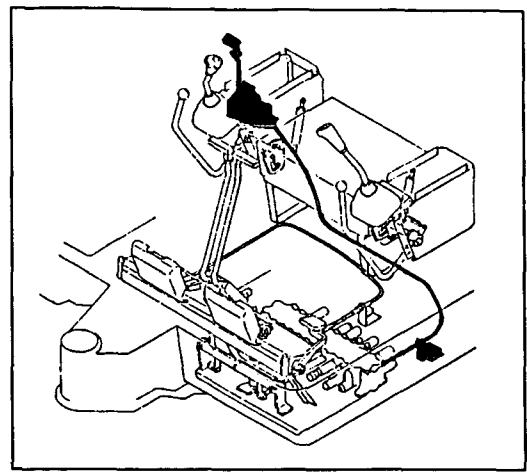
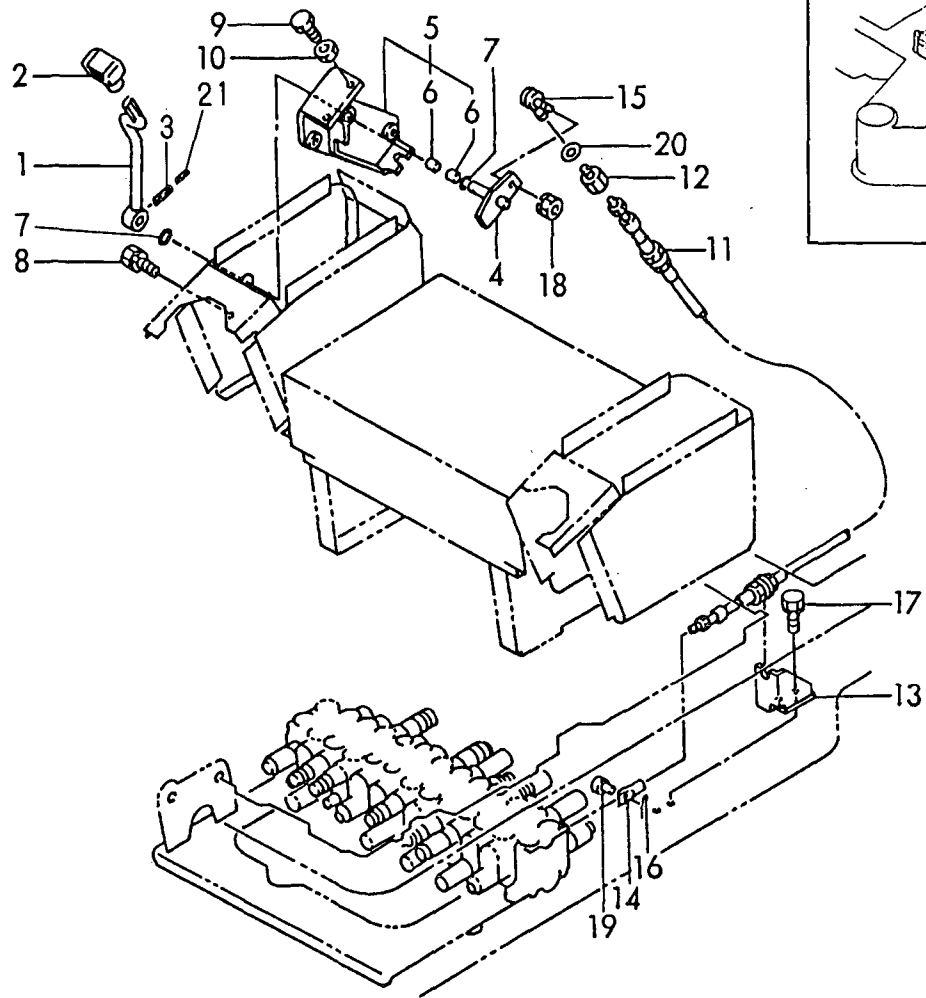
Fig. 17 CONTROL EQUIPMENT (SWING)





1,1,,172165-45270,, "LEVER ASSY, BLADE S",1,1,,,,,,,,,,,,,  
2,1,,172116-45940,, "KNOB (C), LEVER",1,1,,,,,,,,,,,,,  
3,1,,22351-050032,, "SPRING PIN 5X32",1,1,,,,,,,,,,,,,  
4,1,,172165-45140,, "LINK, BLADE",1,1,,,,,,,,,,,,,  
5,1,,172165-45180,, "BRACKET ASSY, REAR",1,1,,,,,,,,,,,,,  
6,2,,172141-41360,, "BUSH 1415",2,2,,,,,,,,,,,,,  
7,1,,24311-000210,, "O-RING 1A P-21.0",2,2,,,,,,,,,,,,,  
8,1,,26013-100202,, "BOLT W/WASHER M10X20",3,3,,,,,,,,,,,,,  
9,1,,26116-100354,, "BOLT M10X 35 PLATED",2,2,,,,,,,,,,,,,  
10,1,,26716-100002,, "NUT M10",2,2,,,,,,,,,,,,,  
11,1,,172141-42950,, "CABLE, BLADE",1,1,,,,,,,,,,,,,  
12,1,,172141-42960,, "JOINT, CABLE",1,1,,,,,,,,,,,,,  
13,1,,172168-45140,, "SUPPORT, BR CABLE",1,1,,,,,,,,,,,,,  
14,1,,172142-45670,, "ROD, SPOOL",1,1,,,,,,,,,,,,,  
15,1,,172122-46590,, "ELBALL 8",1,1,,,,,,,,,,,,,  
16,1,,22417-160160,, "COTTER PIN 1.6X16",1,1,,,,,,,,,,,,,  
17,1,,26013-100202,, "BOLT W/WASHER M10X20",2,2,,,,,,,,,,,,,  
18,1,,26051-080002,, "NUT M 8",1,1,,,,,,,,,,,,,  
19,1,,933110-54100,, "PIN 4.75X14",1,1,,,,,,,,,,,,,  
20,1,,933168-28480,, "WASHER 20X9X3.2",1,1,,,,,,,,,,,,,  
21,1,,22351-030032,, "SPRING PIN  
3X32",1,1,,,,,W,,72171062,M31270,72171062,M31270,,,,,,I

Fig. 18 CONTROL EQUIPMENT (BLADE)

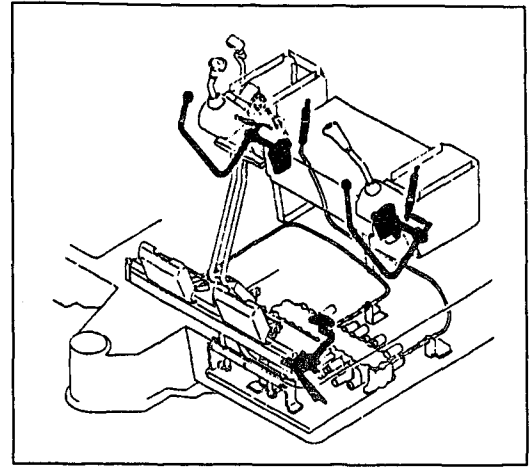
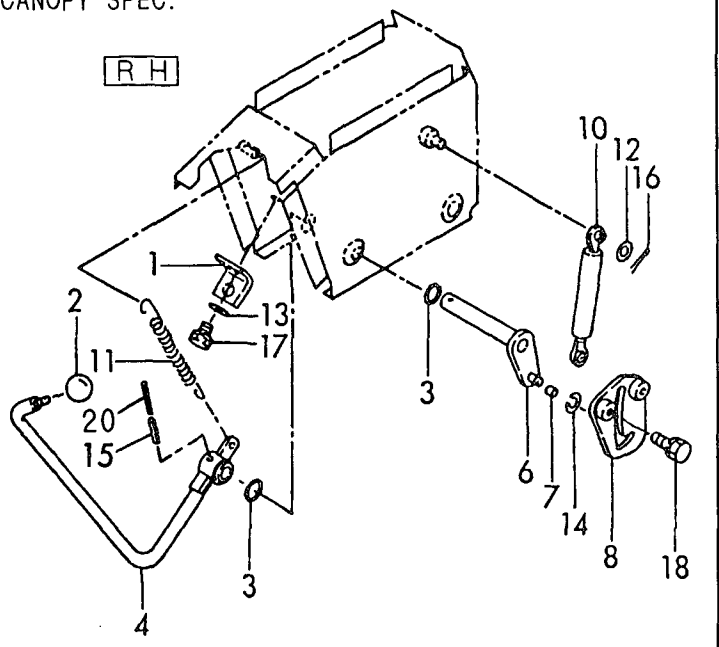


1,1,,172519-17111,,BRACKET,1,2,,,,,,,,,,,,,  
2,1,,1D4070-23580,,,"GRIP,RED ROUND",1,2,,,,,,,,,,,,,  
3,1,,172124-46200,,,"O-RING 27X5.7",2,4,,,,,,,,,,,,,  
4,1,,172168-47700,,LEVER,,1,,,,,,,,,,,,,  
5,1,,172165-47680,,,"LEVER L",1,1,,,,,,,,,,,,,  
6,1,,172165-47500,,,"ARM ASSY, LOCK",1,2,,,,,,,,,,,,,  
7,1,,172165-47550,,BUSH,1,2,,,,,,,,,,,,,  
8,1,,172165-47600,,,"GUIDE R ASSY, LOCK",,1,,,,,,,,,,,,,  
8-1,1,,172165-47601,,,"GUIDE R ASSY, LOCK",,1,,,,,N,,,,,72165365,M31066,,,,,,I  
9,1,,172165-47620,,,"GUIDE L COMP.,LOCK",1,1,,,,,,,,,,,,,  
9-1,1,,172165-47621,,,"GUIDE (L) ASSY,  
LOCK",1,1,,,,,N,,,,,72165365,M31066,72165365,M31066,,,,,,I  
10,1,,172165-47801,,,"SPRING,GAS",1,2,,,,,,,,,,,,,  
11,1,,1A1380-56661,,,"SPRING,ROTARY RETURN",1,2,,,,,,,,,,,,,  
12,1,,22137-080000,,,"WASHER 8, POLISHED",4,4,,,,,,,,,,,,,  
13,1,,22137-080000,,,"WASHER 8, POLISHED",2,4,,,,,,,,,,,,,  
14,1,,22272-000070,,,"CIRCLIP E- 7",1,2,,,,,,,,,,,,,  
15,1,,22351-060040,,,"SPRING PIN 6X40",1,2,,,,,,,,,,,,,  
16,1,,22417-200200,,,"COTTER PIN 2.0X20",4,4,,,,,,,,,,,,,  
17,1,,26013-080202,,,"BOLT W/WASHER M8X20",2,4,,,,,,,,,,,,,  
18,1,,26013-100202,,,"BOLT W/WASHER M10X20",2,4,,,,,,,,,,,,,  
19,1,,172165-47970,,BAR,1,,,,,,,,,,,,,  
20,1,,22351-035040,,,"SPRING PIN  
3.5X40",1,2,,,,,W,,,,,72165330,M30891,72165330,M30891,,,,,,I  
21,1,,172165-45720,,BRACKET,1,1,,,,,W,,,,,72171036,M30501,72171036,M30501,,,,,,I  
22,1,,172122-45830,,,"PAD,  
METAL",1,1,,,,,W,,,,,72171036,M30501,72171036,M30501,,,,,,I  
23,1,,172165-46170,,,"PADAL ASSY, LOW-  
HIGH",1,1,,,,,W,,,,,72171036,M30501,72171036,M30501,,,,,,I  
24,1,,172165-46190,,,"LINK ASSY, LOW-  
HIGH",1,1,,,,,W,,,,,72171036,M30501,72171036,M30501,,,,,,I  
25,1,,172165-46210,,ROD,1,1,,,,,W,,,,,72171036,M30501,72171036,M30501,,,,,,I  
26,1,,1C6281-52310,,,"PIN 6,COME-OFF  
SNAP",1,1,,,,,W,,,,,72171036,M30501,72171036,M30501,,,,,,I  
26-1,1,,22417-200200,,,"COTTER PIN  
2.0X20",1,1,,,,,S,,,,,72168205,M31270,72168205,M31270,,,,,,I  
27,1,,22137-100000,,,"WASHER  
10,POLISHED",1,1,,,,,W,,,,,72171036,M30501,72171036,M30501,,,,,,I  
28,1,,22417-160160,,,"COTTER PIN  
1.6X16",1,1,,,,,W,,,,,72171036,M30501,72171036,M30501,,,,,,I  
29,1,,24311-000210,,,"O-RING 1A P-  
21.0",2,2,,,,,W,,,,,72171036,M30501,72171036,M30501,,,,,,I  
30,1,,26013-100202,,,"BOLT W/WASHER  
M10X20",2,2,,,,,W,,,,,72171036,M30501,72171036,M30501,,,,,,I  
31,1,,26347-100002,,,"U-NUT  
M10",1,1,,,,,W,,,,,72171036,M30501,72171036,M30501,,,,,,I  
32,1,,933110-54100,,,"PIN  
4.75X14",1,1,,,,,W,,,,,72171036,M30501,72171036,M30501,,,,,,I  
33,1,,933171-21700,,,"PIN (B), SPOOL  
LINK",1,1,,,,,W,,,,,72171036,M30501,72171036,M30501,,,,,,I  
33-1,1,,22486-080160,,,"PIN 8X  
16",1,1,,,,,N,,,,,72165330,M30891,72165330,M30891,,,,,,I

Fig. 19 CONTROL EQUIPMENT (CUT OFF LEVER & LOW-HIGH PEDAL)

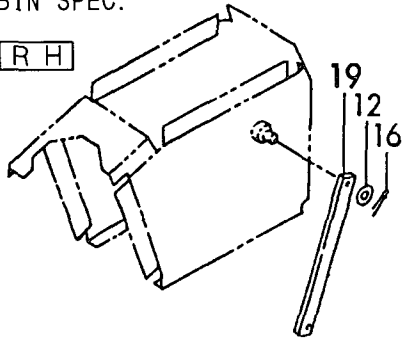
CANOPY SPEC.

[R H]

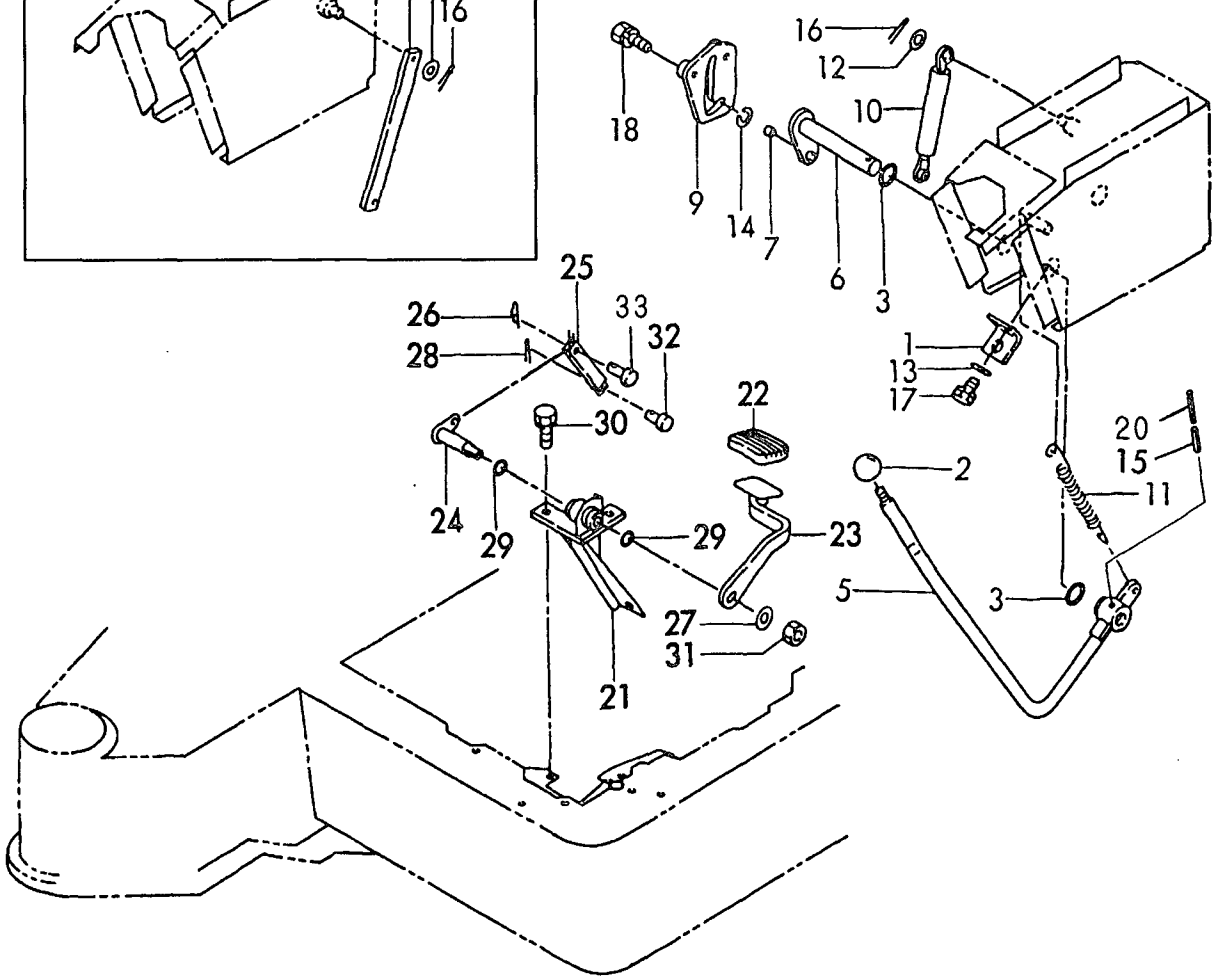


CABIN SPEC.

[R H]

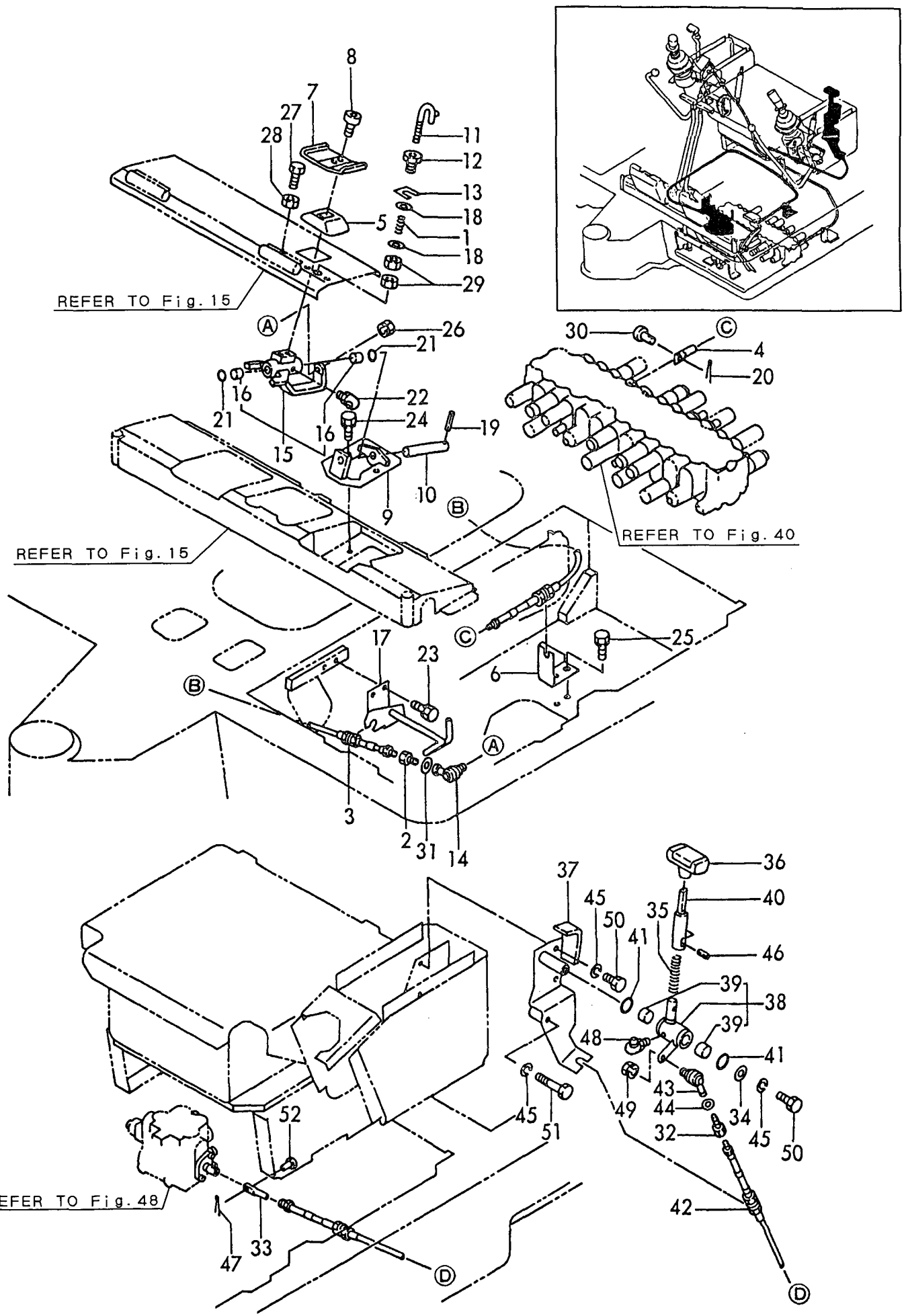


[L H]



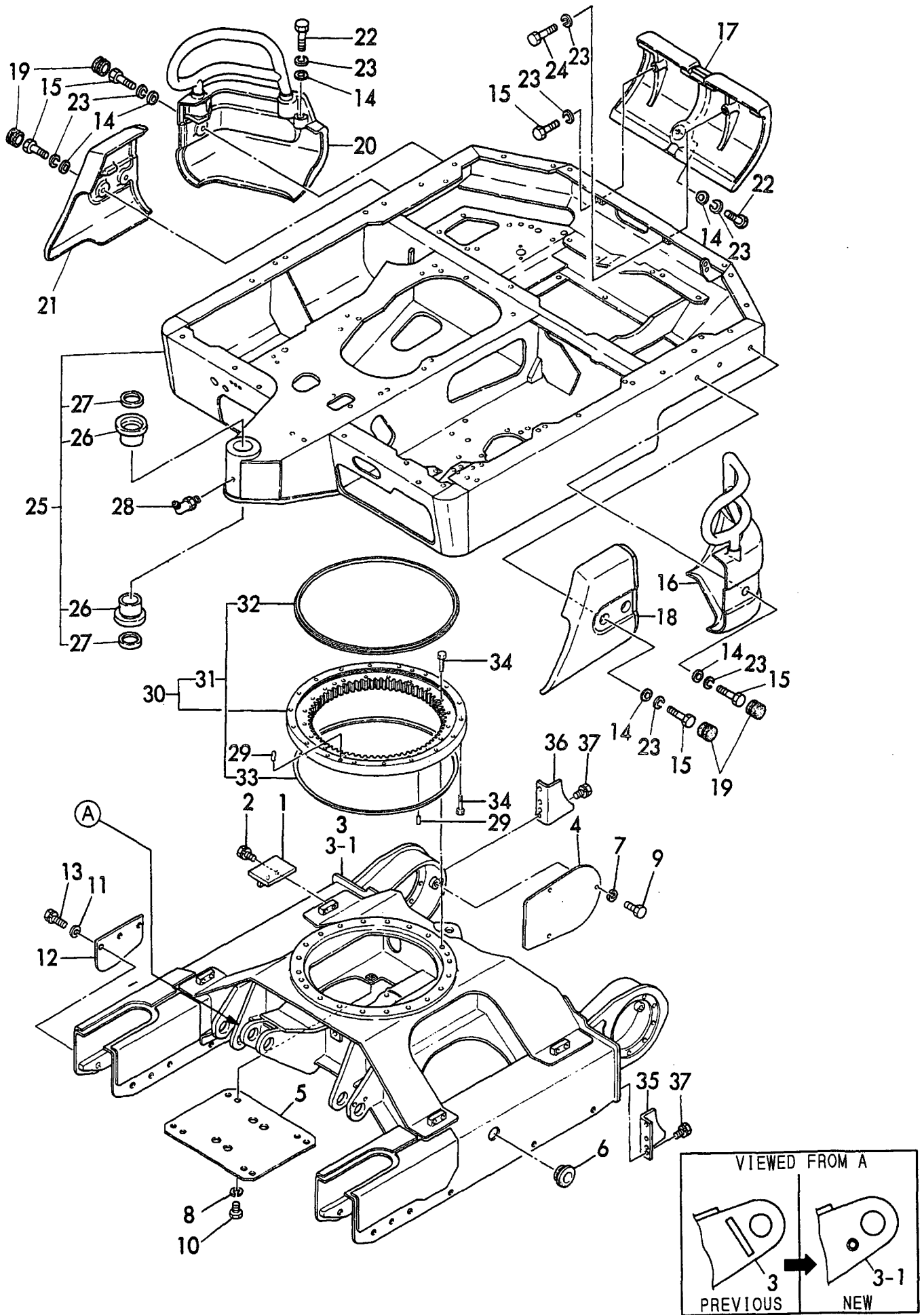
1,1,,1C6141-35370,, "SPRING, LOCK",1,1,,,,,,,,,,,,,,,,,,,,,  
2,1,,172141-42960,, "JOINT, CABLE",1,1,,,,,,,,,,,,,,,,,,,,,  
3,1,,172151-45650,, "CABLE",1,1,,,,,,,,,,,,,,,,,,,,,  
4,1,,172142-45670,, "ROD, SPOOL",1,1,,,,,,,,,,,,,,,,,,,,,  
5,1,,172157-45990,, "BOOTS, PEDAL",1,1,,,,,,,,,,,,,,,,,,,,,  
6,1,,172168-46250,, "SUPPORT",1,1,,,,,,,,,,,,,,,,,,,,,  
7,1,,172165-46280,, "PEDAL ASSY, SWING",1,1,,,,,,,,,,,,,,,,,,,,,  
7-1,1,,172165-46281,, "PEDAL ASSY,  
SWING",1,1,,,,,R,,72165374,M31066,72165374,M31066,,,,,,,,,,,,,I  
8,1,,172165-46340,, "BOLT",2,2,,,,,,,,,,,,,,,,,,,,,  
9,1,,172165-46350,, "BRACKET, PEDAL",1,1,,,,,,,,,,,,,,,,,,,,,  
10,1,,172146-41910,, "PIN 14-100",1,1,,,,,,,,,,,,,,,,,,,,,  
11,1,,172165-46450,, "LOCK CMP",1,1,,,,,,,,,,,,,,,,,,,,,  
12,1,,172165-46480,, "BOLT",1,1,,,,,,,,,,,,,,,,,,,,,  
13,1,,172165-46490,, "SHIM",5,5,,,,,,,,,,,,,,,,,,,,,  
14,1,,172122-46590,, "ELBALL 8",1,1,,,,,,,,,,,,,,,,,,,,,  
15,1,,172165-46600,, "LINK, PEDAL",1,1,,,,,,,,,,,,,,,,,,,,,  
16,2,,172141-41360,, "BUSH 1415",2,2,,,,,,,,,,,,,,,,,,,,,  
17,1,,172168-46870,, "BRACKET",1,1,,,,,,,,,,,,,,,,,,,,,  
18,1,,22137-080000,, "WASHER 8, POLISHED",2,2,,,,,,,,,,,,,,,,,,,,,  
19,1,,22351-040032,, "SPRING PIN 4X32",1,1,,,,,,,,,,,,,,,,,,,,,  
20,1,,22417-160160,, "COTTER PIN 1.6X16",1,1,,,,,,,,,,,,,,,,,,,,,  
21,1,,24311-000210,, "O-RING 1A P-21.0",2,2,,,,,,,,,,,,,,,,,,,,,  
22,1,,24761-040000,, "NIPPLE B,GREASE",1,1,,,,,,,,,,,,,,,,,,,,,  
22-1,1,,24761-050000,, "NIPPLE  
C,GREASE",1,1,,,,,N,,72165314,M30951,72165314,M30951,,,,,,,,,,,,,I  
23,1,,26013-100162,, "BOLT M10X 16",2,2,,,,,,,,,,,,,,,,,,,,,  
24,1,,26013-100202,, "BOLT W/WASHER M10X20",2,2,,,,,,,,,,,,,,,,,,,,,  
25,1,,26013-100202,, "BOLT W/WASHER M10X20",2,2,,,,,,,,,,,,,,,,,,,,,  
26,1,,26051-080002,, "NUT M 8",1,1,,,,,,,,,,,,,,,,,,,,,  
27,1,,26116-080254,, "BOLT M 8X 25 PLATED",2,2,,,,,,,,,,,,,,,,,,,,,  
27-1,1,,26116-080304,, "BOLT M 8X  
30",2,2,,,,,R,,72165371,M30996,72165371,M30996,,,,,,,,,,,,,I  
28,1,,26716-080002,, "NUT M 8",2,2,,,,,,,,,,,,,,,,,,,,,  
29,1,,26756-080002,, "LOCK NUT M 8 PLATED",2,2,,,,,,,,,,,,,,,,,,,,,  
29-1,1,,26716-080002,, "NUT M  
8",2,2,,,,,R,,72183095,M31274,72183095,M31274,,,,,,,,,,,,,I  
30,1,,933110-54100,, "PIN 4.75X14",1,1,,,,,,,,,,,,,,,,,,,,,  
31,1,,933168-28480,, "WASHER 20X9X3.2",1,1,,,,,,,,,,,,,,,,,,,,,  
32,1,,172141-42960,, "JOINT, CABLE",1,1,,,,,,,,,,,,,,,,,,,,,  
33,1,,172142-45670,, "ROD, SPOOL",1,1,,,,,,,,,,,,,,,,,,,,,  
34,1,,1A1040-45890,, "WASHER 10 36 4.5",1,1,,,,,,,,,,,,,,,,,,,,,  
35,1,,172312-45930,, "SPRING 13X1.2X70",1,1,,,,,,,,,,,,,,,,,,,,,  
36,1,,172116-45940,, "KNOB (C), LEVER",1,1,,,,,,,,,,,,,,,,,,,,,  
37,1,,172168-46100,, "BRACKET",1,1,,,,,,,,,,,,,,,,,,,,,  
38,1,,172168-46160,, "LINK W/BUSH",1,1,,,,,,,,,,,,,,,,,,,,,  
39,2,,172141-41370,, "BUSH 2015",2,2,,,,,,,,,,,,,,,,,,,,,  
40,1,,172168-46190,, "LEVER",1,1,,,,,,,,,,,,,,,,,,,,,  
41,1,,172124-46200,, "O-RING 27X5.7",2,2,,,,,,,,,,,,,,,,,,,,,  
42,1,,172168-46231,, "CABLE, 3RDV",1,1,,,,,,,,,,,,,,,,,,,,,  
43,1,,172122-46590,, "ELBALL 8",1,1,,,,,,,,,,,,,,,,,,,,,  
44,1,,933168-28480,, "WASHER 20X9X3.2",1,1,,,,,,,,,,,,,,,,,,,,,  
45,1,,22217-100000,, "SPRING WASHER 10",4,4,,,,,,,,,,,,,,,,,,,,,  
46,1,,22351-080020,, "SPRING PIN 8X20",1,1,,,,,,,,,,,,,,,,,,,,,  
47,1,,22417-160160,, "COTTER PIN 1.6X16",1,1,,,,,,,,,,,,,,,,,,,,,  
48,1,,24761-050000,, "NIPPLE C,GREASE",1,1,,,,,,,,,,,,,,,,,,,,,  
49,1,,26051-080002,, "NUT M 8",1,1,,,,,,,,,,,,,,,,,,,,,  
50,1,,26116-100202,, "BOLT M10X 20 PLATED",3,3,,,,,,,,,,,,,,,,,,,,,  
51,1,,26116-100602,, "BOLT M10X 60 PLATED",1,1,,,,,,,,,,,,,,,,,,,,,  
52,1,,933110-54100,, "PIN 4.75X14",1,1,,,,,,,,,,,,,,,,,,,,,

Fig. 20 CONTROL EQUIPMENT (P. T. O. CONTROL)



1,1,,172141-37501,,PLATE,4,4,,,,,,,,,,,,,  
2,1,,26013-100302,, "BOLT M10X 30",8,8,,,,,,,,,,,,,  
3,1,,172141-50101,, "FRAME ASSY, LOWER",1,1,,,,,,,,,,,,,  
3-1,1,,172141-50102,, "FRAME ASSY,  
LOWER",1,1,,,,,S,,72171061,M31270,72171061,M31270,,,,,,,,,I  
4,1,,172141-50750,, "COVER, MOTOR",2,2,,,,,,,,,,,,,  
5,1,,172141-50761,, "COVER, UNDER",1,1,,,,,,,,,,,,,  
6,1,,172141-50890,,GROMMET,2,2,,,,,,,,,,,,,  
7,1,,22217-100000,, "SPRING WASHER 10",6,6,,,,,,,,,,,,,  
8,1,,22217-120000,, "WASHER 12,SPRING",4,4,,,,,,,,,,,,,  
9,1,,26116-100202,, "BOLT M10X 20 PLATED",6,6,,,,,,,,,,,,,  
10,1,,26116-120252,, "BOLT M12X 25 PLATED",4,4,,,,,,,,,,,,,  
11,1,,172730-05250,, "WASHER 12",12,12,,,,,,,,,,,,,  
12,1,,172141-50901,, "GUARD, SHOE",4,4,,,,,,,,,,,,,  
13,1,,26013-120452,, "BOLT M12X 45",12,12,,,,,,,,,,,,,  
14,1,,172730-05250,, "WASHER 12",9,9,,,,,,,,,,,,,  
15,1,,172131-37170,, "BOLT M12X 30",7,7,,,,,,,,,,,,,  
16,1,,172168-53300,, "WEIGHT L",1,1,,,,,,,,,,,,,  
17,1,,172171-53310,, "WEIGHT,CENTER",1,1,,,,,,,,,,,,,  
18,1,,172171-53340,, "WEIGHT,SIDE(L)",1,1,,,,,,,,,,,,,  
19,1,,172141-53350,, "GROMMET 26",6,6,,,,,,,,,,,,,  
20,1,,172168-53350,, "WEIGHT R",1,1,,,,,,,,,,,,,  
21,1,,172171-53350,, "WEIGHT,SIDE(R)",1,1,,,,,,,,,,,,,  
22,1,,172168-53450,, "BOLT 12X70",3,3,,,,,,,,,,,,,  
23,1,,22217-120000,, "WASHER 12,SPRING",11,11,,,,,,,,,,,,,  
24,1,,26116-120552,, "BOLT M12X 55 PLATED",1,1,,,,,,,,,,,,,  
25,1,,172171-54100,, "FRAME W/BUSH,TURNING",1,1,,,,,,,,,,,,,  
25-1,1,,172171-54101,, "FRAM,  
LOWER",1,1,,,,,S,,72171042,M30866,72171042,M30866,,,,,,,,,I  
26,2,,172171-54750,, "BUSH 50X65",2,2,,,,,,,,,,,,,  
27,2,,172165-81760,, "SEAL 50X60X4, DUST",2,2,,,,,,,,,,,,,  
28,1,,24761-040000,, "NIPPLE B,GREASE",1,1,,,,,,,,,,,,,  
29,1,,194940-24350,, "PIN 10X28,STRAIGHT",4,4,,,,,,,,,,,,,  
30,1,,172141-57600,, "BEARING, SWING",1,1,,,,,,,,,,,,,  
30-1,1,,172141-57601,, "BEARING,  
SWING",1,1,,,,,R,,72168168,M31450,72168168,M31450,,,,,,,,,I  
31,2,,172141-57610,, "SEAL KIT",1,1,,,,,,,,,,,,,  
32,3,,172141-57620,, "SEAL, UPPER",1,1,,,,,,,,,,,,,  
33,3,,172141-57630,, "SEAL,LOWER",1,1,,,,,,,,,,,,,  
34,1,,172141-57650,, "BOLT M12X 55 PLATED",38,38,,,,,,,,,,,,,  
35,1,,172122-50852,, "GUARD(L), SPROCKET",1,1,,,,,,,,,,,,,  
36,1,,172122-50862,, "GUARD(R), SPROCKET",1,1,,,,,,,,,,,,,  
37,1,,26013-120252,, "BOLT M12X 25",6,6,,,,,,,,,,,,,

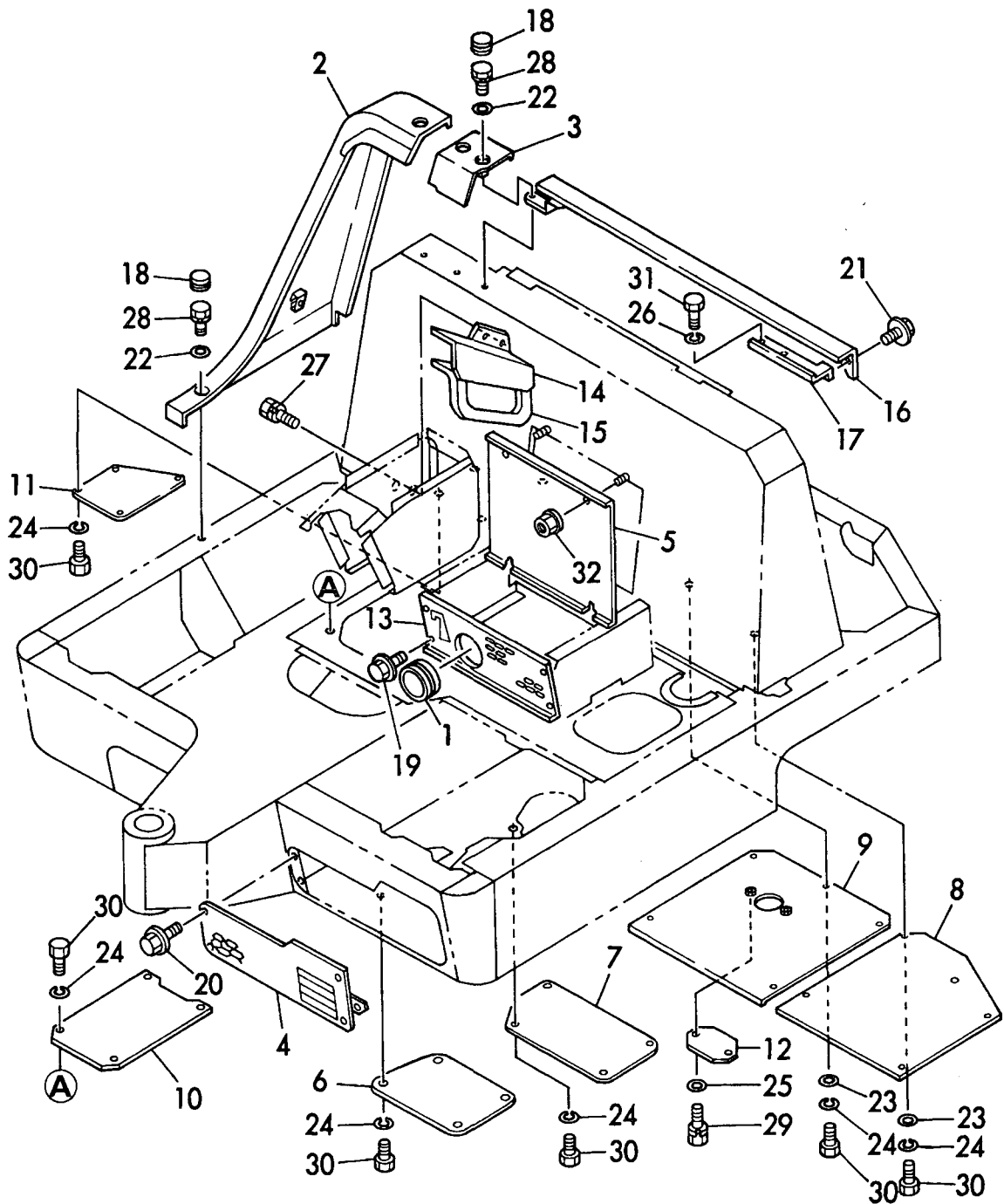
Fig. 21 FRAME & TURNING BEARING





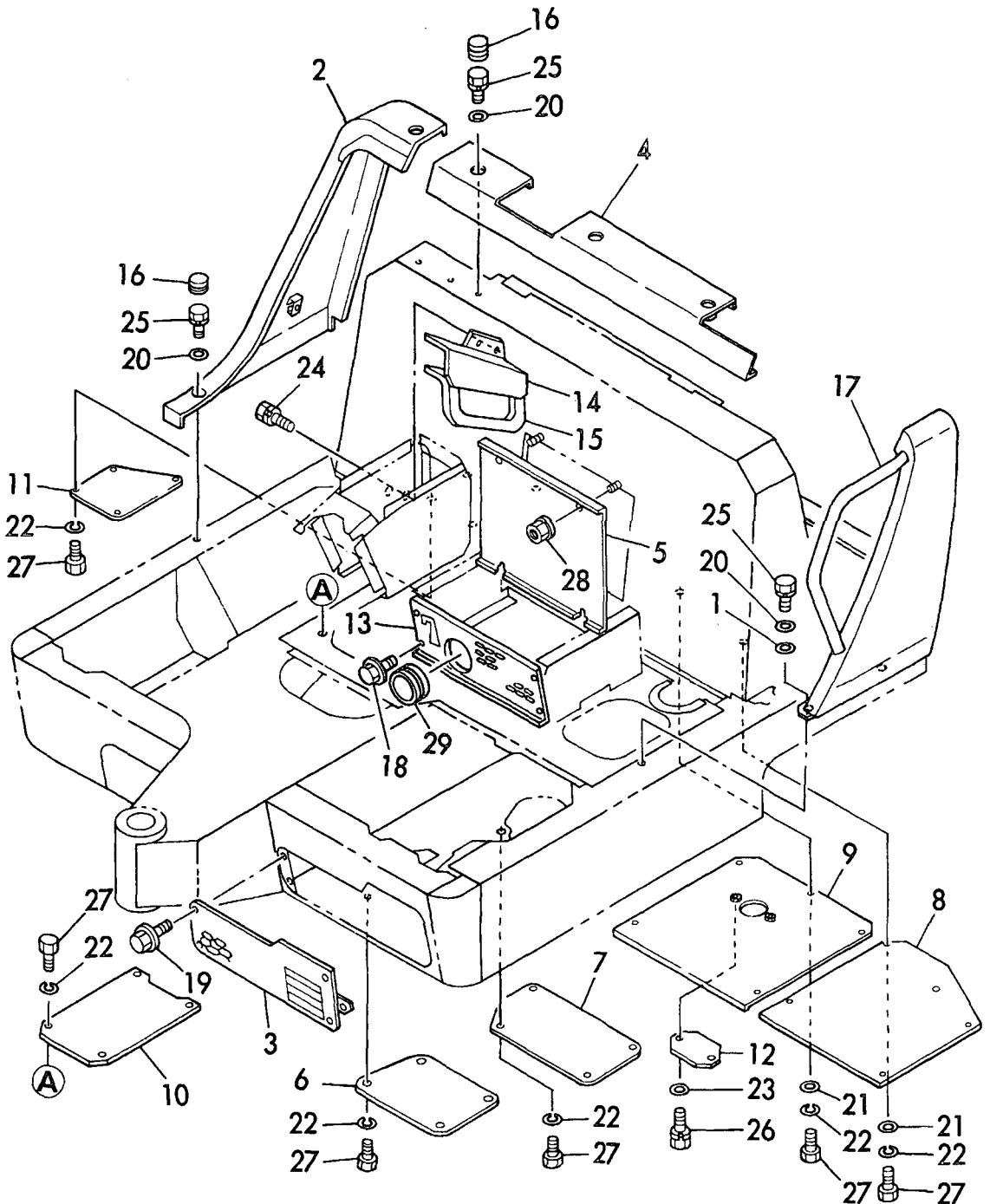
1,1,,172732-11510,,GROMMET,1,,,,,,,,,,,,,  
2,1,,172165-61190,,COVER(R),1,,,,,,,,,,,,,  
3,1,,172171-61300,,COVER(A),1,,,,,,,,,,,,,  
4,1,,172168-61350,,COVER,1,,,,,,,,,,,,,  
5,1,,172165-61450,,COVER,1,,,,,,,,,,,,,  
6,1,,172168-61500,,PLATE;A,1,,,,,,,,,,,,,  
7,1,,172168-61510,, "PLATE (B",1,,,,,,,,,,,,,  
8,1,,172171-61520,, "PLATE,C",1,,,,,,,,,,,,,  
9,1,,172171-61530,, "PLATE D COMPL.",1,,,,,,,,,,,,,  
10,1,,172168-61550,, "PLATE F",1,,,,,,,,,,,,,  
11,1,,172171-61550,, "PLATE E",1,,,,,,,,,,,,,  
12,1,,172168-61560,, "PLATE G",1,,,,,,,,,,,,,  
13,1,,172165-61650,, "COVER, FRONT",1,,,,,,,,,,,,,  
14,1,,172165-61700,, "COVER ASSY, BL LINK",1,,,,,,,,,,,,,  
15,1,,172165-61720,,RUBBER,1,,,,,,,,,,,,,  
16,1,,172165-61740,,COVER,1,,,,,,,,,,,,,  
17,1,,172165-61780,, "BRACKET ASSY",1,,,,,,,,,,,,,  
18,1,,172165-61801,,PLUG,5,,,,,,,,,,,,,  
19,1,,172519-63240,, "BOLT 8X 16",4,,,,,,,,,,,,,  
20,1,,172519-63240,, "BOLT 8X 16",4,,,,,,,,,,,,,  
21,1,,172519-63240,, "BOLT 8X 16",1,,,,,,,,,,,,,  
22,1,,22137-100000,, "WASHER 10,POLISHED",5,,,,,,,,,,,,,  
23,1,,22137-100000,, "WASHER 10,POLISHED",9,,,,,,,,,,,,,  
24,1,,22217-100000,, "SPRING WASHER 10",25,,,,,,,,,,,,,  
25,1,,22217-100000,, "SPRING WASHER 10",2,,,,,,,,,,,,,  
26,1,,22217-140000,, "SPRING WASHER 14",2,,,,,,,,,,,,,  
27,1,,26013-080162,, "BOLT W/WASHER M8X16",2,,,,,,,,,,,,,  
28,1,,26013-100352,, "BOLT M10X 35",5,,,,,,,,,,,,,  
29,1,,26116-100162,, "BOLT M10X 16 PLATED",2,,,,,,,,,,,,,  
30,1,,26116-100202,, "BOLT M10X 20 PLATED",25,,,,,,,,,,,,,  
31,1,,26116-140352,, "BOLT M14X 35 PLATED",2,,,,,,,,,,,,,  
32,1,,26367-100002,, "U-NUT M10",4,,,,,,,,,,,,,

Fig. 22 FRAME COVER (CABIN)



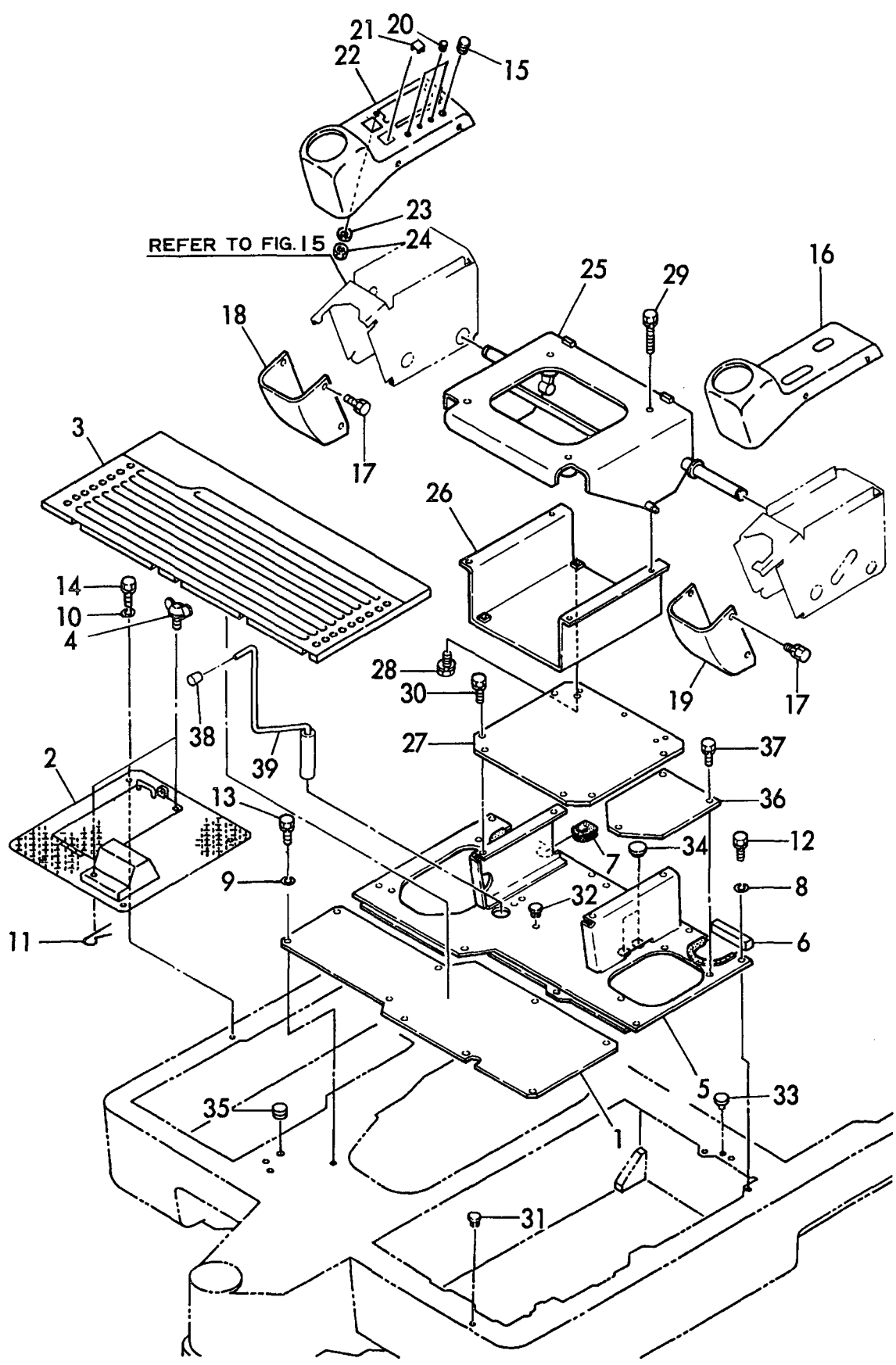
1,1,,194145-04810,, "WASHER 10",,3,,,,,,,,,,,,,,,,,,,,,,,,,,,,,  
2,1,,172165-61190,,COVER(R),,1,,,,,,,,,,,,,,,,,,,,,,,,,,,,,  
3,1,,172168-61350,,COVER,,1,,,,,,,,,,,,,,,,,,,,,,,,,,,,,  
4,1,,172171-61400,,COVER(B),,1,,,,,,,,,,,,,,,,,,,,,,,,,,,,,  
5,1,,172165-61450,,COVER,,1,,,,,,,,,,,,,,,,,,,,,,,,,,,,,  
6,1,,172168-61500,,PLATE;A,,1,,,,,,,,,,,,,,,,,,,,,,,,,,,,,  
7,1,,172168-61510,, "PLATE (B",,1,,,,,,,,,,,,,,,,,,,,,,,,,,,,,  
8,1,,172171-61520,, "PLATE,C",,1,,,,,,,,,,,,,,,,,,,,,,,,,,,,,  
9,1,,172171-61530,, "PLATE D COMPL.",,1,,,,,,,,,,,,,,,,,,,,,,,,,,,,,  
10,1,,172168-61550,, "PLATE F",,1,,,,,,,,,,,,,,,,,,,,,,,,,,,,,  
11,1,,172171-61550,, "PLATE E",,1,,,,,,,,,,,,,,,,,,,,,,,,,,,,,  
12,1,,172168-61560,, "PLATE G",,1,,,,,,,,,,,,,,,,,,,,,,,,,,,,,  
13,1,,172165-61650,, "COVER, FRONT",,1,,,,,,,,,,,,,,,,,,,,,,,,,,,,,  
14,1,,172165-61700,, "COVER ASSY, BL LINK",,1,,,,,,,,,,,,,,,,,,,,,,,,,,,,,  
15,1,,172165-61720,,RUBBER,,1,,,,,,,,,,,,,,,,,,,,,,,,,,,,,  
16,1,,172165-61801,,PLUG,,6,,,,,,,,,,,,,,,,,,,,,,,,,,,,,  
17,1,,172165-61820,, "COVER L COMP.,SI",,1,,,,,,,,,,,,,,,,,,,,,,,,,,,,,  
18,1,,172519-63240,, "BOLT 8X 16",,4,,,,,,,,,,,,,,,,,,,,,,,,,,,,,  
19,1,,172519-63240,, "BOLT 8X 16",,4,,,,,,,,,,,,,,,,,,,,,,,,,,,,,  
20,1,,22137-100000,, "WASHER 10,POLISHED",,9,,,,,,,,,,,,,,,,,,,,,,,,,,,,,  
21,1,,22137-100000,, "WASHER 10,POLISHED",,9,,,,,,,,,,,,,,,,,,,,,,,,,,,,,  
22,1,,22217-100000,, "SPRING WASHER 10",,25,,,,,,,,,,,,,,,,,,,,,,,,,,,,,  
23,1,,22217-100000,, "SPRING WASHER 10",,2,,,,,,,,,,,,,,,,,,,,,,,,,,,,,  
24,1,,26013-080162,, "BOLT W/WASHER M8X16",,2,,,,,,,,,,,,,,,,,,,,,,,,,,,,,  
25,1,,26013-100352,, "BOLT M10X 35",,9,,,,,,,,,,,,,,,,,,,,,,,,,,,,,  
26,1,,26116-100162,, "BOLT M10X 16 PLATED",,2,,,,,,,,,,,,,,,,,,,,,,,,,,,,,  
27,1,,26116-100202,, "BOLT M10X 20 PLATED",,25,,,,,,,,,,,,,,,,,,,,,,,,,,,,,  
28,1,,26367-100002,, "U-NUT M10",,4,,,,,,,,,,,,,,,,,,,,,,,,,,,,,  
29,1,,172732-11510,,GROMMET,,1,,,,,,,,,,,,,,,,,,,,,,,,,,,,,

Fig. 23 FRAME COVER (CANOPY)



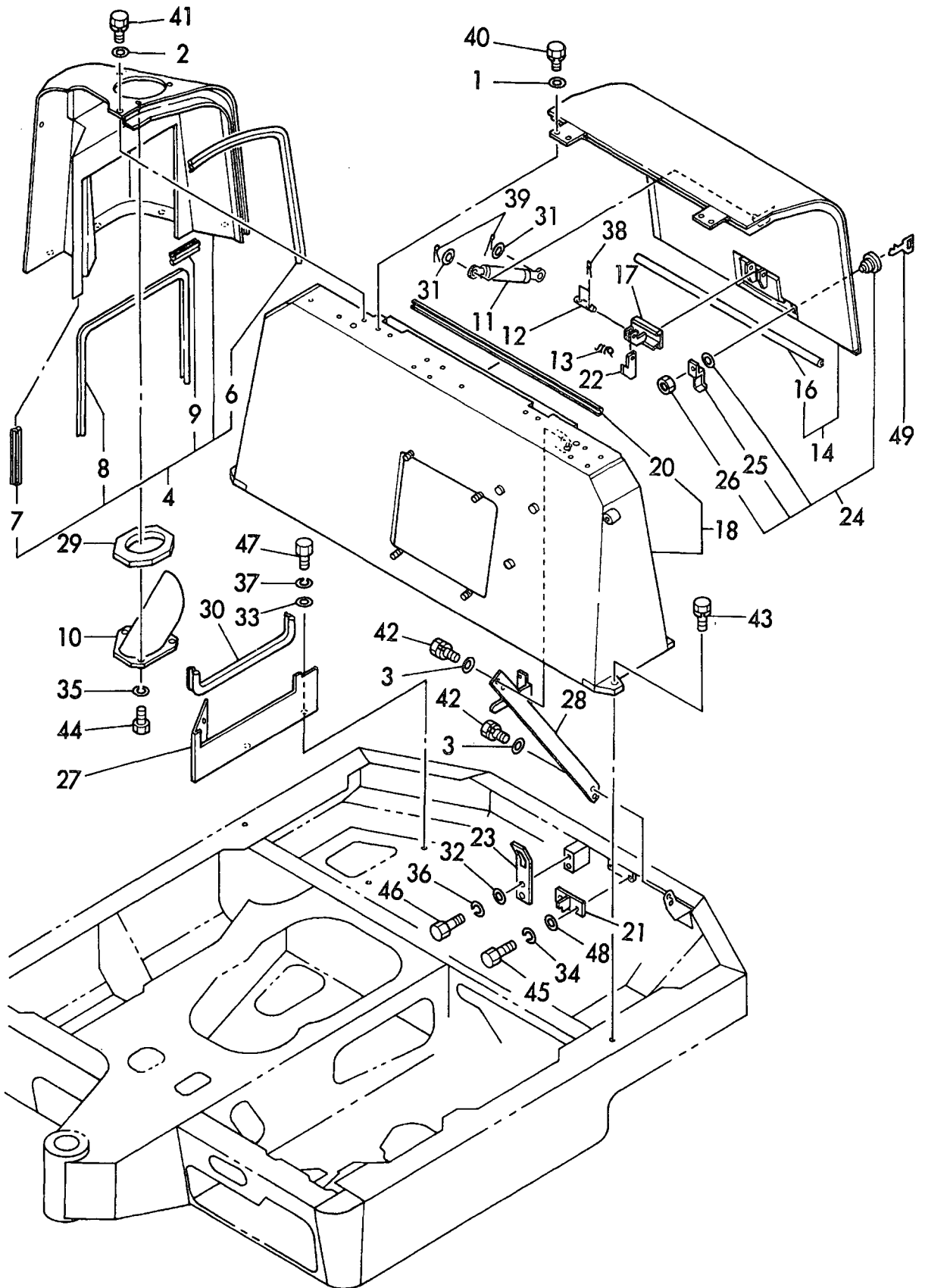
1,1,,172165-62100,,STEP,1,1,,,,,,,,,,,,,,,,,,,,,  
2,1,,172171-62150,,,"STEP ASSY",1,1,,,,,,,,,,,,,,,,,,,,,  
3,1,,172168-62200,,,"MAT, FLOOR",1,1,,,,,,,,,,,,,,,,,,,,,  
4,1,,172142-62300,,,"WING BOLT M10X15",2,2,,,,,,,,,,,,,,,,,,,,,  
5,1,,172165-62600,,,"STEP C COMP.,SI",1,1,,,,,,,,,,,,,,,,,,,,,  
6,1,,172165-62630,,,"RUBBER 90,EDGE",1,1,,,,,,,,,,,,,,,,,,,,,  
7,1,,172165-62800,,,"GROMMET 26",1,1,,,,,,,,,,,,,,,,,,,,,  
8,1,,22217-100000,,,"SPRING WASHER 10",7,7,,,,,,,,,,,,,,,,,,,,,  
9,1,,22217-100000,,,"SPRING WASHER 10",9,9,,,,,,,,,,,,,,,,,,,,,  
10,1,,22217-100000,,,"SPRING WASHER 10",4,4,,,,,,,,,,,,,,,,,,,,,  
11,1,,22417-320200,,,"COTTER PIN 3.2X20",2,2,,,,,,,,,,,,,,,,,,,,,  
12,1,,26116-100202,,,"BOLT M10X 20 PLATED",7,7,,,,,,,,,,,,,,,,,,,,,  
13,1,,26116-100202,,,"BOLT M10X 20 PLATED",9,9,,,,,,,,,,,,,,,,,,,,,  
14,1,,26116-100202,,,"BOLT M10X 20 PLATED",4,4,,,,,,,,,,,,,,,,,,,,,  
15,1,,194300-21460,,CAP,1,1,,,,,,,,,,,,,,,,,,,,,  
16,1,,172168-63100,,,"PANEL(L),INST(EP",1,1,,,,,,,,,,,,,,,,,,,,,  
17,1,,172519-63240,,,"BOLT 8X 16",16,16,,,,,,,,,,,,,,,,,,,,,  
18,1,,172165-63600,,,"COVER (R)",1,1,,,,,,,,,,,,,,,,,,,,,  
19,1,,172165-63620,,,"COVER (L)",1,1,,,,,,,,,,,,,,,,,,,,,  
20,1,,172165-63650,,,"PLUG 10,HOLE",3,3,,,,,,,,,,,,,,,,,,,,,  
21,1,,172165-63660,,CAP,1,1,,,,,,,,,,,,,,,,,,,,,  
22,1,,172165-63700,,,"PANEL(R),INST(EP",1,1,,,,,,,,,,,,,,,,,,,,,  
23,1,,22137-040000,,,"WASHER 4, POLISHED",4,4,,,,,,,,,,,,,,,,,,,,,  
24,1,,26716-040002,,,"NUT M 4",4,4,,,,,,,,,,,,,,,,,,,,,  
25,1,,172165-64300,,MOUNT,1,1,,,,,,,,,,,,,,,,,,,,,  
26,1,,172165-64360,,,"MOUNT B COMP.,EP",1,1,,,,,,,,,,,,,,,,,,,,,  
27,1,,172165-64390,,MOUNT,1,1,,,,,,,,,,,,,,,,,,,,,  
28,1,,26013-080202,,,"BOLT W/WASHER M8X20",4,4,,,,,,,,,,,,,,,,,,,,,  
29,1,,26013-080552,,,"BOLT M 8X 55",4,4,,,,,,,,,,,,,,,,,,,,,  
30,1,,26013-100202,,,"BOLT W/WASHER M10X20",4,4,,,,,,,,,,,,,,,,,,,,,  
31,1,,172122-17190,,CLIP,,5,,,,,,,,,,,,,,,,,,,,,  
32,1,,172122-17190,,CLIP,,4,,,,,,,,,,,,,,,,,,,,,  
33,1,,172157-54850,,,"GROMMET 18",,1,,,,,,,,,,,,,,,,,,,,,  
34,1,,172151-62240,,GROMMET,,2,,,,,,,,,,,,,,,,,,,,,  
35,1,,172165-68250,,,"PLUG,RUBBER",,1,,,,,,,,,,,,,,,,,,,,,  
36,1,,172165-62300,,,"STEP D",1,1,,,,,,,,,,,,,,,,,,,,,  
37,1,,26013-100202,,,"BOLT W/WASHER M10X20",3,3,,,,,,,,,,,,,,,,,,,,,  
38,1,,172116-46630,,,"KNOB, LOCK LEVER",1,1,,,,,,,,,,,,,,,,,,,,,  
39,1,,172171-58800,,,"PIN, LOCK",1,1,,,,,,,,,,,,,,,,,,,,,

Fig. 24 SEAT MOUNT & STEP



1,1,,194145-04810,, "WASHER 10",4,4,,,,,,,,,,,,,,,,,,,,,  
2,1,,194145-04810,, "WASHER 10",6,6,,,,,,,,,,,,,,,,,,,,,  
3,1,,194145-04810,, "WASHER 10",4,4,,,,,,,,,,,,,,,,,,,,,  
4,1,,172171-65100,, "BONNET CR CMP(EV",1,1,,,,,,,,,,,,,,,,,,,,,  
6,2,,172171-65780,, "RUBBER,SEAL C",1,1,,,,,,,,,,,,,,,,,,,,,  
7,2,,172168-65790,, RUBBER,1,1,,,,,,,,,,,,,,,,,,,,,  
8,2,,172171-65820,, "RUBBER,SEAL D",1,1,,,,,,,,,,,,,,,,,,,,,  
9,2,,172171-65850,, "RUBBER,SEAL K",1,1,,,,,,,,,,,,,,,,,,,,,  
10,1,,172168-65200,, "PIPE, EXH.EXTENSION",1,1,,,,,,,,,,,,,,,,,,,,,  
11,1,,172168-65260,, "SPRING,GAS",1,1,,,,,,,,,,,,,,,,,,,,,  
12,1,,172734-65260,, "PIN, BONNET LEVER",1,1,,,,,,,,,,,,,,,,,,,,,  
13,1,,172734-65270,, "SPRING, CATCH",1,1,,,,,,,,,,,,,,,,,,,,,  
14,1,,172171-65300,, "BONNET B CMP(EV",1,1,,,,,,,,,,,,,,,,,,,,,  
16,2,,172168-65760,, RUBBER,1,1,,,,,,,,,,,,,,,,,,,,,  
17,1,,172124-65450,, "LEVER, LOCK",1,1,,,,,,,,,,,,,,,,,,,,,  
18,1,,172171-65450,, "BONNET A CMP(EV",1,1,,,,,,,,,,,,,,,,,,,,,  
20,2,,172168-65750,, RUBBER,1,1,,,,,,,,,,,,,,,,,,,,,  
21,1,,172126-65460,, HOOK,1,1,,,,,,,,,,,,,,,,,,,,,  
22,1,,172124-65480,, CATCHER,1,1,,,,,,,,,,,,,,,,,,,,,  
23,1,,172124-65490,, "PLATE,CATCH",1,1,,,,,,,,,,,,,,,,,,,,,  
24,1,,172126-65500,, KEY,1,1,,,,,,,,,,,,,,,,,,,,,  
25,2,,172126-65571,, "WASHER LOCK",1,1,,,,,,,,,,,,,,,,,,,,,  
26,2,,26347-100002,, "U-NUT M10",1,1,,,,,,,,,,,,,,,,,,,,,  
27,1,,172171-65600,, "DUCT ASSY",1,1,,,,,,,,,,,,,,,,,,,,,  
27-1,1,,172171-65601,, "DUCT  
ASSY",1,1,,,,,N,72171042,M30866,72171042,M30866,,,,,,,,,,,,,I  
28,1,,172171-65650,, "BRACKET COMPL.",1,1,,,,,,,,,,,,,,,,,,,,,  
29,1,,172168-65740,, SEAL,1,1,,,,,,,,,,,,,,,,,,,,,  
30,1,,172171-65830,, "RUBBER,SEAL E",1,1,,,,,,,,,,,,,,,,,,,,,  
31,1,,22137-080000,, "WASHER 8, POLISHED",2,2,,,,,,,,,,,,,,,,,,,,,  
32,1,,22137-100000,, "WASHER 10,POLISHED",2,2,,,,,,,,,,,,,,,,,,,,,  
33,1,,22137-100000,, "WASHER 10,POLISHED",3,3,,,,,,,,,,,,,,,,,,,,,  
34,1,,22217-080000,, "SPRING WASHER 8",2,2,,,,,,,,,,,,,,,,,,,,,  
35,1,,22217-080000,, "SPRING WASHER 8",3,3,,,,,,,,,,,,,,,,,,,,,  
36,1,,22217-100000,, "SPRING WASHER 10",2,2,,,,,,,,,,,,,,,,,,,,,  
37,1,,22217-100000,, "SPRING WASHER 10",3,3,,,,,,,,,,,,,,,,,,,,,  
38,1,,22417-200200,, "COTTER PIN 2.0X20",2,2,,,,,,,,,,,,,,,,,,,,,  
39,1,,22417-200200,, "COTTER PIN 2.0X20",2,2,,,,,,,,,,,,,,,,,,,,,  
40,1,,26013-100252,, "BOLT W/WASHER M10X25",4,4,,,,,,,,,,,,,,,,,,,,,  
41,1,,26013-100252,, "BOLT W/WASHER M10X25",6,6,,,,,,,,,,,,,,,,,,,,,  
42,1,,26013-100252,, "BOLT W/WASHER M10X25",4,4,,,,,,,,,,,,,,,,,,,,,  
43,1,,26013-120352,, "BOLT M12X 35",5,5,,,,,,,,,,,,,,,,,,,,,  
44,1,,26116-080162,, "BOLT M 8X 16 PLATED",3,3,,,,,,,,,,,,,,,,,,,,,  
45,1,,26116-080202,, "BOLT M 8X 20 PLATED",2,2,,,,,,,,,,,,,,,,,,,,,  
46,1,,26116-100202,, "BOLT M10X 20 PLATED",2,2,,,,,,,,,,,,,,,,,,,,,  
47,1,,26116-100202,, "BOLT M10X 20 PLATED",3,3,,,,,,,,,,,,,,,,,,,,,  
48,1,,933152-02900,, WASHER,2,2,,,,,,,,,,,,,,,,,,,,,  
49,1,,933110-00301,, "KEY ASSY",1,1,,,,,,,,,,,,,,,,,,,,,

Fig. 25 BONNET



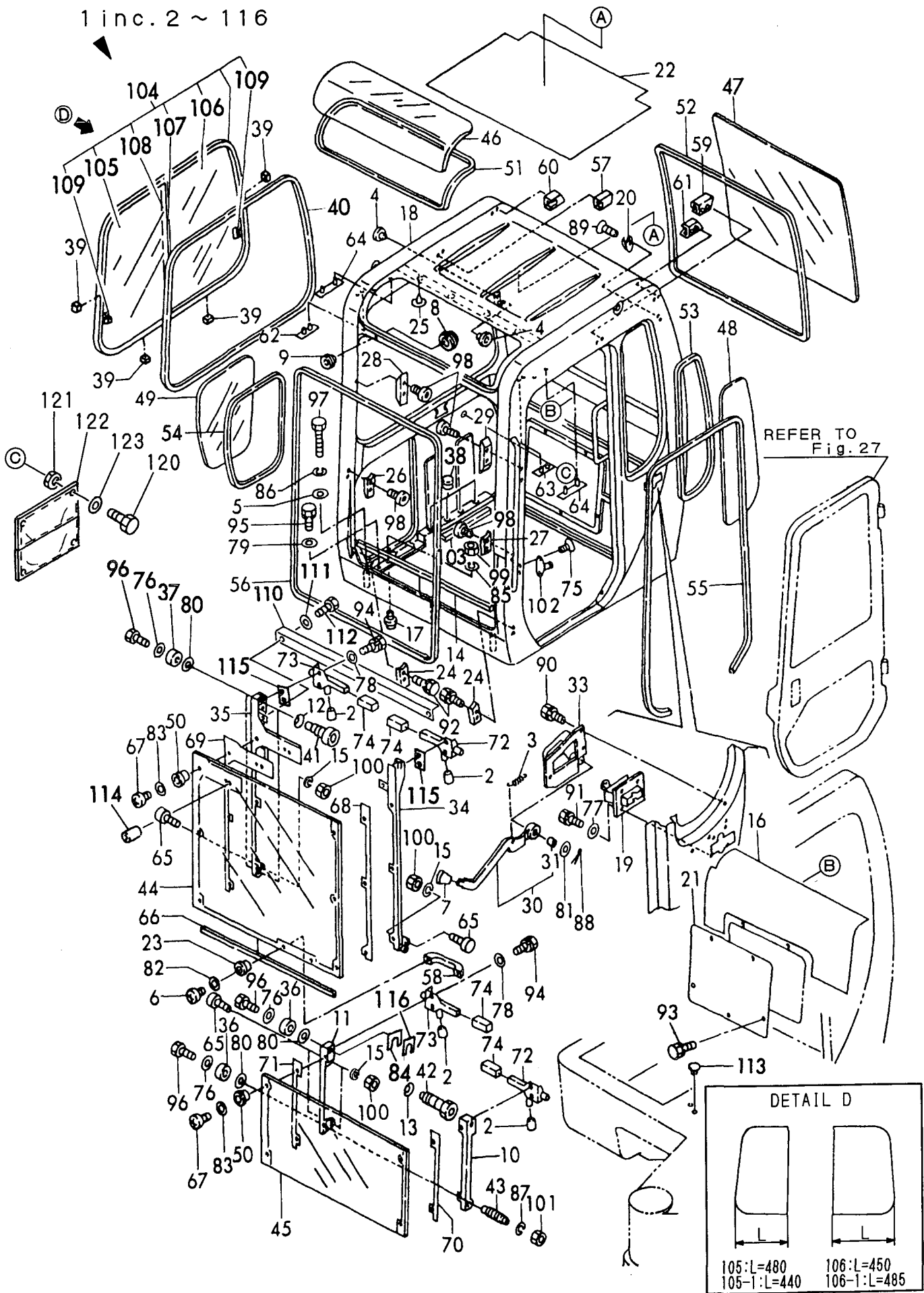


1,1,,772165-68410,, "CABIN ASSY",1,,,,,,,,,,,,,,,,,,,,,  
1-1,1,,772165-68411,, "CABIN ASSY",1,,,,,,N,,72165340,M30866,,,,,,,,,,,,,I  
2,2,,194080-01121,, "KNOB 8X17X30",4,,,,,,,,,,,,,,,,,,,,,  
3,2,,172725-23050,, "SPRING, RETURN",1,,,,,,,,,,,,,,,,,,,,,  
4,2,,194150-24270,, "SCREW CAP 13",2,,,,,,,,,,,,,,,,,,,,,  
5,2,,194145-04810,, "WASHER 10",3,,,,,,,,,,,,,,,,,,,,,  
6,2,,172137-46210,, SCREW,2,,,,,,,,,,,,,,,,,,,,,  
7,2,,194273-47910,, KNOB,1,,,,,,,,,,,,,,,,,,,,,  
8,2,,172141-53350,, "GROMMET 26",1,,,,,,,,,,,,,,,,,,,,,  
9,2,,194310-61610,, "GROMMET 9",1,,,,,,,,,,,,,,,,,,,,,  
10,2,,172165-67100,, "FRAME UNL ASSY, GLASS",1,,,,,,,,,,,,,,,,,,,,,  
11,2,,172165-67170,, "FRAME UNR ASSY, GLASS",1,,,,,,,,,,,,,,,,,,,,,  
12,2,,172165-67240,, "SPRING 16",4,,,,,,,,,,,,,,,,,,,,,  
13,2,,172165-67250,, "SPRING, DISH",2,,,,,,,,,,,,,,,,,,,,,  
14,2,,172165-67350,, SEAL,1,,,,,,,,,,,,,,,,,,,,,  
15,2,,22217-080000,, "SPRING WASHER 8",3,,,,,,,,,,,,,,,,,,,,,  
16,2,,172165-67370,, "TRIM, REAR",1,,,,,,,,,,,,,,,,,,,,,  
17,2,,172137-68120,, PIN,2,,,,,,,,,,,,,,,,,,,,,  
18,2,,172165-67400,, CABIN,1,,,,,,,,,,,,,,,,,,,,,  
19,2,,172162-69050,, "LOCK ASSY",1,,,,,,,,,,,,,,,,,,,,,  
20,2,,172162-69070,, COATHANGER,1,,,,,,,,,,,,,,,,,,,,,  
21,2,,172165-69090,, COVER,1,,,,,,,,,,,,,,,,,,,,,  
22,2,,172165-69170,, "TRIM, ROOM",1,,,,,,,,,,,,,,,,,,,,,  
23,2,,172165-69180,, "COLLAR 6, GLASS",2,,,,,,,,,,,,,,,,,,,,,  
24,2,,172165-69200,, "STOPPER R-UN",2,,,,,,,,,,,,,,,,,,,,,  
25,2,,172141-68270,, "CLIP 8, TREE",4,,,,,,,,,,,,,,,,,,,,,  
26,2,,172165-69220,, STOPPER,1,,,,,,,,,,,,,,,,,,,,,  
27,2,,172165-69230,, "STOPPER L-UP",1,,,,,,,,,,,,,,,,,,,,,  
28,2,,172165-69240,, COVER,1,,,,,,,,,,,,,,,,,,,,,  
29,2,,172165-69250,, "COVER L-UP",1,,,,,,,,,,,,,,,,,,,,,  
30,2,,172165-69260,, LEVER,1,,,,,,,,,,,,,,,,,,,,,  
31,3,,172141-41360,, "BUSH 1415",1,,,,,,,,,,,,,,,,,,,,,  
33,2,,172165-69290,, BRACKET,1,,,,,,,,,,,,,,,,,,,,,  
34,2,,172165-69320,, "FRAME UPL, GLASS",1,,,,,,,,,,,,,,,,,,,,,  
35,2,,172165-69410,, FRAME,1,,,,,,,,,,,,,,,,,,,,,  
36,2,,172165-69500,, "ROLLER 35",4,,,,,,,,,,,,,,,,,,,,,  
37,2,,172165-69510,, ROLLER,4,,,,,,,,,,,,,,,,,,,,,  
38,2,,172151-62240,, GROMMET,4,,,,,,,,,,,,,,,,,,,,,  
39,2,,172165-69530,, SPACER,6,,,,,,,,,,,,,,,,,,,,,  
40,2,,172165-69540,, FINISHER,1,,,,,,,,,,,,,,,,,,,,,  
41,2,,172165-69550,, SHAFT,4,,,,,,,,,,,,,,,,,,,,,  
42,2,,172165-69560,, "SHAFT 14, ROLLER",2,,,,,,,,,,,,,,,,,,,,,  
43,2,,172165-69570,, SHAFT,2,,,,,,,,,,,,,,,,,,,,,  
44,2,,172165-69580,, GLASS(UP,1,,,,,,,,,,,,,,,,,,,,,  
45,2,,172165-69590,, GLASS,1,,,,,,,,,,,,,,,,,,,,,  
46,2,,172165-69600,, "ACRYL F",1,,,,,,,,,,,,,,,,,,,,,  
47,2,,172165-69610,, GLASS,1,,,,,,,,,,,,,,,,,,,,,  
48,2,,172165-69620,, "GLASS L",1,,,,,,,,,,,,,,,,,,,,,  
49,2,,172165-69630,, GLASS,1,,,,,,,,,,,,,,,,,,,,,  
50,2,,172137-69651,, "COLLAR, GLASS",10,,,,,,,,,,,,,,,,,,,,,  
51,2,,172165-69661,, "SEAL, CAB ROOF",1,,,,,,,,,,,,,,,,,,,,,  
52,2,,172165-69671,, SEAL,1,,,,,,,,,,,,,,,,,,,,,  
53,2,,172165-69681,, SEAL,1,,,,,,,,,,,,,,,,,,,,,  
54,2,,172165-69691,, SEAL,1,,,,,,,,,,,,,,,,,,,,,  
55,2,,172165-69720,, "SEAL, DOOR",1,,,,,,,,,,,,,,,,,,,,,  
56,2,,172165-69731,, "SEAL, FRONT",1,,,,,,,,,,,,,,,,,,,,,  
57,2,,172165-69740,, "RUBBER UN-R, STOPPER",1,,,,,,,,,,,,,,,,,,,,,  
58,2,,172162-69750,, HANDLE,1,,,,,,,,,,,,,,,,,,,,,  
59,2,,172165-69750,, RUBBER,1,,,,,,,,,,,,,,,,,,,,,  
60,2,,172165-69760,, "RUBBER UP-R, STOPPER",1,,,,,,,,,,,,,,,,,,,,,  
61,2,,172165-69770,, RUBBER,1,,,,,,,,,,,,,,,,,,,,,  
62,2,,172165-69780,, "RUBBER UP-R, CUSHION",1,,,,,,,,,,,,,,,,,,,,,  
63,2,,172165-69790,, RUBBER,1,,,,,,,,,,,,,,,,,,,,,

64,2,,172165-69800,, "RUBBER UN,CUSHION",2,,,,,,,,,,,,,  
65,2,,172165-69811,, RUBBER,3,,,,,,,,,,,,,  
66,2,,172165-69830,, "SEAL,FRONT",1,,,,,,,,,,,,,  
67,2,,172137-69840,, SCREW,10,,,,,,,,,,,,,  
68,2,,172165-69840,, PACKING,1,,,,,,,,,,,,,  
69,2,,172165-69850,, "PACKING UP-R",1,,,,,,,,,,,,,  
70,2,,172165-69860,, "PACKING UN-L",1,,,,,,,,,,,,,  
71,2,,172165-69870,, "PACKING UN-R",1,,,,,,,,,,,,,  
72,2,,172165-69890,, "LATCH L ASSY",2,,,,,,,,,,,,,  
73,2,,172165-69960,, "LATCH R ASSY",2,,,,,,,,,,,,,  
74,2,,172165-69980,, GUARD,4,,,,,,,,,,,,,  
75,2,,26577-080122,, "SCREW M 8X 12",2,,,,,,,,,,,,,  
76,2,,22137-060000,, "WASHER 6, POLISHED",9,,,,,,,,,,,,,  
77,2,,22137-080000,, "WASHER 8, POLISHED",4,,,,,,,,,,,,,  
78,2,,22137-100000,, "WASHER 10,POLISHED",8,,,,,,,,,,,,,  
79,2,,22137-100000,, "WASHER 10,POLISHED",7,,,,,,,,,,,,,  
80,2,,22137-100000,, "WASHER 10,POLISHED",8,,,,,,,,,,,,,  
81,2,,22137-140000,, "WASHER 14,POLISHED",1,,,,,,,,,,,,,  
82,2,,22157-060000,, "WASHER 6",2,,,,,,,,,,,,,  
83,2,,22157-080000,, "WASHER 8",10,,,,,,,,,,,,,  
84,2,,172165-67380,, SHIM,2,,,,,,,,,,,,,  
85,2,,22217-100000,, "SPRING WASHER 10",2,,,,,,,,,,,,,  
86,2,,22217-100000,, "SPRING WASHER 10",3,,,,,,,,,,,,,  
87,2,,22217-140000,, "SPRING WASHER 14",2,,,,,,,,,,,,,  
88,2,,22417-400250,, "COTTER PIN 4.0X25",1,,,,,,,,,,,,,  
89,2,,22867-300080,, "SCREW 3X 8",2,,,,,,,,,,,,,  
90,2,,26013-080162,, "BOLT W/WASHER M8X16",4,,,,,,,,,,,,,  
91,2,,26013-080252,, "BOLT M 8X 25",4,,,,,,,,,,,,,  
92,2,,26013-080302,, "BOLT M 8X 30",4,,,,,,,,,,,,,  
93,2,,26013-100162,, "BOLT M10X 16",5,,,,,,,,,,,,,  
94,2,,26013-100202,, "BOLT W/WASHER M10X20",8,,,,,,,,,,,,,  
95,2,,26013-100252,, "BOLT W/WASHER M10X25",7,,,,,,,,,,,,,  
96,2,,26116-060102,, "BOLT M 6X 10 PLATED",8,,,,,,,,,,,,,  
97,2,,26116-101002,, "BOLT M10X100",3,,,,,,,,,,,,,  
98,2,,26450-080202,, "BOLT M 8X 20",8,,,,,,,,,,,,,  
99,2,,26716-100002,, "NUT M10",2,,,,,,,,,,,,,  
100,2,,26757-080002,, "LOCK NUT M 8 PLATED",3,,,,,,,,,,,,,  
101,2,,26757-140002,, "LOCK NUT M14 PLATED",2,,,,,,,,,,,,,  
102,2,,172162-69060,, STRIDER,1,,,,,,,,,,,,,  
103,2,,172165-67500,, SEAL,1,,,,,,,,,,,,,  
104,2,,172165-69520,, "SUSH ASSY",1,,,,,,,,,,,,,  
104-1,2,,172165-69521,, "SUSH ASSY",1,,,,,,N,,72165340,M30866,,,,,,I  
105,3,,172165-67810,, "GLASS L480 FR",1,,,,,,,,,,,,,  
105-1,3,,172165-67811,, "GLASS L440 FR",1,,,,,,F,1,72165340,M30866,,,,,,I  
106,3,,172165-67820,, "GLASS L450 RR",1,,,,,,,,,,,,,  
106-1,3,,172165-67821,, "GLASS L485 RR",1,,,,,,S,,72165340,M30866,,,,,,I  
107,3,,172165-67850,, "CHANNEL CTR",1,,,,,,,,,,,,,  
108,3,,172165-67860,, "STRIP,WATER",1,,,,,,,,,,,,,  
109,3,,172162-69970,, "LOCK ASSY",2,,,,,,,,,,,,,  
110,2,,172165-69490,, PLATE,1,,,,,,W,,72165428,M31274,,,,,,  
111,2,,22137-100000,, "WASHER 10,POLISHED",2,,,,,,W,,72165428,M31274,,,,,,  
112,2,,26013-100202,, "BOLT W/WASHER M10X20",2,,,,,,W,,72165428,M31274,,,,,,  
113,2,,172165-67480,, CLIP,1,,,,,,W,,72165388,M31136,,,,,,  
114,2,,172165-68280,, COLLAR,1,,,,,,W,,72165428,M31274,,,,,,  
115,2,,172165-69990,, SHIM,2,,,,,,,,,,,,,  
116,2,,933171-17770,, "SHIM SET",2,,,,,,,,,,,,,  
120,1,,26116-080202,, "BOLT M 8X 20 PLATED",2,,,,,,,,,,,,,  
121,1,,26716-080002,, "NUT M 8",2,,,,,,,,,,,,,  
122,1,,172119-68600,, BUCK,1,,,,,,,,,,,,,  
123,1,,22117-080000,, "WASHER 8",2,,,,,,,,,,,,,

# Fig. 26 CABIN

1 inc. 2 ~ 116



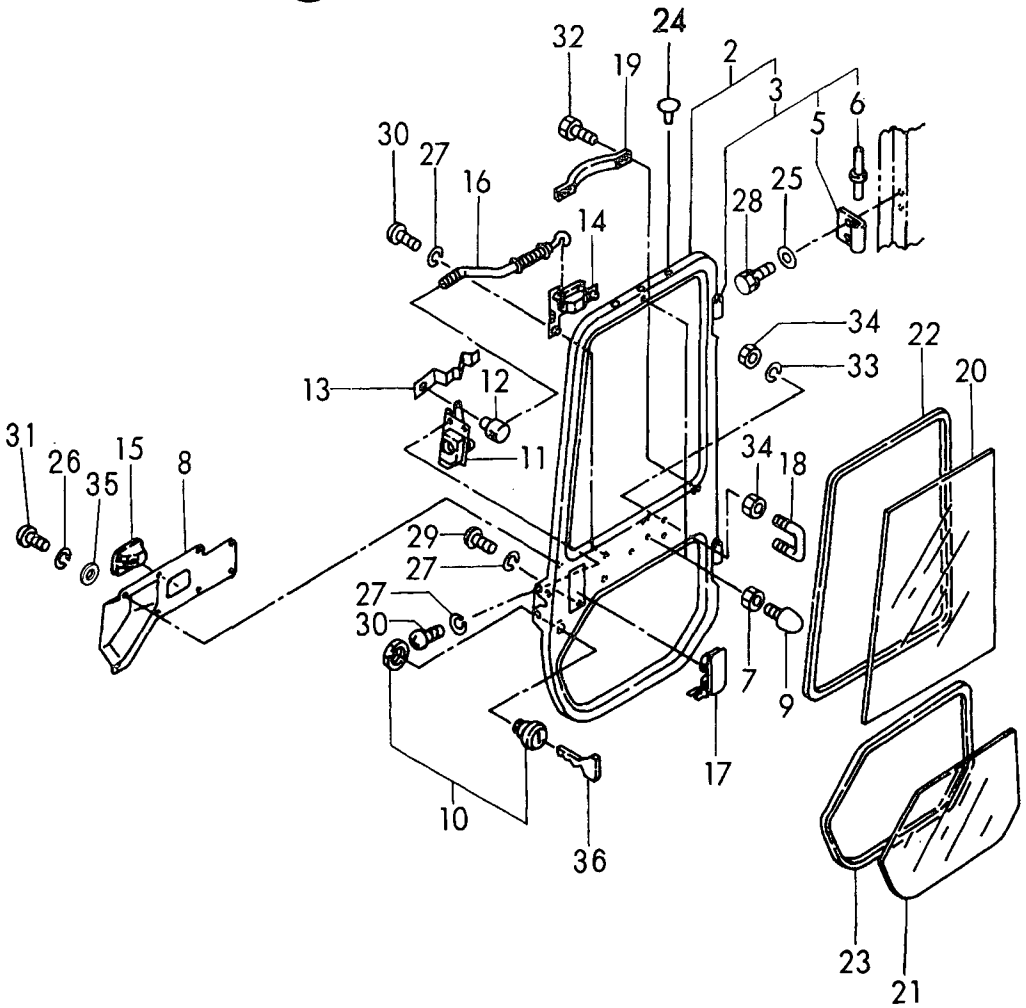
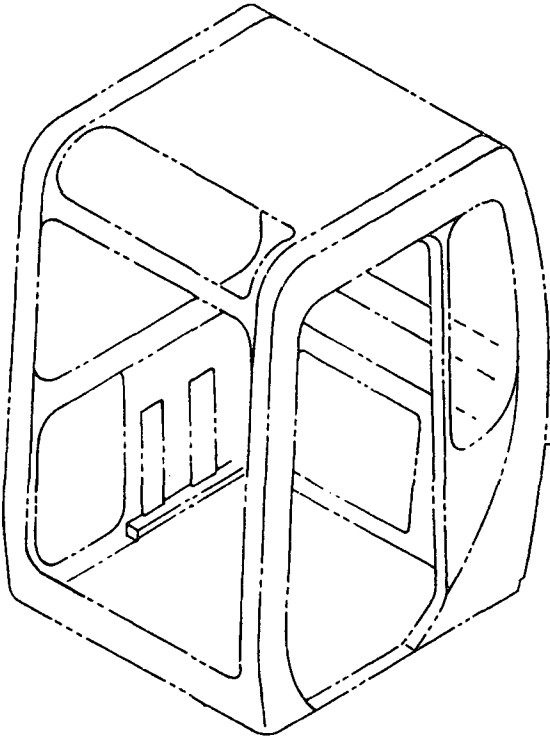
**DETAIL D**

105-L=480	106-L=450
105-I-L=440	106-I-L=485

1,1,,772165-69000,, "DOOR ASSY,SIDE(GREEN",1,,,,,,,,,,,,,  
2,2,,172165-69000,, "DOOR COMPL.",1,,,,,,,,,,,,,  
3,3,,172137-69410,,HINGE,2,,,,,,,,,,,,,  
5,4,,172137-66650,,HINGE(B),2,,,,,,,,,,,,,  
6,4,,172122-69390,,HINGE,2,,,,,,,,,,,,,  
7,2,,26757-100002,, "LOCK NUT M10",2,,,,,,,,,,,,,  
8,2,,172165-69141,, "COVER, DOOR",1,,,,,,,,,,,,,  
9,2,,172165-69190,,RUBBER,2,,,,,,,,,,,,,  
10,2,,172162-69460,, "KEY ASSY, CYLINDER",1,,,,,,,,,,,,,  
11,2,,172162-69480,, "LOCK ASSY",1,,,,,,,,,,,,,  
12,2,,172162-69490,,PIN,1,,,,,,,,,,,,,  
13,2,,172162-69500,,SPRING,1,,,,,,,,,,,,,  
14,2,,172162-69510,, "HANDLE ASSY",1,,,,,,,,,,,,,  
15,2,,172162-69520,,COVER,1,,,,,,,,,,,,,  
16,2,,172162-69530,, "ROD ASSY",1,,,,,,,,,,,,,  
17,2,,172162-69540,, "HANDLE, OUTER",1,,,,,,,,,,,,,  
18,2,,172162-69550,,HOOK,1,,,,,,,,,,,,,  
19,2,,172122-69620,, "KNOB, DOOR",1,,,,,,,,,,,,,  
20,2,,172165-69640,, "GLASS UP,DOOR",1,,,,,,,,,,,,,  
21,2,,172165-69650,,GLASS,1,,,,,,,,,,,,,  
22,2,,172165-69701,, "SEAL UP,DOOR",1,,,,,,,,,,,,,  
23,2,,172165-69711,,SEAL,1,,,,,,,,,,,,,  
24,2,,172165-63560,, "PLUG,HOLE",3,,,,,,,,,,,,,  
25,2,,22137-100000,, "WASHER 10,POLISHED",4,,,,,,,,,,,,,  
26,2,,22217-050000,, "SPRING WASHER 5",8,,,,,,,,,,,,,  
27,2,,22217-060000,, "SPRING WASHER 6",8,,,,,,,,,,,,,  
28,2,,26013-100252,, "BOLT W/WASHER M10X25",4,,,,,,,,,,,,,  
29,2,,26557-060102,, "SCREW M 6X 10",2,,,,,,,,,,,,,  
30,2,,26557-060162,, "SCREW M 6X 16",7,,,,,,,,,,,,,  
31,2,,26559-050162,,SCREW,8,,,,,,,,,,,,,  
32,2,,26559-050202,,SCREW,4,,,,,,,,,,,,,  
33,2,,22217-100000,, "SPRING WASHER 10",2,,,,,,,,,,,,,  
34,2,,26716-100002,, "NUT M10",4,,,,,,,,,,,,,  
35,2,,22137-050000,, "WASHER 5, POLISHED",8,,,,,,,,,,,,,  
36,1,,933110-00301,, "KEY ASSY",1,,,,,,,,,,,,,

Fig. 27 CABIN DOOR

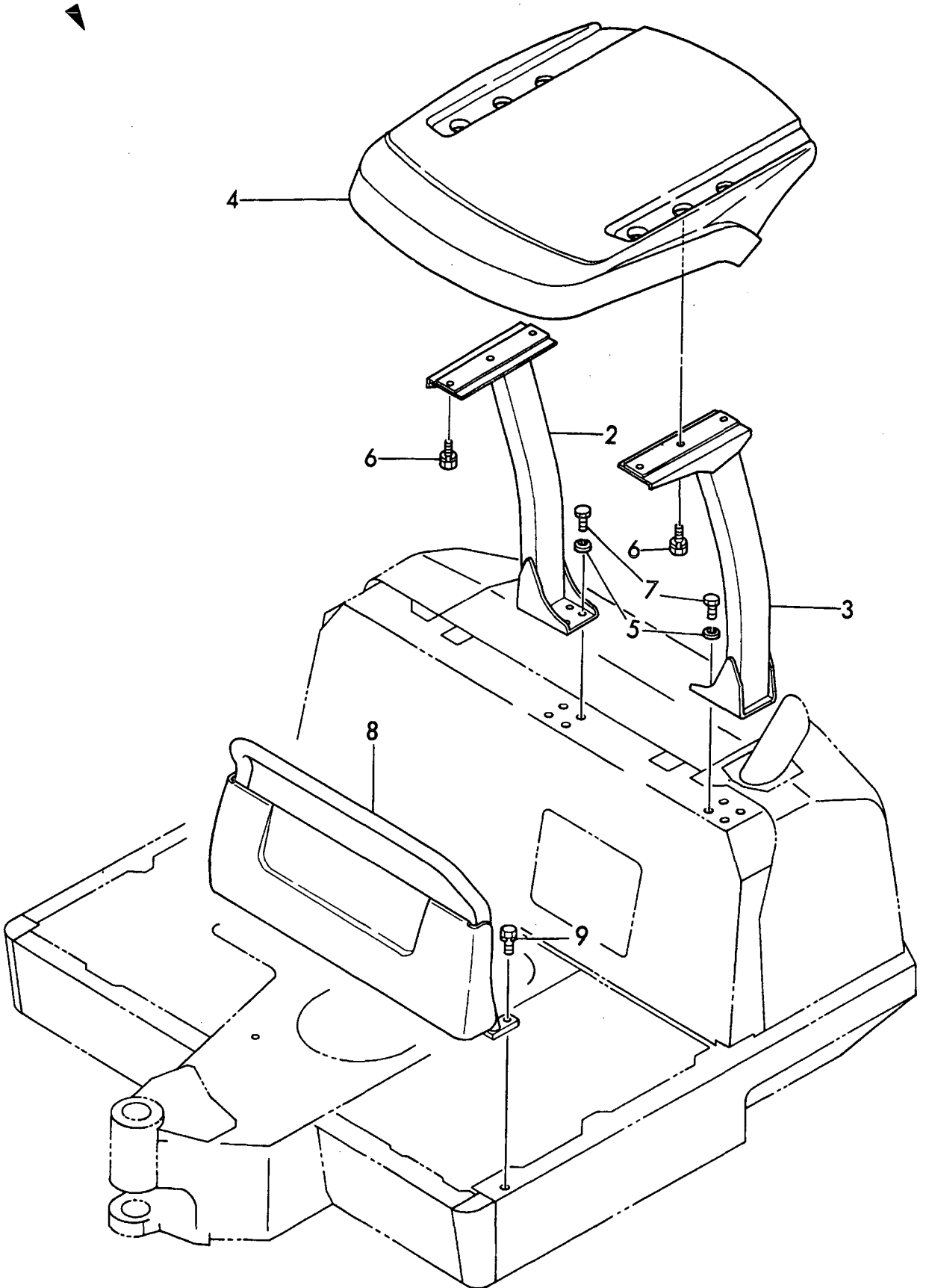
1 inc. 2 ~ 35



1,1,,772168-68100,, "CANOPY ASSY" ,,1,,,,,,,,,,,,,,,,,,,,,  
2,2,,172165-68100,, "POLE ASSY, CANOPY R" ,,1,,,,,,,,,,,,,,,,,,,,,  
3,2,,172165-68110,, "POLE ASSY, CANOPY L" ,,1,,,,,,,,,,,,,,,,,,,,,  
4,2,,172165-68301,, "ROOF, CANOPY" ,,1,,,,,,,,,,,,,,,,,,,,,  
5,2,,22217-140000,, "SPRING WASHER 14" ,,8,,,,,,,,,,,,,,,,,,,,,  
6,2,,26013-120402,, "BOLT M12X 40" ,,6,,,,,,,,,,,,,,,,,,,,,  
7,2,,172165-68180,, "BOLT, M14X 35" ,,8,,,,,,,,,,,,,,,,,,,,,  
8,1,,172165-68200,, "CANOPY F CMP" ,,1,,,,,,,,,,,,,,,,,,,,,  
9,1,,26013-120352,, "BOLT M12X 35" ,,2,,,,,,,,,,,,,,,,,,,,,

Fig. 28 CANOPY

1 inc. 2 ~ 7

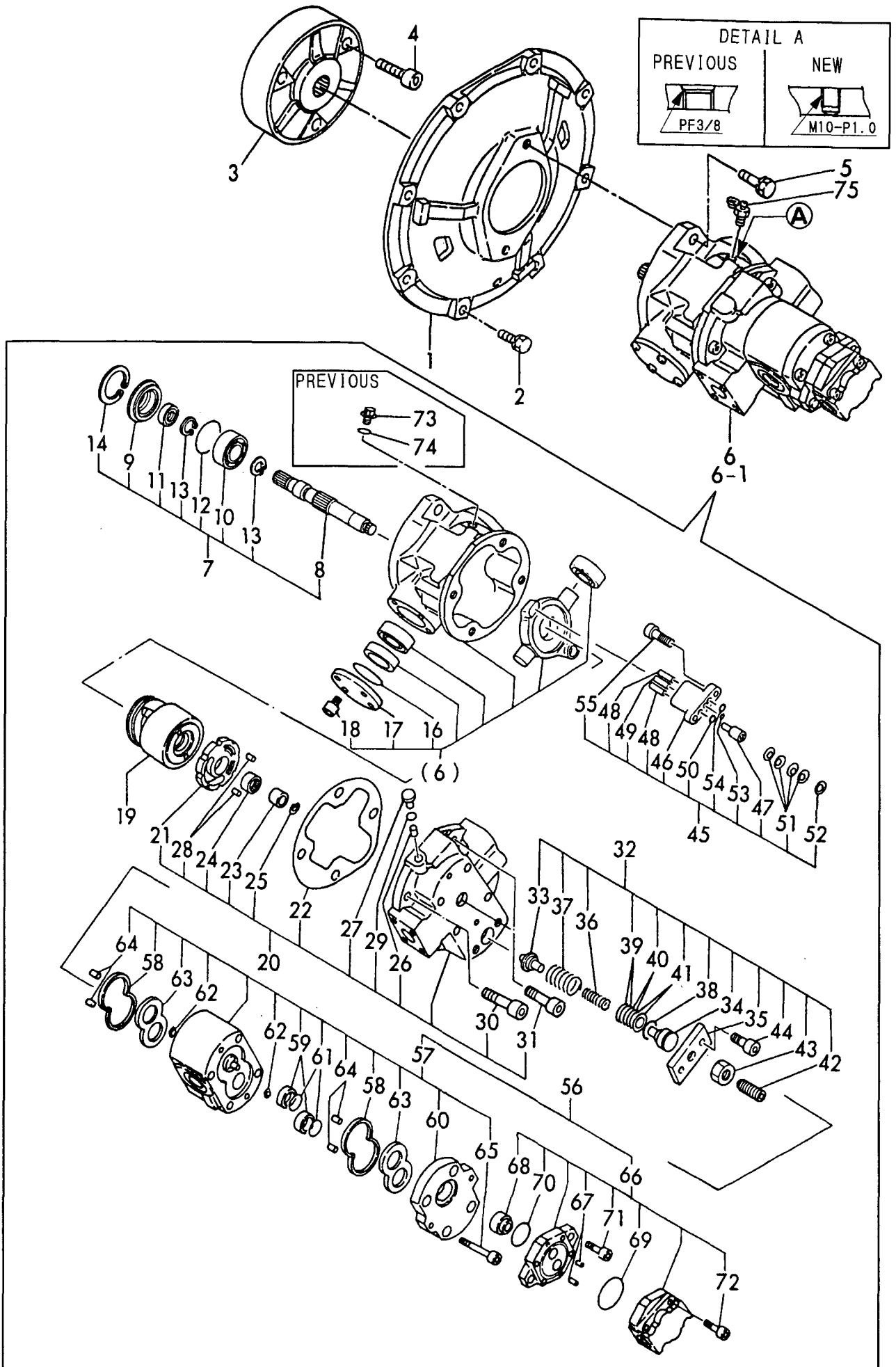


1,1,,172168-71100,,COVER,1,1,,,,,,,,,,,,,  
1-1,1,,172168-  
71101,,,"COVER,FLYWHEEL",1,1,,,,,N,,72168197,M31066,72168197,M31066,,,,,,,,,I  
2,1,,26013-100302,,,"BOLT M10X 30",8,8,,,,,,,,,,,,,  
3,1,,172165-71200,,COUPLING,1,1,,,,,,,,,,,,,  
4,1,,26450-120402,,,"BOLT M12X 40",3,3,,,,,,,,,,,,,  
5,1,,26013-120352,,,"BOLT M12X 35",2,2,,,,,,,,,,,,,  
6,1,,172171-73110,,,"PUMP ASSY",1,1,,,,,,,,,,,,,  
6-1,1,,172171-73111,,,"PUMP  
ASSY",1,1,,,,,S,,72168207,M31274,72168207,M31274,,,,,  
7,2,,172168-71200,,,"SHAFT ASSY, ROCKER",1,1,,,,,,,,,,,,,  
8,3,,172168-71310,,SHAFT,1,1,,,,,,,,,,,,,  
9,3,,172168-71320,,,"SEAL CASE",1,1,,,,,,,,,,,,,  
10,3,,172168-71330,,BEARING,1,1,,,,,,,,,,,,,  
11,3,,172147-73680,,,"SEAL, OIL",1,1,,,,,,,,,,,,,  
12,3,,172162-73790,,,"O-RING 140",1,1,,,,,,,,,,,,,  
13,3,,22242-000250,,,"CIRCLIP 25S",2,2,,,,,,,,,,,,,  
14,3,,22252-000620,,,"CIRCLIP 62(H)",1,1,,,,,,,,,,,,,  
16,3,,172168-71340,,O-RING,1,1,,,,,,,,,,,,,  
17,3,,172168-71550,,COVER,1,1,,,,,,,,,,,,,  
18,3,,26450-060162,,,"BOLT M 6X 16",4,4,,,,,,,,,,,,,  
19,2,,172168-71220,,,"ROTORY SET",1,1,,,,,,,,,,,,,  
20,2,,172168-71230,,,"COVER ASSY,GEAR CASE",1,1,,,,,,,,,,,,,  
21,3,,172168-71350,,,"PLATE, CONTROL",1,1,,,,,,,,,,,,,  
22,3,,172168-71360,,,"GASKET, BONNET",1,1,,,,,,,,,,,,,  
23,3,,172168-71370,,CPUPRING,1,1,,,,,,,,,,,,,  
24,3,,172168-71560,,BEARING,1,1,,,,,,,,,,,,,  
25,3,,172141-73210,,CIRCLIP,1,1,,,,,,,,,,,,,  
26,3,,172165-73580,,ORIFICE,3,3,,,,,,,,,,,,,  
27,3,,172142-74650,,,"PLUG 1/8",1,1,,,,,,,,,,,,,  
28,3,,22312-060140,,,"PARALLEL PIN 6X14",2,2,,,,,,,,,,,,,  
29,3,,24315-000080,,,"O-RING 1B P-8.0",1,1,,,,,,,,,,,,,  
30,3,,26450-100302,,,"BOLT M10X 30",4,4,,,,,,,,,,,,,  
31,3,,26450-100502,,,"BOLT 10X 50",1,1,,,,,,,,,,,,,  
32,2,,172168-71240,,,"SPRING,CONTROL",1,1,,,,,,,,,,,,,  
33,3,,172168-71380,,RETAINER,1,1,,,,,,,,,,,,,  
34,3,,172168-71390,,RETAINER,1,1,,,,,,,,,,,,,  
35,3,,172168-71400,,COVER,1,1,,,,,,,,,,,,,  
36,3,,172168-71410,,SPRING,1,1,,,,,,,,,,,,,  
37,3,,172168-71420,,SPRING,1,1,,,,,,,,,,,,,  
38,3,,172168-71430,,O-RING,1,1,,,,,,,,,,,,,  
39,3,,172168-71440,,SHIM,2,2,,,,,,,,,,,,,  
40,3,,172168-71450,,SHIM,2,2,,,,,,,,,,,,,  
41,3,,172168-71460,,SHIM,2,2,,,,,,,,,,,,,  
42,3,,172165-73640,,,"ADJUST SCREW",1,1,,,,,,,,,,,,,  
43,3,,172165-73670,,,"NUT M 6",1,1,,,,,,,,,,,,,  
44,3,,26450-080302,,,"BOLT M 8X 30",2,2,,,,,,,,,,,,,  
45,2,,172171-71250,,,"PISTON ASSY, CONTROL",1,1,,,,,,,,,,,,,  
46,3,,172168-71470,,CYLINDER,1,1,,,,,,,,,,,,,  
47,3,,172171-71480,,PISTON,1,1,,,,,,,,,,,,,  
48,3,,172168-71490,,,"PARALLEL PIN",2,2,,,,,,,,,,,,,  
49,3,,172168-71500,,,"PARALLEL PIN",1,1,,,,,,,,,,,,,  
50,3,,172168-71510,,O-RING,1,1,,,,,,,,,,,,,  
51,3,,172168-71520,,,"CONICAL SPRING",4,4,,,,,,,,,,,,,  
52,3,,172168-71530,,RETAINER,1,1,,,,,,,,,,,,,  
53,3,,172165-73790,,O-RING,1,1,,,,,,,,,,,,,  
54,3,,172143-74220,,O-RING,1,1,,,,,,,,,,,,,  
55,3,,26450-080252,,,"BOLT M 8X 25",2,2,,,,,,,,,,,,,  
56,2,,172171-71280,,,"PUMP ASSY, DPLX.GEAR",1,1,,,,,,,,,,,,,  
57,3,,172171-71290,,,"PUMP ASSY, GEAR",1,1,,,,,,,,,,,,,  
58,4,,172141-71520,,RING,2,2,,,,,,,,,,,,,  
59,4,,172141-73230,,GUIDE,2,2,,,,,,,,,,,,,  
60,4,,172168-71540,,PLATE,1,1,,,,,,,,,,,,,



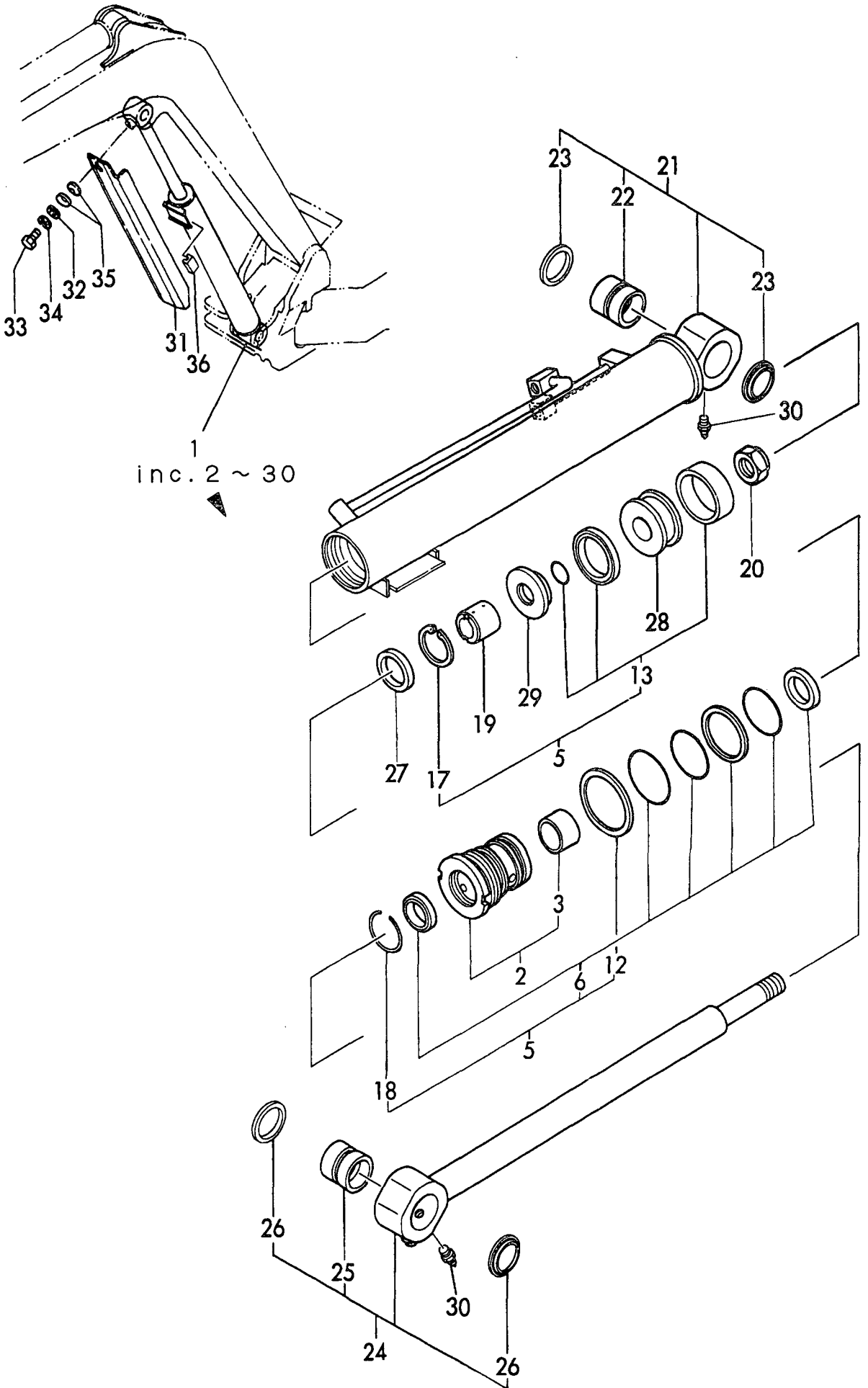
61,4,,172141-71550,,O-RING,2,2,,,,,,,,,,,,,  
62,4,,172141-71560,,RING,2,2,,,,,,,,,,,,,  
63,4,,172141-73220,,PLATE,2,2,,,,,,,,,,,,,  
64,4,,172141-73240,, "PIN, PARALLEL",4,4,,,,,,,,,,,,,  
65,4,,26450-100752,, "BOLT, SOCKET HEAD",4,4,,,,,,,,,,,,,  
66,3,,172168-71300,, "PUMP, HYD. OIL",1,1,,,,,,,,,,,,,  
67,4,,172141-73240,, "PIN, PARALLEL",2,2,,,,,,,,,,,,,  
68,4,,172165-73860,,COUPLING,1,1,,,,,,,,,,,,,  
69,4,,172165-73870,,O-RING,1,1,,,,,,,,,,,,,  
70,4,,172165-73880,,O-RING,1,1,,,,,,,,,,,,,  
71,4,,26450-080182,, "BOLT M 8X 18",2,2,,,,,,,,,,,,,  
72,4,,26450-080402,, "BOLT 8X40",4,4,,,,,,,,,,,,,  
73,2,,172168-71270,,PLAG,1,1,,,,,Z,,72168207,M31274,72168207,M31274,,,,,,  
74,2,,24311-000140,, "O-RING 1A P-  
14.0",1,1,,,,,Z,,72168207,M31274,72168207,M31274,,,,,,  
75,1,,172164-73110,,VALVE,1,1,,,,,W,,72168207,M31274,72168207,M31274,,,,,,

Fig. 29 HYD. OIL PUMP & JOINT



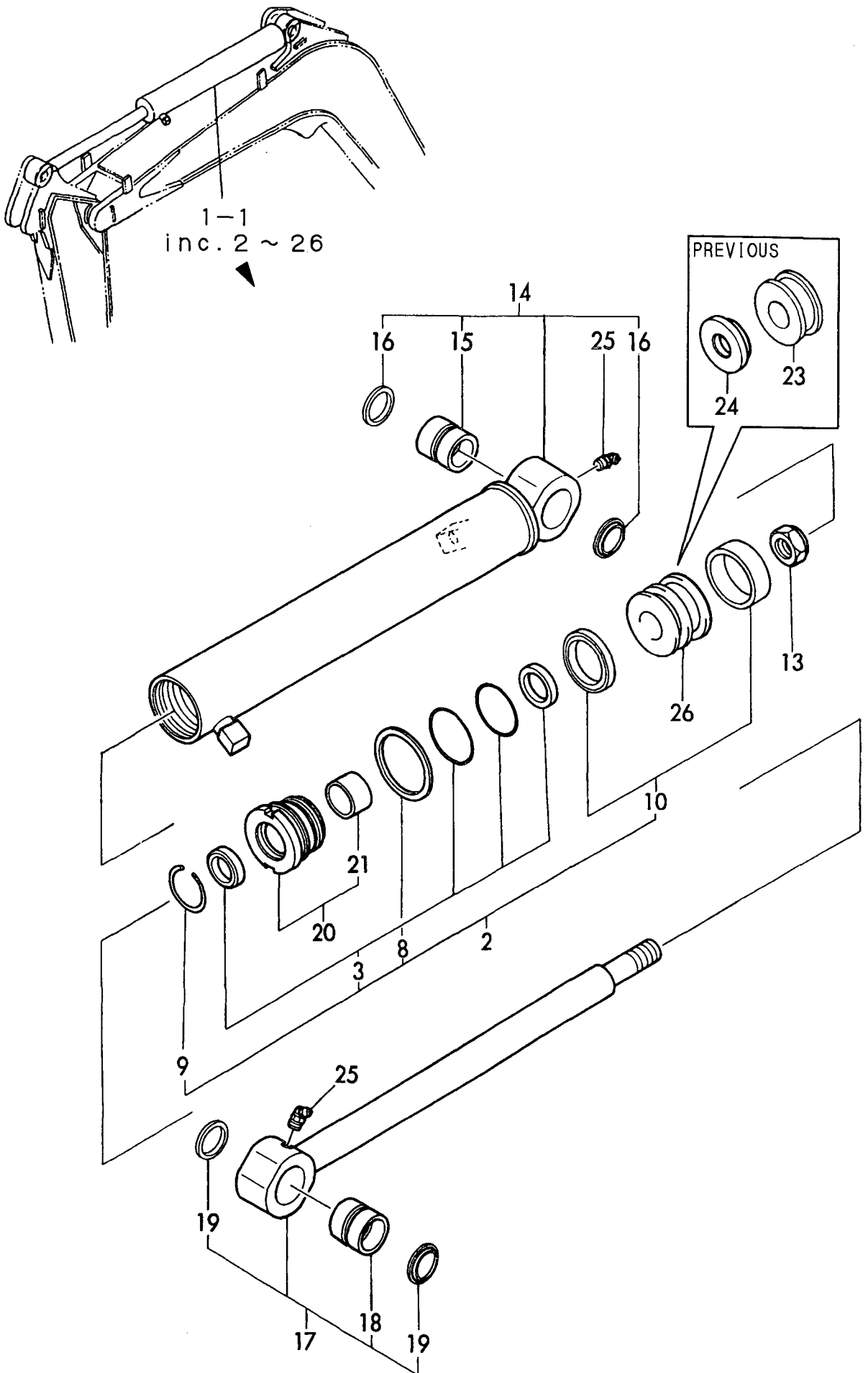
1,1,,172141-71701,, "CYLINDER CMP.,BOOM C",1,1,,,,,,,,,,,,,  
2,2,,172141-72140,, "HEAD 75 40",1,1,,,,,,,,,,,,,  
3,3,,933135-14600,, "BUSH 40 30, ROD",1,1,,,,,,,,,,,,,  
5,2,,172141-99350,, "CYLINDER KIT, BOOM",1,1,,,,,,,,,,,,,  
6,3,,172141-71880,, "SEAL SET, HEAD",1,1,,,,,,,,,,,,,  
12,3,,172141-72190,, "WASHER 75",1,1,,,,,,,,,,,,,  
13,3,,172141-71911,, "SEAL SET, PISTON",1,1,,,,,,,,,,,,,  
17,3,,22252-000561,, "CIRCLIP 56",1,1,,,,,,,,,,,,,  
18,3,,933111-26600,, "RING 55, SPRING",1,1,,,,,,,,,,,,,  
19,2,,172141-72220,, "PLUNGER 44C, CUSHION",1,1,,,,,,,,,,,,,  
20,2,,172141-72250,, "U-NUT M27",1,1,,,,,,,,,,,,,  
21,2,,172141-71711,, "TUBE COMP.,BOOM C",1,1,,,,,,,,,,,,,  
22,3,,172143-72331,, "BUSH 38 50",1,1,,,,,,,,,,,,,  
23,3,,172168-81270,, "SEAL,DUST 38X50X4",2,2,,,,,,,,,,,,,  
24,2,,172141-72322,, "ROD COMP",1,1,,,,,,,,,,,,,  
25,3,,172143-72331,, "BUSH 38 50",1,1,,,,,,,,,,,,,  
26,3,,172168-81270,, "SEAL,DUST 38X50X4",2,2,,,,,,,,,,,,,  
27,2,,172137-72730,, "RING 44B, CUSHION",1,1,,,,,,,,,,,,,  
28,2,,172141-73051,, "PISTON 75 27 A",1,1,,,,,,,,,,,,,  
29,2,,172141-73061,, "PISTON 75 27 B",1,1,,,,,,,,,,,,,  
30,2,,24761-020000,, "NIPPLE PT1/8,GREASE",2,2,,,,,,,,,,,,,  
31,1,,172141-72592,, "COVER, SLIDE",1,1,,,,,,,,,,,,,  
32,1,,933147-03400,, "WASHER, BRAKE ARM",1,1,,,,,,,,,,,,,  
33,1,,26116-100162,, "BOLT M10X 16 PLATED",1,1,,,,,,,,,,,,,  
34,1,,22217-100000,, "SPRING WASHER 10",1,1,,,,,,,,,,,,,  
35,1,,933168-14170,, "SPRING 16",2,2,,,,,,,,,,,,,  
36,1,,172162-61770,, "GUIDE,SLIDE",2,2,,,,,,,,,,,,,

Fig. **30** BOOM CYLINDER



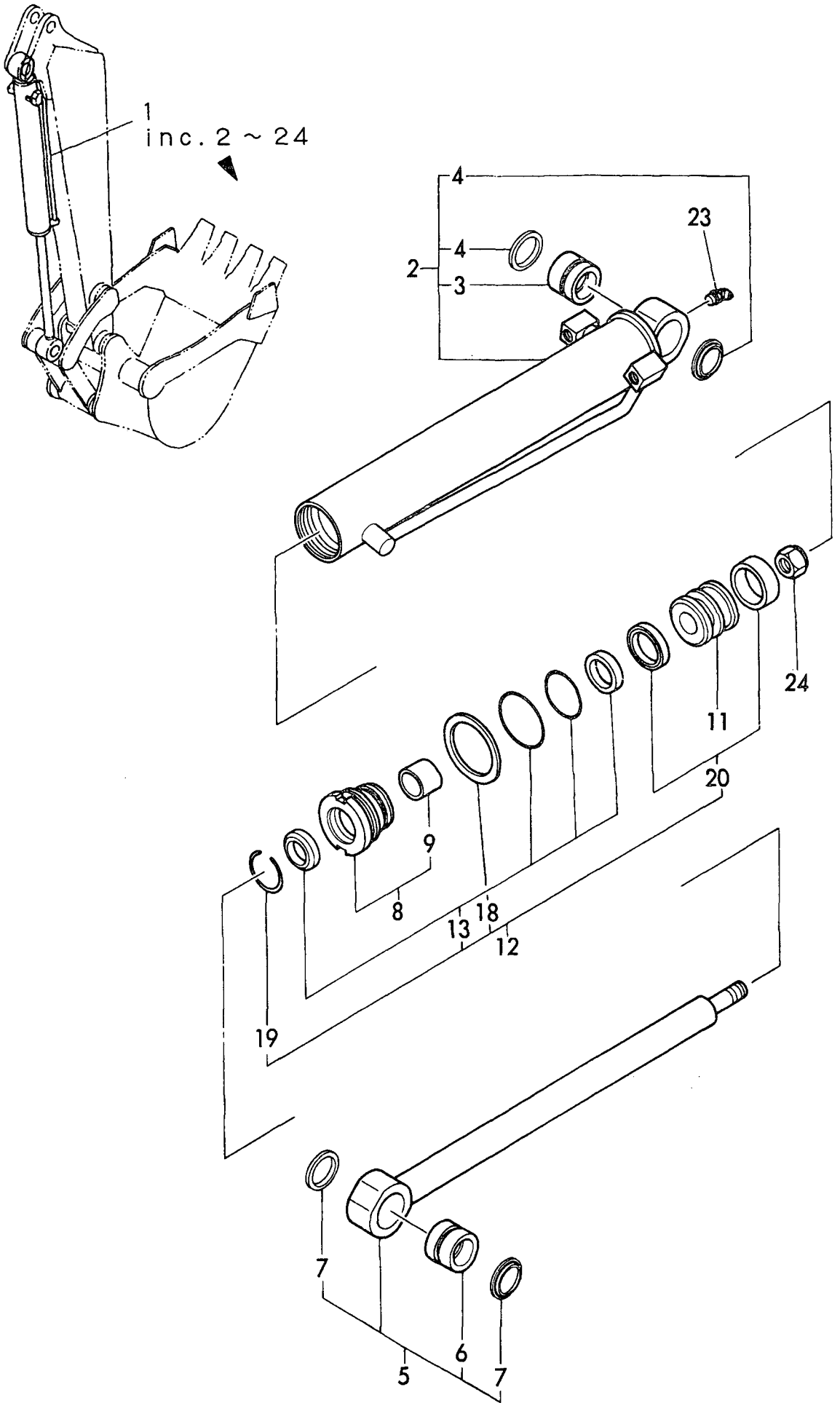
1,1,,172141-72350,, "CYLINDER ASSY, ARM",1,1,,,,,M,,,,,,,,,  
1-1,1,,172141-72351,, "CYLINDER ASSY, ARM",1,1,,,,,  
2,2,,172141-99380,, "CYLINDER KIT, ARM",1,1,,,,,  
3,3,,172141-71890,, "SEAL SET, CYL.HEAD",1,1,,,,,  
8,3,,172141-72190,, "WASHER 75",1,1,,,,,  
9,3,,933111-26600,, "RING 55, SPRING",1,1,,,,,  
10,3,,172148-72930,, "SEAL SET, PISTON",1,1,,,,,  
13,2,,172141-72250,, "U-NUT M27",1,1,,,,,  
14,2,,172141-72361,, "TUBE W/BUSH",1,1,,,,,  
15,3,,172171-72150,, "BUSH 38X50X40",1,1,,,,,  
16,3,,172168-81270,, "SEAL,DUST 38X50X4",2,2,,,,,  
17,2,,172141-72381,, "ROD W/BUSH, ARM",1,1,,,,,  
18,3,,172171-72150,, "BUSH 38X50X40",1,1,,,,,  
19,3,,172168-81270,, "SEAL,DUST 38X50X4",2,2,,,,,  
20,2,,172141-72690,, "HEAD 75 40 W/BUSH",1,1,,,,,  
21,3,,933135-14600,, "BUSH 40 30, ROD",1,1,,,,,  
23,2,,172141-73051,, "PISTON 75 27  
A",1,1,,,,,Z,,72171067,M31297,72171067,M31297,,,,,  
24,2,,172141-73071,, "PISTON 75 27  
C",1,1,,,,,Z,,72171067,M31297,72171067,M31297,,,,,  
25,2,,24761-040000,, "NIPPLE B,GREASE",2,2,,,,,  
26,2,,172175-72470,, "PISTON  
75",1,1,,,,,W,,72171067,M31297,72171067,M31297,,,,,

Fig. 31 ARM CYLINDER



1,1,,172141-72451,, "CYLINDER ASSY, BUCKET",1,1,,,,,,,,,,,,,  
2,2,,172141-72461,, "TUBE ASSY, BUCKET",1,1,,,,,,,,,,,,,  
3,3,,172141-72561,, "BUSH 35 40 A, PIN",1,1,,,,,,,,,,,,,  
4,3,,172171-81280,, "SEAL 35X45X4",2,2,,,,,,,,,,,,,  
5,2,,172141-72511,, "ROD, BUCKET",1,1,,,,,,,,,,,,,  
6,3,,172141-72561,, "BUSH 35 40 A, PIN",1,1,,,,,,,,,,,,,  
7,3,,172171-81280,, "SEAL 35X45X4",2,2,,,,,,,,,,,,,  
8,2,,172141-72540,, "HEAD 6035, CYLINDER",1,1,,,,,,,,,,,,,  
9,3,,933111-01600,, "BUSH 35 30, ROD",1,1,,,,,,,,,,,,,  
11,2,,172171-72120,, "PISTON",1,1,,,,,,,,,,,,,  
12,2,,172149-99380,, "CYLINDER KIT, BUCKET",1,1,,,,,,,,,,,,,  
13,3,,172141-71900,, "SEAL SET, HEAD",1,1,,,,,,,,,,,,,  
18,3,,933125-59600,, "WASHER 60 B, LOCK",1,1,,,,,,,,,,,,,  
19,3,,172141-73090,, "RING 50, SPRING",1,1,,,,,,,,,,,,,  
20,3,,172137-72452,, "SEAL SET 60A, PISTON",1,1,,,,,,,,,,,,,  
23,2,,24761-040000,, "NIPPLE B, GREASE",1,1,,,,,,,,,,,,,  
24,2,,172171-72130,, "U-NUT M24",1,1,,,,,,,,,,,,,

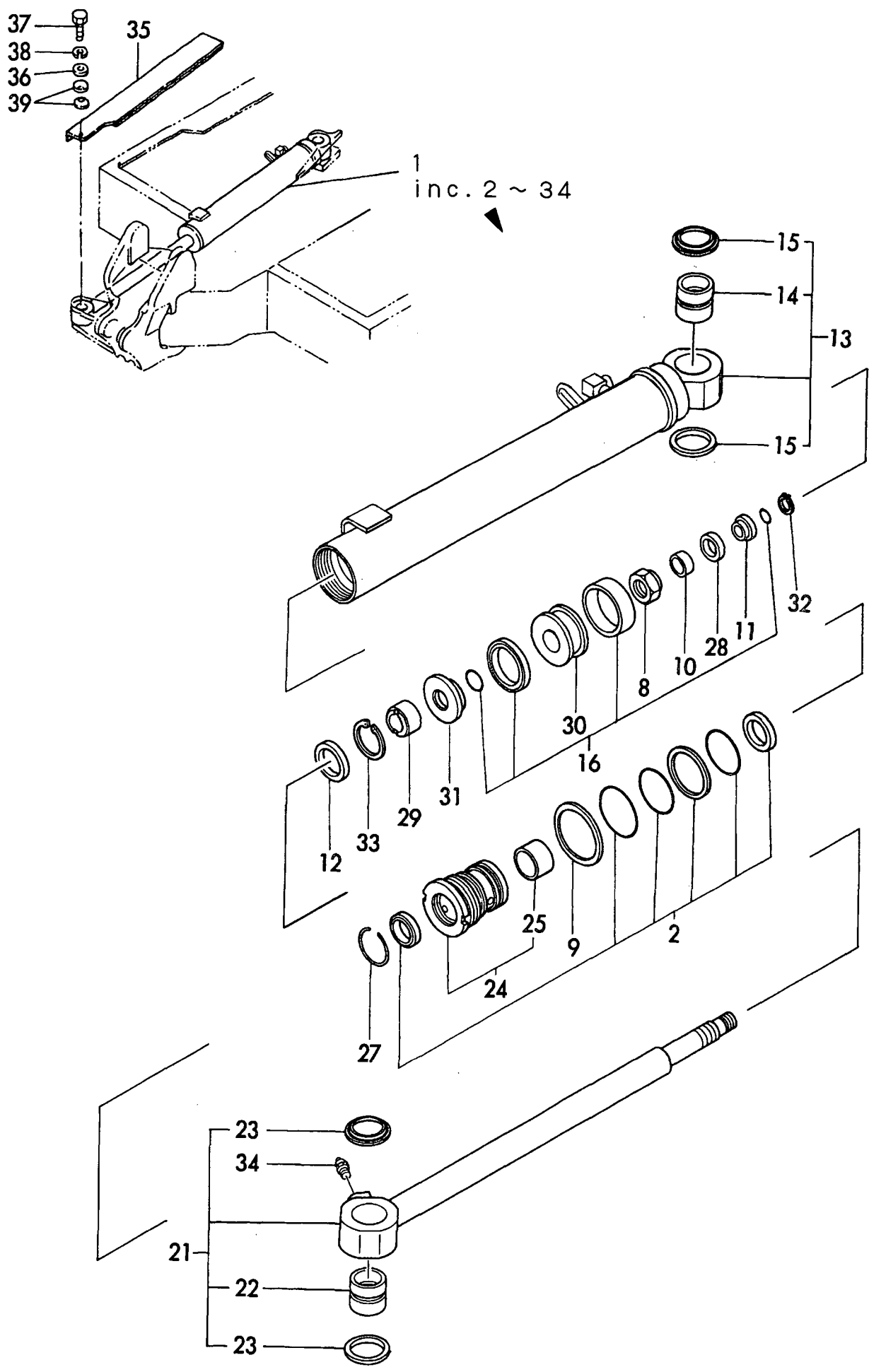
Fig. 32 BUCKET CYLINDER





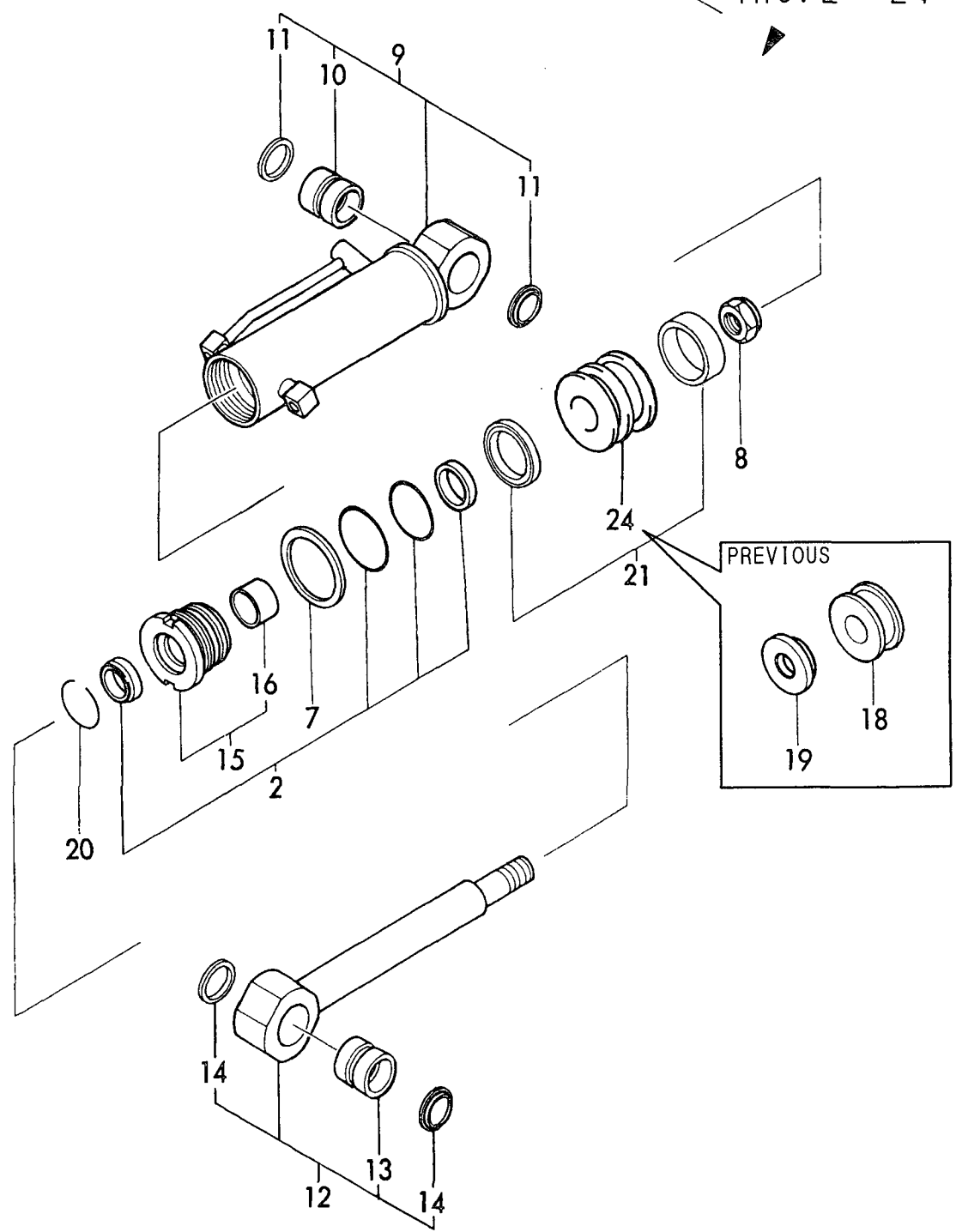
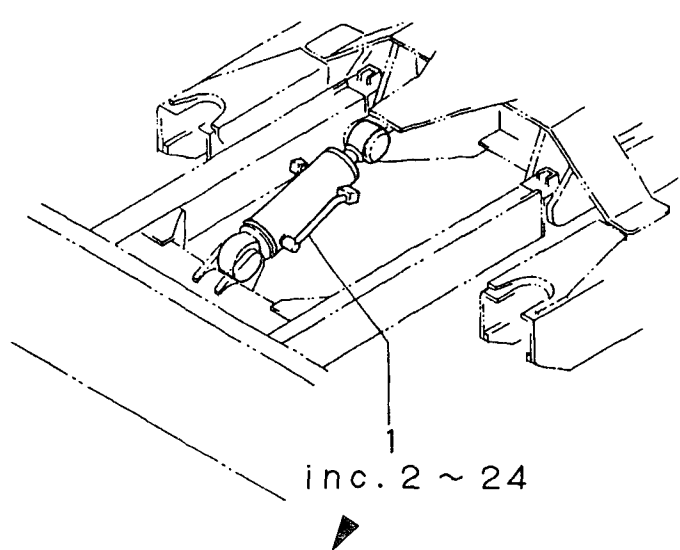
1,1,,172171-72200,, "CYLINDER COMP., SWING",1,1,,,,,,,,,,,,,  
2,2,,172141-71880,, "SEAL SET, HEAD",1,1,,,,,,,,,,,,,  
8,2,,172141-72250,, "U-NUT M27",1,1,,,,,,,,,,,,,  
9,2,,172141-72190,, "WASHER 75",1,1,,,,,,,,,,,,,  
10,2,,172137-72710,, "COLLAR 40B, CUSHION",1,1,,,,,,,,,,,,,  
11,2,,172137-72720,, "COLLAR 40A, CUSHION",1,1,,,,,,,,,,,,,  
12,2,,172137-72730,, "RING 44B, CUSHION",1,1,,,,,,,,,,,,,  
13,2,,172171-72210,, "TUBE W/BUSH, SWING",1,1,,,,,,,,,,,,,  
14,3,,172168-72240,, "BUSH 38X50X40",1,1,,,,,,,,,,,,,  
15,3,,172168-81270,, "SEAL,DUST 38X50X4",2,2,,,,,,,,,,,,,  
16,2,,172141-71921,, "SEAL SET,PISTON",1,1,,,,,,,,,,,,,  
21,2,,172171-72350,, "ROD ASSY, SWING",1,1,,,,,,,,,,,,,  
22,3,,172168-72240,, "BUSH 38X50X40",1,1,,,,,,,,,,,,,  
23,3,,172168-81270,, "SEAL,DUST 38X50X4",2,2,,,,,,,,,,,,,  
24,2,,172141-72140,, "HEAD 75 40",1,1,,,,,,,,,,,,,  
25,3,,933135-14600,, "BUSH 40 30, ROD",1,1,,,,,,,,,,,,,  
27,2,,933111-26600,, "RING 55, SPRING",1,1,,,,,,,,,,,,,  
28,2,,172137-72700,, "RING 40A, CUSHION",1,1,,,,,,,,,,,,,  
29,2,,172141-72930,, "PLUGER 44, CUSHION",1,1,,,,,,,,,,,,,  
30,2,,172141-73051,, "PISTON 75 27 A",1,1,,,,,,,,,,,,,  
31,2,,172141-73061,, "PISTON 75 27 B",1,1,,,,,,,,,,,,,  
32,2,,172142-72810,, "CIRCLIP 22",1,1,,,,,,,,,,,,,  
33,2,,22252-000561,, "CIRCLIP 56",1,1,,,,,,,,,,,,,  
34,2,,24761-020000,, "NIPPLE PT1/8,GREASE",1,1,,,,,,,,,,,,,  
35,1,,172171-72260,, "COVER COMP., SWING",1,1,,,,,,,,,,,,,  
36,1,,933147-03400,, "WASHER, BRAKE ARM",1,1,,,,,,,,,,,,,  
37,1,,26116-100162,, "BOLT M10X 16 PLATED",1,1,,,,,,,,,,,,,  
38,1,,22217-100000,, "SPRING WASHER 10",1,1,,,,,,,,,,,,,  
39,1,,933168-14170,, "SPRING 16",2,2,,,,,,,,,,,,,

Fig. 33 SWING CYLINDER



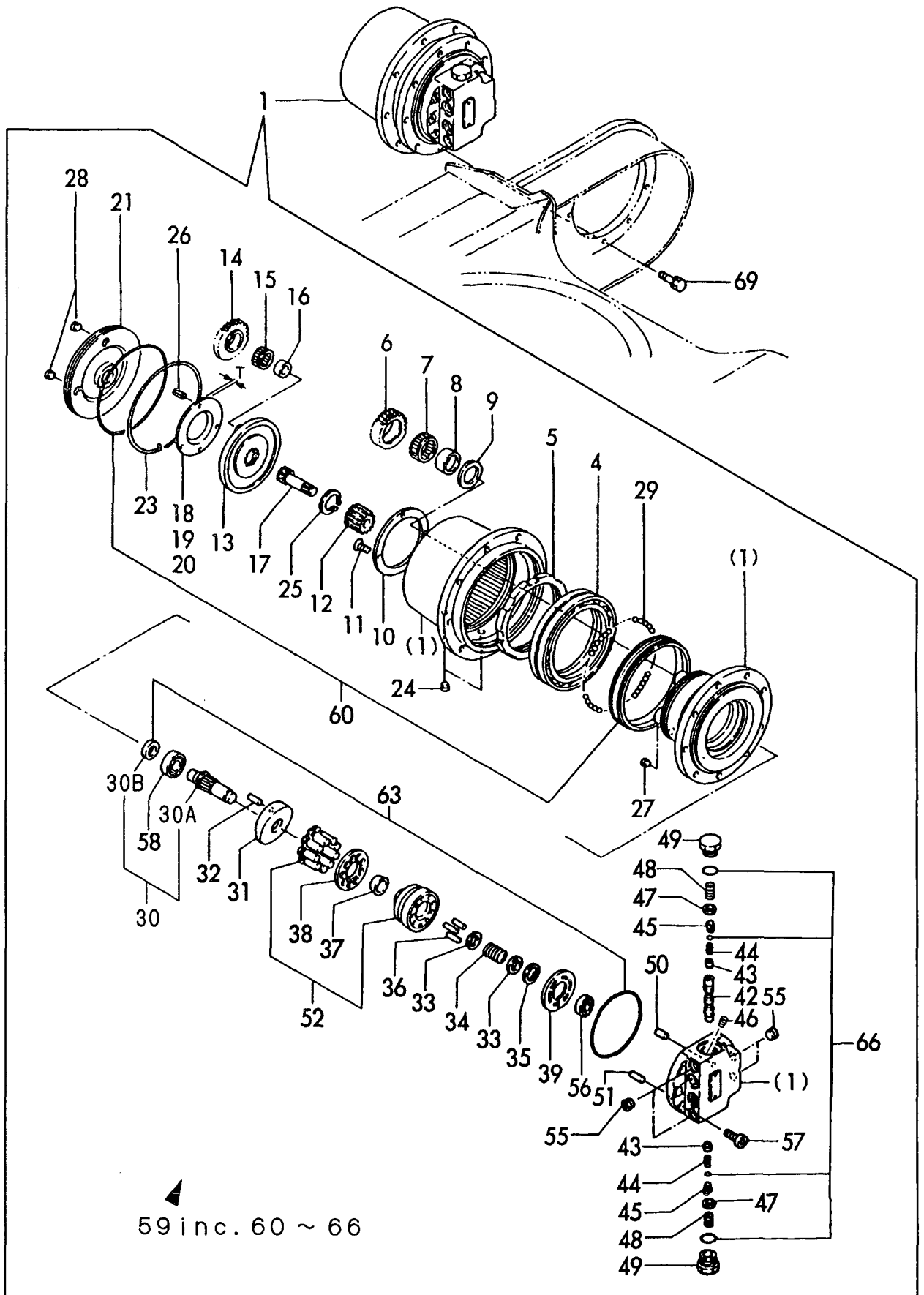
1,1,,172141-72601,, "CYLINDER ASSY, BLADE",1,1,,,,,,,,,,,,,  
2,2,,172141-71890,, "SEAL SET, CYL.HEAD",1,1,,,,,,,,,,,,,  
7,2,,172141-72190,, "WASHER 75",1,1,,,,,,,,,,,,,  
8,2,,172141-72250,, "U-NUT M27",1,1,,,,,,,,,,,,,  
9,2,,172141-72611,, "TUBE ASSY, BLADE",1,1,,,,,,,,,,,,,  
10,3,,172168-72240,, "BUSH 38X50X40",1,1,,,,,,,,,,,,,  
11,3,,172168-81270,, "SEAL,DUST 38X50X4",2,2,,,,,,,,,,,,,  
12,2,,172141-72671,, "ROD, BLADE",1,1,,,,,,,,,,,,,  
13,3,,172168-72240,, "BUSH 38X50X40",1,1,,,,,,,,,,,,,  
14,3,,172168-81270,, "SEAL,DUST 38X50X4",2,2,,,,,,,,,,,,,  
15,2,,172141-72690,, "HEAD 75 40 W/BUSH",1,1,,,,,,,,,,,,,  
16,3,,933135-14600,, "BUSH 40 30, ROD",1,1,,,,,,,,,,,,,  
18,2,,172141-73051,, "PISTON 75 27  
A",1,1,,,,,Z,,72171067,M31297,72171067,M31297,,,,,  
19,2,,172141-73071,, "PISTON 75 27  
C",1,1,,,,,Z,,72171067,M31297,72171067,M31297,,,,,  
20,2,,933111-26600,, "RING 55, SPRING",1,1,,,,,,,,,,,,,  
21,2,,172148-72930,, "SEAL SET, PISTON",1,1,,,,,,,,,,,,,  
24,2,,172175-72470,, "PISTON  
75",1,1,,,,,W,,72171067,M31297,72171067,M31297,,,,,

Fig. 34 BLADE CYLINDER



1,1,,172141-73351,, "MOTOR ASSY, DRIVE",2,2,,,,,,,,,,,,,,,,,,,,,  
4,3,,172141-70030,, "BEARING, ANGULAR",2,2,,,,,,,,,,,,,,,,,,,,,  
5,3,,172141-70040,, "NUT, RING",2,2,,,,,,,,,,,,,,,,,,,,,,,,,,,,,  
6,3,,172141-70060,, "GEAR(B), PLANETARY",8,8,,,,,,,,,,,,,,,,,,,,,  
7,3,,172141-70070,, "CAGE & ROLLER",8,8,,,,,,,,,,,,,,,,,,,,,  
8,3,,172141-70080,, "COLLAR",8,8,,,,,,,,,,,,,,,,,,,,,,,,,,,,,  
9,3,,172141-70090,, "WASHER, THRUST",8,8,,,,,,,,,,,,,,,,,,,,,  
10,3,,172141-70100,, "PLATE, THRUST",2,2,,,,,,,,,,,,,,,,,,,,,  
11,3,,172141-70110,, "SCREW",8,8,,,,,,,,,,,,,,,,,,,,,,,,,,,,,  
12,3,,172141-70120,, "GEAR, SUN",2,2,,,,,,,,,,,,,,,,,,,,,,,,,,,,,  
13,3,,172141-70130,, "HOLDER",2,2,,,,,,,,,,,,,,,,,,,,,,,,,,,,,  
14,3,,172141-70140,, "GEAR(A), PLANETARY",6,6,,,,,,,,,,,,,,,,,,,,,  
15,3,,172141-70150,, "CAGE & ROLLER",6,6,,,,,,,,,,,,,,,,,,,,,  
16,3,,172141-70160,, "INNER LACE",6,6,,,,,,,,,,,,,,,,,,,,,,,,,,,,,  
17,3,,172141-70170,, "GEAR, DRIVE",2,2,,,,,,,,,,,,,,,,,,,,,,,,,,,,,  
18,3,,172141-70180,, "PLATE(T1.8), THRUST",2,2,,,,,,,,,1,,,,,,,,,,,,,  
19,3,,172141-70190,, "PLATE(T2.3), THRUST",2,2,,,,,,,,,1,,,,,,,,,,,,,  
20,3,,172141-70200,, "PLATE(T2.8), THRUST",2,2,,,,,,,,,1,,,,,,,,,,,,,  
21,3,,172141-70210,, "COVER",2,2,,,,,,,,,,,,,,,,,,,,,,,,,,,,,  
23,3,,172141-70230,, "WIRE",2,2,,,,,,,,,,,,,,,,,,,,,,,,,,,,,  
24,3,,172122-73430,, "PLUG",4,4,,,,,,,,,,,,,,,,,,,,,,,,,,,,,  
25,3,,22242-000350,, "CIRCLIP 35",2,2,,,,,,,,,,,,,,,,,,,,,,,,,,,,,  
26,3,,22351-050016,, "SPRING PIN 5X16",6,6,,,,,,,,,,,,,,,,,,,,,  
27,3,,23871-020000,, "PLUG PT1/4,SCREW",4,4,,,,,,,,,,,,,,,,,,,,,  
28,3,,23871-030000,, "PLUG PT3/8,SCREW",4,4,,,,,,,,,,,,,,,,,,,,,  
29,3,,24190-050001,, "BALL 5/32",262,262,,,,,,,,,,,,,,,,,,,,,  
30,2,,172142-73591,, "SHAFT ASSY",2,2,,,,,,,,,,,,,,,,,,,,,,,,,,,,,  
30A,3,,172171-70360,, "SHAFT",2,2,,,,,,,,,,,,,,,,,,,,,,,,,,,,,  
30B,3,,172171-70370,, "SEAL, OIL",2,2,,,,,,,,,,,,,,,,,,,,,,,,,,,,,  
31,2,,172141-70260,, "PLATE",2,2,,,,,,,,,,,,,,,,,,,,,,,,,,,,,  
32,2,,172141-70270,, "PIN",2,2,,,,,,,,,,,,,,,,,,,,,,,,,,,,,,,,,,,,,  
33,2,,172141-70290,, "HOLDER, SPRING",4,4,,,,,,,,,,,,,,,,,,,,,  
34,2,,172141-70300,, "SPRING",2,2,,,,,,,,,,,,,,,,,,,,,,,,,,,,,  
35,2,,172141-70310,, "SNAP RING",2,2,,,,,,,,,,,,,,,,,,,,,,,,,,,,,  
36,2,,172141-70320,, "PIN",6,6,,,,,,,,,,,,,,,,,,,,,,,,,,,,,,,,,,,,,  
37,2,,172141-70330,, "HOLDER, RETAINER",2,2,,,,,,,,,,,,,,,,,,,,,  
38,2,,172141-70340,, "PLATE, RETAINER",2,2,,,,,,,,,,,,,,,,,,,,,  
39,2,,172141-70360,, "PLATE, VALVE",2,2,,,,,,,,,,,,,,,,,,,,,  
42,3,,172171-70320,, "PLUNGER",2,2,,,,,,,,,,,,,,,,,,,,,,,,,,,,,  
43,3,,172141-70410,, "VALVE, CHECK",4,4,,,,,,,,,,,,,,,,,,,,,  
44,3,,172171-70330,, "SPRING",4,4,,,,,,,,,,,,,,,,,,,,,,,,,,,,,  
45,3,,172141-70430,, "PLUG",4,4,,,,,,,,,,,,,,,,,,,,,,,,,,,,,,,,,,,,,  
46,3,,172171-70340,, "ORIFICE",4,4,,,,,,,,,,,,,,,,,,,,,,,,,,,,,  
47,3,,172141-70450,, "SEAT, SPRING",4,4,,,,,,,,,,,,,,,,,,,,,  
48,3,,172141-70460,, "SPRING",4,4,,,,,,,,,,,,,,,,,,,,,,,,,,,,,  
49,3,,172141-70470,, "CAP",4,4,,,,,,,,,,,,,,,,,,,,,,,,,,,,,,,,,,,,,  
50,3,,172141-70480,, "PIN",2,2,,,,,,,,,,,,,,,,,,,,,,,,,,,,,,,,,,,,,  
51,2,,172141-70490,, "PIN",4,4,,,,,,,,,,,,,,,,,,,,,,,,,,,,,,,,,,,,,  
52,2,,172141-70540,, "CYLINDER BLOCK S/A",2,2,,,,,,,,,,,,,,,,,,,,,  
55,2,,23871-020000,, "PLUG PT1/4,SCREW",8,8,,,,,,,,,,,,,,,,,,,,,  
56,2,,24101-060024,, "BALL BEARING",2,2,,,,,,,,,,,,,,,,,,,,,,,,,,,,,  
57,2,,26450-080202,, "BOLT M 8X 20",12,12,,,,,,,,,,,,,,,,,,,,,  
58,2,,24101-060040,, "BALL BEARING",2,2,,,,,,,,,,,,,,,,,,,,,,,,,,,,,  
59,2,,172141-70500,, "SEAL ASSY",2,2,,,,,,,,,,,,,,,,,,,,,,,,,,,,,  
60,3,,172141-70510,, "SEAL SET, REDUCTION",2,2,,,,,,,,,,,,,,,,,,,,,  
63,3,,172141-70520,, "SEAL SET, MOTOR",2,2,,,,,,,,,,,,,,,,,,,,,  
66,3,,172141-70530,, "SEAL SET, BASE PLATE",2,2,,,,,,,,,,,,,,,,,,,,,  
69,1,,26013-120302,, "BOLT W/WASHER M12X30",18,18,,,,,,,,,,,,,,,,,,,,,

Fig. 35 TRAVEL MOTOR (SING SPEED) (PREVIOUS)



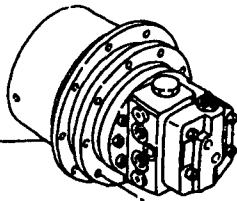
1,1,,172171-73700,, "MOTOR ASSY,DRIVING",2,2,,,,,,,,,,,,,  
2,2,,172148-70240,,ORIFICE,4,4,,,,,,,,,,,,,  
3,2,,172148-70250,,SPOOL,2,2,,,,,,,,,,,,,  
4,2,,172141-70290,, "HOLDER, SPRING",2,2,,,,,,,,,,,,,  
5,2,,172148-70301,,PLUG,4,4,,,,,,,,,,,,,  
6,2,,172141-70310,, "SNAP RING",2,2,,,,,,,,,,,,,  
7,2,,172122-70410,,PIN,4,4,,,,,,,,,,,,,  
8,2,,172147-70440,, "SEAT, SPRING",4,4,,,,,,,,,,,,,  
9,2,,172147-70450,,SPRING,4,4,,,,,,,,,,,,,  
10,2,,172147-70460,,CAP,4,4,,,,,,,,,,,,,  
11,2,,172141-70480,,PIN,2,2,,,,,,,,,,,,,  
12,2,,172147-70490,,SPRING,2,2,,,,,,,,,,,,,  
13,2,,172147-70500,,PLUG,4,4,,,,,,,,,,,,,  
14,2,,172147-70510,,PLUG,6,6,,,,,,,,,,,,,  
15,2,,172122-70540,, "BOLT, SOCKET",12,12,,,,,,,,,,,,,  
16,2,,172171-70800,,REDUCTION,2,2,,,,,,,,,,,,,  
17,3,,172141-70030,, "BEARING, ANGULAR",2,2,,,,,,,,,,,,,  
18,3,,172141-70040,, "NUT, RING",2,2,,,,,,,,,,,,,  
19,3,,172141-70060,, "GEAR(B), PLANETARY",8,8,,,,,,,,,,,,,  
20,3,,172141-70070,, "CAGE & ROLLER",8,8,,,,,,,,,,,,,  
21,3,,172141-70080,,COLLAR,8,8,,,,,,,,,,,,,  
22,3,,172141-77090,,WASHER,8,8,,,,,,,,,,,,,  
23,3,,172141-70100,, "PLATE, THRUST",2,2,,,,,,,,,,,,,  
24,3,,172141-70110,,SCREW,8,8,,,,,,,,,,,,,  
25,3,,172141-70120,, "GEAR, SUN",2,2,,,,,,,,,,,,,  
26,3,,172141-70150,, "CAGE & ROLLER",6,6,,,,,,,,,,,,,  
27,3,,172141-70160,, "INNER LACE",6,6,,,,,,,,,,,,,  
28,3,,172148-70170,,HOLDER,2,2,,,,,,,,,,,,,  
29,3,,172141-70180,, "PLATE(T1.8), THRUST",2,2,,,,,1,,,,,,,,,,,,,  
30,3,,172171-70820,, "PLATE, THRUST",2,2,,,,,1,,,,,,,,,,,,,  
31,3,,172141-70190,, "PLATE(T2.3), THRUST",2,2,,,,,1,,,,,,,,,,,,,  
32,3,,172141-70200,, "PLATE(T2.8), THRUST",2,2,,,,,1,,,,,,,,,,,,,  
33,3,,172147-70220,,PLUG,4,4,,,,,,,,,,,,,  
34,3,,172141-70230,,WIRE,2,2,,,,,,,,,,,,,  
35,3,,172122-70350,,BALL,264,264,,,,,,,,,,,,,  
36,3,,172171-70810,, "GEAR, DRIVE",2,2,,,,,,,,,,,,,  
37,3,,172148-70180,, "GEAR(A), PLANETARY",6,6,,,,,,,,,,,,,  
38,3,,172168-71770,, "SEAL SET, REDUCTION",2,2,,,,,,,,,,,,,  
39,4,,172141-70020,, "SEAL, FLOATING",2,2,,,,,,,,,,,,,  
40,4,,172162-70820,,O-RING,2,2,,,,,,,,,,,,,  
41,3,,172168-71840,,COVER,2,2,,,,,,,,,,,,,  
42,3,,172122-73430,,PLUG,4,4,,,,,,,,,,,,,  
43,3,,22242-000350,, "CIRCLIP 35",2,2,,,,,,,,,,,,,  
44,3,,22351-050016,, "SPRING PIN 5X16",6,6,,,,,,,,,,,,,  
45,3,,23871-020000,, "PLUG PT1/4,SCREW",4,4,,,,,,,,,,,,,  
46,3,,23871-030000,, "PLUG PT3/8,SCREW",6,6,,,,,,,,,,,,,  
47,2,,172171-70830,,PLATE,2,2,,,,,,,,,,,,,  
48,2,,172168-71780,, "SEAL SET, MOTOR",2,2,,,,,,,,,,,,,  
49,3,,172171-70370,, "SEAL, OIL",2,2,,,,,,,,,,,,,  
50,3,,24315-000070,, "O-RING 1B P-7.0",6,6,,,,,,,,,,,,,  
51,3,,24315-000100,, "O-RING 1B P-10.0",4,4,,,,,,,,,,,,,  
52,3,,24315-000140,, "O-RING 1B P-14.0",4,4,,,,,,,,,,,,,  
53,3,,24315-000290,, "O-RING 1B P-29.0",4,4,,,,,,,,,,,,,  
54,3,,24325-001200,, "O-RING BG120.0",2,2,,,,,,,,,,,,,  
55,2,,172168-71790,, "SEAL KIT, BLOCK",2,2,,,,,,,,,,,,,  
56,3,,172147-70580,, "RING P12 T2, BACK UP",4,4,,,,,,,,,,,,,  
57,3,,172147-70600,, "RING P15,T3,BACKUP",4,4,,,,,,,,,,,,,  
58,3,,24315-000070,, "O-RING 1B P-7.0",6,6,,,,,,,,,,,,,  
59,3,,24315-000110,, "O-RING 1B P-11.0",4,4,,,,,,,,,,,,,  
60,3,,24315-000120,, "O-RING 1B P-12.0",2,2,,,,,,,,,,,,,  
61,3,,24315-000150,, "O-RING 1B P-15.0",2,2,,,,,,,,,,,,,  
62,3,,24315-000160,, "O-RING 1B P-16.0",4,4,,,,,,,,,,,,,  
63,3,,24315-000240,, "O-RING 1B P-24.0",2,2,,,,,,,,,,,,,

64,2,,172168-71850,,SHAFT,2,2,,,,,,,,,,,,,  
65,2,,172168-71870,,BALL,2,2,,,,,,,,,,,,,  
66,2,,172168-71880,, "BLOCK, CYLINDER",2,2,,,,,,,,,,,,,  
67,2,,172168-71890,,SPRING,2,2,,,,,,,,,,,,,  
68,2,,172168-71900,, "SEAT,SPRING",2,2,,,,,,,,,,,,,  
69,2,,172168-71910,,PIN,6,6,,,,,,,,,,,,,  
70,2,,172168-71920,, "HOLDER,RETAINER",2,2,,,,,,,,,,,,,  
71,2,,172168-71930,, "PLATE, RETAINER",2,2,,,,,,,,,,,,,  
72,2,,172168-71940,,PISTON,18,18,,,,,,,,,,,,,  
73,2,,172168-71950,,SPRING,4,4,,,,,,,,,,,,,  
74,2,,172168-71960,,PLATE,2,2,,,,,,,,,,,,,  
75,2,,172168-71970,, "PLUNGER W/BARREL",2,2,,,,,,,,,,,,,  
76,3,,172147-70420,,PLUNGER,2,2,,,,,,,,,,,,,  
77,3,,172122-70430,, "VALVE, CHECK",4,4,,,,,,,,,,,,,  
78,3,,172147-70430,,PLUG,4,4,,,,,,,,,,,,,  
79,3,,172122-70440,,SPRING,4,4,,,,,,,,,,,,,  
80,2,,172168-71980,, "BLOCK ASSY.,RELIEF",2,2,,,,,,,,,,,,,  
81,3,,172148-70350,,BOLT,8,8,,,,,,,,,,,,,  
82,3,,172162-70690,, "VALVE ASSY, RELIEF",4,4,,,,,,,,,,,,,  
83,4,,172153-70140,, "GUIDE, SPRING",4,4,,,,,,,,,,,,,  
84,4,,172162-70750,,PISTON,4,4,,,,,,,,,,,,,  
85,4,,24315-000090,, "O-RING 1B P- 9.0",4,4,,,,,,,,,,,,,  
86,3,,172168-71990,, "VALVE BODY",2,2,,,,,,,,,,,,,  
87,3,,23871-020000,, "PLUG PT1/4,SCREW",4,4,,,,,,,,,,,,,  
88,2,,172638-73330,,PLATE,2,2,,,,,,,,,,,,,  
89,2,,172312-74790,,ORIFICE,8,8,,,,,,,,,,,,,  
90,2,,24101-060024,, "BALL BEARING",2,2,,,,,,,,,,,,,  
91,2,,24101-060040,, "BALL BEARING",2,2,,,,,,,,,,,,,  
92,1,,26013-120302,, "BOLT W/WASHER M12X30",18,18,,,,,,,,,,,,,

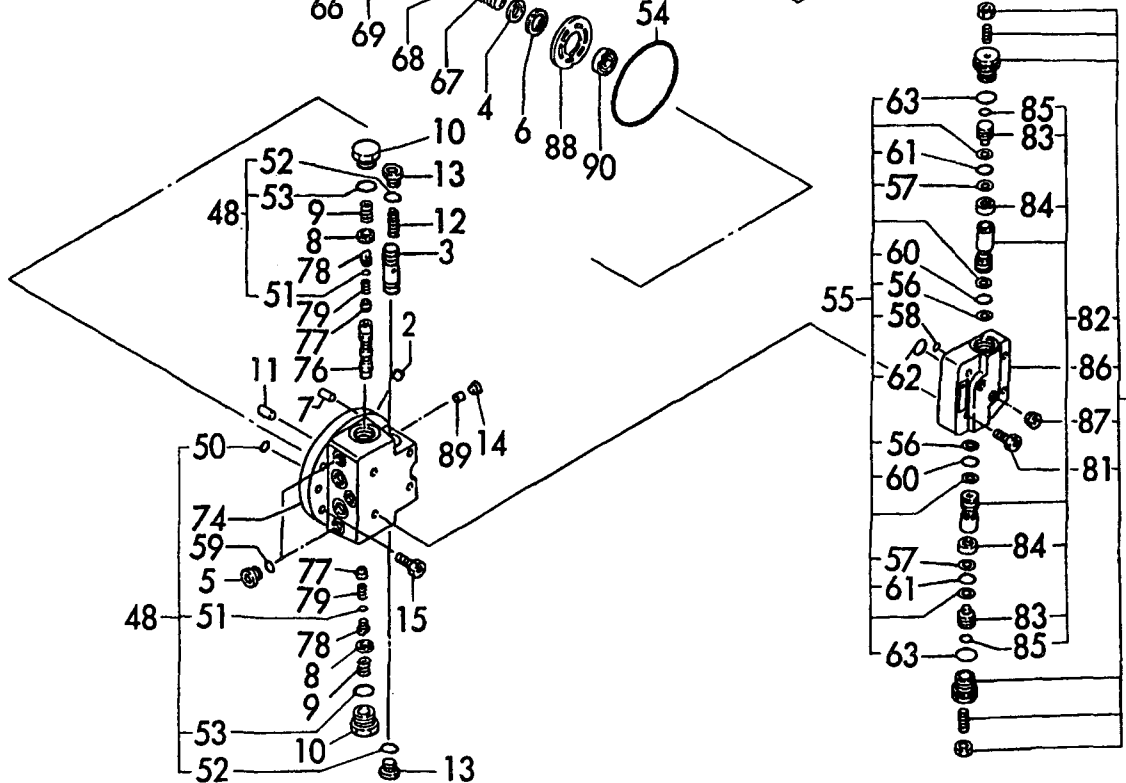
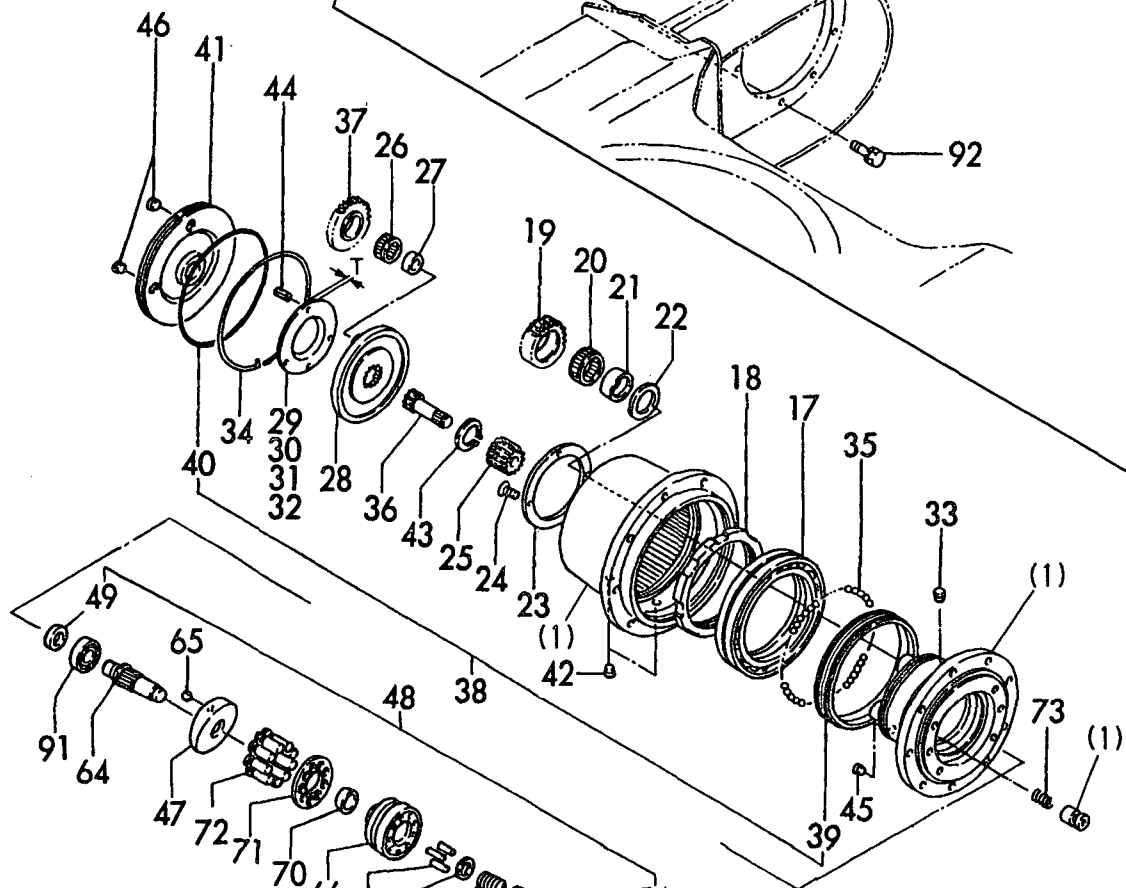


Fig. 36 TRAVEL MOTOR (DOUBLE SPEED) (NEW)

FROM M/#30501



16 inc. 17 ~ 46

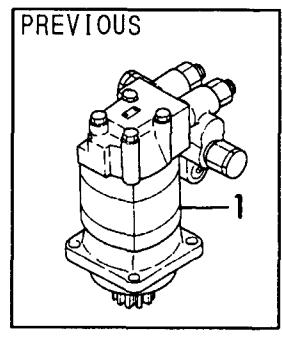
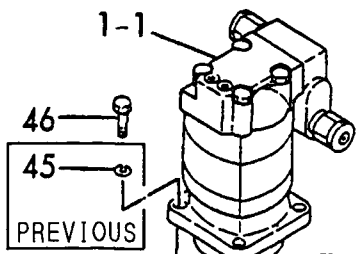
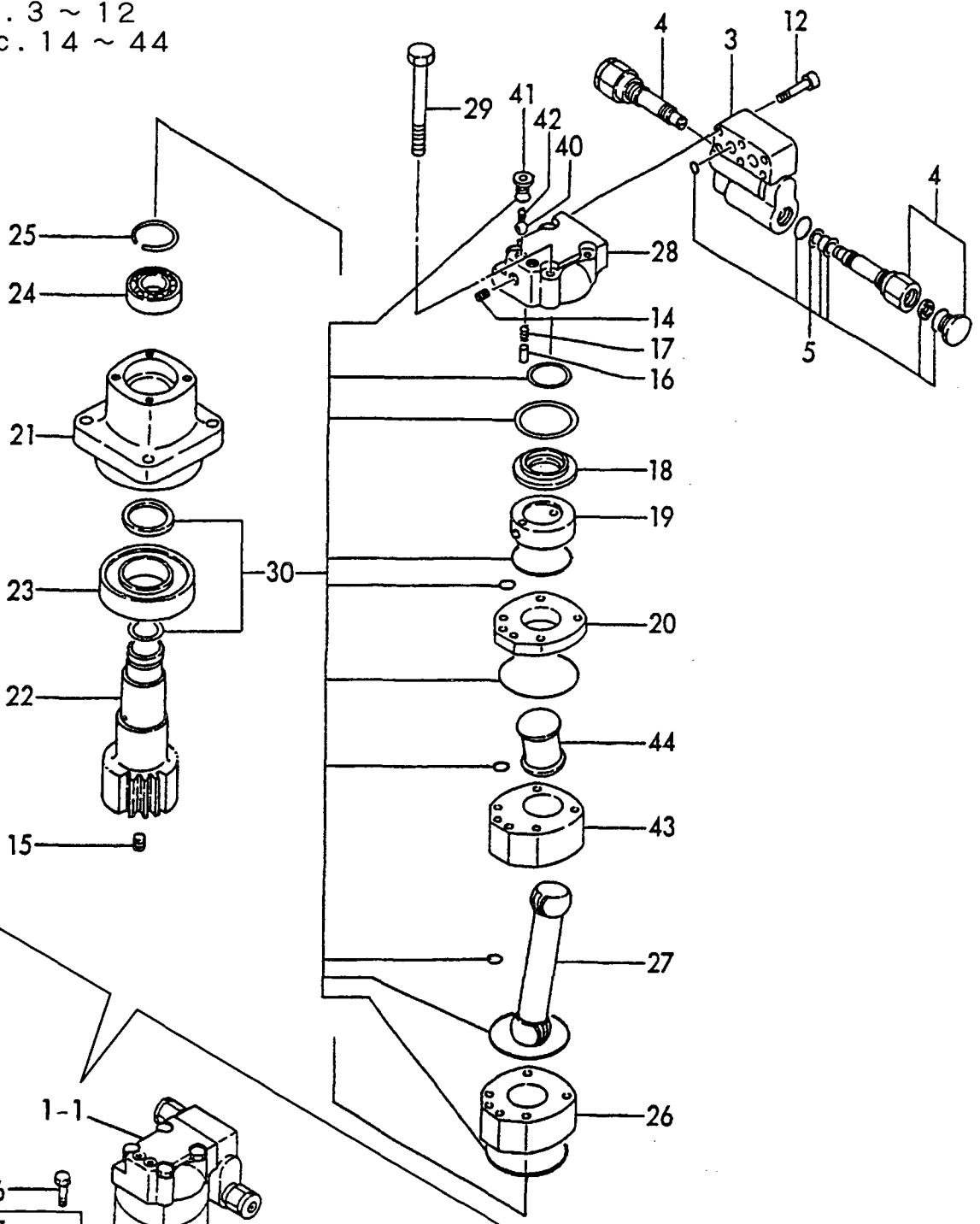


75 inc. 76 ~ 79

1,1,,172171-73310,, "MOTOR ASSY, SWING",1,1,,,,,,,,,,,,,  
1-1,1,,172171-73311,, "MOTOR ASSY,  
SWING",1,1,,,,,S,,72171020,M30650,72171020,M30650,,,,,  
2,2,,172171-73321,, "VALVE CMP.",1,1,,,,,,,,,,,,,  
3,3,,172168-73340,, "VALVE BODY",1,1,,,,,,,,,,,,,  
4,3,,172171-73350,, "CARTRIDGE ASSY",2,2,,,,,,,,,,,,,  
5,3,,172168-73360,, "SEAL KIT",1,1,,,,,,,,,,,,,  
12,3,,172168-73370,, BOLT,6,6,,,,,,,,,,,,,  
13,2,,172171-73401,, "MOTOR ASSY,SWING",1,1,,,,,,,,,,,,,  
14,3,,172137-70490,, PLUG,1,1,,,,,,,,,,,,,  
15,3,,172137-70490,, PLUG,1,1,,,,,,,,,,,,,  
16,3,,172137-70570,, PIN,2,2,,,,,,,,,,,,,  
17,3,,172137-70580,, SPRING,2,2,,,,,,,,,,,,,  
18,3,,172137-70590,, PLATE,1,1,,,,,,,,,,,,,  
19,3,,172137-70600,, VALVE,1,1,,,,,,,,,,,,,  
20,3,,172148-73350,, "PLATE, VALVE",1,1,,,,,,,,,,,,,  
21,3,,172171-73410,, HOUSING,1,1,,,,,,,,,,,,,  
22,3,,172171-73420,, PINION,1,1,,,,,,,,,,,,,  
23,3,,172171-73430,, "BALL BEARING",1,1,,,,,,,,,,,,,  
24,3,,172171-73440,, "BALL BEARING",1,1,,,,,,,,,,,,,  
25,3,,172171-73460,, "RETAINING RING",1,1,,,,,,,,,,,,,  
26,3,,172171-73481,, "PLATE,WEAR",1,1,,,,,,,,,,,,,  
27,3,,172171-73491,, DRAIVE,1,1,,,,,,,,,,,,,  
28,3,,172171-73501,, "HOUSING, VALVE",1,1,,,,,,,,,,,,,  
29,3,,172171-73511,, BOLT,4,4,,,,,,,,,,,,,  
30,3,,172171-73521,, "SEAL KIT",1,1,,,,,,,,,,,,,  
40,3,,172168-73580,, BALL,2,2,,,,,,,,,,,,,  
41,3,,172168-73590,, PLAG,2,2,,,,,,,,,,,,,  
42,3,,172168-73600,, SPRING,2,2,,,,,,,,,,,,,  
43,3,,172141-77250,, ROLLER,1,1,,,,,,,,,,,,,  
44,3,,172141-77260,, "VALVE DRIVE",1,1,,,,,,,,,,,,,  
45,1,,22217-120000,, "WASHER  
12,SPRING",4,4,,,,,Z,,72183054,M31274,72183054,M31274,,,,,,I  
46,1,,26116-120402,, "BOLT M12X 40",4,4,,,,,,,,,,,,,  
46-1,1,,26013-120402,, "BOLT M12X  
40",4,4,,,,,S,,72183054,M31274,72183054,M31274,,,,,,I

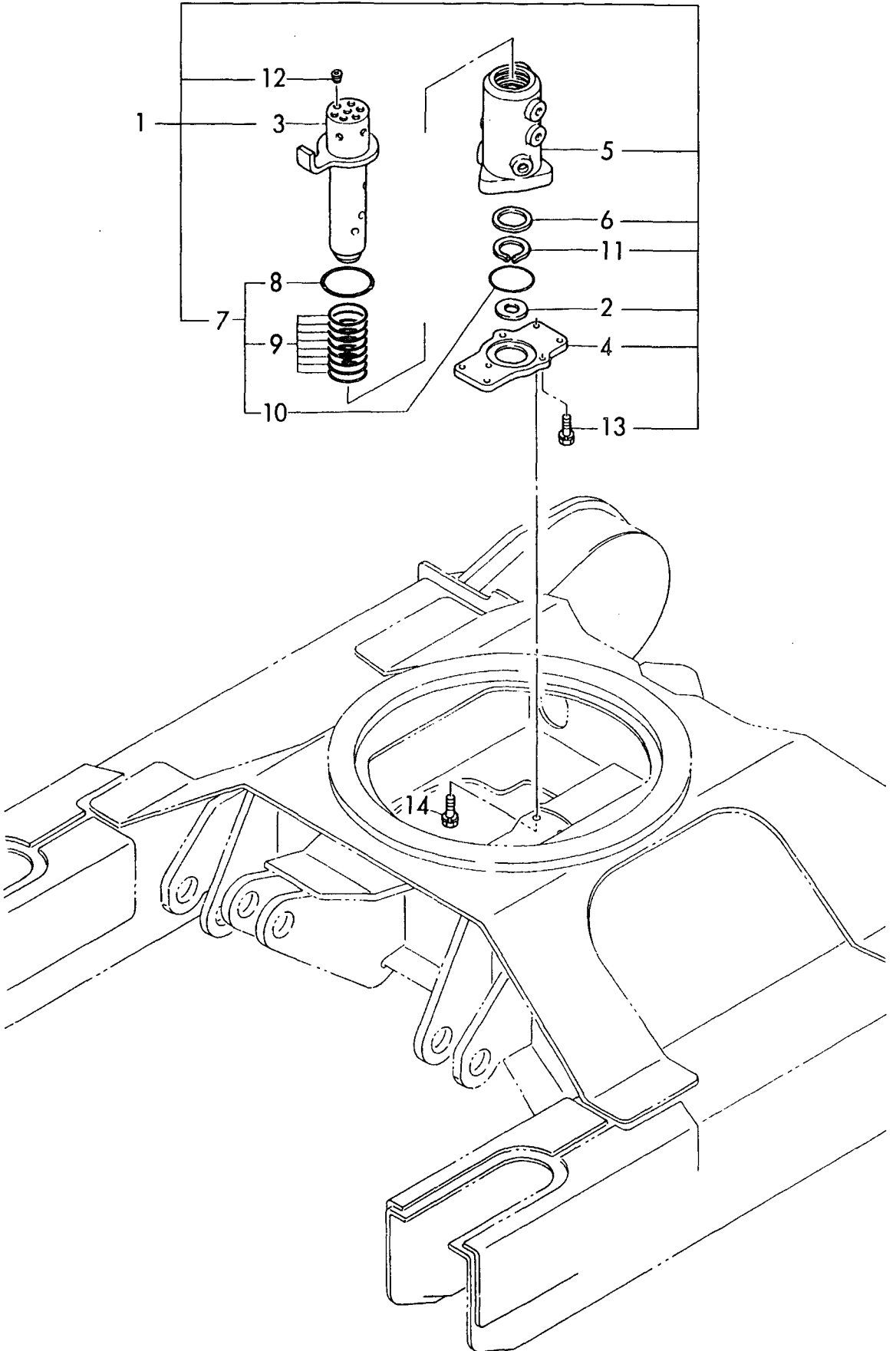
Fig. 37 TURNING MOTOR

2 inc. 3 ~ 12  
13 inc. 14 ~ 44



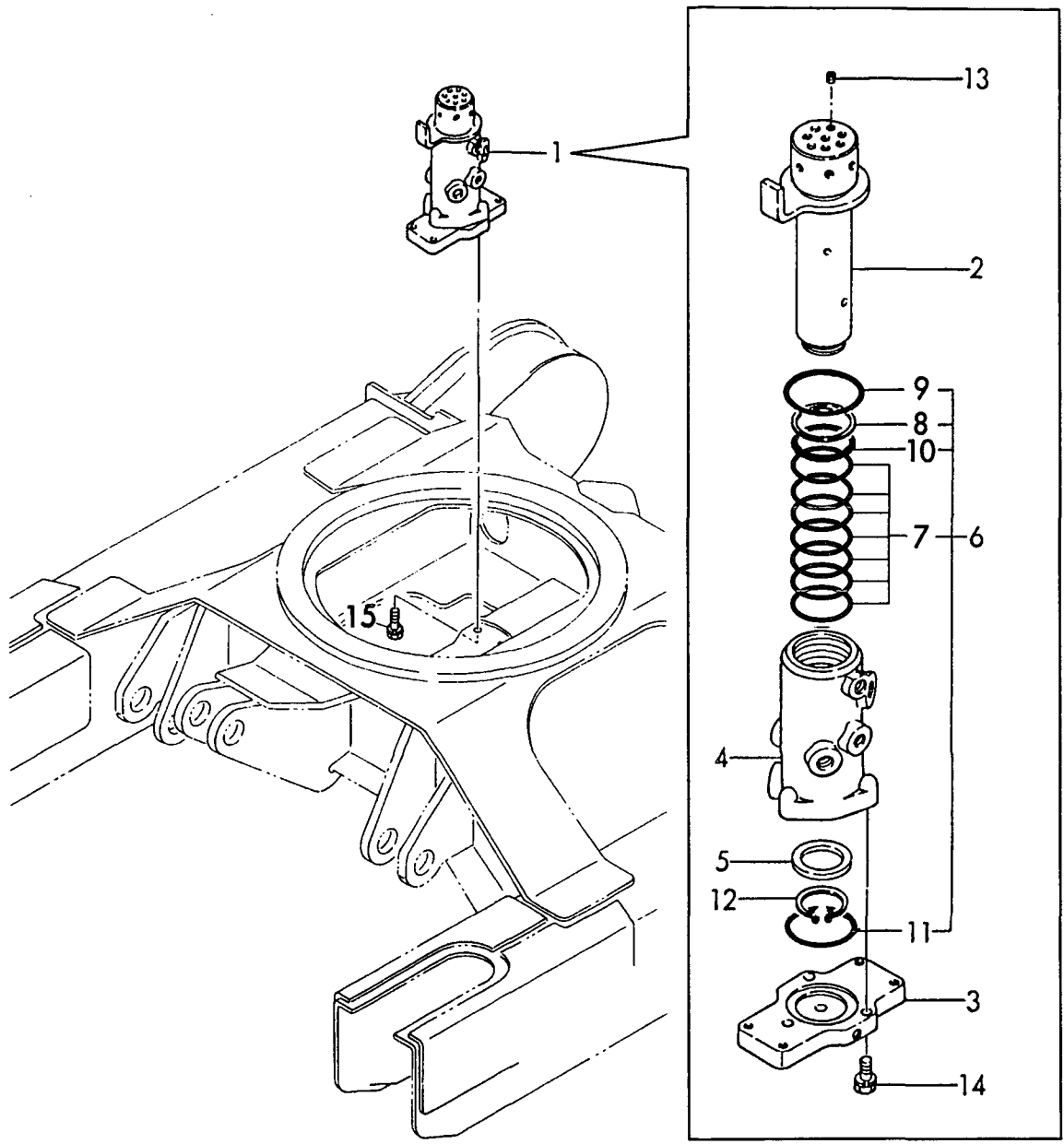
1,1,,172141-73800,, "JOINT, SWIVEL",1,1,,,,,,,,,,,,,,,,,  
2,2,,194630-31910,, "LINER 22.5X40X2",1,1,,,,,,,,,,,,,,,,,  
3,2,,172141-73810,, "SHAFT, SWIVEL",1,1,,,,,,,,,,,,,,,,,  
4,2,,172131-73830,, "FLANGE, SWIVEL",1,1,,,,,,,,,,,,,,,,,  
5,2,,172141-73830,, "HUB, SWIVEL",1,1,,,,,,,,,,,,,,,,,  
6,2,,172137-73860,, "SPACER, SWIVEL",1,1,,,,,,,,,,,,,,,,,  
7,2,,172141-73890,, "SEAL SET, SWIVEL",1,1,,,,,,,,,,,,,,,,,  
8,3,,24311-000750,, "O-RING 1A P-75.0",1,1,,,,,,,,,,,,,,,,,  
9,3,,172142-73800,, "O-RING 55.76X5.7",8,8,,,,,,,,,,,,,,,,,  
10,3,,24321-000700,, "O-RING 1A G-70.0",1,1,,,,,,,,,,,,,,,,,  
11,2,,22242-000451,, "CIRCLIP 45",1,1,,,,,,,,,,,,,,,,,  
12,2,,23871-020000,, "PLUG PT1/4, SCREW",6,6,,,,,,,,,,,,,,,,,  
13,2,,26013-100252,, "BOLT W/WASHER M10X25",3,3,,,,,,,,,,,,,,,,,  
14,1,,26013-100302,, "BOLT M10X 30",4,4,,,,,,,,,,,,,,,,,

Fig. **38** SWIVEL JOINT (SING SPEED) (PREVIOUS)



1,1,,172148-73800,, "JOINT, SEIVEL",1,1,,,,,,,,,,,,,  
1-1,1,,172168-73800,, "JOINT  
COMP.,SWIVEL",1,1,,,,,N,,72168191,M30891,72168191,M30891,,,,,,,,,I  
2,2,,172148-73810,, "SHAFT, SWIVEL",1,1,,,,,,,,,,,,,  
3,2,,172148-73830,, "FLANGE, SWIVEL",1,1,,,,,,,,,,,,,  
4,2,,172148-73840,, "HUB, SWIVEL",1,1,,,,,,,,,,,,,  
5,2,,172137-73860,, "SPACER, SWIVEL",1,1,,,,,,,,,,,,,  
6,2,,172148-73880,, "SEAL KIT, SWIVEL",1,1,,,,,,,,,,,,,  
6-1,2,,172168-73880,, "SEAL SET,  
SWIVEL",1,1,,,,,N,,72168191,M30891,72168191,M30891,,,,,,,,,I  
7,3,,172148-73860,, "SEAL STK",7,7,,,,,,,,,,,,,  
7-1,3,,172142-73800,, "O-RING  
55.76X5.7",7,7,,,,,N,,72168191,M30891,72168191,M30891,,,,,,,,,I  
8,3,,172148-73870,, "LING EL, BUCK UP",1,1,,,,,,,,,,,,,  
9,3,,24311-000750,, "O-RING 1A P-75.0",1,1,,,,,,,,,,,,,  
10,3,,172142-73800,, "O-RING 55.76X5.7",1,1,,,,,,,,,,,,,  
11,3,,24321-000700,, "O-RING 1A G-70.0",1,1,,,,,,,,,,,,,  
12,2,,22242-000451,, "CIRCLIP 45",1,1,,,,,,,,,,,,,  
13,2,,23871-020000,, "PLUG PT1/4,SCREW",7,7,,,,,,,,,,,,,  
14,2,,26013-100352,, "BOLT M10X 35",3,3,,,,,,,,,,,,,  
15,1,,26013-100302,, "BOLT M10X 30",4,4,,,,,,,,,,,,,

Fig. 39 SWIVEL JOINT (DOUBLE SPEED) (NEW)



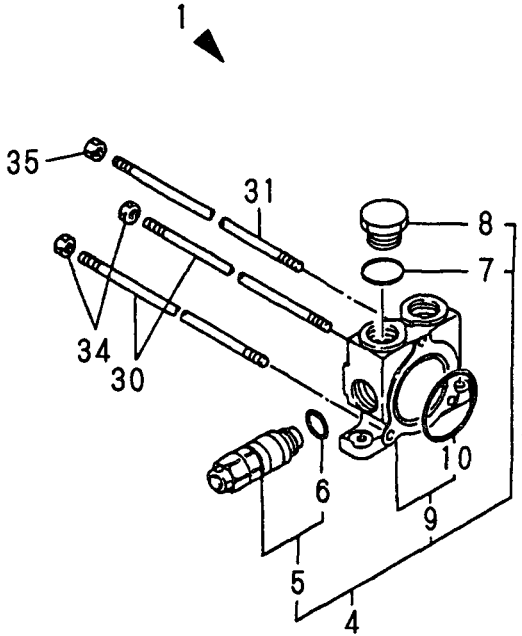
1,1,,172171-74120,, "VALVE ASSY,CONTROL",1,1,,,,,,,,,,,,,  
2,2,,172112-06480,, PLUG,2,2,,,,,,,,,,,,,  
3,2,,172112-06490,, O-RING,2,2,,,,,,,,,,,,,  
4,2,,172171-72500,, "SECTION KIT,INLET",1,1,,,,,,,,,,,,,  
5,3,,172171-72630,, "VALVE 175/25,RELIEF",1,1,,,,,,,,,,,,,  
6,4,,172116-74150,, O-RING,1,1,,,,,,,,,,,,,  
7,3,,172116-74150,, O-RING,1,1,,,,,,,,,,,,,  
8,3,,172116-74320,, PLUG,1,1,,,,,,,,,,,,,  
9,3,,172122-74520,, "SECTION, INLET",1,1,,,,,,,,,,,,,  
10,4,,933171-80590,, O-RING,1,1,,,,,,,,,,,,,  
11,2,,172171-72510,, "SECTION KIT,INLET",1,1,,,,,,,,,,,,,  
12,3,,172171-72640,, "VALVE 160/24,RELIEF",1,1,,,,,,,,,,,,,  
13,4,,172116-74150,, O-RING,1,1,,,,,,,,,,,,,  
14,3,,172122-74520,, "SECTION, INLET",1,1,,,,,,,,,,,,,  
15,4,,933171-80590,, O-RING,1,1,,,,,,,,,,,,,  
16,2,,172168-72620,, "SECTION ASSY.,SPACER",1,1,,,,,,,,,,,,,  
17,3,,172122-73430,, PLUG,1,1,,,,,,,,,,,,,  
18,3,,172142-74900,, SPACER,1,1,,,,,,,,,,,,,  
19,2,,172171-72700,, "SECTION KIT,SPACER",1,1,,,,,,,,,,,,,  
20,3,,172171-72630,, "VALVE 175/25,RELIEF",1,1,,,,,,,,,,,,,  
21,4,,172116-74150,, O-RING,1,1,,,,,,,,,,,,,  
22,3,,172146-74680,, "SECTION ASSY, SPACER",1,1,,,,,,,,,,,,,  
23,4,,172122-73430,, PLUG,1,1,,,,,,,,,,,,,  
25,4,,23871-030000,, "PLUG PT3/8,SCREW",1,1,,,,,,,,,,,,,  
26,4,,933171-80590,, O-RING,1,1,,,,,,,,,,,,,  
27,3,,172146-74720,, "VALVE ASSY, SHUT-OFF",1,1,,,,,,,,,,,,,  
28,4,,172116-74150,, O-RING,1,1,,,,,,,,,,,,,  
29,4,,24311-240100,, "O-RING 1A P-10A",1,1,,,,,,,,,,,,,  
30,2,,172151-74110,, TIE-ROD,2,2,,,,,,,,,,,,,  
31,2,,172151-74120,, TIE-ROD,1,1,,,,,,,,,,,,,  
32,2,,172116-74150,, O-RING,1,1,,,,,,,,,,,,,  
33,2,,172116-74320,, PLUG,1,1,,,,,,,,,,,,,  
34,2,,26716-080002,, "NUT M 8",4,4,,,,,,,,,,,,,  
35,2,,26716-100002,, "NUT M10",2,2,,,,,,,,,,,,,  
36,1,,172168-45400,, "PLATE ASSY, LINK",1,1,,,,,,,,,,,,,  
37,1,,172165-45490,, CUSHION,5,5,,,,,,,,,,,,,  
38,1,,22252-000280,, "CIRCLIP 28",5,5,,,,,,,,,,,,,  
39,1,,26106-100352,, "BOLT M10X 35 PLATED",5,5,,,,,,,,,,,,,  
40,1,,26013-100302,, "BOLT M10X 30",3,3,,,,,,,,,,,,,  
41,1,,26716-100002,, "NUT M10",1,1,,,,,,,,,,,,,



# Fig. 40 CONTROL VALVE (P PORT & VALVE STAND)

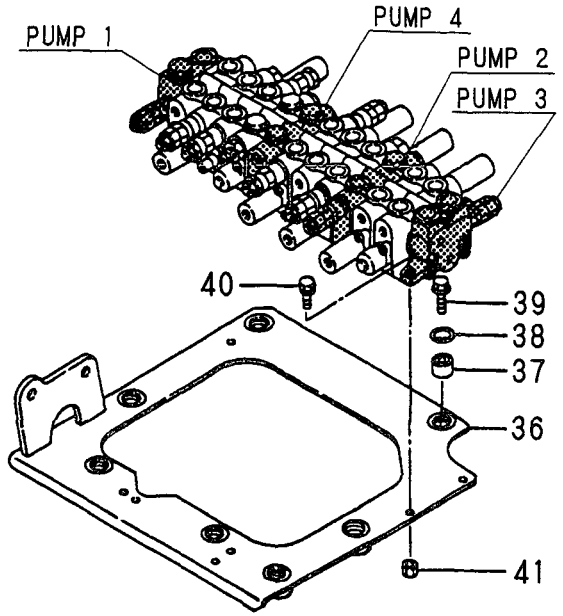
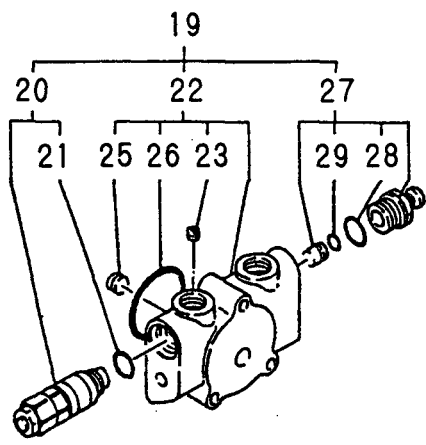
コントロールバルブASSY  
CONTROL VALVE ASSY  
(172171-74120)

- FIG. 40 REF. No. 1  
INC. FIG. 40 REF. No. 2 ~ 35  
FIG. 41 REF. No. 1 ~ 38  
FIG. 42 REF. No. 1 ~ 37  
FIG. 43 REF. No. 1 ~ 34  
FIG. 44 REF. No. 1 ~ 25

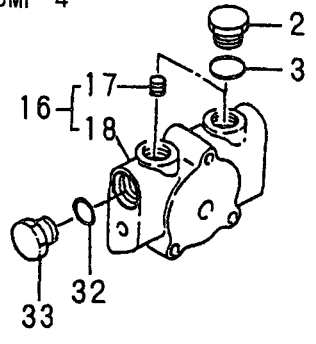


PUMP 1

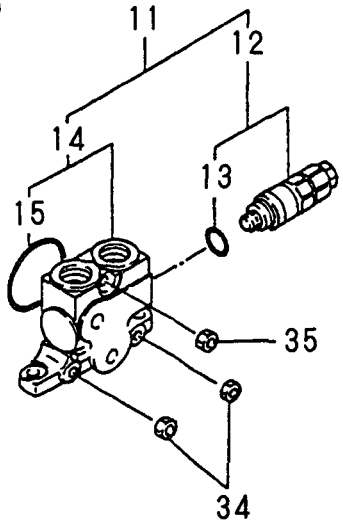
PUMP 2



PUMP 4



PUMP 3



1,2,,172171-72580,,U-NUT,1,1,,,,,,,,,,,,,  
2,3,,172122-74050,,SPRING,1,1,,,,,,,,,,,,,  
3,3,,172116-74220,,SCREW,2,2,,,,,,,,,,,,,  
4,3,,933166-80520,,WIPER,2,2,,,,,,,,,,,,,  
5,3,,933166-80530,,CAP,1,1,,,,,,,,,,,,,  
6,3,,933166-80550,, "SCREW, CAP",1,1,,,,,,,,,,,,,  
7,3,,933171-80510,, "SEAT, SPRING",2,2,,,,,,,,,,,,,  
8,3,,933171-80590,,O-RING,1,1,,,,,,,,,,,,,  
9,3,,933171-80610,,O-RING,2,2,,,,,,,,,,,,,  
10,3,,172151-74060,, "BOLT, SOCKET HEAD",2,2,,,,,,,,,,,,,  
11,3,,172116-74190,, "PLATE, SEAL",2,2,,,,,,,,,,,,,  
12,2,,172171-72610,, "SECTION ASSY., SPOOL",1,1,,,,,,,,,,,,,  
13,3,,172122-74050,,SPRING,1,1,,,,,,,,,,,,,  
14,3,,172116-74220,,SCREW,2,2,,,,,,,,,,,,,  
15,3,,933166-80520,,WIPER,2,2,,,,,,,,,,,,,  
16,3,,933166-80530,,CAP,1,1,,,,,,,,,,,,,  
17,3,,933166-80550,, "SCREW, CAP",1,1,,,,,,,,,,,,,  
18,3,,933171-80510,, "SEAT, SPRING",2,2,,,,,,,,,,,,,  
19,3,,933171-80590,,O-RING,1,1,,,,,,,,,,,,,  
20,3,,933171-80610,,O-RING,2,2,,,,,,,,,,,,,  
21,3,,172151-74060,, "BOLT, SOCKET HEAD",2,2,,,,,,,,,,,,,  
22,3,,172116-74190,, "PLATE, SEAL",2,2,,,,,,,,,,,,,  
23,2,,172168-72610,, "SECTION ASSY, SPOOL",1,1,,,,,,,,,,,,,  
24,3,,172168-72750,, "SPRING,CHECK VALVE",1,1,,,,,,,,,,,,,  
25,3,,172168-72760,, "SPRING, SPOOL",1,1,,,,,,,,,,,,,  
26,3,,172151-74060,, "BOLT, SOCKET HEAD",2,2,,,,,,,,,,,,,  
27,3,,172122-74130,,POPPET,1,1,,,,,,,,,,,,,  
28,3,,172116-74190,, "PLATE, SEAL",2,2,,,,,,,,,,,,,  
29,3,,172116-74220,,SCREW,2,2,,,,,,,,,,,,,  
30,3,,933166-80520,,WIPER,2,2,,,,,,,,,,,,,  
31,3,,933166-80530,,CAP,1,1,,,,,,,,,,,,,  
32,3,,933166-80550,, "SCREW, CAP",1,1,,,,,,,,,,,,,  
33,3,,933171-80510,, "SEAT, SPRING",2,2,,,,,,,,,,,,,  
34,3,,933171-80590,,O-RING,1,1,,,,,,,,,,,,,  
35,3,,933171-80610,,O-RING,2,2,,,,,,,,,,,,,  
36,2,,172146-74720,, "VALVE ASSY, SHUT-OFF",2,2,,,,,,,,,,,,,  
37,3,,172116-74150,,O-RING,2,2,,,,,,,,,,,,,  
38,3,,24311-240100,, "O-RING 1A P-10A",2,2,,,,,,,,,,,,,

# Fig. 41 CONTROL VALVE (TRAVEL & P.T.O.)

コントロールバルブ ASSY  
CONTROL VALVE ASSY  
(172171-74120)

FIG. 40 REF. No. 1

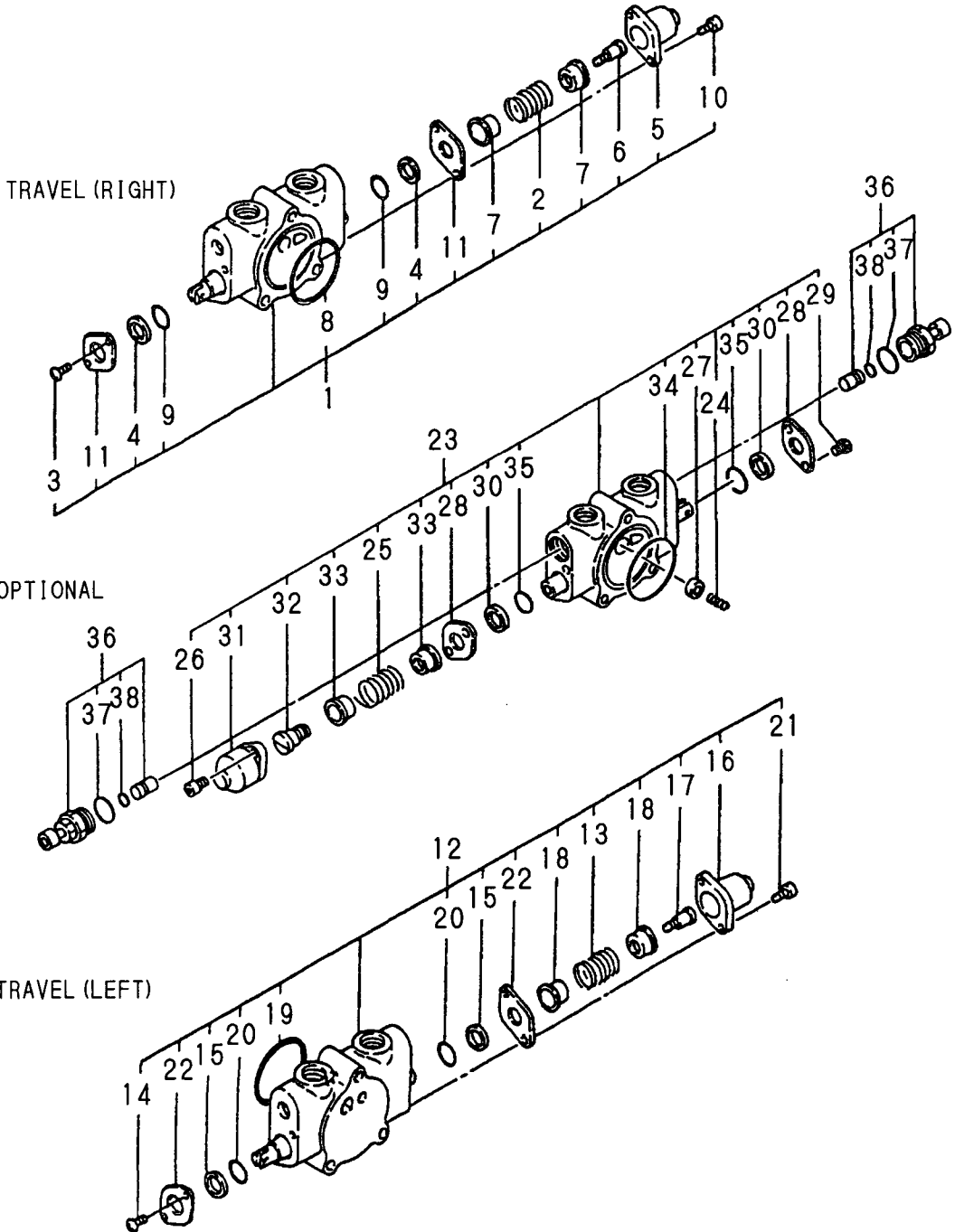
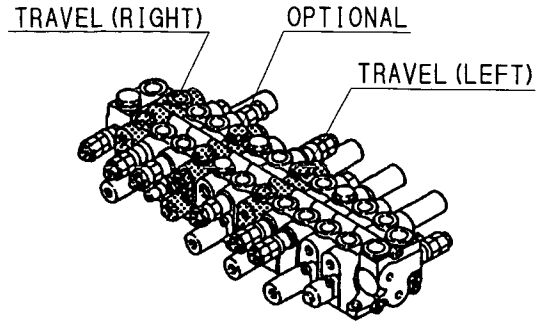
INC. FIG. 40 REF. No. 2 ~ 35

FIG. 41 REF. No. 1 ~ 38

FIG. 42 REF. No. 1 ~ 37

FIG. 43 REF. No. 1 ~ 34

FIG. 44 REF. No. 1 ~ 25

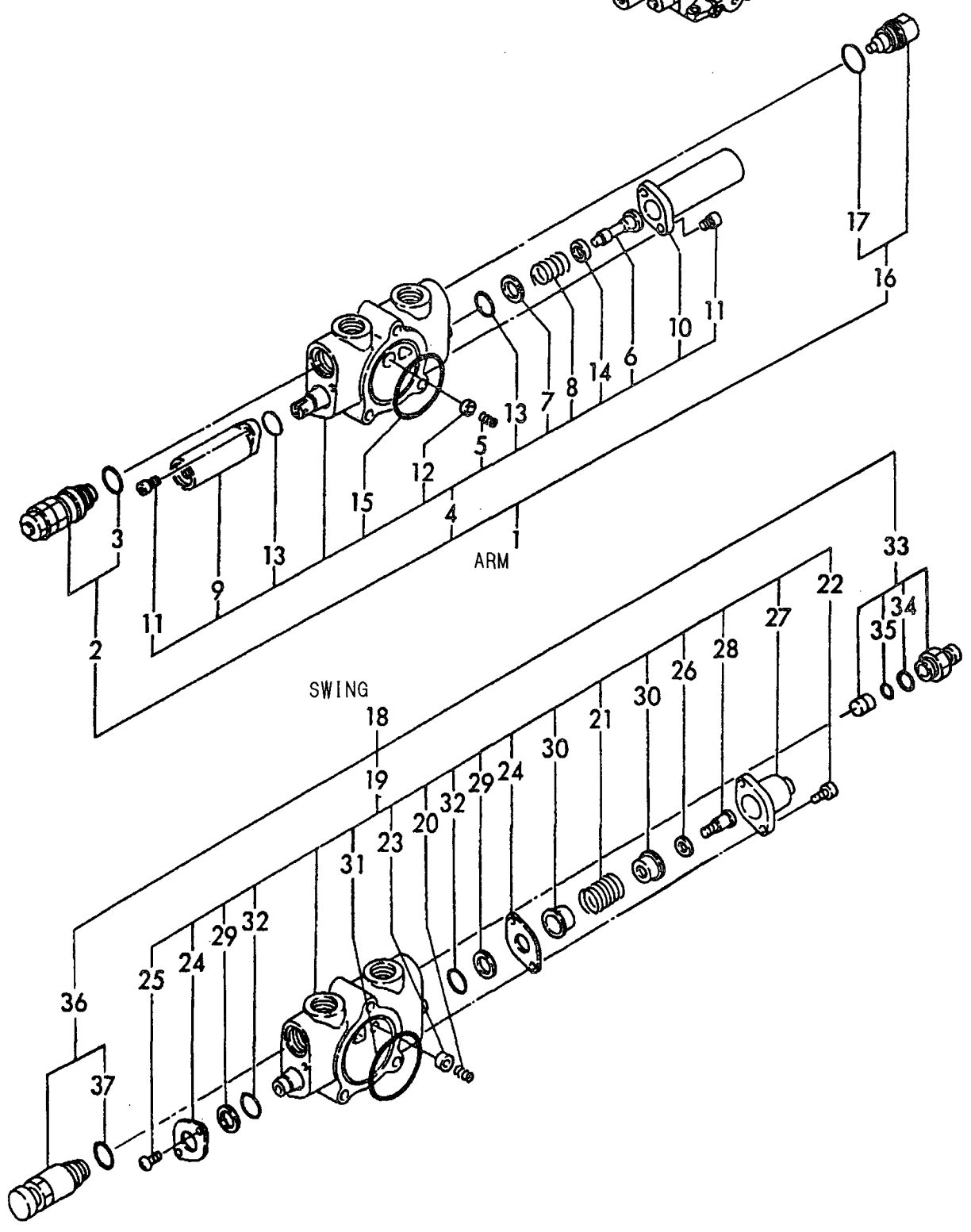
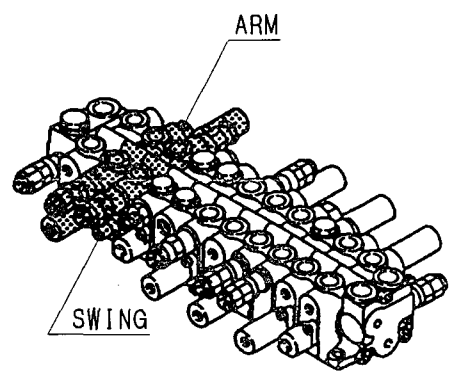


1,2,,172171-72670,, "SECTION KIT, SPOOL",1,1,,,,,,,,,,,,,  
2,3,,172171-72660,, "VALVE 210/25,RELIEF",1,1,,,,,,,,,,,,,  
3,4,,172116-74150,, O-RING,1,1,,,,,,,,,,,,,  
4,3,,172168-72800,, "SECTION ASSY.,SPOOL",1,1,,,,,,,,,,,,,  
5,4,,172168-72750,, "SPRING,CHECK VALVE",1,1,,,,,,,,,,,,,  
6,4,,172168-72850,, "END, SPOOL",1,1,,,,,,,,,,,,,  
7,4,,172168-72860,, "SEAT,SPRING",1,1,,,,,,,,,,,,,  
8,4,,172168-72880,, SPRING,1,1,,,,,,,,,,,,,  
9,4,,172168-72890,, CAP,1,1,,,,,,,,,,,,,  
10,4,,172168-72900,, CAP,1,1,,,,,,,,,,,,,  
11,4,,172151-74060,, "BOLT, SOCKET HEAD",4,4,,,,,,,,,,,,,  
12,4,,172122-74130,, POPPET,1,1,,,,,,,,,,,,,  
13,4,,172151-74320,, O-RING,2,2,,,,,,,,,,,,,  
14,4,,933171-80510,, "SEAT, SPRING",1,1,,,,,,,,,,,,,  
15,4,,933171-80590,, O-RING,1,1,,,,,,,,,,,,,  
16,3,,172310-79180,, VALVE,1,1,,,,,,,,,,,,,  
17,4,,172116-74150,, O-RING,1,1,,,,,,,,,,,,,  
18,2,,172171-72530,, "SECTION KIT, SPOOL",1,1,,,,,,,,,,,,,  
19,3,,172171-72590,, "SECTION ASSY.,SPOOL",1,1,,,,,,,,,,,,,  
20,4,,172168-72750,, "SPRING,CHECK VALVE",1,1,,,,,,,,,,,,,  
21,4,,172122-74050,, SPRING,1,1,,,,,,,,,,,,,  
22,4,,172151-74060,, "BOLT, SOCKET HEAD",2,2,,,,,,,,,,,,,  
23,4,,172122-74130,, POPPET,1,1,,,,,,,,,,,,,  
24,4,,172116-74190,, "PLATE, SEAL",2,2,,,,,,,,,,,,,  
25,4,,172116-74220,, SCREW,2,2,,,,,,,,,,,,,  
26,4,,172146-74740,, WASHER,1,1,,,,,,,,,,,,,  
27,4,,933166-80530,, CAP,1,1,,,,,,,,,,,,,  
28,4,,933166-80550,, "SCREW, CAP",1,1,,,,,,,,,,,,,  
29,4,,933166-80520,, WIPER,2,2,,,,,,,,,,,,,  
30,4,,933171-80510,, "SEAT, SPRING",2,2,,,,,,,,,,,,,  
31,4,,933171-80590,, O-RING,1,1,,,,,,,,,,,,,  
32,4,,933171-80610,, O-RING,2,2,,,,,,,,,,,,,  
33,3,,172146-74720,, "VALVE ASSY, SHUT-OFF",1,1,,,,,,,,,,,,,  
34,4,,172116-74150,, O-RING,1,1,,,,,,,,,,,,,  
35,4,,24311-240100,, "O-RING 1A P-10A",1,1,,,,,,,,,,,,,  
36,3,,172146-74730,, "VALVE ASSY",1,1,,,,,,,,,,,,,  
37,4,,172116-74150,, O-RING,1,1,,,,,,,,,,,,,

# Fig. 42 CONTROL VALVE (ARM & SWING)

コントロールバルブASSY  
CONTROL VALVE ASSY  
(172171-74120)

- FIG. 40 REF. No. 1  
INC. FIG. 40 REF. No. 2 ~ 35  
FIG. 41 REF. No. 1 ~ 38  
FIG. 42 REF. No. 1 ~ 37  
FIG. 43 REF. No. 1 ~ 34  
FIG. 44 REF. No. 1 ~ 25



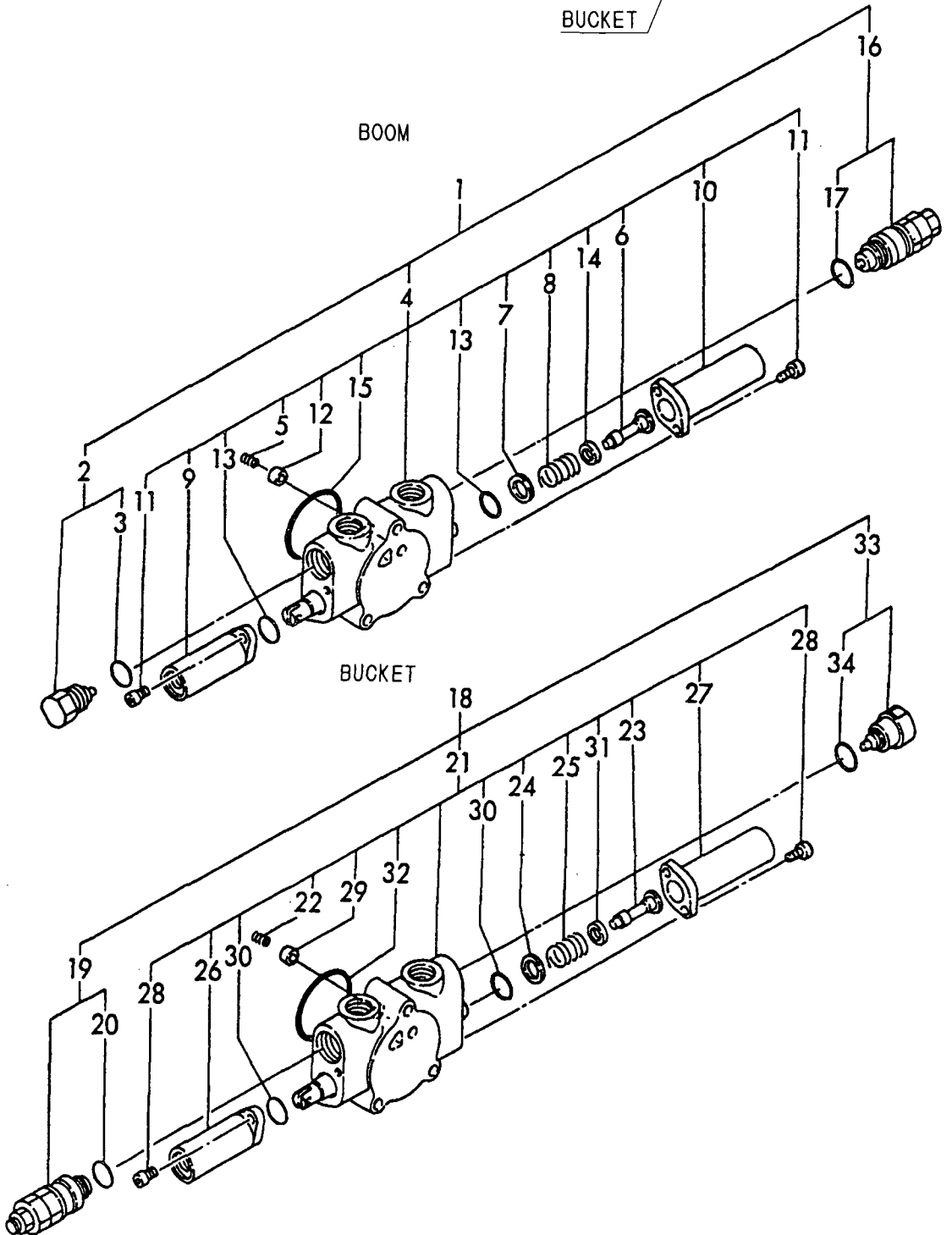
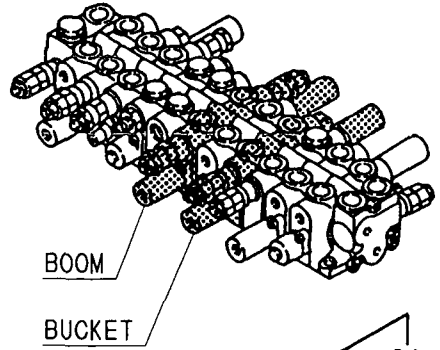
1,2,,172171-72680,, "SECTION KIT, SPOOL",1,1,,,,,,,,,,,,,  
2,3,,172310-79180,, VALVE,1,1,,,,,,,,,,,,,  
3,4,,172116-74150,, O-RING,1,1,,,,,,,,,,,,,  
4,3,,172171-72690,, "SECTION ASSY., SPOOL",1,1,,,,,,,,,,,,,  
5,4,,172168-72750,, "SPRING,CHECK VALVE",1,1,,,,,,,,,,,,,  
6,4,,172168-72850,, "END, SPOOL",1,1,,,,,,,,,,,,,  
7,4,,172168-72860,, "SEAT,SPRING",1,1,,,,,,,,,,,,,  
8,4,,172168-72880,, SPRING,1,1,,,,,,,,,,,,,  
9,4,,172168-72890,, CAP,1,1,,,,,,,,,,,,,  
10,4,,172168-72900,, CAP,1,1,,,,,,,,,,,,,  
11,4,,172151-74060,, "BOLT, SOCKET HEAD",4,4,,,,,,,,,,,,,  
12,4,,172122-74130,, POPPET,1,1,,,,,,,,,,,,,  
13,4,,172151-74320,, O-RING,2,2,,,,,,,,,,,,,  
14,4,,933171-80510,, "SEAT, SPRING",1,1,,,,,,,,,,,,,  
15,4,,933171-80590,, O-RING,1,1,,,,,,,,,,,,,  
16,3,,172171-72650,, "VALVE 210/25,RELIEF",1,1,,,,,,,,,,,,,  
17,4,,172116-74150,, O-RING,1,1,,,,,,,,,,,,,  
18,2,,172168-72790,, "SECTION KIT, SPOOL",1,1,,,,,,,,,,,,,  
19,3,,172168-72730,, "VALVE 260/33,RELIEF",1,1,,,,,,,,,,,,,  
20,4,,172116-74150,, O-RING,1,1,,,,,,,,,,,,,  
21,3,,172168-72820,, "SECTION ASSY., SPOOL",1,1,,,,,,,,,,,,,  
22,4,,172168-72750,, "SPRING,CHECK VALVE",1,1,,,,,,,,,,,,,  
23,4,,172168-72850,, "END, SPOOL",1,1,,,,,,,,,,,,,  
24,4,,172168-72860,, "SEAT,SPRING",1,1,,,,,,,,,,,,,  
25,4,,172168-72880,, SPRING,1,1,,,,,,,,,,,,,  
26,4,,172168-72890,, CAP,1,1,,,,,,,,,,,,,  
27,4,,172168-72900,, CAP,1,1,,,,,,,,,,,,,  
28,4,,172151-74060,, "BOLT, SOCKET HEAD",4,4,,,,,,,,,,,,,  
29,4,,172122-74130,, POPPET,1,1,,,,,,,,,,,,,  
30,4,,172151-74320,, O-RING,2,2,,,,,,,,,,,,,  
31,4,,933171-80510,, "SEAT, SPRING",1,1,,,,,,,,,,,,,  
32,4,,933171-80590,, O-RING,1,1,,,,,,,,,,,,,  
33,3,,172310-79180,, VALVE,1,1,,,,,,,,,,,,,  
34,4,,172116-74150,, O-RING,1,1,,,,,,,,,,,,,

# Fig. 43 CONTROL VALVE (BOOM & BUCKET)

コントロールバルブASSY  
CONTROL VALVE ASSY  
(172171-74120)

FIG. 40 REF. No. 1

- INC. FIG. 40 REF. No. 2 ~ 35
- FIG. 41 REF. No. 1 ~ 38
- FIG. 42 REF. No. 1 ~ 37
- FIG. 43 REF. No. 1 ~ 34
- FIG. 44 REF. No. 1 ~ 25



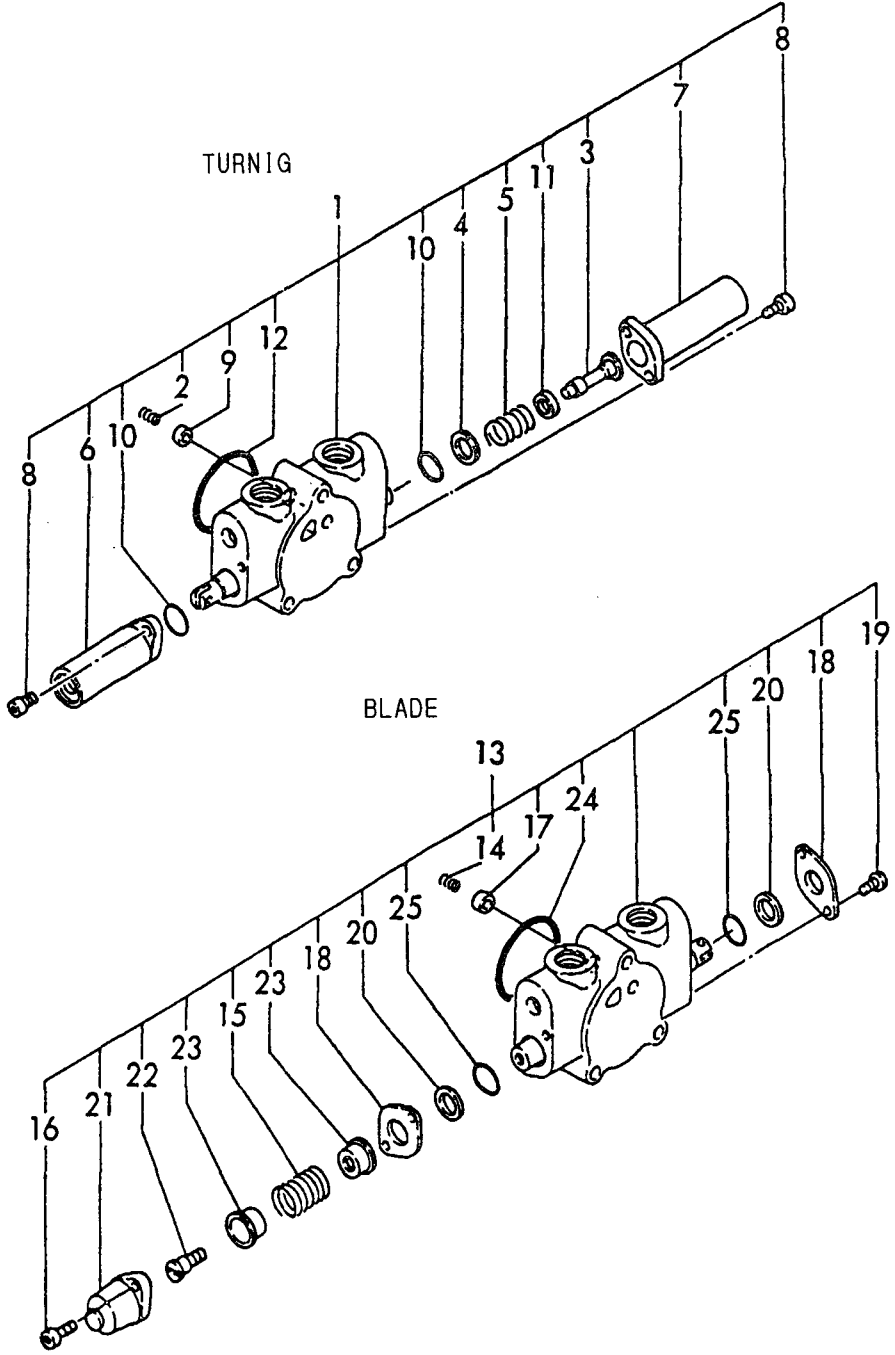
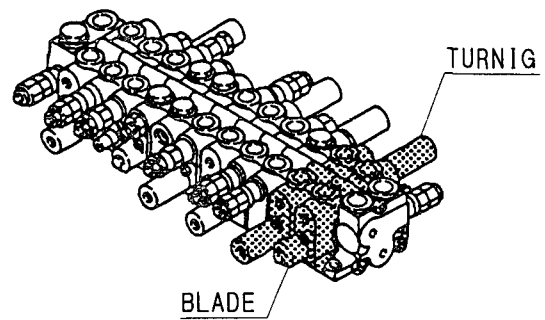
1,2,,172168-72830,, "SECTION KIT, SPOOL",1,1,,,,,,,,,,,,,  
2,3,,172168-72750,, "SPRING,CHECK VALVE",1,1,,,,,,,,,,,,,  
3,3,,172168-72850,, "END, SPOOL",1,1,,,,,,,,,,,,,  
4,3,,172168-72860,, "SEAT,SPRING",1,1,,,,,,,,,,,,,  
5,3,,172151-74340,, SPRING,1,1,,,,,,,,,,,,,  
6,3,,172168-72870,, CAP,1,1,,,,,,,,,,,,,  
7,3,,172168-72840,, "CAP, FILLER",1,1,,,,,,,,,,,,,  
8,3,,172151-74060,, "BOLT, SOCKET HEAD",4,4,,,,,,,,,,,,,  
9,3,,172122-74130,, POPPET,1,1,,,,,,,,,,,,,  
10,3,,172151-74320,, O-RING,2,2,,,,,,,,,,,,,  
11,3,,933171-80510,, "SEAT, SPRING",1,1,,,,,,,,,,,,,  
12,3,,933171-80590,, O-RING,1,1,,,,,,,,,,,,,  
13,2,,172171-72620,, "SECTION ASSY.,SPOOL",1,1,,,,,,,,,,,,,  
14,3,,172168-72750,, "SPRING,CHECK VALVE",1,1,,,,,,,,,,,,,  
15,3,,172122-74050,, SPRING,1,1,,,,,,,,,,,,,  
16,3,,172151-74060,, "BOLT, SOCKET HEAD",2,2,,,,,,,,,,,,,  
17,3,,172122-74130,, POPPET,1,1,,,,,,,,,,,,,  
18,3,,172116-74190,, "PLATE, SEAL",2,2,,,,,,,,,,,,,  
19,3,,172116-74220,, SCREW,2,2,,,,,,,,,,,,,  
20,3,,933166-80520,, WIPER,2,2,,,,,,,,,,,,,  
21,3,,933166-80530,, CAP,1,1,,,,,,,,,,,,,  
22,3,,933166-80550,, "SCREW, CAP",1,1,,,,,,,,,,,,,  
23,3,,933171-80510,, "SEAT, SPRING",2,2,,,,,,,,,,,,,  
24,3,,933171-80590,, O-RING,1,1,,,,,,,,,,,,,  
25,3,,933171-80610,, O-RING,2,2,,,,,,,,,,,,,



# Fig. 44 CONTROL VALVE (TURNING & BLADE)

コントロールバルブASSY  
 CONTROL VALVE ASSY  
 (172171-74120)

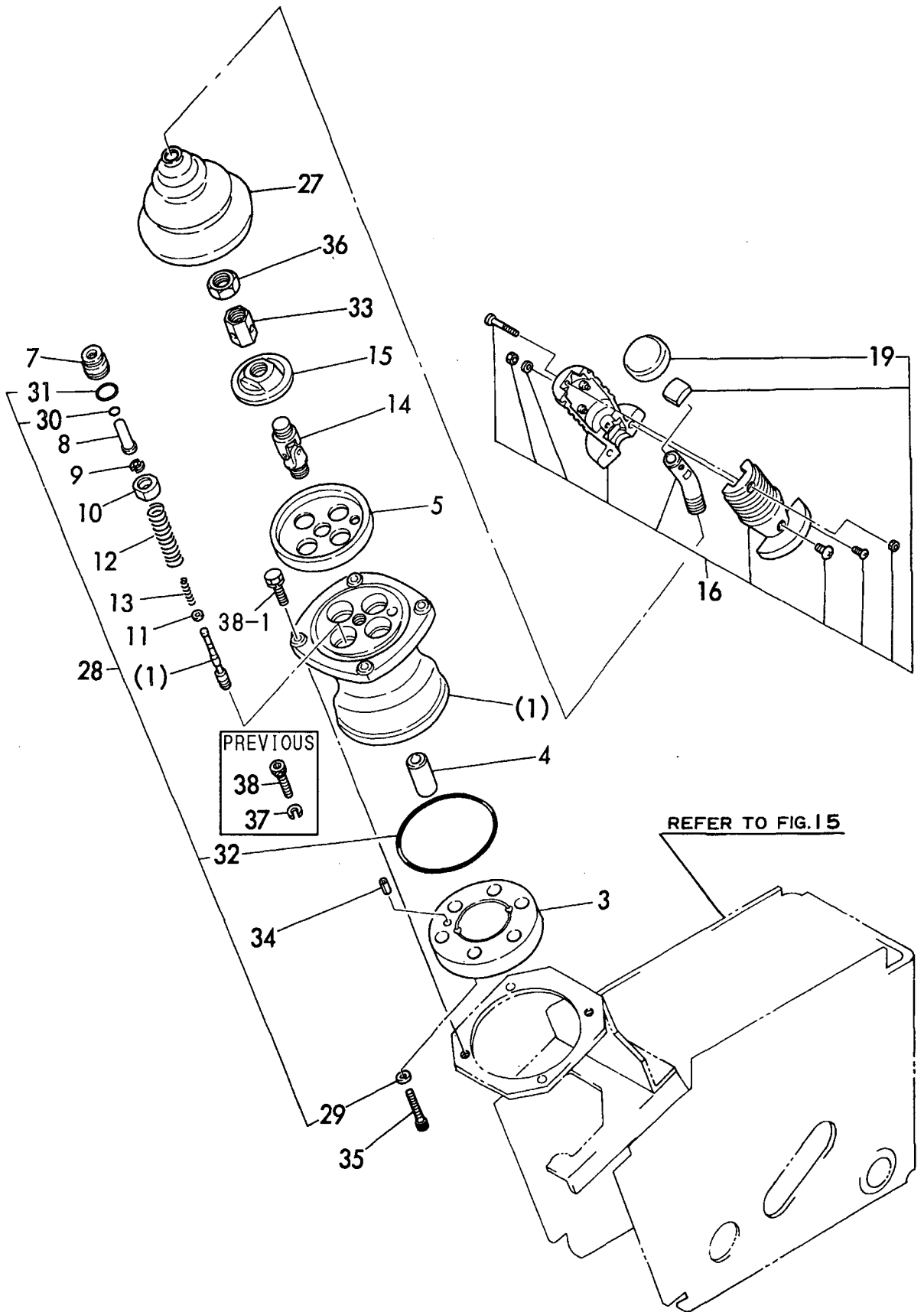
- FIG. 40 REF. No. 1  
 INC. FIG. 40 REF. No. 2 ~ 35  
 FIG. 41 REF. No. 1 ~ 38  
 FIG. 42 REF. No. 1 ~ 37  
 FIG. 43 REF. No. 1 ~ 34  
 FIG. 44 REF. No. 1 ~ 25



1,1,,172165-74300,, "JOY-STICK L.H.",1,1,,,,,,,,,,,,,  
3,2,,172151-73350,, "PLATE, PORT",1,1,,,,,,,,,,,,,  
4,2,,172151-73370,, BUSH,1,1,,,,,,,,,,,,,  
5,2,,172151-73380,, PLATE,1,1,,,,,,,,,,,,,  
7,2,,172151-73400,, PLUG,4,4,,,,,,,,,,,,,  
8,2,,172165-74320,, ROD,4,4,,,,,,,,,,,,,  
9,2,,172151-73430,, WASHER,8,8,,,,,,,,,,,,,  
10,2,,172151-73440,, RETAINER,4,4,,,,,,,,,,,,,  
11,2,,172151-73450,, WASHER,4,4,,,,,,,,,,,,,  
12,2,,172151-73460,, SPRING,4,4,,,,,,,,,,,,,  
13,2,,172165-74330,, SPRING,4,4,,,,,,,,,,,,,  
14,2,,172151-73480,, JOINT,1,1,,,,,,,,,,,,,  
15,2,,172151-73490,, PLATE,1,1,,,,,,,,,,,,,  
16,2,,172165-74340,, "HANDLE, SUB",1,1,,,,,,,,,,,,,  
19,3,,172151-73530,, "HANDLE, CAP",1,1,,,,,,,,,,,,,  
27,2,,172151-73620,, BELLOWS,1,1,,,,,,,,,,,,,  
28,2,,172151-73630,, "SEAL KIT, SUB",1,1,,,,,,,,,,,,,  
29,3,,172151-73360,, "SEAL WASHER",2,2,,,,,,,,,,,,,  
30,3,,172151-73420,, SEAL,4,4,,,,,,,,,,,,,  
31,3,,24315-000200,, "O-RING 1B P-20.0",4,4,,,,,,,,,,,,,  
32,3,,24341-000900,, "O-RING 1A S-90.0",1,1,,,,,,,,,,,,,  
33,2,,172151-73650,, "NUT, ADJUST",1,1,,,,,,,,,,,,,  
34,2,,22351-050010,, "SPRING PIN 5X10",1,1,,,,,,,,,,,,,  
35,2,,26450-080302,, "BOLT M 8X 30",2,2,,,,,,,,,,,,,  
36,2,,26756-140002,, "LOCK NUT M14 PLATED",1,1,,,,,,,,,,,,,  
37,1,,22217-060000,, "SPRING WASHER  
6",4,4,,,,,Z,,72165216,M30501,72165216,M30501,,,,,,,,,I  
38,1,,26450-060302,, "BOLT M 6X 30",4,4,,,,,,,,,,,,,  
38-1,1,,26013-060252,, "BOLT M 6X  
25",4,4,,,,,S,,72165216,M30501,72165216,M30501,,,,,,,,,I

Fig. 45 REMOTE CONTROL VALVE (LEFT)

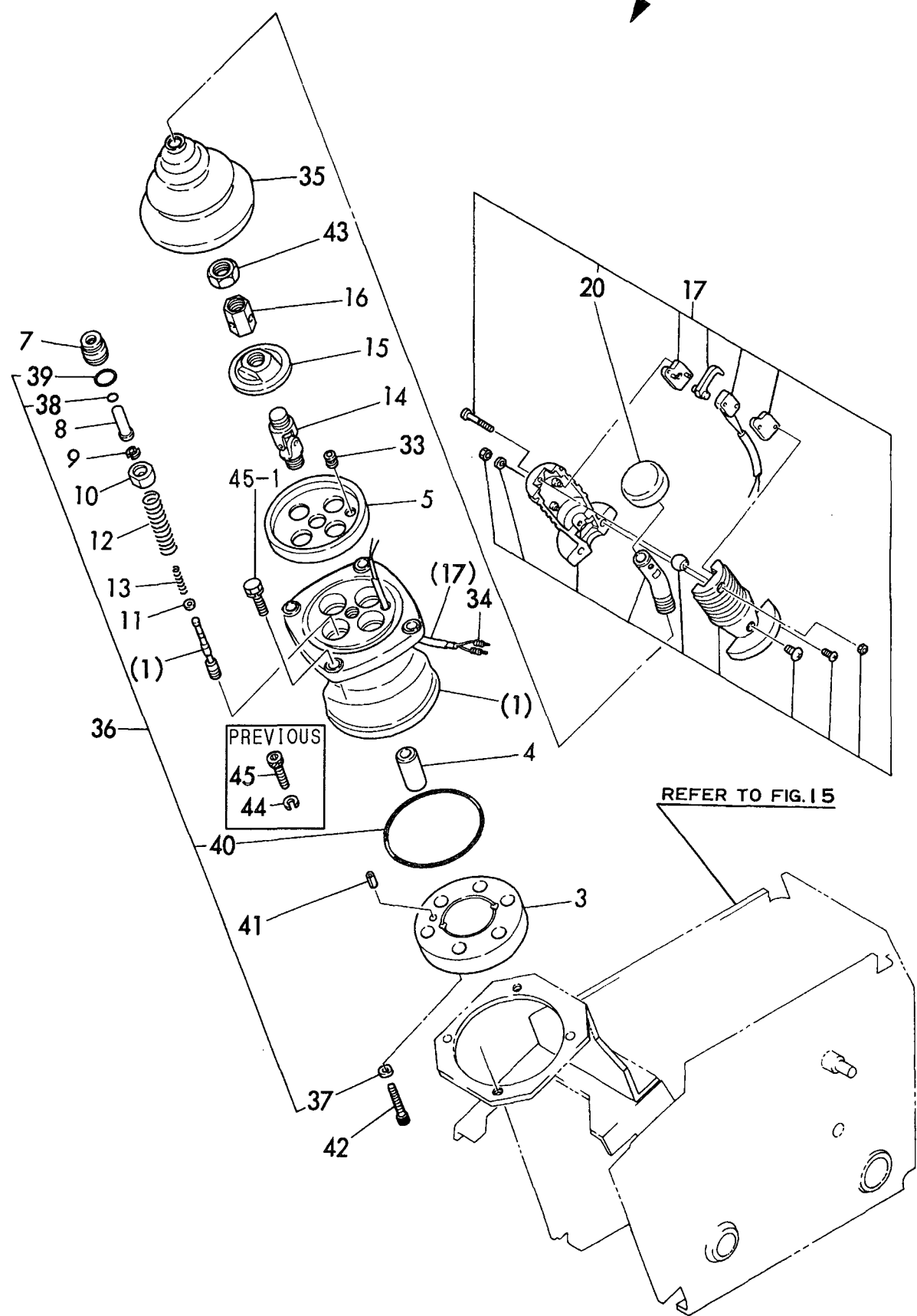
1 inc. (1) ~ 36



1,1,,172165-74310,, "JOY-STICK R.H.",1,1,,,,,,,,,,,,,  
3,2,,172151-73350,, "PLATE, PORT",1,1,,,,,,,,,,,,,  
4,2,,172151-73370,, BUSH,1,1,,,,,,,,,,,,,  
5,2,,172151-73380,, PLATE,1,1,,,,,,,,,,,,,  
7,2,,172151-73400,, PLUG,4,4,,,,,,,,,,,,,  
8,2,,172165-74320,, ROD,4,4,,,,,,,,,,,,,  
9,2,,172151-73430,, WASHER,8,8,,,,,,,,,,,,,  
10,2,,172151-73440,, RETAINER,4,4,,,,,,,,,,,,,  
11,2,,172151-73450,, WASHER,4,4,,,,,,,,,,,,,  
12,2,,172151-73460,, SPRING,4,4,,,,,,,,,,,,,  
13,2,,172165-74330,, SPRING,4,4,,,,,,,,,,,,,  
14,2,,172151-73480,, JOINT,1,1,,,,,,,,,,,,,  
15,2,,172151-73490,, PLATE,1,1,,,,,,,,,,,,,  
16,2,,172151-73500,, "NUT, ADJUST",1,1,,,,,,,,,,,,,  
17,2,,172165-74350,, "HANDLE, SUB",1,1,,,,,,,,,,,,,  
20,3,,172151-73530,, "HANDLE, CAP",1,1,,,,,,,,,,,,,  
33,2,,172151-73590,, BUSH,1,1,,,,,,,,,,,,,  
34,2,,172151-73610,, TERMINAL,2,2,,,,,,,,,,,,,  
35,2,,172151-73620,, BELLOWS,1,1,,,,,,,,,,,,,  
36,2,,172151-73630,, "SEAL KIT, SUB",1,1,,,,,,,,,,,,,  
37,3,,172151-73360,, "SEAL WASHER",2,2,,,,,,,,,,,,,  
38,3,,172151-73420,, SEAL,4,4,,,,,,,,,,,,,  
39,3,,24315-000200,, "O-RING 1B P-20.0",4,4,,,,,,,,,,,,,  
40,3,,24341-000900,, "O-RING 1A S-90.0",1,1,,,,,,,,,,,,,  
41,2,,22351-050010,, "SPRING PIN 5X10",1,1,,,,,,,,,,,,,  
42,2,,26450-080302,, "BOLT M 8X 30",2,2,,,,,,,,,,,,,  
43,2,,26756-140002,, "LOCK NUT M14 PLATED",1,1,,,,,,,,,,,,,  
44,1,,22217-060000,, "SPRING WASHER  
6",4,4,,,,,Z,,72165216,M30501,72165216,M30501,,,,,,,,,I  
45,1,,26450-060302,, "BOLT M 6X 30",4,4,,,,,,,,,,,,,  
45-1,1,,26013-060252,, "BOLT M 6X  
25",4,4,,,,,S,,72165216,M30501,72165216,M30501,,,,,,,,,I

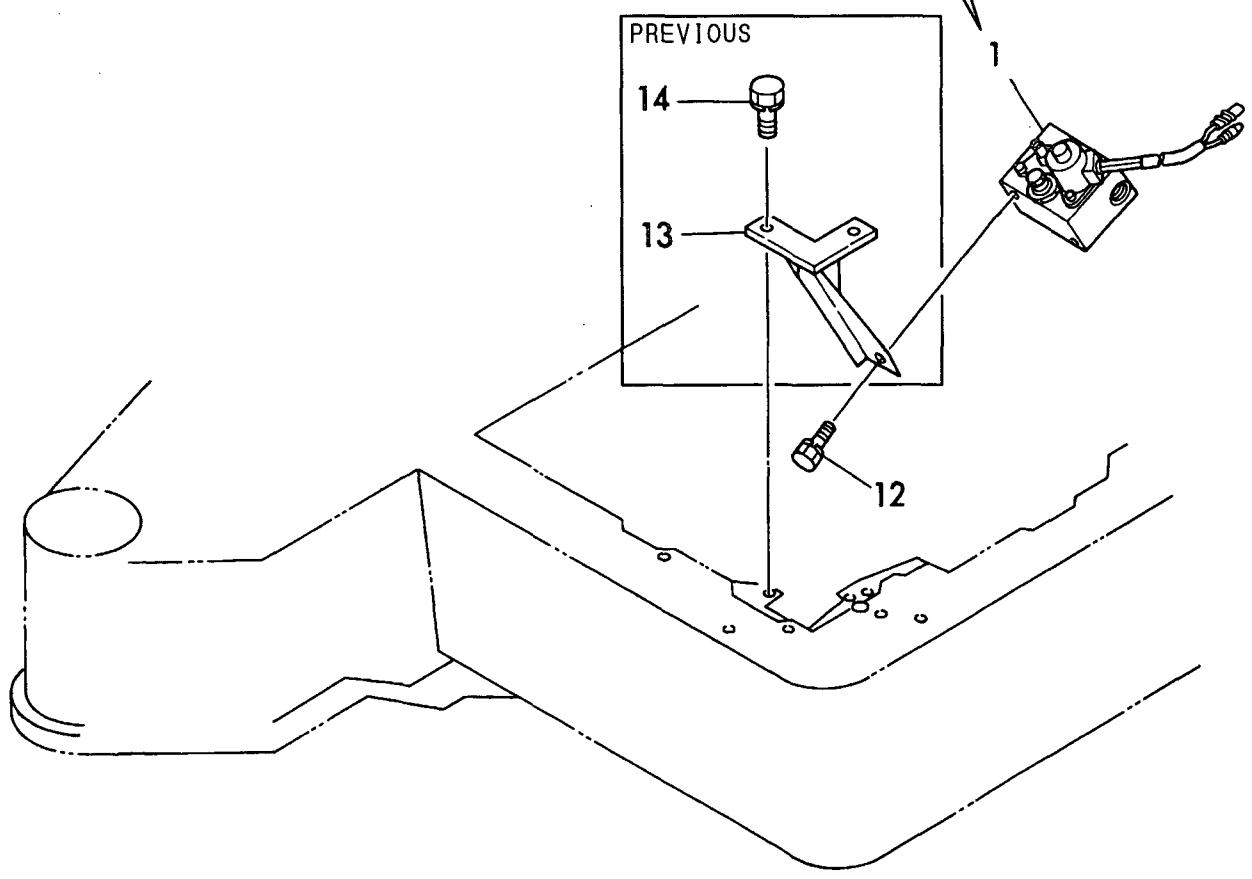
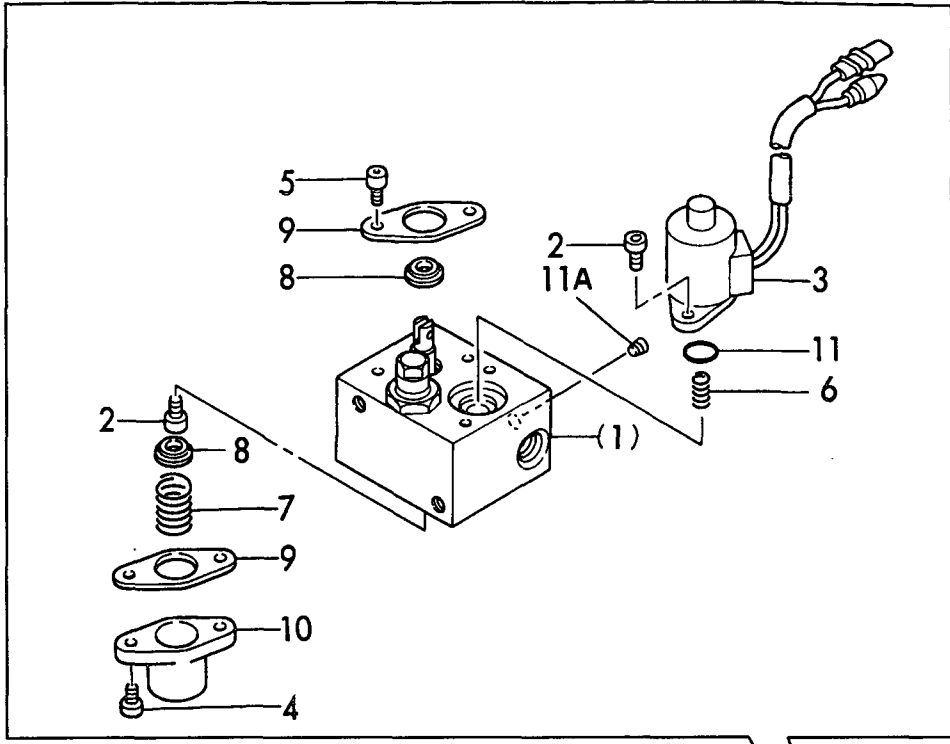
Fig. 46 REMOTE CONTROL VALVE (RIGHT)

1 inc. (1) ~ 43



1,1,,172165-74703,, "VALVE ASSY, LOW-HIGH",1,1,,,,,,,,,,,,,  
1-1,1,,172165-74704,, "VALVE ASSY, LOW-  
HIGH",1,1,,,,,N,,72165387,M31136,72165387,M31136,,,,,,  
2,2,,172151-74420,, "BOLT M 4X 10",3,3,,,,,,,,,,,,,  
3,2,,172165-74710,, SOLENOID,1,1,,,,,,,,,,,,,  
4,2,,172165-74720,, "BOLT M5X16,HEX.SCKT.",2,2,,,,,,,,,,,,,  
5,2,,172165-74730,, "BOLT M5X8,HEX.SCKT.",2,2,,,,,,,,,,,,,  
6,2,,172165-74740,, SPRING,1,1,,,,,,,,,,,,,  
7,2,,172165-74760,, SPRING,1,1,,,,,,,,,,,,,  
8,2,,172165-74770,, PACKING,2,2,,,,,,,,,,,,,  
9,2,,172165-74780,, PLATE,2,2,,,,,,,,,,,,,  
10,2,,172165-74790,, COVER,1,1,,,,,,,,,,,,,  
11,2,,24311-000160,, "O-RING 1A P-16.0",1,1,,,,,,,,,,,,,  
11A,2,,23871-010000,, "PLUG  
PT1/8,SCREW",1,1,,,,,W,,72165387,M31136,72165387,M31136,,,,,,  
12,1,,26013-080162,, "BOLT W/WASHER M8X16",2,2,,,,,,,,,,,,,  
13,1,,172171-45700,, "BRACKET  
COMPL.",1,1,,,,,Z,,72171036,M30753,72171036,M30753,,,,,,I  
14,1,,26013-100202,, "BOLT W/WASHER  
M10X20",2,2,,,,,Z,,72171036,M30753,72171036,M30753,,,,,,I

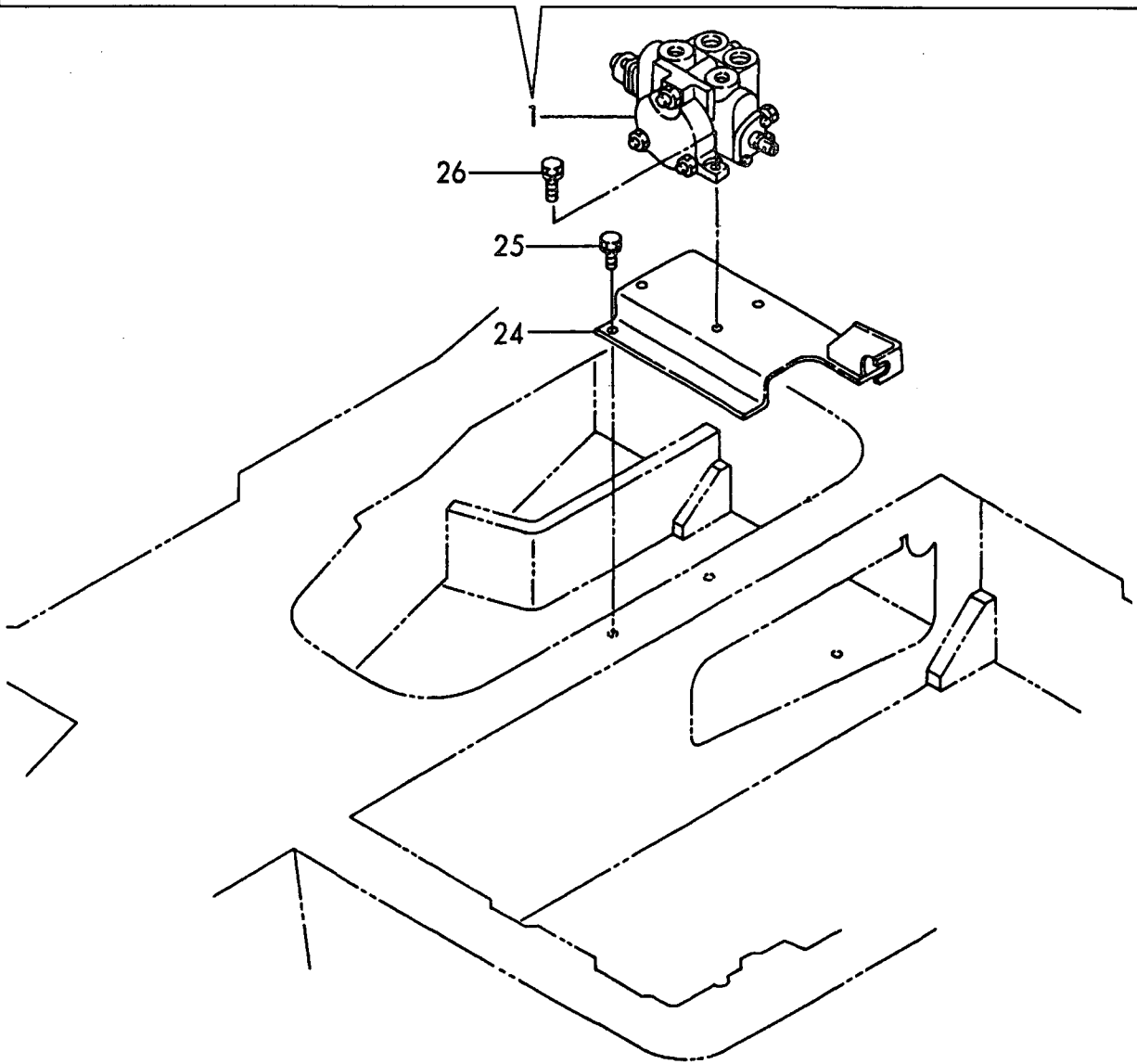
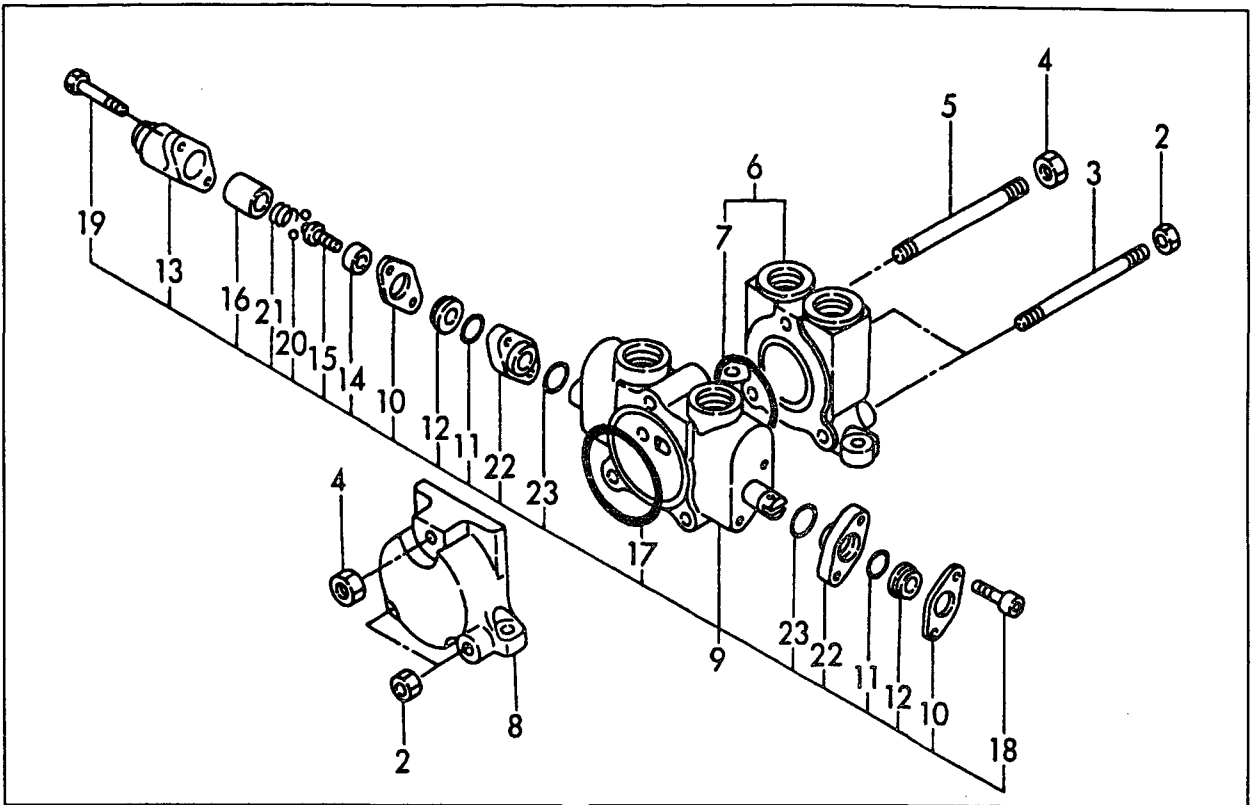
Fig. 47 LOW-HIGH VALVE



1,1,,172168-74710,, "VALVE ASSY,PTO",1,1,,,,,,,,,,,,,  
2,2,,26716-080002,, "NUT M 8",4,4,,,,,,,,,,,,,  
3,2,,172614-74410,, TIE-ROD,2,2,,,,,,,,,,,,,  
4,2,,26716-100002,, "NUT M10",2,2,,,,,,,,,,,,,  
5,2,,172168-74820,, "ROD, TIE",1,1,,,,,,,,,,,,,  
6,2,,172168-74810,, "SECTION ASSY., INLET",1,1,,,,,,,,,,,,,  
7,3,,933171-80590,, O-RING,1,1,,,,,,,,,,,,,  
8,2,,933171-80420,, "SECTION, OUTLET",1,1,,,,,,,,,,,,,  
9,2,,172168-74800,, "SECTION SET, SPOOL",1,1,,,,,,,,,,,,,  
10,3,,172116-74190,, "PLATE, SEAL",2,2,,,,,,,,,,,,,  
11,3,,933171-80610,, O-RING,2,2,,,,,,,,,,,,,  
12,3,,933166-80520,, WIPER,2,2,,,,,,,,,,,,,  
13,3,,933166-80530,, CAP,1,1,,,,,,,,,,,,,  
14,3,,172168-74830,, SPACER,1,1,,,,,,,,,,,,,  
15,3,,172168-74840,, PIN,1,1,,,,,,,,,,,,,  
16,3,,172168-74850,, SLEEVE,1,1,,,,,,,,,,,,,  
17,3,,933171-80590,, O-RING,1,1,,,,,,,,,,,,,  
18,3,,172168-74860,, "BOLT, SOCKET HEAD",2,2,,,,,,,,,,,,,  
19,3,,172151-74290,, "BOLT, SOCKET HEAD",2,2,,,,,,,,,,,,,  
20,3,,172168-74870,, "BALL, STAINLESS STEEL",2,2,,,,,,,,,,,,,  
21,3,,172168-74880,, SPRING,1,1,,,,,,,,,,,,,  
22,3,,172312-74220,, SPACER,2,2,,,,,,,,,,,,,  
23,3,,172312-74230,, O-RING,2,2,,,,,,,,,,,,,  
24,1,,172168-74750,, "BRACKET COMPL.",1,1,,,,,,,,,,,,,  
25,1,,26013-100162,, "BOLT M10X 16",3,3,,,,,,,,,,,,,  
26,1,,26013-100302,, "BOLT M10X 30",3,3,,,,,,,,,,,,,



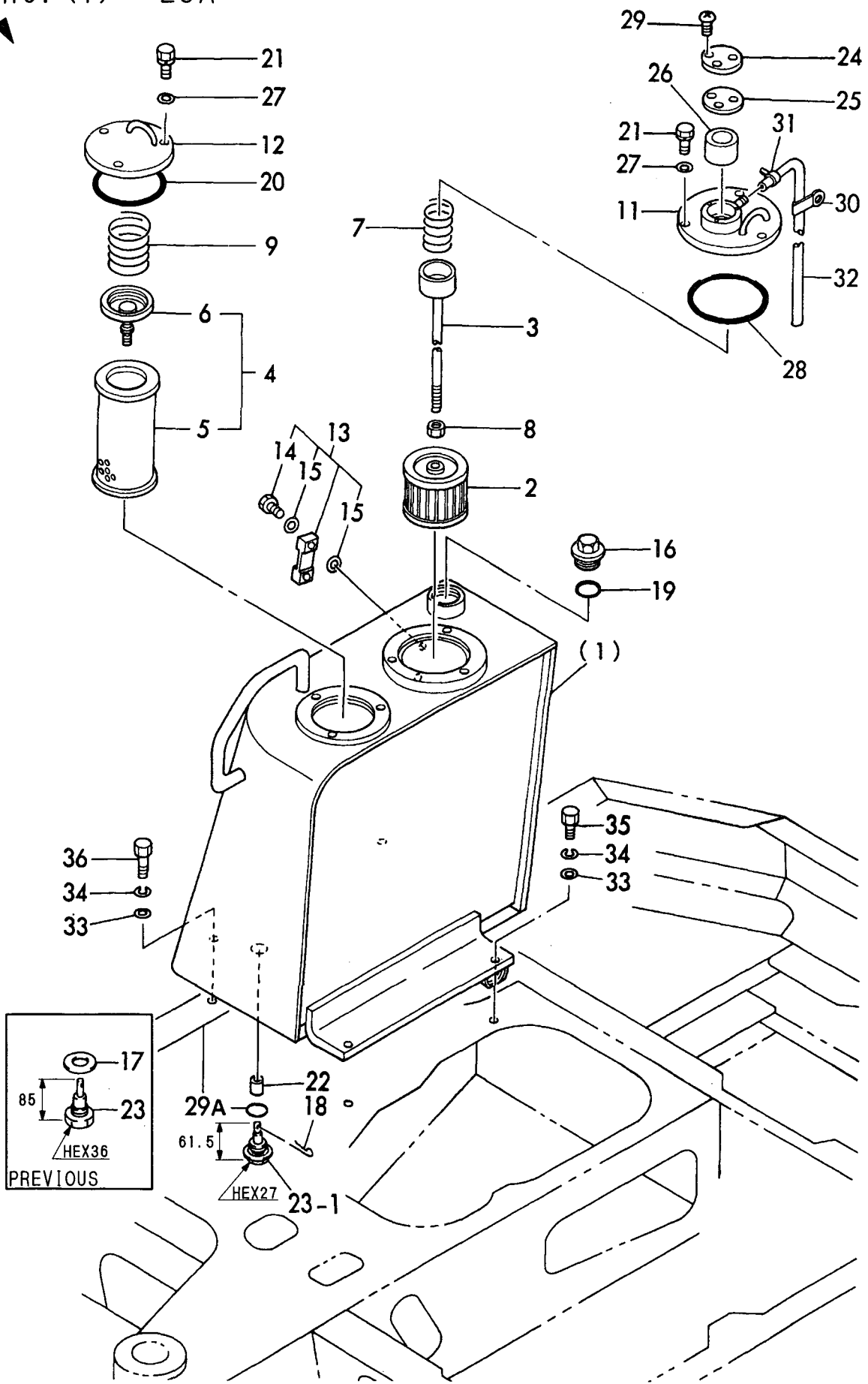
Fig. 48 P. T. O. VALVE



1,1,,772171-75100,, "RESERVOIR ASSY",1,1,,,,,,,,,,,,,  
2,2,,172137-73700,, "FILTER, SUCTION",1,1,,,,,,,,,,,,,  
3,2,,172124-73700,, "BAR,FILTER SUPPORT",1,1,,,,,,,,,,,,,  
4,2,,172141-73750,, "FILTER ASSY, RETURN",1,1,,,,,,,,,,,,,  
5,3,,172141-73760,, ELEMENT,1,1,,,,,,,,,,,,,  
6,3,,172141-73770,, "VALVE ASSY, BYPASS",1,1,,,,,,,,,,,,,  
7,2,,172112-75780,, "SPRING, STRAINER",1,1,,,,,,,,,,,,,  
8,2,,26716-100002,, "NUT M10",1,1,,,,,,,,,,,,,  
9,2,,933152-02710,, "SPRING, SIDE CLUTCH",1,1,,,,,,,,,,,,,  
11,2,,172171-75210,, "COVER CMP.,RESERVOIR",1,1,,,,,,,,,,,,,  
12,2,,172141-75430,, "COVER, INTAKE",1,1,,,,,,,,,,,,,  
13,2,,172122-75600,, "GAUGE, OIL LEVEL",1,1,,,,,,,,,,,,,  
14,3,,172122-75620,, BOLT,2,2,,,,,,,,,,,,,  
15,3,,172122-75630,, GASKET,4,4,,,,,,,,,,,,,  
16,2,,172116-75850,, "PLUG, OIL FEED",1,1,,,,,,,,,,,,,  
17,2,,22134-240000,, "WASHER  
24",1,1,,,,,Z,,72183020,M31274,72183020,M31274,,,,,  
18,2,,22417-200160,, "COTTER PIN 2.0X16",1,1,,,,,,,,,,,,,  
19,2,,24311-000380,, "O-RING 1A P-38.0",1,1,,,,,,,,,,,,,  
20,2,,24321-001050,, "O-RING 1A G-105.0",1,1,,,,,,,,,,,,,  
21,2,,26013-080202,, "BOLT W/WASHER M8X20",6,6,,,,,,,,,,,,,  
22,2,,933171-23042,, MAGNET,1,1,,,,,,,,,,,,,  
23,2,,933171-23062,, "PLUG 24, DRAIN",1,1,,,,,,,,,,,,,  
23-1,2,,172183-75750,, "PLUG 24,  
DRAIN",1,1,,,,,F,1,72183020,M31274,72183020,M31274,,,,,  
24,2,,172165-75450,, PLATE,1,1,,,,,,,,,,,,,  
25,2,,172165-75460,, GASKET,1,1,,,,,,,,,,,,,  
26,2,,172165-75480,, ELEMENT,1,1,,,,,,,,,,,,,  
26-1,2,,172165-  
75481,, ELEMENT,1,1,,,,,N,,72164068,M31243,72164068,M31243,,,,,,I  
27,2,,22137-080000,, "WASHER 8, POLISHED",6,6,,,,,,,,,,,,,  
28,2,,24321-001150,, "O-RING 1A G-115.0",1,1,,,,,,,,,,,,,  
29,2,,26022-050102,, "SCREW M 5X 10",3,3,,,,,,,,,,,,,  
29A,2,,24341-000300,, "O-RING 1A S-  
30.0",1,1,,,,,W,,72183020,M31274,72183020,M31274,,,,,  
30,1,,172126-16540,, "CLAMP 10X70",1,1,,,,,,,,,,,,,  
31,1,,23080-010000,, "CLAMP 10",1,1,,,,,,,,,,,,,  
32,1,,172165-75490,, HOSE,1,1,,,,,,,,,,,,,  
33,1,,22137-140000,, "WASHER 14,POLISHED",4,4,,,,,,,,,,,,,  
34,1,,22217-140000,, "SPRING WASHER 14",4,4,,,,,,,,,,,,,  
35,1,,26116-140302,, "BOLT M14X 30 PLATED",2,2,,,,,,,,,,,,,  
36,1,,26116-140452,, "BOLT M14X 45 PLATED",2,2,,,,,,,,,,,,,

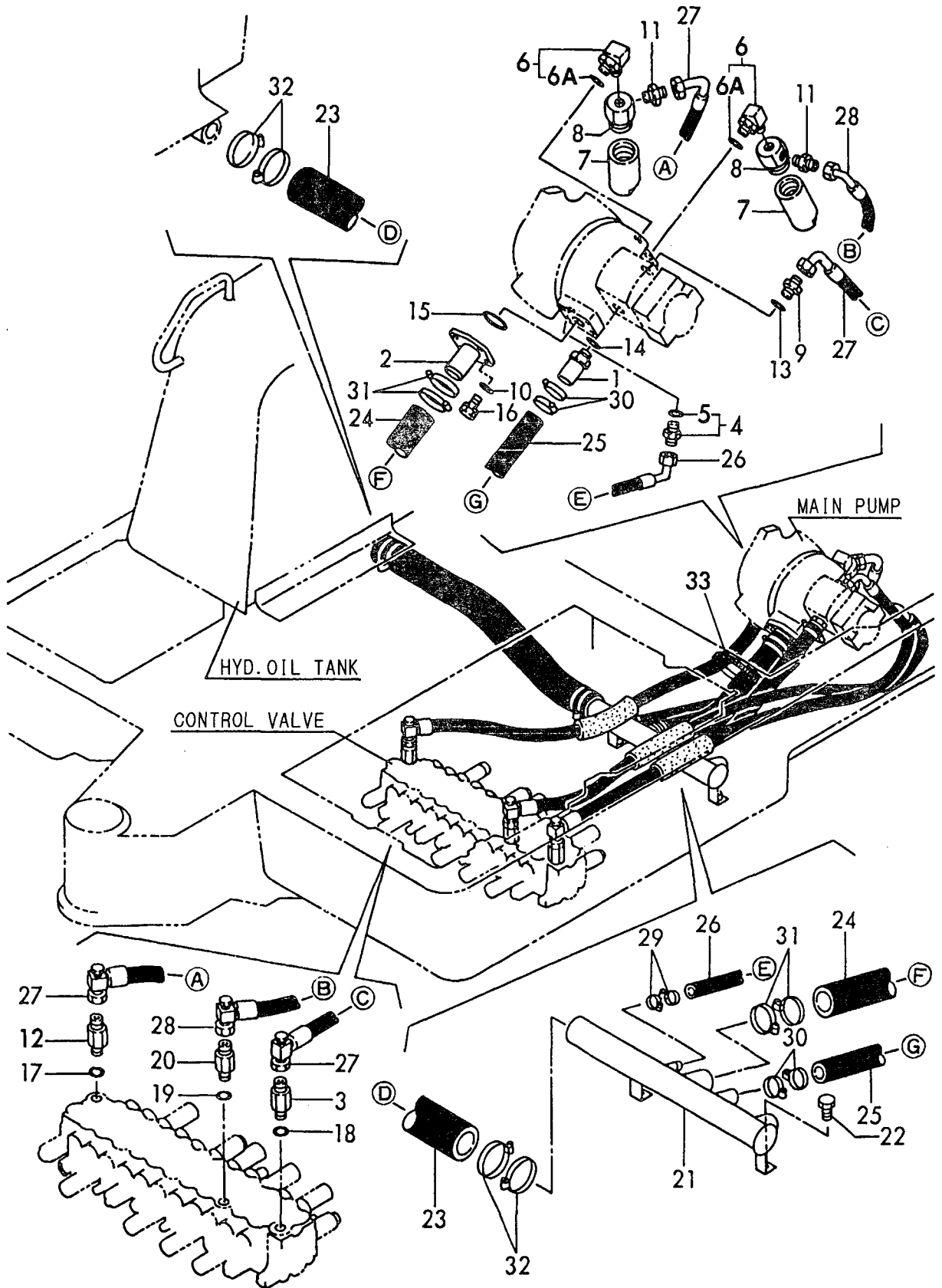
# Fig. 49 HYD. OIL TANK

1 inc. (1) ~ 29A



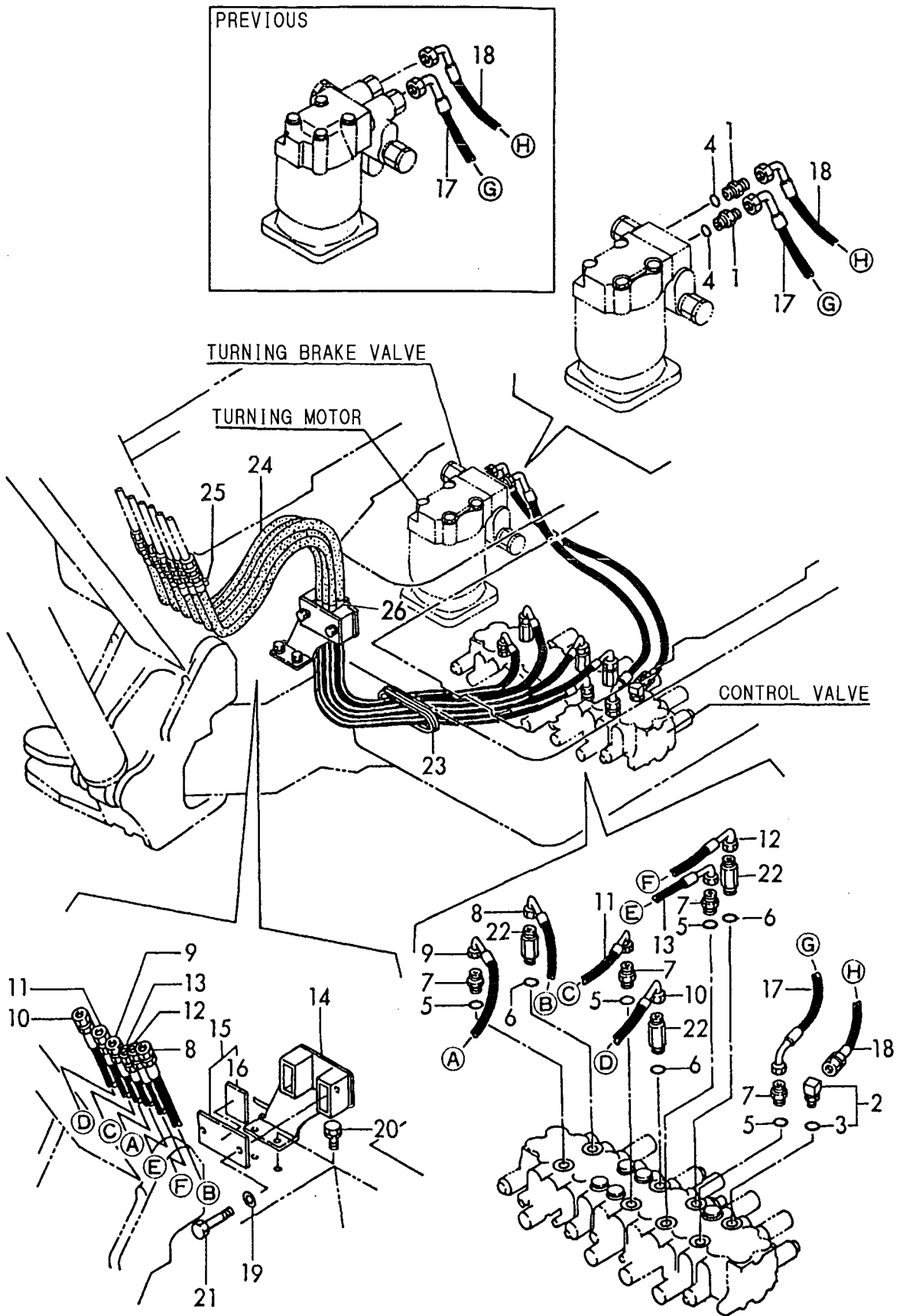
1,1,,172142-76100,,CONNECTOR,1,1,,,,,,,,,,,,,  
2,1,,172168-76100,, "FLANGE 32.5,ROUND",1,1,,,,,,,,,,,,,  
3,1,,172142-76130,, "JOINT 7/8UN-1/4",1,1,,,,,,,,,,,,,  
4,1,,172168-76160,, "CONNECTOR PF1/2-3/8",1,1,,,,,,,,,,,,,  
4-1,1,,172168-76190,, "CONNECTOR PF1/2-  
3/8",1,1,,,,,N,,72176024,M31249,72176024,M31249,,,,,  
5,2,,24315-000140,, "O-RING 1B P-14.0",1,1,,,,,,,,,,,,,  
6,1,,172168-76620,, "ELBOW,90°ADJUSTABLE",2,2,,,,,,,,,,,,,  
6A,2,,24315-000180,, "O-RING 1B P-18.0",2,2,,,,,,,,,,,,,  
7,1,,172165-76780,, BODY,2,2,,,,,,,,,,,,,  
8,1,,172165-76790,, "CONNECTOR 1/4X1/2",2,2,,,,,,,,,,,,,  
9,1,,172112-77360,, "CONNECTOR PF1/2PF1/2",1,1,,,,,,,,,,,,,  
10,1,,22137-100000,, "WASHER 10,POLISHED",4,4,,,,,,,,,,,,,  
11,1,,23391-040000,, "JOINT RGI 1/2",2,2,,,,,,,,,,,,,  
12,1,,172168-76240,, "CONNECTOR UN7/8PF1/2",1,1,,,,,,,,,,,,,  
13,1,,24315-000180,, "O-RING 1B P-18.0",1,1,,,,,,,,,,,,,  
14,1,,24315-000240,, "O-RING 1B P-24.0",1,1,,,,,,,,,,,,,  
15,1,,24321-000400,, "O-RING 1A G-40.0",1,1,,,,,,,,,,,,,  
16,1,,26013-100252,, "BOLT W/WASHER M10X25",4,4,,,,,,,,,,,,,  
17,1,,933152-07400,, "O-RING (A)",1,1,,,,,,,,,,,,,  
18,1,,933152-07400,, "O-RING (A)",1,1,,,,,,,,,,,,,  
19,1,,933152-24120,, "O-RING (B)",1,1,,,,,,,,,,,,,  
20,1,,933166-24140,, CONNECTOR,1,1,,,,,,,,,,,,,  
21,1,,172168-76500,, TUBE,1,1,,,,,,,,,,,,,  
22,1,,26013-100202,, "BOLT W/WASHER M10X20",2,2,,,,,,,,,,,,,  
23,1,,172168-78100,, "HOSE 44.5X57.5",1,1,,,,,,,,,,,,,  
24,1,,172171-78110,, "HOSE G820YY035",1,1,,,,,,,,,,,,,  
25,1,,172171-78120,, "HOSE G816YY039",1,1,,,,,,,,,,,,,  
26,1,,172171-78140,, "HOSE G608BY037S",1,1,,,,,,,,,,,,,  
27,1,,172171-78150,, "HOSE G208CV125S",2,2,,,,,,,,,,,,,  
28,1,,172171-78160,, "HOSE G208CV115",1,1,,,,,,,,,,,,,  
29,1,,23000-022000,, "CLAMP 22",2,2,,,,,,,,,,,,,  
30,1,,23000-041000,, "CLAMP 41",4,4,,,,,,,,,,,,,  
31,1,,23000-048000,, "CLAMP 48",4,4,,,,,,,,,,,,,  
32,1,,23000-070000,, "CLAMP 70",4,4,,,,,,,,,,,,,  
33,1,,194202-56460,, BAND,1,1,,,,,,,,,,,,,

Fig. 50 HYD. OIL PIPING (TANK-PUMP-VALVE)



1,1,,172730-75140,,ADAPTOR,2,2,,,,,W,,72171020,M30504,72171020,M30504,,,,,,  
2,1,,172168-76130,, "CONNECTOR UN3/4PF3/8",1,1,,,,,  
3,2,,933152-24120,, "O-RING (B)",1,1,,,,,  
4,1,,24315-000140,, "O-RING 1B P-  
14.0",2,2,,,,,W,,72171020,M30504,72171020,M30504,,,,,  
5,1,,933152-24120,, "O-RING (B)",4,4,,,,,  
6,1,,933152-24120,, "O-RING (B)",3,3,,,,,  
7,1,,933155-08481,, "CONNECTOR (A)",4,4,,,,,  
8,1,,172171-78500,,HOSE,1,1,,,,,  
9,1,,172171-78510,,HOSE,1,1,,,,,  
10,1,,172171-78520,,HOSE,1,1,,,,,  
11,1,,172171-78530,,HOSE,1,1,,,,,  
12,1,,172171-78540,,HOSE,1,1,,,,,  
13,1,,172171-78550,,HOSE,1,1,,,,,  
14,1,,172168-78700,, "SUPPORT ASSY, HOSE",1,1,,,,,  
15,1,,172168-78740,, "COVER ASSY",1,1,,,,,  
16,2,,172168-78760,,RUBBER,1,1,,,,,  
17,1,,172168-78920,, "HOSE P208CC080S",1,1,,,,,  
18,1,,172168-78960,, "HOSE P206BC080S",1,1,,,,,  
19,1,,22217-100000,, "SPRING WASHER 10",2,2,,,,,  
20,1,,26013-100202,, "BOLT W/WASHER M10X20",2,2,,,,,  
21,1,,26116-100652,, "BOLT M10X 65 PLATED",2,2,,,,,  
22,1,,172142-76160,, "JOINT 3/4UN-3/8",3,3,,,,,  
23,1,,172165-78150,,GROMMET,1,1,,,,,  
24,1,,172171-78900,,COVER,6,6,,,,,  
25,1,,23000-025000,, "CLAMP 25",6,6,,,,,  
26,1,,172122-79920,,CLAMP,6,6,,,,,

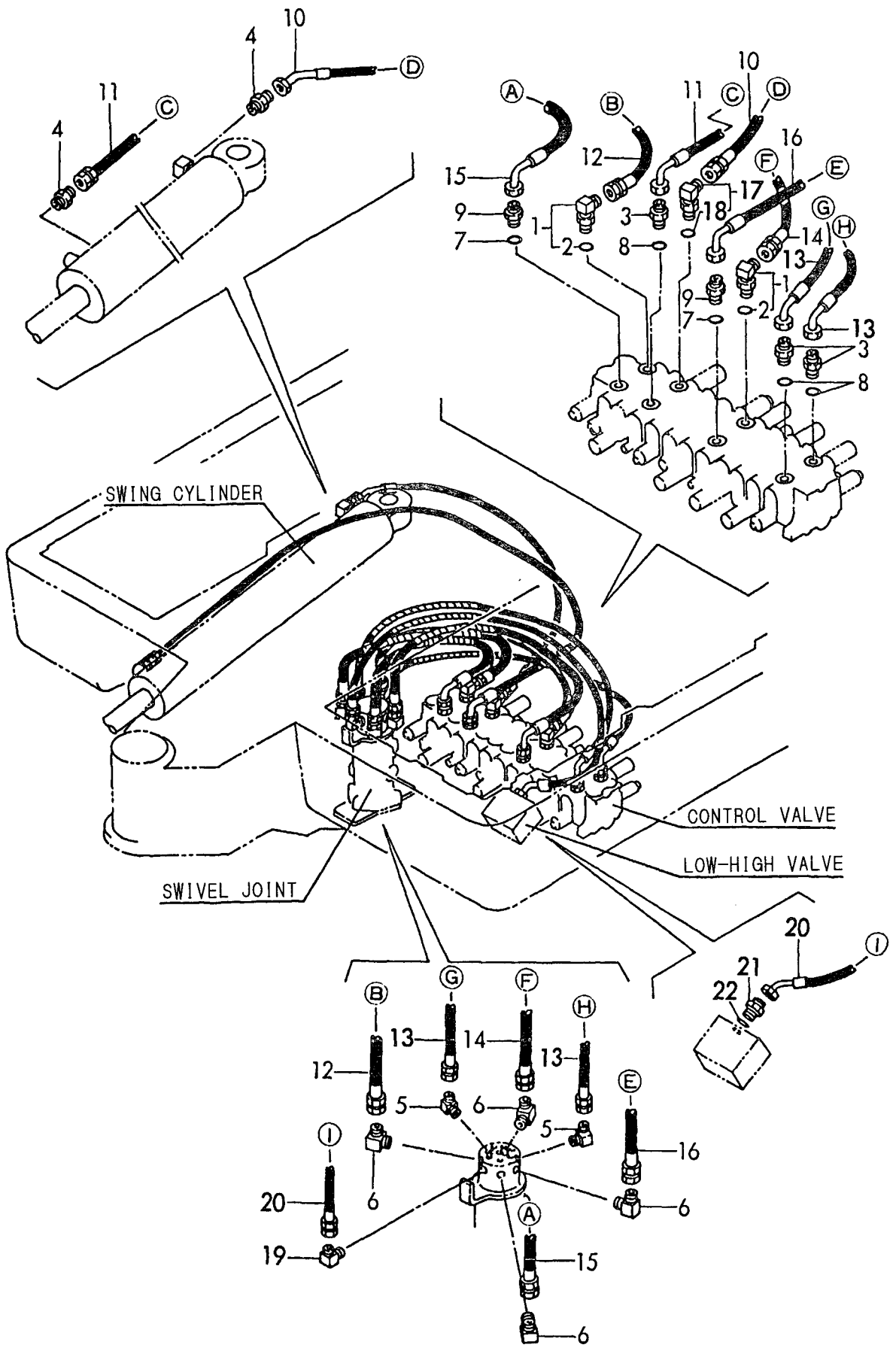
Fig. 51 HYD. OIL PIPING (VALVE-MOTOR, BOOM)



1,1,,172168-76130,, "CONNECTOR UN3/4PF3/8",2,2,,,,,,,,,,,,,  
2,2,,933152-24120,, "O-RING (B)",2,2,,,,,,,,,,,,,  
3,1,,172312-76220,, "CONNECTOR 1/4-3/4UN",3,3,,,,,,,,,,,,,  
4,1,,23391-020000,, "JOINT RGI1/4",2,2,,,,,,,,,,,,,  
5,1,,23393-020000,, "JOINT 90RGI1/4",2,2,,,,,,,,,,,,,  
6,1,,23393-030000,, "JOINT 90RGI 3/8",4,4,,,,,,,,,,,,,  
7,1,,933152-24120,, "O-RING (B)",2,2,,,,,,,,,,,,,  
8,1,,933152-24120,, "O-RING (B)",3,3,,,,,,,,,,,,,  
9,1,,933155-08481,, "CONNECTOR (A)",2,2,,,,,,,,,,,,,  
10,1,,172171-78180,, "HOSE P204BE127S",1,1,,,,,,,,,,,,,  
11,1,,172168-78190,, "HOSE P204BC195S",1,1,,,,,,,,,,,,,  
12,1,,172141-78240,, "HOSE",1,1,,,,,,,,,,,,,  
13,1,,172168-78980,, "HOSE P204BC100S",2,2,,,,,,,,,,,,,  
14,1,,172131-78600,, "HOSE",1,1,,,,,,,,,,,,,  
15,1,,172168-78900,, "HOSE P206BC070S",1,1,,,,,,,,,,,,,  
16,1,,172168-78940,, "HOSE P206BC089S",1,1,,,,,,,,,,,,,  
17,1,,172168-76140,, "CONNECTOR UN3/4PF1/4",1,1,,,,,,,,,,,,,  
18,2,,933152-24120,, "O-RING (B)",1,1,,,,,,,,,,,,,  
19,1,,23393-020000,, "JOINT  
90RGI1/4",1,1,,,,,W,,72171036,M30501,72171036,M30501,,,,,,,,,I  
20,1,,172168-78280,, "HOSE  
P204BE135",1,1,,,,,W,,72171036,M30501,72171036,M30501,,,,,,,,,I  
21,1,,172123-76120,, "CONNECTOR  
PF1/4",1,1,,,,,W,,72171036,M30501,72171036,M30501,,,,,,,,,I  
22,1,,24315-000110,, "O-RING 1B P-  
11.0",1,1,,,,,W,,72171036,M30501,72171036,M30501,,,,,,,,,I

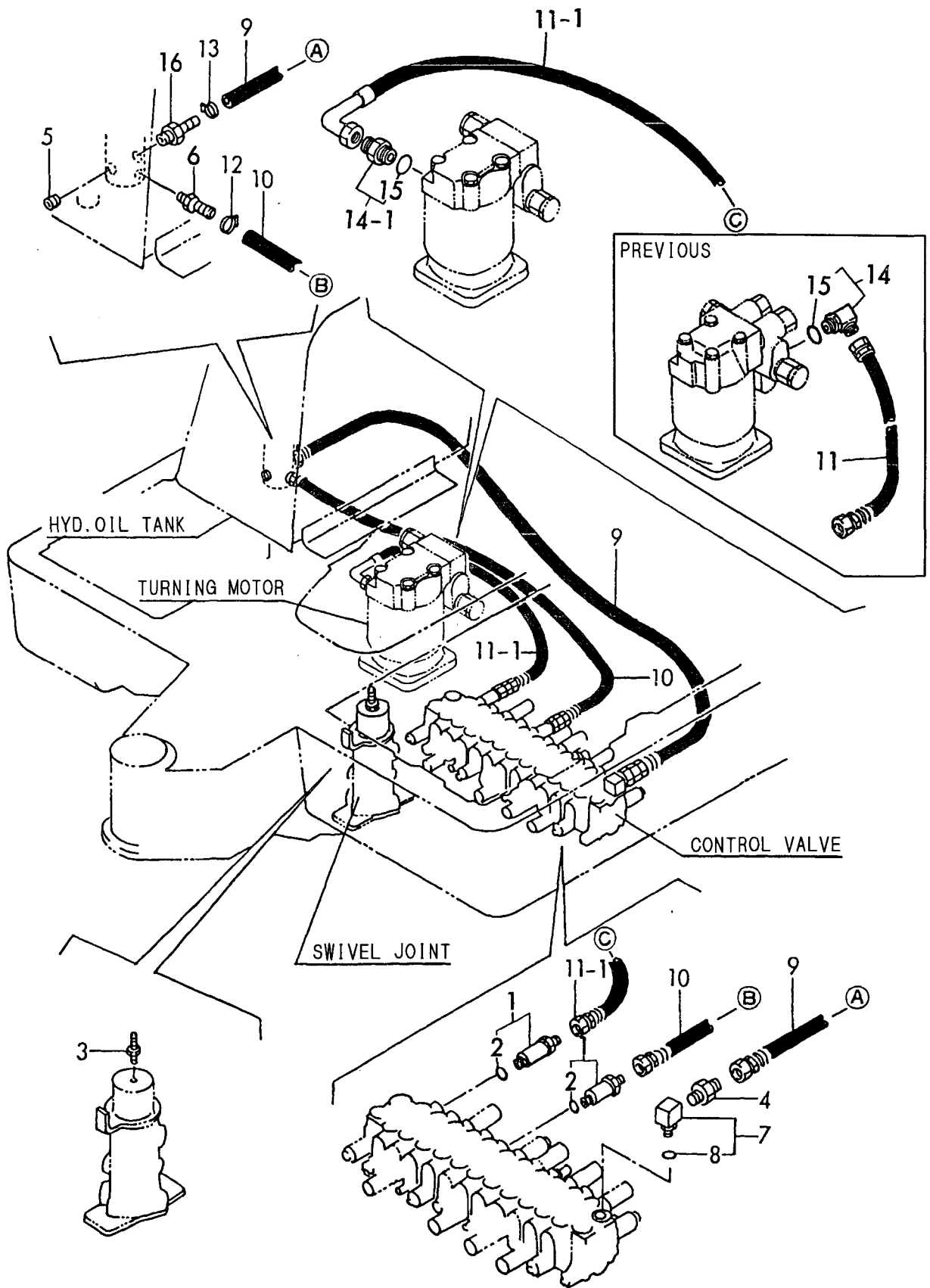


Fig. 52 HYD. OIL PIPING (VALVE-SWIVEL, SWING)



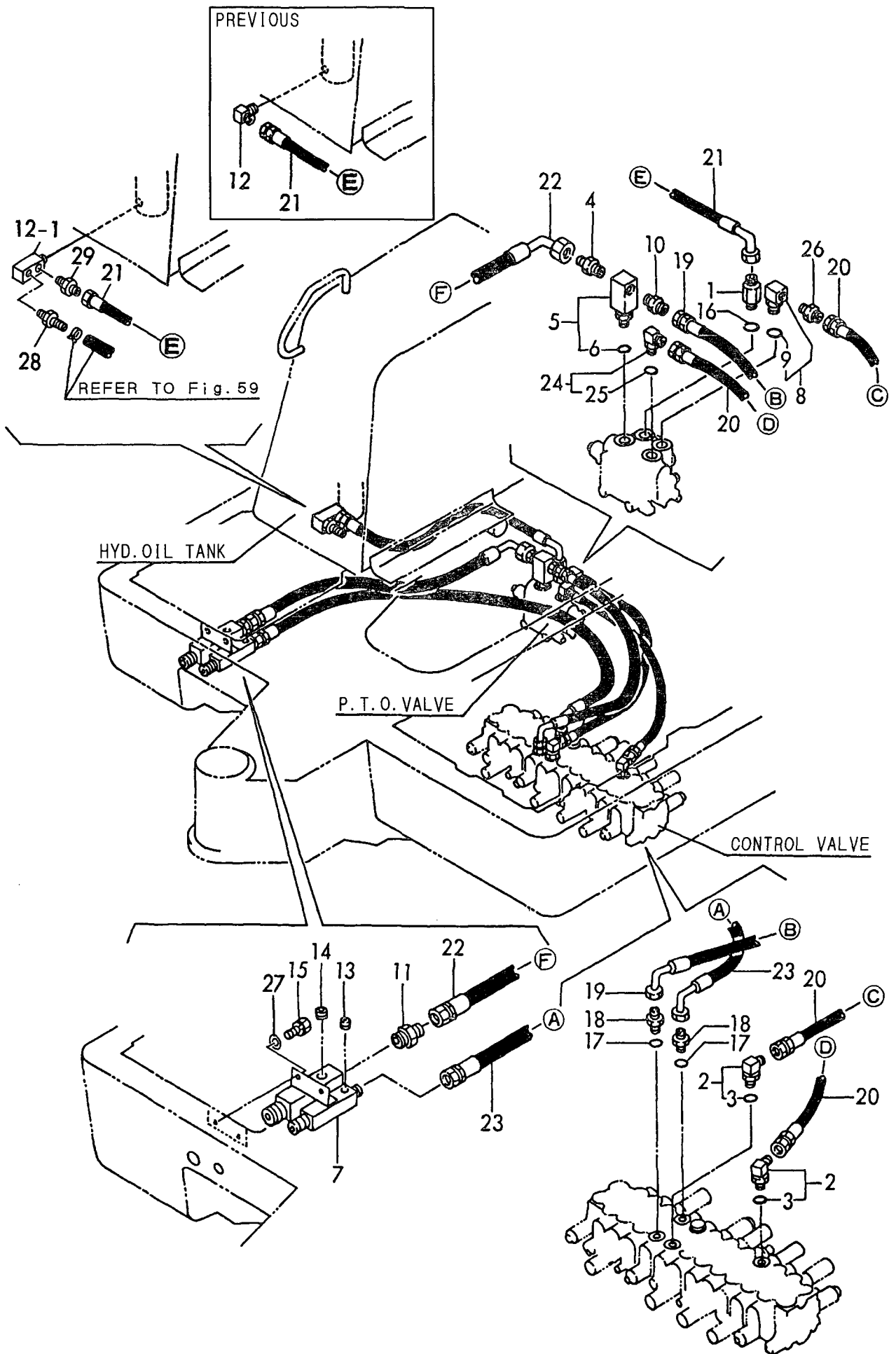
1,1,,172168-76150,, "CONNECTOR UN7/8PF1/2",2,2,,,,,,,,,,,,,  
2,2,,933152-07400,, "O-RING (A)",2,2,,,,,,,,,,,,,  
3,1,,172141-76220,, NIPPLE,1,1,,,,,,,,,,,,,  
4,1,,23391-060000,, "JOINT RGI 3/4",1,1,,,,,,,,,,,,,  
5,1,,23871-040000,, "PLUG PT1/2,SCREW",1,1,,,,,,,,,,,,,  
6,1,,172168-76170,, "CONNECTOR 12,ROUND",1,1,,,,,,,,,,,,,  
7,1,,933171-24901,, CONNECTOR,1,1,,,,,,,,,,,,,  
8,2,,933152-07400,, "O-RING (A)",1,1,,,,,,,,,,,,,  
9,1,,172168-78240,, "HOSE G612BY165S",1,1,,,,,,,,,,,,,  
10,1,,172168-78260,, "HOSE G608BY112S",1,1,,,,,,,,,,,,,  
11,1,,172168-78250,, "HOSE G608BB043",1,1,,,,,,,,,,,,,  
11-1,1,,172168-78251,, "HOSE  
G608BC078S",1,1,,,,,S,,72171020,M30504,72171020,M30504,,,,,  
12,1,,23000-022000,, "CLAMP 22",1,1,,,,,,,,,,,,,  
13,1,,23000-035000,, "CLAMP 35",1,1,,,,,,,,,,,,,  
14,1,,172645-76570,, "CONNECTOR 3/8X1/2",1,1,,,,,,,,,,,,,  
14-1,1,,172168-76160,, "CONNECTOR PF1/2-  
3/8",1,1,,,,,S,,72171020,M30504,72171020,M30504,,,,,  
15,2,,24315-000140,, "O-RING 1B P-14.0",1,1,,,,,,,,,,,,,  
16,1,,172165-76220,, NIPPLE,1,1,,,,,,,,,,,,,

Fig. 53 HYD. OIL PIPING (RETURN)



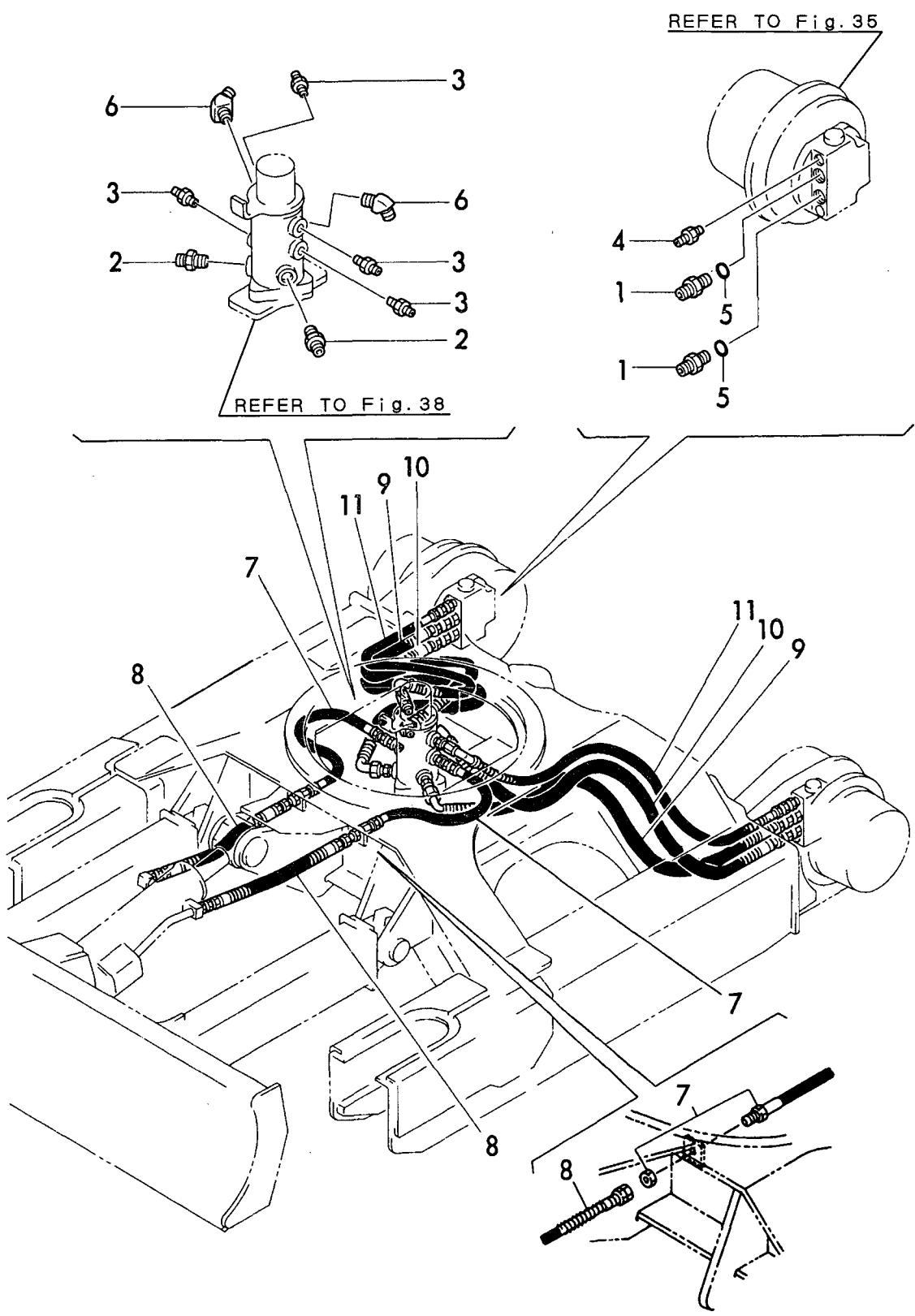
1,1,,172142-76130,, "JOINT 7/8UN-1/4",1,1,,,,,,,,,,,,,  
2,1,,172168-76130,, "CONNECTOR UN3/4PF3/8",2,2,,,,,,,,,,,,,  
3,2,,933152-24120,, "O-RING (B)",2,2,,,,,,,,,,,,,  
4,1,,172633-76160,, "ADAPTER 1/2-3/4",1,1,,,,,,,,,,,,,  
5,1,,172168-76180,, "CONNECTOR UN3/4PT1/2",1,1,,,,,,,,,,,,,  
6,2,,933152-24120,, "O-RING (B)",1,1,,,,,,,,,,,,,  
7,1,,172168-76300,, "JOINT, 3RD",1,1,,,,,,,,,,,,,  
8,1,,172124-76350,, "CONNECTOR 1/2",1,1,,,,,,,,,,,,,  
9,2,,933152-07400,, "O-RING (A)",1,1,,,,,,,,,,,,,  
10,1,,23391-040000,, "JOINT RGI 1/2",1,1,,,,,,,,,,,,,  
11,1,,23391-060000,, "JOINT RGI 3/4",1,1,,,,,,,,,,,,,  
12,1,,23393-040000,, "JOINT 90RGI 1/4",1,1,,,,,,,,,,,,,  
12-1,1,,172168-  
76660,,CONNECTOR,1,1,,,,,S,,72168183,M30891,72168183,M30891,,,,,,I  
13,1,,23871-030000,, "PLUG PT3/8,SCREW",1,1,,,,,,,,,,,,,  
14,1,,23871-040000,, "PLUG PT1/2,SCREW",1,1,,,,,,,,,,,,,  
15,1,,26013-100202,, "BOLT W/WASHER M10X20",2,2,,,,,,,,,,,,,  
16,1,,933152-07400,, "O-RING (A)",1,1,,,,,,,,,,,,,  
17,1,,933152-24120,, "O-RING (B)",2,2,,,,,,,,,,,,,  
18,1,,933166-24120,, "CONNECTOR PF1/2-10",2,2,,,,,,,,,,,,,  
19,1,,172130-78220,,HOSE,1,1,,,,,,,,,,,,,  
20,1,,172168-78230,, "HOSE P206BB070",2,2,,,,,,,,,,,,,  
21,1,,172168-78330,, "HOSE G608BC058",1,1,,,,,,,,,,,,,  
22,1,,172168-78340,, "HOSE G212BC068",1,1,,,,,,,,,,,,,  
23,1,,172168-78370,, "HOSE G208BC127",1,1,,,,,,,,,,,,,  
24,1,,172168-76130,, "CONNECTOR UN3/4PF3/8",1,1,,,,,,,,,,,,,  
25,2,,933152-24120,, "O-RING (B)",1,1,,,,,,,,,,,,,  
26,1,,172312-76180,, "NIPPLE 1/2X3/8",1,1,,,,,,,,,,,,,  
27,1,,22137-100000,, "WASHER 10,POLISHED",2,2,,,,,,,,,,,,,  
28,1,,172165-76270,,NIPPLE,1,1,,,,,W,,72168183,M30891,72168183,M30891,,,,,,I  
29,1,,23391-040000,, "JOINT RGI  
1/2",1,1,,,,,W,,72168183,M30891,72168183,M30891,,,,,,I

Fig. 54 HYD. OIL PIPING (P. T. O. VALVE, FRAME)



1,1,,172730-75140,,ADAPTOR,4,4,,,,,,,,,,,,,  
2,1,,23391-030000,, "JOINT RGI 3/8",2,2,,,,,,,,,,,,,  
3,1,,23391-020000,, "JOINT RGI1/4",4,4,,,,,,,,,,,,,  
4,1,,23391-020000,, "JOINT RGI1/4",2,2,,,,,,,,,,,,,  
5,1,,24315-000140,, "O-RING 1B P-14.0",4,4,,,,,,,,,,,,,  
6,1,,23394-030000,, "JOINT 45RGI 3/8",2,2,,,,,,,,,,,,,  
7,1,,172168-78200,, "HOSE P204AB043",2,2,,,,,,,,,,,,,  
8,1,,172141-78460,,HOSE,2,2,,,,,,,,,,,,,  
9,1,,172141-78470,,HOSE,2,2,,,,,,,,,,,,,  
10,1,,172141-78480,,HOSE,2,2,,,,,,,,,,,,,  
11,1,,172141-78490,,HOSE,2,2,,,,,,,,,,,,,

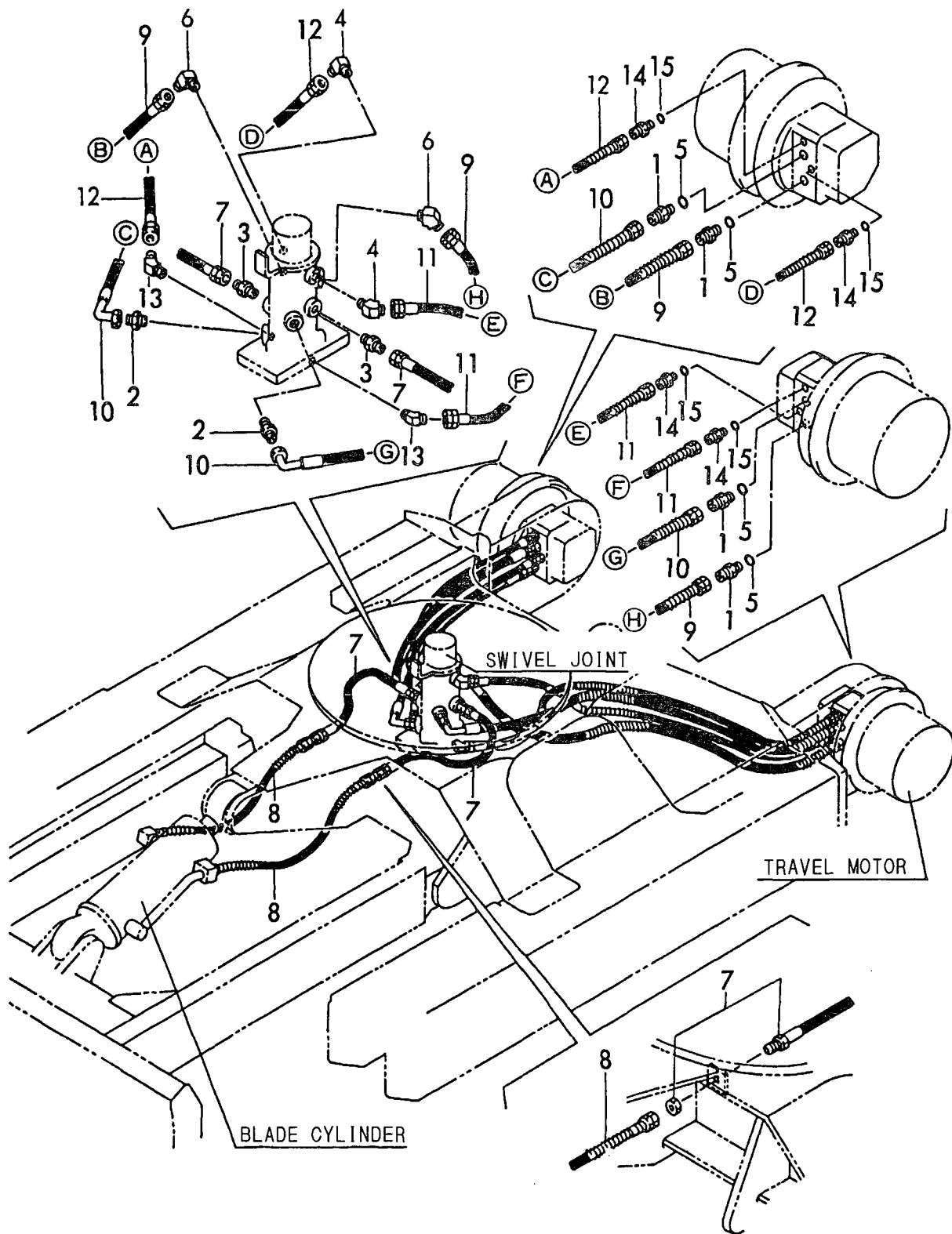
Fig. 55 HYD. OIL PIPING (TRAVEL) (SINGLE SPEED) (PREVIOUS)



1,1,,933160-01370,, "CONNECTOR PF1/2-3/8",4,4,,,,,,,,,,,,,  
2,1,,23391-030000,, "JOINT RGI 3/8",2,2,,,,,,,,,,,,,  
3,1,,23391-020000,, "JOINT RGI1/4",2,2,,,,,,,,,,,,,  
4,1,,23394-020000,, "JOINT 45RGI1/4",2,2,,,,,,,,,,,,,  
5,1,,24315-000180,, "O-RING 1B P-18.0",4,4,,,,,,,,,,,,,  
6,1,,23394-030000,, "JOINT 45RGI 3/8",2,2,,,,,,,,,,,,,  
7,1,,172168-78200,, "HOSE P204AB043",2,2,,,,,,,,,,,,,  
8,1,,172141-78460,, HOSE,2,2,,,,,,,,,,,,,  
9,1,,172141-78470,, HOSE,2,2,,,,,,,,,,,,,  
10,1,,172141-78480,, HOSE,2,2,,,,,,,,,,,,,  
11,1,,172171-78850,, "HOSE P204BB085W",2,2,,,,,,,,,,,,,  
12,1,,172171-78860,, "HOSE G704BB080W",2,2,,,,,,,,,,,,,  
13,1,,23394-020000,, "JOINT 45RGI1/4",2,2,,,,,,,,,,,,,  
14,1,,172123-76120,, "CONNECTOR PF1/4",4,4,,,,,,,,,,,,,  
15,1,,24315-000110,, "O-RING 1B P-11.0",4,4,,,,,,,,,,,,,

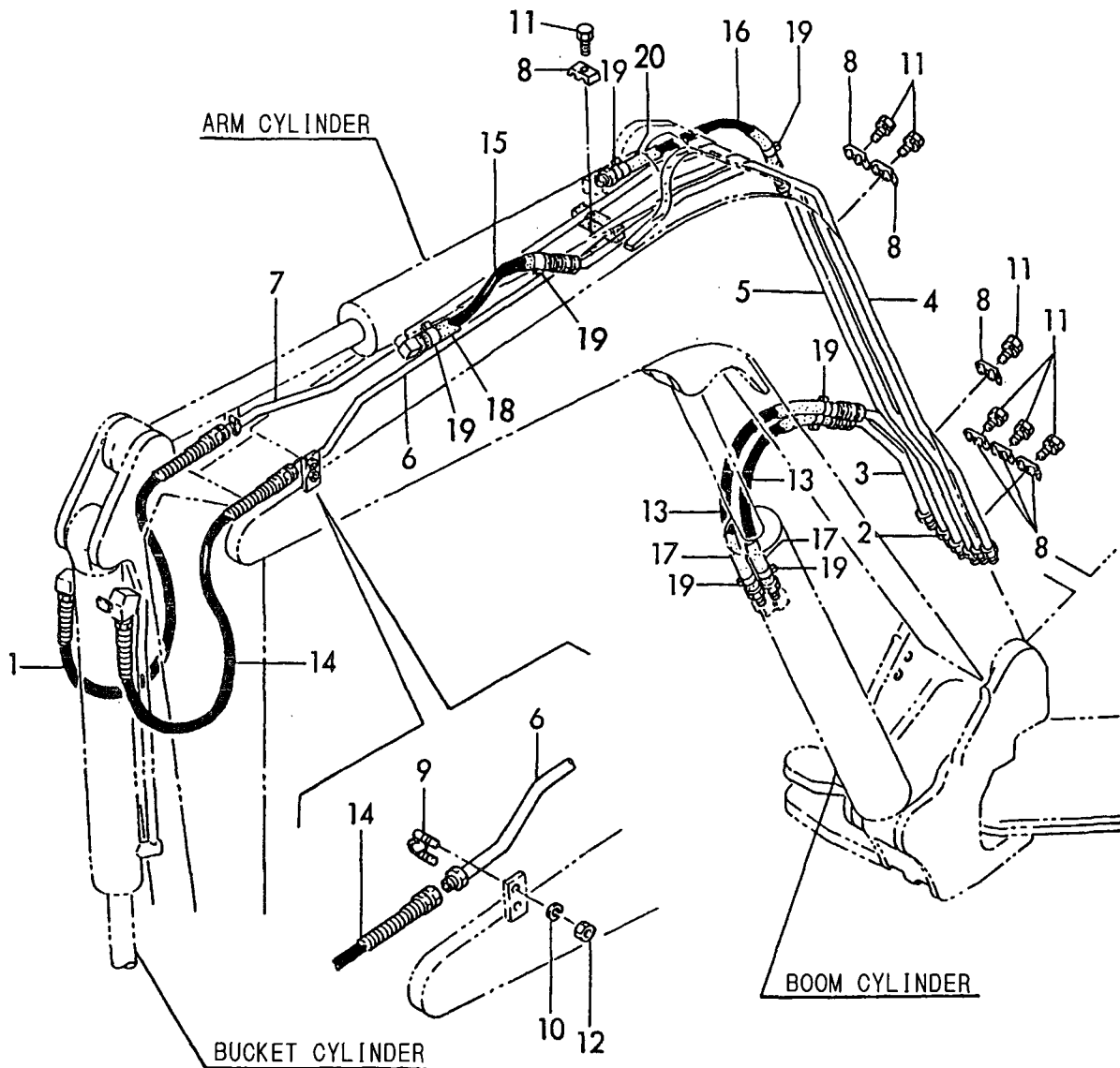


Fig. 56 HYD.OIL PIPING (TRAVEL) (DOUBLE SPEED) (NEW)



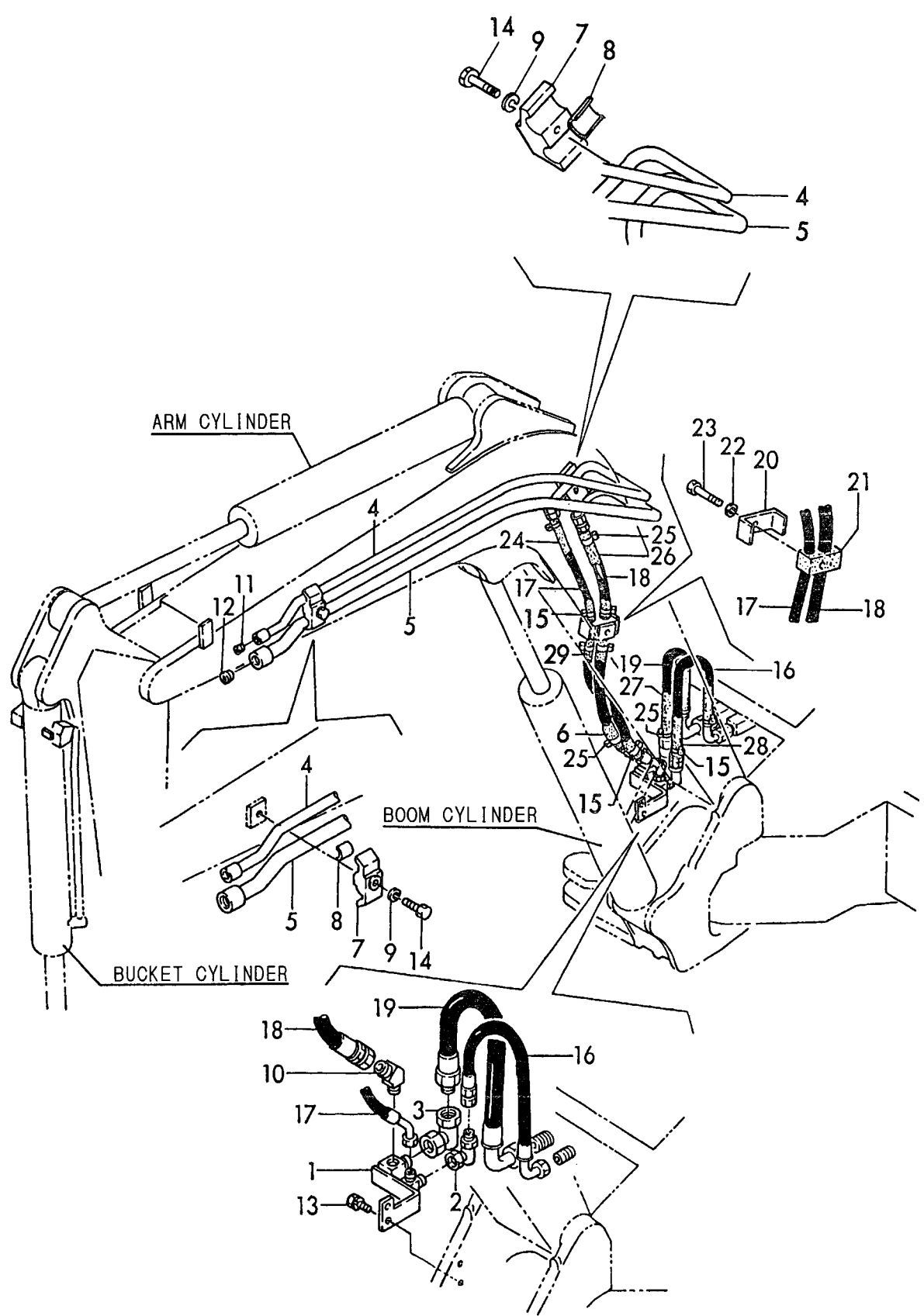
1,1,,172171-78770,, "HOSE G206AB078W",1,1,,,,,,,,,,,,,  
2,1,,172142-76500,, "PIPE(A), BOOM",1,1,,,,,,,,,,,,,  
3,1,,172142-76520,, "PIPE(B), BOOM",1,1,,,,,,,,,,,,,  
4,1,,172171-76540,, "PIPE(L), ARM",1,1,,,,,,,,,,,,,  
5,1,,172171-76560,, "PIPE(R), ARM",1,1,,,,,,,,,,,,,  
6,1,,172171-76580,, "PIPE(L), BUCKET",1,1,,,,,,,,,,,,,  
7,1,,172171-76600,, "PIPE(R), BUCKET",1,1,,,,,,,,,,,,,  
8,1,,172141-76670,, "CLAMP, PIPE(A)",7,7,,,,,,,,,,,,,  
9,1,,172141-76680,, "CLAMP, PIPE(B)",2,2,,,,,,,,,,,,,  
10,1,,22217-080000,, "SPRING WASHER 8",4,4,,,,,,,,,,,,,  
11,1,,26013-100352,, "BOLT M10X 35",7,7,,,,,,,,,,,,,  
12,1,,26717-080002,, "NUT 8",4,4,,,,,,,,,,,,,  
13,1,,172312-78270,, HOSE,2,2,,,,,,,,,,,,,  
14,1,,172141-78440,, HOSE,1,1,,,,,,,,,,,,,  
15,1,,172141-78400,, HOSE,1,1,,,,,,,,,,,,,  
16,1,,172141-78410,, HOSE,1,1,,,,,,,,,,,,,  
17,1,,172171-78910,, COVER,2,2,,,,,,,,,,,,,  
18,1,,172137-79970,, COVER,1,1,,,,,,,,,,,,,  
19,1,,23000-025000,, "CLAMP 25",8,8,,,,,,,,,,,,,  
20,1,,172143-79800,, "COVER, HOSE",1,1,,,,,,,,,,,,,

Fig. 57 HYD. OIL PIPING (BOOM)



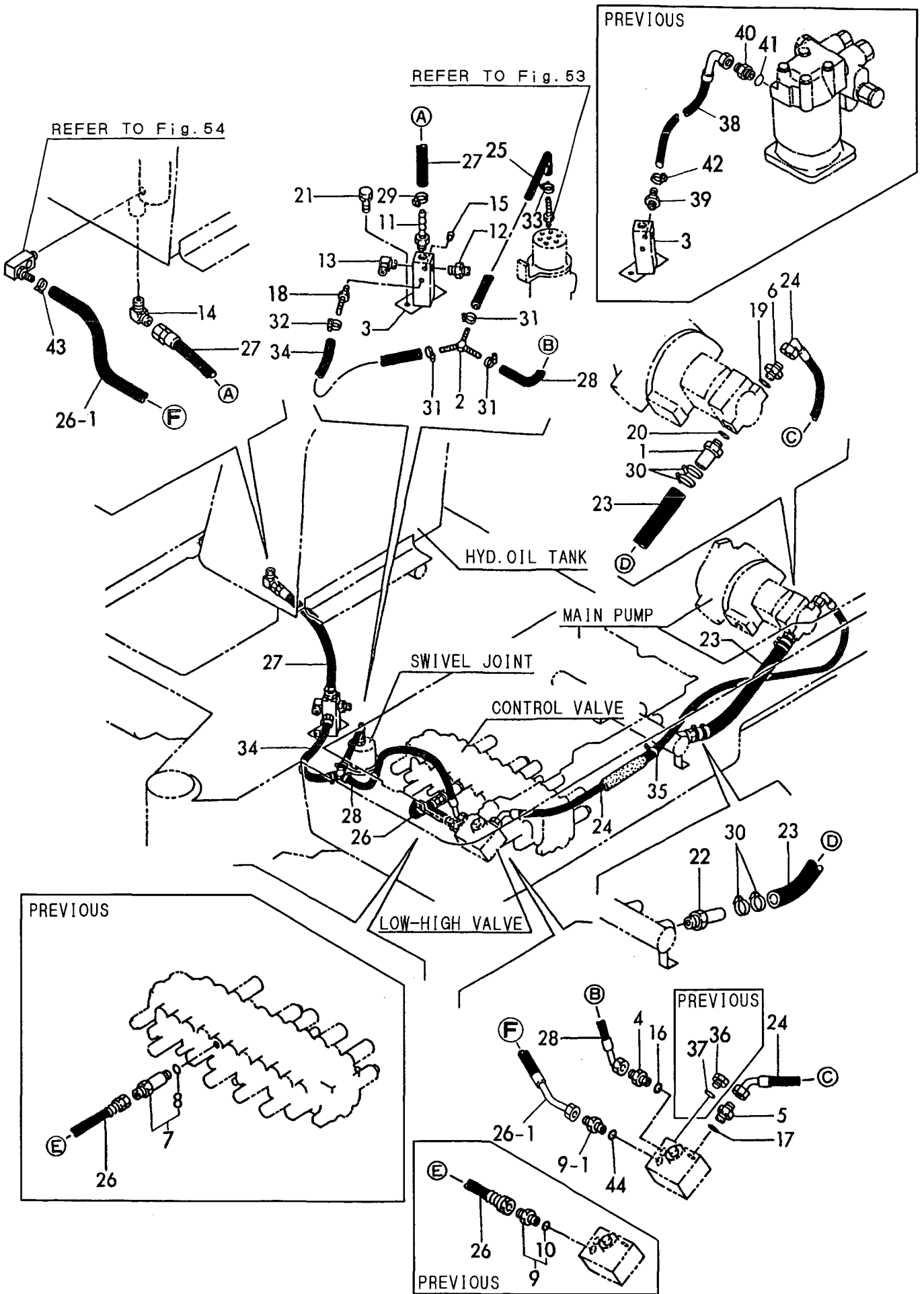
1,1,,172171-76700,, "JOINT, 3RD",1,1,,,,,,,,,,,,,,,,,  
2,1,,172142-76270,, "JOINT 1/2, SWIVEL",1,1,,,,,,,,,,,,,,,,,  
2A,2,,172142-77040,, "SEAL  
SET",1,1,,,,,W,,72142389,\*1996.02,72142389,\*1996.02,,,,,,,,,I  
3,1,,172142-76280,, "JOINT 3/4, SWIVEL",1,1,,,,,,,,,,,,,,,,,  
3A,2,,172142-77050,, "SEAL  
SET",1,1,,,,,W,,72142389,\*1996.02,72142389,\*1996.02,,,,,,,,,I  
4,1,,172171-76830,, "TUBE B COMP.,3RD",1,1,,,,,,,,,,,,,,,,,  
5,1,,172171-76800,, "TUBE A COMP.,3RD",1,1,,,,,,,,,,,,,,,,,  
6,1,,172137-79950,,COVER,1,1,,,,,,,,,,,,,,,,,  
7,1,,172125-76900,,CLAMP,2,2,,,,,,,,,,,,,,,,,  
8,1,,172141-76850,, "SPACER, CLAMP",2,2,,,,,,,,,,,,,,,,,  
9,1,,22217-120000,, "WASHER 12,SPRING",2,2,,,,,,,,,,,,,,,,,  
10,1,,23394-060000,, "JOINT 45RGI3/4",1,1,,,,,,,,,,,,,,,,,  
11,1,,23871-040000,, "PLUG PT1/2,SCREW",1,1,,,,,,,,,,,,,,,,,  
12,1,,23871-060000,, "PLUG PT3/4,SCREW",1,1,,,,,,,,,,,,,,,,,  
13,1,,26013-100252,, "BOLT W/WASHER M10X25",2,2,,,,,,,,,,,,,,,,,  
14,1,,26116-120552,, "BOLT M12X 55 PLATED",2,2,,,,,,,,,,,,,,,,,  
15,1,,23000-035000,, "CLAMP 35",6,6,,,,,,,,,,,,,,,,,  
16,1,,172168-78450,, "HOSE G308BC092",1,1,,,,,,,,,,,,,,,,,  
17,1,,172142-78500,,HOSE,1,1,,,,,,,,,,,,,,,,,  
18,1,,172142-78510,,HOSE,1,1,,,,,,,,,,,,,,,,,  
19,1,,172142-78850,,HOSE,1,1,,,,,,,,,,,,,,,,,  
20,1,,172142-78950,, "CLAMP(A), HOSE",1,1,,,,,,,,,,,,,,,,,  
21,1,,172142-78960,, "CLAMP(B), HOSE",1,1,,,,,,,,,,,,,,,,,  
22,1,,22217-120000,, "WASHER 12,SPRING",1,1,,,,,,,,,,,,,,,,,  
23,1,,26116-120602,, "BOLT M12X 60 PLATED",1,1,,,,,,,,,,,,,,,,,  
24,1,,172142-78780,, "COVER, HOSE",1,1,,,,,,,,,,,,,,,,,  
25,1,,23000-041000,, "CLAMP 41",6,6,,,,,,,,,,,,,,,,,  
26,1,,172142-78810,, "COVER 24-400, HOSE",1,1,,,,,,,,,,,,,,,,,  
27,1,,172142-78820,, "COVER 24-780, HOSE",1,1,,,,,,,,,,,,,,,,,  
28,1,,172151-79410,,HOSE,1,1,,,,,,,,,,,,,,,,,  
29,1,,172142-78790,, "COVER 20-600, HOSE",1,1,,,,,,,,,,,,,,,,,

Fig. 58 HYD. OIL PIPING (P. T. O. VALVE, BOOM)



1,1,,172156-76100,, "JOINT PF1/2-19",1,1,,,,,,,,,,,,,  
2,1,,172148-76110,, "JOINT, HOSE",1,1,,,,,,,,,,,,,  
3,1,,172168-76110,, "JOINT ASSY",1,1,,,,,,,,,,,,,  
4,1,,172123-76120,, "CONNECTOR PF1/4",1,1,,,,,,,,,,,,,  
5,1,,172157-76150,, "CONNECTOR 3/8-1/4",1,1,,,,,,,,,,,,,  
6,1,,172157-76150,, "CONNECTOR 3/8-1/4",1,1,,,,,,,,,,,,,  
7,1,,172168-76150,, "CONNECTOR  
UN7/8PF1/2",1,1,,,,,Z,,72168183,M30891,72168183,M30891,,,,,,,,,I  
8,2,,933152-07400,, "O-RING  
(A)",1,1,,,,,Z,,72168183,M30891,72168183,M30891,,,,,,,,,I  
9,1,,172168-76160,, "CONNECTOR PF1/2-3/8",1,1,,,,,,,,,,,,,  
9-1,1,,172730-  
75140,,ADAPTOR,1,1,,,,,S,,72168183,M30891,72168183,M30891,,,,,,,,,I  
10,2,,24315-000140,, "O-RING 1B P-  
14.0",1,1,,,,,Z,,72168183,M30891,72168183,M30891,,,,,,,,,I  
11,1,,172165-76270,,NIPPLE,1,1,,,,,,,,,,,,,  
12,1,,23391-020000,, "JOINT RGI1/4",1,1,,,,,,,,,,,,,  
13,1,,23393-020000,, "JOINT 90RGI1/4",1,1,,,,,,,,,,,,,  
14,1,,23393-030000,, "JOINT 90RGI 3/8",1,1,,,,,,,,,,,,,  
15,1,,23871-020000,, "PLUG PT1/4,SCREW",1,1,,,,,,,,,,,,,  
16,1,,24315-000110,, "O-RING 1B P-11.0",1,1,,,,,,,,,,,,,  
17,1,,24315-000140,, "O-RING 1B P-14.0",1,1,,,,,,,,,,,,,  
18,1,,172141-76220,,NIPPLE,1,1,,,,,,,,,,,,,  
19,1,,24315-000140,, "O-RING 1B P-14.0",1,1,,,,,,,,,,,,,  
20,1,,24315-000180,, "O-RING 1B P-18.0",1,1,,,,,,,,,,,,,  
21,1,,26013-100202,, "BOLT W/WASHER M10X20",2,2,,,,,,,,,,,,,  
22,1,,172165-76220,,NIPPLE,1,1,,,,,,,,,,,,,  
23,1,,172171-78130,, "HOSE G812YY035",1,1,,,,,,,,,,,,,  
24,1,,172168-78170,, "HOSE P204CE140",1,1,,,,,,,,,,,,,  
25,1,,172168-78300,, "HOSE G704YY025",1,1,,,,,,,,,,,,,  
25-1,1,,172148-78190,,HOSE,1,1,,,,,S,,72171020,M30504,72171020,M30504,,,,,,,,,  
26,1,,172168-78270,, "HOSE G608BB026",1,1,,,,,,,,,,,,,  
26-1,1,,172168-78271,, "HOSE  
G606EY127S",1,1,,,,,S,,72168183,M30891,72168183,M30891,,,,,,,,,I  
27,1,,172168-78400,, "HOSE G803BY050",1,1,,,,,,,,,,,,,  
28,1,,172168-78890,, "HOSE G804EY050",1,1,,,,,,,,,,,,,  
29,1,,23000-016000,, "CLAMP 16",1,1,,,,,,,,,,,,,  
30,1,,23000-035000,, "CLAMP 35",4,4,,,,,,,,,,,,,  
31,1,,23010-014000,, "CLAMP 14",3,3,,,,,,,,,,,,,  
32,1,,23010-014000,, "CLAMP 14",1,1,,,,,,,,,,,,,  
33,1,,23010-014000,, "CLAMP 14",1,1,,,,,,,,,,,,,  
34,1,,172168-78300,, "HOSE G704YY025",1,1,,,,,,,,,,,,,  
35,1,,172126-11510,, "BAND 300",2,2,,,,,,,,,,,,,  
36,1,,172165-76590,, "PLUG  
PF1/4",1,1,,,,,Z,,72171036,M30501,72171036,M30501,,,,,,,,,I  
37,1,,24315-000110,, "O-RING 1B P-  
11.0",1,1,,,,,Z,,72171036,M30501,72171036,M30501,,,,,,,,,I  
38,1,,172171-78210,, "HOSE  
G804CY022",1,1,,,,,Z,,72171020,M30504,72171020,M30504,,,,,,,,,  
39,1,,172141-76220,,NIPPLE,1,1,,,,,Z,,72171020,M30504,72171020,M30504,,,,,,,,,  
40,1,,172123-76120,, "CONNECTOR  
PF1/4",1,1,,,,,Z,,72171020,M30504,72171020,M30504,,,,,,,,,  
41,1,,24315-000110,, "O-RING 1B P-  
11.0",1,1,,,,,Z,,72171020,M30504,72171020,M30504,,,,,,,,,  
42,1,,23010-014000,, "CLAMP 14",1,1,,,,,Z,,72171020,M30504,72171020,M30504,,,,,,,,,  
43,1,,23000-022000,, "CLAMP  
22",1,1,,,,,W,,72168183,M30891,72168183,M30891,,,,,,,,,I  
44,1,,24315-000140,, "O-RING 1B P-  
14.0",1,1,,,,,W,,72168183,M30891,72168183,M30891,,,,,,,,,I

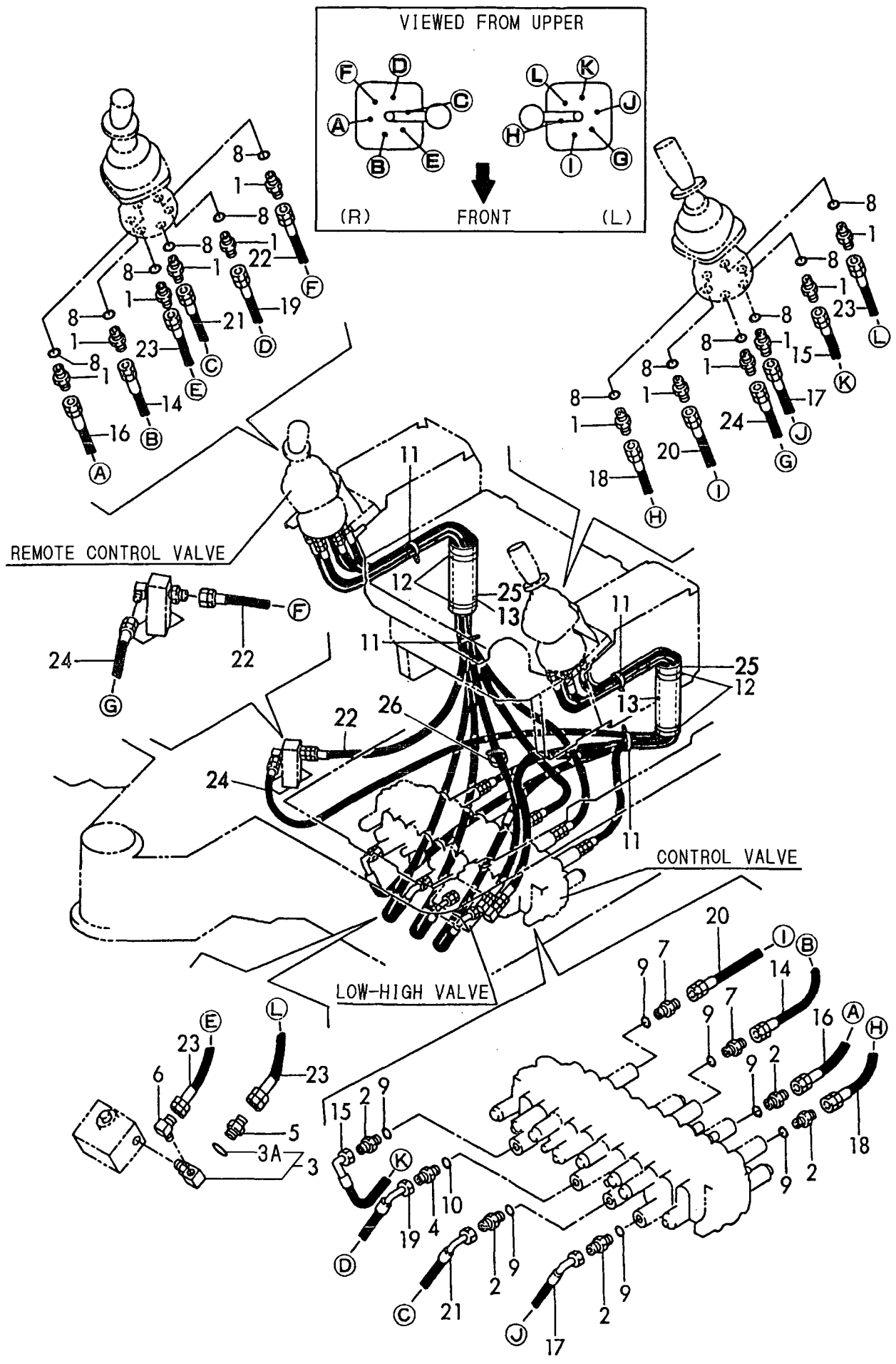
**Fig. 59** CONTROL PIPING (PUMP-LOW-HIGH VALVE-RETURN)



1,1,,172123-76120,, "CONNECTOR PF1/4",12,12,,,,,,,,,,,,,  
2,1,,172123-76120,, "CONNECTOR PF1/4",5,5,,,,,,,,,,,,,  
3,1,,172165-76550,,CONNECTOR,1,1,,,,,,,,,,,,,  
3A,2,,24315-000110,, "O-RING 1B P-  
11.0",1,1,,,,,W,,72165439,M31450,72165439,M31450,,,,,,,,,I  
4,1,,172168-76550,, "JOINT PF1/4-0.9",1,1,,,,,,,,,,,,,  
5,1,,172165-76560,,ADAPTOR,1,1,,,,,,,,,,,,,  
6,1,,172165-76570,,ELBOW,1,1,,,,,,,,,,,,,  
7,1,,172162-76770,, "JOINT PF1/4",2,2,,,,,,,,,,,,,  
8,1,,24315-000110,, "O-RING 1B P-11.0",12,12,,,,,,,,,,,,,  
9,1,,24315-000110,, "O-RING 1B P-11.0",7,7,,,,,,,,,,,,,  
10,1,,24315-000110,, "O-RING 1B P-11.0",1,1,,,,,,,,,,,,,  
11,1,,194202-56460,,BAND,6,6,,,,,,,,,,,,,  
12,1,,172122-79930,,CLAMP,4,4,,,,,,,,,,,,,  
13,1,,172165-79810,,SPONGE,2,2,,,,,,,,,,,,,  
14,1,,172165-79220,,HOSE,1,1,,,,,,,,,,,,,  
15,1,,172165-79290,,HOSE,1,1,,,,,,,,,,,,,  
16,1,,172165-79300,,HOSE,1,1,,,,,,,,,,,,,  
17,1,,172165-79310,,HOSE,1,1,,,,,,,,,,,,,  
18,1,,172165-79340,,HOSE,1,1,,,,,,,,,,,,,  
19,1,,172165-79350,,HOSE,1,1,,,,,,,,,,,,,  
20,1,,172165-79360,,HOSE,1,1,,,,,,,,,,,,,  
21,1,,172165-79370,,HOSE,1,1,,,,,,,,,,,,,  
22,1,,172165-79600,,HOSE,1,1,,,,,,,,,,,,,  
23,1,,172165-79620,,HOSE,2,2,,,,,,,,,,,,,  
24,1,,172165-79640,,HOSE,1,1,,,,,,,,,,,,,  
25,1,,172165-79820,,COVER,2,2,,,,,,,,,,,,,  
26,1,,172126-11510,, "BAND 300",2,2,,,,,,,,,,,,,

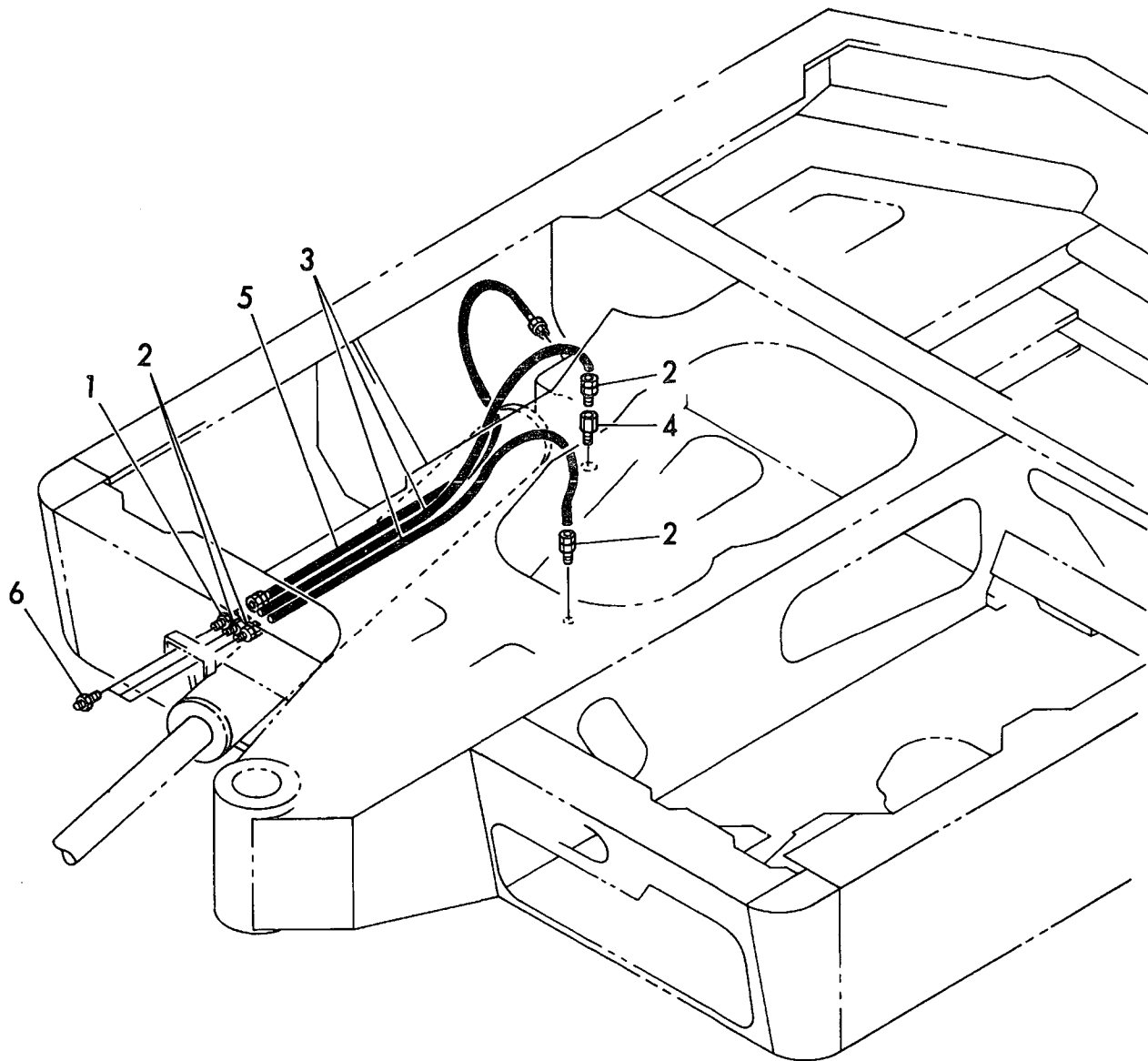


Fig. 60 CONTROL PIPING (DIRECT)



1,1,,172112-77580,, "JOINT 1/8",1,1,,,,,,,,,,,,,,,,,,,,,  
2,1,,172141-77800,, "JOINT, GREASE",4,4,,,,,,,,,,,,,,,,,,,,,  
3,1,,172142-77811,, HOSE,2,2,,,,,,,,,,,,,,,,,,,,,  
4,1,,172312-77820,, "FITTING, GREASE",1,1,,,,,,,,,,,,,,,,,,,,,  
5,1,,172149-78500,, HOSE,1,1,,,,,,,,,,,,,,,,,,,,,  
6,1,,24761-020000,, "NIPPLE PT1/8,GREASE",3,3,,,,,,,,,,,,,,,,,,,,,

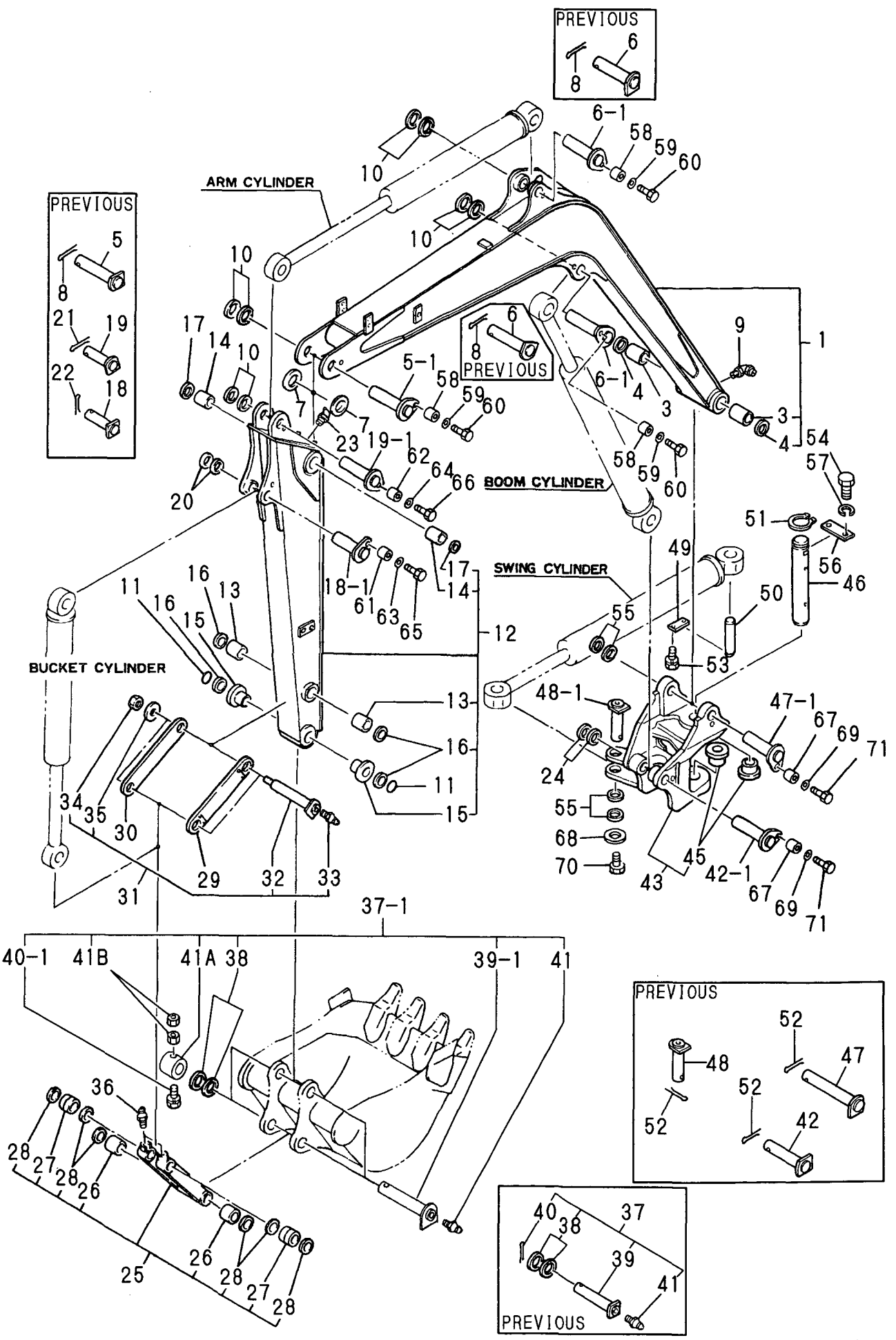
Fig. **61** GREASING



1,1,,172171-81350,, "BOOM (3RD",1,1,,,,,,,,,,,,,  
1-1,1,,172171-81351,, "BOOM ASSY,  
3RD",1,1,,,,,S,,72171061,M31270,72171061,M31270,,,,,,,,,I  
3,2,,172116-82400,, "PIN BUSH 38X55",2,2,,,,,,,,,,,,,  
4,2,,172122-82290,, "SEAL, DUST",2,2,,,,,,,,,,,,,  
4-1,2,,172168-81400,, "SEAL,DUST  
38X48X4",2,2,,,,,R,,72168192,M30951,72168192,M30951,,,,,,,,,I  
5,1,,172141-81400,, "PIN 38-160",1,1,,,,,,,,,,,,,  
5-1,1,,172141-81401,, "PIN 38-  
164",1,1,,,,,S,,72171061,M31270,72171061,M31270,,,,,,,,,I  
6,1,,172141-81420,, "PIN 38-115",2,2,,,,,,,,,,,,,  
6-1,1,,172141-81421,, "PIN 38-  
120",2,2,,,,,S,,72171061,M31270,72171061,M31270,,,,,,,,,I  
7,1,,172171-82510,, "SHIM 39X75 COMP",2,2,,,,,,,,,,,,,  
8,1,,22417-800500,, "COTTER PIN  
8.0X50",3,3,,,,,Z,,72171061,M31270,72171061,M31270,,,,,,,,,I  
9,1,,24761-050000,, "NIPPLE C,GREASE",1,1,,,,,,,,,,,,,  
10,1,,933171-29750,, "SHIM SET, PIN 38",4,4,,,,,,,,,,,,,  
11,1,,172171-81270,, "O-RING,2,2,,,,,,,,,,,,,  
12,1,,172141-82102,, "ARM ASSY(1080)",1,1,,,,,,,,,,,,,  
12-1,1,,172141-82103,, "ARM  
ASSY(1080)",1,1,,,,,S,,72171061,M31270,72171061,M31270,,,,,,,,,I  
13,2,,172141-82270,, "BUSH 35 45",2,2,,,,,,,,,,,,,  
14,2,,172141-82280,, "BUSH 38 45, PIN",2,2,,,,,,,,,,,,,  
15,2,,172171-81261,, "BUSH 35X50",2,2,,,,,,,,,,,,,  
16,2,,172171-81280,, "SEAL 35X45X4",4,4,,,,,,,,,,,,,  
17,2,,172122-82290,, "SEAL, DUST",2,2,,,,,,,,,,,,,  
17-1,2,,172168-81400,, "SEAL,DUST  
38X48X4",2,2,,,,,R,,72168192,M30951,72168192,M30951,,,,,,,,,I  
18,1,,172141-82300,, "PIN 38-86",1,1,,,,,,,,,,,,,  
18-1,1,,172141-82301,, "PIN 35-  
92",1,1,,,,,S,,72171061,M31270,72171061,M31270,,,,,,,,,I  
19,1,,172141-82330,, "PIN 38-86",1,1,,,,,,,,,,,,,  
19-1,1,,172122-82302,, "PIN ASSY,  
ARM",1,1,,,,,S,,72171061,M31270,72171061,M31270,,,,,,,,,I  
20,1,,172141-84600,, "SHIM 35",2,2,,,,,,,,,,,,,  
21,1,,22417-800500,, "COTTER PIN  
8.0X50",1,1,,,,,Z,,72171061,M31270,72171061,M31270,,,,,,,,,I  
22,1,,22417-800450,, "COTTER PIN  
8.0X45",1,1,,,,,Z,,72171061,M31270,72171061,M31270,,,,,,,,,I  
23,1,,24761-040000,, "NIPPLE B,GREASE",1,1,,,,,,,,,,,,,  
24,1,,933171-29750,, "SHIM SET, PIN 38",1,1,,,,,,,,,,,,,  
25,1,,172141-84401,, "LINK W/BUSH, BUCKET",1,1,,,,,,,,,,,,,  
26,2,,172141-82270,, "BUSH 35 45",2,2,,,,,,,,,,,,,  
27,2,,172141-72561,, "BUSH 35 40 A, PIN",2,2,,,,,,,,,,,,,  
28,2,,172171-81280,, "SEAL 35X45X4",6,6,,,,,,,,,,,,,  
29,1,,172141-84500,, "ARM(L), BUCKET",1,1,,,,,,,,,,,,,  
30,1,,172141-84510,, "ARM(R), BUCKET",1,1,,,,,,,,,,,,,  
31,1,,172141-99470,, "KIT, ARM PIN",1,1,,,,,,,,,,,,,  
32,2,,172141-84550,, "PIN 35-152",2,2,,,,,,,,,,,,,  
33,2,,24761-020000,, "NIPPLE PT1/8,GREASE",2,2,,,,,,,,,,,,,  
34,2,,933110-86600,, "NUT M24, NYLON",2,2,,,,,,,,,,,,,  
35,2,,933171-29760,, "WASHER,2,2,,,,,,,,,,,,,  
36,1,,24761-020000,, "NIPPLE PT1/8,GREASE",2,2,,,,,,,,,,,,,  
37,1,,172141-99460,, "PIN KIT, BUCKET",1,1,,,,,,,,,,,,,  
37-1,1,,172141-99461,, "PIN KIT,  
BUCKET",1,1,,,,,N,,72171061,M31270,72171061,M31270,,,,,,,,,I  
38,2,,172141-84600,, "SHIM 35",1,1,,,,,,,,,,,,,  
39,2,,172141-86251,, "PIN 35-188 CMP",2,2,,,,,,,,,,,,,  
39-1,2,,172141-86252,, "PIN 35-  
195",2,2,,,,,S,,72171061,M31270,72171061,M31270,,,,,,,,,I  
40,2,,22417-800450,, "COTTER PIN 8.0X45",2,2,,,,,,,,,,,,,

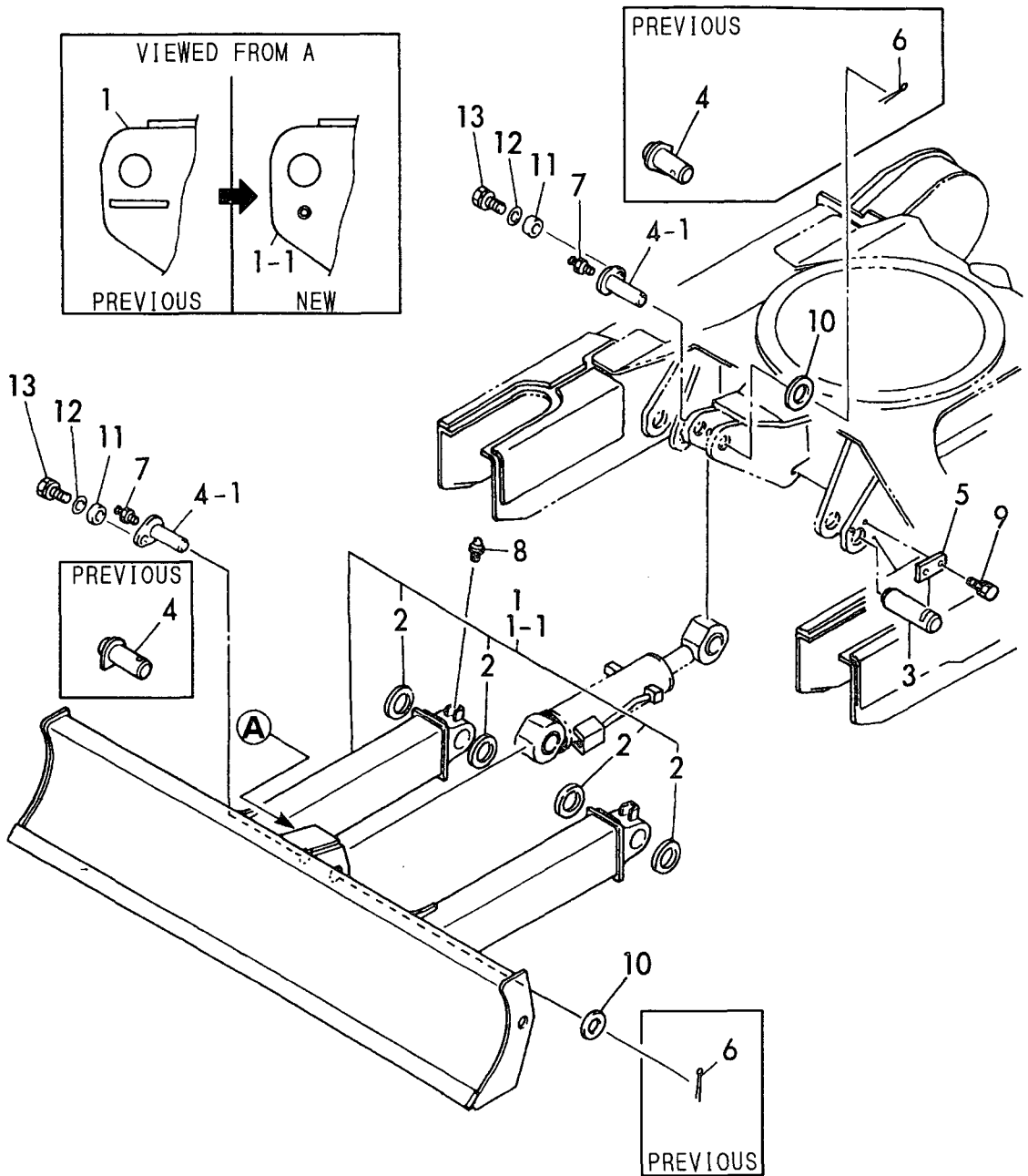
40-1,2,,26116-100702,, "BOLT M10X 70  
PLATED",2,2,,,,,S,,72171061,M31270,72171061,M31270,,,,,,I  
40-2,2,,26116-100652,, "BOLT M10X 65  
PLATED",2,2,,,,,N,,72164212,M31270,72164212,M31270,,,,,,I  
41,2,,24761-020000,, "NIPPLE PT1/8,GREASE",2,2,,,,,,  
41A,2,,172171-81500,, COLLAR,2,2,,,,,W,,72171061,M31270,72171061,M31270,,,,,,I  
41B,2,,26716-100002,, "NUT  
M10",4,4,,,,,W,,72171061,M31270,72171061,M31270,,,,,,I  
42,1,,172141-81400,, "PIN 38-160",1,1,,,,,  
42-1,1,,172141-81401,, "PIN 38-  
164",1,1,,,,,S,,72171061,M31270,72171061,M31270,,,,,,I  
43,1,,172141-83290,, BRACKET,1,1,,,,,  
43-1,1,,172141-83291,, "BRACKET,  
BOOM",1,1,,,,,S,,72171061,M31270,72171061,M31270,,,,,,I  
45,2,,172141-83330,, "BUSH 50X45",2,2,,,,,  
46,1,,172171-82310,, "PIN 50X292",1,1,,,,,  
47,1,,172141-83340,, "PIN 38-223",1,1,,,,,  
47-1,1,,172141-83341,, "PIN 38-  
226",1,1,,,,,S,,72171061,M31270,72171061,M31270,,,,,,I  
48,1,,172141-83371,, "PIN 38-97",1,1,,,,,  
48-1,1,,172141-83372,, "PIN 38-  
94",1,1,,,,,S,,72171061,M31270,72171061,M31270,,,,,,I  
49,1,,172141-83390,, "PLATE, PIN LOCK",1,1,,,,,  
50,1,,172141-94260,, "PIN 38-130",1,1,,,,,  
51,1,,22242-000500,, "CIRCLIP 50",1,1,,,,,  
52,1,,22417-800500,, "COTTER PIN  
8.0X50",3,3,,,,,Z,,72171061,M31270,72171061,M31270,,,,,,I  
53,1,,26013-100252,, "BOLT W/WASHER M10X25",2,2,,,,,  
54,1,,26116-160402,, "BOLT M16X 40 PLATED",2,2,,,,,  
55,1,,933171-29750,, "SHIM SET, PIN 38",4,4,,,,,  
56,1,,172141-83400,, PLATE,1,1,,,,,  
57,1,,22217-160000,, "SPRING WASHER 16",2,2,,,,,  
58,1,,172164-81670,, SPACER,3,3,,,,,W,,72171061,M31270,72171061,M31270,,,,,,I  
59,1,,22157-120000,, "WASHER  
12",3,3,,,,,W,,72171061,M31270,72171061,M31270,,,,,,I  
60,1,,26013-120302,, "BOLT W/WASHER  
M12X30",3,3,,,,,W,,72171061,M31270,72171061,M31270,,,,,,I  
61,1,,172010-01640,, SPACER,1,1,,,,,W,,72171061,M31270,72171061,M31270,,,,,,I  
62,1,,172164-81670,, SPACER,1,1,,,,,W,,72171061,M31270,72171061,M31270,,,,,,I  
63,1,,22157-100000,, "WASHER  
10",1,1,,,,,W,,72171061,M31270,72171061,M31270,,,,,,I  
64,1,,22157-120000,, "WASHER  
12",1,1,,,,,W,,72171061,M31270,72171061,M31270,,,,,,I  
65,1,,26013-100252,, "BOLT W/WASHER  
M10X25",1,1,,,,,W,,72171061,M31270,72171061,M31270,,,,,,I  
66,1,,26013-120302,, "BOLT W/WASHER  
M12X30",1,1,,,,,W,,72171061,M31270,72171061,M31270,,,,,,I  
67,1,,172164-81670,, SPACER,2,2,,,,,W,,72171061,M31270,72171061,M31270,,,,,,I  
68,1,,172146-82910,, SPACER,1,1,,,,,W,,72171061,M31270,72171061,M31270,,,,,,I  
69,1,,22157-120000,, "WASHER  
12",2,2,,,,,W,,72171061,M31270,72171061,M31270,,,,,,I  
70,1,,26013-120252,, "BOLT M12X  
25",1,1,,,,,W,,72171061,M31270,72171061,M31270,,,,,,I  
71,1,,26013-120302,, "BOLT W/WASHER  
M12X30",2,2,,,,,W,,72171061,M31270,72171061,M31270,,,,,,I

Fig. 62 BOOM & ARM



1,1,,172141-94102,, "BLADE ASSY, 850",1,1,,,,,,,,,,,,,  
1-1,1,,172141-94103,, "BLADE 850  
COMPL.",1,1,,,,,S,,72171061,M31270,72171061,M31270,,,,,,I  
2,2,,172168-81270,, "SEAL,DUST 38X50X4",4,4,,,,,,,,,,,,,  
3,1,,172141-94260,, "PIN 38-130",2,2,,,,,,,,,,,,,  
4,1,,172141-94270,, "PIN 38-90",2,2,,,,,,,,,,,,,  
4-1,1,,172141-94271,, "PIN 38-  
94",2,2,,,,,S,,72171061,M31270,72171061,M31270,,,,,,I  
5,1,,172124-94310,, "PLATE, LOCK",2,2,,,,,,,,,,,,,  
6,1,,22417-800560,, "COTTER PIN 8.0X  
56",2,2,,,,,Z,,72171061,M31270,72171061,M31270,,,,,,I  
7,1,,24761-020000,, "NIPPLE PT1/8,GREASE",2,2,,,,,,,,,,,,,  
8,1,,24761-040000,, "NIPPLE B,GREASE",2,2,,,,,,,,,,,,,  
9,1,,26013-100252,, "BOLT W/WASHER M10X25",4,4,,,,,,,,,,,,,  
10,1,,933171-29750,, "SHIM SET, PIN 38",2,2,,,,,,,,,,,,,  
11,1,,172164-81670,, "SPACER",2,2,,,,,W,,72171061,M31270,72171061,M31270,,,,,,I  
12,1,,22157-120000,, "WASHER  
12",2,2,,,,,W,,72171061,M31270,72171061,M31270,,,,,,I  
13,1,,26013-120302,, "BOLT W/WASHER  
M12X30",2,2,,,,,W,,72171061,M31270,72171061,M31270,,,,,,I

Fig. 63 BLADE (850)





Y00S3241,"Construction equipment",Excavator,B  
[Info]  
PcNo=Y00S3241  
PcName=B22-2(EP)(B4741)  
JpnUse=0  
JpnSec1=  
JpnSec2=  
JpnSec3=  
JpnPreface=0  
EngUse=1  
EngSec1=CONSTRUCTION  
EngSec2=EXCAVATOR (B)  
EngSec3=B  
EngPreface=1

0,Y00S3241

1,001,, "VEHICLE B22-2(EP)"  
2,1,, LABEL(CABIN), "B22-2 C(R)EP", "B22-2 P(R)EP",,  
2,2,, LABEL(CANOPY), "B22-2 C(R)EP", "B22-2 P(R)EP",,  
2,3,, "INLETHOSE & EXHAUST PIPE", "B22-2 C(R)EP", "B22-2 P(R)EP",,  
2,4,, ACCELERATOR, "B22-2 C(R)EP", "B22-2 P(R)EP",,  
2,5,, "ENGINE MOUNT", "B22-2 C(R)EP", "B22-2 P(R)EP",,  
2,6,, "RADIATOR & MOUNT", "B22-2 C(R)EP", "B22-2 P(R)EP",,  
2,7,, "FUEL TANK & FUEL PIPE", "B22-2 C(R)EP", "B22-2 P(R)EP",,  
2,8,, BATTERY, "B22-2 C(R)EP", "B22-2 P(R)EP",,  
2,9,, "ELECTRIC PART(CABIN,CANOPY)", "B22-2 C(R)EP", "B22-2 P(R)EP",,  
2,10,, "ELECTRIC PART(CABIN SPEC.)", "B22-2 C(R)EP", "B22-2 P(R)EP",,  
2,11,, "WORK LAMP", "B22-2 C(R)EP", "B22-2 P(R)EP",,  
2,12,, "HEATER & DEFROSTER", "B22-2 C(R)EP", "B22-2 P(R)EP",,  
2,13,, "ROLLER & ADJUST", "B22-2 C(R)EP", "B22-2 P(R)EP",,  
2,14,, CRAWLER, "B22-2 C(R)EP", "B22-2 P(R)EP",,  
2,15,, "CONTROL EQUIP.(LEVERSTAND)", "B22-2 C(R)EP", "B22-2 P(R)EP",,  
2,16,, "CONTROL EQUIPMENT(TRAVEL)", "B22-2 C(R)EP", "B22-2 P(R)EP",,  
2,17,, "CONTROL EQUIPMENT(SWING)", "B22-2 C(R)EP", "B22-2 P(R)EP",,  
2,18,, "CONTROL EQUIPMENT(BLADE)", "B22-2 C(R)EP", "B22-2 P(R)EP",,  
2,19,, "CONTROL EQUIP.(CUT OFF LEVER &)", "B22-2 C(R)EP", "B22-2 P(R)EP",,  
2,20,, "CONTROL EQUIP.(P.T.O.CONTROL)", "B22-2 C(R)EP", "B22-2 P(R)EP",,  
2,21,, "FRAME & TURNING BEARING", "B22-2 C(R)EP", "B22-2 P(R)EP",,  
2,22,, "FRAME COVER(CABIN)", "B22-2 C(R)EP", "B22-2 P(R)EP",,  
2,23,, "FRAME COVER(CANOPY)", "B22-2 C(R)EP", "B22-2 P(R)EP",,  
2,24,, "SEAT MOUNT & STEP", "B22-2 C(R)EP", "B22-2 P(R)EP",,  
2,25,, BONNET, "B22-2 C(R)EP", "B22-2 P(R)EP",,  
2,26,, CABIN, "B22-2 C(R)EP", "B22-2 P(R)EP",,  
2,27,, "CABIN DOOR", "B22-2 C(R)EP", "B22-2 P(R)EP",,  
2,28,, CANOPY, "B22-2 C(R)EP", "B22-2 P(R)EP",,  
2,29,, "HYD. OIL PUMP & JOINT", "B22-2 C(R)EP", "B22-2 P(R)EP",,  
2,30,, "BOOM CYLINDER", "B22-2 C(R)EP", "B22-2 P(R)EP",,  
2,31,, "ARM CYLINDER", "B22-2 C(R)EP", "B22-2 P(R)EP",,  
2,32,, "BUCKET CYLINDER", "B22-2 C(R)EP", "B22-2 P(R)EP",,  
2,33,, "SWING CYLINDER", "B22-2 C(R)EP", "B22-2 P(R)EP",,  
2,34,, "BLADE CYLINDER", "B22-2 C(R)EP", "B22-2 P(R)EP",,  
2,35,, "TRAVEL MOTOR(SING SPEED)(PREVI", "B22-2 C(R)EP", "B22-2 P(R)EP",,  
2,36,, "TRAVEL MOTOR(DOUBLE SPEED)(NEW", "B22-2 C(R)EP", "B22-2 P(R)EP",,  
2,37,, "TURNING MOTOR", "B22-2 C(R)EP", "B22-2 P(R)EP",,  
2,38,, "SWIVEL JOINT(SING SPEED)(PREVI", "B22-2 C(R)EP", "B22-2 P(R)EP",,  
2,39,, "SWIVEL JOINT(DOUBLE SPEED)(NEW", "B22-2 C(R)EP", "B22-2 P(R)EP",,  
2,40,, "CONTROL VALVE(P PORT & VALVE S", "B22-2 C(R)EP", "B22-2 P(R)EP",,  
2,41,, "CONTROL VALVE(TRAVEL & P.T.O.)", "B22-2 C(R)EP", "B22-2 P(R)EP",,  
2,42,, "CONTROL VALVE(ARM & SWING)", "B22-2 C(R)EP", "B22-2 P(R)EP",,  
2,43,, "CONTROL VALVE(BOOM & BUCKET)", "B22-2 C(R)EP", "B22-2 P(R)EP",,  
2,44,, "CONTROL VALVE(TURNING & BLADE)", "B22-2 C(R)EP", "B22-2 P(R)EP",,  
2,45,, "REMOTE CONTROL VALVE(LEFT)", "B22-2 C(R)EP", "B22-2 P(R)EP",,  
2,46,, "REMOTE CONTROL VALVE(RIGHT)", "B22-2 C(R)EP", "B22-2 P(R)EP",,  
2,47,, "LOW-HIGH VALVE", "B22-2 C(R)EP", "B22-2 P(R)EP",,  
2,48,, "P.T.O. VALVE", "B22-2 C(R)EP", "B22-2 P(R)EP",,  
2,49,, "HYD. OIL TANK", "B22-2 C(R)EP", "B22-2 P(R)EP",,  
2,50,, "HYD.OIL PIPING(TANK-PUMP-VALVE", "B22-2 C(R)EP", "B22-2 P(R)EP",,  
2,51,, "HYD.OIL PIPING(VALVE-MOTOR,BOO", "B22-2 C(R)EP", "B22-2 P(R)EP",,  
2,52,, "HYD.OIL PIPING(VALVE-SWIVEL,SW", "B22-2 C(R)EP", "B22-2 P(R)EP",,  
2,53,, "HYD.OIL PIPING(RETURN)", "B22-2 C(R)EP", "B22-2 P(R)EP",,  
2,54,, "HYD.OIL PIPING(P.T.O.VALVE,FRA", "B22-2 C(R)EP", "B22-2 P(R)EP",,  
2,55,, "HYD.OIL PIPING(TRAVEL)(SINGLE", "B22-2 C(R)EP", "B22-2 P(R)EP",,  
2,56,, "HYD.OIL PIPING(TRAVEL)(DOUBLE", "B22-2 C(R)EP", "B22-2 P(R)EP",,  
2,57,, "HYD.OIL PIPING(BOOM)", "B22-2 C(R)EP", "B22-2 P(R)EP",,  
2,58,, "HYD.OIL PIPING(P.T.O.VALVE,BOO", "B22-2 C(R)EP", "B22-2 P(R)EP",,  
2,59,, "CONTROL PIPING(PUMP-LOW-HIGH V", "B22-2 C(R)EP", "B22-2 P(R)EP",,  
2,60,, "CONTROL PIPING(DIRECT)", "B22-2 C(R)EP", "B22-2 P(R)EP",,  
2,61,, GREASING, "B22-2 C(R)EP", "B22-2 P(R)EP",,

2,62,, "BOOM & ARM", "B22-2 C(R)EP", "B22-2 P(R)EP", , ,  
2,63, ,BLADE(850), "B22-2 C(R)EP", "B22-2 P(R)EP", , ,