

# P R E F A C E

1. This parts catalog is the last edition of clawler back - hoe Model B22 - 2 for AMMANN  
YANMAR.(M/#20001~)

Issue No. : 000Y00S3351

Date of Issue : Dec., 1995

## 2. Model Neme

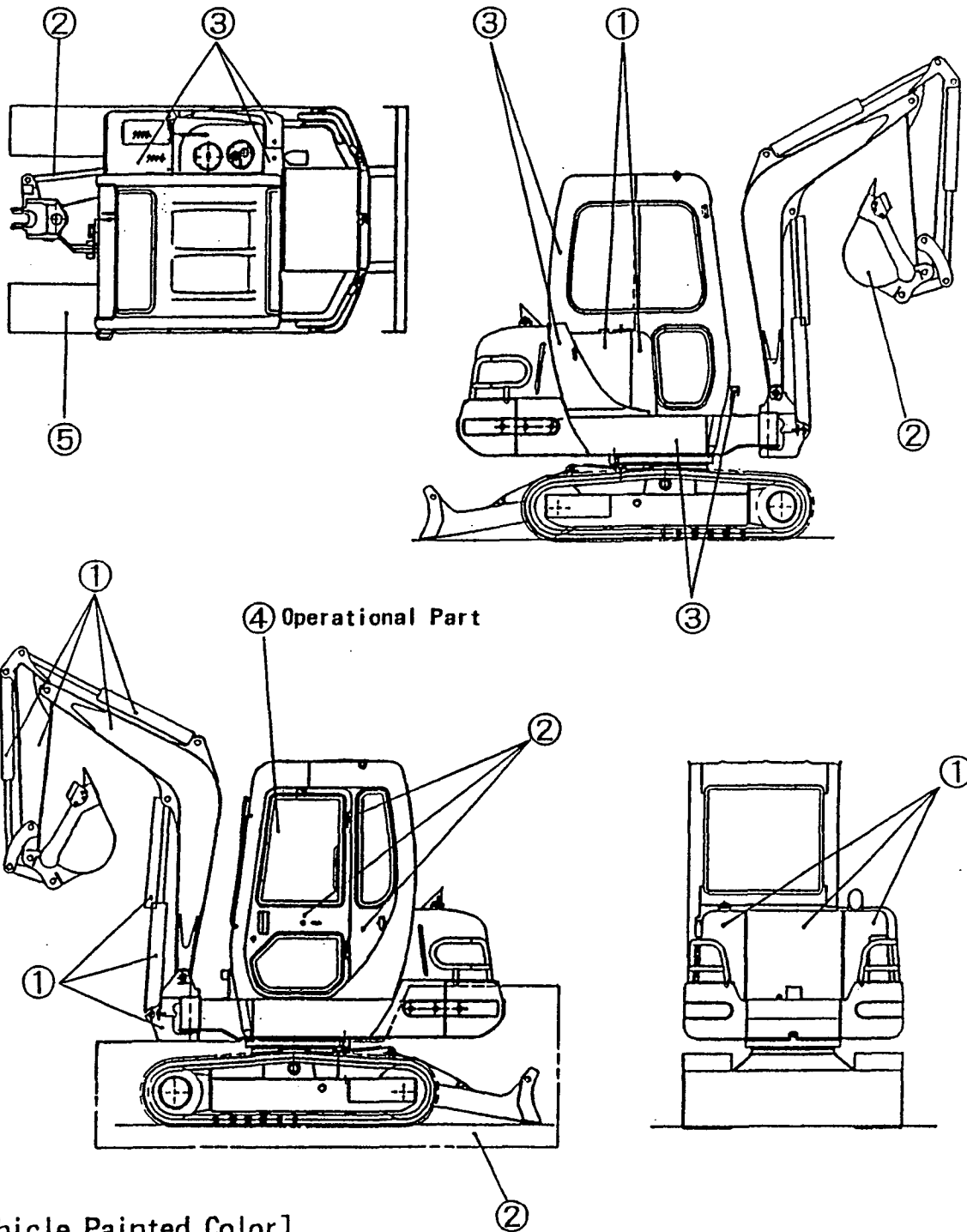
| SECTION        | Model            | Column | Column Name    | Code              |
|----------------|------------------|--------|----------------|-------------------|
| I<br>(Vehicle) | B22 - 2C AY - 1  | (A)    | B22 - 2 C(R)AY | 172174C           |
|                | B22 - 2CR AY - 1 | (A)    | B22 - 2 C(R)AY | 172174A           |
|                | B22 - 2P AY - 1  | (B)    | B22 - 2 P(R)AY | 172174D           |
|                | B22 - 2PR AY - 1 | (B)    | B22 - 2 P(R)AY | 172174B           |
| II<br>(Engine) | 3TN75L - RB1     | (A)    | 3TN75L - RB1   | Q19830A, BBB, U26 |

## 3. Parts catalog history

|             | Parts catalog No. | Published  | Note              |
|-------------|-------------------|------------|-------------------|
| 1st edition | 000Y00S3350       | Aug., 1993 | Scrap old edition |
| 1st revised | 000Y00S3351       | Dec., 1995 |                   |

4. The parts No. to be procured locally is 172162 - ○○○○○○.

# TABLE OF PAINTED COLOR

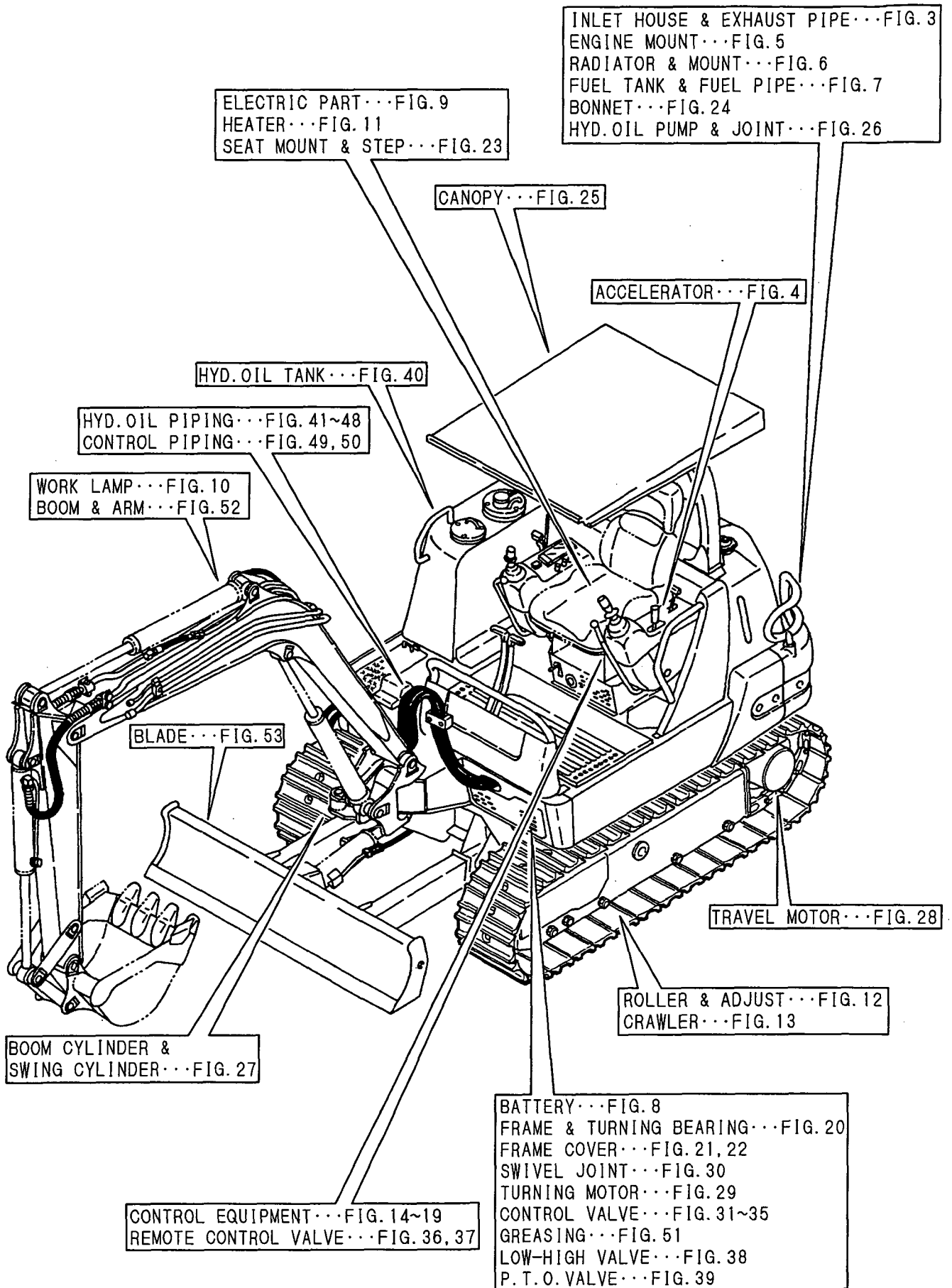


## [Vehicle Painted Color]

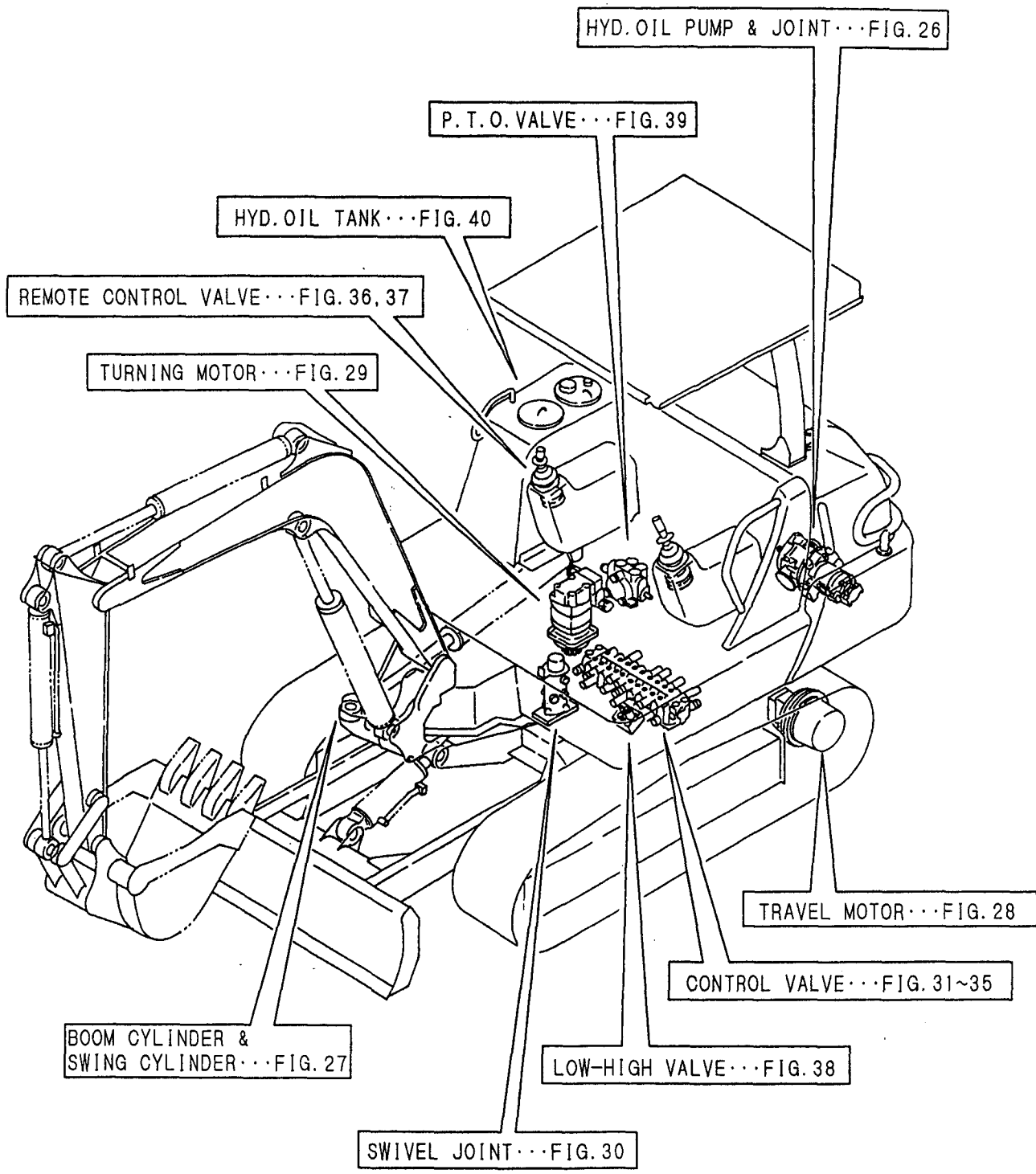
| Part | Paint color                 | Munsel No.        | 16L Can      | Spray        |
|------|-----------------------------|-------------------|--------------|--------------|
| ①    | YANMAR New Permanent Yellow | 5. 2Y8. 5/11      | 981101-09519 | 977620-30871 |
| ②    | YANMAR New Deep Green       | 0. 6B2. 2/4. 2    | 981101-09588 | 977620-30881 |
| ③    | YANMAR New Grayish Green    | 2. 9Bg4. 8/3. 0   | 981101-09616 | 977620-30861 |
| ④    | YANMAR Dark Olive Gray      | 5. 39Y2. 97/0. 78 | ----         | TOR-90460003 |
| ⑤    | YANMAR Charcoal Gray        | N2                | 981101-09516 | 977620-30371 |

# PICTURESQUE INDEX (1) . . . . . MAIN PARTS

LABEL . . . FIG. 1, 2



PICTURESQUE INDEX (2) . . . . . MAIN PARTS



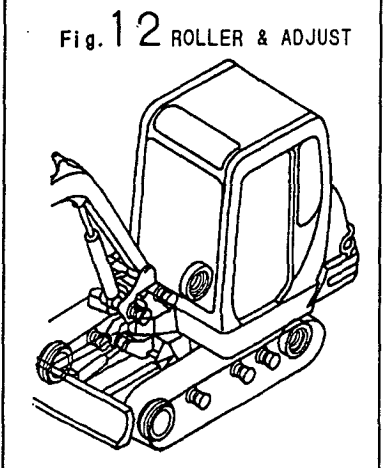
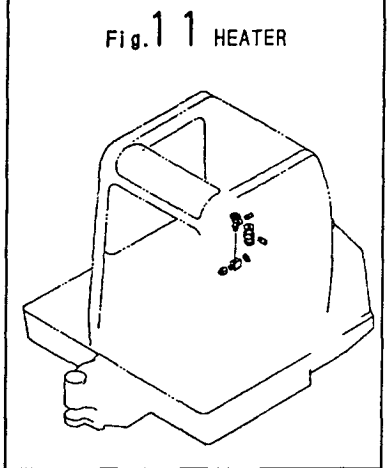
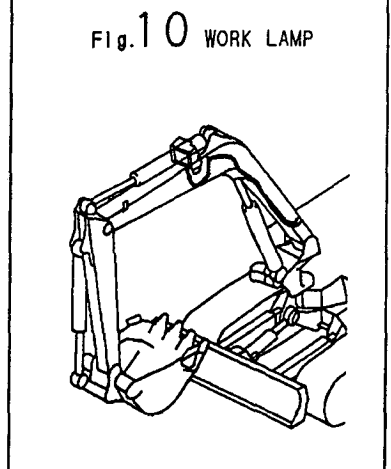
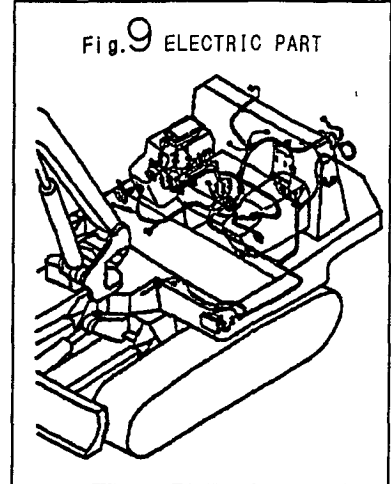
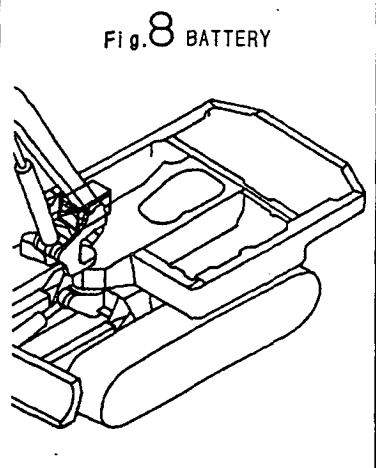
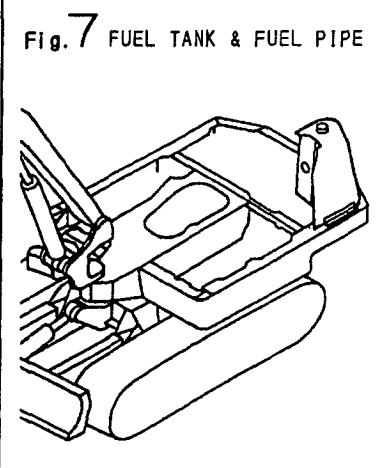
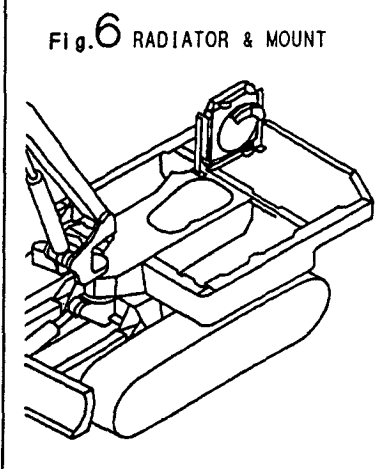
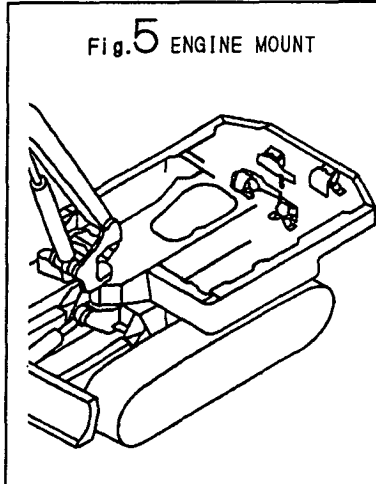
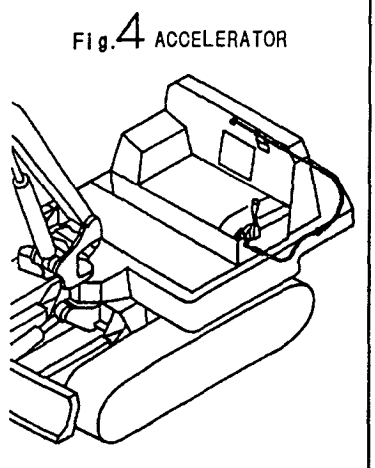
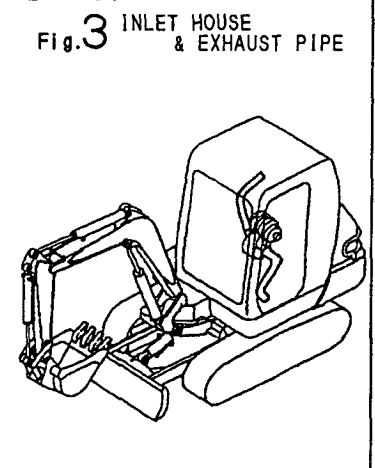
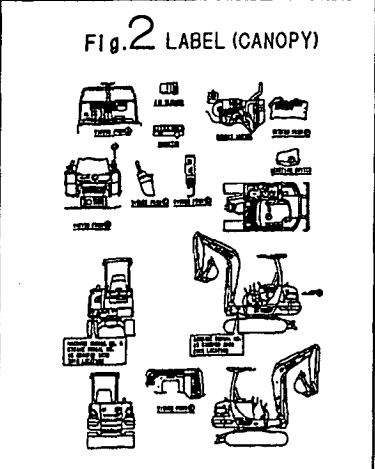
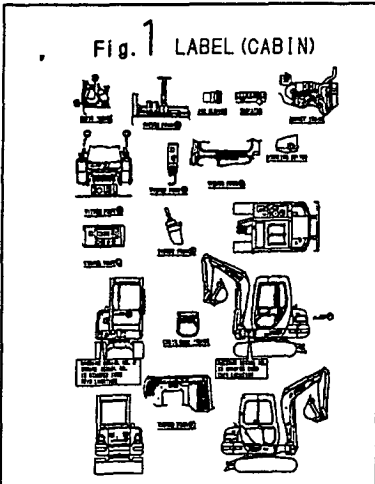


Fig. 13 CRAWLER

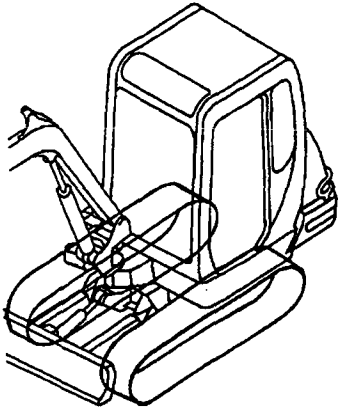


Fig. 17 CONTROL EQUIPMENT (BLADE)

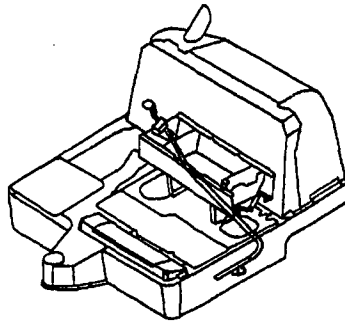


Fig. 21 FRAME COVER (CABIN)

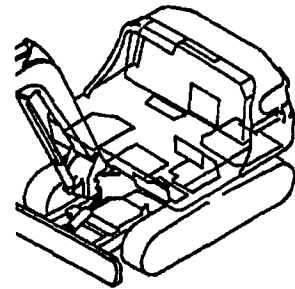


Fig. 14 CONTROL EQUIPMENT (LEVERSTAND)

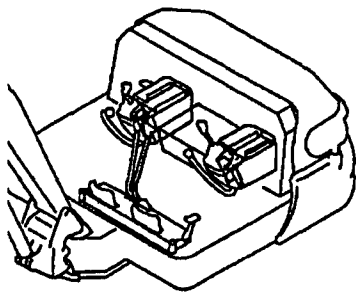


Fig. 18 CONTROL EQUIPMENT (CUT OFF LEVER & LOW-HIGH PEDAL)

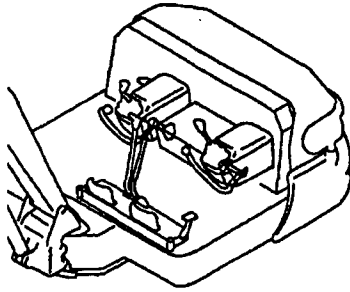


Fig. 22 FRAME COVER (CANOPY)

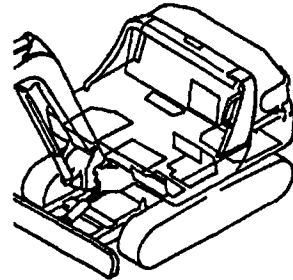


Fig. 15 CONTROL EQUIPMENT (TRAVEL)

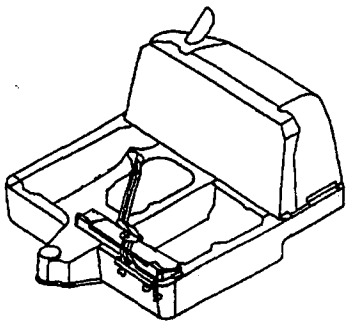


Fig. 19 CONTROL EQUIPMENT (P. T. O. CONTROL)

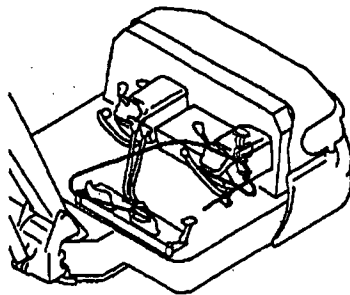


Fig. 23 SEAT MOUNT & STEP

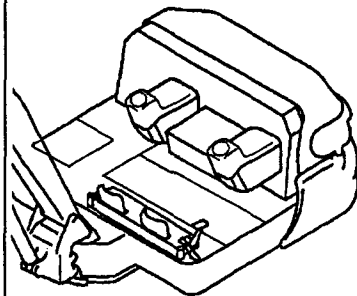


Fig. 16 CONTROL EQUIPMENT (SWING)

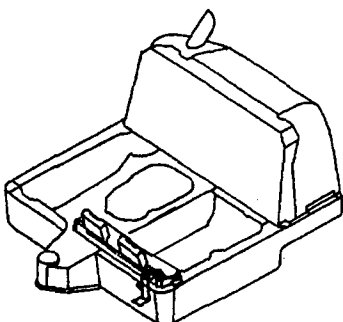


Fig. 20 FRAME & TURNING BEARING

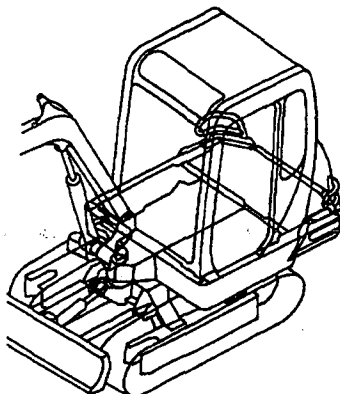
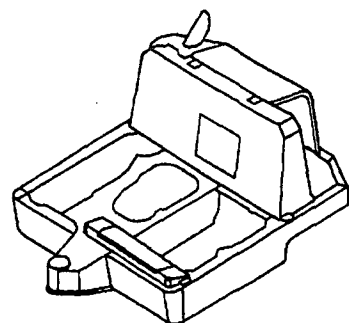


Fig. 24 BONNET



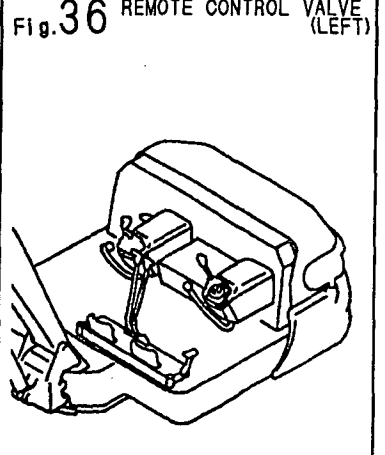
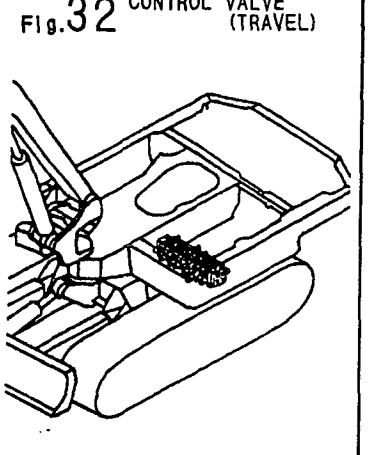
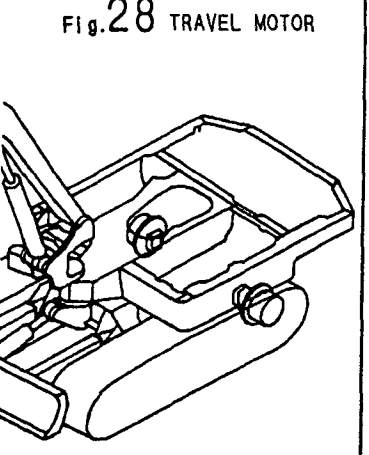
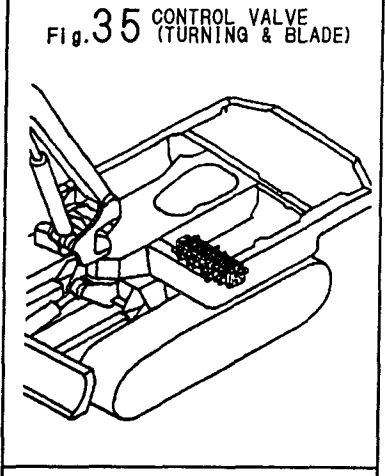
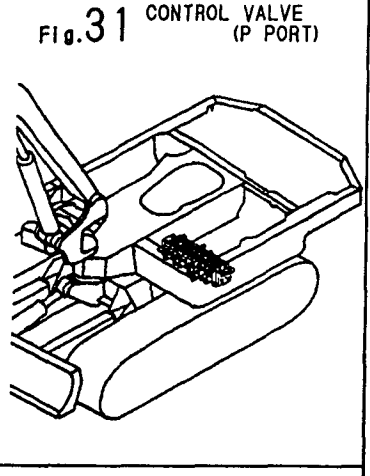
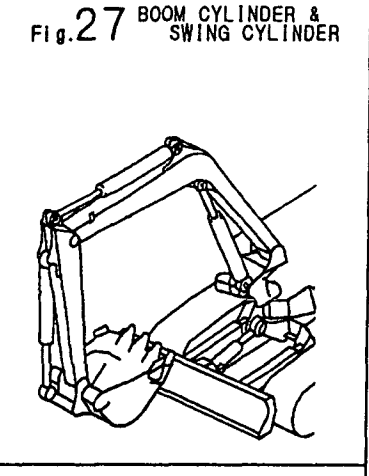
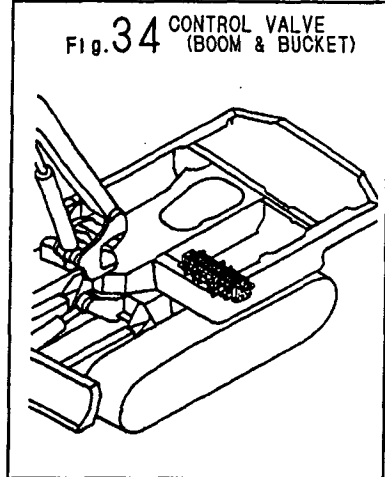
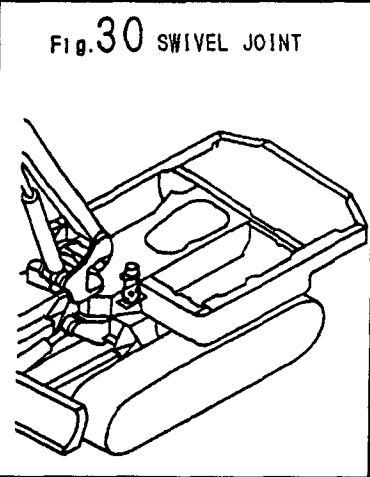
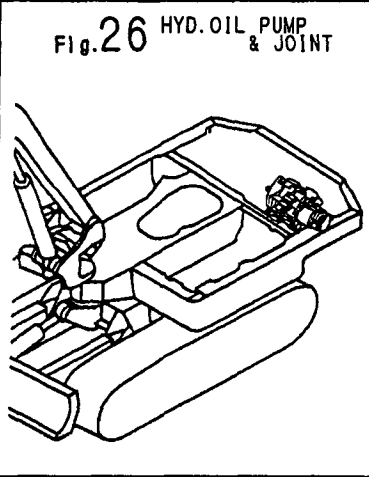
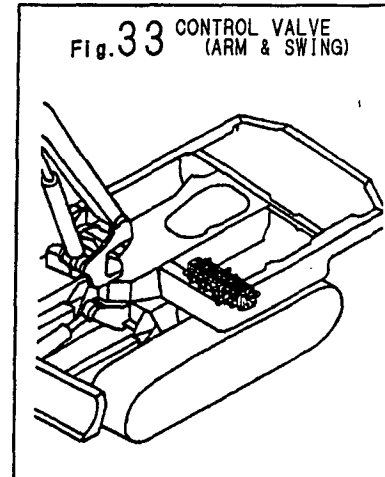
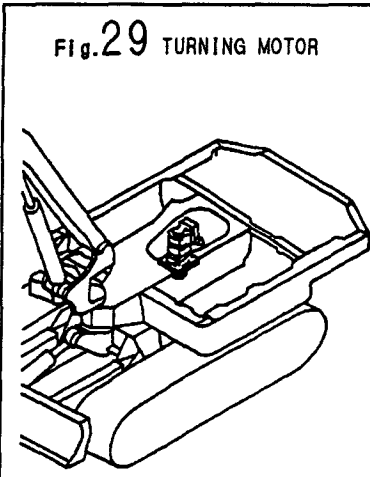
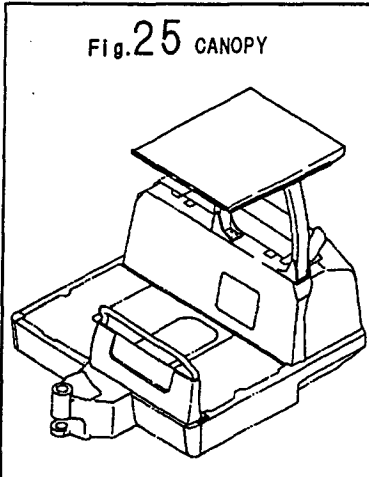


Fig. 37 REMOTE CONTROL VALVE (RIGHT)

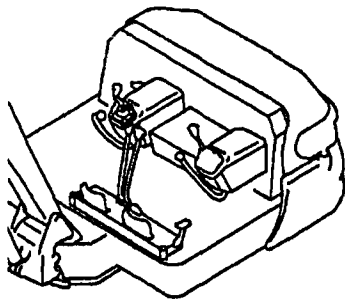


Fig. 38 LOW-HIGH VALVE

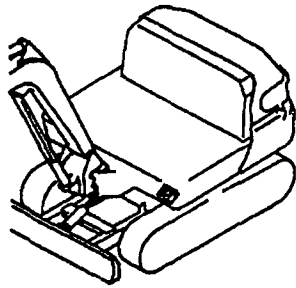


Fig. 39 P.T.O. VALVE

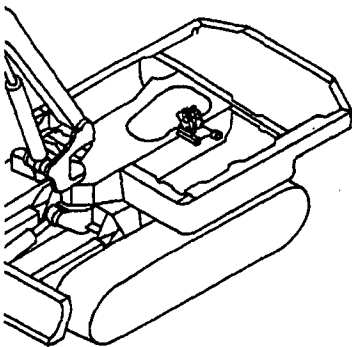


Fig. 40 HYD. OIL TANK

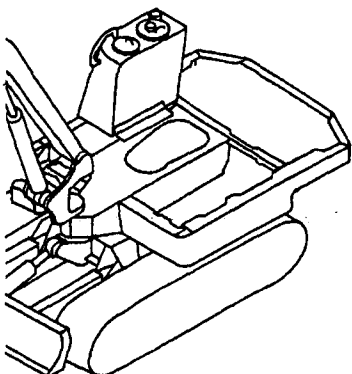


Fig. 41 HYD. OIL PIPING (TANK~PUMP~VALVE)

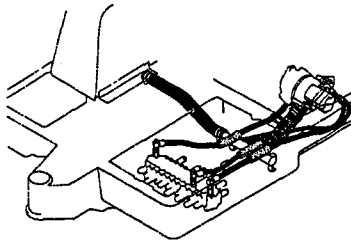


Fig. 42 HYD. OIL PIPING (VALVE~MOTOR, BOOM)

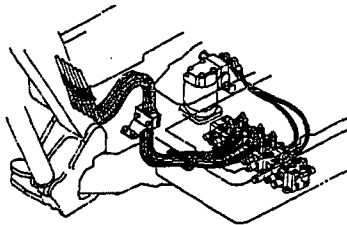


Fig. 43 HYD. OIL PIPING (VALVE~SWIVEL, SWING)

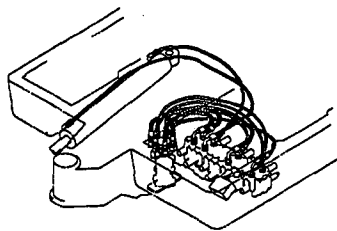


Fig. 44 HYD. OIL PIPING (RETURN)

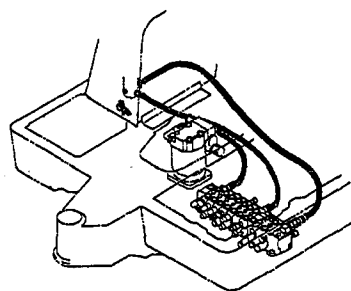


Fig. 45 HYD. OIL PIPING (P.T.O. VALVE, FRAME)

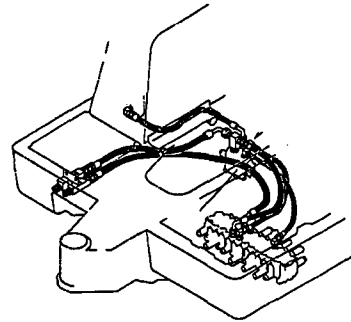


Fig. 46 HYD. OIL PIPING (TRAVEL)

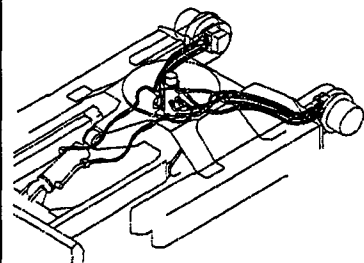


Fig. 47 HYD. OIL PIPING (BOOM)

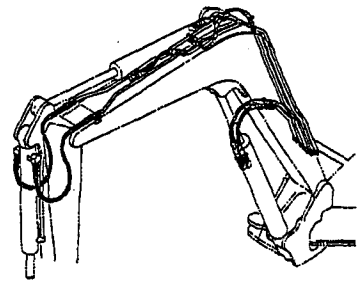


Fig. 48 HYD. OIL PIPING (P.T.O. VALVE, BOOM)

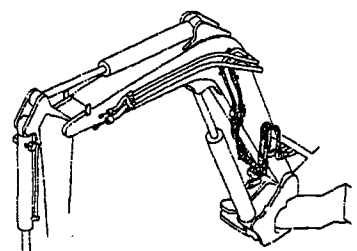




Fig. 49 CONTROL PIPING (PUMP~  
LOW-HIGH V~RETURN)

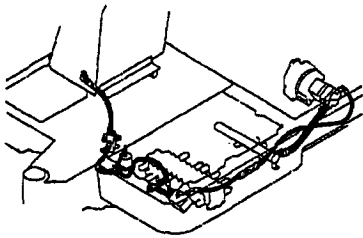


Fig. 53 BLADE

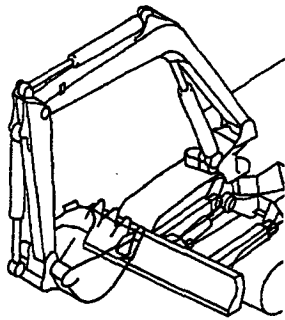


Fig. 50 CONTROL PIPING  
(DIRECT)

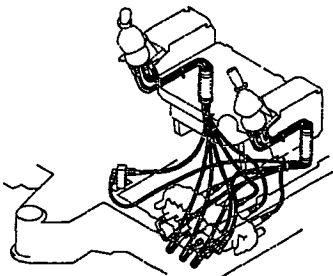


Fig. 51 GREASING

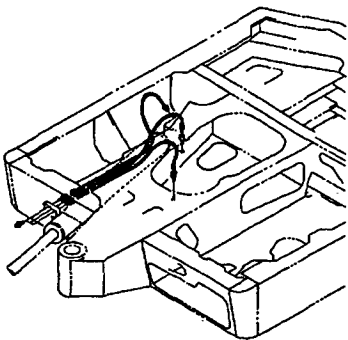
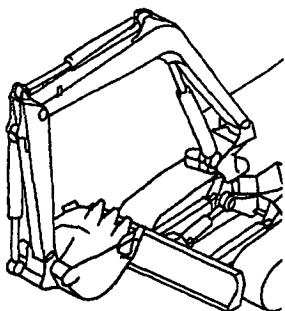
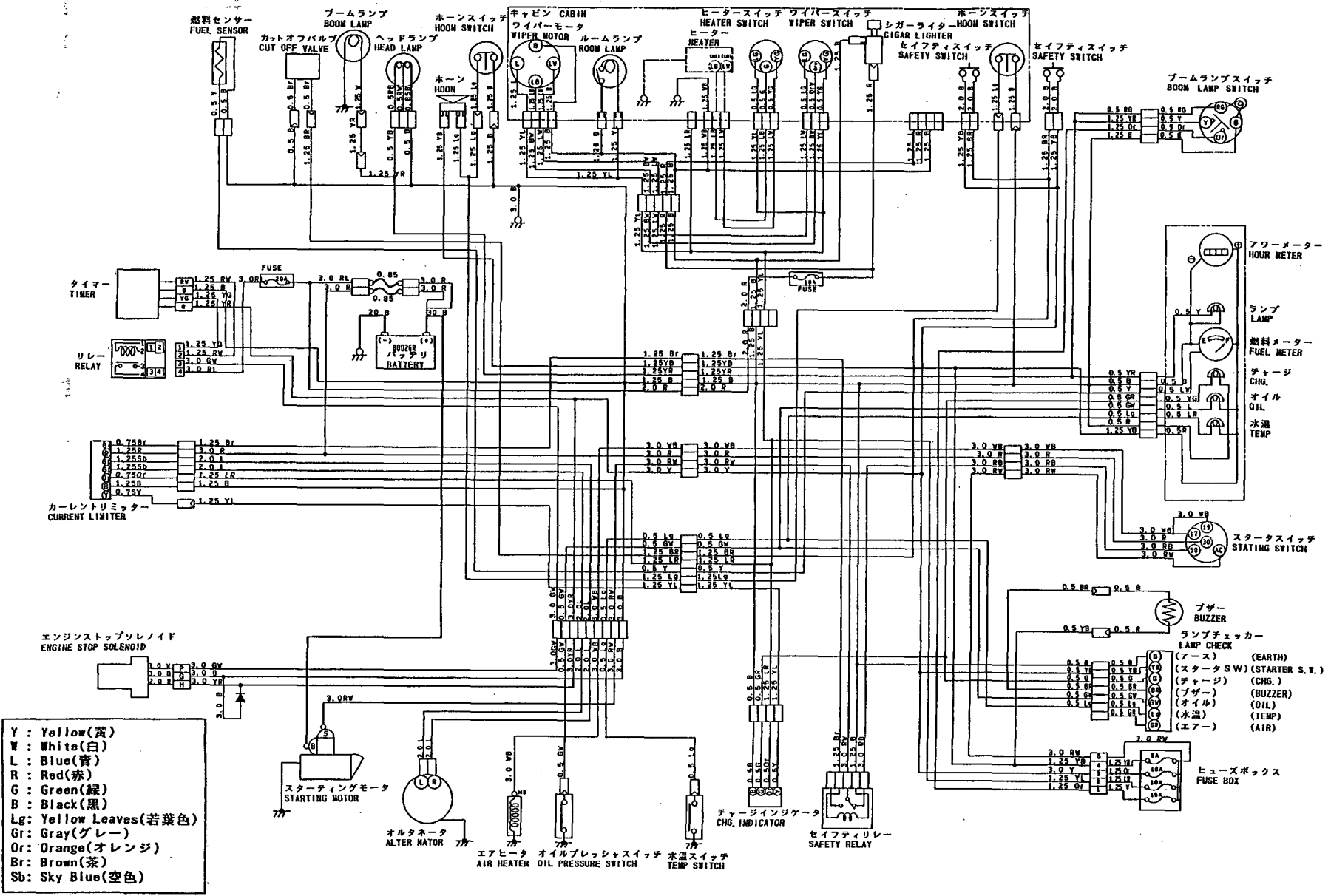


Fig. 52 BOOM & ARM



# WIRING DIAGRAM

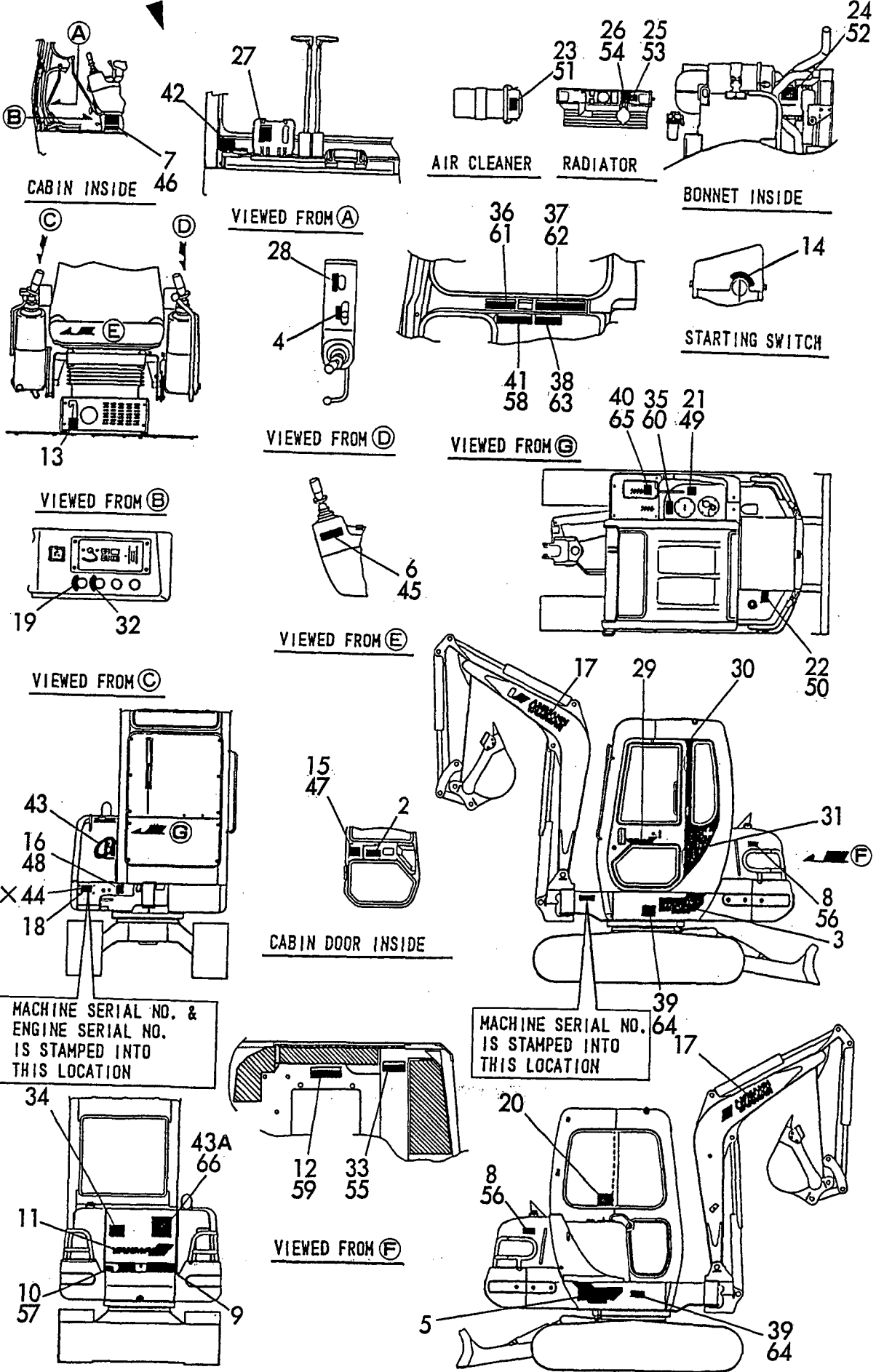


1,1,,772171-03220,, "LABEL ASSY",1,,,,,,,,,,,,,,,,,,,,,  
1-1,1,,772174-03110,, "LABEL ASSY",1,,,,,,R,,72174AMA-1,M910001,,,,,,,,,,,,,  
2,2,,172171-03130,, "LABEL,SPACIFICATION",1,,,,,,,,,,,,,,,,,,,,,  
2-1,2,,172174-03130,, "LABEL F/G/E,SMALL",1,,,,,,R,,72174AMA-1,M910001,,,,,,,,,,,,,  
3,2,,172171-03151,, LABEL,1,,,,,,,,,,,,,,,,,,,,,  
3-1,2,,172174-03150,, LABEL,1,,,,,,R,,72174AMA-1,M910001,,,,,,,,,,,,,  
4,2,,172519-03150,, "LABEL, ACCEL",1,,,,,,,,,,,,,,,,,,,,,  
4-1,2,,172174-03190,, "LABEL,ACCELERATOR",1,,,,,,R,,72174AMA-1,M910001,,,,,,,,,,,,,  
5,2,,172171-03161,, LABEL,1,,,,,,,,,,,,,,,,,,,,,  
5-1,2,,172174-03160,, LABEL,1,,,,,,R,,72174AMA-1,M910001,,,,,,,,,,,,,  
6,2,,172143-03180,, LABEL,1,,,,,,,,,,,,,,,,,,,,,  
6-1,2,,172159-03290,, LABEL,1,,,,,,R,,72174AMA-1,M910001,,,,,,,,,,,,,  
7,2,,172171-03180,, "LABEL, OIL/WATER",1,,,,,,,,,,,,,,,,,,,,,  
7-1,2,,172174-03180,, "LABEL, OIL/WATER",1,,,,,,R,,72174AMA-1,M910001,,,,,,,,,,,,,  
8,2,,172159-03300,, LABEL,2,,,,,,,,,,,,,,,,,,,,,  
8-1,2,,172174-03630,, LABEL,2,,,,,,R,,72174AMA-1,M910001,,,,,,,,,,,,,  
9,2,,172168-03211,, LABEL,1,,,,,,,,,,,,,,,,,,,,,  
9-1,2,,172174-03250,, LABEL,1,,,,,,R,,72174AMA-1,M910001,,,,,,,,,,,,,  
10,2,,172159-03310,, LABEL,1,,,,,,,,,,,,,,,,,,,,,  
10-1,2,,172174-03710,, LABEL,1,,,,,,R,,72174AMA-1,M910001,,,,,,,,,,,,,  
11,2,,172171-03261,, "LABEL,BOOM",1,,,,,,,,,,,,,,,,,,,,,  
11-1,2,,172174-03280,, "LABEL,REAR",1,,,,,,R,,72174AMA-1,M910001,,,,,,,,,,,,,  
12,2,,172159-03320,, LABEL,1,,,,,,,,,,,,,,,,,,,,,  
12-1,2,,172174-03700,, LABEL,1,,,,,,R,,72174AMA-1,M910001,,,,,,,,,,,,,  
13,2,,172137-03301,, "LABEL, TURNING LOCK",1,,,,,,,,,,,,,,,,,,,,,  
13-1,2,,172159-03551,, "LABEL, TURNING LOCK",1,,,,,,R,,72174AMA-  
1,M910001,,,,,,,,,,,,,  
14,2,,172141-03360,, "LABEL, START SWITCH",1,,,,,,,,,,,,,,,,,,,,,  
14-1,2,,172161-03360,, "LABEL,STARTER SWITCH",1,,,,,,R,,72174AMA-  
1,M910001,,,,,,,,,,,,,  
15,2,,172165-03430,, "LABEL,GREASE FEED",1,,,,,,,,,,,,,,,,,,,,,  
15-1,2,,172174-03330,, "LABEL,GREASE FEED",1,,,,,,R,,72174AMA-1,M910001,,,,,,,,,,,,,  
16,2,,172165-03440,, "LABEL, GREASE",1,,,,,,,,,,,,,,,,,,,,,  
16-1,2,,172174-03340,, "LABEL, GREASE",1,,,,,,R,,72174AMA-1,M910001,,,,,,,,,,,,,  
17,2,,172142-03451,, "LABEL, BOOM",2,,,,,,,,,,,,,,,,,,,,,  
17-1,2,,172174-03350,, "LABEL, BOOM",2,,,,,,R,,72174AMA-1,M910001,,,,,,,,,,,,,  
18,2,,22857-300050,, "SCREW 3X 5",4,,,,,,,,,,,,,,,,,,,,,  
19,2,,172162-03180,, "LABEL,HEATER SWITCH",1,,,,,,,,,,,,,,,,,,,,,  
19-1,2,,172174-03550,, "LABEL,HEATER SWITCH",1,,,,,,R,,72174AMA-  
1,M910001,,,,,,,,,,,,,  
20,2,,172165-03460,, "LABEL, PATTERN A",1,,,,,,,,,,,,,,,,,,,,,  
20-1,2,,172174-03360,, "LABEL,PATTERN A",1,,,,,,R,,72174AMA-1,M910001,,,,,,,,,,,,,  
21,2,,933112-50700,, "LABEL, OIL FEED",1,,,,,,,,,,,,,,,,,,,,,  
21-1,2,,172159-03340,, "LABEL, OIL FEED",1,,,,,,R,,72174AMA-1,M910001,,,,,,,,,,,,,  
22,2,,933112-52500,, "LABEL, FUEL",1,,,,,,,,,,,,,,,,,,,,,  
22-1,2,,172159-03350,, "LABEL, FUEL",1,,,,,,R,,72174AMA-1,M910001,,,,,,,,,,,,,  
23,2,,933112-54300,, "LABEL, AIR CLEANER",1,,,,,,,,,,,,,,,,,,,,,  
23-1,2,,172159-03360,, "LABEL, AIR CLEANER",1,,,,,,R,,72174AMA-1,M910001,,,,,,,,,,,,,  
24,2,,933112-55700,, "LABEL, SUB-TANK",1,,,,,,,,,,,,,,,,,,,,,  
24-1,2,,172159-03370,, "LABEL, SUBTANK",1,,,,,,R,,72174AMA-1,M910001,,,,,,,,,,,,,  
25,2,,933112-55800,, "LABEL, RADIATER",1,,,,,,,,,,,,,,,,,,,,,  
25-1,2,,172159-03380,, "LABEL, RADITATER",1,,,,,,R,,72174AMA-1,M910001,,,,,,,,,,,,,  
26,2,,933112-55900,, "LABEL, ANTI-FREEZING",1,,,,,,,,,,,,,,,,,,,,,  
26-1,2,,172159-03390,, "LABEL, ANTI-FREEZING",1,,,,,,R,,72174AMA-  
1,M910001,,,,,,,,,,,,,  
27,2,,172165-03230,, "LABEL, P.T.O.",1,,,,,,,,,,,,,,,,,,,,,  
27-1,2,,172174-03270,, "LABEL, P.T.O.",1,,,,,,R,,72174AMA-1,M910001,,,,,,,,,,,,,  
28,2,,172168-03300,, "LABEL, SELECT",1,,,,,,,,,,,,,,,,,,,,,  
28-1,2,,172174-03300,, "LABEL, SELECT",1,,,,,,R,,72174AMA-1,M910001,,,,,,,,,,,,,  
29,2,,172165-03301,, "LABEL,CAB",1,,,,,,,,,,,,,,,,,,,,,  
29-1,2,,172174-03290,, "LABEL,CAB",1,,,,,,R,,72174AMA-1,M910001,,,,,,,,,,,,,  
30,2,,172165-03311,, LABEL,1,,,,,,,,,,,,,,,,,,,,,  
30-1,2,,172174-03310,, LABEL,1,,,,,,R,,72174AMA-1,M910001,,,,,,,,,,,,,

31,2,,172165-03321,,LABEL,1,,,,,,,,,,,,,  
31-1,2,,172174-03320,,LABEL,1,,,,,,R,,72174AMA-1,M910001,,,,,,,,,  
32,2,,172162-03190,, "LABEL,WIPER SWITCH",1,,,,,,,,,,,,,  
32-1,2,,172174-03560,, "LABEL,WIPER SWITCH",1,,,,,,R,,72174AMA-1,M910001,,,,,,,,,  
33,2,,172174-03690,, "LABEL,RADIATOR",1,,,,,,W,,72174AMA-1,M910001,,,,,,,,,  
34,2,,933112-45400,, "LABEL, DANGER (B)",1,,,,,,,,,,,,,  
34-1,2,,172174-03570,, "LABEL,DANGER",1,,,,,,R,,72174AMA-1,M910001,,,,,,,,,  
35,2,,172174-03620,,LABEL,1,,,,,,W,,72174AMA-1,M910001,,,,,,,,,  
36,2,,172174-03600,,LABEL,1,,,,,,W,,72174AMA-1,M910001,,,,,,,,,  
37,2,,172174-03610,, "LABEL,CONTACT",1,,,,,,W,,72174AMA-1,M910001,,,,,,,,,  
38,2,,172174-03640,, "LABEL,TRANSPORT",1,,,,,,W,,72174AMA-1,M910001,,,,,,,,,  
39,2,,172174-03650,, "LABEL,GREASE CYL.",2,,,,,,W,,72174AMA-1,M910001,,,,,,,,,  
40,2,,172174-03660,, "LABEL,CABLE",1,,,,,,W,,72174AMA-1,M910001,,,,,,,,,  
41,2,,172174-03670,, "LABEL,NEUTRAL",1,,,,,,W,,72174AMA-1,M910001,,,,,,,,,  
42,2,,172147-03210,,LABEL,1,,,,,,,,,,,,,  
42-1,2,,172174-03380,,LABEL,1,,,,,,R,,72174AMA-1,M910001,,,,,,,,,  
43,2,,172168-03270,,LABEL,1,,,,,,,,,,,,,  
43-1,2,,172174-03240,,LABEL,1,,,,,,R,,72174AMA-1,M910001,,,,,,,,,  
43A,2,,172174-03680,, "LABEL,SWING AREA",1,,,,,,W,,72174AMA-1,M910001,,,,,,,,,  
45,1,,172141-03440,,LABEL,1,,,,,,1,,,,,,,,,,,,,  
45-1,1,,172174-03410,, "LABEL, RESTART",1,,,,,,R,1,72174AMA-1,M910001,,,,,,,,,  
46,1,,172171-03520,, "LABEL, OIL/WATER",1,,,,,,1,,,,,,,,,,,,,  
46-1,1,,172174-03420,, "LABEL,FEEDWATER",1,,,,,,R,1,72174AMA-1,M910001,,,,,,,,,  
47,1,,172165-03500,, "LABEL,GREASE FEED",1,,,,,,1,,,,,,,,,,,,,  
47-1,1,,172174-03460,, "LABEL,GREASE FEED",1,,,,,,R,1,72174AMA-1,M910001,,,,,,,,,  
48,1,,172171-03510,, "LABEL, GREASE",1,,,,,,1,,,,,,,,,,,,,  
48-1,1,,172174-03470,, "LABEL, GREASE",1,,,,,,R,1,72174AMA-1,M910001,,,,,,,,,  
49,1,,933112-50300,, "LABEL, OIL FEED",1,,,,,,1,,,,,,,,,,,,,  
49-1,1,,172174-03490,,LABEL,1,,,,,,R,1,72174AMA-1,M910001,,,,,,,,,  
50,1,,933112-52100,, "LABEL, FUEL",1,,,,,,1,,,,,,,,,,,,,  
50-1,1,,172174-03500,,LABEL,1,,,,,,R,1,72174AMA-1,M910001,,,,,,,,,  
51,1,,172125-03950,, "LABEL, AIR CLEANER",1,,,,,,1,,,,,,,,,,,,,  
51-1,1,,172174-03510,, "LABEL, AIR CLEANER",1,,,,,,R,1,72174AMA-  
1,M910001,,,,,,,,,  
52,1,,124764-44810,, "LABEL, SUB-TANK",1,,,,,,1,,,,,,,,,,,,,  
52-1,1,,172174-03520,, "LABEL,SUB-TANK",1,,,,,,R,1,72174AMA-1,M910001,,,,,,,,,  
53,1,,121120-44800,, "LABEL, RADIATOR",1,,,,,,1,,,,,,,,,,,,,  
53-1,1,,172174-03530,, "LABEL, RADIATER",1,,,,,,R,1,72174AMA-1,M910001,,,,,,,,,  
54,1,,124764-44920,, "LABEL, ANTI-FREEZING",1,,,,,,1,,,,,,,,,,,,,  
54-1,1,,172174-03540,, "LABEL, ANTI-FREEZING",1,,,,,,R,1,72174AMA-  
1,M910001,,,,,,,,,  
55,1,,172174-03840,, "LABEL,RADIATOR",1,,,,,,W,1,72174AMA-1,M910001,,,,,,,,,  
56,1,,172174-03780,, "LABEL, PROTECTOR",2,,,,,,W,1,72174AMA-1,M910001,,,,,,,,,  
57,1,,172174-03860,, "LABEL,ENGINE COVER",1,,,,,,W,1,72174AMA-1,M910001,,,,,,,,,  
58,1,,172174-03820,, "LABEL,NEUTRAL",1,,,,,,W,1,72174AMA-1,M910001,,,,,,,,,  
59,1,,172174-03850,, "LABEL,ENGINE ROOM",1,,,,,,W,1,72174AMA-1,M910001,,,,,,,,,  
60,1,,172174-03770,,LABEL,1,,,,,,W,1,72174AMA-1,M910001,,,,,,,,,  
61,1,,172174-03750,,LABEL,1,,,,,,W,1,72174AMA-1,M910001,,,,,,,,,  
62,1,,172174-03760,, "LABEL,CONTACT",1,,,,,,W,1,72174AMA-1,M910001,,,,,,,,,  
63,1,,172174-03790,, "LABEL,TRANSPORT",1,,,,,,W,1,72174AMA-1,M910001,,,,,,,,,  
64,1,,172174-03800,, "LABEL,GREASE CYL.",2,,,,,,W,1,72174AMA-1,M910001,,,,,,,,,  
65,1,,172174-03810,, "LABEL,BOOSTER",1,,,,,,W,1,72174AMA-1,M910001,,,,,,,,,  
66,1,,172174-03830,, "LABEL,SWING AREA",1,,,,,,W,1,72174AMA-1,M910001,,,,,,,,,

# Fig. 1 LABEL (CABIN)

1 inc. 2 ~ 43A

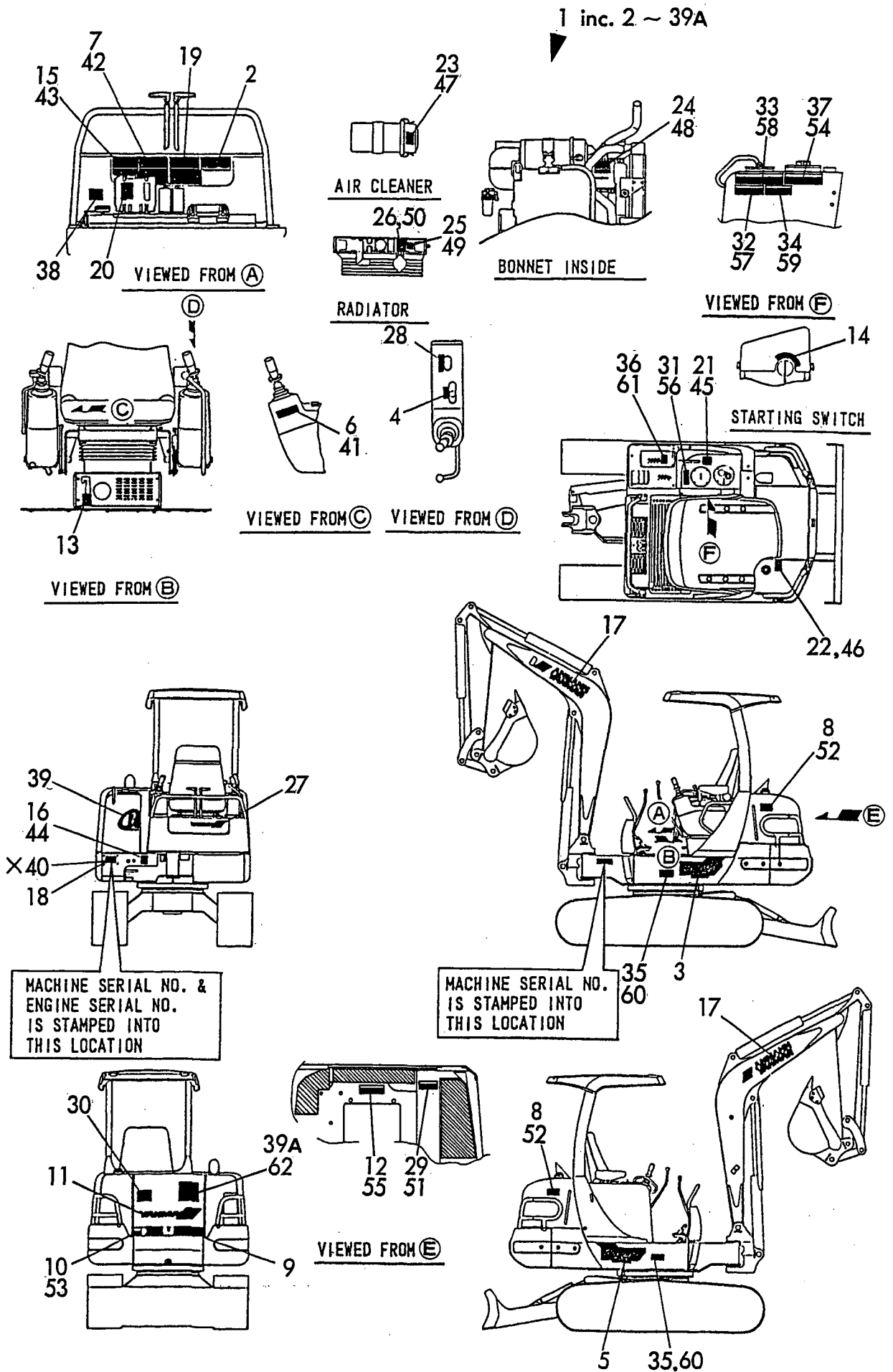


× MARK PARTS: NOT SOLD SEPARATELY.

1,1,,772171-03230,, "LABEL SET",,1,,,,,,,,,,,,,,,,,,,,,  
1-1,1,,772174-03100,, "LABEL SET",,1,,,,,R,,,,,72174AMA-1,M910001,,,,,,  
2,2,,172171-03130,, "LABEL,SPACIFICATION",,1,,,,,,,,,,,,,,,,,,,,,  
2-1,2,,172174-03130,, "LABEL F/G/E,SMALL",,1,,,,,R,,,,,72174AMA-1,M910001,,,,,,  
3,2,,172171-03151,, LABEL,,1,,,,,,,,,,,,,,,,,,,,,  
3-1,2,,172174-03150,, LABEL,,1,,,,,R,,,,,72174AMA-1,M910001,,,,,,  
4,2,,172519-03150,, "LABEL, ACCEL",,1,,,,,,,,,,,,,,,,,,,,,  
4-1,2,,172174-03190,, "LABEL,ACCELERATOR",,1,,,,,R,,,,,72174AMA-1,M910001,,,,,,  
5,2,,172171-03161,, LABEL,,1,,,,,,,,,,,,,,,,,,,,,  
5-1,2,,172174-03160,, LABEL,,1,,,,,R,,,,,72174AMA-1,M910001,,,,,,  
6,2,,172143-03180,, LABEL,,1,,,,,,,,,,,,,,,,,,,,,  
6-1,2,,172159-03290,, LABEL,,1,,,,,R,,,,,72174AMA-1,M910001,,,,,,  
7,2,,172171-03180,, "LABEL, OIL/WATER",,1,,,,,,,,,,,,,,,,,,,,,  
7-1,2,,172174-03180,, "LABEL, OIL/WATER",,1,,,,,R,,,,,72174AMA-1,M910001,,,,,,  
8,2,,172159-03300,, LABEL,,2,,,,,,,,,,,,,,,,,,,,,  
8-1,2,,172174-03630,, LABEL,,2,,,,,R,,,,,72174AMA-1,M910001,,,,,,  
9,2,,172168-03211,, LABEL,,1,,,,,,,,,,,,,,,,,,,,,  
9-1,2,,172174-03250,, LABEL,,1,,,,,R,,,,,72174AMA-1,M910001,,,,,,  
10,2,,172159-03310,, LABEL,,1,,,,,,,,,,,,,,,,,,,,,  
10-1,2,,172174-03710,, LABEL,,1,,,,,R,,,,,72174AMA-1,M910001,,,,,,  
11,2,,172171-03261,, "LABEL,BOOM",,1,,,,,,,,,,,,,,,,,,,,,  
11-1,2,,172174-03280,, "LABEL,REAR",,1,,,,,R,,,,,72174AMA-1,M910001,,,,,,  
12,2,,172159-03320,, LABEL,,1,,,,,,,,,,,,,,,,,,,,,  
12-1,2,,172174-03700,, LABEL,,1,,,,,R,,,,,72174AMA-1,M910001,,,,,,  
13,2,,172137-03301,, "LABEL, TURNING LOCK",,1,,,,,,,,,,,,,,,,,,,,,  
13-1,2,,172159-03551,, "LABEL, TURNING LOCK",,1,,,,,R,,,,,72174AMA-  
1,M910001,,,,,,  
14,2,,172141-03360,, "LABEL, START SWITCH",,1,,,,,,,,,,,,,,,,,,,,,  
14-1,2,,172161-03360,, "LABEL,STARTER SWITCH",,1,,,,,R,,,,,72174AMA-  
1,M910001,,,,,,  
15,2,,172165-03430,, "LABEL,GREASE FEED",,1,,,,,,,,,,,,,,,,,,,,,  
15-1,2,,172174-03330,, "LABEL,GREASE FEED",,1,,,,,R,,,,,72174AMA-1,M910001,,,,,,  
16,2,,172165-03440,, "LABEL, GREASE",,1,,,,,,,,,,,,,,,,,,,,,  
16-1,2,,172174-03340,, "LABEL, GREASE",,1,,,,,R,,,,,72174AMA-1,M910001,,,,,,  
17,2,,172142-03451,, "LABEL, BOOM",,2,,,,,,,,,,,,,,,,,,,,,  
17-1,2,,172174-03350,, "LABEL, BOOM",,2,,,,,R,,,,,72174AMA-1,M910001,,,,,,  
18,2,,22857-300050,, "SCREW 3X 5",,4,,,,,,,,,,,,,,,,,,,,,  
19,2,,172151-03540,, "LABEL,PATTERN A",,1,,,,,,,,,,,,,,,,,,,,,  
19-1,2,,172174-03370,, "LABEL,PATTERN A",,1,,,,,R,,,,,72174AMA-1,M910001,,,,,,  
20,2,,172165-03230,, "LABEL, P.T.O.",,1,,,,,,,,,,,,,,,,,,,,,  
20-1,2,,172174-03270,, "LABEL, P.T.O.",,1,,,,,R,,,,,72174AMA-1,M910001,,,,,,  
21,2,,933112-50700,, "LABEL, OIL FEED",,1,,,,,,,,,,,,,,,,,,,,,  
21-1,2,,172159-03340,, "LABEL, OIL FEED",,1,,,,,R,,,,,72174AMA-1,M910001,,,,,,  
22,2,,933112-52500,, "LABEL, FUEL",,1,,,,,,,,,,,,,,,,,,,,,  
22-1,2,,172159-03350,, "LABEL, FUEL",,1,,,,,R,,,,,72174AMA-1,M910001,,,,,,  
23,2,,933112-54300,, "LABEL, AIR CLEANER",,1,,,,,,,,,,,,,,,,,,,,,  
23-1,2,,172159-03360,, "LABEL, AIR CLEANER",,1,,,,,R,,,,,72174AMA-1,M910001,,,,,,  
24,2,,933112-55700,, "LABEL, SUB-TANK",,1,,,,,,,,,,,,,,,,,,,,,  
24-1,2,,172159-03370,, "LABEL, SUBTANK",,1,,,,,R,,,,,72174AMA-1,M910001,,,,,,  
25,2,,933112-55800,, "LABEL, RADIATER",,1,,,,,,,,,,,,,,,,,,,,,  
25-1,2,,172159-03380,, "LABEL, RADITATER",,1,,,,,R,,,,,72174AMA-1,M910001,,,,,,  
26,2,,933112-55900,, "LABEL, ANTI-FREEZING",,1,,,,,,,,,,,,,,,,,,,,,  
26-1,2,,172159-03390,, "LABEL, ANTI-FREEZING",,1,,,,,R,,,,,72174AMA-  
1,M910001,,,,,,  
27,2,,172165-03141,, "LABEL,FRONT",,1,,,,,,,,,,,,,,,,,,,,,  
27-1,2,,172174-03140,, "LABEL,FRONT",,1,,,,,R,,,,,72174AMA-1,M910001,,,,,,  
28,2,,172168-03300,, "LABEL, SELECT",,1,,,,,,,,,,,,,,,,,,,,,  
28-1,2,,172174-03300,, "LABEL, SELECT",,1,,,,,R,,,,,72174AMA-1,M910001,,,,,,  
29,2,,172174-03690,, "LABEL,RADIATOR",,1,,,,,W,,,,,72174AMA-1,M910001,,,,,,  
30,2,,933112-45400,, "LABEL, DANGER (B)",,1,,,,,,,,,,,,,,,,,,,,,  
30-1,2,,172174-03570,, "LABEL,DANGER",,1,,,,,R,,,,,72174AMA-1,M910001,,,,,,  
31,2,,172174-03620,, LABEL,,1,,,,,W,,,,,72174AMA-1,M910001,,,,,,  
32,2,,172174-03600,, LABEL,,1,,,,,W,,,,,72174AMA-1,M910001,,,,,,

33,2,,172174-03610,, "LABEL,CONTACT",,1,,,,,W,,,,,72174AMA-1,M910001,,,,,  
34,2,,172174-03640,, "LABEL,TRANSPORT",,1,,,,,W,,,,,72174AMA-1,M910001,,,,,  
35,2,,172174-03650,, "LABEL,GREASE CYL.",,2,,,,,W,,,,,72174AMA-1,M910001,,,,,  
36,2,,172174-03660,, "LABEL,CABLE",,1,,,,,W,,,,,72174AMA-1,M910001,,,,,  
37,2,,172174-03670,, "LABEL,NEUTRAL",,1,,,,,W,,,,,72174AMA-1,M910001,,,,,  
38,2,,172147-03210,, LABEL,,1,,,,,  
38-1,2,,172174-03380,, LABEL,,1,,,,,R,,,,,72174AMA-1,M910001,,,,,  
39,2,,172168-03270,, LABEL,,1,,,,,  
39-1,2,,172174-03240,, LABEL,,1,,,,,R,,,,,72174AMA-1,M910001,,,,,  
39A,2,,172174-03680,, "LABEL,SWING AREA",,1,,,,,W,,,,,72174AMA-1,M910001,,,,,  
41,1,,172141-03440,, LABEL,,1,,,,,1,,,,,  
41-1,1,,172174-03410,, "LABEL, RESTART",,1,,,,,R,1,,72174AMA-1,M910001,,,,,  
42,1,,172171-03520,, "LABEL, OIL/WATER",,1,,,,,1,,,,,  
42-1,1,,172174-03420,, "LABEL,FEEDWATER",,1,,,,,R,1,,72174AMA-1,M910001,,,,,  
43,1,,172165-03500,, "LABEL,GREASE FEED",,1,,,,,1,,,,,  
43-1,1,,172174-03460,, "LABEL,GREASE FEED",,1,,,,,R,1,,72174AMA-1,M910001,,,,,  
44,1,,172171-03510,, "LABEL, GREASE",,1,,,,,1,,,,,  
44-1,1,,172174-03470,, "LABEL, GREASE",,1,,,,,R,1,,72174AMA-1,M910001,,,,,  
45,1,,172155-03790,, LABEL,,1,,,,,1,,,,,  
45-1,1,,172174-03490,, LABEL,,1,,,,,R,1,,72174AMA-1,M910001,,,,,  
46,1,,933112-52100,, "LABEL, FUEL",,1,,,,,1,,,,,  
46-1,1,,172174-03500,, LABEL,,1,,,,,R,1,,72174AMA-1,M910001,,,,,  
47,1,,172125-03950,, "LABEL, AIR CLEANER",,1,,,,,1,,,,,  
47-1,1,,172174-03510,, "LABEL, AIR CLEANER",,1,,,,,R,1,,72174AMA-  
1,M910001,,,,,  
48,1,,124764-44810,, "LABEL, SUB-TANK",,1,,,,,1,,,,,  
48-1,1,,172174-03520,, "LABEL,SUB-TANK",,1,,,,,R,1,,72174AMA-1,M910001,,,,,  
49,1,,121120-44800,, "LABEL, RADIATOR",,1,,,,,1,,,,,  
49-1,1,,172174-03530,, "LABEL, RADIATER",,1,,,,,R,1,,72174AMA-1,M910001,,,,,  
50,1,,124764-44920,, "LABEL, ANTI-FREEZING",,1,,,,,1,,,,,  
50-1,1,,172174-03540,, "LABEL, ANTI-FREEZING",,1,,,,,R,1,,72174AMA-  
1,M910001,,,,,  
51,1,,172174-03840,, "LABEL,RADIATOR",,1,,,,,W,1,,72174AMA-1,M910001,,,,,  
52,1,,172174-03780,, "LABEL, PROTECTOR",,2,,,,,W,1,,72174AMA-1,M910001,,,,,  
53,1,,172174-03860,, "LABEL,ENGINE COVER",,1,,,,,W,1,,72174AMA-1,M910001,,,,,  
54,1,,172174-03820,, "LABEL,NEUTRAL",,1,,,,,W,1,,72174AMA-1,M910001,,,,,  
55,1,,172174-03850,, "LABEL,ENGINE ROOM",,1,,,,,W,1,,72174AMA-1,M910001,,,,,  
56,1,,172174-03770,, LABEL,,1,,,,,W,1,,72174AMA-1,M910001,,,,,  
57,1,,172174-03750,, LABEL,,1,,,,,W,1,,72174AMA-1,M910001,,,,,  
58,1,,172174-03760,, "LABEL,CONTACT",,1,,,,,W,1,,72174AMA-1,M910001,,,,,  
59,1,,172174-03790,, "LABEL,TRANSPORT",,1,,,,,W,1,,72174AMA-1,M910001,,,,,  
60,1,,172174-03800,, "LABEL,GREASE CYL.",,2,,,,,W,1,,72174AMA-1,M910001,,,,,  
61,1,,172174-03810,, "LABEL,BOOSTER",,1,,,,,W,1,,72174AMA-1,M910001,,,,,  
62,1,,172174-03830,, "LABEL,SWING AREA",,1,,,,,W,1,,72174AMA-1,M910001,,,,,

Fig. 2 LABEL (CANOPY)

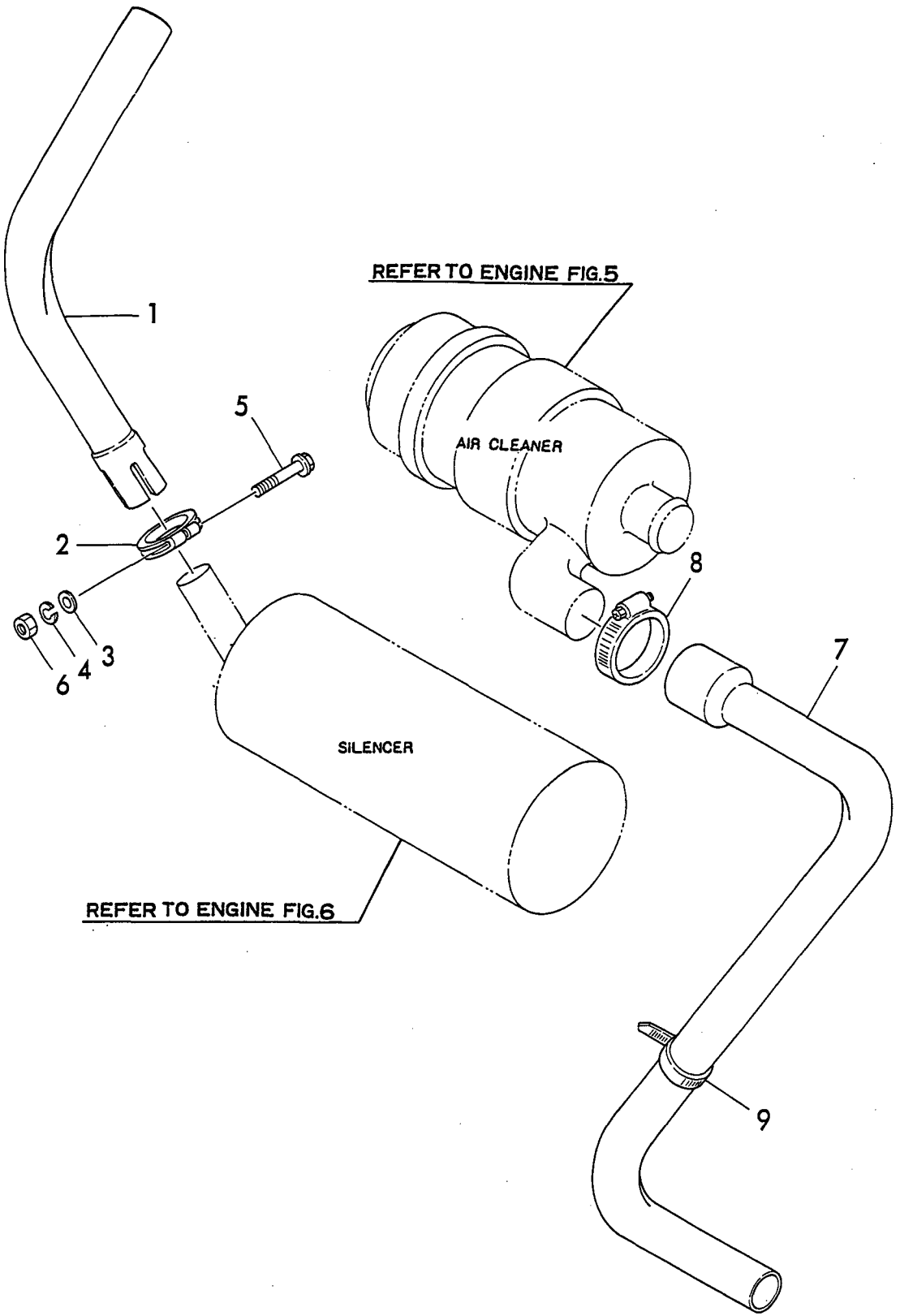


× MARK PARTS: NOT SOLD SEPARATELY.



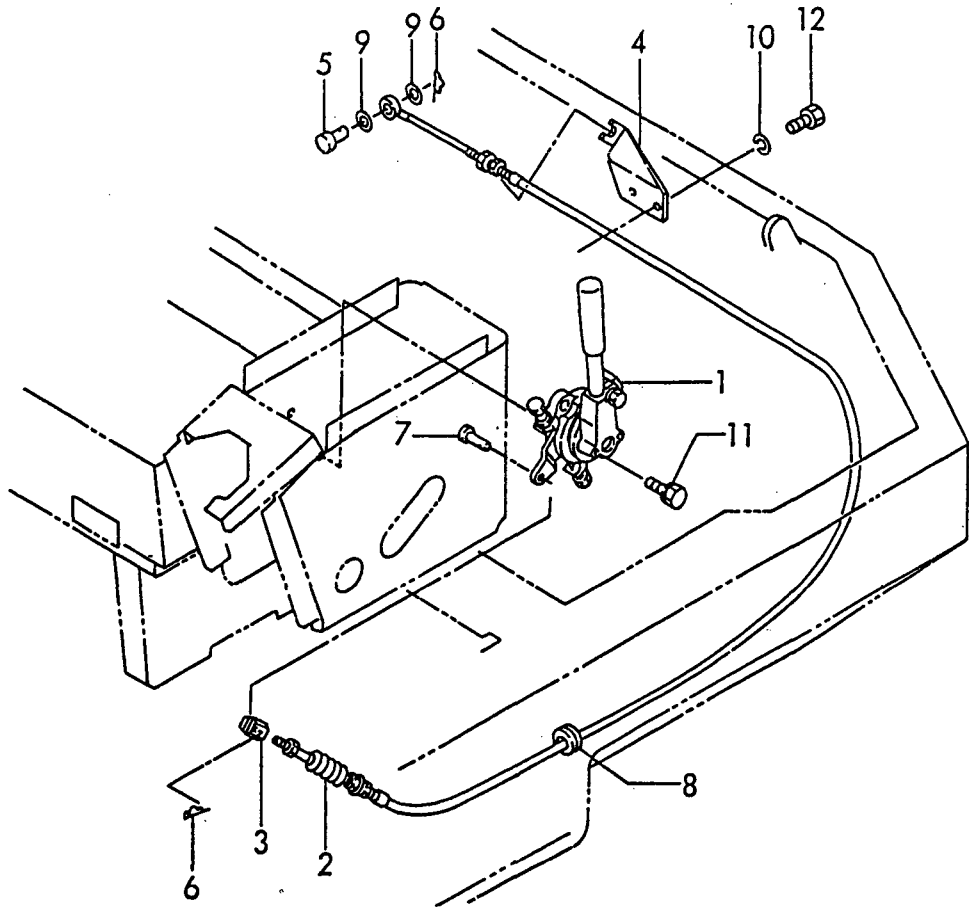
1,1,,172171-11300,, "PIPE TAIL",1,1,,,,,,,,,,,,,  
1-1,1,,172174-11300,, "NOZZLE,SILENCER BLST",1,1,,,,,R,,72174AMA-  
1,M910001,72174AMA-1,M910001,,,,,,,,,  
2,1,,119831-13580,,CLAMP,1,1,,,,,,,,,,,,,  
3,1,,22117-080000,, "WASHER 8",1,1,,,,,,,,,,,,,  
4,1,,22217-080000,, "SPRING WASHER 8",1,1,,,,,,,,,,,,,  
5,1,,26106-080552,, "BOLT M 8X 55 PLATED",1,1,,,,,,,,,,,,,  
6,1,,26706-080002,, "NUT M 8",1,1,,,,,,,,,,,,,  
7,1,,172171-11500,, "HOSE,AIR CLEANER",1,1,,,,,,,,,,,,,  
8,1,,23000-070000,, "CLAMP 70",1,1,,,,,,,,,,,,,  
9,1,,172122-79890,, "CLAMP 350",1,1,,,,,,,,,,,,,  
9-1,1,,172159-45160,, "CLAMP 350",1,1,,,,,R,,72174AMA-1,M910001,72174AMA-  
1,M910001,,,,,,,,,

Fig. 3 INLET HOUSE & EXHAUST PIPE



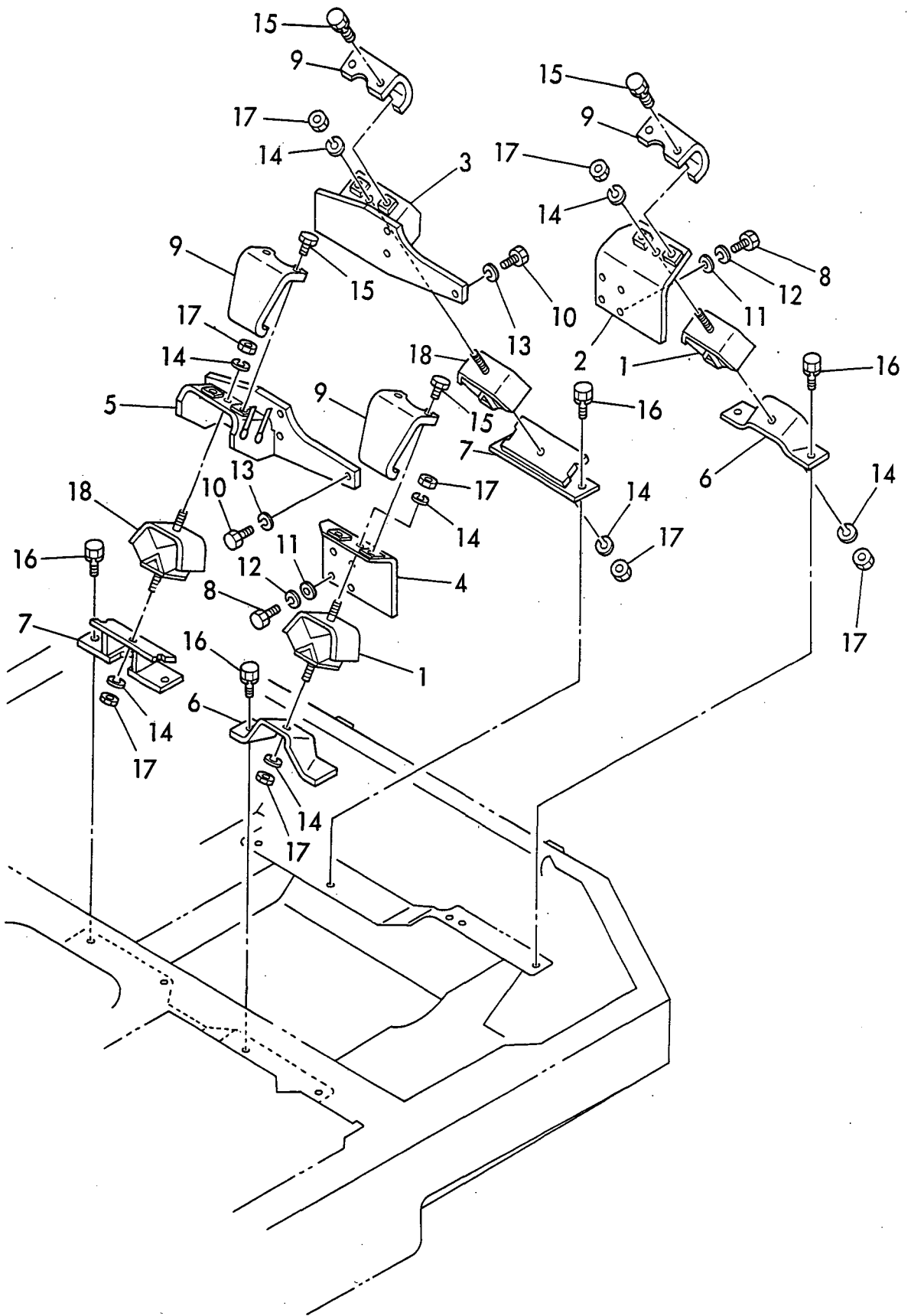
1,1,,172168-12150,, "LEVER,ACCEL(EP)",1,1,,,,,,,,,,,,,  
1-1,1,,172179-  
12100,, "LEVER,ACCEL",1,1,,,,,N,,72168243,\*1994.11,72168243,\*1994.11,,,,,,  
1A,2,,172165-  
12140,,GRIP,1,1,,,,,W,,72165500,\*1996.05,72165500,\*1996.05,,,,,,I  
2,1,,172168-12110,, "CABLE,ACCEL(S)",1,1,,,,,,,,,,,,,  
3,1,,172137-12270,, "JOINT, CABLE",1,1,,,,,,,,,,,,,  
3-1,1,,172159-12270,, "JOINT, CABLE",1,1,,,,,R,,72174AMA-1,M910001,72174AMA-  
1,M910001,,,,,,  
4,1,,172141-12280,, "CLAMP, ACCEL WIRE",1,1,,,,,,,,,,,,,  
4-1,1,,172161-12280,, "CLAMP,ACCEL.WIRE",1,1,,,,,R,,72174AMA-1,M910001,72174AMA-  
1,M910001,,,,,,  
5,1,,172113-12521,, "PIN, CABLE",1,1,,,,,,,,,,,,,  
5-1,1,,172159-12520,, "PIN, CABLE",1,1,,,,,R,,72174AMA-1,M910001,72174AMA-  
1,M910001,,,,,,  
6,1,,1C6281-52310,, "PIN 6,COME-OFF SNAP",2,2,,,,,,,,,,,,,  
6-1,1,,172159-42070,, "PIN 6,COME-OFF SNAP",2,2,,,,,R,,72174AMA-  
1,M910001,72174AMA-1,M910001,,,,,,  
7,1,,1A1040-56900,, "PIN 6X 17",1,1,,,,,,,,,,,,,  
7-1,1,,172159-12530,, "PIN 6X 17",1,1,,,,,R,,72174AMA-1,M910001,72174AMA-  
1,M910001,,,,,,  
8,1,,1A1380-58050,, "GROMMET 16X20X4.5",1,1,,,,,,,,,,,,,  
9,1,,22137-060000,, "WASHER 6, POLISHED",2,2,,,,,,,,,,,,,  
10,1,,22217-080000,, "SPRING WASHER 8",2,2,,,,,,,,,,,,,  
11,1,,26013-100302,, "BOLT M10X 30",2,2,,,,,,,,,,,,,  
12,1,,26116-080162,, "BOLT M 8X 16 PLATED",2,2,,,,,,,,,,,,,

Fig. 4 ACCELERATOR



1,1,,196420-02310,, "ABSORBER, SHOCK",2,2,,,,,,,,,,,,,,,,,,,,,  
2,1,,172146-13100,, BRACKET,1,1,,,,,,,,,,,,,,,,,,,,,  
2-1,1,,172174-13140,, BRACKET,1,1,,,,,R,,72174AMA-1,M910001,72174AMA-  
1,M910001,,,,,,,,,,,,,  
3,1,,172168-13100,, "MOUNT(R), ENGINE",1,1,,,,,,,,,,,,,,,,,,,,,  
3-1,1,,172174-13100,, "MOUNT(R), ENGINE",1,1,,,,,R,,72174AMA-1,M910001,72174AMA-  
1,M910001,,,,,,,,,,,,,  
4,1,,172146-13110,, BRACKET,1,1,,,,,,,,,,,,,,,,,,,,,  
4-1,1,,172174-13170,, BRACKET,1,1,,,,,R,,72174AMA-1,M910001,72174AMA-  
1,M910001,,,,,,,,,,,,,  
5,1,,172168-13120,, "MOUNT(L), ENGINE",1,1,,,,,,,,,,,,,,,,,,,,,  
5-1,1,,172174-13190,, "MOUNT(L), ENGINE",1,1,,,,,R,,72174AMA-1,M910001,72174AMA-  
1,M910001,,,,,,,,,,,,,  
6,1,,172168-13150,, BRACKET,2,2,,,,,,,,,,,,,,,,,,,,,  
6-1,1,,172174-13210,, BRACKET,2,2,,,,,R,,72174AMA-1,M910001,72174AMA-  
1,M910001,,,,,,,,,,,,,  
7,1,,172168-13180,, "BRACKET COMP.,ENGINE",2,2,,,,,,,,,,,,,,,,,,,,,  
7-1,1,,172174-13220,, BRACKET,2,2,,,,,R,,72174AMA-1,M910001,72174AMA-  
1,M910001,,,,,,,,,,,,,  
8,1,,172162-13200,, "BOLT M10X30",8,8,,,,,,,,,,,,,,,,,,,,,  
8-1,1,,172174-13260,, "BOLT M10X30",8,8,,,,,R,,72174AMA-1,M910001,72174AMA-  
1,M910001,,,,,,,,,,,,,  
9,1,,172124-13230,, "STOPPER, ENGINE",4,4,,,,,,,,,,,,,,,,,,,,,  
9-1,1,,172174-13270,, "STOPPER, ENGINE",4,4,,,,,R,,72174AMA-1,M910001,72174AMA-  
1,M910001,,,,,,,,,,,,,  
10,1,,172131-37170,, "BOLT M12X 30",6,6,,,,,,,,,,,,,,,,,,,,,  
11,1,,172137-46040,, "SEAT, SPRING",8,8,,,,,,,,,,,,,,,,,,,,,  
12,1,,22217-100000,, "SPRING WASHER 10",8,8,,,,,,,,,,,,,,,,,,,,,  
13,1,,22217-120000,, "WASHER 12,SPRING",6,6,,,,,,,,,,,,,,,,,,,,,  
14,1,,22217-120000,, "WASHER 12,SPRING",8,8,,,,,,,,,,,,,,,,,,,,,  
15,1,,26013-100252,, "BOLT W/WASHER M10X25",8,8,,,,,,,,,,,,,,,,,,,,,  
16,1,,26013-120302,, "BOLT W/WASHER M12X30",8,8,,,,,,,,,,,,,,,,,,,,,  
17,1,,26716-120002,, "NUT M12",8,8,,,,,,,,,,,,,,,,,,,,,  
18,1,,172168-13250,, "ABSORBER,SHOCK 180",2,2,,,,,,,,,,,,,,,,,,,,,

Fig. 5 ENGINE MOUNT

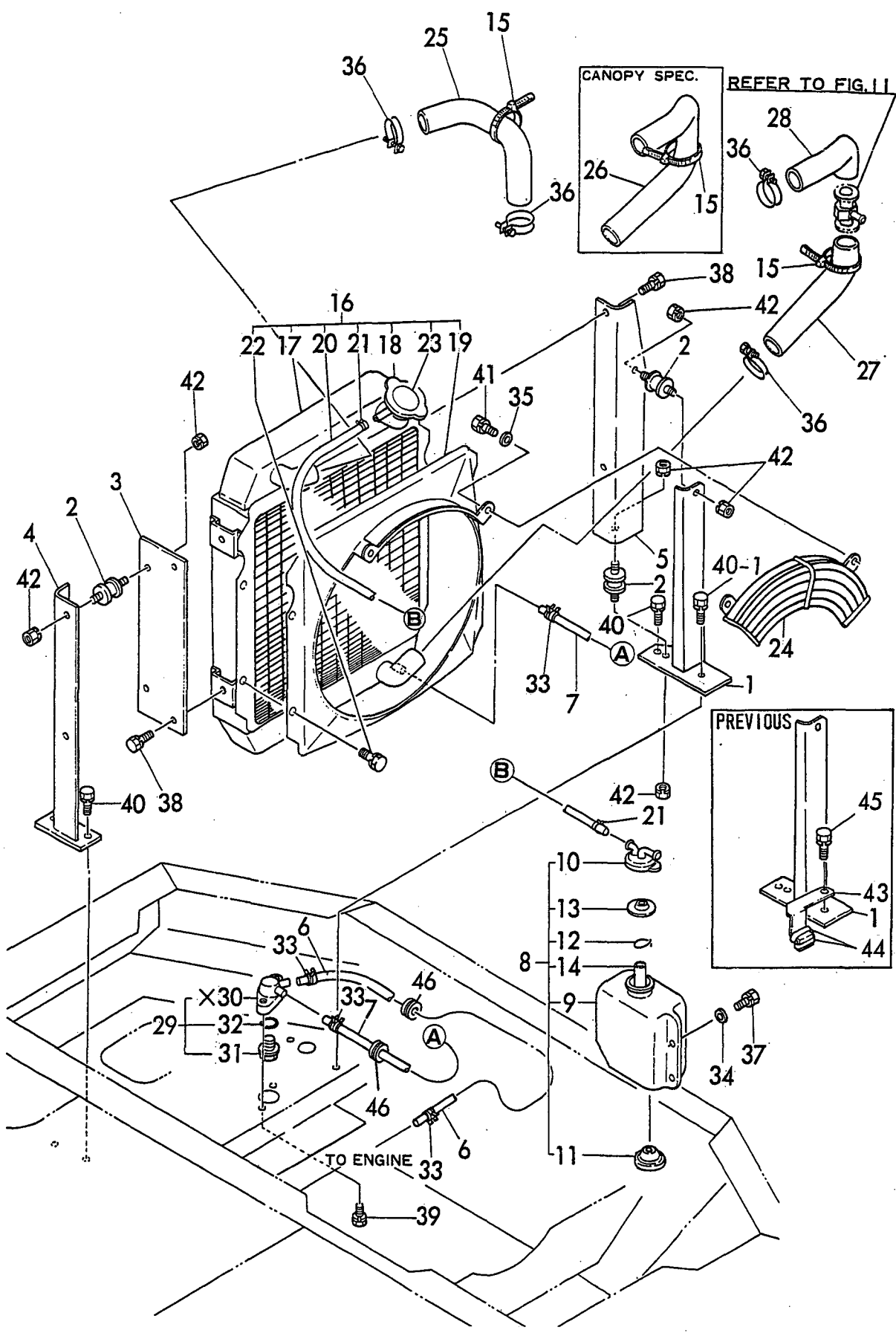


1,1,,172171-13300,, "MOUNT(R), RADIATOR",1,1,,,,,,,,,,,,,  
1-1,1,,172174-13300,, "MOUNT(R), RADIATOR",1,1,,,,,R,,72174AMA-  
1,M910001,72174AMA-1,M910001,,,,,,,,,  
2,1,,172122-13310,, "MOUNT, RADIATOR",4,4,,,,,,,,,,,,,  
3,1,,172171-13330,, "PLATE, RADIATOR",1,1,,,,,,,,,,,,,  
3-1,1,,172174-13330,, "PLATE, RADIATOR",1,1,,,,,R,,72174AMA-1,M910001,72174AMA-  
1,M910001,,,,,,,,,  
4,1,,172171-13340,, "MOUNT L CMP,RADIATOR",1,1,,,,,,,,,,,,,  
4-1,1,,172174-13340,, "MOUNT L CMP,RADIATOR",1,1,,,,,R,,72174AMA-  
1,M910001,72174AMA-1,M910001,,,,,,,,,  
5,1,,172171-13410,, BRACKET,1,1,,,,,,,,,,,,,  
5-1,1,,172174-13410,, BRACKET,1,1,,,,,R,,72174AMA-1,M910001,72174AMA-  
1,M910001,,,,,,,,,  
6,1,,172171-13450,, "HOSE 7X750",1,1,,,,,,,,,,,,,  
6-1,1,,172174-13450,, "HOSE 7X750",1,1,,,,,R,,72174AMA-1,M910001,72174AMA-  
1,M910001,,,,,,,,,  
6-2,1,,172174-13451,, "HOSE  
7X1090",1,1,,,,,S,,72174015,\*1993.03,72174015,\*1993.03,,,,,,,,,I  
7,1,,172312-13430,, "HOSE(A), DRAIN",1,1,,,,,,,,,,,,,  
7-1,1,,172174-14630,, "HOSE(A), DRAIN",1,1,,,,,R,,72174AMA-1,M910001,72174AMA-  
1,M910001,,,,,,,,,  
7-2,1,,172174-13460,, "HOSE  
7X560",1,1,,,,,S,,72174015,\*1993.03,72174015,\*1993.03,,,,,,,,,I  
8,1,,121468-44510,, "SUB-TANK ASSY",1,1,,,,,,,,,,,,,  
9,2,,121470-44521,, "BODY,SUB-TANK",1,1,,,,,,,,,,,,,  
10,2,,121450-44531,, CAP,1,1,,,,,,,,,,,,,  
11,2,,121468-44540,, "PLUG, SUB-TANK",1,1,,,,,,,,,,,,,  
12,2,,124450-44560,, CLAMP,1,1,,,,,,,,,,,,,  
13,2,,121470-44581,, GASKET,1,1,,,,,,,,,,,,,  
14,2,,23065-070130,, "PIPE 7X 130",1,1,,,,,,,,,,,,,  
15,1,,172122-79890,, "CLAMP 350",2,2,,,,,,,,,,,,,  
15-1,1,,172159-45160,, "CLAMP 350",2,2,,,,,R,,72174AMA-1,M910001,72174AMA-  
1,M910001,,,,,,,,,  
16,1,,119831-44551,, RADIATOR,1,1,,,,,,,,,,,,,  
17,2,,119831-44650,, "RADIATOR SUB-ASSY.",1,1,,,,,,,,,,,,,  
18,2,,124450-44590,, "CAP, RADIATOR",1,1,,,,,,,,,,,,,  
19,2,,119831-44660,, SHROUD,1,1,,,,,,,,,,,,,  
20,2,,119831-44670,, "RUBBER PIPE",1,1,,,,,,,,,,,,,  
21,2,,121250-44590,, CLAMP,2,2,,,,,,,,,,,,,  
22,2,,26014-080162,, "BOLT M 8X 16",4,4,,,,,,,,,,,,,  
23,2,,124450-44800,, "LABEL, RADIATOR",1,1,,,,,,,,,,,,,  
24,1,,119831-44570,, "NET, WIRE",1,1,,,,,,,,,,,,,  
25,1,,119831-49010,, "PIPE (A), C. WATER",1,1,,,,,,,,,,,,,  
26,1,,119831-49020,, PIPE(B)C.WATER,1,,,,,,,,,,,,,  
27,1,,119831-49040,, PIPE(B)C.WATER,1,,,,,,,,,,,,,  
28,1,,119831-49050,, PIPE(B)C.WATER,1,,,,,,,,,,,,,  
29,1,,121450-49110,, "COCK ASSY, 3-WAY",1,1,,,,,,,,,,,,,  
31,2,,121250-49121,, PLUG,1,1,,,,,,,,,,,,,  
32,2,,24311-000160,, "O-RING 1A P-16.0",1,1,,,,,,,,,,,,,  
33,1,,124766-59050,, "CLAMP 12",4,4,,,,,,,,,,,,,  
34,1,,22137-060000,, "WASHER 6, POLISHED",2,2,,,,,,,,,,,,,  
35,1,,22137-080000,, "WASHER 8, POLISHED",2,2,,,,,,,,,,,,,  
36,1,,23010-038000,, "CLAMP 38",4,4,,,,,,,,,,,,,  
37,1,,26013-060202,, "BOLT M 6X 20",2,2,,,,,,,,,,,,,  
38,1,,26013-080162,, "BOLT W/WASHER M8X16",4,4,,,,,,,,,,,,,  
39,1,,26013-080162,, "BOLT W/WASHER M8X16",2,2,,,,,,,,,,,,,  
40,1,,26013-100202,, "BOLT W/WASHER M10X20",3,3,,,,,,,,,,,,,  
40-1,1,,26013-100202,, "BOLT W/WASHER  
M10X20",4,4,,,,,K,,72174015,\*1993.03,72174015,\*1993.03,,,,,,,,,I  
41,1,,26013-080162,, "BOLT W/WASHER M8X16",2,2,,,,,,,,,,,,,  
42,1,,26051-080002,, "NUT M 8",8,8,,,,,,,,,,,,,  
43,1,,172171-13500,, "GUIDE,DRAIN HOSE",1,1,,,,,,,,,,,,,

43-1,1,,172174-13500,, "GUIDE,WTR.DRAIN HOSE",1,1,,,,,R,,72174AMA-  
1,M910001,72174AMA-1,M910001,,,,,  
43-2,1,,172174-13500,, "GUIDE,WTR.DRAIN  
HOSE",1,1,,,,,Z,,72174015,\*1993.03,72174015,\*1993.03,,,,,,I  
44,1,,172171-13510,, "HOSE,GUIDE",2,2,,,,,  
44-1,1,,172174-13510,, "HOSE,GUIDE",2,2,,,,,R,,72174AMA-1,M910001,72174AMA-  
1,M910001,,,,,  
44-2,1,,172174-  
13510,, "HOSE,GUIDE",2,2,,,,,Z,,72174015,\*1993.03,72174015,\*1993.03,,,,,,I  
45,1,,26013-100252,, "BOLT W/WASHER  
M10X25",1,1,,,,,Z,,72174015,\*1993.03,72174015,\*1993.03,,,,,,I  
46,1,,1A1380-58050,, "GROMMET  
16X20X4.5",2,2,,,,,W,,72174023,\*1993.12,72174023,\*1993.12,,,,,,I



Fig. 6 RADIATOR & MOUNT

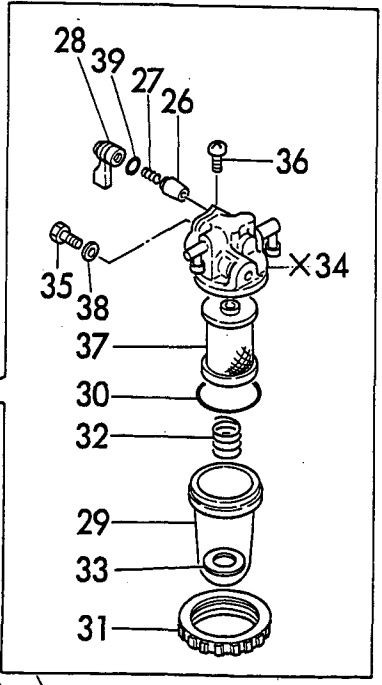
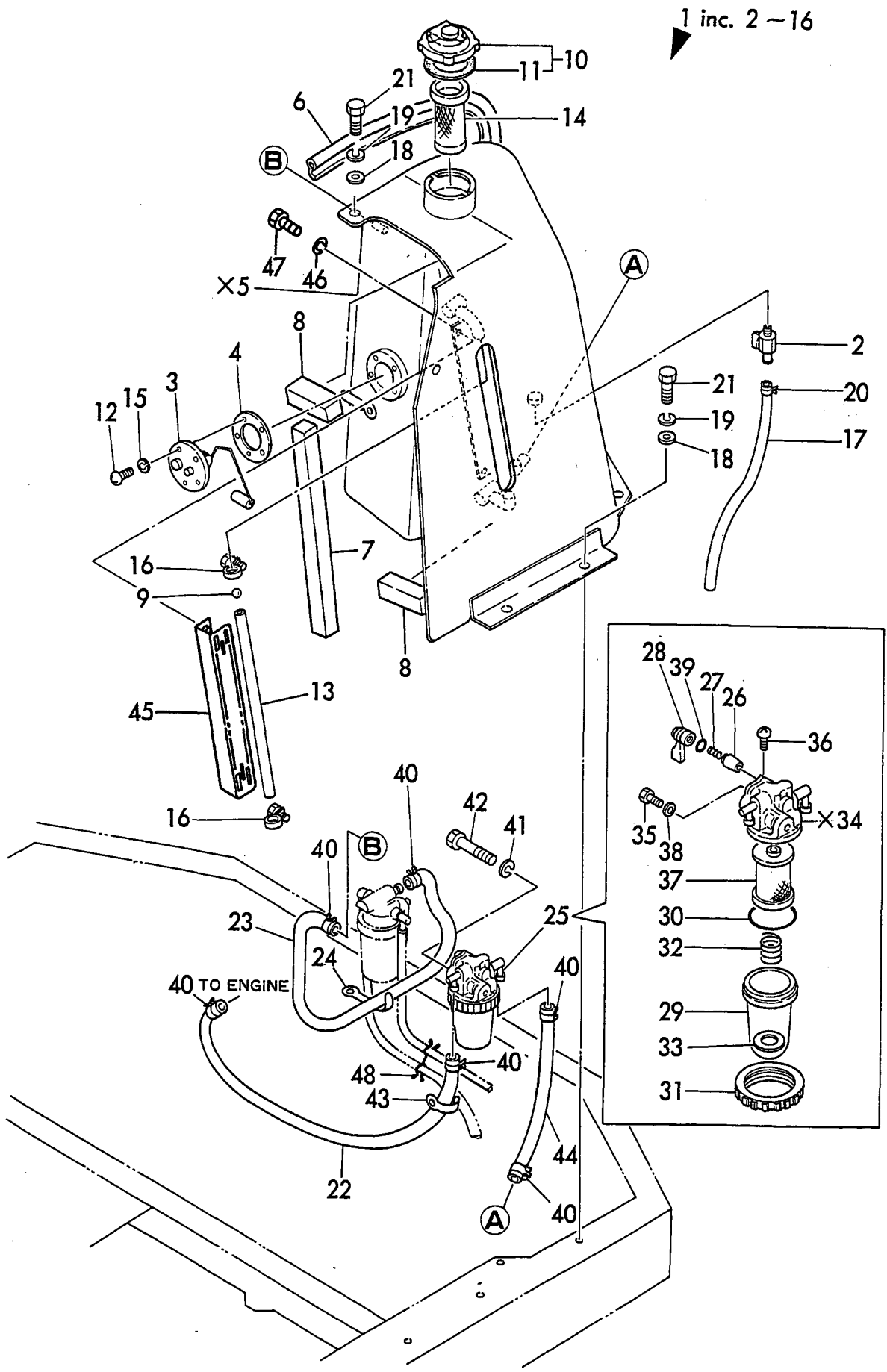


X MARK PARTS: NOT SOLD SEPARATELY.

1,1,,772171-14100,, "TANK ASSY",1,1,,,,,,,,,,,,,,,,,,,,,  
1-1,1,,772174-14100,, "TANK ASSY",1,1,,,,,R,,72174AMA-1,M910001,72174AMA-  
1,M910001,,,,,,,,,,,,,  
2,2,,104200-11920,, COCK,1,1,,,,,,,,,,,,,,,,,,,,,  
3,2,,172162-14180,, "GAUGE UNIT,FUEL",1,1,,,,,,,,,,,,,,,,,,,,,  
4,2,,172162-14200,, GASKET,1,1,,,,,,,,,,,,,,,,,,,,,  
6,3,,172171-14150,, "RUBBER,SEAL",1,1,,,,,,,,,,,,,,,,,,,,,  
7,3,,172168-14220,, "SEAL A,CR SPONGE",1,1,,,,,,,,,,,,,,,,,,,,,  
7-1,3,,172174-14340,, "SEAL A,CR SPONGE",1,1,,,,,R,,72174AMA-1,M910001,72174AMA-  
1,M910001,,,,,,,,,,,,,  
8,3,,172168-14240,, "SEAL B,CR SPONGE",2,2,,,,,,,,,,,,,,,,,,,,,  
8-1,3,,172174-14360,, "SEAL B,CR SPONGE",2,2,,,,,R,,72174AMA-1,M910001,72174AMA-  
1,M910001,,,,,,,,,,,,,  
9,2,,172141-14260,, FLOAT,1,1,,,,,,,,,,,,,,,,,,,,,  
10,2,,172122-14300,, "CAP, FUEL TANK",1,1,,,,,,,,,,,,,,,,,,,,,  
11,3,,105430-55070,, GASKET,1,1,,,,,,,,,,,,,,,,,,,,,  
12,2,,26557-050122,, "SCREW M 5X 12",5,5,,,,,,,,,,,,,,,,,,,,,  
13,2,,172142-14420,, "PIPE, FUEL",1,1,,,,,,,,,,,,,,,,,,,,,  
13-1,2,,172142-14421,, "HOSE, FUEL  
GAUGE",1,1,,,,,N,,72168223,\*1994.05,72168223,\*1994.05,,,,,,,,,,,,,I  
14,2,,101504-55101,, "STRAINER,FUEL INLET",1,1,,,,,,,,,,,,,,,,,,,,,  
15,2,,22217-050000,, "SPRING WASHER 5",5,5,,,,,,,,,,,,,,,,,,,,,  
16,2,,23010-014000,, "CLAMP 14",2,2,,,,,,,,,,,,,,,,,,,,,  
17,1,,172142-14320,, "GAUGE, FUEL",1,1,,,,,,,,,,,,,,,,,,,,,  
18,1,,194145-04810,, "WASHER 10",6,6,,,,,,,,,,,,,,,,,,,,,  
18-1,1,,172159-65930,, "WASHER 10",6,6,,,,,R,,72174AMA-1,M910001,72174AMA-  
1,M910001,,,,,,,,,,,,,  
19,1,,22217-100000,, "SPRING WASHER 10",6,6,,,,,,,,,,,,,,,,,,,,,  
20,1,,23080-013000,, "CLAMP 13,HOSE",1,1,,,,,,,,,,,,,,,,,,,,,  
21,1,,26116-100252,, "BOLT M10X 25 PLATED",6,6,,,,,,,,,,,,,,,,,,,,,  
22,1,,172171-14600,, "HOSE 800",1,1,,,,,,,,,,,,,,,,,,,,,  
22-1,1,,172174-14640,, "HOSE 800",1,1,,,,,R,,72174AMA-1,M910001,72174AMA-  
1,M910001,,,,,,,,,,,,,  
23,1,,172142-14620,, "HOSE L750, FUEL",1,1,,,,,,,,,,,,,,,,,,,,,  
23-1,1,,172174-14620,, "HOSE 7X750,FUEL",1,1,,,,,R,,72174AMA-1,M910001,72174AMA-  
1,M910001,,,,,,,,,,,,,  
24,1,,172126-16540,, "CLAMP 10X70",1,1,,,,,,,,,,,,,,,,,,,,,  
25,1,,129335-55700,, "SEPARATOR, WATER",1,1,,,,,,,,,,,,,,,,,,,,,  
26,2,,104200-55321,, "VALVE, TAPER",1,1,,,,,,,,,,,,,,,,,,,,,  
27,2,,104200-55330,, "SPRING, TAPER VALVE",1,1,,,,,,,,,,,,,,,,,,,,,  
28,2,,104200-55341,, "HANDLE, COCK",1,1,,,,,,,,,,,,,,,,,,,,,  
29,2,,124064-55510,, "BOWL, FUEL STRAINER",1,1,,,,,,,,,,,,,,,,,,,,,  
30,2,,102103-55520,, O-RING,1,1,,,,,,,,,,,,,,,,,,,,,  
31,2,,110250-55610,, "RING, RETAINING",1,1,,,,,,,,,,,,,,,,,,,,,  
32,2,,121257-55720,, "SPRING, SCREEN",1,1,,,,,,,,,,,,,,,,,,,,,  
33,2,,121257-55731,, FLOAT,1,1,,,,,,,,,,,,,,,,,,,,,  
35,2,,101720-55750,, "PLUG 6",2,2,,,,,,,,,,,,,,,,,,,,,  
36,2,,104200-55750,, "SCREW M 4",1,1,,,,,,,,,,,,,,,,,,,,,  
37,2,,171081-55910,, SCREEN,1,1,,,,,,,,,,,,,,,,,,,,,  
38,2,,23418-060000,, "GASKET 6, NYLON",2,2,,,,,,,,,,,,,,,,,,,,,  
39,2,,24311-240100,, "O-RING 1A P-10A",1,1,,,,,,,,,,,,,,,,,,,,,  
40,1,,23010-016000,, "CLAMP 16",6,6,,,,,,,,,,,,,,,,,,,,,  
41,1,,22217-080000,, "SPRING WASHER 8",1,1,,,,,,,,,,,,,,,,,,,,,  
42,1,,26116-080652,, "BOLT M 8X 65 PLATED",1,1,,,,,,,,,,,,,,,,,,,,,  
43,1,,194440-51620,, "CLAMP, WIRE HARNESS",1,1,,,,,,,,,,,,,,,,,,,,,  
44,1,,172171-14610,, "HOSE 260,FUEL",1,1,,,,,,,,,,,,,,,,,,,,,  
44-1,1,,172174-14610,, "HOSE 7X260,FUEL",1,1,,,,,R,,72174AMA-1,M910001,72174AMA-  
1,M910001,,,,,,,,,,,,,  
45,1,,172168-14270,, "COVER ASSY",1,1,,,,,,,,,,,,,,,,,,,,,  
45-1,1,,172174-14270,, "COVER COMP.W/SEAL",1,1,,,,,R,,72174AMA-  
1,M910001,72174AMA-1,M910001,,,,,,,,,,,,,  
46,1,,22217-080000,, "SPRING WASHER 8",2,2,,,,,,,,,,,,,,,,,,,,,  
47,1,,26116-080162,, "BOLT M 8X 16 PLATED",2,2,,,,,,,,,,,,,,,,,,,,,

48,1,,172171-14300,,W-CLAMP,1,1,,,,,,,,,,,,,,,,,,,,,

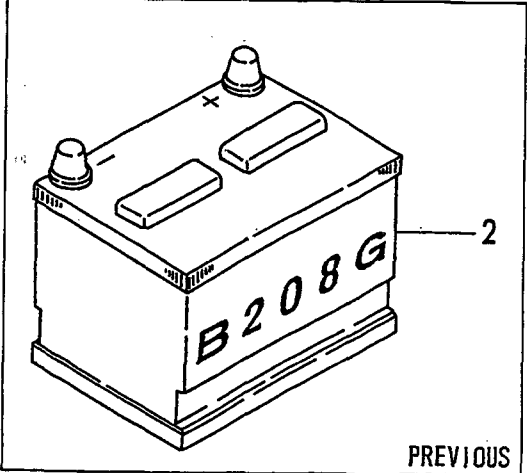
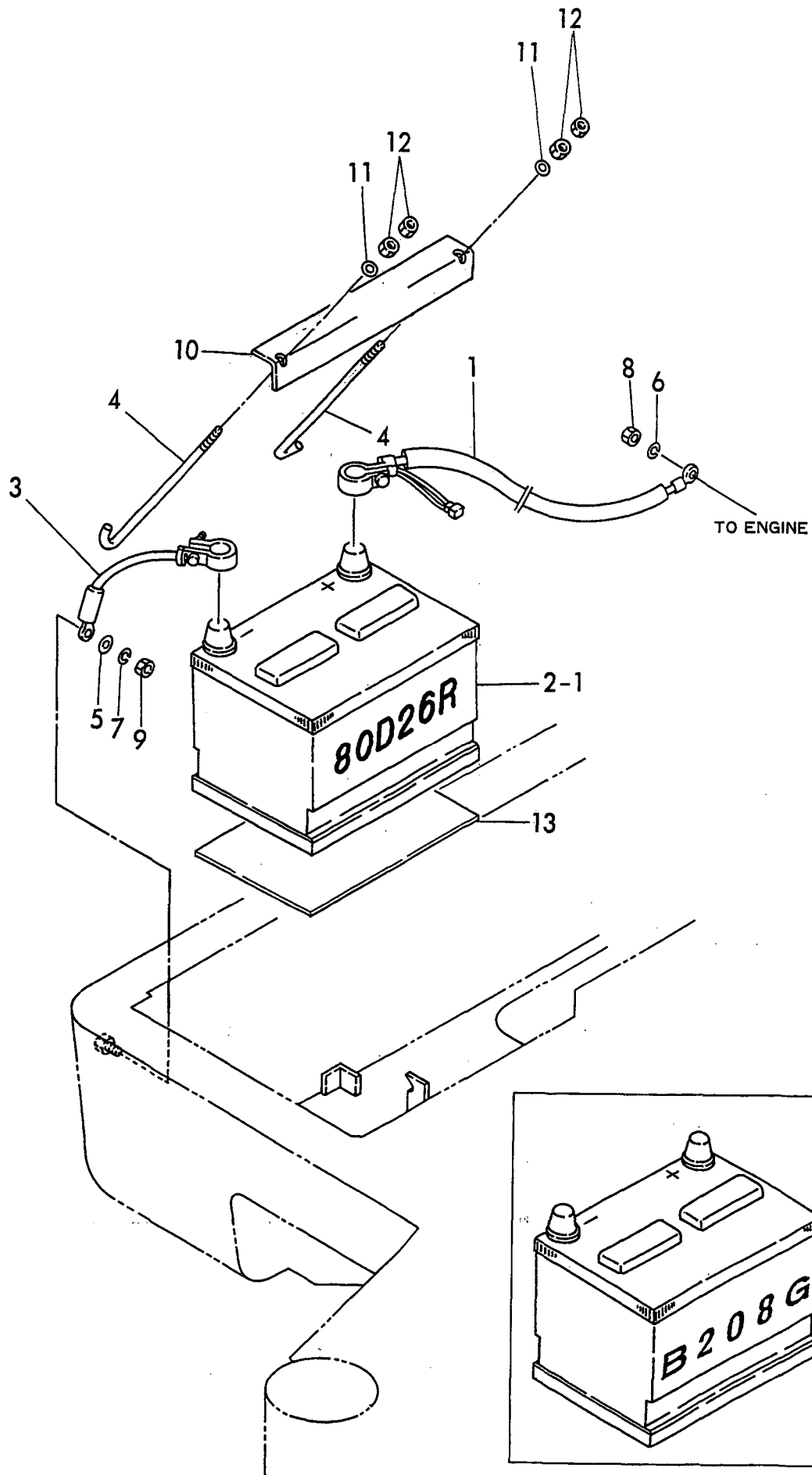
Fig. 7 FUEL TANK & FUEL PIPE



× MARK PARTS: NOT SOLD SEPARATELY.

1,1,,172142-16100,, "CORD(+), BATTERY",1,1,,,,,,,,,,,,,  
2,1,,172161-16200,, "BATTERY B208G",1,1,,,,,,,,,,,,,  
2-1,1,,172174-  
16100,, BATTERY,1,1,,,,,S,,72174003,\*1992.11,72174003,\*1992.11,,,,,,,,,I  
3,1,,172142-16110,, "CORD(-), BATTERY",1,1,,,,,,,,,,,,,  
4,1,,933171-15710,, "ROD(B), BATTERY FIX",2,2,,,,,,,,,,,,,  
4-1,1,,172174-16310,, "ROD(B), BATTERY FIX",2,2,,,,,R,,72174AMA-  
1,M910001,72174AMA-1,M910001,,,,,,,,,  
5,1,,22137-100000,, "WASHER 10,POLISHED",1,1,,,,,,,,,,,,,  
6,1,,22217-080000,, "SPRING WASHER 8",1,1,,,,,,,,,,,,,  
7,1,,22217-100000,, "SPRING WASHER 10",1,1,,,,,,,,,,,,,  
8,1,,26716-080002,, "NUT M 8",1,1,,,,,,,,,,,,,  
9,1,,26716-100002,, "NUT M10",1,1,,,,,,,,,,,,,  
10,1,,172168-16300,, "CLAMP, BATTERY",1,1,,,,,,,,,,,,,  
10-1,1,,172174-16301,, "CLAMP, BATTERY",1,1,,,,,R,,72174AMA-1,M910001,72174AMA-  
1,M910001,,,,,,,,,  
11,1,,22157-080000,, "WASHER 8",2,2,,,,,,,,,,,,,  
12,1,,26716-080002,, "NUT M 8",4,4,,,,,,,,,,,,,  
13,1,,172161-16230,, "RUBBER,BATTERY",1,1,,,,,,,,,,,,,

Fig. 8 BATTERY



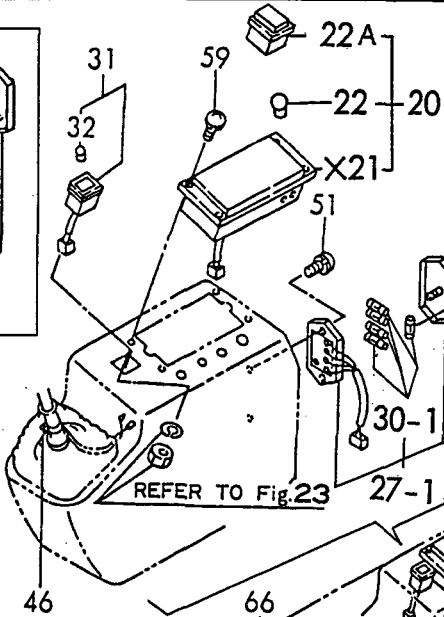
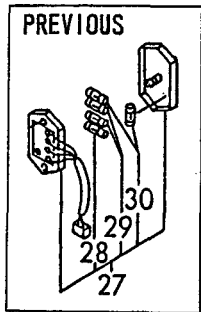
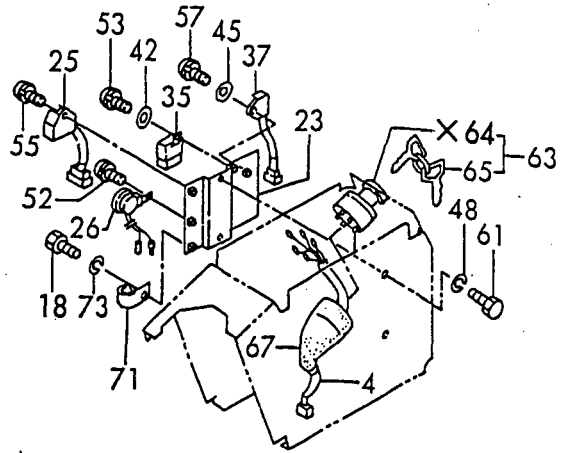
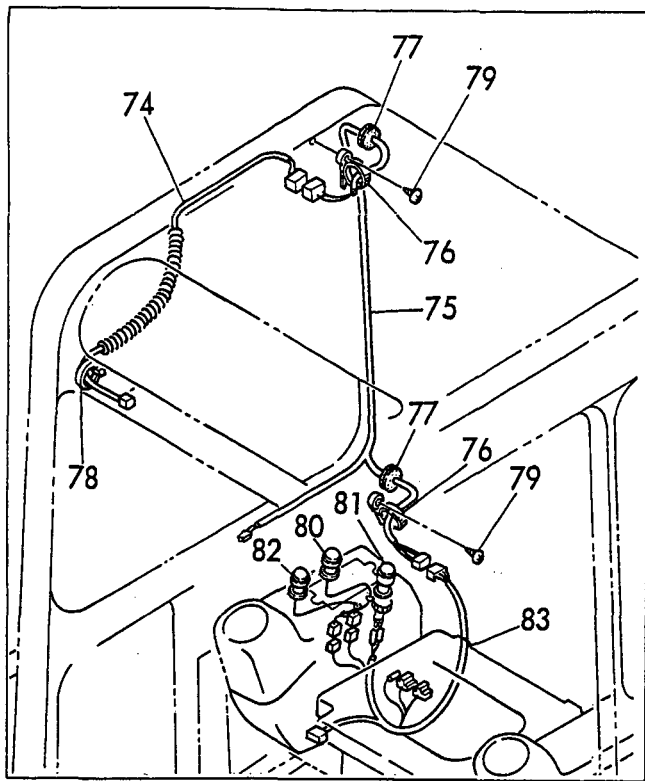
PREVIOUS

1,1,,172168-16500,,HARNES(A),1,1,,,,,,,,,,,,,  
2,1,,172168-16510,,HARNES(B),1,1,,,,,,,,,,,,,  
3,1,,172168-16520,, "HARNES C",1,1,,,,,,,,,,,,,  
4,1,,172165-16530,, "HARNES D",1,1,,,,,,,,,,,,,  
5,1,,172126-16540,, "CLAMP 10X70",2,2,,,,,,,,,,,,,  
6,1,,172122-16570,, "LINK, FUSIBLE",1,1,,,,,,,,,,,,,  
7,1,,172122-79890,, "CLAMP 350",1,1,,,,,,,,,,,,,  
7-1,1,,172159-45160,, "CLAMP 350",1,1,,,,,R,,72174AMA-1,M910001,72174AMA-  
1,M910001,,,,,,,,,  
8,1,,1A1380-58050,, "GROMMET 16X20X4.5",1,1,,,,,,,,,,,,,  
9,1,,22137-100000,, "WASHER 10,POLISHED",,1,,,,,,,,,,,,,  
10,1,,22137-120000,, "WASHER 12,POLISHED",2,2,,,,,,,,,,,,,  
11,1,,22217-100000,, "SPRING WASHER 10",2,2,,,,,,,,,,,,,  
12,1,,22217-100000,, "SPRING WASHER 10",,1,,,,,,,,,,,,,  
13,1,,22217-120000,, "WASHER 12,SPRING",2,2,,,,,,,,,,,,,  
14,1,,26116-100162,, "BOLT M10X 16 PLATED",,1,,,,,,,,,,,,,  
15,1,,26116-100162,, "BOLT M10X 16 PLATED",2,2,,,,,,,,,,,,,  
16,1,,26116-120162,, "BOLT M12X 16 PLATED",2,2,,,,,,,,,,,,,  
17,1,,29311-515000,, "GROMMET 51X5",1,1,,,,,,,,,,,,,  
18,1,,26116-060122,, "BOLT M 6X 12",1,1,,,,,,,,,,,,,  
19,1,,933171-15801,, "WIRE, EARTH",1,1,,,,,,,,,,,,,  
20,1,,172162-17100,, "BOX ASSY, INDICATOR",1,1,,,,,,,,,,,,,  
20-1,1,,172162-17101,, "BOX ASSY,  
INDICATOR",1,1,,,,,N,,72162464,\*1994.05,72162464,\*1994.05,,,,,  
22,2,,172162-17120,, VALVE,4,4,,,,,,,,,,,,,  
22A,2,,172162-  
17130,, HOURMETER,1,1,,,,,W,,72162464,\*1994.05,72162464,\*1994.05,,,,,  
23,1,,172168-17100,, "BRACKET ASSY, ELEC.",1,1,,,,,,,,,,,,,  
23-1,1,,172174-17100,, "BRACKET (E) ASSY",1,1,,,,,R,,72174AMA-1,M910001,72174AMA-  
1,M910001,,,,,,,,,  
24,1,,172168-17120,, "BRACKET ASSY, TIMER",1,1,,,,,,,,,,,,,  
24-1,1,,172174-17120,, "BRACKET T COMPL.",1,1,,,,,R,,72174AMA-1,M910001,72174AMA-  
1,M910001,,,,,,,,,  
25,1,,172141-17141,, "UNIT, CHECKER",1,1,,,,,,,,,,,,,  
26,1,,172141-17150,, BUZZER,1,1,,,,,,,,,,,,,  
27,1,,172141-17160,, "BOX, FUSE",1,1,,,,,,,,,,,,,  
27-1,1,,172141-17161,, "BOX,  
FUSE",1,1,,,,,N,,72165378,\*1993.04,72165378,\*1993.04,,,,,I  
28,2,,29411-050000,, "FUSE (  
5A),CARTRIDGE",1,1,,,,,Z,,72165378,\*1993.04,72165378,\*1993.04,,,,,I  
29,2,,29411-100000,, "FUSE  
(10A),CARTRIDGE",2,2,,,,,Z,,72165378,\*1993.04,72165378,\*1993.04,,,,,I  
30,2,,29411-150000,, "FUSE (15A),CARTRIDGE",2,2,,,,,,,,,,,,,  
30-1,2,,29411-150000,, "FUSE  
(15A),CARTRIDGE",5,5,,,,,K,,72165378,\*1993.04,72165378,\*1993.04,,,,,I  
31,1,,172141-17190,, "SWITCH, WORK LAMP",1,1,,,,,,,,,,,,,  
32,2,,172141-17230,, "BULB 24V- 6W",1,1,,,,,,,,,,,,,  
33,1,,172162-17410,, "LAMP ASSY, HEADLIGHT",1,1,,,,,,,,,,,,,  
34,2,,29220-788200,, BULB,1,1,,,,,,,,,,,,,  
35,1,,119247-77100,, "RELAY, SAFETY",1,1,,,,,,,,,,,,,  
36,1,,119640-77711,, "LIMITER,CURRENT",1,1,,,,,,,,,,,,,  
37,1,,121522-77721,, "INDICATOR, CHARGING",1,1,,,,,,,,,,,,,  
38,1,,119650-77910,, "RELAY, GROW",1,1,,,,,,,,,,,,,  
41,1,,119632-77920,, TIMER,1,1,,,,,,,,,,,,,  
41-1,1,,119632-77921,, "TIMER(1  
SEC.",1,1,,,,,N,,72175176,\*1994.12,72175176,\*1994.12,,,,,I  
42,1,,22137-060000,, "WASHER 6, POLISHED",2,2,,,,,,,,,,,,,  
43,1,,22137-060000,, "WASHER 6, POLISHED",1,1,,,,,,,,,,,,,  
44,1,,22137-060000,, "WASHER 6, POLISHED",2,2,,,,,,,,,,,,,  
45,1,,22137-060000,, "WASHER 6, POLISHED",1,1,,,,,,,,,,,,,  
46,1,,933168-55770,, "BAND 146",1,1,,,,,,,,,,,,,  
47,1,,22217-080000,, "SPRING WASHER 8",2,2,,,,,,,,,,,,,  
48,1,,22217-080000,, "SPRING WASHER 8",2,2,,,,,,,,,,,,,

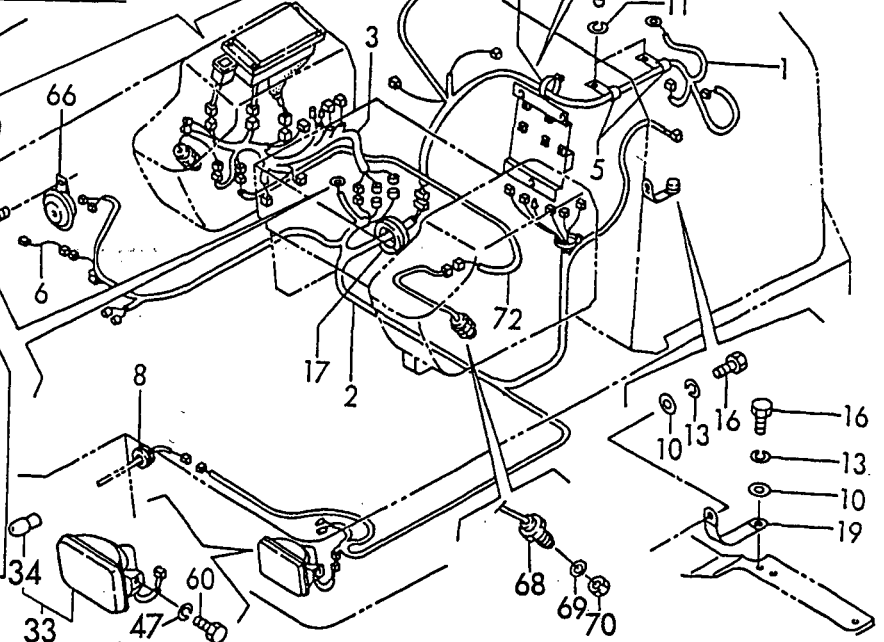
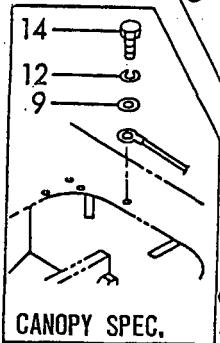
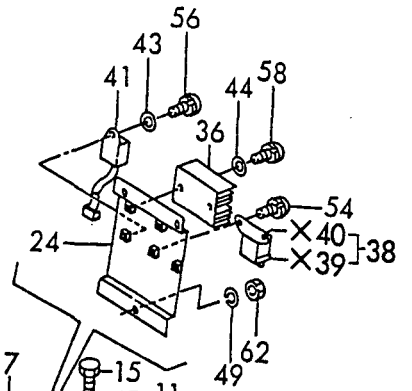
49,1,,22217-100000,, "SPRING WASHER 10",3,3,,,,,,,,,,,,,  
50,1,,26013-060122,, "BOLT M 6X 12",2,2,,,,,,,,,,,,,  
51,1,,26022-050162,, "SCREW M 5X 16",2,2,,,,,,,,,,,,,  
52,1,,26022-060122,, "SCREW M 6X 12",1,1,,,,,,,,,,,,,  
53,1,,26022-060122,, "SCREW M 6X 12",1,1,,,,,,,,,,,,,  
54,1,,26022-060122,, "SCREW M 6X 12",2,2,,,,,,,,,,,,,  
55,1,,26022-060162,, "SCREW M 6X 16",1,1,,,,,,,,,,,,,  
56,1,,26022-060162,, "SCREW M 6X 16",1,1,,,,,,,,,,,,,  
57,1,,26022-060162,, "SCREW M 6X 16",1,1,,,,,,,,,,,,,  
58,1,,26022-060252,, "SCREW M 6X 25",2,2,,,,,,,,,,,,,  
59,1,,26589-040202,, "SCREW M4,BINDING",4,4,,,,,,,,,,,,,  
60,1,,26116-080162,, "BOLT M 8X 16 PLATED",2,2,,,,,,,,,,,,,  
61,1,,26116-080162,, "BOLT M 8X 16 PLATED",2,2,,,,,,,,,,,,,  
62,1,,26716-100002,, "NUT M10",3,3,,,,,,,,,,,,,  
63,1,,933110-00100,, "SWITCH ASSY, STARTER",1,1,,,,,,,,,,,,,  
65,2,,933110-00301,, "KEY ASSY",1,1,,,,,,,,,,,,,  
66,1,,933110-05300,, HORN,1,1,,,,,,,,,,,,,  
67,1,,933113-15900,, "COVER, SWITCH TERMI.",1,1,,,,,,,,,,,,,  
68,1,,194464-52190,, "SWITCH, SAFETY START",2,2,,,,,,,,,,,,,  
69,1,,22137-180000,, "WASHER 18",2,2,,,,,,,,,,,,,  
70,1,,26776-180002,, "NUT M18,LOCK",2,2,,,,,,,,,,,,,  
71,1,,172142-16550,, CLAMP,1,1,,,,,,,,,,,,,  
72,1,,172165-16560,, "HARNESS (G)",1,1,,,,,,,,,,,,,  
73,1,,22217-060000,, "SPRING WASHER 6",1,1,,,,,,,,,,,,,  
74,1,,172137-16000,, WIRE,1,,,,,,,,,,,,,  
75,1,,172171-16100,, "HARNESS,EF WIRE",1,,,,,,,,,,,,,  
76,1,,172122-16590,, "BAND 200F",2,,,,,,,,,,,,,  
77,1,,172137-62970,, "GROMMET 16",2,,,,,,,,,,,,,  
78,1,,172122-79890,, "CLAMP 350",2,,,,,,,,,,,,,  
78-1,1,,172159-45160,, "CLAMP 350",2,,,,,R,,72174AMA-1,M910001,,,,,,,,,  
79,1,,22857-400120,, "SCREW 4X12",2,,,,,,,,,,,,,  
80,1,,172162-17330,, "SWITCH,WIPER",1,,,,,,,,,,,,,  
81,1,,933113-15000,, "CIGAR LIGHTER ASSY",1,,,,,,,,,,,,,  
82,1,,172162-17610,, "SWITCH,HEATER",1,,,,,,,,,,,,,  
83,1,,172165-16600,, "HARNESS E",1,,,,,,,,,,,,,



# Fig. 9 ELECTRIC PART



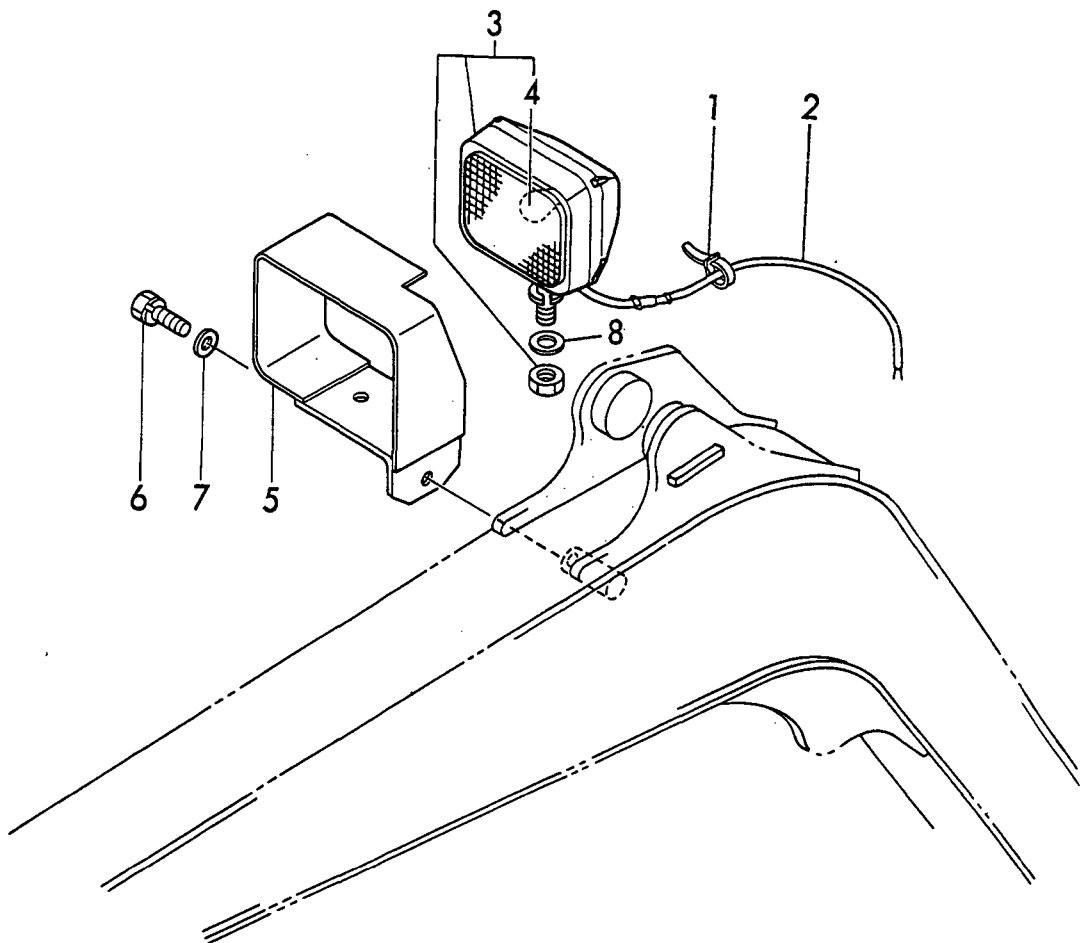
REFER TO Fig. 23



× MARK PARTS: NOT SOLD SEPARATELY.

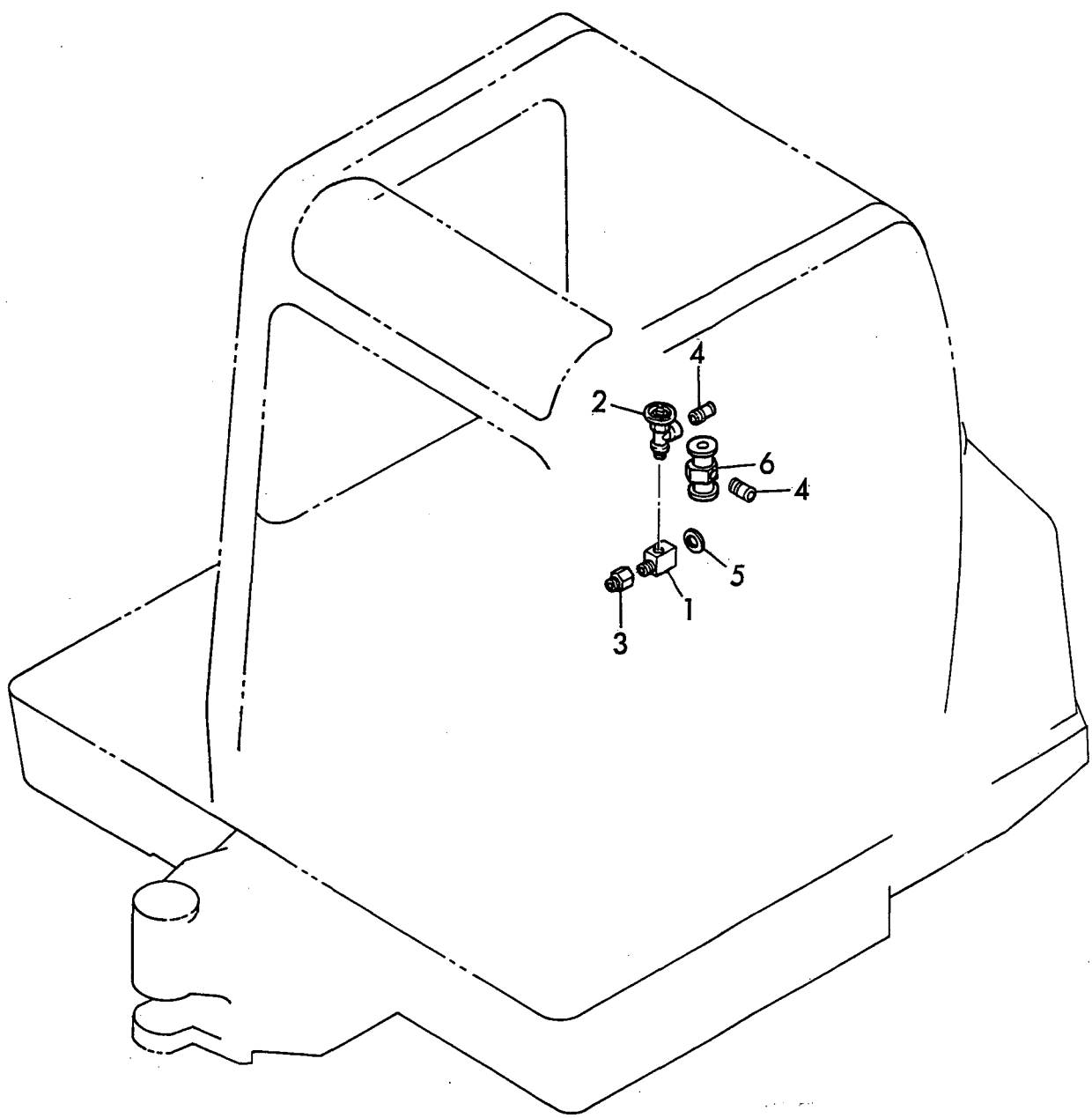
1,1,,172137-16560,,BAND,5,5,,,,,,,,,,,,,  
1-1,1,,172159-17430,,BAND,5,5,,,,,R,,72174AMA-1,M910001,72174AMA-  
1,M910001,,,,,,,,,  
2,1,,172141-16560,, "WIRE, LAMP",1,1,,,,,,,,,,,,,  
2-1,1,,172161-16560,, "WIRE,LAMP",1,1,,,,,R,,72174AMA-1,M910001,72174AMA-  
1,M910001,,,,,,,,,  
3,1,,172141-17200,, "LAMP, WORK",1,1,,,,,,,,,,,,,  
3-1,1,,172161-17200,, "LAMP,WORK",1,1,,,,,R,,72174AMA-1,M910001,72174AMA-  
1,M910001,,,,,,,,,  
4,2,,172141-17210,, "BULB 12V-60W",1,1,,,,,,,,,,,,,  
4-1,2,,172161-17210,, "BULB 15V-60W",1,1,,,,,R,,72174AMA-1,M910001,72174AMA-  
1,M910001,,,,,,,,,  
5,1,,172137-17401,,COVER,1,1,,,,,,,,,,,,,  
5-1,1,,172159-17450,, "COVER, LAMP",1,1,,,,,R,,72174AMA-1,M910001,72174AMA-  
1,M910001,,,,,,,,,  
6,1,,26013-120302,, "BOLT W/WASHER M12X30",1,1,,,,,,,,,,,,,  
7,1,,933152-03700,, "WASHER, SIDE CLUTCH",1,1,,,,,,,,,,,,,  
7-1,1,,172159-75500,, "WASHER, SIDE CLUTCH",1,1,,,,,R,,72174AMA-  
1,M910001,72174AMA-1,M910001,,,,,,,,,  
8,1,,22137-100000,, "WASHER 10,POLISHED",1,1,,,,,,,,,,,,,

Fig. 10 WORK LAMP



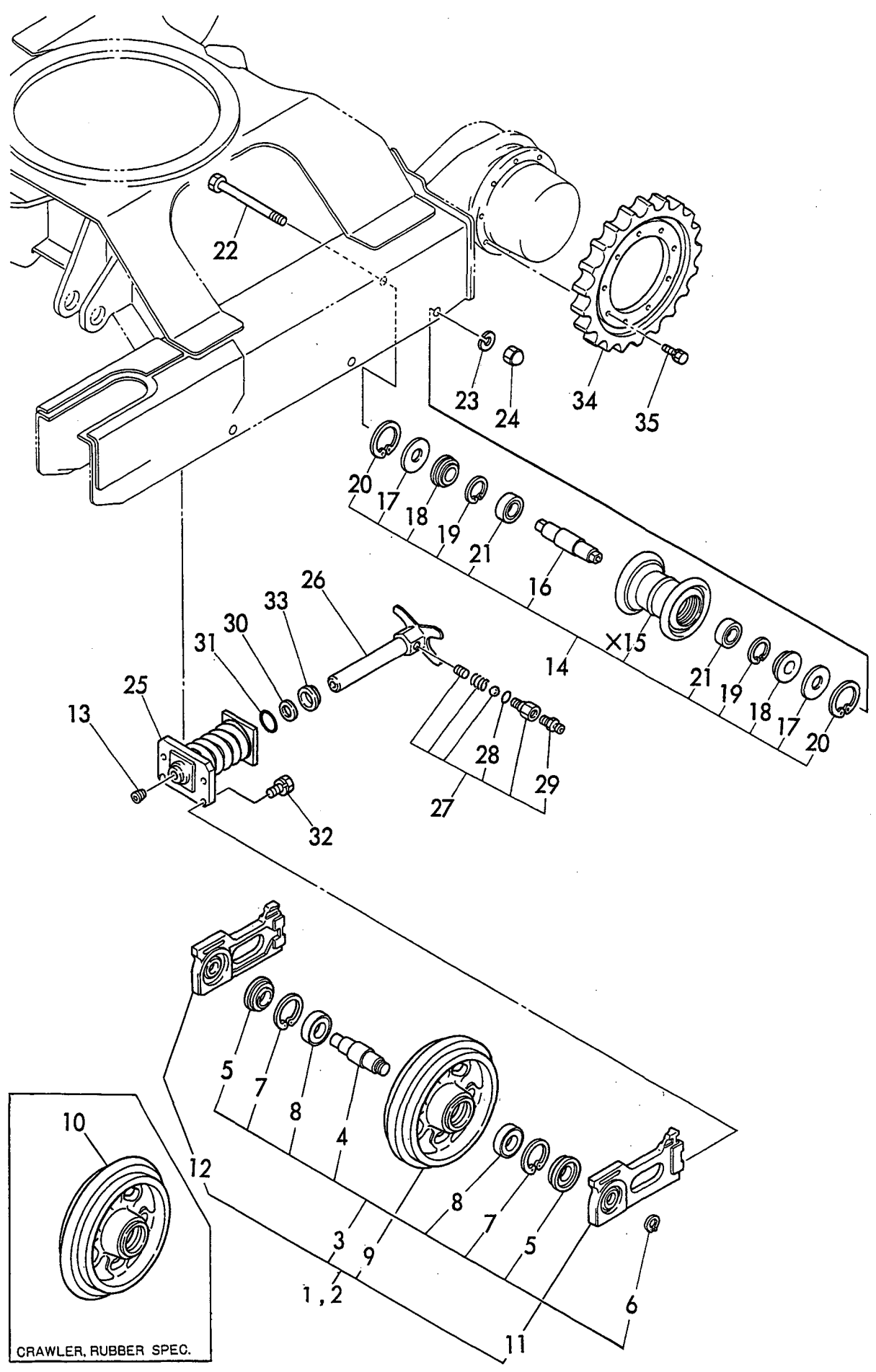
1,1,,172168-17600,, "CONNECTOR PT3/8-M16",1,,,,,,,,,,,,,  
1-1,1,,172174-17620,, "CONNECTOR PT3/8-M16",1,,,,,,R,,72174AMA-1,M910001,,,,,,,,,  
2,1,,172124-17630,, "VALVE, MINIATURE",1,,,,,,,,,,,,,  
3,1,,172137-17630,, "JOINT, HEATER",1,,,,,,,,,,,,,  
3-1,1,,172161-13510,, "JOINT,HEATER",1,,,,,,R,,72174AMA-1,M910001,,,,,,,,,  
4,1,,172124-17640,, "JOINT 3/8",2,,,,,,,,,,,,,  
5,1,,124465-44950,, "GASKET 16",1,,,,,,,,,,,,,  
6,1,,172141-13490,, JOINT,1,,,,,,,,,,,,,  
6-1,1,,172161-13490,, "JOINT,COOL.WTR.PIPE",1,,,,,,R,,72174AMA-1,M910001,,,,,,,,,

Fig. 11 HEATER



1,1,,772141-37100,, "IDLER 280 ASSY",2,2,,,,,,,,,,,,,  
1-1,1,,772141-  
37101,, IDLER,2,2,,,,,R,,72175004,\*1994.02,72175004,\*1994.02,,,,,,,,,I  
2,1,,772146-37100,, "IDLER 280 ASSY",2,2,,,,,1,,,,,,,,,  
2-1,1,,772146-  
37101,, IDLER,2,2,,,,,R,1,72175004,\*1994.02,72175004,\*1994.02,,,,,,,,,I  
3,2,,172141-99490,, "IDLER KIT, FRONT",2,2,,,,,,,,,,,,,  
4,3,,172141-37130,, "SHAFT, IDLER",2,2,,,,,,,,,,,,,  
5,3,,172141-37140,, "SEAL 357220",4,4,,,,,,,,,,,,,  
6,3,,22242-000300,, "CIRCLIP 30",2,2,,,,,,,,,,,,,  
7,3,,22252-000720,, "CIRCLIP 72",4,4,,,,,,,,,,,,,  
8,3,,24101-062074,, "BALL BEARING",4,4,,,,,,,,,,,,,  
9,2,,172141-37100,, "IDLER 280",2,2,,,,,,,,,,,,,  
10,2,,172146-37100,, "IDLER 280",2,2,,,,,1,,,,,,,,,  
11,2,,172141-37110,, "FORK(L), IDLER",2,2,,,,,,,,,,,,,  
11-1,2,,172141-37111,, "FORK(L),  
IDLER",2,2,,,,,R,,72175004,\*1994.02,72175004,\*1994.02,,,,,,,,,I  
12,2,,172141-37120,, "FORK(R), IDLER",2,2,,,,,,,,,,,,,  
12-1,2,,172141-37121,, "FORK(R),  
IDLER",2,2,,,,,R,,72175004,\*1994.02,72175004,\*1994.02,,,,,,,,,I  
13,1,,933171-13691,, "PLUG PT1/8",2,2,,,,,,,,,,,,,  
14,1,,772142-37300,, "ROLLER ASSY, TRACK",6,6,,,,,,,,,,,,,  
16,2,,172146-37310,, "SHAFT, ROLLER",6,6,,,,,,,,,,,,,  
17,2,,172141-37320,, "SPACER 75X2.6",12,12,,,,,,,,,,,,,  
18,2,,1A1030-48250,, "SEAL QLF30621218,OIL",12,12,,,,,,,,,,,,,  
19,2,,22252-000620,, "CIRCLIP 62(H)",12,12,,,,,,,,,,,,,  
20,2,,22252-000750,, "CIRCLIP 75",12,12,,,,,,,,,,,,,  
21,2,,933111-73800,, BEARING,12,12,,,,,,,,,,,,,  
22,1,,172113-36050,, "BOLT, ROLLER ADJUST",6,6,,,,,,,,,,,,,  
23,1,,22217-160000,, "SPRING WASHER 16",6,6,,,,,,,,,,,,,  
24,1,,26657-160002,, "CAP NUT M16",6,6,,,,,,,,,,,,,  
25,1,,172146-37700,, SPRING,2,2,,,,,,,,,,,,,  
26,1,,172141-37801,, "PISTON, ADJUST",2,2,,,,,,,,,,,,,  
27,1,,172122-37843,, "VALVE ASSY, NIPPLE",2,2,,,,,,,,,,,,,  
28,2,,24315-000140,, "O-RING 1B P-14.0",2,2,,,,,,,,,,,,,  
29,2,,24761-020000,, "NIPPLE PT1/8,GREASE",2,2,,,,,,,,,,,,,  
30,1,,172141-37850,, "RING G35, BACK UP",2,2,,,,,,,,,,,,,  
31,1,,24325-000350,, "O-RING 1B G 35.0",2,2,,,,,,,,,,,,,  
32,1,,26013-100402,, "BOLT M10X 40",8,8,,,,,,,,,,,,,  
33,1,,933126-34300,, "SEAL 3547710",2,2,,,,,,,,,,,,,  
34,1,,172141-29110,, SPROCKET,2,2,,,,,,,,,,,,,  
35,1,,26013-120302,, "BOLT W/WASHER M12X30",18,18,,,,,,,,,,,,,

Fig. 12 ROLLER & ADJUST



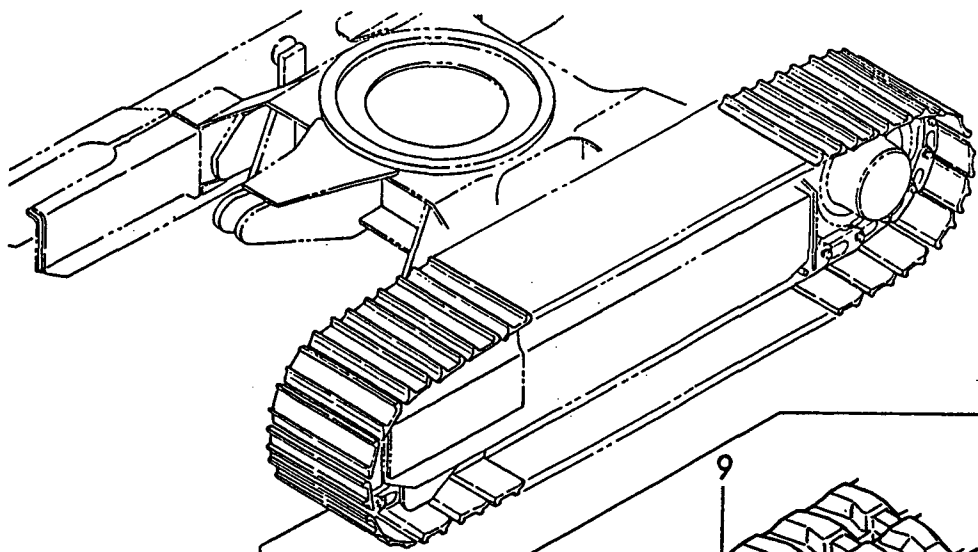
CRAWLER, RUBBER SPEC.

× MARK PARTS: NOT SOLD SEPARATELY.

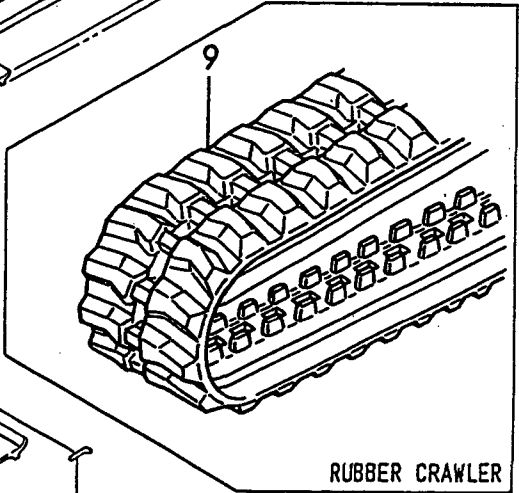
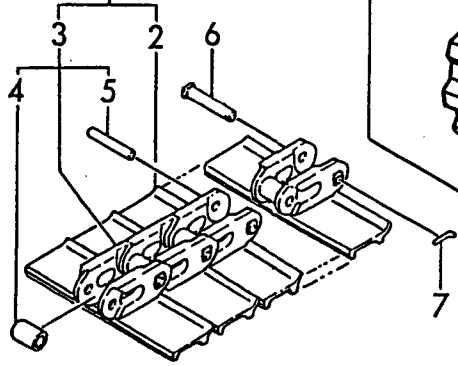
1,1,,172141-38100,, "CRAWLER 270 ASSY",2,2,,,,,,,,,,,,,  
2,2,,172141-38230,, "SHOE 270, CRAWLER",72,72,,,,,,,,,,,,,  
3,2,,172141-38150,, "LINK ASSY, CRAWLER",2,2,,,,,,,,,,,,,  
4,3,,172141-38200,, BUSH,72,72,,,,,,,,,,,,,  
5,3,,172141-38210,, "PIN, CRAWLER",70,70,,,,,,,,,,,,,  
6,1,,172141-38220,, "PIN, MASTER",2,2,,,,,,,,,,,,,  
7,1,,172614-38300,, "PIN 5X45, LOCK",2,2,,,,,,,,,,,,,  
8,1,,172141-38240,, "TRACK 270, MASTER",2,2,,,,,1,,,,,,,,,  
9,1,,172141-38610,, "CRAWLER, RUBBER",2,2,,,,,,,,,,,,,  
9-1,1,,172161-38610,, "CRAWLER, RUBBER",2,2,,,,,R,,72174AMA-1,M910001,72174AMA-  
1,M910001,,,,,,,,,



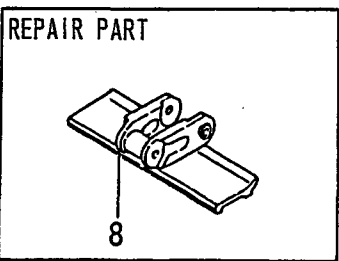
Fig. 13 CRAWLER



CRAWLER(270)



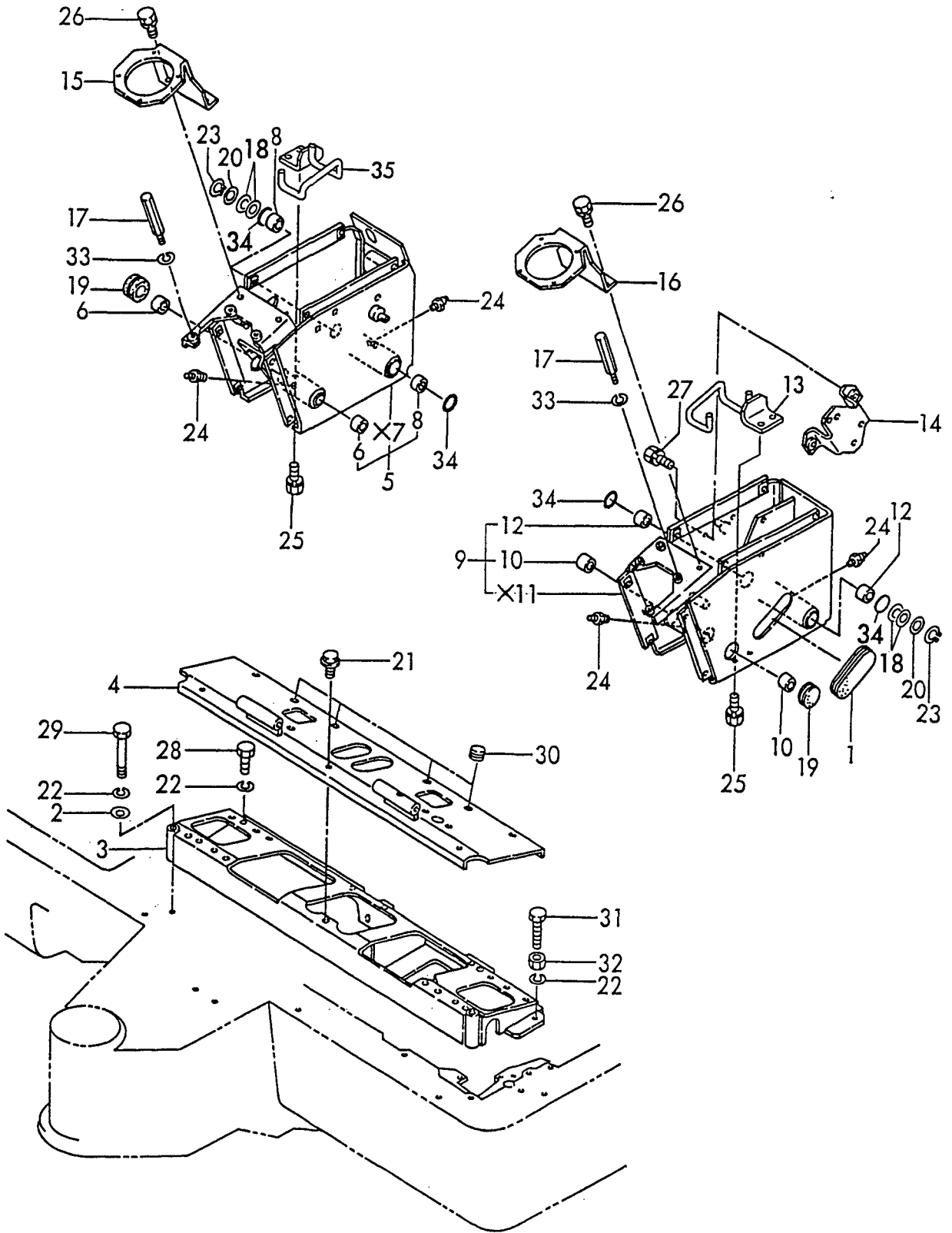
RUBBER CRAWLER



1,1,,172146-41320,,GROMMET,1,1,,,,,,,,,,,,,  
2,1,,194145-04810,,,"WASHER 10",2,2,,,,,,,,,,,,,  
2-1,1,,172159-65930,,,"WASHER 10",2,2,,,,,R,,72174AMA-1,M910001,72174AMA-  
1,M910001,,,,,,,,,  
3,1,,172165-46400,,SUPPORT,1,1,,,,,,,,,,,,,  
3-1,1,,172174-44110,,SUPPORT,1,1,,,,,R,,72174AMA-1,M910001,72174AMA-  
1,M910001,,,,,,,,,  
4,1,,172165-46660,,COVER,1,1,,,,,,,,,,,,,  
4-1,1,,172174-44210,,COVER,1,1,,,,,R,,72174AMA-1,M910001,72174AMA-  
1,M910001,,,,,,,,,  
5,1,,172165-47100,,,"STAND R, LEVER",1,1,,,,,,,,,,,,,  
5-1,1,,172174-44100,,,"STAND R, LEVER",1,1,,,,,R,,72174AMA-1,M910001,72174AMA-  
1,M910001,,,,,,,,,  
6,2,,172141-41370,,,"BUSH 2015",2,2,,,,,,,,,,,,,  
6-1,2,,172161-41370,,,"BUSH 2015",2,2,,,,,R,,72174AMA-1,M910001,72174AMA-  
1,M910001,,,,,,,,,  
8,2,,24550-025150,,,"BUSH 25X15",2,2,,,,,,,,,,,,,  
9,1,,172165-47300,,,"STAND L, LEVER",1,1,,,,,,,,,,,,,  
9-1,1,,172174-44450,,,"STAND L, LEVER",1,1,,,,,R,,72174AMA-1,M910001,72174AMA-  
1,M910001,,,,,,,,,  
10,2,,172141-41370,,,"BUSH 2015",2,2,,,,,,,,,,,,,  
10-1,2,,172161-41370,,,"BUSH 2015",2,2,,,,,R,,72174AMA-1,M910001,72174AMA-  
1,M910001,,,,,,,,,  
12,2,,24550-025150,,,"BUSH 25X15",2,2,,,,,,,,,,,,,  
13,1,,172165-47730,,,"GUIDE, HOSE",1,1,,,,,,,,,,,,,  
13-1,1,,172174-44710,,,"GUIDE L, HOSE",1,1,,,,,R,,72174AMA-1,M910001,72174AMA-  
1,M910001,,,,,,,,,  
14,1,,172165-47770,,,"BRACKET, ACCEL",1,1,,,,,,,,,,,,,  
14-1,1,,172174-44740,,,"BRACKET, ACCEL",1,1,,,,,R,,72174AMA-1,M910001,72174AMA-  
1,M910001,,,,,,,,,  
15,1,,172165-47900,,,"BRACKET R",1,1,,,,,,,,,,,,,  
15-1,1,,172174-44770,,,"BRACKET R",1,1,,,,,R,,72174AMA-1,M910001,72174AMA-  
1,M910001,,,,,,,,,  
16,1,,172165-47930,,,"BRACKET L",1,1,,,,,,,,,,,,,  
16-1,1,,172174-44790,,,"BRACKET L COMP.,EP",1,1,,,,,R,,72174AMA-  
1,M910001,72174AMA-1,M910001,,,,,,,,,  
17,1,,172165-47960,,,"BOLT M 8",4,4,,,,,,,,,,,,,  
17-1,1,,172174-44810,,,"BOLT M 8",4,4,,,,,R,,72174AMA-1,M910001,72174AMA-  
1,M910001,,,,,,,,,  
18,1,,172165-47980,,,"SHIM 42X25.5X0.5",4,4,,,,,,,,,,,,,  
18-1,1,,172174-44820,,,"SHIM 42X25.5X0.5",4,4,,,,,R,,72174AMA-1,M910001,72174AMA-  
1,M910001,,,,,,,,,  
19,1,,172151-53430,,GROMMET,2,2,,,,,,,,,,,,,  
20,1,,172165-47990,,WASHER,2,2,,,,,,,,,,,,,  
20-1,1,,172174-44860,,WASHER,2,2,,,,,R,,72174AMA-1,M910001,72174AMA-  
1,M910001,,,,,,,,,  
21,1,,172519-63240,,,"BOLT 8X 16",8,8,,,,,,,,,,,,,  
21-1,1,,172174-44850,,,"BOLT 8X 16",8,8,,,,,R,,72174AMA-1,M910001,72174AMA-  
1,M910001,,,,,,,,,  
22,1,,22217-100000,,,"SPRING WASHER 10",7,7,,,,,,,,,,,,,  
23,1,,22242-000250,,,"CIRCLIP 25S",2,2,,,,,,,,,,,,,  
24,1,,24761-020000,,,"NIPPLE PT1/8,GREASE",4,4,,,,,,,,,,,,,  
25,1,,26013-080202,,,"BOLT W/WASHER M8X20",4,4,,,,,,,,,,,,,  
26,1,,26013-080202,,,"BOLT W/WASHER M8X20",4,4,,,,,,,,,,,,,  
27,1,,26013-100202,,,"BOLT W/WASHER M10X20",2,2,,,,,,,,,,,,,  
28,1,,26116-100202,,,"BOLT M10X 20 PLATED",5,5,,,,,,,,,,,,,  
29,1,,26116-100902,,,"BOLT M10X 90 PLATED",2,2,,,,,,,,,,,,,  
30,1,,194630-62360,,GROMMET,4,4,,,,,,,,,,,,,  
31,1,,26116-100504,,,"BOLT M10X 50 PLATED",1,1,,,,,,,,,,,,,  
32,1,,26716-100002,,,"NUT M10",1,1,,,,,,,,,,,,,  
33,1,,22217-080000,,,"SPRING WASHER 8",4,4,,,,,,,,,,,,,  
34,1,,24311-000340,,,"O-RING 1A P-34.0",4,4,,,,,,,,,,,,,  
35,1,,172165-47720,,,"GUIDE COMP.,HOSE",1,1,,,,,,,,,,,,,

35-1,1,,172174-44870,, "GUIDE COMP.,HOSE",1,1,,,,,R,,72174AMA-1,M910001,72174AMA-1,M910001,,,,,,

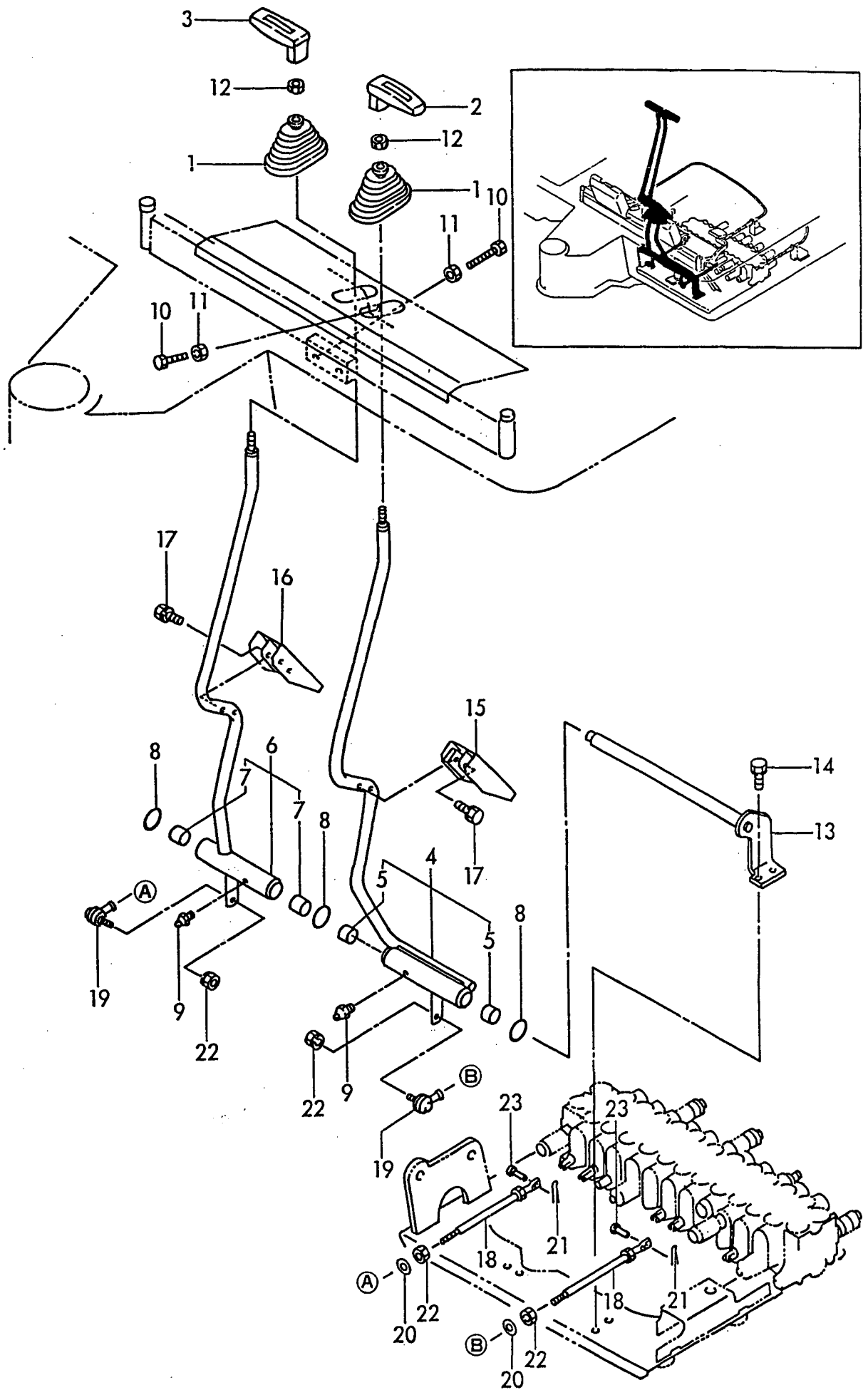
Fig. 14 CONTROL EQUIPMENT (LEVER STAND)



× MARK PARTS: NOT SOLD SEPARATELY.

1,1,,172141-41340,,BOOTS,2,2,,,,,,,,,,,,,  
2,1,,172122-45050,,,"KNOB (L)",1,1,,,,,,,,,,,,,  
3,1,,172122-45060,,,"KNOB (R)",1,1,,,,,,,,,,,,,  
4,1,,172168-45100,,,"LEVER L COMP.,TRACK",1,1,,,,,,,,,,,,,  
4-1,1,,172174-45100,,,"LEVER(L)",1,1,,,,,R,,72174AMA-1,M910001,72174AMA-  
1,M910001,,,,,,,,,  
5,2,,172141-41370,,,"BUSH 2015",2,2,,,,,,,,,,,,,  
5-1,2,,172161-41370,,,"BUSH 2015",2,2,,,,,R,,72174AMA-1,M910001,72174AMA-  
1,M910001,,,,,,,,,  
6,1,,172168-45120,,,"LEVER R COMP.,TRACK",1,1,,,,,,,,,,,,,  
6-1,1,,172174-45160,,,"LEVER(R), TRACK",1,1,,,,,R,,72174AMA-1,M910001,72174AMA-  
1,M910001,,,,,,,,,  
7,2,,172141-41370,,,"BUSH 2015",2,2,,,,,,,,,,,,,  
7-1,2,,172161-41370,,,"BUSH 2015",2,2,,,,,R,,72174AMA-1,M910001,72174AMA-  
1,M910001,,,,,,,,,  
8,1,,172124-46200,,,"O-RING 27X5.7",3,3,,,,,,,,,,,,,  
8-1,1,,172161-46200,,,"O-RING 27X5.7",3,3,,,,,R,,72174AMA-1,M910001,72174AMA-  
1,M910001,,,,,,,,,  
9,1,,24761-020000,,,"NIPPLE PT1/8,GREASE",2,2,,,,,,,,,,,,,  
10,1,,26116-100504,,,"BOLT M10X 50 PLATED",4,4,,,,,,,,,,,,,  
11,1,,26716-100002,,,"NUT M10",4,4,,,,,,,,,,,,,  
12,1,,26756-100002,,,"LOCK NUT M10 PLATED",2,2,,,,,,,,,,,,,  
13,1,,172168-45200,,,"SHAFT, TRACK",1,1,,,,,,,,,,,,,  
13-1,1,,172174-45380,,,"SHAFT, TRACK",1,1,,,,,R,,72174AMA-1,M910001,72174AMA-  
1,M910001,,,,,,,,,  
14,1,,26013-100252,,,"BOLT W/WASHER M10X25",2,2,,,,,,,,,,,,,  
15,1,,172165-46100,,,"PEDAL L ASSY",1,1,,,,,,,,,,,,,  
15-1,1,,172174-46100,,,"PEDAL L ASSY",1,1,,,,,R,,72174AMA-1,M910001,72174AMA-  
1,M910001,,,,,,,,,  
16,1,,172165-46150,,,"PEDAL R COMP",1,1,,,,,,,,,,,,,  
16-1,1,,172174-46150,,,"PEDAL R COMP",1,1,,,,,R,,72174AMA-1,M910001,72174AMA-  
1,M910001,,,,,,,,,  
17,1,,26013-060302,,,"BOLT M 6X 30",4,4,,,,,,,,,,,,,  
18,1,,172168-45940,,,"ROD 200",2,2,,,,,,,,,,,,,  
18-1,1,,172174-47120,,,"ROD 200",2,2,,,,,R,,72174AMA-1,M910001,72174AMA-  
1,M910001,,,,,,,,,  
19,1,,172122-46590,,,"ELBALL 8",2,2,,,,,,,,,,,,,  
20,1,,22137-080000,,,"WASHER 8, POLISHED",2,2,,,,,,,,,,,,,  
21,1,,22417-160160,,,"COTTER PIN 1.6X16",2,2,,,,,,,,,,,,,  
22,1,,26051-080002,,,"NUT M 8",4,4,,,,,,,,,,,,,  
23,1,,933110-54100,,,"PIN 4.75X14",2,2,,,,,,,,,,,,,  
23-1,1,,172159-42910,,,"PIN 4.75X14",2,2,,,,,R,,72174AMA-1,M910001,72174AMA-  
1,M910001,,,,,,,,,

Fig. 15 CONTROL EQUIPMENT (TRAVEL)

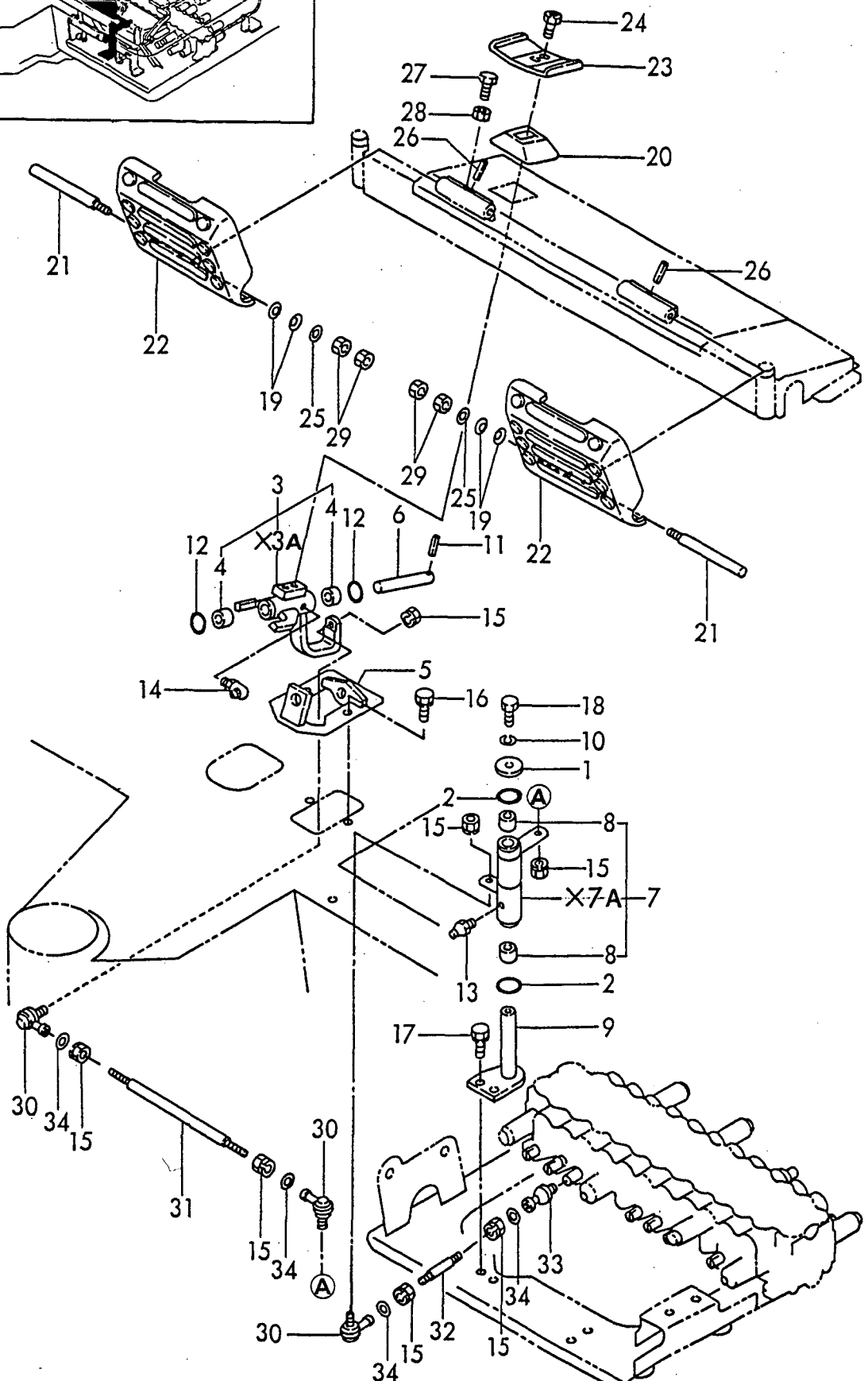
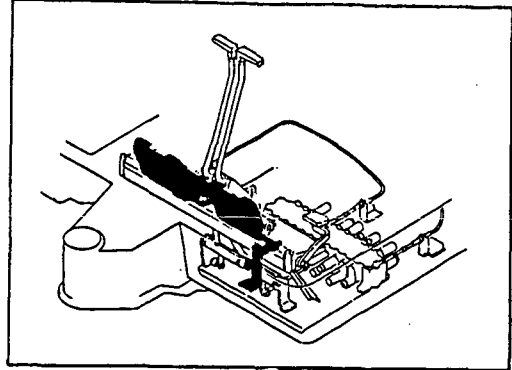


1,1,,1A1040-45890,, "WASHER 10 36 4.5",1,1,,,,,,,,,,,,,  
1-1,1,,172159-41860,, "WASHER 10 36 4.5",1,1,,,,,R,,72174AMA-1,M910001,72174AMA-  
1,M910001,,,,,,,,,  
2,1,,172124-46200,, "O-RING 27X5.7",2,2,,,,,,,,,,,,,  
2-1,1,,172161-46200,, "O-RING 27X5.7",2,2,,,,,R,,72174AMA-1,M910001,72174AMA-  
1,M910001,,,,,,,,,  
3,1,,172165-46300,, "LINK W/BUSH",1,1,,,,,,,,,,,,,  
3-1,1,,172174-45410,, "LINK, PEDAL",1,1,,,,,R,,72174AMA-1,M910001,72174AMA-  
1,M910001,,,,,,,,,  
4,2,,172141-41360,, "BUSH 1415",2,2,,,,,,,,,,,,,  
4-1,2,,172161-41360,, "BUSH 1415",2,2,,,,,R,,72174AMA-1,M910001,72174AMA-  
1,M910001,,,,,,,,,  
5,1,,172165-46350,, "BRACKET, PEDAL",1,1,,,,,,,,,,,,,  
5-1,1,,172174-45470,, "BRACKET, PEDAL",1,1,,,,,R,,72174AMA-1,M910001,72174AMA-  
1,M910001,,,,,,,,,  
6,1,,172165-46390,, "PIN 14X105",1,1,,,,,,,,,,,,,  
6-1,1,,172174-45510,, "PIN 14X105",1,1,,,,,R,,72174AMA-1,M910001,72174AMA-  
1,M910001,,,,,,,,,  
7,1,,172168-46800,, "LINK W/BUSH, SWING",1,1,,,,,,,,,,,,,  
7-1,1,,172174-45520,, "LINK W/BUSH, SWING",1,1,,,,,R,,72174AMA-  
1,M910001,72174AMA-1,M910001,,,,,,,,,  
8,2,,172141-41370,, "BUSH 2015",2,2,,,,,,,,,,,,,  
8-1,2,,172161-41370,, "BUSH 2015",2,2,,,,,R,,72174AMA-1,M910001,72174AMA-  
1,M910001,,,,,,,,,  
9,1,,172168-46820,, SHAFT,1,1,,,,,,,,,,,,,  
9-1,1,,172174-45570,, SHAFT,1,1,,,,,R,,72174AMA-1,M910001,72174AMA-  
1,M910001,,,,,,,,,  
10,1,,22217-100000,, "SPRING WASHER 10",1,1,,,,,,,,,,,,,  
11,1,,22351-040032,, "SPRING PIN 4X32",1,1,,,,,,,,,,,,,  
12,1,,24311-000210,, "O-RING 1A P-21.0",2,2,,,,,,,,,,,,,  
13,1,,24761-020000,, "NIPPLE PT1/8,GREASE",1,1,,,,,,,,,,,,,  
14,1,,24761-040000,, "NIPPLE B,GREASE",1,1,,,,,,,,,,,,,  
15,1,,26051-080002,, "NUT M 8",7,7,,,,,,,,,,,,,  
16,1,,26013-100202,, "BOLT W/WASHER M10X20",2,2,,,,,,,,,,,,,  
17,1,,26013-100252,, "BOLT W/WASHER M10X25",2,2,,,,,,,,,,,,,  
18,1,,26116-100202,, "BOLT M10X 20 PLATED",1,1,,,,,,,,,,,,,  
19,1,,172068-28490,, "SPRING 8",4,4,,,,,,,,,,,,,  
19-1,1,,172174-46360,, "SPRING 8",4,4,,,,,R,,72174AMA-1,M910001,72174AMA-  
1,M910001,,,,,,,,,  
20,1,,172157-45990,, "BOOTS, PEDAL",1,1,,,,,,,,,,,,,  
21,1,,172165-46230,, "SHAFT, SWING",2,2,,,,,,,,,,,,,  
21-1,1,,172174-46230,, "SHAFT, SWING",2,2,,,,,R,,72174AMA-1,M910001,72174AMA-  
1,M910001,,,,,,,,,  
22,1,,172165-46260,, "COVER, PEDAL",2,2,,,,,,,,,,,,,  
22-1,1,,172174-46260,, "COVER, PEDAL",2,2,,,,,R,,72174AMA-1,M910001,72174AMA-  
1,M910001,,,,,,,,,  
23,1,,172165-46280,, "PEDAL ASSY, SWING",1,1,,,,,,,,,,,,,  
23-1,1,,172174-46280,, "PEDAL COMP., SWING",1,1,,,,,R,,72174AMA-  
1,M910001,72174AMA-1,M910001,,,,,,,,,  
24,1,,172165-46340,, BOLT,2,2,,,,,,,,,,,,,  
24-1,1,,172174-46350,, BOLT,2,2,,,,,R,,72174AMA-1,M910001,72174AMA-  
1,M910001,,,,,,,,,  
25,1,,22137-080000,, "WASHER 8, POLISHED",2,2,,,,,,,,,,,,,  
26,1,,22351-040020,, "SPRING PIN 4X20",2,2,,,,,,,,,,,,,  
27,1,,26116-080254,, "BOLT M 8X 25 PLATED",2,2,,,,,,,,,,,,,  
28,1,,26716-080002,, "NUT M 8",2,2,,,,,,,,,,,,,  
29,1,,26756-080002,, "LOCK NUT M 8 PLATED",4,4,,,,,,,,,,,,,  
30,1,,172122-46590,, "ELBALL 8",3,3,,,,,,,,,,,,,  
31,1,,172168-46840,, "ROD 240",1,1,,,,,,,,,,,,,  
31-1,1,,172174-47140,, "ROD 240",1,1,,,,,R,,72174AMA-1,M910001,72174AMA-  
1,M910001,,,,,,,,,  
32,1,,172168-46860,, "ROD 100",1,1,,,,,,,,,,,,,

32-1,1,,172174-47150,, "ROD 100",1,1,,,,,R,,72174AMA-1,M910001,72174AMA-  
1,M910001,,,,,  
33,1,,172122-47250,, "BALL 8, LINK",1,1,,,,,,,,,,,,,  
34,1,,22137-080000,, "WASHER 8, POLISHED",4,4,,,,,,,,,,,,,



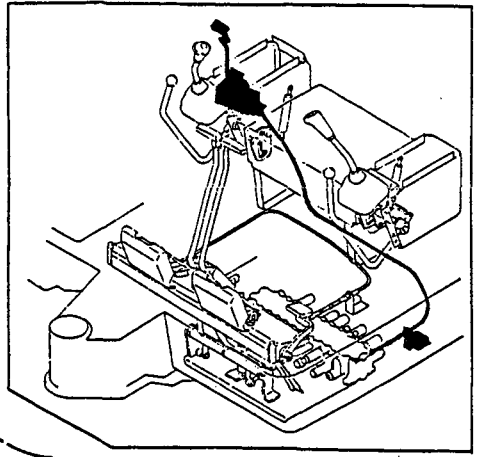
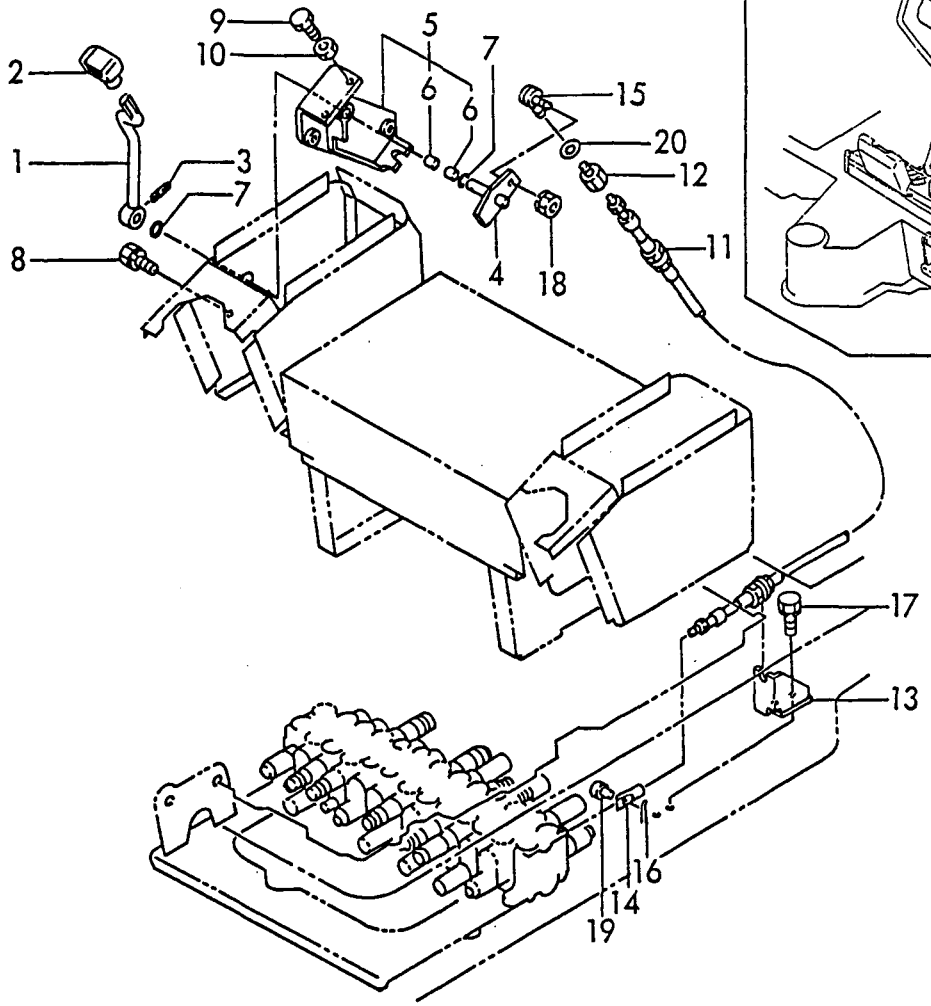
Fig. 16 CONTROL EQUIPMENT (SWING)



× MARK PARTS: NOT SOLD SEPARATELY.

1,1,,172165-45270,, "LEVER ASSY, BLADE S",1,1,,,,,,,,,,,,,  
1-1,1,,172174-45210,, "LEVER ASSY, BLADE S",1,1,,,,,R,,72174AMA-  
1,M910001,72174AMA-1,M910001,,,,,,,,,  
2,1,,172116-45940,, "KNOB (C), LEVER",1,1,,,,,,,,,,,,,  
3,1,,22351-050032,, "SPRING PIN 5X32",1,1,,,,,,,,,,,,,  
4,1,,172165-45140,, "LINK, BLADE",1,1,,,,,,,,,,,,,  
4-1,1,,172174-45300,, "LINK, BLADE",1,1,,,,,R,,72174AMA-1,M910001,72174AMA-  
1,M910001,,,,,,,,,  
5,1,,172165-45180,, "BRACKET ASSY, REAR",1,1,,,,,,,,,,,,,  
5-1,1,,172174-45330,, "BRACKET ASY",1,1,,,,,R,,72174AMA-1,M910001,72174AMA-  
1,M910001,,,,,,,,,  
6,2,,172141-41360,, "BUSH 1415",2,2,,,,,,,,,,,,,  
6-1,2,,172161-41360,, "BUSH 1415",2,2,,,,,R,,72174AMA-1,M910001,72174AMA-  
1,M910001,,,,,,,,,  
7,1,,24311-000210,, "O-RING 1A P-21.0",2,2,,,,,,,,,,,,,  
8,1,,26013-100202,, "BOLT W/WASHER M10X20",3,3,,,,,,,,,,,,,  
9,1,,26116-100354,, "BOLT M10X 35 PLATED",2,2,,,,,,,,,,,,,  
10,1,,26716-100002,, "NUT M10",2,2,,,,,,,,,,,,,  
11,1,,172141-42950,, "CABLE, BLADE",1,1,,,,,,,,,,,,,  
12,1,,172141-42960,, "JOINT, CABLE",1,1,,,,,,,,,,,,,  
12-1,1,,172159-42940,, "JOINT, CABLE",1,1,,,,,R,,72174AMA-1,M910001,72174AMA-  
1,M910001,,,,,,,,,  
13,1,,172168-45140,, "SUPPORT, BR CABLE",1,1,,,,,,,,,,,,,  
13-1,1,,172174-47100,, "SUPPORT, BR CABLE",1,1,,,,,R,,72174AMA-1,M910001,72174AMA-  
1,M910001,,,,,,,,,  
14,1,,172142-45670,, "ROD, SPOOL",1,1,,,,,,,,,,,,,  
14-1,1,,172174-47110,, "ROD, SPOOL",1,1,,,,,R,,72174AMA-1,M910001,72174AMA-  
1,M910001,,,,,,,,,  
15,1,,172122-46590,, "ELBALL 8",1,1,,,,,,,,,,,,,  
16,1,,22417-160160,, "COTTER PIN 1.6X16",1,1,,,,,,,,,,,,,  
17,1,,26013-100202,, "BOLT W/WASHER M10X20",2,2,,,,,,,,,,,,,  
18,1,,26051-080002,, "NUT M 8",1,1,,,,,,,,,,,,,  
19,1,,933110-54100,, "PIN 4.75X14",1,1,,,,,,,,,,,,,  
19-1,1,,172159-42910,, "PIN 4.75X14",1,1,,,,,R,,72174AMA-1,M910001,72174AMA-  
1,M910001,,,,,,,,,  
20,1,,933168-28480,, "WASHER 20X9X3.2",1,1,,,,,,,,,,,,,  
20-1,1,,172174-47160,, "WASHER 20X9X3.2",1,1,,,,,R,,72174AMA-1,M910001,72174AMA-  
1,M910001,,,,,,,,,

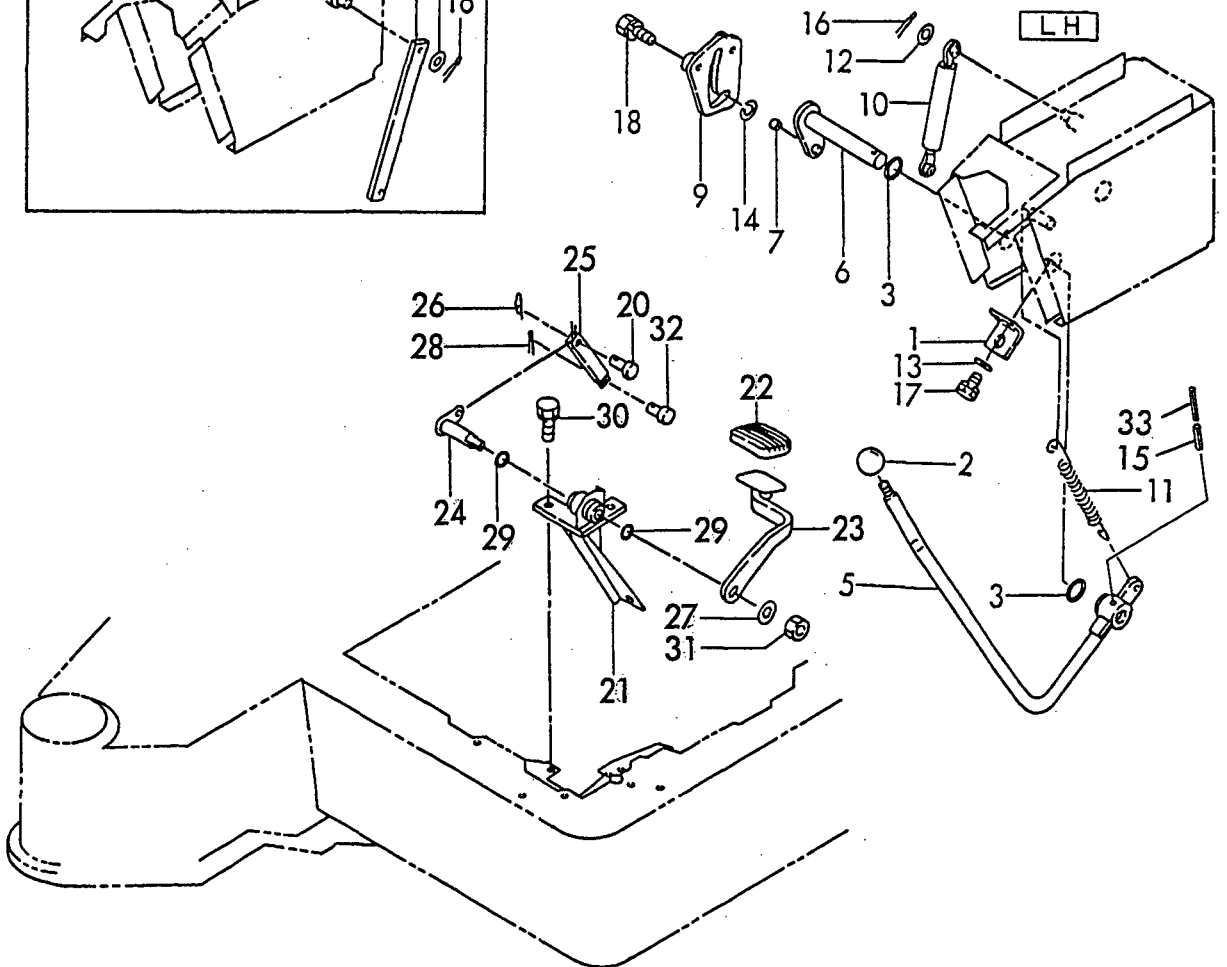
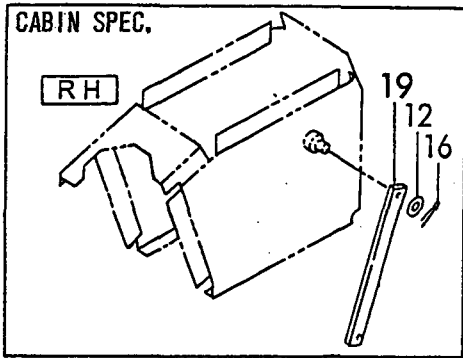
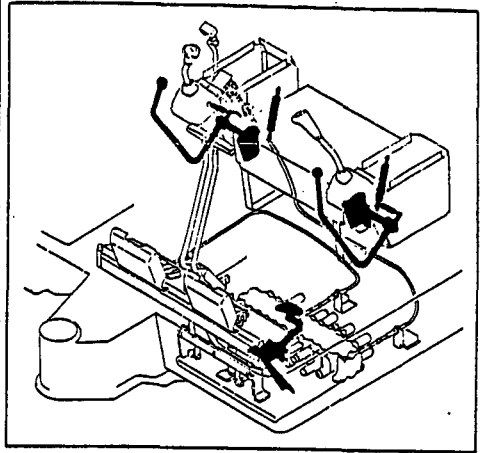
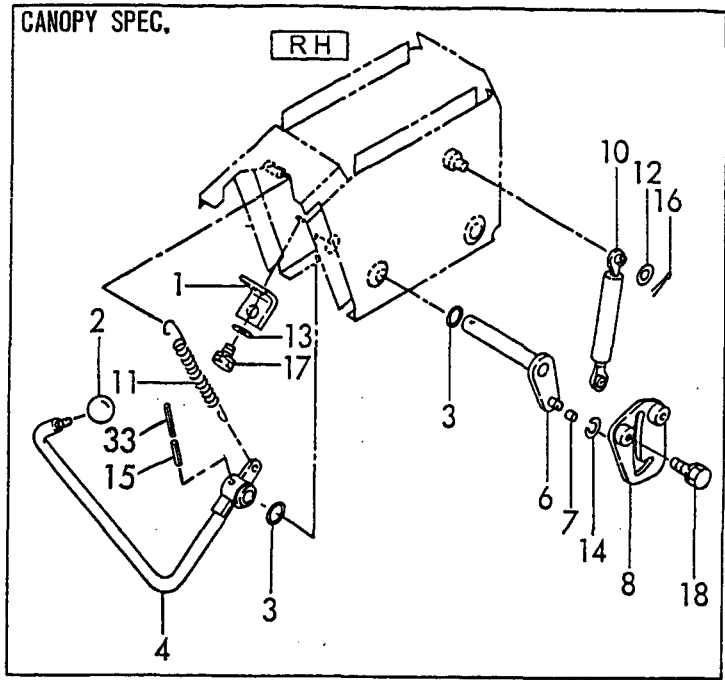
Fig. 17 CONTROL EQUIPMENT (BLADE)



1,1,,172519-17111,,BRACKET,1,2,,,,,,,,,,,,,  
1-1,1,,172174-45710,,,"BRACKET,SAFETY SW.",1,2,,,,,R,,72174AMA-  
1,M910001,72174AMA-1,M910001,,,,,,,,,  
2,1,,1D4070-23580,,,"GRIP,RED ROUND",1,2,,,,,,,,,,,,,  
3,1,,172124-46200,,,"O-RING 27X5.7",2,4,,,,,,,,,,,,,  
3-1,1,,172161-46200,,,"O-RING 27X5.7",2,4,,,,,R,,72174AMA-1,M910001,72174AMA-  
1,M910001,,,,,,,,,  
4,1,,172168-47700,,LEVER,,1,,,,,,,,,,,,,  
4-1,1,,172174-45800,,,"LEVER R CMP.,EP LOCK",1,,,,,R,,,,,72174AMA-  
1,M910001,,,,,,,,,  
5,1,,172165-47680,,,"LEVER L",1,1,,,,,,,,,,,,,  
5-1,1,,172174-44660,,,"RUBBER L CMP,EP LOCK",1,1,,,,,R,,72174AMA-  
1,M910001,72174AMA-1,M910001,,,,,,,,,  
6,1,,172165-47500,,,"ARM ASSY, LOCK",1,2,,,,,,,,,,,,,  
6-1,1,,172174-45720,,,"ARM, LOCK",1,2,,,,,R,,72174AMA-1,M910001,72174AMA-  
1,M910001,,,,,,,,,  
7,1,,172165-47550,,BUSH,1,2,,,,,,,,,,,,,  
7-1,1,,172174-45760,,BUSH,1,2,,,,,R,,72174AMA-1,M910001,72174AMA-  
1,M910001,,,,,,,,,  
8,1,,172165-47600,,,"GUIDE R ASSY, LOCK",1,,,,,,,,,,,,,  
8-1,1,,172174-45770,,,"GUIDE R ASSY, LOCK",1,,,,,R,,,,,72174AMA-1,M910001,,,,,,,,,  
9,1,,172165-47620,,,"GUIDE L COMP.,LOCK",1,1,,,,,,,,,,,,,  
9-1,1,,172174-44630,,,"GUIDE L COMP.,LOCK",1,1,,,,,R,,72174AMA-  
1,M910001,72174AMA-1,M910001,,,,,,,,,  
10,1,,172165-47801,,,"SPRING,GAS",1,2,,,,,,,,,,,,,  
11,1,,1A1380-56661,,,"SPRING,ROTARY RETURN",1,2,,,,,,,,,,,,,  
11-1,1,,172174-45840,,,"SPRING,ROTARY RETURN",1,2,,,,,R,,72174AMA-  
1,M910001,72174AMA-1,M910001,,,,,,,,,  
12,1,,22137-080000,,,"WASHER 8, POLISHED",4,4,,,,,,,,,,,,,  
13,1,,22137-080000,,,"WASHER 8, POLISHED",2,4,,,,,,,,,,,,,  
14,1,,22272-000070,,,"CIRCLIP E- 7",1,2,,,,,,,,,,,,,  
15,1,,22351-060040,,,"SPRING PIN 6X40",1,2,,,,,,,,,,,,,  
16,1,,22417-200200,,,"COTTER PIN 2.0X20",4,4,,,,,,,,,,,,,  
17,1,,26013-080202,,,"BOLT W/WASHER M8X20",2,4,,,,,,,,,,,,,  
18,1,,26013-100202,,,"BOLT W/WASHER M10X20",2,4,,,,,,,,,,,,,  
19,1,,172165-47970,,BAR,1,,,,,,,,,,,,,  
19-1,1,,172174-47970,,BAR,1,,,,,R,,72174AMA-1,M910001,,,,,,,,,  
20,1,,933171-21700,,,"PIN (B), SPOOL LINK",1,1,,,,,,,,,,,,,  
20-1,1,,172174-45980,,,"PIN,SPOOL LINK",1,1,,,,,R,,72174AMA-1,M910001,72174AMA-  
1,M910001,,,,,,,,,  
21,1,,172165-45720,,BRACKET,1,1,,,,,,,,,,,,,  
21-1,1,,172174-45880,,,"BRACKET COMPL.",1,1,,,,,R,,72174AMA-1,M910001,72174AMA-  
1,M910001,,,,,,,,,  
22,1,,172122-45830,,,"PAD, METAL",1,1,,,,,,,,,,,,,  
23,1,,172165-46170,,,"PADAL ASSY, LOW-HIGH",1,1,,,,,,,,,,,,,  
23-1,1,,172174-45910,,,"PADAL ASSY, LOW-HIGH",1,1,,,,,R,,72174AMA-  
1,M910001,72174AMA-1,M910001,,,,,,,,,  
24,1,,172165-46190,,,"LINK ASSY, LOW-HIGH",1,1,,,,,,,,,,,,,  
24-1,1,,172174-45940,,,"LINK COMP.,LOW-HIGH",1,1,,,,,R,,72174AMA-  
1,M910001,72174AMA-1,M910001,,,,,,,,,  
25,1,,172165-46210,,ROD,1,1,,,,,,,,,,,,,  
25-1,1,,172174-45970,,ROD,1,1,,,,,R,,72174AMA-1,M910001,72174AMA-  
1,M910001,,,,,,,,,  
26,1,,1C6281-52310,,,"PIN 6,COME-OFF SNAP",1,1,,,,,,,,,,,,,  
26-1,1,,172159-42070,,,"PIN 6,COME-OFF SNAP",1,1,,,,,R,,72174AMA-  
1,M910001,72174AMA-1,M910001,,,,,,,,,  
27,1,,22137-100000,,,"WASHER 10,POLISHED",1,1,,,,,,,,,,,,,  
28,1,,22417-160160,,,"COTTER PIN 1.6X16",1,1,,,,,,,,,,,,,  
29,1,,24311-000210,,,"O-RING 1A P-21.0",2,2,,,,,,,,,,,,,  
30,1,,26013-100202,,,"BOLT W/WASHER M10X20",2,2,,,,,,,,,,,,,  
31,1,,26347-100002,,,"U-NUT M10",1,1,,,,,,,,,,,,,  
32,1,,933110-54100,,,"PIN 4.75X14",1,1,,,,,,,,,,,,,

32-1,1,,172159-42910,, "PIN 4.75X14",1,1,,,,,R,,72174AMA-1,M910001,72174AMA-  
1,M910001,,,,,  
33,1,,22351-035040,, "SPRING PIN 3.5X40",1,2,,,,,,,,,,,,,

Fig. 18 CONTROL EQUIPMENT (CUT OFF LEVER & LOW-HIGH PEDAL)

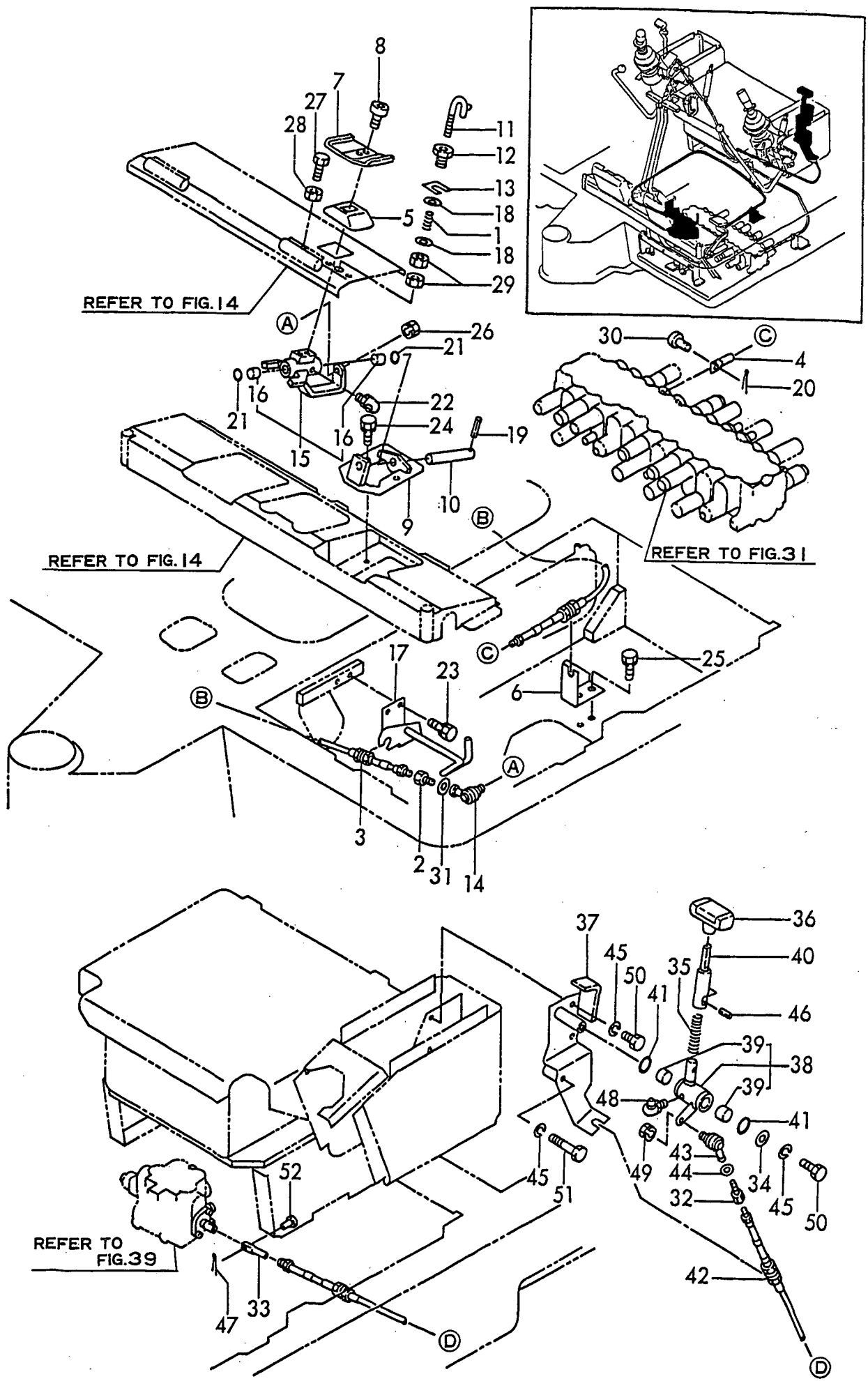


1,1,,1C6141-35370,, "SPRING, LOCK",1,1,,,,,,,,,,,,,,,,,,,,,  
1-1,1,,172174-47200,, "SPRING, LOCK",1,1,,,,,R,,72174AMA-1,M910001,72174AMA-  
1,M910001,,,,,,,,,,,,,  
2,1,,172141-42960,, "JOINT, CABLE",1,1,,,,,,,,,,,,,,,,,,,,,  
2-1,1,,172159-42940,, "JOINT, CABLE",1,1,,,,,R,,72174AMA-1,M910001,72174AMA-  
1,M910001,,,,,,,,,,,,,  
3,1,,172151-45650,, "CABLE",1,1,,,,,,,,,,,,,,,,,,,,,  
4,1,,172142-45670,, "ROD, SPOOL",1,1,,,,,,,,,,,,,,,,,,,,,  
4-1,1,,172174-47110,, "ROD, SPOOL",1,1,,,,,R,,72174AMA-1,M910001,72174AMA-  
1,M910001,,,,,,,,,,,,,  
5,1,,172157-45990,, "BOOTS, PEDAL",1,1,,,,,,,,,,,,,,,,,,,,,  
6,1,,172168-46250,, "SUPPORT",1,1,,,,,,,,,,,,,,,,,,,,,  
6-1,1,,172174-47210,, "SUPPORT,P.T.O.CABLE",1,1,,,,,R,,72174AMA-  
1,M910001,72174AMA-1,M910001,,,,,,,,,,,,,  
7,1,,172165-46280,, "PEDAL ASSY, SWING",1,1,,,,,,,,,,,,,,,,,,,,,  
7-1,1,,172174-46280,, "PEDAL COMP., SWING",1,1,,,,,R,,72174AMA-1,M910001,72174AMA-  
1,M910001,,,,,,,,,,,,,  
8,1,,172165-46340,, "BOLT",2,2,,,,,,,,,,,,,,,,,,,,,  
8-1,1,,172174-46350,, "BOLT",2,2,,,,,R,,72174AMA-1,M910001,72174AMA-  
1,M910001,,,,,,,,,,,,,  
9,1,,172165-46350,, "BRACKET, PEDAL",1,1,,,,,,,,,,,,,,,,,,,,,  
9-1,1,,172174-47260,, "BRACKET, PEDAL",1,1,,,,,R,,72174AMA-1,M910001,72174AMA-  
1,M910001,,,,,,,,,,,,,  
10,1,,172165-46390,, "PIN 14X105",1,1,,,,,,,,,,,,,,,,,,,,,  
10-1,1,,172174-47300,, "PIN 14X105",1,1,,,,,R,,72174AMA-1,M910001,72174AMA-  
1,M910001,,,,,,,,,,,,,  
11,1,,172165-46450,, "LOCK CMP",1,1,,,,,,,,,,,,,,,,,,,,,  
11-1,1,,172174-47310,, "LOCK CMP",1,1,,,,,R,,72174AMA-1,M910001,72174AMA-  
1,M910001,,,,,,,,,,,,,  
12,1,,172165-46480,, "BOLT",1,1,,,,,,,,,,,,,,,,,,,,,  
12-1,1,,172174-47340,, "BOLT",1,1,,,,,R,,72174AMA-1,M910001,72174AMA-  
1,M910001,,,,,,,,,,,,,  
13,1,,172165-46490,, "SHIM",5,5,,,,,,,,,,,,,,,,,,,,,  
13-1,1,,172174-47350,, "SHIM",5,5,,,,,R,,72174AMA-1,M910001,72174AMA-  
1,M910001,,,,,,,,,,,,,  
14,1,,172122-46590,, "ELBALL 8",1,1,,,,,,,,,,,,,,,,,,,,,  
15,1,,172165-46600,, "LINK, PEDAL",1,1,,,,,,,,,,,,,,,,,,,,,  
15-1,1,,172174-47360,, "LINK, PEDAL",1,1,,,,,R,,72174AMA-1,M910001,72174AMA-  
1,M910001,,,,,,,,,,,,,  
16,2,,172141-41360,, "BUSH 1415",2,2,,,,,,,,,,,,,,,,,,,,,  
16-1,2,,172161-41360,, "BUSH 1415",2,2,,,,,R,,72174AMA-1,M910001,72174AMA-  
1,M910001,,,,,,,,,,,,,  
17,1,,172168-46870,, "BRACKET",1,1,,,,,,,,,,,,,,,,,,,,,  
17-1,1,,172174-47420,, "BRACKET COMP., P.T.O.",1,1,,,,,R,,72174AMA-  
1,M910001,72174AMA-1,M910001,,,,,,,,,,,,,  
18,1,,22137-080000,, "WASHER 8, POLISHED",2,2,,,,,,,,,,,,,,,,,,,,,  
19,1,,22351-040032,, "SPRING PIN 4X32",1,1,,,,,,,,,,,,,,,,,,,,,  
20,1,,22417-160160,, "COTTER PIN 1.6X16",1,1,,,,,,,,,,,,,,,,,,,,,  
21,1,,24311-000210,, "O-RING 1A P-21.0",2,2,,,,,,,,,,,,,,,,,,,,,  
22,1,,24761-040000,, "NIPPLE B,GREASE",1,1,,,,,,,,,,,,,,,,,,,,,  
23,1,,26013-100162,, "BOLT M10X 16",2,2,,,,,,,,,,,,,,,,,,,,,  
24,1,,26013-100202,, "BOLT W/WASHER M10X20",2,2,,,,,,,,,,,,,,,,,,,,,  
25,1,,26013-100202,, "BOLT W/WASHER M10X20",2,2,,,,,,,,,,,,,,,,,,,,,  
26,1,,26051-080002,, "NUT M 8",1,1,,,,,,,,,,,,,,,,,,,,,  
27,1,,26116-080254,, "BOLT M 8X 25 PLATED",2,2,,,,,,,,,,,,,,,,,,,,,  
28,1,,26716-080002,, "NUT M 8",2,2,,,,,,,,,,,,,,,,,,,,,  
29,1,,26756-080002,, "LOCK NUT M 8 PLATED",2,2,,,,,,,,,,,,,,,,,,,,,  
30,1,,933110-54100,, "PIN 4.75X14",1,1,,,,,,,,,,,,,,,,,,,,,  
30-1,1,,172159-42910,, "PIN 4.75X14",1,1,,,,,R,,72174AMA-1,M910001,72174AMA-  
1,M910001,,,,,,,,,,,,,  
31,1,,933168-28480,, "WASHER 20X9X3.2",1,1,,,,,,,,,,,,,,,,,,,,,  
31-1,1,,172174-47160,, "WASHER 20X9X3.2",1,1,,,,,R,,72174AMA-1,M910001,72174AMA-  
1,M910001,,,,,,,,,,,,,

32,1,,172141-42960,, "JOINT, CABLE",1,1,,,,,,,,,,,,,  
32-1,1,,172159-42940,, "JOINT, CABLE",1,1,,,,,R,,72174AMA-1,M910001,72174AMA-  
1,M910001,,,,,,,,,  
33,1,,172142-45670,, "ROD, SPOOL",1,1,,,,,,,,,,,,,  
33-1,1,,172174-47110,, "ROD,SPOOL",1,1,,,,,R,,72174AMA-1,M910001,72174AMA-  
1,M910001,,,,,,,,,  
34,1,,1A1040-45890,, "WASHER 10 36 4.5",1,1,,,,,,,,,,,,,  
34-1,1,,172159-41860,, "WASHER 10 36 4.5",1,1,,,,,R,,72174AMA-1,M910001,72174AMA-  
1,M910001,,,,,,,,,  
35,1,,172312-45930,, "SPRING 13X1.2X70",1,1,,,,,,,,,,,,,  
35-1,1,,172174-46400,, "SPRING 13X1.2X70",1,1,,,,,R,,72174AMA-1,M910001,72174AMA-  
1,M910001,,,,,,,,,  
36,1,,172116-45940,, "KNOB (C), LEVER",1,1,,,,,,,,,,,,,  
37,1,,172168-46100,, BRACKET,1,1,,,,,,,,,,,,,  
37-1,1,,172174-46410,, BRACKET,1,1,,,,,R,,72174AMA-1,M910001,72174AMA-  
1,M910001,,,,,,,,,  
38,1,,172168-46160,, "LINK W/BUSH",1,1,,,,,,,,,,,,,  
38-1,1,,172174-46470,, "LINK COMPL.",1,1,,,,,R,,72174AMA-1,M910001,72174AMA-  
1,M910001,,,,,,,,,  
39,2,,172141-41370,, "BUSH 2015",2,2,,,,,,,,,,,,,  
39-1,2,,172161-41370,, "BUSH 2015",2,2,,,,,R,,72174AMA-1,M910001,72174AMA-  
1,M910001,,,,,,,,,  
40,1,,172168-46190,, LEVER,1,1,,,,,,,,,,,,,  
40-1,1,,172174-46510,, "LEVER, REGULATOR",1,1,,,,,R,,72174AMA-1,M910001,72174AMA-  
1,M910001,,,,,,,,,  
41,1,,172124-46200,, "O-RING 27X5.7",2,2,,,,,,,,,,,,,  
41-1,1,,172161-46200,, "O-RING 27X5.7",2,2,,,,,R,,72174AMA-1,M910001,72174AMA-  
1,M910001,,,,,,,,,  
42,1,,172168-46231,, "CABLE, 3RDV",1,1,,,,,,,,,,,,,  
43,1,,172122-46590,, "ELBALL 8",1,1,,,,,,,,,,,,,  
44,1,,933168-28480,, "WASHER 20X9X3.2",1,1,,,,,,,,,,,,,  
44-1,1,,172174-47160,, "WASHER 20X9X3.2",1,1,,,,,R,,72174AMA-1,M910001,72174AMA-  
1,M910001,,,,,,,,,  
45,1,,22217-100000,, "SPRING WASHER 10",4,4,,,,,,,,,,,,,  
46,1,,22351-080020,, "SPRING PIN 8X20",1,1,,,,,,,,,,,,,  
47,1,,22417-160160,, "COTTER PIN 1.6X16",1,1,,,,,,,,,,,,,  
48,1,,24761-050000,, "NIPPLE C,GREASE",1,1,,,,,,,,,,,,,  
49,1,,26051-080002,, "NUT M 8",1,1,,,,,,,,,,,,,  
50,1,,26116-100202,, "BOLT M10X 20 PLATED",3,3,,,,,,,,,,,,,  
51,1,,26116-100602,, "BOLT M10X 60 PLATED",1,1,,,,,,,,,,,,,  
52,1,,933110-54100,, "PIN 4.75X14",1,1,,,,,,,,,,,,,  
52-1,1,,172159-42910,, "PIN 4.75X14",1,1,,,,,R,,72174AMA-1,M910001,72174AMA-  
1,M910001,,,,,,,,,



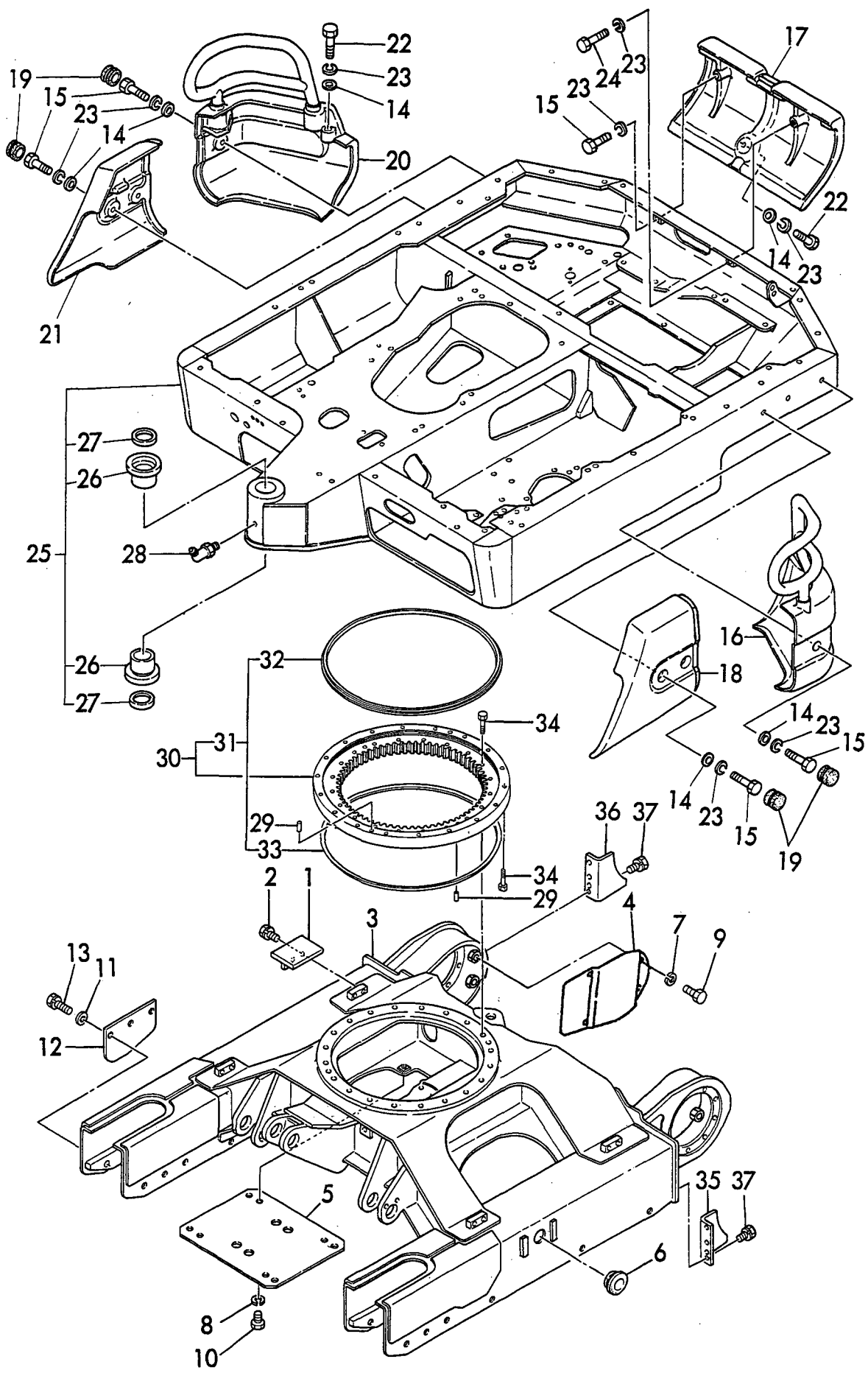
Fig. 19 CONTROL EQUIPMENT (P. T. O. CONTROL)



1,1,,172141-37501,,PLATE,4,4,,,,,,,,,,,,,  
1-1,1,,172161-37500,, "PLATE COMP.,SHOE",4,4,,,,,R,,72174AMA-1,M910001,72174AMA-  
1,M910001,,,,,,,,,  
2,1,,26013-100302,, "BOLT M10X 30",8,8,,,,,,,,,,,,,  
3,1,,172171-54101,, "FRAM, LOWER",1,1,,,,,,,,,,,,,  
3-1,1,,172174-50100,, "FRAME COMP.,LOWER",1,1,,,,,R,,72174AMA-1,M910001,72174AMA-  
1,M910001,,,,,,,,,  
4,1,,172148-61100,, "COVER,TRAVEL",2,2,,,,,,,,,,,,,  
4-1,1,,172174-50750,, "COVER,MOTOR",2,2,,,,,R,,72174AMA-1,M910001,72174AMA-  
1,M910001,,,,,,,,,  
5,1,,172141-50761,, "COVER, UNDER",1,1,,,,,,,,,,,,,  
5-1,1,,172161-50760,, "COVER,UNDER",1,1,,,,,R,,72174AMA-1,M910001,72174AMA-  
1,M910001,,,,,,,,,  
6,1,,172141-50890,,GROMMET,2,2,,,,,,,,,,,,,  
7,1,,22217-100000,, "SPRING WASHER 10",8,8,,,,,,,,,,,,,  
8,1,,22217-120000,, "WASHER 12,SPRING",4,4,,,,,,,,,,,,,  
9,1,,26116-100202,, "BOLT M10X 20 PLATED",8,8,,,,,,,,,,,,,  
10,1,,26116-120252,, "BOLT M12X 25 PLATED",4,4,,,,,,,,,,,,,  
11,1,,172730-05250,, "WASHER 12",12,12,,,,,,,,,,,,,  
11-1,1,,172161-50890,, "WASHER 12",12,12,,,,,R,,72174AMA-1,M910001,72174AMA-  
1,M910001,,,,,,,,,  
12,1,,172141-50901,, "GUARD, SHOE",4,4,,,,,,,,,,,,,  
12-1,1,,172161-50900,, "GUARD,SHOE",4,4,,,,,R,,72174AMA-1,M910001,72174AMA-  
1,M910001,,,,,,,,,  
13,1,,26013-120452,, "BOLT M12X 45",12,12,,,,,,,,,,,,,  
14,1,,172730-05250,, "WASHER 12",9,9,,,,,,,,,,,,,  
14-1,1,,172161-50890,, "WASHER 12",9,9,,,,,R,,72174AMA-1,M910001,72174AMA-  
1,M910001,,,,,,,,,  
15,1,,172131-37170,, "BOLT M12X 30",7,7,,,,,,,,,,,,,  
15-1,1,,172174-53360,, "BOLT M12X 30",7,7,,,,,R,,72174AMA-1,M910001,72174AMA-  
1,M910001,,,,,,,,,  
16,1,,172168-53300,, "WEIGHT L",1,1,,,,,,,,,,,,,  
16-1,1,,172174-53400,, "WEIGHT L",1,1,,,,,R,,72174AMA-1,M910001,72174AMA-  
1,M910001,,,,,,,,,  
17,1,,172171-53310,, "WEIGHT,CENTER",1,1,,,,,,,,,,,,,  
17-1,1,,172174-53310,, "WEIGHT,CENTER",1,1,,,,,R,,72174AMA-1,M910001,72174AMA-  
1,M910001,,,,,,,,,  
18,1,,172171-53340,, "WEIGHT,SIDE(L)",1,1,,,,,,,,,,,,,  
18-1,1,,172174-53340,, "WEIGHT,SIDE(L)",1,1,,,,,R,,72174AMA-1,M910001,72174AMA-  
1,M910001,,,,,,,,,  
19,1,,172141-53350,, "GROMMET 26",6,6,,,,,,,,,,,,,  
19-1,1,,172161-53350,, "GROMMET 26",6,6,,,,,R,,72174AMA-1,M910001,72174AMA-  
1,M910001,,,,,,,,,  
20,1,,172168-53350,, "WEIGHT R",1,1,,,,,,,,,,,,,  
20-1,1,,172174-53460,, "WEIGHT R",1,1,,,,,R,,72174AMA-1,M910001,72174AMA-  
1,M910001,,,,,,,,,  
21,1,,172171-53350,, "WEIGHT,SIDE(R)",1,1,,,,,,,,,,,,,  
21-1,1,,172174-53350,, "WEIGHT,SIDE(R)",1,1,,,,,R,,72174AMA-1,M910001,72174AMA-  
1,M910001,,,,,,,,,  
22,1,,172168-53450,, "BOLT 12X70",3,3,,,,,,,,,,,,,  
22-1,1,,172174-53510,, "BOLT 12X70",3,3,,,,,R,,72174AMA-1,M910001,72174AMA-  
1,M910001,,,,,,,,,  
23,1,,22217-120000,, "WASHER 12,SPRING",11,11,,,,,,,,,,,,,  
24,1,,26116-120552,, "BOLT M12X 55 PLATED",1,1,,,,,,,,,,,,,  
25,1,,172171-54100,, "FRAME W/BUSH,TURNING",1,1,,,,,,,,,,,,,  
25-1,1,,172174-54100,, "FRAME W/BUSH,TURNING",1,1,,,,,R,,72174AMA-  
1,M910001,72174AMA-1,M910001,,,,,,,,,  
25-2,1,,172174-54101,, "FRAME  
W/BUSH,TURNING",1,1,,,,,S,,72174015,\*1993.03,72174015,\*1993.03,,,,,,,,,I  
26,2,,172171-54750,, "BUSH 50X65",2,2,,,,,,,,,,,,,  
26-1,2,,172174-54750,, "BUSH 50X65",2,2,,,,,R,,72174AMA-1,M910001,72174AMA-  
1,M910001,,,,,,,,,  
27,2,,172165-81760,, "SEAL 50X60X4, DUST",2,2,,,,,,,,,,,,,

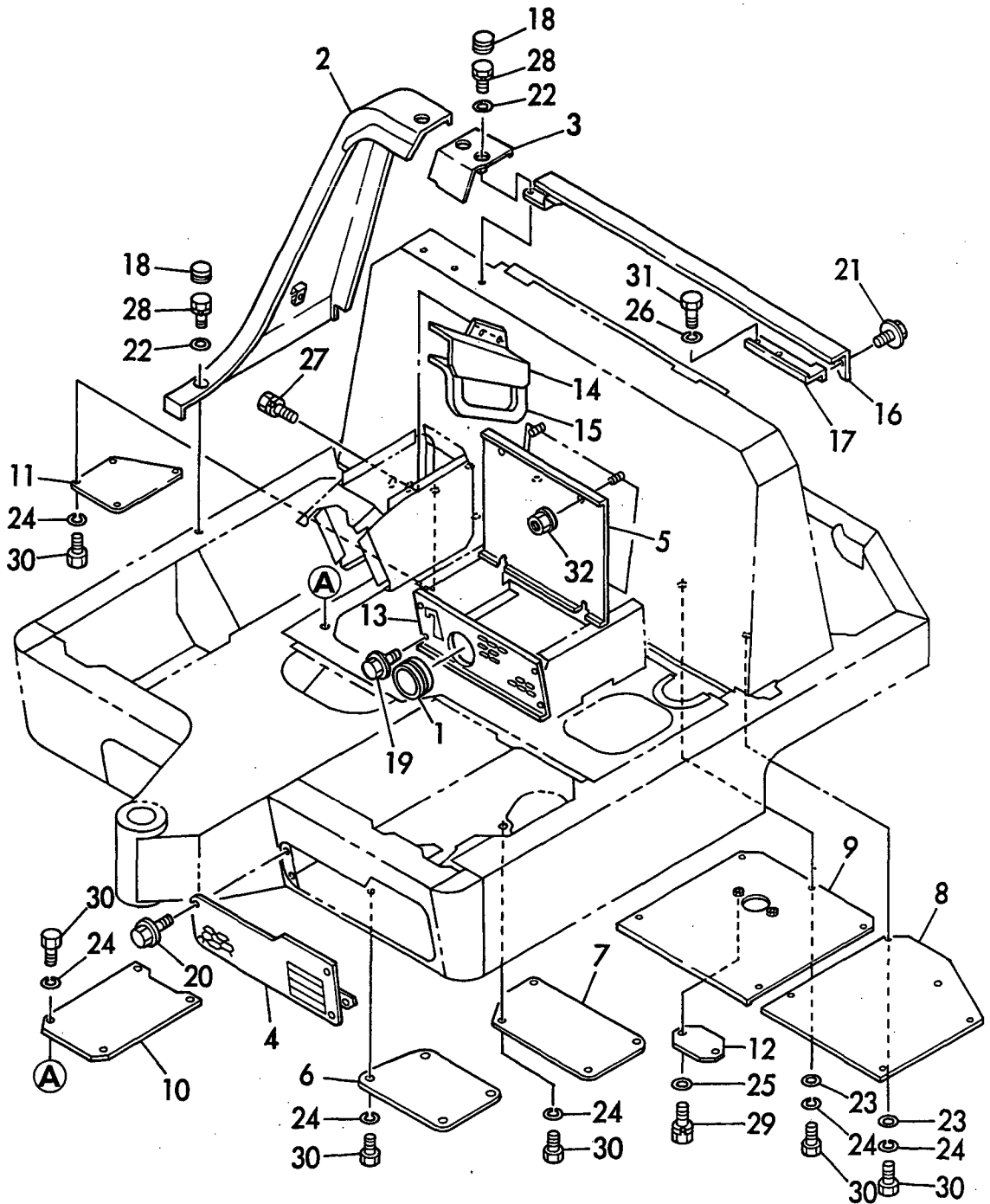
27-1,2,,172174-81760,, "SEAL 50X60X4, DUST",2,2,,,,,R,,72174AMA-  
1,M910001,72174AMA-1,M910001,,,,,  
28,1,,24761-040000,, "NIPPLE B,GREASE",1,1,,,,,  
29,1,,194940-24350,, "PIN 10X28,STRAIGHT",4,4,,,,,  
29-1,1,,172161-57660,, "PIN 10X28,STRAIGHT",4,4,,,,,R,,72174AMA-  
1,M910001,72174AMA-1,M910001,,,,,  
30,1,,172141-57600,, "BEARING, SWING",1,1,,,,,  
30-1,1,,172141-57601,, "BEARING,  
SWING",1,1,,,,,R,,72168168,\*1992.12,72168168,\*1992.12,,,,,I  
31,2,,172141-57610,, "SEAL KIT",1,1,,,,,  
32,3,,172141-57620,, "SEAL, UPPER",1,1,,,,,  
33,3,,172141-57630,, "SEAL,LOWER",1,1,,,,,  
34,1,,172141-57650,, "BOLT M12X 55 PLATED",38,38,,,,,  
34-1,1,,172161-57650,, "BOLT M12X55",38,38,,,,,R,,72174AMA-1,M910001,72174AMA-  
1,M910001,,,,,  
35,1,,172122-50852,, "GUARD(L), SPROCKET",1,1,,,,,  
35-1,1,,172161-50850,, "GUARD L,SPROCKET",1,1,,,,,R,,72174AMA-1,M910001,72174AMA-  
1,M910001,,,,,  
36,1,,172122-50862,, "GUARD(R), SPROCKET",1,1,,,,,  
36-1,1,,172161-50860,, "GUARD R,SPROCKET",1,1,,,,,R,,72174AMA-1,M910001,72174AMA-  
1,M910001,,,,,  
37,1,,26013-120252,, "BOLT M12X 25",6,6,,,,,

Fig. 20 FRAME & TURNING BEARING



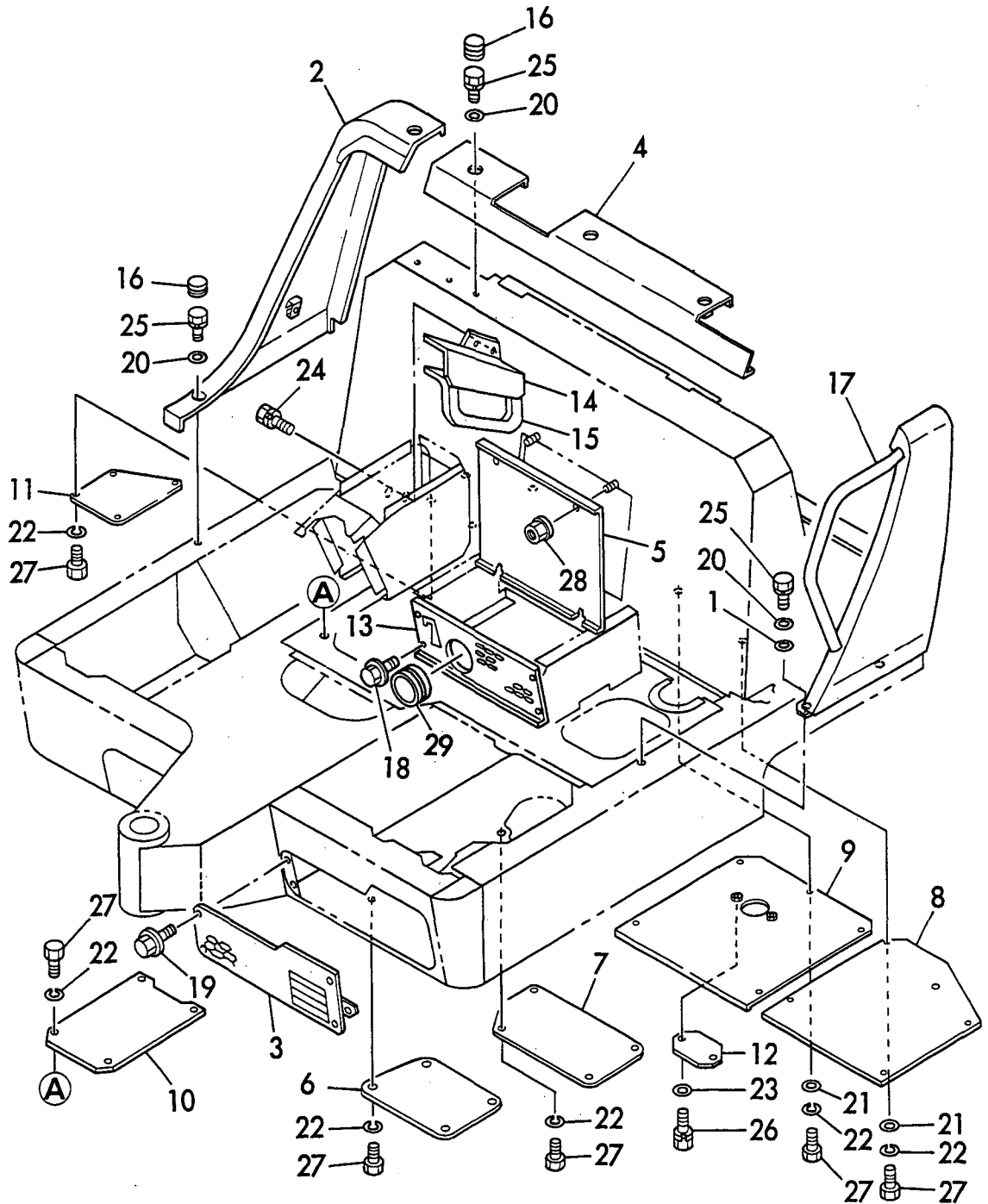
1,1,,172732-11510,,GROMMET,1,,,,,,,,,,,,,  
2,1,,172165-61190,,COVER(R),1,,,,,,,,,,,,,  
2-1,1,,172174-61100,,COVER(R),1,,,,,,R,,72174AMA-1,M910001,,,,,,,,,,,,,  
3,1,,172171-61300,,COVER(A),1,,,,,,,,,,,,,  
3-1,1,,172174-61300,,COVER(A),1,,,,,,R,,72174AMA-1,M910001,,,,,,,,,,,,,  
4,1,,172168-61350,,COVER,1,,,,,,,,,,,,,  
4-1,1,,172174-61150,,COVER,1,,,,,,R,,72174AMA-1,M910001,,,,,,,,,,,,,  
5,1,,172165-61450,,COVER,1,,,,,,,,,,,,,  
5-1,1,,172174-61450,,COVER,1,,,,,,R,,72174AMA-1,M910001,,,,,,,,,,,,,  
6,1,,172168-61500,,PLATE;A,1,,,,,,,,,,,,,  
6-1,1,,172174-61480,,PLATE;A,1,,,,,,R,,72174AMA-1,M910001,,,,,,,,,,,,,  
7,1,,172168-61510,,,"PLATE (B",1,,,,,,,,,,,,,  
7-1,1,,172174-61490,,,"PLATE (B)",1,,,,,,R,,72174AMA-1,M910001,,,,,,,,,,,,,  
8,1,,172171-61520,,,"PLATE,C",1,,,,,,,,,,,,,  
8-1,1,,172174-61520,,,"PLATE,C",1,,,,,,R,,72174AMA-1,M910001,,,,,,,,,,,,,  
9,1,,172171-61530,,,"PLATE D COMPL.",1,,,,,,,,,,,,,  
9-1,1,,172174-61530,,,"PLATE D COMPL.",1,,,,,,R,,72174AMA-1,M910001,,,,,,,,,,,,,  
10,1,,172168-61550,,,"PLATE F",1,,,,,,,,,,,,,  
10-1,1,,172174-61500,,,"PLATE F",1,,,,,,R,,72174AMA-1,M910001,,,,,,,,,,,,,  
11,1,,172171-61550,,,"PLATE E",1,,,,,,,,,,,,,  
11-1,1,,172174-61550,,,"PLATE E",1,,,,,,R,,72174AMA-1,M910001,,,,,,,,,,,,,  
11-2,1,,172174-61551,,,"PLATE E",1,,,,,,S,,72174015,\*1993.03,,,,,,,,,,,,,I  
12,1,,172168-61560,,,"PLATE G",1,,,,,,,,,,,,,  
12-1,1,,172174-61560,,,"PLATE G",1,,,,,,R,,72174AMA-1,M910001,,,,,,,,,,,,,  
13,1,,172165-61650,,,"COVER, FRONT",1,,,,,,,,,,,,,  
13-1,1,,172174-61650,,,"COVER,FRONT",1,,,,,,R,,72174AMA-1,M910001,,,,,,,,,,,,,  
14,1,,172165-61700,,,"COVER ASSY, BL LINK",1,,,,,,,,,,,,,  
14-1,1,,172174-61700,,,"COVER COMP.,BL LINK",1,,,,,,R,,72174AMA-  
1,M910001,,,,,,,,,,,,,  
15,1,,172165-61720,,RUBBER,1,,,,,,,,,,,,,  
15-1,1,,172174-61720,,RUBBER,1,,,,,,R,,72174AMA-1,M910001,,,,,,,,,,,,,  
16,1,,172165-61740,,COVER,1,,,,,,,,,,,,,  
16-1,1,,172174-61740,,,"COVER M COMPL.",1,,,,,,R,,72174AMA-1,M910001,,,,,,,,,,,,,  
17,1,,172165-61780,,,"BRACKET ASSY",1,,,,,,,,,,,,,  
17-1,1,,172174-61780,,,"BRACKET COMPL.",1,,,,,,R,,72174AMA-1,M910001,,,,,,,,,,,,,  
18,1,,172165-61801,,PLUG,5,,,,,,,,,,,,,  
19,1,,172519-63240,,,"BOLT 8X 16",4,,,,,,,,,,,,,  
19-1,1,,172174-44850,,,"BOLT 8X 16",4,,,,,,R,,72174AMA-1,M910001,,,,,,,,,,,,,  
20,1,,172519-63240,,,"BOLT 8X 16",4,,,,,,,,,,,,,  
20-1,1,,172174-44850,,,"BOLT 8X 16",4,,,,,,R,,72174AMA-1,M910001,,,,,,,,,,,,,  
21,1,,172519-63240,,,"BOLT 8X 16",1,,,,,,,,,,,,,  
21-1,1,,172174-44850,,,"BOLT 8X 16",1,,,,,,R,,72174AMA-1,M910001,,,,,,,,,,,,,  
22,1,,22137-100000,,,"WASHER 10,POLISHED",5,,,,,,,,,,,,,  
23,1,,22137-100000,,,"WASHER 10,POLISHED",9,,,,,,,,,,,,,  
24,1,,22217-100000,,,"SPRING WASHER 10",25,,,,,,,,,,,,,  
25,1,,22217-100000,,,"SPRING WASHER 10",2,,,,,,,,,,,,,  
26,1,,22217-140000,,,"SPRING WASHER 14",2,,,,,,,,,,,,,  
27,1,,26013-080162,,,"BOLT W/WASHER M8X16",2,,,,,,,,,,,,,  
28,1,,26013-100352,,,"BOLT M10X 35",5,,,,,,,,,,,,,  
29,1,,26116-100162,,,"BOLT M10X 16 PLATED",2,,,,,,,,,,,,,  
30,1,,26116-100202,,,"BOLT M10X 20 PLATED",25,,,,,,,,,,,,,  
31,1,,26116-140352,,,"BOLT M14X 35 PLATED",2,,,,,,,,,,,,,  
32,1,,26367-100002,,,"U-NUT M10",4,,,,,,,,,,,,,

Fig. 21 FRAME COVER (CABIN)



1,1,,194145-04810,, "WASHER 10",,3,,,,,,,,,,,,,,,,,,,,,,,,,  
1-1,1,,172159-65930,, "WASHER 10",,3,,,,,R,,,,,72174AMA-1,M910001,,,,,,,,,  
2,1,,172165-61190,, COVER(R),,1,,,,,,,,,,,,,,,,,,,,,,,,,  
2-1,1,,172174-61100,, COVER(R),,1,,,,,R,,,,,72174AMA-1,M910001,,,,,,,,,  
3,1,,172168-61350,, COVER,,1,,,,,,,,,,,,,,,,,,,,,,,,,  
3-1,1,,172174-61150,, COVER,,1,,,,,R,,,,,72174AMA-1,M910001,,,,,,,,,  
4,1,,172171-61400,, COVER(B),,1,,,,,,,,,,,,,,,,,,,,,,,,,  
4-1,1,,172174-61400,, "COVER B COMPL.",,1,,,,,R,,,,,72174AMA-1,M910001,,,,,,,,,  
5,1,,172165-61450,, COVER,,1,,,,,,,,,,,,,,,,,,,,,,,,,  
5-1,1,,172174-61450,, COVER,,1,,,,,R,,,,,72174AMA-1,M910001,,,,,,,,,  
6,1,,172168-61500,, PLATE;A,,1,,,,,,,,,,,,,,,,,,,,,,,,,  
6-1,1,,172174-61480,, PLATE;A,,1,,,,,R,,,,,72174AMA-1,M910001,,,,,,,,,  
7,1,,172168-61510,, "PLATE (B",,1,,,,,,,,,,,,,,,,,,,,,,,,,  
7-1,1,,172174-61490,, "PLATE (B)",,1,,,,,R,,,,,72174AMA-1,M910001,,,,,,,,,  
8,1,,172171-61520,, "PLATE,C",,1,,,,,,,,,,,,,,,,,,,,,,,,,  
8-1,1,,172174-61520,, "PLATE,C",,1,,,,,R,,,,,72174AMA-1,M910001,,,,,,,,,  
9,1,,172171-61530,, "PLATE D COMPL.",,1,,,,,,,,,,,,,,,,,,,,,,,,,  
9-1,1,,172174-61530,, "PLATE D COMPL.",,1,,,,,R,,,,,72174AMA-1,M910001,,,,,,,,,  
10,1,,172168-61550,, "PLATE F",,1,,,,,,,,,,,,,,,,,,,,,,,,,  
10-1,1,,172174-61500,, "PLATE F",,1,,,,,R,,,,,72174AMA-1,M910001,,,,,,,,,  
11,1,,172171-61550,, "PLATE E",,1,,,,,,,,,,,,,,,,,,,,,,,,,  
11-1,1,,172174-61550,, "PLATE E",,1,,,,,R,,,,,72174AMA-1,M910001,,,,,,,,,  
11-2,1,,172174-61551,, "PLATE E",,1,,,,,S,,,,,72174015,\*1993.03,,,,,,,,,I  
12,1,,172168-61560,, "PLATE G",,1,,,,,,,,,,,,,,,,,,,,,,,,,  
12-1,1,,172174-61560,, "PLATE G",,1,,,,,R,,,,,72174AMA-1,M910001,,,,,,,,,  
13,1,,172165-61650,, "COVER, FRONT",,1,,,,,,,,,,,,,,,,,,,,,,,,,  
13-1,1,,172174-61650,, "COVER,FRONT",,1,,,,,R,,,,,72174AMA-1,M910001,,,,,,,,,  
14,1,,172165-61700,, "COVER ASSY, BL LINK",,1,,,,,,,,,,,,,,,,,,,,,,,,,  
14-1,1,,172174-61700,, "COVER COMP.,BL LINK",,1,,,,,R,,,,,72174AMA-  
1,M910001,,,,,,,,,  
15,1,,172165-61720,, RUBBER,,1,,,,,,,,,,,,,,,,,,,,,,,,,  
15-1,1,,172174-61720,, RUBBER,,1,,,,,R,,,,,72174AMA-1,M910001,,,,,,,,,  
16,1,,172165-61801,, PLUG,,6,,,,,,,,,,,,,,,,,,,,,,,,,  
17,1,,172165-61820,, "COVER L COMP.,SI",,1,,,,,,,,,,,,,,,,,,,,,,,,,  
17-1,1,,172174-61820,, "COVER L COMP.,SI",,1,,,,,R,,,,,72174AMA-1,M910001,,,,,,,,,  
18,1,,172519-63240,, "BOLT 8X 16",,4,,,,,,,,,,,,,,,,,,,,,,,,,  
18-1,1,,172174-44850,, "BOLT 8X 16",,4,,,,,R,,,,,72174AMA-1,M910001,,,,,,,,,  
19,1,,172519-63240,, "BOLT 8X 16",,4,,,,,,,,,,,,,,,,,,,,,,,,,  
19-1,1,,172174-44850,, "BOLT 8X 16",,4,,,,,R,,,,,72174AMA-1,M910001,,,,,,,,,  
20,1,,22137-100000,, "WASHER 10,POLISHED",,9,,,,,,,,,,,,,,,,,,,,,,,,,  
21,1,,22137-100000,, "WASHER 10,POLISHED",,9,,,,,,,,,,,,,,,,,,,,,,,,,  
22,1,,22217-100000,, "SPRING WASHER 10",,25,,,,,,,,,,,,,,,,,,,,,,,,,  
23,1,,22217-100000,, "SPRING WASHER 10",,2,,,,,,,,,,,,,,,,,,,,,,,,,  
24,1,,26013-080162,, "BOLT W/WASHER M8X16",,2,,,,,,,,,,,,,,,,,,,,,,,,,  
25,1,,26013-100352,, "BOLT M10X 35",,9,,,,,,,,,,,,,,,,,,,,,,,,,  
26,1,,26116-100162,, "BOLT M10X 16 PLATED",,2,,,,,,,,,,,,,,,,,,,,,,,,,  
27,1,,26116-100202,, "BOLT M10X 20 PLATED",,25,,,,,,,,,,,,,,,,,,,,,,,,,  
28,1,,26367-100002,, "U-NUT M10",,4,,,,,,,,,,,,,,,,,,,,,,,,,  
29,1,,172732-11510,, GROMMET,,1,,,,,,,,,,,,,,,,,,,,,,,,,

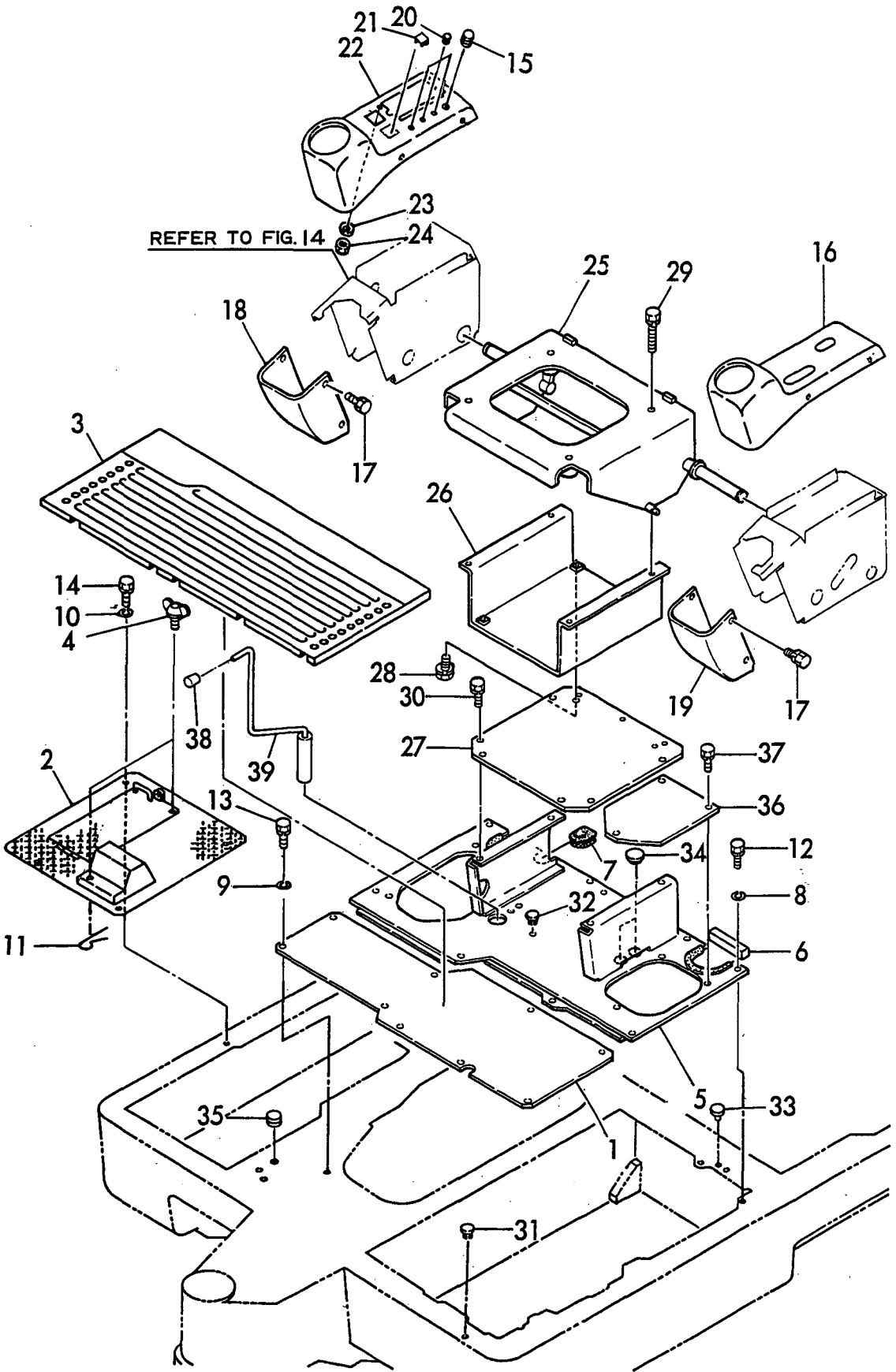
Fig. 22 FRAME COVER (CANOPY)





1,1,,172165-62100,,STEP,1,1,,,,,,,,,,,,,  
1-1,1,,172174-62170,,STEP,1,1,,,,,R,,72174AMA-1,M910001,72174AMA-  
1,M910001,,,,,,,,,  
2,1,,172171-62150,,,"STEP ASSY",1,1,,,,,,,,,,,,,  
2-1,1,,172174-62150,,,"STEP ASSY",1,1,,,,,R,,72174AMA-1,M910001,72174AMA-  
1,M910001,,,,,,,,,  
3,1,,172168-62200,,,"MAT, FLOOR",1,1,,,,,,,,,,,,,  
4,1,,172142-62300,,,"WING BOLT M10X15",2,2,,,,,,,,,,,,,  
4-1,1,,172174-62450,,,"WING BOLT M10X15",2,2,,,,,R,,72174AMA-1,M910001,72174AMA-  
1,M910001,,,,,,,,,  
5,1,,172165-62600,,,"STEP C COMP.,SI",1,1,,,,,,,,,,,,,  
5-1,1,,172174-62290,,,"STEP C COMP.,SI",1,1,,,,,R,,72174AMA-1,M910001,72174AMA-  
1,M910001,,,,,,,,,  
6,1,,172165-62630,,,"RUBBER 90,EDGE",2,2,,,,,,,,,,,,,  
6-1,1,,172174-62440,,,"RUBBER 90,EDGE",2,2,,,,,R,,72174AMA-1,M910001,72174AMA-  
1,M910001,,,,,,,,,  
7,1,,172165-62800,,,"GROMMET 26",1,1,,,,,,,,,,,,,  
8,1,,22217-100000,,,"SPRING WASHER 10",7,7,,,,,,,,,,,,,  
9,1,,22217-100000,,,"SPRING WASHER 10",9,9,,,,,,,,,,,,,  
10,1,,22217-100000,,,"SPRING WASHER 10",4,4,,,,,,,,,,,,,  
11,1,,22417-320200,,,"COTTER PIN 3.2X20",2,2,,,,,,,,,,,,,  
12,1,,26116-100202,,,"BOLT M10X 20 PLATED",7,7,,,,,,,,,,,,,  
13,1,,26116-100202,,,"BOLT M10X 20 PLATED",9,9,,,,,,,,,,,,,  
14,1,,26116-100202,,,"BOLT M10X 20 PLATED",4,4,,,,,,,,,,,,,  
15,1,,194300-21460,,CAP,1,1,,,,,,,,,,,,,  
16,1,,172168-63100,,,"PANEL(L),INST(EP",1,1,,,,,,,,,,,,,  
17,1,,172519-63240,,,"BOLT 8X 16",16,16,,,,,,,,,,,,,  
17-1,1,,172174-44850,,,"BOLT 8X 16",16,16,,,,,R,,72174AMA-1,M910001,72174AMA-  
1,M910001,,,,,,,,,  
18,1,,172165-63600,,,"COVER (R)",1,1,,,,,,,,,,,,,  
19,1,,172165-63620,,,"COVER (L)",1,1,,,,,,,,,,,,,  
20,1,,172165-63650,,,"PLUG 10,HOLE",3,3,,,,,,,,,,,,,  
21,1,,172165-63660,,CAP,1,1,,,,,,,,,,,,,  
22,1,,172165-63700,,,"PANEL(R),INST(EP",1,1,,,,,,,,,,,,,  
23,1,,22137-040000,,,"WASHER 4, POLISHED",4,4,,,,,,,,,,,,,  
24,1,,26716-040002,,,"NUT M 4",4,4,,,,,,,,,,,,,  
25,1,,172165-64300,,MOUNT,1,1,,,,,,,,,,,,,  
25-1,1,,172174-64300,,,"MOUNT A",1,1,,,,,R,,72174AMA-1,M910001,72174AMA-  
1,M910001,,,,,,,,,  
26,1,,172165-64360,,,"MOUNT B COMP.,EP",1,1,,,,,,,,,,,,,  
26-1,1,,172174-64360,,,"MOUNT B",1,1,,,,,R,,72174AMA-1,M910001,72174AMA-  
1,M910001,,,,,,,,,  
27,1,,172165-64390,,MOUNT,1,1,,,,,,,,,,,,,  
27-1,1,,172174-64390,,,"MOUNT C",1,1,,,,,R,,72174AMA-1,M910001,72174AMA-  
1,M910001,,,,,,,,,  
28,1,,26013-080202,,,"BOLT W/WASHER M8X20",4,4,,,,,,,,,,,,,  
29,1,,26013-080552,,,"BOLT M 8X 55",4,4,,,,,,,,,,,,,  
30,1,,26013-100202,,,"BOLT W/WASHER M10X20",4,4,,,,,,,,,,,,,  
31,1,,172122-17190,,CLIP,,5,,,,,,,,,,,,,  
32,1,,172122-17190,,CLIP,,4,,,,,,,,,,,,,  
33,1,,172157-54850,,,"GROMMET 18",,1,,,,,,,,,,,,,  
34,1,,172151-62240,,GROMMET,,2,,,,,,,,,,,,,  
35,1,,172165-68250,,,"PLUG,RUBBER",,1,,,,,,,,,,,,,  
36,1,,172165-62300,,,"STEP D",1,1,,,,,,,,,,,,,  
36-1,1,,172174-62300,,,"STEP D",1,1,,,,,R,,72174AMA-1,M910001,72174AMA-  
1,M910001,,,,,,,,,  
37,1,,26013-100202,,,"BOLT W/WASHER M10X20",3,3,,,,,,,,,,,,,  
38,1,,172116-46630,,,"KNOB, LOCK LEVER",1,1,,,,,,,,,,,,,  
39,1,,172171-58800,,,"PIN, LOCK",1,1,,,,,,,,,,,,,  
39-1,1,,172174-58800,,,"PIN, LOCK",1,1,,,,,R,,72174AMA-1,M910001,72174AMA-  
1,M910001,,,,,,,,,

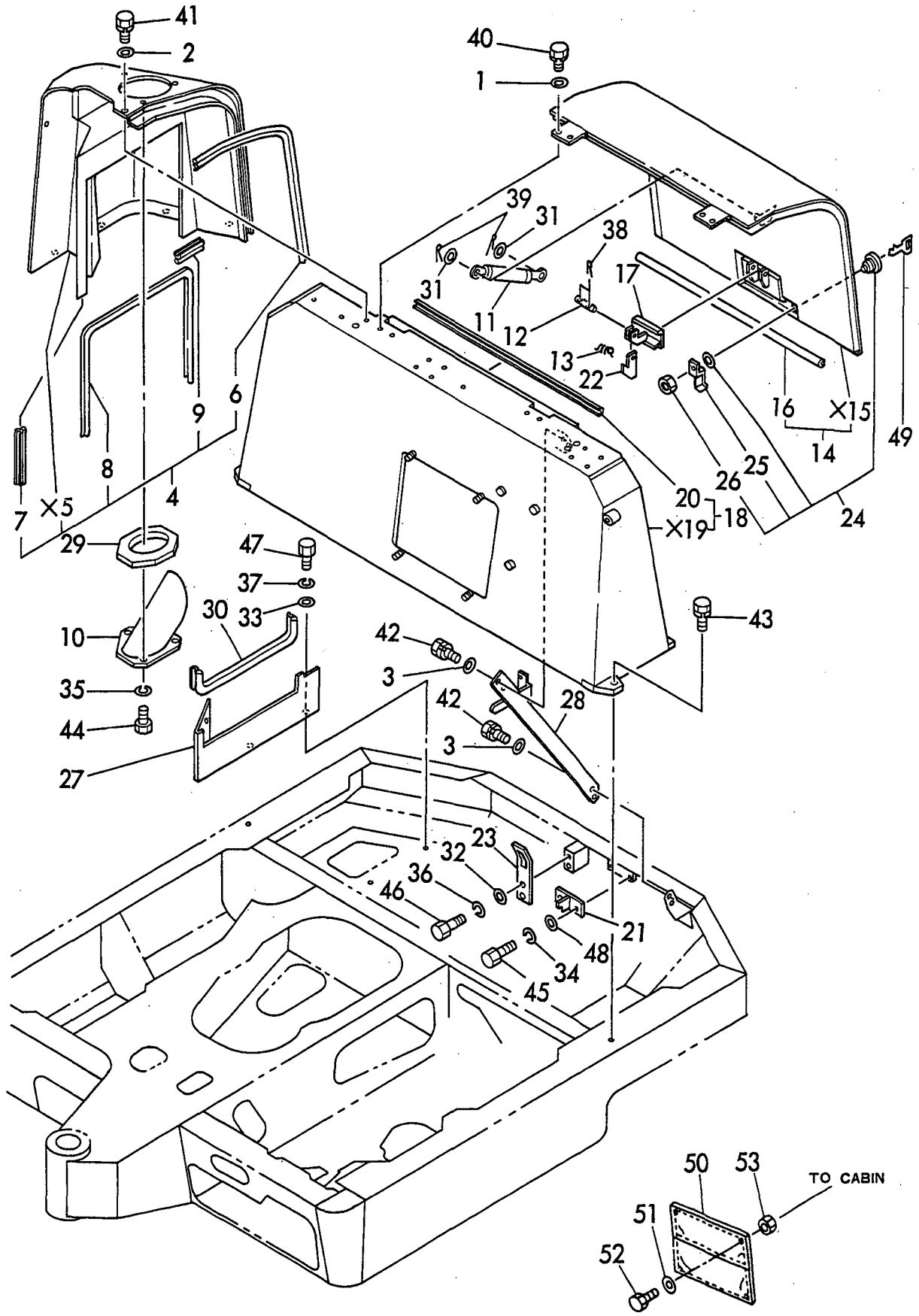
Fig. 23 SEAT MOUNT & STEP



1,1,,194145-04810,, "WASHER 10",4,4,,,,,,,,,,,,,,,,,,,,,  
1-1,1,,172159-65930,, "WASHER 10",4,4,,,,,R,,72174AMA-1,M910001,72174AMA-  
1,M910001,,,,,,,,,,,,,  
2,1,,194145-04810,, "WASHER 10",6,6,,,,,,,,,,,,,,,,,,,,,  
2-1,1,,172159-65930,, "WASHER 10",6,6,,,,,R,,72174AMA-1,M910001,72174AMA-  
1,M910001,,,,,,,,,,,,,  
3,1,,194145-04810,, "WASHER 10",4,4,,,,,,,,,,,,,,,,,,,,,  
3-1,1,,172159-65930,, "WASHER 10",4,4,,,,,R,,72174AMA-1,M910001,72174AMA-  
1,M910001,,,,,,,,,,,,,  
4,1,,172171-65100,, "BONNET CR CMP(EV",1,1,,,,,,,,,,,,,,,,,,,,,  
4-1,1,,172174-65100,, BONNET,1,1,,,,,R,,72174AMA-1,M910001,72174AMA-  
1,M910001,,,,,,,,,,,,,  
6,2,,172171-65780,, "RUBBER,SEAL C",1,1,,,,,,,,,,,,,,,,,,,,,  
7,2,,172168-65790,, RUBBER,1,1,,,,,,,,,,,,,,,,,,,,,  
7-1,2,,172174-65760,, "RUBBER,SEAL D",1,1,,,,,R,,72174AMA-1,M910001,72174AMA-  
1,M910001,,,,,,,,,,,,,  
8,2,,172171-65820,, "RUBBER,SEAL D",1,1,,,,,,,,,,,,,,,,,,,,,  
9,2,,172171-65850,, "RUBBER,SEAL K",1,1,,,,,,,,,,,,,,,,,,,,,  
9-1,2,,172174-65850,, "RUBBER,SEAL K",1,1,,,,,R,,72174AMA-1,M910001,72174AMA-  
1,M910001,,,,,,,,,,,,,  
10,1,,172168-65200,, "PIPE, EXH.EXTENSION",1,1,,,,,,,,,,,,,,,,,,,,,  
10-1,1,,172174-65350,, "PIPE, EXH.EXTENSION",1,1,,,,,R,,72174AMA-  
1,M910001,72174AMA-1,M910001,,,,,,,,,,,,,  
11,1,,172168-65260,, "SPRING,GAS",1,1,,,,,,,,,,,,,,,,,,,,,  
12,1,,172734-65260,, "PIN, BONNET LEVER",1,1,,,,,,,,,,,,,,,,,,,,,  
12-1,1,,172159-65940,, "PIN, BONNET LEVER",1,1,,,,,R,,72174AMA-  
1,M910001,72174AMA-1,M910001,,,,,,,,,,,,,  
13,1,,172734-65270,, "SPRING, CATCH",1,1,,,,,,,,,,,,,,,,,,,,,  
13-1,1,,172159-65960,, "SPRING CATCH",1,1,,,,,R,,72174AMA-1,M910001,72174AMA-  
1,M910001,,,,,,,,,,,,,  
14,1,,172171-65300,, "BONNET B CMP(EV",1,1,,,,,,,,,,,,,,,,,,,,,  
14-1,1,,172174-65300,, BONNET,1,1,,,,,R,,72174AMA-1,M910001,72174AMA-  
1,M910001,,,,,,,,,,,,,  
16,2,,172168-65760,, RUBBER,1,1,,,,,,,,,,,,,,,,,,,,,  
17,1,,172124-65450,, "LEVER, LOCK",1,1,,,,,,,,,,,,,,,,,,,,,  
17-1,1,,172159-65050,, "LEVER, LOCK",1,1,,,,,R,,72174AMA-1,M910001,72174AMA-  
1,M910001,,,,,,,,,,,,,  
18,1,,172171-65450,, "BONNET A CMP(EV",1,1,,,,,,,,,,,,,,,,,,,,,  
18-1,1,,172174-65450,, "BONNET A CMP(EV",1,1,,,,,R,,72174AMA-1,M910001,72174AMA-  
1,M910001,,,,,,,,,,,,,  
20,2,,172168-65750,, RUBBER,1,1,,,,,,,,,,,,,,,,,,,,,  
21,1,,172126-65460,, HOOK,1,1,,,,,,,,,,,,,,,,,,,,,  
21-1,1,,172161-65070,, "HOOK COMP. KEY",1,1,,,,,R,,72174AMA-1,M910001,72174AMA-  
1,M910001,,,,,,,,,,,,,  
22,1,,172124-65480,, CATCHER,1,1,,,,,,,,,,,,,,,,,,,,,  
22-1,1,,172159-65950,, CATCHER,1,1,,,,,R,,72174AMA-1,M910001,72174AMA-  
1,M910001,,,,,,,,,,,,,  
23,1,,172124-65490,, "PLATE,CATCH",1,1,,,,,,,,,,,,,,,,,,,,,  
23-1,1,,172159-65690,, "PLATE,CATCH",1,1,,,,,R,,72174AMA-1,M910001,72174AMA-  
1,M910001,,,,,,,,,,,,,  
24,1,,172126-65500,, KEY,1,1,,,,,,,,,,,,,,,,,,,,,  
25,2,,172126-65571,, "WASHER LOCK",1,1,,,,,,,,,,,,,,,,,,,,,  
26,2,,26347-100002,, "U-NUT M10",1,1,,,,,,,,,,,,,,,,,,,,,  
27,1,,172171-65600,, "DUCT ASSY",1,1,,,,,,,,,,,,,,,,,,,,,  
27-1,1,,172174-65600,, "DUCT ASSY",1,1,,,,,R,,72174AMA-1,M910001,72174AMA-  
1,M910001,,,,,,,,,,,,,  
27-2,1,,172174-65601,, "DUCT  
ASSY",1,1,,,,,N,,72174015,\*1993.03,72174015,\*1993.03,,,,,,,,,I  
28,1,,172171-65650,, "BRACKET COMPL.",1,1,,,,,,,,,,,,,,,,,,,,,  
28-1,1,,172174-65650,, "BRACKET COMPL.",1,1,,,,,R,,72174AMA-1,M910001,72174AMA-  
1,M910001,,,,,,,,,,,,,  
29,1,,172168-65740,, SEAL,1,1,,,,,,,,,,,,,,,,,,,,,

29-1,1,,172174-65740,, "SEAL,DUCT",1,1,,,,,R,,72174AMA-1,M910001,72174AMA-  
 1,M910001,,,,,  
 30,1,,172171-65830,, "RUBBER,SEAL E",1,1,,,,,  
 31,1,,22137-080000,, "WASHER 8, POLISHED",2,2,,,,,  
 32,1,,22137-100000,, "WASHER 10,POLISHED",2,2,,,,,  
 33,1,,22137-100000,, "WASHER 10,POLISHED",3,3,,,,,  
 34,1,,22217-080000,, "SPRING WASHER 8",2,2,,,,,  
 35,1,,22217-080000,, "SPRING WASHER 8",3,3,,,,,  
 36,1,,22217-100000,, "SPRING WASHER 10",2,2,,,,,  
 37,1,,22217-100000,, "SPRING WASHER 10",3,3,,,,,  
 38,1,,22417-200200,, "COTTER PIN 2.0X20",2,2,,,,,  
 39,1,,22417-200200,, "COTTER PIN 2.0X20",2,2,,,,,  
 40,1,,26013-100252,, "BOLT W/WASHER M10X25",4,4,,,,,  
 41,1,,26013-100252,, "BOLT W/WASHER M10X25",6,6,,,,,  
 42,1,,26013-100252,, "BOLT W/WASHER M10X25",4,4,,,,,  
 43,1,,26013-120352,, "BOLT M12X 35",5,5,,,,,  
 44,1,,26116-080162,, "BOLT M 8X 16 PLATED",3,3,,,,,  
 45,1,,26116-080202,, "BOLT M 8X 20 PLATED",2,2,,,,,  
 46,1,,26116-100202,, "BOLT M10X 20 PLATED",2,2,,,,,  
 47,1,,26116-100202,, "BOLT M10X 20 PLATED",3,3,,,,,  
 48,1,,22157-080000,, "WASHER 8",2,2,,,,,  
 49,1,,933110-00301,, "KEY ASSY",1,1,,,,,  
 50,1,,172119-68600,,BUCK,1,1,,,,,  
 51,1,,22117-080000,, "WASHER 8",2,2,,,,,  
 52,1,,26116-080202,, "BOLT M 8X 20 PLATED",2,2,,,,,  
 53,1,,26716-080002,, "NUT M 8",2,2,,,,,

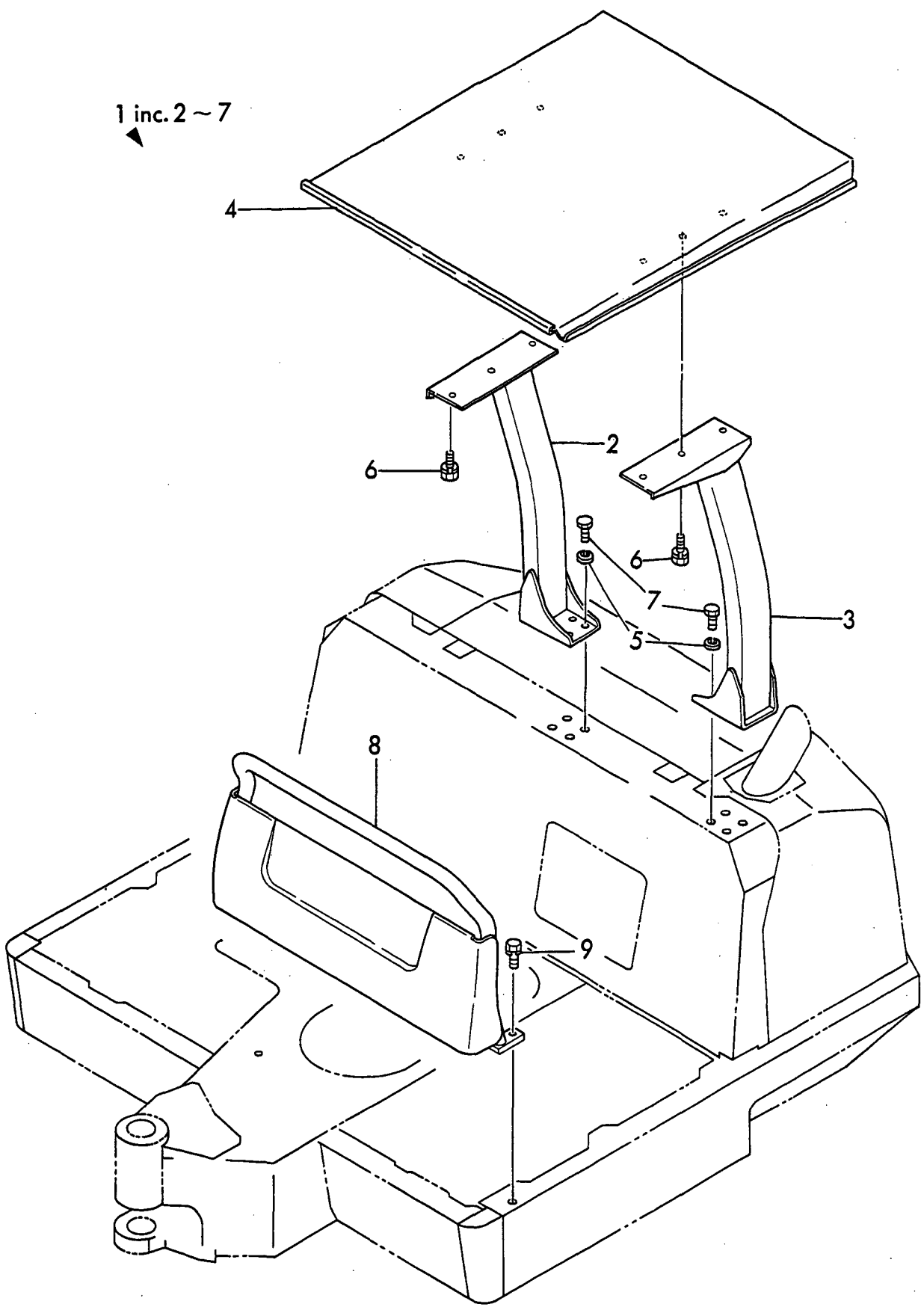
Fig. 24 BONNET



× MARK PARTS: NOT SOLD SEPARATELY.

1,1,,772168-68110,, "CANOPY ASSY",,1,,,,,,,,,,,,,  
1-1,1,,772174-68100,, "CANOPY ASSY",,1,,,,,R,,,,,72174AMA-1,M910001,,,,,,  
2,2,,172168-68200,, "COLUMN R COMPL.",,1,,,,,,,,,,,,,  
2-1,2,,172174-68201,, "COLUMN R COMPL.",,1,,,,,R,,,,,72174AMA-1,M910001,,,,,,  
3,2,,172168-68250,, "COLUMN L COMPL.",,1,,,,,,,,,,,,,  
3-1,2,,172174-68251,, "COLUMN L COMPL.",,1,,,,,R,,,,,72174AMA-1,M910001,,,,,,  
4,2,,172168-68100,, "ROOF COMP.,CANOPY",,1,,,,,,,,,,,,,  
4-1,2,,172174-68100,, "ROOF COMP.,CANOPY",,1,,,,,R,,,,,72174AMA-1,M910001,,,,,,  
5,2,,22217-140000,, "SPRING WASHER 14",,8,,,,,,,,,,,,,  
6,2,,26013-120352,, "BOLT M12X 35",,6,,,,,,,,,,,,,  
7,2,,26116-140352,, "BOLT M14X 35 PLATED",,8,,,,,,,,,,,,,  
8,1,,172165-68200,, "CANOPY F CMP",,1,,,,,,,,,,,,,  
8-1,1,,172174-68300,, "CANOPY F COMPL.",,1,,,,,R,,,,,72174AMA-1,M910001,,,,,,  
9,1,,26013-120352,, "BOLT M12X 35",,2,,,,,,,,,,,,,

Fig. 25 CANOPY

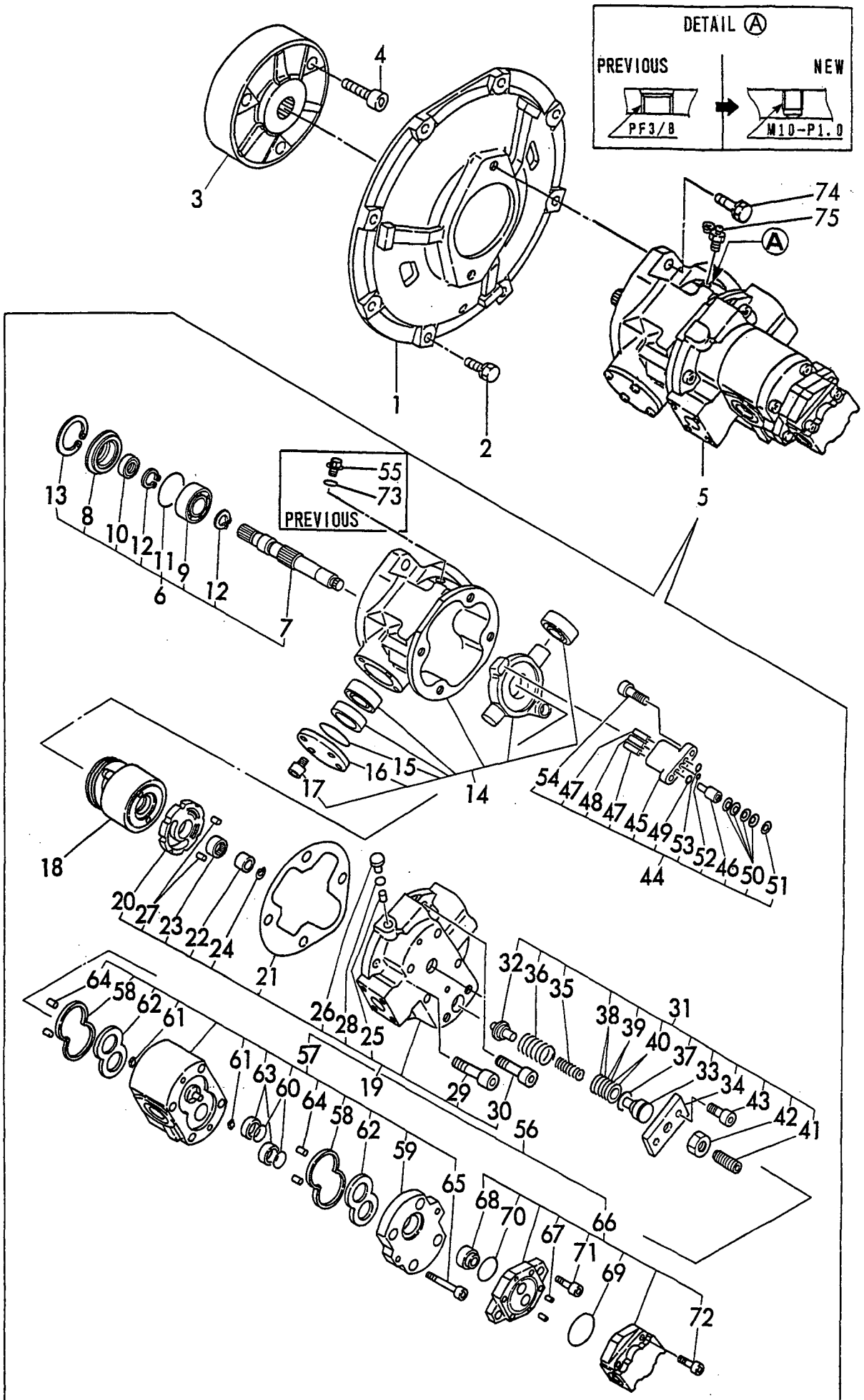


1,1,,172168-71100,,COVER,1,1,,,,,,,,,,,,,  
1-1,1,,172174-71100,,,"COVER,FLYWHEEL",1,1,,,,,R,,72174AMA-1,M910001,72174AMA-  
1,M910001,,,,,,,,,  
2,1,,26013-100302,,,"BOLT M10X 30",8,8,,,,,,,,,,,,,  
3,1,,172165-71200,,COUPLING,1,1,,,,,,,,,,,,,  
4,1,,26450-120402,,,"BOLT M12X 40",3,3,,,,,,,,,,,,,  
5,1,,172171-73110,,,"PUMP ASSY",1,1,,,,,,,,,,,,,  
5-1,1,,172171-73111,,,"PUMP  
ASSY",1,1,,,,,S,,72168207,\*1993.11,72168207,\*1993.11,,,,,,,,,I  
6,2,,172168-71200,,,"SHAFT ASSY, ROCKER",1,1,,,,,,,,,,,,,  
7,3,,172168-71310,,SHAFT,1,1,,,,,,,,,,,,,  
8,3,,172168-71320,,,"SEAL CASE",1,1,,,,,,,,,,,,,  
9,3,,172168-71330,,BEARING,1,1,,,,,,,,,,,,,  
10,3,,172147-73680,,,"SEAL, OIL",1,1,,,,,,,,,,,,,  
11,3,,172162-73790,,,"O-RING 140",1,1,,,,,,,,,,,,,  
12,3,,22242-000250,,,"CIRCLIP 25S",2,2,,,,,,,,,,,,,  
13,3,,22252-000620,,,"CIRCLIP 62(H)",1,1,,,,,,,,,,,,,  
14,2,,172168-71210,,,"HANGER COMPL.",1,1,,,,,,,,,,,,,  
15,3,,172168-71340,,O-RING,1,1,,,,,,,,,,,,,  
16,3,,172168-71550,,COVER,1,1,,,,,,,,,,,,,  
17,3,,26450-060162,,,"BOLT M 6X 16",4,4,,,,,,,,,,,,,  
18,2,,172168-71220,,,"ROTORY SET",1,1,,,,,,,,,,,,,  
19,2,,172168-71230,,,"COVER ASSY,GEAR CASE",1,1,,,,,,,,,,,,,  
20,3,,172168-71350,,,"PLATE, CONTROL",1,1,,,,,,,,,,,,,  
21,3,,172168-71360,,,"GASKET, BONNET",1,1,,,,,,,,,,,,,  
22,3,,172168-71370,,CPUPRING,1,1,,,,,,,,,,,,,  
23,3,,172168-71560,,BEARING,1,1,,,,,,,,,,,,,  
24,3,,172141-73210,,CIRCLIP,1,1,,,,,,,,,,,,,  
25,3,,172165-73580,,ORIFICE,3,3,,,,,,,,,,,,,  
26,3,,172142-74650,,,"PLUG 1/8",1,1,,,,,,,,,,,,,  
27,3,,22312-060140,,,"PARALLEL PIN 6X14",2,2,,,,,,,,,,,,,  
28,3,,24315-000080,,,"O-RING 1B P-8.0",1,1,,,,,,,,,,,,,  
29,3,,26450-100302,,,"BOLT M10X 30",4,4,,,,,,,,,,,,,  
30,3,,26450-100502,,,"BOLT 10X 50",1,1,,,,,,,,,,,,,  
31,2,,172168-71240,,,"SPRING,CONTROL",1,1,,,,,,,,,,,,,  
32,3,,172168-71380,,RETAINER,1,1,,,,,,,,,,,,,  
33,3,,172168-71390,,RETAINER,1,1,,,,,,,,,,,,,  
34,3,,172168-71400,,COVER,1,1,,,,,,,,,,,,,  
35,3,,172168-71410,,SPRING,1,1,,,,,,,,,,,,,  
36,3,,172168-71420,,SPRING,1,1,,,,,,,,,,,,,  
37,3,,172168-71430,,O-RING,1,1,,,,,,,,,,,,,  
38,3,,172168-71440,,SHIM,2,2,,,,,,,,,,,,,  
39,3,,172168-71450,,SHIM,2,2,,,,,,,,,,,,,  
40,3,,172168-71460,,SHIM,2,2,,,,,,,,,,,,,  
41,3,,172165-73640,,,"ADJUST SCREW",1,1,,,,,,,,,,,,,  
42,3,,172165-73670,,,"NUT M 6",1,1,,,,,,,,,,,,,  
43,3,,26450-080302,,,"BOLT M 8X 30",2,2,,,,,,,,,,,,,  
44,2,,172171-71250,,,"PISTON ASSY, CONTROL",1,1,,,,,,,,,,,,,  
45,3,,172168-71470,,CYLINDER,1,1,,,,,,,,,,,,,  
46,3,,172171-71480,,PISTON,1,1,,,,,,,,,,,,,  
47,3,,172168-71490,,,"PARALLEL PIN",2,2,,,,,,,,,,,,,  
48,3,,172168-71500,,,"PARALLEL PIN",1,1,,,,,,,,,,,,,  
49,3,,172168-71510,,O-RING,1,1,,,,,,,,,,,,,  
50,3,,172168-71520,,,"CONICAL SPRING",4,4,,,,,,,,,,,,,  
51,3,,172168-71530,,RETAINER,1,1,,,,,,,,,,,,,  
52,3,,172165-73790,,O-RING,1,1,,,,,,,,,,,,,  
53,3,,172143-74220,,O-RING,1,1,,,,,,,,,,,,,  
54,3,,26450-080252,,,"BOLT M 8X 25",2,2,,,,,,,,,,,,,  
55,2,,172168-  
71270,,PLAG,1,1,,,,,Z,,72168207,\*1993.11,72168207,\*1993.11,,,,,,,,,I  
56,2,,172171-71280,,,"PUMP ASSY, DPLX.GEAR",1,1,,,,,,,,,,,,,  
57,3,,172171-71290,,,"PUMP ASSY, GEAR",1,1,,,,,,,,,,,,,  
58,4,,172141-71520,,RING,2,2,,,,,,,,,,,,



59,4,,172168-71540,,PLATE,1,1,,,,,,,,,,,,,  
60,4,,172141-71550,,O-RING,2,2,,,,,,,,,,,,,  
61,4,,172141-71560,,RING,2,2,,,,,,,,,,,,,  
62,4,,172141-73220,,PLATE,2,2,,,,,,,,,,,,,  
63,4,,172141-73230,,GUIDE,2,2,,,,,,,,,,,,,  
64,4,,172141-73240,, "PIN, PARALLEL",4,4,,,,,,,,,,,,,  
65,4,,26450-100752,, "BOLT, SOCKET HEAD",4,4,,,,,,,,,,,,,  
66,3,,172168-71300,, "PUMP, HYD. OIL",1,1,,,,,,,,,,,,,  
67,4,,172141-73240,, "PIN, PARALLEL",2,2,,,,,,,,,,,,,  
68,4,,172165-73860,,COUPLING,1,1,,,,,,,,,,,,,  
69,4,,172165-73870,,O-RING,1,1,,,,,,,,,,,,,  
70,4,,172165-73880,,O-RING,1,1,,,,,,,,,,,,,  
71,4,,26450-080182,, "BOLT M 8X 18",2,2,,,,,,,,,,,,,  
72,4,,26450-080402,, "BOLT 8X40",4,4,,,,,,,,,,,,,  
73,2,,24311-000140,, "O-RING 1A P-  
14.0",1,1,,,,,Z,,72168207,\*1993.11,72168207,\*1993.11,,,,,,,,,,I  
74,1,,26013-120352,, "BOLT M12X 35",2,2,,,,,,,,,,,,,  
75,1,,172164-  
73110,,VALVE,1,1,,,,,W,,72168207,\*1993.11,72168207,\*1993.11,,,,,,,,,,I

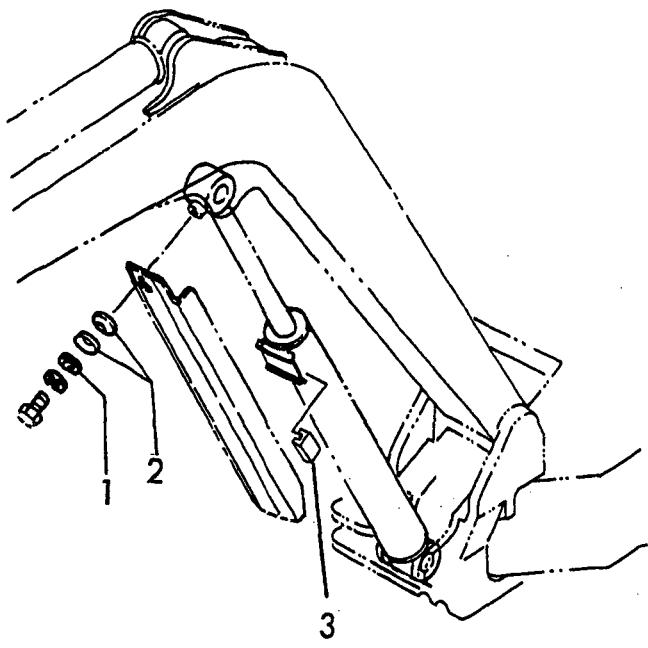
Fig. 26 HYD. OIL PUMP & JOINT



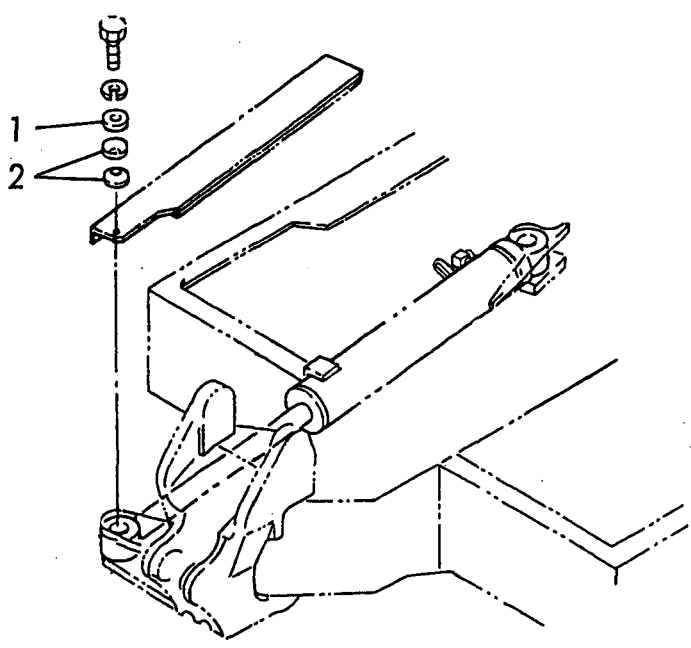
1,1,,933147-03400,, "WASHER, BRAKE ARM",2,2,,,,,,,,,,,,,  
1-1,1,,172161-72920,, WASHER,2,2,,,,,R,,72174AMA-1,M910001,72174AMA-  
1,M910001,,,,,,,,,  
2,1,,933168-14170,, "SPRING 16",4,4,,,,,,,,,,,,,  
2-1,1,,172159-72860,, SPRING,4,4,,,,,R,,72174AMA-1,M910001,72174AMA-  
1,M910001,,,,,,,,,  
3,1,,172162-61770,, "GUIDE,SLIDE",2,2,,,,,,,,,,,,,

# Fig. 27 BOOM CYLINDER & SWING CYLINDER

## BOOM CYLINDER



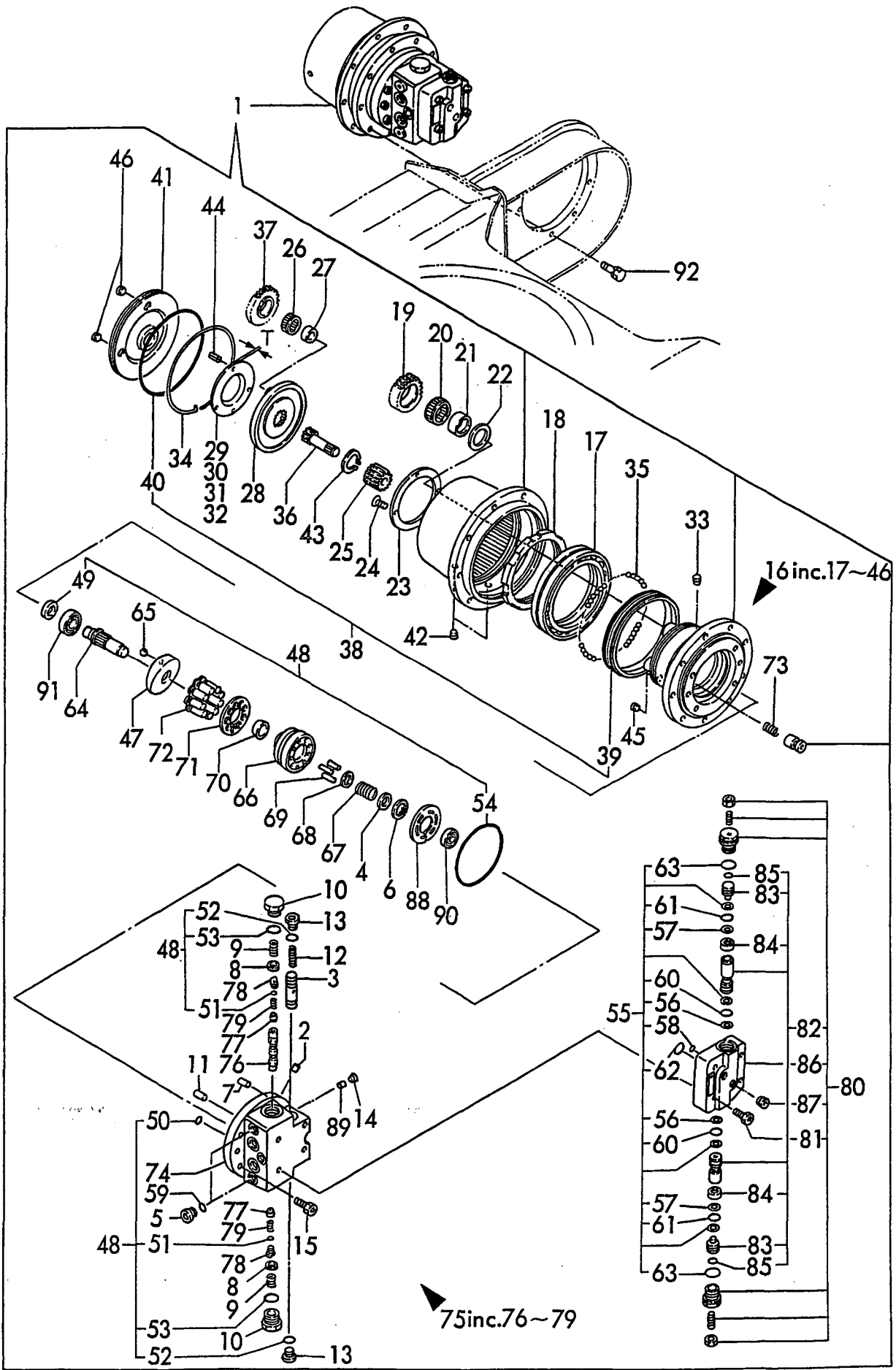
## SWING CYLINDER



1,1,,172171-73700,, "MOTOR ASSY,DRIVING",2,2,,,,,,,,,,,,,,,,,,,,,  
2,2,,172148-70240,,ORIFICE,4,4,,,,,,,,,,,,,,,,,,,,,  
3,2,,172148-70250,,SPOOL,2,2,,,,,,,,,,,,,,,,,,,,,  
4,2,,172141-70290,, "HOLDER, SPRING",2,2,,,,,,,,,,,,,,,,,,,,,  
5,2,,172148-70301,,PLUG,4,4,,,,,,,,,,,,,,,,,,,,,  
6,2,,172141-70310,, "SNAP RING",2,2,,,,,,,,,,,,,,,,,,,,,  
7,2,,172122-70410,,PIN,4,4,,,,,,,,,,,,,,,,,,,,,  
8,2,,172147-70440,, "SEAT, SPRING",4,4,,,,,,,,,,,,,,,,,,,,,  
9,2,,172147-70450,,SPRING,4,4,,,,,,,,,,,,,,,,,,,,,  
10,2,,172147-70460,,CAP,4,4,,,,,,,,,,,,,,,,,,,,,  
11,2,,172141-70480,,PIN,2,2,,,,,,,,,,,,,,,,,,,,,  
12,2,,172147-70490,,SPRING,2,2,,,,,,,,,,,,,,,,,,,,,  
13,2,,172147-70500,,PLUG,4,4,,,,,,,,,,,,,,,,,,,,,  
14,2,,172147-70510,,PLUG,6,6,,,,,,,,,,,,,,,,,,,,,  
15,2,,172122-70540,, "BOLT, SOCKET",12,12,,,,,,,,,,,,,,,,,,,,,  
16,2,,172171-70800,,REDUCTION,2,2,,,,,,,,,,,,,,,,,,,,,  
17,3,,172141-70030,, "BEARING, ANGULAR",2,2,,,,,,,,,,,,,,,,,,,,,  
18,3,,172141-70040,, "NUT, RING",2,2,,,,,,,,,,,,,,,,,,,,,  
19,3,,172141-70060,, "GEAR(B), PLANETARY",8,8,,,,,,,,,,,,,,,,,,,,,  
20,3,,172141-70070,, "CAGE & ROLLER",8,8,,,,,,,,,,,,,,,,,,,,,  
21,3,,172141-70080,,COLLAR,8,8,,,,,,,,,,,,,,,,,,,,,  
22,3,,172141-77090,,WASHER,8,8,,,,,,,,,,,,,,,,,,,,,  
23,3,,172141-70100,, "PLATE, THRUST",2,2,,,,,,,,,,,,,,,,,,,,,  
24,3,,172141-70110,,SCREW,8,8,,,,,,,,,,,,,,,,,,,,,  
25,3,,172141-70120,, "GEAR, SUN",2,2,,,,,,,,,,,,,,,,,,,,,  
26,3,,172141-70150,, "CAGE & ROLLER",6,6,,,,,,,,,,,,,,,,,,,,,  
27,3,,172141-70160,, "INNER LACE",6,6,,,,,,,,,,,,,,,,,,,,,  
28,3,,172148-70170,,HOLDER,2,2,,,,,,,,,,,,,,,,,,,,,  
29,3,,172141-70180,, "PLATE(T1.8), THRUST",2,2,,,,,,,,,1,,,,,,,,,,,,,  
30,3,,172171-70820,, "PLATE, THRUST",2,2,,,,,,,,,1,,,,,,,,,,,,,  
31,3,,172141-70190,, "PLATE(T2.3), THRUST",2,2,,,,,,,,,1,,,,,,,,,,,,,  
32,3,,172141-70200,, "PLATE(T2.8), THRUST",2,2,,,,,,,,,1,,,,,,,,,,,,,  
33,3,,172147-70220,,PLUG,4,4,,,,,,,,,,,,,,,,,,,,,  
34,3,,172141-70230,,WIRE,2,2,,,,,,,,,,,,,,,,,,,,,  
35,3,,172122-70350,,BALL,264,264,,,,,,,,,,,,,,,,,,,,,  
36,3,,172171-70810,, "GEAR, DRIVE",2,2,,,,,,,,,,,,,,,,,,,,,  
37,3,,172148-70180,, "GEAR(A), PLANETARY",6,6,,,,,,,,,,,,,,,,,,,,,  
38,3,,172168-71770,, "SEAL SET, REDUCTION",2,2,,,,,,,,,,,,,,,,,,,,,  
39,4,,172141-70020,, "SEAL, FLOATING",2,2,,,,,,,,,,,,,,,,,,,,,  
40,4,,172162-70820,,O-RING,2,2,,,,,,,,,,,,,,,,,,,,,  
41,3,,172168-71840,,COVER,2,2,,,,,,,,,,,,,,,,,,,,,  
42,3,,172122-73430,,PLUG,4,4,,,,,,,,,,,,,,,,,,,,,  
43,3,,22242-000350,, "CIRCLIP 35",2,2,,,,,,,,,,,,,,,,,,,,,  
44,3,,22351-050016,, "SPRING PIN 5X16",6,6,,,,,,,,,,,,,,,,,,,,,  
45,3,,23871-020000,, "PLUG PT1/4,SCREW",4,4,,,,,,,,,,,,,,,,,,,,,  
46,3,,23871-030000,, "PLUG PT3/8,SCREW",6,6,,,,,,,,,,,,,,,,,,,,,  
47,2,,172171-70830,,PLATE,2,2,,,,,,,,,,,,,,,,,,,,,  
48,2,,172168-71780,, "SEAL SET, MOTOR",2,2,,,,,,,,,,,,,,,,,,,,,  
49,3,,172171-70370,, "SEAL, OIL",2,2,,,,,,,,,,,,,,,,,,,,,  
50,3,,24315-000070,, "O-RING 1B P-7.0",6,6,,,,,,,,,,,,,,,,,,,,,  
51,3,,24315-000100,, "O-RING 1B P-10.0",4,4,,,,,,,,,,,,,,,,,,,,,  
52,3,,24315-000140,, "O-RING 1B P-14.0",4,4,,,,,,,,,,,,,,,,,,,,,  
53,3,,24315-000290,, "O-RING 1B P-29.0",4,4,,,,,,,,,,,,,,,,,,,,,  
54,3,,24325-001200,, "O-RING BG120.0",2,2,,,,,,,,,,,,,,,,,,,,,  
55,2,,172168-71790,, "SEAL KIT, BLOCK",2,2,,,,,,,,,,,,,,,,,,,,,  
56,3,,172147-70580,, "RING P12 T2, BACK UP",4,4,,,,,,,,,,,,,,,,,,,,,  
57,3,,172147-70600,, "RING P15,T3,BACKUP",4,4,,,,,,,,,,,,,,,,,,,,,  
58,3,,24315-000070,, "O-RING 1B P-7.0",6,6,,,,,,,,,,,,,,,,,,,,,  
59,3,,24315-000110,, "O-RING 1B P-11.0",4,4,,,,,,,,,,,,,,,,,,,,,  
60,3,,24315-000120,, "O-RING 1B P-12.0",2,2,,,,,,,,,,,,,,,,,,,,,  
61,3,,24315-000150,, "O-RING 1B P-15.0",2,2,,,,,,,,,,,,,,,,,,,,,  
62,3,,24315-000160,, "O-RING 1B P-16.0",4,4,,,,,,,,,,,,,,,,,,,,,  
63,3,,24315-000240,, "O-RING 1B P-24.0",2,2,,,,,,,,,,,,,,,,,,,,,

64,2,,172168-71850,,SHAFT,2,2,,,,,,,,,,,,,  
65,2,,172168-71870,,BALL,2,2,,,,,,,,,,,,,  
66,2,,172168-71880,, "BLOCK, CYLINDER",2,2,,,,,,,,,,,,,  
67,2,,172168-71890,,SPRING,2,2,,,,,,,,,,,,,  
68,2,,172168-71900,, "SEAT,SPRING",2,2,,,,,,,,,,,,,  
69,2,,172168-71910,,PIN,6,6,,,,,,,,,,,,,  
70,2,,172168-71920,, "HOLDER,RETAINER",2,2,,,,,,,,,,,,,  
71,2,,172168-71930,, "PLATE, RETAINER",2,2,,,,,,,,,,,,,  
72,2,,172168-71940,,PISTON,18,18,,,,,,,,,,,,,  
73,2,,172168-71950,,SPRING,4,4,,,,,,,,,,,,,  
74,2,,172168-71960,,PLATE,2,2,,,,,,,,,,,,,  
75,2,,172168-71970,, "PLUNGER W/BARREL",2,2,,,,,,,,,,,,,  
76,3,,172147-70420,,PLUNGER,2,2,,,,,,,,,,,,,  
77,3,,172122-70430,, "VALVE, CHECK",4,4,,,,,,,,,,,,,  
78,3,,172147-70430,,PLUG,4,4,,,,,,,,,,,,,  
79,3,,172122-70440,,SPRING,4,4,,,,,,,,,,,,,  
80,2,,172168-71980,, "BLOCK ASSY.,RELIEF",2,2,,,,,,,,,,,,,  
81,3,,172148-70350,,BOLT,8,8,,,,,,,,,,,,,  
82,3,,172162-70690,, "VALVE ASSY, RELIEF",4,4,,,,,,,,,,,,,  
83,4,,172153-70140,, "GUIDE, SPRING",4,4,,,,,,,,,,,,,  
84,4,,172162-70750,,PISTON,4,4,,,,,,,,,,,,,  
85,4,,24315-000090,, "O-RING 1B P- 9.0",4,4,,,,,,,,,,,,,  
86,3,,172168-71990,, "VALVE BODY",2,2,,,,,,,,,,,,,  
87,3,,23871-020000,, "PLUG PT1/4,SCREW",4,4,,,,,,,,,,,,,  
88,2,,172638-73330,,PLATE,2,2,,,,,,,,,,,,,  
89,2,,172312-74790,,ORIFICE,8,8,,,,,,,,,,,,,  
90,2,,24101-060024,, "BALL BEARING",2,2,,,,,,,,,,,,,  
91,2,,24101-060040,, "BALL BEARING",2,2,,,,,,,,,,,,,  
92,1,,26013-120302,, "BOLT W/WASHER M12X30",18,18,,,,,,,,,,,,,

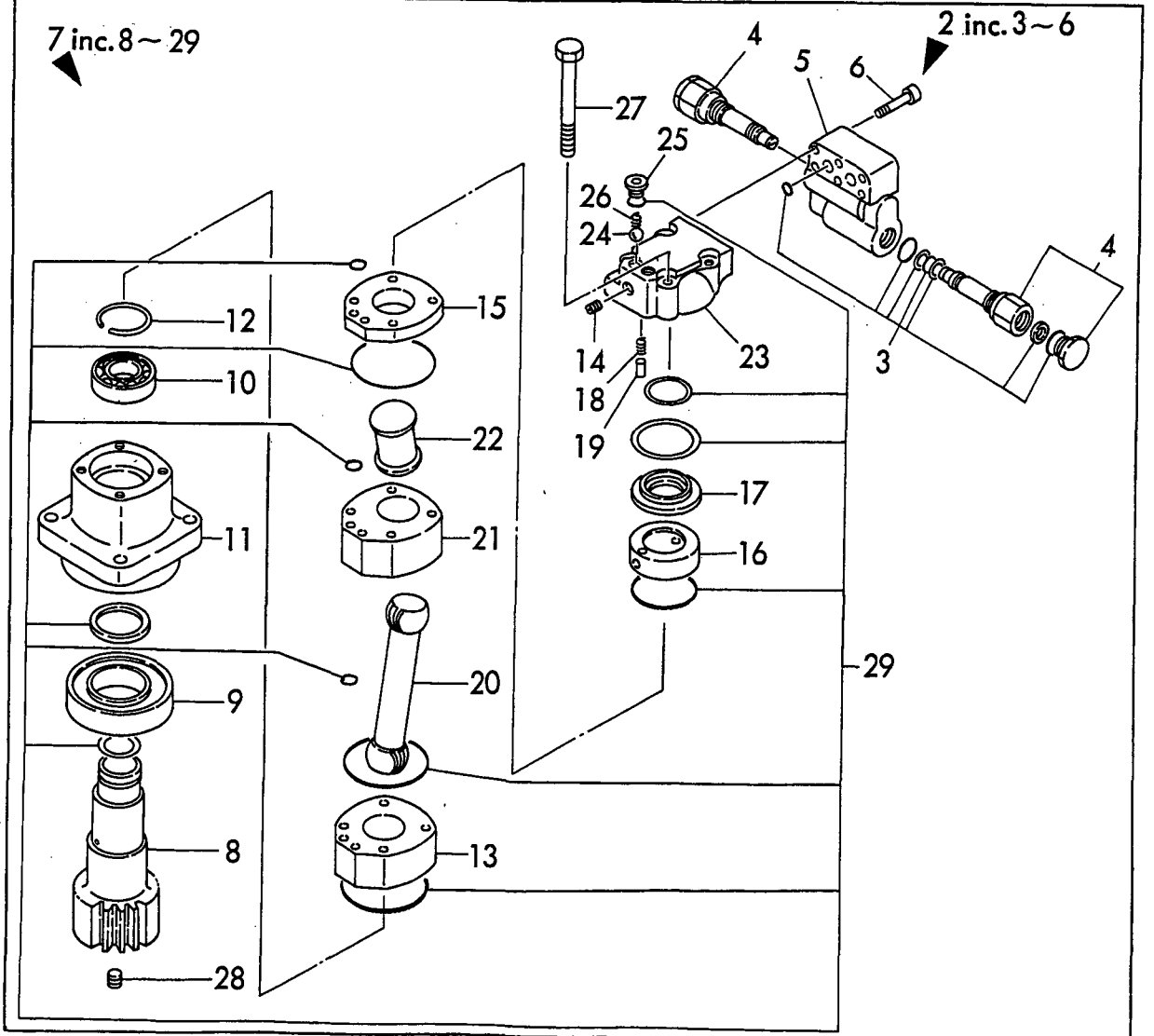
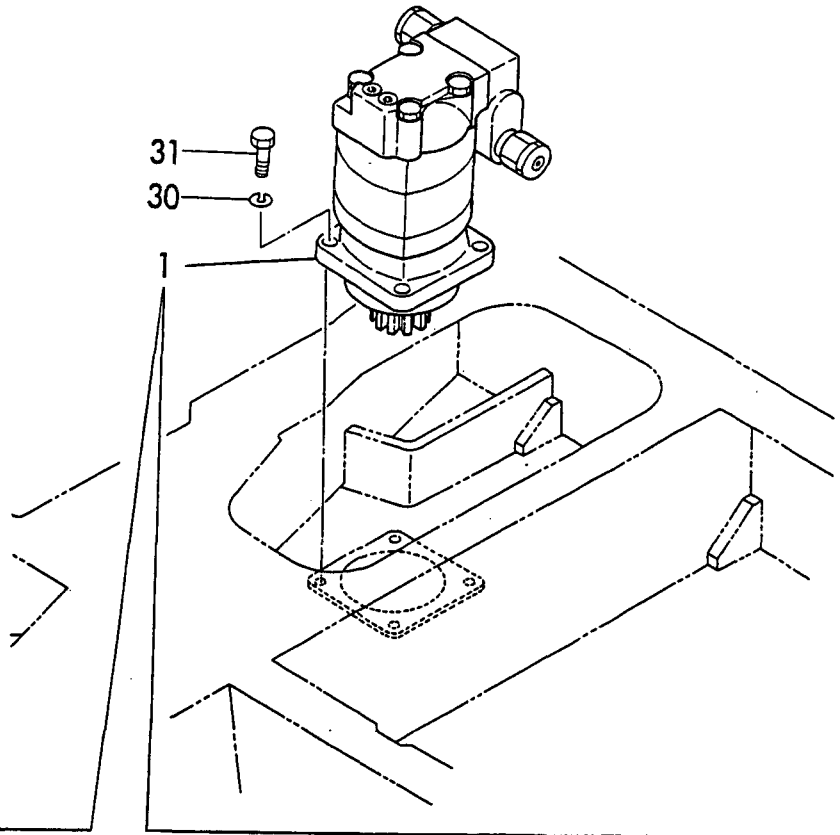
Fig. 28 TRAVEL MOTOR



1,1,,172171-73311,, "MOTOR ASSY, SWING",1,1,,,,,,,,,,,,,  
2,2,,172171-73321,, "VALVE CMP.",1,1,,,,,,,,,,,,,  
3,3,,172168-73360,, "SEAL KIT",1,1,,,,,,,,,,,,,  
4,3,,172171-73350,, "CARTRIDGE ASSY",2,2,,,,,,,,,,,,,  
5,3,,172168-73340,, "VALVE BODY",1,1,,,,,,,,,,,,,  
6,3,,172168-73370,, BOLT,6,6,,,,,,,,,,,,,  
7,2,,172171-73401,, "MOTOR ASSY, SWING",1,1,,,,,,,,,,,,,  
8,3,,172171-73420,, PINION,1,1,,,,,,,,,,,,,  
9,3,,172171-73430,, "BALL BEARING",1,1,,,,,,,,,,,,,  
10,3,,172171-73440,, "BALL BEARING",1,1,,,,,,,,,,,,,  
11,3,,172171-73410,, HOUSING,1,1,,,,,,,,,,,,,  
12,3,,172171-73460,, "RETAINING RING",1,1,,,,,,,,,,,,,  
13,3,,172171-73481,, "PLATE, WEAR",1,1,,,,,,,,,,,,,  
14,3,,172137-70490,, PLUG,1,1,,,,,,,,,,,,,  
15,3,,172148-73350,, "PLATE, VALVE",1,1,,,,,,,,,,,,,  
16,3,,172137-70600,, VALVE,1,1,,,,,,,,,,,,,  
17,3,,172137-70590,, PLATE,1,1,,,,,,,,,,,,,  
18,3,,172137-70580,, SPRING,2,2,,,,,,,,,,,,,  
19,3,,172137-70570,, PIN,2,2,,,,,,,,,,,,,  
20,3,,172171-73491,, DRAIVE,1,1,,,,,,,,,,,,,  
21,3,,172141-77250,, ROLLER,1,1,,,,,,,,,,,,,  
22,3,,172141-77260,, "VALVE DRIVE",1,1,,,,,,,,,,,,,  
23,3,,172171-73501,, "HOUSING, VALVE",1,1,,,,,,,,,,,,,  
24,3,,172168-73580,, BALL,2,2,,,,,,,,,,,,,  
25,3,,172168-73590,, PLAG,2,2,,,,,,,,,,,,,  
26,3,,172168-73600,, SPRING,2,2,,,,,,,,,,,,,  
27,3,,172171-73511,, BOLT,4,4,,,,,,,,,,,,,  
28,3,,172137-70490,, PLUG,1,1,,,,,,,,,,,,,  
29,3,,172171-73521,, "SEAL KIT",1,1,,,,,,,,,,,,,  
30,1,,22217-120000,, "WASHER 12, SPRING",4,4,,,,,,,,,,,,,  
31,1,,26116-120402,, "BOLT M12X 40",4,4,,,,,,,,,,,,,

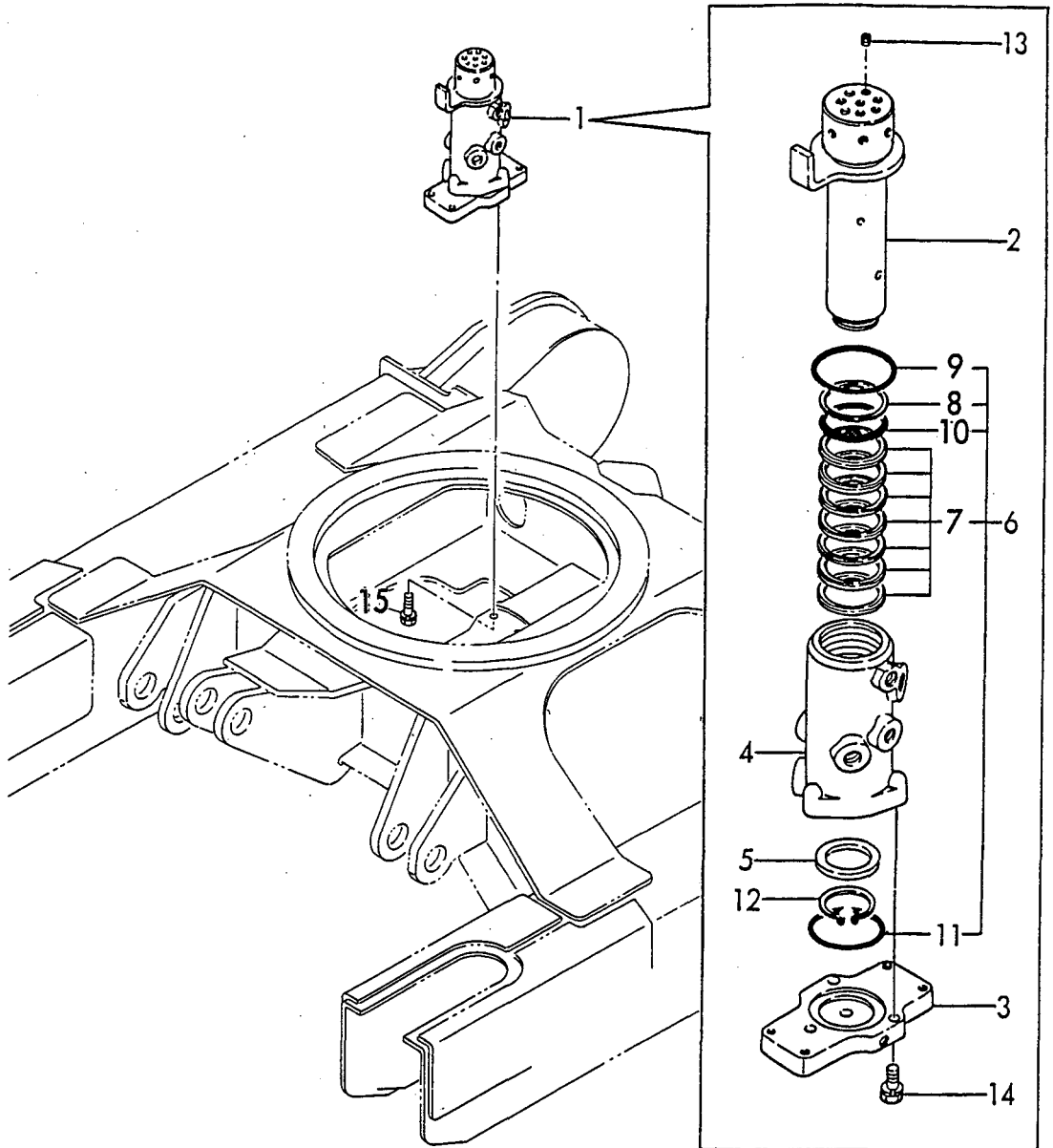


Fig. 29 TURNING MOTOR



1,1,,172148-73800,, "JOINT, SEIVEL",1,1,,,,,,,,,,,,,  
2,2,,172148-73810,, "SHAFT, SWIVEL",1,1,,,,,,,,,,,,,  
3,2,,172148-73830,, "FLANGE, SWIVEL",1,1,,,,,,,,,,,,,  
4,2,,172148-73840,, "HUB, SWIVEL",1,1,,,,,,,,,,,,,  
5,2,,172137-73860,, "SPACER, SWIVEL",1,1,,,,,,,,,,,,,  
6,2,,172148-73880,, "SEAL KIT, SWIVEL",1,1,,,,,,,,,,,,,  
7,3,,172148-73860,, "SEAL STK",7,7,,,,,,,,,,,,,  
8,3,,172148-73870,, "LING EL, BUCK UP",1,1,,,,,,,,,,,,,  
9,3,,24311-000750,, "O-RING 1A P-75.0",1,1,,,,,,,,,,,,,  
10,3,,172142-73800,, "O-RING 55.76X5.7",1,1,,,,,,,,,,,,,  
11,3,,24321-000700,, "O-RING 1A G-70.0",1,1,,,,,,,,,,,,,  
12,2,,22242-000451,, "CIRCLIP 45",1,1,,,,,,,,,,,,,  
13,2,,23871-020000,, "PLUG PT1/4, SCREW",7,7,,,,,,,,,,,,,  
14,2,,26013-100352,, "BOLT M10X 35",3,3,,,,,,,,,,,,,  
15,1,,26013-100302,, "BOLT M10X 30",4,4,,,,,,,,,,,,,

Fig. 30 SWIVEL JOINT



1,1,,172165-45490,,CUSHION,5,5,,,,,,,,,,,,,  
2,1,,172168-45400,,,"PLATE ASSY, LINK",1,1,,,,,,,,,,,,,  
2-1,1,,172174-45600,,,"PLATE ASSY, LINK",1,1,,,,,R,,72174AMA-1,M910001,72174AMA-  
1,M910001,,,,,,,,,  
3,1,,22252-000280,,,"CIRCLIP 28",5,5,,,,,,,,,,,,,  
4,1,,26106-100352,,,"BOLT M10X 35 PLATED",5,5,,,,,,,,,,,,,  
5,1,,26013-100302,,,"BOLT M10X 30",3,3,,,,,,,,,,,,,  
6,1,,26716-100002,,,"NUT M10",1,1,,,,,,,,,,,,,  
7,1,,172171-74120,,,"VALVE ASSY,CONTROL",1,1,,,,,,,,,,,,,  
8,2,,26716-080002,,,"NUT M 8",4,4,,,,,,,,,,,,,  
9,2,,172151-74110,,,"TIE-ROD",2,2,,,,,,,,,,,,,  
10,2,,26716-100002,,,"NUT M10",2,2,,,,,,,,,,,,,  
11,2,,172151-74120,,,"TIE-ROD",1,1,,,,,,,,,,,,,  
12,2,,172171-72500,,,"SECTION KIT,INLET",1,1,,,,,,,,,,,,,  
13,3,,172122-74520,,,"SECTION, INLET",1,1,,,,,,,,,,,,,  
14,4,,172122-74590,,,"HOUSING, INLET",1,1,,,,,,,,,,,,,  
15,4,,933171-80590,,,"O-RING",1,1,,,,,,,,,,,,,  
16,3,,172171-72630,,,"VALVE 175/25,RELIEF",1,1,,,,,,,,,,,,,  
17,4,,172116-74150,,,"O-RING",1,1,,,,,,,,,,,,,  
18,3,,172116-74320,,,"PLUG",1,1,,,,,,,,,,,,,  
19,3,,172116-74150,,,"O-RING",1,1,,,,,,,,,,,,,  
20,2,,172168-72620,,,"SECTION ASSY.,SPACER",1,1,,,,,,,,,,,,,  
21,3,,172122-73430,,,"PLUG",1,1,,,,,,,,,,,,,  
22,2,,172171-72700,,,"SECTION KIT,SPACER",1,1,,,,,,,,,,,,,  
23,3,,172146-74680,,,"SECTION ASSY, SPACER",1,1,,,,,,,,,,,,,  
24,4,,172146-74750,,,"SPACER",1,1,,,,,,,,,,,,,  
25,4,,933171-80590,,,"O-RING",1,1,,,,,,,,,,,,,  
26,4,,172122-73430,,,"PLUG",1,1,,,,,,,,,,,,,  
27,4,,23871-030000,,,"PLUG PT3/8,SCREW",1,1,,,,,,,,,,,,,  
28,3,,172171-72630,,,"VALVE 175/25,RELIEF",1,1,,,,,,,,,,,,,  
29,4,,172116-74150,,,"O-RING",1,1,,,,,,,,,,,,,  
30,3,,172146-74720,,,"VALVE ASSY, SHUT-OFF",1,1,,,,,,,,,,,,,  
31,4,,24311-240100,,,"O-RING 1A P-10A",1,1,,,,,,,,,,,,,  
32,4,,172116-74150,,,"O-RING",1,1,,,,,,,,,,,,,  
33,2,,172171-72510,,,"SECTION KIT,INLET",1,1,,,,,,,,,,,,,  
34,3,,172122-74520,,,"SECTION, INLET",1,1,,,,,,,,,,,,,  
35,4,,172122-74590,,,"HOUSING, INLET",1,1,,,,,,,,,,,,,  
36,4,,933171-80590,,,"O-RING",1,1,,,,,,,,,,,,,  
37,3,,172171-72640,,,"VALVE 160/24,RELIEF",1,1,,,,,,,,,,,,,  
38,4,,172116-74150,,,"O-RING",1,1,,,,,,,,,,,,,  
39,2,,172112-06480,,,"PLUG",2,2,,,,,,,,,,,,,  
40,2,,172112-06490,,,"O-RING",2,2,,,,,,,,,,,,,  
41,2,,172116-74320,,,"PLUG",1,1,,,,,,,,,,,,,  
42,2,,172116-74150,,,"O-RING",1,1,,,,,,,,,,,,,

# Fig. 31 CONTROL VALVE (P PORT)

CONTROL VALVE ASSY  
(172171-74120)

Fig.31 Ref.No.7

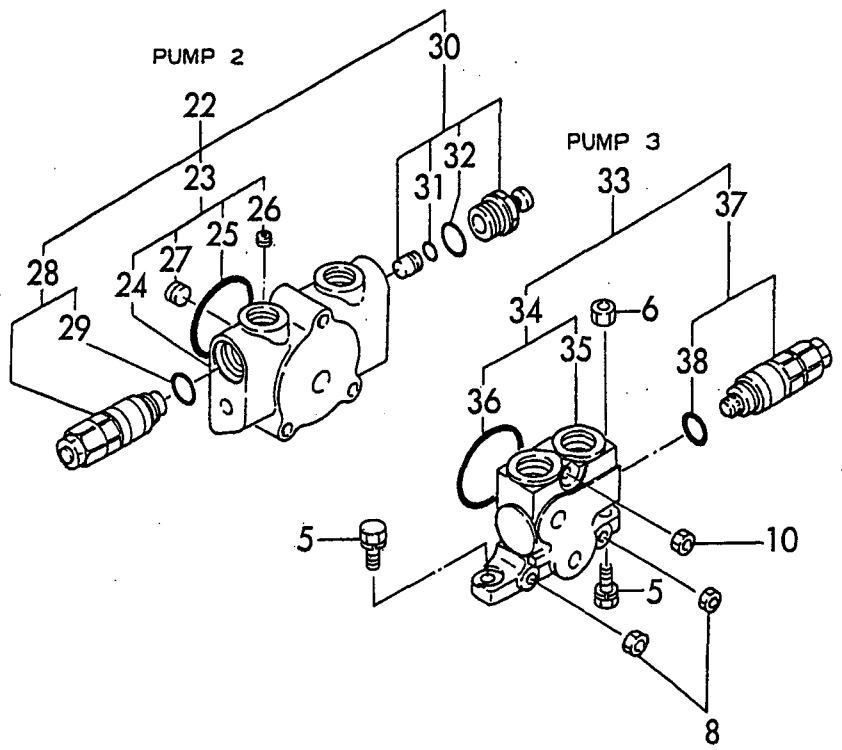
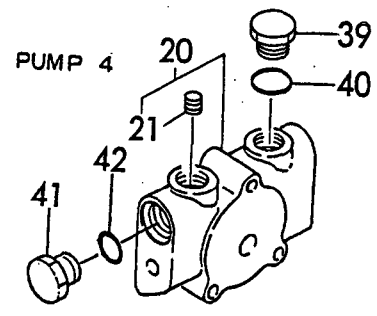
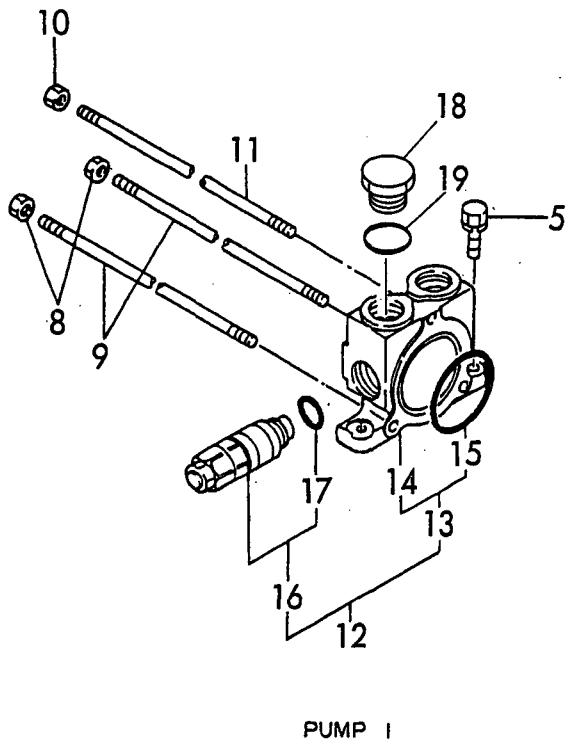
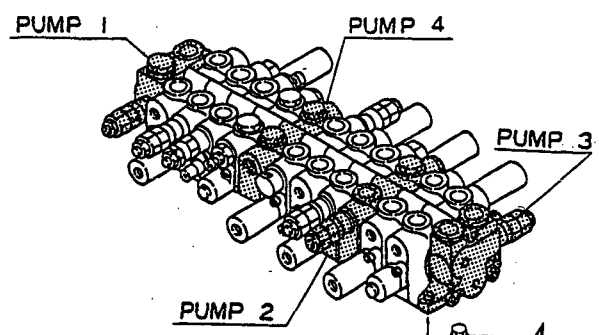
INC Fig.31 Ref.No.8~42

Fig.32 Ref.No.1~22

Fig.33 Ref.No.1~56

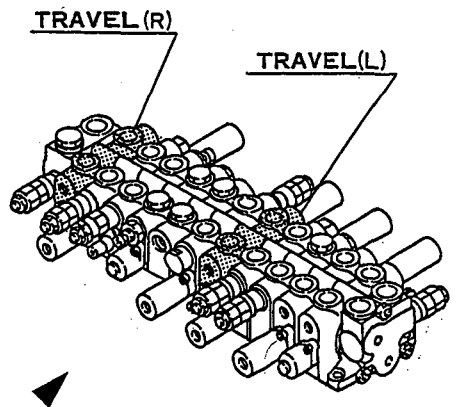
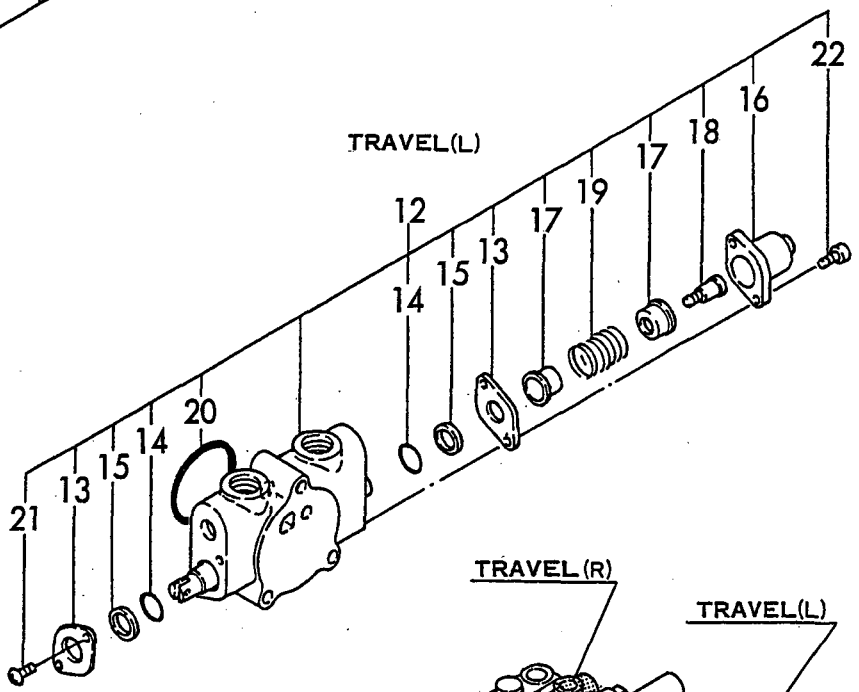
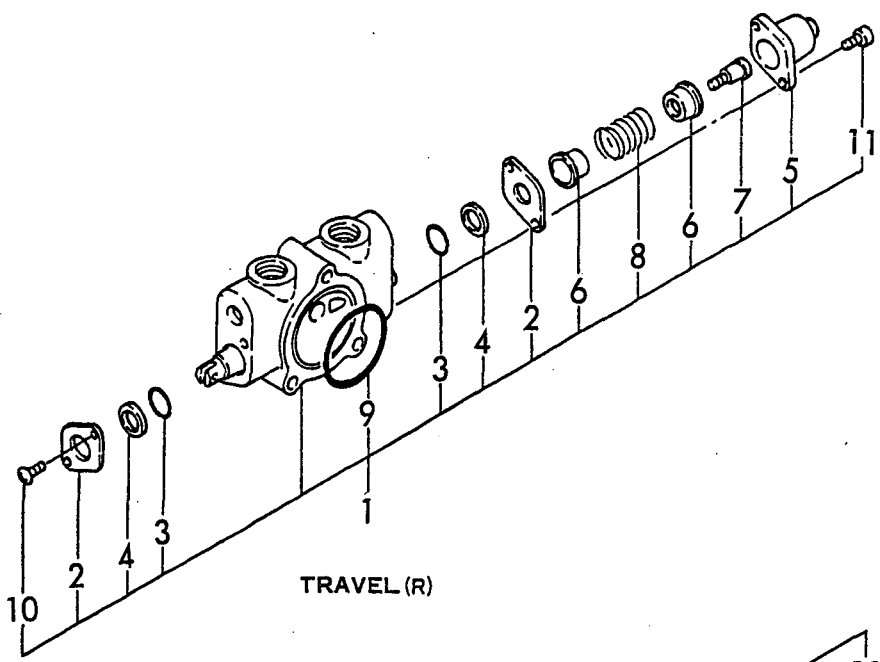
Fig.34 Ref.No.1~34

Fig.35 Ref.No.1~25



1,2,,172171-72580,,U-NUT,1,1,,,,,,,,,,,,,  
2,3,,172116-74190,,,"PLATE, SEAL",2,2,,,,,,,,,,,,,  
3,3,,933171-80610,,,"O-RING",2,2,,,,,,,,,,,,,  
4,3,,933166-80520,,,"WIPER",2,2,,,,,,,,,,,,,  
5,3,,933166-80530,,,"CAP",1,1,,,,,,,,,,,,,  
6,3,,933171-80510,,,"SEAT, SPRING",2,2,,,,,,,,,,,,,  
7,3,,933166-80550,,,"SCREW, CAP",1,1,,,,,,,,,,,,,  
8,3,,172122-74050,,,"SPRING",1,1,,,,,,,,,,,,,  
9,3,,933171-80590,,,"O-RING",1,1,,,,,,,,,,,,,  
10,3,,172116-74220,,,"SCREW",2,2,,,,,,,,,,,,,  
11,3,,172151-74060,,,"BOLT, SOCKET HEAD",2,2,,,,,,,,,,,,,  
12,2,,172171-72610,,,"SECTION ASSY.,SPOOL",1,1,,,,,,,,,,,,,  
13,3,,172116-74190,,,"PLATE, SEAL",2,2,,,,,,,,,,,,,  
14,3,,933171-80610,,,"O-RING",2,2,,,,,,,,,,,,,  
15,3,,933166-80520,,,"WIPER",2,2,,,,,,,,,,,,,  
16,3,,933166-80530,,,"CAP",1,1,,,,,,,,,,,,,  
17,3,,933171-80510,,,"SEAT, SPRING",2,2,,,,,,,,,,,,,  
18,3,,933166-80550,,,"SCREW, CAP",1,1,,,,,,,,,,,,,  
19,3,,172122-74050,,,"SPRING",1,1,,,,,,,,,,,,,  
20,3,,933171-80590,,,"O-RING",1,1,,,,,,,,,,,,,  
21,3,,172116-74220,,,"SCREW",2,2,,,,,,,,,,,,,  
22,3,,172151-74060,,,"BOLT, SOCKET HEAD",2,2,,,,,,,,,,,,,

# Fig. 32 CONTROL VALVE (TRAVEL)

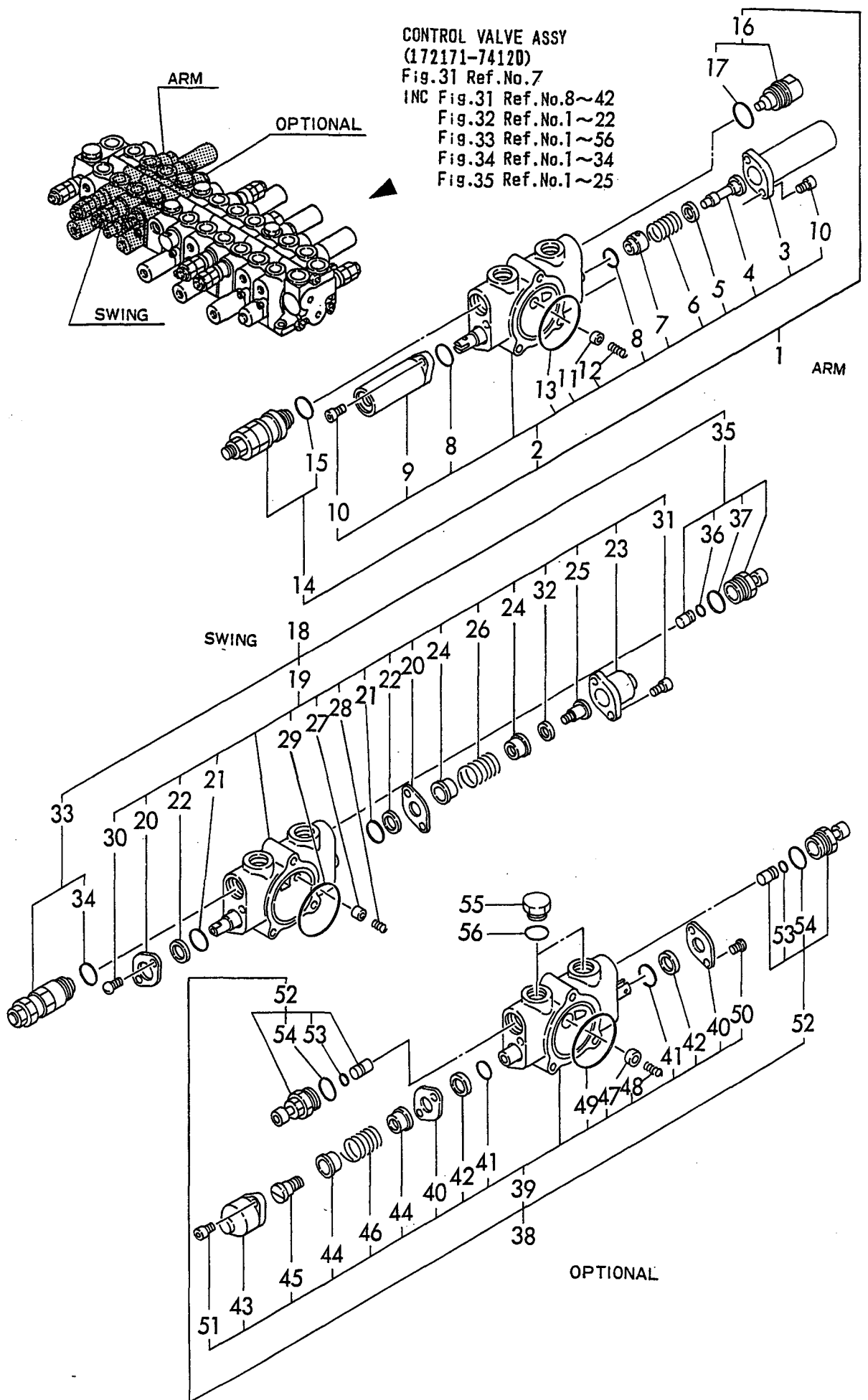


- CONTROL VALVE ASSY  
 (172171-74120)  
 Fig.31 Ref.No.7  
 INC Fig.31 Ref.No.8~42  
 Fig.32 Ref.No.1~22  
 Fig.33 Ref.No.1~56  
 Fig.34 Ref.No.1~34  
 Fig.35 Ref.No.1~25

1,2,,172171-72670,, "SECTION KIT, SPOOL",1,1,,,,,,,,,,,,,  
2,3,,172168-72800,, "SECTION ASSY.,SPOOL",1,1,,,,,,,,,,,,,  
3,4,,172168-72900,,CAP,1,1,,,,,,,,,,,,,  
4,4,,172168-72850,, "END, SPOOL",1,1,,,,,,,,,,,,,  
5,4,,933171-80510,, "SEAT, SPRING",1,1,,,,,,,,,,,,,  
6,4,,172168-72880,,SPRING,1,1,,,,,,,,,,,,,  
7,4,,172168-72860,, "SEAT,SPRING",1,1,,,,,,,,,,,,,  
8,4,,172151-74320,,O-RING,2,2,,,,,,,,,,,,,  
9,4,,172168-72890,,CAP,1,1,,,,,,,,,,,,,  
10,4,,172151-74060,, "BOLT, SOCKET HEAD",4,4,,,,,,,,,,,,,  
11,4,,172122-74130,,POPPET,1,1,,,,,,,,,,,,,  
12,4,,172168-72750,, "SPRING,CHECK VALVE",1,1,,,,,,,,,,,,,  
13,4,,933171-80590,,O-RING,1,1,,,,,,,,,,,,,  
14,3,,172171-72660,, "VALVE 210/25,RELIEF",1,1,,,,,,,,,,,,,  
15,4,,172116-74150,,O-RING,1,1,,,,,,,,,,,,,  
16,3,,172310-79180,,VALVE,1,1,,,,,,,,,,,,,  
17,4,,172116-74150,,O-RING,1,1,,,,,,,,,,,,,  
18,2,,172171-72530,, "SECTION KIT, SPOOL",1,1,,,,,,,,,,,,,  
19,3,,172171-72590,, "SECTION ASSY.,SPOOL",1,1,,,,,,,,,,,,,  
20,4,,172116-74190,, "PLATE, SEAL",2,2,,,,,,,,,,,,,  
21,4,,933171-80610,,O-RING,2,2,,,,,,,,,,,,,  
22,4,,933166-80520,,WIPER,2,2,,,,,,,,,,,,,  
23,4,,933166-80530,,CAP,1,1,,,,,,,,,,,,,  
24,4,,933171-80510,, "SEAT, SPRING",2,2,,,,,,,,,,,,,  
25,4,,933166-80550,, "SCREW, CAP",1,1,,,,,,,,,,,,,  
26,4,,172122-74050,,SPRING,1,1,,,,,,,,,,,,,  
27,4,,172122-74130,,POPPET,1,1,,,,,,,,,,,,,  
28,4,,172168-72750,, "SPRING,CHECK VALVE",1,1,,,,,,,,,,,,,  
29,4,,933171-80590,,O-RING,1,1,,,,,,,,,,,,,  
30,4,,172116-74220,,SCREW,2,2,,,,,,,,,,,,,  
31,4,,172151-74060,, "BOLT, SOCKET HEAD",2,2,,,,,,,,,,,,,  
32,4,,172146-74740,,WASHER,1,1,,,,,,,,,,,,,  
33,3,,172146-74730,, "VALVE ASSY",1,1,,,,,,,,,,,,,  
34,4,,172116-74150,,O-RING,1,1,,,,,,,,,,,,,  
35,3,,172146-74720,, "VALVE ASSY, SHUT-OFF",1,1,,,,,,,,,,,,,  
36,4,,24311-240100,, "O-RING 1A P-10A",1,1,,,,,,,,,,,,,  
37,4,,172116-74150,,O-RING,1,1,,,,,,,,,,,,,  
38,2,,172168-72540,, "SECTION KIT, SPOOL",1,1,,,,,,,,,,,,,  
39,3,,172168-72610,, "SECTION ASSY, SPOOL",1,1,,,,,,,,,,,,,  
40,4,,172116-74190,, "PLATE, SEAL",2,2,,,,,,,,,,,,,  
41,4,,933171-80610,,O-RING,2,2,,,,,,,,,,,,,  
42,4,,933166-80520,,WIPER,2,2,,,,,,,,,,,,,  
43,4,,933166-80530,,CAP,1,1,,,,,,,,,,,,,  
44,4,,933171-80510,, "SEAT, SPRING",2,2,,,,,,,,,,,,,  
45,4,,933166-80550,, "SCREW, CAP",1,1,,,,,,,,,,,,,  
46,4,,172168-72760,, "SPRING, SPOOL",1,1,,,,,,,,,,,,,  
47,4,,172122-74130,,POPPET,1,1,,,,,,,,,,,,,  
48,4,,172168-72750,, "SPRING,CHECK VALVE",1,1,,,,,,,,,,,,,  
49,4,,933171-80590,,O-RING,1,1,,,,,,,,,,,,,  
50,4,,172116-74220,,SCREW,2,2,,,,,,,,,,,,,  
51,4,,172151-74060,, "BOLT, SOCKET HEAD",2,2,,,,,,,,,,,,,  
52,3,,172146-74720,, "VALVE ASSY, SHUT-OFF",2,2,,,,,,,,,,,,,  
53,4,,24311-240100,, "O-RING 1A P-10A",2,2,,,,,,,,,,,,,  
54,4,,172116-74150,,O-RING,2,2,,,,,,,,,,,,,  
55,3,,172112-06480,,PLUG,2,2,,,,,,,,,,,,,  
56,3,,172112-06490,,O-RING,2,2,,,,,,,,,,,,,

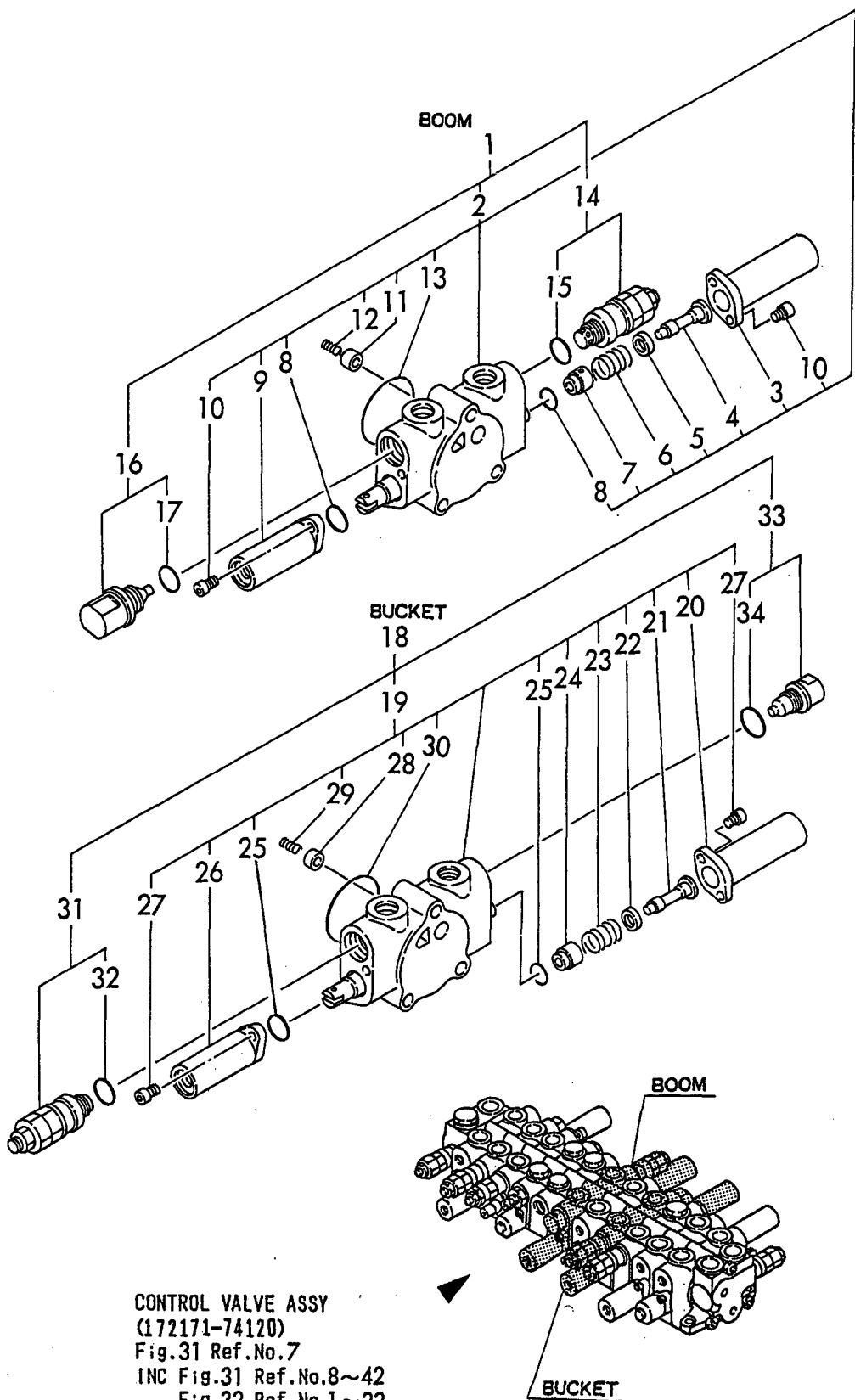


Fig. **33** CONTROL VALVE (ARM & SWING)



1,2,,172171-72680,, "SECTION KIT, SPOOL",1,1,,,,,,,,,,,,,  
2,3,,172171-72690,, "SECTION ASSY.,SPOOL",1,1,,,,,,,,,,,,,  
3,4,,172168-72900,,CAP,1,1,,,,,,,,,,,,,  
4,4,,172168-72850,, "END, SPOOL",1,1,,,,,,,,,,,,,  
5,4,,933171-80510,, "SEAT, SPRING",1,1,,,,,,,,,,,,,  
6,4,,172168-72880,,SPRING,1,1,,,,,,,,,,,,,  
7,4,,172168-72860,, "SEAT,SPRING",1,1,,,,,,,,,,,,,  
8,4,,172151-74320,,O-RING,2,2,,,,,,,,,,,,,  
9,4,,172168-72890,,CAP,1,1,,,,,,,,,,,,,  
10,4,,172151-74060,, "BOLT, SOCKET HEAD",4,4,,,,,,,,,,,,,  
11,4,,172122-74130,,POPPET,1,1,,,,,,,,,,,,,  
12,4,,172168-72750,, "SPRING,CHECK VALVE",1,1,,,,,,,,,,,,,  
13,4,,933171-80590,,O-RING,1,1,,,,,,,,,,,,,  
14,3,,172171-72650,, "VALVE 210/25,RELIEF",1,1,,,,,,,,,,,,,  
15,4,,172116-74150,,O-RING,1,1,,,,,,,,,,,,,  
16,3,,172310-79180,,VALVE,1,1,,,,,,,,,,,,,  
17,4,,172116-74150,,O-RING,1,1,,,,,,,,,,,,,  
18,2,,172168-72790,, "SECTION KIT, SPOOL",1,1,,,,,,,,,,,,,  
19,3,,172168-72820,, "SECTION ASSY.,SPOOL",1,1,,,,,,,,,,,,,  
20,4,,172168-72900,,CAP,1,1,,,,,,,,,,,,,  
21,4,,172168-72850,, "END, SPOOL",1,1,,,,,,,,,,,,,  
22,4,,933171-80510,, "SEAT, SPRING",1,1,,,,,,,,,,,,,  
23,4,,172168-72880,,SPRING,1,1,,,,,,,,,,,,,  
24,4,,172168-72860,, "SEAT,SPRING",1,1,,,,,,,,,,,,,  
25,4,,172151-74320,,O-RING,2,2,,,,,,,,,,,,,  
26,4,,172168-72890,,CAP,1,1,,,,,,,,,,,,,  
27,4,,172151-74060,, "BOLT, SOCKET HEAD",4,4,,,,,,,,,,,,,  
28,4,,172122-74130,,POPPET,1,1,,,,,,,,,,,,,  
29,4,,172168-72750,, "SPRING,CHECK VALVE",1,1,,,,,,,,,,,,,  
30,4,,933171-80590,,O-RING,1,1,,,,,,,,,,,,,  
31,3,,172168-72730,, "VALVE 260/33,RELIEF",1,1,,,,,,,,,,,,,  
32,4,,172116-74150,,O-RING,1,1,,,,,,,,,,,,,  
33,3,,172310-79180,,VALVE,1,1,,,,,,,,,,,,,  
34,4,,172116-74150,,O-RING,1,1,,,,,,,,,,,,,

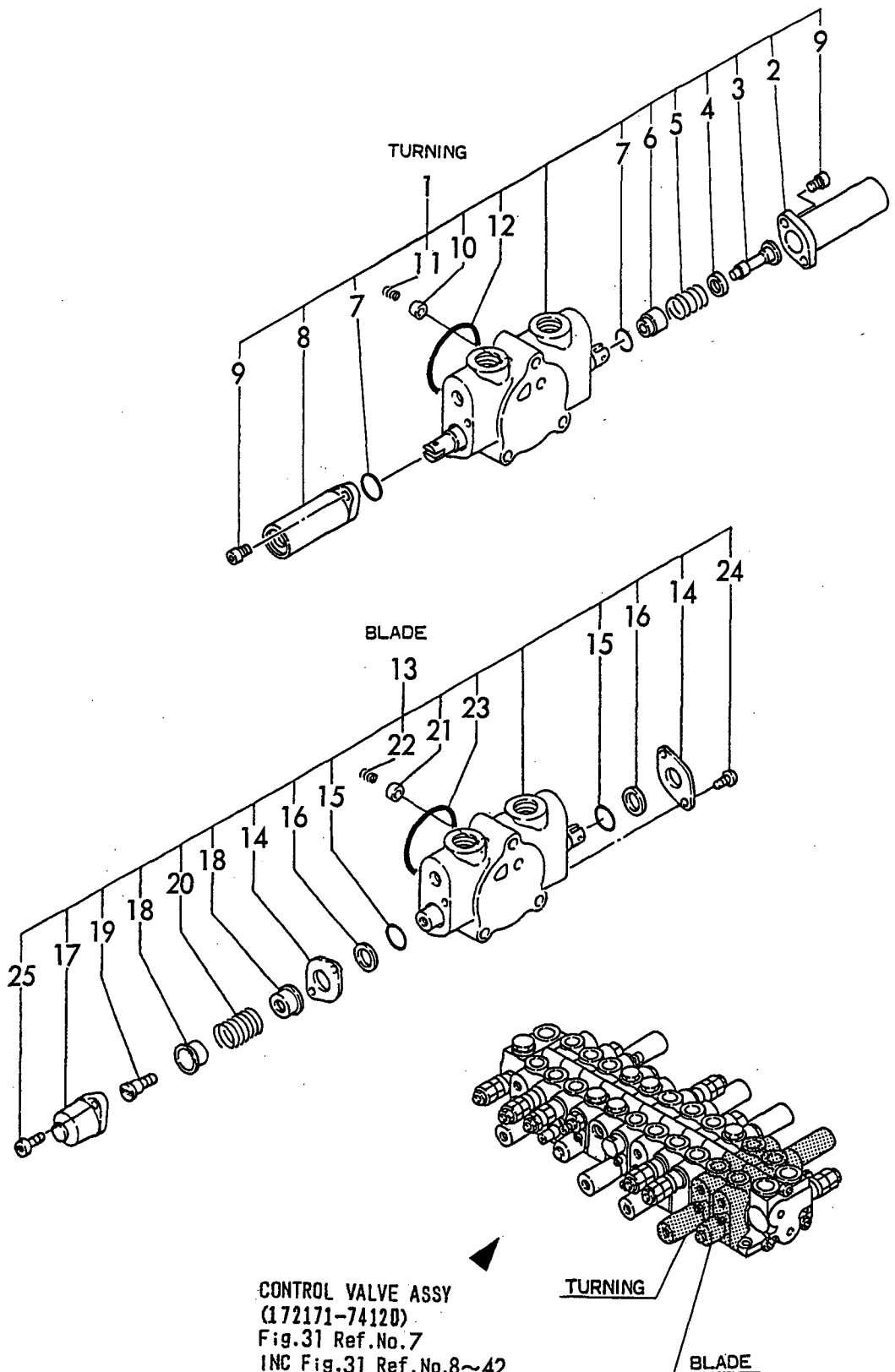
Fig. **34** CONTROL VALVE (BOOM & BUCKET)



CONTROL VALVE ASSY  
 (172171-74120)  
 Fig.31 Ref.No.7  
 INC Fig.31 Ref.No.8~42  
 Fig.32 Ref.No.1~22  
 Fig.33 Ref.No.1~56  
 Fig.34 Ref.No.1~34  
 Fig.35 Ref.No.1~25

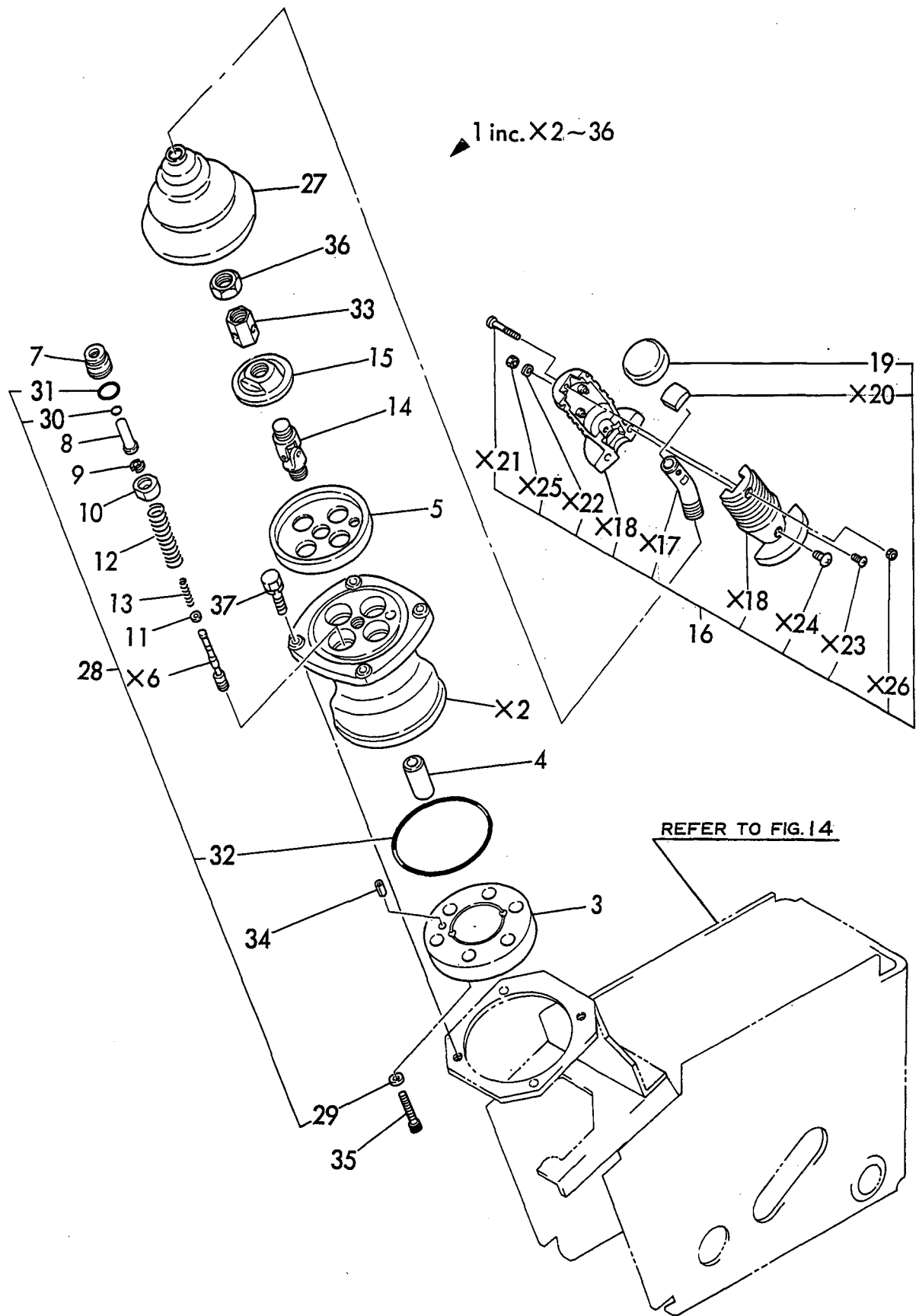
1,2,,172168-72830,, "SECTION KIT, SPOOL",1,1,,,,,,,,,,,,,  
2,3,,172168-72840,, "CAP, FILLER",1,1,,,,,,,,,,,,,  
3,3,,172168-72850,, "END, SPOOL",1,1,,,,,,,,,,,,,  
4,3,,933171-80510,, "SEAT, SPRING",1,1,,,,,,,,,,,,,  
5,3,,172151-74340,, "SPRING",1,1,,,,,,,,,,,,,  
6,3,,172168-72860,, "SEAT, SPRING",1,1,,,,,,,,,,,,,  
7,3,,172151-74320,, "O-RING",2,2,,,,,,,,,,,,,  
8,3,,172168-72870,, "CAP",1,1,,,,,,,,,,,,,  
9,3,,172151-74060,, "BOLT, SOCKET HEAD",4,4,,,,,,,,,,,,,  
10,3,,172122-74130,, "POPPET",1,1,,,,,,,,,,,,,  
11,3,,172168-72750,, "SPRING, CHECK VALVE",1,1,,,,,,,,,,,,,  
12,3,,933171-80590,, "O-RING",1,1,,,,,,,,,,,,,  
13,2,,172171-72620,, "SECTION ASSY., SPOOL",1,1,,,,,,,,,,,,,  
14,3,,172116-74190,, "PLATE, SEAL",2,2,,,,,,,,,,,,,  
15,3,,933171-80610,, "O-RING",2,2,,,,,,,,,,,,,  
16,3,,933166-80520,, "WIPER",2,2,,,,,,,,,,,,,  
17,3,,933166-80530,, "CAP",1,1,,,,,,,,,,,,,  
18,3,,933171-80510,, "SEAT, SPRING",2,2,,,,,,,,,,,,,  
19,3,,933166-80550,, "SCREW, CAP",1,1,,,,,,,,,,,,,  
20,3,,172122-74050,, "SPRING",1,1,,,,,,,,,,,,,  
21,3,,172122-74130,, "POPPET",1,1,,,,,,,,,,,,,  
22,3,,172168-72750,, "SPRING, CHECK VALVE",1,1,,,,,,,,,,,,,  
23,3,,933171-80590,, "O-RING",1,1,,,,,,,,,,,,,  
24,3,,172116-74220,, "SCREW",2,2,,,,,,,,,,,,,  
25,3,,172151-74060,, "BOLT, SOCKET HEAD",2,2,,,,,,,,,,,,,

# Fig. 35 CONTROL VALVE (TURNING & BLADE)



1,1,,172165-74300,, "JOY-STICK L.H.",1,1,,,,,,,,,,,,,  
3,2,,172151-73350,, "PLATE, PORT",1,1,,,,,,,,,,,,,  
4,2,,172151-73370,, BUSH,1,1,,,,,,,,,,,,,  
5,2,,172151-73380,, PLATE,1,1,,,,,,,,,,,,,  
7,2,,172151-73400,, PLUG,4,4,,,,,,,,,,,,,  
8,2,,172165-74320,, ROD,4,4,,,,,,,,,,,,,  
9,2,,172151-73430,, WASHER,8,8,,,,,,,,,,,,,  
10,2,,172151-73440,, RETAINER,4,4,,,,,,,,,,,,,  
11,2,,172151-73450,, WASHER,4,4,,,,,,,,,,,,,  
12,2,,172151-73460,, SPRING,4,4,,,,,,,,,,,,,  
13,2,,172165-74330,, SPRING,4,4,,,,,,,,,,,,,  
14,2,,172151-73480,, JOINT,1,1,,,,,,,,,,,,,  
15,2,,172151-73490,, PLATE,1,1,,,,,,,,,,,,,  
16,2,,172165-74340,, "HANDLE, SUB",1,1,,,,,,,,,,,,,  
19,3,,172151-73530,, "HANDLE, CAP",1,1,,,,,,,,,,,,,  
27,2,,172151-73620,, BELLOWS,1,1,,,,,,,,,,,,,  
28,2,,172151-73630,, "SEAL KIT, SUB",1,1,,,,,,,,,,,,,  
29,3,,172151-73360,, "SEAL WASHER",2,2,,,,,,,,,,,,,  
30,3,,172151-73420,, SEAL,4,4,,,,,,,,,,,,,  
31,3,,24315-000200,, "O-RING 1B P-20.0",4,4,,,,,,,,,,,,,  
32,3,,24341-000900,, "O-RING 1A S-90.0",1,1,,,,,,,,,,,,,  
33,2,,172151-73650,, "NUT, ADJUST",1,1,,,,,,,,,,,,,  
34,2,,22351-050010,, "SPRING PIN 5X10",1,1,,,,,,,,,,,,,  
35,2,,26450-080302,, "BOLT M 8X 30",2,2,,,,,,,,,,,,,  
36,2,,26756-140002,, "LOCK NUT M14 PLATED",1,1,,,,,,,,,,,,,  
37,1,,26013-060252,, "BOLT M 6X 25",4,4,,,,,,,,,,,,,

Fig. **36** REMOTE CONTROL VALVE (LEFT)

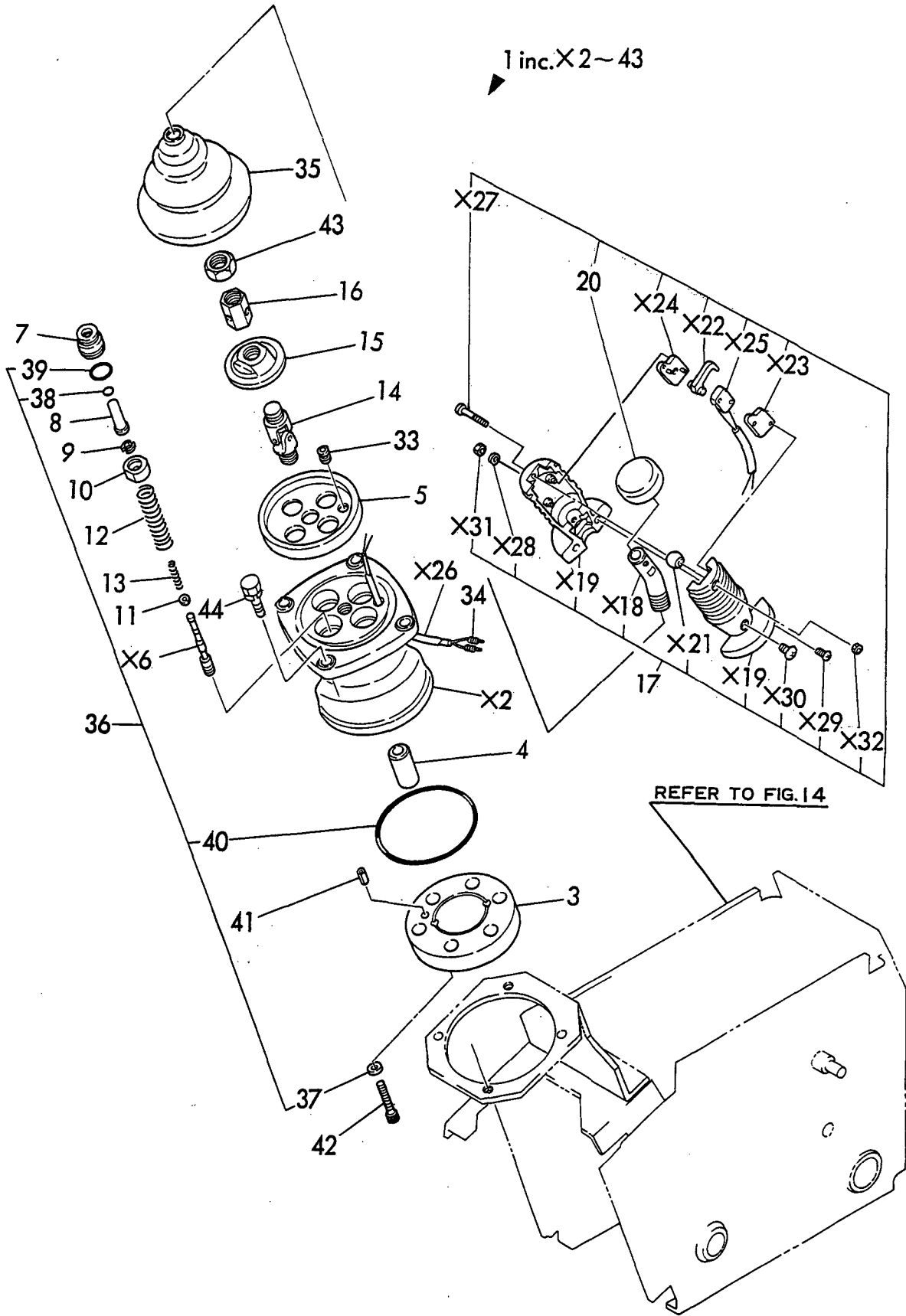


× MARK PARTS: NOT SOLD SEPARATELY.

1,1,,172165-74310,, "JOY-STICK R.H.",1,1,,,,,,,,,,,,,  
3,2,,172151-73350,, "PLATE, PORT",1,1,,,,,,,,,,,,,  
4,2,,172151-73370,, BUSH,1,1,,,,,,,,,,,,,  
5,2,,172151-73380,, PLATE,1,1,,,,,,,,,,,,,  
7,2,,172151-73400,, PLUG,4,4,,,,,,,,,,,,,  
8,2,,172165-74320,, ROD,4,4,,,,,,,,,,,,,  
9,2,,172151-73430,, WASHER,8,8,,,,,,,,,,,,,  
10,2,,172151-73440,, RETAINER,4,4,,,,,,,,,,,,,  
11,2,,172151-73450,, WASHER,4,4,,,,,,,,,,,,,  
12,2,,172151-73460,, SPRING,4,4,,,,,,,,,,,,,  
13,2,,172165-74330,, SPRING,4,4,,,,,,,,,,,,,  
14,2,,172151-73480,, JOINT,1,1,,,,,,,,,,,,,  
15,2,,172151-73490,, PLATE,1,1,,,,,,,,,,,,,  
16,2,,172151-73500,, "NUT, ADJUST",1,1,,,,,,,,,,,,,  
17,2,,172165-74350,, "HANDLE, SUB",1,1,,,,,,,,,,,,,  
20,3,,172151-73530,, "HANDLE, CAP",1,1,,,,,,,,,,,,,  
33,2,,172151-73590,, BUSH,1,1,,,,,,,,,,,,,  
34,2,,172151-73610,, TERMINAL,2,2,,,,,,,,,,,,,  
35,2,,172151-73620,, BELLOWS,1,1,,,,,,,,,,,,,  
36,2,,172151-73630,, "SEAL KIT, SUB",1,1,,,,,,,,,,,,,  
37,3,,172151-73360,, "SEAL WASHER",2,2,,,,,,,,,,,,,  
38,3,,172151-73420,, SEAL,4,4,,,,,,,,,,,,,  
39,3,,24315-000200,, "O-RING 1B P-20.0",4,4,,,,,,,,,,,,,  
40,3,,24341-000900,, "O-RING 1A S-90.0",1,1,,,,,,,,,,,,,  
41,2,,22351-050010,, "SPRING PIN 5X10",1,1,,,,,,,,,,,,,  
42,2,,26450-080302,, "BOLT M 8X 30",2,2,,,,,,,,,,,,,  
43,2,,26756-140002,, "LOCK NUT M14 PLATED",1,1,,,,,,,,,,,,,  
44,1,,26013-060252,, "BOLT M 6X 25",4,4,,,,,,,,,,,,,



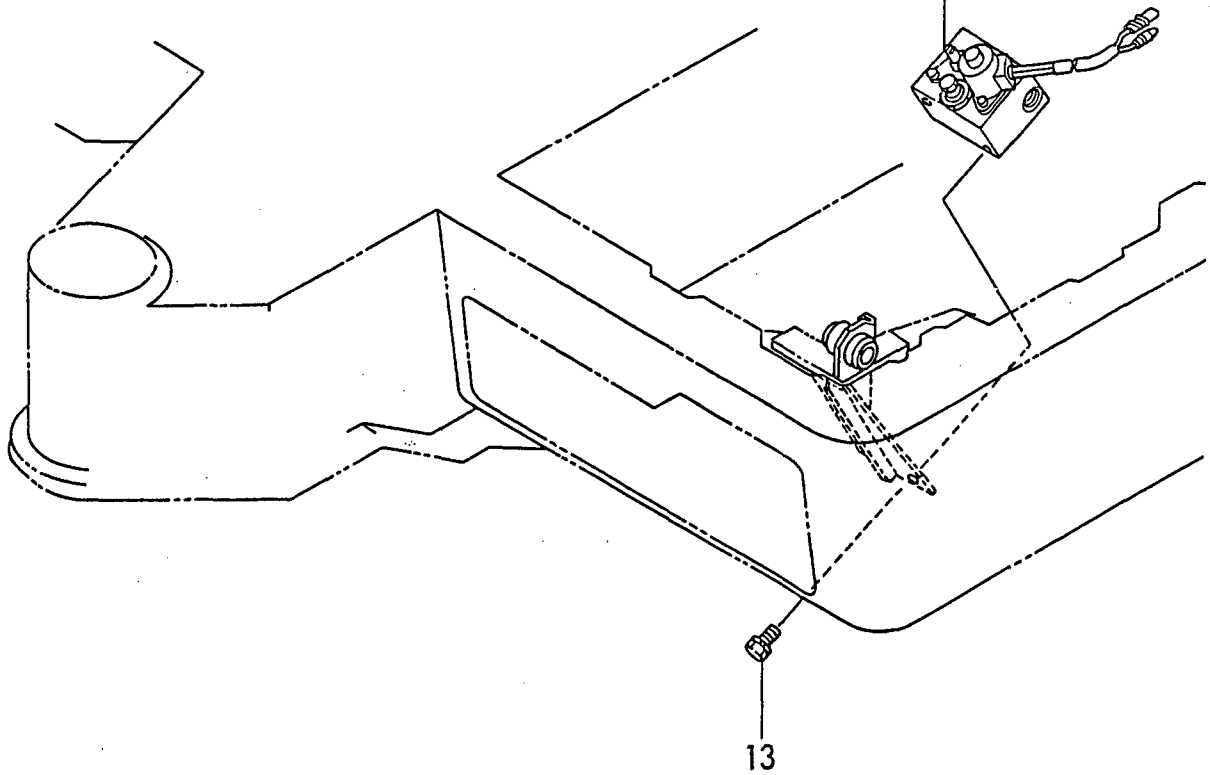
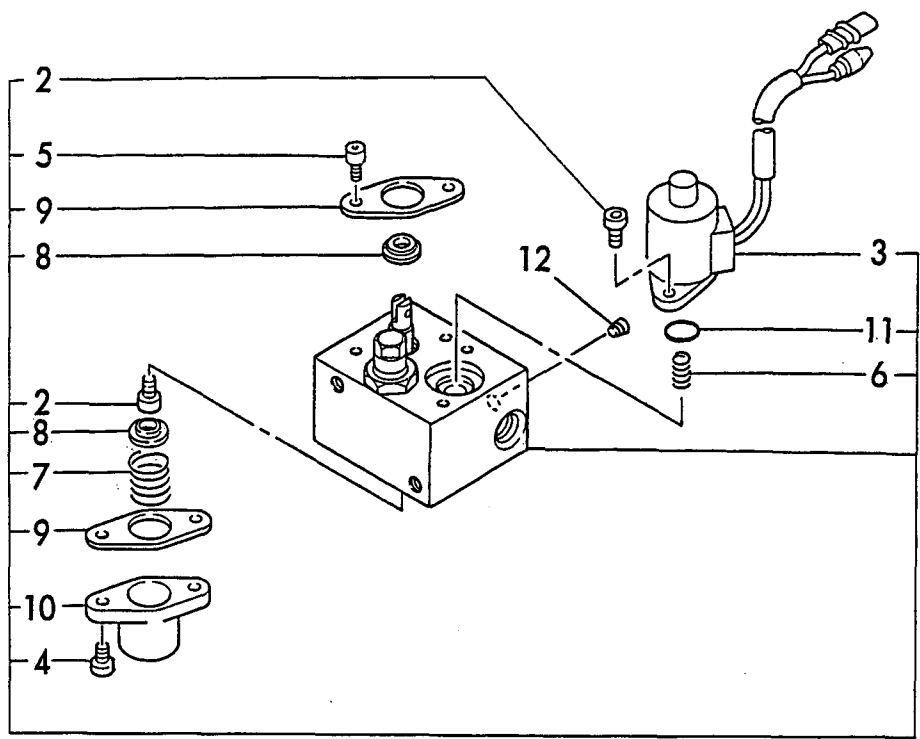
Fig. 37 REMOTE CONTROL VALVE (RIGHT)



× MARK PARTS: NOT SOLD SEPARATELY.

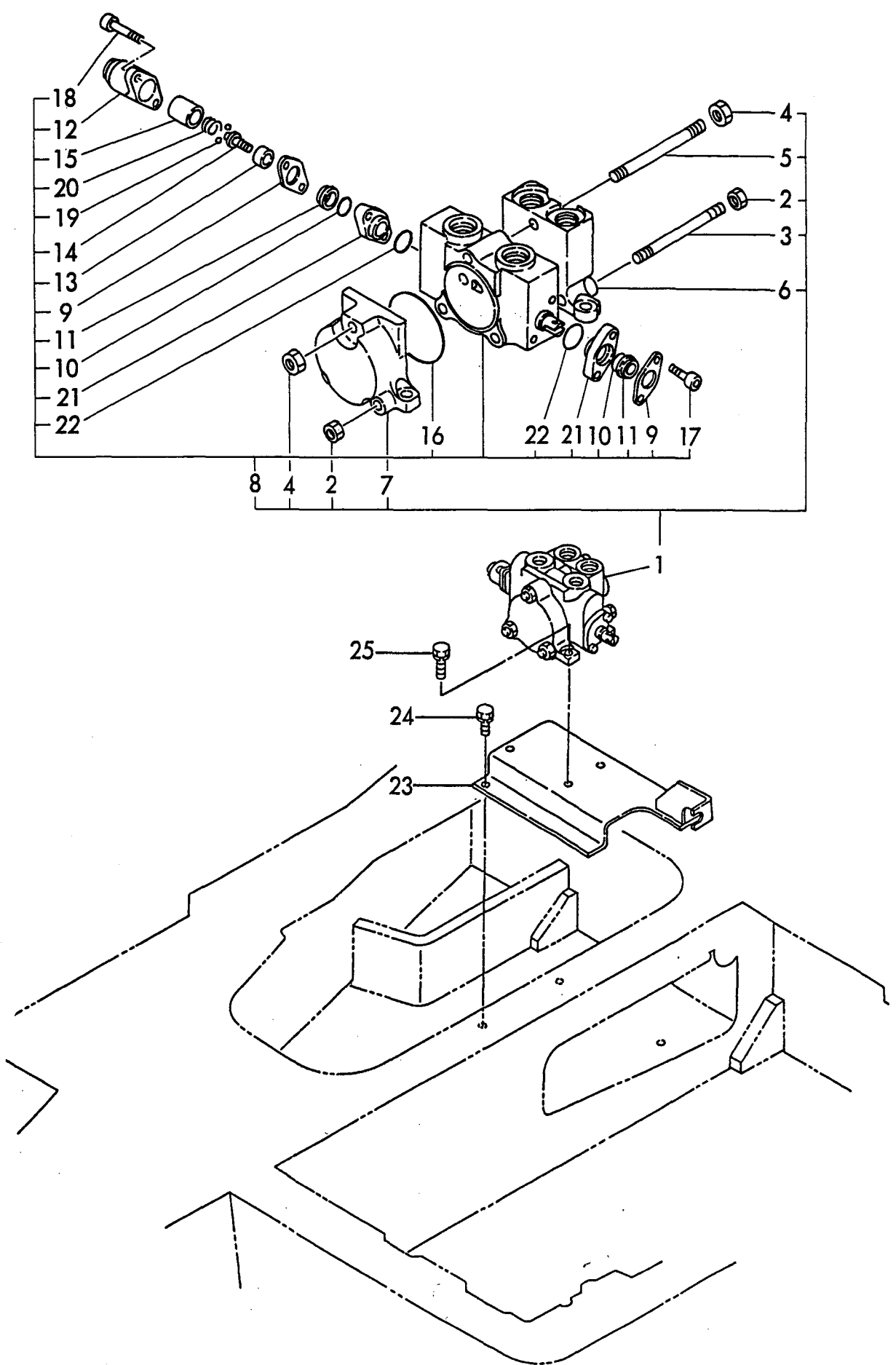
1,1,,172165-74703,, "VALVE ASSY, LOW-HIGH",1,1,,,,,,,,,,,,,  
1-1,1,,172165-74704,, "VALVE ASSY, LOW-  
HIGH",1,1,,,,,N,,72165387,\*1993.06,72165387,\*1993.06,,,,,,,,,I  
2,2,,172151-74420,, "BOLT M 4X 10",3,3,,,,,,,,,,,,,  
3,2,,172165-74710,, SOLENOID,1,1,,,,,,,,,,,,,  
4,2,,172165-74720,, "BOLT M5X16,HEX.SCKT.",2,2,,,,,,,,,,,,,  
5,2,,172165-74730,, "BOLT M5X8,HEX.SCKT.",2,2,,,,,,,,,,,,,  
6,2,,172165-74740,, SPRING,1,1,,,,,,,,,,,,,  
7,2,,172165-74760,, SPRING,1,1,,,,,,,,,,,,,  
8,2,,172165-74770,, PACKING,2,2,,,,,,,,,,,,,  
9,2,,172165-74780,, PLATE,2,2,,,,,,,,,,,,,  
10,2,,172165-74790,, COVER,1,1,,,,,,,,,,,,,  
11,2,,24311-000160,, "O-RING 1A P-16.0",1,1,,,,,,,,,,,,,  
12,2,,23871-010000,, "PLUG  
PT1/8,SCREW",1,1,,,,,W,,72165387,\*1993.06,72165387,\*1993.06,,,,,,,,,I  
13,1,,26013-080162,, "BOLT W/WASHER M8X16",2,2,,,,,,,,,,,,,

Fig. 38 LOW-HIGH VALVE



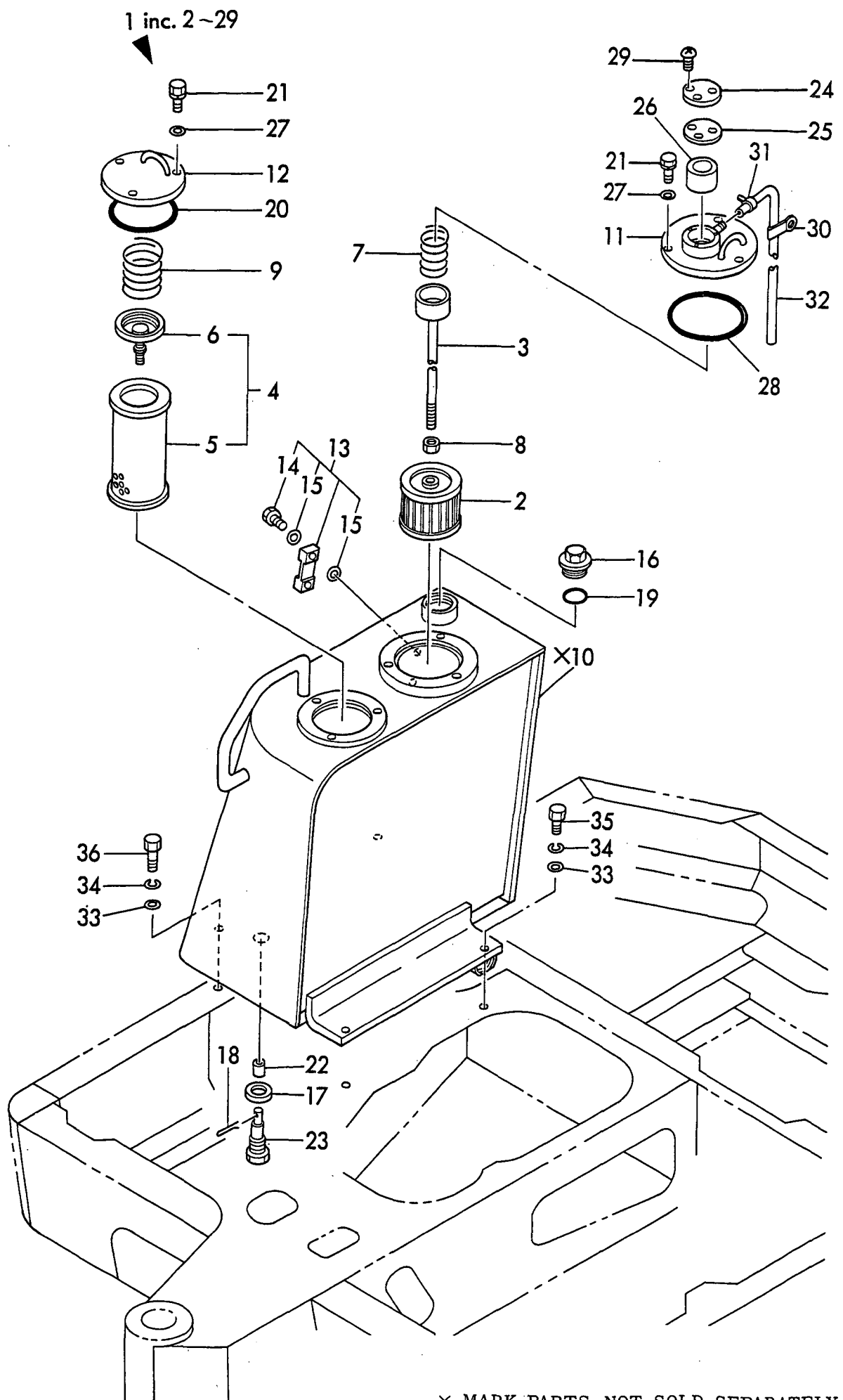
1,1,,172168-74710,, "VALVE ASSY,PTO",1,1,,,,,,,,,,,,,,,,,,,,,  
2,2,,26716-080002,, "NUT M 8",4,4,,,,,,,,,,,,,,,,,,,,,  
3,2,,172614-74410,, TIE-ROD,2,2,,,,,,,,,,,,,,,,,,,,,  
4,2,,26716-100002,, "NUT M10",2,2,,,,,,,,,,,,,,,,,,,,,  
5,2,,172168-74820,, "ROD, TIE",1,1,,,,,,,,,,,,,,,,,,,,,  
6,2,,172168-74810,, "SECTION ASSY., INLET",1,1,,,,,,,,,,,,,,,,,,,,,  
7,2,,933171-80420,, "SECTION, OUTLET",1,1,,,,,,,,,,,,,,,,,,,,,  
8,2,,172168-74800,, "SECTION SET, SPOOL",1,1,,,,,,,,,,,,,,,,,,,,,  
9,3,,172116-74190,, "PLATE, SEAL",2,2,,,,,,,,,,,,,,,,,,,,,  
10,3,,933171-80610,, O-RING,2,2,,,,,,,,,,,,,,,,,,,,,  
11,3,,933166-80520,, WIPER,2,2,,,,,,,,,,,,,,,,,,,,,  
12,3,,933166-80530,, CAP,1,1,,,,,,,,,,,,,,,,,,,,,  
13,3,,172168-74830,, SPACER,1,1,,,,,,,,,,,,,,,,,,,,,  
14,3,,172168-74840,, PIN,1,1,,,,,,,,,,,,,,,,,,,,,  
15,3,,172168-74850,, SLEEVE,1,1,,,,,,,,,,,,,,,,,,,,,  
16,3,,933171-80590,, O-RING,1,1,,,,,,,,,,,,,,,,,,,,,  
17,3,,172168-74860,, "BOLT, SOCKET HEAD",2,2,,,,,,,,,,,,,,,,,,,,,  
18,3,,172151-74290,, "BOLT, SOCKET HEAD",2,2,,,,,,,,,,,,,,,,,,,,,  
19,3,,172168-74870,, "BALL, STAINLESS STEEL",2,2,,,,,,,,,,,,,,,,,,,,,  
20,3,,172168-74880,, SPRING,1,1,,,,,,,,,,,,,,,,,,,,,  
21,3,,172312-74220,, SPACER,2,2,,,,,,,,,,,,,,,,,,,,,  
22,3,,172312-74230,, O-RING,2,2,,,,,,,,,,,,,,,,,,,,,  
23,1,,172168-74750,, "BRACKET COMPL.",1,1,,,,,,,,,,,,,,,,,,,,,  
23-1,1,,172174-74750,, "BRACKET ASSY",1,1,,,,,R,,72174AMA-1,M910001,72174AMA-  
1,M910001,,,,,,,,,,,,,  
24,1,,26013-100162,, "BOLT M10X 16",3,3,,,,,,,,,,,,,,,,,,,,,  
25,1,,26013-100302,, "BOLT M10X 30",3,3,,,,,,,,,,,,,,,,,,,,,

Fig. 39 P. T. O. VALVE



1,1,,772171-75100,, "RESERVOIR ASSY",1,1,,,,,,,,,,,,,  
1-1,1,,772174-75100,, "RESERVER ASSY",1,1,,,,,R,,72174AMA-1,M910001,72174AMA-  
1,M910001,,,,,,,,,  
2,2,,172137-73700,, "FILTER, SUCTION",1,1,,,,,,,,,,,,,  
3,2,,172124-73700,, "BAR,FILTER SUPPORT",1,1,,,,,,,,,,,,,  
3-1,2,,172174-73700,, "ROD ASSY,FTR.SUPPORT",1,1,,,,,R,,72174AMA-  
1,M910001,72174AMA-1,M910001,,,,,,,,,  
4,2,,172141-73750,, "FILTER ASSY, RETURN",1,1,,,,,,,,,,,,,  
5,3,,172141-73760,, "ELEMENT",1,1,,,,,,,,,,,,,  
6,3,,172141-73770,, "VALVE ASSY, BYPASS",1,1,,,,,,,,,,,,,  
7,2,,172112-75780,, "SPRING, STRAINER",1,1,,,,,,,,,,,,,  
7-1,2,,172159-73780,, "SPRING, SIDE CLUTCH",1,1,,,,,R,,72174AMA-  
1,M910001,72174AMA-1,M910001,,,,,,,,,  
8,2,,26716-100002,, "NUT M10",1,1,,,,,,,,,,,,,  
9,2,,933152-02710,, "SPRING, SIDE CLUTCH",1,1,,,,,,,,,,,,,  
9-1,2,,172159-73700,, "SPRING, SIDE CLUTCH",1,1,,,,,R,,72174AMA-  
1,M910001,72174AMA-1,M910001,,,,,,,,,  
11,2,,172171-75210,, "COVER CMP.,RESERVOIR",1,1,,,,,,,,,,,,,  
11-1,2,,172174-75210,, "COVER, RESRVER",1,1,,,,,R,,72174AMA-1,M910001,72174AMA-  
1,M910001,,,,,,,,,  
12,2,,172141-75430,, "COVER, INTAKE",1,1,,,,,,,,,,,,,  
12-1,2,,172159-75430,, "COVER, INTAKE",1,1,,,,,R,,72174AMA-1,M910001,72174AMA-  
1,M910001,,,,,,,,,  
13,2,,172122-75600,, "GAUGE, OIL LEVEL",1,1,,,,,,,,,,,,,  
14,3,,172122-75620,, "BOLT,2,2",,,,,,,,,,,,,,  
15,3,,172122-75630,, "GASKET,4,4",,,,,,,,,,,,,,  
16,2,,172116-75850,, "PLUG, OIL FEED",1,1,,,,,,,,,,,,,  
16-1,2,,172159-75850,, "PLUG, OIL FEED",1,1,,,,,R,,72174AMA-1,M910001,72174AMA-  
1,M910001,,,,,,,,,  
17,2,,22134-240000,, "WASHER 24",1,1,,,,,,,,,,,,,  
18,2,,22417-200160,, "COTTER PIN 2.0X16",1,1,,,,,,,,,,,,,  
19,2,,24311-000380,, "O-RING 1A P-38.0",1,1,,,,,,,,,,,,,  
20,2,,24321-001050,, "O-RING 1A G-105.0",1,1,,,,,,,,,,,,,  
21,2,,26013-080202,, "BOLT W/WASHER M8X20",6,6,,,,,,,,,,,,,  
22,2,,933171-23042,, "MAGNET",1,1,,,,,,,,,,,,,  
22-1,2,,172159-75550,, "MAGNET",1,1,,,,,R,,72174AMA-1,M910001,72174AMA-  
1,M910001,,,,,,,,,  
23,2,,933171-23062,, "PLUG 24, DRAIN",1,1,,,,,,,,,,,,,  
23-1,2,,172159-75720,, "PLUG 24, DRAIN",1,1,,,,,R,,72174AMA-1,M910001,72174AMA-  
1,M910001,,,,,,,,,  
24,2,,172165-75450,, "PLATE",1,1,,,,,,,,,,,,,  
24-1,2,,172174-75450,, "PLATE",1,1,,,,,R,,72174AMA-1,M910001,72174AMA-  
1,M910001,,,,,,,,,  
25,2,,172165-75460,, "GASKET",1,1,,,,,,,,,,,,,  
26,2,,172165-75480,, "ELEMENT",1,1,,,,,,,,,,,,,  
26-1,2,,172165-  
75481,, "ELEMENT",1,1,,,,,N,,72164068,\*1993.07,72164068,\*1993.07,,,,,,,,,I  
27,2,,22137-080000,, "WASHER 8, POLISHED",6,6,,,,,,,,,,,,,  
28,2,,24321-001150,, "O-RING 1A G-115.0",1,1,,,,,,,,,,,,,  
29,2,,26022-050102,, "SCREW M 5X 10",3,3,,,,,,,,,,,,,  
30,1,,172126-16540,, "CLAMP 10X70",1,1,,,,,,,,,,,,,  
31,1,,124766-59050,, "CLAMP 12",1,1,,,,,,,,,,,,,  
32,1,,172165-75490,, "HOSE",1,1,,,,,,,,,,,,,  
32-1,1,,172174-75490,, "HOSE",1,1,,,,,R,,72174AMA-1,M910001,72174AMA-  
1,M910001,,,,,,,,,  
33,1,,22137-140000,, "WASHER 14,POLISHED",4,4,,,,,,,,,,,,,  
34,1,,22217-140000,, "SPRING WASHER 14",4,4,,,,,,,,,,,,,  
35,1,,26116-140302,, "BOLT M14X 30 PLATED",2,2,,,,,,,,,,,,,  
36,1,,26116-140452,, "BOLT M14X 45 PLATED",2,2,,,,,,,,,,,,,

Fig. 40 HYD. OIL TANK



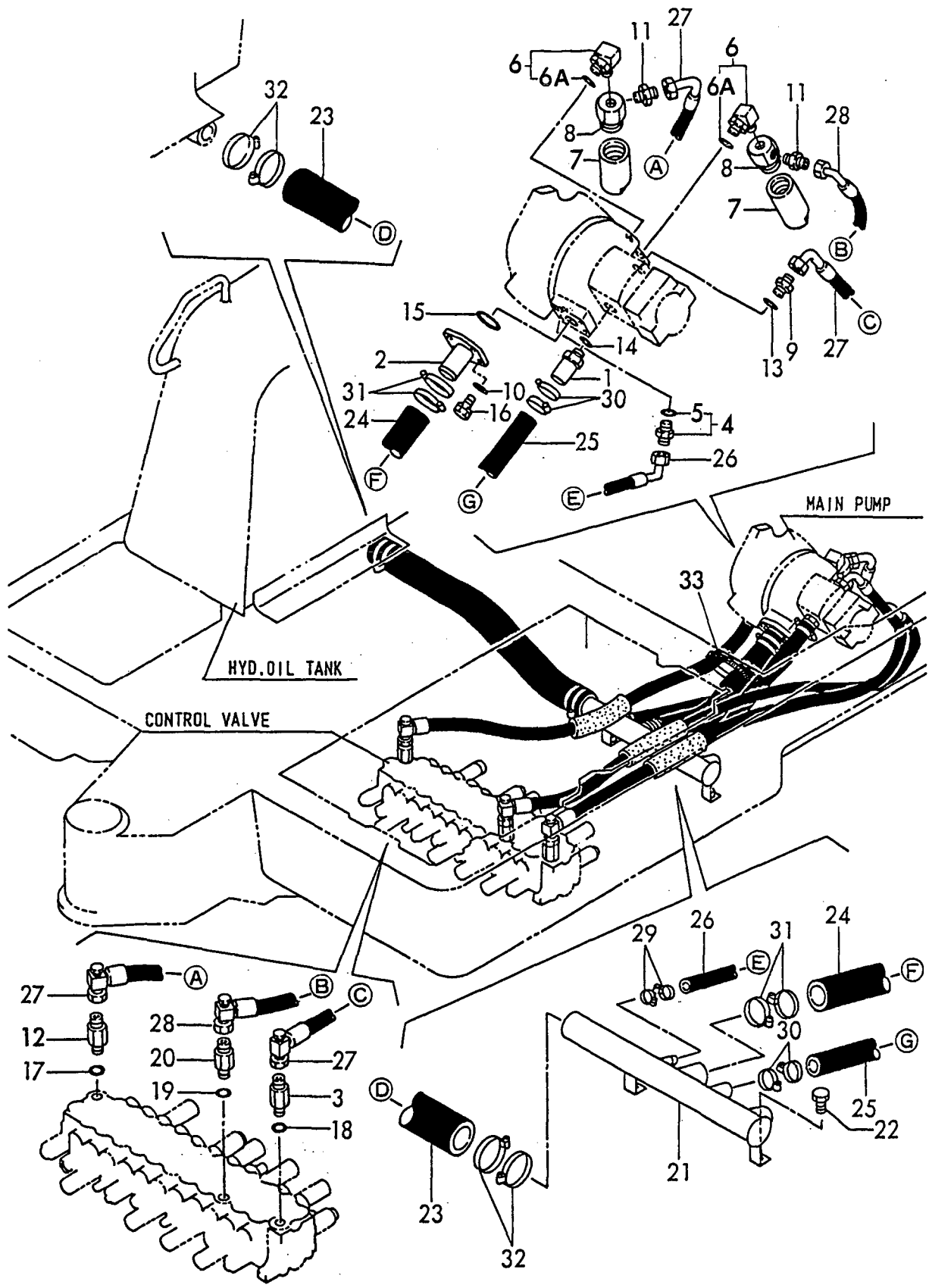
× MARK PARTS: NOT SOLD SEPARATELY.

1,1,,172142-76100,,CONNECTOR,1,1,,,,,,,,,,,,,  
1-1,1,,172161-76080,, "JOINT 3/4",1,1,,,,,R,,72174AMA-1,M910001,72174AMA-  
1,M910001,,,,,,,,,  
2,1,,172168-76100,, "FLANGE 32.5,ROUND",1,1,,,,,,,,,,,,,  
2-1,1,,172174-76100,, "FLANGE 32.5,ROUND",1,1,,,,,R,,72174AMA-1,M910001,72174AMA-  
1,M910001,,,,,,,,,  
3,1,,172142-76130,, "JOINT 7/8UN-1/4",1,1,,,,,,,,,,,,,  
3-1,1,,172174-76140,, "JOINT 7/8UN-1/4",1,1,,,,,R,,72174AMA-1,M910001,72174AMA-  
1,M910001,,,,,,,,,  
4,1,,172168-76160,, "CONNECTOR PF1/2-3/8",1,1,,,,,,,,,,,,,  
4-1,1,,172174-76200,, "CONNECTOR PF1/2-3/8",1,1,,,,,R,,72174AMA-  
1,M910001,72174AMA-1,M910001,,,,,,,,,  
5,2,,24315-000140,, "O-RING 1B P-14.0",1,1,,,,,,,,,,,,,  
6,1,,172168-76620,, "ELBOW,90&ADJUSTABLE",2,2,,,,,,,,,,,,,  
6-1,1,,172174-77100,, "CONNECTOR 1/2",2,2,,,,,R,,72174AMA-1,M910001,72174AMA-  
1,M910001,,,,,,,,,  
6A,2,,24315-000180,, "O-RING 1B P-18.0",2,2,,,,,,,,,,,,,  
7,1,,172165-76780,, BODY,2,2,,,,,,,,,,,,,  
7-1,1,,172174-77110,, BODY,2,2,,,,,R,,72174AMA-1,M910001,72174AMA-  
1,M910001,,,,,,,,,  
8,1,,172165-76790,, "CONNECTOR 1/4X1/2",2,2,,,,,,,,,,,,,  
8-1,1,,172174-77120,, "CONNECTOR 1/4X1/2",2,2,,,,,R,,72174AMA-1,M910001,72174AMA-  
1,M910001,,,,,,,,,  
9,1,,172112-77360,, "CONNECTOR PF1/2PF1/2",1,1,,,,,,,,,,,,,  
9-1,1,,172174-76370,, "CONNECTOR PF1/2PF1/2",1,1,,,,,R,,72174AMA-  
1,M910001,72174AMA-1,M910001,,,,,,,,,  
10,1,,22137-100000,, "WASHER 10,POLISHED",4,4,,,,,,,,,,,,,  
11,1,,23391-040000,, "JOINT RGI 1/2",2,2,,,,,,,,,,,,,  
12,1,,172168-76240,, "CONNECTOR UN7/8PF1/2",1,1,,,,,,,,,,,,,  
12-1,1,,172174-76260,, "CONNECTOR UN7/8PF1/2",1,1,,,,,R,,72174AMA-  
1,M910001,72174AMA-1,M910001,,,,,,,,,  
13,1,,24315-000180,, "O-RING 1B P-18.0",1,1,,,,,,,,,,,,,  
14,1,,24315-000240,, "O-RING 1B P-24.0",1,1,,,,,,,,,,,,,  
15,1,,24321-000400,, "O-RING 1A G-40.0",1,1,,,,,,,,,,,,,  
16,1,,26013-100252,, "BOLT W/WASHER M10X25",4,4,,,,,,,,,,,,,  
17,1,,933152-07400,, "O-RING (A)",1,1,,,,,,,,,,,,,  
17-1,1,,172159-76350,, "O-RING (A)",1,1,,,,,R,,72174AMA-1,M910001,72174AMA-  
1,M910001,,,,,,,,,  
18,1,,933152-07400,, "O-RING (A)",1,1,,,,,,,,,,,,,  
18-1,1,,172159-76350,, "O-RING (A)",1,1,,,,,R,,72174AMA-1,M910001,72174AMA-  
1,M910001,,,,,,,,,  
19,1,,933152-24120,, "O-RING (B)",1,1,,,,,,,,,,,,,  
19-1,1,,172161-76200,, "O-RING B",1,1,,,,,R,,72174AMA-1,M910001,72174AMA-  
1,M910001,,,,,,,,,  
20,1,,933166-24140,, CONNECTOR,1,1,,,,,,,,,,,,,  
20-1,1,,172174-76390,, "CONNECTOR PF1/2",1,1,,,,,R,,72174AMA-1,M910001,72174AMA-  
1,M910001,,,,,,,,,  
21,1,,172168-76500,, TUBE,1,1,,,,,,,,,,,,,  
21-1,1,,172174-76640,, TUBE,1,1,,,,,R,,72174AMA-1,M910001,72174AMA-  
1,M910001,,,,,,,,,  
22,1,,26013-100202,, "BOLT W/WASHER M10X20",2,2,,,,,,,,,,,,,  
23,1,,172168-78100,, "HOSE 44.5X57.5",1,1,,,,,,,,,,,,,  
23-1,1,,172174-78100,, HOSE,1,1,,,,,R,,72174AMA-1,M910001,72174AMA-  
1,M910001,,,,,,,,,  
24,1,,172171-78110,, "HOSE G820YY035",1,1,,,,,,,,,,,,,  
24-1,1,,172174-78110,, "HOSE G816YY035",1,1,,,,,R,,72174AMA-1,M910001,72174AMA-  
1,M910001,,,,,,,,,  
25,1,,172171-78120,, "HOSE G816YY039",1,1,,,,,,,,,,,,,  
25-1,1,,172174-78120,, "HOSE G816YY039",1,1,,,,,R,,72174AMA-1,M910001,72174AMA-  
1,M910001,,,,,,,,,  
26,1,,172171-78140,, "HOSE G608BY037S",1,1,,,,,,,,,,,,,  
26-1,1,,172174-78140,, "HOSE G608BY037S",1,1,,,,,R,,72174AMA-1,M910001,72174AMA-  
1,M910001,,,,,,,,,



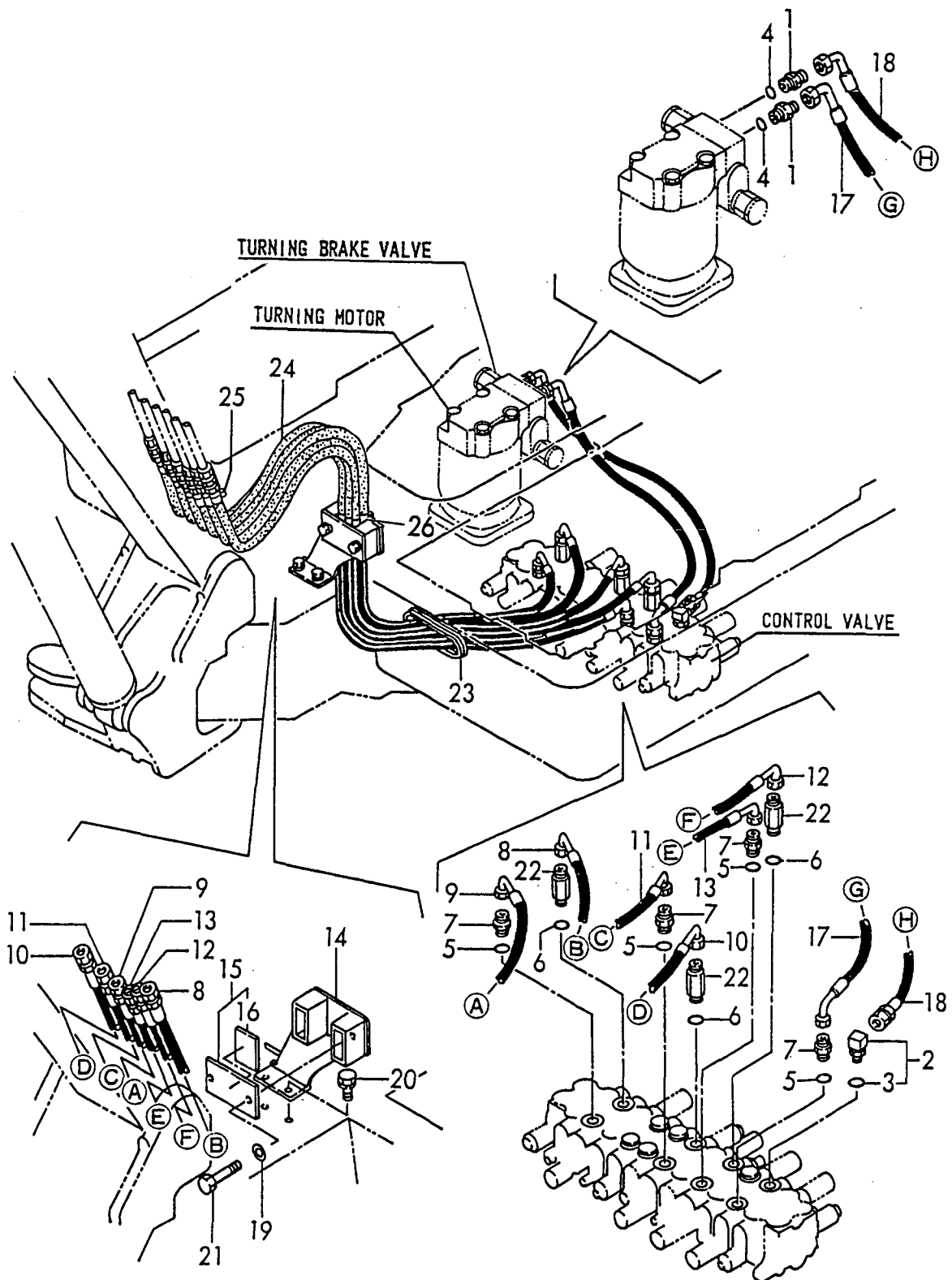
27,1,,172171-78150,, "HOSE G208CV125S",2,2,,,,,,,,,,,,,  
28,1,,172171-78160,, "HOSE G208CV115",1,1,,,,,,,,,,,,,  
29,1,,23000-022000,, "CLAMP 22",2,2,,,,,,,,,,,,,  
30,1,,23000-041000,, "CLAMP 41",4,4,,,,,,,,,,,,,  
31,1,,23000-048000,, "CLAMP 48",4,4,,,,,,,,,,,,,  
32,1,,23000-070000,, "CLAMP 70",4,4,,,,,,,,,,,,,  
33,1,,172122-79890,, "CLAMP 350",1,1,,,,,,,,,,,,,  
33-1,1,,172159-45160,, "CLAMP 350",1,1,,,,,R,,72174AMA-1,M910001,72174AMA-  
1,M910001,,,,,,,,,

Fig. 41 HYD. OIL PIPING (TANK ~ PUMP ~ VALVE)



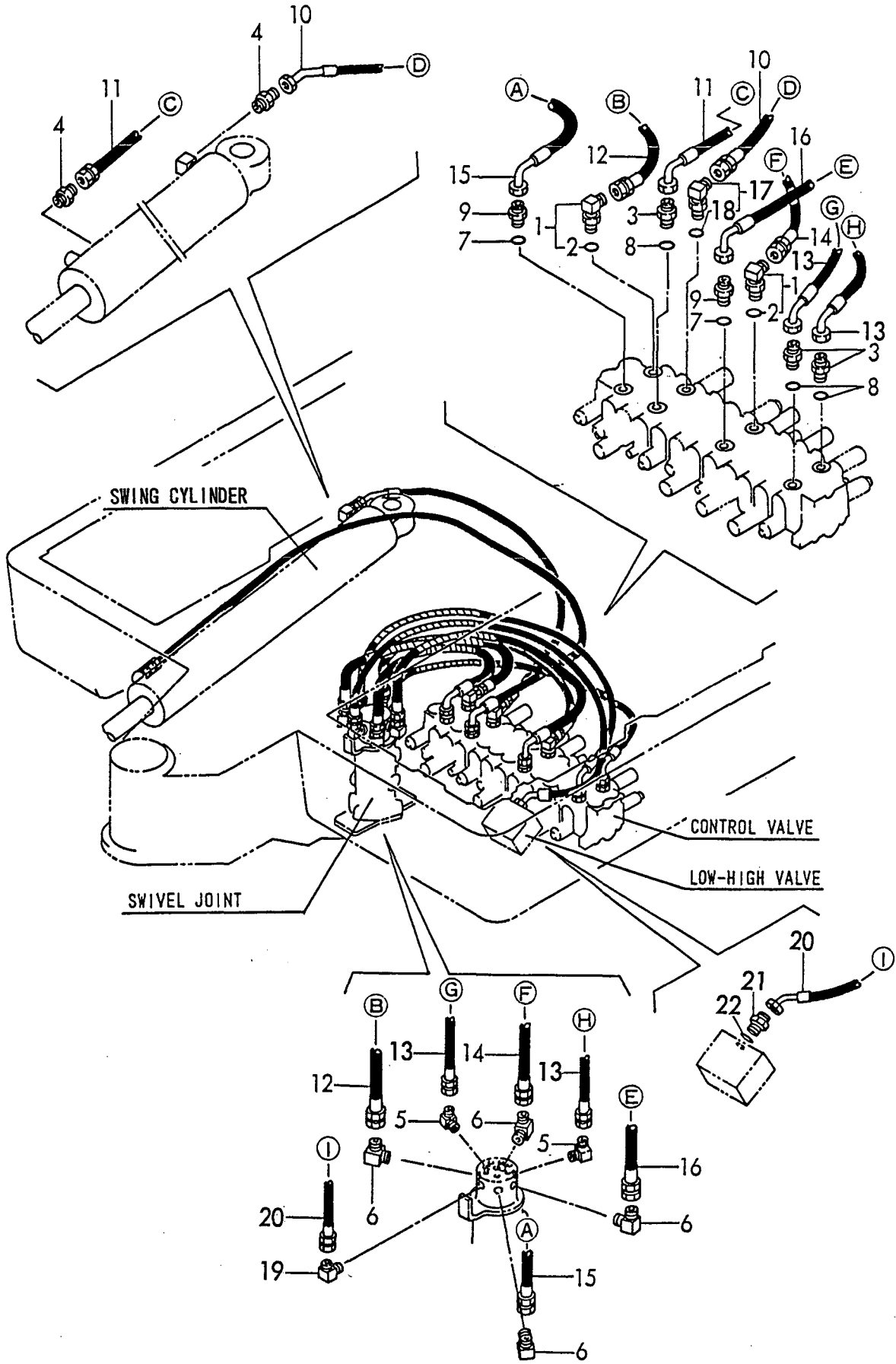
1,1,,172730-75140,,ADAPTOR,2,2,,,,,,,,,,,,,  
1-1,1,,172161-76070,,,"CONNECTOR PF3/8",2,2,,,,,R,,72174AMA-1,M910001,72174AMA-  
1,M910001,,,,,,,,,  
2,1,,172168-76130,,,"CONNECTOR UN3/4PF3/8",1,1,,,,,,,,,,,,,  
2-1,1,,172174-76150,,,"CONNECTOR UN3/4PF3/8",1,1,,,,,R,,72174AMA-  
1,M910001,72174AMA-1,M910001,,,,,,,,,  
3,2,,933152-24120,,,"O-RING (B)",1,1,,,,,,,,,,,,,  
3-1,2,,172161-76200,,,"O-RING B",1,1,,,,,R,,72174AMA-1,M910001,72174AMA-  
1,M910001,,,,,,,,,  
4,1,,24315-000140,,,"O-RING 1B P-14.0",2,2,,,,,,,,,,,,,  
5,1,,933152-24120,,,"O-RING (B)",4,4,,,,,,,,,,,,,  
5-1,1,,172161-76200,,,"O-RING B",4,4,,,,,R,,72174AMA-1,M910001,72174AMA-  
1,M910001,,,,,,,,,  
6,1,,933152-24120,,,"O-RING (B)",3,3,,,,,,,,,,,,,  
6-1,1,,172161-76200,,,"O-RING B",3,3,,,,,R,,72174AMA-1,M910001,72174AMA-  
1,M910001,,,,,,,,,  
7,1,,933155-08481,,,"CONNECTOR (A)",4,4,,,,,,,,,,,,,  
7-1,1,,172161-76240,,,"CONNECTOR 3/8",4,4,,,,,R,,72174AMA-1,M910001,72174AMA-  
1,M910001,,,,,,,,,  
8,1,,172171-78500,,HOSE,1,1,,,,,,,,,,,,,  
9,1,,172171-78510,,HOSE,1,1,,,,,,,,,,,,,  
10,1,,172171-78520,,HOSE,1,1,,,,,,,,,,,,,  
11,1,,172171-78530,,HOSE,1,1,,,,,,,,,,,,,  
12,1,,172171-78540,,HOSE,1,1,,,,,,,,,,,,,  
13,1,,172171-78550,,HOSE,1,1,,,,,,,,,,,,,  
14,1,,172168-78700,,,"SUPPORT ASSY, HOSE",1,1,,,,,,,,,,,,,  
14-1,1,,172174-78700,,SUPPORT,1,1,,,,,R,,72174AMA-1,M910001,72174AMA-  
1,M910001,,,,,,,,,  
15,1,,172168-78740,,,"COVER ASSY",1,1,,,,,,,,,,,,,  
15-1,1,,172174-78740,,,"COVER ASSY",1,1,,,,,R,,72174AMA-1,M910001,72174AMA-  
1,M910001,,,,,,,,,  
16,2,,172168-78760,,RUBBER,1,1,,,,,,,,,,,,,  
16-1,2,,172174-78760,,,"RUBBER, HOSE SUPPORT",1,1,,,,,R,,72174AMA-  
1,M910001,72174AMA-1,M910001,,,,,,,,,  
17,1,,172168-78920,,,"HOSE P208CC080S",1,1,,,,,,,,,,,,,  
17-1,1,,172174-78620,,,"HOSE P208CC080S",1,1,,,,,R,,72174AMA-1,M910001,72174AMA-  
1,M910001,,,,,,,,,  
18,1,,172168-78960,,,"HOSE P206BC080S",1,1,,,,,,,,,,,,,  
18-1,1,,172174-78600,,,"HOSE P206BC080S",1,1,,,,,R,,72174AMA-1,M910001,72174AMA-  
1,M910001,,,,,,,,,  
19,1,,22217-100000,,,"SPRING WASHER 10",2,2,,,,,,,,,,,,,  
20,1,,26013-100202,,,"BOLT W/WASHER M10X20",2,2,,,,,,,,,,,,,  
21,1,,26116-100652,,,"BOLT M10X 65 PLATED",2,2,,,,,,,,,,,,,  
22,1,,172142-76160,,,"JOINT 3/4UN-3/8",3,3,,,,,,,,,,,,,  
22-1,1,,172174-76190,,,"JOINT 3/4UN-3/8",3,3,,,,,R,,72174AMA-1,M910001,72174AMA-  
1,M910001,,,,,,,,,  
23,1,,172165-78150,,GROMMET,1,1,,,,,,,,,,,,,  
24,1,,172171-78900,,COVER,6,6,,,,,,,,,,,,,  
24-1,1,,172174-78930,,,"COVER, HOSE",6,6,,,,,R,,72174AMA-1,M910001,72174AMA-  
1,M910001,,,,,,,,,  
25,1,,23000-025000,,,"CLAMP 25",6,6,,,,,,,,,,,,,  
26,1,,172122-79920,,CLAMP,6,6,,,,,,,,,,,,,  
26-1,1,,172159-78080,,CLAMP,6,6,,,,,R,,72174AMA-1,M910001,72174AMA-  
1,M910001,,,,,,,,,

Fig. 42 HYD. OIL PIPING (VALVE ~ MOTOR, BOOM)



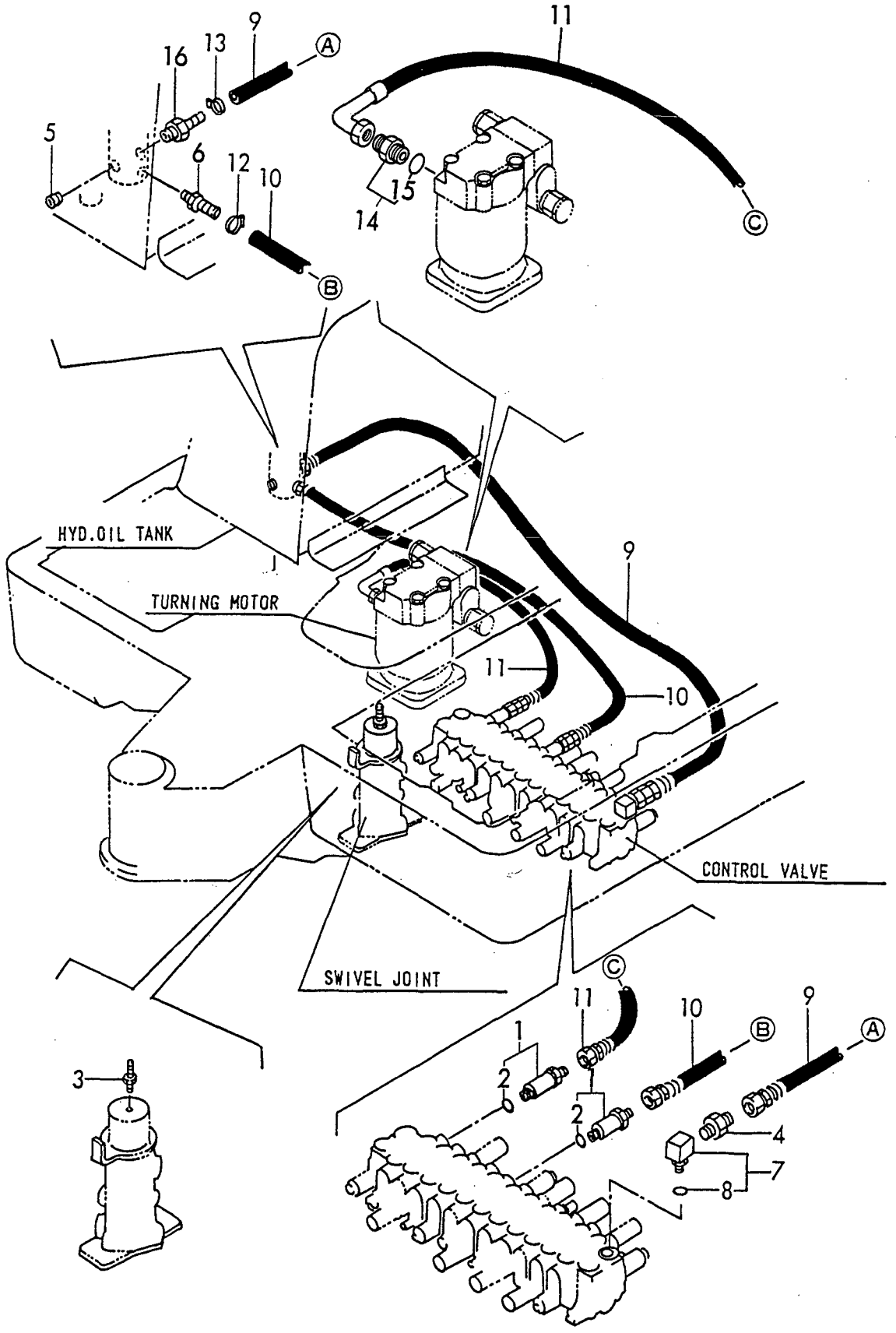
1,1,,172168-76130,, "CONNECTOR UN3/4PF3/8",2,2,,,,,,,,,,,,,  
1-1,1,,172174-76150,, "CONNECTOR UN3/4PF3/8",2,2,,,,,R,,72174AMA-  
1,M910001,72174AMA-1,M910001,,,,,,,,,  
2,2,,933152-24120,, "O-RING (B)",2,2,,,,,,,,,,,,,  
2-1,2,,172161-76200,, "O-RING B",2,2,,,,,R,,72174AMA-1,M910001,72174AMA-  
1,M910001,,,,,,,,,  
3,1,,172312-76220,, "CONNECTOR 1/4-3/4UN",3,3,,,,,,,,,,,,,  
3-1,1,,172161-76230,, "CONNECTOR 3/4-1/4",3,3,,,,,R,,72174AMA-1,M910001,72174AMA-  
1,M910001,,,,,,,,,  
4,1,,23391-020000,, "JOINT RGI1/4",2,2,,,,,,,,,,,,,  
5,1,,23393-020000,, "JOINT 90RGI1/4",2,2,,,,,,,,,,,,,  
6,1,,23393-030000,, "JOINT 90RGI 3/8",4,4,,,,,,,,,,,,,  
7,1,,933152-24120,, "O-RING (B)",2,2,,,,,,,,,,,,,  
7-1,1,,172161-76200,, "O-RING B",2,2,,,,,R,,72174AMA-1,M910001,72174AMA-  
1,M910001,,,,,,,,,  
8,1,,933152-24120,, "O-RING (B)",3,3,,,,,,,,,,,,,  
8-1,1,,172161-76200,, "O-RING B",3,3,,,,,R,,72174AMA-1,M910001,72174AMA-  
1,M910001,,,,,,,,,  
9,1,,933155-08481,, "CONNECTOR (A)",2,2,,,,,,,,,,,,,  
9-1,1,,172161-76240,, "CONNECTOR 3/8",2,2,,,,,R,,72174AMA-1,M910001,72174AMA-  
1,M910001,,,,,,,,,  
10,1,,172171-78180,, "HOSE P204BE127S",1,1,,,,,,,,,,,,,  
10-1,1,,172174-78180,, "HOSE P204BB127S",1,1,,,,,R,,72174AMA-1,M910001,72174AMA-  
1,M910001,,,,,,,,,  
11,1,,172168-78190,, "HOSE P204BC195S",1,1,,,,,,,,,,,,,  
11-1,1,,172174-78290,, "HOSE P204BC195S",1,1,,,,,R,,72174AMA-1,M910001,72174AMA-  
1,M910001,,,,,,,,,  
12,1,,172141-78240,, "HOSE",1,1,,,,,,,,,,,,,  
12-1,1,,172174-78430,, "HOSE",1,1,,,,,R,,72174AMA-1,M910001,72174AMA-  
1,M910001,,,,,,,,,  
13,1,,172168-78980,, "HOSE P204BC100S",2,2,,,,,,,,,,,,,  
13-1,1,,172174-78570,, "HOSE",2,2,,,,,R,,72174AMA-1,M910001,72174AMA-  
1,M910001,,,,,,,,,  
14,1,,172131-78600,, "HOSE",1,1,,,,,,,,,,,,,  
14-1,1,,172174-78470,, "HOSE",1,1,,,,,R,,72174AMA-1,M910001,72174AMA-  
1,M910001,,,,,,,,,  
15,1,,172168-78900,, "HOSE P206BC070S",1,1,,,,,,,,,,,,,  
15-1,1,,172174-78900,, "HOSE P206BC070S",1,1,,,,,R,,72174AMA-1,M910001,72174AMA-  
1,M910001,,,,,,,,,  
16,1,,172168-78940,, "HOSE P206BC089S",1,1,,,,,,,,,,,,,  
16-1,1,,172174-78650,, "HOSE P206BC089S",1,1,,,,,R,,72174AMA-1,M910001,72174AMA-  
1,M910001,,,,,,,,,  
17,1,,172168-76140,, "CONNECTOR UN3/4PF1/4",1,1,,,,,,,,,,,,,  
17-1,1,,172174-76160,, "CONNECTOR UN3/4PF1-4",1,1,,,,,R,,72174AMA-  
1,M910001,72174AMA-1,M910001,,,,,,,,,  
18,2,,933152-24120,, "O-RING (B)",1,1,,,,,,,,,,,,,  
18-1,2,,172161-76200,, "O-RING B",1,1,,,,,R,,72174AMA-1,M910001,72174AMA-  
1,M910001,,,,,,,,,  
19,1,,23393-020000,, "JOINT 90RGI1/4",1,1,,,,,,,,,,,,,  
20,1,,172168-78280,, "HOSE P204BE135",1,1,,,,,,,,,,,,,  
21,1,,172123-76120,, "CONNECTOR PF1/4",1,1,,,,,,,,,,,,,  
21-1,1,,172159-76120,, "CONNECTOR PF1/4",1,1,,,,,R,,72174AMA-1,M910001,72174AMA-  
1,M910001,,,,,,,,,  
22,1,,24315-000110,, "O-RING 1B P-11.0",1,1,,,,,,,,,,,,,

Fig. 43 HYD. OIL PIPING (VALVE ~ SWIVEL, SWING)



1,1,,172168-76150,, "CONNECTOR UN7/8PF1/2",2,2,,,,,,,,,,,,,  
1-1,1,,172174-76180,, "CONNECTOR UN7/8PF1/2",2,2,,,,,R,,72174AMA-  
1,M910001,72174AMA-1,M910001,,,,,,,,,  
2,2,,933152-07400,, "O-RING (A)",2,2,,,,,,,,,,,,,  
2-1,2,,172159-76350,, "O-RING (A)",2,2,,,,,R,,72174AMA-1,M910001,72174AMA-  
1,M910001,,,,,,,,,  
3,1,,172141-76220,, NIPPLE,1,1,,,,,,,,,,,,,  
3-1,1,,172161-76220,, NIPPLE,1,1,,,,,R,,72174AMA-1,M910001,72174AMA-  
1,M910001,,,,,,,,,  
4,1,,23391-060000,, "JOINT RGI 3/4",1,1,,,,,,,,,,,,,  
5,1,,23871-040000,, "PLUG PT1/2,SCREW",1,1,,,,,,,,,,,,,  
6,1,,172168-76170,, "CONNECTOR 12,ROUND",1,1,,,,,,,,,,,,,  
6-1,1,,172174-76220,, "CONNECTOR 12,ROUND",1,1,,,,,R,,72174AMA-  
1,M910001,72174AMA-1,M910001,,,,,,,,,  
7,1,,933171-24901,, CONNECTOR,1,1,,,,,,,,,,,,,  
7-1,1,,172174-76400,, CONNECTOR,1,1,,,,,R,,72174AMA-1,M910001,72174AMA-  
1,M910001,,,,,,,,,  
8,2,,933152-07400,, "O-RING (A)",1,1,,,,,,,,,,,,,  
8-1,2,,172159-76350,, "O-RING (A)",1,1,,,,,R,,72174AMA-1,M910001,72174AMA-  
1,M910001,,,,,,,,,  
9,1,,172168-78240,, "HOSE G612BY165S",1,1,,,,,,,,,,,,,  
9-1,1,,172174-78240,, "HOSE G612BY165S",1,1,,,,,R,,72174AMA-1,M910001,72174AMA-  
1,M910001,,,,,,,,,  
10,1,,172168-78260,, "HOSE G608BY112S",1,1,,,,,,,,,,,,,  
10-1,1,,172174-78360,, "HOSE G608BY112S",1,1,,,,,R,,72174AMA-1,M910001,72174AMA-  
1,M910001,,,,,,,,,  
11,1,,172168-78251,, "HOSE G608BC078S",1,1,,,,,,,,,,,,,  
11-1,1,,172174-78341,, "HOSE G608BC078S",1,1,,,,,R,,72174AMA-1,M910001,72174AMA-  
1,M910001,,,,,,,,,  
12,1,,23000-022000,, "CLAMP 22",1,1,,,,,,,,,,,,,  
13,1,,23000-035000,, "CLAMP 35",1,1,,,,,,,,,,,,,  
14,1,,172168-76160,, "CONNECTOR PF1/2-3/8",1,1,,,,,,,,,,,,,  
14-1,1,,172174-76200,, "CONNECTOR PF1/2-3/8",1,1,,,,,R,,72174AMA-  
1,M910001,72174AMA-1,M910001,,,,,,,,,  
15,2,,24315-000140,, "O-RING 1B P-14.0",1,1,,,,,,,,,,,,,  
16,1,,172165-76220,, NIPPLE,1,1,,,,,,,,,,,,,  
16-1,1,,172174-77140,, NIPPLE,1,1,,,,,R,,72174AMA-1,M910001,72174AMA-  
1,M910001,,,,,,,,,

Fig. 44 HYD. OIL PIPING (RETURN)

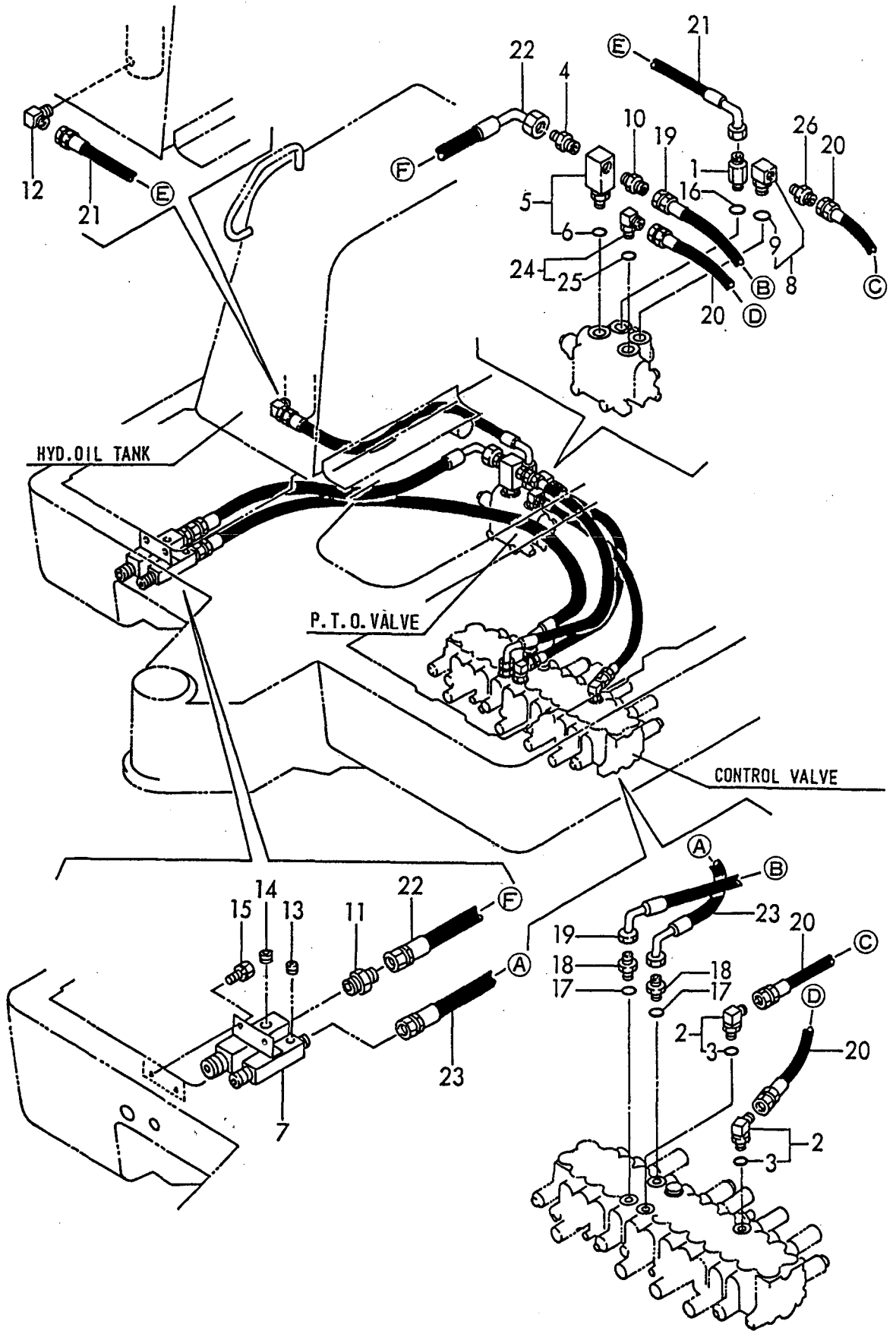




1,1,,172142-76130,, "JOINT 7/8UN-1/4",1,1,,,,,,,,,,,,,  
1-1,1,,172174-76140,, "JOINT 7/8UN-1/4",1,1,,,,,R,,72174AMA-1,M910001,72174AMA-  
1,M910001,,,,,,,,,  
2,1,,172168-76130,, "CONNECTOR UN3/4PF3/8",2,2,,,,,,,,,,,,,  
2-1,1,,172174-76150,, "CONNECTOR UN3/4PF3/8",2,2,,,,,R,,72174AMA-  
1,M910001,72174AMA-1,M910001,,,,,,,,,  
3,2,,933152-24120,, "O-RING (B)",2,2,,,,,,,,,,,,,  
3-1,2,,172161-76200,, "O-RING B",2,2,,,,,R,,72174AMA-1,M910001,72174AMA-  
1,M910001,,,,,,,,,  
4,1,,172633-76160,, "ADAPTER 1/2-3/4",1,1,,,,,,,,,,,,,  
4-1,1,,172174-76210,, "CONNECTOR 3/4-1/2",1,1,,,,,R,,72174AMA-1,M910001,72174AMA-  
1,M910001,,,,,,,,,  
5,1,,172168-76180,, "CONNECTOR UN3/4PT1/2",1,1,,,,,,,,,,,,,  
5-1,1,,172174-76230,, "CONNECTOR UN3/4PT1/2",1,1,,,,,R,,72174AMA-  
1,M910001,72174AMA-1,M910001,,,,,,,,,  
6,2,,933152-24120,, "O-RING (B)",1,1,,,,,,,,,,,,,  
6-1,2,,172161-76200,, "O-RING B",1,1,,,,,R,,72174AMA-1,M910001,72174AMA-  
1,M910001,,,,,,,,,  
7,1,,172168-76300,, "JOINT, 3RD",1,1,,,,,,,,,,,,,  
7-1,1,,172174-76290,, "JOINT, 3RD",1,1,,,,,R,,72174AMA-1,M910001,72174AMA-  
1,M910001,,,,,,,,,  
8,1,,172124-76350,, "CONNECTOR 1/2",1,1,,,,,,,,,,,,,  
8-1,1,,172174-76300,, "CONNECTOR 1/2",1,1,,,,,R,,72174AMA-1,M910001,72174AMA-  
1,M910001,,,,,,,,,  
9,2,,933152-07400,, "O-RING (A)",1,1,,,,,,,,,,,,,  
9-1,2,,172159-76350,, "O-RING (A)",1,1,,,,,R,,72174AMA-1,M910001,72174AMA-  
1,M910001,,,,,,,,,  
10,1,,23391-040000,, "JOINT RGI 1/2",1,1,,,,,,,,,,,,,  
11,1,,23391-060000,, "JOINT RGI 3/4",1,1,,,,,,,,,,,,,  
12,1,,23393-040000,, "JOINT 90RGI 1/4",1,1,,,,,,,,,,,,,  
13,1,,23871-030000,, "PLUG PT3/8,SCREW",1,1,,,,,,,,,,,,,  
14,1,,23871-040000,, "PLUG PT1/2,SCREW",1,1,,,,,,,,,,,,,  
15,1,,26013-100202,, "BOLT W/WASHER M10X20",2,2,,,,,,,,,,,,,  
16,1,,933152-07400,, "O-RING (A)",1,1,,,,,,,,,,,,,  
16-1,1,,172159-76350,, "O-RING (A)",1,1,,,,,R,,72174AMA-1,M910001,72174AMA-  
1,M910001,,,,,,,,,  
17,1,,933152-24120,, "O-RING (B)",2,2,,,,,,,,,,,,,  
17-1,1,,172161-76200,, "O-RING B",2,2,,,,,R,,72174AMA-1,M910001,72174AMA-  
1,M910001,,,,,,,,,  
18,1,,933166-24120,, "CONNECTOR PF1/2-10",2,2,,,,,,,,,,,,,  
18-1,1,,172174-76380,, "CONNECTOR PF1/2-10",2,2,,,,,R,,72174AMA-  
1,M910001,72174AMA-1,M910001,,,,,,,,,  
19,1,,172130-78220,, HOSE,1,1,,,,,,,,,,,,,  
19-1,1,,172174-78420,, "HOSE P208BC077S",1,1,,,,,R,,72174AMA-1,M910001,72174AMA-  
1,M910001,,,,,,,,,  
20,1,,172168-78230,, "HOSE P206BB070",2,2,,,,,,,,,,,,,  
20-1,1,,172174-78330,, "HOSE P206BB070",2,2,,,,,R,,72174AMA-1,M910001,72174AMA-  
1,M910001,,,,,,,,,  
21,1,,172168-78330,, "HOSE G608BC058",1,1,,,,,,,,,,,,,  
21-1,1,,172174-78210,, "HOSE G608BC058",1,1,,,,,R,,72174AMA-1,M910001,72174AMA-  
1,M910001,,,,,,,,,  
22,1,,172168-78340,, "HOSE G212BC068",1,1,,,,,,,,,,,,,  
22-1,1,,172174-78230,, "HOSE G212BC065",1,1,,,,,R,,72174AMA-1,M910001,72174AMA-  
1,M910001,,,,,,,,,  
23,1,,172168-78370,, "HOSE G208BC127",1,1,,,,,,,,,,,,,  
23-1,1,,172174-78170,, "HOSE G208BC127",1,1,,,,,R,,72174AMA-1,M910001,72174AMA-  
1,M910001,,,,,,,,,  
24,1,,172168-76130,, "CONNECTOR UN3/4PF3/8",1,1,,,,,,,,,,,,,  
24-1,1,,172174-76150,, "CONNECTOR UN3/4PF3/8",1,1,,,,,R,,72174AMA-  
1,M910001,72174AMA-1,M910001,,,,,,,,,  
25,2,,933152-24120,, "O-RING (B)",1,1,,,,,,,,,,,,,  
25-1,2,,172161-76200,, "O-RING B",1,1,,,,,R,,72174AMA-1,M910001,72174AMA-  
1,M910001,,,,,,,,,

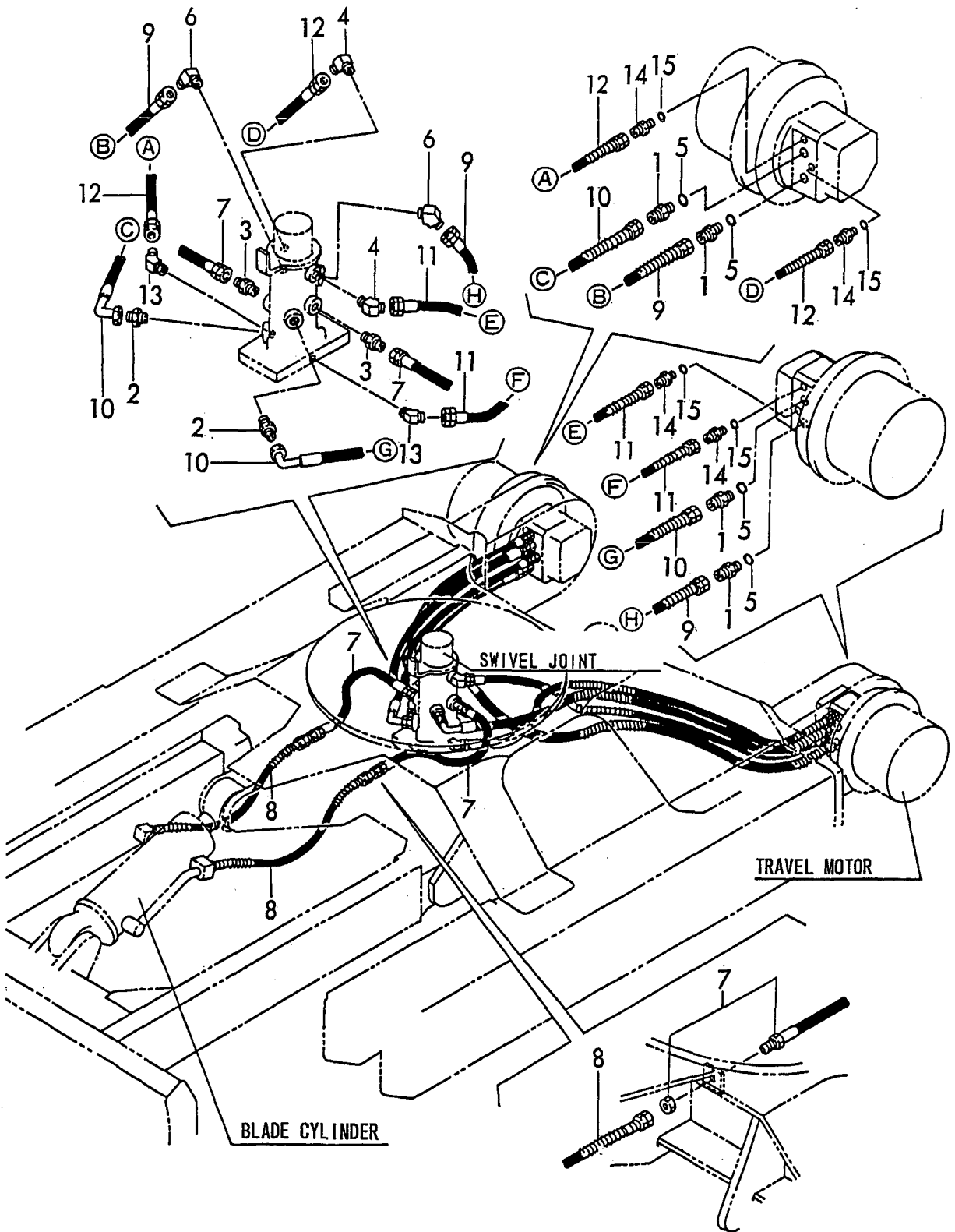
26,1,,172312-76180,, "NIPPLE 1/2X3/8",1,1,,,,,,,,,,,,,  
26-1,1,,172174-76240,, "NIPPLE 1/2X3/8",1,1,,,,,R,,72174AMA-1,M910001,72174AMA-  
1,M910001,,,,,,,,,

Fig. 45 HYD. OIL PIPING (P. T. O. VALVE, FRAME)



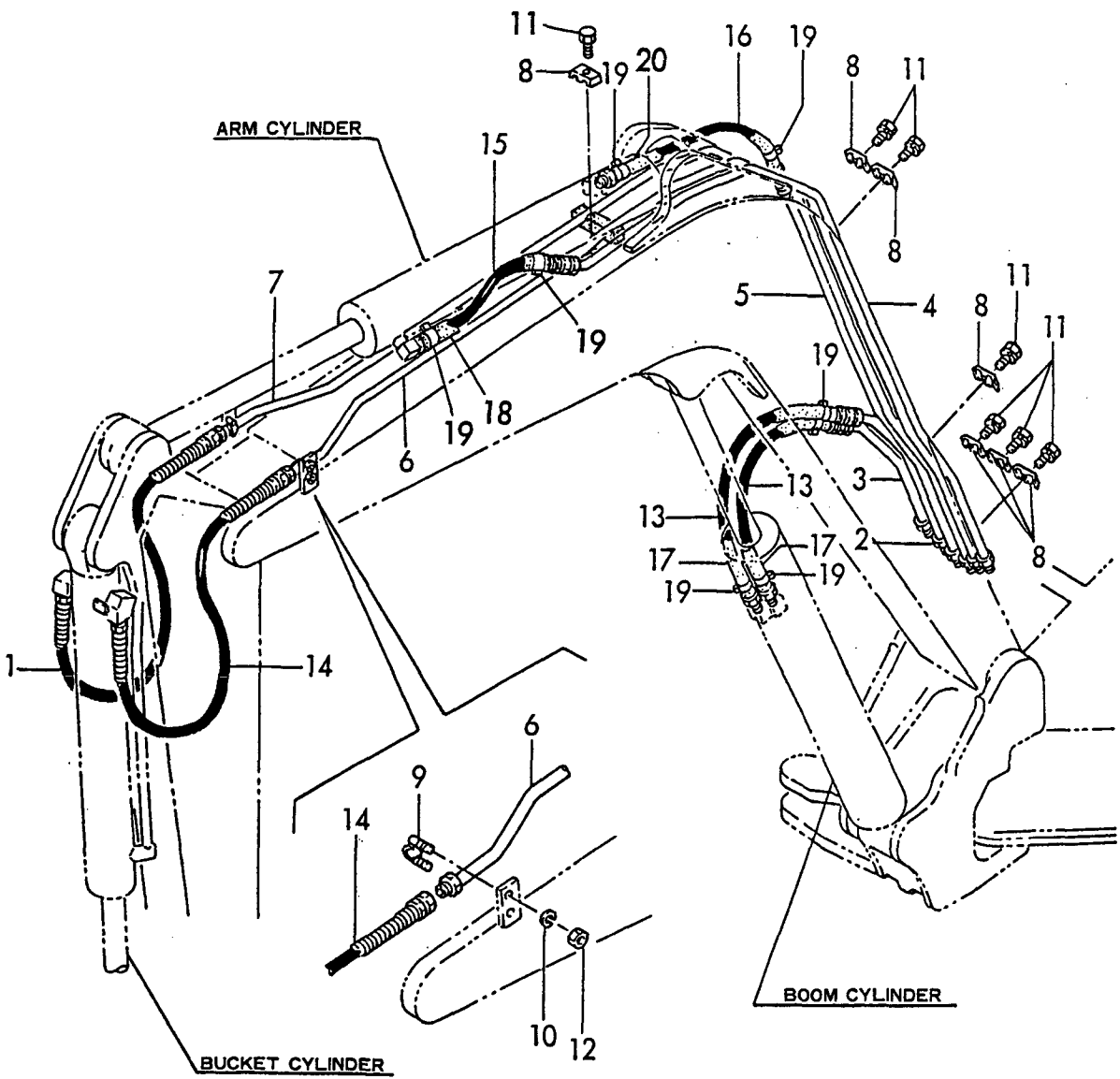
1,1,,933160-01370,, "CONNECTOR PF1/2-3/8",4,4,,,,,,,,,,,,,  
1-1,1,,172174-76530,, "CONNECTOR PF1/2-3/8",4,4,,,,,R,,72174AMA-  
1,M910001,72174AMA-1,M910001,,,,,,,,,  
2,1,,23391-030000,, "JOINT RGI 3/8",2,2,,,,,,,,,,,,,  
3,1,,23391-020000,, "JOINT RGI1/4",2,2,,,,,,,,,,,,,  
4,1,,23394-020000,, "JOINT 45RGI1/4",2,2,,,,,,,,,,,,,  
5,1,,24315-000180,, "O-RING 1B P-18.0",4,4,,,,,,,,,,,,,  
6,1,,23394-030000,, "JOINT 45RGI 3/8",2,2,,,,,,,,,,,,,  
7,1,,172168-78200,, "HOSE P204AB043",2,2,,,,,,,,,,,,,  
8,1,,172141-78460,,HOSE,2,2,,,,,,,,,,,,,  
8-1,1,,172161-78460,, "HOSE P204AB051W",2,2,,,,,R,,72174AMA-1,M910001,72174AMA-  
1,M910001,,,,,,,,,  
9,1,,172141-78470,,HOSE,2,2,,,,,,,,,,,,,  
9-1,1,,172161-78470,, "HOSE P206BB085W",2,2,,,,,R,,72174AMA-1,M910001,72174AMA-  
1,M910001,,,,,,,,,  
10,1,,172141-78480,,HOSE,2,2,,,,,,,,,,,,,  
10-1,1,,172161-78480,, "HOSE P206BC090W",2,2,,,,,R,,72174AMA-1,M910001,72174AMA-  
1,M910001,,,,,,,,,  
11,1,,172171-78850,, "HOSE P204BB085W",2,2,,,,,,,,,,,,,  
11-1,1,,172174-78690,, "HOSE P204BB085W",2,2,,,,,R,,72174AMA-1,M910001,72174AMA-  
1,M910001,,,,,,,,,  
12,1,,172171-78860,, "HOSE G704BB080W",2,2,,,,,,,,,,,,,  
12-1,1,,172174-78090,, "HOSE G704BB080W",2,2,,,,,R,,72174AMA-1,M910001,72174AMA-  
1,M910001,,,,,,,,,  
13,1,,23394-020000,, "JOINT 45RGI1/4",2,2,,,,,,,,,,,,,  
14,1,,172123-76120,, "CONNECTOR PF1/4",4,4,,,,,,,,,,,,,  
14-1,1,,172159-76120,, "CONNECTOR PF1/4",4,4,,,,,R,,72174AMA-1,M910001,72174AMA-  
1,M910001,,,,,,,,,  
15,1,,24315-000110,, "O-RING 1B P-11.0",4,4,,,,,,,,,,,,,

Fig. 46 HYD. OIL PIPING (TRAVEL)



1,1,,172171-78870,, "HOSE G206AB078W",1,1,,,,,,,,,,,,,  
1-1,1,,172174-78680,, "HOSE G206AB078W",1,1,,,,,R,,72174AMA-1,M910001,72174AMA-  
1,M910001,,,,,,,,,  
2,1,,172142-76500,, "PIPE(A), BOOM",1,1,,,,,,,,,,,,,  
2-1,1,,172174-76620,, "PIPE(A), BOOM",1,1,,,,,R,,72174AMA-1,M910001,72174AMA-  
1,M910001,,,,,,,,,  
3,1,,172142-76520,, "PIPE(B), BOOM",1,1,,,,,,,,,,,,,  
3-1,1,,172174-76820,, "PIPE(B), BOOM",1,1,,,,,R,,72174AMA-1,M910001,72174AMA-  
1,M910001,,,,,,,,,  
4,1,,172171-76540,, "PIPE(L), ARM",1,1,,,,,,,,,,,,,  
4-1,1,,172174-76540,, "PIPE(L), ARM",1,1,,,,,R,,72174AMA-1,M910001,72174AMA-  
1,M910001,,,,,,,,,  
5,1,,172171-76560,, "PIPE(R), ARM",1,1,,,,,,,,,,,,,  
5-1,1,,172174-76560,, "TUBE R COMP.,ARM",1,1,,,,,R,,72174AMA-1,M910001,72174AMA-  
1,M910001,,,,,,,,,  
6,1,,172171-76580,, "PIPE(L), BUCKET",1,1,,,,,,,,,,,,,  
6-1,1,,172174-76580,, "PIPE(L), BUCKET",1,1,,,,,R,,72174AMA-1,M910001,72174AMA-  
1,M910001,,,,,,,,,  
7,1,,172171-76600,, "PIPE(R), BUCKET",1,1,,,,,,,,,,,,,  
7-1,1,,172174-76600,, "PIPE(R), BUCKET",1,1,,,,,R,,72174AMA-1,M910001,72174AMA-  
1,M910001,,,,,,,,,  
8,1,,172141-76670,, "CLAMP, PIPE(A)",7,7,,,,,,,,,,,,,  
9,1,,172141-76680,, "CLAMP, PIPE(B)",2,2,,,,,,,,,,,,,  
9-1,1,,172161-76680,, "CLAMP,TUBE B COMP.",2,2,,,,,R,,72174AMA-  
1,M910001,72174AMA-1,M910001,,,,,,,,,  
10,1,,22217-080000,, "SPRING WASHER 8",4,4,,,,,,,,,,,,,  
11,1,,26013-100352,, "BOLT M10X 35",7,7,,,,,,,,,,,,,  
12,1,,26717-080002,, "NUT 8",4,4,,,,,,,,,,,,,  
13,1,,172312-78270,, HOSE,2,2,,,,,,,,,,,,,  
13-1,1,,172174-78440,, HOSE,2,2,,,,,R,,72174AMA-1,M910001,72174AMA-  
1,M910001,,,,,,,,,  
14,1,,172141-78440,, HOSE,1,1,,,,,,,,,,,,,  
14-1,1,,172161-78440,, "HOSE P206AB070W",1,1,,,,,R,,72174AMA-1,M910001,72174AMA-  
1,M910001,,,,,,,,,  
15,1,,172141-78400,, HOSE,1,1,,,,,,,,,,,,,  
15-1,1,,172161-78400,, "HOSE P206AB035",1,1,,,,,R,,72174AMA-1,M910001,72174AMA-  
1,M910001,,,,,,,,,  
16,1,,172141-78410,, HOSE,1,1,,,,,,,,,,,,,  
16-1,1,,172161-78410,, "HOSE P206AB042",1,1,,,,,R,,72174AMA-1,M910001,72174AMA-  
1,M910001,,,,,,,,,  
17,1,,172171-78910,, COVER,2,2,,,,,,,,,,,,,  
17-1,1,,172174-78940,, COVER,2,2,,,,,R,,72174AMA-1,M910001,72174AMA-  
1,M910001,,,,,,,,,  
18,1,,172137-79970,, COVER,1,1,,,,,,,,,,,,,  
18-1,1,,172161-79970,, "COVER 16X370,HOSE",1,1,,,,,R,,72174AMA-  
1,M910001,72174AMA-1,M910001,,,,,,,,,  
19,1,,23000-025000,, "CLAMP 25",8,8,,,,,,,,,,,,,  
20,1,,172143-79800,, "COVER, HOSE",1,1,,,,,,,,,,,,,  
20-1,1,,172161-79800,, "COVER 16X400,HOSE",1,1,,,,,R,,72174AMA-  
1,M910001,72174AMA-1,M910001,,,,,,,,,

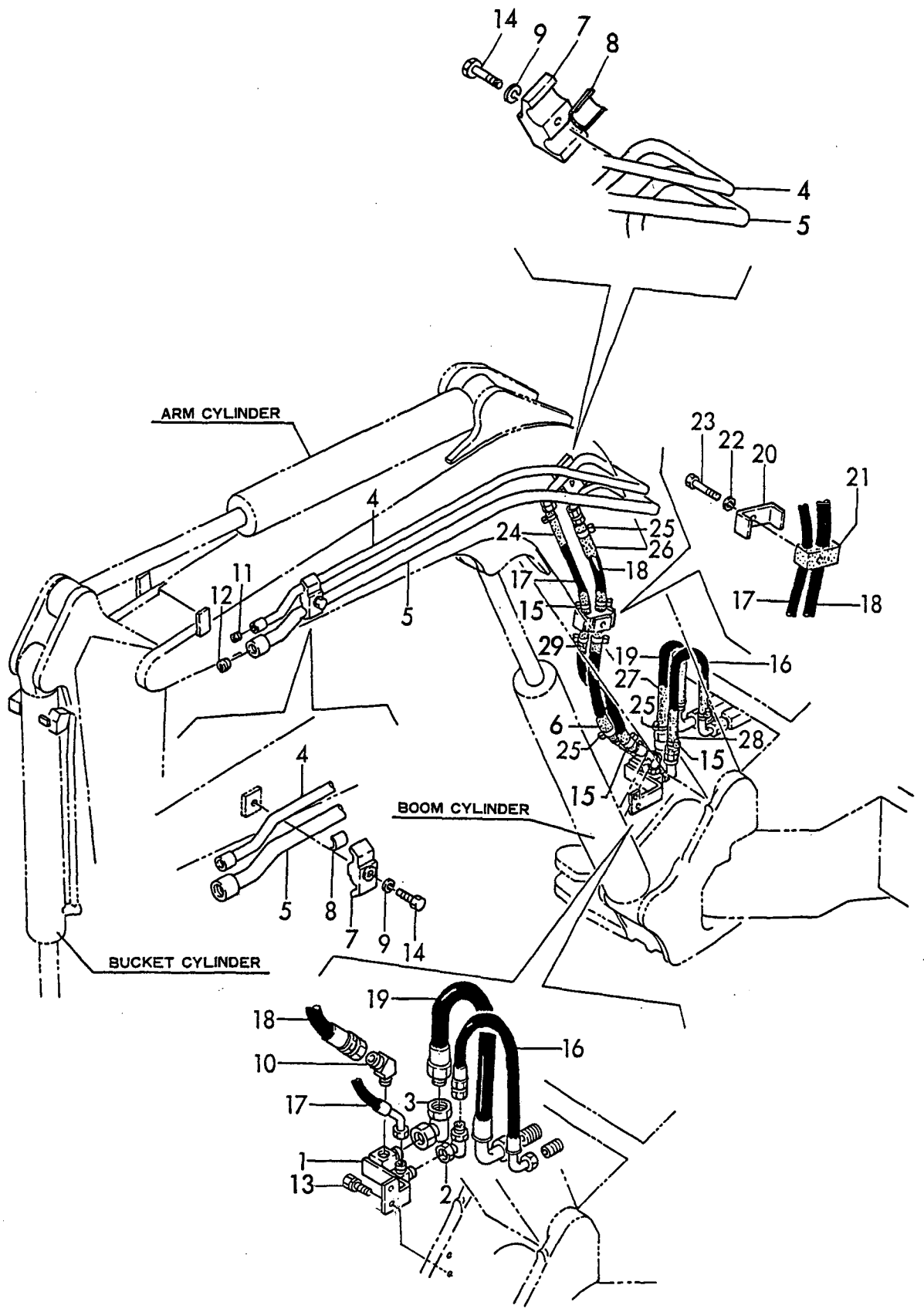
Fig. 47 HYD. OIL PIPING (BOOM)



1,1,,172171-76700,, "JOINT, 3RD",1,1,,,,,,,,,,,,,,,,,,,,,  
1-1,1,,172174-76700,, "JOINT, 3RD",1,1,,,,,R,,72174AMA-1,M910001,72174AMA-  
1,M910001,,,,,,,,,,,,,  
2,1,,172142-76270,, "JOINT 1/2, SWIVEL",1,1,,,,,,,,,,,,,,,,,,,,,  
2A,2,,172142-77040,, "SEAL  
SET",1,1,,,,,W,,72142389,\*1996.02,72142389,\*1996.02,,,,,,,,,,,,,I  
3,1,,172142-76280,, "JOINT 3/4, SWIVEL",1,1,,,,,,,,,,,,,,,,,,,,,  
3A,2,,172142-77050,, "SEAL  
SET",1,1,,,,,W,,72142389,\*1996.02,72142389,\*1996.02,,,,,,,,,,,,,I  
4,1,,172171-76830,, "TUBE B COMP.,3RD",1,1,,,,,,,,,,,,,,,,,,,,,  
4-1,1,,172174-76040,, "TUBE B COMP.,3RD",1,1,,,,,R,,72174AMA-1,M910001,72174AMA-  
1,M910001,,,,,,,,,,,,,  
5,1,,172171-76800,, "TUBE A COMP.,3RD",1,1,,,,,,,,,,,,,,,,,,,,,  
5-1,1,,172174-76060,, "TUBE A COMP.,3RD",1,1,,,,,R,,72174AMA-1,M910001,72174AMA-  
1,M910001,,,,,,,,,,,,,  
6,1,,172137-79950,, COVER,1,1,,,,,,,,,,,,,,,,,,,,,  
6-1,1,,172161-79950,, "COVER 24X650,HOSE",1,1,,,,,R,,72174AMA-1,M910001,72174AMA-  
1,M910001,,,,,,,,,,,,,  
7,1,,172125-76900,, CLAMP,2,2,,,,,,,,,,,,,,,,,,,,,  
8,1,,172141-76850,, "SPACER, CLAMP",2,2,,,,,,,,,,,,,,,,,,,,,  
8-1,1,,172161-76850,, "SPACER,CLAMP",2,2,,,,,R,,72174AMA-1,M910001,72174AMA-  
1,M910001,,,,,,,,,,,,,  
9,1,,22217-120000,, "WASHER 12,SPRING",2,2,,,,,,,,,,,,,,,,,,,,,  
10,1,,23394-060000,, "JOINT 45RGI3/4",1,1,,,,,,,,,,,,,,,,,,,,,  
11,1,,23871-040000,, "PLUG PT1/2,SCREW",1,1,,,,,,,,,,,,,,,,,,,,,  
12,1,,23871-060000,, "PLUG PT3/4,SCREW",1,1,,,,,,,,,,,,,,,,,,,,,  
13,1,,26013-100252,, "BOLT W/WASHER M10X25",2,2,,,,,,,,,,,,,,,,,,,,,  
14,1,,26116-120552,, "BOLT M12X 55 PLATED",2,2,,,,,,,,,,,,,,,,,,,,,  
15,1,,23000-035000,, "CLAMP 35",6,6,,,,,,,,,,,,,,,,,,,,,  
16,1,,172168-78450,, "HOSE G308BC092",1,1,,,,,,,,,,,,,,,,,,,,,  
16-1,1,,172174-78270,, "HOSE G308BC092",1,1,,,,,R,,72174AMA-1,M910001,72174AMA-  
1,M910001,,,,,,,,,,,,,  
17,1,,172142-78500,, HOSE,1,1,,,,,,,,,,,,,,,,,,,,,  
17-1,1,,172174-78450,, HOSE,1,1,,,,,R,,72174AMA-1,M910001,72174AMA-  
1,M910001,,,,,,,,,,,,,  
18,1,,172142-78510,, HOSE,1,1,,,,,,,,,,,,,,,,,,,,,  
18-1,1,,172174-78460,, HOSE,1,1,,,,,R,,72174AMA-1,M910001,72174AMA-  
1,M910001,,,,,,,,,,,,,  
19,1,,172142-78850,, HOSE,1,1,,,,,,,,,,,,,,,,,,,,,  
19-1,1,,172174-78850,, "HOSE G312BC082",1,1,,,,,R,,72174AMA-1,M910001,72174AMA-  
1,M910001,,,,,,,,,,,,,  
20,1,,172142-78950,, "CLAMP(A), HOSE",1,1,,,,,,,,,,,,,,,,,,,,,  
20-1,1,,172174-78950,, "CLAMP(A), HOSE",1,1,,,,,R,,72174AMA-1,M910001,72174AMA-  
1,M910001,,,,,,,,,,,,,  
21,1,,172142-78960,, "CLAMP(B), HOSE",1,1,,,,,,,,,,,,,,,,,,,,,  
22,1,,22217-120000,, "WASHER 12,SPRING",1,1,,,,,,,,,,,,,,,,,,,,,  
23,1,,26116-120602,, "BOLT M12X 60 PLATED",1,1,,,,,,,,,,,,,,,,,,,,,  
24,1,,172142-78780,, "COVER, HOSE",1,1,,,,,,,,,,,,,,,,,,,,,  
24-1,1,,172174-78970,, "COVER, HOSE",1,1,,,,,R,,72174AMA-1,M910001,72174AMA-  
1,M910001,,,,,,,,,,,,,  
25,1,,23000-041000,, "CLAMP 41",6,6,,,,,,,,,,,,,,,,,,,,,  
26,1,,172142-78810,, "COVER 24-400, HOSE",1,1,,,,,,,,,,,,,,,,,,,,,  
26-1,1,,172174-78980,, "COVER 24-400, HOSE",1,1,,,,,R,,72174AMA-  
1,M910001,72174AMA-1,M910001,,,,,,,,,,,,,  
27,1,,172142-78820,, "COVER 24-780, HOSE",1,1,,,,,,,,,,,,,,,,,,,,,  
27-1,1,,172174-78990,, "COVER 24-780, HOSE",1,1,,,,,R,,72174AMA-  
1,M910001,72174AMA-1,M910001,,,,,,,,,,,,,  
28,1,,172151-79410,, HOSE,1,1,,,,,,,,,,,,,,,,,,,,,  
28-1,1,,172174-78890,, "COVER, HOSE",1,1,,,,,R,,72174AMA-1,M910001,72174AMA-  
1,M910001,,,,,,,,,,,,,  
29,1,,172142-78790,, "COVER 20-600, HOSE",1,1,,,,,,,,,,,,,,,,,,,,,  
29-1,1,,172161-79790,, "COVER 20X600,HOSE",1,1,,,,,R,,72174AMA-  
1,M910001,72174AMA-1,M910001,,,,,,,,,,,,,



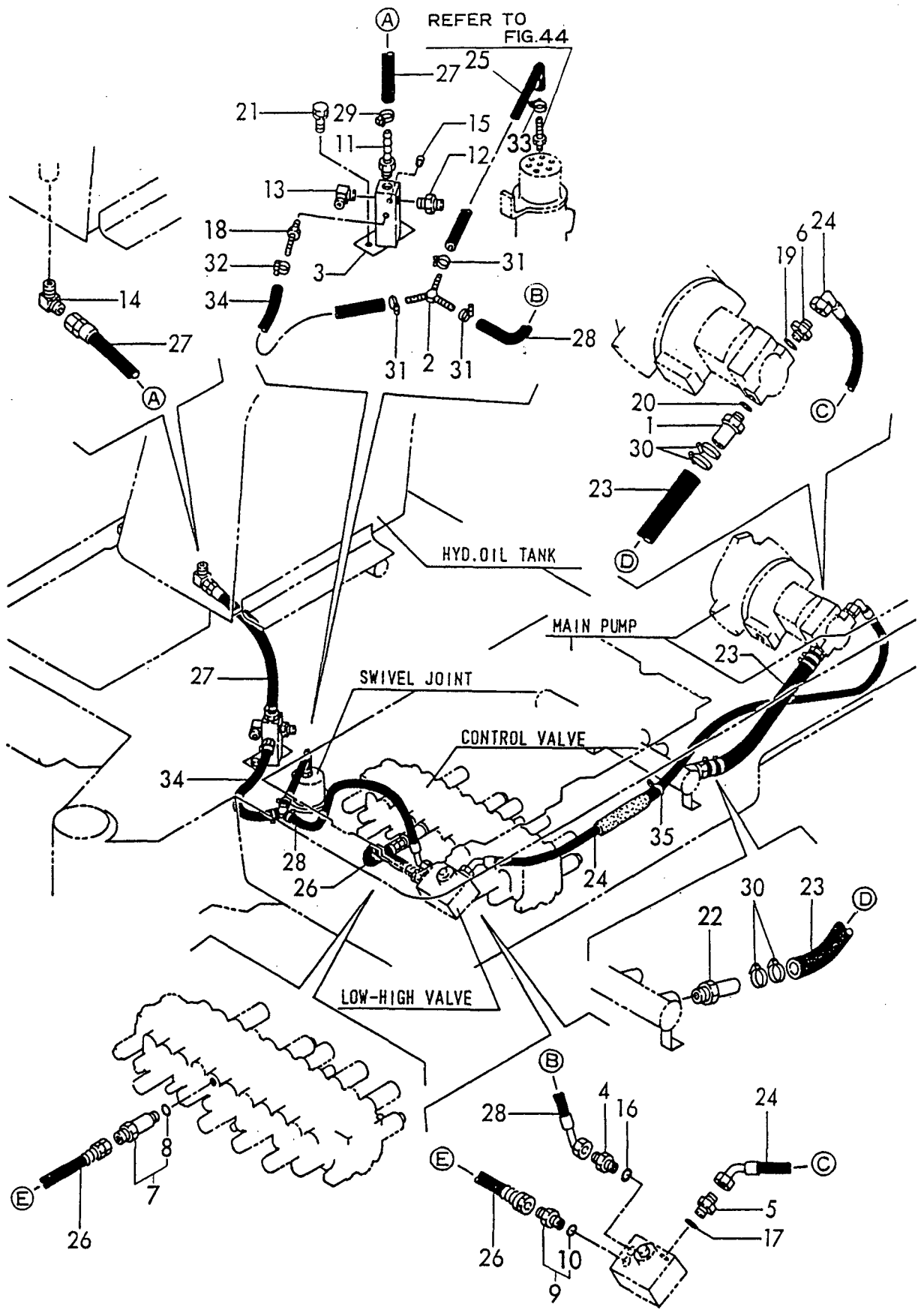
Fig. 48 HYD. OIL PIPING (P. T. O. VALVE, BOOM)



1,1,,172156-76100,, "JOINT PF1/2-19",1,1,,,,,,,,,,,,,  
1-1,1,,172174-76090,, "JOINT PF1/2-19",1,1,,,,,R,,72174AMA-1,M910001,72174AMA-  
1,M910001,,,,,,,,,  
2,1,,172148-76110,, "JOINT, HOSE",1,1,,,,,,,,,,,,,  
2-1,1,,172174-76080,, "JOINT, HOSE",1,1,,,,,R,,72174AMA-1,M910001,72174AMA-  
1,M910001,,,,,,,,,  
3,1,,172168-76110,, "JOINT ASSY",1,1,,,,,,,,,,,,,  
3-1,1,,172174-76110,, "JOINT COMPL.",1,1,,,,,R,,72174AMA-1,M910001,72174AMA-  
1,M910001,,,,,,,,,  
4,1,,172123-76120,, "CONNECTOR PF1/4",1,1,,,,,,,,,,,,,  
4-1,1,,172159-76120,, "CONNECTOR PF1/4",1,1,,,,,R,,72174AMA-1,M910001,72174AMA-  
1,M910001,,,,,,,,,  
5,1,,172157-76150,, "CONNECTOR 3/8-1/4",1,1,,,,,,,,,,,,,  
5-1,1,,172174-76170,, "CONNECTOR 3/8-1/4",1,1,,,,,R,,72174AMA-1,M910001,72174AMA-  
1,M910001,,,,,,,,,  
6,1,,172157-76150,, "CONNECTOR 3/8-1/4",1,1,,,,,,,,,,,,,  
6-1,1,,172174-76170,, "CONNECTOR 3/8-1/4",1,1,,,,,R,,72174AMA-1,M910001,72174AMA-  
1,M910001,,,,,,,,,  
7,1,,172168-76150,, "CONNECTOR UN7/8PF1/2",1,1,,,,,,,,,,,,,  
7-1,1,,172174-76180,, "CONNECTOR UN7/8PF1/2",1,1,,,,,R,,72174AMA-  
1,M910001,72174AMA-1,M910001,,,,,,,,,  
8,2,,933152-07400,, "O-RING (A)",1,1,,,,,,,,,,,,,  
8-1,2,,172159-76350,, "O-RING (A)",1,1,,,,,R,,72174AMA-1,M910001,72174AMA-  
1,M910001,,,,,,,,,  
9,1,,172168-76160,, "CONNECTOR PF1/2-3/8",1,1,,,,,,,,,,,,,  
9-1,1,,172174-76200,, "CONNECTOR PF1/2-3/8",1,1,,,,,R,,72174AMA-  
1,M910001,72174AMA-1,M910001,,,,,,,,,  
10,2,,24315-000140,, "O-RING 1B P-14.0",1,1,,,,,,,,,,,,,  
11,1,,172165-76270,, NIPPLE,1,1,,,,,,,,,,,,,  
12,1,,23391-020000,, "JOINT RGI1/4",1,1,,,,,,,,,,,,,  
13,1,,23393-020000,, "JOINT 90RGI1/4",1,1,,,,,,,,,,,,,  
14,1,,23393-030000,, "JOINT 90RGI 3/8",1,1,,,,,,,,,,,,,  
15,1,,23871-020000,, "PLUG PT1/4,SCREW",1,1,,,,,,,,,,,,,  
16,1,,24315-000110,, "O-RING 1B P-11.0",1,1,,,,,,,,,,,,,  
17,1,,24315-000140,, "O-RING 1B P-14.0",1,1,,,,,,,,,,,,,  
18,1,,172141-76220,, NIPPLE,1,1,,,,,,,,,,,,,  
18-1,1,,172161-76220,, NIPPLE,1,1,,,,,R,,72174AMA-1,M910001,72174AMA-  
1,M910001,,,,,,,,,  
19,1,,24315-000140,, "O-RING 1B P-14.0",1,1,,,,,,,,,,,,,  
20,1,,24315-000180,, "O-RING 1B P-18.0",1,1,,,,,,,,,,,,,  
21,1,,26013-100202,, "BOLT W/WASHER M10X20",2,2,,,,,,,,,,,,,  
22,1,,172165-76220,, NIPPLE,1,1,,,,,,,,,,,,,  
22-1,1,,172174-76250,, NIPPLE,1,1,,,,,R,,72174AMA-1,M910001,72174AMA-  
1,M910001,,,,,,,,,  
23,1,,172171-78130,, "HOSE G812YY035",1,1,,,,,,,,,,,,,  
23-1,1,,172174-78130,, "HOSE G812YY035",1,1,,,,,R,,72174AMA-1,M910001,72174AMA-  
1,M910001,,,,,,,,,  
24,1,,172168-78170,, "HOSE P204CE140",1,1,,,,,,,,,,,,,  
24-1,1,,172174-78770,, "HOSE P204CE140",1,1,,,,,R,,72174AMA-1,M910001,72174AMA-  
1,M910001,,,,,,,,,  
25,1,,172148-78190,, HOSE,1,1,,,,,,,,,,,,,  
25-1,1,,172174-78800,, HOSE,1,1,,,,,R,,72174AMA-1,M910001,72174AMA-  
1,M910001,,,,,,,,,  
26,1,,172168-78270,, "HOSE G608BB026",1,1,,,,,,,,,,,,,  
26-1,1,,172174-78810,, "HOSE G608BB026",1,1,,,,,R,,72174AMA-1,M910001,72174AMA-  
1,M910001,,,,,,,,,  
27,1,,172168-78400,, "HOSE G803BY050",1,1,,,,,,,,,,,,,  
27-1,1,,172174-78820,, "HOSE G803BY050",1,1,,,,,R,,72174AMA-1,M910001,72174AMA-  
1,M910001,,,,,,,,,  
28,1,,172168-78890,, "HOSE G804EY050",1,1,,,,,,,,,,,,,  
28-1,1,,172174-78880,, "HOSE G804EY050",1,1,,,,,R,,72174AMA-1,M910001,72174AMA-  
1,M910001,,,,,,,,,  
29,1,,23000-016000,, "CLAMP 16",1,1,,,,,,,,,,,,,

30,1,,23000-035000,, "CLAMP 35",4,4,,,,,,,,,,,,,,,,,,,,,  
31,1,,23010-014000,, "CLAMP 14",3,3,,,,,,,,,,,,,,,,,,,,,  
32,1,,23010-014000,, "CLAMP 14",1,1,,,,,,,,,,,,,,,,,,,,,  
33,1,,23010-014000,, "CLAMP 14",1,1,,,,,,,,,,,,,,,,,,,,,  
34,1,,172168-78300,, "HOSE G704YY025",1,1,,,,,,,,,,,,,,,,,,,,,  
34-1,1,,172174-78280,, "HOSE G704YY025",1,1,,,,,R,,72174AMA-1,M910001,72174AMA-  
1,M910001,,,,,,,,,,,,,  
35,1,,172126-11510,, "BAND 300",2,2,,,,,,,,,,,,,,,,,,,,,

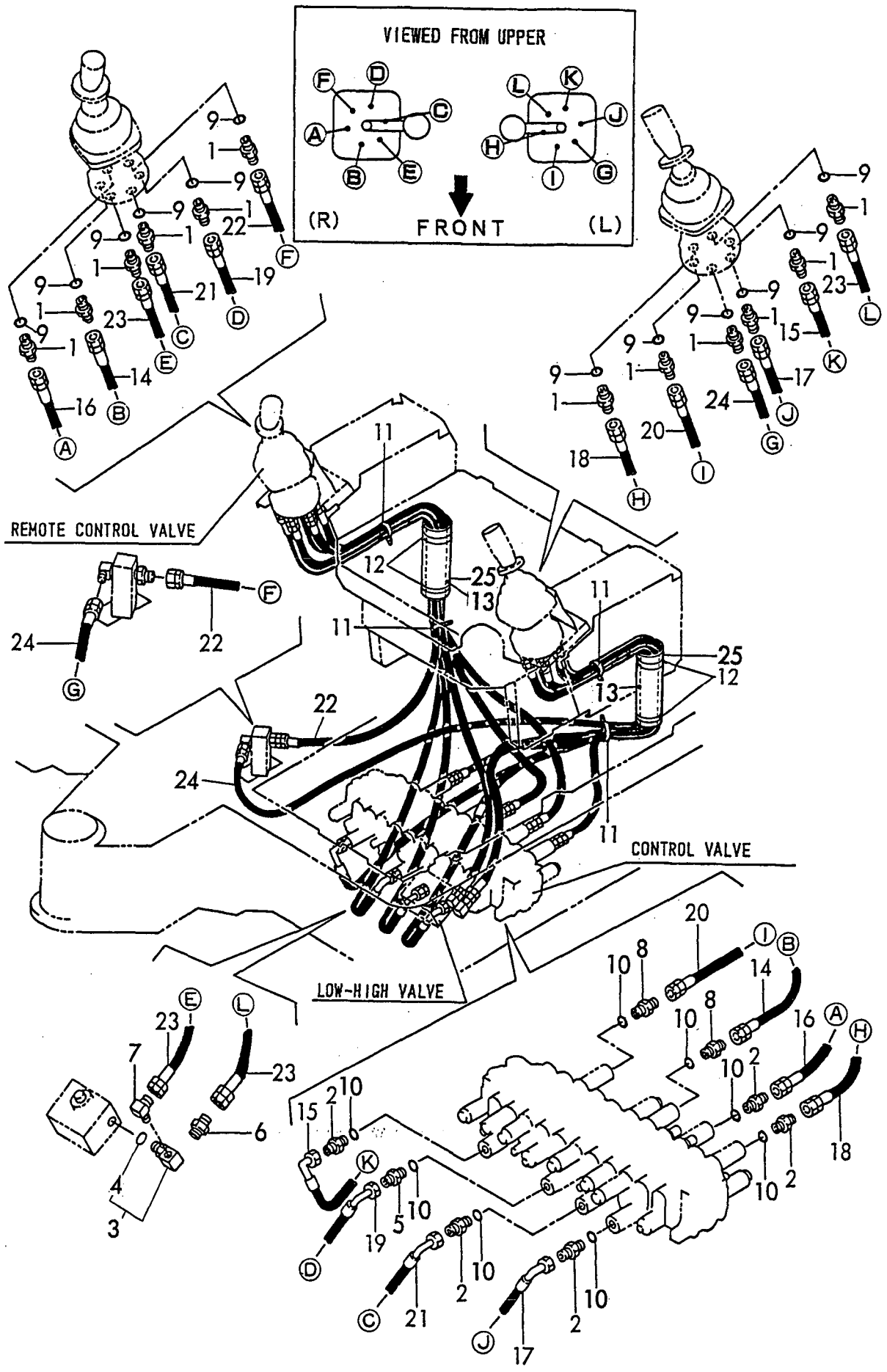
Fig. 49 CONTROL PIPING (PUMP ~ LOW-HIGH V ~ RETURN)



1,1,,172123-76120,, "CONNECTOR PF1/4",12,12,,,,,,,,,,,,,,,,,,,,,  
1-1,1,,172159-76120,, "CONNECTOR PF1/4",12,12,,,,,R,,72174AMA-1,M910001,72174AMA-  
1,M910001,,,,,,,,,,,,,  
2,1,,172123-76120,, "CONNECTOR PF1/4",5,5,,,,,,,,,,,,,,,,,,,,,  
2-1,1,,172159-76120,, "CONNECTOR PF1/4",5,5,,,,,R,,72174AMA-1,M910001,72174AMA-  
1,M910001,,,,,,,,,,,,,  
3,1,,172165-76550,,CONNECTOR,1,1,,,,,,,,,,,,,,,,,,,,,  
3-1,1,,172174-76310,, "CONNECTOR PT3/8PF1/4",1,1,,,,,R,,72174AMA-  
1,M910001,72174AMA-1,M910001,,,,,,,,,,,,,  
4,2,,24315-000110,, "O-RING 1B P-11.0",1,1,,,,,,,,,,,,,,,,,,,,,  
5,1,,172168-76550,, "JOINT PF1/4-0.9",1,1,,,,,,,,,,,,,,,,,,,,,  
5-1,1,,172174-77130,, "JOINT PF1/4-0.9",1,1,,,,,R,,72174AMA-1,M910001,72174AMA-  
1,M910001,,,,,,,,,,,,,  
6,1,,172165-76560,,ADAPTOR,1,1,,,,,,,,,,,,,,,,,,,,,  
7,1,,172165-76570,,ELBOW,1,1,,,,,,,,,,,,,,,,,,,,,  
8,1,,172162-76770,, "JOINT PF1/4",2,2,,,,,,,,,,,,,,,,,,,,,  
8-1,1,,172174-76360,, "JOINT PF1/4",2,2,,,,,R,,72174AMA-1,M910001,72174AMA-  
1,M910001,,,,,,,,,,,,,  
9,1,,24315-000110,, "O-RING 1B P-11.0",12,12,,,,,,,,,,,,,,,,,,,,,  
10,1,,24315-000110,, "O-RING 1B P-11.0",8,8,,,,,,,,,,,,,,,,,,,,,  
11,1,,172122-79920,,CLAMP,6,6,,,,,,,,,,,,,,,,,,,,,  
11-1,1,,172159-78080,,CLAMP,6,6,,,,,R,,72174AMA-1,M910001,72174AMA-  
1,M910001,,,,,,,,,,,,,  
11-2,1,,172159-45160,, "CLAMP  
350",6,6,,,,,N,,72174016,\*1993.03,72174016,\*1993.03,,,,,,,,,,,,,I  
12,1,,172122-79890,, "CLAMP 350",4,4,,,,,,,,,,,,,,,,,,,,,  
12-1,1,,172159-45160,, "CLAMP 350",4,4,,,,,R,,72174AMA-1,M910001,72174AMA-  
1,M910001,,,,,,,,,,,,,  
12-2,1,,172174-79930,, "BAND  
250",4,4,,,,,72174016,\*1993.03,72174016,\*1993.03,,,,,,,,,,,,,I  
13,1,,172151-78980,, "SPONGY HOSE",2,2,,,,,,,,,,,,,,,,,,,,,  
13-1,1,,172174-78560,, "SPONGY HOSE",2,2,,,,,R,,72174AMA-1,M910001,72174AMA-  
1,M910001,,,,,,,,,,,,,  
14,1,,172165-79220,,HOSE,1,1,,,,,,,,,,,,,,,,,,,,,  
14-1,1,,172174-79220,,HOSE,1,1,,,,,R,,72174AMA-1,M910001,72174AMA-  
1,M910001,,,,,,,,,,,,,  
15,1,,172165-79290,,HOSE,1,1,,,,,,,,,,,,,,,,,,,,,  
15-1,1,,172174-79290,, "HOSE G604BB175S",1,1,,,,,R,,72174AMA-1,M910001,72174AMA-  
1,M910001,,,,,,,,,,,,,  
16,1,,172165-79300,,HOSE,1,1,,,,,,,,,,,,,,,,,,,,,  
16-1,1,,172174-79300,,HOSE,1,1,,,,,R,,72174AMA-1,M910001,72174AMA-  
1,M910001,,,,,,,,,,,,,  
17,1,,172165-79310,,HOSE,1,1,,,,,,,,,,,,,,,,,,,,,  
17-1,1,,172174-79310,, "HOSE G604BC175S",1,1,,,,,R,,72174AMA-1,M910001,72174AMA-  
1,M910001,,,,,,,,,,,,,  
18,1,,172165-79340,,HOSE,1,1,,,,,,,,,,,,,,,,,,,,,  
18-1,1,,172174-79340,, "HOSE G604BB120",1,1,,,,,R,,72174AMA-1,M910001,72174AMA-  
1,M910001,,,,,,,,,,,,,  
19,1,,172165-79350,,HOSE,1,1,,,,,,,,,,,,,,,,,,,,,  
19-1,1,,172174-79350,, "HOSE G604BC175S",1,1,,,,,R,,72174AMA-1,M910001,72174AMA-  
1,M910001,,,,,,,,,,,,,  
20,1,,172165-79360,,HOSE,1,1,,,,,,,,,,,,,,,,,,,,,  
20-1,1,,172174-79360,, "HOSE G604BB120",1,1,,,,,R,,72174AMA-1,M910001,72174AMA-  
1,M910001,,,,,,,,,,,,,  
21,1,,172165-79370,,HOSE,1,1,,,,,,,,,,,,,,,,,,,,,  
21-1,1,,172174-79370,, "HOSE G604BC175S",1,1,,,,,R,,72174AMA-1,M910001,72174AMA-  
1,M910001,,,,,,,,,,,,,  
22,1,,172165-79600,,HOSE,1,1,,,,,,,,,,,,,,,,,,,,,  
22-1,1,,172174-79600,,HOSE,1,1,,,,,R,,72174AMA-1,M910001,72174AMA-  
1,M910001,,,,,,,,,,,,,  
23,1,,172165-79620,,HOSE,2,2,,,,,,,,,,,,,,,,,,,,,  
23-1,1,,172174-79620,,HOSE,2,2,,,,,R,,72174AMA-1,M910001,72174AMA-  
1,M910001,,,,,,,,,,,,,

24,1,,172165-79640,,HOSE,1,1,,,,,,,,,,,,,  
24-1,1,,172174-79640,,HOSE,1,1,,,,,R,,72174AMA-1,M910001,72174AMA-  
1,M910001,,,,,  
25,1,,172165-79820,,COVER,2,2,,,,,,,,,,,,,  
25-1,1,,172174-79820,, "COVER, HOSE",2,2,,,,,R,,72174AMA-1,M910001,72174AMA-  
1,M910001,,,,,

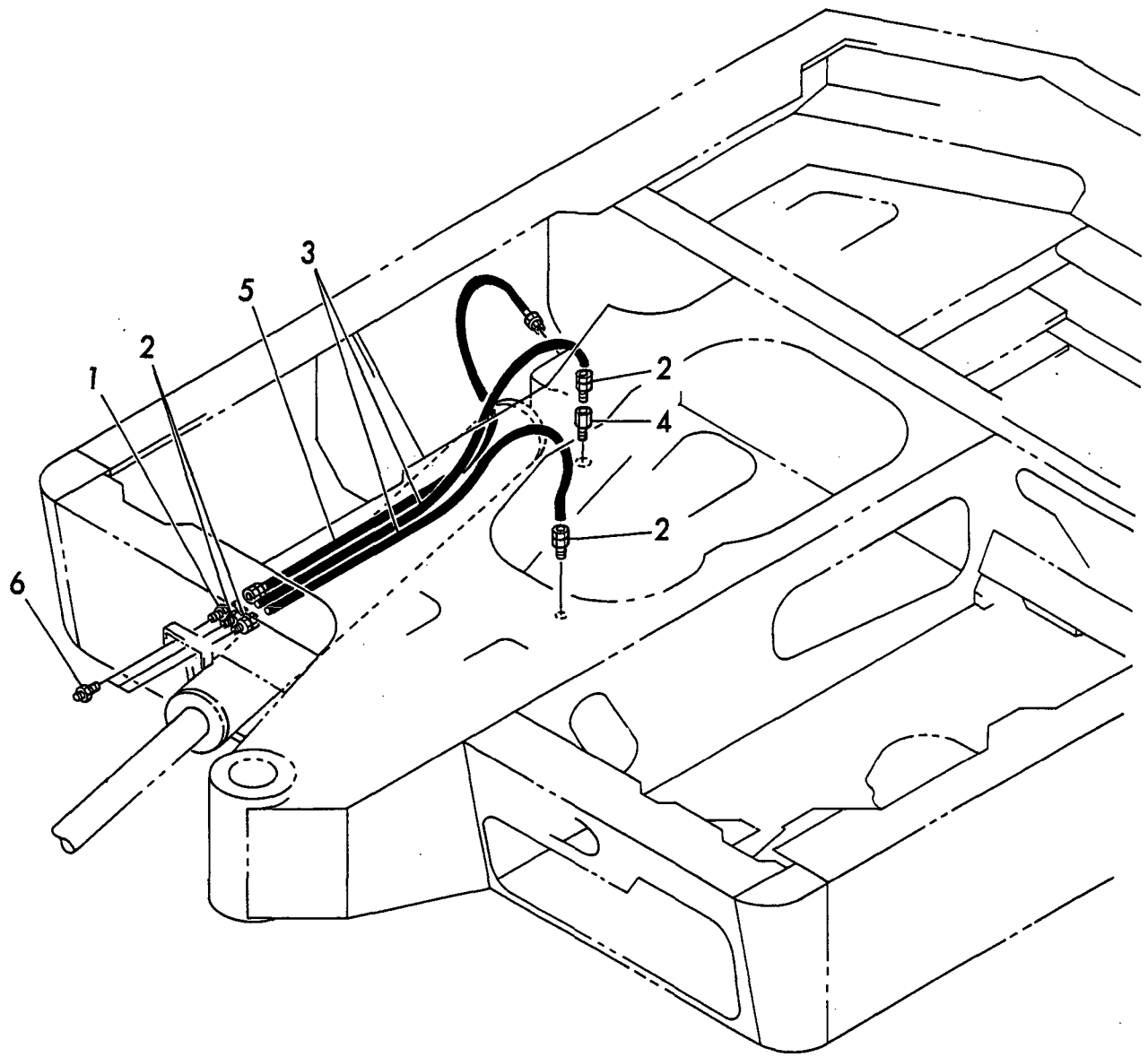
Fig. 50 CONTROL PIPING (DIRECT)



1,1,,172112-77580,, "JOINT 1/8",1,1,,,,,,,,,,,,,  
1-1,1,,172174-77580,, "JOINT 1/8",1,1,,,,,R,,72174AMA-1,M910001,72174AMA-  
1,M910001,,,,,,,,,  
2,1,,172141-77800,, "JOINT, GREASE",4,4,,,,,,,,,,,,,  
2-1,1,,172159-77800,, "JOINT, GREASE",4,4,,,,,R,,72174AMA-1,M910001,72174AMA-  
1,M910001,,,,,,,,,  
3,1,,172142-77811,,HOSE,2,2,,,,,,,,,,,,,  
3-1,1,,172174-77600,,HOSE,2,2,,,,,R,,72174AMA-1,M910001,72174AMA-  
1,M910001,,,,,,,,,  
4,1,,172312-77820,, "FITTING, GREASE",1,1,,,,,,,,,,,,,  
4-1,1,,172159-76140,, "FITTING, GREASE",1,1,,,,,R,,72174AMA-1,M910001,72174AMA-  
1,M910001,,,,,,,,,  
5,1,,172149-78500,,HOSE,1,1,,,,,,,,,,,,,  
5-1,1,,172174-77590,,HOSE,1,1,,,,,R,,72174AMA-1,M910001,72174AMA-  
1,M910001,,,,,,,,,  
6,1,,24761-020000,, "NIPPLE PT1/8,GREASE",3,3,,,,,,,,,,,,,



Fig. 51 GREASING

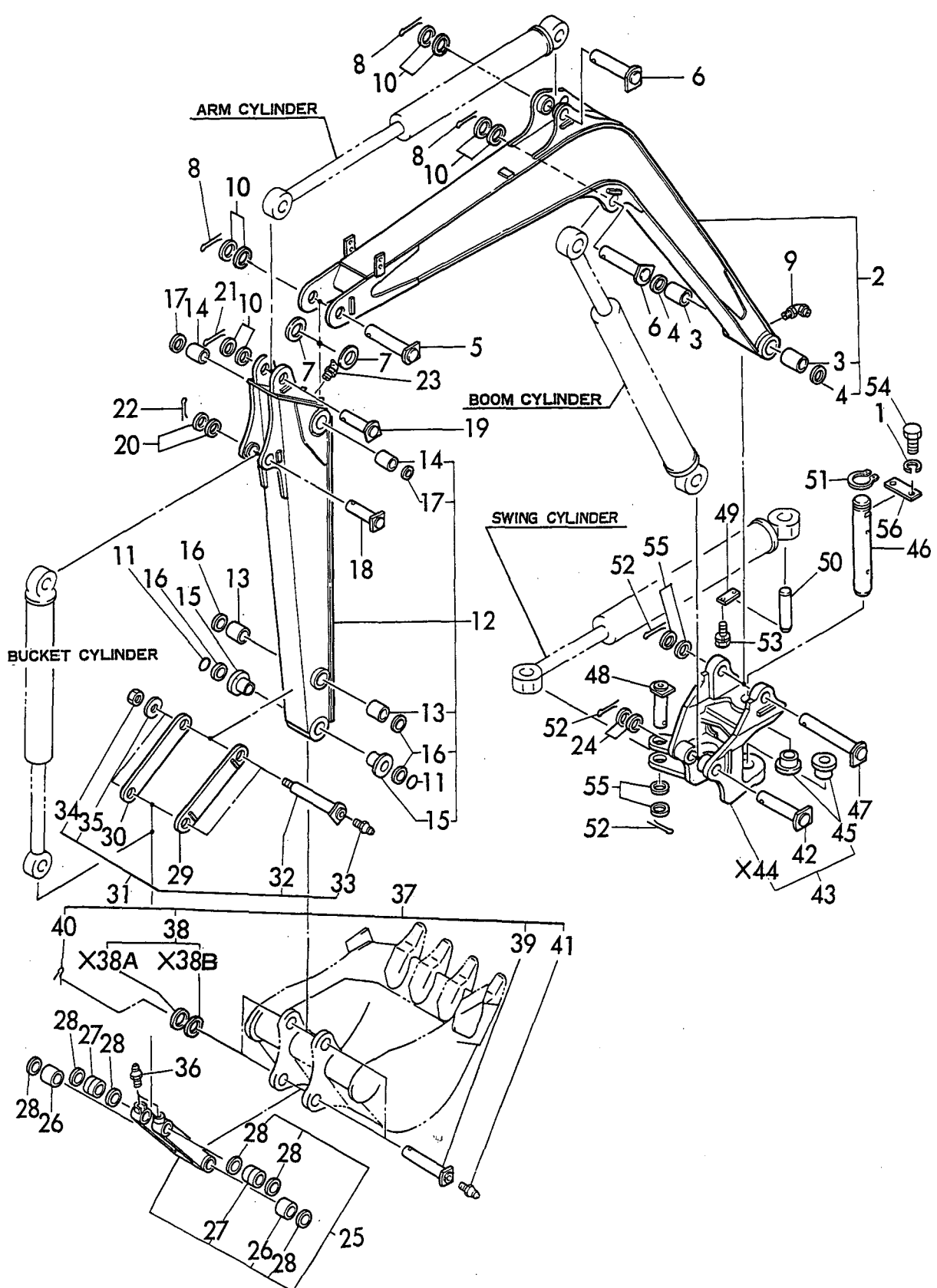


1,1,,22217-160000,, "SPRING WASHER 16",2,2,,,,,,,,,,,,,,,,,,,,,  
2,1,,172171-81350,, "BOOM (3RD",1,1,,,,,,,,,,,,,,,,,,,,,  
2-1,1,,172174-81100,, "BOOM W/BUSH",1,1,,,,,R,,72174AMA-1,M910001,72174AMA-  
1,M910001,,,,,,,,,,,,,  
3,2,,172116-82400,, "PIN BUSH 38X55",2,2,,,,,,,,,,,,,,,,,,,,,  
3-1,2,,172161-81540,, "BUSH 38X55,PIN",2,2,,,,,R,,72174AMA-1,M910001,72174AMA-  
1,M910001,,,,,,,,,,,,,  
4,2,,172122-82290,, "SEAL, DUST",2,2,,,,,,,,,,,,,,,,,,,,,  
4-1,2,,172174-81290,, "SEAL,DUST 38X48X4",2,2,,,,,R,,72174AMA-1,M910001,72174AMA-  
1,M910001,,,,,,,,,,,,,  
5,1,,172141-81400,, "PIN 38-160",1,1,,,,,,,,,,,,,,,,,,,,,  
5-1,1,,172161-81400,, "PIN 38X160 COMPL.",1,1,,,,,R,,72174AMA-1,M910001,72174AMA-  
1,M910001,,,,,,,,,,,,,  
6,1,,172141-81420,, "PIN 38-115",2,2,,,,,,,,,,,,,,,,,,,,,  
6-1,1,,172161-81420,, "PIN 38X115 COMPL.",2,2,,,,,R,,72174AMA-1,M910001,72174AMA-  
1,M910001,,,,,,,,,,,,,  
7,1,,172171-82510,, "SHIM 39X75 COMP",2,2,,,,,,,,,,,,,,,,,,,,,  
7-1,1,,172174-82510,, "SHIM 38X75 ASSY.",2,2,,,,,R,,72174AMA-1,M910001,72174AMA-  
1,M910001,,,,,,,,,,,,,  
8,1,,22417-800500,, "COTTER PIN 8.0X50",3,3,,,,,,,,,,,,,,,,,,,,,  
9,1,,24761-050000,, "NIPPLE C,GREASE",1,1,,,,,,,,,,,,,,,,,,,,,  
10,1,,933171-29750,, "SHIM SET, PIN 38",4,4,,,,,,,,,,,,,,,,,,,,,  
10-1,1,,172159-83220,, "SHIM SET, PIN 38",4,4,,,,,R,,72174AMA-1,M910001,72174AMA-  
1,M910001,,,,,,,,,,,,,  
11,1,,172171-81270,, "O-RING",2,2,,,,,,,,,,,,,,,,,,,,,  
11-1,1,,172174-81270,, "O-RING",2,2,,,,,R,,72174AMA-1,M910001,72174AMA-  
1,M910001,,,,,,,,,,,,,  
12,1,,172141-82102,, "ARM ASSY(1080)",1,1,,,,,,,,,,,,,,,,,,,,,  
12-1,1,,172161-82101,, "ARM ASSY(1080)",1,1,,,,,R,,72174AMA-1,M910001,72174AMA-  
1,M910001,,,,,,,,,,,,,  
13,2,,172141-82270,, "BUSH 35 45",2,2,,,,,,,,,,,,,,,,,,,,,  
13-1,2,,172159-81480,, "BUSH 38 45, PIN",2,2,,,,,R,,72174AMA-1,M910001,72174AMA-  
1,M910001,,,,,,,,,,,,,  
14,2,,172141-82280,, "BUSH 38 45, PIN",2,2,,,,,,,,,,,,,,,,,,,,,  
14-1,2,,172161-82280,, "BUSH 38X45,PIN",2,2,,,,,R,,72174AMA-1,M910001,72174AMA-  
1,M910001,,,,,,,,,,,,,  
15,2,,172171-81261,, "BUSH 35X50",2,2,,,,,,,,,,,,,,,,,,,,,  
15-1,2,,172174-81260,, "BUSH 35X50",2,2,,,,,R,,72174AMA-1,M910001,72174AMA-  
1,M910001,,,,,,,,,,,,,  
16,2,,172171-81280,, "SEAL 35X45X4",4,4,,,,,,,,,,,,,,,,,,,,,  
16-1,2,,172174-81280,, "SEAL 35X45X4,DUST",4,4,,,,,R,,72174AMA-  
1,M910001,72174AMA-1,M910001,,,,,,,,,,,,,  
17,2,,172122-82290,, "SEAL, DUST",2,2,,,,,,,,,,,,,,,,,,,,,  
17-1,2,,172174-81290,, "SEAL,DUST 38X48X4",2,2,,,,,R,,72174AMA-  
1,M910001,72174AMA-1,M910001,,,,,,,,,,,,,  
18,1,,172141-82300,, "PIN 38-86",1,1,,,,,,,,,,,,,,,,,,,,,  
18-1,1,,172161-82300,, "PIN 35X86 COMPL.",1,1,,,,,R,,72174AMA-1,M910001,72174AMA-  
1,M910001,,,,,,,,,,,,,  
19,1,,172141-82330,, "PIN 38-86",1,1,,,,,,,,,,,,,,,,,,,,,  
19-1,1,,172161-82330,, "PIN 38X86 COMPL.",1,1,,,,,R,,72174AMA-1,M910001,72174AMA-  
1,M910001,,,,,,,,,,,,,  
20,1,,172141-84600,, "SHIM 35",1,1,,,,,,,,,,,,,,,,,,,,,  
20-1,1,,172159-81500,, "SHIM 35",1,1,,,,,R,,72174AMA-1,M910001,72174AMA-  
1,M910001,,,,,,,,,,,,,  
21,1,,22417-800500,, "COTTER PIN 8.0X50",1,1,,,,,,,,,,,,,,,,,,,,,  
22,1,,22417-800450,, "COTTER PIN 8.0X45",1,1,,,,,,,,,,,,,,,,,,,,,  
23,1,,24761-040000,, "NIPPLE B,GREASE",1,1,,,,,,,,,,,,,,,,,,,,,  
24,1,,933171-29750,, "SHIM SET, PIN 38",1,1,,,,,,,,,,,,,,,,,,,,,  
24-1,1,,172159-83220,, "SHIM SET, PIN 38",1,1,,,,,R,,72174AMA-1,M910001,72174AMA-  
1,M910001,,,,,,,,,,,,,  
25,1,,172141-84401,, "LINK W/BUSH, BUCKET",1,1,,,,,,,,,,,,,,,,,,,,,  
25-1,1,,172161-84401,, "LINK W/BUSH, BUCKET",1,1,,,,,R,,72174AMA-  
1,M910001,72174AMA-1,M910001,,,,,,,,,,,,,

26,2,,172141-82270,, "BUSH 35 45",2,2,,,,,,,,,,,,,,,,,,,,,  
26-1,2,,172159-81480,, "BUSH 38 45, PIN",2,2,,,,,R,,72174AMA-1,M910001,72174AMA-  
1,M910001,,,,,,,,,,,,,  
27,2,,172141-72561,, "BUSH 35 40 A, PIN",2,2,,,,,,,,,,,,,,,,,,,,,  
27-1,2,,172161-72561,, "BUSH 35X40A,PIN",2,2,,,,,R,,72174AMA-1,M910001,72174AMA-  
1,M910001,,,,,,,,,,,,,  
28,2,,172171-81280,, "SEAL 35X45X4",6,6,,,,,,,,,,,,,,,,,,,,,  
28-1,2,,172174-81280,, "SEAL 35X45X4,DUST",6,6,,,,,R,,72174AMA-  
1,M910001,72174AMA-1,M910001,,,,,,,,,,,,,  
29,1,,172141-84500,, "ARM(L), BUCKET",1,1,,,,,,,,,,,,,,,,,,,,,  
29-1,1,,172161-84500,, "ARM L COMP.,BUCKET",1,1,,,,,R,,72174AMA-  
1,M910001,72174AMA-1,M910001,,,,,,,,,,,,,  
30,1,,172141-84510,, "ARM(R), BUCKET",1,1,,,,,,,,,,,,,,,,,,,,,  
30-1,1,,172161-84510,, "ARM,BUCKET",1,1,,,,,R,,72174AMA-1,M910001,72174AMA-  
1,M910001,,,,,,,,,,,,,  
31,1,,172141-99470,, "KIT, ARM PIN",1,1,,,,,,,,,,,,,,,,,,,,,  
31-1,1,,772161-81300,, "KIT, ARM PIN",1,1,,,,,R,,72174AMA-1,M910001,72174AMA-  
1,M910001,,,,,,,,,,,,,  
32,2,,172141-84550,, "PIN 35-152",2,2,,,,,,,,,,,,,,,,,,,,,  
32-1,2,,172161-84550,, "PIN 35X152 COMPL.",2,2,,,,,R,,72174AMA-  
1,M910001,72174AMA-1,M910001,,,,,,,,,,,,,  
33,2,,24761-020000,, "NIPPLE PT1/8,GREASE",2,2,,,,,,,,,,,,,,,,,,,,,  
34,2,,933110-86600,, "NUT M24, NYLON",2,2,,,,,,,,,,,,,,,,,,,,,  
34-1,2,,172161-84580,, "NUT M24X24,NYLON",2,2,,,,,R,,72174AMA-1,M910001,72174AMA-  
1,M910001,,,,,,,,,,,,,  
35,2,,933171-29760,, "WASHER",2,2,,,,,,,,,,,,,,,,,,,,,  
35-1,2,,172161-84590,, "WASHER",2,2,,,,,R,,72174AMA-1,M910001,72174AMA-  
1,M910001,,,,,,,,,,,,,  
36,1,,24761-020000,, "NIPPLE PT1/8,GREASE",2,2,,,,,,,,,,,,,,,,,,,,,  
37,1,,172141-99460,, "PIN KIT, BUCKET",1,1,,,,,,,,,,,,,,,,,,,,,  
37-1,1,,772161-81450,, "PIN KIT,BUCKET",1,1,,,,,R,,72174AMA-1,M910001,72174AMA-  
1,M910001,,,,,,,,,,,,,  
38,2,,172141-84600,, "SHIM 35",1,1,,,,,,,,,,,,,,,,,,,,,  
38-1,2,,172159-81500,, "SHIM 35",1,1,,,,,R,,72174AMA-1,M910001,72174AMA-  
1,M910001,,,,,,,,,,,,,  
39,2,,172141-86251,, "PIN 35-188 CMP",2,2,,,,,,,,,,,,,,,,,,,,,  
39-1,2,,172161-86250,, "PIN 35X188 COMPL.",2,2,,,,,R,,72174AMA-  
1,M910001,72174AMA-1,M910001,,,,,,,,,,,,,  
40,2,,22417-800450,, "COTTER PIN 8.0X45",2,2,,,,,,,,,,,,,,,,,,,,,  
41,2,,24761-020000,, "NIPPLE PT1/8,GREASE",2,2,,,,,,,,,,,,,,,,,,,,,  
42,1,,172141-81400,, "PIN 38-160",1,1,,,,,,,,,,,,,,,,,,,,,  
42-1,1,,172161-81400,, "PIN 38X160 COMPL.",1,1,,,,,R,,72174AMA-  
1,M910001,72174AMA-1,M910001,,,,,,,,,,,,,  
43,1,,172141-83290,, "BRACKET",1,1,,,,,,,,,,,,,,,,,,,,,  
43-1,1,,172174-83290,, "BRACKET ASSY.,BOOM",1,1,,,,,R,,72174AMA-  
1,M910001,72174AMA-1,M910001,,,,,,,,,,,,,  
45,2,,172141-83330,, "BUSH 50X45",2,2,,,,,,,,,,,,,,,,,,,,,  
45-1,2,,172174-82340,, "BUSH 50X45",2,2,,,,,R,,72174AMA-1,M910001,72174AMA-  
1,M910001,,,,,,,,,,,,,  
46,1,,172171-82310,, "PIN 50X292",1,1,,,,,,,,,,,,,,,,,,,,,  
46-1,1,,172174-82310,, "PIN 50X292",1,1,,,,,R,,72174AMA-1,M910001,72174AMA-  
1,M910001,,,,,,,,,,,,,  
47,1,,172141-83340,, "PIN 38-223",1,1,,,,,,,,,,,,,,,,,,,,,  
47-1,1,,172161-83340,, "PIN 38X223 COMPL.",1,1,,,,,R,,72174AMA-  
1,M910001,72174AMA-1,M910001,,,,,,,,,,,,,  
48,1,,172141-83371,, "PIN 38-97",1,1,,,,,,,,,,,,,,,,,,,,,  
48-1,1,,172161-83370,, "PIN 38X97 COMPL.",1,1,,,,,R,,72174AMA-1,M910001,72174AMA-  
1,M910001,,,,,,,,,,,,,  
49,1,,172141-83390,, "PLATE, PIN LOCK",1,1,,,,,,,,,,,,,,,,,,,,,  
49-1,1,,172161-83390,, "PLATE,PIN LOCKING",1,1,,,,,R,,72174AMA-  
1,M910001,72174AMA-1,M910001,,,,,,,,,,,,,  
50,1,,172141-94260,, "PIN 38-130",1,1,,,,,,,,,,,,,,,,,,,,,

50-1,1,,172161-94260,, "PIN 38X130",1,1,,,,,R,,72174AMA-1,M910001,72174AMA-  
1,M910001,,,,,  
51,1,,22242-000500,, "CIRCLIP 50",1,1,,,,,  
52,1,,22417-800500,, "COTTER PIN 8.0X50",3,3,,,,,  
53,1,,26013-100252,, "BOLT W/WASHER M10X25",2,2,,,,,  
54,1,,26116-160402,, "BOLT M16X 40 PLATED",2,2,,,,,  
55,1,,933171-29750,, "SHIM SET, PIN 38",2,2,,,,,  
55-1,1,,172159-83220,, "SHIM SET, PIN 38",2,2,,,,,R,,72174AMA-1,M910001,72174AMA-  
1,M910001,,,,,  
56,1,,172141-83400,, PLATE,1,1,,,,,  
56-1,1,,172161-83400,, PLATE,1,1,,,,,R,,72174AMA-1,M910001,72174AMA-  
1,M910001,,,,,

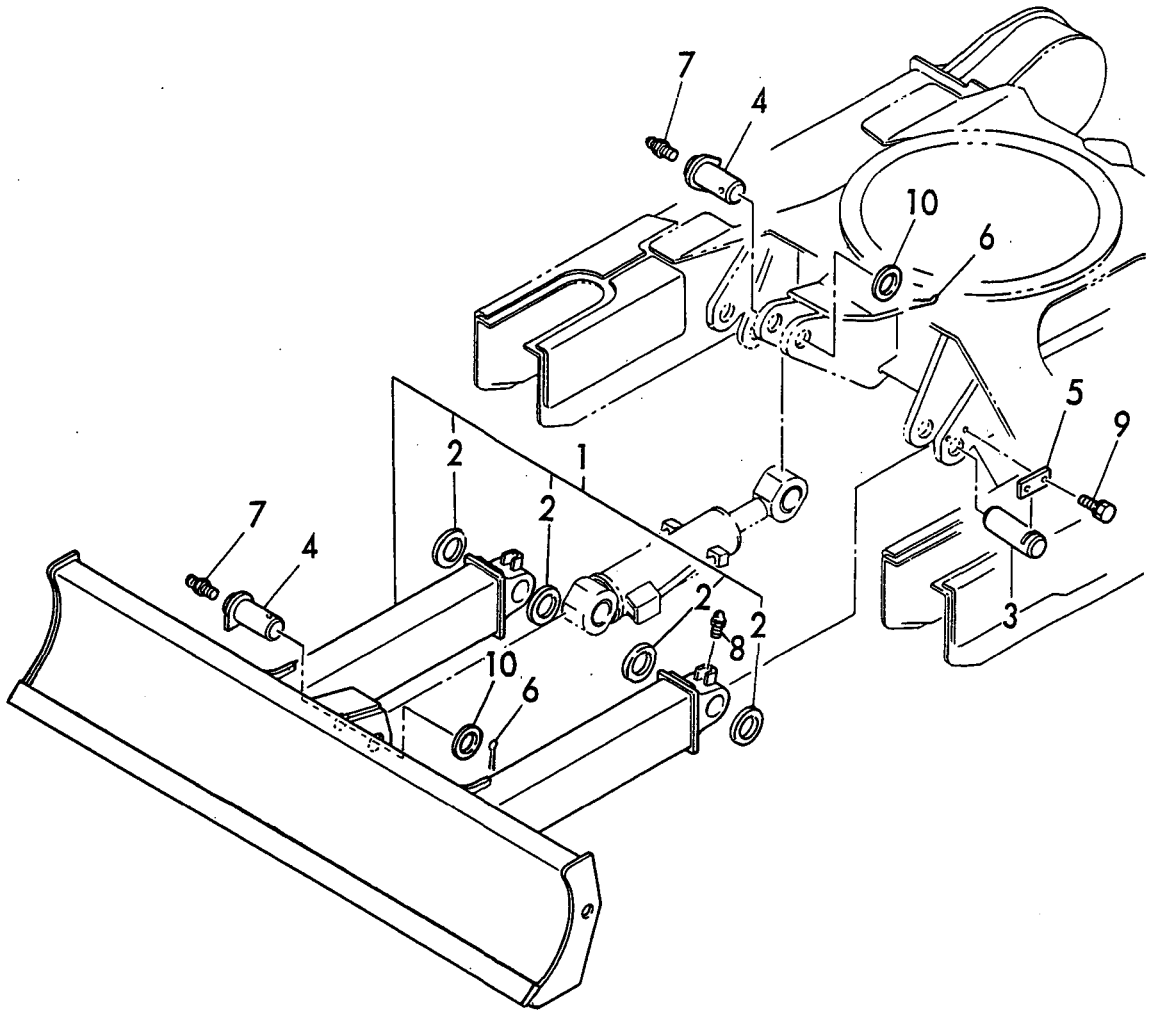
Fig. 52 BOOM & ARM



× MARK PARTS: NOT SOLD SEPARATELY.

1,1,,172141-94102,, "BLADE ASSY, 850",1,1,,,,,,,,,,,,,  
1-1,1,,172161-94102,, "BLADE 850 COMPL.",1,1,,,,,R,,72174AMA-1,M910001,72174AMA-  
1,M910001,,,,,,,,,  
2,2,,172168-81270,, "SEAL,DUST 38X50X4",4,4,,,,,,,,,,,,,  
2-1,2,,172174-94150,, "SEAL 35X50X4,DUST",4,4,,,,,R,,72174AMA-1,M910001,72174AMA-  
1,M910001,,,,,,,,,  
3,1,,172141-94260,, "PIN 38-130",2,2,,,,,,,,,,,,,  
3-1,1,,172161-94260,, "PIN 38X130",2,2,,,,,R,,72174AMA-1,M910001,72174AMA-  
1,M910001,,,,,,,,,  
4,1,,172141-94270,, "PIN 38-90",2,2,,,,,,,,,,,,,  
4-1,1,,172161-94270,, "PIN 38X90 COMPL.",2,2,,,,,R,,72174AMA-1,M910001,72174AMA-  
1,M910001,,,,,,,,,  
5,1,,172124-94310,, "PLATE, LOCK",2,2,,,,,,,,,,,,,  
5-1,1,,172161-94310,, "PLATE,LOCK",2,2,,,,,R,,72174AMA-1,M910001,72174AMA-  
1,M910001,,,,,,,,,  
6,1,,22417-800560,, "COTTER PIN 8.0X 56",2,2,,,,,,,,,,,,,  
7,1,,24761-020000,, "NIPPLE PT1/8,GREASE",2,2,,,,,,,,,,,,,  
8,1,,24761-040000,, "NIPPLE B,GREASE",2,2,,,,,,,,,,,,,  
9,1,,26013-100252,, "BOLT W/WASHER M10X25",4,4,,,,,,,,,,,,,  
10,1,,933171-29750,, "SHIM SET, PIN 38",2,2,,,,,,,,,,,,,  
10-1,1,,172159-83230,, "SHIM SET, PIN 38",2,2,,,,,R,,72174AMA-1,M910001,72174AMA-  
1,M910001,,,,,,,,,

Fig. 53 BLADE



Y00S3351,"Construction equipment",Excavator,B  
[Info]  
PcNo=Y00S3351  
PcName=B22-2(AY)(B4741)  
JpnUse=0  
JpnSec1=  
JpnSec2=  
JpnSec3=  
JpnPreface=0  
EngUse=1  
EngSec1=CONSTRUCTION  
EngSec2=EXCAVATOR (B)  
EngSec3=B  
EngPreface=1



0,Y00S3351

1,001,, "VEHICLE B22-2(AY)"  
2,1,, LABEL(CABIN), "B22-2 C(R)AY", "B22-2 P(R)AY",,  
2,2,, LABEL(CANOPY), "B22-2 C(R)AY", "B22-2 P(R)AY",,  
2,3,, "INLET HOUSE & EXHAUST PIPE", "B22-2 C(R)AY", "B22-2 P(R)AY",,  
2,4,, ACCELERATOR, "B22-2 C(R)AY", "B22-2 P(R)AY",,  
2,5,, "ENGINE MOUNT", "B22-2 C(R)AY", "B22-2 P(R)AY",,  
2,6,, "RADIATOR & MOUNT", "B22-2 C(R)AY", "B22-2 P(R)AY",,  
2,7,, "FUEL TANK & FUEL PIPE", "B22-2 C(R)AY", "B22-2 P(R)AY",,  
2,8,, BATTERY, "B22-2 C(R)AY", "B22-2 P(R)AY",,  
2,9,, "ELECTRIC PART", "B22-2 C(R)AY", "B22-2 P(R)AY",,  
2,10,, "WORK LAMP", "B22-2 C(R)AY", "B22-2 P(R)AY",,  
2,11,, HEATER, "B22-2 C(R)AY", "B22-2 P(R)AY",,  
2,12,, "ROLLER & ADJUST", "B22-2 C(R)AY", "B22-2 P(R)AY",,  
2,13,, CRAWLER, "B22-2 C(R)AY", "B22-2 P(R)AY",,  
2,14,, "CONTROL EQUIP. (LEVER STAND)", "B22-2 C(R)AY", "B22-2 P(R)AY",,  
2,15,, "CONTROL EQUIPMENT (TRAVEL)", "B22-2 C(R)AY", "B22-2 P(R)AY",,  
2,16,, "CONTROL EQUIPMENT (SWING)", "B22-2 C(R)AY", "B22-2 P(R)AY",,  
2,17,, "CONTROL EQUIPMENT (BLADE)", "B22-2 C(R)AY", "B22-2 P(R)AY",,  
2,18,, "CONTROL EQUIP. (CUT OFF LEVER &)", "B22-2 C(R)AY", "B22-2 P(R)AY",,  
2,19,, "CONTROL EQUIP. (P.T.O. CONTROL)", "B22-2 C(R)AY", "B22-2 P(R)AY",,  
2,20,, "FRAME & TURNING BEARING", "B22-2 C(R)AY", "B22-2 P(R)AY",,  
2,21,, "FRAME COVER (CABIN)", "B22-2 C(R)AY", "B22-2 P(R)AY",,  
2,22,, "FRAME COVER (CANOPY)", "B22-2 C(R)AY", "B22-2 P(R)AY",,  
2,23,, "SEAT MOUNT & STEP", "B22-2 C(R)AY", "B22-2 P(R)AY",,  
2,24,, BONNET, "B22-2 C(R)AY", "B22-2 P(R)AY",,  
2,25,, CANOPY, "B22-2 C(R)AY", "B22-2 P(R)AY",,  
2,26,, "HYD. OIL PUMP & JOINT", "B22-2 C(R)AY", "B22-2 P(R)AY",,  
2,27,, "BOOM CYLINDER & SWING CYLINDER", "B22-2 C(R)AY", "B22-2 P(R)AY",,  
2,28,, "TRAVEL MOTOR", "B22-2 C(R)AY", "B22-2 P(R)AY",,  
2,29,, "TURNING MOTOR", "B22-2 C(R)AY", "B22-2 P(R)AY",,  
2,30,, "SWIVEL JOINT", "B22-2 C(R)AY", "B22-2 P(R)AY",,  
2,31,, "CONTROL VALVE (P PORT)", "B22-2 C(R)AY", "B22-2 P(R)AY",,  
2,32,, "CONTROL VALVE (TRAVEL)", "B22-2 C(R)AY", "B22-2 P(R)AY",,  
2,33,, "CONTROL VALVE (ARM & SWING)", "B22-2 C(R)AY", "B22-2 P(R)AY",,  
2,34,, "CONTROL VALVE (BOOM & BUCKET)", "B22-2 C(R)AY", "B22-2 P(R)AY",,  
2,35,, "CONTROL VALVE (TURNING & BLADE)", "B22-2 C(R)AY", "B22-2 P(R)AY",,  
2,36,, "REMOTE CONTROL VALVE (LEFT)", "B22-2 C(R)AY", "B22-2 P(R)AY",,  
2,37,, "REMOTE CONTROL VALVE (RIGHT)", "B22-2 C(R)AY", "B22-2 P(R)AY",,  
2,38,, "LOW-HIGH VALVE", "B22-2 C(R)AY", "B22-2 P(R)AY",,  
2,39,, P.T.O. VALVE, "B22-2 C(R)AY", "B22-2 P(R)AY",,  
2,40,, "HYD. OIL TANK", "B22-2 C(R)AY", "B22-2 P(R)AY",,  
2,41,, "HYD. OIL PIPING (TANK-PUMP-VALVE)", "B22-2 C(R)AY", "B22-2 P(R)AY",,  
2,42,, "HYD. OIL PIPING (VALVE-MOTOR, BOO)", "B22-2 C(R)AY", "B22-2 P(R)AY",,  
2,43,, "HYD. OIL PIPING (VALVE-SWIVEL, SW)", "B22-2 C(R)AY", "B22-2 P(R)AY",,  
2,44,, "HYD. OIL PIPING (RETURN)", "B22-2 C(R)AY", "B22-2 P(R)AY",,  
2,45,, "HYD. OIL PIPING (P.T.O. VALVE, FRA)", "B22-2 C(R)AY", "B22-2 P(R)AY",,  
2,46,, "HYD. OIL PIPING (TRAVEL)", "B22-2 C(R)AY", "B22-2 P(R)AY",,  
2,47,, "HYD. OIL PIPING (BOOM)", "B22-2 C(R)AY", "B22-2 P(R)AY",,  
2,48,, "HYD. OIL PIPING (P.T.O. VALVE, BOO)", "B22-2 C(R)AY", "B22-2 P(R)AY",,  
2,49,, "CONTROL PIPING (PUMP-LOW-HIGH V)", "B22-2 C(R)AY", "B22-2 P(R)AY",,  
2,50,, "CONTROL PIPING (DIRECT)", "B22-2 C(R)AY", "B22-2 P(R)AY",,  
2,51,, GREASING, "B22-2 C(R)AY", "B22-2 P(R)AY",,  
2,52,, "BOOM & ARM", "B22-2 C(R)AY", "B22-2 P(R)AY",,  
2,53,, BLADE, "B22-2 C(R)AY", "B22-2 P(R)AY",,