

[Info]

PcNo=Y00K2492

PcName=B12/17(-2)(JP,AS,EX)

JpnUse=1

JpnSec1=㊦<@

JpnSec2=f0fbfNfz [

JpnSec3=B

JpnPreface=1

EngUse=1

EngSec1=CONSTRUCTION

EngSec2=EXCAVATOR (B)

EngSec3=B

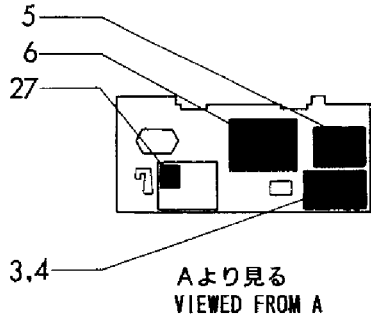
EngPreface=1

1,1,,772149-03100,, "LABEL ASSY",1,,,,,,,,,,,,,
1-1,1,,772149-03101,, "LABEL SET, (B12-1)",1,,,,,N,,M10501,,,,,
2,1,,772150-03100,, "LABEL ASSY",,1,,,,,,,,,,,,,
2-1,1,,772150-03101,, "LABEL SET, (B17-1)",,1,,,,,N,,,,,M10501,,,,,
3,2,,172149-03110,, "LABEL, SPECIFICATION",1,,,,,,,,,,,,,
3-1,2,,172149-03111,, "LABEL, SPECIFICATION",1,,,,,S,,M10501,,,,,
4,2,,172150-03110,, "LABEL, SPECIFICATION",,1,,,,,,,,,,,,,
4-1,2,,172150-03111,, "LABEL, SPECIFICATION",,1,,,,,S,,,,,M10501,,,,,
5,2,,172141-03130,, "LABEL, GREASING",1,1,,,,,,,,,,,,,
6,2,,172149-03130,, "LABEL, OIL & WATER",1,1,,,,,,,,,,,,,
7,2,,172122-03141,, "LABEL, GREASE",1,1,,,,,,,,,,,,,
8,2,,172149-03160,, LABEL,2,,,,,,,,,,,,,
9,2,,172150-03120,, LABEL,,2,,,,,,,,,,,,,
10,2,,172141-03170,, "LABEL, RESTART",1,1,,,,,,,,,,,,,
11,2,,172149-03170,, "LABEL, STRIPE(F)",1,1,,,,,,,,,,,,,
12,2,,172141-03181,, "LABEL, RESERVER(C)",1,1,,,,,,,,,,,,,
13,2,,172149-03180,, LABEL,1,1,,,,,,,,,,,,,
14,2,,172141-03190,, LABEL(D,1,1,,,,,,,,,,,,,
14-1,2,,172131-03670,, "LABEL, DANGER",1,1,,,,,R,,M00771,,,,M00661,,,,,
15,2,,172149-03190,, LABEL,1,1,,,,,,,,,,,,,
16,2,,172149-03200,, "LABEL, STRIPE(R)",1,1,,,,,,,,,,,,,
17,2,,172149-03210,, LABEL,1,1,,,,,,,,,,,,,
18,2,,172141-03220,, LABEL,1,1,,,,,,,,,,,,,
18-1,2,,172141-03201,, "LABEL,ENGINE ROOM(C)",1,1,,,,,N,,M00501,,,,M00501,,,,,
19,2,,172149-03230,, LABEL,1,1,,,,,,,,,,,,,
20,2,,172149-03240,, LABEL,1,1,,,,,,,,,,,,,
21,2,,172141-03250,, "LABEL, OILING",1,1,,,,,,,,,,,,,
21-1,2,,172155-03310,, "LABEL, OILING",1,1,,,,,N,,MX,,,,M11330,,,,,
22,2,,172149-03250,, LABEL,1,1,,,,,,,,,,,,,
23,2,,172149-03260,, LABEL,2,2,,,,,,,,,,,,,
23-1,2,,172149-03261,, LABEL,2,2,,,,,N,,M00654,,,,M00645,,,,,
24,2,,172149-03270,, LABEL,1,1,,,,,,,,,,,,,
24-1,2,,172149-03271,, LABEL,1,1,,,,,N,,M10501,,,,M10501,,,,,
25,2,,172149-03280,, LABEL,1,1,,,,,,,,,,,,,
26,2,,172519-03290,, "LABEL, ENG.COVER",1,1,,,,,,,,,,,,,
27,2,,172137-03300,, "LABEL, TURNING LOCK",1,1,,,,,,,,,,,,,
28,2,,172141-03350,, "LABEL, QUICK(C)",1,1,,,,,Z,,M11861,,,,M11238,,,,,
29,2,,172141-03370,, "LABEL, PROTECTOR",2,2,,,,,,,,,,,,,
30,2,,172137-03780,, "LABEL, THROTTLE",1,1,,,,,,,,,,,,,
31,2,,121470-44540,, "LABEL, SUB-TANK",1,1,,,,,,,,,,,,,
32,2,,933112-20200,, "LABEL, KEY SWITCH",1,1,,,,,,,,,,,,,
33,2,,933112-52400,, "LABEL, FUEL",1,1,,,,,,,,,,,,,
34,2,,172149-03220,, LABEL,1,1,,,,,,,,,,,,,
35,2,,172141-03150,, "LABEL, OPERATION",1,1,,,,,Z,,M11861,,,,M11238,,,,,
36,2,,172149-53400,, "TREE CLIP",2,,,,,,,,,,,,,
37,2,,172142-03300,, LABEL,1,1,,,,,W,,M10501,,,,M10501,,,,,
38,2,,172151-03540,, "LABEL,PATTERN A",1,1,,,,,W,,M11861,,,,M11238,,,,,
41,1,,172168-03400,, LABEL,1,1,,,,,1,,,,,,,,,,,,,

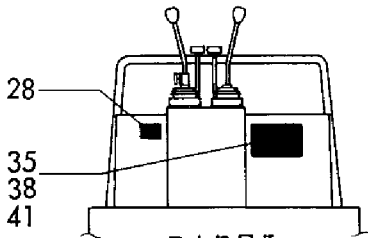
Fig. 1 銘板 (B12/17 (-1))
 LABEL (B12/17 (-1))

B12P (R)
 B12-1P (R)
 B17P (R)
 B17-1P (R)

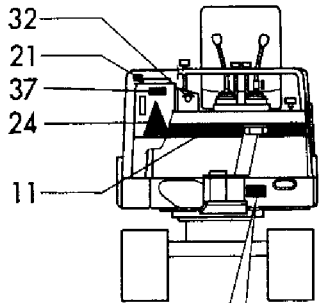
見出しNo. 1, 1-1は、見出しNo. 3 から38を含みます。
 1, 1-1 inc. 3~38
 見出しNo. 2, 2-1は、見出しNo. 4 から38を含みます。
 2, 2-1 inc. 4~38



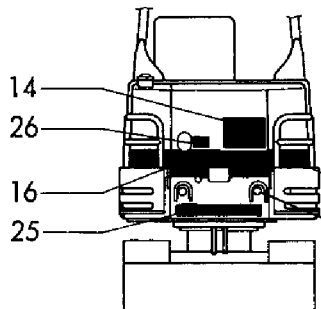
Aより見る
 VIEWED FROM A



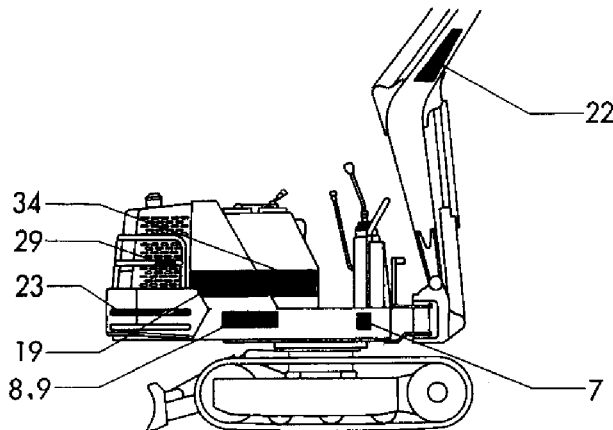
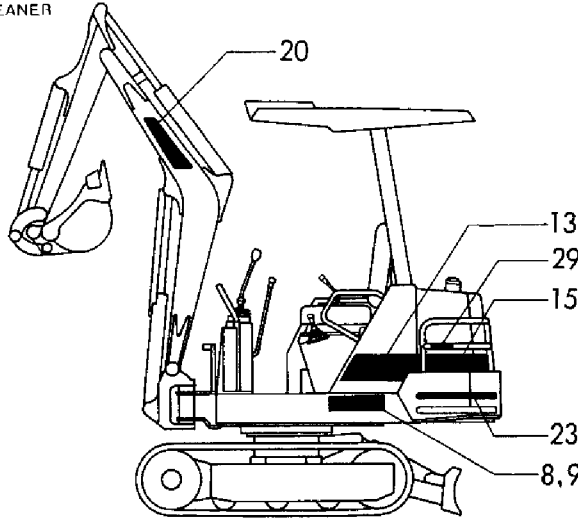
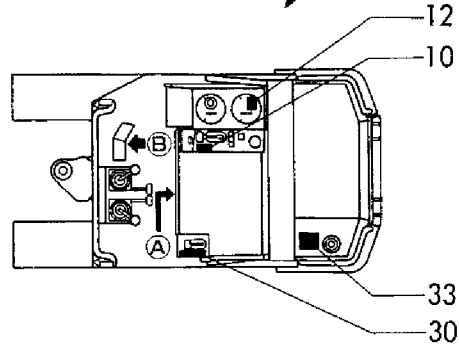
Bより見る
 VIEWED FROM B



機体NO. 打刻位置
 MACHINE SERIAL NO.
 IS STAMPED INTO
 THIS LOCATION



サブタンク
 SUB-TANK
 エアクリーナ
 AIR CLEANER

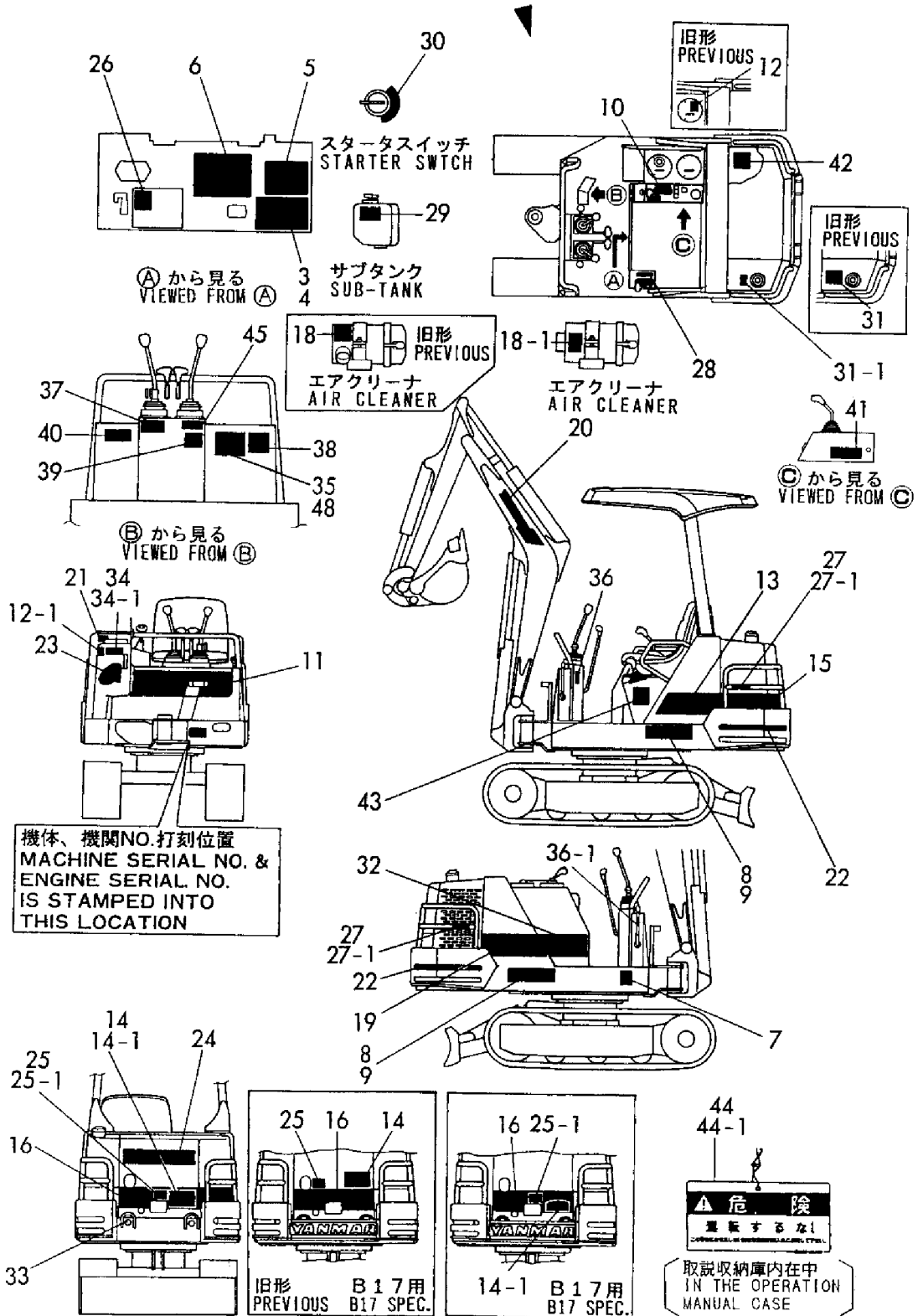


1,1,,772149-03140,, "LABEL SET",,1,,,,,,,,,,,,,
1-1,1,,772149-03141,, "LABEL SET",,1,,,,,N,,,,,M21247,,,,,
2,1,,772150-03140,, "LABEL ASSY",,1,,,,,,,,,,,,,
2-1,1,,772150-03141,, "LABEL ASSY",,1,,,,,N,,,,,M20673,,
3,2,,172149-03112,, "LABEL, SPECIFICATION",,1,,,,,,,,,,,,,
4,2,,172150-03112,, "LABEL, SPECIFICATION",,1,,,,,,,,,,,,,
5,2,,172165-03130,, "LABEL,GREASE FEED",,1,1,,,,,,,,,,,,,
6,2,,172149-03131,, "LABEL, OIL & WATER",,1,1,,,,,,,,,,,,,
7,2,,172122-03141,, "LABEL, GREASE",,1,1,,,,,,,,,,,,,
8,2,,172149-03160,, LABEL,,2,,,,,,,,,,,,,
9,2,,172150-03120,, LABEL,,,,,2,,,,,,,,,,,,,
10,2,,172141-03170,, "LABEL, RESTART",,1,1,,,,,,,,,,,,,
11,2,,172149-03300,, "LABEL,FRONT",,1,1,,,,,,,,,,,,,
12,2,,172141-03181,, "LABEL, RESERVER(C)",,1,1,,,,,,,,,,,,,
12-1,2,,172141-03182,, LABEL,,1,1,,N,,,,,M21247,,M20673,,
13,2,,172149-03180,, LABEL,,1,1,,,,,,,,,,,,,
14,2,,172131-03670,, "LABEL, DANGER",,1,1,,,,,,,,,,,,,
14-1,1,,172156-03280,, LABEL,,1,1,,N,,,,,M21247,,M20673,,
15,2,,172149-03190,, LABEL,,1,1,,,,,,,,,,,,,
16,2,,172149-03200,, "LABEL, STRIPE(R)",,1,1,,,,,,,,,,,,,
17,2,,172149-03210,, LABEL,,1,1,,,,,,,,,,,,,
18,2,,172141-03201,, "LABEL,ENGINE ROOM(C)",,1,1,,,,,,,,,,,,,
18-1,2,,172141-03202,, LABEL,,1,1,,N,,,,,M21247,,M20673,,
19,2,,172149-03230,, LABEL,,1,1,,,,,,,,,,,,,
20,2,,172519-03680,, "LABEL,BRAND",,1,1,,,,,,,,,,,,,
21,2,,172155-03310,, "LABEL, OILING",,1,1,,,,,,,,,,,,,
22,2,,172149-03261,, LABEL,,2,2,,,,,,,,,,,,,
23,2,,172149-03272,, LABEL,,1,1,,,,,,,,,,,,,
24,2,,172519-03680,, "LABEL,BRAND",,1,,,,,,,,,,,,,
25,2,,172519-03290,, "LABEL, ENG.COVER",,1,1,,,,,,,,,,,,,
25-1,2,,172519-04180,, LABEL,,1,1,,N,,,,,M21247,,M20673,,
26,2,,172137-03300,, "LABEL, TURNING LOCK",,1,1,,,,,,,,,,,,,
27,2,,172141-03370,, "LABEL, PROTECTOR",,2,2,,,,,,,,,,,,,
27-1,2,,172141-03372,, LABEL,,2,2,,N,,,,,M21247,,M20673,,
28,2,,172137-03780,, "LABEL, THROTTLE",,1,1,,,,,,,,,,,,,
29,2,,121470-44540,, "LABEL, SUB-TANK",,1,1,,,,,,,,,,,,,
30,2,,933112-20200,, "LABEL, KEY SWITCH",,1,1,,,,,,,,,,,,,
31,2,,933112-52400,, "LABEL, FUEL",,1,1,,,,,,,,,,,,,
31-1,2,,172183-03250,, LABEL,,1,1,,N,,,,,M21247,,M20673,,
32,2,,172149-03220,, LABEL,,1,1,,,,,,,,,,,,,
33,2,,172149-53400,, "TREE CLIP",,2,,,,,,,,,,,,,
34,2,,172142-03300,, LABEL,,1,1,,,,,,,,,,,,,
34-1,2,,172142-03302,, LABEL,,1,1,,N,,,,,M21247,,M20673,,
35,2,,172151-03540,, "LABEL,PATTERN A",,1,1,,,,,,,,,,,,,
36,2,,172183-03280,, "LABEL, LOCK",,1,1,,W,,,,,M20768,,M20530,,
36-1,2,,172183-03280,, "LABEL, LOCK",,2,2,,K,,,,,M21277,,M20679,,
37,2,,172164-03500,, LABEL,,1,1,,W,,,,,M21247,,M20673,,
38,2,,172164-03510,, LABEL,,1,1,,W,,,,,M21247,,M20673,,
39,2,,172164-03520,, LABEL,,1,1,,W,,,,,M21247,,M20673,,
40,2,,172164-03540,, LABEL,,1,1,,W,,,,,M21247,,M20673,,
41,2,,172165-03661,, LABEL,,1,1,,W,,,,,M21247,,M20673,,
42,2,,172519-04300,, LABEL,,1,1,,W,,,,,M21247,,M20673,,
43,2,,172964-03390,, LABEL,,1,1,,W,,,,,M21247,,M20673,,
44,2,,172964-03480,, LABEL,,1,1,,W,,,,,M21247,,M20673,,
44-1,2,,172964-03481,, LABEL,,1,1,,N,,,,,M21273,,M50001,,
45,2,,172964-03610,, "LABEL A",,1,1,,W,,,,,M21247,,M20673,,
48,1,,172168-03400,, LABEL,,1,1,,1,,,,,,,,,,,,,

Fig. 2 銘板 (B12/17-2) LABEL (B12/17-2)

B12-2P (R)
B17-2P (R)

見出しNo.1,1-1,2,2-1は、見出しNo.3から45を含みます。
1,1-1,2,2-1 inc. 3~45

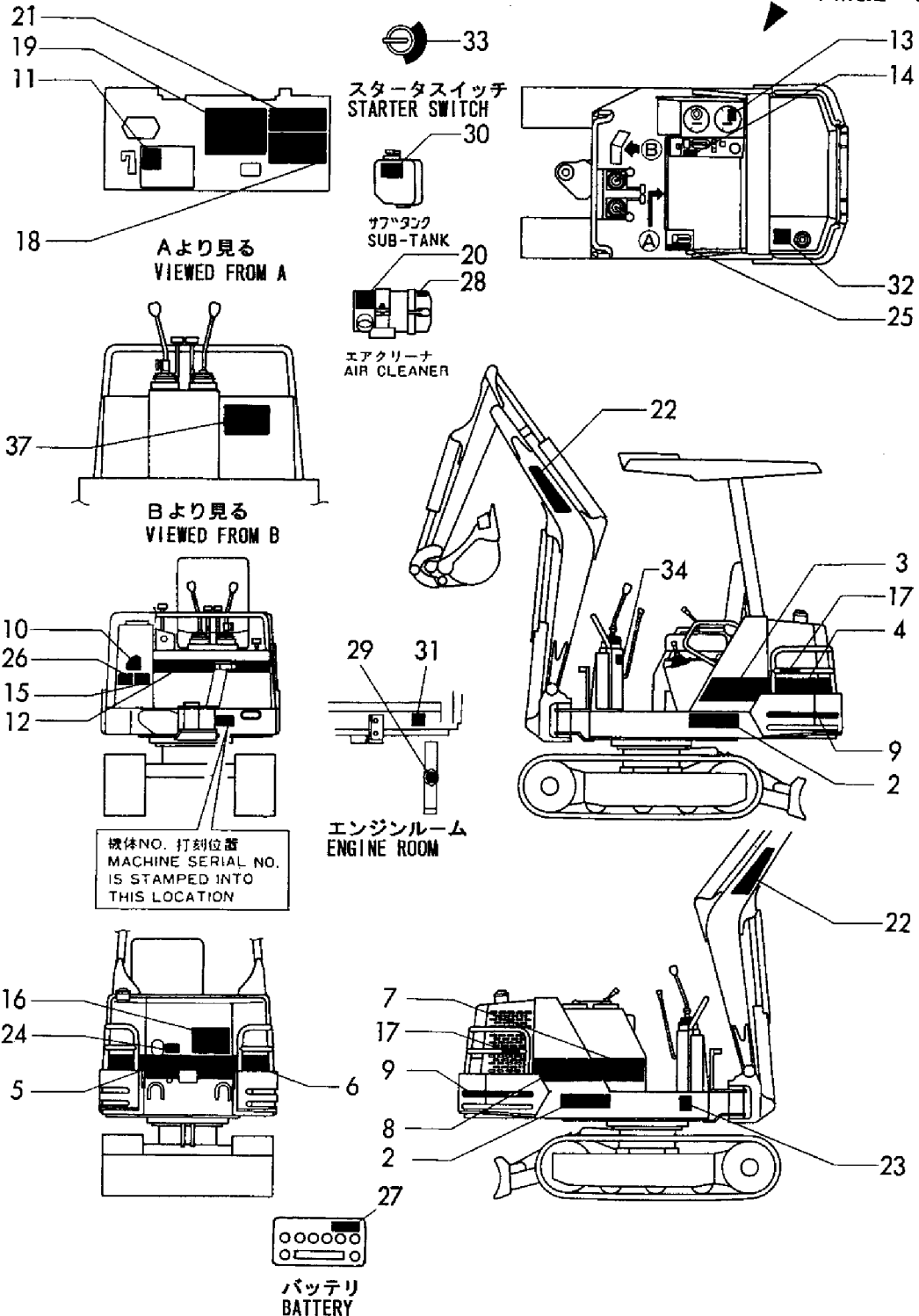


1,1,,772150-03720,, "LABEL SET",,,,,,1,,,,,,,,,,,,,
2,2,,172150-03120,, LABEL,,,,,2,,,,,,,,,,,,,
3,2,,172149-03180,, LABEL,,,,,1,,,,,,,,,,,,,
4,2,,172149-03190,, LABEL,,,,,1,,,,,,,,,,,,,
5,2,,172149-03200,, "LABEL, STRIPE(R)",,,,,,1,,,,,,,,,,,,,
6,2,,172149-03210,, LABEL,,,,,1,,,,,,,,,,,,,
7,2,,172149-03220,, LABEL,,,,,1,,,,,,,,,,,,,
8,2,,172149-03230,, LABEL,,,,,1,,,,,,,,,,,,,
9,2,,172149-03261,, LABEL,,,,,1,,,,,,,,,,,,,
10,2,,172149-03272,, LABEL,,,,,1,,,,,,,,,,,,,
11,2,,172137-03301,, "LABEL, TURNING LOCK",,,,,,1,,,,,,,,,,,,,
12,2,,172149-03300,, "LABEL, FRONT",,,,,,1,,,,,,,,,,,,,
13,2,,172142-03310,, LABEL,,,,,1,,,,,,,,,,,,,
14,2,,172141-03440,, LABEL,,,,,1,,,,,,,,,,,,,
15,2,,172141-03450,, "LABEL, RESERVER(C)",,,,,,1,,,,,,,,,,,,,
16,2,,172141-03460,, "LABEL, (D)",,,,,,1,,,,,,,,,,,,,
17,2,,172141-03490,, "LABEL, PROTECTOR",,,,,,2,,,,,,,,,,,,,
18,2,,172165-03500,, "LABEL, GREASE FEED",,,,,,1,,,,,,,,,,,,,
19,2,,172149-03521,, LABEL,,,,,1,,,,,,,,,,,,,
20,2,,172142-03530,, LABEL,,,,,1,,,,,,,,,,,,,
21,2,,172150-03531,, "LABEL, SPECIFICATION",,,,,,1,,,,,,,,,,,,,
22,2,,172519-03680,, "LABEL, BRAND",,,,,,2,,,,,,,,,,,,,
23,2,,172122-03740,, "LABEL, GREASE",,,,,,1,,,,,,,,,,,,,
24,2,,172519-03770,, LABEL,,,,,1,,,,,,,,,,,,,
25,2,,172137-03780,, "LABEL, THROTTLE",,,,,,1,,,,,,,,,,,,,
26,2,,172155-03790,, LABEL,,,,,1,,,,,,,,,,,,,
27,2,,172122-03912,, LABEL,,,,,1,,,,,,,,,,,,,
28,2,,172125-03950,, "LABEL, AIR CLEANER",,,,,,1,,,,,,,,,,,,,
29,2,,121120-44800,, "LABEL, RADIATOR",,,,,,1,,,,,,,,,,,,,
30,2,,124764-44810,, "LABEL, SUB-TANK",,,,,,1,,,,,,,,,,,,,
31,2,,124764-44920,, "LABEL, ANTI-FREEZING",,,,,,1,,,,,,,,,,,,,
32,2,,933112-52100,, "LABEL, FUEL",,,,,,1,,,,,,,,,,,,,
33,2,,933112-20200,, "LABEL, KEY SWITCH",,,,,,1,,,,,,,,,,,,,
34,2,,172183-03280,, "LABEL, LOCK",,,,,,1,,,,,,,,,,,,,
35,2,,172171-03400,, PLATE,,,,,1,, W,,,,,,,,,,,,, M20696
38,1,,933112-21400,, "LABEL(A2), OPERATION",,,,,,1,, 1,,,,,,,,,,,,,

Fig. 3 銘板 (B17-2 (AS, EX)) LABEL (B17-2 (AS, EX))

B17-2P(R) AS
B17-2P(R) EX

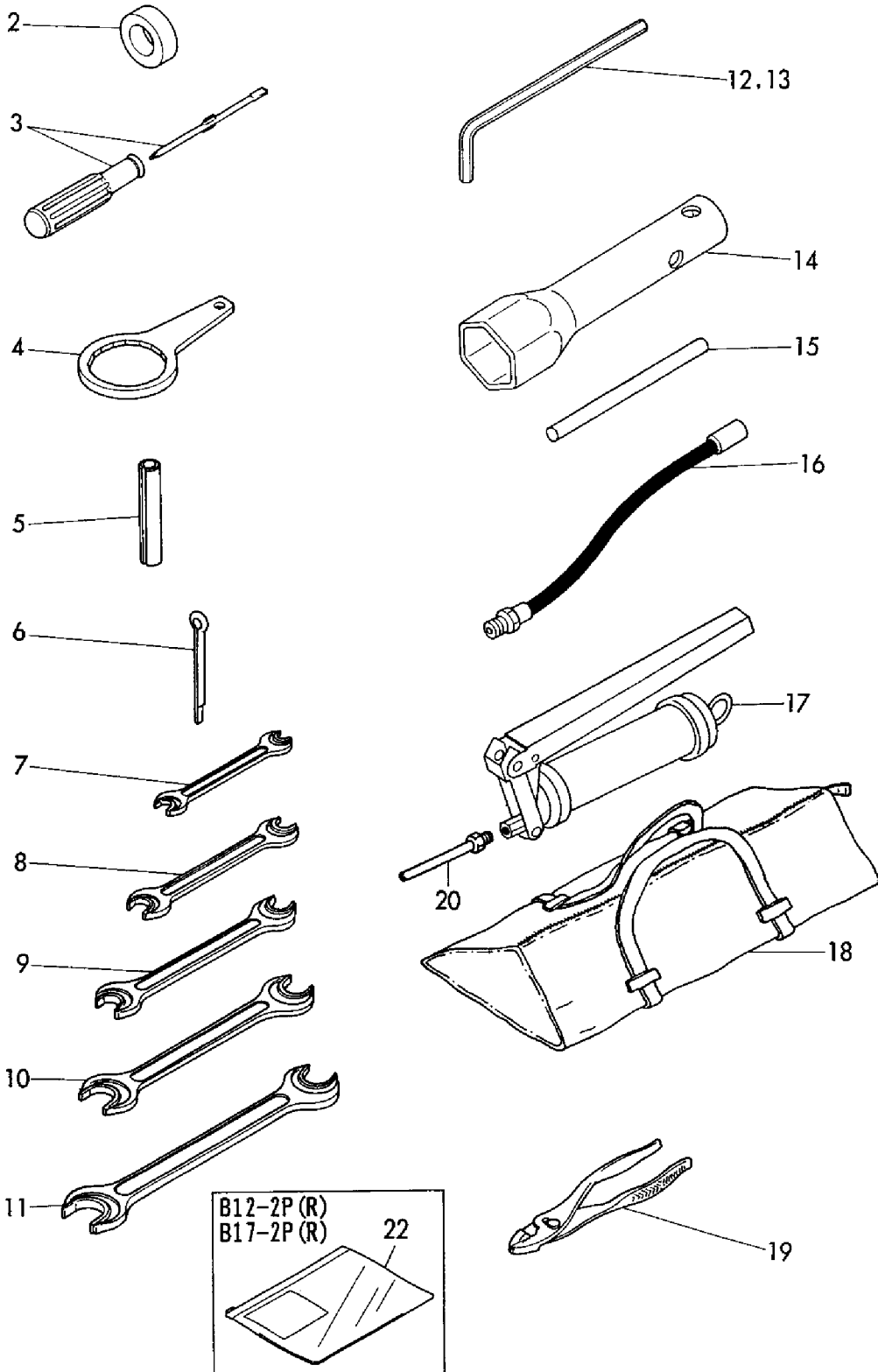
見出しNo. 1 は、見出しNo. 2 から34を含みます。
1 inc. 2 ~ 34



1,1,,772149-05100,, "TOOL ASSY",1,,1,,,,,,,,,,,,,
1-1,1,,772149-05101,, "TOOL ASSY",1,1,1,1,1,1,N,,,*1994.02,,,,,*1994.02,,,,,
2,2,,172137-38131,, "COLLAR, LINK",4,4,4,4,4,,,,,,,,,,,,,
3,2,,104200-92350,, "DRIVER, SCREW",1,1,1,1,1,1,,,,,,,,,,,,,
4,2,,119640-92750,, "WRENCH, FILTER",1,1,1,1,1,1,,,,,,,,,,,,,
5,2,,22351-060020,, "SPRING PIN 6X20",4,4,4,4,4,4,,,,,,,,,,,,,
6,2,,22417-800450,, "COTTER PIN 8.0X45",4,,4,,,,,Z,,,,*1994.02,,,,,*1994.02,,,,,
7,2,,28110-080100,, "WRENCH 8X10",1,1,1,1,1,1,,,,,,,,,,,,,
8,2,,28110-120140,, "WRENCH 12X14",1,,1,,,,,,,,,,,,,
8-1,2,,28110-120140,, "WRENCH 12X14",2,2,2,2,2,K,,,,*1994.02,,,,,*1994.02,,,,,
9,2,,28110-170190,, "WRENCH 17X19",1,1,1,1,1,1,,,,,,,,,,,,,
10,2,,28110-220240,, "WRENCH 22X24",1,1,1,1,1,1,,,,,,,,,,,,,
11,2,,28110-270300,, "WRENCH 27X30",1,1,1,1,1,1,,,,,,,,,,,,,
12,2,,28150-025000,, "BAR WRENCH 2.5",1,,1,,,,,Z,,,,M00501,,,,,M00501,,,,,
13,2,,28150-080000,, "BAR WRENCH 8",1,1,1,1,1,1,,,,,,,,,,,,,
14,2,,28227-271400,, "BOX WRENCH 27X140",1,1,1,1,1,1,,,,,,,,,,,,,
15,2,,28230-120250,, "TURNING HANDLE",1,1,1,1,1,1,,,,,,,,,,,,,
16,2,,933110-09700,, "HOSE, GREASE",1,1,1,1,1,1,,,,,,,,,,,,,
16-1,2,,933110-09701,, "HOSE, GREASE",,1,,1,1,N,,,,,M21253,,,,,M20673,,M20673
17,2,,933110-09800,, "GUN 800, GREASE",1,1,1,1,1,1,,,,,,,,,,,,,
17-1,2,,933110-09801,, "GUN 800, GREASE",,1,,1,1,N,,,,,M21253,,,,,M20673,,M20673
18,2,,933110-90000,, "BAG, TOOL",1,1,1,1,1,1,,,,,,,,,,,,,
19,2,,933171-00470,, "PLIERS 200",1,1,1,1,1,1,,,,,,,,,,,,,
20,2,,172122-05100,, "NOZZLE",1,1,1,1,1,1,W,,,,M00501,,,,,M00501,,,,,
20-1,2,,172122-05101,, "NOZZLE",,1,,1,1,N,,,,,M21253,,,,,M20673,,M20673
22,1,,172176-07330,, "BAG, MANUAL",,1,,1,1,W,,,,,M21238,,,,,M20671,,M20671

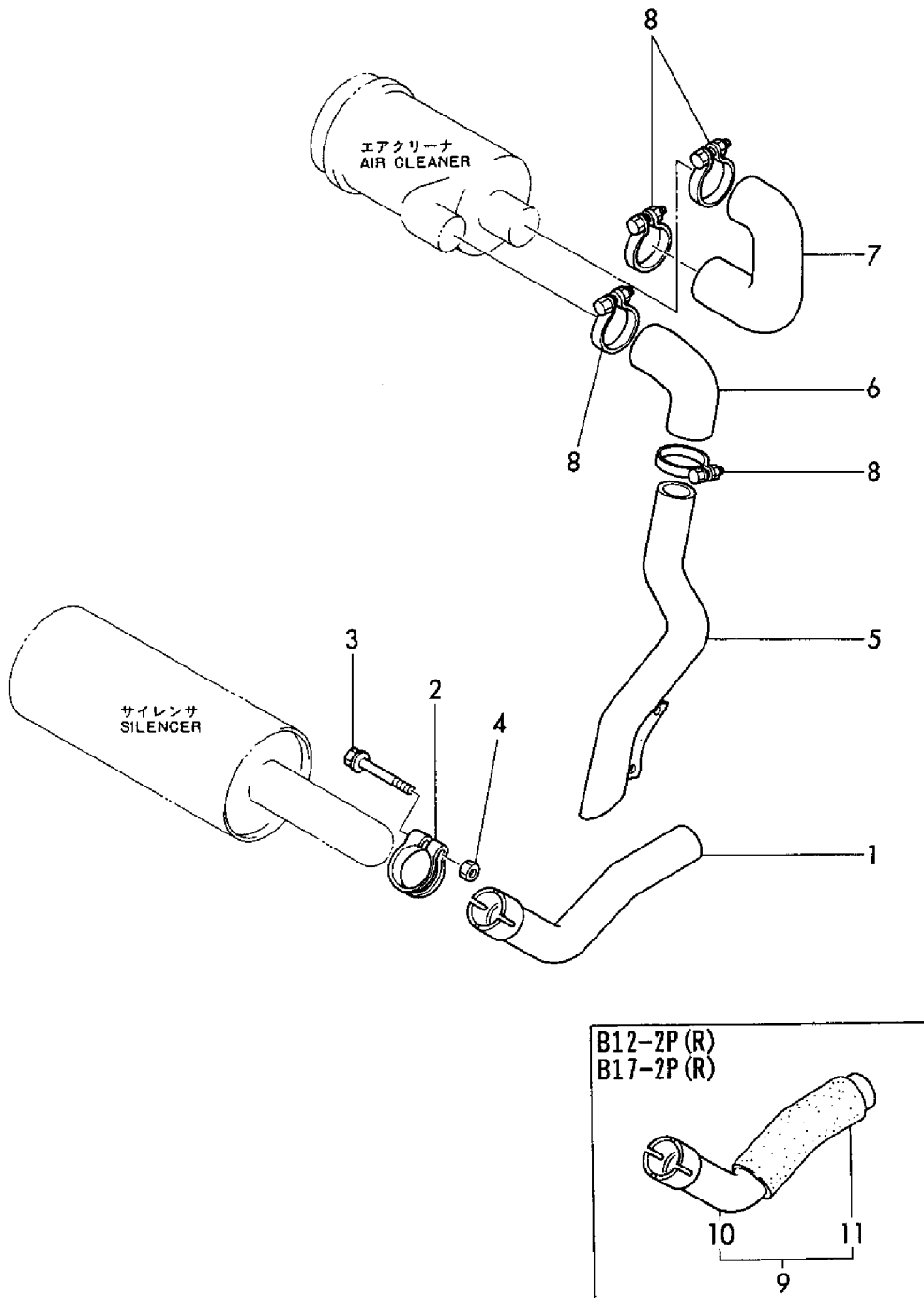
Fig. 4 工具 TOOL

見出しNo.1は、見出しNo.2から20を含みます。
1 inc. 2 ~ 20



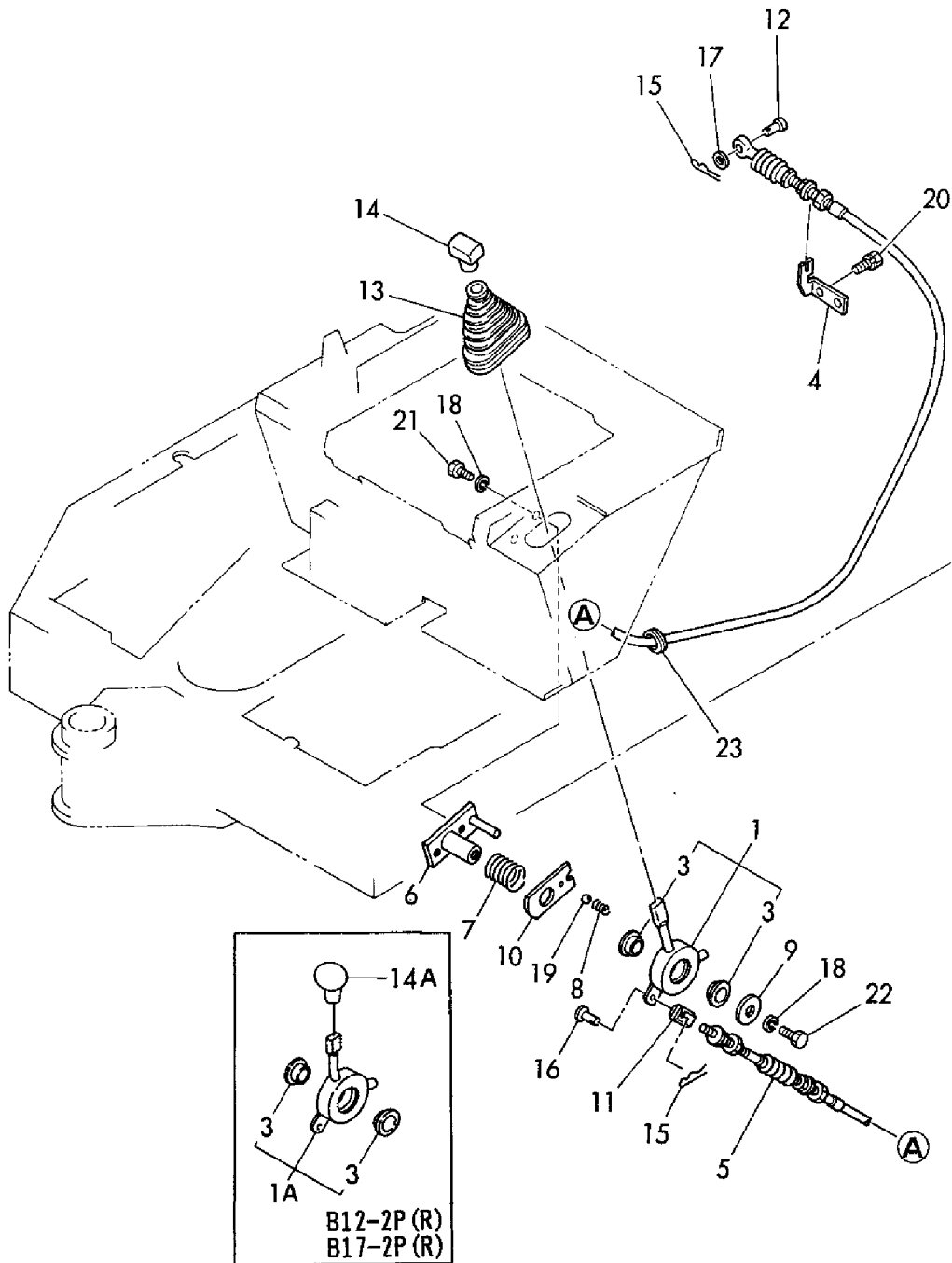
1,1,,172149-11300,, "EXTENSION, SILENCER",1,1,1,1,1,,,,,,,,,
1-1,1,,172149-11300,, "EXTENSION,
SILENCER",,1,,1,1,,Z,,,,,M21253,,,,M20673,,M20673
2,1,,121120-13580,,CLAMP,1,1,1,1,1,,,,,,,,,
3,1,,26106-100652,, "BOLT M10X 65 PLATED",1,1,1,1,1,,,,,,,,,
4,1,,26716-100002,, "NUT M10",1,1,1,1,1,,,,,,,,,
5,1,,172149-11500,, "PIPE, AIR",1,1,1,1,1,,,,,,,,,
6,1,,172149-11530,,HOSE,1,1,1,1,1,,,,,,,,,
7,1,,172149-11540,,HOSE,1,,1,,,,Z,,,M00501,,,,M00501,,,,,
8,1,,23000-060000,, "CLAMP 60",4,,4,,,,,,,,,
8-1,1,,23000-060000,, "CLAMP 60",2,2,2,2,2,,K,,,M00501,,,,M00501,,,,,
9,1,,172149-11290,, "PIPE ASSY, EXTERNAL",,1,,1,1,,W,,,,,M21253,,,,M20673,,M20673
10,2,,172149-11300,, "EXTENSION,
SILENCER",,1,,1,1,,W,,,,,M21253,,,,M20673,,M20673
11,2,,172149-11310,,MAT,1,,1,1,,W,,,,,M21253,,,,M20673,,M20673

Fig. 5 吸気管&噴出口
INLET HOSE & EXHAUST PIPE



1,1,,172141-12100,, "LEVER W/BUSH, ACCEL",1,,1,,,,,,,,,,,,,
1A,1,,172149-12150,, "LEVER W/BUSH, ACCEL",,1,,1,1,,,,,,,,,,,,,
3,2,,172141-12220,, "BUSH 30X10",2,2,2,2,2,,,,,,,,,,,,,
4,1,,172149-12100,, "SUPPORT, CABLE",1,1,1,1,1,,,,,,,,,,,,,
5,1,,172149-12110,, "CABLE, THROTTLE",1,1,1,1,1,,,,,,,,,,,,,
6,1,,172141-12160,, BRACKET,1,1,1,1,1,,,,,,,,,,,,,
7,1,,172141-12232,, SPRING,1,1,1,1,1,,,,,,,,,,,,,
8,1,,172141-12240,, SPRING,1,1,1,1,1,,,,,,,,,,,,,
9,1,,172141-12250,, PLATE,1,1,1,1,1,,,,,,,,,,,,,
10,1,,172141-12260,, PLATE,1,1,1,1,1,,,,,,,,,,,,,
11,1,,172137-12270,, "JOINT, CABLE",1,1,1,1,1,,,,,,,,,,,,,
12,1,,172113-12521,, "PIN, CABLE",1,1,1,1,1,,,,,,,,,,,,,
13,1,,172141-41340,, BOOTS,1,1,1,1,1,,,,,,,,,,,,,
14,1,,172122-46630,, "KNOB(D), LEVER",1,,1,,,,,,,,,,,,,
14A,1,,172146-12150,, "GRIP,ACCELERATOR",,1,,1,1,,,,,,,,,,,,,
15,1,,1C6281-52310,, "PIN 6,COME-OFF SNAP",2,2,2,2,2,,,,,,,,,,,,,
16,1,,1A1040-56900,, "PIN 6X 17",1,1,1,1,1,,,,,,,,,,,,,
17,1,,22137-060000,, "WASHER 6, POLISHED",1,1,1,1,1,,,,,,,,,,,,,
18,1,,22217-100000,, "SPRING WASHER 10",3,3,3,3,3,,,,,,,,,,,,,
19,1,,24190-160001,, "BALL 1/2",1,1,1,1,1,,,,,,,,,,,,,
20,1,,26013-080162,, "BOLT W/WASHER M8X16",2,2,2,2,2,,,,,,,,,,,,,
21,1,,26116-100202,, "BOLT M10X 20 PLATED",2,2,2,2,2,,,,,,,,,,,,,
22,1,,26116-100302,, "BOLT M10X 30 PLATED",1,1,1,1,1,,,,,,,,,,,,,
23,1,,933171-15680,, "GROMMET 40X13",1,1,1,1,1,,,,,,,,,,,,,

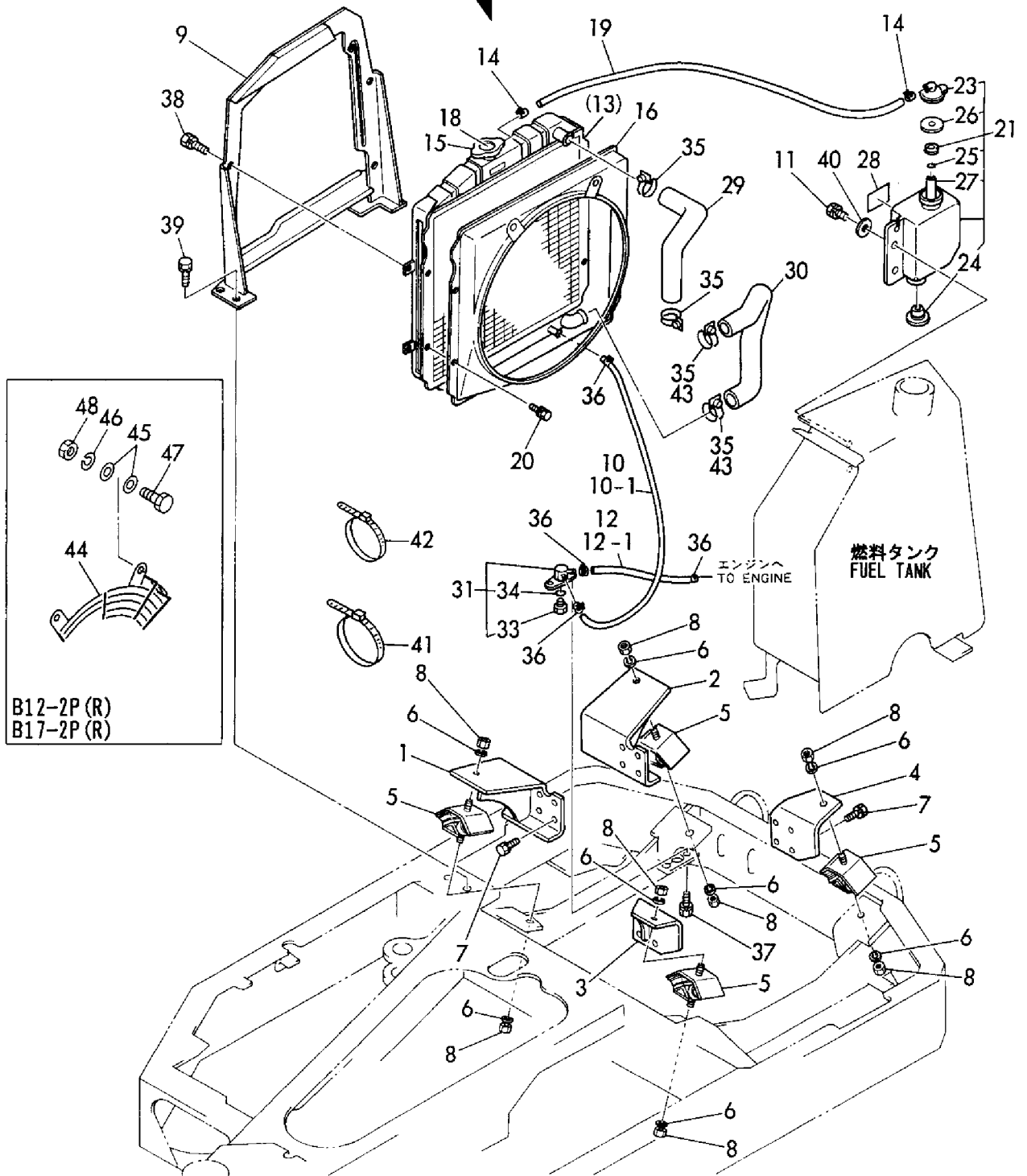
Fig. 6 アクセル
ACCELERATOR



1,1,,172137-13111,, "ENGINE BED(A), LEFT",1,1,1,1,1,,,,,,,,,,,,,
2,1,,172137-13141,, "ENGINE BED(A), RIGHT",1,1,1,1,1,,,,,,,,,,,,,
3,1,,172137-13161,, "ENGINE BED(B), LEFT",1,1,1,1,1,,,,,,,,,,,,,
4,1,,172137-13171,, "ENGINE BED(B), RIGHT",1,1,1,1,1,,,,,,,,,,,,,
5,1,,172137-13180,, "ABSORBER, SHOCK",4,4,4,4,4,,,,,,,,,,,,,
6,1,,22217-100000,, "SPRING WASHER 10",8,8,8,8,8,,,,,,,,,,,,,
7,1,,26013-100202,, "BOLT W/WASHER M10X20",16,16,16,16,16,,,,,,,,,,,,,
8,1,,26716-100002,, "NUT M10",8,8,8,8,8,,,,,,,,,,,,,
9,1,,172149-13290,, "MOUNT, RADIATOR",1,1,1,1,1,,,,,,,,,,,,,
10,1,,172734-14620,, "PIPE L=300, FUEL",1,1,1,1,1,,,,,,,,,,,,,
10-1,1,,172164-14630,, "HOSE 400",1,1,1,N,,,,,M20844,,,,M20568,,M20568
11,1,,26013-060162,, "BOLT M 6X 16",2,2,2,2,2,,,,,,,,,,,,,
12,1,,172149-13500,, "HOSE",1,1,1,1,1,,,,,,,,,,,,,
12-1,1,,172164-14630,, "HOSE 400",1,1,1,N,,,,,M20844,,,,M20568,,M20568
13,1,,119631-44502,, "RADIATOR",1,1,1,1,1,,,,,,,,,,,,,
14,2,,121250-44590,, "CLAMP",2,2,2,2,2,,,,,,,,,,,,,
15,2,,124450-44590,, "CAP, RADIATOR",1,1,1,1,1,,,,,,,,,,,,,
16,2,,119631-44610,, "SHROUD,RADIATOR",1,1,1,1,1,,,,,,,,,,,,,
18,2,,119631-44800,, "LABEL, RADIATOR",1,1,1,1,1,,,,,,,,,,,,,
19,2,,124738-49150,, "PIPE, WATER DRAIN",1,1,1,1,1,,,,,,,,,,,,,
20,2,,26014-080162,, "BOLT M 8X 16",4,4,4,4,4,,,,,,,,,,,,,
21,1,,121468-44510,, "SUB-TANK ASSY",1,1,1,1,1,,,,,,,,,,,,,
23,2,,121450-44531,, "CAP",1,1,1,1,1,,,,,,,,,,,,,
24,2,,121468-44540,, "PLUG, SUB-TANK",1,1,1,1,1,,,,,,,,,,,,,
25,2,,124450-44560,, "CLAMP",1,1,1,1,1,,,,,,,,,,,,,
26,2,,121470-44581,, "GASKET",1,1,1,1,1,,,,,,,,,,,,,
27,2,,23065-070130,, "PIPE 7X 130",1,1,1,1,1,,,,,,,,,,,,,
28,1,,121470-44540,, "LABEL, SUB-TANK",1,1,1,1,1,,,,,,,,,,,,,
29,1,,119645-49010,, "PIPE (A), C. WATER",1,1,1,1,1,,,,,,,,,,,,,
30,1,,119631-49020,, "PIPE, COOLING WATER",1,1,1,1,1,,,,,,,,,,,,,
31,1,,121450-49110,, "COCK ASSY, 3-WAY",1,1,1,1,1,,,,,,,,,,,,,
33,2,,121250-49121,, "PLUG",1,1,1,1,1,,,,,,,,,,,,,
34,2,,24311-000160,, "O-RING 1A P-16.0",1,1,1,1,1,,,,,,,,,,,,,
35,1,,23010-040000,, "CLAMP 40",4,,4,,,,,,,,,,,,,
35-1,1,,23010-040000,, "CLAMP 40",2,2,2,2,2,K,,,,M00501,,,,M00501,,,,,
36,1,,23080-011000,, "CLAMP 11",4,4,4,4,4,,,,,,,,,,,,,
37,1,,26013-080162,, "BOLT W/WASHER M8X16",2,2,2,2,2,,,,,,,,,,,,,
38,1,,26013-080162,, "BOLT W/WASHER M8X16",4,4,4,4,4,,,,,,,,,,,,,
39,1,,26013-100252,, "BOLT W/WASHER M10X25",4,4,4,4,4,,,,,,,,,,,,,
40,1,,22137-060000,, "WASHER 6, POLISHED",2,2,2,2,2,,,,,,,,,,,,,
41,1,,172122-79890,, "CLAMP 350",1,1,1,1,1,W,,,,M00501,,,,M00501,,,,,
42,1,,194202-56460,, "BAND",1,1,1,1,1,W,,,,M00501,,,,M00501,,,,,
43,1,,23010-038000,, "CLAMP 38",2,2,2,2,2,W,,,,M00501,,,,M00501,,,,,
44,1,,172149-13400,, "NET, WIRE",1,1,1,W,,,,M21253,,,,M20673,,M20673
45,1,,22137-080000,, "WASHER 8, POLISHED",4,4,4,W,,,,M21253,,,,M20673,,M20673
46,1,,22217-080000,, "SPRING WASHER 8",2,2,2,W,,,,M21253,,,,M20673,,M20673
47,1,,26116-080202,, "BOLT M 8X 20
PLATED",2,2,2,W,,,,M21253,,,,M20673,,M20673
48,1,,26716-080002,, "NUT M 8",2,2,2,W,,,,M21253,,,,M20673,,M20673

Fig. 7 エンジンマウント & ラジエータ ENGINE MOUNT & RADIATOR

見出しNo. 13は、見出しNo. 14 から 20を含みます。
13 inc. 14 ~ 20



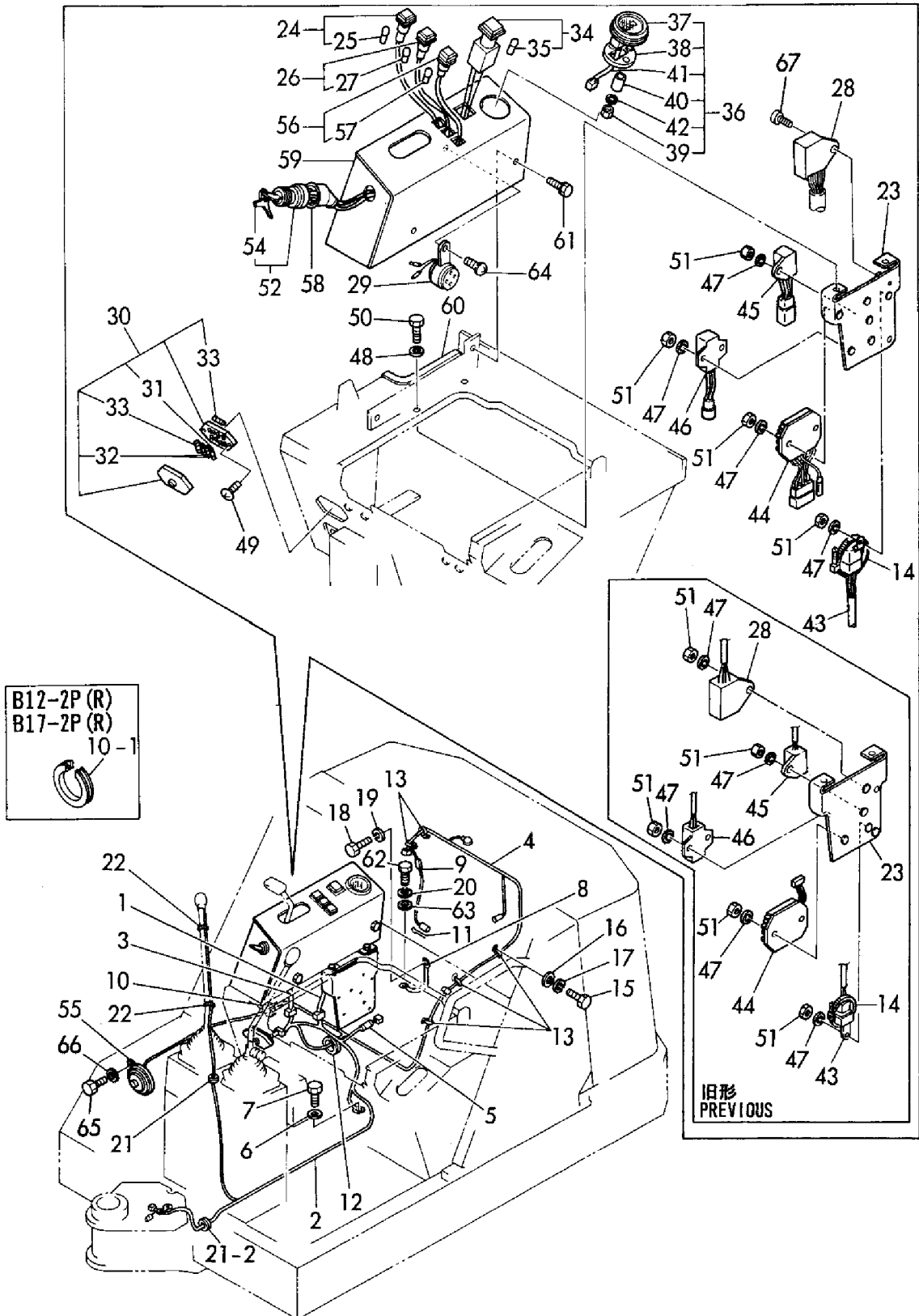
1,1,,772149-14100,, "FUEL TANK ASSY",1,1,,,,,,,,,,,,,
1-1,1,,772149-14101,, "TANK ASSY, FUEL",1,1,,,,,N,,,M00501,,,,,M00501,,,,,
1A,1,,772149-14101-1,, "TANK ASSY, FUEL",,1,1,1,,,,,,,,,,,,,
3,2,,172149-14250,, "GAUGE, FUEL",1,1,1,1,1,,,,,,,,,,,,,
3-1,2,,172149-14251,, "HOSE",,1,1,1,N,,,,,M20876,,,,,M20575,,M20575
4,2,,172141-14260,, "FLOAT",1,1,1,1,1,,,,,,,,,,,,,
5,2,,172149-14260,, "SEAL",,1,1,,,,,Z,,,M00501,,,,,M00501,,,,,
6,2,,172122-14300,, "CAP, FUEL TANK",1,1,1,1,1,,,,,,,,,,,,,
6A,3,,105430-55070,, "GASKET",1,1,1,1,1,W,,,,,M00501,,,,,M00501,,,,,
7,2,,101504-55101,, "STRAINER, FUEL INLET",1,1,1,1,1,,,,,,,,,,,,,
8,2,,23010-014000,, "CLAMP 14",2,2,2,2,2,,,,,,,,,,,,,
9,2,,104200-11920,, "COCK",1,1,1,1,1,,,,,,,,,,,,,
10,1,,22137-120000,, "WASHER 12, POLISHED",3,3,3,3,3,,,,,,,,,,,,,
11,1,,23080-013000,, "CLAMP 13, HOSE",1,1,1,1,1,,,,,,,,,,,,,
12,1,,26013-120302,, "BOLT W/WASHER M12X30",3,3,3,3,3,,,,,,,,,,,,,
13,1,,933169-22940,, "SPACER, RESERVOIR",1,1,1,1,1,,,,,,,,,,,,,
14,1,,172149-14600,, "SUPPORT",1,1,,,,,,,,,,,,,
14-1,1,,172149-14601,, "SUPPORT",1,1,1,1,1,R,,,M00614,,,,,M00611,,,,,
15,1,,172149-14620,, "HOSE",1,1,1,1,1,,,,,,,,,,,,,
16,1,,172149-14630,, "HOSE",2,2,2,2,2,,,,,,,,,,,,,
17,1,,172126-16540,, "CLAMP 10X70",2,2,2,2,2,,,,,,,,,,,,,
18,1,,129335-55700,, "SEPARATOR, WATER",1,1,1,1,1,,,,,,,,,,,,,
19,2,,104200-55321,, "VALVE, TAPER",1,1,1,1,1,,,,,,,,,,,,,
20,2,,104200-55330,, "SPRING, TAPER VALVE",1,1,1,1,1,,,,,,,,,,,,,
21,2,,104200-55341,, "HANDLE, COCK",1,1,1,1,1,,,,,,,,,,,,,
22,2,,124064-55510,, "BOWL, FUEL STRAINER",1,1,1,1,1,,,,,,,,,,,,,
23,2,,102103-55520,, "O-RING",1,1,1,1,1,,,,,,,,,,,,,
24,2,,110250-55610,, "RING, RETAINING",1,1,1,1,1,,,,,,,,,,,,,
25,2,,121257-55720,, "SPRING, SCREEN",1,1,1,1,1,,,,,,,,,,,,,
26,2,,121257-55731,, "FLOAT",1,1,1,1,1,,,,,,,,,,,,,
28,2,,101720-55750,, "PLUG 6",2,2,2,2,2,,,,,,,,,,,,,
29,2,,104200-55750,, "SCREW M 4",1,1,1,1,1,,,,,,,,,,,,,
30,2,,171081-55910,, "SCREEN",1,1,1,1,1,,,,,,,,,,,,,
31,2,,23418-060000,, "GASKET 6, NYLON",2,2,2,2,2,,,,,,,,,,,,,
32,2,,24311-240100,, "O-RING 1A P-10A",1,1,1,1,1,,,,,,,,,,,,,
33,1,,124766-59050,, "CLAMP 12",6,6,6,6,6,,,,,,,,,,,,,
34,1,,22217-080000,, "SPRING WASHER 8",1,1,1,1,1,,,,,,,,,,,,,
35,1,,26116-080802,, "BOLT M 8X 80 PLATED",1,1,,,,,,,,,,,,,
35-1,1,,26116-080652,, "BOLT M 8X 65 PLATED",1,1,1,1,1,R,,,M00614,,,,,M00611,,,,,
36,1,,26013-080162,, "BOLT W/WASHER M8X16",1,1,,,,,,,,,,,,,
36-1,1,,26013-080162,, "BOLT W/WASHER M8X16",2,2,2,2,2,K,,,M00614,,,,,M00611,,,,,
37,1,,172149-14190,, "PLATE, GAUGE",1,1,1,1,1,,,,,,,,,,,,,
38,1,,26557-060082,, "SCREW M 6X 8",2,2,2,2,2,,,,,,,,,,,,,
39,1,,22217-060000,, "SPRING WASHER 6",2,2,2,2,2,,,,,,,,,,,,,
40-1,1,,23061-100250,, "PIPE 10X 250",1,1,1,1,1,1,,,,,,,,,,,,,
41,1,,194202-56460,, "BAND",1,1,1,1,1,W,,,M00501,,,,,M00501,,,,,

1,1,,172149-16100,, "HARNESS, BATTERY",1,1,1,1,1,,,,,,,,,,,,,
2,1,,172149-16110,, "HARNESS, BATTERY",1,1,1,1,1,,,,,,,,,,,,,
3,1,,194300-51310,, "BATTERY NS60",1,1,1,1,1,,,,,,,,,,,,,
4,1,,22217-080000,, "SPRING WASHER 8",2,,2,,,,,,,,,,,,,
4-1,1,,22137-080000,, "WASHER 8, POLISHED",2,2,2,2,2,2,N,,,M01358,,,,,M00997,,,,,
5,1,,22137-060000,, "WASHER 6, POLISHED",2,2,2,2,2,,,,,,,,,,,,,
6,1,,26716-080002,, "NUT M 8",2,2,2,2,2,,,,,,,,,,,,,
7,1,,172149-16300,, "SUPPORT, BATTERY",1,,1,,,,,,,,,,,,,
7-1,1,,172149-16301,, "SUPPORT, BATTERY",1,1,1,1,1,1,S,,,M00614,,,,,M00611,,,,,
8,1,,172149-16320,, "STAY, BATTERY",1,1,1,1,1,,,,,,,,,,,,,
9,1,,194940-64750,, "CLAMP, BATTERY",1,1,1,1,1,,,,,,,,,,,,,
10,1,,194515-64760,, "ROD, BATTERY CLAMP",2,2,2,2,2,,,,,,,,,,,,,
11,1,,26013-100202,, "BOLT W/WASHER M10X20",7,7,7,7,7,,,,,,,,,,,,,
12,1,,26716-060002,, "NUT M6",4,4,4,4,4,,,,,,,,,,,,,
13,1,,172149-16380,, "STAY, BATTERY",1,,1,,,,,,,,,,,,,
13-1,1,,172149-16381,, "STAY, BATTERY",1,,1,,,,,S,,,M00614,,,,,M00611,,,,,
13-2,1,,172149-16382,, "STAY, BATTERY",1,1,1,1,1,1,N,,,M01223,,,,,M00927,,,,,
14,1,,194440-51550,, "COVER, BATTERY",1,1,1,1,1,,,,,,,,,,,,,
15,1,,172149-16120,, "HARNESS F, EARTH",1,1,1,1,1,1,W,,,M01358,,,,,M00997,,,,,

1,1,,172149-16500,, "HARNESS A",1,1,1,1,1,,,,,,,,,,,,,
2,1,,172149-16510,, HARNESS(B,1,,1,,,,,,,,,,,,,
2-1,1,,172149-16511,, HARNESS(B,1,1,1,1,1,,F,1,,*1993.05,,,,*1993.05,,,,,
2-2,1,,172149-16512,, HARNESS(B,,1,,1,1,,F,2,,,,M20768,,,,M20530,,M20530
3,1,,172149-16520,, "HARNESS, STARTER",1,1,1,1,1,,,,,,,,,,,,,
4,1,,172149-16530,, HARNESS(E,1,1,1,1,1,,,,,,,,,,,,,
5,1,,172122-16570,, "LINK, FUSIBLE",1,1,1,1,1,,,,,,,,,,,,,
6,1,,22137-100000,, "WASHER 10,POLISHED",1,1,1,1,1,,,,,,,,,,,,,
7,1,,26117-100162,, "BOLT M10X 16 PLATED",1,1,1,1,1,,,,,,,,,,,,,
8,1,,933171-15801,, "WIRE, EARTH",1,1,1,1,1,,,,,,,,,,,,,
9,1,,172149-16540,, HARNESS(F,1,1,1,1,1,,,,,,,,,,,,,
10,1,,933171-15680,, "GROMMET 40X13",1,,1,,,,,,,,,,,,,
10-1,1,,172149-16550,, "GROMMET 40X13",1,1,1,1,1,,N,,,,*1986.06,,,,*1986.06,,,,,
11,1,,22417-200250,, "COTTER PIN 2.0X25",1,1,1,1,1,,,,,,,,,,,,,
12,1,,933110-58400,, "GROMMET 43",1,1,1,1,1,,,,,,,,,,,,,
13,1,,172126-16540,, "CLAMP 10X70",5,,5,,,,,,,,,,,,,
13-1,1,,172126-16540,, "CLAMP 10X70",3,3,3,3,3,,K,,,,M00501,,,,M00501,,,,,
14,1,,194202-56460,, BAND,1,1,1,1,1,,,,,,,,,,,,,
15,1,,26116-060122,, "BOLT M 6X 12",1,,1,,,,Z,,,,M00501,,,,M00501,,,,,
16,1,,22157-060000,, "WASHER 6",1,,1,,,,Z,,,,M00501,,,,M00501,,,,,
17,1,,22217-060000,, "SPRING WASHER 6",1,,1,,,,Z,,,,M00501,,,,M00501,,,,,
18,1,,26116-120162,, "BOLT M12X 16 PLATED",1,1,1,1,1,,,,,,,,,,,,,
19,1,,22217-120000,, "WASHER 12,SPRING",1,1,1,1,1,,,,,,,,,,,,,
20,1,,22217-100000,, "SPRING WASHER 10",1,1,1,1,1,,,,,,,,,,,,,
21,1,,933168-56000,, "GROMMET 17X19",1,,1,,,,,,,,,,,,,
21-1,1,,933160-09220,, GROMMET,1,,1,,,,N,,,,MXXX,,,,MXXX,,,,,
21-2,1,,1A1140-58060,, GROMMET,2,2,2,2,2,,R,,,,M00501,,,,M00501,,,,,
22,1,,933168-55770,, "BAND 146",2,2,2,2,2,,,,,,,,,,,,,
23,1,,172149-17100,, PLATE,1,1,1,1,1,,,,,,,,,,,,,
24,1,,172149-17120,, LAMP,1,1,1,1,1,,,,,,,,,,,,,
25,2,,172149-17140,, BULB(12V-3.4W,1,1,1,1,1,,,,,,,,,,,,,
26,1,,172149-17130,, LAMP,1,1,1,1,1,,,,,,,,,,,,,
27,2,,172149-17140,, BULB(12V-3.4W,1,1,1,1,1,,,,,,,,,,,,,
28,1,,172141-17141,, "UNIT, CHECKER",1,1,1,1,1,,,,,,,,,,,,,
29,1,,172141-17150,, BUZZER,1,1,1,1,1,,,,,,,,,,,,,
30,1,,172141-17160,, "BOX, FUSE",1,,1,,,,,,,,,,,,,
30-1,1,,172141-17161,, "BOX, FUSE",1,1,1,1,1,,N,,,,*1993.05,,,,*1993.05,,,,,
31,2,,29411-050000,, "FUSE (5A),CARTRIDGE",1,,1,,,,Z,,,,*1993.05,,,,*1993.05,,,,,
32,2,,29411-100000,, "FUSE (10A),CARTRIDGE",2,,2,,,,Z,,,,*1993.05,,,,*1993.05,,,,,
33,2,,29411-150000,, "FUSE (15A),CARTRIDGE",2,,2,,,,,,,,,,,,,
33-1,2,,29411-150000,, "FUSE
(15A),CARTRIDGE",5,5,5,5,5,,K,,,,*1993.05,,,,*1993.05,,,,,
34,1,,172141-17190,, "SWITCH, WORK LAMP",1,1,1,1,1,,,,,,,,,,,,,
35,2,,933113-05120,, "BULB 12V 1.7W",1,,1,,,,,,,,,,,,,
35-1,2,,172141-17230,, "BULB 24V- 6W",1,1,1,1,1,,N,,,,M01390,,,,M01020,,,,,
36,1,,172147-17200,, "METER, HOUR",1,1,1,1,1,,,,,,,,,,,,,
37,2,,172147-17210,, "CASE, HOUR METER",1,1,1,1,1,,,,,,,,,,,,,
38,2,,172147-17220,, "CAP, HOUR METER",1,1,1,1,1,,,,,,,,,,,,,
39,2,,172147-17230,, NUT,2,2,2,2,2,,,,,,,,,,,,,
40,2,,172147-17240,, SLEEVE,2,2,2,2,2,,,,,,,,,,,,,
41,2,,172147-17250,, "WIRE,LEAD",1,1,1,1,1,,,,,,,,,,,,,
42,2,,22217-050000,, "SPRING WASHER 5",2,2,2,2,2,,,,,,,,,,,,,
43,1,,121522-77101,, RELAY,1,,1,,,,,,,,,,,,,
43-1,1,,119247-77100,, "RELAY, SAFETY",1,1,1,1,1,,S,,,,*1993.05,,,,*1993.05,,,,,
44,1,,119640-77711,, "LIMITER,CURRENT",1,1,1,1,1,,,,,,,,,,,,,
45,1,,121522-77721,, "INDICATOR, CHARGING",1,1,1,1,1,,,,,,,,,,,,,
46,1,,129155-77810,, RESISTOR,1,1,1,1,1,,,,,,,,,,,,,
47,1,,22217-060000,, "SPRING WASHER 6",7,,7,,,,,,,,,,,,,
47-1,1,,22217-060000,, "SPRING WASHER 6",6,6,6,6,6,,K,,,,M01719,,,,M01208,,,,,
48,1,,22217-100000,, "SPRING WASHER 10",2,2,2,2,2,,,,,,,,,,,,,
49,1,,26022-050162,, "SCREW M 5X 16",2,2,2,2,2,,,,,,,,,,,,,
50,1,,26116-100162,, "BOLT M10X 16 PLATED",2,2,2,2,2,,,,,,,,,,,,,
51,1,,26716-060002,, "NUT M6",7,,7,,,,,,,,,,,,,

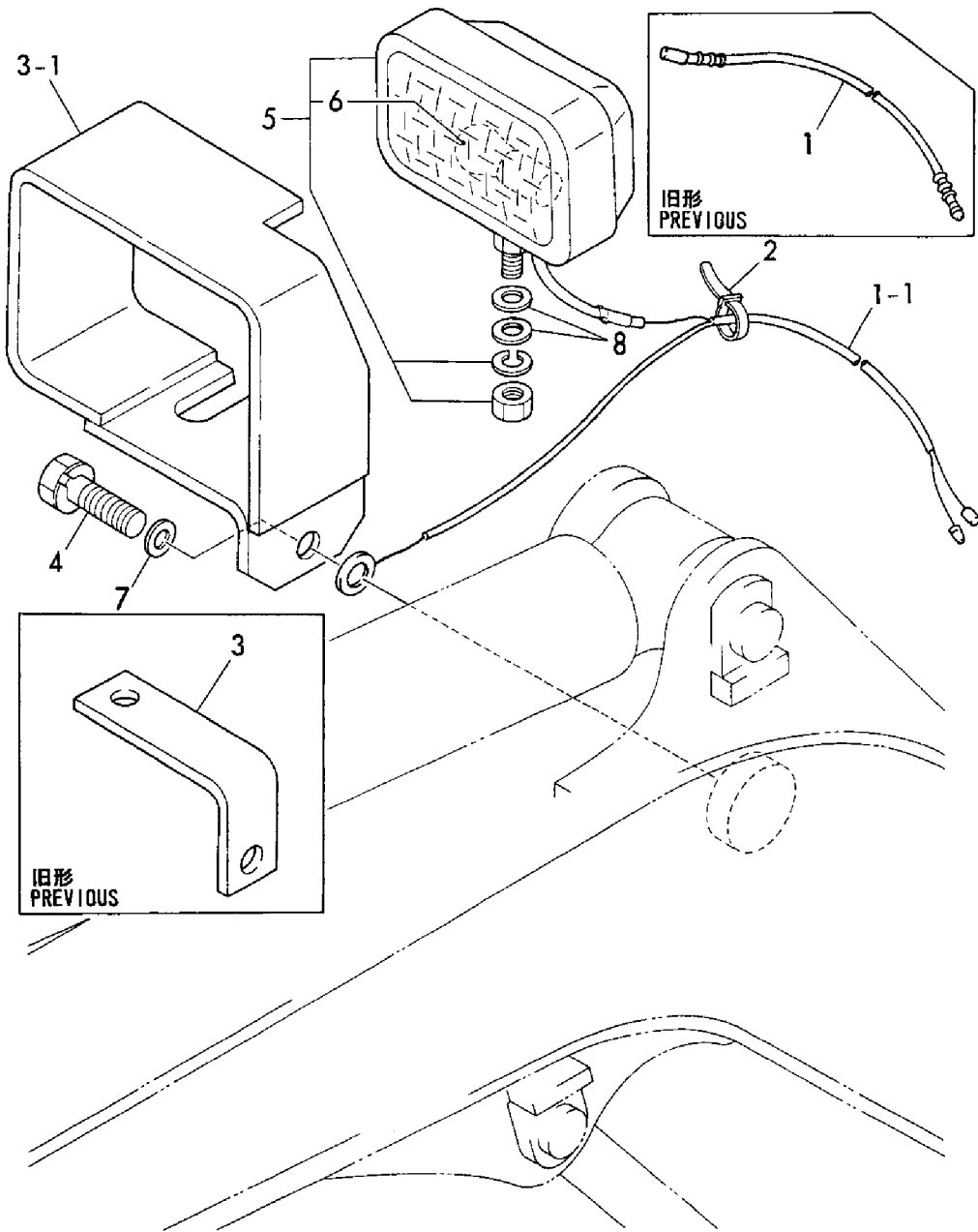
51-1,1,,26716-060002,, "NUT M6",6,6,6,6,6,,K,,,M01719,,,,M01208,,,,
52,1,,933110-00100,, "SWITCH ASSY, STARTER",1,1,1,1,1,,,,,,,,,
54,2,,933110-00301,, "KEY ASSY",1,1,1,1,1,,,,,,,,,
55,1,,933110-05300,, "HORN",1,1,1,1,1,,,,,,,,,
56,1,,933113-05190,, "LAMP, OIL",1,1,1,1,1,,,,,,,,,
57,2,,933113-05180,, "BULB 12V 3W",1,1,1,1,1,,,,,,,,,
58,1,,933113-15900,, "COVER, SWITCH TERMI.",1,1,1,1,1,,,,,,,,,
59,1,,172149-63100,, "PANEL ASSY",1,1,1,1,1,,,,,,,,,
60,1,,172141-65970,, "RUBBER, PLATE",1,1,1,1,1,,,,,,,,,
61,1,,26013-100202,, "BOLT W/WASHER M10X20",2,2,2,2,2,,,,,,,,,
62,1,,26117-100162,, "BOLT M10X 16 PLATED",1,1,1,1,1,,,,,,,,,
63,1,,22137-100000,, "WASHER 10,POLISHED",1,1,1,1,1,,,,,,,,,
64,1,,26022-060122,, "SCREW M 6X 12",1,1,1,1,1,,,,,,,,,
65,1,,26116-060122,, "BOLT M 6X 12",2,2,2,2,2,,,,,,,,,
66,1,,22217-060000,, "SPRING WASHER 6",2,2,2,2,2,,,,,,,,,
67,1,,26022-060122,, "SCREW M 6X 12",1,1,1,1,1,W,,,M01719,,,,M01208,,,,

Fig. 10 電装品 ELECTRIC PART



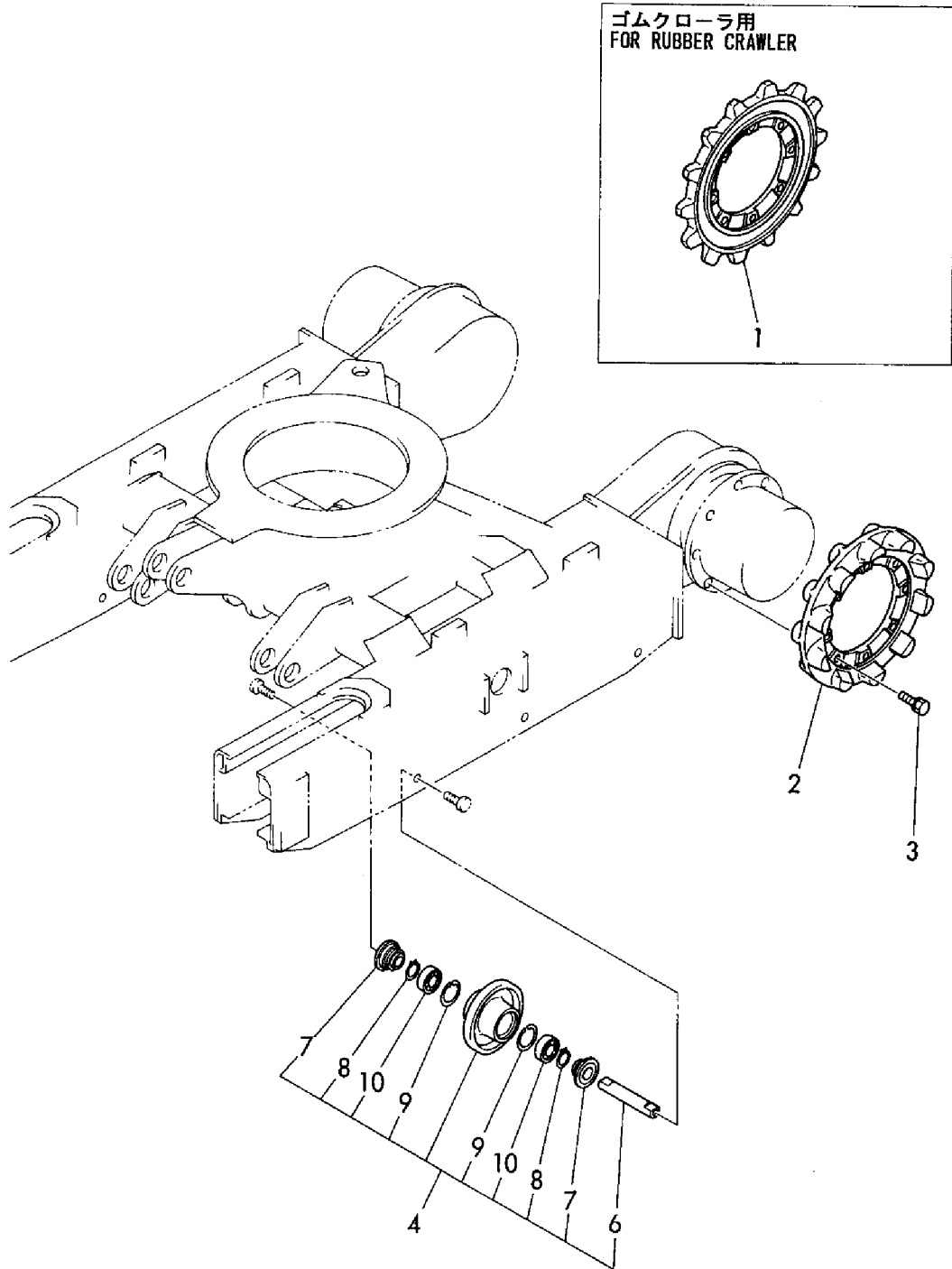
1,1,,172137-16530,, "LEAD WIRE",1,1,1,1,1,,,,,,,,,,,,,
1-1,1,,172137-16531,, "WIRE, LEAD",,1,,1,1,,S,,,,,M20768,,,,M20530,,M20530
2,1,,172137-16560,,BAND,4,4,4,4,4,,,,,,,,,,,,,
3,1,,172137-17400,, "STAY, BOOM LIGHT",1,,1,,,,,,,,,,,,,
3-1,1,,172137-17401,,COVER,1,,1,,,,,N,,,M10501,,,,M10501,,,,,
3A,1,,172137-17401-1,, "COVER, LAMP (GREEN)",,1,,1,1,,,,,,,,,,,,,
4,1,,26013-120252,, "BOLT M12X 25",1,,1,,,,,,,,,,,,,
4-1,1,,26013-120302,, "BOLT W/WASHER M12X30",1,1,1,1,1,,S,,,M10501,,,,M10501,,,,,
4-2,1,,26013-120252,, "BOLT M12X
25",,1,,1,1,,S,,,,,*1995.10,,,,*1995.10,,*1995.10
5,1,,933113-05200,, "LAMP, WORK",1,1,1,1,1,,,,,,,,,,,,,
6,2,,933113-05210,, "BULB 12V 27W",1,1,1,1,1,,,,,,,,,,,,,
7,1,,933152-03700,, "WASHER, SIDE CLUTCH",1,1,1,1,1,,W,,,M10501,,,,M10501,,,,,
8,1,,22137-130000,, "WASHER 13",2,2,2,2,2,,W,,,M00501,,,,M00501,,,,,

Fig. 11 ワークランプ
WORK LAMP



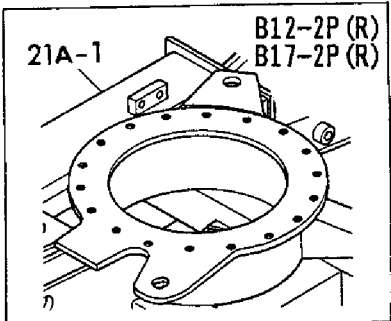
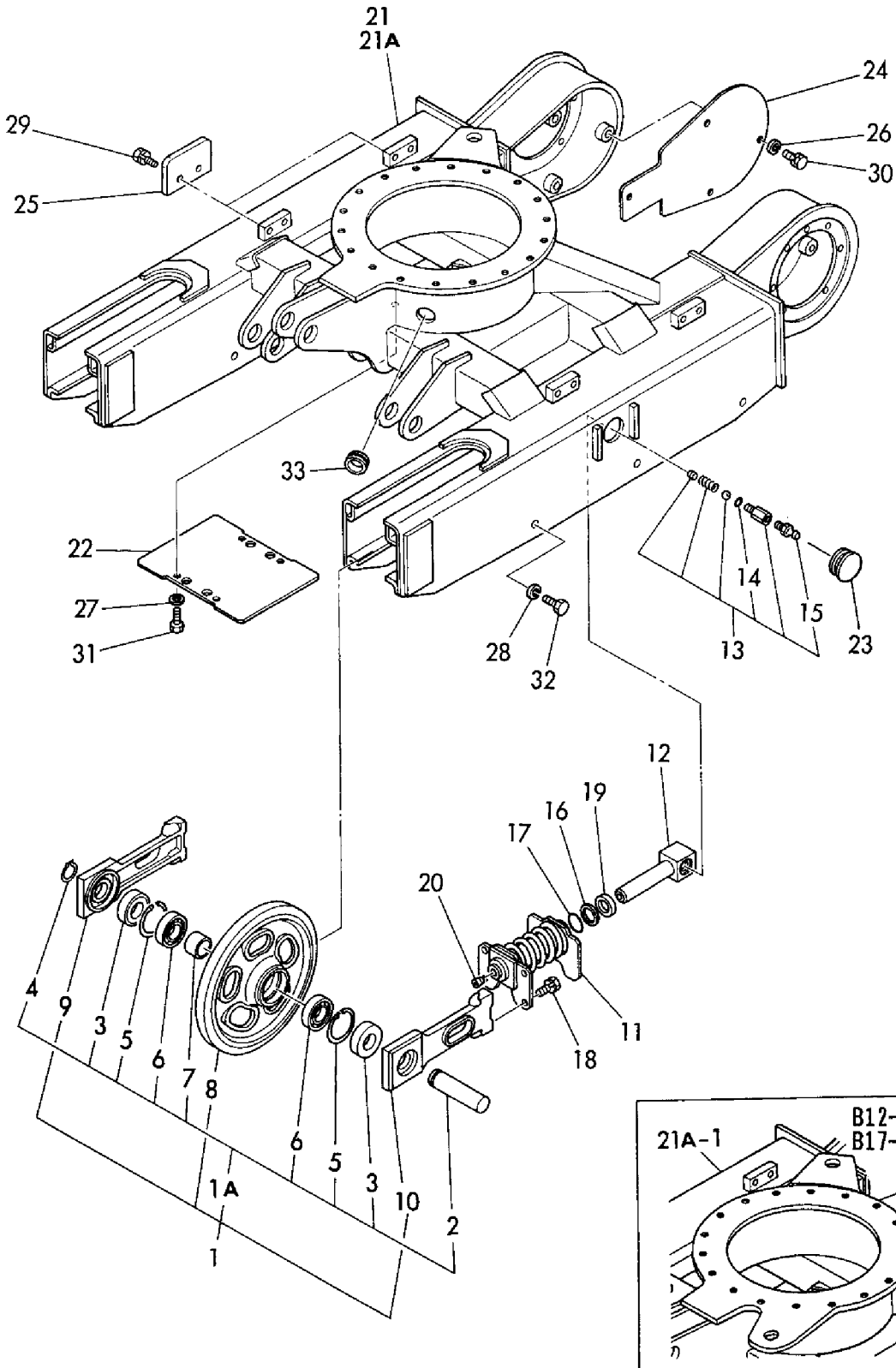
1,1,,172137-29110,, "SPROCKET,RUBBER CRAW",2,2,2,2,2,,,1,,,,,,,,,
2,1,,172137-29120,, SPROCKET,2,2,2,2,2,,,,,,,,,,,,,
3,1,,26013-100252,, "BOLT W/WASHER M10X25",18,18,18,18,18,,,,,,,,,,,,,
4,1,,772137-37300,, "ROLLER ASSY, TRUCK",6,6,6,6,6,,,,,,,,,,,,,
6,2,,172137-37330,, "SHAFT, TRACK ROLLER",6,6,6,6,6,,,,,,,,,,,,,
7,2,,172137-37360,, SEAL,12,12,12,12,12,,,,,,,,,,,,,
8,2,,22242-000250,, "CIRCLIP 25S",12,12,12,12,12,,,,,,,,,,,,,
9,2,,22252-000470,, "CIRCLIP 47",12,12,12,12,12,,,,,,,,,,,,,
10,2,,24101-060054,, "BALL BEARING",12,12,12,12,12,,,,,,,,,,,,,

Fig. 12 **トラックローラ**
TRACK ROLLER



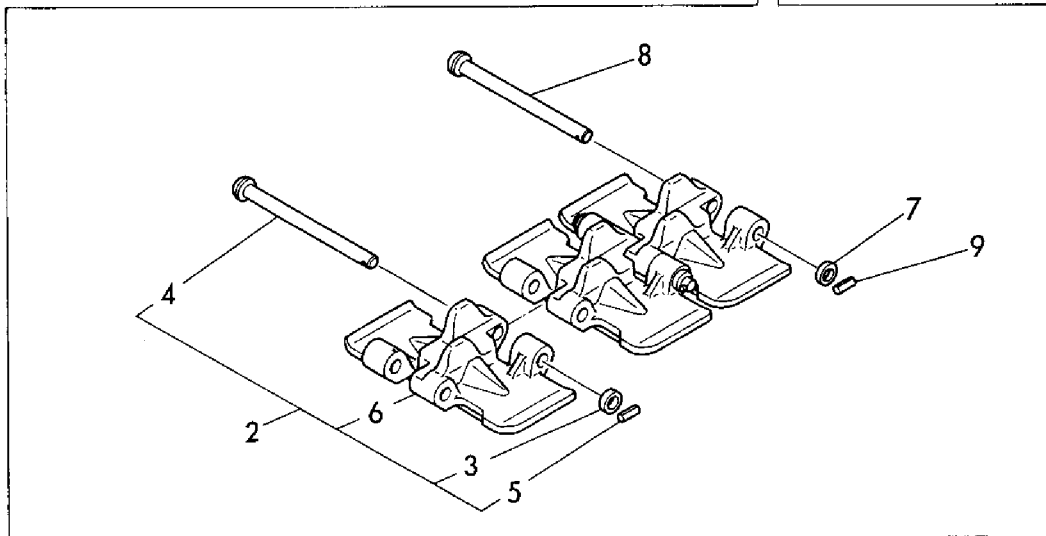
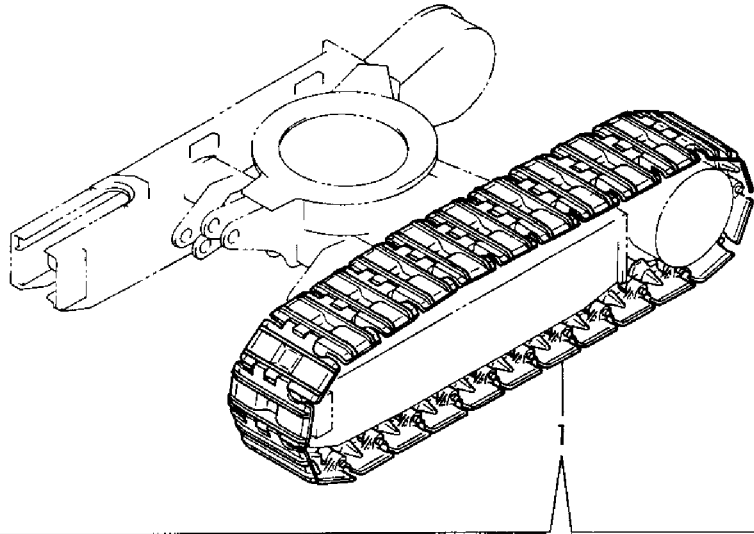
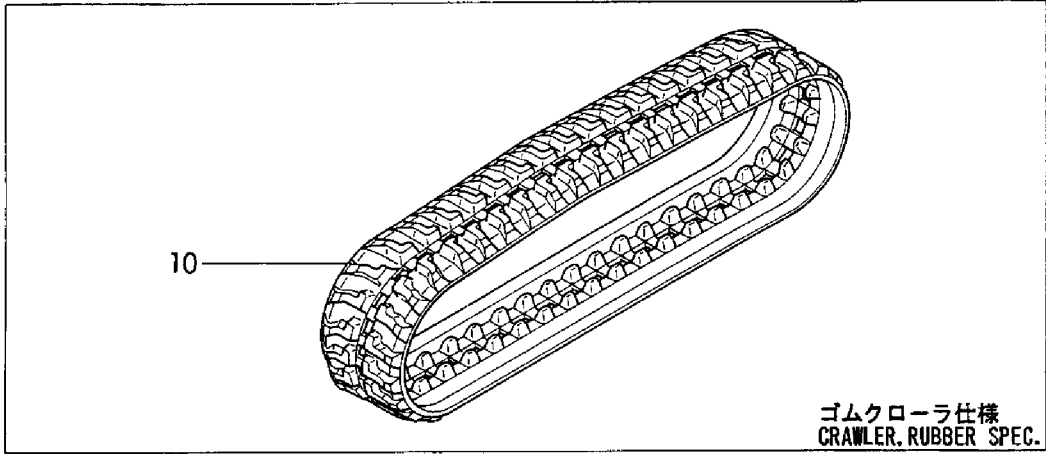
1,1,,772137-37100,, "IDLER ASSY",2,2,2,2,2,,,,,,,,,,,,,
1A,2,,172137-99490,, "IDLER KIT, FRONT",2,2,2,2,2,,,,,,,,,,,,,
2,3,,172137-37110,, "SHAFT, IDLER",2,2,2,2,2,,,,,,,,,,,,,
3,3,,1A1030-48250,, "SEAL QLF30621218,OIL",4,4,4,4,4,,,,,,,,,,,,,
4,3,,22242-000300,, "CIRCLIP 30",2,2,2,2,2,,,,,,,,,,,,,
5,3,,22252-000620,, "CIRCLIP 62(H)",4,4,4,4,4,,,,,,,,,,,,,
6,3,,24101-062064,, "BALL BEARING",4,4,4,4,4,,,,,,,,,,,,,
7,3,,933168-13990,, "COLLAR(B), IDLE.SHAFT",2,2,2,2,2,,,,,,,,,,,,,
8,2,,172137-37100,, "IDLER ASSY",2,2,2,2,2,,,,,,,,,,,,,
9,2,,172137-37130,, "COVER (L), SEAL",2,2,2,2,2,,,,,,,,,,,,,
10,2,,172137-37140,, "COVER (R), SEAL",2,2,2,2,2,,,,,,,,,,,,,
11,1,,172137-37710,, "SPRING, ADJUSTING",2,2,2,2,2,,,,,,,,,,,,,
12,1,,172137-37800,, "TUBE, ADJUSTER",2,,2,,,,,,,,,,,,,
12-1,1,,172137-37801,, "TUBE, ADJUSTER",2,2,2,2,2,,S,,M00974,,,,,M00784,,,,,
13,1,,172122-37842,, "VALVE ASSY, NIPPLE",2,,2,,,,,,,,,,,,,
13-1,1,,172122-37843,, "VALVE ASSY, NIPPLE",2,2,2,2,2,,S,,M00974,,,,,M00784,,,,,
14,2,,24315-000140,, "O-RING 1B P-14.0",2,2,2,2,2,,,,,,,,,,,,,
15,2,,24761-020000,, "NIPPLE PT1/8,GREASE",2,2,2,2,2,,,,,,,,,,,,,
16,1,,172137-37850,, "RING, BACK UP",2,2,2,2,2,,,,,,,,,,,,,
17,1,,24315-000300,, "O-RING 1B P-30.0",2,2,2,2,2,,,,,,,,,,,,,
18,1,,26013-100302,, "BOLT M10X 30",8,8,8,8,8,,,,,,,,,,,,,
19,1,,933126-38600,, "SEAL, DUST",2,2,2,2,2,,,,,,,,,,,,,
20,1,,933171-13691,, "PLUG PT1/8",2,2,2,2,2,,,,,,,,,,,,,
21,1,,172149-50100,, "FRAME, LOWER",1,,1,,,,,,,,,,,,,
21A,1,,172149-50101,, "FRAME, LOWER",1,,1,1,,,,,,,,,,,,,
21A-1,1,,172149-50102,, "FRAME",1,,1,1,N,,,,,M21238,,,,,M20671,,M20671
22,1,,172131-50360,, "COVER, UNDER",1,1,1,1,1,,,,,,,,,,,,,
23,1,,172141-50890,, "GROMMET",2,2,2,2,2,,,,,,,,,,,,,
24,1,,172137-51700,, "COVER, MOTOR",2,2,2,2,2,,,,,,,,,,,,,
25,1,,172137-51900,, "PLATE",4,4,4,4,4,,,,,,,,,,,,,
26,1,,22217-100000,, "SPRING WASHER 10",8,8,8,8,8,,,,,,,,,,,,,
27,1,,22217-100000,, "SPRING WASHER 10",4,4,4,4,4,,,,,,,,,,,,,
28,1,,22217-120000,, "WASHER 12,SPRING",12,12,12,12,12,,,,,,,,,,,,,
29,1,,26013-100302,, "BOLT M10X 30",8,8,8,8,8,,,,,,,,,,,,,
30,1,,26116-100202,, "BOLT M10X 20 PLATED",8,8,8,8,8,,,,,,,,,,,,,
31,1,,26116-100202,, "BOLT M10X 20 PLATED",4,4,4,4,4,,,,,,,,,,,,,
32,1,,26116-120252,, "BOLT M12X 25 PLATED",12,12,12,12,12,,,,,,,,,,,,,
33,1,,172131-78350,, "GROMMET 13.5",2,2,2,2,2,,,,,,,,,,,,,

Fig. 13 トラックフレーム&アイドラ
TRACK FRAME & IDLER



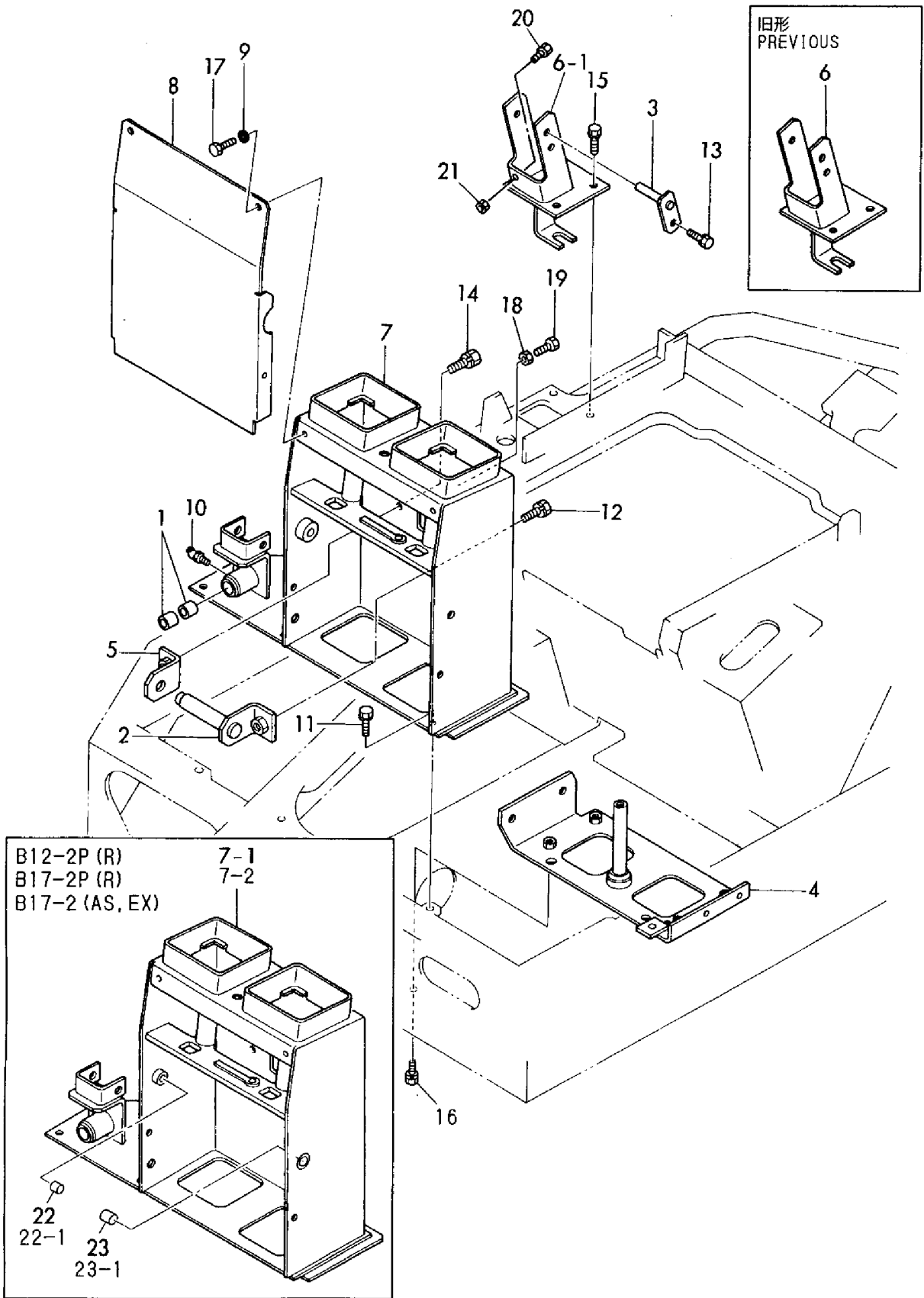
1,1,,772137-38101,, "CRAWLER ASSY",2,2,2,2,2,,,,,,,,,,,,,
2,2,,172137-38101,, "LINK ASSY, TRACK",2,2,2,2,2,,,,,,,,,,,,,
3,3,,172137-38131,, "COLLAR, LINK",58,58,58,58,58,,,,,,,,,,,,,
4,3,,172137-38161,, "PIN, TRACK",58,58,58,58,58,,,,,,,,,,,,,
5,3,,22351-060020,, "SPRING PIN 6X20",58,58,58,58,58,,,,,,,,,,,,,
6,3,,172137-38111,, "SHOW PLATE",60,60,60,60,60,,,,,,,,,,,,,
7,2,,172137-38131,, "COLLAR, LINK",2,2,2,2,2,,,,,,,,,,,,,
8,2,,172137-38161,, "PIN, TRACK",2,2,2,2,2,,,,,,,,,,,,,
9,2,,22351-060020,, "SPRING PIN 6X20",2,2,2,2,2,,,,,,,,,,,,,
10,1,,172137-38600,, "CRAWLER ASSY, RUBBER",2,2,2,2,2,,,,,,,,,,,,,

Fig. 14 リタイ
CRAWLER



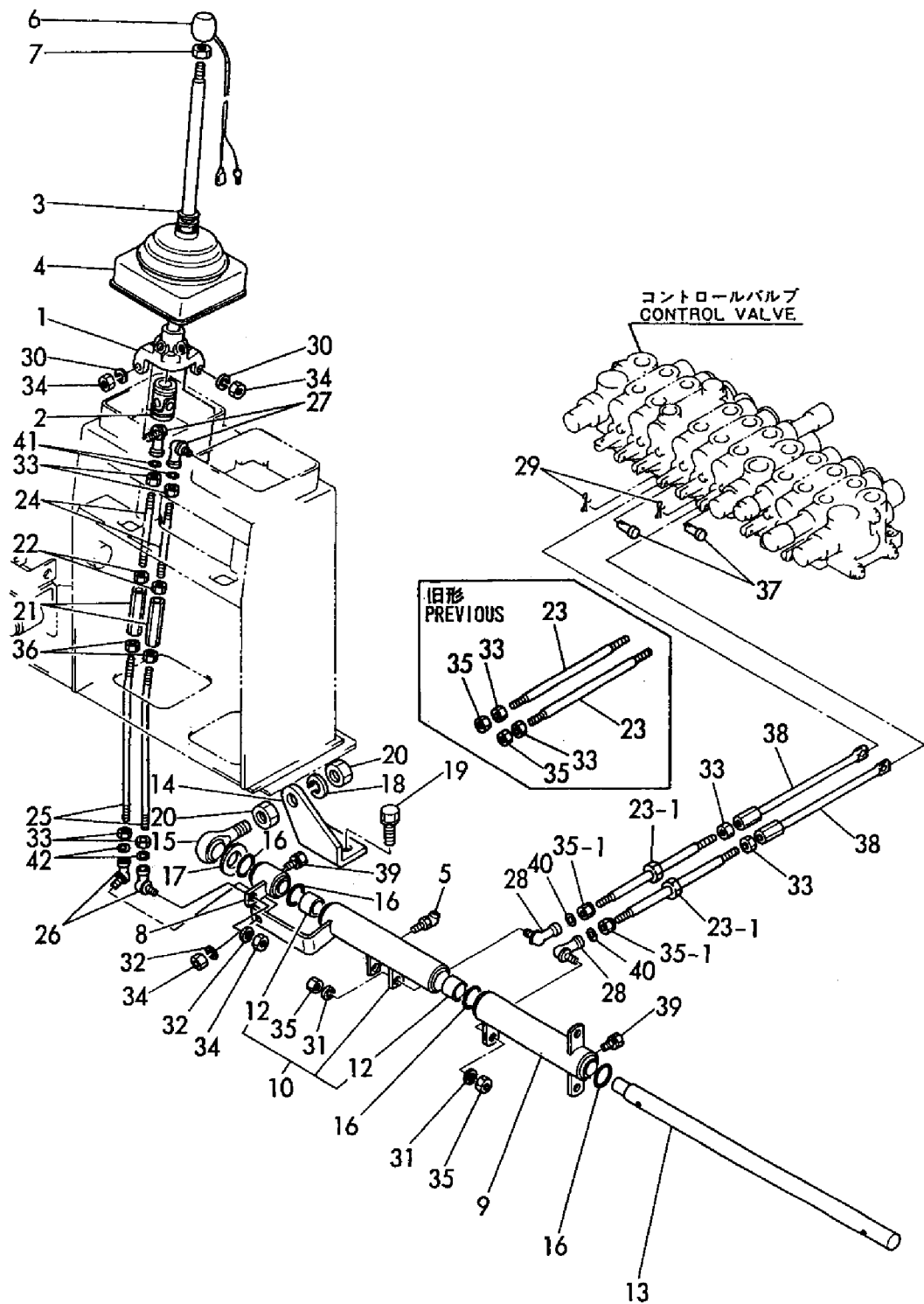
1,1,,172141-41370,, "BUSH 2015",2,2,2,2,2,,,,,,,,,,,,,
2,1,,172149-41830,, "SHAFT(A), TRACK",1,1,1,1,1,,,,,,,,,,,,,
3,1,,172149-41860,, "PIN, BLADE",1,1,1,1,1,,,,,,,,,,,,,
4,1,,172149-41900,, "PLATE, LINK",1,1,1,1,1,,,,,,,,,,,,,
5,1,,172149-41950,, "PLATE, TRACK",1,1,1,1,1,,,,,,,,,,,,,
6,1,,172149-42010,, "BRACKET SET",1,,1,,,,,,,,,,,,,
6-1,1,,172149-42011,, "BRACKET",1,1,1,1,1,,S,,MX,,MX,,
7,1,,172149-42100,, "SUPPORT, LINK",1,1,1,1,1,,,,,,,,,,,,,
7-1,1,,172149-42101,, "SUPPORT, LINK",,1,,1,,S,,,,M21277,,,,M20679,,
7-2,1,,172149-42101,, "SUPPORT, LINK",,,,,,1,,S,,,,M20681
8,1,,172149-42250,, "COVER, SUPPORT",1,1,1,1,1,,,,,,,,,,,,,
9,1,,22217-080000,, "SPRING WASHER 8",4,4,4,4,4,,,,,,,,,,,,,
10,1,,24761-020000,, "NIPPLE PT1/8,GREASE",1,1,1,1,1,,,,,,,,,,,,,
11,1,,26013-100202,, "BOLT W/WASHER M10X20",5,5,5,5,5,,,,,,,,,,,,,
12,1,,26013-100202,, "BOLT W/WASHER M10X20",1,1,1,1,1,,,,,,,,,,,,,
13,1,,26013-100202,, "BOLT W/WASHER M10X20",1,1,1,1,1,,,,,,,,,,,,,
14,1,,26013-100202,, "BOLT W/WASHER M10X20",1,1,1,1,1,,,,,,,,,,,,,
15,1,,26013-100202,, "BOLT W/WASHER M10X20",3,3,3,3,3,,,,,,,,,,,,,
16,1,,26013-100252,, "BOLT W/WASHER M10X25",4,4,4,4,4,,,,,,,,,,,,,
17,1,,26116-080162,, "BOLT M 8X 16 PLATED",4,4,4,4,4,,,,,,,,,,,,,
18,1,,26756-100002,, "LOCK NUT M10 PLATED",2,2,2,2,2,,,,,,,,,,,,,
19,1,,26116-100252,, "BOLT M10X 25 PLATED",2,2,2,2,2,,,,,,,,,,,,,
20,1,,26116-080304,, "BOLT M 8X 30",1,1,1,1,1,,W,,MX,,MX,,
21,1,,26716-080002,, "NUT M 8",1,1,1,1,1,,W,,MX,,MX,,
22,1,,172312-12150,, "BUSH 10X10",,1,,1,,W,,,,M21277,,,,M20679,,
22-1,1,,172312-12150,, "BUSH 10X10",,,,,,1,,W,,,,M20681
23,1,,933171-23670,, "BUSH",,1,,1,,W,,,,M21277,,,,M20679,,
23-1,1,,933171-23670,, "BUSH",,,,,,1,,W,,,,M20681

Fig. 15 リンク台
LINK STAND



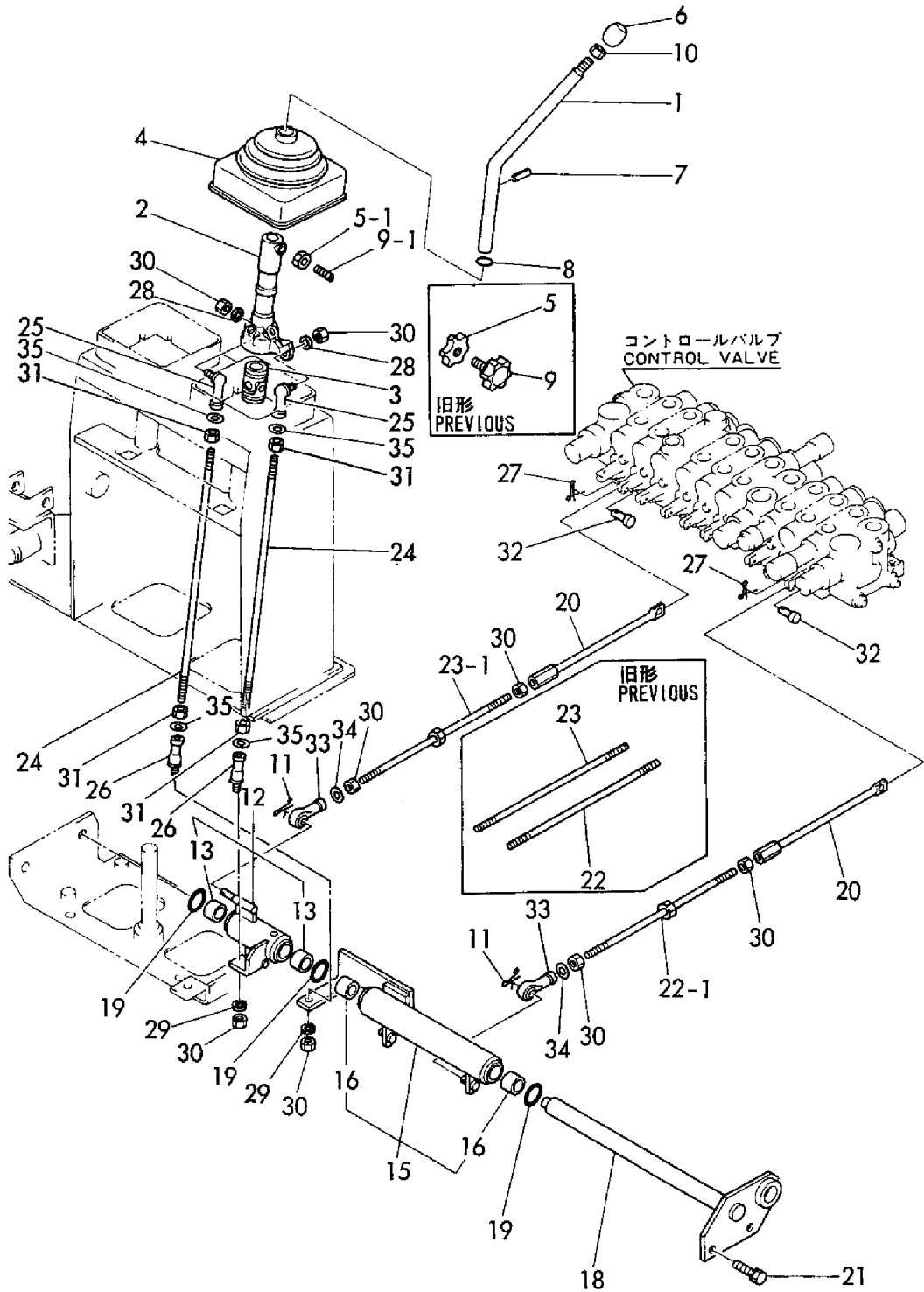
1,1,,172149-41050,, "LEVER (R)",1,,1,,,,,,,,,,,,,
1-1,1,,172149-41051,, LEVER(R),1,1,1,1,1,1,,S,,M00614,,,,M00611,,,,,
2,1,,172141-41160,, JOINT,1,1,1,1,1,1,,,,,,,,,,,,,
3,1,,172141-41310,, GROMMET,1,,1,,,,,,,,,,,,,
3-1,1,,172141-41311,, GROMMET,1,1,1,1,1,1,,S,,M10501,,,,M10501,,,,,
4,1,,172141-41330,, "BOOTS, LEVER (BLACK)",1,1,,,,,,,,,,,,,
4-1,1,,172141-41331,, "BOOTS, LEVER (GRAY)",1,1,1,1,1,1,,S,,M10501,,,,M10501,,,,,
5,1,,24761-040000,, "NIPPLE B,GREASE",1,1,1,1,1,1,,,,,,,,,,,,,
6,1,,172312-46301,, KNOB(A),1,1,1,1,1,1,,,,,,,,,,,,,
7,1,,26757-100002,, "LOCK NUT M10",1,1,1,1,1,1,,,,,,,,,,,,,
8,1,,172149-41250,, "LINK(A), BOOM",1,1,1,1,1,1,,,,,,,,,,,,,
9,1,,172149-41300,, "LINK(B), BOOM",1,1,1,1,1,1,,,,,,,,,,,,,
10,1,,172149-41320,, "LINK, BUCKET",1,1,1,1,1,1,,,,,,,,,,,,,
12,2,,172141-41370,, "BUSH 2015",2,2,2,2,2,2,,,,,,,,,,,,,
13,1,,172149-41650,, "SHAFT, LINK",1,1,1,1,1,1,,,,,,,,,,,,,
14,1,,172149-41790,, "STAY, LINK",1,1,1,1,1,1,,,,,,,,,,,,,
15,1,,172122-45720,, "ROD-END 14",1,1,1,1,1,1,,,,,,,,,,,,,
16,1,,172124-46200,, "O-RING 27X5.7",4,4,4,4,4,4,,,,,,,,,,,,,
17,1,,22157-120000,, "WASHER 12",2,2,2,2,2,2,,,,,,,,,,,,,
18,1,,22217-140000,, "SPRING WASHER 14",1,1,1,1,1,1,,,,,,,,,,,,,
19,1,,26013-100202,, "BOLT W/WASHER M10X20",2,2,2,2,2,2,,,,,,,,,,,,,
20,1,,26716-140002,, "NUT M14",1,1,1,1,1,1,,,,,,,,,,,,,
21,1,,172730-11440,, "TURNBUCKLE 10",2,,2,,,,,,,,,,,,,
21-1,1,,172137-46400,, "TURNBUCKLE M10X40",2,2,2,2,2,2,,S,,M00614,,,,M00611,,,,,
22,1,,194150-22480,, "NUT M10",2,2,2,2,2,2,,,,,,,,,,,,,
23,1,,172149-42540,, ROD(C),2,,2,,,,,,,,,,,,,
23-1,1,,172149-42710,, "ROD C COMP",2,2,2,2,2,2,,N,,M10949,,,,M10719,,,,,
24,1,,172149-42640,, ROD(RA),2,,2,,,,,,,,,,,,,
24-1,1,,172149-42641,, ROD(RA),2,2,2,2,2,2,,S,,M00614,,,,M00611,,,,,
25,1,,172149-42650,, ROD(RB),2,,2,,,,,,,,,,,,,
25-1,1,,172149-42651,, ROD(RB),2,2,2,2,2,2,,S,,M00614,,,,M00611,,,,,
26,1,,172122-46590,, "ELBALL 8",2,2,2,2,2,2,,,,,,,,,,,,,
27,1,,172122-46590,, "ELBALL 8",2,2,2,2,2,2,,,,,,,,,,,,,
28,1,,172122-46590,, "ELBALL 8",2,2,2,2,2,2,,,,,,,,,,,,,
29,1,,1C6281-52810,, "PIN,SNAP 10",2,,2,,,,,,,,,,,,,
29-1,1,,1C6281-52310,, "PIN 6,COME-OFF SNAP",2,2,2,2,2,2,,N,,M00582,,,,M00581,,,,,
30,1,,22217-080000,, "SPRING WASHER 8",2,,2,,,,,Z,,M10949,,,,M10719,,,,,
31,1,,22217-080000,, "SPRING WASHER 8",2,,2,,,,,Z,,M10949,,,,M10719,,,,,
32,1,,22217-080000,, "SPRING WASHER 8",4,,4,,,,,Z,,M10949,,,,M10719,,,,,
33,1,,26716-080002,, "NUT M 8",8,,8,,,,,,,,,,,,,
33-1,1,,26051-080002,, "NUT M 8",6,6,6,6,6,6,,N,,M10949,,,,M10719,,,,,
34,1,,26716-080002,, "NUT M 8",4,,4,,,,,,,,,,,,,
34-1,1,,26051-080002,, "NUT M 8",4,4,4,4,4,4,,N,,M10949,,,,M10719,,,,,
35,1,,26716-080002,, "NUT M 8",4,,4,,,,,,,,,,,,,
35-1,1,,26051-080002,, "NUT M 8",4,4,4,4,4,4,,N,,M10949,,,,M10719,,,,,
36,1,,26716-100002,, "NUT M10",2,2,2,2,2,2,,,,,,,,,,,,,
37,1,,933110-54100,, "PIN 4.75X14",2,2,2,2,2,2,,,,,,,,,,,,,
38,1,,172149-42450,, "ROD(G), SPOOL",2,2,2,2,2,2,,,,,,,,,,,,,
39,1,,26013-100202,, "BOLT W/WASHER M10X20",2,2,2,2,2,2,,,,,,,,,,,,,
40,1,,22137-080000,, "WASHER 8, POLISHED",2,2,2,2,2,2,,W,,M10949,,,,M10719,,,,,
41,1,,22137-080000,, "WASHER 8, POLISHED",2,2,2,2,2,2,,W,,M10949,,,,M10719,,,,,
42,1,,22137-080000,, "WASHER 8, POLISHED",2,2,2,2,2,2,,W,,M10949,,,,M10719,,,,,

Fig. 16 操縦装置 (ブーム & バケット) CONTROL EQUIPMENT (BOOM & BUCKET)



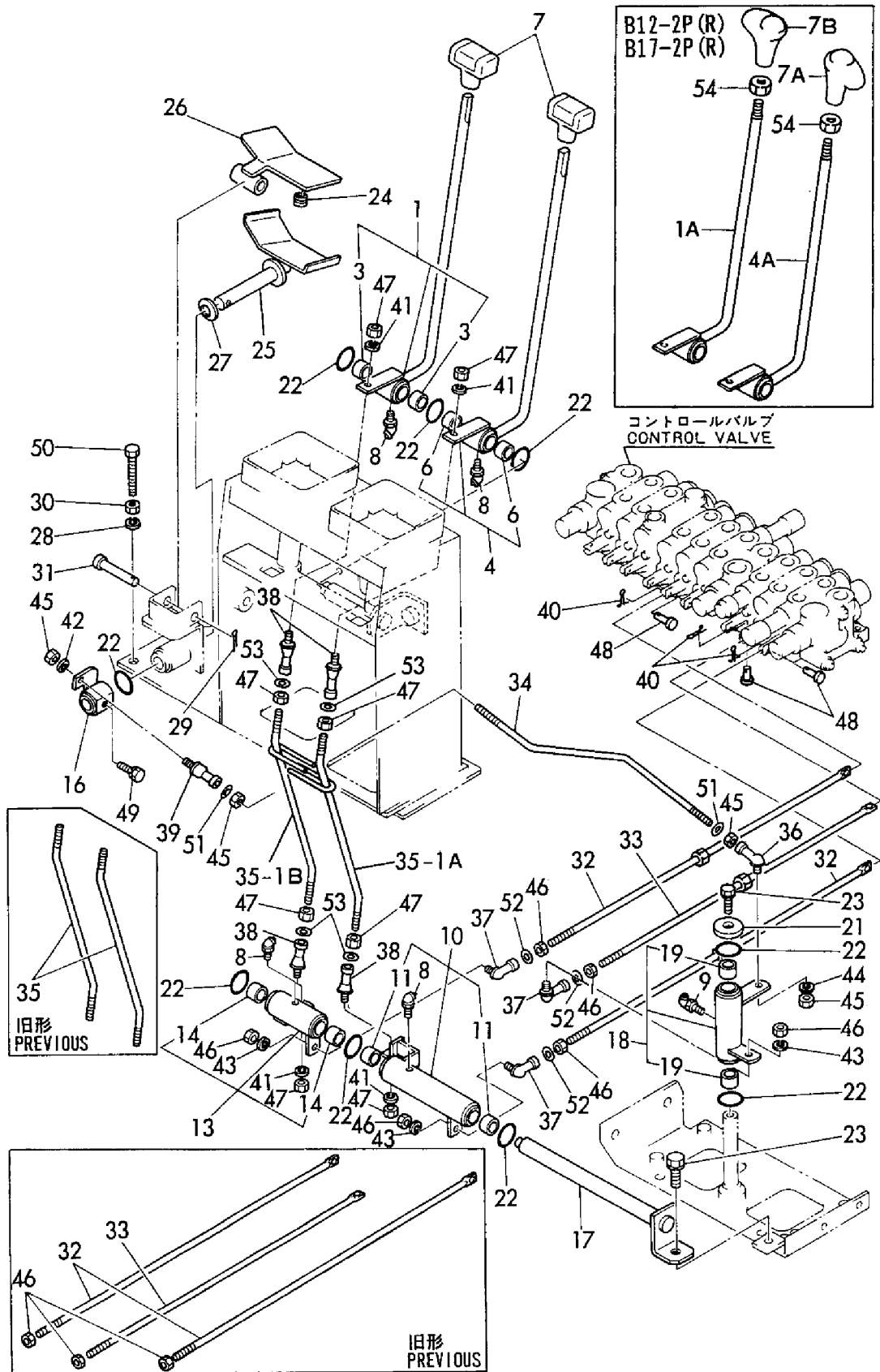
1,1,,172149-41100,, "LEVER L",1,,1,,,,,,,,,,,,,
1-1,1,,172149-41101,, "LEVER L",1,1,1,1,1,1,,S,,M00614,,,,M00611,,,,,
2,1,,172141-41150,, "LINK(L), LEVER",1,1,1,1,1,1,,,,,,,,,,,,,
3,1,,172141-41160,, JOINT,1,1,1,1,1,1,,,,,,,,,,,,,
4,1,,172141-41330,, "BOOTS, LEVER (BLACK)",1,1,,,,,,,,,,,,,
4-1,1,,172141-41331,, "BOOTS, LEVER (GRAY)",1,1,1,1,1,1,,S,,M10501,,,,M10501,,,,,
5,1,,172141-41380,, NUT,1,,1,,,,,,,,,,,,,
5-1,1,,26756-080002,, "LOCK NUT M 8 PLATED",1,1,1,1,1,1,,S,,M11861,,,,M11238,,,,,
6,1,,172312-46321,, KNOB(B),1,1,1,1,1,1,,,,,,,,,,,,,
7,1,,22351-030010,, "SPRING PIN 3X10",1,1,1,1,1,1,,,,,,,,,,,,,
8,1,,24311-000140,, "O-RING 1A P-14.0",1,1,1,1,1,1,,,,,,,,,,,,,
9,1,,26063-080201,, "BOLT M 8X 20",1,,1,,,,,,,,,,,,,
9-1,1,,26979-080162,, "SCREW M 8X16",1,1,1,1,1,1,,S,,M11861,,,,M11238,,,,,
10,1,,26757-100002,, "LOCK NUT M10",1,1,1,1,1,1,,,,,,,,,,,,,
11,1,,1C6281-52320,, "PIN 8,COME-OFF SNAP",2,2,2,2,2,2,,,,,,,,,,,,,
12,1,,172149-41370,, "LINK, TURNING",1,1,1,1,1,1,,,,,,,,,,,,,
13,2,,172141-41370,, "BUSH 2015",2,2,2,2,2,2,,,,,,,,,,,,,
15,1,,172149-41420,, "LINK, ARM",1,1,1,1,1,1,,,,,,,,,,,,,
16,2,,172141-41370,, "BUSH 2015",2,2,2,2,2,2,,,,,,,,,,,,,
18,1,,172149-41660,, SHAFT(A),1,1,1,1,1,1,,,,,,,,,,,,,
19,1,,172124-46200,, "O-RING 27X5.7",3,3,3,3,3,3,,,,,,,,,,,,,
20,1,,172149-42450,, "ROD(G), SPOOL",2,2,2,2,2,2,,,,,,,,,,,,,
21,1,,26013-100202,, "BOLT W/WASHER M10X20",2,2,2,2,2,2,,,,,,,,,,,,,
22,1,,172149-42560,, "ROD (D)",1,,1,,,,,,,,,,,,,
22-1,1,,172149-42690,, "ROD D COMPL.",1,1,1,1,1,1,,N,,M10949,,,,M10719,,,,,
23,1,,172149-42580,, ROD(Z),1,,1,,,,,,,,,,,,,
23-1,1,,172149-42700,, "ROD E COMPL.",1,1,1,1,1,1,,N,,M10949,,,,M10719,,,,,
24,1,,172149-42620,, "ROD (L)",2,2,2,2,2,2,,,,,,,,,,,,,
25,1,,172122-46590,, "ELBALL 8",2,2,2,2,2,2,,,,,,,,,,,,,
26,1,,172122-47250,, "BALL 8, LINK",2,2,2,2,2,2,,,,,,,,,,,,,
27,1,,1C6281-52810,, "PIN,SNAP 10",2,,2,,,,,,,,,,,,,
27-1,1,,1C6281-52310,, "PIN 6,COME-OFF SNAP",2,2,2,2,2,2,,N,,MX,,,,MX,,,,,
28,1,,22217-080000,, "SPRING WASHER 8",2,2,2,2,2,2,,Z,,M10949,,,,M10719,,,,,
29,1,,22217-080000,, "SPRING WASHER 8",2,2,2,2,2,2,,Z,,M10949,,,,M10719,,,,,
30,1,,26716-080002,, "NUT M 8",8,,8,,,,,,,,,,,,,
30-1,1,,26051-080002,, "NUT M 8",8,8,8,8,8,8,,N,,M10949,,,,M10719,,,,,
31,1,,26716-080002,, "NUT M 8",4,,4,,,,,,,,,,,,,
31-1,1,,26051-080002,, "NUT M 8",4,4,4,4,4,4,,N,,M10949,,,,M10719,,,,,
32,1,,933110-54100,, "PIN 4.75X14",2,2,2,2,2,2,,,,,,,,,,,,,
33,1,,172122-46570,, "ROD-END 8",2,,2,,,,,,,,,,,,,
33-1,1,,172122-46571,, "ROD-END 8",2,2,2,2,2,2,,N,,M02063,,,,M01366,,,,,
34,1,,22137-080000,, "WASHER 8, POLISHED",2,2,2,2,2,2,,W,,M10949,,,,M10719,,,,,
35,1,,22137-080000,, "WASHER 8, POLISHED",4,4,4,4,4,4,,W,,M10949,,,,M10719,,,,,

Fig. 17 操縦装置 (アーム&旋回)
CONTROL EQUIPMENT (ARM & TURNING)



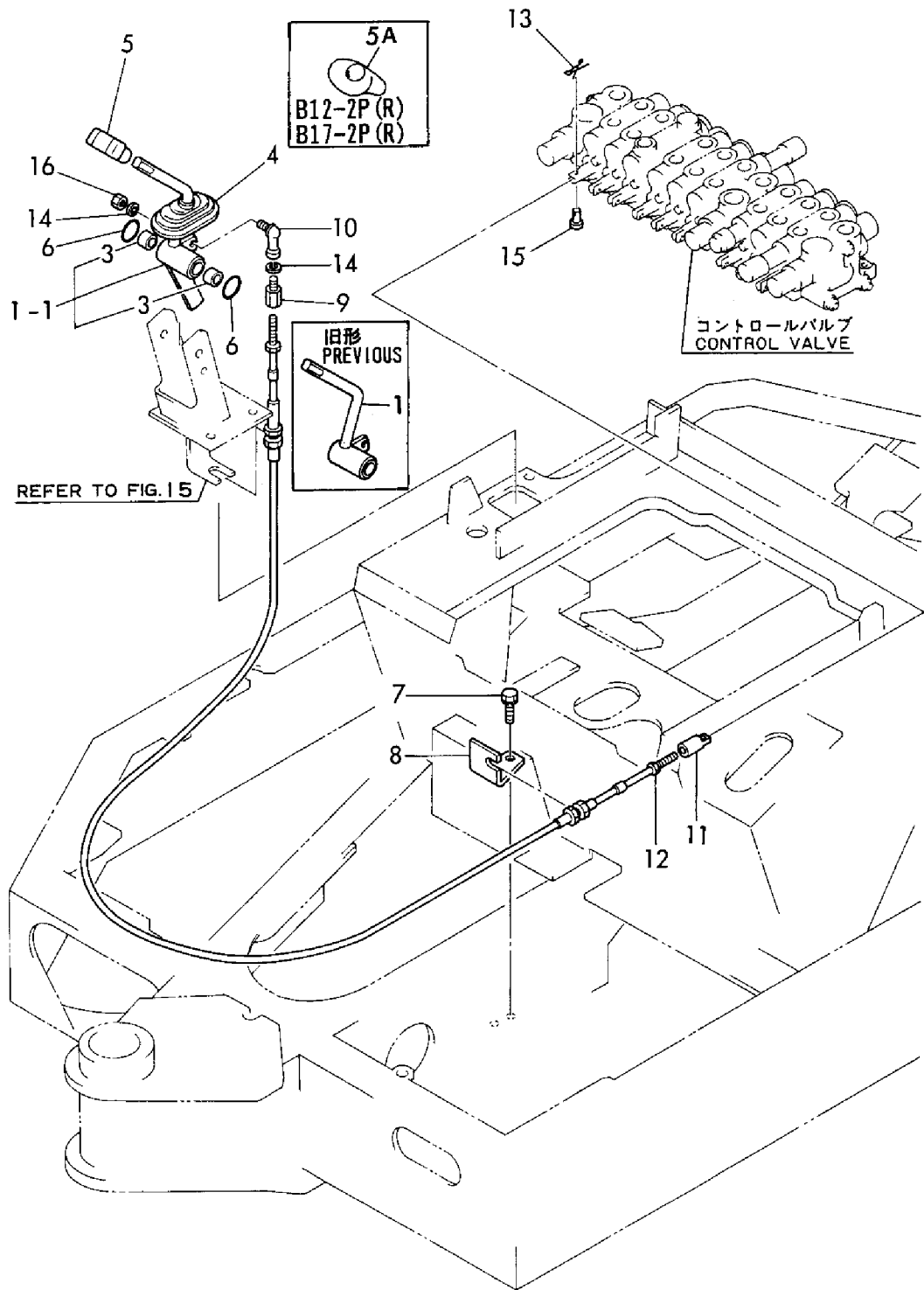
1,1,,172149-41120,, "LEVER(R), TRACK",1,,1,,,,,,,,,,,,,
1A,1,,172149-41121,, "LEVER(R), TRACK",,1,,1,1,,,,,,,,,,,,,
3,2,,172141-41370,, "BUSH 2015",2,2,2,2,2,,,,,,,,,,,,,
4,1,,172149-41160,, "LEVER(L), TRACK",1,,1,,,,,,,,,,,,,
4A,1,,172149-41161,, "LEVER(R), TRACK",,1,,1,1,,,,,,,,,,,,,
6,2,,172141-41370,, "BUSH 2015",2,2,2,2,2,,,,,,,,,,,,,
7,1,,172137-45080,, "KNOB, LEVER",2,,2,,,,,,,,,,,,,
7A,1,,172164-45950,, "GRIP L, DRIV.",,1,,1,1,,,,,,,,,,,,,
7B,1,,172164-45960,, "GRIP R, DRIV.",,1,,1,1,,,,,,,,,,,,,
8,1,,24761-040000,, "NIPPLE B,GREASE",4,4,4,4,4,,,,,,,,,,,,,
9,1,,24761-050000,, "NIPPLE C,GREASE",1,1,1,1,1,,,,,,,,,,,,,
10,1,,172149-41480,, "LINK, TRACK(L)",1,1,1,1,1,,,,,,,,,,,,,
11,2,,172141-41370,, "BUSH 2015",2,2,2,2,2,,,,,,,,,,,,,
13,1,,172149-41530,, "LINK, TRACK(R)",1,1,1,1,1,,,,,,,,,,,,,
14,2,,172141-41370,, "BUSH 2015",2,2,2,2,2,,,,,,,,,,,,,
16,1,,172149-41600,, "LINK(B), SWING",1,1,1,1,1,,,,,,,,,,,,,
17,1,,172149-41710,, "SHAFT, TRACK",1,1,1,1,1,,,,,,,,,,,,,
18,1,,172149-41750,, "LINK(A), SWING",1,1,1,1,1,,,,,,,,,,,,,
19,2,,172141-41370,, "BUSH 2015",2,2,2,2,2,,,,,,,,,,,,,
21,1,,1A1040-45890,, "WASHER 10 36 4.5",1,1,1,1,1,,,,,,,,,,,,,
22,1,,172124-46200,, "O-RING 27X5.7",9,9,9,9,9,,,,,,,,,,,,,
23,1,,26013-100202,, "BOLT W/WASHER M10X20",2,2,2,2,2,,,,,,,,,,,,,
24,1,,172111-16890,, "GROMMET 9",1,1,1,1,1,,,,,,,,,,,,,
25,1,,172149-41800,, "PEDAL, SWING",1,1,1,1,1,,,,,,,,,,,,,
26-1,1,,172141-41940,, "LOCK, SWING",1,1,1,1,1,,1,,,,,,,,,,,,,
27,1,,172614-45170,, "SPRING 12",1,1,1,1,1,,,,,,,,,,,,,
28,1,,22217-100000,, "SPRING WASHER 10",2,2,2,2,2,,,,,,,,,,,,,
29,1,,22417-250200,, "COTTER PIN 2.5X20",1,1,1,1,1,,,,,,,,,,,,,
30,1,,26716-100002,, "NUT M10",2,2,2,2,2,,,,,,,,,,,,,
31,1,,933171-18390,, "PIN, FOOT BAR",1,1,1,1,1,,,,,,,,,,,,,
32,1,,172149-42500,, "ROD(A), SPOOL",2,2,2,2,2,,,,,,,,,,,,,
33,1,,172149-42520,, "ROD(B), SPOOL",1,1,1,1,1,,,,,,,,,,,,,
34,1,,172149-42590,, "ROD(F)",1,1,1,1,1,,,,,,,,,,,,,
35,1,,172149-42630,, "ROD, DRIVING",2,,2,,,,,,,,,,,,,
35-1A,1,,172149-42600,, "ROD, DRIVING",1,1,1,1,1,,S,,M00582,,,,,M00581,,,,,
35-1B,1,,172149-42610,, "ROD(R) W/BUSH",1,1,1,1,1,,W,,M00582,,,,,M00581,,,,,
36,1,,172122-46590,, "ELBALL 8",1,1,1,1,1,,,,,,,,,,,,,
37,1,,172122-46590,, "ELBALL 8",3,3,3,3,3,,,,,,,,,,,,,
38,1,,172122-47250,, "BALL 8, LINK",4,4,4,4,4,,,,,,,,,,,,,
39,1,,172122-47250,, "BALL 8, LINK",1,1,1,1,1,,,,,,,,,,,,,
40,1,,1C6281-52810,, "PIN,SNAP 10",3,,3,,,,,,,,,,,,,
40-1,1,,1C6281-52310,, "PIN 6,COME-OFF SNAP",3,3,3,3,3,,N,,M00582,,,,,M00581,,,,,
41,1,,22217-080000,, "SPRING WASHER 8",4,,4,,,,,Z,,M10949,,,,,M10719,,,,,
42,1,,22217-080000,, "SPRING WASHER 8",1,,1,,,,,Z,,M10949,,,,,M10719,,,,,
43,1,,22217-080000,, "SPRING WASHER 8",3,,3,,,,,Z,,M10949,,,,,M10719,,,,,
44,1,,22217-080000,, "SPRING WASHER 8",1,,1,,,,,Z,,M10949,,,,,M10719,,,,,
45,1,,26716-080002,, "NUT M 8",4,,4,,,,,,,,,,,,,
45-1,1,,26051-080002,, "NUT M 8",4,4,4,4,4,,N,,M10949,,,,,M10719,,,,,
46,1,,26716-080002,, "NUT M 8",9,,9,,,,,,,,,,,,,
46-1,1,,26051-080002,, "NUT M 8",6,6,6,6,6,,N,,M10949,,,,,M10719,,,,,
47,1,,26716-080002,, "NUT M 8",8,,8,,,,,,,,,,,,,
47-1,1,,26051-080002,, "NUT M 8",8,8,8,8,8,,N,,M10949,,,,,M10719,,,,,
48,1,,933110-54100,, "PIN 4.75X14",3,3,3,3,3,,,,,,,,,,,,,
49,1,,26013-100202,, "BOLT W/WASHER M10X20",1,1,1,1,1,,,,,,,,,,,,,
50,1,,26116-100602,, "BOLT M10X 60 PLATED",2,2,2,2,2,,,,,,,,,,,,,
51,1,,22137-080000,, "WASHER 8, POLISHED",2,2,2,2,2,,W,,M10949,,,,,M10719,,,,,
52,1,,22137-080000,, "WASHER 8, POLISHED",3,3,3,3,3,,W,,M10949,,,,,M10719,,,,,
53,1,,22137-080000,, "WASHER 8, POLISHED",4,4,4,4,4,,W,,M10949,,,,,M10719,,,,,
54,1,,26716-100002,, "NUT M10",2,,2,2,,,,,,,,,,,,,

Fig. 18 操縦装置 (走行&スイング) CONTROL EQUIPMENT (TRAVEL & SWING)



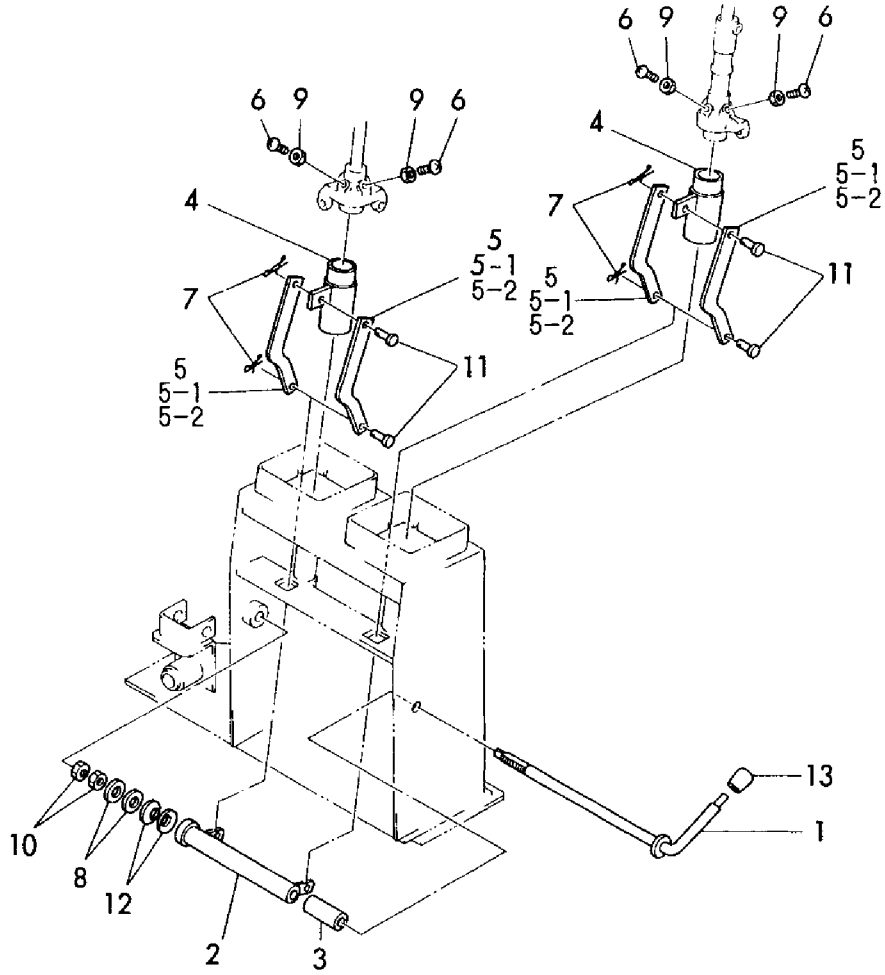
1,1,,172149-41190,, "LEVER, BLADE",1,1,,,,,,,,,,,,,
1-1,1,,172149-41191,, "LEVER, BLADE",1,1,1,1,1,1,,S,,MX,,,,MX,,,,,
1-2,1,,172149-41192,, "LEVER, BLADE",1,1,1,1,,S,,,,M20803,,,,M20546,,M20546
3,2,,172141-41360,, "BUSH 1415",2,2,2,2,2,,,,,,,,,,,,,
4,1,,172141-41340,,BOOTS,1,1,1,1,1,,,,,,,,,,,,,
5,1,,172116-45940,, "KNOB (C), LEVER",1,1,,,,,,,,,,,,,
5A,1,,172164-45970,, "GRIP, BLADE",1,1,1,,,,,,,,,,,,,
6,1,,24311-000210,, "O-RING 1A P-21.0",2,2,2,2,2,,,,,,,,,,,,,
7,1,,26013-100202,, "BOLT W/WASHER M10X20",2,2,2,2,2,,,,,,,,,,,,,
8,1,,172149-42670,, "SUPPORT, CABLE",1,1,1,1,1,,,,,,,,,,,,,
9,1,,172141-42960,, "JOINT, CABLE",1,1,1,1,1,,,,,,,,,,,,,
10,1,,172122-46590,, "ELBALL 8",1,1,1,1,1,,,,,,,,,,,,,
11,1,,172116-46910,, "JOINT, SPOOL",1,1,1,1,1,,,,,,,,,,,,,
12,1,,172149-42680,, "CABLE, BLADE",1,1,1,1,1,,,,,,,,,,,,,
13,1,,1C6281-52810,, "PIN,SNAP 10",1,1,,,,,,,,,,,,,
13-1,1,,1C6281-52310,, "PIN 6,COME-OFF SNAP",1,1,1,1,1,1,,N,,MX,,,,MX,,,,,
14,1,,22217-080000,, "SPRING WASHER 8",2,2,,,,,,,,,,,,,
14-1,1,,22217-080000,, "SPRING WASHER 8",1,1,1,1,1,1,,K,,MX,,,,MX,,,,,
15,1,,933110-54100,, "PIN 4.75X14",1,1,1,1,1,,,,,,,,,,,,,
16,1,,26716-080002,, "NUT M 8",1,1,1,,,,,,,,,,,,,
16-1,1,,26051-080002,, "NUT M 8",1,1,1,1,1,1,,N,,MX,,,,MX,,,,,

Fig. 19 操縦装置 (ブレード) CONTROL EQUIPMENT (BLADE)

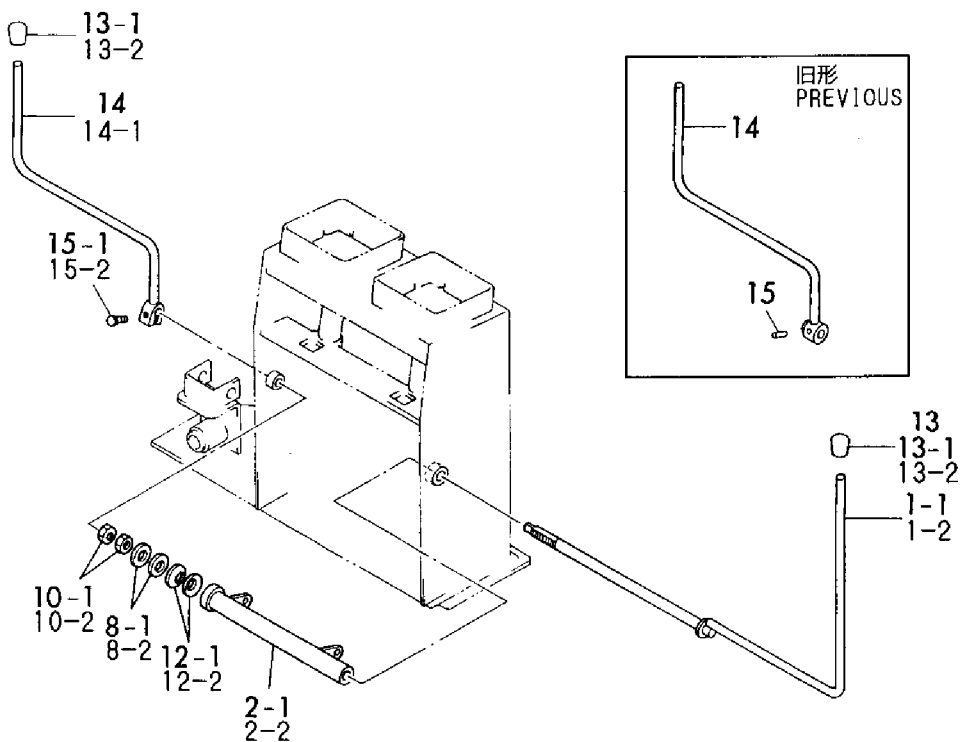


1,1,,172149-42300,, "LEVER, LOCK",1,1,1,1,1,,,,,,,,,,,,,
1-1,1,,172149-42301,, "LEVER, LOCK L",,1,1,,,S,,,,,M21277,,,,M20679,,
1-2,1,,172149-42301,, "LEVER, LOCK L",,,,,,1,,S,,,,,M20681
2,1,,172149-42350,, "ARM, LOCK",1,1,1,1,1,,,,,,,,,,,,,
2-1,1,,172149-42351,, "ARM ASSY, LOCK",,1,1,,,S,,,,,M21277,,,,M20679,,
2-2,1,,172149-42351,, "ARM ASSY, LOCK",,,,,,1,,S,,,,,M20681
3,1,,172149-42390,, "SPACER",1,1,1,1,1,,,,,,,,,,,,,
3-1,1,,172149-42390,, "SPACER",,1,1,,,Z,,,,,M21277,,,,M20679,,
3-2,1,,172149-42390,, "SPACER",,,,,,1,,Z,,,,,M20681
4,1,,172141-42600,, "PIPE, LOCK",2,2,2,2,2,,,,,,,,,,,,,
5,1,,172141-42700,, "LINK, LOCK",4,4,4,4,4,,,,,,,,,,,,,
5-1,1,,172141-42701,, "LINK, LOCK",,4,4,,,N,,,,,M21253,,,,M20673,,
5-2,1,,172141-42701,, "LINK, LOCK",,,,,,4,,N,,,,,M20681
6,1,,172141-42750,, "BOLT, STOPPER",8,8,8,8,8,,,,,,,,,,,,,
7,1,,1C6281-52310,, "PIN 6, COME-OFF SNAP",4,4,4,4,4,,,,,,,,,,,,,
8,1,,22137-120000,, "WASHER 12, POLISHED",4,4,4,4,4,,,,,,,,,,,,,
8-1,1,,22137-120000,, "WASHER 12, POLISHED",,2,2,,,K,,,,,M21277,,,,M20679,,
8-2,1,,22137-120000,, "WASHER 12, POLISHED",,,,,,2,,K,,,,,M20681
9,1,,26756-080002,, "LOCK NUT M 8 PLATED",8,8,8,8,8,,,,,,,,,,,,,
10,1,,26756-120002,, "LOCK NUT M12 PLATED",4,4,4,4,4,,,,,,,,,,,,,
10-1,1,,26756-120002,, "LOCK NUT M12 PLATED",,2,2,,,K,,,,,M21277,,,,M20679,,
10-2,1,,26756-120002,, "LOCK NUT M12 PLATED",,,,,,2,,K,,,,,M20681
11,1,,933110-54100,, "PIN 4.75X14",4,4,4,4,4,,,,,,,,,,,,,
12,1,,933170-01490,, "SPRING 12",4,4,4,4,4,,,,,,,,,,,,,
12-1,1,,933170-01490,, "SPRING 12",,2,2,,,K,,,,,M21277,,,,M20679,,
12-2,1,,933170-01490,, "SPRING 12",,,,,,2,,K,,,,,M20681
13,1,,172116-46630,, "KNOB, LOCK LEVER",1,1,1,1,1,,,,,,,,,,,,,
13-1,1,,172116-46630,, "KNOB, LOCK LEVER",,2,2,,,K,,,,,M21277,,,,M20679,,
13-2,1,,172116-46630,, "KNOB, LOCK LEVER",,,,,,2,,K,,,,,M20681
14,1,,172149-42320,, "LEVER, LOCK R",,1,1,,,W,,,,,M21277,,,,M20679,,
14-1,1,,172149-42320,, "LEVER, LOCK R",,,,,,1,,W,,,,,M20681
15,1,,22351-040025,, "PIN 4X25, SPRING",,1,1,,,W,,,,,M21277,,,,M20679,,
15-1,1,,26013-060202,, "BOLT M 6X 20",,1,1,,,N,,,,,*1995.09,,,,*1995.09,,
15-2,1,,26013-060202,, "BOLT M 6X 20",,,,,,1,,W,,,,,M20681

Fig. 20 作業レバーストッパ
 OPERATION LEVER STOPPER

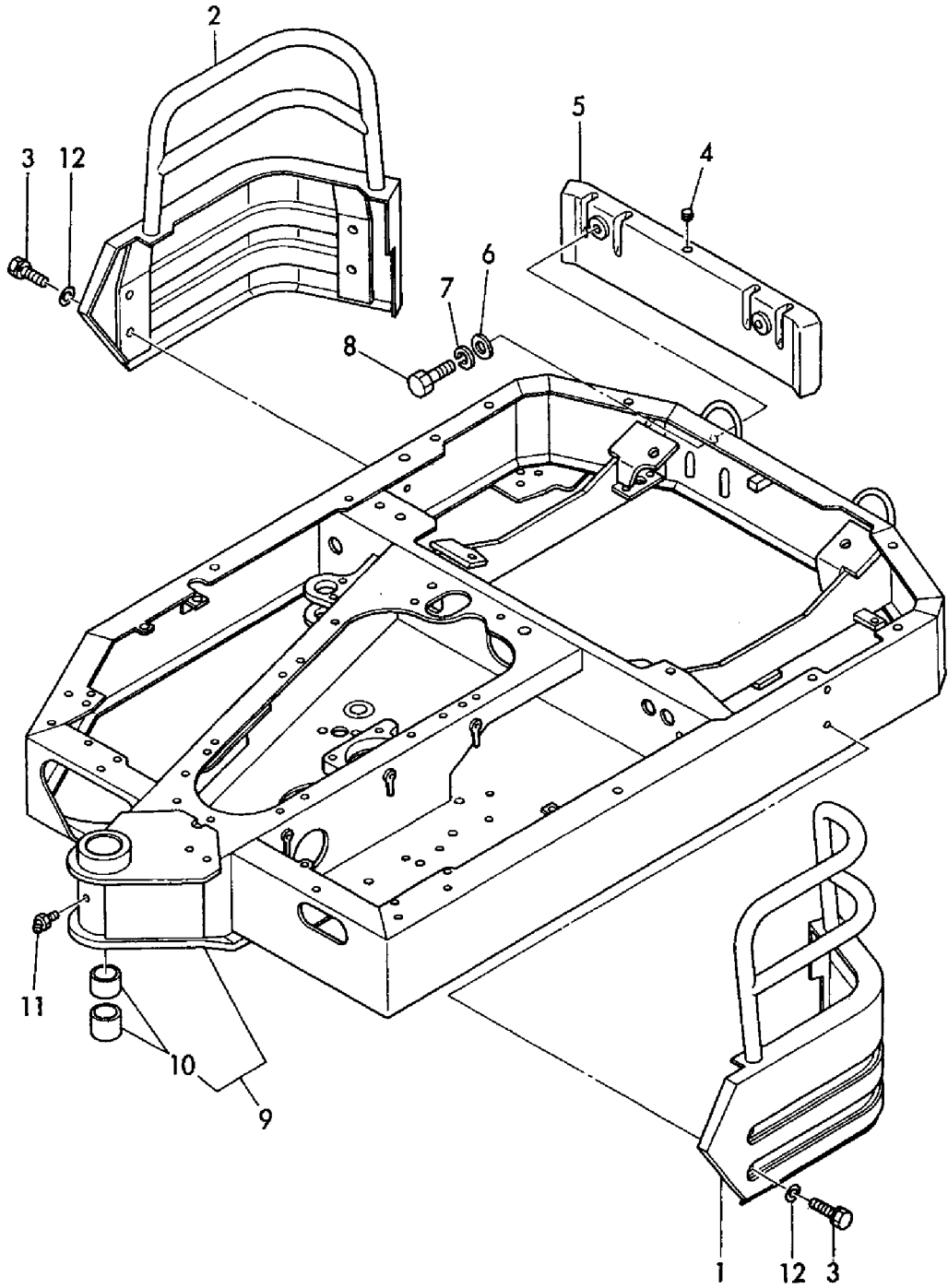


B12-2P (R)
 B17-2P (R)
 B17-2 (AS, EX)



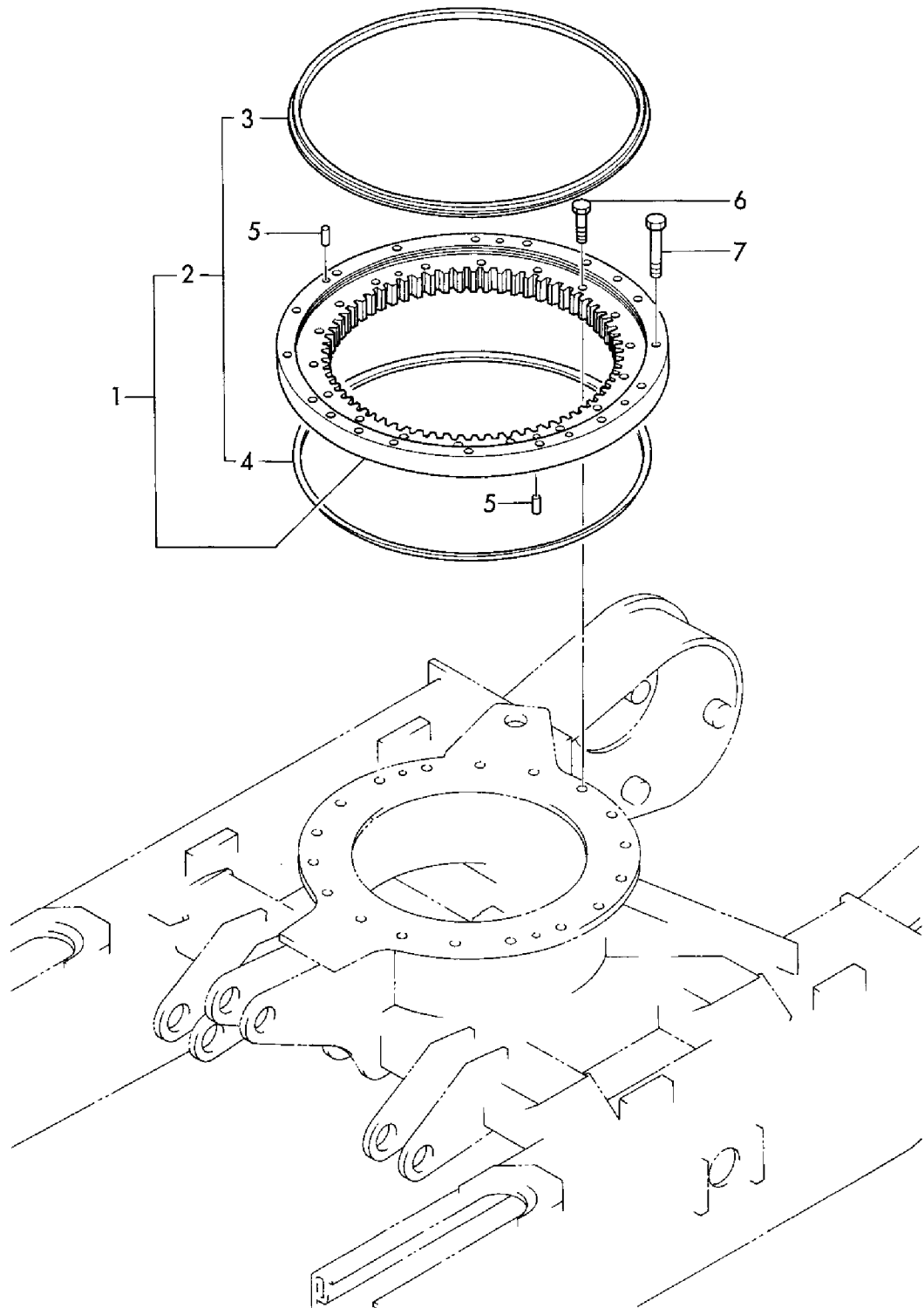
1,1,,172149-53100,,PROTECTOR(L),1,1,1,1,1,,,,,,,,,,,,,
2,1,,172149-53190,,PROTECTOR(R),1,1,1,1,1,,,,,,,,,,,,,
3,1,,26013-120302,, "BOLT W/WASHER M12X30",8,8,8,8,8,,,,,,,,,,,,,
4,1,,172111-16890,, "GROMMET 9",,1,1,1,,,,,,,,,,,,,
5,1,,172150-53350,, "WEIGHT, COUNTER",,1,1,1,,,,,,,,,,,,,
6,1,,22137-120000,, "WASHER 12,POLISHED",,2,2,2,,,,,,,,,,,,,
7,1,,22217-120000,, "WASHER 12,SPRING",,2,2,2,,,,,,,,,,,,,
8,1,,26116-120352,, "BOLT M12X 35 PLATED",,2,2,2,,,,,,,,,,,,,
9A,1,,172149-54100,, "FRAME, TURNING",1,,1,,,,,,,,,,,,,
9B,1,,172149-54100-3,, "FLAME,TURNING,G:86",,1,,1,1,,,,,,,,,,,,,
10,2,,172149-54050,, BUSH,2,2,2,2,2,,,,,,,,,,,,,
11,1,,24761-040000,, "NIPPLE B,GREASE",1,1,1,1,1,,,,,,,,,,,,,
12,1,,172730-05250,, "WASHER 12",8,8,8,8,8,,W,,M00501,,,,M00501,,,,,

Fig. 21 旋回フレーム
TURNING FRAME



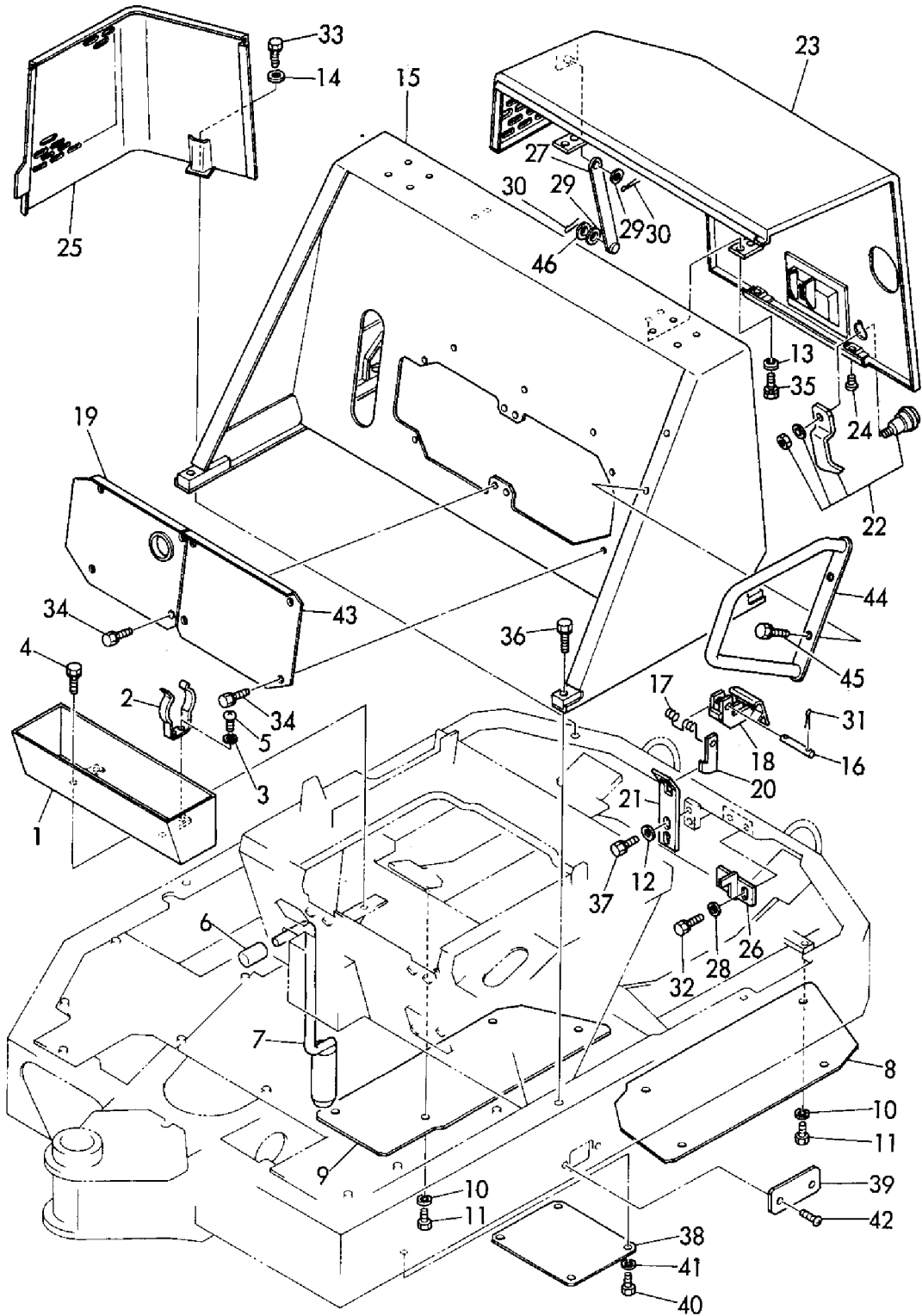
1,1,,172149-57600,, "BEARING, TURNING",1,1,1,1,1,,,,,,,,,,,,,
2,2,,172149-57610,, "SEAL SET",1,1,1,1,1,,,,,,,,,,,,,
3,3,,172149-57620,, "SEAL, UPPER",1,1,1,1,1,,,,,,,,,,,,,
4,3,,172149-57630,, "SEAL, LOWER",1,1,1,1,1,,,,,,,,,,,,,
5,1,,22312-100200,, "PARALLEL PIN 10X20",4,,4,,,,,,,,,,,,,
5-1,1,,194940-24350,, "PIN 10X28, STRAIGHT",4,4,4,4,4,,N,,M00501,,,,M00501,,,,,
6,1,,26116-120302,, "BOLT M12X 30 PLATED",18,18,18,18,18,,,,,,,,,,,,,
7,1,,26116-120502,, "BOLT M12X 50",18,,18,,,,,,,,,,,,,
7-1,1,,26116-120452,, "BOLT M12X 45 PLATED",18,18,18,18,18,,N,,MXXX,,,,MXXX,,,,,

Fig. 22 旋回ベアリング
TURNING BEARING



1,1,,172149-05300,, "BOX, TOOL",1,1,1,1,1,,,,,,,,,,,,,
2,1,,172122-55061,, "BRACKET, GREASE PUMP",2,2,2,2,2,,,,,,,,,,,,,
3,1,,22217-060000,, "SPRING WASHER 6",2,2,2,2,2,,,,,,,,,,,,,
4,1,,26013-100202,, "BOLT W/WASHER M10X20",2,2,2,2,2,,,,,,,,,,,,,
5,1,,26557-060102,, "SCREW M 6X 10",2,2,2,2,2,,,,,,,,,,,,,
6,1,,172116-46630,, "KNOB, LOCK LEVER",1,1,1,1,1,,,,,,,,,,,,,
7,1,,172149-58800,, "PIN, LOCK",1,1,1,1,1,,,,,,,,,,,,,
8,1,,172149-61100,, "COVER(L), UNDER",1,1,1,1,1,,,,,,,,,,,,,
9,1,,172149-61110,, "COVER, UNDER(R)",1,1,1,1,1,,,,,,,,,,,,,
10,1,,22217-100000,, "SPRING WASHER 10",8,8,8,8,8,,,,,,,,,,,,,
11,1,,26116-100162,, "BOLT M10X 16 PLATED",8,8,8,8,8,,,,,,,,,,,,,
12,1,,194145-04810,, "WASHER 10",2,2,2,2,2,,,,,,,,,,,,,
13,1,,194145-04810,, "WASHER 10",4,4,4,4,4,,,,,,,,,,,,,
14,1,,194145-04810,, "WASHER 10",3,3,3,3,3,,,,,,,,,,,,,
15A,1,,172149-65100,, "COVER(B)",1,,1,,,,,,,,,,,,,
15B,1,,172149-65100-3,, "COVER(B) (GREEN)",,1,,1,1,,,,,,,,,,,,,
16,1,,172734-65260,, "PIN, BONNET LEVER",1,1,1,1,1,,,,,,,,,,,,,
17,1,,172734-65270,, "SPRING, CATCH",1,1,1,1,1,,,,,,,,,,,,,
18,1,,172124-65450,, "LEVER, LOCK",1,1,1,1,1,,,,,,,,,,,,,
19,1,,172149-65450,, "PLATE(R)",1,1,1,1,1,,,,,,,,,,,,,
20,1,,172124-65480,, "CATCHER",1,1,1,1,1,,,,,,,,,,,,,
21,1,,172124-65490,, "PLATE,CATCH",1,1,1,1,1,,,,,,,,,,,,,
22,1,,172126-65500,, "KEY",1,1,1,1,1,,,,,,,,,,,,,
23A,1,,172149-65500,, "COVER(C)",1,,1,,,,,,,,,,,,,
23B,1,,172149-65500-1,, "COVER",1,,1,1,,,,,,,,,,,,,
24,1,,172137-65700,, "RUBBER, CUSHION",2,2,2,2,2,,,,,,,,,,,,,
25A,1,,172149-65740,, "COVER(R) (YELLOW)",,1,,1,,,,,,,,,,,,,
25B,1,,172149-65740-1,, "COVER(R)",,1,,1,1,,,,,,,,,,,,,
26,1,,172149-65840,, "HOOK",1,1,1,1,1,,,,,,,,,,,,,
27,1,,172149-65850,, "PLATE, ROD",1,1,1,1,1,,,,,,,,,,,,,
28,1,,22137-080000,, "WASHER 8, POLISHED",2,2,2,2,2,,,,,,,,,,,,,
29,1,,22157-080000,, "WASHER 8",2,2,2,2,2,,,,,,,,,,,,,
30,1,,22417-200100,, "COTTER PIN 2.0X10",2,2,2,2,2,,,,,,,,,,,,,
31,1,,22417-200200,, "COTTER PIN 2.0X20",2,2,2,2,2,,,,,,,,,,,,,
32,1,,26013-080162,, "BOLT W/WASHER M8X16",2,2,2,2,2,,,,,,,,,,,,,
33,1,,26013-100162,, "BOLT M10X 16",3,3,3,3,3,,,,,,,,,,,,,
34,1,,26013-100162,, "BOLT M10X 16",8,8,8,8,8,,,,,,,,,,,,,
35,1,,26013-100252,, "BOLT W/WASHER M10X25",4,4,4,4,4,,,,,,,,,,,,,
36,1,,26013-120452,, "BOLT M12X 45",4,4,4,4,4,,,,,,,,,,,,,
37,1,,26013-100202,, "BOLT W/WASHER M10X20",2,2,2,2,2,,,,,,,,,,,,,
38,1,,172149-64370,, "PLATE, UNDER",1,1,1,1,1,,,,,,,,,,,,,
39,1,,172149-64360,, "PLATE, FRAME(L)",1,1,1,1,1,,,,,,,,,,,,,
40,1,,26116-100162,, "BOLT M10X 16 PLATED",4,4,4,4,4,,,,,,,,,,,,,
41,1,,22217-100000,, "SPRING WASHER 10",4,4,4,4,4,,,,,,,,,,,,,
42,1,,172137-69850,, "SCREW",2,2,2,2,2,,,,,,,,,,,,,
43,1,,172149-65430,, "PLATE(L)",1,1,1,1,1,,,,,,,,,,,,,
44A,1,,172141-68200,, "GRIP",1,,1,,,,,,,,,,,,,
44B,1,,172141-68200-3,, "GRIP ASSY",,1,,1,1,,,,,,,,,,,,,
45,1,,26013-100252,, "BOLT W/WASHER M10X25",2,2,2,2,2,,,,,,,,,,,,,
46,1,,1A1380-48040,, "SEAL WASHER 8",1,1,1,1,1,W,,,M01179,,,,M00906,,,,,
46-1,1,,22190-080000,, "SEAL WASHER 8(BOLT)",1,1,1,1,1,N,,,M10501,,,,M10501,,,,,

Fig. 23 ボンネット
BONNET



1,1,,194145-04810,, "WASHER 10",2,,2,,,,,,,,,,,,,,,,,,,,,
2,1,,172149-62100,, "STEP, CENTER",1,,1,,,,,,,,,,,,,,,,,,,,,
3,1,,172149-62150,, "STEP, SIDE",1,,1,,,,,,,,,,,,,,,,,,,,,
4,1,,26013-100202,, "BOLT W/WASHER M10X20",10,,10,,,,,,,,,,,,,,,,,,,,,
5,1,,172149-64200,, MOUNT,1,,1,,,,,,,,,,,,,,,,,,,,,
6,1,,172149-64340,, "COVER, PEDAL",1,,1,,,,,,,,,,,,,,,,,,,,,
7,1,,172149-64400,, "PLATE, SEAT",1,,1,,,,,,,,,,,,,,,,,,,,,
8,1,,172149-64420,, "ADJUSTER, SEAT",1,,1,,,,,,,,,,,,,,,,,,,,,
8-1,1,,172149-64420,, "ADJUSTER, SEAT",2,,2,,,,,K,,M10501,,,,,M10501,,,,,
9,1,,172149-64450,, "LEVER, SEAT LOCK",1,,1,,,,,,,,,,,,,,,,,,,,,
10,1,,172149-64470,, "SEAL, MOUNT",1,,1,,,,,,,,,,,,,,,,,,,,,
11,1,,22217-080000,, "SPRING WASHER 8",4,,4,,,,,,,,,,,,,,,,,,,,,
12,1,,22217-100000,, "SPRING WASHER 10",2,,2,,,,,,,,,,,,,,,,,,,,,
13,1,,26013-080162,, "BOLT W/WASHER M8X16",4,,4,,,,,,,,,,,,,,,,,,,,,
14,1,,26013-100202,, "BOLT W/WASHER M10X20",6,,6,,,,,,,,,,,,,,,,,,,,,
15,1,,26716-080002,, "NUT M 8",4,,4,,,,,,,,,,,,,,,,,,,,,
16,1,,26716-100002,, "NUT M10",2,,2,,,,,,,,,,,,,,,,,,,,,
17,1,,172068-51740,, "SPRING SHOE",1,,1,,,,,,,,,,,,,,,,,,,,,
17-1,1,,172149-64480,, "COLLAR 11X21",1,,1,,,,,N,,M00501,,,,,M00501,,,,,
18,1,,194740-00160,, "WASHER 10, CONICAL",2,,2,,,,,,,,,,,,,,,,,,,,,
19,1,,26716-100002,, "NUT M10",2,,2,,,,,,,,,,,,,,,,,,,,,
20,1,,172116-46630,, "KNOB, LOCK LEVER",1,,1,,,,,,,,,,,,,,,,,,,,,
21,1,,22137-100000,, "WASHER 10,POLISHED",1,,1,,,,,,,,,,,,,,,,,,,,,
22,1,,172137-64201,, SEAT,1,,1,,,,,,,,,,,,,,,,,,,,,
23,1,,172141-64370,, "CUSHION, SEAT",2,,2,,,,,,,,,,,,,,,,,,,,,
24,1,,194201-61330,, "WASHER 11",6,,6,,,,,,,,,,,,,,,,,,,,,
25,1,,22137-080000,, "WASHER 8, POLISHED",4,,4,,,,,,,,,,,,,,,,,,,,,
26,1,,26013-080162,, "BOLT W/WASHER M8X16",4,,4,,,,,,,,,,,,,,,,,,,,,

Fig. 24 シート&ステップ (B12/17 (-1))
SEAT&STEP (B12/17 (-1))

B12P (R)
B12-1P (R)
B17P (R)
B17-1P (R)

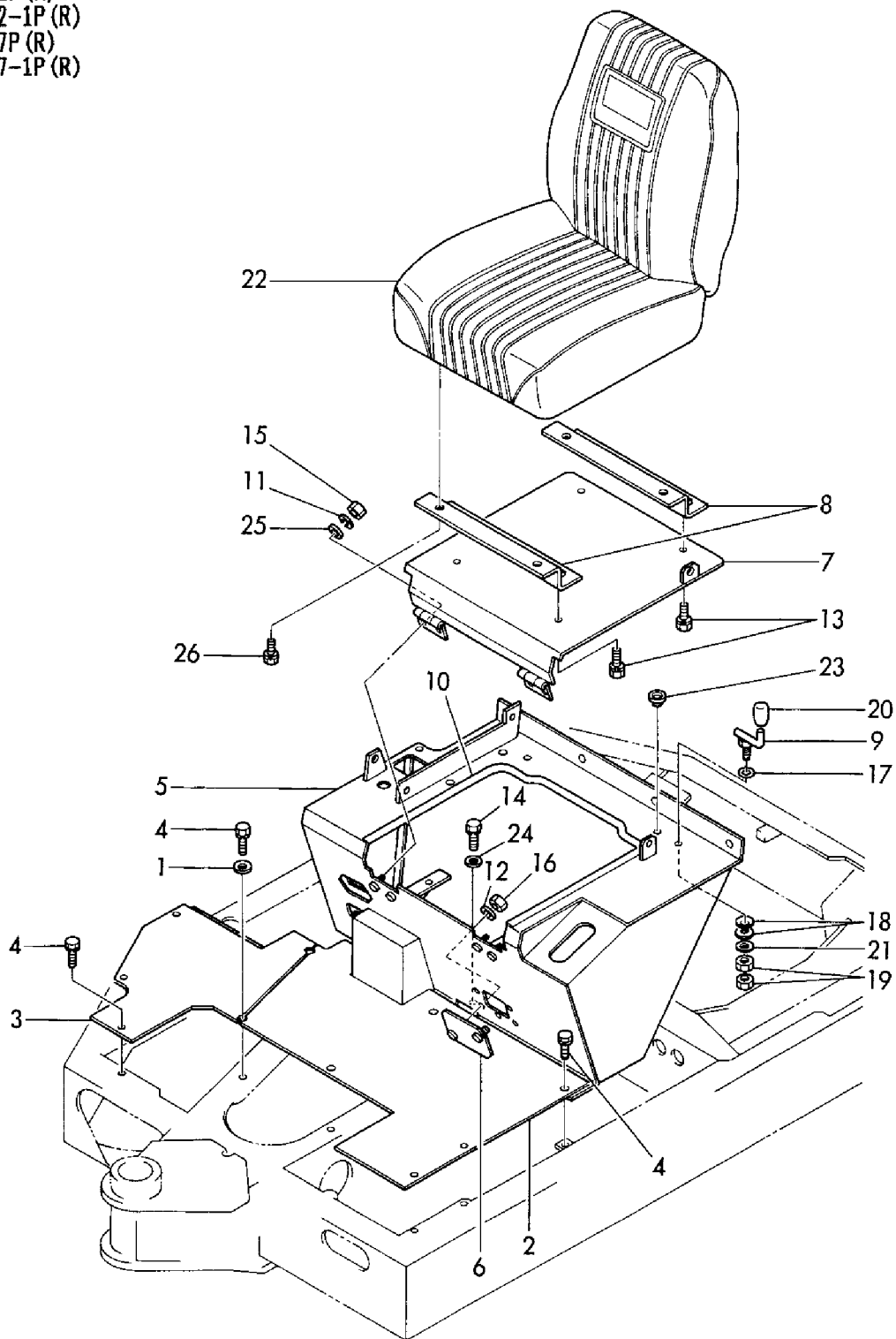
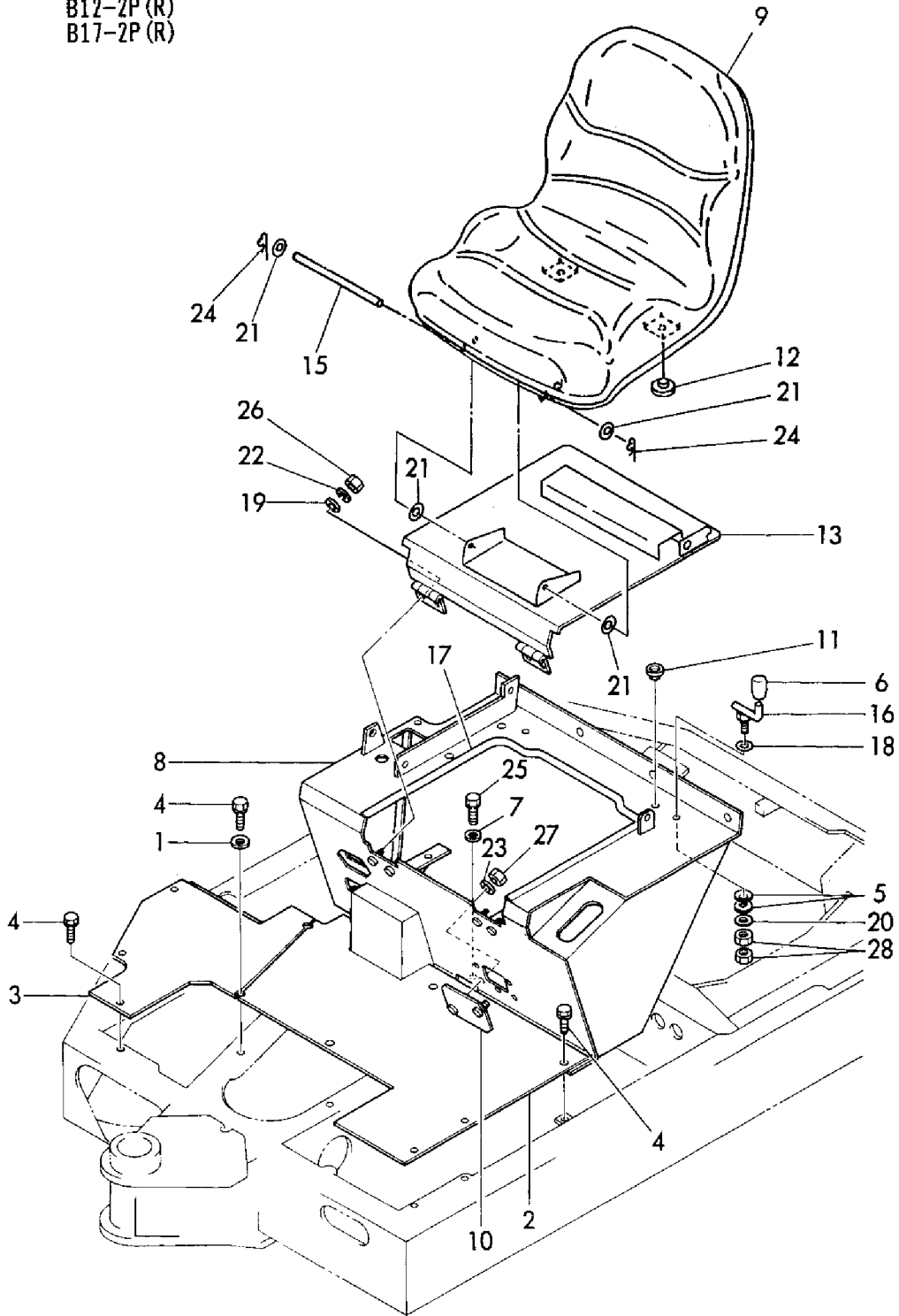


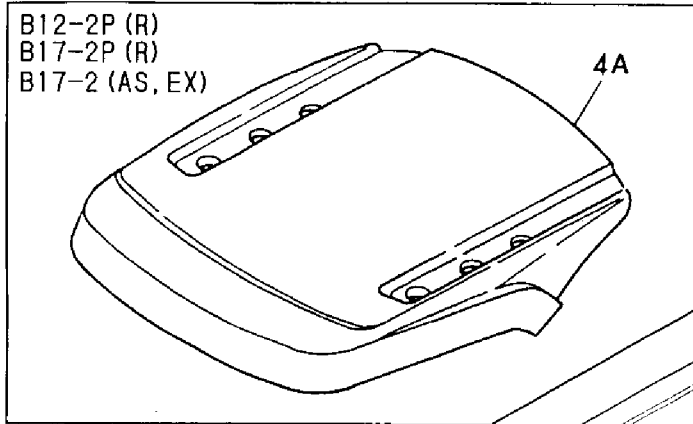
Fig. 25 シート&ステップ (B12/17-2)
SEAT & STEP (B12/17-2)

B12-2P (R)
B17-2P (R)

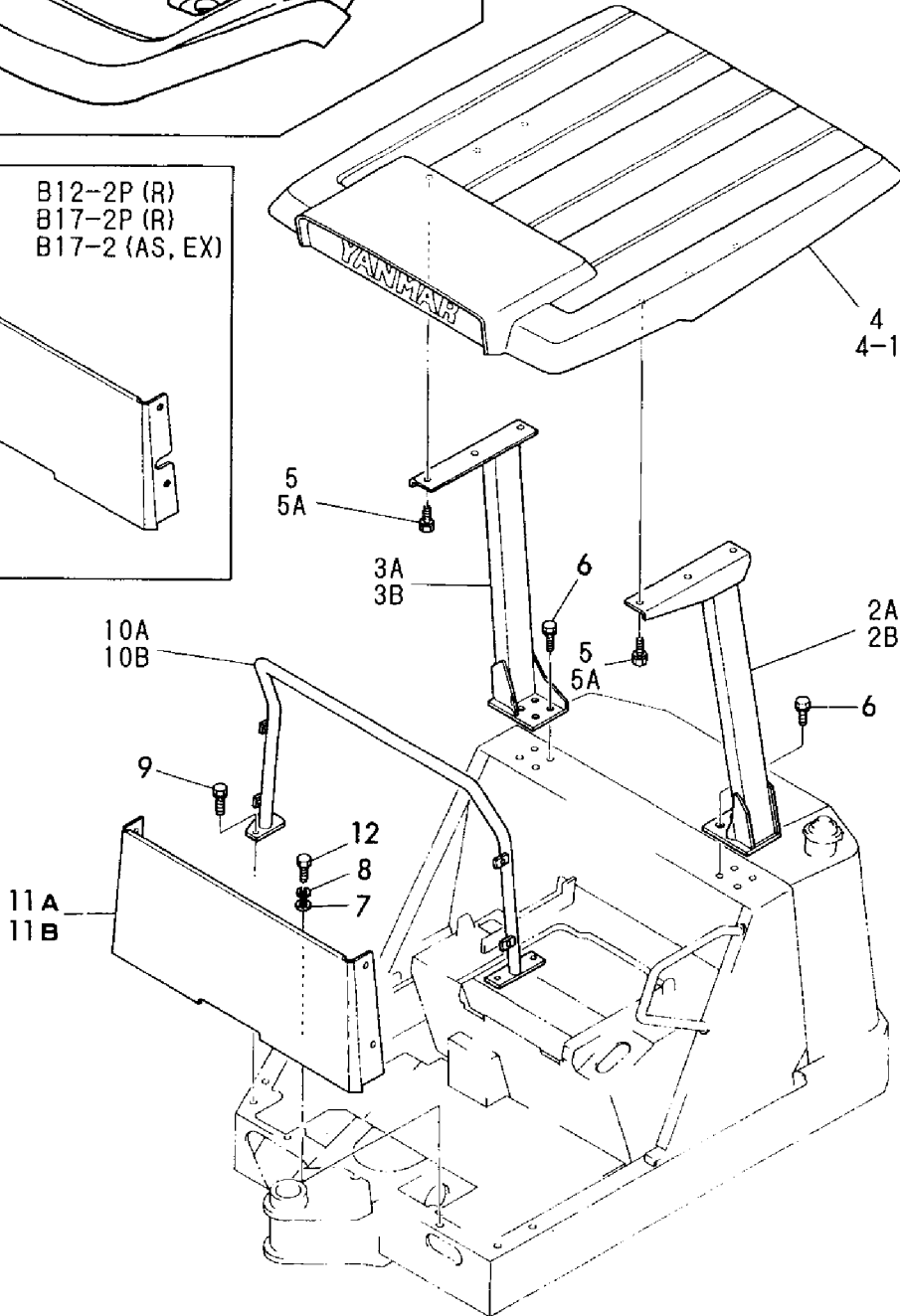
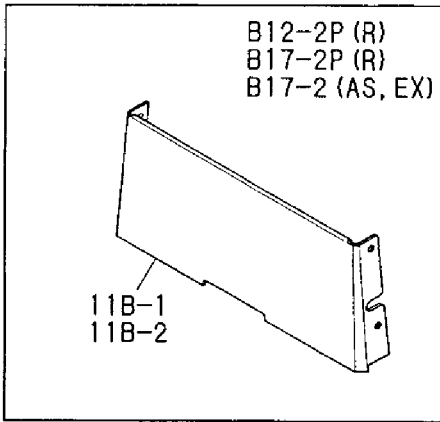


1,1,,772149-68100,, "CANOPY ASSY",1,,1,,,,,,,,,,,,,
1-1,1,,772149-68101,, "CANOPY ASSY",1,,1,,,,,N,,,M10611,,,,,M10540,,,,,
1A,1,,772149-68110,, "CANOPY ASSY",1,,1,1,,,,,,,,,,,,,
2A,2,,172149-68110,, "POLE(L), CANOPY",1,,1,,,,,,,,,,,,,
2B,2,,172149-68110-3,, "POLE(L) CANOPY",1,,1,1,,,,,,,,,,,,,
3A,2,,172149-68120,, "POLE(R), CANOPY",1,,1,,,,,,,,,,,,,
3B,2,,172149-68120-3,, "POLE(R), CANOPY",1,,1,1,,,,,,,,,,,,,
4,2,,172134-68200,, "ROOF, CANOPY",1,,1,,,,,,,,,,,,,
4-1,2,,172141-68250,, "ROOF, CANOPY",1,,1,,,,,N,,,M10611,,,,,M10540,,,,,
4A,2,,172165-68301,, "ROOF, CANOPY",1,,1,1,,,,,,,,,,,,,
5,2,,26013-120252,, "BOLT M12X 25",6,,6,,,,,,,,,,,,,
5A,2,,26013-120302,, "BOLT W/WASHER M12X30",6,,6,6,,,,,,,,,,,,,
6,2,,26013-120352,, "BOLT M12X 35",8,8,8,8,8,,,,,,,,,,,,,
7,1,,22137-100000,, "WASHER 10,POLISHED",6,6,6,6,6,,,,,,,,,,,,,
8,1,,22217-100000,, "SPRING WASHER 10",6,6,6,6,6,,,,,,,,,,,,,
9,1,,26013-100252,, "BOLT W/WASHER M10X25",4,4,4,4,4,,,,,,,,,,,,,
10A,1,,172149-68300,, "CANOPY'F(CREAM WHITE",1,,1,,,,,,,,,,,,,
10B,1,,172149-68300-3,, "CANOPY(F) (GREEN)",1,,1,1,,,,,,,,,,,,,
11A,1,,172149-68350,, "COVER, FRONT",1,,1,,,,,,,,,,,,,
11B,1,,172149-68350-3,, "COVER,FRONT(GREEN:86",1,,1,1,,,,,,,,,,,,,
11B-1,1,,172149-68351,,COVER,,1,,1,,,,,N,,,,,M21277,,,,,M20679,,
11B-2,1,,172149-68351,,COVER,,,,,1,,N,,,,,M20681
12,1,,26116-100162,, "BOLT M10X 16 PLATED",6,6,6,6,6,,,,,,,,,,,,,

Fig. 26 キヤノピ
CANOPY



見出しNo. 1は、見出しNo. 2から
6を含みます。
1 inc. 2 ~ 6

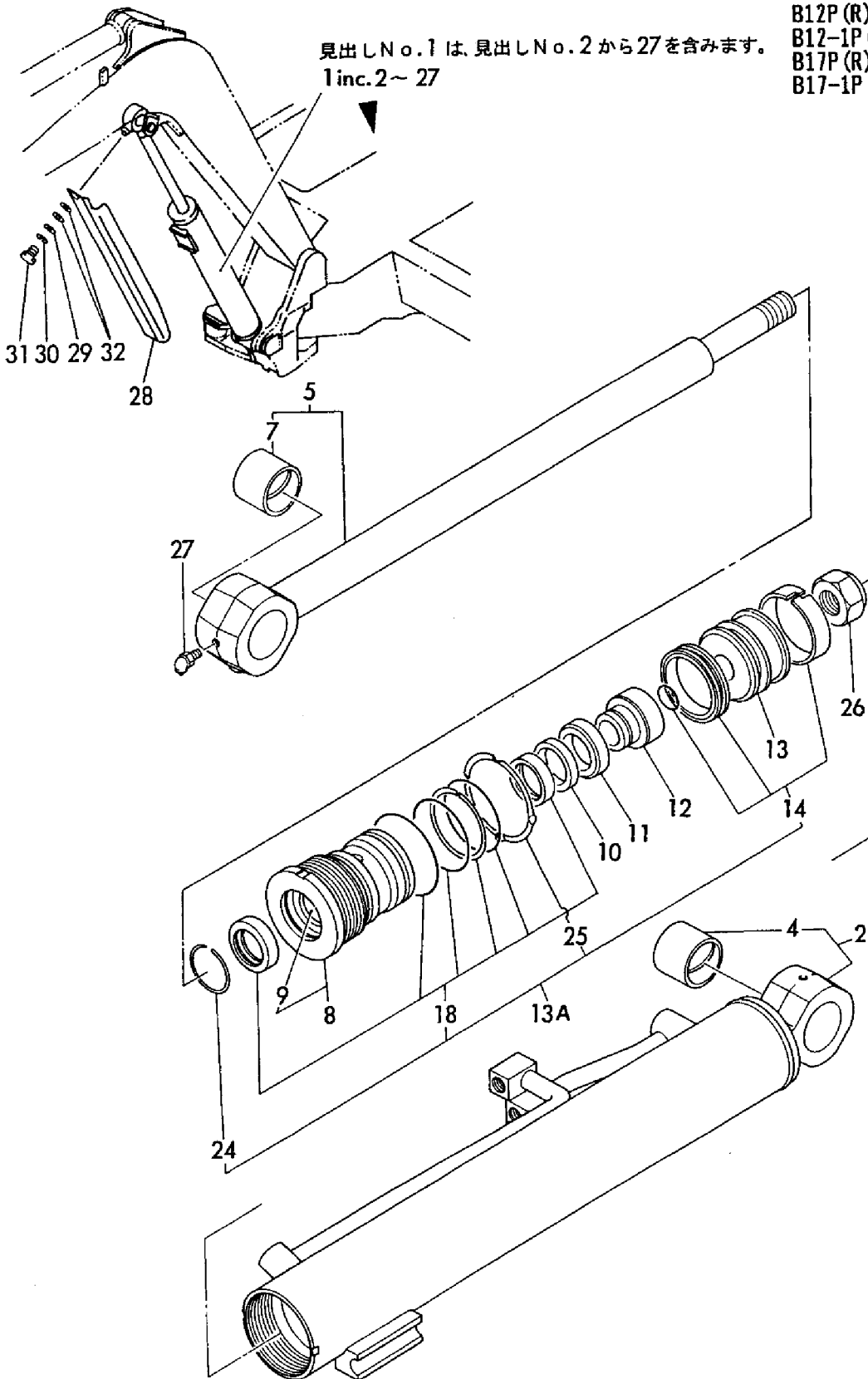


1,1,,172149-72100,, "CYLINDER ASSY,BOOM",1,,1,,,,,,,,,,,,,
2,2,,772149-72110,, "TUBE W/BUSH, BOOM",1,,1,,,,,,,,,,,,,
4,3,,172141-72560,, "BUSH 35 40 A, PIN",1,,1,,,,,,,,,,,,,
5,2,,772149-72200,, "ROD W/BUSH, BOOM",1,,1,,,,,,,,,,,,,
7,3,,172141-72560,, "BUSH 35 40 A, PIN",1,,1,,,,,,,,,,,,,
8,2,,172149-72240,, "HEAD 6035",1,,1,,,,,,,,,,,,,
9,3,,933111-01600,, "BUSH 35 30, ROD",1,,1,,,,,,,,,,,,,
10,2,,172137-72250,, "COLLAR, CUSHION",1,,1,,,,,,,,,,,,,
11,2,,172137-72260,, "RING 41, CUSHION",1,,1,,,,,,,,,,,,,
12,2,,172137-72271,, "COLLAR 41B, CUSHION",1,,1,,,,,,,,,,,,,
13,2,,172137-72431,, "PISTON 60G",1,,1,,,,,,,,,,,,,
13A,2,,172149-99340,, "KIT, BOOM CYLINDER",1,,1,,,,,W,,,,MXXX,,,,MXXX,,,,,
13A-1,2,,172149-99341,, "BOOMCYLINDER SET",1,,1,,,,,N,,,,M01568,,,,M01122,,,,,
14,3,,172137-72462,, "SEAL SET 60B, PISTON",1,,1,,,,,,,,,,,,,
18,3,,172149-72010,, "SEAL SET, HEAD",1,,1,,,,,,,,,,,,,
18-1,3,,172149-72011,, "SEAL SET, HEAD",1,,1,,,,,N,,,,M01568,,,,M01122,,,,,
24,3,,172141-73090,, "RING 50, SPRING",1,,1,,,,,,,,,,,,,
25,3,,933125-59600,, "WASHER 60 B, LOCK",1,,1,,,,,,,,,,,,,
26,2,,172141-72580,, "NUT M20",1,,1,,,,,,,,,,,,,
27,2,,24761-040000,, "NIPPLE B,GREASE",1,,1,,,,,,,,,,,,,
28,1,,172149-72280,, "COVER, BOOM",1,,1,,,,,,,,,,,,,
29,1,,22157-100000,, "WASHER 10",1,,1,,,,,,,,,,,,,
30,1,,22217-100000,, "SPRING WASHER 10",1,,1,,,,,,,,,,,,,
31,1,,26116-100162,, "BOLT M10X 16 PLATED",1,,1,,,,,,,,,,,,,
32,1,,933168-14170,, "SPRING 16",2,,2,,,,,,,,,,,,,

Fig. 27 ブームシリンダ (B12/17 (-1))
 BOOM CYLINDER (B12/17 (-1))

見出しNo. 1 は、見出しNo. 2 から 27 を含みます。
 1 inc. 2 ~ 27

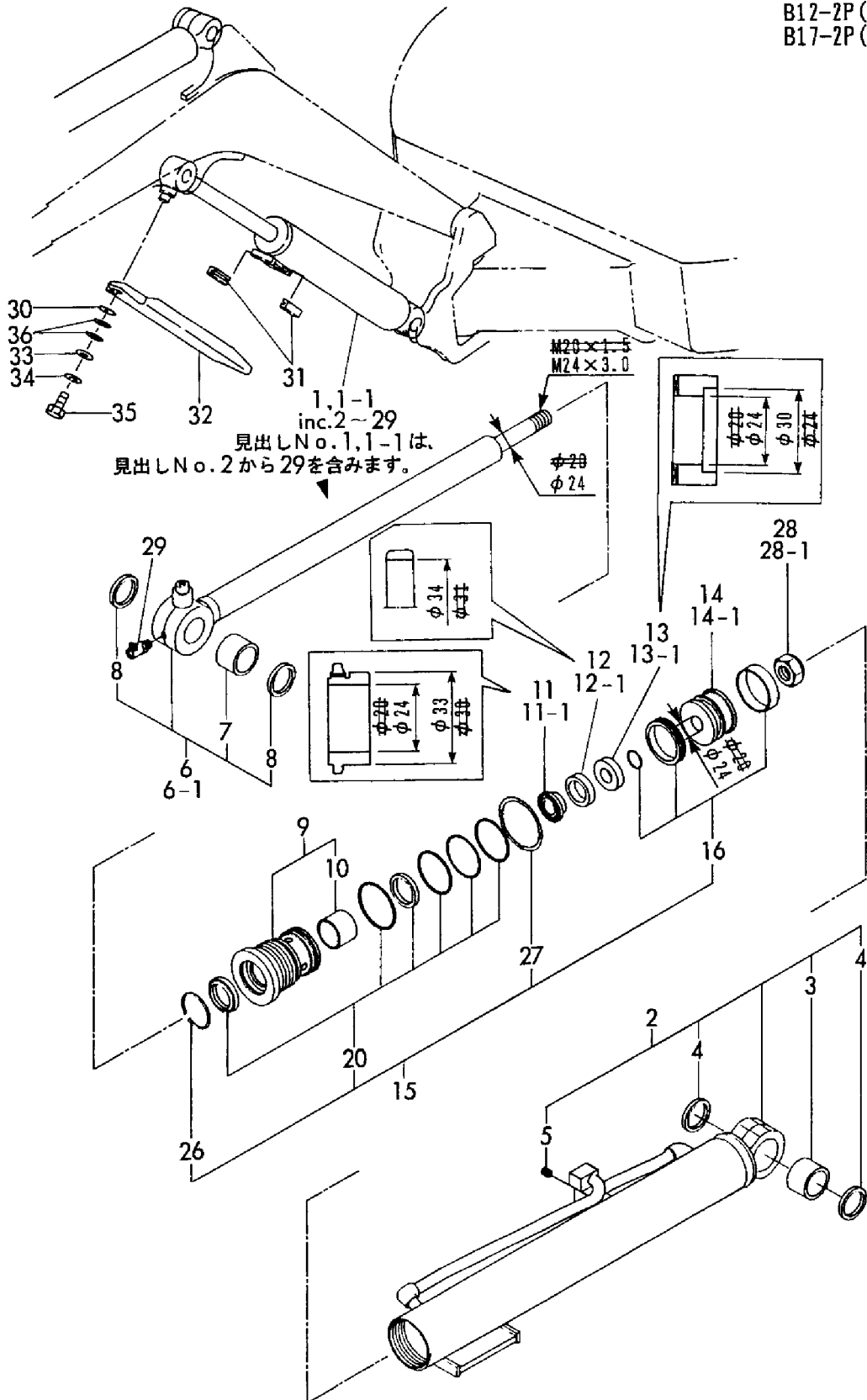
B12P (R)
 B12-1P (R)
 B17P (R)
 B17-1P (R)



1,1,,172149-72101,, "CYLINDER, BOOM",,1,,1,1,,,,,,,,,,,,,
1-1,1,,172149-72102,, "CYLINDER,
BOOM",,1,,1,1,N,,,,,M/#21095,,,,M/#20616,,M/#20616
2,2,,172149-72112,, "TUBE W/BUSH, BOOM",,1,,1,1,,,,,,,,,,,,,
3,3,,172141-72561,, "BUSH 35 40 A, PIN",,1,,1,1,,,,,,,,,,,,,
4,3,,172171-81280,, "SEAL 35X45X4",,2,,2,2,,,,,,,,,,,,,
5,3,,23871-010000,, "PLUG PT1/8,SCREW",,1,,1,1,,,,,,,,,,,,,
6,2,,172149-72201,, "ROD COMP.,BOOM",,1,,1,1,,,,,,,,,,,,,
6-1,2,,172149-72202,, "ROD
COMP.,BOOM",,1,,1,1,,S,,,,,M/#21095,,,,M/#20616,,M/#20616
7,3,,172141-72561,, "BUSH 35 40 A, PIN",,1,,1,1,,,,,,,,,,,,,
8,3,,172171-81280,, "SEAL 35X45X4",,2,,2,2,,,,,,,,,,,,,
9,2,,172149-72241,, "HEAD 6035 COMPL.",,1,,1,1,,,,,,,,,,,,,
10,3,,933111-01600,, "BUSH 35 30, ROD",,1,,1,1,,,,,,,,,,,,,
11,2,,172137-72250,, "COLLAR, CUSHION",,1,,1,1,,,,,,,,,,,,,
11-1,2,,172137-72251,, "SUPPORT",,1,,1,1,,S,,,,,M/#21095,,,,M/#20616,,M/#20616
12,2,,172137-72260,, "RING 41, CUSHION",,1,,1,1,,,,,,,,,,,,,
12-1,2,,172137-72261,, "RING 41,
CUSHION",,1,,1,1,,S,,,,,M/#21095,,,,M/#20616,,M/#20616
13,2,,172137-72271,, "COLLAR 41B, CUSHION",,1,,1,1,,,,,,,,,,,,,
13-1,2,,172137-72272,, "COLLAR 41B,
CUSHION",,1,,1,1,,S,,,,,M/#21095,,,,M/#20616,,M/#20616
14,2,,172137-72431,, "PISTON 60G",,1,,1,1,,,,,,,,,,,,,
14-1,2,,172171-72120,, "PISTON",,1,,1,1,,S,,,,,M/#21095,,,,M/#20616,,M/#20616
15,2,,172149-99341,, "BOOMCYLINDER SET",,1,,1,1,,,,,,,,,,,,,
16,3,,172137-72462,, "SEAL SET 60B, PISTON",,1,,1,1,,,,,,,,,,,,,
16-1,3,,172137-72463,, "SEAL SET 60B,
PISTON",,1,,1,1,,S,,,,,M/#21095,,,,M/#20616,,M/#20616
20,3,,172149-72011,, "SEAL SET, HEAD",,1,,1,1,,,,,,,,,,,,,
26,3,,172141-73090,, "RING 50, SPRING",,1,,1,1,,,,,,,,,,,,,
27,3,,933125-59600,, "WASHER 60 B, LOCK",,1,,1,1,,,,,,,,,,,,,
28,2,,172141-72580,, "NUT M20",,1,,1,1,,,,,,,,,,,,,
28-1,2,,172171-72130,, "U-NUT M24",,1,,1,1,,S,,,,,M/#21095,,,,M/#20616,,M/#20616
29,2,,24761-040000,, "NIPPLE B,GREASE",,1,,1,1,,,,,,,,,,,,,
30,1,,172149-72750,, "SPACER",,1,,1,1,,,,,,,,,,,,,
31,1,,172162-61770,, "GUIDE,SLIDE",,2,,2,2,,,,,,,,,,,,,
32,1,,172149-72650,, "COVER, BOOM CYL.",,1,,1,1,,,,,,,,,,,,,
33,1,,22157-100000,, "WASHER 10",,1,,1,1,,,,,,,,,,,,,
34,1,,22217-100000,, "SPRING WASHER 10",,1,,1,1,,,,,,,,,,,,,
35,1,,26116-100162,, "BOLT M10X 16 PLATED",,1,,1,1,,,,,,,,,,,,,
36,1,,933168-14170,, "SPRING 16",,2,,2,2,,,,,,,,,,,,,

Fig. 28 ブームシリンダ (B12/17-2)
BOOM CYLINDER (B12/17-2)

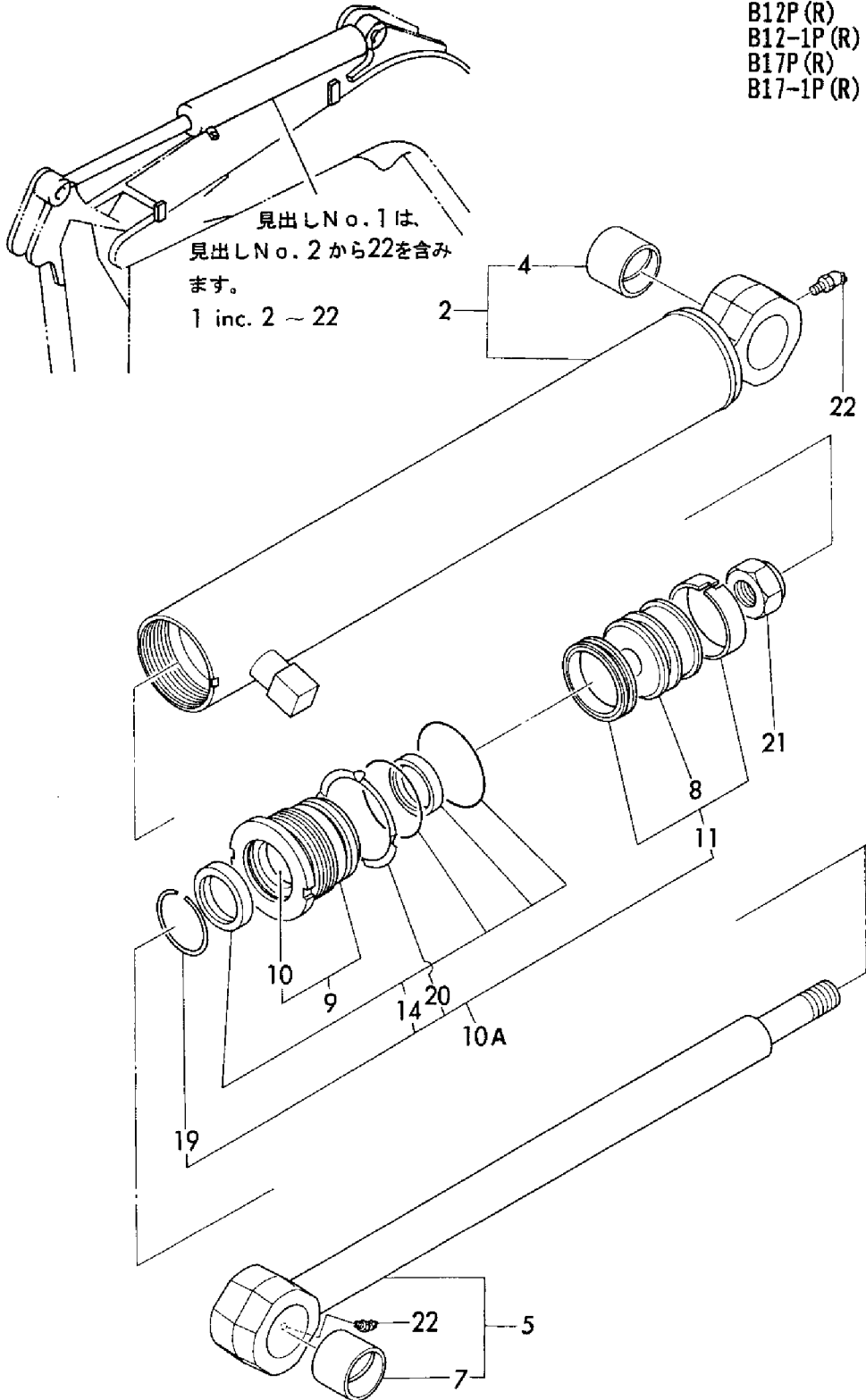
B12-2P (R)
B17-2P (R)



1,1,,172149-72350,, "CYLINDER ASSY, ARM",1,,1,,,,,,,,,,,,,
2,2,,772149-72360,, "TUBE W/BUSH, ARM",1,,1,,,,,,,,,,,,,
4,3,,933125-05400,, "BUSH 30X40, PIN",1,,1,,,,,,,,,,,,,
5,2,,772149-72380,, "ROD W/BUSH, ARM",1,,1,,,,,,,,,,,,,
7,3,,933125-05400,, "BUSH 30X40, PIN",1,,1,,,,,,,,,,,,,
8,2,,172137-72431,, "PISTON 60G",1,,1,,,,,,,,,,,,,
9,2,,172141-72540,, "HEAD 6035, CYLINDER",1,,1,,,,,,,,,,,,,
10,3,,933111-01600,, "BUSH 35 30, ROD",1,,1,,,,,,,,,,,,,
10A,2,,172149-99380,, "CYLINDER KIT, BUCKET",1,,1,,W,,MXXX,,MXXX,,
11,3,,172137-72452,, "SEAL SET 60A, PISTON",1,,1,,,,,,,,,,,,,
14,3,,172141-71900,, "SEAL SET, HEAD",1,,1,,,,,,,,,,,,,
19,3,,172141-73090,, "RING 50, SPRING",1,,1,,,,,,,,,,,,,
20,3,,933125-59600,, "WASHER 60 B, LOCK",1,,1,,,,,,,,,,,,,
21,2,,172141-72580,, "NUT M20",1,,1,,,,,,,,,,,,,
22,2,,24761-040000,, "NIPPLE B,GREASE",2,,2,,,,,,,,,,,,,

Fig. 29 アームシリンダ (B12/17 (-1))
 ARM CYLINDER (B12/17 (-1))

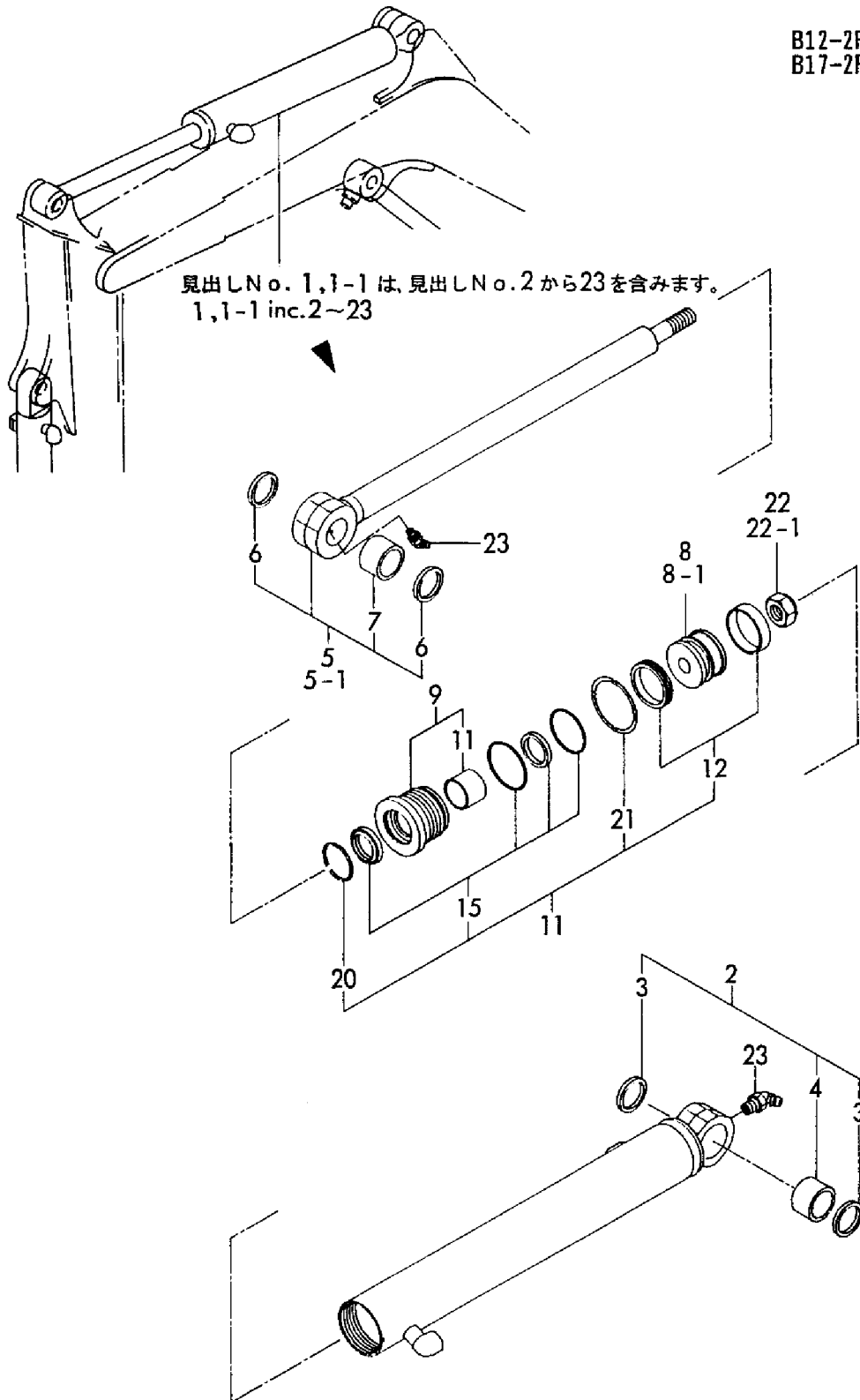
B12P (R)
 B12-1P (R)
 B17P (R)
 B17-1P (R)



1,1,,172149-72351,, "CYLINDER, ARM" ,1,1,1,,,,,,,,,
1-1,1,,172149-72352,, "CYLINDER, ARM" ,1,1,1,N,,,,,M20730,,,,M20521,,M20521
2,2,,172149-72361,, "TUBE ASSY, ARM" ,1,1,1,,,,,,,,,
3,3,,172183-72290,, "SEAL 38X48X 4, DUST" ,2,2,2,,,,,,,,,
4,3,,172149-72440,, "BUSH A 30X30,PIN" ,1,1,1,,,,,,,,,
5,2,,172149-72381,, "ROD COMP.,ARM" ,1,1,1,,,,,,,,,
5-1,2,,172149-72382,, "ROD COMP.,ARM" ,1,1,1,S,,,,,M20730,,,,M20521,,M20521
6,3,,172183-72290,, "SEAL 38X48X 4, DUST" ,2,2,2,,,,,,,,,
7,3,,172149-72440,, "BUSH A 30X30,PIN" ,1,1,1,,,,,,,,,
8,2,,172137-72431,, "PISTON 60G" ,1,1,1,,,,,,,,,
8-1,2,,172171-72120,, "PISTON" ,1,1,1,S,,,,,M20730,,,,M20521,,M20521
9,2,,172141-72540,, "HEAD 6035, CYLINDER" ,1,1,1,,,,,,,,,
10,3,,933111-01600,, "BUSH 35 30, ROD" ,1,1,1,,,,,,,,,
11,2,,172149-99380,, "CYLINDER KIT, BUCKET" ,1,1,1,,,,,,,,,
12,3,,172137-72452,, "SEAL SET 60A, PISTON" ,1,1,1,,,,,,,,,
15,3,,172141-71900,, "SEAL SET, HEAD" ,1,1,1,,,,,,,,,
20,3,,172141-73090,, "RING 50, SPRING" ,1,1,1,,,,,,,,,
21,3,,933125-59600,, "WASHER 60 B, LOCK" ,1,1,1,,,,,,,,,
22,2,,172141-72580,, "NUT M20" ,1,1,1,,,,,,,,,
22-1,2,,172171-72130,, "U-NUT M24" ,1,1,1,S,,,,,M20730,,,,M20521,,M20521
23,2,,24761-040000,, "NIPPLE B,GREASE" ,2,2,2,,,,,,,,,

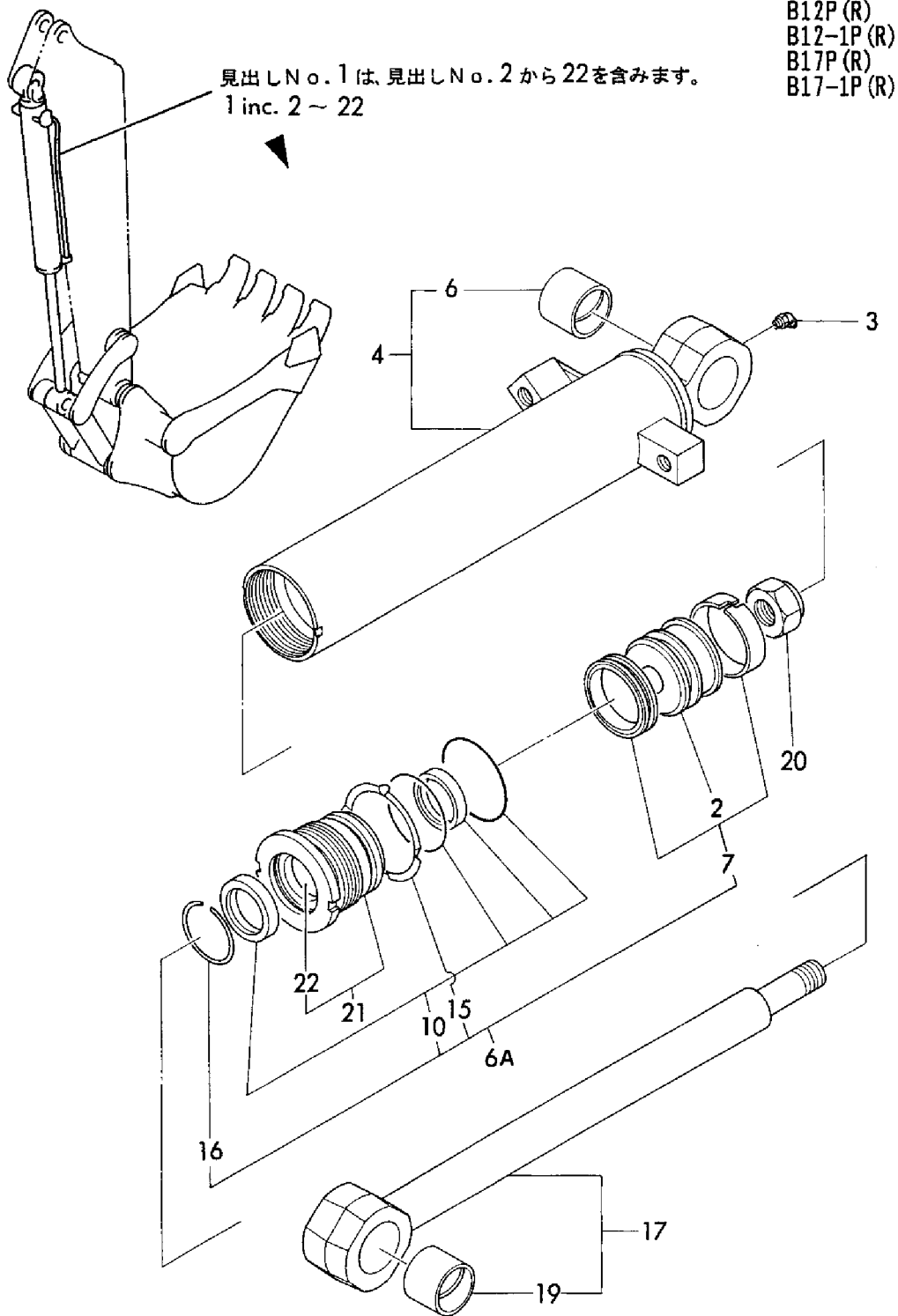
Fig. 30 アームシリンダ (B12/17-2)
 ARM CYLINDER (B12/17-2)

B12-2P (R)
 B17-2P (R)



1,1,,933120-28401,, "CYLINDER ASSY, BUCKET",1,,1,,,,,,,,,,,,,
2,2,,172137-72431,, "PISTON 60G",1,,1,,,,,,,,,,,,,
3,2,,24761-040000,, "NIPPLE B, GREASE",1,,1,,,,,,,,,,,,,
4,2,,733121-28401,, "TUBE W/BUSH, BUCKET",1,,1,,,,,,,,,,,,,
6,3,,933125-05400,, "BUSH 30X40, PIN",1,,1,,,,,,,,,,,,,
6A,2,,172149-99380,, "CYLINDER KIT, BUCKET",1,,1,,W,,MXXX,,MXXX,,,
7,3,,172137-72452,, "SEAL SET 60A, PISTON",1,,1,,,,,,,,,,,,,
10,3,,172141-71900,, "SEAL SET, HEAD",1,,1,,,,,,,,,,,,,
15,3,,933125-59600,, "WASHER 60 B, LOCK",1,,1,,,,,,,,,,,,,
16,3,,172141-73090,, "RING 50, SPRING",1,,1,,,,,,,,,,,,,
17,2,,933722-28300,, "ROD ASSY",1,,1,,,,,,,,,,,,,
19,3,,933125-05500,, "BUSH 30X40 B, PIN",1,,1,,,,,,,,,,,,,
20,2,,172141-72580,, "NUT M20",1,,1,,,,,,,,,,,,,
21,2,,172141-72540,, "HEAD 6035, CYLINDER",1,,1,,,,,,,,,,,,,
22,3,,933111-01600,, "BUSH 35 30, ROD",1,,1,,,,,,,,,,,,,

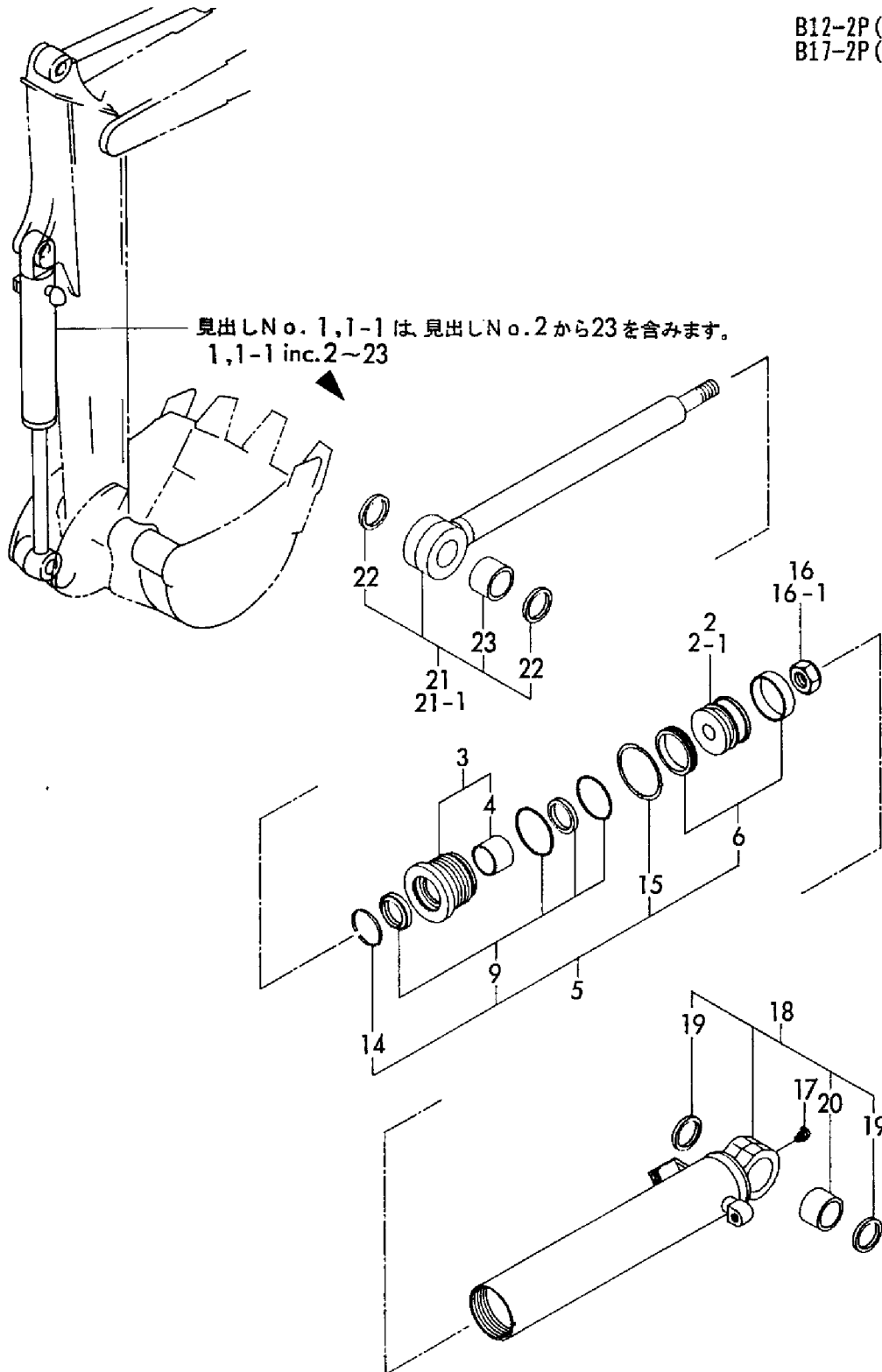
Fig. **31** バケットシリンダ (B12/17 (-1))
 BUCKET CYLINDER (B12/17 (-1))



1,1,,933120-28402,, "CYLINDER, BUCKET",,1,,1,1,,,,,,,,,,,,,
1-1,1,,933120-28403,, "CYLINDER
ASSY,BUCKET",,1,,1,1,,N,,,,,M20730,,,,M20521,,M20521
2,2,,172137-72431,, "PISTON 60G",,1,,1,1,,,,,,,,,,,,,
2-1,2,,172171-72120,, "PISTON",,1,,1,1,,S,,,,,M20730,,,,M20521,,M20521
3,2,,172141-72540,, "HEAD 6035, CYLINDER",,1,,1,1,,,,,,,,,,,,,
4,3,,933111-01600,, "BUSH 35 30, ROD",,1,,1,1,,,,,,,,,,,,,
5,2,,172149-99380,, "CYLINDER KIT, BUCKET",,1,,1,1,,,,,,,,,,,,,
6,3,,172137-72452,, "SEAL SET 60A, PISTON",,1,,1,1,,,,,,,,,,,,,
9,3,,172141-71900,, "SEAL SET, HEAD",,1,,1,1,,,,,,,,,,,,,
14,3,,172141-73090,, "RING 50, SPRING",,1,,1,1,,,,,,,,,,,,,
15,3,,933125-59600,, "WASHER 60 B, LOCK",,1,,1,1,,,,,,,,,,,,,
16,2,,172141-72580,, "NUT M20",,1,,1,1,,,,,,,,,,,,,
16-1,2,,172171-72130,, "U-NUT M24",,1,,1,1,,S,,,,,M20730,,,,M20521,,M20521
17,2,,24761-040000,, "NIPPLE B,GREASE",,1,,1,1,,,,,,,,,,,,,
18,2,,933121-28402,, "TUBE ASSY, BUCKET",,1,,1,1,,,,,,,,,,,,,
19,3,,172183-72290,, "SEAL 38X48X 4, DUST",,2,,2,2,,,,,,,,,,,,,
20,3,,172149-72440,, "BUSH A 30X30,PIN",,1,,1,1,,,,,,,,,,,,,
21,2,,933122-28301,, "ROD COMP.,BUCKET",,1,,1,1,,,,,,,,,,,,,
21-1,2,,933122-28302,, "ROD COMP.,BUCKET",,1,,1,1,,S,,,,,M20730,,,,M20521,,M20521
22,3,,172183-72290,, "SEAL 38X48X 4, DUST",,2,,2,2,,,,,,,,,,,,,
23,3,,172149-72680,, "BUSH B 30X30,PIN",,1,,1,1,,,,,,,,,,,,,

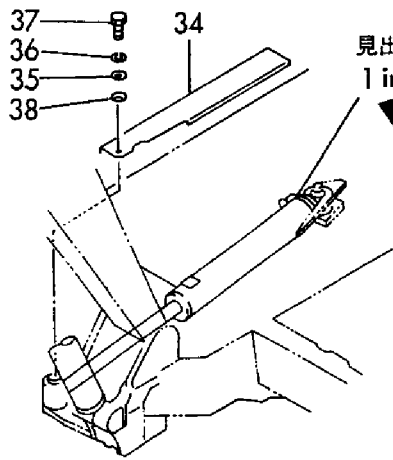
Fig. **32** バケットシリンダ (B12/17-2)
 BUCKET CYLINDER (B12/17-2)

B12-2P (R)
 B17-2P (R)



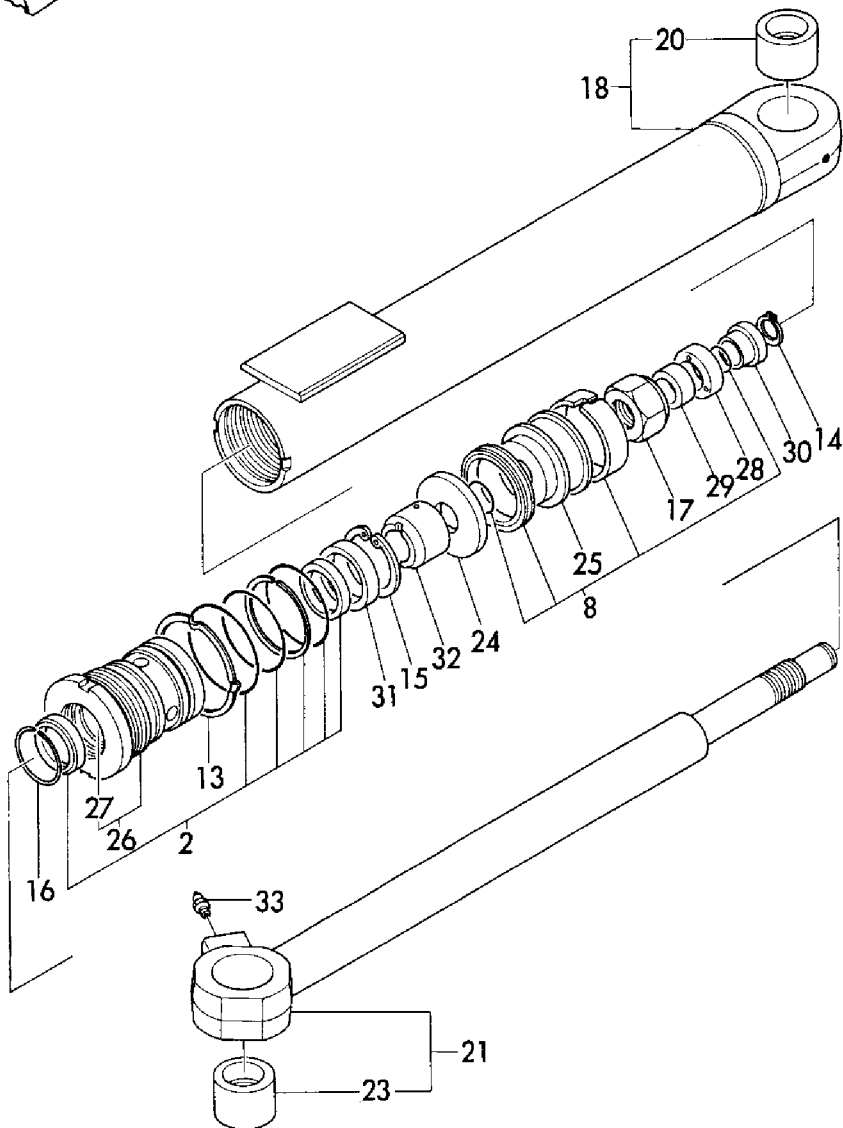
1,1,,172149-72450,, "CYLINDER ASSY, SWING",1,,1,,,,,,,,,,,,,
2,2,,172149-72020,, "SEAL SET, HEAD",1,,1,,,,,,,,,,,,,
2-1,2,,172149-72021,, "SEAL SET, HEAD",1,,1,,,,,N,,,,M01568,,,,,M01122,,,,,
8,2,,172149-72000,, "SEAL SET, PISTON",1,,1,,,,,,,,,,,,,
13,2,,172141-72420,, "WASHER 70, LOCK",1,,1,,,,,,,,,,,,,
14,2,,172142-72810,, "CIRCLIP 22",1,,1,,,,,,,,,,,,,
15,2,,22252-000561,, "CIRCLIP 56",1,,1,,,,,,,,,,,,,
16,2,,933111-26600,, "RING 55, SPRING",1,,1,,,,,,,,,,,,,
17,2,,172141-72250,, "U-NUT M27",1,,1,,,,,,,,,,,,,
18,2,,772149-72460,, "TUBE W/BUSH, SWING",1,,1,,,,,,,,,,,,,
20,3,,933125-12701,, "BUSH 38 50A",1,,1,,,,,,,,,,,,,
21,2,,772149-72510,, "ROD W/BUSH, SWING",1,,1,,,,,,,,,,,,,
23,3,,933125-12701,, "BUSH 38 50A",1,,1,,,,,,,,,,,,,
24,2,,172149-72530,, "GLAND",1,,1,,,,,,,,,,,,,
25,3,,172137-72542,, "PISTON 70",1,,1,,,,,,,,,,,,,
26,2,,172149-72540,, "HEAD 7040",1,,1,,,,,,,,,,,,,
27,3,,933135-14600,, "BUSH 40 30, ROD",1,,1,,,,,,,,,,,,,
28,2,,172137-72700,, "RING 40A, CUSHION",1,,1,,,,,,,,,,,,,
29,2,,172137-72710,, "COLLAR 40B, CUSHION",1,,1,,,,,,,,,,,,,
30,2,,172137-72720,, "COLLAR 40A, CUSHION",1,,1,,,,,,,,,,,,,
31,2,,172137-72730,, "RING 44B, CUSHION",1,,1,,,,,,,,,,,,,
32,2,,172137-72740,, "CUSHION PLUNGER 44 A",1,,1,,,,,,,,,,,,,
33,2,,24761-020000,, "NIPPLE PT1/8,GREASE",1,,1,,,,,,,,,,,,,
34,1,,172149-72570,, "COVER, SWING",1,,1,,,,,,,,,,,,,
35,1,,22157-100000,, "WASHER 10",1,,1,,,,,,,,,,,,,
36,1,,22217-100000,, "SPRING WASHER 10",1,,1,,,,,,,,,,,,,
37,1,,26116-100162,, "BOLT M10X 16 PLATED",1,,1,,,,,,,,,,,,,
38,1,,933168-14170,, "SPRING 16",1,,1,,,,,,,,,,,,,

Fig. **33** スイングシリンダ (B12/17 (-1))
 SWING CYLINDER (B12/17 (-1))



見出しNo. 1 は、見出しNo. 2 から33を含みます。
 1 inc. 2-33

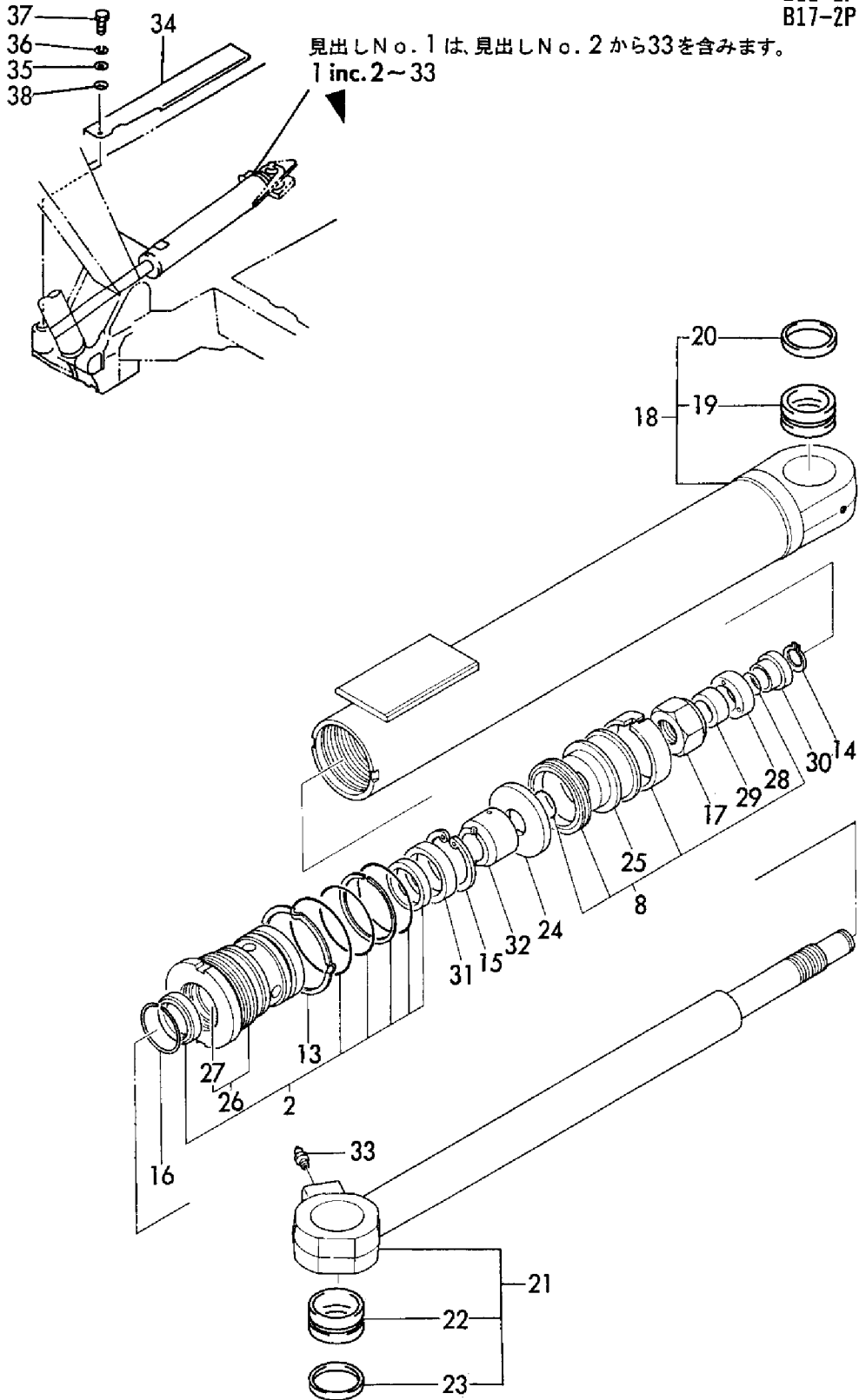
B12P (R)
 B12-1P (R)
 B17P (R)
 B17-1P (R)



1,1,,172149-72451,, "CYLINDER ASSY, SWING",,1,,1,1,,,,,,,,,,,,,
2,2,,172149-72021,, "SEAL SET, HEAD",,1,,1,1,,,,,,,,,,,,,
8,2,,172149-72000,, "SEAL SET, PISTON",,1,,1,1,,,,,,,,,,,,,
13,2,,172141-72420,, "WASHER 70, LOCK",,1,,1,1,,,,,,,,,,,,,
14,2,,172142-72810,, "CIRCLIP 22",,1,,1,1,,,,,,,,,,,,,
15,2,,22252-000561,, "CIRCLIP 56",,1,,1,1,,,,,,,,,,,,,
16,2,,933111-26600,, "RING 55, SPRING",,1,,1,1,,,,,,,,,,,,,
17,2,,172141-72250,, "U-NUT M27",,1,,1,1,,,,,,,,,,,,,
18,2,,172149-72461,, "TUBE ASSY, SWING",,1,,1,1,,,,,,,,,,,,,
19,3,,172168-72240,, "BUSH 38X50X40",,1,,1,1,,,,,,,,,,,,,
20,3,,172168-81270,, "SEAL,DUST 38X50X4",,2,,2,2,,,,,,,,,,,,,
21,2,,172149-72511,, "ROD ASSY, SWING",,1,,1,1,,,,,,,,,,,,,
22,3,,172168-72240,, "BUSH 38X50X40",,1,,1,1,,,,,,,,,,,,,
23,3,,172168-81270,, "SEAL,DUST 38X50X4",,2,,2,2,,,,,,,,,,,,,
24,2,,172149-72530,, "GLAND",,1,,1,1,,,,,,,,,,,,,
25,2,,172137-72542,, "PISTON 70",,1,,1,1,,,,,,,,,,,,,
26,2,,172149-72540,, "HEAD 7040",,1,,1,1,,,,,,,,,,,,,
27,3,,933135-14600,, "BUSH 40 30, ROD",,1,,1,1,,,,,,,,,,,,,
28,2,,172137-72700,, "RING 40A, CUSHION",,1,,1,1,,,,,,,,,,,,,
29,2,,172137-72710,, "COLLAR 40B, CUSHION",,1,,1,1,,,,,,,,,,,,,
30,2,,172137-72720,, "COLLAR 40A, CUSHION",,1,,1,1,,,,,,,,,,,,,
31,2,,172137-72730,, "RING 44B, CUSHION",,1,,1,1,,,,,,,,,,,,,
32,2,,172137-72740,, "CUSHION PLUNGER 44 A",,1,,1,1,,,,,,,,,,,,,
33,2,,24761-020000,, "NIPPLE PT1/8,GREASE",,1,,1,1,,,,,,,,,,,,,
34,1,,172149-72570-3,, "COVER, SWING",,1,,1,1,,,,,,,,,,,,,
35,1,,22157-100000,, "WASHER 10",,1,,1,1,,,,,,,,,,,,,
36,1,,22217-100000,, "SPRING WASHER 10",,1,,1,1,,,,,,,,,,,,,
37,1,,26116-100162,, "BOLT M10X 16 PLATED",,1,,1,1,,,,,,,,,,,,,
38,1,,933168-14170,, "SPRING 16",,1,,1,1,,,,,,,,,,,,,

Fig. 34 スイングシリンダ (B12/17-2)
 SWING CYLINDER (B12/17-2)

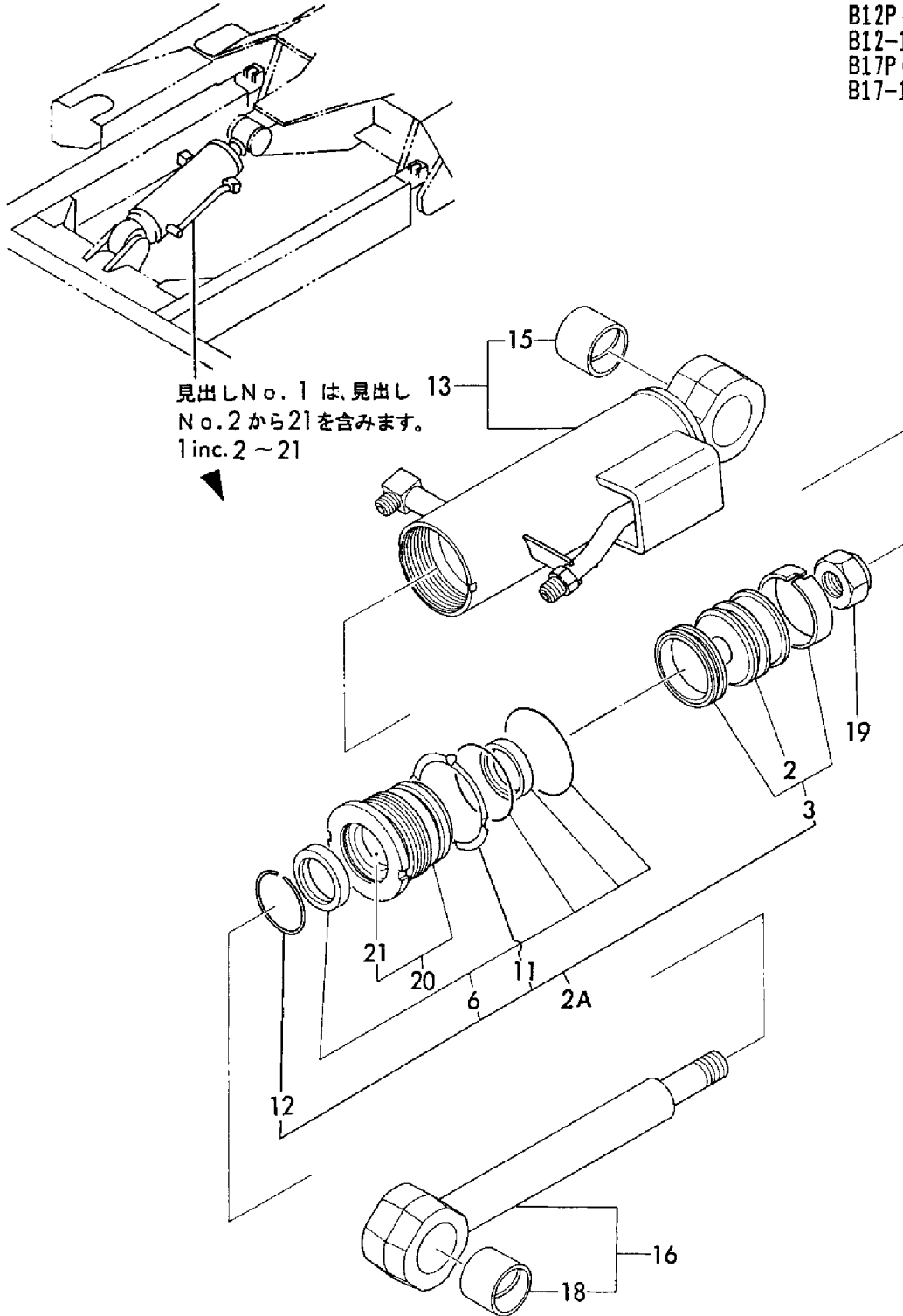
B12-2P (R)
 B17-2P (R)



1,1,,933120-28501,, "CYLINDER ASSY, BLADE",1,,1,,,,,,,,,,,,,
2,2,,172137-72431,, "PISTON 60G",1,,1,,,,,,,,,,,,,
2A,2,,172149-99380,, "CYLINDER KIT, BUCKET",1,,1,,,,,W,,,,MXXX,,,,,MXXX,,,,,
3,3,,172137-72452,, "SEAL SET 60A, PISTON",1,,1,,,,,,,,,,,,,
6,3,,172141-71900,, "SEAL SET, HEAD",1,,1,,,,,,,,,,,,,
11,3,,933125-59600,, "WASHER 60 B, LOCK",1,,1,,,,,,,,,,,,,
12,3,,172141-73090,, "RING 50, SPRING",1,,1,,,,,,,,,,,,,
13,2,,733121-28501,, "TUBE W/BUSH, BLADE",1,,1,,,,,,,,,,,,,
15,3,,933125-05500,, "BUSH 30X40 B, PIN",1,,1,,,,,,,,,,,,,
16,2,,733122-28400,, "ROD W/BUSH, BLADE",1,,1,,,,,,,,,,,,,
18,3,,933125-05500,, "BUSH 30X40 B, PIN",1,,1,,,,,,,,,,,,,
19,2,,172141-72580,, "NUT M20",1,,1,,,,,,,,,,,,,
20,2,,172141-72540,, "HEAD 6035, CYLINDER",1,,1,,,,,,,,,,,,,
21,3,,933111-01600,, "BUSH 35 30, ROD",1,,1,,,,,,,,,,,,,

Fig. **35** ブレードシリンダ (B12/17 (-1))
 BLADE CYLINDER (B12/17 (-1))

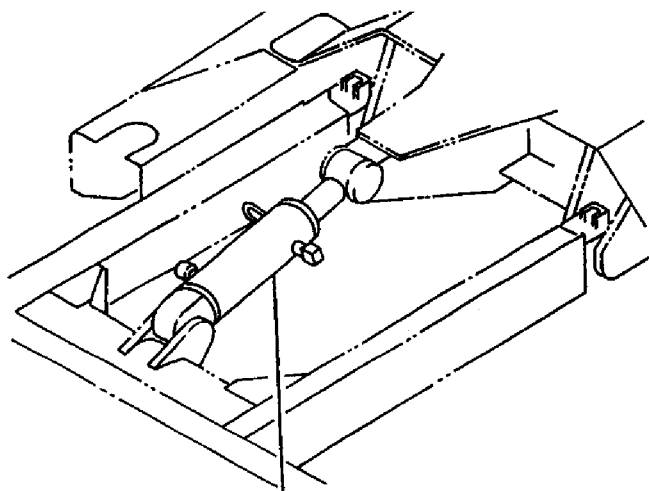
B12P (R)
 B12-1P (R)
 B17P (R)
 B17-1P (R)



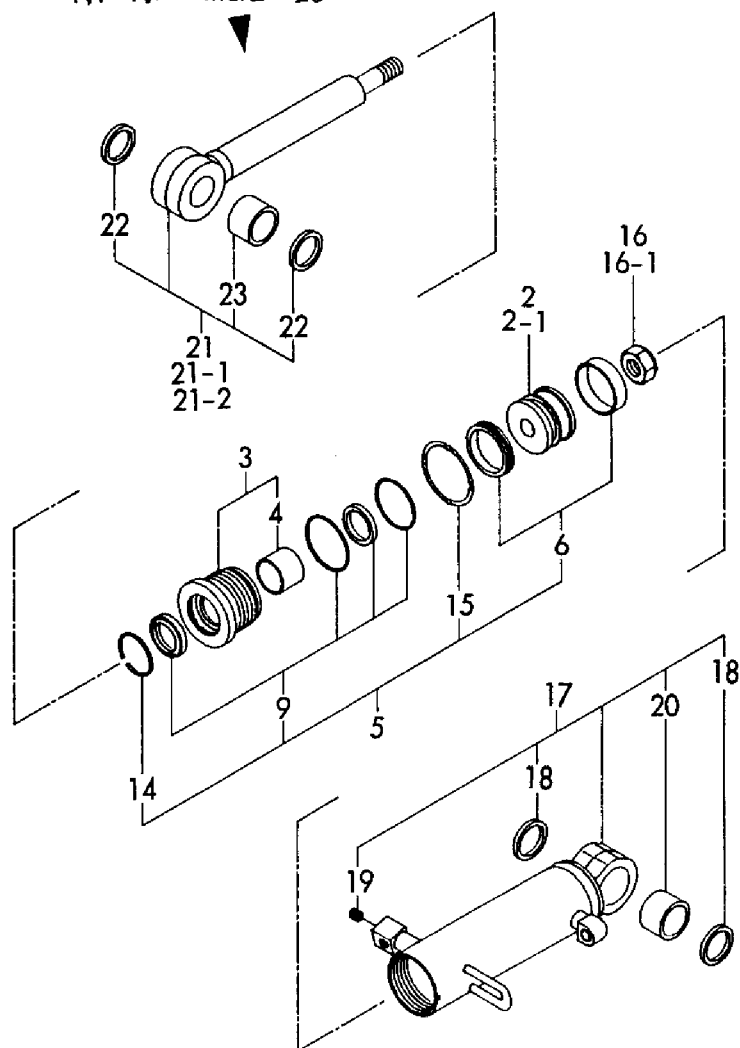
1,1,,933120-28502,, "CYLINDER, BLADE",,1,,1,1,,,,,,,,,,,,,
1-1,1,,933120-28503,, "CYLINDER, BLADE",,1,,1,1,N,,,,,M20730,,,,,M20521,,M20521
1-2,1,,933120-28504,, "CYLINDER ASSY,
BLADE",,1,,1,1,N,,,,,M20803,,,,,M20546,,M20546
2,2,,172137-72431,, "PISTON 60G",,1,,1,1,,,,,,,,,,,,,
2-1,2,,172171-72120,, "PISTON",,1,,1,1,S,,,,,M20730,,,,,M20521,,M20521
3,2,,172141-72540,, "HEAD 6035, CYLINDER",,1,,1,1,,,,,,,,,,,,,
4,3,,933111-01600,, "BUSH 35 30, ROD",,1,,1,1,,,,,,,,,,,,,
5,2,,172149-99380,, "CYLINDER KIT, BUCKET",,1,,1,1,,,,,,,,,,,,,
6,3,,172137-72452,, "SEAL SET 60A, PISTON",,1,,1,1,,,,,,,,,,,,,
9,3,,172141-71900,, "SEAL SET, HEAD",,1,,1,1,,,,,,,,,,,,,
14,3,,172141-73090,, "RING 50, SPRING",,1,,1,1,,,,,,,,,,,,,
15,3,,933125-59600,, "WASHER 60 B, LOCK",,1,,1,1,,,,,,,,,,,,,
16,2,,172141-72580,, "NUT M20",,1,,1,1,,,,,,,,,,,,,
16-1,2,,172171-72130,, "U-NUT M24",,1,,1,1,S,,,,,M20730,,,,,M20521,,M20521
17,2,,933121-28502,, "TUBE ASSY, BLADE",,1,,1,1,,,,,,,,,,,,,
18,3,,172183-72290,, "SEAL 38X48X 4, DUST",,2,,2,2,,,,,,,,,,,,,
19,3,,23871-010000,, "PLUG PT1/8, SCREW",,1,,1,1,,,,,,,,,,,,,
20,3,,172149-72680,, "BUSH B 30X30, PIN",,1,,1,1,,,,,,,,,,,,,
21,2,,933122-28401,, "ROD COMP., BLADE",,1,,1,1,,,,,,,,,,,,,
21-1,2,,933122-28402,, "ROD COMP., BLADE",,1,,1,1,S,,,,,M20730,,,,,M20521,,M20521
21-2,2,,933122-28403,, "ROD COMP., BLADE",,1,,1,1,N,,,,,M20803,,,,,M20546,,M20546
22,3,,172183-72290,, "SEAL 38X48X 4, DUST",,2,,2,2,,,,,,,,,,,,,
23,3,,172149-72680,, "BUSH B 30X30, PIN",,1,,1,1,,,,,,,,,,,,,

Fig. **36** ブレードシリンダ (B12/17-2)
 BLADE CYLINDER (B12/17-2)

B12-2P (R)
 B17-2P (R)

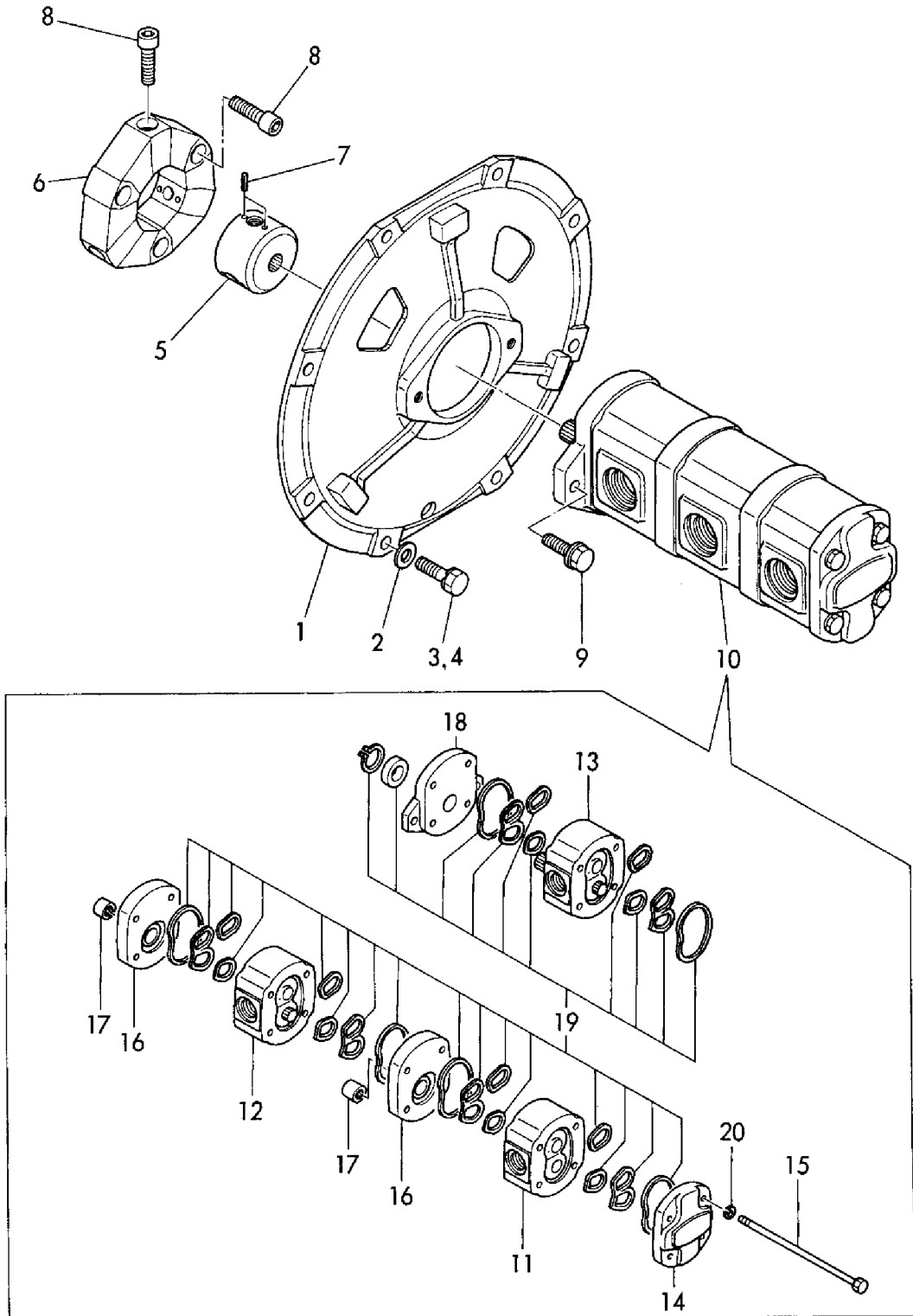


見出しNo. 1, 1-1, 1-2 は、見出しNo. 2 から 23 を含みます。
 1, 1-1, 1-2 inc. 2~23



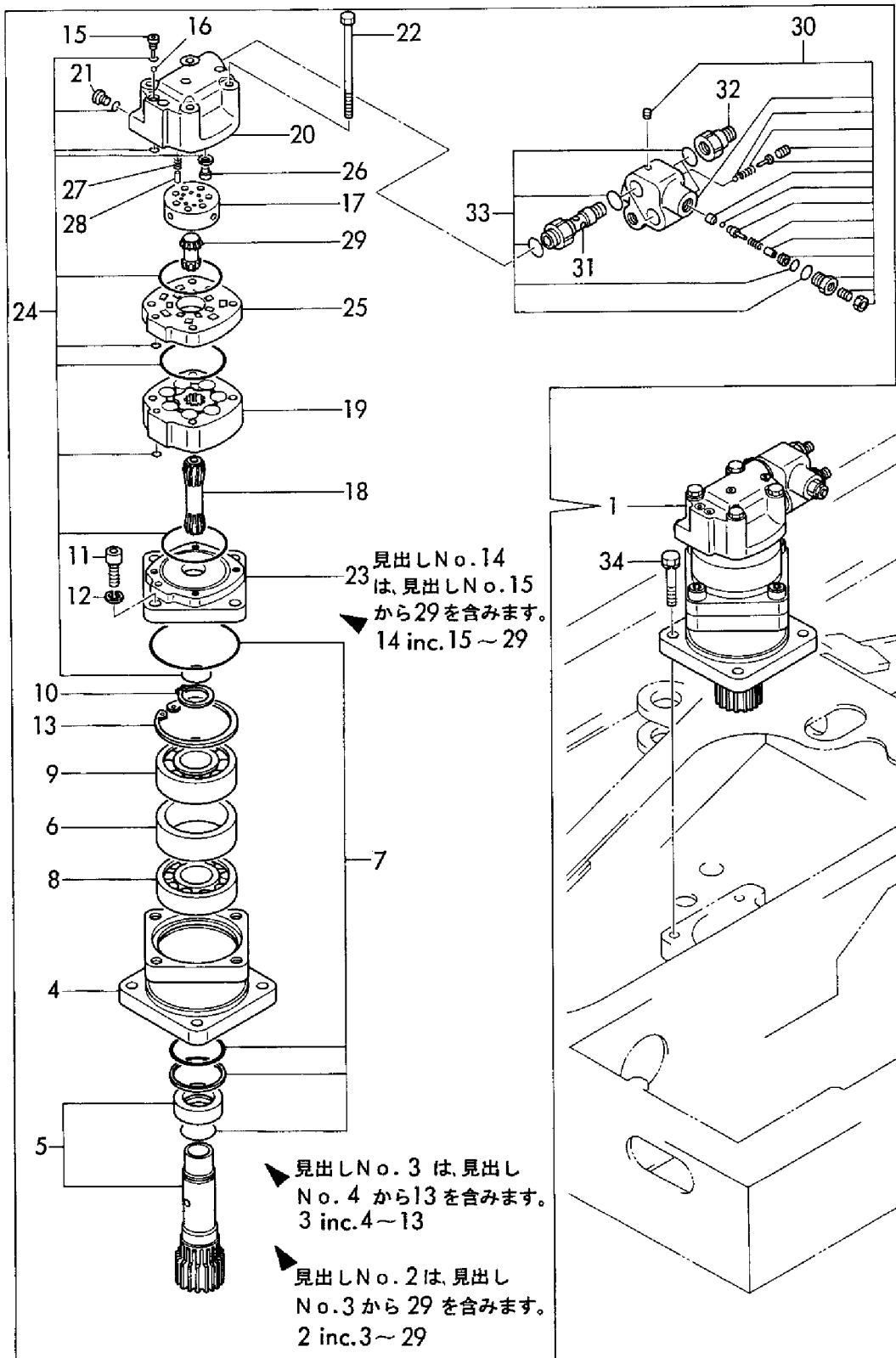
1,1,,172149-71110,, "MOUNT, PUMP",1,1,1,1,1,,,,,,,,,,,,,
2,1,,22137-100000,, "WASHER 10,POLISHED",2,2,2,2,2,,,,,,,,,,,,,
3,1,,26013-100302,, "BOLT M10X 30",4,4,4,4,4,,,,,,,,,,,,,
4,1,,26013-100352,, "BOLT M10X 35",2,2,2,2,2,,,,,,,,,,,,,
5,1,,172137-71210,, "JOINT, PUMP",1,1,1,1,1,,,,,,,,,,,,,
6,1,,172137-71220,, "COUPLING",1,1,1,1,1,,,,,,,,,,,,,
7,1,,22351-040008,, "SPRING PIN 4X 8",6,6,6,6,6,,,,,,,,,,,,,
8,1,,26450-100352,, "BOLT M10X 35",6,6,6,6,6,,,,,,,,,,,,,
9,1,,172122-71130,, "BOLT M10X 30",2,2,2,2,2,,,,,,,,,,,,,
10,1,,172149-73110,, "PUMP ASSY, HYD. OIL",1,1,1,1,1,,,,,,,,,,,,,
11,2,,172149-73120,, "REAR KIT",1,1,1,1,1,,,,,,,,,,,,,
12,2,,172137-73130,, "PUMP ASSY, CENTER",1,1,1,1,1,,,,,,,,,,,,,
13,2,,172149-73130,, "FRONT KIT",1,1,1,1,1,,,,,,,,,,,,,
14,2,,172122-73140,, "COVER",1,1,1,1,1,,,,,,,,,,,,,
15,2,,172149-73140,, "BOLT",4,4,4,4,4,,,,,,,,,,,,,
16,2,,172122-73150,, "PLATE, CENTER",2,2,2,2,2,,,,,,,,,,,,,
17,2,,172122-73170,, "COUPLING, SPLINE",2,2,2,2,2,,,,,,,,,,,,,
18,2,,172137-73170,, "MOUNTING FLANGE",1,1,1,1,1,,,,,,,,,,,,,
19,2,,172122-73200,, "SEAL SET",1,1,1,1,1,,,,,,,,,,,,,
20,2,,22217-100000,, "SPRING WASHER 10",4,4,4,4,4,,,,,,,,,,,,,

Fig. 37 油圧ポンプ&軸継手
HYD. OIL PUMP & JOINT



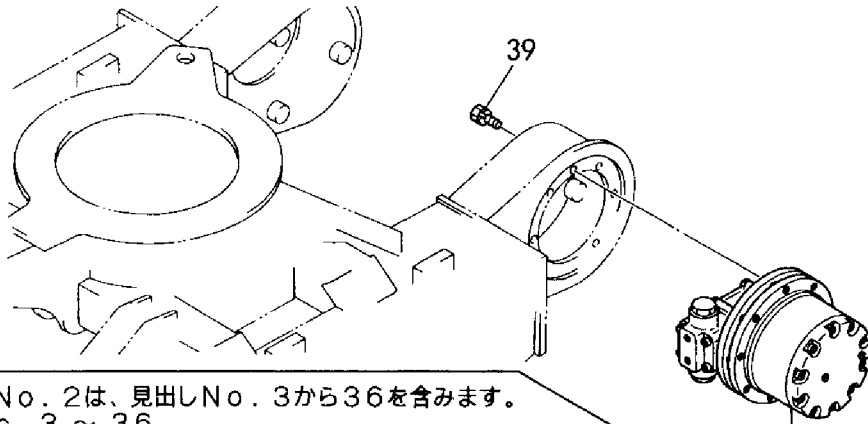
1,1,,172149-73310,, "MOTOR ASSY, TURNING",1,1,1,1,1,,,,,,,,,,,,,
2,2,,172149-73320,, "MOTOR ASSY, TURNING",1,1,1,1,1,,,,,,,,,,,,,
3,3,,172149-73440,, "PINION(SUB) ASSY",1,1,1,1,1,,,,,,,,,,,,,
4,4,,172149-73330,, "HOUSING, BEARING",1,1,1,1,1,,,,,,,,,,,,,
5,4,,172149-73340,, "SHAFT ASSY, PINION",1,1,1,1,1,,,,,,,,,,,,,
6,4,,172149-73350,, "SPACER, BEARING",1,1,1,1,1,,,,,,,,,,,,,
7,4,,172149-73460,, "SEAL KIT, PINION(SUB",1,1,1,1,1,,,,,,,,,,,,,
8,4,,172141-77030,, "BEARING, ROLLER",1,1,1,1,1,,,,,,,,,,,,,
9,4,,172141-77040,, "BEARING",1,1,1,1,1,,,,,,,,,,,,,
10,4,,172141-77050,, "RING, RETAINING",1,1,1,1,1,,,,,,,,,,,,,
11,4,,172141-77110,, "BOLT",4,4,4,4,4,,,,,,,,,,,,,
12,4,,22217-120000,, "WASHER 12, SPRING",4,4,4,4,4,,,,,,,,,,,,,
13,4,,22252-000900,, "CIRCLIP 90",1,1,1,1,1,,,,,,,,,,,,,
14,3,,172149-73450,, "MOTOR(SUB) ASSY",1,1,1,1,1,,,,,,,,,,,,,
15,4,,172137-70520,, "PLUG",2,2,2,2,2,,,,,,,,,,,,,
16,4,,172137-70530,, "BALL",2,2,2,2,2,,,,,,,,,,,,,
17,4,,172137-70600,, "VALVE",1,1,1,1,1,,,,,,,,,,,,,
18,4,,172148-73360,, "DRIVE",1,1,1,1,1,,,,,,,,,,,,,
19,4,,172149-73360,, "ROLLER",1,1,1,1,1,,,,,,,,,,,,,
20,4,,172149-73380,, "HOUSING, VALVE",1,1,1,1,1,,,,,,,,,,,,,
21,4,,172149-73390,, "PLUG",1,1,1,1,1,,,,,,,,,,,,,
22,4,,172149-73400,, "BOLT",4,4,4,4,4,,,,,,,,,,,,,
23,4,,172149-73410,, "FLANGEMOUTING",1,1,1,1,1,,,,,,,,,,,,,
24,4,,172149-73470,, "SEAL KIT, MOTOR(SUB",1,1,1,1,1,,,,,,,,,,,,,
25,4,,172141-77160,, "PLATE, VALVE",1,1,1,1,1,,,,,,,,,,,,,
26,4,,172137-77190,, "PLATE",1,1,1,1,1,,,,,,,,,,,,,
27,4,,172137-77200,, "SPRING",2,2,2,2,2,,,,,,,,,,,,,
28,4,,172137-77220,, "TUBE, 3RD",1,1,1,1,1,,,,,,,,,,,,,
29,4,,172148-77260,, "DRIVE, VALVE",1,1,1,1,1,,,,,,,,,,,,,
30,2,,172149-73500,, "VALVE, BRAKE",1,1,1,1,1,,,,,,,,,,,,,
31,3,,172149-73620,, "CONNECTOR",2,2,2,2,2,,,,,,,,,,,,,
32,3,,172149-73630,, "BUSHING",2,2,2,2,2,,,,,,,,,,,,,
33,3,,172149-73650,, "SEAL KIT, BRAKE",1,1,1,1,1,,,,,,,,,,,,,
34,1,,26013-120402,, "BOLT M12X 40",4,4,4,4,4,,,,,,,,,,,,,

Fig. 38 旋回モータ
TURNING MOTOR

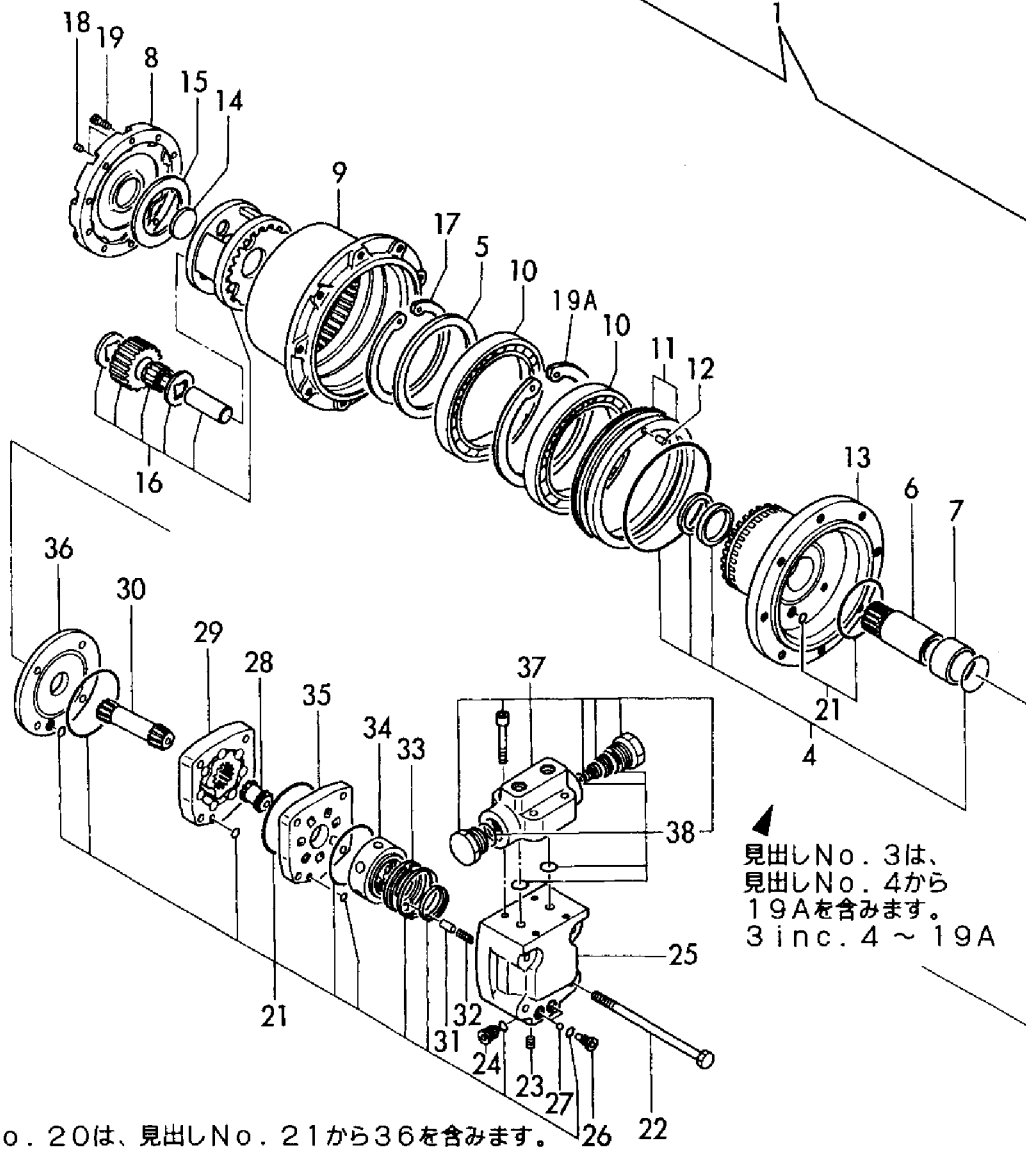


1,1,,172137-73351,, "MOTOR ASSY, DRIVE",2,2,2,2,2,,,,,,,,,,,,,
2,2,,172137-73361,, "MOTOR ASSY",2,2,2,2,2,,,,,,,,,,,,,
3,3,,172137-70631,, "REDUCTION GEAR ASSY",2,2,2,2,2,,,,,,,,,,,,,
4,4,,172137-70461,, "SEAL KIT, REDUCTION",2,2,2,2,2,,,,,,,,,,,,,
5,4,,172137-70471,, SPACER,2,2,2,2,2,,,,,,,,,,,,,
6,4,,172137-70651,, "GEAR, SUN",2,2,2,2,2,,,,,,,,,,,,,
7,4,,172137-70661,, BUSH,2,2,2,2,2,,,,,,,,,,,,,
8,4,,172137-70681,, COVER,2,2,2,2,2,,,,,,,,,,,,,
9,4,,172137-70741,, HOUSING,2,2,2,2,2,,,,,,,,,,,,,
10,4,,172137-70770,, "BEARING, DRIVE MOTOR",4,4,4,4,4,,,,,,,,,,,,,
11,4,,172137-70781,, "SEAL W/PLATE KIT",2,2,2,2,2,,,,,,,,,,,,,
12,4,,172137-70791,, PIN,2,2,2,2,2,,,,,,,,,,,,,
13,4,,172137-70811,, FLANGE,2,2,2,2,2,,,,,,,,,,,,,
14,4,,172137-70820,, WASHER,2,2,2,2,2,,,,,,,,,,,,,
15,4,,172137-70830,, WASHER,2,2,2,2,2,,,,,,,,,,,,,
16,4,,172137-70840,, "CARRIER KIT",2,2,2,2,2,,,,,,,,,,,,,
17,4,,22242-001100,, "CIRCLIP 110",2,2,2,2,2,,,,,,,,,,,,,
18,4,,23871-030000,, "PLUG PT3/8, SCREW",4,4,4,4,4,,,,,,,,,,,,,
19,4,,26450-060162,, "BOLT M 6X 16",18,18,18,18,18,,,,,,,,,,,,,
19A,4,,172137-70800,, "CIRCLIP 140",2,2,2,2,2,W,,,"FROM 1ST",,"FROM 1ST",,"FROM 1ST",
20,3,,172137-70641,, "MOTOR SUB ASSY",2,2,2,2,2,,,,,,,,,,,,,
21,4,,172137-70451,, "SEAL KIT, MOTOR",2,2,2,2,2,,,,,,,,,,,,,
22,4,,172137-70480,, BOLT,8,8,8,8,8,,,,,,,,,,,,,
23,4,,172137-70490,, PLUG,2,2,2,2,2,,,,,,,,,,,,,
24,4,,172137-70500,, PLUG,2,2,2,2,2,,,,,,,,,,,,,
25,4,,172137-70510,, "HOUSING, VALVE",2,2,2,2,2,,,,,,,,,,,,,
26,4,,172137-70520,, PLUG,4,4,4,4,4,,,,,,,,,,,,,
27,4,,172137-70530,, BALL,4,4,4,4,4,,,,,,,,,,,,,
28,4,,172137-70540,, "DRIVE, VALVE",2,2,2,2,2,,,,,,,,,,,,,
29,4,,172137-70551,, ROLLER,2,2,2,2,2,,,,,,,,,,,,,
30,4,,172137-70561,, DRIVE,2,2,2,2,2,,,,,,,,,,,,,
31,4,,172137-70570,, PIN,4,4,4,4,4,,,,,,,,,,,,,
32,4,,172137-70580,, SPRING,4,4,4,4,4,,,,,,,,,,,,,
33,4,,172137-70590,, PLATE,2,2,2,2,2,,,,,,,,,,,,,
34,4,,172137-70600,, VALVE,2,2,2,2,2,,,,,,,,,,,,,
35,4,,172137-70610,, "PLATE, VALVE",2,2,2,2,2,,,,,,,,,,,,,
36,4,,172137-70620,, "PLATE, SPACER",2,2,2,2,2,,,,,,,,,,,,,
37,2,,172137-73370,, "VALVE,COUNTER BALAN.",2,2,2,2,2,,,,,,,,,,,,,
38,3,,172137-70850,, "SEAL SET",2,2,2,2,2,,,,,,,,,,,,,
39,1,,26013-100252,, "BOLT W/WASHER M10X25",16,16,16,16,16,,,,,,,,,,,,,

Fig. 39 走行モータ
 TRAVEL MOTOR



見出しNo. 2は、見出しNo. 3から36を含みます。
 2 inc. 3 ~ 36

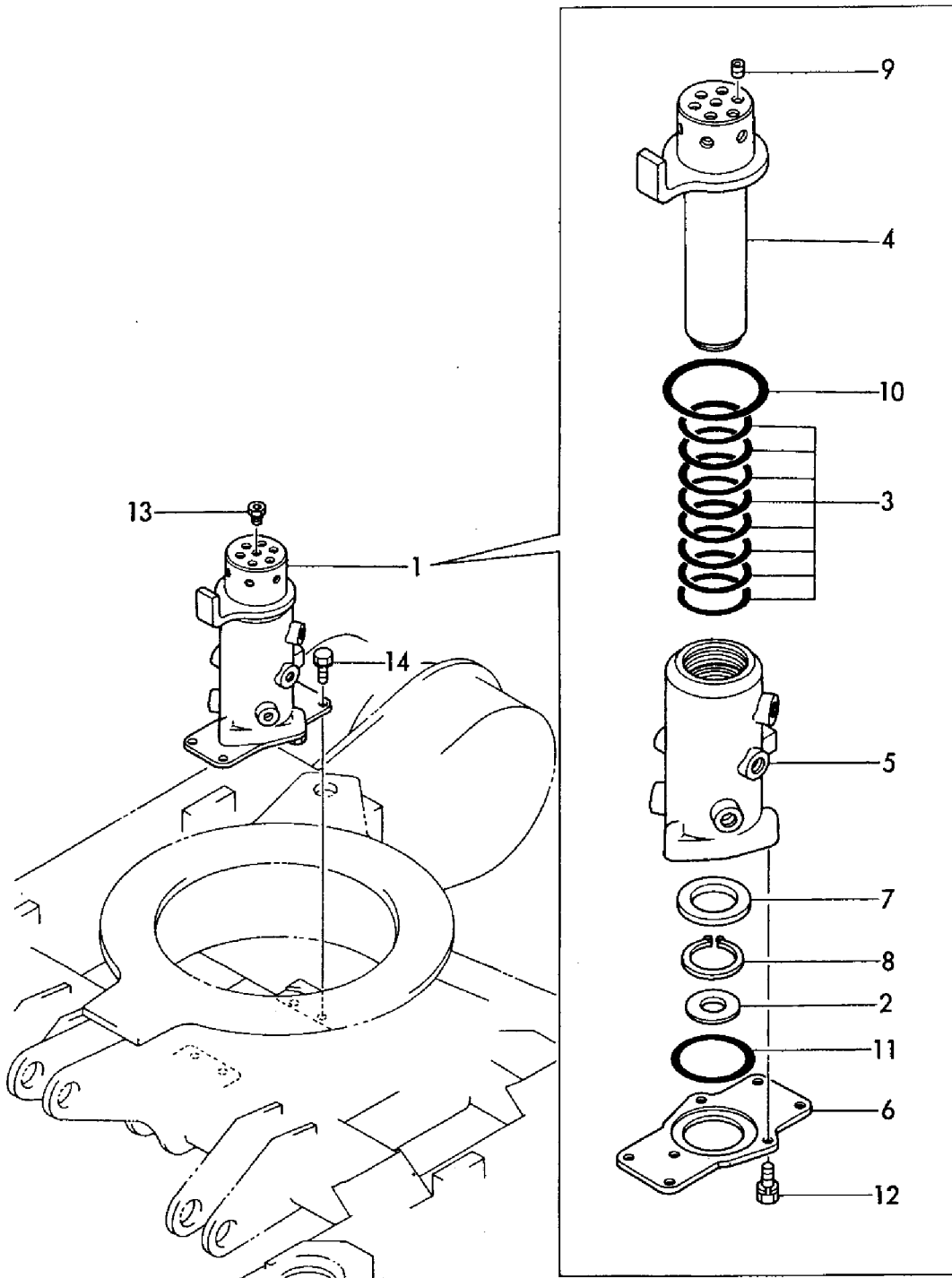


見出しNo. 3は、
 見出しNo. 4から
 19Aを含みます。
 3 inc. 4 ~ 19A

見出しNo. 20は、見出しNo. 21から36を含みます。
 20 inc. 21 ~ 36

1,1,,172131-73800,, "SWIVEL JOINT ASSY",1,1,1,1,1,,,,,,,,,,,,,
2,2,,194630-31910,, "LINER 22.5X40X2",1,1,1,1,1,,,,,,,,,,,,,
3,2,,172142-73800,, "O-RING 55.76X5.7",8,8,8,8,8,,,,,,,,,,,,,
4,2,,172131-73810,, "SHAFT, SWIVEL",1,1,1,1,1,,,,,,,,,,,,,
5,2,,172137-73810,, "HUB, SWIVEL JOINT",1,1,1,1,1,,,,,,,,,,,,,
6,2,,172131-73830,, "FLANGE, SWIVEL",1,1,1,1,1,,,,,,,,,,,,,
7,2,,172137-73860,, "SPACER, SWIVEL",1,1,1,1,1,,,,,,,,,,,,,
8,2,,22242-000451,, "CIRCLIP 45",1,1,1,1,1,,,,,,,,,,,,,
9,2,,23871-020000,, "PLUG PT1/4, SCREW",6,6,6,6,6,,,,,,,,,,,,,
10,2,,24311-000750,, "O-RING 1A P-75.0",1,1,1,1,1,,,,,,,,,,,,,
11,2,,24321-000700,, "O-RING 1A G-70.0",1,1,1,1,1,,,,,,,,,,,,,
12,2,,26013-100252,, "BOLT W/WASHER M10X25",3,3,3,3,3,,,,,,,,,,,,,
13,1,,172149-76100,, BUSH,1,,1,,,,,,,,,,,,,
13-1,1,,172137-76230,, BUSING,1,1,1,1,1,,N,,,M10501,,,,M10501,,,,,
14,1,,26013-100252,, "BOLT W/WASHER M10X25",4,4,4,4,4,,,,,,,,,,,,,

Fig. 40 スイベルジョイント
SWIVEL JOINT

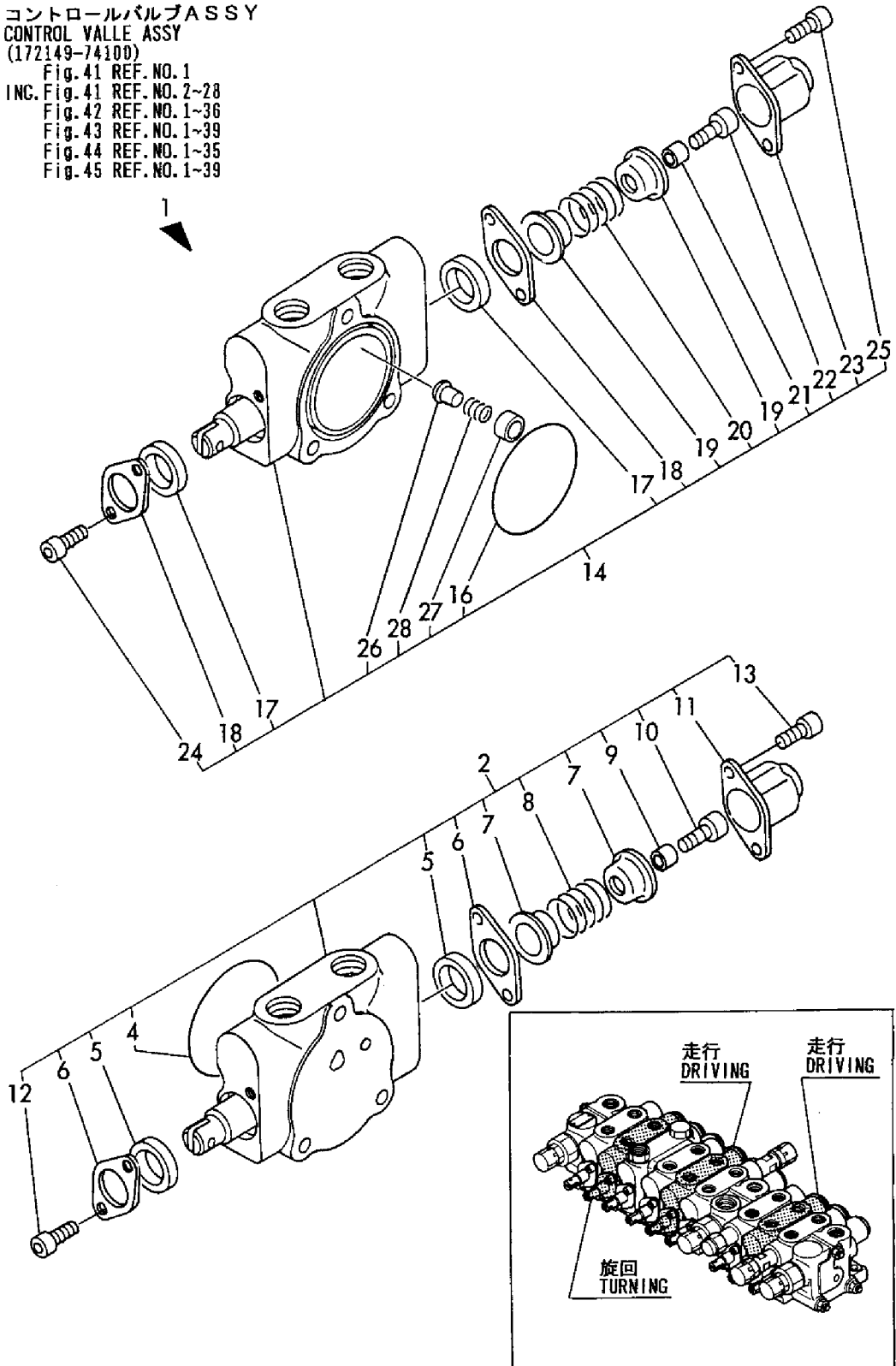


1,1,,172149-74100,, "VALVE ASSY, CONTROL",1,1,1,1,1,,,,1,,,,,,,,,
2,2,,172149-74150,, "SECTION ASSY, DRIVE",2,2,2,2,2,,,,,,,,,
4,3,,24325-000550,, "O-RING 1B G-55.0",2,2,2,2,2,,,,,,,,,
5,3,,172137-74440,, "SEAL, OIL",4,4,4,4,4,,,,,,,,,
6,3,,172137-74450,, "PLATE,SEAL",4,4,4,4,4,,,,,,,,,
7,3,,172137-74460,, "SEAT, SPRING",4,4,4,4,4,,,,,,,,,
8,3,,172137-74420,, "SPRING (A), RETURN",2,2,2,2,2,,,,,,,,,
9,3,,172137-74470,, "SPACER",2,2,2,2,2,,,,,,,,,
10,3,,172137-74480,, "BOLT, SPOOL",2,2,2,2,2,,,,,,,,,
11,3,,172137-74490,, "CAP",2,2,2,2,2,,,,,,,,,
12,3,,172137-74500,, "BOLT, PLATE",4,4,4,4,4,,,,,,,,,
13,3,,172137-74510,, "BOLT, CAP",4,4,4,4,4,,,,,,,,,
14,2,,172149-74360,, "SECTION ASY, TURNING",1,1,1,1,1,,,,,,,,,
16,3,,24325-000550,, "O-RING 1B G-55.0",1,1,1,1,1,,,,,,,,,
17,3,,172137-74440,, "SEAL, OIL",2,2,2,2,2,,,,,,,,,
18,3,,172137-74450,, "PLATE,SEAL",2,2,2,2,2,,,,,,,,,
19,3,,172137-74460,, "SEAT, SPRING",2,2,2,2,2,,,,,,,,,
20,3,,172137-74420,, "SPRING (A), RETURN",1,1,1,1,1,,,,,,,,,
21,3,,172137-74470,, "SPACER",1,1,1,1,1,,,,,,,,,
22,3,,172137-74480,, "BOLT, SPOOL",1,1,1,1,1,,,,,,,,,
23,3,,172137-74490,, "CAP",1,1,1,1,1,,,,,,,,,
24,3,,172137-74500,, "BOLT, PLATE",2,2,2,2,2,,,,,,,,,
25,3,,172137-74510,, "BOLT, CAP",2,2,2,2,2,,,,,,,,,
26,3,,172137-74520,, "VALVE, CHECK",1,1,1,1,1,,,,,,,,,
27,3,,172137-74530,, "GUIDE, VALVE",1,1,1,1,1,,,,,,,,,
28,3,,172137-74540,, "SPRING, VALVE",1,1,1,1,1,,,,,,,,,

Fig. 41 コントロールバルブ (走行, 旋回)
CONTROL VALVE (TRAVEL, TURNING)

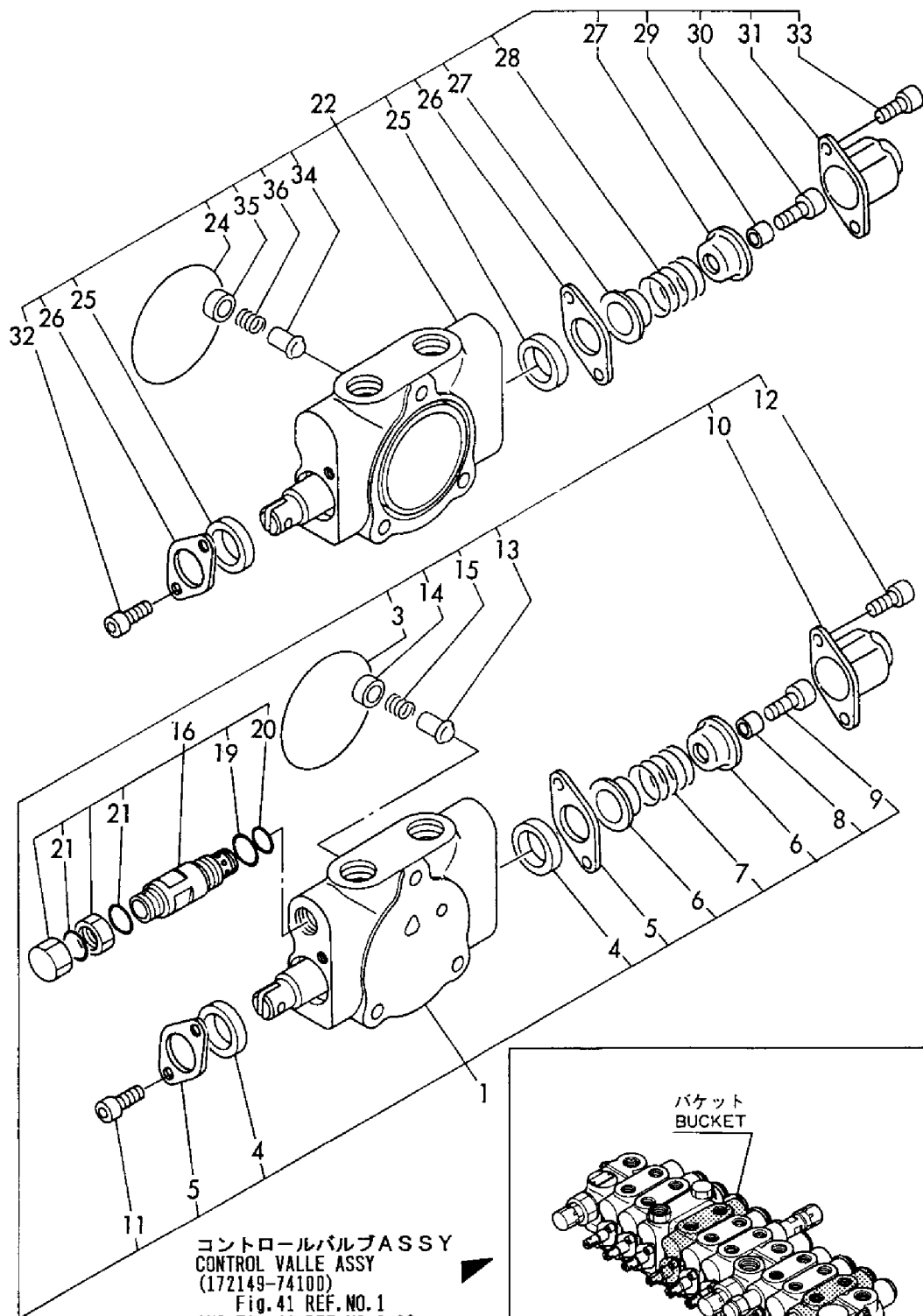
コントロールバルブ ASSY
CONTROL VALVE ASSY
(172149-74100)

Fig. 41 REF. NO. 1
INC. Fig. 41 REF. NO. 2~28
Fig. 42 REF. NO. 1~36
Fig. 43 REF. NO. 1~39
Fig. 44 REF. NO. 1~35
Fig. 45 REF. NO. 1~39



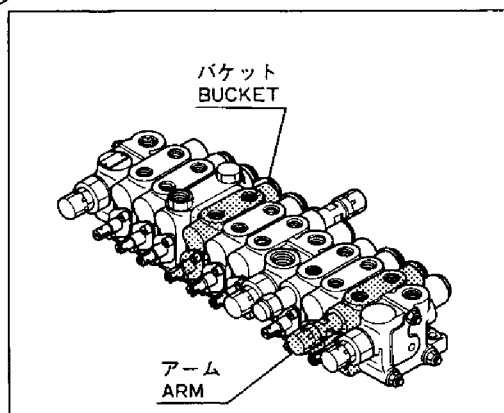
1,2,,172149-74130,, "SECTION ASSY, ARM",1,1,1,1,1,,,,,,,,,,,,,
3,3,,24325-000500,, "O-RING 1B G-50.0",1,,1,,,,,M,,,,,,,,,,,,,
3-1,3,,24325-000550,, "O-RING 1B G-55.0",1,1,1,1,1,,,,,,,,,,,,,
4,3,,172137-74440,, "SEAL, OIL",2,2,2,2,2,,,,,,,,,,,,,
5,3,,172137-74450,, "PLATE,SEAL",2,2,2,2,2,,,,,,,,,,,,,
6,3,,172137-74460,, "SEAT, SPRING",2,2,2,2,2,,,,,,,,,,,,,
7,3,,172137-74420,, "SPRING (A), RETURN",1,1,1,1,1,,,,,,,,,,,,,
8,3,,172137-74470,, "SPACER",1,1,1,1,1,,,,,,,,,,,,,
9,3,,172137-74480,, "BOLT, SPOOL",1,1,1,1,1,,,,,,,,,,,,,
10,3,,172137-74490,, "CAP",1,1,1,1,1,,,,,,,,,,,,,
11,3,,172137-74500,, "BOLT, PLATE",2,2,2,2,2,,,,,,,,,,,,,
12,3,,172137-74510,, "BOLT, CAP",2,2,2,2,2,,,,,,,,,,,,,
13,3,,172137-74520,, "VALVE, CHECK",1,1,1,1,1,,,,,,,,,,,,,
14,3,,172137-74530,, "GUIDE, VALVE",1,1,1,1,1,,,,,,,,,,,,,
15,3,,172137-74540,, "SPRING, VALVE",1,1,1,1,1,,,,,,,,,,,,,
16,2,,172137-74600,, "VALVE ASSY,OVER ROAD",1,1,1,1,1,,,,,,,,,,,,,
19,3,,24315-000150,, "O-RING 1B P-15.0",1,1,1,1,1,,,,,,,,,,,,,
20,3,,172137-74640,, "O-RING 1B S 12.5",1,1,1,1,1,,,,,,,,,,,,,
21,3,,24341-000160,, "O-RING 1A S-16.0",2,,2,,,,,M,,,,,,,,,,,,,
21-1,3,,24314-000160,, "O-RING 4C P-16.0",2,2,2,2,2,,,,,,,,,,,,,
22,2,,172149-74270,, "SECTION ASSY, BUCKET",1,1,1,1,1,,,,,,,,,,,,,
24,3,,24325-000500,, "O-RING 1B G-50.0",1,,1,,,,,M,,,,,,,,,,,,,
24-1,3,,24325-000550,, "O-RING 1B G-55.0",1,1,1,1,1,,,,,,,,,,,,,
25,3,,172137-74440,, "SEAL, OIL",2,2,2,2,2,,,,,,,,,,,,,
26,3,,172137-74450,, "PLATE,SEAL",2,2,2,2,2,,,,,,,,,,,,,
27,3,,172137-74460,, "SEAT, SPRING",2,2,2,2,2,,,,,,,,,,,,,
28,3,,172137-74430,, "SPRING (B), RETURN",1,1,1,1,1,,M,,,,,,,,,,,,,
28-1,3,,172137-74420,, "SPRING (A), RETURN",1,1,1,1,1,,,,,,,,,,,,,
29,3,,172137-74470,, "SPACER",1,1,1,1,1,,,,,,,,,,,,,
30,3,,172137-74480,, "BOLT, SPOOL",1,1,1,1,1,,,,,,,,,,,,,
31,3,,172137-74490,, "CAP",1,1,1,1,1,,,,,,,,,,,,,
32,3,,172137-74500,, "BOLT, PLATE",2,2,2,2,2,,,,,,,,,,,,,
33,3,,172137-74510,, "BOLT, CAP",2,2,2,2,2,,,,,,,,,,,,,
34,3,,172137-74520,, "VALVE, CHECK",1,1,1,1,1,,,,,,,,,,,,,
35,3,,172137-74530,, "GUIDE, VALVE",1,1,1,1,1,,,,,,,,,,,,,
36,3,,172137-74540,, "SPRING, VALVE",1,1,1,1,1,,,,,,,,,,,,,

Fig. 42 コントロールバルブ (アーム, バケット)
CONTROL VALVE (ARM, BUCKET)



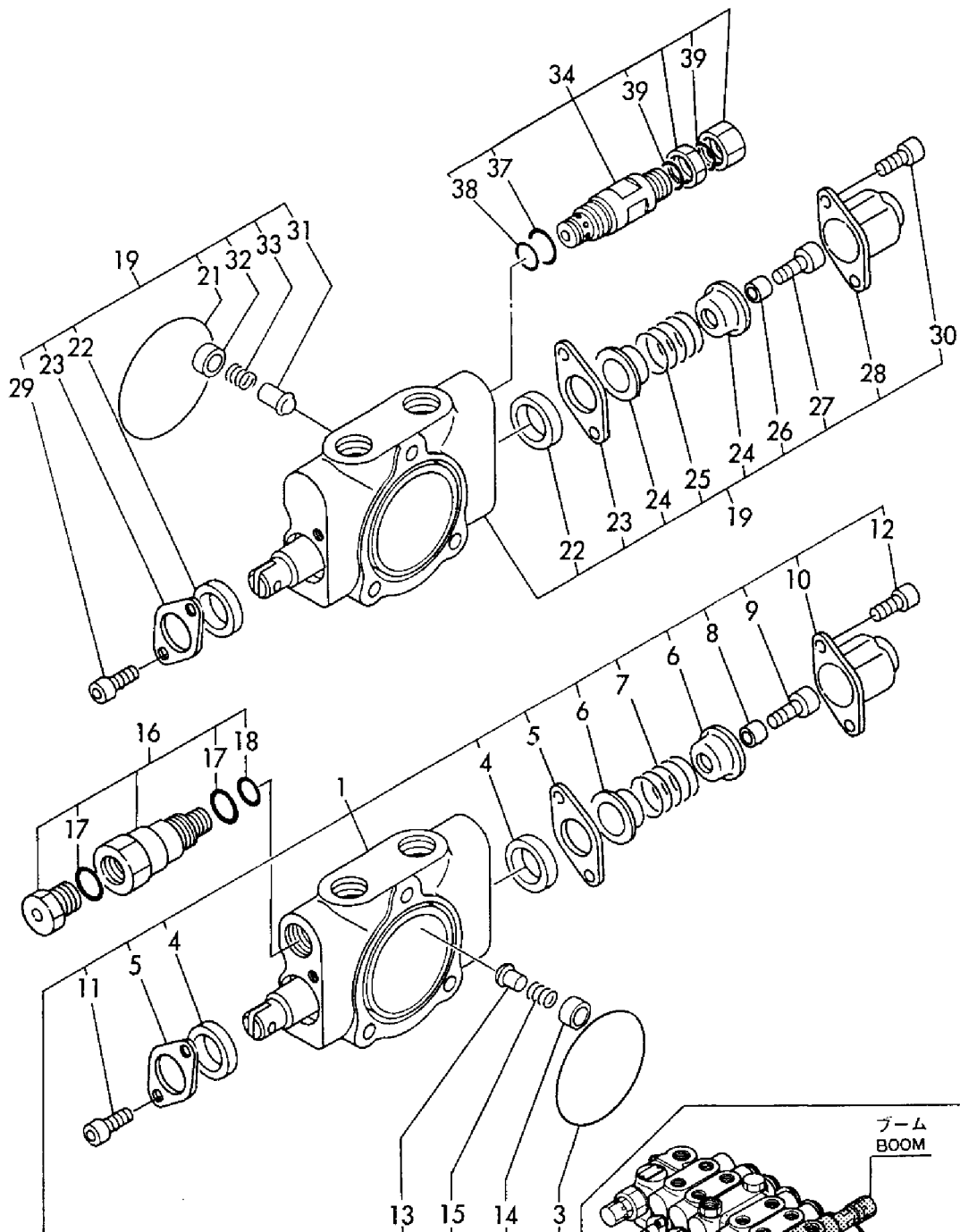
コントロールバルブ ASSY
CONTROL VALVE ASSY
(172149-74100)

- Fig. 41 REF. NO. 1
- INC. Fig. 41 REF. NO. 2~28
- Fig. 42 REF. NO. 1~36
- Fig. 43 REF. NO. 1~39
- Fig. 44 REF. NO. 1~35
- Fig. 45 REF. NO. 1~39



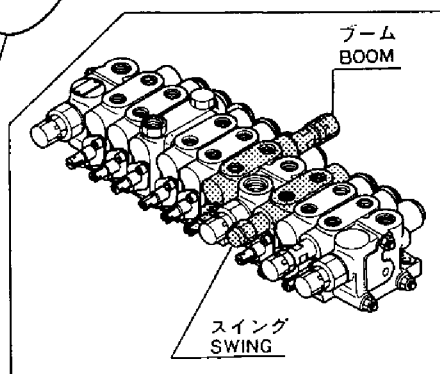
1,2,,172149-74200,, "SECTION ASSY, SEING",1,1,1,1,1,,,,,,,,,,,,,
3,3,,24325-000550,, "O-RING 1B G-55.0",1,1,1,1,1,,,,,,,,,,,,,
4,3,,172137-74440,, "SEAL, OIL",2,2,2,2,2,,,,,,,,,,,,,
5,3,,172137-74450,, "PLATE,SEAL",2,2,2,2,2,,,,,,,,,,,,,
6,3,,172137-74460,, "SEAT, SPRING",2,2,2,2,2,,,,,,,,,,,,,
7,3,,172137-74420,, "SPRING (A), RETURN",1,1,1,1,1,,,,,,,,,,,,,
8,3,,172137-74470,, "SPACER",1,1,1,1,1,,,,,,,,,,,,,
9,3,,172137-74480,, "BOLT, SPOOL",1,1,1,1,1,,,,,,,,,,,,,
10,3,,172137-74490,, "CAP",1,1,1,1,1,,,,,,,,,,,,,
11,3,,172137-74500,, "BOLT, PLATE",2,2,2,2,2,,,,,,,,,,,,,
12,3,,172137-74510,, "BOLT, CAP",2,2,2,2,2,,,,,,,,,,,,,
13,3,,172137-74520,, "VALVE, CHECK",1,1,1,1,1,,,,,,,,,,,,,
14,3,,172137-74530,, "GUIDE, VALVE",1,1,1,1,1,,,,,,,,,,,,,
15,3,,172137-74540,, "SPRING, VALVE",1,1,1,1,1,,,,,,,,,,,,,
16,2,,172137-74630,, "VALVE ASSY, SUCTION",1,1,1,1,1,,,,,,,,,,,,,
17,3,,24315-000150,, "O-RING 1B P-15.0",2,2,2,2,2,,,,,,,,,,,,,
18,3,,172137-74640,, "O-RING 1B S 12.5",1,1,1,1,1,,,,,,,,,,,,,
19,2,,172149-74250,, "SECTION ASSY, BOOM",1,1,1,1,1,,,,,,,,,,,,,
21,3,,24325-000500,, "O-RING 1B G-50.0",1,,1,,,,,M,,,,,,,,,,,,,
21-1,3,,24325-000550,, "O-RING 1B G-55.0",1,1,1,1,1,,,,,,,,,,,,,
22,3,,172137-74440,, "SEAL, OIL",2,2,2,2,2,,,,,,,,,,,,,
23,3,,172137-74450,, "PLATE,SEAL",2,2,2,2,2,,,,,,,,,,,,,
24,3,,172137-74460,, "SEAT, SPRING",2,2,2,2,2,,,,,,,,,,,,,
25,3,,172137-74420,, "SPRING (A), RETURN",1,1,1,1,1,,,,,,,,,,,,,
26,3,,172137-74470,, "SPACER",1,1,1,1,1,,,,,,,,,,,,,
27,3,,172137-74480,, "BOLT, SPOOL",1,1,1,1,1,,,,,,,,,,,,,
28,3,,172137-74490,, "CAP",1,1,1,1,1,,,,,,,,,,,,,
29,3,,172137-74500,, "BOLT, PLATE",2,2,2,2,2,,,,,,,,,,,,,
30,3,,172137-74510,, "BOLT, CAP",2,2,2,2,2,,,,,,,,,,,,,
31,3,,172137-74520,, "VALVE, CHECK",1,1,1,1,1,,,,,,,,,,,,,
32,3,,172137-74530,, "GUIDE, VALVE",1,1,1,1,1,,,,,,,,,,,,,
33,3,,172137-74540,, "SPRING, VALVE",1,1,1,1,1,,,,,,,,,,,,,
34,2,,172137-74600,, "VALVE ASSY,OVER ROAD",1,1,1,1,1,,,,,,,,,,,,,
37,3,,24315-000150,, "O-RING 1B P-15.0",1,1,1,1,1,,,,,,,,,,,,,
38,3,,172137-74640,, "O-RING 1B S 12.5",1,1,1,1,1,,,,,,,,,,,,,
39,3,,24341-000160,, "O-RING 1A S-16.0",2,,2,,,,,M,,,,,,,,,,,,,
39-1,3,,24314-000160,, "O-RING 4C P-16.0",2,2,2,2,2,,,,,,,,,,,,,

Fig. 43 コントロールバルブ (スイング, ブーム)
CONTROL VALVE (SWING, BOOM)



コントロールバルブASSY
CONTROL VALVE ASSY
(172149-74108)

- Fig. 41 REF. NO. 1
- INC. Fig. 41 REF. NO. 2~28
- Fig. 42 REF. NO. 1~36
- Fig. 43 REF. NO. 1~39
- Fig. 44 REF. NO. 1~35
- Fig. 45 REF. NO. 1~39

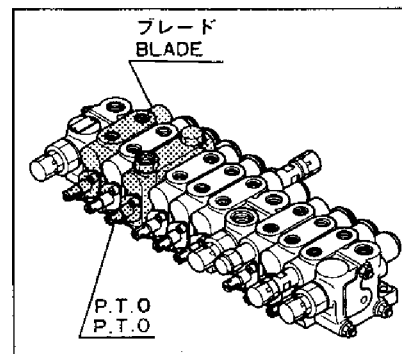
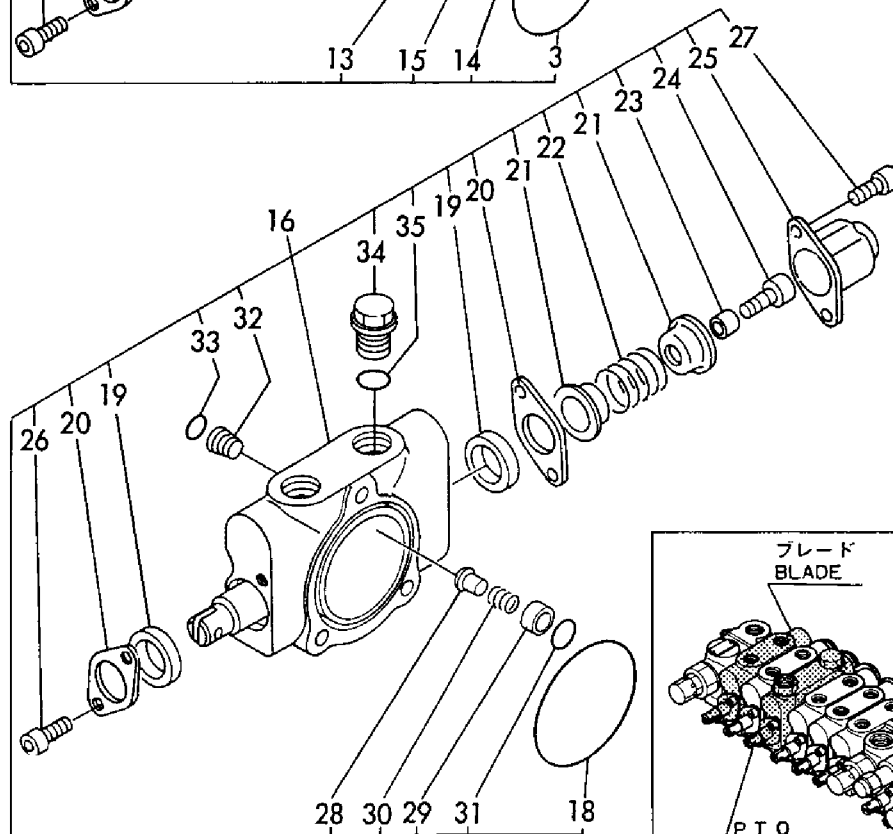
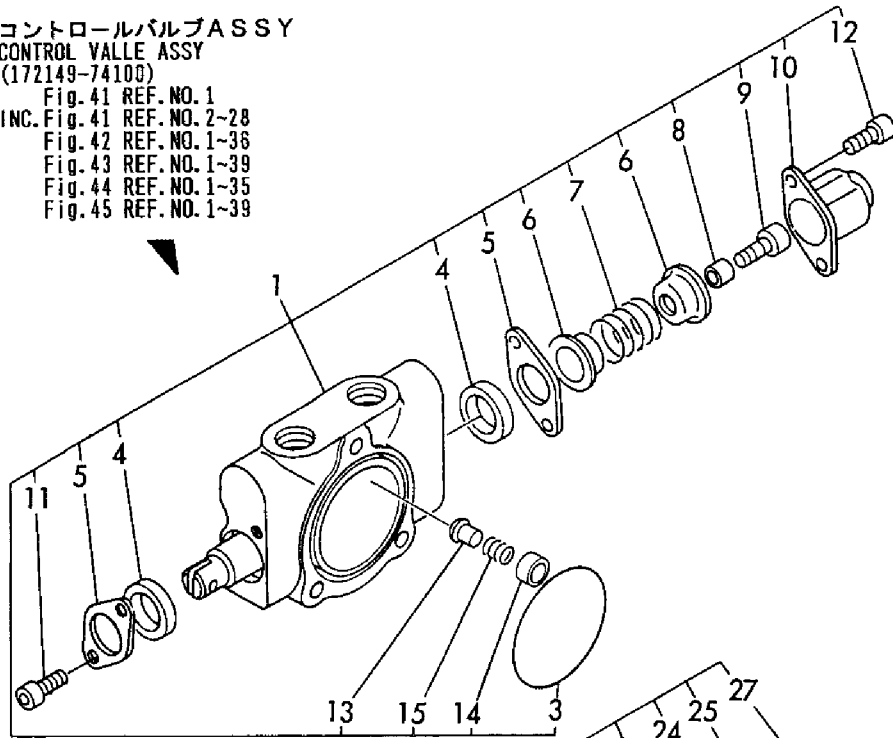


1,2,,172149-74380,, "SECTION ASSY, BLADE",1,1,1,1,1,,,,,,,,,,,,,
3,3,,24325-000550,, "O-RING 1B G-55.0",1,1,1,1,1,,,,,,,,,,,,,
4,3,,172137-74440,, "SEAL, OIL",2,2,2,2,2,,,,,,,,,,,,,
5,3,,172137-74450,, "PLATE, SEAL",2,2,2,2,2,,,,,,,,,,,,,
6,3,,172137-74460,, "SEAT, SPRING",2,2,2,2,2,,,,,,,,,,,,,
7,3,,172137-74420,, "SPRING (A), RETURN",1,1,1,1,1,,,,,,,,,,,,,
8,3,,172137-74470,, "SPACER",1,1,1,1,1,,,,,,,,,,,,,
9,3,,172137-74480,, "BOLT, SPOOL",1,1,1,1,1,,,,,,,,,,,,,
10,3,,172137-74490,, "CAP",1,1,1,1,1,,,,,,,,,,,,,
11,3,,172137-74500,, "BOLT, PLATE",2,2,2,2,2,,,,,,,,,,,,,
12,3,,172137-74510,, "BOLT, CAP",2,2,2,2,2,,,,,,,,,,,,,
13,3,,172137-74520,, "VALVE, CHECK",1,1,1,1,1,,,,,,,,,,,,,
14,3,,172137-74530,, "GUIDE, VALVE",1,1,1,1,1,,,,,,,,,,,,,
15,3,,172137-74540,, "SPRING, VALVE",1,1,1,1,1,,,,,,,,,,,,,
16,2,,172149-74320,, "SECTION ASSY, P.T.O",1,1,1,1,1,,,,,,,,,,,,,
18,3,,24325-000550,, "O-RING 1B G-55.0",1,1,1,1,1,,,,,,,,,,,,,
19,3,,172137-74440,, "SEAL, OIL",2,2,2,2,2,,,,,,,,,,,,,
20,3,,172137-74450,, "PLATE, SEAL",2,2,2,2,2,,,,,,,,,,,,,
21,3,,172137-74460,, "SEAT, SPRING",2,2,2,2,2,,,,,,,,,,,,,
22,3,,172137-74420,, "SPRING (A), RETURN",1,1,1,1,1,,,,,,,,,,,,,
23,3,,172137-74470,, "SPACER",1,1,1,1,1,,,,,,,,,,,,,
24,3,,172137-74480,, "BOLT, SPOOL",1,1,1,1,1,,,,,,,,,,,,,
25,3,,172137-74490,, "CAP",1,1,1,1,1,,,,,,,,,,,,,
26,3,,172137-74500,, "BOLT, PLATE",2,2,2,2,2,,,,,,,,,,,,,
27,3,,172137-74510,, "BOLT, CAP",2,2,2,2,2,,,,,,,,,,,,,
28,3,,172137-74520,, "VALVE, CHECK",1,1,1,1,1,,,,,,,,,,,,,
29,3,,172131-74060,, "GUIDE, CHECK VALVE",1,1,1,1,1,,,,,,,,,,,,,
30,3,,172137-74540,, "SPRING, VALVE",1,1,1,1,1,,,,,,,,,,,,,
31,3,,172131-74080,, "O-RING 1B S9",1,1,1,1,1,,,,,,,,,,,,,
32,3,,172149-74340,, "PLUG",1,1,1,1,1,,,,,,,,,,,,,
33,3,,24315-000070,, "O-RING 1B P-7.0",1,1,1,1,1,,,,,,,,,,,,,
34,3,,172137-74270,, "PLUG",2,2,2,2,2,,,,,,,,,,,,,
35,3,,24315-000140,, "O-RING 1B P-14.0",2,2,2,2,2,,,,,,,,,,,,,

Fig. 44 コントロールバルブ (ブレード, P. T. O.)
CONTROL VALVE (BLADE, P. T. O.)

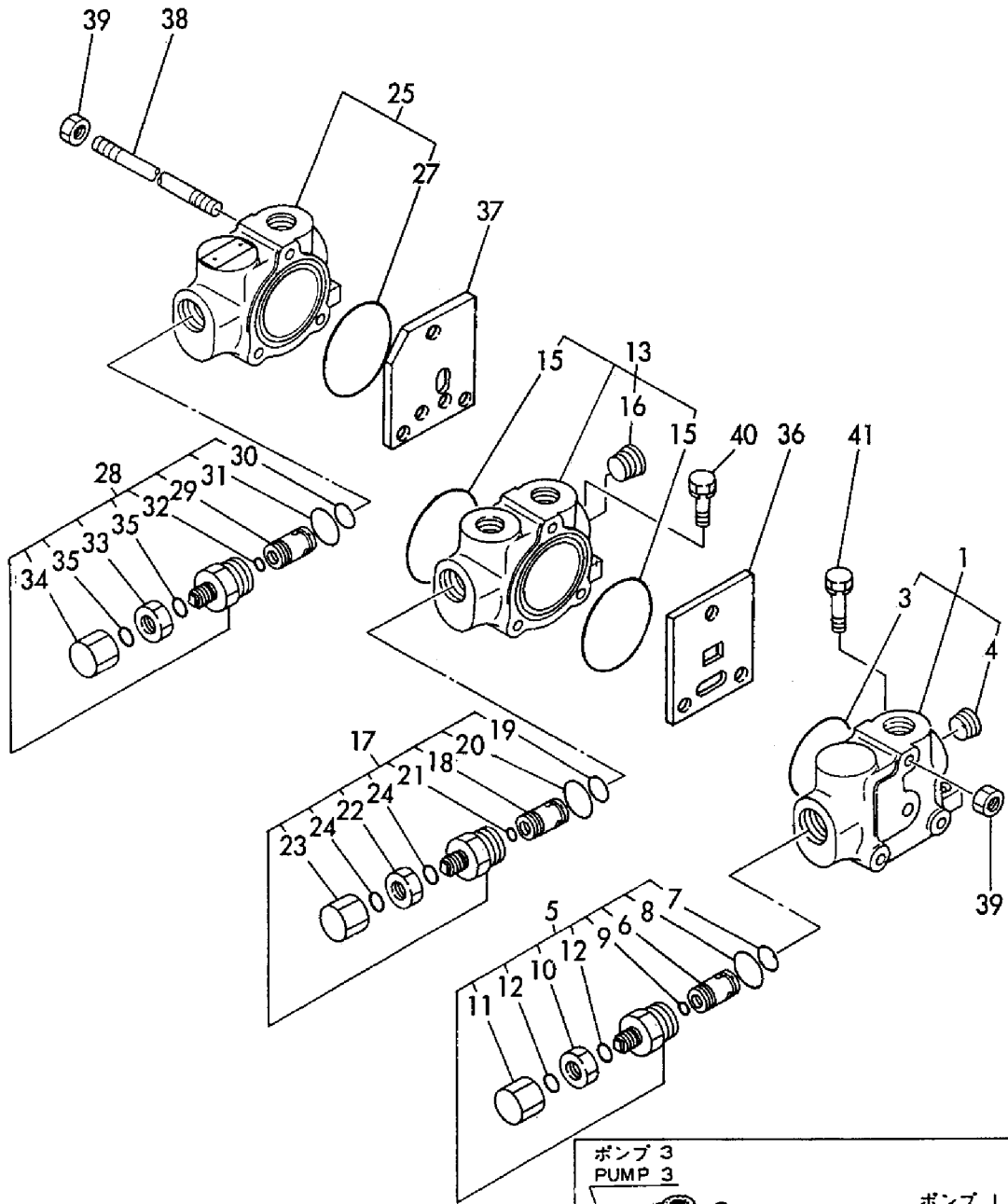
コントロールバルブ ASSY
CONTROL VALVE ASSY
(172149-74100)

Fig. 41 REF. NO. 1
INC. Fig. 41 REF. NO. 2-28
Fig. 42 REF. NO. 1-36
Fig. 43 REF. NO. 1-39
Fig. 44 REF. NO. 1-35
Fig. 45 REF. NO. 1-39



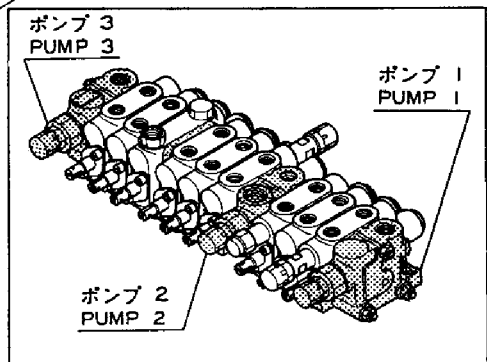
1,2,,172149-74110,, "SECTION ASSY, P1",1,1,1,1,1,,,,,,,,,,,,,
3,3,,24325-000500,, "O-RING 1B G-50.0",1,,1,,,,,M,,,,,,,,,,,,,
3-1,3,,24325-000550,, "O-RING 1B G-55.0",1,1,1,1,1,,,,,,,,,,,,,
4,3,,23871-020000,, "PLUG PT1/4,SCREW",1,1,1,1,1,,,,,,,,,,,,,
5,2,,172137-74570,, "VALVE ASSY, RELIEF",1,,1,,,,,M,,,,,,,,,,,,,
5-1,2,,172149-74440,, "VALVE, RELIEF",1,1,1,1,1,,,,,,,,,,,,,
6,3,,172131-74340,, "VALVE,RELIEF",1,1,1,1,1,,,,,,,,,,,,,
7,3,,172137-74580,, "O-RING 15",1,1,1,1,1,,,,,,,,,,,,,
8,3,,24315-000220,, "O-RING 1B P-22.0",1,1,1,1,1,,,,,,,,,,,,,
9,3,,24315-000100,, "O-RING 1B P-10.0",1,1,1,1,1,,,,,,,,,,,,,
10,3,,172137-74040,, "NUT M14",1,,1,,,,,M,,,,,,,,,,,,,
10-1,3,,172131-74040,, "NUT M14X1",1,1,1,1,1,,,,,,,,,,,,,
11,3,,172131-74050,, "CAP NUT M16X1",1,1,1,1,1,,,,,,,,,,,,,
12,3,,24341-000160,, "O-RING 1A S-16.0",2,,2,,,,,M,,,,,,,,,,,,,
12-1,3,,24314-000160,, "O-RING 4C P-16.0",2,2,2,2,2,,,,,,,,,,,,,
13,2,,172149-74220,, "SECTION ASSY, P2",1,1,1,1,1,,,,,,,,,,,,,
15,3,,24325-000550,, "O-RING 1B G-55.0",2,2,2,2,2,,,,,,,,,,,,,
16,3,,23871-020000,, "PLUG PT1/4,SCREW",1,1,1,1,1,,,,,,,,,,,,,
17,2,,172149-74440,, "VALVE, RELIEF",1,1,1,1,1,,,,,,,,,,,,,
18,3,,172131-74340,, "VALVE,RELIEF",1,1,1,1,1,,,,,,,,,,,,,
19,3,,172137-74580,, "O-RING 15",1,1,1,1,1,,,,,,,,,,,,,
20,3,,24315-000220,, "O-RING 1B P-22.0",1,1,1,1,1,,,,,,,,,,,,,
21,3,,24315-000100,, "O-RING 1B P-10.0",1,1,1,1,1,,,,,,,,,,,,,
22,3,,172137-74040,, "NUT M14",1,,1,,,,,M,,,,,,,,,,,,,
22-1,3,,172131-74040,, "NUT M14X1",1,1,1,1,1,,,,,,,,,,,,,
23,3,,172131-74050,, "CAP NUT M16X1",1,1,1,1,1,,,,,,,,,,,,,
24,3,,24341-000160,, "O-RING 1A S-16.0",2,,2,,,,,M,,,,,,,,,,,,,
24-1,3,,24314-000160,, "O-RING 4C P-16.0",2,2,2,2,2,,,,,,,,,,,,,
25,2,,172149-74410,, "SECTION ASSY, P3",1,1,1,1,1,,,,,,,,,,,,,
27,3,,24325-000550,, "O-RING 1B G-55.0",1,1,1,1,1,,,,,,,,,,,,,
28,2,,172149-74480,, "VALVE, RELIEF",1,1,1,1,1,,,,,,,,,,,,,
29,3,,172131-74340,, "VALVE,RELIEF",1,1,1,1,1,,,,,,,,,,,,,
30,3,,172137-74580,, "O-RING 15",1,1,1,1,1,,,,,,,,,,,,,
31,3,,24315-000220,, "O-RING 1B P-22.0",1,1,1,1,1,,,,,,,,,,,,,
32,3,,24315-000100,, "O-RING 1B P-10.0",1,1,1,1,1,,,,,,,,,,,,,
33,3,,172137-74040,, "NUT M14",1,,1,,,,,M,,,,,,,,,,,,,
33-1,3,,172131-74040,, "NUT M14X1",1,1,1,1,1,,,,,,,,,,,,,
34,3,,172131-74050,, "CAP NUT M16X1",1,1,1,1,1,,,,,,,,,,,,,
35,3,,24314-000160,, "O-RING 4C P-16.0",2,2,2,2,2,,,,,,,,,,,,,
36,2,,172149-76170,, PLATE,1,,1,,,,,M,,,,,,,,,,,,,
36-1,2,,172149-74170,, PLATE,1,1,1,1,1,,,,,,,,,,,,,
37,2,,172149-74300,, PLATE,1,1,1,1,1,,,,,,,,,,,,,
38,2,,172149-74460,, TIE-ROD,3,3,3,3,3,,,,,,,,,,,,,
39,2,,26716-080002,, "NUT M 8",6,6,6,6,6,,,,,,,,,,,,,
40,1,,26013-080202,, "BOLT W/WASHER M8X20",1,1,1,1,1,,,,,,,,,,,,,
41,1,,26013-080252,, "BOLT M 8X 25",2,2,2,2,2,,,,,,,,,,,,,

Fig. 45 コントロールバルブ (P1, P2, P3)
CONTROL VALVE (P1, P2, P3)



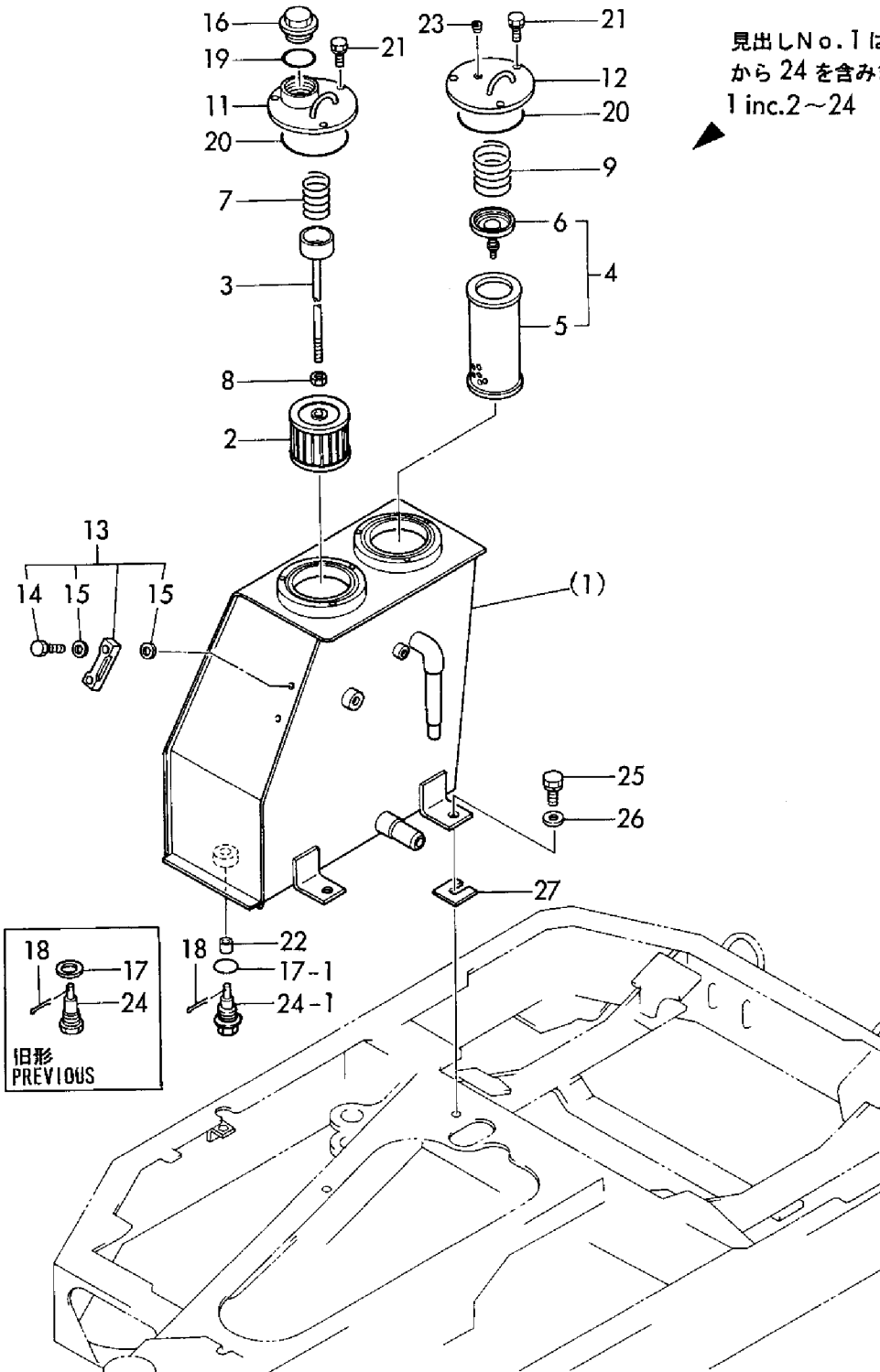
コントロールバルブ ASSY
CONTROL VALVE ASSY
(172149-74100)

- Fig. 41 REF. NO. 1
- INC. Fig. 41 REF. NO. 2~28
- Fig. 42 REF. NO. 1~36
- Fig. 43 REF. NO. 1~39
- Fig. 44 REF. NO. 1~35
- Fig. 45 REF. NO. 1~39



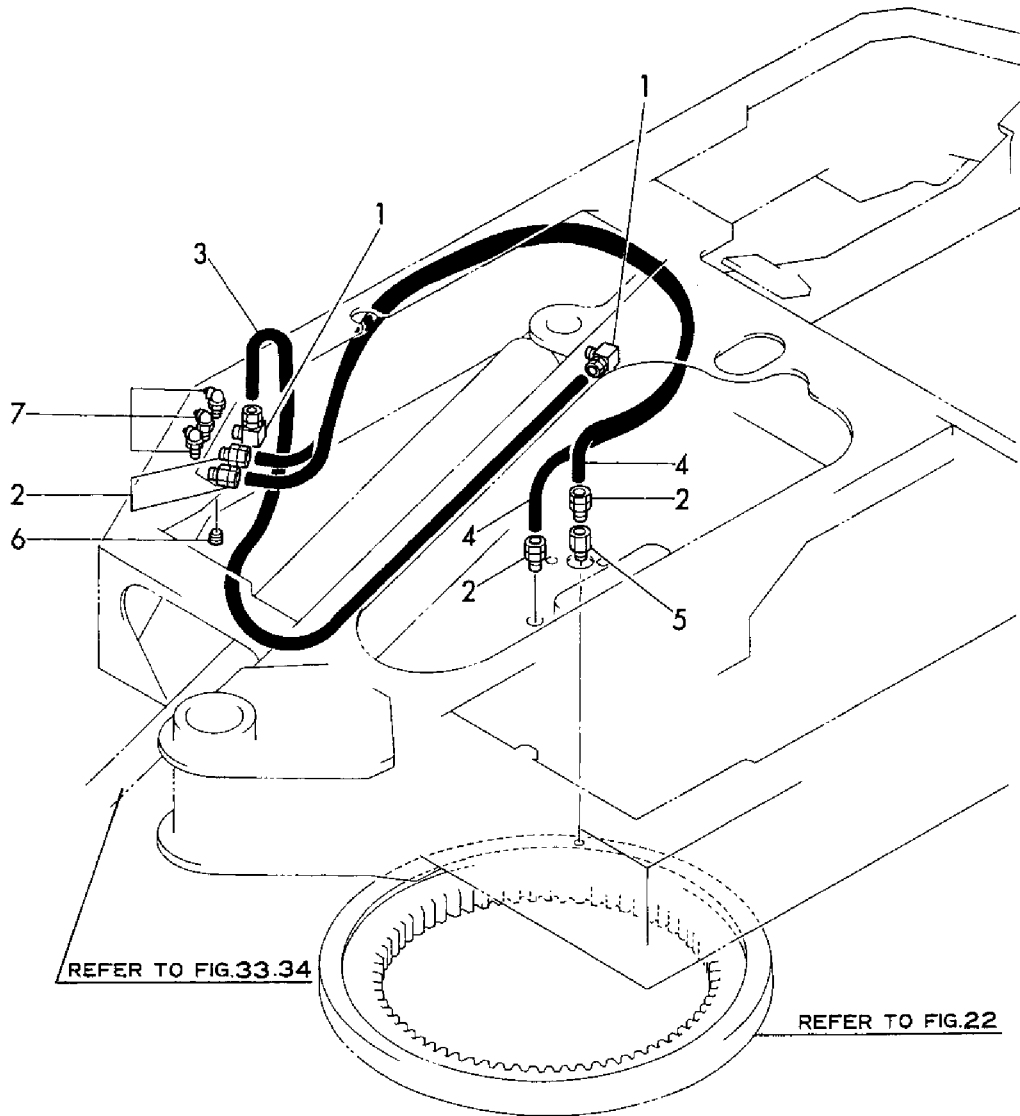
1A,1,,772149-75100,, "RESERVOIR ASSY",1,,1,,,,,,,,,,,,,
1B,1,,772149-75100-1,, "TANK ASSY, HYD.OIL",,1,,1,1,,,,,,,,,,,,,
2,2,,172137-73700,, "FILTER, SUCTION",1,1,1,1,1,,,,,,,,,,,,,
3,2,,172141-73710,, "ROD, STRAINER",1,1,1,1,1,,,,,,,,,,,,,
4,2,,172141-73750,, "FILTER ASSY, RETURN",1,1,1,1,1,,,,,,,,,,,,,
5,3,,172141-73760,, ELEMENT,1,1,1,1,1,,,,,,,,,,,,,
6,3,,172141-73770,, "VALVE ASSY, BYPASS",1,1,1,1,1,,,,,,,,,,,,,
7,2,,172112-75780,, "SPRING, STRAINER",1,1,1,1,1,,,,,,,,,,,,,
8,2,,26716-100002,, "NUT M10",1,1,1,1,1,,,,,,,,,,,,,
9,2,,933152-02710,, "SPRING, SIDE CLUTCH",1,1,1,1,1,,,,,,,,,,,,,
11A,2,,172141-75400,, "COVER, EXIT",1,,1,,,,,,,,,,,,,
11B,2,,172141-75400-1,, "COVER, EXIT",,1,,1,1,,,,,,,,,,,,,
12A,2,,172141-75430,, "COVER, INTAKE",1,,1,,,,,,,,,,,,,
12B,2,,172141-75430-1,, "COVER, INTAKE (GREEN)",,1,,1,1,,,,,,,,,,,,,
13,2,,172122-75600,, "GAUGE, OIL LEVEL",1,1,1,1,1,,,,,,,,,,,,,
14,3,,172122-75620,, BOLT,2,2,2,2,2,,,,,,,,,,,,,
15,3,,172122-75630,, GASKET,4,4,4,4,4,,,,,,,,,,,,,
16,2,,172116-75850,, "PLUG, OIL FEED",1,1,1,1,1,,,,,,,,,,,,,
17,2,,22134-240000,, "WASHER 24",1,,1,,,,,,,,,,,,,
17-1,2,,24341-000300,, "O-RING 1A S-
30.0",1,1,1,1,1,, F,1,, *1994.01,,,,, *1994.01,,,,,
18,2,,22417-200160,, "COTTER PIN 2.0X16",1,1,1,1,1,,,,,,,,,,,,,
19,2,,24311-000380,, "O-RING 1A P-38.0",1,1,1,1,1,,,,,,,,,,,,,
20,2,,24321-001050,, "O-RING 1A G-105.0",2,2,2,2,2,,,,,,,,,,,,,
21,2,,26013-080202,, "BOLT W/WASHER M8X20",6,6,6,6,6,,,,,,,,,,,,,
22,2,,933171-23042,, MAGNET,1,1,1,1,1,,,,,,,,,,,,,
23,2,,933171-23050,, "PLUG 1/4",1,1,1,1,1,,,,,,,,,,,,,
24,2,,933171-23062,, "PLUG 24, DRAIN",1,,1,,,,,,,,,,,,,
24-1,2,,172183-75750,, "PLUG 24, DRAIN",1,1,1,1,1,, N,,,, *1994.01,,,,, *1994.01,,,,,
25,1,,26013-120302,, "BOLT W/WASHER M12X30",3,3,3,3,3,,,,,,,,,,,,,
26,1,,933152-03700,, "WASHER, SIDE CLUTCH",3,3,3,3,3,,,,,,,,,,,,,
27,1,,933169-22940,, "SPACER, RESERVOIR",1,1,1,1,1,,,,,,,,,,,,,

Fig. 46 作動油タンク
HYD. OIL TANK



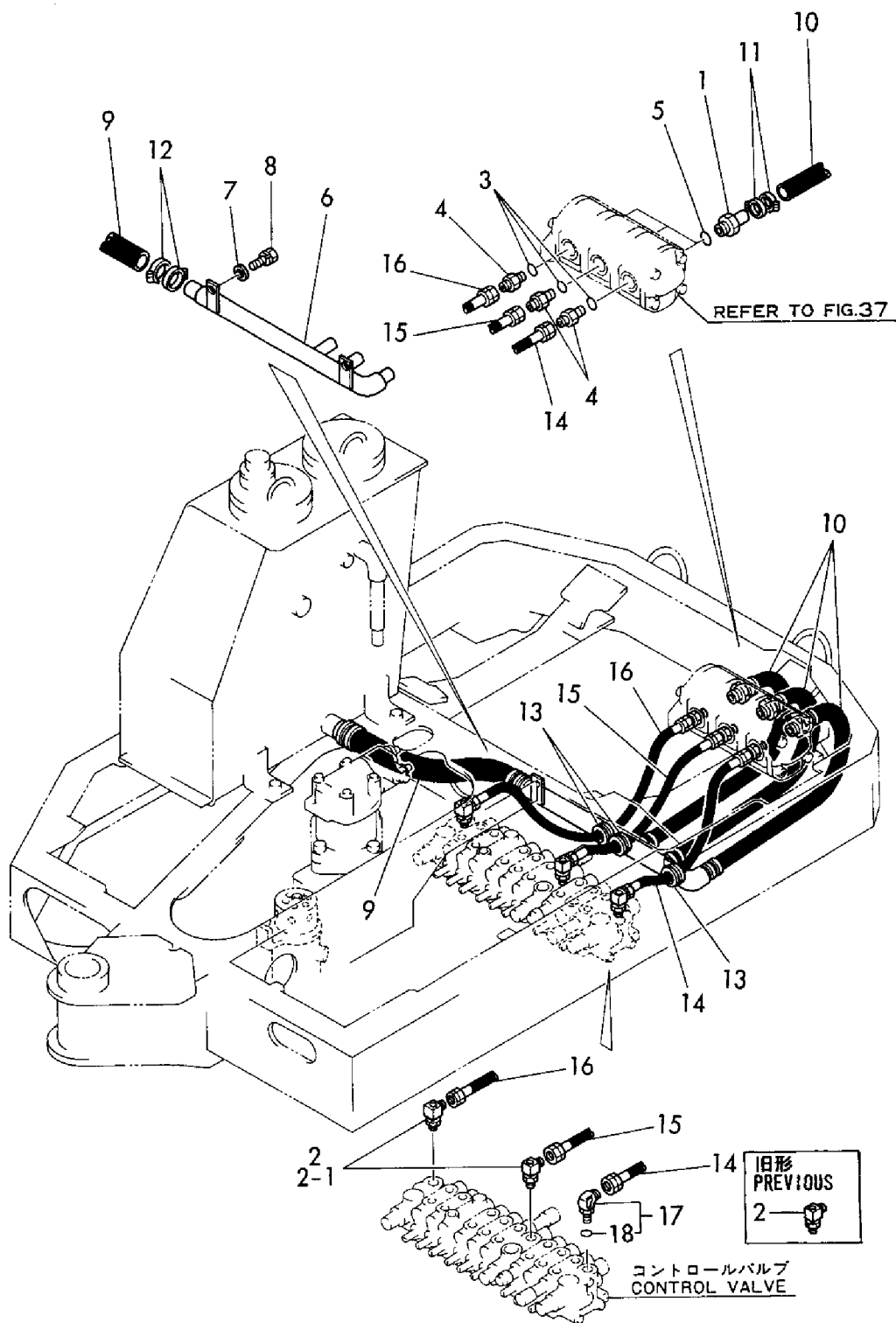
1,1,,172112-77660,, "L-JOINT 1/8",2,2,2,2,2,,,,,,,,,,,,,
2,1,,172141-77800,, "JOINT, GREASE",4,4,4,4,4,,,,,,,,,,,,,
3,1,,172137-78520,, "PIPE P202FF095",1,1,1,1,1,,,,,,,,,,,,,
4,1,,172149-77810,, HOSE,2,,2,,,,,,,,,,,,,
4-1,1,,172149-77811,, HOSE,2,2,2,2,2,N,,,M00778,,,,M00669,,,,,
5,1,,172312-77820,, "FITTING, GREASE",1,1,1,1,1,,,,,,,,,,,,,
6,1,,23871-010000,, "PLUG PT1/8,SCREW",1,1,1,1,1,,,,,,,,,,,,,
7,1,,24761-020000,, "NIPPLE PT1/8,GREASE",3,3,3,3,3,,,,,,,,,,,,,

Fig. 47 グリーシング
GREASING



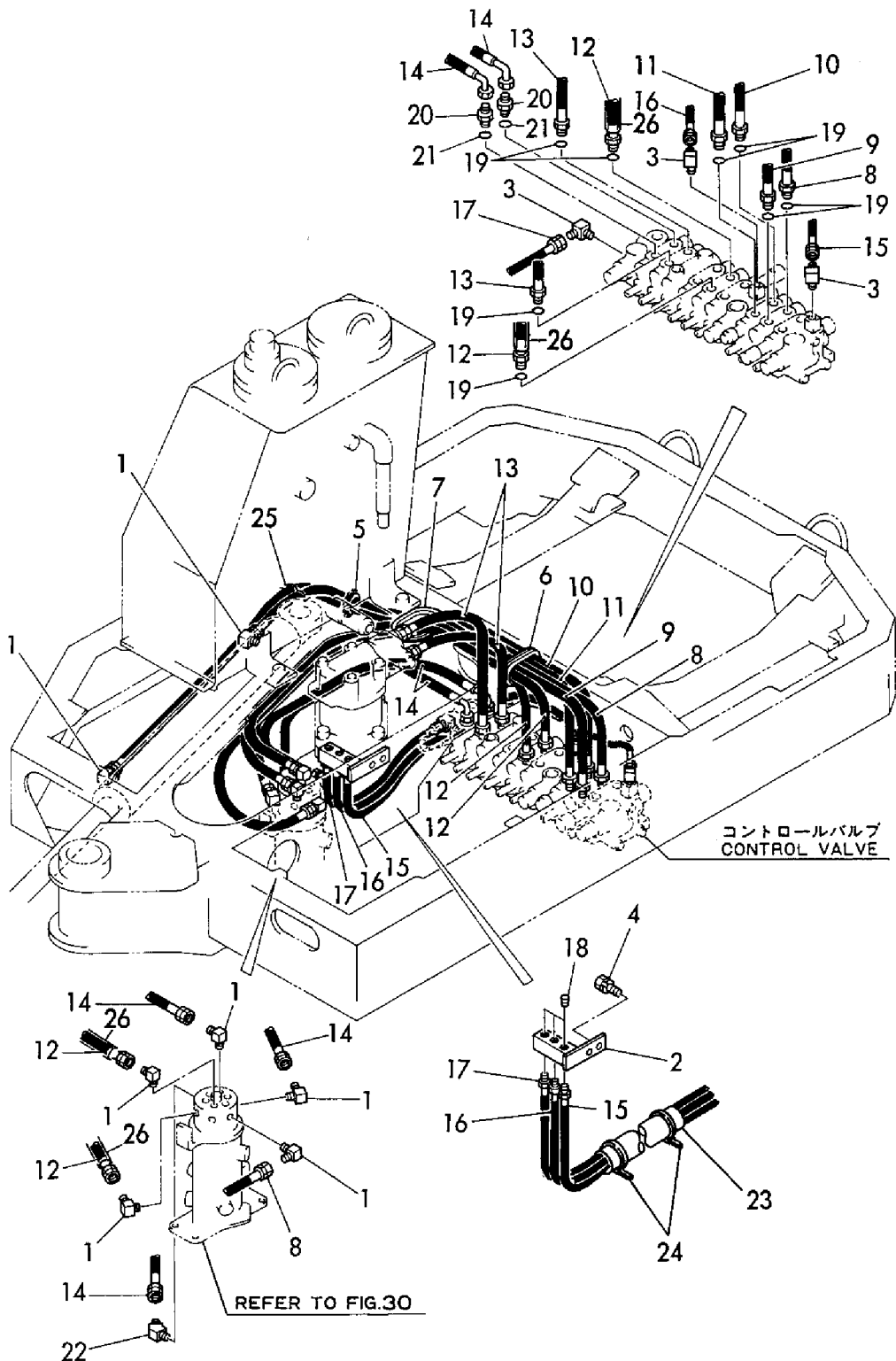
1,1,,172149-76151,,JOINT,3,3,3,3,3,,,,,,,,,,,,,
2,1,,172149-76300,,ELBOW,3,,3,,,,,,,,,,,,,
2-1,1,,172149-76300,,ELBOW,2,2,2,2,2,,K,,,M00501,,,,M00501,,,,,
3,1,,933152-07400,, "O-RING (A)",3,3,3,3,3,,,,,,,,,,,,,
4,1,,933160-03530,, "PORT, PUMP EXH.",3,3,3,3,3,,,,,,,,,,,,,
5,1,,933160-03570,, "O-RING (B)",3,3,3,3,3,,,,,,,,,,,,,
6,1,,172149-76400,, "TUBE, SUCTION",1,1,1,1,1,,,,,,,,,,,,,
7,1,,22137-100000,, "WASHER 10,POLISHED",2,2,2,2,2,,,,,,,,,,,,,
8,1,,26013-100202,, "BOLT W/WASHER M10X20",2,2,2,2,2,,,,,,,,,,,,,
9,1,,172149-78100,,HOSE,1,1,1,1,1,,,,,,,,,,,,,
10,1,,172149-78110,,HOSE,3,3,3,3,3,,,,,,,,,,,,,
11,1,,23000-035000,, "CLAMP 35",12,12,12,12,12,,,,,,,,,,,,,
12,1,,23000-048000,, "CLAMP 48",4,4,4,4,4,,,,,,,,,,,,,
13,1,,933171-15680,, "GROMMET 40X13",3,3,3,3,3,,,,,,,,,,,,,
14,1,,172149-78150,,HOSE,1,1,1,1,1,,,,,,,,,,,,,
15,1,,172149-78160,,HOSE,1,1,1,1,1,,,,,,,,,,,,,
16,1,,172149-78170,,HOSE,1,1,1,1,1,,,,,,,,,,,,,
17,1,,172510-76310,, "ELBOW 3/8",1,,1,,,W,,,M00501,,,,M00501,,,,,
17-1,1,,172142-76180,,JOINT,1,1,1,1,1,,N,,,M00501,,,,M00501,,,,,
18,2,,24315-000140,, "O-RING 1B P-14.0",1,1,1,1,1,,W,,,M00501,,,,M00501,,,,,

Fig. 48 油圧配管 (タンク~バルブ)
 HYD. OIL PIPING (TANK~VALVE)



1,1,,172110-76440,,ELBOW,7,,7,,,,,,,,,,,,,
1-1,1,,23393-020000,,,"JOINT 90RGI1/4",7,7,7,7,7,,N,,M00501,,,,M00501,,,,,
2,1,,172149-76250,,,"CONNECTER, GAUGE",1,1,1,1,1,,,,,,,,,,,,,
3,1,,172112-77660,,,"L-JOINT 1/8",3,3,3,3,3,,,,,,,,,,,,,
4,1,,26013-100202,,,"BOLT W/WASHER M10X20",2,2,2,2,2,,,,,,,,,,,,,
5,1,,172149-78020,,BUSH,1,1,1,1,1,,,,,,,,,,,,,
6,1,,172149-78780,,BUSH,2,,2,,,,,,,,,,,,,
6-1,1,,172149-78781,,GROMET,2,2,2,2,2,,S,,M01223,,,,M00927,,,,,
7,1,,172149-78790,,BUSH,1,1,1,1,1,,,,,,,,,,,,,
8,1,,172149-78210,,HOSE,1,1,1,1,1,,,,,,,,,,,,,
9,1,,172149-78220,,HOSE,1,1,1,1,1,,,,,,,,,,,,,
10,1,,172149-78230,,HOSE,1,1,1,1,1,,,,,,,,,,,,,
11,1,,172149-78240,,HOSE,1,1,1,1,1,,,,,,,,,,,,,
12,1,,172149-78270,,HOSE,2,2,2,2,2,,,,,,,,,,,,,
13,1,,172149-78290,,HOSE,2,2,2,2,2,,,,,,,,,,,,,
14,1,,172149-78330,,HOSE,2,,2,,,,,1,,,,,,,,,,,,,
14-1,1,,172149-78300,,HOSE,2,2,2,2,2,,,,,,,,,,,,,
15,1,,172149-78500,,HOSE,1,,1,,,,,,,,,,,,,
15-1,1,,172149-78501,,HOSE,1,1,1,1,1,,N,,M01931,,,,M01298,,,,,
16,1,,172149-78510,,HOSE,1,,1,,,,,,,,,,,,,
16-1,1,,172149-78511,,HOSE,1,1,1,1,1,,N,,M01931,,,,M01298,,,,,
17,1,,172149-78520,,HOSE,1,1,1,1,1,,,,,,,,,,,,,
18,1,,23871-030000,,,"PLUG PT3/8,SCREW",3,3,3,3,3,,,,,,,,,,,,,
19,1,,24315-000110,,,"O-RING 1B P-11.0",8,8,8,8,8,,,,,,,,,,,,,
20,1,,172123-76120,,,"CONNECTOR PF1/4",2,2,2,2,2,,,,,,,,,,,,,
21,1,,24315-000110,,,"O-RING 1B P-11.0",2,2,2,2,2,,,,,,,,,,,,,
22,1,,172110-76450,,ELBOW,1,,1,,,,,,,,,,,,,
22-1,1,,23393-020000,,,"JOINT 90RGI1/4",1,1,1,1,1,,N,,M00501,,,,M00501,,,,,
23,1,,172149-78360,,,"COVER, HOSE",1,1,,,,,W,,M00868,,,,M00737,,,,,
23-1,1,,172149-78361,,COVER,1,1,1,1,1,,N,,M01931,,,,M01298,,,,,
24,1,,933152-09280,,,"BAND 170",1,,1,,,,,W,,M00868,,,,M00737,,,,,
24-1,1,,933152-09280,,,"BAND 170",2,2,2,2,2,,K,,M01931,,,,M01298,,,,,
25,1,,198511-04300,,W-CLAMP,1,1,1,1,1,,W,,MXXX,,,,MXXX,,,,,
26,1,,172149-78350,,,"COVER, HOSE",2,2,2,2,2,,W,,M00501,,,,M00501,,,,,

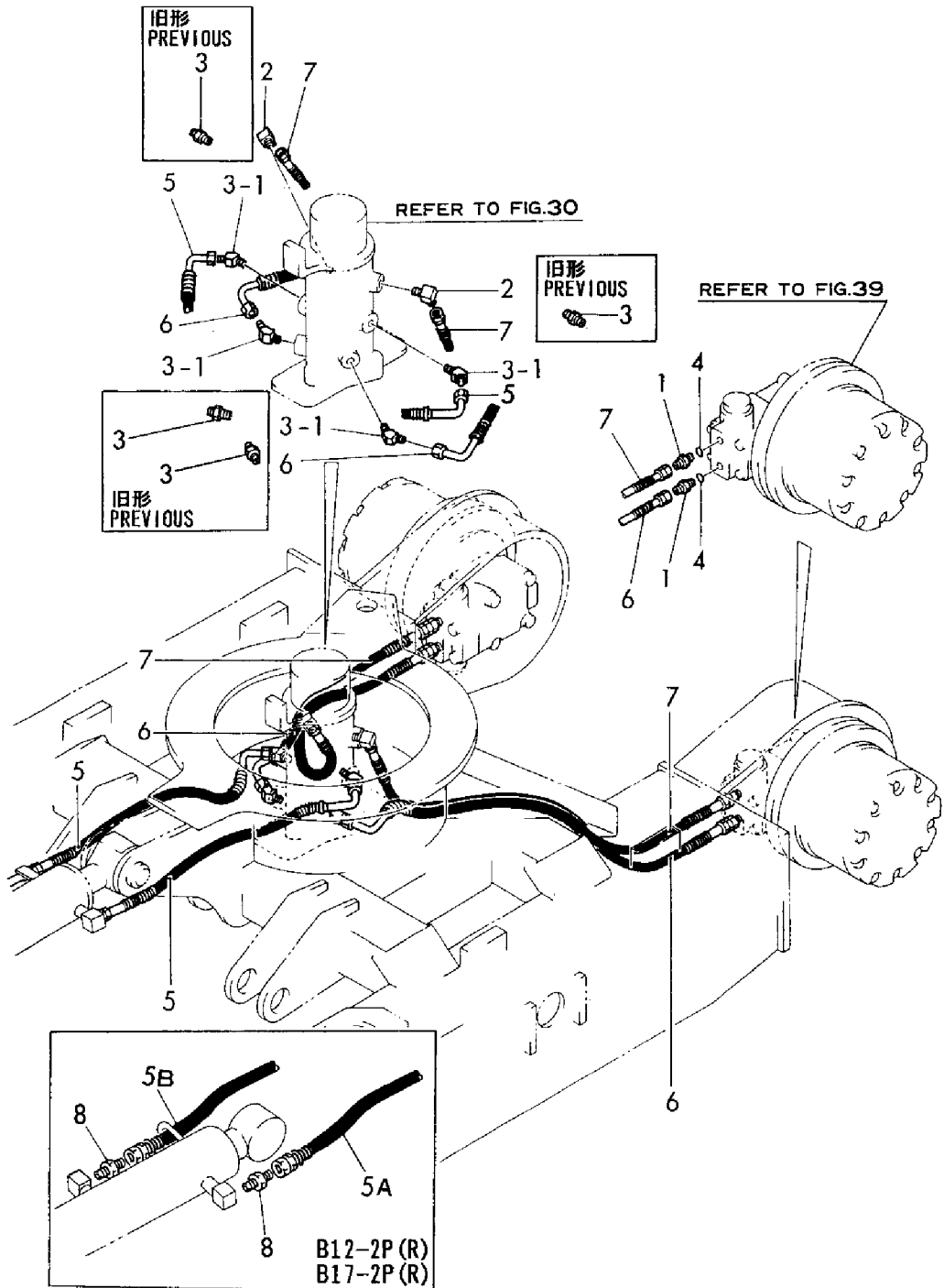
Fig. 49 油圧配管 (バルブ~スイベル~モータ)
 HYD. OIL PIPING (VALVE~SWIVEL~MOTOR)



1,1,,172149-76120,,ELBOW,1,1,1,1,1,,,,,,,,,,,,,
2,2,,24311-000180,,,"O-RING 1A P-18.0",1,1,1,1,1,,,,,,,,,,,,,
3,1,,172141-76180,,CONNECTOR,1,1,1,1,1,,,,,,,,,,,,,
4,2,,24315-000110,,,"O-RING 1B P-11.0",1,1,1,1,1,,,,,,,,,,,,,
5,1,,172141-76200,,CONNECTOR,1,1,1,1,1,,,,,,,,,,,,,
6,2,,24315-000110,,,"O-RING 1B P-11.0",1,1,1,1,1,,,,,,,,,,,,,
7,1,,172141-77800,,,"JOINT, GREASE",2,2,2,2,2,,,,,,,,,,,,,
8,1,,172142-77810,,HOSE,1,1,1,1,1,,,,,,,,,,,,,
9,1,,172149-78120,,HOSE,1,1,1,1,1,,,,,,,,,,,,,
10,1,,172149-78130,,HOSE,1,1,1,1,1,,,,,,,,,,,,,
11,1,,172141-78500,,HOSE,1,1,1,1,1,,,,,,,,,,,,,
13,2,,172141-78900,,,"TUBE, SPIRAL",1,1,1,1,1,,,,,,,,,,,,,
14,1,,933166-25350,,,"ELBOW 1/2 (90°)",1,1,,,,,,,,,,,,,
14-1,1,,23393-030000,,,"JOINT 90RGI 3/8",1,1,1,1,1,N,,,M00501,,,,M00501,,,,,
15,1,,23000-048000,,,"CLAMP 48",1,1,1,1,1,,,,,,,,,,,,,
16,1,,172149-78400,,,"TUBE, COIL",1,1,1,1,1,,,,,,,,,,,,,
17,1,,172112-77480,,,"ELBOW 1/8, STREET",1,1,1,1,1,W,,,M00935,,,,M01000,,,,,

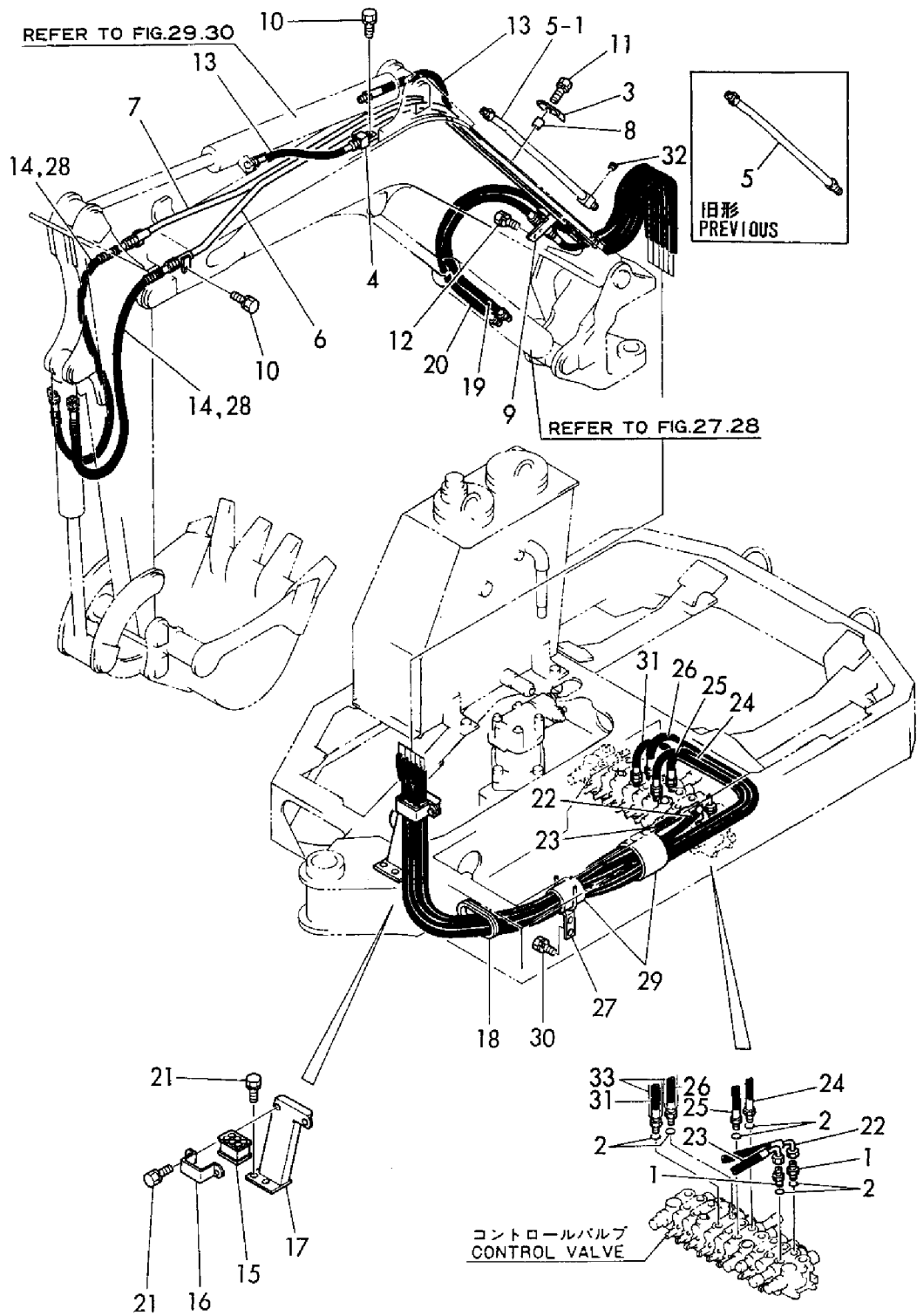
1,1,,172123-76120,, "CONNECTOR PF1/4",4,4,4,4,4,,,,,,,,,,,,,
2,1,,172110-76450,, ELBOW,2,,2,,,,,,,,,,,,,
2-1,1,,23394-020000,, "JOINT 45RGI1/4",2,2,2,2,2,,N,,,M00501,,,,M00501,,,,,
3,1,,172110-76470,, NIPPLE,4,,4,,,,,,,,,,,,,
3-1,1,,23394-020000,, "JOINT 45RGI1/4",4,4,4,4,4,,N,,,M00501,,,,M00501,,,,,
4,1,,24315-000110,, "O-RING 1B P-11.0",4,4,4,4,4,,,,,,,,,,,,,
5,1,,172149-78300,, HOSE,2,,2,,,,,1,,,,,,,,,,,,,
5-1,1,,172149-78330,, HOSE,2,,2,,,,,,,,,,,,,
5A,1,,172149-78331,, HOSE,,1,,1,1,,,,,,,,,,,,,
5B,1,,172149-78340,, HOSE,,1,,1,1,,,,,,,,,,,,,
6,1,,172149-78310,, HOSE,2,2,2,2,2,,,,,,,,,,,,,
7,1,,172149-78320,, HOSE,2,2,2,2,2,,,,,,,,,,,,,
8,1,,23391-020000,, "JOINT RGI1/4",,2,,2,2,,,,,,,,,,,,,

Fig. 51 油压配管 (走行)
HYD. OIL PIPING (TRAVEL)



1,1,,172123-76120,, "CONNECTOR PF1/4",2,2,2,2,2,,,,,,,,,,,,,
2,1,,24315-000110,, "O-RING 1B P-11.0",2,2,2,2,2,,,,,,,,,,,,,
3,1,,172110-76170,, PLATE,4,4,4,4,4,,,,,,,,,,,,,
4,1,,172149-76450,, "TUBE(L), ARM",1,1,1,1,1,,,,,,,,,,,,,
5,1,,172149-76470,, "TUBE(R), ARM",1,1,,,,,,,,,,,,,
5-1,1,,172149-76471,, "PIPE (R), ARM",1,1,1,1,1,N,,,,*1993.09,,,,*1993.09,,,,,
6,1,,172149-76490,, "TUBE(L), BUCKET",1,1,1,1,1,,,,,,,,,,,,,
7,1,,172149-76520,, "TUBE(R), BUCKET",1,1,1,1,1,,,,,,,,,,,,,
8,1,,172137-76580,, "COLLER 9X11",4,4,4,4,4,,,,,,,,,,,,,
9,1,,172149-76580,, "JOINT, BOOM",1,1,1,1,1,,,,,,,,,,,,,
10,1,,26013-080162,, "BOLT W/WASHER M8X16",3,3,3,3,3,,,,,,,,,,,,,
11,1,,26013-080252,, "BOLT M 8X 25",4,4,4,4,4,,,,,,,,,,,,,
12,1,,26013-100202,, "BOLT W/WASHER M10X20",2,2,2,2,2,,,,,,,,,,,,,
13,1,,172137-78340,, HOSE,2,2,2,2,2,,,,,,,,,,,,,
14,1,,172137-78350,, HOSE,2,2,,,,,,,,,,,,,
15,1,,172149-78600,, CLAMP,1,1,1,1,1,,,,,,,,,,,,,
16,1,,172149-78620,, "PLATE, CLAMP",1,1,1,1,1,,,,,,,,,,,,,
17,1,,172149-78650,, "SUPPORT, HOSE",1,1,1,1,1,,,,,,,,,,,,,
18,1,,172149-78760,, GROMMET,1,1,1,1,1,,,,,,,,,,,,,
19,1,,23271-020501,, HOSE,1,1,1,1,1,,,,,,,,,,,,,
20,1,,23271-020571,, HOSE,1,1,1,1,1,,,,,,,,,,,,,
21,1,,26013-100202,, "BOLT W/WASHER M10X20",4,4,4,4,4,,,,,,,,,,,,,
22,1,,172149-78190,, HOSE,1,1,1,1,1,,,,,,,,,,,,,
23,1,,172149-78200,, HOSE,1,1,1,1,1,,,,,,,,,,,,,
24,1,,172149-78250,, HOSE,1,1,1,1,1,,,,,,,,,,,,,
25,1,,172149-78260,, HOSE,1,1,1,1,1,,,,,,,,,,,,,
26,1,,172149-78280,, HOSE,1,1,1,1,1,,,,,,,,,,,,,
27,1,,172149-78820,, "CLAMP, HOSE",1,1,1,1,1,,,,,,,,,,,,,
28,1,,172150-78150,, HOSE,,,2,2,2,,,,,,,,,,,,,
29,1,,172149-78870,, CLAMP,2,2,,,,,,,,,,,,,
29-1,1,,172149-78871,, CLAMP,2,2,2,2,2,N,,,,M01855,,,,M01269,,,,,
30,1,,26013-100202,, "BOLT W/WASHER M10X20",2,2,2,2,2,,,,,,,,,,,,,
31,1,,172149-78180,, HOSE,1,1,1,1,1,,,,,,,,,,,,,
32,1,,23871-010000,, "PLUG PT1/8,SCREW",1,1,1,1,1,W,,,,*1993.09,,,,*1993.09,,,,,
33,1,,172149-78350,, "COVER, HOSE",2,2,2,2,2,W,,,,M00501,,,,M00501,,,,,

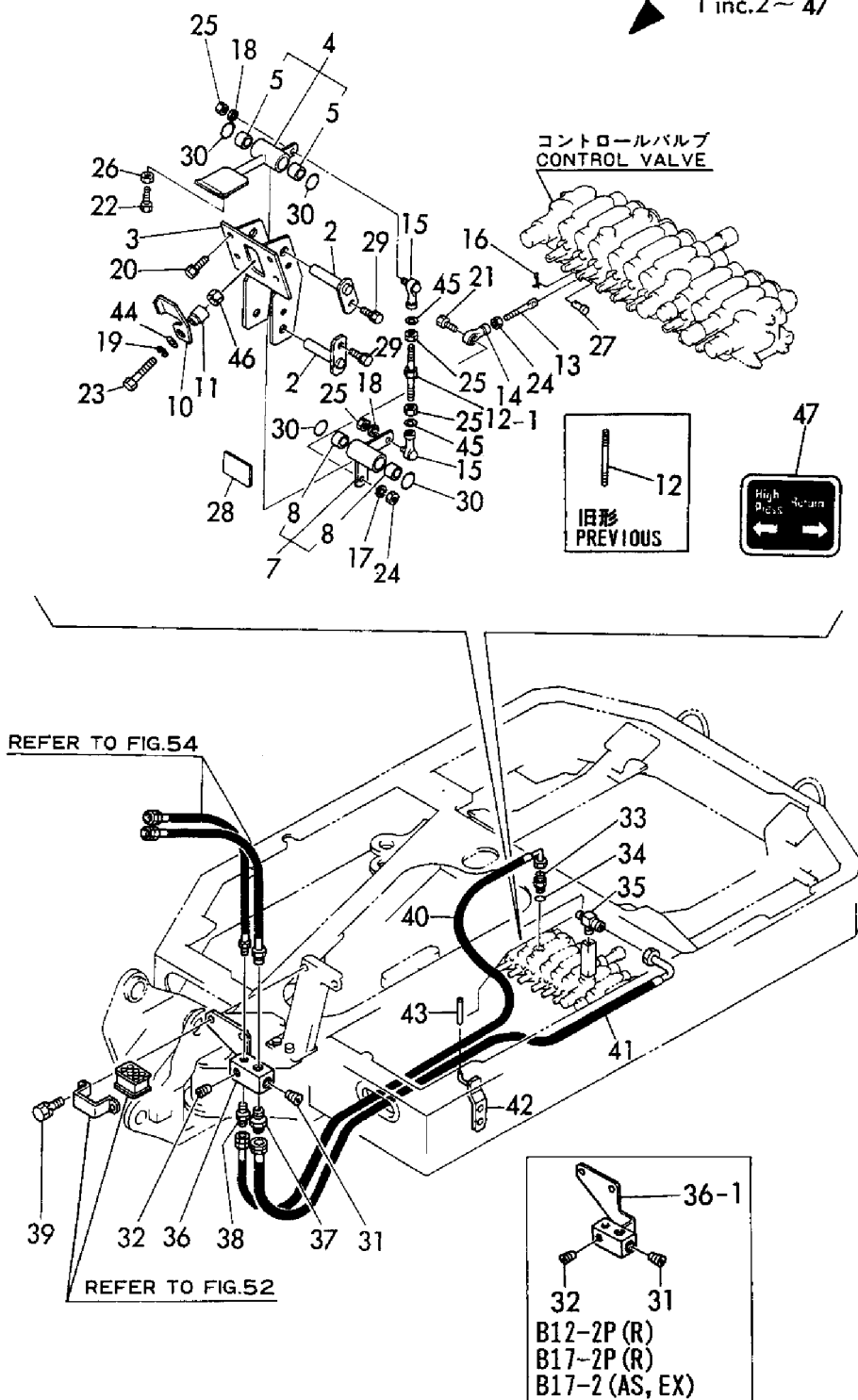
Fig. 52 油圧配管 (ブーム)
 HYD. OIL PIPING (BOOM)



1,1,,772149-46100,, "3RD VALVE ASSY",1,1,1,1,1,,,,,,,,,,,,,
2,2,,172149-41860,, "PIN, BLADE",2,2,2,2,2,,,,,,,,,,,,,
3,2,,172149-42750,, "SUPPORT, PEDAL",1,1,1,1,1,,,,,,,,,,,,,
4,2,,172149-42800,, "PEDAL, 3RD",1,1,1,1,1,,,,,,,,,,,,,
5,3,,172141-41360,, "BUSH 1415",2,2,2,2,2,,,,,,,,,,,,,
7,2,,172149-42850,, "LINK, 3RD",1,1,1,1,1,,,,,,,,,,,,,
8,3,,172141-41360,, "BUSH 1415",2,2,2,2,2,,,,,,,,,,,,,
10,2,,172149-42890,, "LEVER, LOCK",1,1,1,1,1,,,,,,,,,,,,,
11,2,,172149-42900,, "COLLAR",1,1,1,1,1,,,,,,,,,,,,,
12,2,,172149-42920,, "ROD, 3RD",1,1,1,1,1,,,,,,,,,,,,,
12-1,2,,172149-42720,, "ROD COMP., 3RD",1,1,1,1,1,N,,M10949,,M10719,,,
13,2,,172146-45690,, "ROD(C), SPOOL",1,1,1,1,1,,,,,,,,,,,,,
13-1,2,,172146-45691,, "ROD(C), SPOOL",1,1,1,1,1,N,,*1993.09,,*1993.09,,,
14,2,,172122-46570,, "ROD-END 8",1,1,1,1,1,,,,,,,,,,,,,
14-1,2,,172122-46571,, "ROD-END 8",1,1,1,1,1,N,,M02063,,M01366,,,
15,2,,172122-46590,, "ELBALL 8",2,2,2,2,2,,,,,,,,,,,,,
16,2,,1C6281-52310,, "PIN 6, COME-OFF SNAP",1,1,1,1,1,,,,,,,,,,,,,
17,2,,22217-080000,, "SPRING WASHER 8",1,1,1,1,1,Z,,M10949,,M10719,,,
18,2,,22217-080000,, "SPRING WASHER 8",2,2,2,2,2,Z,,M10949,,M10719,,,
19,2,,22217-100000,, "SPRING WASHER 10",1,1,1,1,1,,,,,,,,,,,,,
20,2,,26013-100202,, "BOLT W/WASHER M10X20",4,4,4,4,4,,,,,,,,,,,,,
21,2,,26116-080302,, "BOLT M 8X 30 PLATED",1,1,1,1,1,,,,,,,,,,,,,
22,2,,26116-100252,, "BOLT M10X 25 PLATED",1,1,1,1,1,,,,,,,,,,,,,
23,2,,26116-100352,, "BOLT M10X 35 PLATED",1,1,1,1,1,,,,,,,,,,,,,
24,2,,26716-080002,, "NUT M 8",2,2,2,2,2,,,,,,,,,,,,,
24-1,2,,26051-080002,, "NUT M 8",2,2,2,2,2,N,,M10949,,M10719,,,
25,2,,26716-080002,, "NUT M 8",4,4,4,4,4,,,,,,,,,,,,,
25-1,2,,26051-080002,, "NUT M 8",4,4,4,4,4,N,,M10949,,M10719,,,
26,2,,26716-100002,, "NUT M10",1,1,1,1,1,,,,,,,,,,,,,
27,2,,933110-54100,, "PIN 4.75X14",1,1,1,1,1,,,,,,,,,,,,,
28,2,,172131-03421,, "LABEL, 3RD VALVE",1,1,1,1,1,,,,,,,,,,,,,
29,2,,26013-100202,, "BOLT W/WASHER M10X20",2,2,2,2,2,,,,,,,,,,,,,
30,2,,24311-000210,, "O-RING 1A P-21.0",4,4,4,4,4,,,,,,,,,,,,,
31,2,,23871-040000,, "PLUG PT1/2, SCREW",2,2,2,2,2,,,,,,,,,,,,,
32,2,,23871-030000,, "PLUG PT3/8, SCREW",2,2,2,2,2,,,,,,,,,,,,,
33,2,,172730-75140,, "ADAPTOR",1,1,1,1,1,,,,,,,,,,,,,
34,2,,24311-000140,, "O-RING 1A P-14.0",1,1,1,1,1,,,,,,,,,,,,,
35,2,,172149-76200,, "CONNECTER",1,1,1,1,1,,,,,,,,,,,,,
36,2,,172149-76700,, "CONNECTOR",1,1,1,1,1,,,,,,,,,,,,,
36-1,2,,172149-76701,, "CONNECTOR",1,1,1,1,S,,*1995.10,,*1995.10,,*1995.10
37,2,,933166-25420,, "ADAPTER",1,1,1,1,1,,,,,,,,,,,,,
37-1,2,,23391-040000,, "JOINT RGI 1/2",1,1,1,1,1,N,,M00501,,M00501,,,
38,2,,933152-24410,, "CONNECTOR (A)",1,1,1,1,1,,,,,,,,,,,,,
39,2,,26013-100252,, "BOLT W/WASHER M10X25",2,2,2,2,2,,,,,,,,,,,,,
40,2,,172149-78450,, "HOSE",1,1,1,1,1,,,,,,,,,,,,,
40-1,2,,172146-78380,, "HOSE",1,1,1,1,S,,*1995.10,,*1995.10,,*1995.10
41,2,,172149-78460,, "HOSE",1,1,1,1,1,,,,,,,,,,,,,
41-1,2,,172149-78461,, "HOSE",1,1,1,1,S,,*1995.10,,*1995.10,,*1995.10
42,2,,172149-78900,, "CLAMP, HOSE(3RD)",1,1,1,1,1,,,,,,,,,,,,,
43,2,,172149-78920,, "HOSE",1,1,1,1,1,,,,,,,,,,,,,
44,2,,22137-080000,, "WASHER 8, POLISHED",1,1,1,1,1,W,,M10949,,M10719,,,
45,2,,22137-080000,, "WASHER 8, POLISHED",2,2,2,2,2,W,,M10949,,M10719,,,
46,2,,26716-100002,, "NUT M10",1,1,1,1,1,W,,MXXX,,MXXX,,,
47,2,,172149-03451,, "LABEL",1,1,1,1,1,W,,M00501,,M00501,,,

Fig. 53 油圧配管 (P. T. O. バルブ~ブームブラケット)
 HYD. OIL PIPING (P. T. O. VALVE~BOOM BRACKET)

見出しNo. 1は、見出しNo.
 2から47を含みます。
 1 inc. 2~47



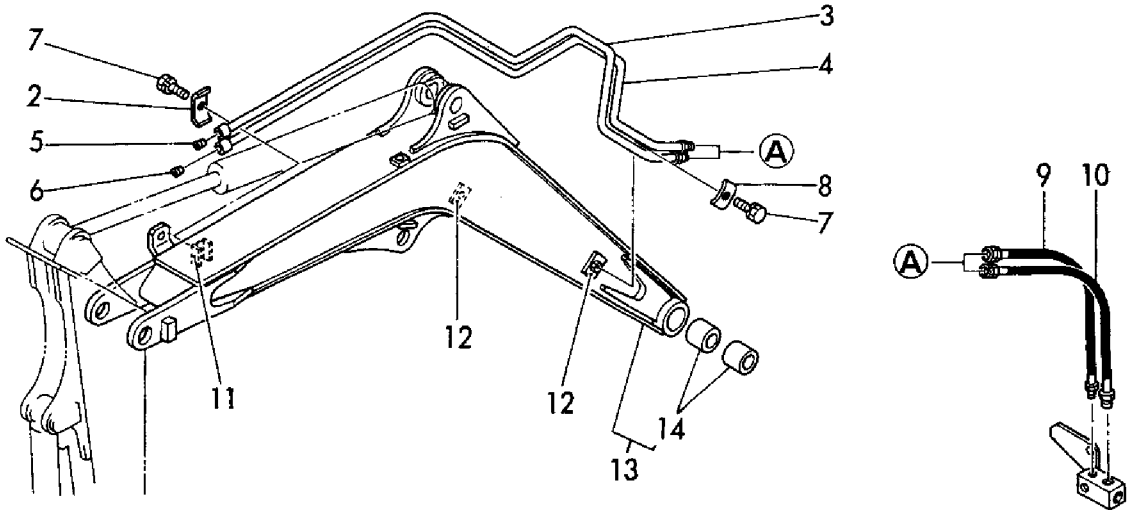
1,1,,772149-76410,, "3RD VALVE PIPING",1,1,1,1,1,,,,,,,,,,,,,
1-1,1,,772149-76411,, "3RD VALVE
PIPING",,1,,1,1,,S,,,,,*1995.10,,,,*1995.10,,*1995.10
2,2,,172112-76300,, "RETAINER A,BOOM PIPE",1,1,1,1,1,,,,,,,,,,,,,
3,2,,172149-76540,, "TUBE, 3RD",1,1,1,1,1,,,,,,,,,,,,,
3-1,2,,172149-76541,, "HOSE, 3RD P",,1,,1,1,,S,,,,,*1995.10,,,,*1995.10,,*1995.10
4,2,,172149-76560,, "TUBE, 3RD",1,1,1,1,1,,,,,,,,,,,,,
4-1,2,,172149-76561,, "HOSE, 3RD T",,1,,1,1,,S,,,,,*1995.10,,,,*1995.10,,*1995.10
5,2,,23871-030000,, "PLUG PT3/8,SCREW",1,1,1,1,1,,,,,,,,,,,,,
6,2,,23871-040000,, "PLUG PT1/2,SCREW",1,1,1,1,1,,,,,,,,,,,,,
7,2,,26013-100402,, "BOLT M10X 40",3,3,3,3,3,,,,,,,,,,,,,
7-1,2,,26116-100552,, "BOLT M10X 55
PLATED",,1,,1,1,,S,,,,,*1995.10,,,,*1995.10,,*1995.10
8,2,,933155-09670,, "CLAMP, PIPE",2,2,2,2,2,,,,,,,,,,,,,
8-1,2,,172142-76950,, "CLAMP 1/2",,3,,3,3,,S,,,,,*1995.10,,,,*1995.10,,*1995.10
9,2,,172149-78470,, "HOSE",1,1,1,1,1,,,,,,,,,,,,,
10,2,,172149-78480,, "HOSE",1,1,1,1,1,,,,,,,,,,,,,
11,2,,172137-81410,, "BASE, CLAMP",1,1,1,1,1,,,,,,,,,,,,,
11-1,2,,172137-81410,, "BASE,
CLAMP",,1,,1,1,,Z,,,,,*1995.10,,,,*1995.10,,*1995.10
12,2,,172711-81490,, "STAY (B)ASSY, PIPE",2,2,2,2,2,,,,,,,,,,,,,
12-1,2,,172711-81490,, "STAY (B)ASSY,
PIPE",,2,,2,2,,Z,,,,,*1995.10,,,,*1995.10,,*1995.10
12A,2,,26013-120402,, "BOLT M12X
40",,1,,1,1,,W,,,,,*1995.10,,,,*1995.10,,*1995.10
12B,2,,22217-100000,, "SPRING WASHER
10",,1,,1,1,,W,,,,,*1995.10,,,,*1995.10,,*1995.10
12C,2,,172183-76260,, "SPACER",1,,1,1,,W,,,,,*1995.10,,,,*1995.10,,*1995.10
12D,2,,172183-76250,, "PLATE",,2,,2,2,,W,,,,,*1995.10,,,,*1995.10,,*1995.10
12E,2,,26013-120502,, "BOLT M12X
50",,2,,2,2,,W,,,,,*1995.10,,,,*1995.10,,*1995.10
13,1,,172149-81400,, "BOOM, 3RD",1,,1,,,,,,,,,,,,,
14,2,,172141-82270,, "BUSH 35 45",2,,2,,,,,,,,,,,,,
15,1,,172149-81401,, "BOOM (3RD",,1,,1,1,,,,,,,,,,,,,
15-1,1,,172183-81100,, "BOOM
W/BUSH",,1,,1,1,,S,1,,,,,*1995.10,,,,*1995.10,,*1995.10
16,2,,172171-81280,, "SEAL 35X45X4",,2,,2,2,,,,,,,,,,,,,
17,2,,172141-82270,, "BUSH 35 45",,2,,2,2,,,,,,,,,,,,,

Fig. 54 油圧配管 (P. T. O. ブームエンド) HYD. OIL PIPING (P. T. O. BOOM END)

B12(-1)P(R)
B17(-1)P(R)

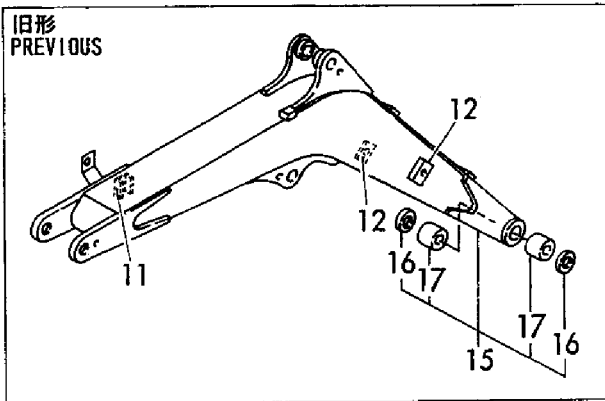
見出しNo. 1 は、見出しNo. 2 から 12 を含みます。

1 inc. 2 ~ 12



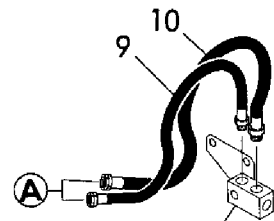
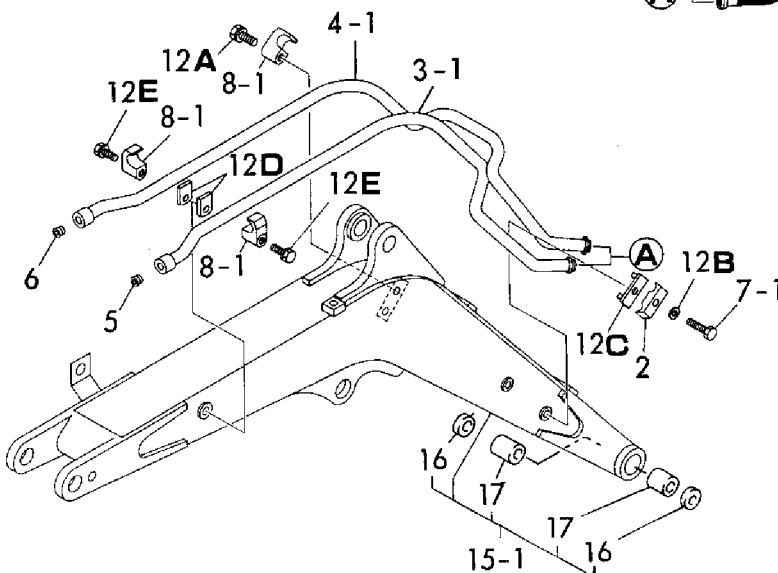
B12-2P(R)
B17-2P(R)

旧形
PREVIOUS



見出しNo. 1-1 は、見出しNo. 2 から 12E を含みます。

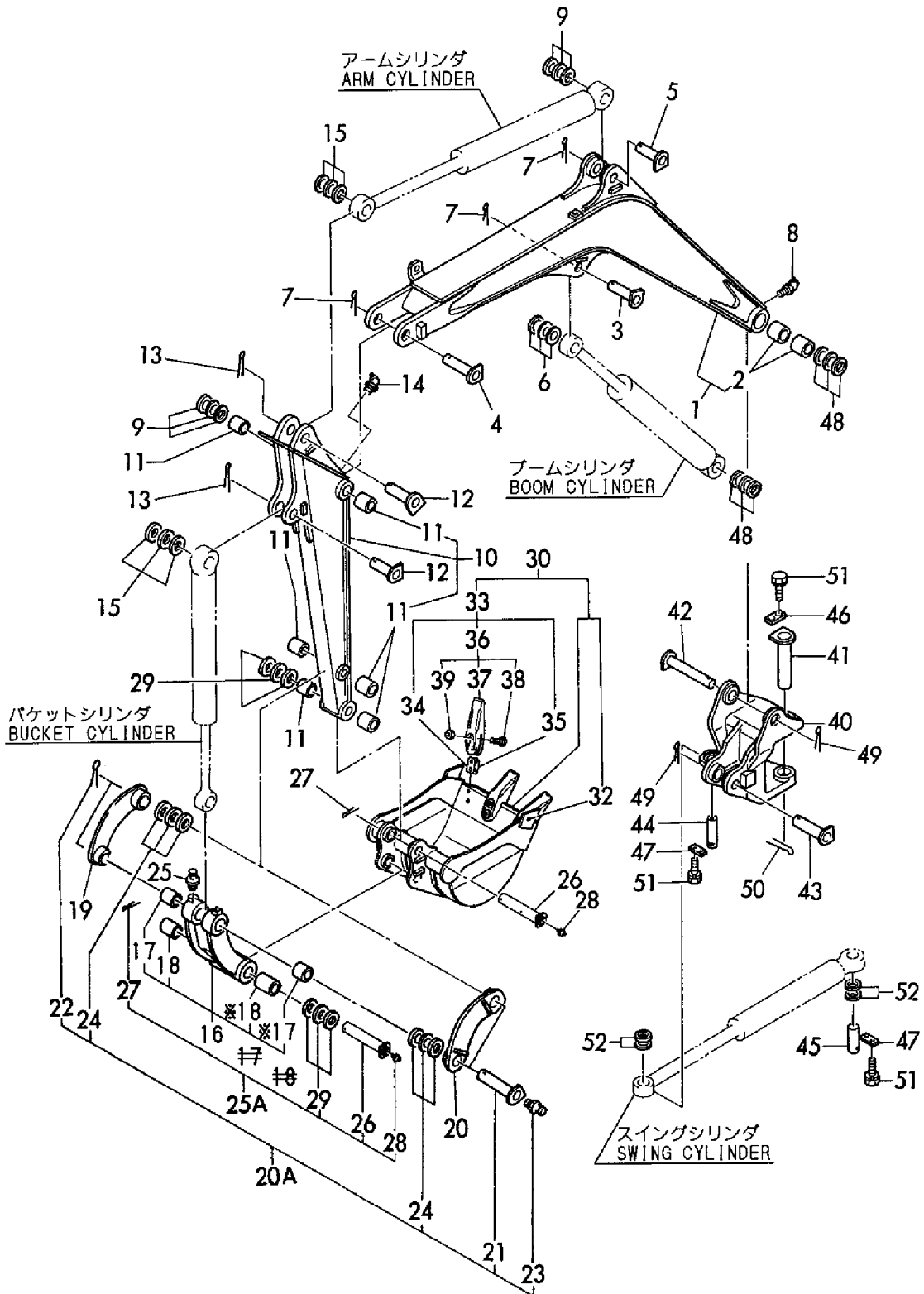
1-1 inc. 2 ~ 12E



REFER TO FIG.53

1,1,,172149-81100,, "BOOM ASSY",1,,,,,,,,,,,,,
2,2,,172141-82270,, "BUSH 35 45",2,,,,,,,,,,,,,
3,1,,172149-81300,, PIN,1,,,,,,,,,,,,,
4,1,,172149-81320,, PIN,1,,,,,,,,,,,,,
5,1,,172137-81360,, "PIN 30-109, BOOM",1,,,,,,,,,,,,,
6,1,,172141-84600,, "SHIM 35",1,,,,,,,,,,,,,
6-1,1,,172141-84601,, "SHIM 35",1,,,,,,,,,N,,*1994.03,,,,,,,,,
7,1,,22417-800450,, "COTTER PIN 8.0X45",3,,,,,,,,,,,,,
8,1,,24761-020000,, "NIPPLE PT1/8,GREASE",1,,,,,,,,,,,,,
9,1,,933160-06710,, "SHIM 30, PIN ADJUST",2,,,,,,,,,,,,,
9-1,1,,933160-06711,, "SHIM 30, PIN ADJUST",2,,,,,,,,,N,,*1994.03,,,,,,,,,
10,1,,172138-82101,, "ARM 780 ASSY",1,,,,,,,,,,,,,
11,2,,172137-81300,, "BUSH 30X45, PIN",6,,,,,,,,,,,,,
12,1,,172137-94250,, "PIN 30- 71",2,,,,,,,,,,,,,
13,1,,22417-800450,, "COTTER PIN 8.0X45",2,,,,,,,,,,,,,
14,1,,24761-040000,, "NIPPLE B,GREASE",1,,,,,,,,,,,,,
15,1,,933160-06710,, "SHIM 30, PIN ADJUST",2,,,,,,,,,,,,,
16,1,,172137-84401,, "LINK, BUCKET",1,,,,,,,,,,,,,
17,2,,172137-81300,, "BUSH 30X45, PIN",2,,,,,,,,,,,,,
18,2,,172137-84450,, "BUSH 30X11, PIN",2,,,,,,,,,,,,,
19,1,,172137-84502,, "ARM (L), BUCKET",1,,,,,,,,,,,,,
20,1,,172137-84512,, "ARM (R), BUCKET",1,,,,,,,,,,,,,
20A,1,,172137-99450,, "KIT, BUCKET PIN",2,,,,,,,,,,,,,
21,2,,172137-86250,, "PIN, BUCKET",2,,,,,,,,,,,,,
22,2,,22417-800450,, "COTTER PIN 8.0X45",2,,,,,,,,,,,,,
23,2,,24761-020000,, "NIPPLE PT1/8,GREASE",2,,,,,,,,,,,,,
24,2,,933160-06710,, "SHIM 30, PIN ADJUST",4,,,,,,,,,,,,,
25,1,,24761-020000,, "NIPPLE PT1/8,GREASE",2,,,,,,,,,,,,,
25A,1,,172137-99450,, "KIT, BUCKET PIN",2,,,,,,,,,,,,,
26,2,,172137-86250,, "PIN, BUCKET",2,,,,,,,,,,,,,
27,2,,22417-800450,, "COTTER PIN 8.0X45",2,,,,,,,,,,,,,
28,2,,24761-020000,, "NIPPLE PT1/8,GREASE",2,,,,,,,,,,,,,
29,2,,933160-06710,, "SHIM 30, PIN ADJUST",2,,,,,,,,,,,,,
30,1,,772137-86100,, "BUCKET ASSY (400",1,,,,,,,,,,,,,
32,3,,172137-86240,, "TEETH, SIDE",2,,,,,,,,,,,,,
33,2,,772137-86751,, "TEETH ASSY",3,,,,,,,,,,,,,
34,3,,172137-86700,, "SHIM 2.3, TEETH",3,,,,,,,,,,,,,
35,3,,172137-86710,, "TEETH SHIM 17 SET",3,,,,,,,,,,,,,
36,3,,172137-86751,, "TEETH ASSY",3,,,,,,,,,,,,,
37,4,,172141-86231,, TEETH,3,,,,,,,,,,,,,
38,4,,172137-86770,, BOLT,6,,,,,,,,,,,,,
39,4,,172137-86780,, NUT,6,,,,,,,,,,,,,
40,1,,172149-83100,, "BRACKET, BOOM",1,,,,,,,,,,,,,
41,1,,172149-83110,, PIN,1,,,,,,,,,,,,,
42,1,,172149-83130,, PIN,1,,,,,,,,,,,,,
43,1,,172149-83150,, PIN,1,,,,,,,,,,,,,
44,1,,172149-83170,, PIN,1,,,,,,,,,,,,,
45,1,,172149-83180,, PIN,1,,,,,,,,,,,,,
46,1,,172149-83190,, "PLATE, LOCK",1,,,,,,,,,,,,,
47,1,,172117-83970,, "PLATE(C), LOCK(YELLOW",2,,,,,,,,,,,,,
48,1,,172141-84600,, "SHIM 35",2,,,,,,,,,,,,,
49,1,,22417-800450,, "COTTER PIN 8.0X45",2,,,,,,,,,,,,,
50,1,,22417-800630,, "COTTER PIN 8.0X63",1,,,,,,,,,,,,,
51,1,,26013-100252,, "BOLT W/WASHER M10X25",6,,,,,,,,,,,,,
52,1,,933171-29750,, "SHIM SET, PIN 38",2,,,,,,,,,,,,,

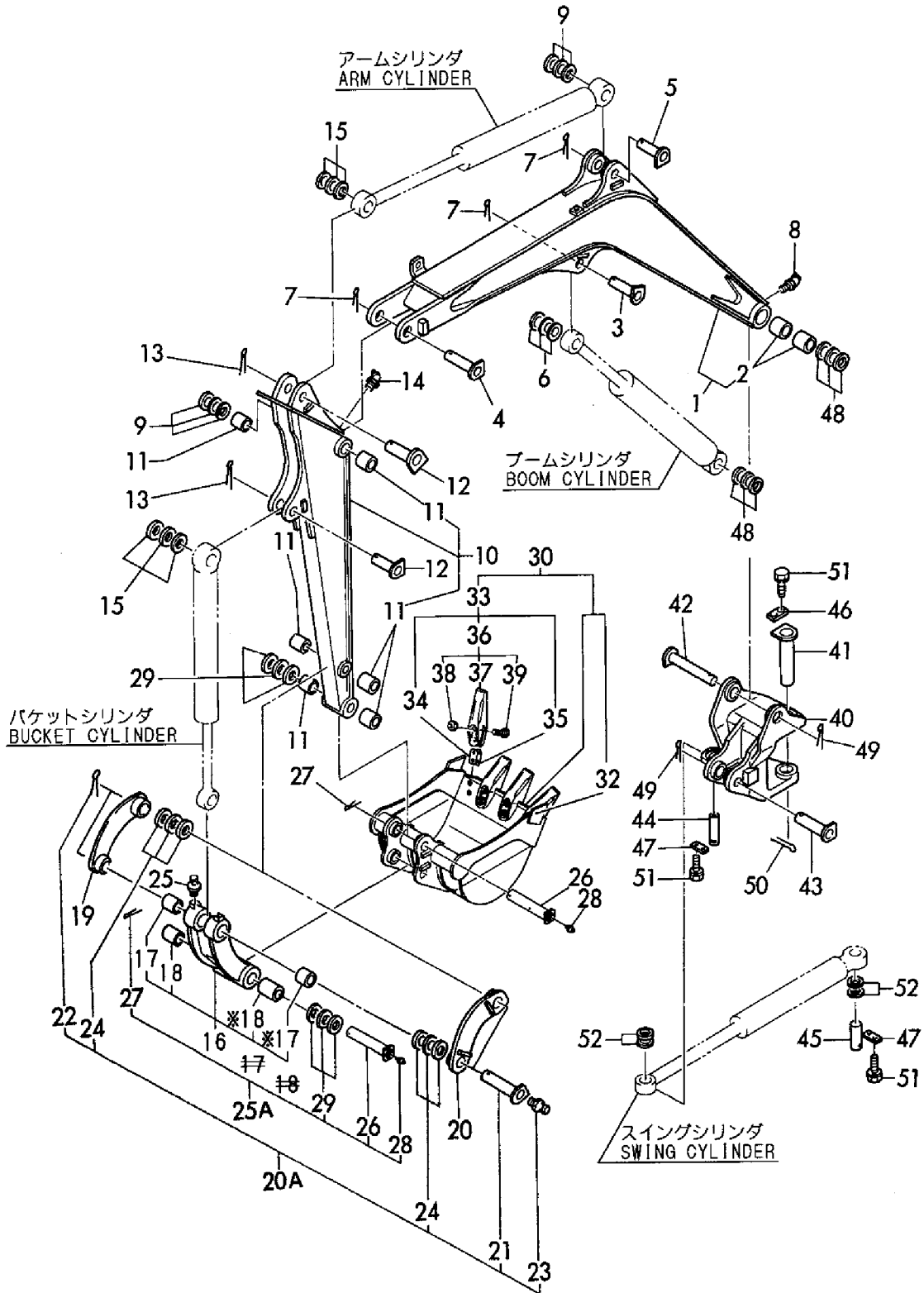
Fig. **55** フーム&バケット ((B12) (-1))
 BOOM & BUCKET ((B12) (-1))



※印が今回変更した箇所です。
 * MARKED PART HAS BEEN CHANGED.

1,1,,172149-81100,, "BOOM ASSY",,,1,,,,,,,,,,,,,
2,2,,172141-82270,, "BUSH 35 45",,,2,,,,,,,,,,,,,
3,1,,172149-81300,, PIN,,,,1,,,,,,,,,,,,,
4,1,,172149-81320,, PIN,,,,1,,,,,,,,,,,,,
5,1,,172137-81360,, "PIN 30-109, BOOM",,,1,,,,,,,,,,,,,
6,1,,172141-84600,, "SHIM 35",,,1,,,,,,,,,,,,,
7,1,,22417-800450,, "COTTER PIN 8.0X45",,,3,,,,,,,,,,,,,
8,1,,24761-020000,, "NIPPLE PT1/8,GREASE",,,1,,,,,,,,,,,,,
9,1,,933160-06710,, "SHIM 30, PIN ADJUST",,,2,,,,,,,,,,,,,
10,1,,172137-82101,, "ARM 950 ASSY",,,1,,,,,,,,,,,,,
11,2,,172137-81300,, "BUSH 30X45, PIN",,,6,,,,,,,,,,,,,
12,1,,172137-94250,, "PIN 30- 71",,,2,,,,,,,,,,,,,
13,1,,22417-800450,, "COTTER PIN 8.0X45",,,2,,,,,,,,,,,,,
14,1,,24761-040000,, "NIPPLE B,GREASE",,,1,,,,,,,,,,,,,
15,1,,933160-06710,, "SHIM 30, PIN ADJUST",,,2,,,,,,,,,,,,,
16,1,,172137-84401,, "LINK, BUCKET",,,1,,,,,,,,,,,,,
17,2,,172137-81300,, "BUSH 30X45, PIN",,,2,,,,,,,,,,,,,
18,2,,172137-84450,, "BUSH 30X11, PIN",,,2,,,,,,,,,,,,,
19,1,,172137-84502,, "ARM (L), BUCKET",,,1,,,,,,,,,,,,,
20,1,,172137-84512,, "ARM (R), BUCKET",,,1,,,,,,,,,,,,,
20A,1,,172137-99450,, "KIT, BUCKET PIN",,,2,,,,,,,,,,,,,
21,2,,172137-86250,, "PIN, BUCKET",,,2,,,,,,,,,,,,,
22,2,,22417-800450,, "COTTER PIN 8.0X45",,,2,,,,,,,,,,,,,
23,2,,24761-020000,, "NIPPLE PT1/8,GREASE",,,2,,,,,,,,,,,,,
24,2,,933160-06710,, "SHIM 30, PIN ADJUST",,,4,,,,,,,,,,,,,
25,1,,24761-020000,, "NIPPLE PT1/8,GREASE",,,2,,,,,,,,,,,,,
25A,1,,172137-99450,, "KIT, BUCKET PIN",,,2,,,,,,,,,,,,,
26,2,,172137-86250,, "PIN, BUCKET",,,2,,,,,,,,,,,,,
27,2,,22417-800450,, "COTTER PIN 8.0X45",,,2,,,,,,,,,,,,,
28,2,,24761-020000,, "NIPPLE PT1/8,GREASE",,,2,,,,,,,,,,,,,
29,2,,933160-06710,, "SHIM 30, PIN ADJUST",,,2,,,,,,,,,,,,,
30,1,,772137-86300,, "BUCKET ASSY",,,1,,,,,,,,,,,,,
32,3,,172137-86240,, "TEETH, SIDE",,,2,,,,,,,,,,,,,
33,2,,772137-86751,, "TEETH ASSY",,,4,,,,,,,,,,,,,
34,3,,172137-86700,, "SHIM 2.3, TEETH",,,4,,,,,,,,,,,,,
35,3,,172137-86710,, "TEETH SHIM 17 SET",,,4,,,,,,,,,,,,,
36,3,,172137-86751,, "TEETH ASSY",,,4,,,,,,,,,,,,,
37,4,,172141-86231,, TEETH,,,4,,,,,,,,,,,,,
38,4,,172137-86770,, BOLT,,,8,,,,,,,,,,,,,
39,4,,172137-86780,, NUT,,,8,,,,,,,,,,,,,
40,1,,172149-83100,, "BRACKET, BOOM",,,1,,,,,,,,,,,,,
41,1,,172149-83110,, PIN,,,1,,,,,,,,,,,,,
42,1,,172149-83130,, PIN,,,1,,,,,,,,,,,,,
43,1,,172149-83150,, PIN,,,1,,,,,,,,,,,,,
44,1,,172149-83170,, PIN,,,1,,,,,,,,,,,,,
45,1,,172149-83180,, PIN,,,1,,,,,,,,,,,,,
46,1,,172149-83190,, "PLATE, LOCK",,,1,,,,,,,,,,,,,
47,1,,172117-83970,, "PLATE(C),LOCK(YELLOW",,,2,,,,,,,,,,,,,
48,1,,172141-84600,, "SHIM 35",,,2,,,,,,,,,,,,,
49,1,,22417-800450,, "COTTER PIN 8.0X45",,,2,,,,,,,,,,,,,
50,1,,22417-800630,, "COTTER PIN 8.0X63",,,1,,,,,,,,,,,,,
51,1,,26013-100252,, "BOLT W/WASHER M10X25",,,6,,,,,,,,,,,,,
52,1,,933171-29750,, "SHIM SET, PIN 38",,,2,,,,,,,,,,,,,

Fig. **56** ブーム&バケット ((B17) (-1))
 BOOM & BUCKET ((B17) (-1))

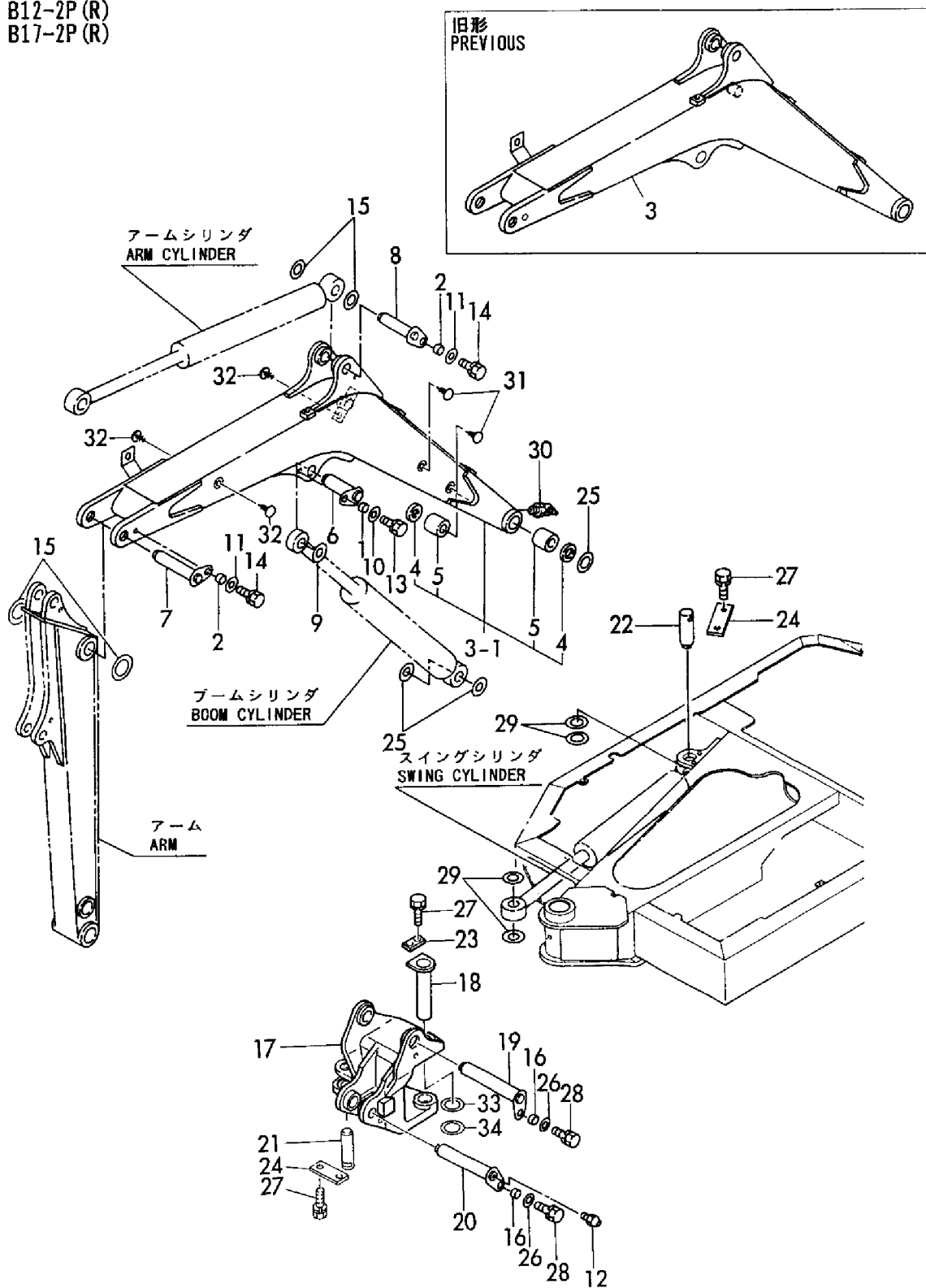


※印が今回変更した箇所です。
 * MARKED PART HAS BEEN CHANGED.

1,1,,172010-01640,,SPACER,,1,,1,1,,,,,,,,,,,,,
2,1,,172010-01640,,SPACER,,2,,2,2,,,,,,,,,,,,,
3,1,,172149-81101,,,"BOOM W/BUSH",,1,,1,1,,,,,,,,,,,,,
3-1,1,,172183-81100,,,"BOOM W/BUSH",,1,,1,1,S,,,,,*1995.10,,,,,*1995.10,,*1995.10
4,2,,172171-81280,,,"SEAL 35X45X4",,2,,2,2,,,,,,,,,,,,,
5,2,,172141-82270,,,"BUSH 35 45",,2,,2,2,,,,,,,,,,,,,
6,1,,172149-81301,,,"PIN 35X114 COMPL.",,1,,1,1,,,,,,,,,,,,,
7,1,,172149-81321,,,"PIN 30X148 COMPL.",,1,,1,1,,,,,,,,,,,,,
8,1,,172137-81361,,PIN,,1,,1,1,,,,,,,,,,,,,
9,1,,172141-84600,,,"SHIM 35",,1,,1,1,,,,,,,,,,,,,
9-1,1,,172141-84601,,,"SHIM 35",,1,,1,1,N,,,,,M20768,,,,,M20530,,M20530
10,1,,22157-100000,,,"WASHER 10",,1,,1,1,,,,,,,,,,,,,
11,1,,22157-100000,,,"WASHER 10",,2,,2,2,,,,,,,,,,,,,
12,1,,24761-020000,,,"NIPPLE PT1/8,GREASE",,1,,1,1,,,,,,,,,,,,,
13,1,,26013-100252,,,"BOLT W/WASHER M10X25",,1,,1,1,,,,,,,,,,,,,
14,1,,26013-100302,,,"BOLT M10X 30",,2,,2,2,,,,,,,,,,,,,
15,1,,933160-06710,,,"SHIM 30, PIN ADJUST",,2,,2,2,,,,,,,,,,,,,
15-1,1,,933160-06711,,,"SHIM 30, PIN
ADJUST",,2,,2,2,N,,,,,M20768,,,,,M20530,,M20530
16,1,,172010-01640,,SPACER,,2,,2,2,,,,,,,,,,,,,
17,1,,172149-83101,,,"BRACKET, BOOM",,1,,1,1,,,,,,,,,,,,,
18,1,,172149-83110,,PIN,,1,,1,1,,,,,,,,,,,,,
19,1,,172149-83131,,,"PIN 35X213 COMPL.",,1,,1,1,,,,,,,,,,,,,
20,1,,172149-83151,,PIN,,1,,1,1,,,,,,,,,,,,,
21,1,,172149-83170,,PIN,,1,,1,1,,,,,,,,,,,,,
22,1,,172149-83180,,PIN,,1,,1,1,,,,,,,,,,,,,
23,1,,172149-83190,,,"PLATE, LOCK",,1,,1,1,,,,,,,,,,,,,
24,1,,172117-83970,,,"PLATE(C),LOCK(YELLOW",,2,,2,2,,,,,,,,,,,,,
25,1,,172141-84600,,,"SHIM 35",,2,,2,2,,,,,,,,,,,,,
25-1,1,,172141-84601,,,"SHIM 35",,2,,2,2,N,,,,,M20768,,,,,M20530,,M20530
26,1,,22157-100000,,,"WASHER 10",,2,,2,2,,,,,,,,,,,,,
27,1,,26013-100252,,,"BOLT W/WASHER M10X25",,6,,6,6,,,,,,,,,,,,,
28,1,,26013-100252,,,"BOLT W/WASHER M10X25",,2,,2,2,,,,,,,,,,,,,
29,1,,933171-29750,,,"SHIM SET, PIN 38",,2,,2,2,,,,,,,,,,,,,
29-1,1,,933171-29751,,,"SHIM
SET,38X(0.8,1.2",,2,,2,2,N,,,,,M20768,,,,,M20530,,M20530
30,1,,24761-040000,,,"NIPPLE B,GREASE",,1,,1,1,,,,,,,,,,,,,
31,1,,172183-81160,,,"TREE CLIP",,2,,2,2,W,,,,,*1995.10,,,,,*1995.10,,*1995.10
32,1,,172183-81170,,,"TREE CLIP",,3,,3,3,W,,,,,*1995.10,,,,,*1995.10,,*1995.10
33,1,,172173-81720,,SHIM,,1,,1,1,W,,,,,*1995.10,,,,,*1995.10,,*1995.10
34,1,,172173-81730,,SHIM,,1,,1,1,W,,,,,*1995.10,,,,,*1995.10,,*1995.10

Fig. 57 ブーム&ブームブラケット (B12/17-2)
 BOOM & BOOM BRACKET (B12/17-2)

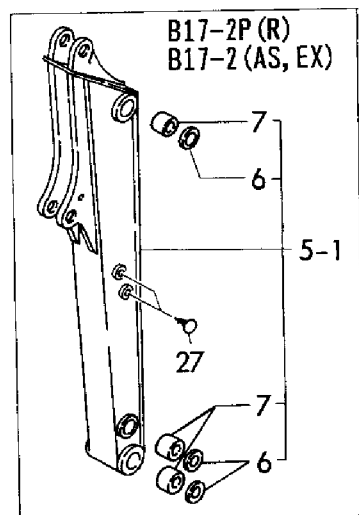
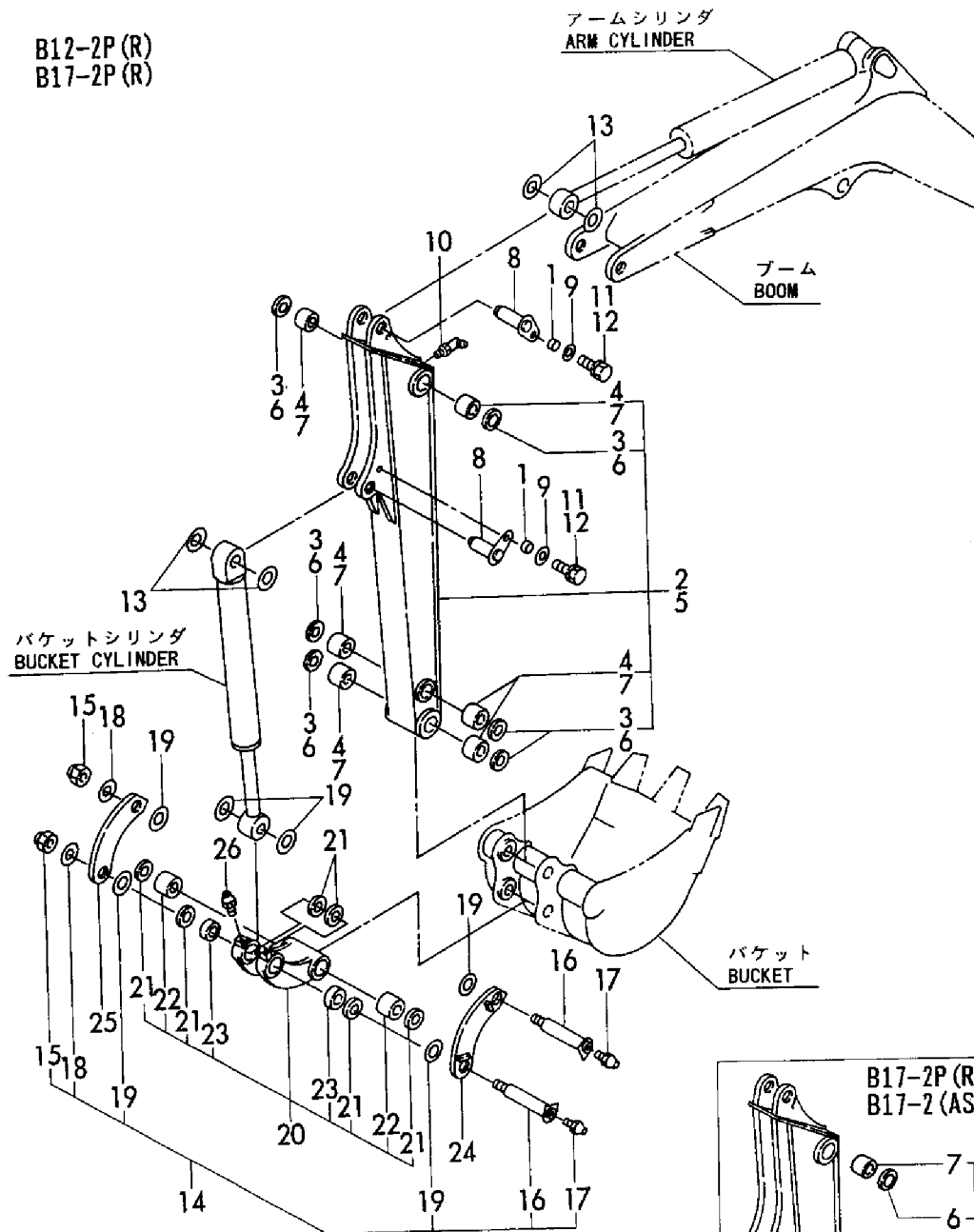
B12-2P (R)
 B17-2P (R)



1,1,,172010-01640,,SPACER,,2,,2,2,,,,,,,,,,,,,
2,1,,172138-82102,, "ARM W/BUSH",,1,,,,,,,,,,,,,
3,2,,172183-72290,, "SEAL 38X48X 4, DUST",,6,,,,,,,,,,,,,
4,2,,172137-81300,, "BUSH 30X45, PIN",,6,,,,,,,,,,,,,
5,1,,172183-82100,, "ARM 950 ASSY",,1,1,,,,,,,,,,,,,
5-1,1,,172183-82101,, "ARM 950 ASSY",,1,1,S,,,,,,,,,*1995.10,,*1995.10
6,2,,172183-72290,, "SEAL 38X48X 4, DUST",,6,6,,,,,,,,,,,,,
7,2,,172137-81300,, "BUSH 30X45, PIN",,6,6,,,,,,,,,,,,,
8,1,,172137-94251,, "PIN 30X76",,2,2,2,,,,,,,,,,,,,
9,1,,22157-100000,, "WASHER 10",,2,2,2,,,,,,,,,,,,,
10,1,,24761-040000,, "NIPPLE B,GREASE",,1,1,1,,,,,,,,,,,,,
11,1,,26013-100252,, "BOLT W/WASHER M10X25",,2,2,,,,,,,,,,,,,
12,1,,26013-100302,, "BOLT M10X 30",,2,,,,,,,,,,,,,
13,1,,933160-06710,, "SHIM 30, PIN ADJUST",,2,2,2,,,,,,,,,,,,,
13-1,1,,933160-06711,, "SHIM 30, PIN
ADJUST",,2,2,2,N,,,,,M20768,,,,M20530,,M20530
14,1,,172149-99470,, "KIT, ARM PIN",,2,2,2,,,,,,,,,,,,,
15,2,,172137-81380,, "NUT M16",,2,2,2,,,,,,,,,,,,,
16,2,,172149-83200,, "PIN 30X150 COMPL.",,2,2,2,,,,,,,,,,,,,
17,2,,24761-020000,, "NIPPLE PT1/8,GREASE",,2,2,2,,,,,,,,,,,,,
18,2,,933147-08501,, "WASHER 17X40X4.5",,2,2,2,,,,,,,,,,,,,
19,2,,933160-06710,, "SHIM 30, PIN ADJUST",,4,4,4,,,,,,,,,,,,,
19-1,2,,933160-06711,, "SHIM 30, PIN
ADJUST",,4,4,4,N,,,,,M20768,,,,M20530,,M20530
20,1,,172137-84403,, "LINK COMP.,BUCKET",,1,1,1,,,,,,,,,,,,,
21,2,,172183-72290,, "SEAL 38X48X 4, DUST",,6,6,6,,,,,,,,,,,,,
22,2,,172137-81300,, "BUSH 30X45, PIN",,2,2,2,,,,,,,,,,,,,
23,2,,172137-84451,, BUSH,,2,2,2,,,,,,,,,,,,,
24,1,,172137-84502,, "ARM (L), BUCKET",,1,1,1,,,,,,,,,,,,,
25,1,,172137-84512,, "ARM (R), BUCKET",,1,1,1,,,,,,,,,,,,,
26,1,,24761-020000,, "NIPPLE PT1/8,GREASE",,2,2,2,,,,,,,,,,,,,
27,1,,172183-81160,, "TREE CLIP",,4,4,W,,,,,,,,,*1995.10,,*1995.10

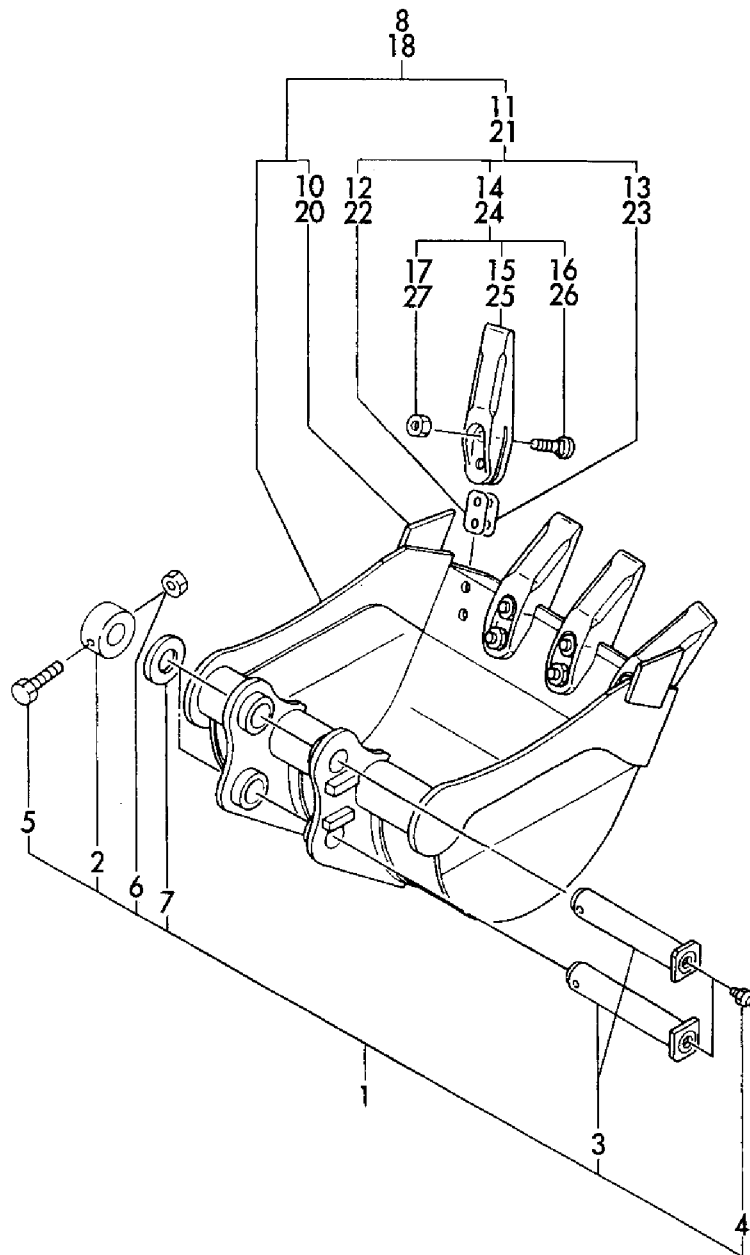
Fig. 58 アーム&バケットリンク (B12/17-2)
 ARM & BUCKET LINK (B12/17-2)

B12-2P (R)
 B17-2P (R)



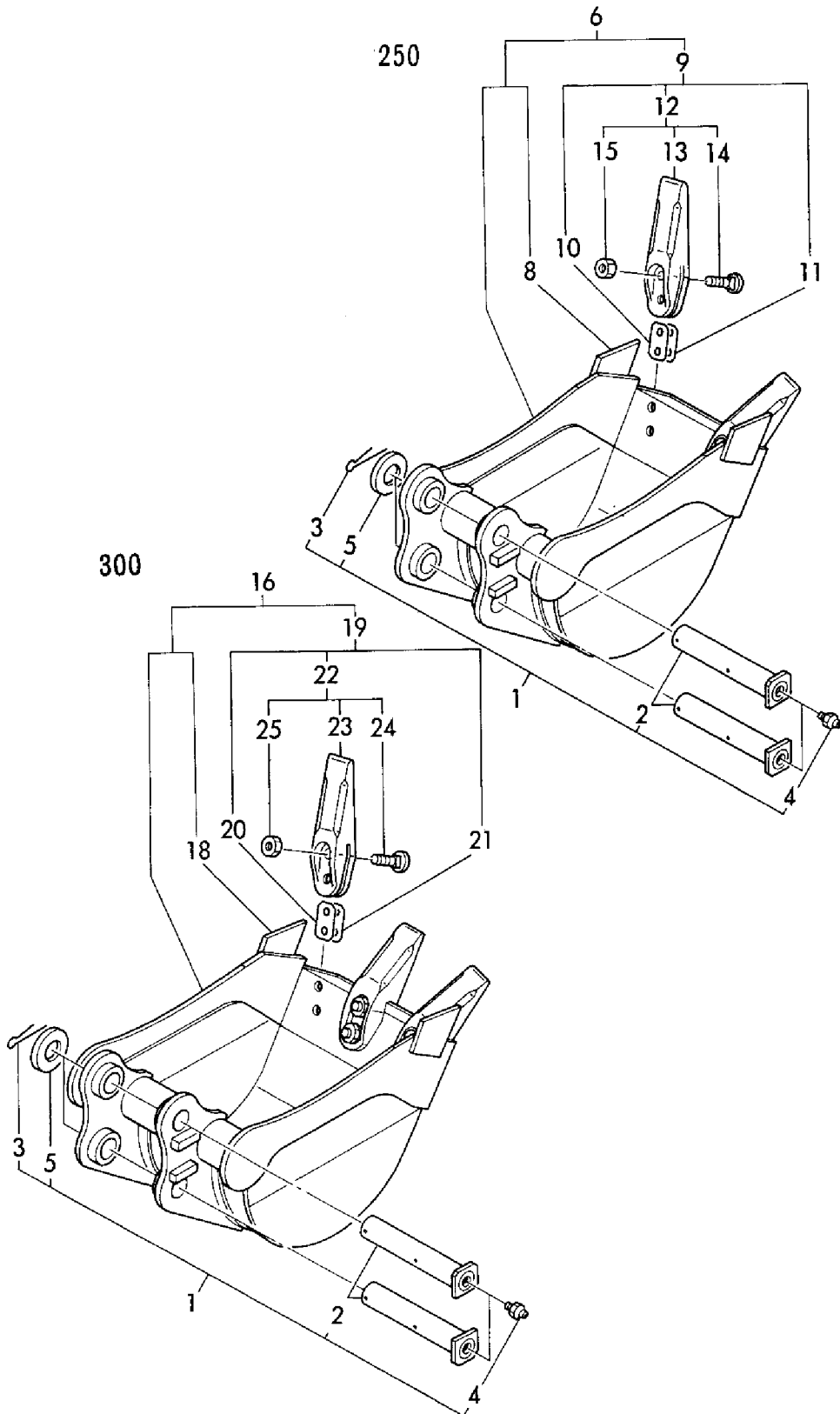
1,1,,172137-99451,, "PIN KIT, BUCKET",2,2,2,2,2,,,,,,,,,,,,,
2,2,,172149-83220,, "COLLAR,SHIFT",2,2,2,2,2,,,,,,,,,,,,,
3,2,,172137-86251,, "PIN, BUCKET",2,2,2,2,2,,,,,,,,,,,,,
4,2,,24761-020000,, "NIPPLE PT1/8,GREASE",2,2,2,2,2,,,,,,,,,,,,,
5,2,,26116-100602,, "BOLT M10X 60 PLATED",2,2,2,2,2,,,,,,,,,,,,,
6,2,,26716-100002,, "NUT M10",4,4,4,4,4,,,,,,,,,,,,,
7,2,,933160-06710,, "SHIM 30, PIN ADJUST",2,2,2,2,2,,,,,,,,,,,,,
7-1,2,,933160-06711,, "SHIM 30, PIN
ADJUST",2,2,2,2,2,N,,, *1994.03,,M20768,, *1994.03,,M20530,,M20530
8,1,,772137-86101,, "BUCKET ASSY",,1,1,1,1,,1,,,,,,,,,,,,,
10,2,,172137-86240,, "TEETH, SIDE",,2,2,2,2,,,,,,,,,,,,,
11,2,,772137-86751,, "TEETH ASSY",,3,3,3,3,,,,,,,,,,,,,
12,3,,172137-86700,, "SHIM 2.3, TEETH",,3,3,3,3,,,,,,,,,,,,,
13,3,,172137-86710,, "TEETH SHIM 17 SET",,3,3,3,3,,,,,,,,,,,,,
14,3,,172137-86751,, "TEETH ASSY",,3,3,3,3,,,,,,,,,,,,,
15,4,,172141-86231,, TEETH,,3,3,3,3,,,,,,,,,,,,,
16,4,,172137-86770,, BOLT,,6,6,6,6,,,,,,,,,,,,,
17,4,,172137-86780,, NUT,,6,6,6,6,,,,,,,,,,,,,
18,1,,772137-86301,, "BUCKET ASSY (450)",1,1,,1,1,,2,,,,,,,,,,,,,
20,2,,172137-86240,, "TEETH, SIDE",2,2,,2,2,,,,,,,,,,,,,
21,2,,772137-86751,, "TEETH ASSY",4,4,,4,4,,,,,,,,,,,,,
22,3,,172137-86700,, "SHIM 2.3, TEETH",4,4,,4,4,,,,,,,,,,,,,
23,3,,172137-86710,, "TEETH SHIM 17 SET",4,4,,4,4,,,,,,,,,,,,,
24,3,,172137-86751,, "TEETH ASSY",4,4,,4,4,,,,,,,,,,,,,
25,4,,172141-86231,, TEETH,4,4,,4,4,,,,,,,,,,,,,
26,4,,172137-86770,, BOLT,8,8,,8,8,,,,,,,,,,,,,
27,4,,172137-86780,, NUT,8,8,,8,8,,,,,,,,,,,,,

Fig. 59 バケツ (400) (450)
BUCKET (400) (450)



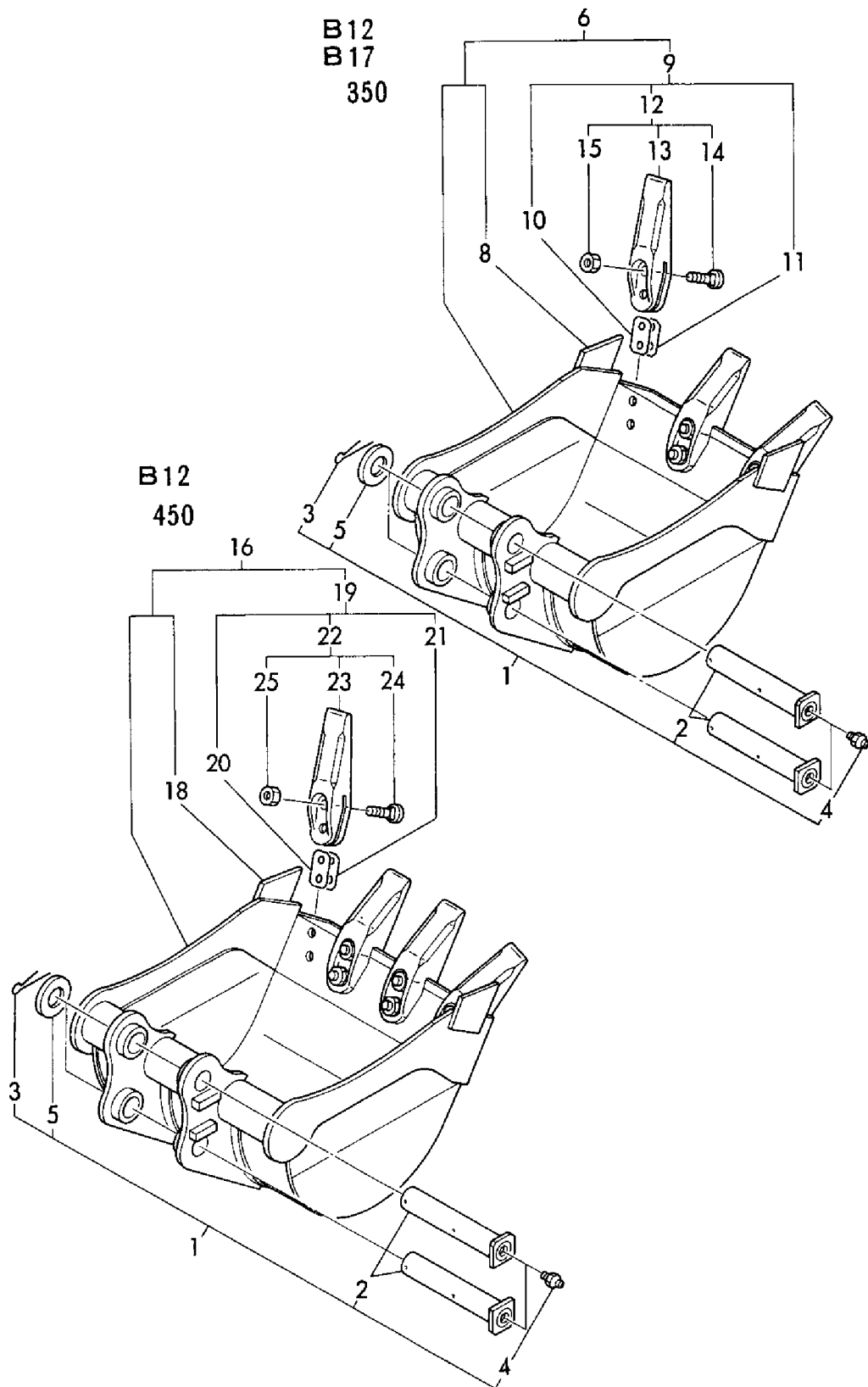
1,1,,172137-99450,, "KIT, BUCKET PIN",2,,2,,,,,,,,,,,,,,,,,,,,,
2,2,,172137-86250,, "PIN, BUCKET",2,,2,,,,,,,,,,,,,,,,,,,,,
3,2,,22417-800450,, "COTTER PIN 8.0X45",2,,2,,,,,,,,,,,,,,,,,,,,,
4,2,,24761-020000,, "NIPPLE PT1/8,GREASE",2,,2,,,,,,,,,,,,,,,,,,,,,
5,2,,933160-06710,, "SHIM 30, PIN ADJUST",2,,2,,,,,,,,,,,,,,,,,,,,,
6,1,,772137-86400,, "BUCKET ASSY",1,,1,,,,,,,,,,,,,,,,,,,,,
8,3,,172137-86240,, "TEETH, SIDE",2,,2,,,,,,,,,,,,,,,,,,,,,
9,2,,772137-86750,, "TEETH ASSY",2,,2,,,,,,,,,,,,,,,,,,,,,
10,3,,172137-86700,, "SHIM 2.3, TEETH",2,,2,,,,,,,,,,,,,,,,,,,,,
11,3,,172137-86710,, "TEETH SHIM 17 SET",2,,2,,,,,,,,,,,,,,,,,,,,,
12,3,,172137-86750,, "THEETH W/BOLT & NUT",2,,2,,,,,,,,,,,,,,,,,,,,,
13,4,,172141-86231,, "TEETH",2,,2,,,,,,,,,,,,,,,,,,,,,
14,4,,172137-86770,, "BOLT",4,,4,,,,,,,,,,,,,,,,,,,,,
15,4,,172137-86780,, "NUT",4,,4,,,,,,,,,,,,,,,,,,,,,
16,1,,772137-86500,, "BUCKET ASSY",1,,1,,,,,,,,,,,,,,,,,,,,,
18,3,,172137-86240,, "TEETH, SIDE",2,,2,,,,,,,,,,,,,,,,,,,,,
19,2,,772137-86750,, "TEETH ASSY",3,,3,,,,,,,,,,,,,,,,,,,,,
20,3,,172137-86700,, "SHIM 2.3, TEETH",3,,3,,,,,,,,,,,,,,,,,,,,,
21,3,,172137-86710,, "TEETH SHIM 17 SET",3,,3,,,,,,,,,,,,,,,,,,,,,
22,3,,172137-86750,, "THEETH W/BOLT & NUT",3,,3,,,,,,,,,,,,,,,,,,,,,
23,4,,172141-86231,, "TEETH",3,,3,,,,,,,,,,,,,,,,,,,,,
24,4,,172137-86770,, "BOLT",6,,6,,,,,,,,,,,,,,,,,,,,,
25,4,,172137-86780,, "NUT",6,,6,,,,,,,,,,,,,,,,,,,,,

Fig. 60 バケット250, 300 (アタッチメント) (旧形)
BUCKET 250, 300 (ATTACHMENT) (PREVIOUS)



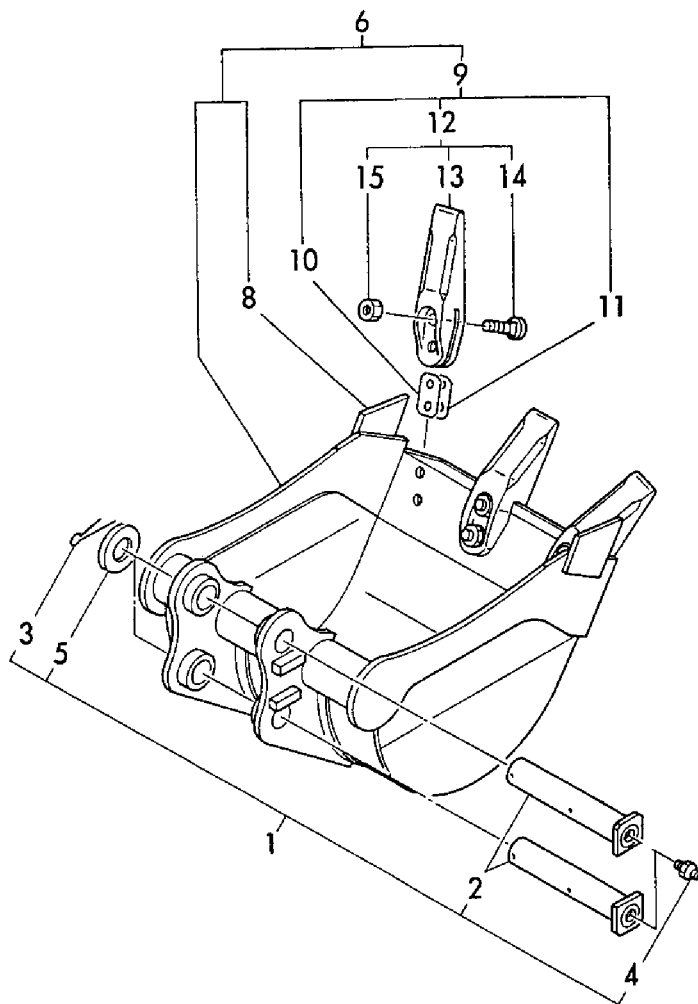
1,1,,172137-99450,, "KIT, BUCKET PIN",2,,2,,,,,,,,,,,,,,,,,,,,,
2,2,,172137-86250,, "PIN, BUCKET",2,,2,,,,,,,,,,,,,,,,,,,,,
3,2,,22417-800450,, "COTTER PIN 8.0X45",2,,2,,,,,,,,,,,,,,,,,,,,,
4,2,,24761-020000,, "NIPPLE PT1/8,GREASE",2,,2,,,,,,,,,,,,,,,,,,,,,
5,2,,933160-06710,, "SHIM 30, PIN ADJUST",2,,2,,,,,,,,,,,,,,,,,,,,,
6,1,,772137-86600,, "BUCKET ASSY",1,,1,,,,,,,,,,,,,,,,,,,,,
8,3,,172137-86240,, "TEETH, SIDE",2,,2,,,,,,,,,,,,,,,,,,,,,
9,2,,772137-86750,, "TEETH ASSY",3,,3,,,,,,,,,,,,,,,,,,,,,
10,3,,172137-86700,, "SHIM 2.3, TEETH",3,,3,,,,,,,,,,,,,,,,,,,,,
11,3,,172137-86710,, "TEETH SHIM 17 SET",3,,3,,,,,,,,,,,,,,,,,,,,,
12,3,,172137-86750,, "THEETH W/BOLT & NUT",3,,3,,,,,,,,,,,,,,,,,,,,,
13,4,,172141-86231,, "TEETH",3,,3,,,,,,,,,,,,,,,,,,,,,
14,4,,172137-86770,, "BOLT",6,,6,,,,,,,,,,,,,,,,,,,,,
15,4,,172137-86780,, "NUT",6,,6,,,,,,,,,,,,,,,,,,,,,
16,1,,772137-86300,, "BUCKET ASSY",1,,,,,,,,,,,,,,,,,,,,,
18,3,,172137-86240,, "TEETH, SIDE",2,,,,,,,,,,,,,,,,,,,,,
19,2,,772137-86750,, "TEETH ASSY",4,,,,,,,,,,,,,,,,,,,,,
20,3,,172137-86700,, "SHIM 2.3, TEETH",4,,,,,,,,,,,,,,,,,,,,,
21,3,,172137-86710,, "TEETH SHIM 17 SET",4,,,,,,,,,,,,,,,,,,,,,
22,3,,172137-86750,, "THEETH W/BOLT & NUT",4,,,,,,,,,,,,,,,,,,,,,
23,4,,172141-86231,, "TEETH",4,,,,,,,,,,,,,,,,,,,,,
24,4,,172137-86770,, "BOLT",8,,,,,,,,,,,,,,,,,,,,,
25,4,,172137-86780,, "NUT",8,,,,,,,,,,,,,,,,,,,,,

Fig. 61 バケット350, 450 (アタッチメント) (旧形)
 BUCKET 350, 450 (ATTACHMENT) (PREVIOUS)



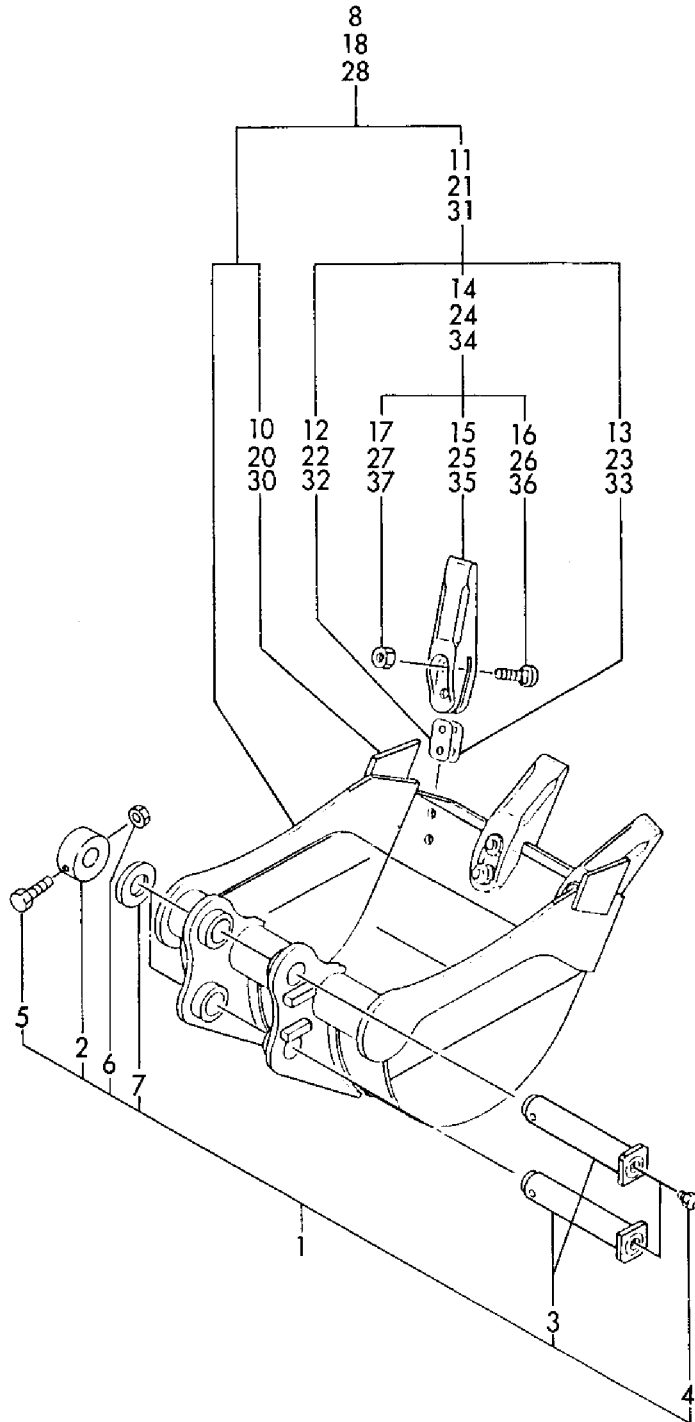
1,1,,172137-99450,, "KIT, BUCKET PIN" ,,,2,,,,,,,,,,,,,,,,,
2,2,,172137-86250,, "PIN, BUCKET" ,,,2,,,,,,,,,,,,,,,,,
3,2,,22417-800450,, "COTTER PIN 8.0X45" ,,,2,,,,,,,,,,,,,,,,,
4,2,,24761-020000,, "NIPPLE PT1/8,GREASE" ,,,2,,,,,,,,,,,,,,,,,
5,2,,933160-06710,, "SHIM 30, PIN ADJUST" ,,,2,,,,,,,,,,,,,,,,,
6,1,,772137-86100,, "BUCKET ASSY (400" ,,,1,,,,,,,,,,,,,,,,,
8,3,,172137-86240,, "TEETH, SIDE" ,,,2,,,,,,,,,,,,,,,,,
9,2,,772137-86750,, "TEETH ASSY" ,,,3,,,,,,,,,,,,,,,,,
10,3,,172137-86700,, "SHIM 2.3, TEETH" ,,,3,,,,,,,,,,,,,,,,,
11,3,,172137-86710,, "TEETH SHIM 17 SET" ,,,3,,,,,,,,,,,,,,,,,
12,3,,172137-86750,, "THEETH W/BOLT & NUT" ,,,3,,,,,,,,,,,,,,,,,
13,4,,172141-86231,, "TEETH" ,,,3,,,,,,,,,,,,,,,,,
14,4,,172137-86770,, "BOLT" ,,,6,,,,,,,,,,,,,,,,,
15,4,,172137-86780,, "NUT" ,,,6,,,,,,,,,,,,,,,,

Fig. 62 バケット400 (アタッチメント) (旧形)
BUCKET400 (ATTACHMENT) (PREVIOUS)



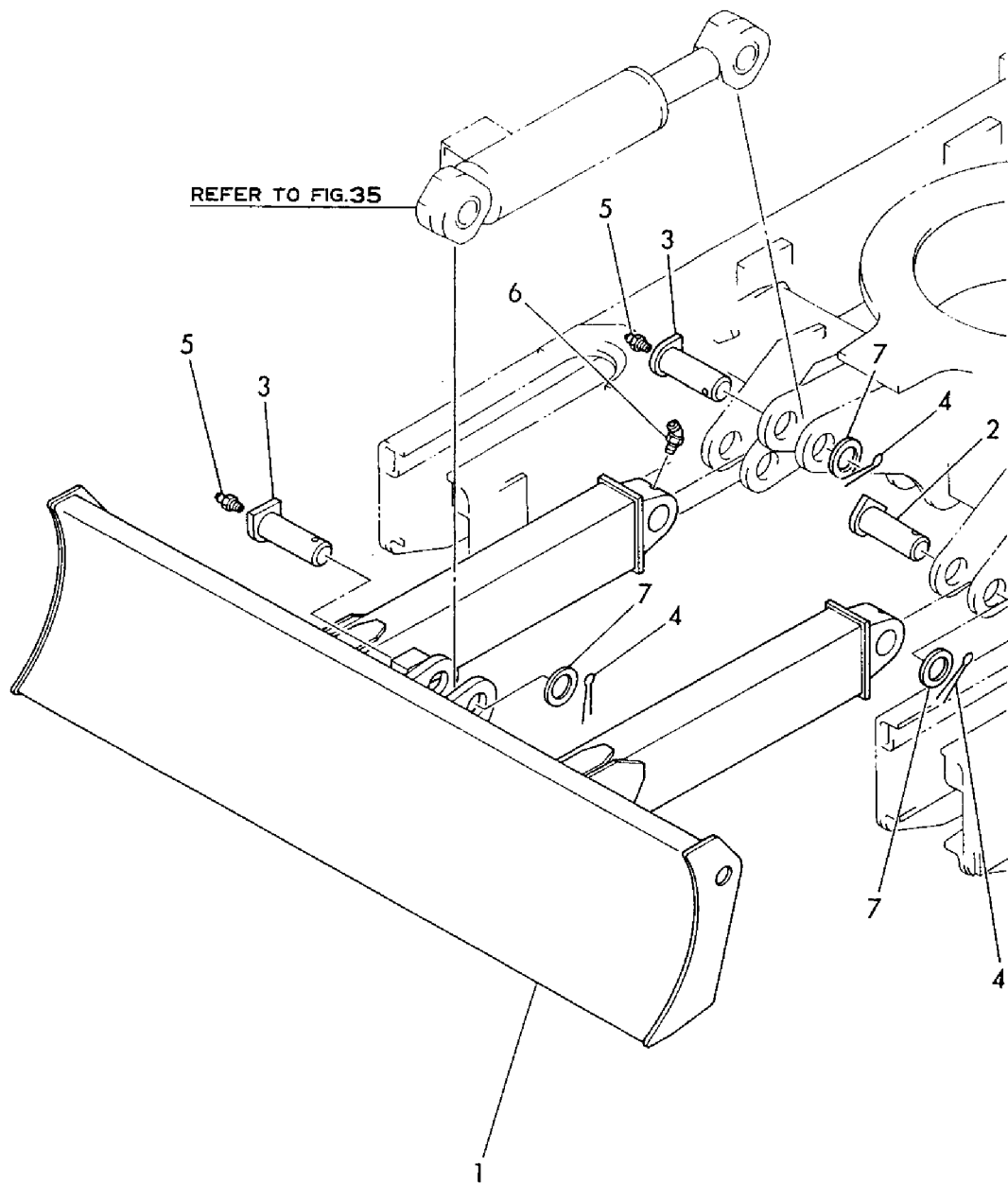
1,1,,172137-99451,, "PIN KIT, BUCKET",2,2,2,2,2,,,,,,,,,,,,,
2,2,,172149-83220,, "COLLAR,SHIFT",2,2,2,2,2,,,,,,,,,,,,,
3,2,,172137-86251,, "PIN, BUCKET",2,2,2,2,2,,,,,,,,,,,,,
4,2,,24761-020000,, "NIPPLE PT1/8,GREASE",2,2,2,2,2,,,,,,,,,,,,,
5,2,,26116-100602,, "BOLT M10X 60 PLATED",2,2,2,2,2,,,,,,,,,,,,,
6,2,,26716-100002,, "NUT M10",4,4,4,4,4,,,,,,,,,,,,,
7,2,,933160-06710,, "SHIM 30, PIN ADJUST",2,2,2,2,2,,,,,,,,,,,,,
8,1,,772137-86601,, "BUCKET ASSY",1,1,1,1,1,,,,,,,,,,,,,
10,3,,172137-86240,, "TEETH, SIDE",2,2,2,2,2,,,,,,,,,,,,,
11,2,,772137-86751,, "TEETH ASSY",3,3,3,3,3,,,,,,,,,,,,,
12,3,,172137-86700,, "SHIM 2.3, TEETH",3,3,3,3,3,,,,,,,,,,,,,
13,3,,172137-86710,, "TEETH SHIM 17 SET",3,3,3,3,3,,,,,,,,,,,,,
14,3,,172137-86751,, "TEETH ASSY",3,3,3,3,3,,,,,,,,,,,,,
15,4,,172141-86231,, TEETH,3,3,3,3,3,,,,,,,,,,,,,
16,2,,172137-86770,, BOLT,6,6,6,6,6,,,,,,,,,,,,,
17,2,,172137-86780,, NUT,6,6,6,6,6,,,,,,,,,,,,,
18,1,,772137-86501,, "BUCKET ASSY 300",1,1,1,1,1,,,,,,,,,,,,,
20,3,,172137-86240,, "TEETH, SIDE",2,2,2,2,2,,,,,,,,,,,,,
21,2,,772137-86751,, "TEETH ASSY",3,3,3,3,3,,,,,,,,,,,,,
22,3,,172137-86700,, "SHIM 2.3, TEETH",3,3,3,3,3,,,,,,,,,,,,,
23,3,,172137-86710,, "TEETH SHIM 17 SET",3,3,3,3,3,,,,,,,,,,,,,
24,3,,172137-86751,, "TEETH ASSY",3,3,3,3,3,,,,,,,,,,,,,
25,4,,172141-86231,, TEETH,3,3,3,3,3,,,,,,,,,,,,,
26,4,,172137-86770,, BOLT,6,6,6,6,6,,,,,,,,,,,,,
27,4,,172137-86780,, NUT,6,6,6,6,6,,,,,,,,,,,,,
28,1,,772137-86401,, "BUCKET ASSY 250",1,1,1,1,1,,,,,,,,,,,,,
30,3,,172137-86240,, "TEETH, SIDE",2,2,2,2,2,,,,,,,,,,,,,
31,2,,772137-86751,, "TEETH ASSY",2,2,2,2,2,,,,,,,,,,,,,
32,3,,172137-86700,, "SHIM 2.3, TEETH",2,2,2,2,2,,,,,,,,,,,,,
33,3,,172137-86710,, "TEETH SHIM 17 SET",2,2,2,2,2,,,,,,,,,,,,,
34,3,,172137-86751,, "TEETH ASSY",2,2,2,2,2,,,,,,,,,,,,,
35,4,,172141-86231,, TEETH,2,2,2,2,2,,,,,,,,,,,,,
36,4,,172137-86770,, BOLT,4,4,4,4,4,,,,,,,,,,,,,
37,4,,172137-86780,, NUT,4,4,4,4,4,,,,,,,,,,,,,

Fig. **63** バケツ250, 300, 350 (アタッチメント) (新形)
 BUCKET 250, 300, 350 (ATTACHMENT) (NEW)



1,1,,172137-94100,, "BLADE ASSY",1,,1,,,,,,,,,,,,,
2,1,,172137-94250,, "PIN 30- 71",2,,2,,,,,,,,,,,,,
3,1,,172137-94270,, "PIN 30-71B, BLADE",2,,2,,,,,,,,,,,,,
4,1,,22417-800450,, "COTTER PIN 8.0X45",4,,4,,,,,,,,,,,,,
5,1,,24761-020000,, "NIPPLE PT1/8,GREASE",2,,2,,,,,,,,,,,,,
6,1,,24761-040000,, "NIPPLE B,GREASE",2,,2,,,,,,,,,,,,,
7,1,,933160-06710,, "SHIM 30, PIN ADJUST",2,,2,,,,,,,,,,,,,

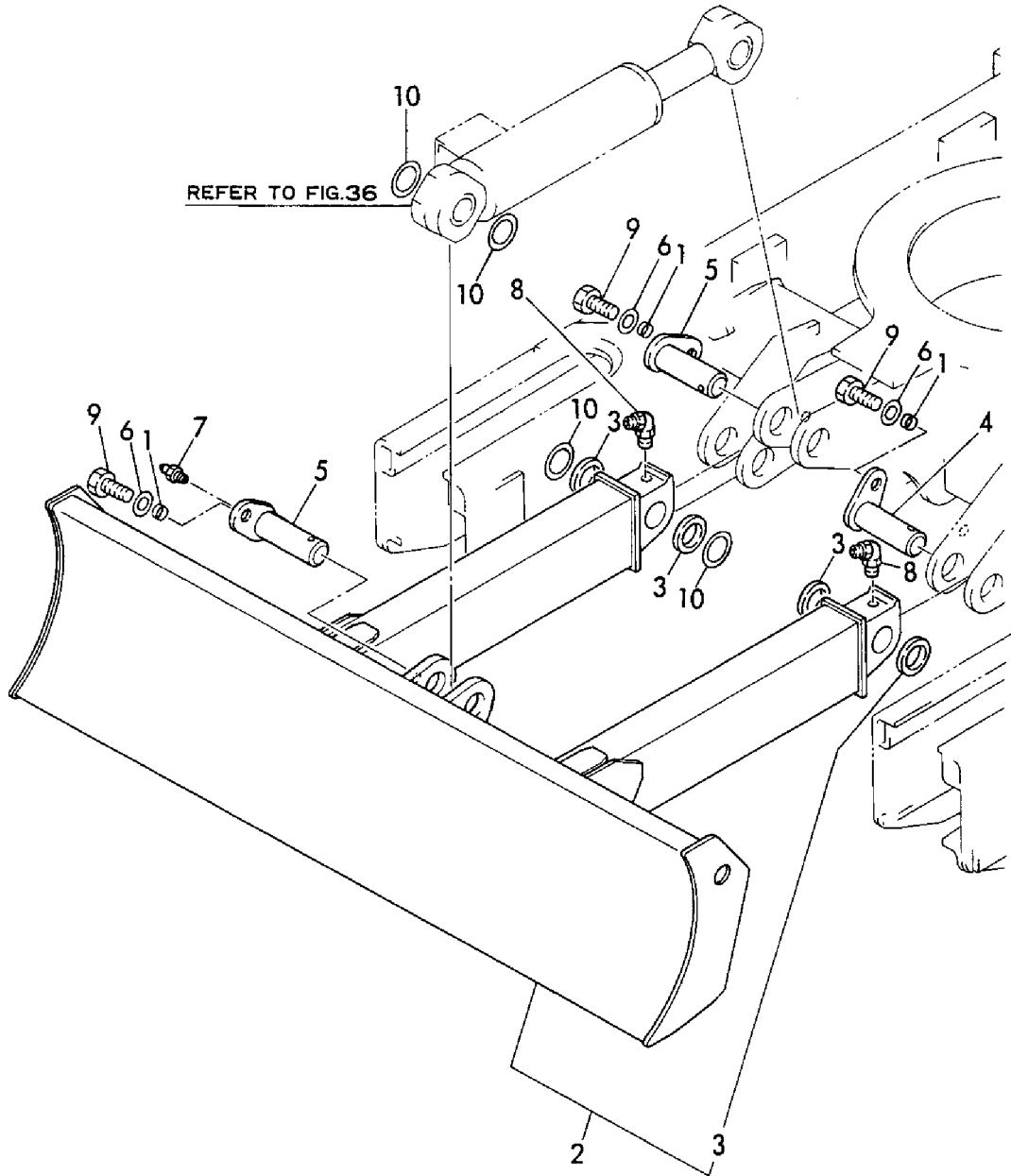
Fig. 64 ブレード (B12/17 (-1))
BLADE (B12/17 (-1))



1,1,,172010-01640,,SPACER,,4,,4,4,,,,,,,,,,,,,
2,1,,172137-94101,, "BLADE ASSY" ,,1,,1,1,,,,,,,,,,,,,
3,2,,172183-72290,, "SEAL 38X48X 4, DUST" ,,4,,4,4,,,,,,,,,,,,,
4,1,,172137-94251,, "PIN 30X76" ,,2,,2,2,,,,,,,,,,,,,
5,1,,172137-94271,,PIN,,2,,2,2,,,,,,,,,,,,,
6,1,,22157-100000,, "WASHER 10" ,,4,,4,4,,,,,,,,,,,,,
7,1,,24761-020000,, "NIPPLE PT1/8,GREASE" ,,2,,2,2,,,,,,,,,,,,,
8,1,,24761-040000,, "NIPPLE B,GREASE" ,,2,,2,2,,,,,,,,,,,,,
9,1,,26013-100302,, "BOLT M10X 30" ,,4,,4,4,,,,,,,,,,,,,
10,1,,933160-06710,, "SHIM 30, PIN ADJUST" ,,2,,2,2,,,,,,,,,,,,,
10-1,1,,933160-06711,, "SHIM 30, PIN
ADJUST" ,,4,,4,4,,N,,,,,M20768,,,,M20530,,M20530

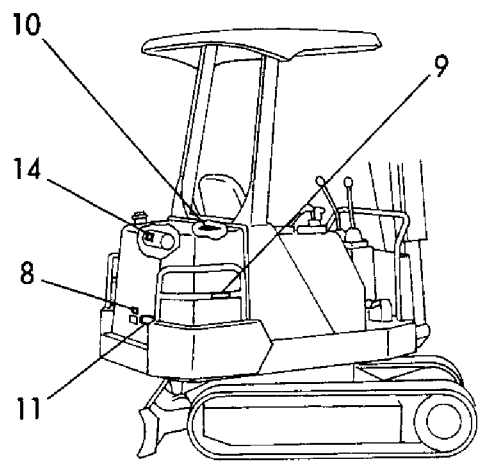
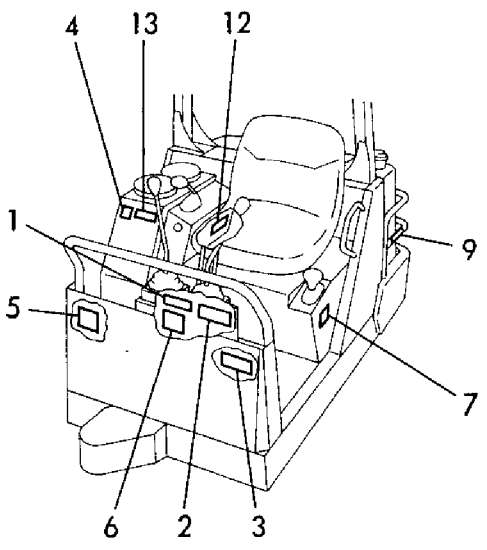
Fig. 65 ブレード (B12/17-2)
BLADE (B12/17-2)

B12-2P (R)
B17-2P (R)



1,1,,172964-03610,, "LABEL A" , ,1,1,,,,,,,,,,,,,
2,1,,172164-03500,, LABEL, ,1,1,,,,,,,,,,,,,
3,1,,172164-03540,, LABEL, ,1,1,,,,,,,,,,,,,
4,1,,172141-03182,, LABEL, ,1,1,,,,,,,,,,,,,
5,1,,172164-03510,, LABEL, ,1,1,,,,,,,,,,,,,
6,1,,172164-03520,, LABEL, ,1,1,,,,,,,,,,,,,
7,1,,172964-03390,, LABEL, ,1,1,,,,,,,,,,,,,
8,1,,172519-04180,, LABEL, ,1,1,,,,,,,,,,,,,
9,1,,172141-03372,, LABEL, ,2,2,,,,,,,,,,,,,
10,1,,172519-04300,, LABEL, ,1,1,,,,,,,,,,,,,
11,1,,172156-03280,, LABEL, ,1,1,,,,,,,,,,,,,
12,1,,172165-03661,, LABEL, ,1,1,,,,,,,,,,,,,
13,1,,172142-03302,, LABEL, ,1,1,,,,,,,,,,,,,
14,1,,172141-03202,, LABEL, ,1,1,,,,,,,,,,,,,
15,1,,172964-03480,, LABEL, ,1,1,,,,,,,,,,,,,
15-1,1,,172964-03481,, LABEL, ,1,1,,N,,,,,*1995.07,,,,*1995.07,,

Fig. 66 安全銘板 SAFETY LABEL



安全銘板の貼付け位置は、取扱説明書をご参照下さい。

1

2

3

4

5

6

7

8

9

10

11

12

13

14

15

15-1

取説収納庫内在中
IN THE OPERATION
MANUAL CASE

0,Y00K2492
1,001,, "VEHICLE B12/17(-1)(-2)"
2,1,, LABEL(B12/17(-1)), B12(-1)P(R), B12-2P(R), B17(-1)P(R), B17-2P(R), "B17-2(AS,EX)"
2,2,, LABEL(B12/17-2), B12(-1)P(R), B12-2P(R), B17(-1)P(R), B17-2P(R), "B17-2(AS,EX)"
2,3,, "LABEL(B17-2(AS,EX))", B12(-1)P(R), B12-2P(R), B17(-1)P(R), B17-2P(R), "B17-2(AS,EX)"
2,4,, TOOL, B12(-1)P(R), B12-2P(R), B17(-1)P(R), B17-2P(R), "B17-2(AS,EX)"
2,5,, "INLETHOUSE & EXHAUST PIPE", B12(-1)P(R), B12-2P(R), B17(-1)P(R), B17-2P(R), "B17-2(AS,EX)"
2,6,, ACCELERATOR, B12(-1)P(R), B12-2P(R), B17(-1)P(R), B17-2P(R), "B17-2(AS,EX)"
2,7,, "ENGINE MOUNT & RADIATOR", B12(-1)P(R), B12-2P(R), B17(-1)P(R), B17-2P(R), "B17-2(AS,EX)"
2,8,, "FUEL TANK & FUEL LINE", B12(-1)P(R), B12-2P(R), B17(-1)P(R), B17-2P(R), "B17-2(AS,EX)"
2,9,, BATTERY, B12(-1)P(R), B12-2P(R), B17(-1)P(R), B17-2P(R), "B17-2(AS,EX)"
2,10,, "ELECTRIC PART", B12(-1)P(R), B12-2P(R), B17(-1)P(R), B17-2P(R), "B17-2(AS,EX)"
2,11,, "WORK LAMP", B12(-1)P(R), B12-2P(R), B17(-1)P(R), B17-2P(R), "B17-2(AS,EX)"
2,12,, "TRACK ROLLER", B12(-1)P(R), B12-2P(R), B17(-1)P(R), B17-2P(R), "B17-2(AS,EX)"
2,13,, "TRACK FRAME & IDLER", B12(-1)P(R), B12-2P(R), B17(-1)P(R), B17-2P(R), "B17-2(AS,EX)"
2,14,, CRAWLER, B12(-1)P(R), B12-2P(R), B17(-1)P(R), B17-2P(R), "B17-2(AS,EX)"
2,15,, "LINK STAND", B12(-1)P(R), B12-2P(R), B17(-1)P(R), B17-2P(R), "B17-2(AS,EX)"
2,16,, "CONTROL EQUIPMENT(BOOM&BUCKET)", B12(-1)P(R), B12-2P(R), B17(-1)P(R), B17-2P(R), "B17-2(AS,EX)"
2,17,, "CONTROL EQUIPMENT(ARM&TURNING)", B12(-1)P(R), B12-2P(R), B17(-1)P(R), B17-2P(R), "B17-2(AS,EX)"
2,18,, "CONTROL EQUIPMENT(TRAVEL&SWING)", B12(-1)P(R), B12-2P(R), B17(-1)P(R), B17-2P(R), "B17-2(AS,EX)"
2,19,, "CONTROL EQUIPMENT(BLADE)", B12(-1)P(R), B12-2P(R), B17(-1)P(R), B17-2P(R), "B17-2(AS,EX)"
2,20,, "OPERATION LEVER STOPPER", B12(-1)P(R), B12-2P(R), B17(-1)P(R), B17-2P(R), "B17-2(AS,EX)"
2,21,, "TURNING FRAME", B12(-1)P(R), B12-2P(R), B17(-1)P(R), B17-2P(R), "B17-2(AS,EX)"
2,22,, "TURNING BEARING", B12(-1)P(R), B12-2P(R), B17(-1)P(R), B17-2P(R), "B17-2(AS,EX)"
2,23,, BONNET, B12(-1)P(R), B12-2P(R), B17(-1)P(R), B17-2P(R), "B17-2(AS,EX)"
2,24,, "SEAT & STEP(B12/17(-1))", B12(-1)P(R), B12-2P(R), B17(-1)P(R), B17-2P(R), "B17-2(AS,EX)"
2,25,, "SEAT & STEP(B12/17-2)", B12(-1)P(R), B12-2P(R), B17(-1)P(R), B17-2P(R), "B17-2(AS,EX)"
2,26,, CANOPY, B12(-1)P(R), B12-2P(R), B17(-1)P(R), B17-2P(R), "B17-2(AS,EX)"
2,27,, "BOOM CYLINDER(B12/17(-1))", B12(-1)P(R), B12-2P(R), B17(-1)P(R), B17-2P(R), "B17-2(AS,EX)"
2,28,, "BOOM CYLINDER(B12/17-2)", B12(-1)P(R), B12-2P(R), B17(-1)P(R), B17-2P(R), "B17-2(AS,EX)"
2,29,, "ARM CYLINDER(B12/17(-1))", B12(-1)P(R), B12-2P(R), B17(-1)P(R), B17-2P(R), "B17-2(AS,EX)"
2,30,, "ARM CYLINDER(B12/17-2)", B12(-1)P(R), B12-2P(R), B17(-1)P(R), B17-2P(R), "B17-2(AS,EX)"
2,31,, "BUCKET CYLINDER(B12/17(-1))", B12(-1)P(R), B12-2P(R), B17(-1)P(R), B17-2P(R), "B17-2(AS,EX)"
2,32,, "BUCKET CYLINDER(B12/17-2)", B12(-1)P(R), B12-2P(R), B17(-1)P(R), B17-2P(R), "B17-2(AS,EX)"
2,33,, "SWING CYLINDER(B12/17(-1))", B12(-1)P(R), B12-2P(R), B17(-1)P(R), B17-2P(R), "B17-2(AS,EX)"
2,34,, "SWING CYLINDER(B12/17-2)", B12(-1)P(R), B12-2P(R), B17(-1)P(R), B17-2P(R), "B17-2(AS,EX)"
2,35,, "BLADE CYLINDER(B12/17(-1))", B12(-1)P(R), B12-2P(R), B17(-1)P(R), B17-2P(R), "B17-2(AS,EX)"
2,36,, "BLADE CYLINDER(B12/17-2)", B12(-1)P(R), B12-2P(R), B17(-1)P(R), B17-2P(R), "B17-2(AS,EX)"

2,37,, "HYD. OIL PUMP & JOINT", B12(-1)P(R), B12-2P(R), B17(-1)P(R), B17-2P(R), "B17-2(AS,EX) "

2,38,, "TURNING MOTOR", B12(-1)P(R), B12-2P(R), B17(-1)P(R), B17-2P(R), "B17-2(AS,EX) "

2,39,, "TRAVEL MOTOR", B12(-1)P(R), B12-2P(R), B17(-1)P(R), B17-2P(R), "B17-2(AS,EX) "

2,40,, "SWIVEL JOINT", B12(-1)P(R), B12-2P(R), B17(-1)P(R), B17-2P(R), "B17-2(AS,EX) "

2,41,, "CONTROL VALVE (TRAVEL, TURNING)", B12(-1)P(R), B12-2P(R), B17(-1)P(R), B17-2P(R), "B17-2(AS,EX) "

2,42,, "CONTROL VALVE (ARM, BUCKET)", B12(-1)P(R), B12-2P(R), B17(-1)P(R), B17-2P(R), "B17-2(AS,EX) "

2,43,, "CONTROL VALVE (SWING, BOOM)", B12(-1)P(R), B12-2P(R), B17(-1)P(R), B17-2P(R), "B17-2(AS,EX) "

2,44,, "CONTROL VALVE (BLADE, P.T.O.)", B12(-1)P(R), B12-2P(R), B17(-1)P(R), B17-2P(R), "B17-2(AS,EX) "

2,45,, "CONTROL VALVE (P1, P2, P3)", B12(-1)P(R), B12-2P(R), B17(-1)P(R), B17-2P(R), "B17-2(AS,EX) "

2,46,, "HYD. OIL TANK", B12(-1)P(R), B12-2P(R), B17(-1)P(R), B17-2P(R), "B17-2(AS,EX) "

2,47,, GREASING, B12(-1)P(R), B12-2P(R), B17(-1)P(R), B17-2P(R), "B17-2(AS,EX) "

2,48,, "HYD. OIL PIPING (TANK-VALVE)", B12(-1)P(R), B12-2P(R), B17(-1)P(R), B17-2P(R), "B17-2(AS,EX) "

2,49,, "HYD. OIL PIPING (VALVE-SWIVEL-M)", B12(-1)P(R), B12-2P(R), B17(-1)P(R), B17-2P(R), "B17-2(AS,EX) "

2,50,, "HYD. OIL PIPING (RETURN)", B12(-1)P(R), B12-2P(R), B17(-1)P(R), B17-2P(R), "B17-2(AS,EX) "

2,51,, "HYD. OIL PIPING (TRAVEL)", B12(-1)P(R), B12-2P(R), B17(-1)P(R), B17-2P(R), "B17-2(AS,EX) "

2,52,, "HYD. OIL PIPING (BOOM)", B12(-1)P(R), B12-2P(R), B17(-1)P(R), B17-2P(R), "B17-2(AS,EX) "

2,53,, "HYD. OIL PIPING (P.T.O. VALVE-BOO", B12(-1)P(R), B12-2P(R), B17(-1)P(R), B17-2P(R), "B17-2(AS,EX) "

2,54,, "HYD. OIL PIPING (P.T.O. BOOM END)", B12(-1)P(R), B12-2P(R), B17(-1)P(R), B17-2P(R), "B17-2(AS,EX) "

2,55,, "BOOM & BUCKET (B12(-1))", B12(-1)P(R), B12-2P(R), B17(-1)P(R), B17-2P(R), "B17-2(AS,EX) "

2,56,, "BOOM & BUCKET (B17(-1))", B12(-1)P(R), B12-2P(R), B17(-1)P(R), B17-2P(R), "B17-2(AS,EX) "

2,57,, "BOOM & BOOM BRACKET (B12/B17-2)", B12(-1)P(R), B12-2P(R), B17(-1)P(R), B17-2P(R), "B17-2(AS,EX) "

2,58,, "ARM & BUCKET LINK (B12/B17-2)", B12(-1)P(R), B12-2P(R), B17(-1)P(R), B17-2P(R), "B17-2(AS,EX) "

2,59,, "BUCKET (400) (450)", B12(-1)P(R), B12-2P(R), B17(-1)P(R), B17-2P(R), "B17-2(AS,EX) "

2,60,, "BUCKET 250, 300 (ATTACH) (PRE)", B12(-1)P(R), B12-2P(R), B17(-1)P(R), B17-2P(R), "B17-2(AS,EX) "

2,61,, "BUCKET 350, 450 (ATTACH) (PRE)", B12(-1)P(R), B12-2P(R), B17(-1)P(R), B17-2P(R), "B17-2(AS,EX) "

2,62,, "BUCKET 400 (ATTACH) (PREVIOUS)", B12(-1)P(R), B12-2P(R), B17(-1)P(R), B17-2P(R), "B17-2(AS,EX) "

2,63,, "BUCKET 350, 300, 250 (ATTACH) (NEW)", B12(-1)P(R), B12-2P(R), B17(-1)P(R), B17-2P(R), "B17-2(AS,EX) "

2,64,, "BLADE (B12/17(-1))", B12(-1)P(R), B12-2P(R), B17(-1)P(R), B17-2P(R), "B17-2(AS,EX) "

2,65,, "BLADE (B12/17-2)", B12(-1)P(R), B12-2P(R), B17(-1)P(R), B17-2P(R), "B17-2(AS,EX) "

2,66,, "SAFETY LABEL", B12(-1)P(R), B12-2P(R), B17(-1)P(R), B17-2P(R), "B17-2(AS,EX) "