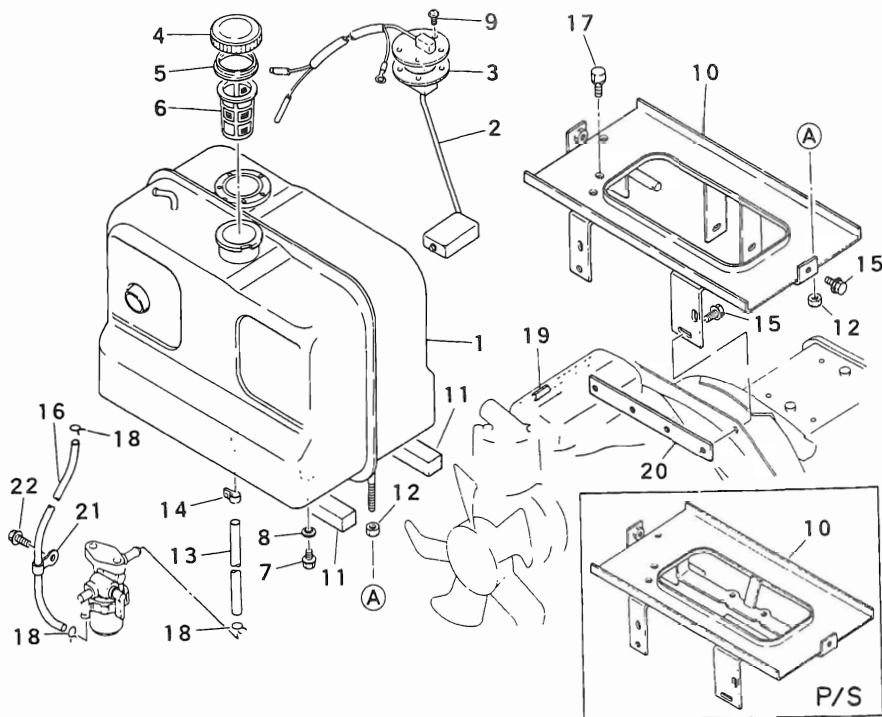


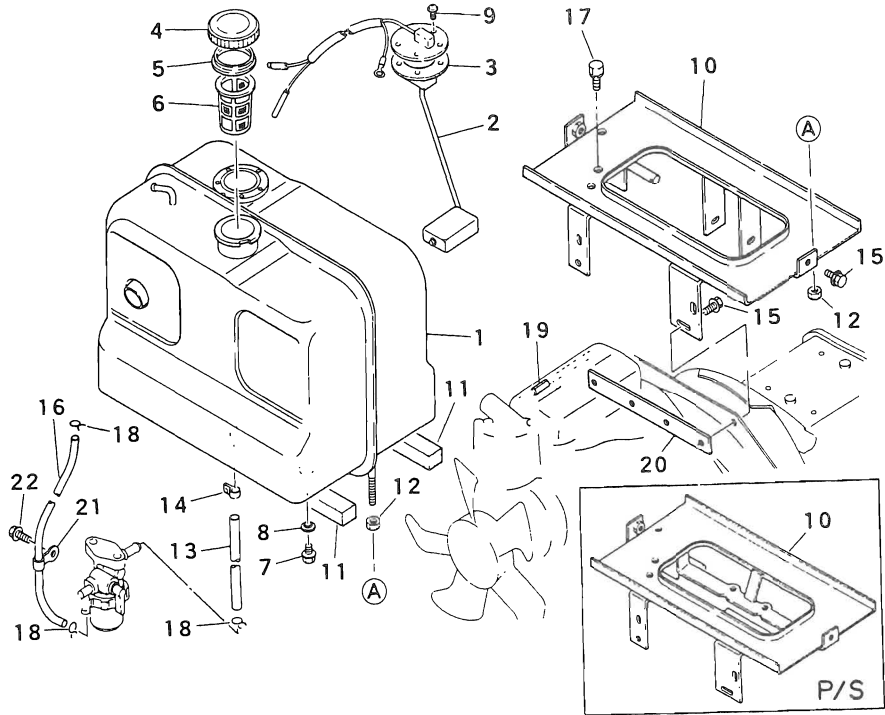
CHASSIS

FIG.201 FUEL LINE



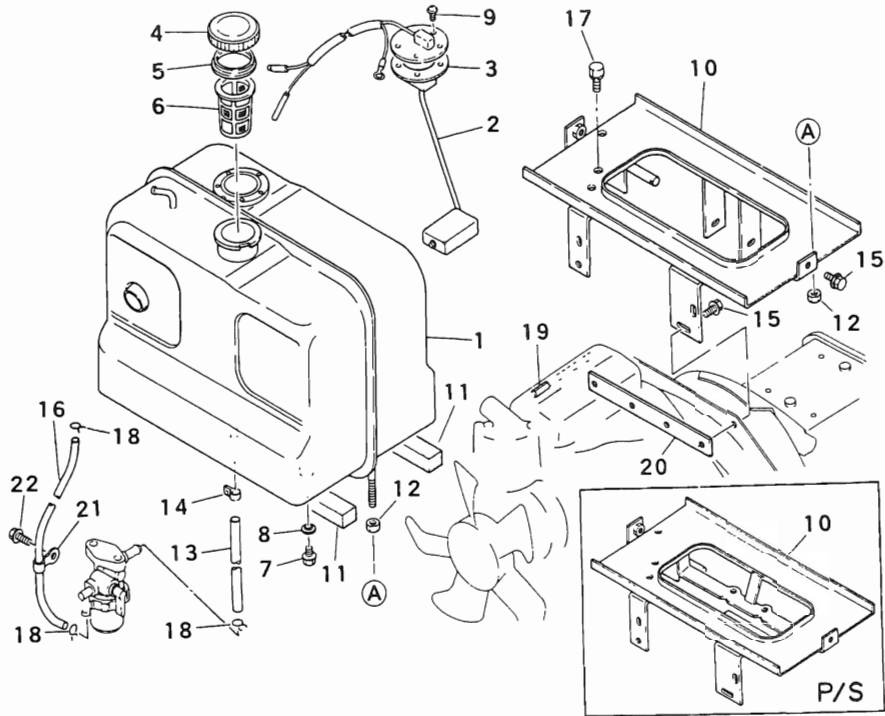
Key No	Parts No	Parts Name	Q'ty				P/S	Application	Description	Remarks
			21PS	25PS						
1-9	1021 0101 0C2	TANK ASSY	1	1				210D:50593~ 210:10238~ 250D:50973~ 250:10855~		
	○	TANK ASSY	1	1			B			1021 0101 0C1
	○	TANK ASSY	1	1			A			1021 0101 0C0
1	*	TANK, fuel	1	1						
1a-9	1021 0102 0C2	TANK ASSY	1	1				210D:50593~ 210:10238~ 250D:50973~ 250:10855~		For P/S
	○	TANK ASSY	1	1			B			1021 0102 0C1
	○	TANK ASSY	1	1			A			1021 0102 0C0
1a	*	TANK, fuel	1	1						
2, 3	1021 0113 000	FUEL UNIT	1	1						
3	1174 0118 110	PACKING	1	1						
4	67403-10200	CAP, fuel tank	1	1						
5	67403-00300	PACKING	1	1						
6	67403-00500	STRAINER	1	1						
7	2740 3214 200	PLUG	1	1						
8	1135 0104 200	WASHER, seal	1	1						
9	H242 0104 010	SCREW, w/washer	5	5					M4X10	
10	1984 0113 0C2	BRACKET, tank	1	•				210D:50469~ 210:10222~		
	○	BRACKET, tank	1	•			B	210D:50162~ 210:10111~		1984 0113 0C1
	1984 0151 0C0	BRACKET, tank	1	•			D			
	1984 0113 0C2	BRACKET, tank	•	1				250D:50723~ 250:10822~		
	○	BRACKET, tank	•	1			B	250D:50312~ 250:10146~		1984 0113 0C1
	1984 0113 0C0	BRACKET, tank	•	1			D			
	1984 0114 0C1	BRACKET, tank	1	•				210D:50162~ 210:10111~		For P/S For P/S
	1984 0152 0C0	BRACKET, tank	1	•			D			

FIG.201 FUEL LINE



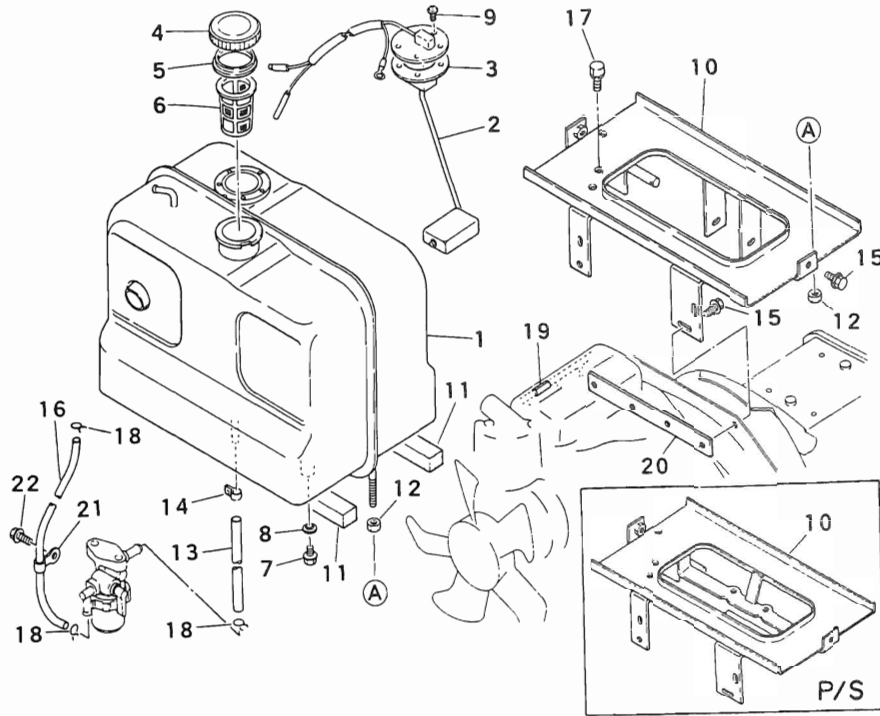
Key No	Parts No	Parts Name	Q'ty				P/P	Application	Description	Remarks
			21PS	25PS						
1~9	1021 0101 0C2	TANK ASSY	1	1				210D 50593~ 210 10238~ 250D 50973~ 250 10855~		
	○	TANK ASSY	1	1			B			1021 0101 0C1
	○	TANK ASSY	1	1			A			1021 0101 0C0
1	*	TANK,fuel	1	1						
1a~9	1021 0102 0C2	TANK ASSY	1	1				210D 50593~ 210 10238~ 250D 50973~ 250 10855~		For P/S
	○	TANK ASSY	1	1			B			1021 0102 0C1
	○	TANK ASSY	1	1			A			1021 0102 0C0
1a	*	TANK,fuel	1	1						
2,3	1021 0113 000	FUEL UNIT	1	1						
3	1174 0118 110	PACKING	1	1						
4	67403-10200	CAP,fuel tank	1	1						
5	67403-00300	PACKING	1	1						
6	67403-00500	STRAINER	1	1						
7	2740 3214 200	PLUG	1	1						
8	1135 0104 200	WASHER,seal	1	1						
9	H242 0104 010	SCREW,w/washer	5	5						M4X10
10	1984 0113 0C2	BRACKET,tank	1	•				210D 50469~ 210 10222~		
	○	BRACKET,tank	1	•			B	210D 50162~ 210 10111~		1984 0113 0C1
	1984 0151 0C0	BRACKET,tank	1	•			D			
	1984 0113 0C2	BRACKET,tank	•	1				250D 50723~ 250 10822~		
	○	BRACKET,tank	•	1			B	250D 50312~ 250 10146~		1984 0113 0C1
	1984 0113 0C0	BRACKET,tank	•	1			D			
	1984 0114 0C1	BRACKET,tank	1	•				210D 50162~ 210 10111~		For P/S
	1984 0152 0C0	BRACKET,tank	1	•			D			For P/S

FIG.201 FUEL LINE



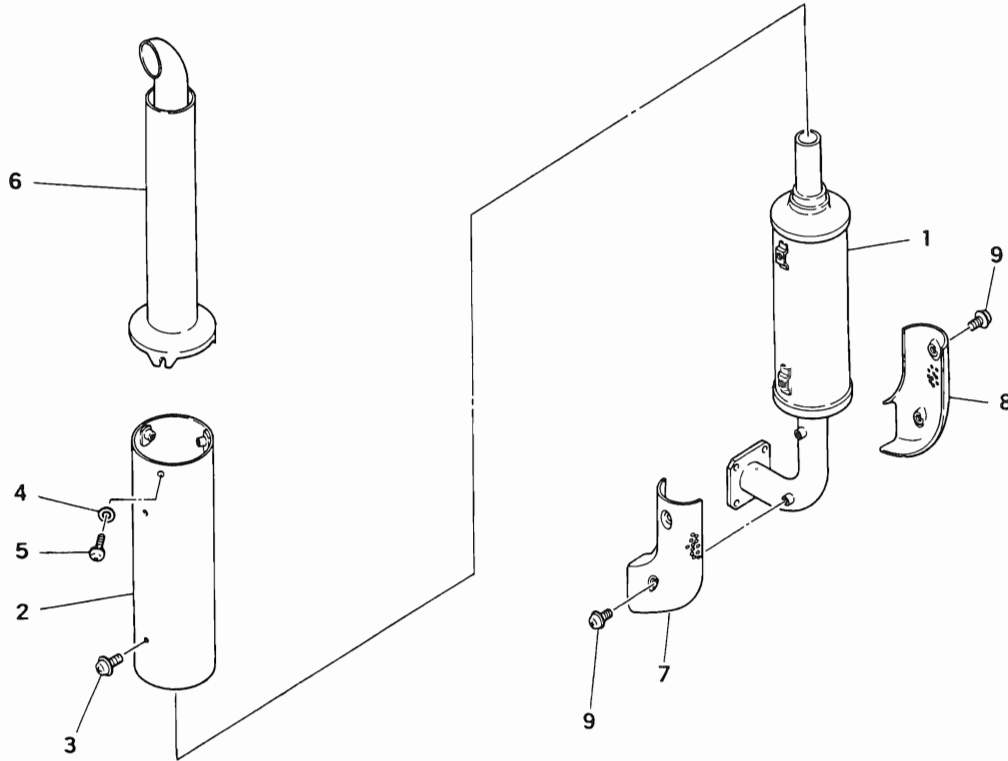
Key No	Parts No	Parts Name	Q'ty				P	Application	Description	Remarks
			21PS	25PS						
	1984 0114 0C1	BRACKET,tank	•	1				250D 50312~ 250 10146~		For P/S
	1984 0114 0C0	BRACKET,tank	•	1			D			For P/S
	1984 0153 0C2	BRACKET,tank	•	1				250D 51033~		For England
	○	BRACKET,tank	•	1			B	250D 50723~		1984 0153 0C1
	○	BRACKET,tank	•	1			B			1984 0153 0C0
11	1021 0114 001	CUSHION,rubber	4	4				210D-50257~ 210 10166~ 250D 50362~ 250 10286~		
	1021 0114 000	CUSHION,rubber	2	2			D			
12	A303 0110 001	NUT	4	4					M10	
13, 14	1984 0115 001	FUEL PIPE	1	1				210D 50162~ 210 10111~ 250D 50312~ 250 10146~		
	○	FUEL PIPE	1	1			B			1984 0115 000
13	1984 0115 110	HOSE,rubber	1	1				210D 50162~ 210 10111~ 250D 50312~ 250 10146~		
	○	HOSE,rubber	1	1			B			1994 0104 110
14	67303-02313	CLAMP	1	1						
15	H154 0108 020	BOLT,w/washer	4	4					M8X20	
	H154 0108 020	BOLT,w/washer	2	2					M8X20	For P/S
16	1984 0116 000	PIPE,fuel	1	•				210D 50162~ 210 10111~		
	○	PIPE,fuel	1	•			B			1984 0118 000
	1984 0154 000	PIPE,fuel	•	1				250D 50312~ 250 10146~		
	○	PIPE,fuel	•	1			B			1984 0116 000
17	F155 0110 020	BOLT,w/washer	2	2					M10X20	
18	0050 3112 506	CLAMP,hose	3	3						
19	1984 0117 000	CUSHION	•	1						

FIG.201 FUEL LINE



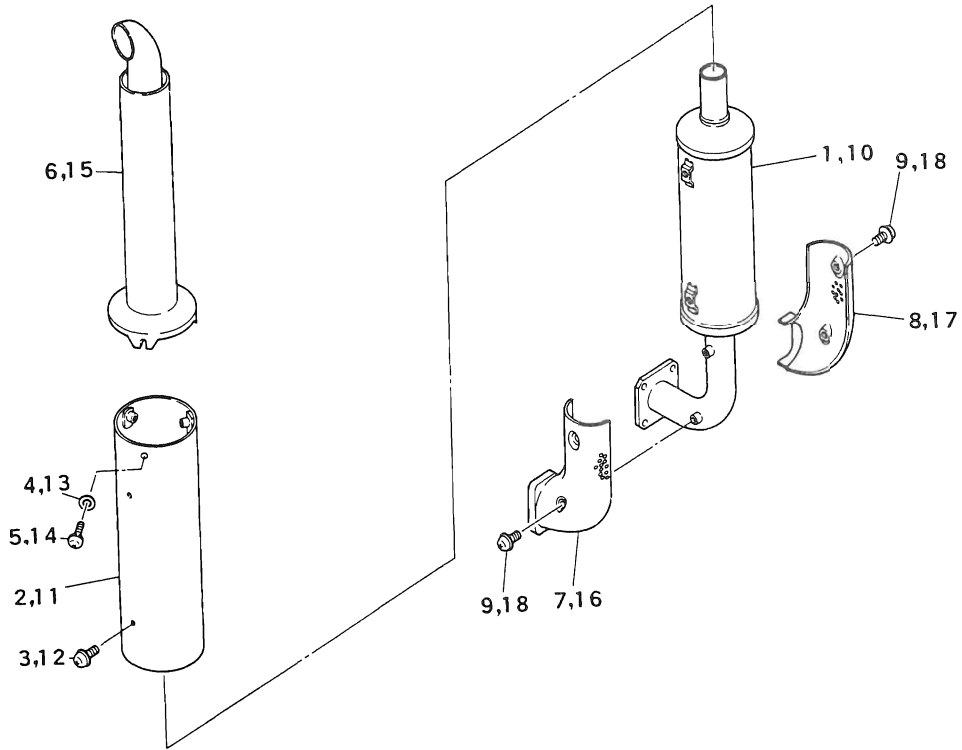
Key No	Parts No	Parts Name	Q' t y				P	Application	Description	Remarks
			21PS	25PS						
20	1984 0155 0C0	PLATE	1	•				210D 50162~		Added
21	0050 2110 083	CLAMP	1	1				210 10111~		Added
								210D 50162~		Added
								210 10111~		Added
								250D 50312~		Added
								250 10146~		Added
22	H154 0108 016	BOLT,w/washer	1	1				210D 50162~	M8X16	Added
								210 10111~	M8X16	Added
								250D 50312~	M8X16	Added
								250 10146~	M8X16	Added

FIG.202 MUFFLER (210D,210)



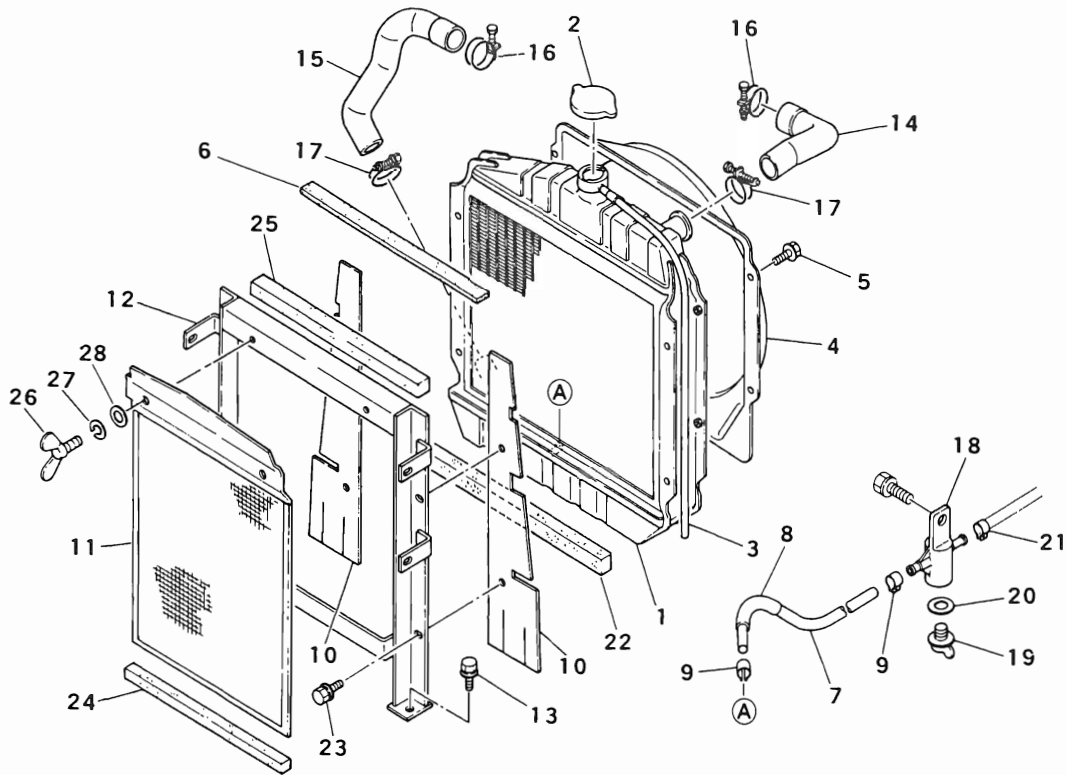
Key No	Parts No	Parts Name	Q' t y				P	Application	Description	Remarks
			4WD	2WD						
1~9	1021 0301 OK2	MUFFLER ASSY.	1	1				210D:50162~ 210:10111~		
	○	MUFFLER ASSY.	1	1			B		1021 0301 OK1	
	○	MUFFLER ASSY.	1	1			A		1021 0301 OK0	
1~5	1021 0302 OK1	MUFFLER ASSY.	1	1				210D:50162~ 210:10111~		
	○	MUFFLER ASSY.	1	1			B		1021 0202 OK0	
1	1021 0311 OK1	MUFFLER	1	1				210D:50162~ 210:10111~		1021 0311 OK0
	○	MUFFLER	1	1			B			
2	1021 0312 OK0	COVER BODY	1	1						
3	69502-00800	SCREW	4	4						
4	69502-00900	WASHER	3	3						
5	69502-01000	SCREW	3	3						
6	1021 0313 OK2	COVER,tail pipe	1	1						
	○	COVER,tail pipe	1	1			A		1021 0313 OK1	
7	1021 0315 OK1	COVER,front	1	1						
	○	COVER,front	1	1			A		1021 0315 OK0	
8	1021 0321 OK1	COVER,rear	1	1						
	○	COVER,rear	1	1			A		1021 0321 OK0	
9	69502-00800	SCREW	4	4						

FIG.203 MUFFLER (250D,250)



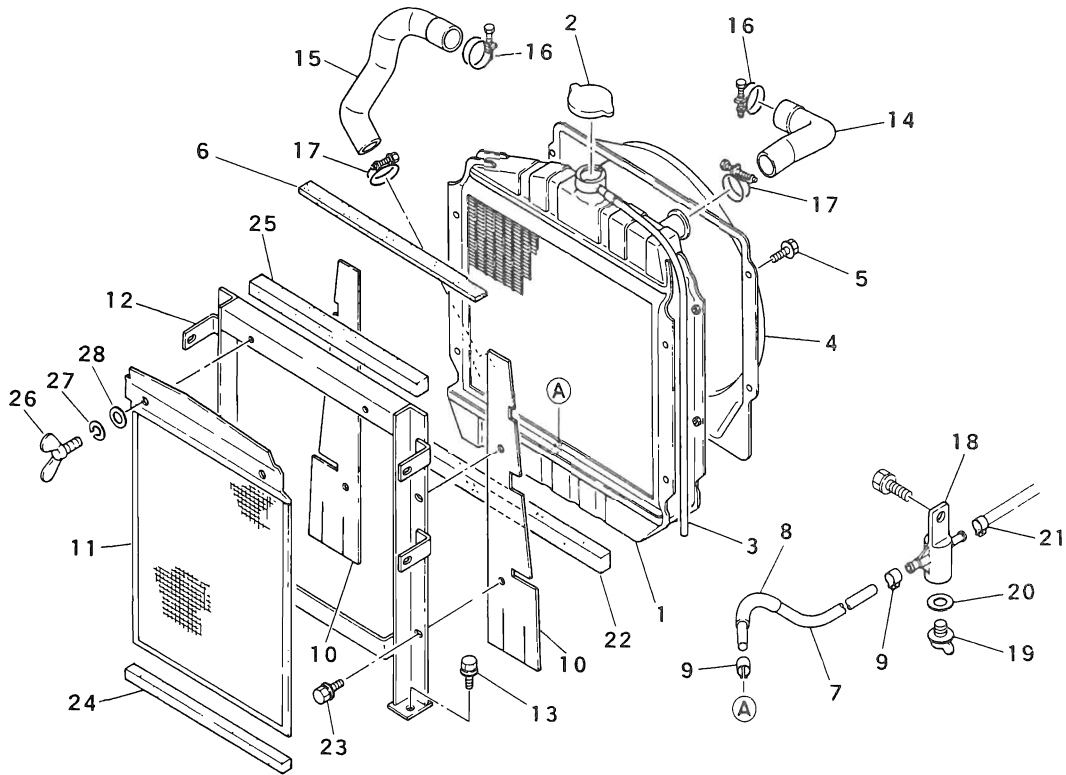
Key No	Parts No	Parts Name	Q'ty				F/P	Application	Description	Remarks
			4WD	2WD						
1-9	1021 0301 OK0	MUFFLER ASSY	1	1			250D.~50181		Deleted	
1-5	1984 0302 OK1	MUFFLER ASSY	1	1			250 ~10090		Deleted	
	○	MUFFLER ASSY	1	1			A 250D 50312~		1984 0302 OK0	
	○	MUFFLER ASSY	1	1			B 250 10146~		1984 0302 OK0	
1	1984 0311 OK1	MUFFLER	1	1			B 250D 50182~		1021 0302 OK0	
	○	MUFFLER	1	1			B 250D 50312~		1984 0311 OK0	
	○	MUFFLER	1	1			B 250 10146~		1984 0311 OK0	
2	1021 0312 OK0	COVER BODY	1	1			B 250D 50182~		1021 0311 OK0	
3	69502-00800	SCREW	4	4						
4	69502-00900	WASHER	3	3						
5	69502-01000	SCREW	3	3						
6	1021 0313 OK2	COVER,tail pipe	1	1						
	○	COVER,tail pipe	1	1			A		1021 0313 OK1	
7	1021 0315 OK1	COVER,front	1	1						
	○	COVER,front	1	1			A		1021 0315 OK0	
8	1021 0321 OK1	COVER,rear	1	1						
	○	COVER,rear	1	1			A		1021 0301 OK0	
9	69502-00800	SCREW	4	4						
10~14	1984 0303 OK1	MUFFLE ASSY	1	1					Central Europe	
10	1984 0312 OK1	MUFFLER	1	1					Central Europe	
11	1021 0312 OK0	COVER,body	1	1					Central Europe	
12	69502-00800	SCREW,machine	4	4					Central Europe	
13	69502-00900	WASHER,plain	3	3					Central Europe	
14	69502-01000	SCREW,machine	3	3					Central Europe	
15	1984 0313 OK0	COVER,tail pipe	1	1					Central Europe	
16	1021 0315 OK1	COVER,front	1	1					Central Europe	
17	1021 0321 OK1	COVER,rear	1	1					Central Europe	
18	69502-00800	SCREW,machine	4	4					Central Europe	

FIG.204 RADIATOR



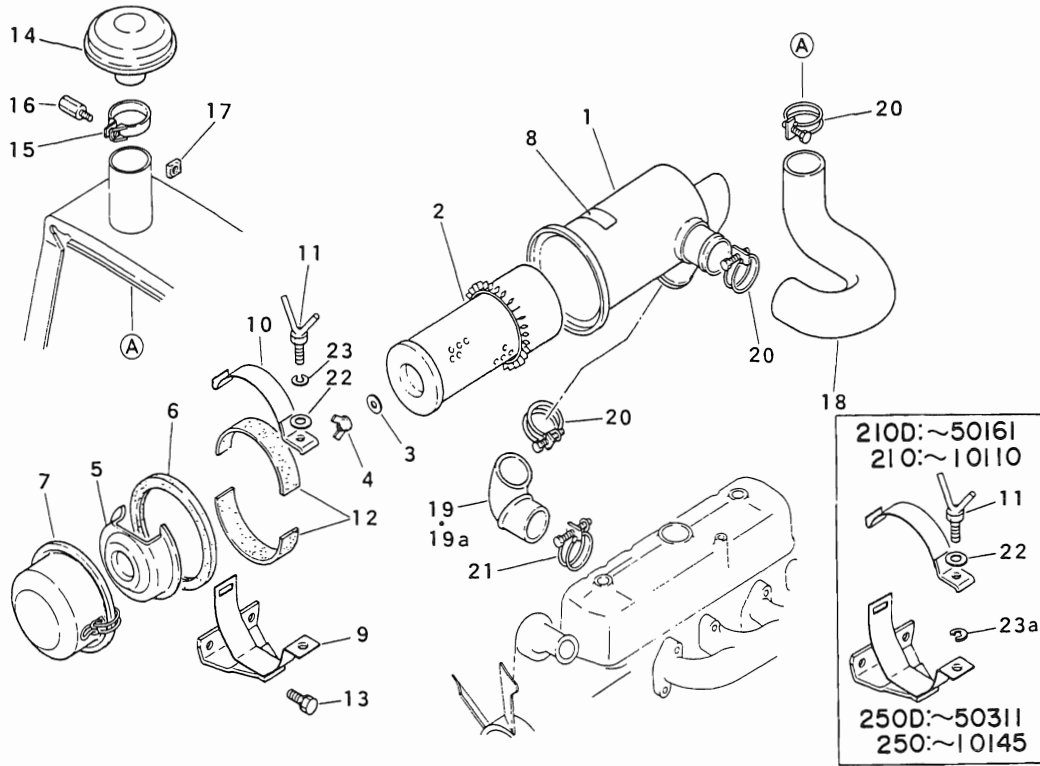
Key No	Parts No	Parts Name	Q' t y				F/P	Application	Description	Remarks
			21PS	25PS						
1-5	1021 0411 000	RADIATOR ASSY	1	•						
	1984 0411 000	RADIATOR ASSY	•	1						
1	*	RIDIATOR	1	1						
2	69401-00812	CAP	1	1						
3	67401-00112	PIPE,vinyl	1	1						
4	69501-06512	SHROUD,fan	1	•						
	68401-01412	SHROUD,fan	•	1						
5	H114 0108 016	BOLT,w/washer	4	4					M8X16	
6	1021 0413 000	CUSHION	1	1						
7-9	1982 0035 000	PIPE,water	1	•					ℓ = 320	
	68401-02101	PIPE,water	•	1						
7	1982 0035 120	PIPE	1	•						
	68401-02112	PIPE	•	1						
8	69501-06612	PIPE	1	1					ℓ = 120	
9	69501-06613	CLAMP	2	2						
10	1021 0417 000	PLATE	2	2						
11	1984 0413 0C0	NET,radiator	1	1						
12	1984 0451 0C0	BRACKET	1	•						
	1984 0412 0C1	BRACKET	•	1						
	○	BRACKET	•	1						
13	H154 0108 020	BOLT,w/washer	3	3			B		1984 0412 0C0	
14	69501-06300	HOSE,upper	1	•						
	1994 0412 000	HOSE,upper	•	1						
15	69501-06400	HOSE,lower	1	•						
	68401-01700	HOSE,lower	•	1						
16	69501-07045	CLIP,hose	2	2						
	○	CLIP,hose	2	2						
17	0050 1100 430	BAND,hose	2	2			B		69501-07048	
18	1174 0415 000	JOINT,water	1	1						
19	67401-00113	COCK,water	1	1						
20	67401-00114	GASKET	1	1						

FIG.204 RADIATOR



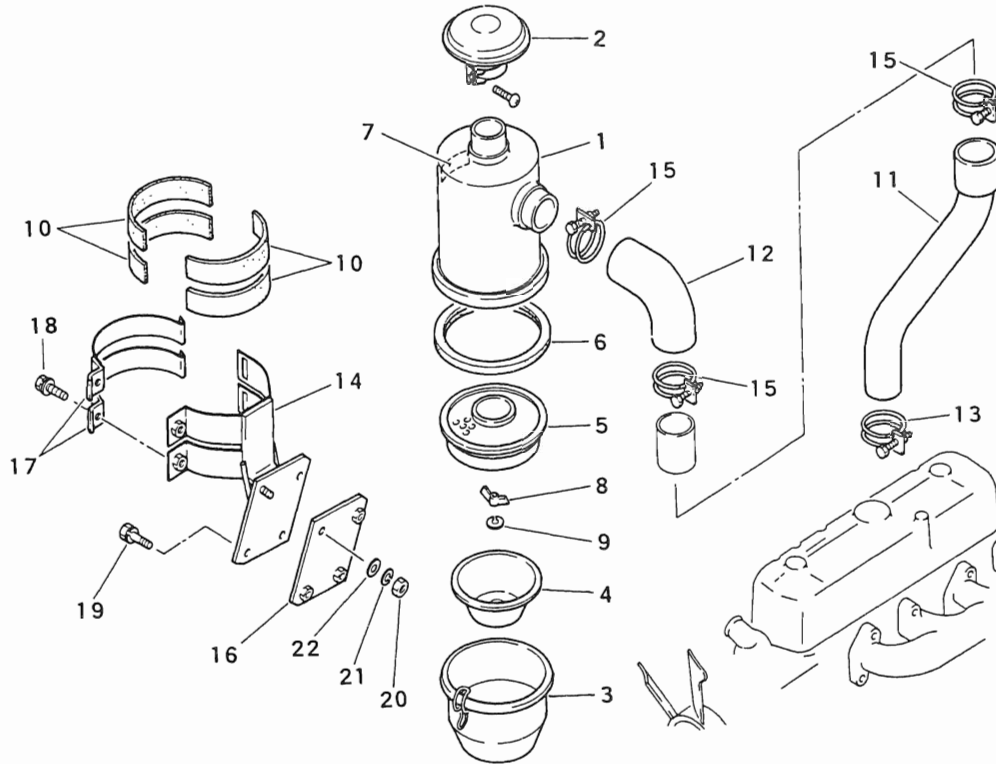
Key No	Parts No	Parts Name	Q' t y				R/P	Application	Description	Remarks
			21PS	25PS						
21	67303-02313	CLAMP	1	1						
22	1174 2673 000	CUSHION A	1	1						
23	H154 0108 025	BOLT,w/washer	4	4				M8X25		
24	1984 0414 000	CUSHION	1	1						
25	1191 2638 000	CUSHION	1	1						
26	A140 0600 820	BOLT,wing	2	2				M8X20		
27	A360 0100 802	WASHER,spring	2	2				M8		
28	0350 0140 818	WASHER	2	2				M8		

FIG.205 AIR CLEANER



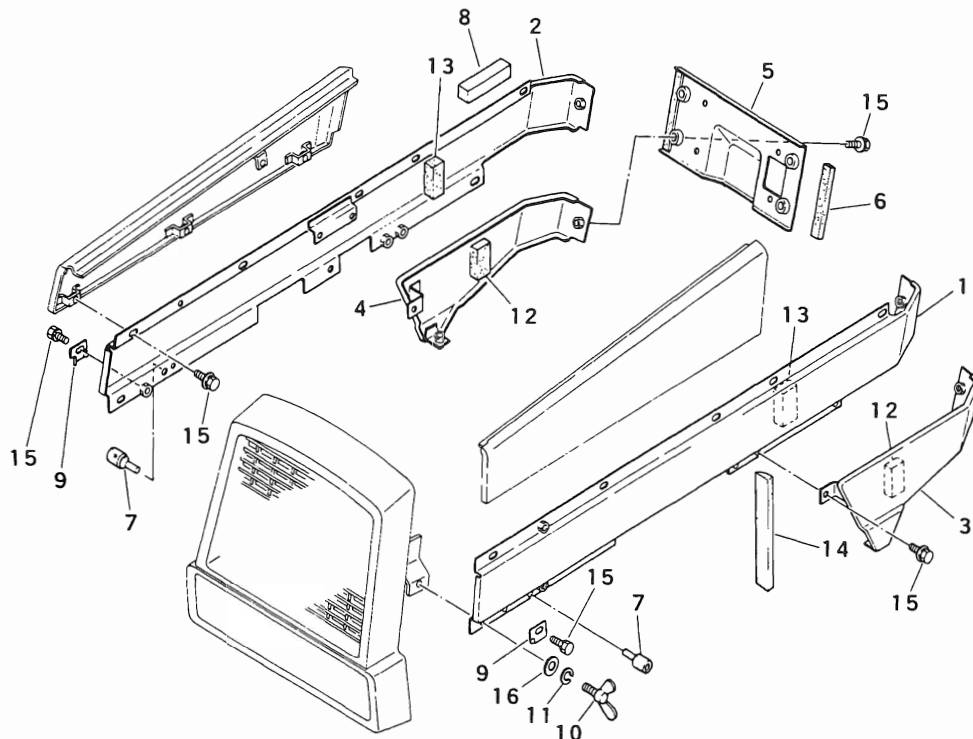
Remarks	Key No	Parts No	Parts Name	Q'ty				P/P	Application	Description	Remarks
				21PS	25PS						
	1-8	1984 0511 000	AIR CLEANER	1	1						
	1	*	CASE	1	1						
	2,3	1980 0062 120	ELEMENT KIT	1	1						
	2	*	ELEMENT ASSY	1	1						
	3	*	WASHER,seal	1	1						
	4	69508-06113	NUT,wing	1	1						
	5	69508-06115	PLATE	1	1						
	6	69508-06116	PACKING	1	1						
	7	1996 0061 130	DUST PAN ASST	1	1						
	8	1980 0062 110	MARK	1	1						
	9	1021 0516 0C1	BRACKET	1	1				210D:50012~ 210 :10011~ 250D:50112~ 250 :10061~		
		○	BRACKET	1	1			B			1021 0516 0C0
	10	1021 0517 0C0	SUPPORT	1	1						
	11	1021 0518 000	BOLT	1	1						
	12	1021 0519 000	CUSHION	2	2						
	13	F154 0108 020	BOLT,w/washer	2	2					M8X20	
	14~17	1996 0061 140	RAIN CAP	1	1						
	14	1996 0061 150	CAP	1	1						
	15	1996 0061 160	BAND	1	1						
	16	1996 0061 170	BOLT	1	1						
	17	1996 0061 180	NUT	1	1						
	18	1174 0512 000	HOSE,upper air	1	1						
	19	1984 0513 000	HOSE,lower air	•	1						
		○	HOSE,lower air	•	1			A			1984 0511 000
	19a	1984 0514 000	HOSE,lower air	1	•			A			1984 0513 000
		○	HOSE,lower air	1	•			A			
	20	69501-07065	CLIP,hose	3	3						
	21	69501-07055	CLIP,hose	1	1						
	22	0350 0141 022	WASHER	1	1					M10	
	23	A360 0101 002	WASHER,spring	1	1					M10	
	23a	○	E-RING	1	1			A		φ9	0742 0100 900

FIG.206 AIR CLEANER (For MIDDLE EAST)



Key No	Parts No	Parts Name	Q'ty				F/P	Application	Description	Remarks
			ALL							
1-9	1984 0519 001	AIR CLEANER	1							
1	*	CASE	1							
2	1984 0519 160	CAP ASSY	1							
3	1984 0519 190	OIL PAN ASSY	1							
4	1984 0519 230	DUMPER ASSY	1							
5,6	1984 0519 180	ELEMENT KIT	1							
6	1984 0519 220	C-PACKING	1							
7	1984 0519 170	MARK	1							
8	A330 0100 800	NUT,wing	1					M8		
9	A360 0100 802	WASHER, spring	1					M8		
10	1021 0519 000	CUSHION	4							
11	1994 0517 000	HOSE,air	1							
12	1984 0516 000	HOSE,air	1							
13	69501-07055	CLIP,hose	1							
14	1984 0518 0T0	BRACKET	1							
15	69501-07065	CLIP,hose	3							
16	1984 0517 0T0	PLATE	1							
17	1984 0521 0T0	SUPPORT	2							
18	H155 0110 030	BOLT,w/washer	2					M10		
19	H154 0108 020	BOLT,w/washer	3					M8X20		
20	A301 0108 001	NUT	1					M8		
21	A360 0100 802	WASHER	1					M8		
22	0350 0140 818	WASHER	1					M8		

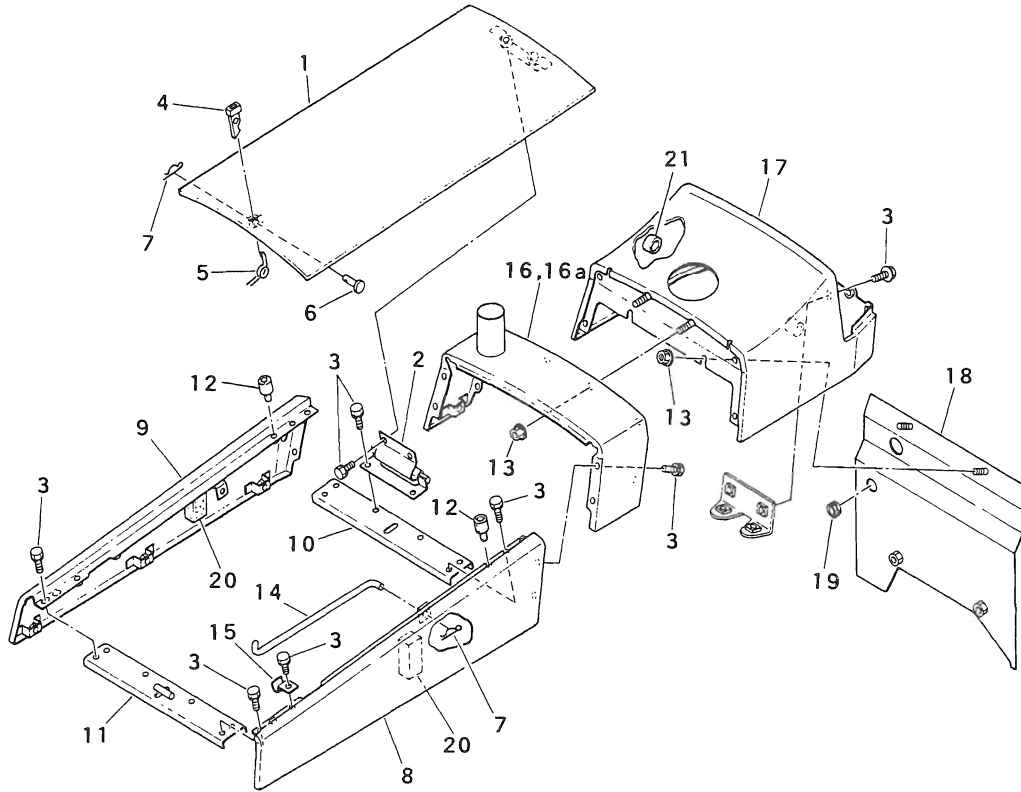
FIG.301 BONNET (1/4)



3

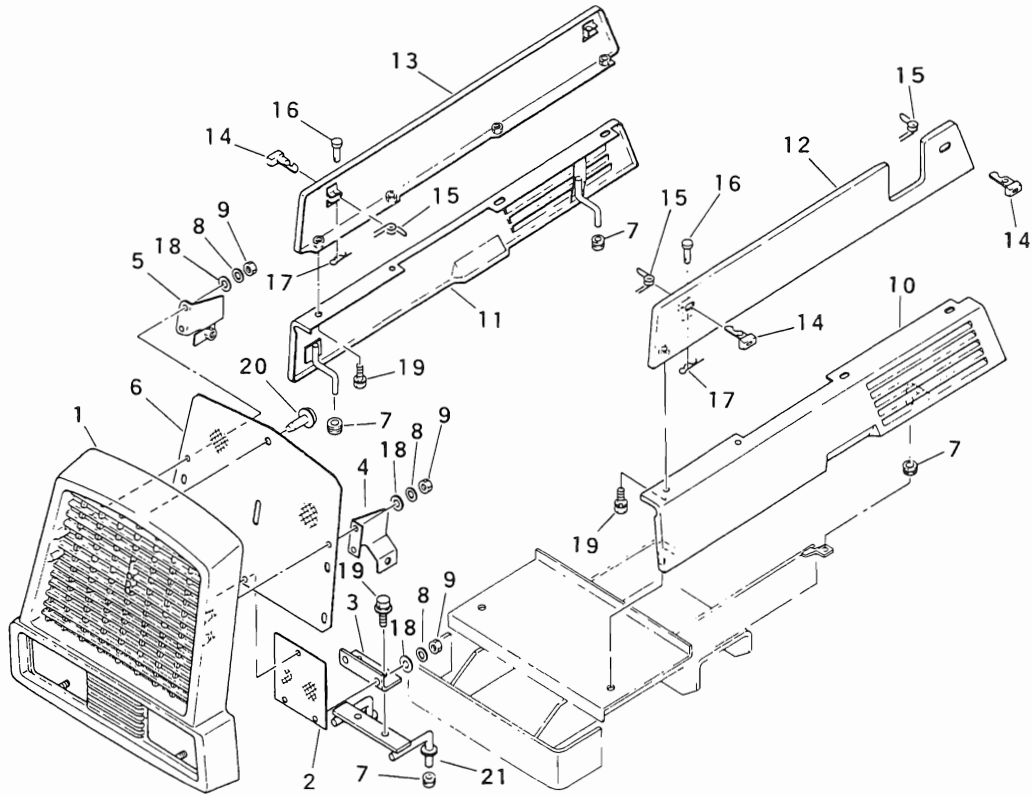
Remarks	Key No	Parts No	Parts Name	Q'ty				Application	Description	Remarks
				4WD	2WD					
	1	1984 2613 OG1	COVER L.H,stay	1	1			210D:50012~ 210 :10011~ 250D:50182~ 250 :10091~		
		○	COVER L.H,stay	1	1				B	1984 2613 OG0
	2	1021 2618 OG2	COVER R.H,stay	1	1			210D:50012~ 210 :10011~ 250D:50182~ 250 :10091~		
		○	COVER R.H,stay	1	1				B	1021 2618 OG1
	3	1021 2642 OT0	COVER L.H,body	1	1					
	4	1021 2643 OT0	COVER R.H,body	1	1					
	5	1021 2644 OG0	COVER,body rear	1	1					
	6	1021 2671 000	BAND,rubber	2	2					
	7	1174 2652 000	CUSHION	3	3					
	8	3733 0784 000	RUBBER	1	1			210D:50593~ 210 :10238~ 250D:50973~ 250 :10855~		Added Added Added Added
	9	1174 2655 001	BRACKET	4	4					
	10	A140 0600 820	BOLT,wing	2	2					M8X20
	11	A360 0100 802	WASHER,spring	2	2					M8
	12	1021 2676 000	CUSHION A	2	2					
	13	1021 2677 000	CUSHION B	2	2					
	14	1176 3542 000	BAND,rubber	1	1					
		○	BAND,rubber	2	2				A	1021 2673 000
	15	H154 0108 016	BOLT,w/washer	30	30					M8X16
	16	0350 0140 818	WASHER	4	4					M8

FIG.302 BONNET (2/4)



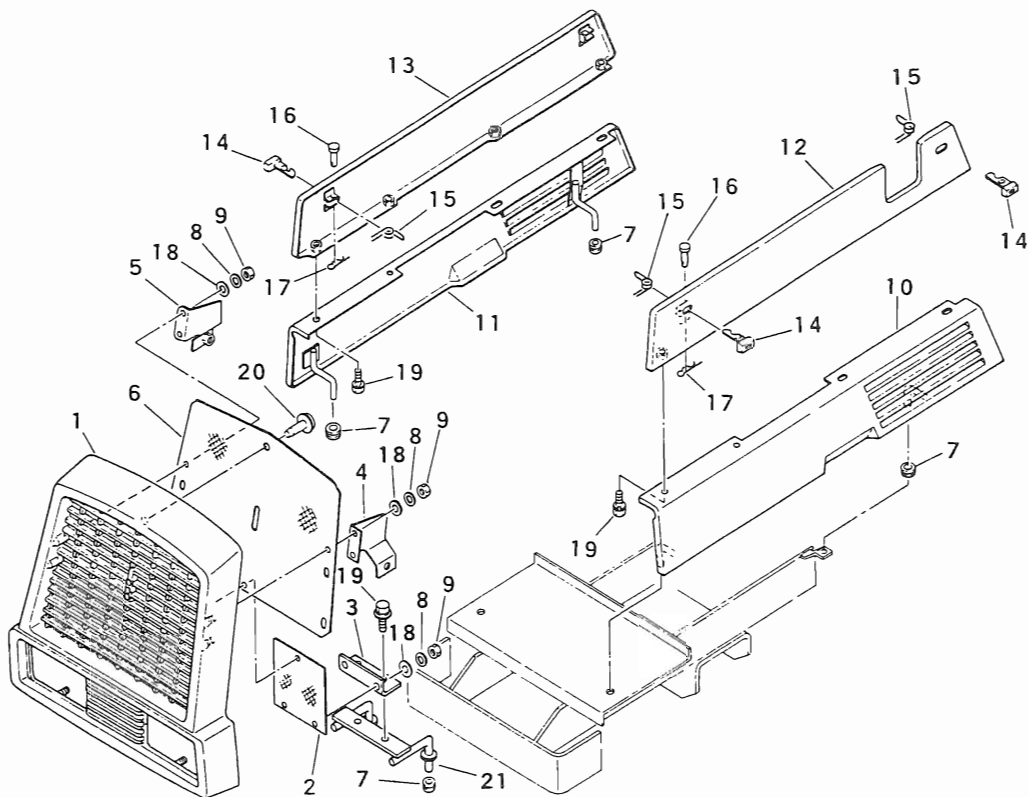
Key No	Parts No	Parts Name	Q' t y				P	Application	Description	Remarks
			4WD	2WD						
1	1021 2611 OG0	HOOD,bonnet	1	1						
2	1174 2621 002	HINGE,bonnet	1	1						
3	H154 0108 016	BOLT,w/washer	25	25				M8X16		
4	1174 2636 000	LEVER,hook	1	1						
5	1174 2648 000	SPRING	1	1						
6	0562 0106 020	PIN,clevis	1	1				φ6X20		
7	0521 0106 000	PIN,snap	2	2				φ6		
8	1984 2614 OG1	COVER L.H,upper	1	1			A		1984 2614 OG0	
	○	COVER L.H,upper	1	1						
9	1984 2615 OG1	COVER R.H,upper	1	1			A		1984 2615 OG0	
	○	COVER R.H,upper	1	1						
10	1021 2663 0C0	BRACKET	1	1						
11	1021 2619 0C0	BRACKET,bonnet	1	1						
12	1174 2653 000	CUSHION	4	4						
13	F301 0108 001	NUT,flange	4	4				M8		
14	1174 2651 000	ROD,stopper	1	1						
15	1174 2654 000	CLIP	1	1						
16	1021 2615 0T0	COVER,intake	1	1						
16a	1984 2663 0C0	COVER,intake	1	•					For Middle East	
17	1021 2641 OG0	BODY,panel	1	1						
18	1021 2648 0C0	COVER	1	1						
19	08452-20000	GROMMET	1	1						
20	1174 2674 000	CUSHION B	2	2						
21	1019 2519 101	PIPE	2	2						

FIG.303 BONNET (3/4)



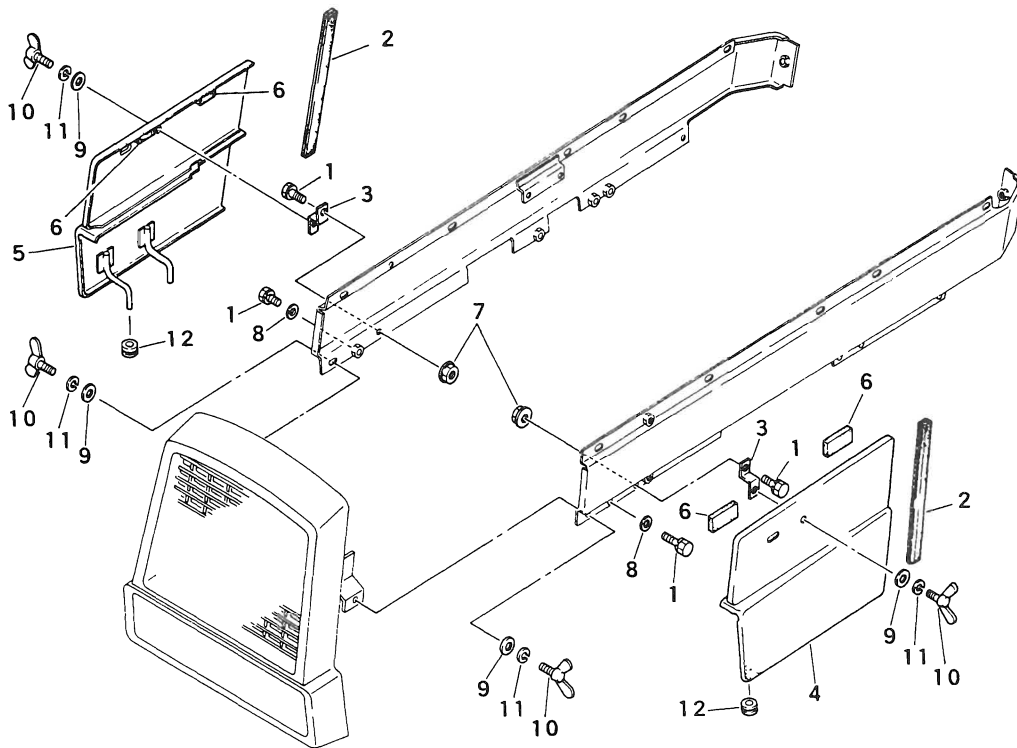
Key No	Parts No	Parts Name	Q'ty				B/P	Application	Description	Remarks
			4WD	2WD						
1	1021 2622 OG1 ○	GRILLE GRILLE	1	1			A			1021 2622 OG0
2	1021 2669 ON0	SCREEN B,grille	1	1						
3	1984 2662 OG0	BRACKET B	1	1				210D:50772~ 210 :10299~ 250D:51173~ 250 :10895~		
4	1021 2679 OC0	BRACKET	1	1			D			
5	1174 2631 OC1	BRACKET D L.H	1	1						
6	1174 2632 OC1	BRACKET D R.H	1	1						
7	1021 2623 ON0	SCREEN A,grille	1	1						
8	1174 0217 001 ○	GROMMET GROMMET	6	6			A			1174 0217 000
9	0350 0130 613	WASHER	6	6					M6	
9	A300 0106 002	NUT	6	6					M6	
10	1021 2664 OG4 ○	COVER L.H,side COVER L.H,side	1	1			B	210D:50132~ 210 :10091~ 250D:50312~ 250 :10146~		1021 2664 OG3
11	1984 2616 OG0	COVER R.H,side	1	1						
12	1021 2612 OT0	COVER L.H,side	1	1						
13	1021 2613 OT1 ○	COVER R.H,side COVER R.H,side	1	1			A			1021 2613 OT0
14	1174 2636 000	LEVER,hook	4	4						
15	1174 2648 000	SPRING	4	4						
16	0562 0106 020	PIN,clevis	4	4					φ6X20	
17	0521 0106 000	PIN,snap	4	4					φ6	
18	1180 2482 001	WASHER	6	6						
19	H154 0108 016	BOLT,w/washer	10	10				210D:50772~ 210 :10299~ 250D:51173~ 250 :10895~	M8X16 M8X16 M8X16 M8X16	
20	H154 0108 016	BOLT,w/washer	8	8			D		M8X16	
20	1021 2626 000	SCREW,tapping	4	4						

FIG.303 BONNET (3/4)



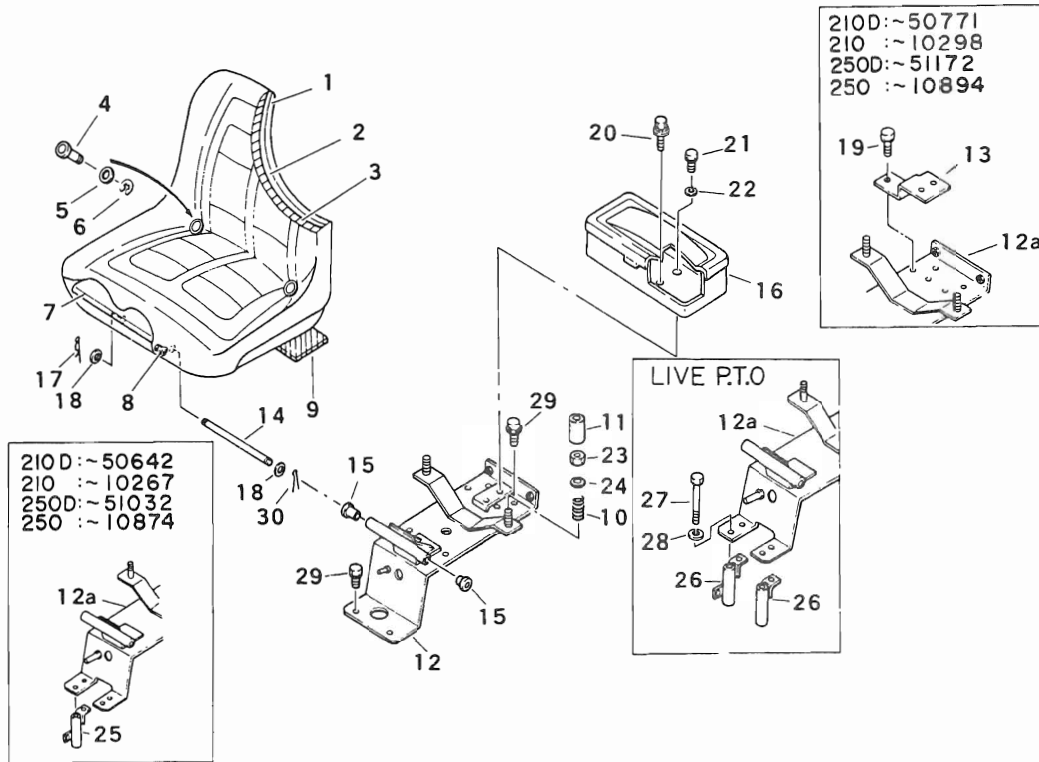
Key No	Parts No	Parts Name	Q'ty				P	Application	Description	Remarks
			4WD	2WD						
21	1984 2661 OG1	BRACKET A	1	1				210D 50772 ~ 210 10299 ~ 250D 51173 ~ 250 10895 ~	Added Added Added Added	

FIG.304 BONNET (4/4) (For MIDDLE EAST)



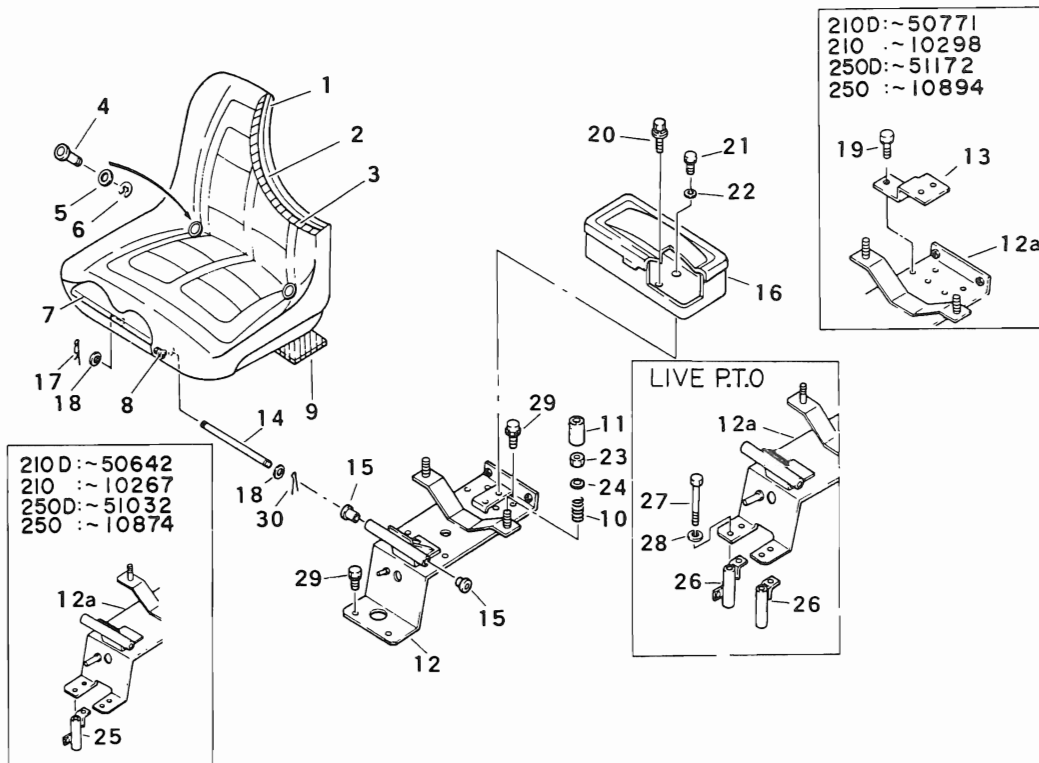
Key No	Parts No	Parts Name	Q'ty				R/P	Application	Description	Remarks
			ALL							
1	H154 0108 016	BOLT,w/washer	10					M8X16		
2	1984 2667 000	RUBBER,band	2							
3	1984 2666 0G0	PLATE	2							
4	1984 2671 0T0	COVER L.H	1							
5	1984 2672 0T0	COVER R.H	1							
6	1021 0114 001	CUSHION	4							
7	F301 0108 001	NUT,flange	2					M8		
8	0350 0160 826	WASHER	2					M8		
9	0350 0140 818	WASHER	4					M8		
10	A140 0600 820	BOLT,wing	4					M8X20		
11	A360 0100 802	WASHER,spring	4					M8		
12	1174 0217 001	GROMMET	4							

FIG.305 SEAT & TOOL BOX



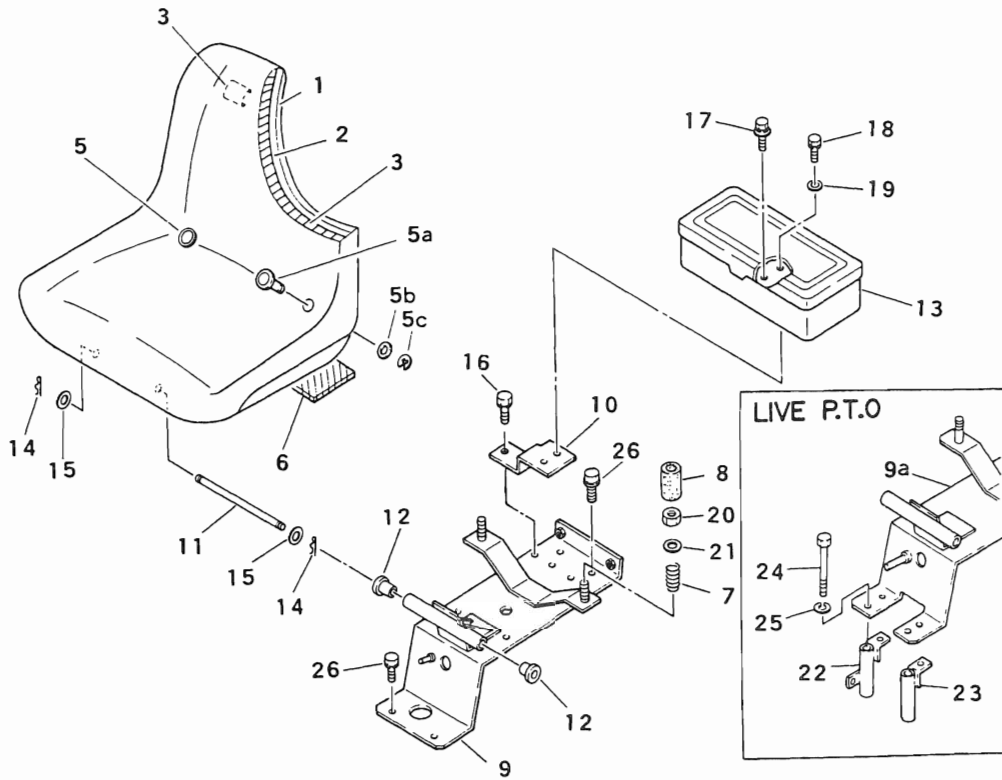
Key No	Parts No	Parts Name	Q'ty				Application	Description	Remarks
			STD	LIVE					
1-8	1984 3433 0C0	210D:50499~ 210 :10222~ 250D:50800~ 250 :10834~ SEAT ASSY	1	1					
1	1984 3433 110	PAN	1	1					
2	1981 2382 120	PAD ASSY	1	1					
3	1981 2382 150	COVERING ASSY	1	1					
4	1974 2351 140	PIN	2	2					
5	0350 0151 430	WASHER	2	2				M14	
6	0742 0101 000	RING	2	2					
7	1981 2382 130	TRIM	1	1					
8	0432 1104 008	SCREW	6	6					
9	1984 3402 000	PLATE	2	2			210D:~50563 210 :~10226 250D:~50898 250 :~10848	Deleted Deleted Deleted Deleted	
10	1984 3403 000	SPRING	2	2					
11	1176 3421 000	RUBBER,stopper	2	2					
12	1984 3431 0C0	BRACKET,seat	1	•					
12a	1984 3441 0C2	BRACKET,seat	•	1					
	1984 3441 0C1	BRACKET,seat	•	1			210D:50772~ 210 :10299~ 250D:51173~ 250 :10895~		
	1984 3441 0C1	BRACKET,seat	•	1					
13	○ 1983 3413 0C1	BRACKET,seat BRACKET	• 1	1			B 210D:~50771 210 :~10298 250D:~51172 250 :~10894	1984 3441 0C0 Deleted Deleted Deleted Deleted	
14	1981 2374 000	PIN	1	1					
15	1984 3432 000	BUSHING	2	2					
16	69509-16000	BOX,tool	1	1					
17	0521 0110 000	PIN,snap	1	1				φ10	
18	0350 0151 026	WASHER	2	2				M10	

FIG.305 SEAT & TOOL BOX



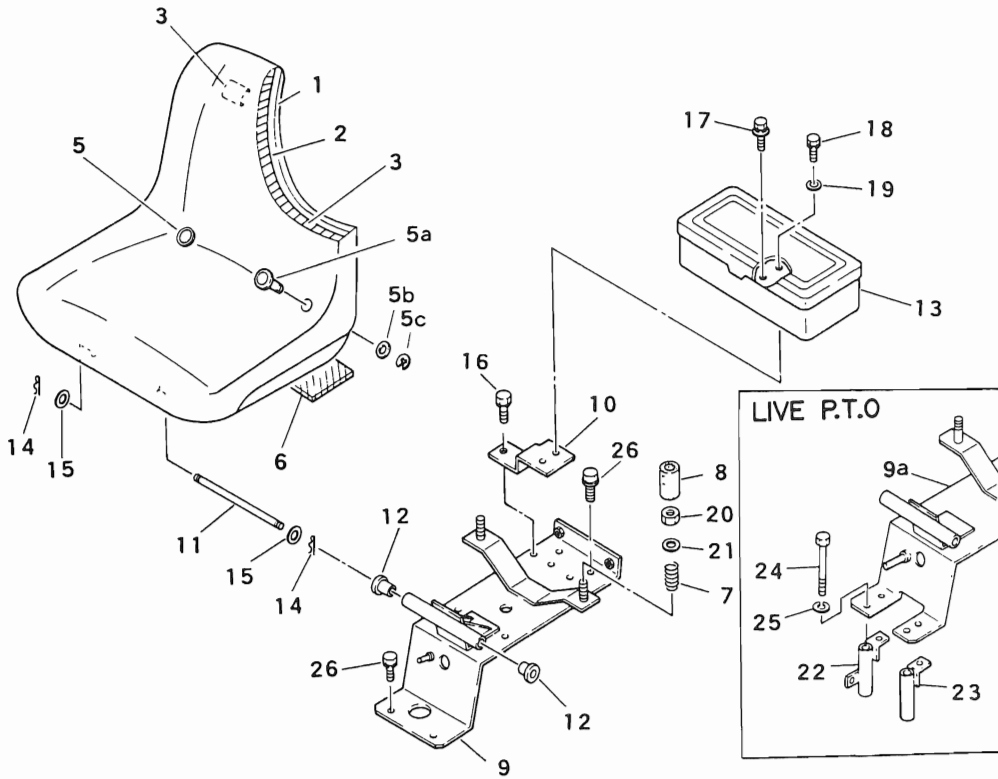
Key No	Parts No	Parts Name	Q'ty				P	Application	Description	Remarks
			STD	LIVE						
19	F155 0110 025	BOLT,w/washer	2	2				210D~50771 210 ~10298 250D~51172 250 ~10894	M10X25 M10X25 M10X25 M10X25	Deleted Deleted Deleted Deleted
20	H154 0108 020	BOLT,w/washer	1	1					M8X20	
21	F154 0108 020	BOLT,w/washer	1	1					M8X20	
22	0350 0150 822	WASHER	1	1					M8	
23	F301 0108 001	NUT	2	2					M8	
24	0350 0160 826	WASHER	2	2					M8	
25	1983 3424 0C0	SPACER B	•	1				210D~50642 210 ~10267 250D~51032 250 ~10874		Deleted Deleted Deleted Deleted
26	1983 3422 0C0 O	SPACER SPACER	•	2 1			A			
27	A055 0110 080	BOLT	•	2					M10X80	
28	A360 0101 002	WASHER,spring	•	2					M10	
29	H155 0110 025	BOLT,w/washer	4	4						
30	0520 0125 020	PIN,split	1	1						1983 3422 0C0

FIG.305A SEAT & TOOL BOX



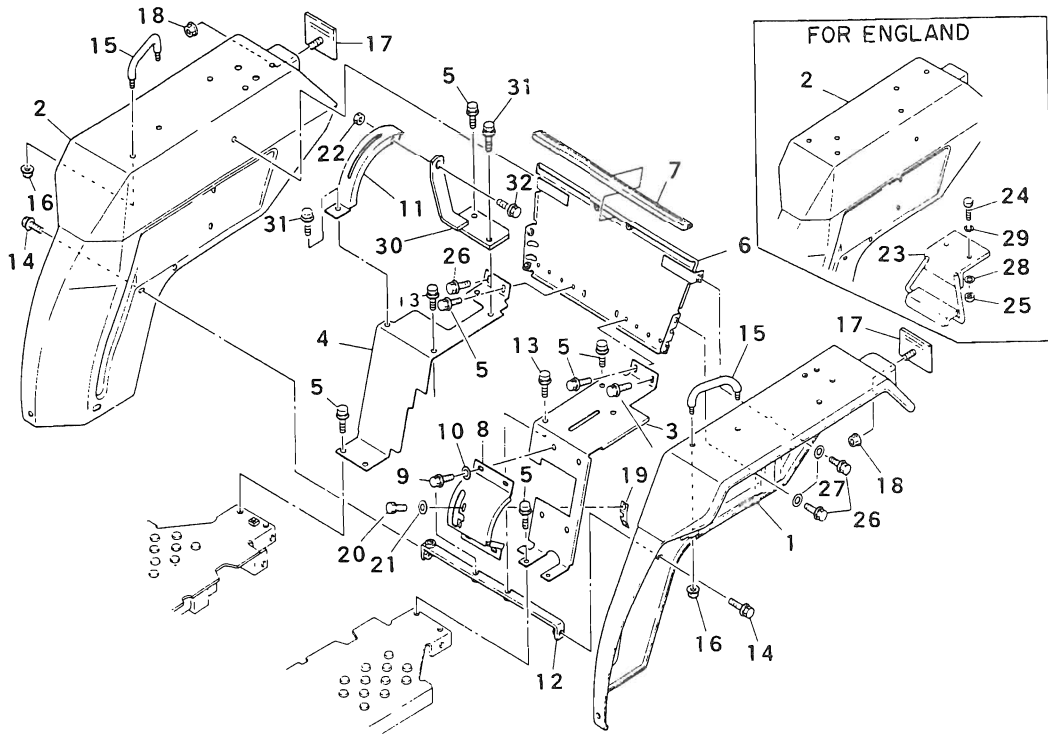
Key No	Parts No	Parts Name	Q'ty				P	Application	Description	Remarks
			STD	LIVE						
		210D:~50498 210 :~10221 250D:~50799 250 :~10833								
1~5c	1983 3411 OC1	PAN SEAT ASSY	1	1						
1	1983 3414 130	PAN ASSY	1	1						
2	1983 3414 110	PAD ASSY	1	1						
3	1983 3411 150	PROTECTOR	2	2						
4	1983 3411 130	COVERING ASSY	1	1						
5	1983 3411 140	EYELET	2	2						
5a	1974 2351 140	PIN	2	2						
5b	1974 2351 150	WASHER	2	2						
5c	0743 0101 000	E-RING	2	2				φ10		
6	1984 3402 000	PLATE	2	2						
7	1984 3403 000	SPRING	2	2						
8	1176 3421 000	RUBBER, stopper	2	2						
9	1984 3411 OC3	BRACKET, seat	1	•			250D.50312~ 250 ·10146~			
	1984 3411 OC2	BRACKET, seat	1	•			D			
9a	1984 3416 OC1	BRACKET, seat	•	1			210D:50306~ 210 ·10185~ 250D:50492~ 250 ·10310~			
	1984 3416 OC0	BRACKET, seat	•	1			D			
10	1983 3413 OC1	BRACKET	1	1						
11	1983 3416 000	PIN	1	1						
12	69517-06201	BUSHING	2	2						
13	69509-16000	BOX, tool	1	1						
14	0521 0110 000	PIN, snap	2	2				φ10		
15	0350 0141 022	WASHER	2	2				M10		
16	F155 0110 025	BOLT, w/washer	2	2				M10X25		
17	H154 0108 020	BOLT, w/washer	1	1				M8X20		
18	F154 0108 020	BOLT, w/washer	1	1				M8X20		
19	0350 0150 822	WASHER	1	1				M8		
20	A301 0108 001	NUT	2	2				M8		

FIG.305A SEAT & TOOL BOX



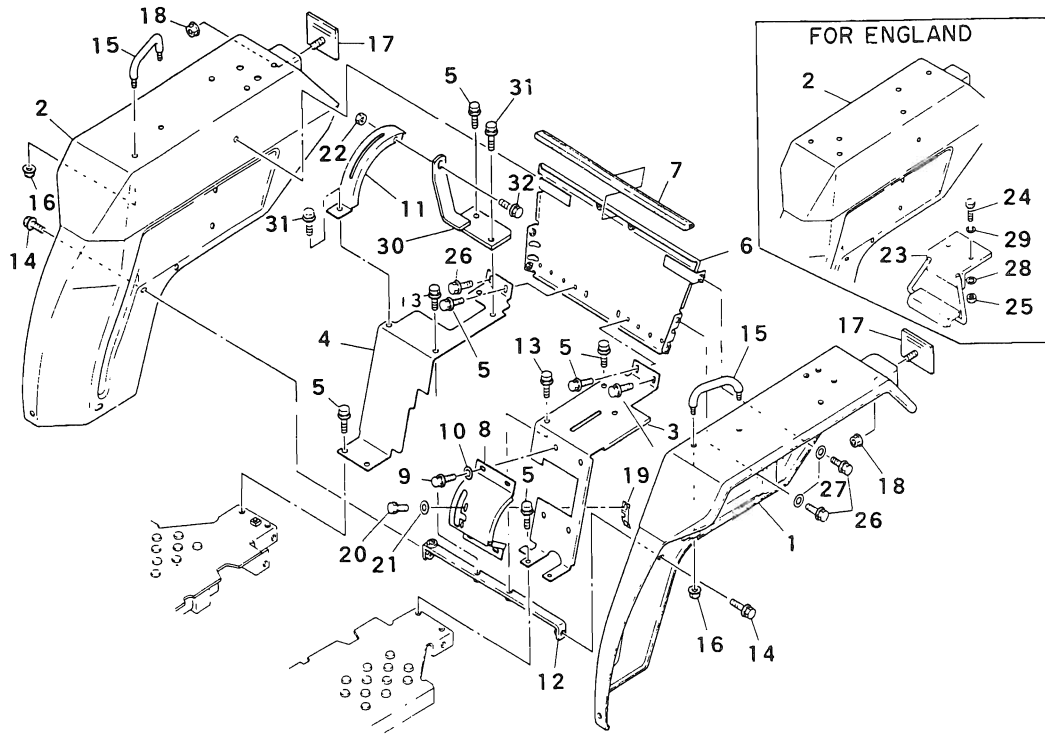
Key No	Parts No	Parts Name	Q'ty				P	Application	Description	Remarks
			STD	LIVE						
21	0350 0160 826	WASHER	2	2				M8		
22	1983 3424 0C0	SPACER B		1				210D 50162~ 210 10111~ 250D 50312~ 250 10146~		
23	1983 3422 0C0	SPACER		1				210D 50162~ 210 10111~ 250D 50312~ 250 10146~	Added Added Added Added	
24	1983 3422 0C0	SPACER		2			D			
	A055 0110 080	BOLT		2				M10X80		
25	A360 0101 002	WASHER, spring		2				M10		
26	H155 0110 025	BOLT, w/washer	4	4				M10X25		

FIG.306 FENDER



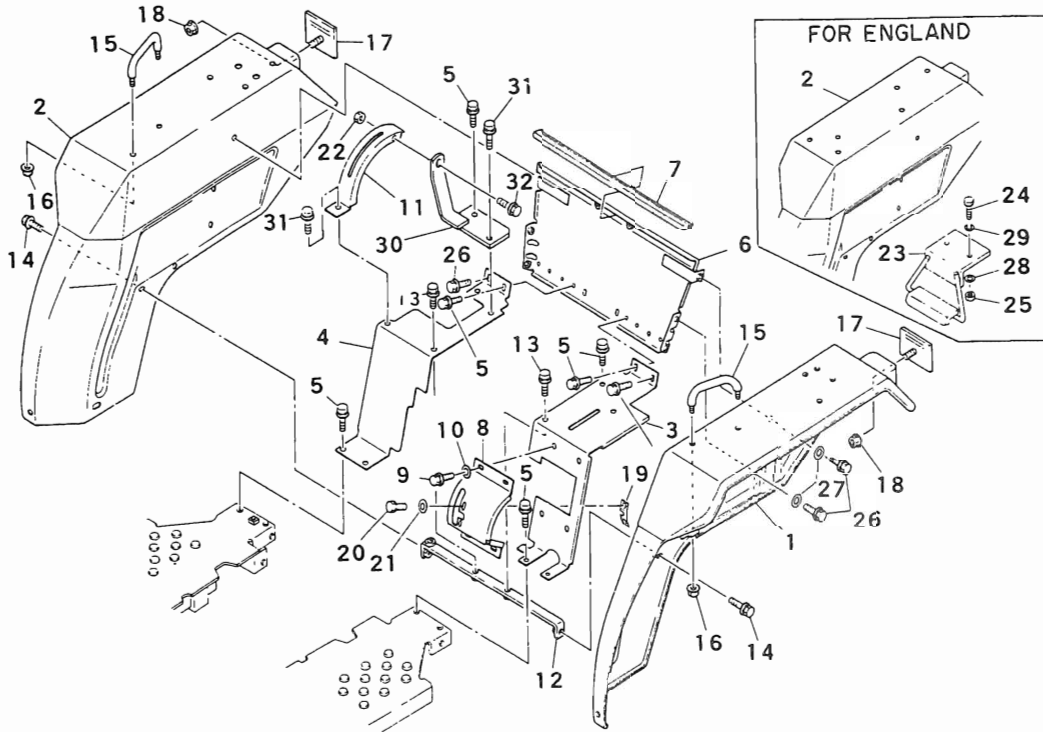
Key No	Parts No	Parts Name	Q'ty				R/P	Application	Description	Remarks
			STD	LIVE						
1	1984 3512 OGO	FENDER L.H	1	1						
2	1984 3514 OGO	FENDER R.H	1	1						
3	1983 3518 OG5	COVER L.H	1	1				210D 50564 ~ 210 10227 ~ 250D 50899 ~ 250 10849 ~		
	1983 3518 OG4	COVER L.H	1	1			D	210D 50197 ~ 210 10126 ~ 250D 50332 ~ 250 10216 ~		
4	○ 1983 3521 OG1	COVER L.H COVER R.H	1 1	1 1			B	210D 50564 ~ 210 10227 ~ 250D 50899 ~ 250 10849 ~		1983 3518 OG3
5	1983 3521 OGO H154 0108 016	COVER R.H BOLT,w/washer	1 10	1 10			D	210D:50564 ~ 210 :10227 ~ 250D:50899 ~ 250 :10849 ~		
6	H154 0108 016 1021 3522 OG2	BOLT,w/washer COVER,center	11 1	11 1			D	210D:50564 ~ 210 :10227 ~ 250D:50899 ~ 250 :10849 ~		
7	○ 1021 3524 000	COVER,center BAND,rubber	1 1	1 1			B			1021 3522 OG1
8	1983 3524 OGO	COVER,guide	1	1						
9	F144 0106 012	BOLT,w/washer	4	4					M6X12	
10	0350 0140 618	WASHER	4	4					M6	
11	1983 3541 OGO	GUIDE	1	1				210D:50564 ~ 210 :10227 ~ 250D:50899 ~ 250 :10849 ~		
	1021 3521 OGO	GUIDE	1	1			D			

FIG.306 FENDER



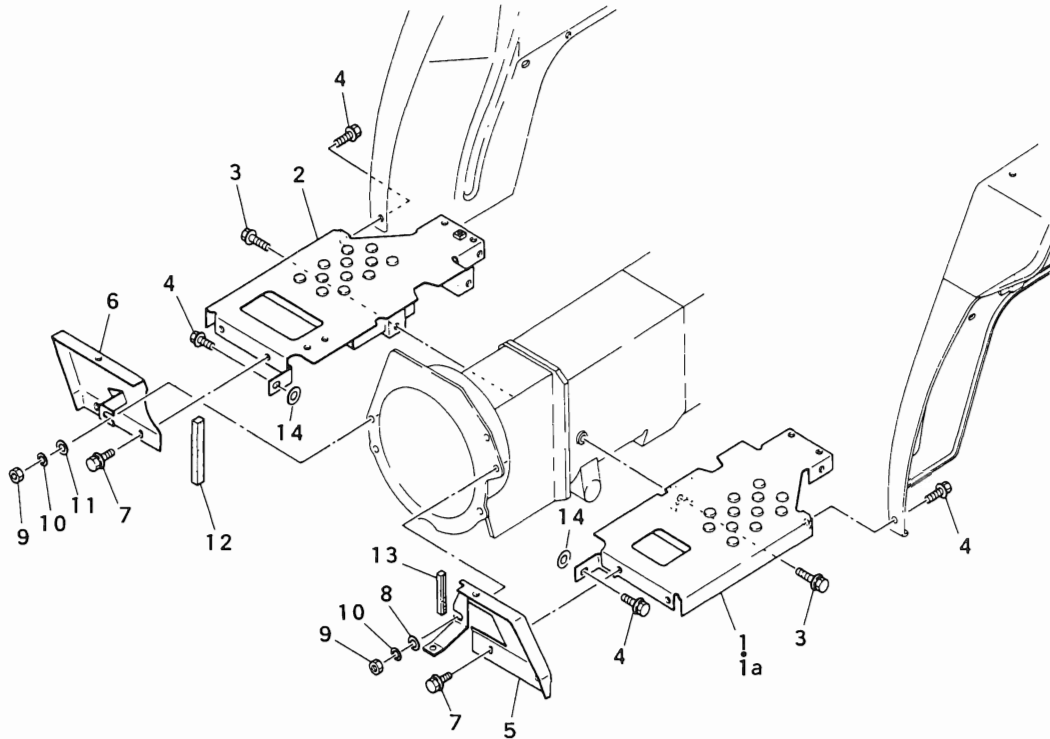
Key No	Parts No	Parts Name	Q'ty				P	Application	Description	Remarks
			STD	LIVE						
12	1021 3523 0G0	BRACKET	1	1						
13	H154 0108 025	BOLT,w/washer	3	3				M8X25		
14	H154 0108 020	BOLT,w/washer	2	2				M8X20		
15	03476-92000	RAIL,hand	2	2						
16	F301 0108 001	NUT,flange	4	4				M8		
17	1019 2279 000	REFLECTOR	2	2					Central Europe	
18	F300 0106 001	NUT,flang	2	2				M6	Central Europe	
19	1983 3523 000	GUIDE	1	1						
20	F144 0106 012	BOLT,w/washer	2	2				M6X12		
21	0350 0140 618	WASHER,plain	2	2				M6X12		
22	A300 0106 001	NUT	1	1				M6	Added	
							210 10227~	M6	Added	
							250D 50899~	M6	Added	
							250D 10849~	M6	Added	
23	1984 3513 0T0	STEP,sub	2	2					For England	
24	A052 0110 020	BOLT	4	4				M10X20	For England	
25	A303 0110 001	NUT	4	4				M10	For England	
26	F154 0108 020	BOLT,w/washer	10	10				M8X20	Added	
							210 10212~	M8X20	Added	
							250D 50603~	M8X20	Added	
							250 10339~	M8X20	Added	
27	0350 0160 826	WASHER	10	10				M8	Added	
							210 10212~	M8	Added	
							250D 50603~	M8	Added	
							250 10339~	M8	Added	
28	0350 0140 022	WASHER	4	4				M10	For England	
29	A360 0101 002	WASHER,spring	4	4				M10	For England	
30	1983 3542 0G0	BRACKET,guide	1	1					Added	
							210 10227~		Added	
							250D 50899~		Added	
							250 10849~		Added	
31	H154 0108 020	BOLT,w/washer	1	1				M8X20	Added	
							210 10227~	M8X20	Added	
							250D 50899~	M8X20	Added	
							250 10849~	M8X20	Added	

FIG.306 FENDER



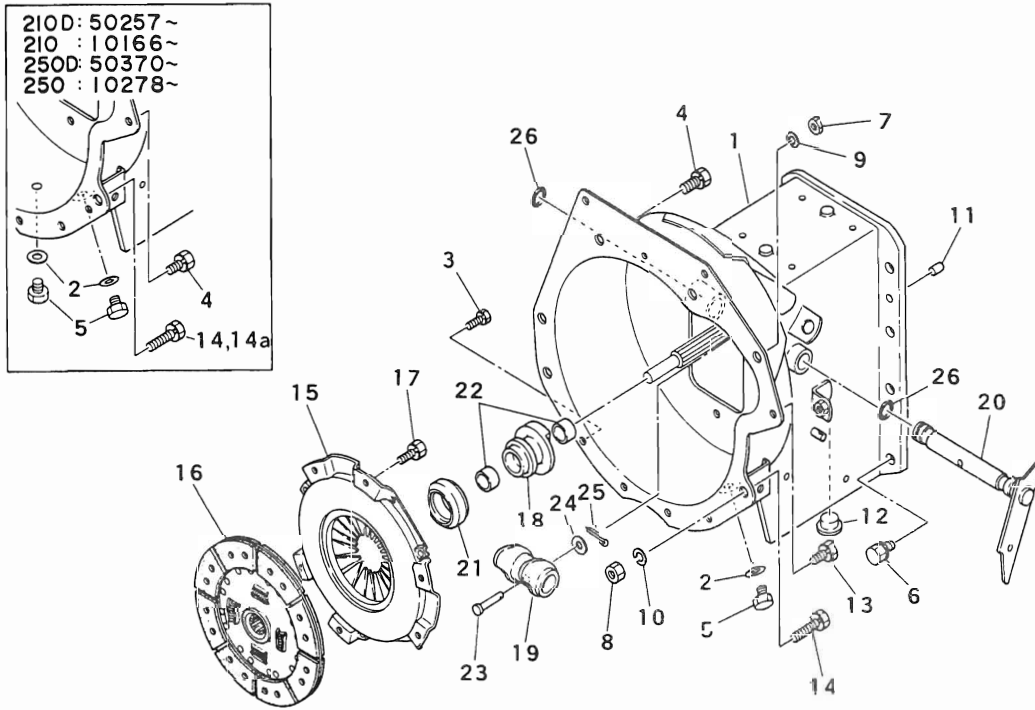
Key No	Parts No	Parts Name	Q' t y				P	Application	Description	Remarks
			STD	LIVE						
32	H104 0106 016	BOLT,w/washer	1	1				210D 50564~ 210 10227~ 250D 50899~ 250 10849~	M6X16 M6X16 M6X16 M6X16	Added Added Added Added

FIG.307 STEP



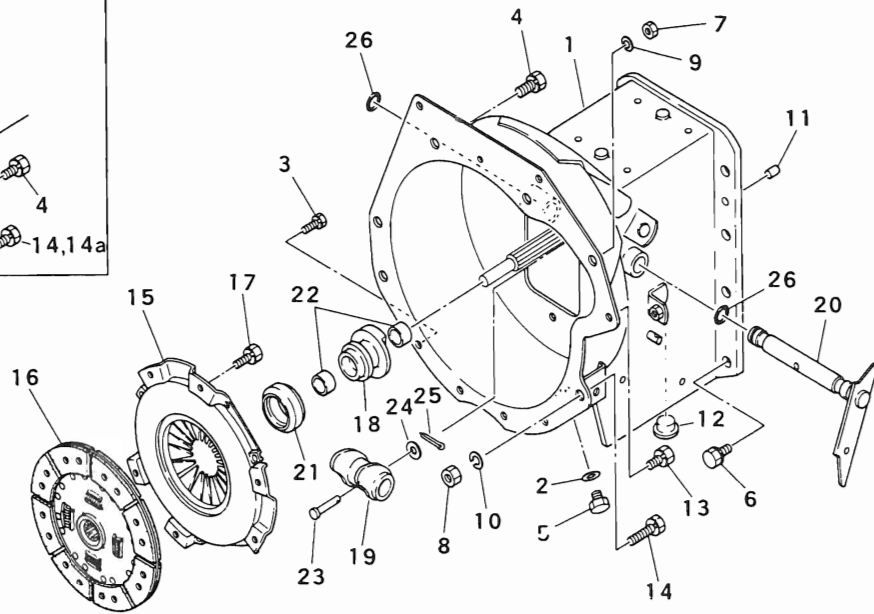
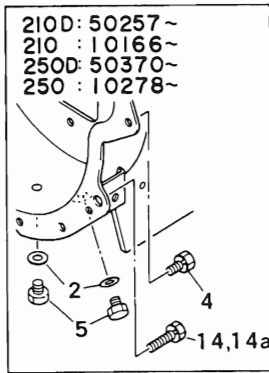
Key No	Parts No	Parts Name	Q'ty				P	Application	Description	Remarks
			STD	LIVE						
1	1021 3514 OT2	STEP L.H	1	•						
1a	1983 3514 OT0	STEP L.H	•	1						
2	1021 3513 OT2	STEP R.H	1	1						
	○	STEP R.H	1	1			A		1021 3513 OT1	
3	H155 0110 025	BOLT,w/washer	4	4				M10X25		
4	H155 0110 020	BOLT,w/washer	6	6				M10X20		
5	1984 3511 OT3	COVER L.H,foot	1	1			210D 50012~ 210 10011~ 250D 50182~ 250 10091~		Exchangeable to the part No 1984 2111 003 1984 2011 002 with set	
	1984 3511 OT2	COVER L.H,foot	1	1			D 250D 50062~ 250 10011~			
	1984 3511 OT1	COVER L.H,foot	1	1			D			
6	1021 3515 OT1	COVER R.H,foot	1	1						
7	H154 0108 016	BOLT,w/washer	4	4						
8	3783 0053 000	WASHER	1	1						
9	A303 0112 001	NUT	1	1				M12		
10	A360 0101 202	WASHER, spring	2	2				M12		
11	0350 0151 226	WASHER	1	1				M12		
12	1021 3525 001	BAND, rubber	1	1						
13	1021 2673 000	BAND, rubber	1	1						
14	0350 0151 026	WASHER	2	2			210D 50012~ 210 10011~ 250D 50182~ 250 10091~	M10 M10 M10 M10	Added Added Added Added	

FIG.401 CLUTCH HOUSING & CLUTCH



Key No	Parts No	Parts Name	Q'ty				P	Application	Description	Remarks	
			21PS	25PS							
1	1021 1051 OC1	HOUSING,clutch	1	•			D	210D:50257~			
	1021 1051 OC0	HOUSING,clutch	1	•				210 ·10166~			
	1984 1011 OC1	HOUSING,clutch	•	1				250D:50370~			
2	1984 1011 OC0	HOUSING,clutch	•	1			A	250 ·10278~			
	0833 0001 200	WASHER,seal	2	2				210D:50257~		1007 1016 000	
	○	WASHER,seal	2	2				210 ·10166~		1007 1016 000	
								250D:50370~		1007 1016 000	
3	1007 1016 000	WASHER,seal	1	1			D	250 ·10278~		1007 1016 000	
	F154 0108 016	BOLT,w/washer	4	4					M8X16		
	4	F155 0112 040	BOLT,w/washer	2	4					M12X40	
	5	A052 0112 020	BOLT	2	2					M12X20	
	○	BOLT	2	2				A	210D:50257~	M12X20	A112 0112 020
6							A	210 ·10166~	M12X20	A112 0112 020	
	A112 0112 020	BOLT	1	1				250D:50370~	M12X20	A112 0112 020	
	F154 0112 035	BOLT,w/washer	8	8				250 ·10278~	M12X20	A112 0112 020	
	○	BOLT,w/washer	•	8					M12X35	F2005-12035	
	7	A303 0110 001	NUT	1	1					M10	
8	A303 0112 001	NUT	2	2				M12			
	9	A360 0101 002	WASHER,spring	1	1			M10			
10	A360 0101 202	WASHER,spring	2	2				M12			
11	0540 1010 018	PIN,dowel	2	2				φ10X18			
12	2761 3733 000	CAP	1	1							
13	F155 0112 035	BOLT,w/washer	2	•				M12X35			
14	A055 0112 055	BOLT,w/washer	2	•				M12X55			
14a	A052 0112 030	BOLT,w/washer	•	2				M12X30			
15, 16	1983 1101 000	CLUTCH SET	1	1							
15	1021 1110 000	CLUTCH COVER	1	1							
16	1983 1120 000	CLUTCH DISK	1	1							
17	F154 0108 020	BOLT,w/washer	6	6				M8X20			

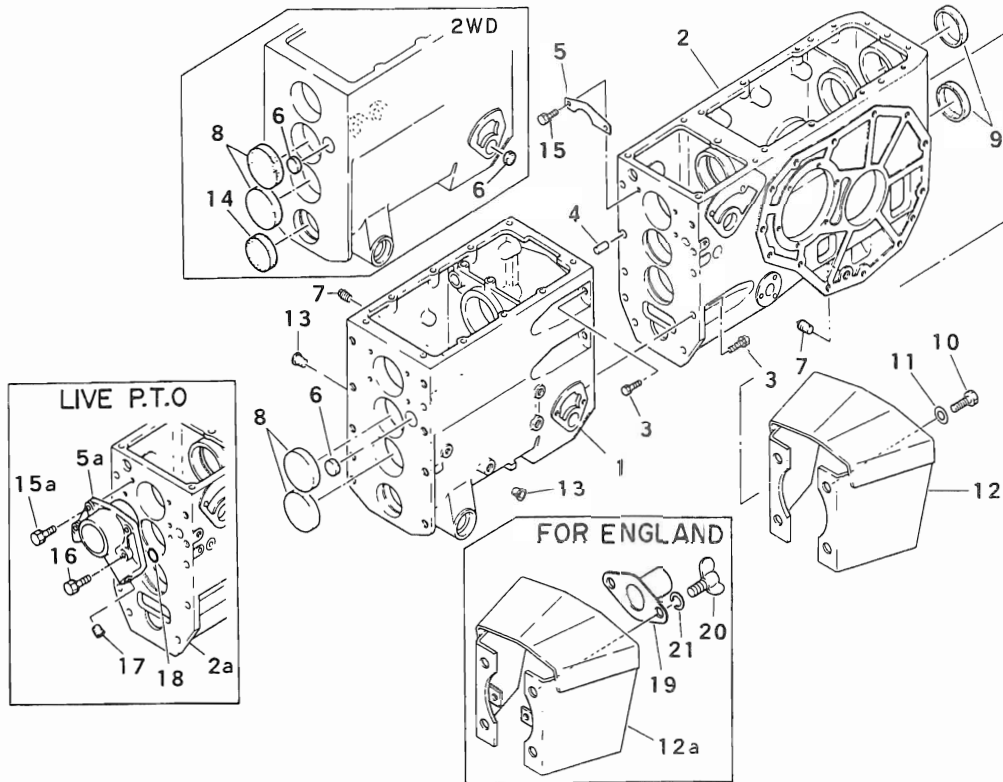
FIG.401 CLUTCH HOUSING & CLUTCH



4

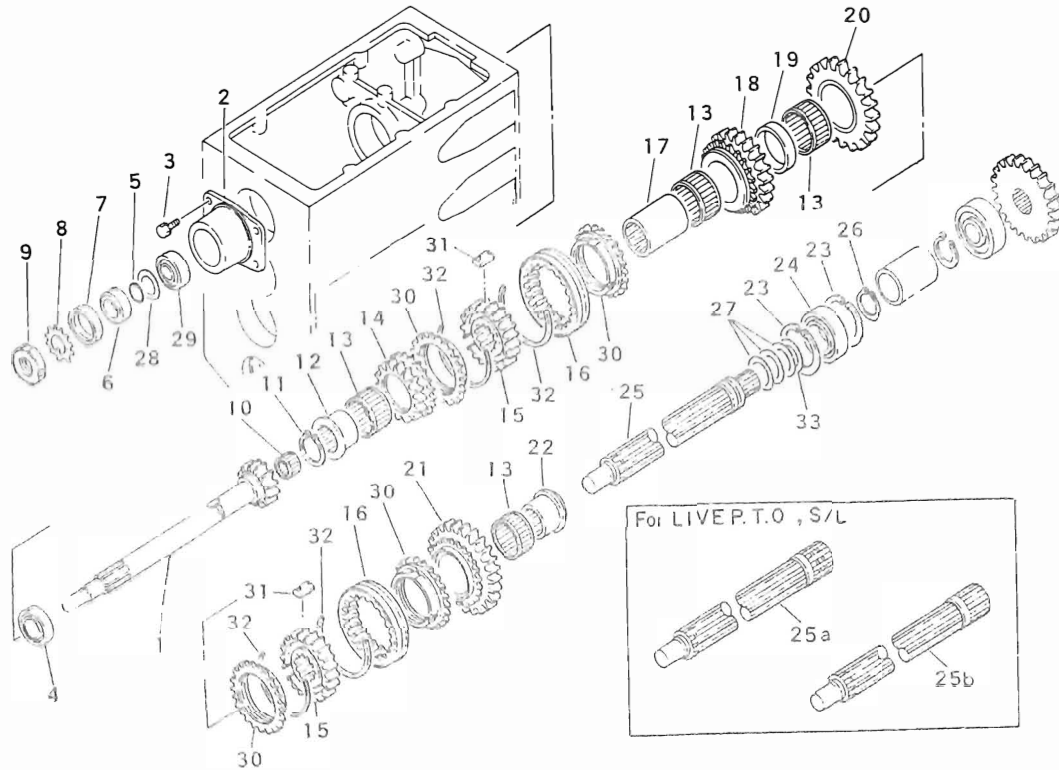
Key No	Parts No	Parts Name	Q'ty				P	Application	Description	Remarks
			21PS	25PS						
18	1021 1115 002	HUB	1	1				210D 50162~ 210 10111~ 250D 50312~ 250 10146~		
	○	HUB	1	1			B		1021 1115 001	
19	1021 1116 001	FORK,release	1	1						
20	1021 1117 0C2	SHAFT,release	1	1						
21	1176 1015 000	BEARING,release	1	1						
22	1021 1119 000	BUSHING	2	2				210D 50162~ 210 10111~ 250D 50312~ 250 10146~		
	○	BUSHING	2	2			B		05605-02215	
23	F2855-06035	PIN,clevis	1	1				φ6X35		
24	0350 0130 613	WASHER	1	1				M6		
25	0520 0116 012	PIN,split	1	1				φ1 6X12		
26	0830 0110 170	O-RING	2	2				φ17		

FIG.402 TRANSMISSION HOUSING



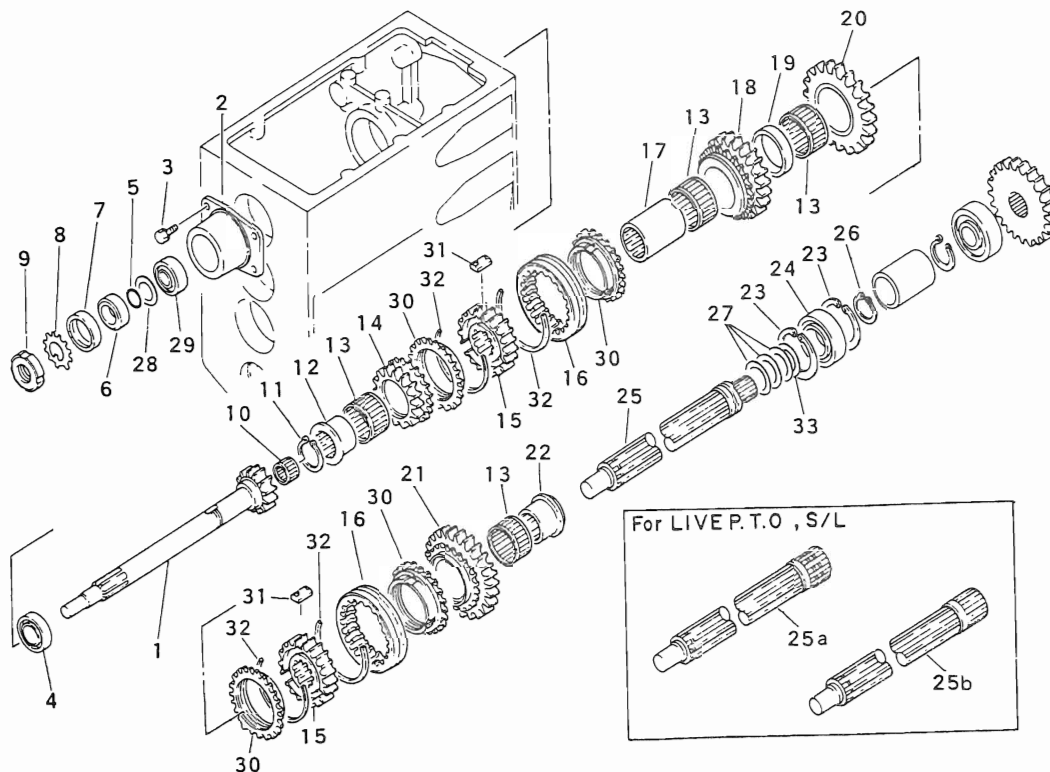
Key No	Parts No	Parts Name	Q'ty				F/P	Application	Description	Remarks
			4WD	2WD						
1	1021 1211 0C0	HOUSING	1	1						
2	1983 1221 0C1	HOUSING DIFE.	1	1						
2a	1983 1266 0C0	HOUSING DIFF.	1	1					For Live P.T.O	
3	F154 0112 035	BOLT,w/washer	8	8				M12X35		
4	0540 1010 018	PIN,dowel	2	2				φ10X18		
5	1021 1289 002	PLATE	1	1						
	○	PLATE	1	1			A		1021 1289 001	
5a	1983 1274 002	HOLDER,bearing	1	1					For Live P.T.O	
6	1015 0203 000	CAP,rubber	1	2						
7	A600 0201 000	PLUG	3	3				PT= 3/8		
8	1021 1259 000	CAP,rubber	2	2						
9	1174 1282 000	CAP,rubber	2	2						
10	A040 0114 020	BOLT	4	4				M14X20		
11	A360 0101 402	WASHER,spring	4	4				M14		
12	1983 1245 0C1	COVER P.T.O	1	1						
	○	COVER P.T.O	1	1			A		1983 1245 0C0	
12a	1984 1226 0C0	COVER P.T.O	1	•					Deleted	
13	05534-12000	PLUG	6	6						
14	1142 1607 000	CAP,rubber	•	1						
15	F154 0108 020	BOLT,w/washer	2	2				M8X20		
15a	F154 0108 025	BOLT,w/washer	2	2				M8X25	For Live P.T.O	
16	F154 0108 035	BOLT,w/washer	2	2				M8X35	For Live P.T.O	
17	A601 0101 000	PLUG	2	2					For Live P.T.O	
18	0830 1100 080	O-RING	2	2				φ8	For Live P.T.O	
19	1984 1227 000	CAP,shield	1	•					Deleted	
20	A140 0600 812	BOLT,wing	2	•				M8X12	Deleted	
21	A360 0100 802	WASHER,spring	2	•				M8	Deleted	

FIG.403 DRIVE & COUNTER SHAFT



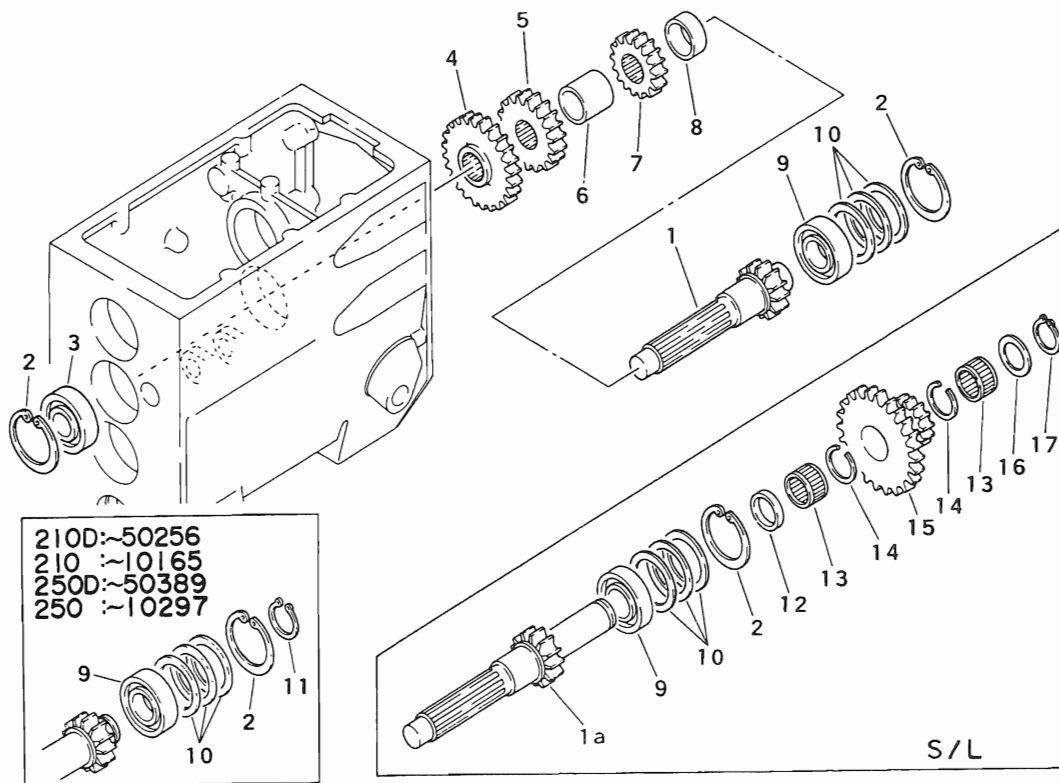
Key No	Parts No	Parts Name	Q'ty		P/P	Application	Description	Remarks
			4WD	2WD				
1	1983 1211 000	SHAFT,drive	1	1				
2	1021 1223 000	HOLDER,bearing	1	1				
3	F154 0108 020	BOLT,w/washer	4	4			M8X20	
4	0770 0130 205	BEARING	1	1				
	0	BEARING	1	1		A		1135 1313 000
5	0830 0100 250	O-RING	1	1			φ25	
6	1021 1224 000	BUSHING						
7	0840 1040 528	SEAL,oil					φ40.528	
8	0328 0102 501	WASHER,tooth					M25	
9	A327 0102 500	NUT					M25	
10	0780 2202 617	BEARING,needle						
11	0740 0103 200	RING,snap					φ37	
12	1021 1222 000	RETAINER						
13	0780 2404 527	BEARING,needle	4	4				
14	1984 1221 000	GEAR	1	1				
15	69526-01000	HUB	2	2				
16	69526-01100	SLEEVE	2	2				
17	1021 1221 000	SLEEVE						
18	1984 1222 000	GEAR						
19	1021 1225 000	COLLAR						
20	1984 1223 000	GEAR						
21	1984 1224 000	GEAR						
22	1176 1382 000	RETAINER						
						D	100 50257 200 10168 250D 50390 ~ 250 10298 ~	
	1021 1226 000	RETAINER	1	1				
23	0741 0106 200	RING,snap	2	2			φ62 6007	
24	0750 0060 070	BEARING	1	1				
25	1983 1212 000	SHAFT	1	1				
25a	1983 1267 000	SHAFT	1	1				For STD
25b	1021 1215 000	SHAFT	1	1				For Live P T O
26	0740 0103 500	RING,snap	1	1			φ35	
27	0730 0004 202	LINER	AR	AR			t=0.2	
	0730 0004 204	LINER	AR	AR			t=0.4	

FIG.403 DRIVE & COUNTER SHAFT



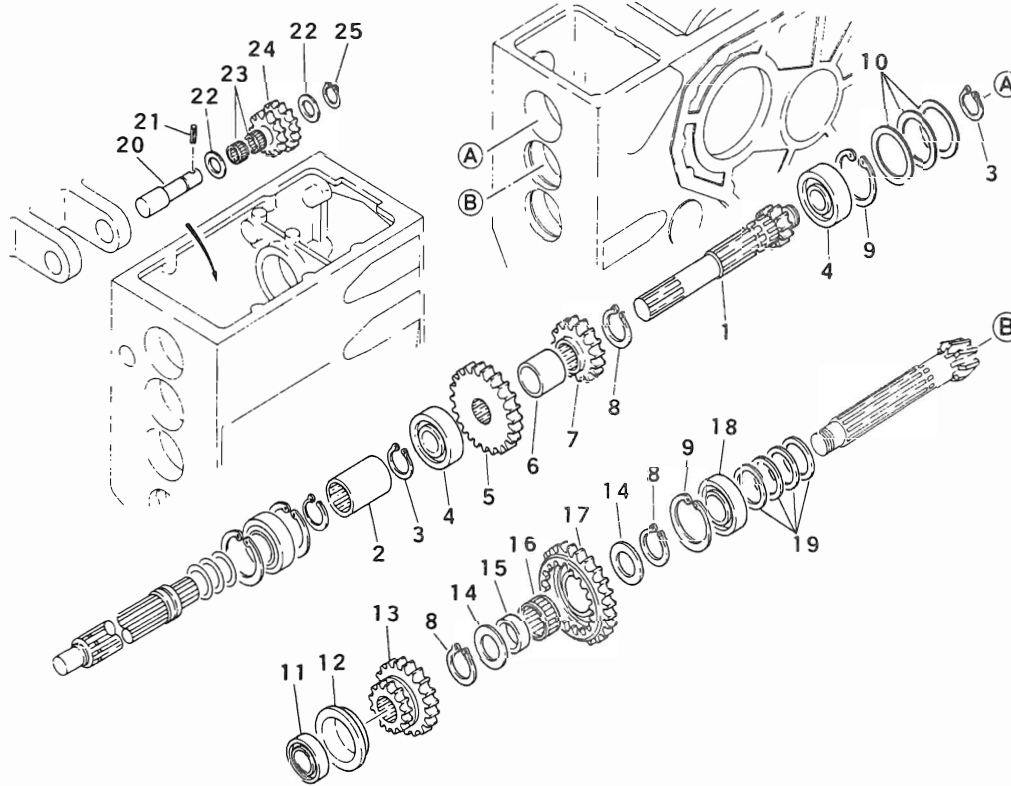
Key No	Parts No	Parts Name	Q'ty				P	Application	Description	Remarks
			4WD	2WD						
	0730 0004 206	LINER	AR	AR				t=0.6		
28	0731 0002 516	LINER	1	1				t=1.6		
29	0750 0562 054	BEARING	1	1				6205DD		
30	68226-03500	RING	4	4						
31	68226-03600	PIECE	6	6						
32	68226-03700	SPRING	4	4						
33	0730 0004 216	LINER	1	1				t=1.6		

FIG.404 MAIN SHAFT



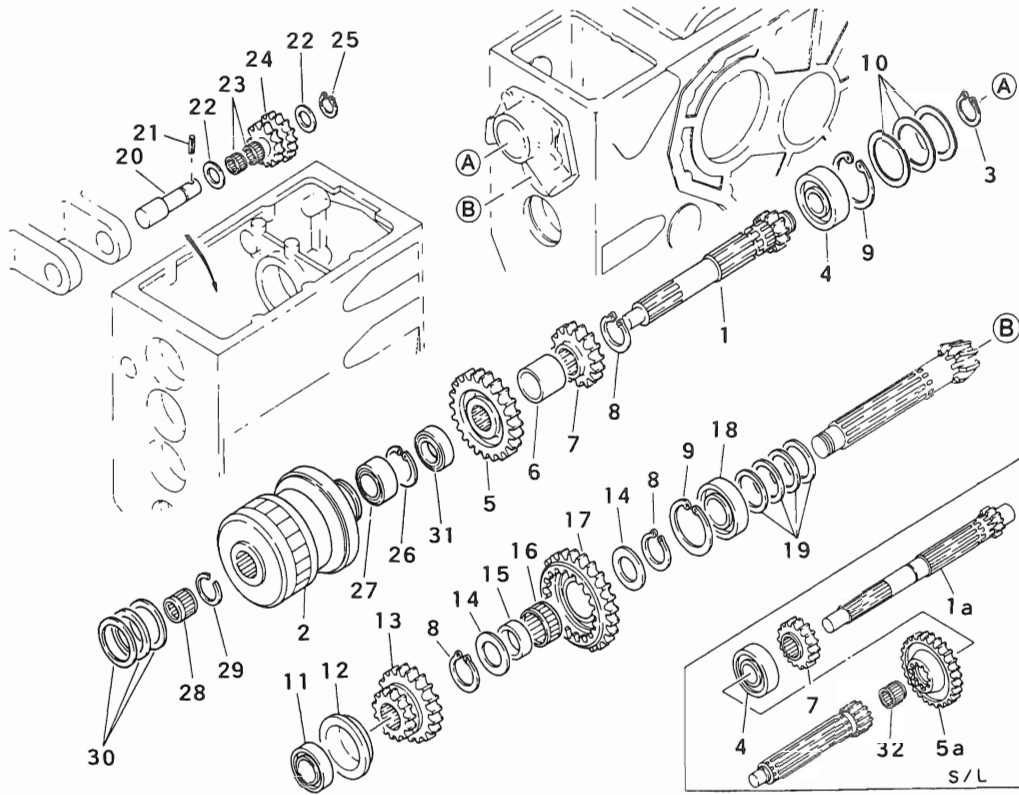
Key No	Parts No	Parts Name	Q'ty				P	Application	Description	Remarks
			STD	S/L						
1	1022 1214 000	SHAFT	1	1			A			
	○	SHAFT	1	1						1983 1213 001
1a	1022 1222 000	SHAFT	•	1						
2	0741 0106 200	RING,snap	2	2					φ62	
3	0750 0263 050	BEARING	1	1					6305	
4	1983 1214 001	GEAR	1	1						
5	1021 1233 001	GEAR	1	1						
6	1021 1235 001	SPACER	1	1				210D 50162 210 10111 250D 50312 250 10146		
	○	SPACER	1	1			B			
7	1021 1234 000	GEAR	1	1						1021 1235 000
8	67427-01300	SPACER	1	1						
9	0750 0262 060	BEARING	1	1					6206	
10	0730 0006 201	LINER	AR	AR					t= 0 1	
	0730 0006 204	LINER	AR	AR					t= 0 4	
	0730 0006 208	LINER	AR	AR					t= 0 8	
11	0740 0103 000	RING,snap	1	1				210D ~50256 210 ~10165 250D ~50389 250 ~10297	Deleted Deleted Deleted Deleted	
12	1021 1237 000	COLLAR	•	1						
13	67427-01200	BEARING,niddle	•	2						
14	1021 1238 000	RING,snap	•	2						
15	1021 1236 000	GEAR	•	1						
16	67326-02402	SPACER	•	1						
17	0740 0103 000	RING,snap	•	1				φ30		

FIG.405 COUNTER P.T.O SHAFT (STD)



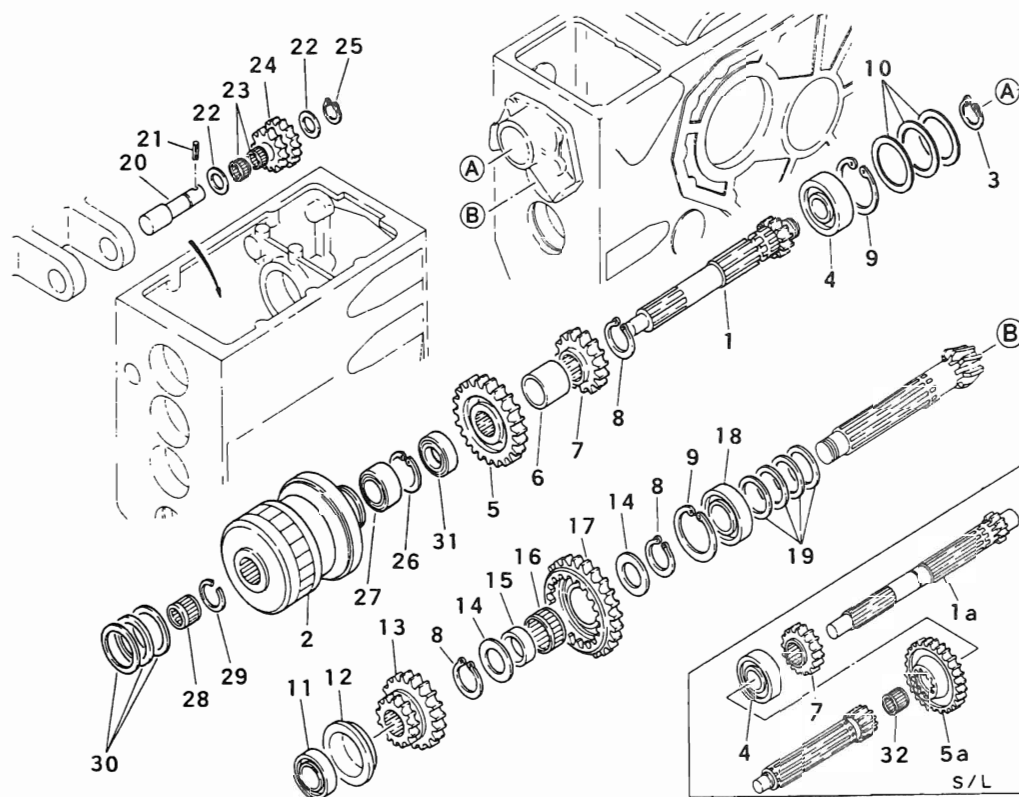
Key No	Parts No	Parts Name	Q' t y				P	Application	Description	Remarks
			4WD	2WD						
1	1983 1218 001	SHAFT	1	1						
2	67426-01500	COUPLING	1	1						
3	0740 0102 500	RING,snap	2	2				φ25		
4	0750 0063 050	BEARING	2	2				6305		
5	1021 1273 000	GEAR	1	1						
6	1021 1275 000	SPACER	1	1						
7	1021 1274 001	GEAR	1	1						
8	0740 0103 000	RING,snap	3	3				φ30		
9	0741 0106 200	RING,snap	2	2				φ62		
10	0730 0006 201	LINER	AR	AR				t=0.1		
	0730 0006 204	LINER	AR	AR				t=0.4		
	0730 0006 208	LINER	AR	AR				t=0.8		
11	0770 0133 205	BEARING	1	1						
	○	BEARING	1	1			A		0770 0033 205	
12	1021 1284 000	HOLDER,bearing	1	1						
13	1021 1282 001	GEAR	1	1						
14	1021 1283 001	WASHER	2	2						
15	1021 1288 000	RACE,inner	1	1						
16	0780 2354 017	BEARING,needle	1	1						
17	1983 1219 000	GEAR	1	1						
18	0770 0132 206	BEARING	1	1						
	○	BEARING	1	1			A		0770 0032 206	
19	67700-30300	SHIM	AR	AR				t=0.075		
	67700-30400	SHIM	AR	AR				t=0.15		
	67700-30500	SHIM	AR	AR				t=0.25		
	67700-30600	SHIM	AR	AR				t=0.76		
20	1021 1251 000	SHAFT	1	1						
21	0550 0005 032	PIN,spring	1	1				φ5X32		
22	1456 1157 000	LINER B	2	2						
23	0780 2182 417	BEARING,needle	2	2						
24	1021 1252 000	GEAR	1	1						
25	0740 0101 800	RING,snap	1	1				φ18		

FIG.406 COUNTER P.T.O SHAFT (LIVE P.T.O & S/L)



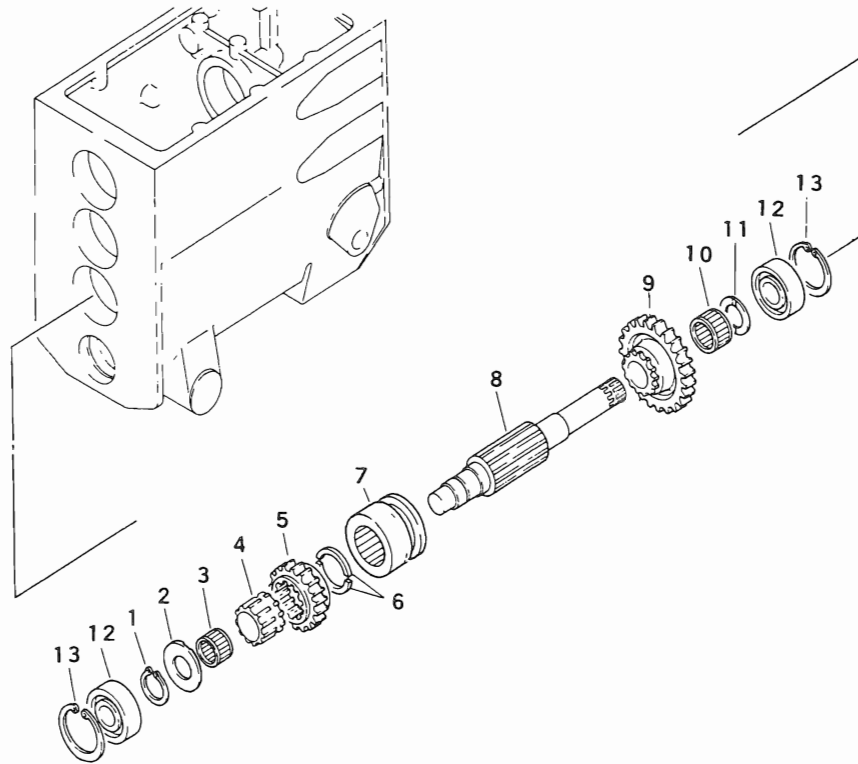
Key No	Parts No	Parts Name	Q'ty				P	Application	Description	Remarks
			LIVE	S/L						
1	1983 1268 000	SHAFT	1	•						
1a	1984 1231 000	SHAFT	•	1						
2	1983 1269 002	CLUTCH	1	•						
3	0740 0102 500	RING, snap	1	1				φ25	See Fig 410	
4	0750 0063 050	BEARING	1	2				φ305		
5	1983 1273 001	GEAR	1	•						
5a	1021 1276 000	GEAR	•	1						
6	1021 1275 000	SPACER	1	1						
7	1021 1274 001	GEAR	1	1						
8	0740 0103 000	RING, snap	3	3				φ30		
9	0741 0106 200	RING, snap	2	2				φ62		
10	0730 0006 201	LINER	AR	AR				t= 0 1		
	0730 0006 204	LINER	AR	AR				t= 0 4		
	0730 0006 208	LINER	AR	AR				t= 0 8		
11	0770 0133 205	BEARING	1	1						
	○	BEARING	1	1			A		0770 0033 205	
12	1021 1284 000	HOLDER, bearing	1	1						
13	1021 1282 001	GEAR	1	1						
14	1021 1283 001	WASHER	2	2						
15	1021 1288 000	RACE, inner	1	1						
16	0780 2354 017	BEARING, needle	1	1						
17	1983 1219 000	GEAR	1	1						
18	0770 0132 206	BEARING	1	1						
	○	BEARING	1	1			A		0770 0032 206	
19	67700-30300	SHIM	AR	AR				t= 0.075		
	67700-30400	SHIM	AR	AR				t= 0 15		
	67700-30500	SHIM	AR	AR				t= 0 25		
	67700-30600	SHIM	AR	AR				t= 0 6		
20	1021 1251 000	SHAFT	1	1						
21	0550 0005 032	PIN, spring	1	1				φ5X32		
22	1456 1157 000	LINER B	2	2						
23	0780 2182 417	BEARING, needle	2	2						
24	1021 1252 000	GEAR	1	1						
25	0740 0101 800	RING, snap	1	1				φ18		
26	0741 0105 200	RING, snap	1	•				φ52		

FIG.406 COUNTER P.T.O SHAFT (LIVE P.T.O & S/L)



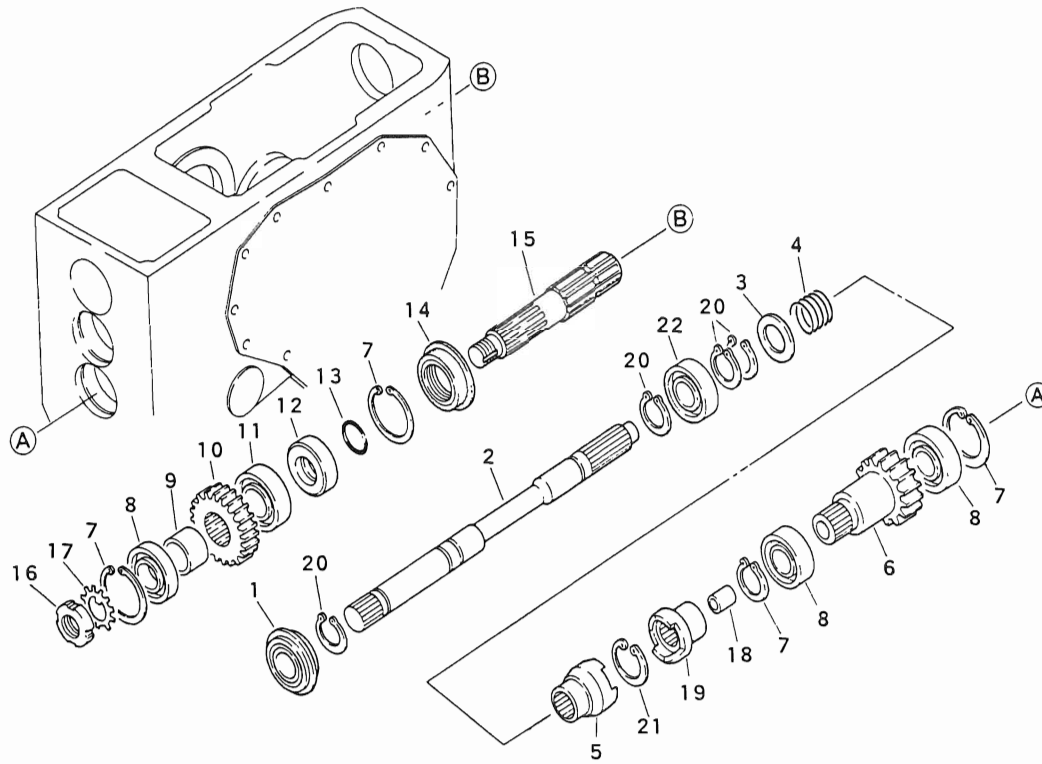
Key No	Parts No	Parts Name	Q' t y				R/P	Application	Description	Remarks
			LIVE	S/L						
27	0810 0052 052	BEARING	1	•						
28	1007 1205 000	BEARING,needle	1	•						
29	0746 1002 100	RING,snap	1	•				φ21		
30	0730 0004 702	LINER	AR	•				t=0.2		
	0730 0004 704	LINER	AR	•				t=0.4		
	0730 0004 708	LINER	AR	•				t=0.8		
31	0840 0040 525	SEAL,oil	1	•						
32	0780 2162 220	BEARING	•	1						

FIG.407 P.T.O SHAFT



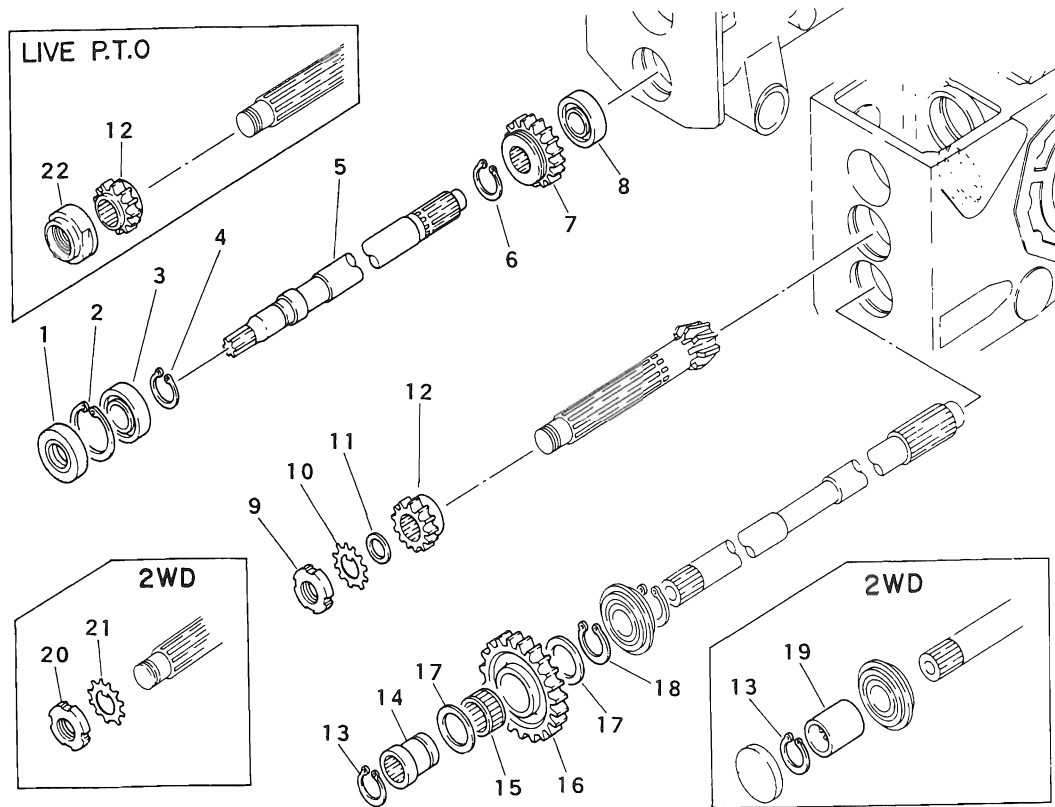
Key No	Parts No	Parts Name	Q'ty				P	Application	Description	Remarks
			4WD	2WD						
1	0740 0102 800	RING,snap	1	1				φ28		
2	1021 1246 000	LINER	1	1						
3	0780 2283 317	BEARING,needle	1	1						
4	1021 1243 001	BOSS,spline	1	1			210D 50162~ 210 10111~ 250D 50312~ 250 10146~			
	○	BOSS,spline	1	1			B		1021 1243 000	
5	1983 1215 002	GEAR	1	1						
	1983 1215 001	GEAR	1	1						
6	1021 1245 001	RING,split	2	2			201D 50162~ 210 10111~ 250D 50312~ 250 10146~			
	○	RING,split	2	2			B		1021 1245 000	
7	1983 1216 002	CLUTCH	1	1						
8	1021 1241 001	SHAFT	1	1						
9	1983 1217 000	GEAR	1	1						
10	0780 2303 520	BEARING,needle	1	1						
11	67426-04600	LINER	1	1						
12	0750 0063 050	BEARING	2	2				6305		
13	0741 0106 200	RING,snap	2	2				φ62		

FIG.408 SUB P.T.O SHAFT (1/2)



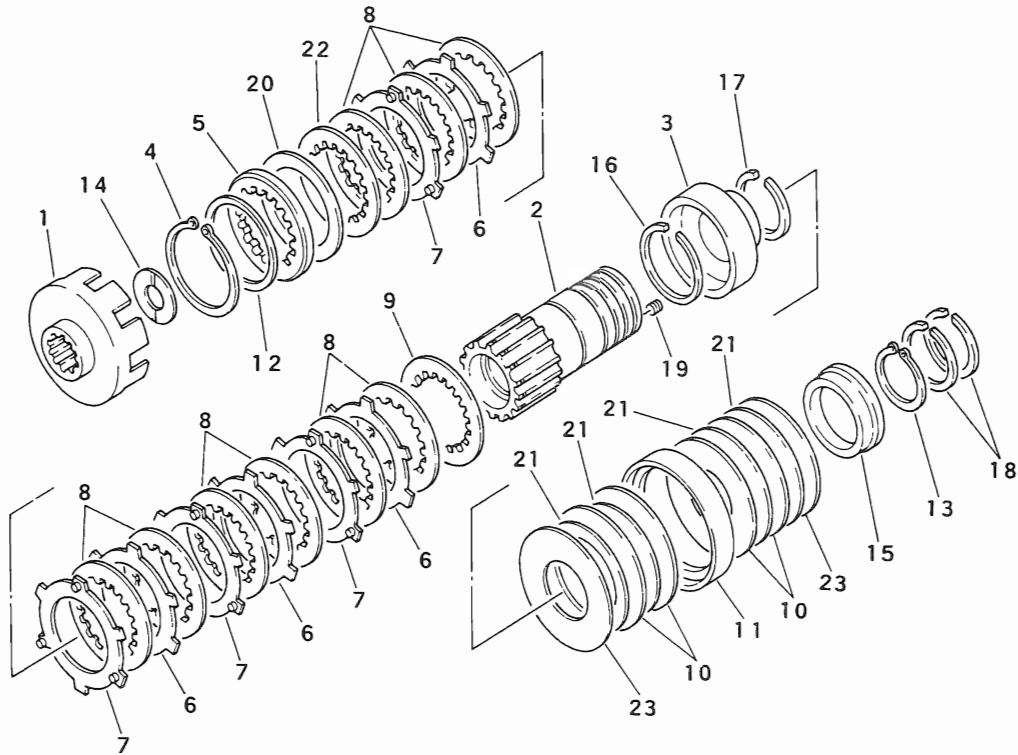
Key No	Parts No	Parts Name	Q' t y				F/P	Application	Description	Remarks
			4WD	2WD						
1	0750 0063 055	BEARING	1	1				6305NR		
2	1983 1222 001	SHAFT SUB P.T.O	1	1						
3	1231 2209 000	WASHER	1	1						
4	69426-80600	SPRING	1	1						
5	1983 1272 000	CLUTCH B	1	1						
6	1983 1223 001	GEAR	1	1						
7	0741 0106 200	RING,snap	4	4				φ62		
8	0750 0263 050	BEARING	3	3				6305		
9	1021 1293 000	SPACER	1	1						
10	1983 1229 001	GEAR	1	1						
11	0810 0052 062	BEARING	1	1				5206		
12	1021 1313 000	BUSHING	1	1						
13	0830 0200 300	O-RING	1	1				φ30		
14	1021 1314 000	SEAL,oil	1	1						
15	1021 1311 000	SHAFT,p.t.o	1	1						
16	A327 0102 500	NUT	1	1				M25		
17	0328 0102 501	WASHER	1	1				M25		
18	1983 1233 001	BUSHING	1	1						
19	1983 1271 000	CLUTCH A	1	1						
20	0740 0102 500	RING,snap	4	4				φ25		
21	0741 0102 600	RING,snap	1	1				φ26		
22	0750 0063 050	BEARING	1	1						

FIG.409 SUB P.T.O SHAFT (2/2)



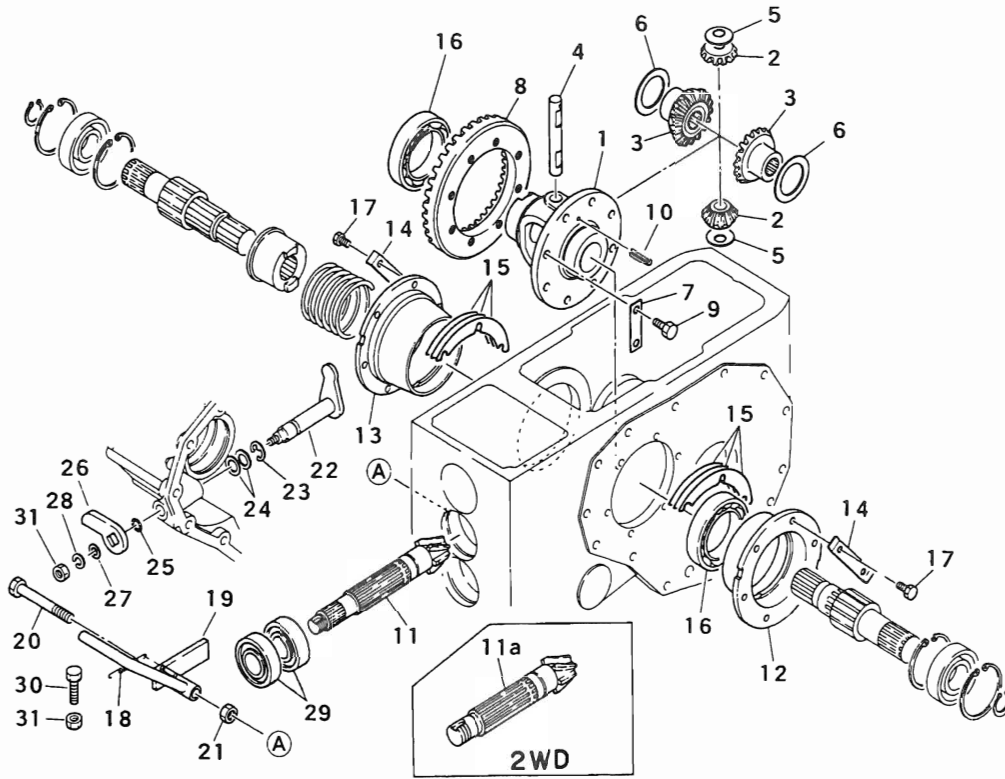
Key No	Parts No	Parts Name	Q'ty				P/P	Application	Description	Remarks
			4WD	2WD						
1	1021 1267 000	SEAL,oil	1	•						
2	0741 0105 200	RING,snap	1	•				φ52		
3	0750 0062 050	BEARING,ball	1	•				6205		
4	0740 0102 500	RING,snap	1	•				φ25		
5	1021 1261 000	SHAFT	1	•						
6	0740 0102 500	RING,snap	1	•				φ25		
7	1021 1268 000	GEAR	1	•						
8	0750 0063 040	BEARING	1	•				6304		
9	A327 0102 000	NUT	1	•				M20		For STD
10	0328 0102 001	WASHER	1	•				M20		For STD
11	1021 1287 000	WASHER	1	•						For STD
12	1984 1225 000	GEAR	1	•						
13	0740 0102 500	RING,snap	1	1				φ25		
14	1021 1264 001	RETAINER	1	•						
15	0780 2354 220	BEARING,needle	1	•						
16	1021 1265 000	GEAR	1	•						
17	1021 1266 001	WASHER	2	•						
18	0740 0103 500	RING,snap	1	•				φ35		
19	1021 1263 000	RETAINER	•	1						
20	A327 0102 500	NUT	•	1				M25		
21	0328 0102 501	WASHER	•	1				M25		
22	1983 1276 002	NUT	1	•				210D 50162~ 210 10111~ 250D 50312~ 250 10146~		For Live P T O For Live P T O For Live P T O For Live P T O
	O	NUT	1	•			B			1983 1276 001

FIG.410 CLUTCH (LIVE P.T.O)



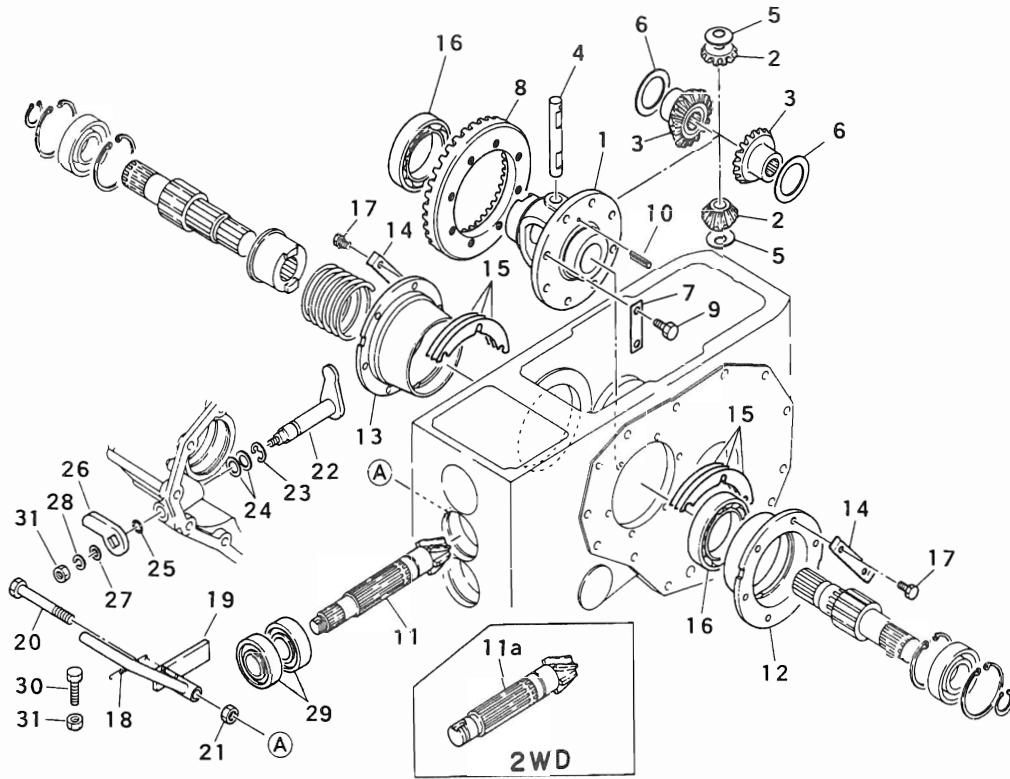
Key No	Parts No	Parts Name	Q' t y				P	Application	Description	Remarks
			4WD	2WD						
1-22	1983 1269 002	CLUTCH ASSY.	1	1						
1	1983 1269 110	COVER	1	1						
2	1983 1269 120	HUB ASSY.	1	1						
3	1983 1269 130	PISTON	1	1						
4	0740 0106 000	RING,snap	1	1				φ60		
5	1983 1269 150	PLATE,back	1	1						
6	1983 1269 160	PLATE	4	4						
7	1983 1269 170	PLATE ASSY.	4	4						
8	1983 1269 180	DISK ASSY.	9	9						
9	1983 1269 190	PLATE	1	1						
10	1983 1269 211	SPRING	4	4						
11	1983 1269 221	SPRING,suport	1	1						
12	1983 1269 230	SHIM	AR	AR						
13	0746 1005 000	RING,snap	1	1				φ50		
14	1983 1269 250	WASHER,thrust	1	1						
15	1983 1269 260	GUIDE,spring	1	1						
16	1983 1269 271	RING,seal	1	1						
17	1983 1269 281	RING,seal	1	1						
18	1983 1269 290	RING,seal	2	2						
19	1983 1269 310	PLUG	1	1						
20	1983 1269 321	SPRING	1	1						
21	1983 1269 330	SPACER	4	4						
22	1983 1269 350	PLATE	1	1						
23	1983 1269 360	SPRING	2	2						

FIG.411 FINAL DRIVE



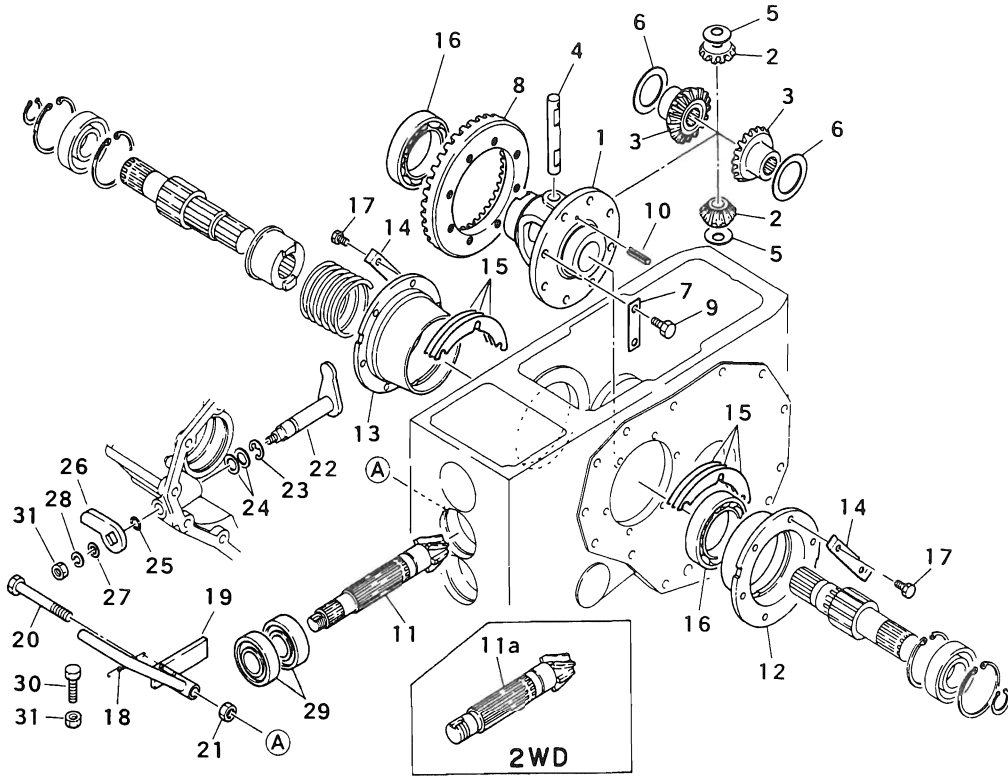
Key No	Parts No	Parts Name	Q'ty				P	Application	Description	Remarks
			4WD	2WD						
1-11	1021 1402 002	GEAR CASE ASSY	1	•						
	○	GEAR CASE ASSY	1	•			A		1021 1402 001	
1-10	1021 1401 002	GEAR CASE ASSY	•	1					Inc the No 11a	
	○	GEAR CASE ASSY	•	1			A		1021 1401 001	
1	1021 1411 000	CASE,diff.	1	1						
2	1021 1412 001	PINION,diff.	2	2				210D.50257~ 210 10166~ 250D 50362~ 250 10286~		
	1021 1412 000	PINION,diff.	2	2			D			
3	1021 1413 001	GEAR,side	2	2				210D 50257~ 210 10166~ 250D 50362~ 250 10286~		
	1021 1413 000	GEAR,side	2	2			D			
4	1021 1414 000	SHAFT, pinion	1	1						
5	1021 1415 001	WASHER,thrust	2	2				210D 50257~ 210 10166~ 250D 50362~ 250 10286~		
	1021 1415 000	WASHER,thrust	2	2			D			
6	1021 1416 000	WASHER,thrust	C	C				210D ~50256 210 ~10165 250D ~50369 250 ~10285	t= 1.0 Deleted t= 1.0 Deleted t= 1.0 Deleted t= 1.0 Deleted	
	1021 1416 001	WASHER,thrust	2	2						
6	1021 1416 100	WASHER,thrust	C	C			D		t= 1.2 Deleted	
	1021 1416 200	WASHER,thrust	C	C				210D ~50256 210 ~10165 250D ~50361 250 ~10285	t= 1.4 Deleted t= 1.4 Deleted t= 1.4 Deleted t= 1.4 Deleted	
7	1021 1417 000	WASHER,lock	4	4						

FIG.411 FINAL DRIVE



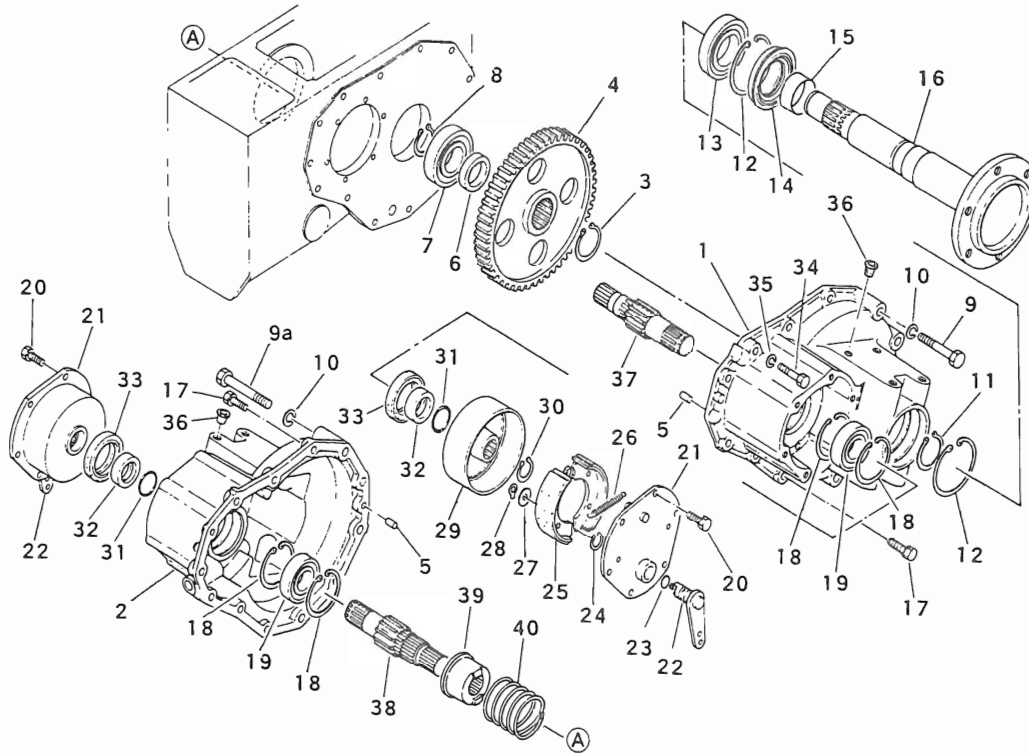
Key No	Parts No	Parts Name	Q'ty				F/P	Application	Description	Remarks
			4WD	2WD						
8	1021 1418 001	GEAR,ring	1	1				210D.50257~ 210 10166~ 250D.50362~ 250 10286~		
9	1021 1418 000	GEAR,ring	1	1			D			
	A040 0110 020	BOLT	8	8				M10X20		
10	0550 0006 040	PIN,spring	1	1				φ6X40		
	○	PIN,spring	1	1			A	φ6X30	0550 0006 030	
11	1021 1422 002	SHAFT,pinion	1	•				250D 50362~ 210D 50257~		
	1021 1422 001	SHAFT,pinion	1	•			D			
11a	1021 1421 002	SHAFT,pinion	•	1				250 10286~ 210 10166~	Inc the No 11a Inc the No 11a Inc the No 11a	
	1021 1421 001	SHAFT,pinion	•	1			D			
12	1021 1431 000	HOLDER L.H	1	1						
13	1021 1432 000	HOLDER R.H	1	1						
14	1021 1433 001	PLATE,lock	6	6						
15	1021 1435 000	SHIM	AR	AR				t=0.2		
	1021 1436 000	SHIM	AR	AR				t=0.3		
	1021 1437 000	SHIM	AR	AR				t=0.5		
16	1021 1438 000	BEARING	2	2						
17	A050 0108 020	BOLT	12	12					M8X20	
18	69552-06500	SPRING	1	1						
19	1021 1451 0C2	PEDAL	1	1				210D:50162~ 210 :10111~ 250D:50312~ 250 :10146~		
	○	PEDAL	1	1			B		1021 1451 0C1	
20	A054 0112 090	BOLT	1	1				M12X90		
21	A300 0112 001	NUT	1	1				M12		
22	1135 1801 000	SHIFTER	1	1						
23	0742 0001 200	E-RING	1	1				φ12		
24	0731 0001 504	LINER	AR	AR				t=0.4		
	0731 0001 512	LINER	AR	AR				t=1.2		
25	0830 0100 110	O-RING	1	1				φ11		

FIG.4 11 FINAL DRIVE



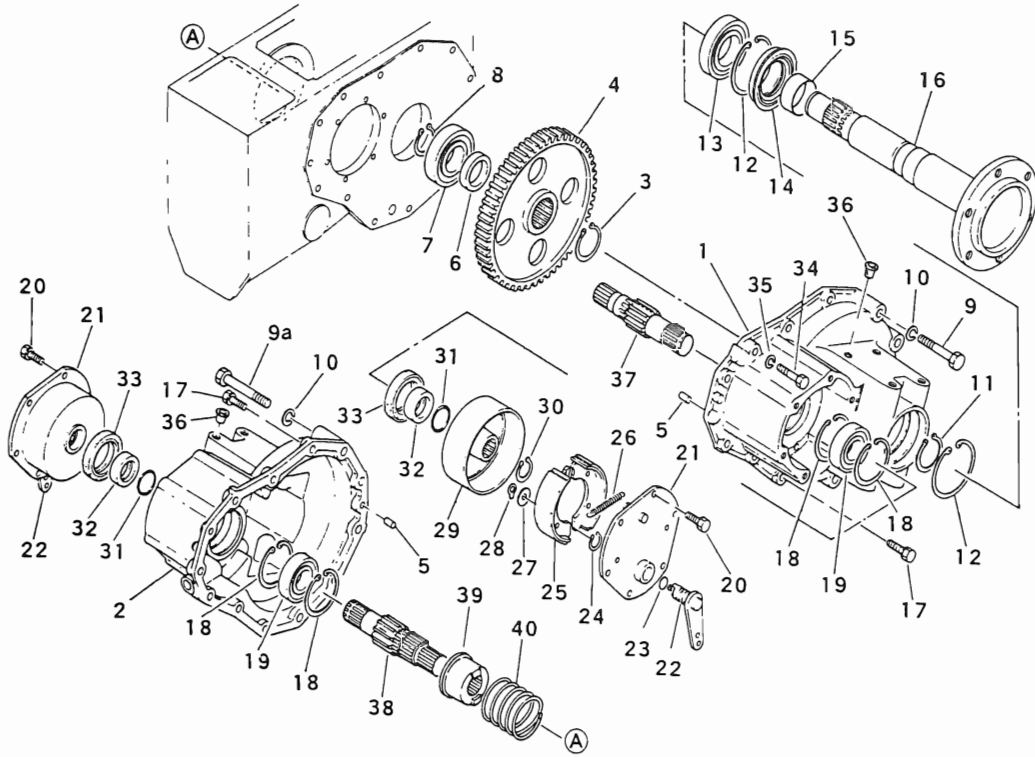
Key No	Parts No	Parts Name	Q' t y				P	Application	Description	Remarks
			4WD	2WD						
26	1135 1804 0C0	ARM	1	1						
27	0350 0150 822	WASHER	1	1				M8		
28	A360 0100 802	WASHER, spring	1	1				M8		
29	0750 0060 120	BEARING	2	2				6012		
30	A050 0108 030	BOLT	1	1				M8X30		
31	A301 0108 002	NUT	2	2				M8		

FIG.501 REAR AXLE



Key No	Parts No	Parts Name	Q'ty				P	Application	Description	Remarks
			4WD	2WD						
1	1021 1511 0C0	HOUSING L.H	1	1						
2	1021 1512 0C0	HOUSING R.H	1	1						
3	0740 0104 800	RING,snap	2	2				φ48		
4	1021 1521 000	GEAR,final	2	2						
5	0540 1010 018	PIN,dowel	4	4				φ10X18		
6	1021 1526 000	COLLAR	2	2						
7	0750 0063 080	BEARING	2	2				6308		
8	0740 0104 000	RING,snap	2	2				φ40		
9	A054 0112 080	BOLT	4	4				M12X80		
9a	A054 0112 090	BOLT	6	6				M12X90		
10	A360 0101 202	WASHER,spring	10	10				M12		
11	0740 0105 000	RING,snap	2	2				φ50		
12	0741 0109 000	RING,snap	4	4				φ90		
13	0750 0062 100	BEARING,ball	2	2				6210		
14	0841 2579 013	SEAL,oil	2	2						
15	1021 1525 000	SI-SLEEVE	2	2						
16	1021 1524 0C1	SHAFT,axle	2	2						
17	F155 0110 035	BOLT,w/washer	12	12				M10X35		
18	0741 0107 200	RING,snap	4	4				φ72		
19	0750 0263 060	BEARING	2	2				6306		
20	F155 0110 025	BOLT,w/washer	12	12				M10X25		
21~29	1983 1501 0C0	BRAKE ASSY	2	2						
21	1983 1501 110	PLATE ASSY	2	2						
22	1983 1501 130	CAM SHAFT ASSY	2	2						
23	0830 0100 180	O-RING	2	2				φ18		
24	0740 0102 200	RING,snap	2	2				φ22		
25	1983 1501 120	BRAKE SHOE ASSY	4	4						
26	1983 1501 140	SPRING	4	4						
27	1983 1501 150	PLATE,stp	2	2						
28	1983 1501 170	CLIP	2	2						
29	1983 1503 000	DRUM	2	2						
30	0740 0103 000	RING,snap	2	2				φ30		
31	0830 0100 300	O-RING	2	2				φ30		
32	1021 1522 000	BUSHING	2	2						
33	0841 1507 212	SEAL,oil	2	2						

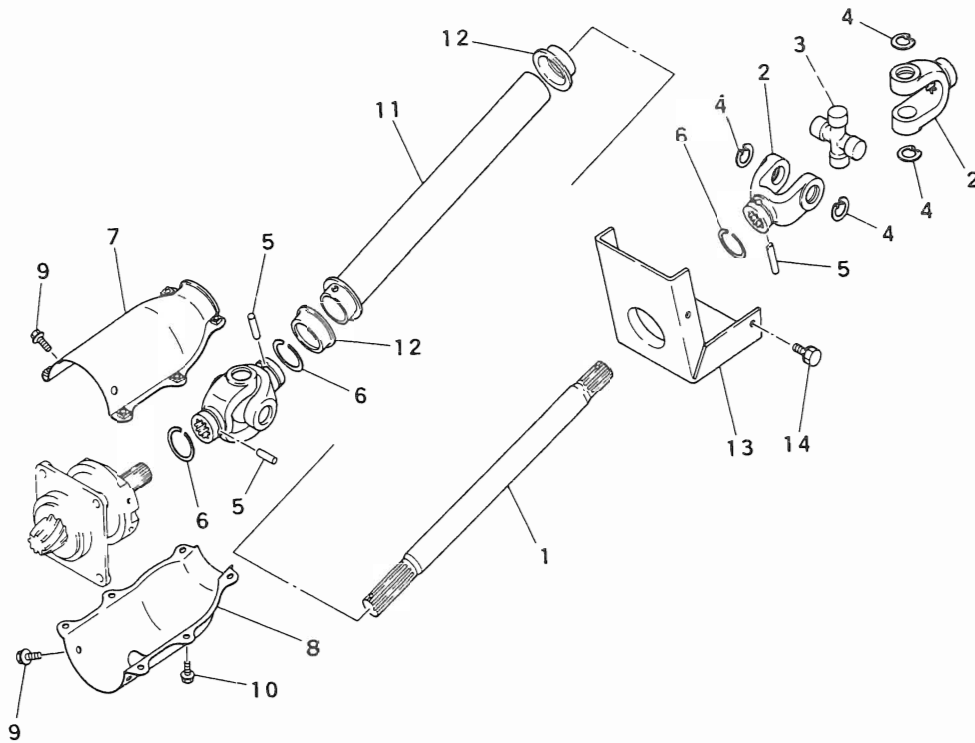
FIG.501 REAR AXLE



5

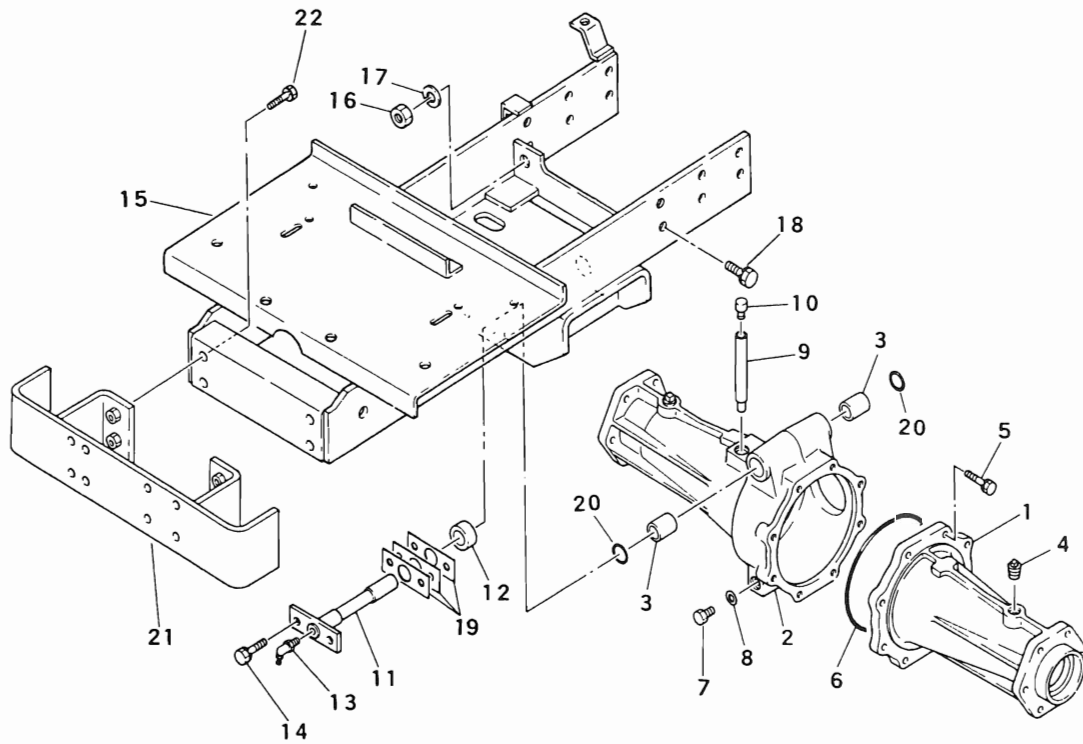
Key No	Parts No	Parts Name	Q'ty				P/P	Application	Description	Remarks
			4WD	2WD						
34	A055 0110 060	BOLT	2	2				M10X60		
35	A360 0101 002	WASHER, spring	2	2				M10		
36	05534-14000	PLUG	12	12						
37	1021 1515 000	SHAFT L.H	1	1						
38	1021 1516 000	SHAFT R.H	1	1						
39	1021 1519 000	SLEEVE	1	1						
40	1021 1523 000	SPRING	1	1						

FIG.502 PROPELLER SHAFT (4WD)



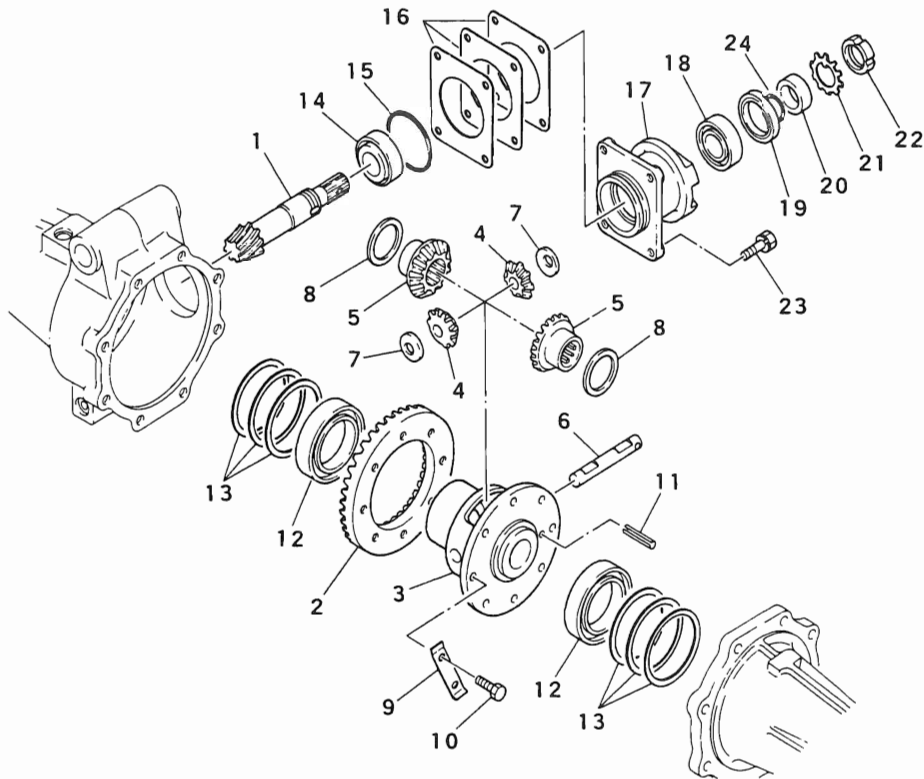
Key No	Parts No	Parts Name	Q' t y				P/P	Application	Description	Remarks
			ALL							
1	1983 1911 0C0	SHAFT	1							
2-4	1007 0552 0C0	JOINT ASSY.	2							
2	1007 0552 100	YOKE,spline	2							
3	1007 0552 200	JOURNAL KIT	1							
4	0741 0102 000	RING,snap	4					φ20		
5	0540 1006 028	PIN,dowel	3					φ6X28		
6	1007 0553 001	RING,snap	3					210D 50162~ 250D 50312~		
	○	RING,snap	3				B		1007 0553 000	
7	1007 0554 0C1	COVER,upper	1							
8	1007 0556 0C1	COVER,lower	1							
9	H144 0106 012	BOLT,w/washer	2					M6X12		
10	H144 0106 016	BOLT,w/washer	6					M6X16		
	○	BOLT,w/washer	6				A	M6X14	H144 0106 014	
11	1983 1912 0C0	COVER	1							
12	1007 0560 000	CUSHION	2							
13	1021 1915 0C0	COVER	1							
14	F154 0108 016	BOLT,w/washer	4					M8X16		

FIG.503 FRONT AXLE BRACKET (4WD)



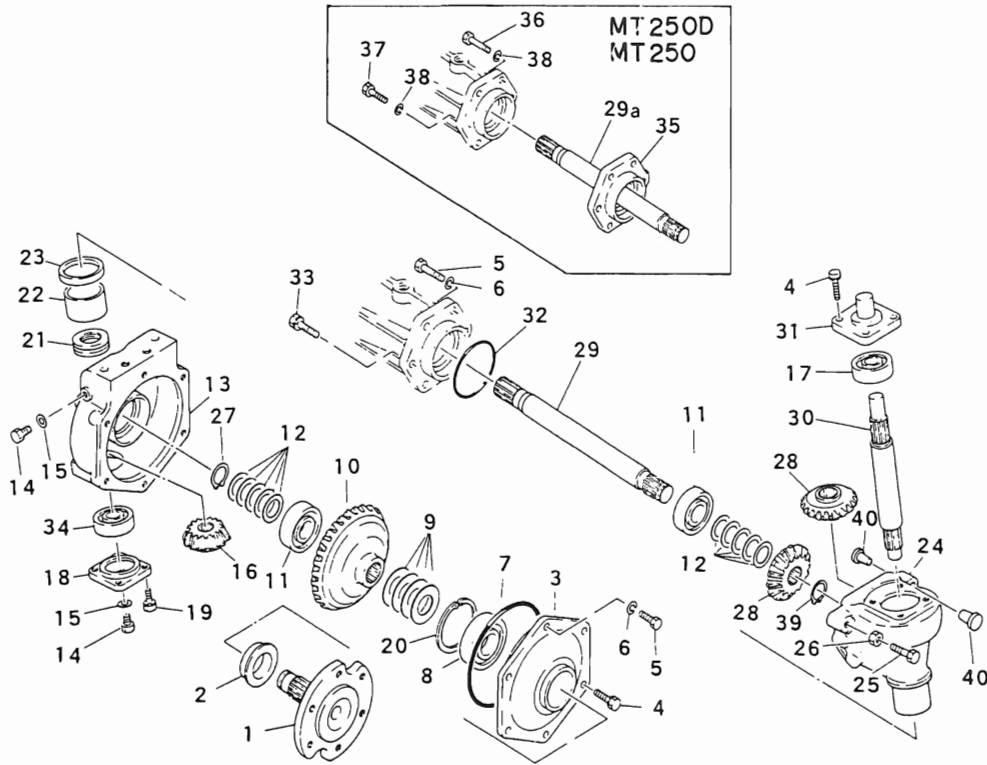
Key No	Parts No	Parts Name	Q'ty				F/P	Application	Description	Remarks
			21PS	25PS						
1	1021 2116 0C0	CENTER B	1	1						
2,3	1021 2105 0C1	AXLE CENTER	1	1						
2	1021 2115 0C3	CENTER A	1	1						
3	67541-00800	BUSING	2	2						
4	A600 0201 000	PLUG	2	2						
5	F155 0110 030	BOLT,w/washer	8	8				M10X30		
6	0830 0501 500	O-RING	1	1				φ150		
7	2740 3214 200	PLUG	1	1						
8	0833 0000 800	WASHER,seat	1	1						
9	1007 0656 0C0	PIPE	1	1						
10	1119 0621 000	PLUG,vent	1	1						
11	1021 2147 0C0	SHAFT,center	1	1						
12	1021 2143 001	COLLAR	1	1						
13	A651 3600 300	NIPPLE,grease	1	1						
14	F155 0110 025	BOLT,w/washer	2	2				M10X25		
15	1984 2153 0C0	BRACKET	1	•				210D 50469~		
	1984 2151 0C2	BRACKET	1	•			D	210D 50132~		
	1984 2151 0C1	BRACKET	1	•			D			
	1984 2152 0C1	BRACKET	•	1						
	○	BRACKET	•	1			A	250D 50723~		1984 2152 0C0
	1984 2111 0C3	BRACKET	•	1			D	250D 50182~		
	1984 2111 0C1	BRACKET	•	1			D			
16	A303 0114 002	NUT	2	2				M14		
17	A360 0101 402	WASHER,spring	2	2				M14		
18	F155 0112 030	BOLT,w/washer	12	12				12X30		
19	1119 0605 000	SHIM	AR	AR				t= 0 2		
	1119 0605 100	SHIM	AR	AR				t= 0 6		
	1119 0605 200	SHIM	AR	AR				t= 1 0		
20	0830 0100 250	O-RING	2	2				φ25		
21	1984 2054 0C1	BUMPER	1	•				210D 50469~		Added
	1984 2015 0C0	BUMPER	•	1				250D 50723~		Added
22	F155 0112 035	BOLT,w/washer	4	4				210D 50469~	M12X35	Added
								250D 50723~	M12X35	Added

FIG.504 FRONT DIFFERENTIAL (4WD)



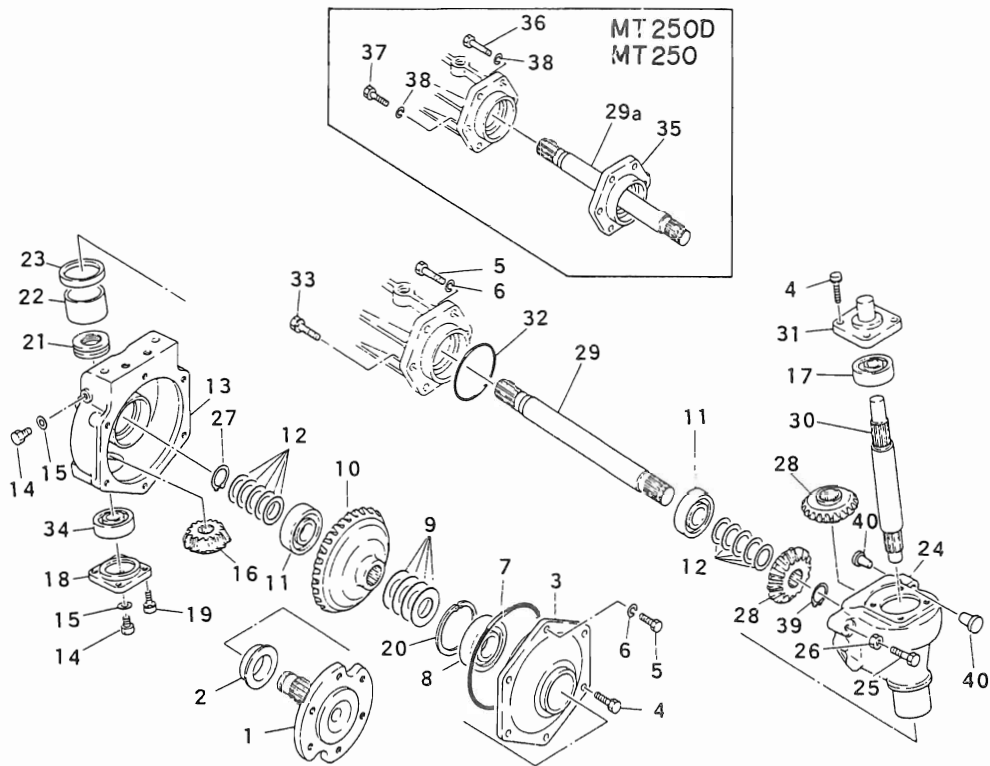
Key No	Parts No	Parts Name	Q'ty				F	Application	Description	Remarks
			21PS	25PS						
1~11	1021 2130 000	GEAR CASE ASSY	1	1						
1	1021 2131 000	SHAFT, pinion	1	1						
2	1021 2132 000	GEAR, ring	1	1						
3	1019 0611 000	CASE, diff	1	1						
4	1021 2134 000	PINION, mate	2	2						
5	1021 2135 000	GEAR, side	2	2						
6	1019 1414 000	SHAFT, pinion	1	1						
7	1019 1415 000	WASHER, thrust	2	2						
8	1019 1416 000	WASHER, thrust	C	C				t = 1.2		
	1021 2138 100	WASHER, thrust	C	C				t = 1.0		
	1021 2138 200	WASHER, thrust	C	C				t = 1.4		
9	1135 1406 000	WASHER, lock	4	4						
10	A050 0108 016	BOLT	8	8				M8X16		
11	0550 0006 040	PIN, spring	1	1				φ6X40		
12	0750 0060 100	BEARING	2	2				6010		
13	1007 0618 000	LINER	AR	AR				t = 0.1		
	1007 0618 100	LINER	AR	AR				t = 0.2		
	1007 0618 200	LINER	AR	AR				t = 0.3		
14	1021 2141 000	BEARING	1	1						
15	0830 0500 600	O-RING	1	1				φ60		
16	1007 0605 000	SHIM	AR	AR				t = 0.1		
	1007 0605 100	SHIM	AR	AR				t = 0.2		
	1007 0605 200	SHIM	AR	AR				t = 0.4		
17	1021 2121 0C0	CASE	1	1						
18	0770 0130 205	BEARING	1	1						
19	0840 1035 529	SEAL, oil	1	1				TC35529		
20	1021 2171 000	BUSHING	1	1				210D:50257~ 250D:50455~		
	1135 3015 000	BUSHING	1	1			D			
21	0328 0102 501	WASHER, lock	1	1				M25		
22	A327 0102 500	NUT, lock	1	1				M25		
23	F154 0108 025	BOLT, w/washer	4	4				M8X25		
24	0830 0200 250	O-RING	1	1				210D:50257~ 250D:50455~	Added Added	

FIG.505 FRONT AXLE GEAR CASE (4WD)



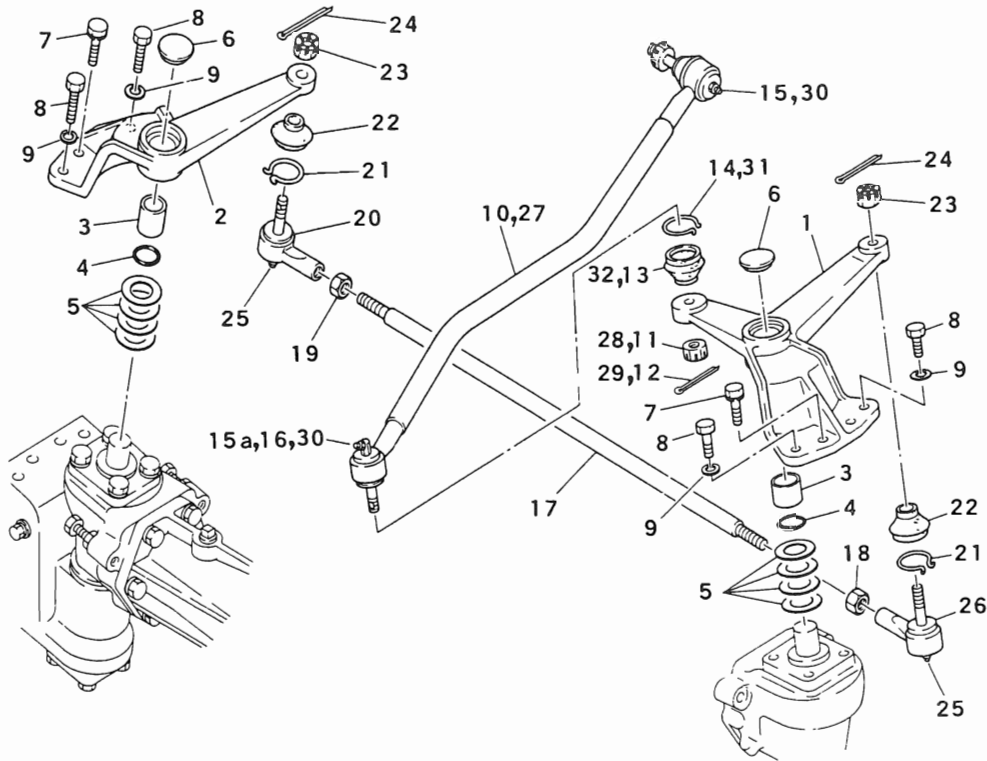
Key No	Parts No	Parts Name	Q'ty				P	Application	Description	Remarks
			21PS	25PS						
1	1983 2112 0C0	SHAFT	2	2						
2	0841 2355 212	SEAL,oil	2	2						
3	1021 2119 0C0	COVER	2	2						
4	F155 0110 025	BOLT,w/washer	18	18				M10X25		
5	69542-64700	BOLT	4	2						
6	A360 0101 002	WASHER,spring	4	2				M10		
7	0830 0501 450	O-RING	2	2				φ145		
8	0750 0063 060	BEARING	2	2				6306		
9	0731 0003 001	LINER	AR	AR				t= 0 1		
	0731 0003 004	LINER	AR	AR				t= 0 4		
	0731 0003 008	LINER	AR	AR				t= 0 8		
	0731 0003 010	LINER	AR	AR				t= 1 0		
	0731 0003 012	LINER	AR	AR				t= 1 2		
10	1021 2123 000	GEAR	2	2						
11	0750 0063 050	BEARING	4	4						
12	1135 3016 000	LINER	AR	AR				t= 0 1		
	0731 0002 504	LINER	AR	AR				t= 0 4		
	0731 0002 508	LINER	AR	AR				t= 0 8		
	0731 0002 510	LINER	AR	AR				t= 1 0		
	0731 0002 512	LINER	AR	AR				t= 1 2		
13	1021 2117 0C0	CASE,gear	2	2						
14	2740 3214 200	PLUG	4	4						
15	0833 0000 800	WASHER,seal	4	4						
16	1021 2124 000	GEAR	2	2						
17	0750 0063 040	BEARING	2	2				6304		
18	1007 0638 0C0	COVER	2	2						
19	F154 0108 020	BOLT,w/washer	8	8				M8X20		
20	0741 0107 200	RING,snap	2	2				φ72		
21	0760 0051 106	BEARING,thrust	2	2						
22	05605-05030	BUSHING	2	2						
23	69542-65100	SEAL,oil	2	2						
24	1021 2118 0C0	CASE,kingpin	2	2						
25	A052 0110 040	BOLT	2	2				M10X40		
26	A303 0110 002	NUT	2	2				M10		
27	0740 0102 500	RING,snap	2	2				φ25		

FIG.505 FRONT AXLE GEAR CASE (4WD)



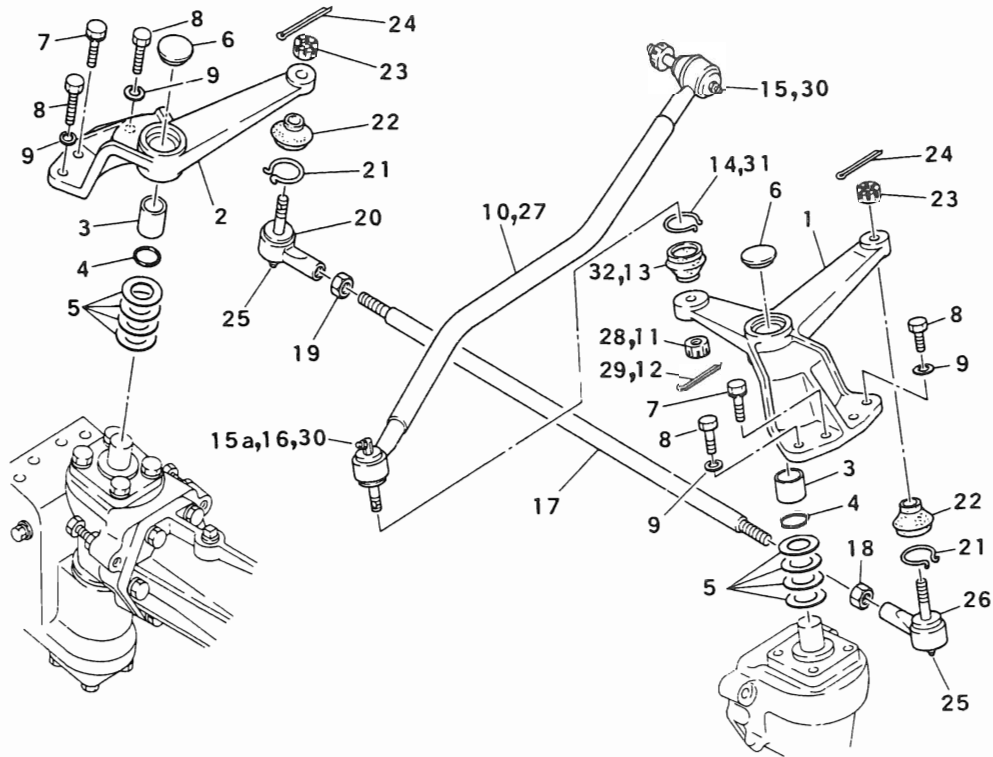
Key No	Parts No	Parts Name	Q' t y				P	Application	Description	Remarks
			21PS	25PS						
28	1021 2125 001	GEAR	4	4				2100 50162~ 2500 50312~		
	○	GEAR	4	4			B			1021 2125 000
29	1983 2126 000	SHAFT	2	•						
29a	1984 2113 001	SHAFT	•	2						
30	1983 2127 000	SHAFT	2	2						
31	1021 2120 000	HOLDER	2	2						
32	0830 0500 750	O-RING	2	2				φ75		
33	F155 0110 030	BOLT,w/washer	10	•				M10X30		
34	0750 0263 040	BEARING	2	2				6304		
35	1984 2116 0C0	SPACER	•	2						
36	1984 2115 0C0	BOLT	•	2						
37	A055 0110 070	BOLT	•	10				M10X70		
38	A360 0101 002	WASHER,spring	•	12						
39	0740 0102 400	RING,snap	2	2				φ24		
40	05534-10000	PLUG	4	4						

FIG.506 TIE ROD & DRAG LINK (4WD)



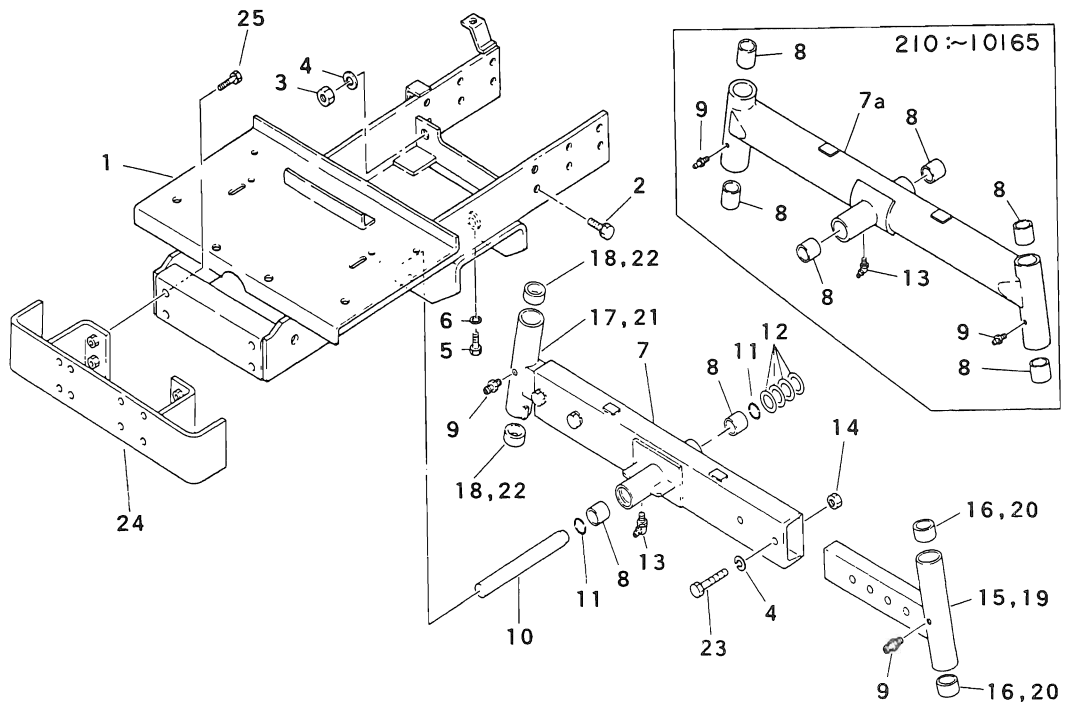
Key No	Parts No	Parts Name	Q'ty				P	Application	Description	Remarks
			21PS	25PS						
1	1021 2128 0C1	ARM L.H	1	1				250D 50182 ~		
	1021 2128 0C0	ARM L.H	•	1			D			
	1021 2151 0C0	ARM L.H	1	1						For P/S
2	1021 2129 0C1	ARM R.H	1	1						
	○	ARM R.H	1	1			A			1021 2129 0C0
3	05605-02525	BUSHING	2	2						
4	0830 0100 240	O-RING	2	2						
5	1438 1319 600	LINER J,thrust	AR	AR					t= 0.8	
	1438 1319 300	LINER F,thrust	AR	AR					t= 1.4	
	1438 1319 400	LINER G,thrust	AR	AR					t= 1.2	
	1438 1319 500	LINER H,thrust	AR	AR					t= 1.0	
6	F5010-35000	PLUG,expansion	2	2						
7	F155 0112 025	BOLT,w/washer	4	4						M12X25
8	69542-63301	BOLT	4	4						
9	A360 0101 202	WASHER	4	4						M12
10~16	1983 3621 0C3	DRAG LINK ASSY	1	1				250D 50182 ~		For STD
10~15	1984 2112 0C0	DRAG LINK ASSY	•	1			D			Inc the No 15a
10	*	LINK	1	1						
11	A313 0101 001	NUT,slotted	2	2						M10
12	0520 0125 018	PIN,split	2	2						φ2 5X18
13	1119 0693 000	COVER,dust	2	2						
14	1119 0694 000	RING,snap	2	2						
15	A650 0100 600	NIPPLE,grease	1	1				250D 50182 ~		
15a	A650 0100 600	NIPPLE,grease	•	2			D			Inc the No 15a
16	A651 3100 600	NIPPLE,grease	1	1				250D 50182 ~		Added
17	1021 2142 0C1	TIE ROD	1	•						
	1984 2114 0C0	TIE ROD	•	1						
18	A303 2112 002	NUT	1	1						M20
19	A303 0112 002	NUT	1	1						M20
20~25	1119 0686 0C0	ROD END R.H	1	1						
21~26	1119 0687 0C0	ROD END L.H	1	1						
20	*	ROD END	1	1						
21	1119 0694 000	RING,snap	2	2						
22	1119 0693 000	COVER,dust	2	2						
23	A313 0101 001	NUT,slotted	2	2						M10

FIG.506 TIE ROD & DRAG LINK (4WD)



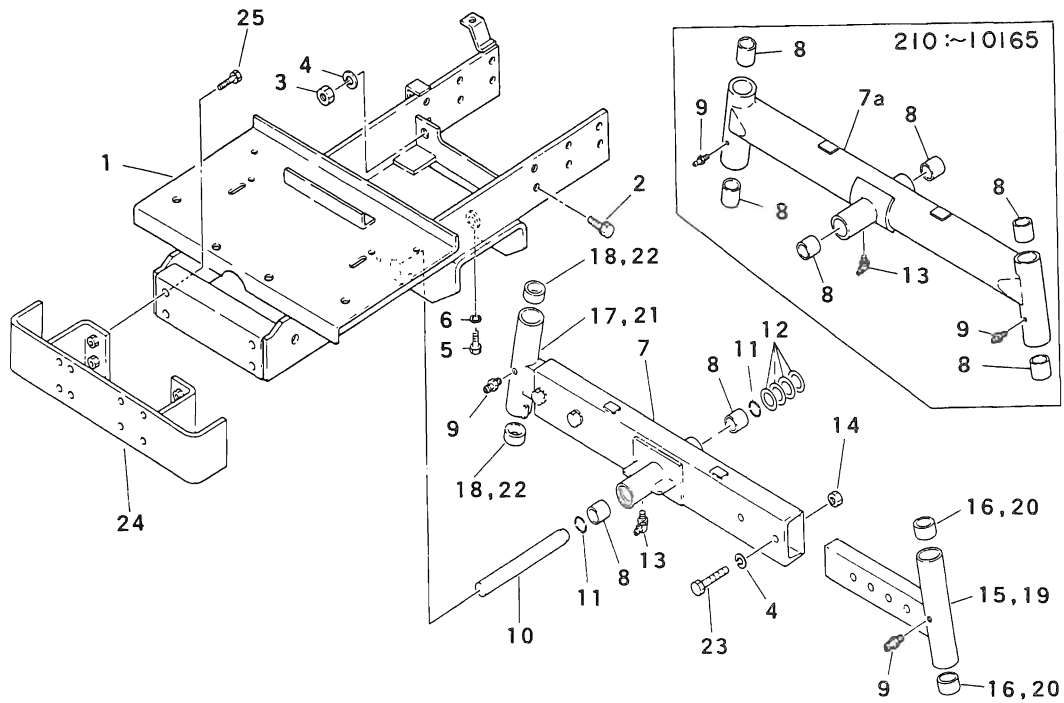
Key No	Parts No	Parts Name	Q'ty				P	Application	Description	Remarks
			21PS	25PS						
24	0520 0125 018	PIN,split	2	2				φ2.5X18		
25	A650 0100 600	NIPPLE,grease	2	2						
26	*	ROD END	1	1						
27-32	1984 2013 0C0	DRAG LINK ASSY	1	1					For P/S	
27	*	LINK	1	1						
28	A313 0101 201	NUT,slotted	2	2				M12		
29	0520 0130 025	PIN,split	2	2				φ3X25		
30	A650 0600 600	NIPPLE,grease	2	2						
31	1180 2054 170	RING,snap	2	2						
32	1180 2054 160	SEAL,dust	2	2						

FIG.507 FRONT AXLE BRACKET (210)



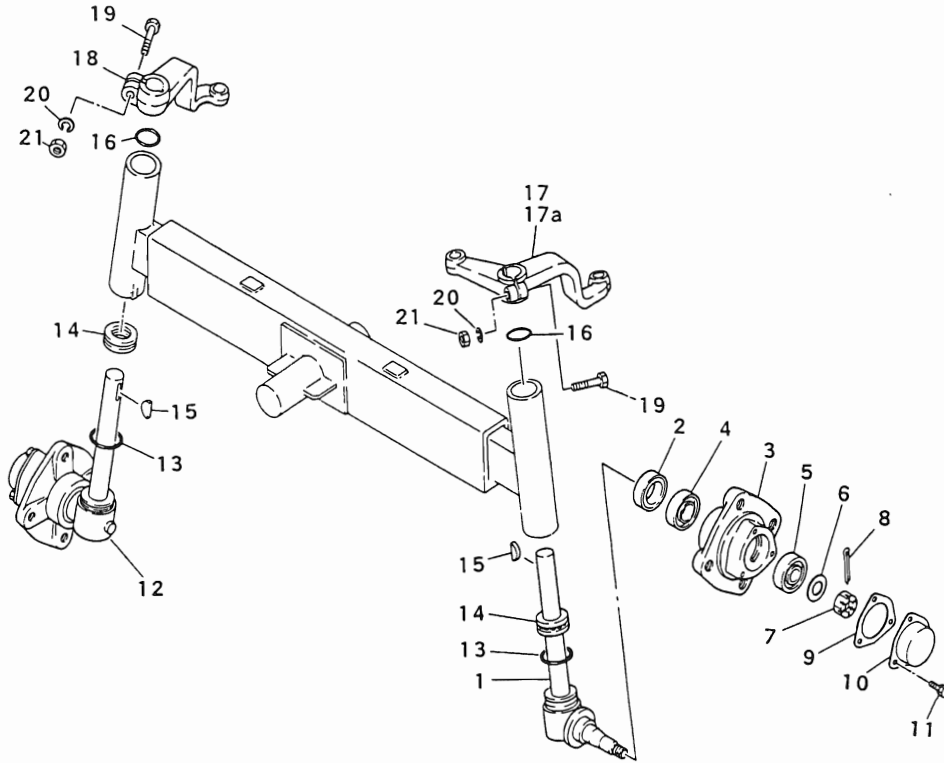
Key No	Parts No	Parts Name	Q'ty				P/P	Application	Description	Remarks
			STD	P/S						
1	1984 2053 OC1	BRACKET	1	1						
	○	BRACKET	1	1			A	10222~		1984 2053 OC0
	1984 2051 OC2	BRACKET	1	1			D	10091~		
	1984 2051 OC1	BRACKET	1	1			D			
2	F155 0112 030	BOLT,w/washer	12	12					M12X30	
3	A303 0114 002	NUT	2	2					M14	
4	A360 0101 402	WASHER,spring	6	6					M14	
5	67341-01101	BOLT,set	1	1						
6	A360 0101 002	WASHER,spring	1	1					M10	
7,8	1983 2021 OC1	AXLE CENTER	1	1				10166~		
7a,8	1021 2001 OC0	AXLE CENTER	1	1			D			
7	*	CENTER	1	1				10166~		
7a	*	CENTER	1	1			D			
8	67541-00800	BUSHING	2	2				10166~		
	67541-00800	BUSHING	6	6			D			
9	A650 3100 300	NIPPLE,grease	2	2					PT= 1/8	
10	67441-00302	PIN,axle pivot	1	1						
11	0830 0100 250	O-RING	2	2					φ25	
12	67441-01100	SPACER	C	C					t= 5 0	
	67441-01200	SPACER	C	C					t= 5 2	
	67441-01300	SPACER	C	C					t= 5 4	
	67441-01400	SPACER	C	C					t= 5 7	
13	A651 3100 300	NIPPLE,grease	1	1						
14	A304 0114 002	NUT	4	4				10166~	M14	Added
15,16	1983 2035 OC1	AXLE ASSY	•	1				10166~		Added
15	1983 2037 OC1	OUTER L.H	•	1				10166~		Added
16	67541-00800	BUSHING	•	2				10166~		Added
17,18	1983 2036 OC1	AXLE OUTER ASSY	•	1				10166~		Added
17	1983 2038 OC1	OUTER R.H	•	1				10166~		Added
18	67541-00800	BUSHING	•	2				10166~		Added
19,20	1983 2031 OC1	AXLE OUTER ASSY	1	•				10166~		Added
19	1983 2023 OC1	OUTER L.H	1	•				10166~		Added
20	67541-00800	BUSHING	2	•				10166~		Added
21,22	1983 2032 OC1	AXLE OUTER ASSY	1	•				10166~		Added
21	1983 2024 OC1	OUTER R.H	1	•				10166~		Added

FIG.507 FRONT AXLE BRACKET (210)



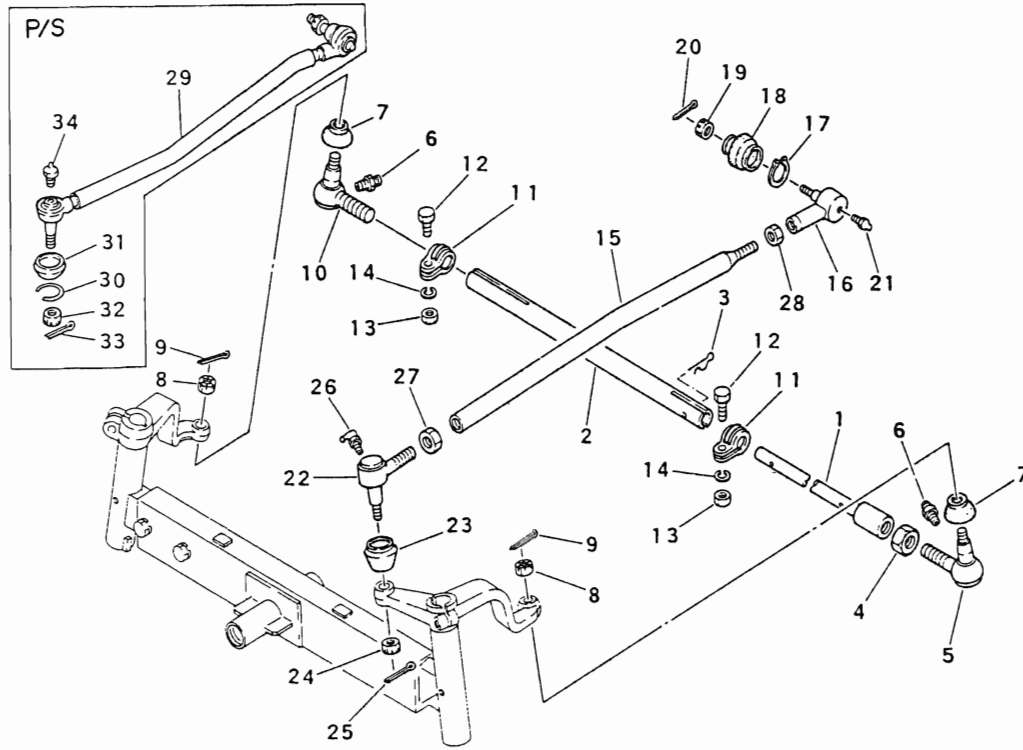
Key No	Parts No	Parts Name	Q'ty				P/P	Application	Description	Remarks
			STD	P/S						
22	67541-00800	BUSING	2	•				10166~		Added
23	F1025-14065	BOLT	4	4					M14X65	Added
	○	BOLT	4	4						A045 0114 065 Added
24	1984 2054 0C1	BUMPER	1	1				10222~		Added
25	F155 0112 035	BOLT	4	4					M12X35	

FIG.508 KNUCKLE ARM (210:10166~)



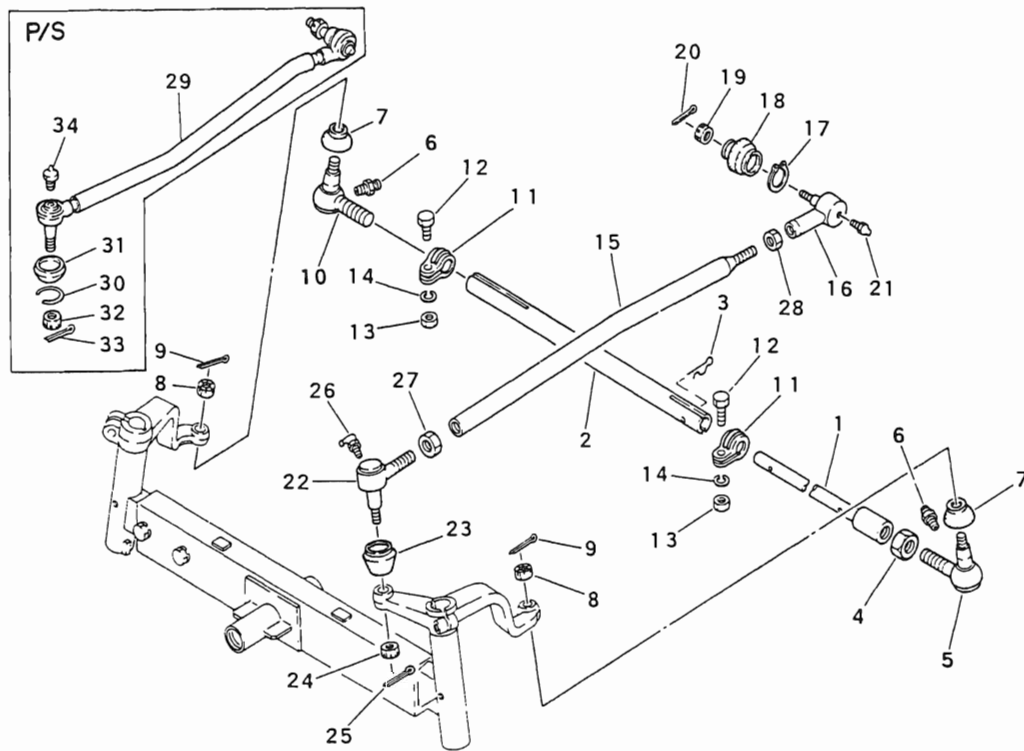
Key No	Parts No	Parts Name	Q'ty				P/P	Application	Description	Remarks
			STD	P/S						
1~11	1983 2025 0C1	KNUCKLE ASSY	1	1						
2~12	1983 2026 0C1	KNUCKLE ASSY	1	1						
1	1983 2027 0C1	KNUCKLE L.H	1	1						
2	67441-05000	SEAL,oil	1	1						
3	69541-068C0	HUB,front wheel	2	2						
4	0750 0062 050	BEARING	2	2				6205		
5	0750 0063 040	BEARING	2	2				6304		
6	0350 0151 632	WASHER	2	2				M16		
7	A313 0101 601	NUT,slotted	2	2				M16		
8	0520 0140 040	PIN,split	2	2				φ4X40		
9	69541-06400	GASKET	2	2						
10	69541-063C0	CAP	2	2						
11	F144 0106 012	BOLT,w/washer	6	6				M6X12		
12	1983 2028 0C1	KNUCKLE R.H	1	1						
13	0830 0100 380	O-RING	2	2				φ38		
14	05642-00400	BEARING	2	2						
15	F2870-07028	KEY,woodruff	2	2						
16	0830 0100 250	O-RING	2	2				φ25		
17	67441-006C0	ARM L.H,knuckle	1	•			A		67441-006C5	
	○	ARM L.H,knuckle	1	•						
17a	1983 2041 0C0	ARM L.H,knuckle	•	1						
18	67441-007C0	ARM R.H,knuckle	1	1			A		67441-007C5	
	○	ARM R.H,knuckle	1	1						
19	A954 0110 060	BOLT	2	2				M10X60		
20	A360 0101 002	WASHER,spring	2	2				M10		
21	A080 0110 001	NUT	2	2				M10		

FIG.509 TIE ROD & DRAG LINK (210:10166~)



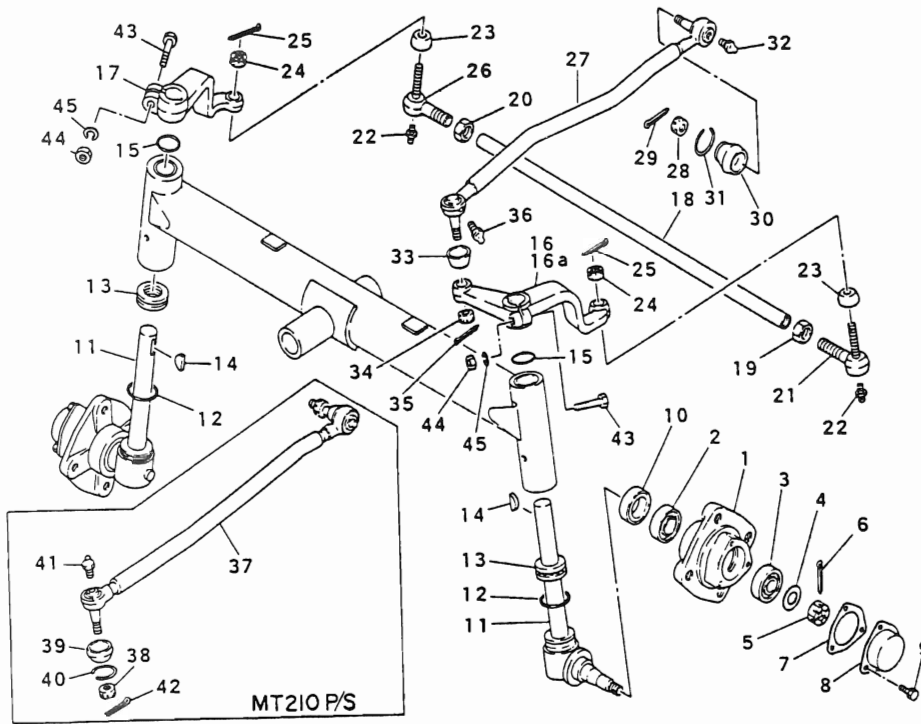
Key No	Parts No	Parts Name	Q'ty				P/P	Application	Description	Remarks
			STD	P/S						
1~14	1983 2033 0C0	TIE ROD ASSY	1	1						
1	1174 2036 0C0	INNER,tie rod	1	1						
2	1174 2037 0C1	OUTER,tie rod	1	1						
3	67200-31100	PIN	1	1						
4	67354-00301	NUT	1	1						
5-9	67441-01000	SOCKET	1	1						
6~10	67441-00900	SOCKET	1	1						
5	*	BODY	1	1						
6	67441-00917	NIPPLE,grease	2	2						
7	67441-00916	COVER,dust	2	2						
8	67441-00918	NUT	2	2						
9	67441-00919	PIN,split	2	2						
10	*	BODY	1	1						
11	68600-83700	CLAMP,tie rod	2	2						
12	A054 0108 030	BOLT	2	2				M8X30		
13	A301 0108 002	NUT	2	2				M8		
14	A360 0100 802	WASHER,spring	2	2				M8		
15-28	1984 2001 0C0	DRAG LINK ASSY	1	•						
15	1983 3642 0C1	DRAG LINK	1	•						
16~21	1119 0686 000	ROD END ASSY	1	•						
16	*	BODY	1	•						
17	1119 0694 000	RING,snap	1	•						
18	1119 0693 000	COVER,dust	1	•						
19	A313 0101 001	NUT,slotted	1	•				M10		
20	0520 0125 018	PIN,split	1	•				φ2.5X18		
21	A650 0100 600	NIPPLE,grease	1	•						
22~26	1176 2215 001	SOCKET	1	•						
22	*	BODY	1	•						
23	67441-00916	COVER,dust	1	•						
24	67441-00918	NUT	1	•						
25	67441-00919	PIN,split	1	•						
26	A651 0600 600	NIPPLE,grease	1	•						
27	67354-00301	NUT	1	•						
28	A303 0112 002	NUT	1	•				M20		
29-34	1984 2012 0C0	DRAG LINK ASSY	•	1						

FIG.509 TIE ROD & DRAG LINK (210:10166~)



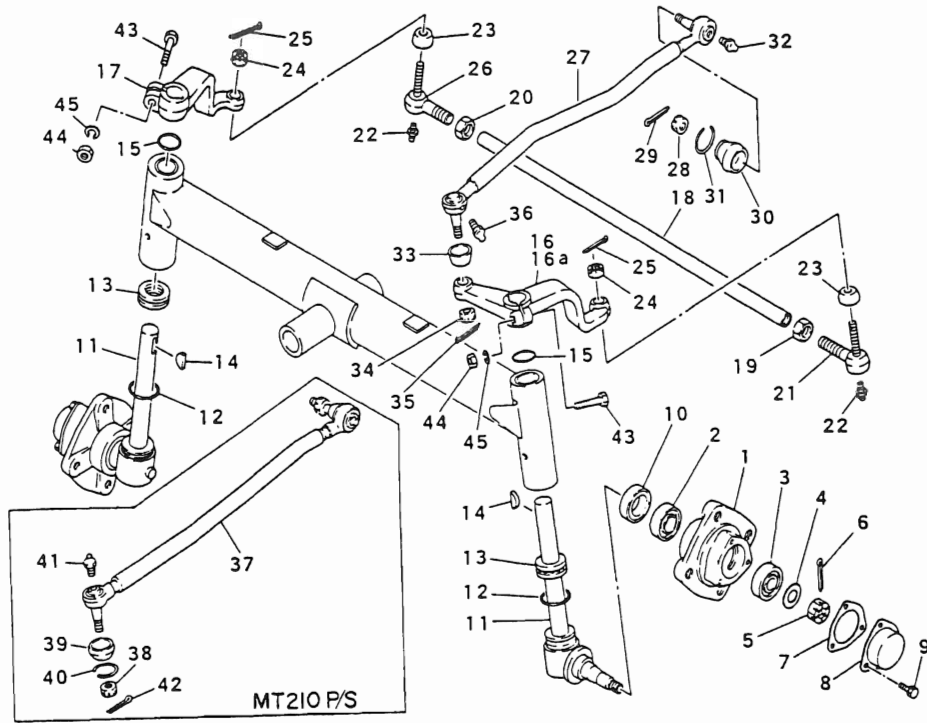
Key No	Parts No	Parts Name	Q'ty				R/P	Application	Description	Remarks
			STD	P/S						
29	*	BODY		• 2						
30	1180 2054 170	RING,snap		• 2						
31	1180 2054 160	COVER,dust		• 2						
32	A313 0101 201	NUT,slotted		• 2				M12		
33	0520 0130 025	PIN,split		• 2				φ3X25		
34	A650 0600 600	NIPPLE,grease		• 2						

FIG.510 TIE ROD & DRAG LINK (210:~10165)



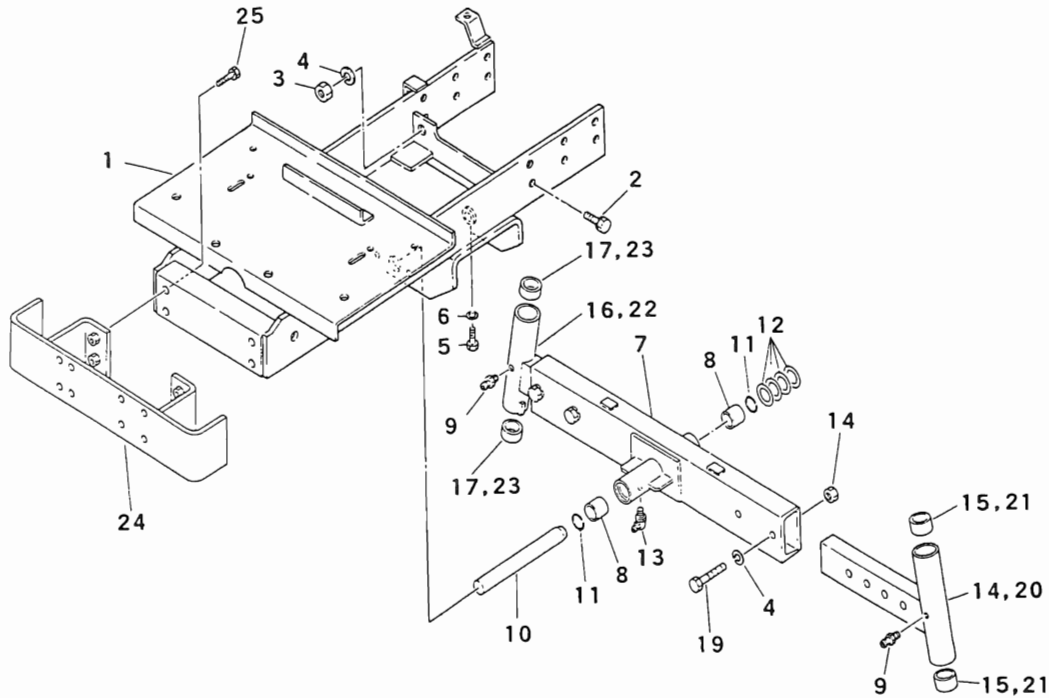
Key No	Parts No	Parts Name	Q'ty					Application	Description	Remarks
			STD	P/S						
1~11	1021 2004 OC0	KNUCKLE ASSY	2	2						
1	69541-068C0	HUB,front wheel	2	2						
2	0750 0062 050	BEARING	2	2				62050		
3	0750 0063 040	BEARING	2	2				63040		
4	0350 0151 632	WASHER	2	2				M16		
5	A313 0101 601	NUT,slotted	2	2				M16		
6	0520 0140 040	PIN,split	2	2				φ4X40		
7	69541-06400	GASKET	2	2						
8	69541-063C0	CAP	2	2						
9	F144 0106 012	BOLT,w/washer	6	6				M6X12		
10	67441-0500	SEAL,oil	2	2						
11	1021 2027 OC1	KNUCKLE	2	2						
12	0830 0100 380	O-RING	2	2				φ38		
13	05642-00400	BEARING	2	2						
14	F2870 07028	KEY,woodruff	2	2						
15	0830 0100 250	O-RING	2	2				φ25		
16	67441-006C5	ARM L.H,knuckle	1	•						
16a	1983 2041 OC0	ARM L.H,knuckle	•	1						
17	67441-007C5	ARM R.H,knuckle	1	1						
18-26	1021 2002 OC0	TIE ROD ASSY	1	1						
18	1021 2022 OC0	TUBE,tie rod	1	1						
19	67354-00301	NUT	1	1					Left thread	
20	67354-00201	NUT	1	1						
21-25	67441-01000	SOCKET	1	1						
22-26	67441-00900	SOCKET	1	1						
21	*	BODY	1	1						
22	67441-00917	NIPPLE,grease	2	2						
27-36	1983 3611 OC2	DRAG LINK ASSY.	1	•						
23	67441-00916	COVER,dust	2	2						
24	67441-00918	NUT	2	2						
25	67441-00919	PIN,split	2	2						
26	*	BODY	1	1						
27	*	ROD	1	•						
28	A313 0101 001	NUT,slotted	1	•				M10		
29	0520 0125 018	PIN,split	1	•				φ2,5X18		

FIG.510 TIE ROD & DRAG LINK (210:~10165)



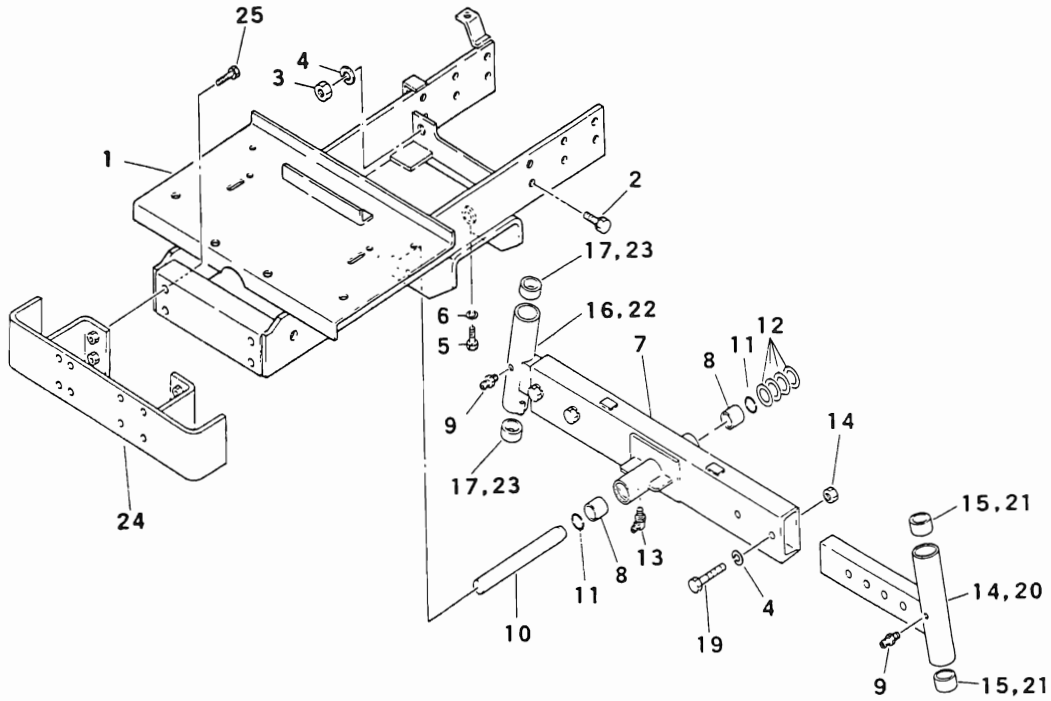
Key No	Parts No	Parts Name	Q'ty				P	Application	Description	Remarks
			STD	P/S						
30	1190 0693 000	COVER,dust	1	•						
31	1190 0694 000	RING,snap	1	•						
32	A650 0100 600	NIPPLE,grease	1	•						
33	67441-00916	COVER,dust	1	•						
34	67441-00918	NUT,slotted	1	•						
35	67441-00919	PIN,split	1	•						
36	67441-00917	NIPPLE,grease	1	•						
37-42	1984 2013 0C0	DRAG LINK ASSY.	•	1						
37	*	ROD	•	1						
38	A313 0101 201	NUT,slotted	•	2				M12		
39	1180 2054 160	COVER,dust	•	2						
40	1180 2054 170	RING,snap	•	2						
41	A650 0600 600	NIPPLE,grease	•	2						
42	0520 0130 025	PIN,split	•	2						
43	A954 0110 060	BOLT	2	2				φ3X25		
44	A080 0110 001	NUT	2	2				M10		
45	A360 0101 002	WASHER,spring	2	2				M10		

FIG.511 FRONT AXLE BRACKET (250)



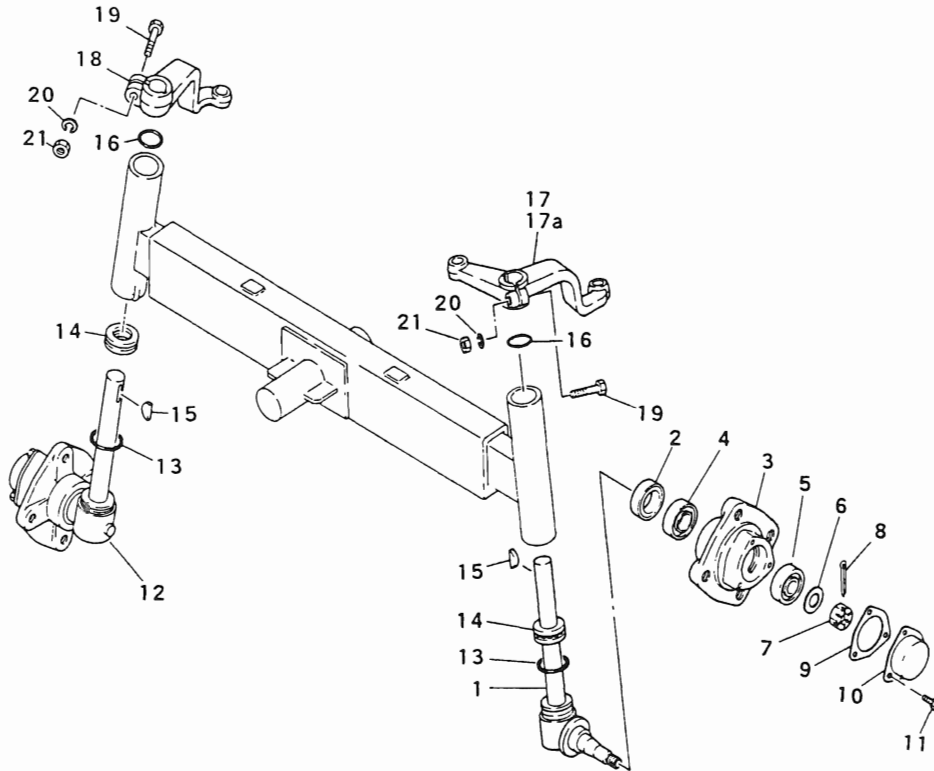
Key No	Parts No	Parts Name	Q'ty				P	Application	Description	Remarks
			STD	P/S						
1	1984 2052 OC1	BRACKET,front	1	1						
	○	BRACKET,front	1	1			A	10822~	1984 2052 OCO	
	1984 2011 OC2	BRACKET	1	1			D	10091~		
	1984 2011 OC0	BRACKET	1	1			D			
2	F155 0112 030	BOLT,w/washer	10	12					M12X30	
3	A303 0114 002	NUT	2	2					M14	
4	A360 0101 402	WASHER,spring	6	6					M14	
5	67341-01101	BOLT,set	1	1						
6	A360 0101 002	WASHER,spring	1	1					M10	
7,8	1983 2021 OC1	AXLE ASSY	1	1						
7	*	CENTER	1	1						
8	67541-00800	BUSHING	2	2						
9	A650 3100 300	NIPPLE,grease	2	2					PT=1/8	
10	67441-00302	PIN,axle pivot	1	1						
11	0830 0100 250	O-RING	2	2					φ25	
12	67441-01100	SPACER	C	C					t=5.0	
	67441-01200	SPACER	C	C						
	67441-01300	SPACER	C	C						
	67441-01400	SPACER	C	C						
13	A651 3100 300	NIPPLE,grease	1	1						
14,15	1983 2031 OC1	AXLE OUTER ASSY	1	•				10146~		
	○	AXLE OUTER ASSY	1	•			B		1983 2031 OCO	
14	1983 2023 OC1	OUTER L.H	1	•				10146~		
	○	OUTER L.H	1	•			B		1983 2023 OCO	
15	67541-00800	BUSHING	1	•						
16,17	1983 2032 OC1	AXLE OUTER ASSY	1	•				10146~		
	○	AXLE OUTER ASSY	1	•			B		1983 2032 OCO	
16	1983 2024 OC1	OUTER R.H	1	•				10146~		
	1983 2024 OC0	OUTER R.H	1	•						
17	67541-00800	BUSHING	2	•						
18	F1025-14065	BOLT	4	4					M14X65	
	○	BOLT	4	4			A		M14X65	
19	A304 0114 002	NUT	4	4					M14	
20,21	1983 2035 OC1	AXLE OUTER ASSY	•	1						
20	1983 2037 OC1	OUTER L.H	•	1						

FIG.511 FRONT AXLE BRACKET (250)



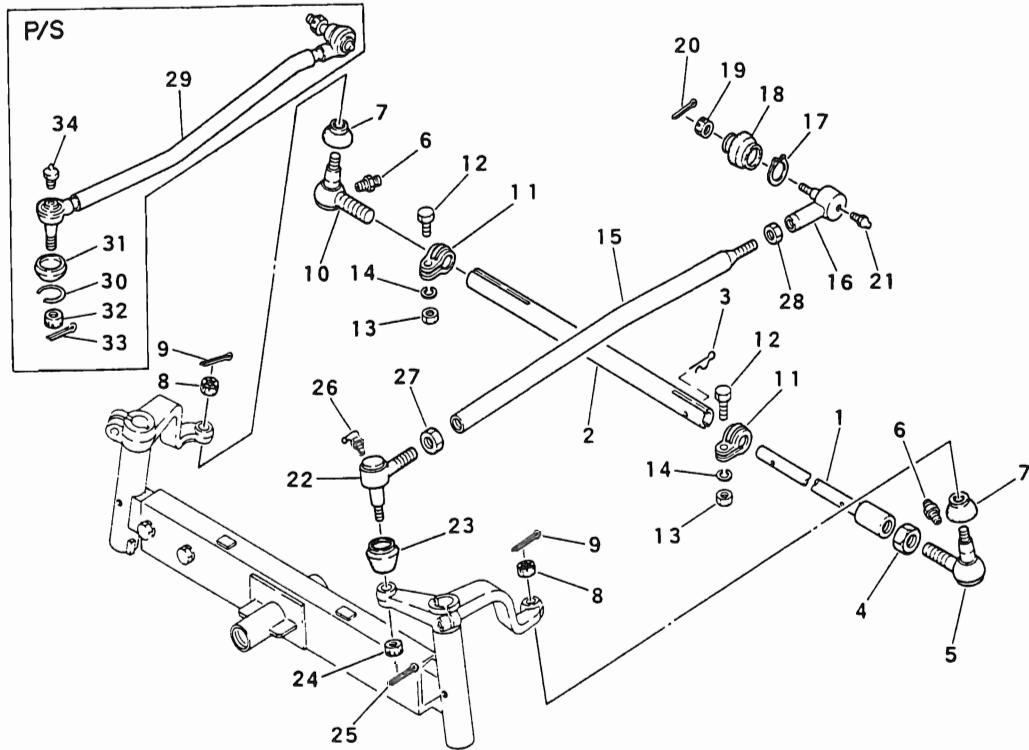
Key No	Parts No	Parts Name	Q'ty				F/P	Application	Description	Remarks
			STD	P/S						
21	67541-00800	BUSHING		• 2						
22, 23	1983 2036 OC1	AXLE OUTER ASSY		• 1						
22	1983 2038 OC1	OUTER R.H		• 1						
23	67541-00800	BUSHING		• 2						
24	1984 2015 OCO	BUMPER		1 1			10822~		Added	
25	F155 0112 035	BOLT		4 4			10822~	M12X35	Added	

FIG.512 KNUCKLE ARM (250)



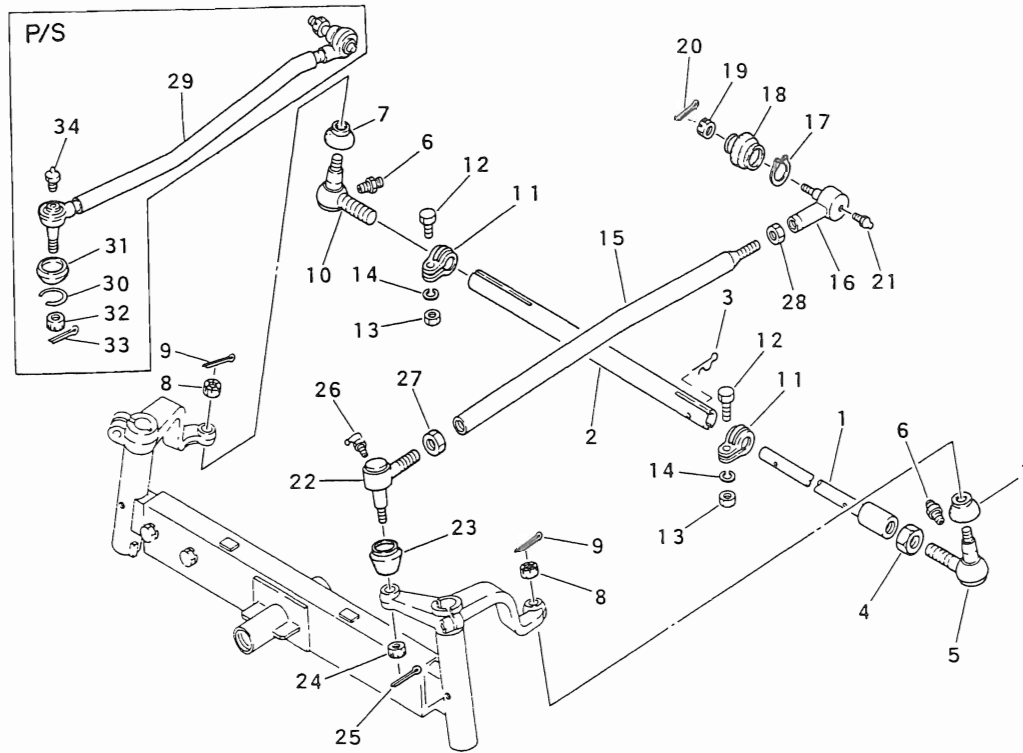
Key No	Parts No	Parts Name	Q' t y				F/P	Application	Description	Remarks
			STD	P/S						
1~11	1983 2025 0C1	KNUCKLE ASSY	1	1						
2~12	1983 2026 0C1	KNUCKLE ASSY	1	1						
1	1983 2027 0C1	KNUCKLE	1	1						
2	67441-05000	SEAL,oil	2	2						
3	69541-068C0	HUB,front wheel	2	2						
4	0750 0062 050	BEARING	2	2				6205		
5	0750 0063 040	BEARING	2	2				6304		
6	0350 0151 632	WASHER	2	2				M16		
7	A313 0101 601	NUT,slotted	2	2				M16		
8	0520 0140 040	PIN,split	2	2				φ4X40		
9	69541-06400	GASKET	2	2						
10	69541-063C0	CAP	2	2						
11	F144 0106 012	BOLT,w/washer	6	6				M6X12		
12	1983 2028 0C1	KNUCKLE	1	1						
13	0830 0100 380	O-RING	2	2				φ38		
14	05642-00400	BEARING	2	2						
15	F2870-07028	KEY,woodruff	2	2						
16	0830 0100 250	O-RING	2	2				φ25		
17	67441-006C0	ARM,knuckle	1	•						
	○	ARM,knuckle	1	•			A		67441-006C5	
17a	1983 2041 0C0	ARM,knuckle	•	1						
18	67441-007C0	ARM,knuckle	•	1						
	○	ARM R.H,knuckle	1	1			A		67441-007C5	
19	A954 0110 060	BOLT	2	2				M10X60		
20	A360 0101 002	WASHER,spring	2	2				M10		
21	A080 0110 001	NUT	2	2				M10		
	○	NUT	2	2			A	M10	A080 0110 002	

FIG.513 TIE ROD & DRAG LINK (250)



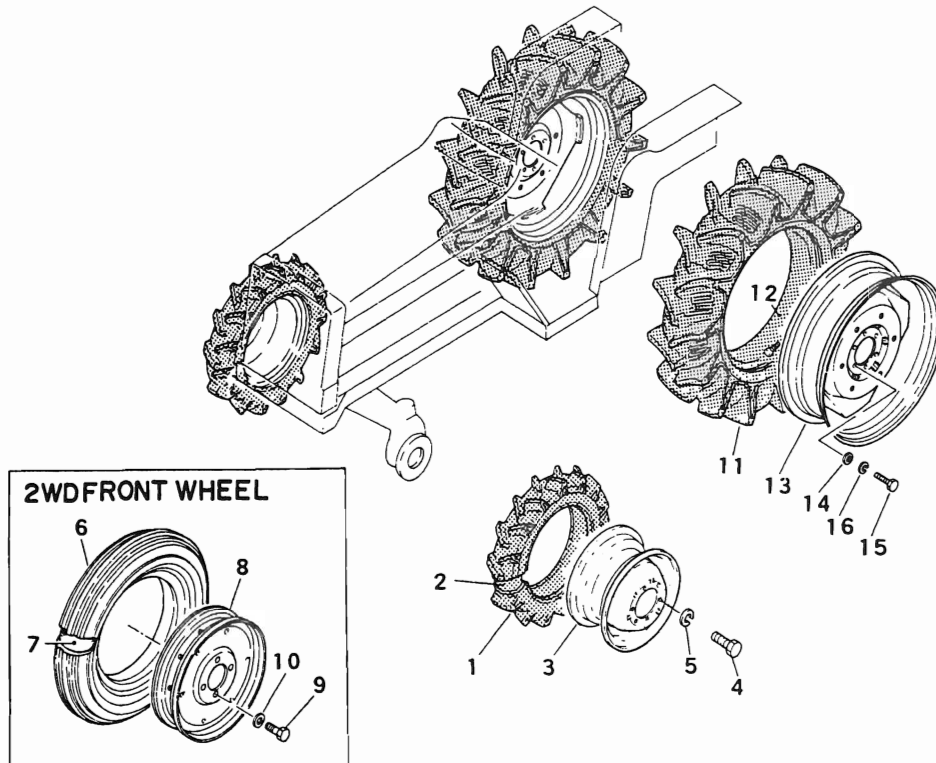
Key No	Parts No	Parts Name	Q'ty				P	Application	Description	Remarks
			STD	P/S						
1~14	1983 2033 0C0	TIE ROD ASSY	1	1						
1	1174 2036 0C0	INNER,tie rod	1	1						
2	1174 2037 0C1	OUTER,tie rod	1	1						
3	67200-31100	PIN	1	1						
4	67354-00301	NUT	1	1						
5~9	67441-01000	SOCKET	1	1						
6~10	67441-00900	SOCKET	1	1						
5	*	BIDY	1	1						
6	67441-00917	NIPPLE,grease	2	2						
7	67441-00916	COVER,dust	2	2						
8	67441-00918	NUT	2	2						
9	67441-00919	PIN,split	2	2						
10	*	BODY	1	1						
11	68600-83700	CLAMP,tie rod	2	2						
12	A054 0108 030	BOLT	2	2				M8X30		
13	A301 0108 002	NUT	2	2				M8		
14	A360 0100 802	WASHER,spring	2	2				M8		
15~28	1984 2001 0C0	DRAG LINK ASSY	1	•				10146~		
	○	DRAG LINK ASSY	1	•			B		1983 3641 0C0	
15	1983 3642 0C1	DRAG LINK	1	•				10146~		
	○	DRAG LINK	1	•			B		1983 3642 0C0	
16~21	1119 0686 000	ROD END ASSY	1	•						
16	*	BODY	1	•						
17	1119 0694 000	RING,snap	1	•						
18	1119 0693 000	COVER,dust	1	•						
19	A313 0101 001	NUT,slotted	1	•					M10	
20	0520 0125 018	PIN,split	1	•					φ2,5X18	
21	A650 0100 600	NIPPLE,grease	1	•						
22~26	1176 2215 001	SOCKET	1	•						
22	*	BODY	1	•						
23	67441-00916	COVER,dust	1	•						
24	67441-00918	NUT	1	•						
25	67441-00919	PIN,split	1	•						
26	A651 0600 600	NIPPLE,grease	1	•						
27	67354-00301	NUT	1	•						

FIG.513 TIE ROD & DRAG LINK (250)



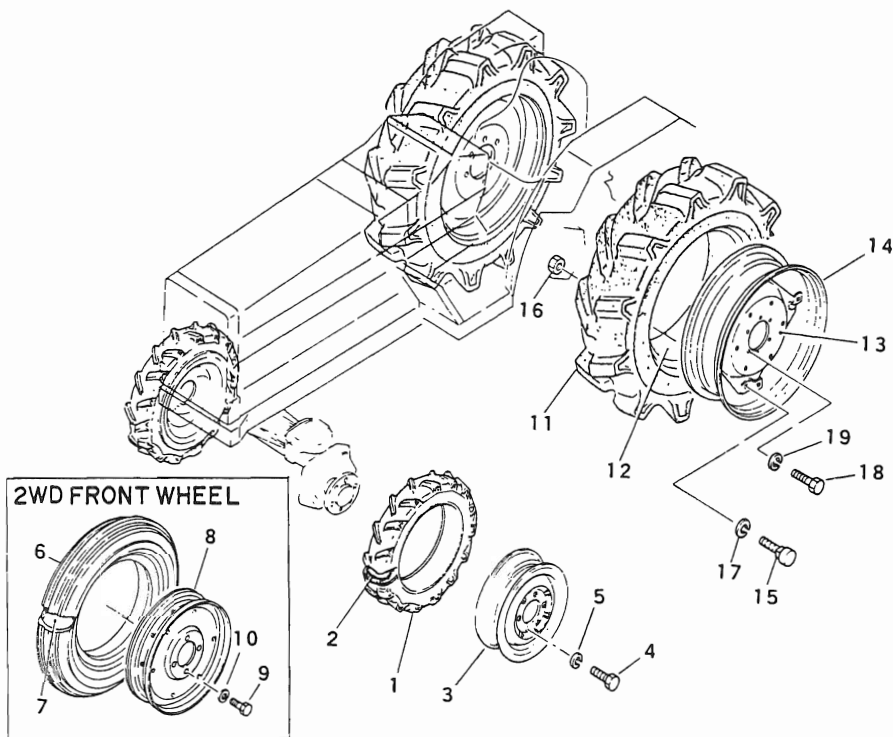
Key No	Parts No	Parts Name	Q'ty					P/P	Application	Description	Remarks
			STD	P/S							
28	A303 0112 002	NUT	1	•							
29-34	1984 2012 0C0	DRAG LINK ASSY	•	1							
29	*	BODY	•	2							
30	1180 2054 170	RING,snap	•	2							
31	1180 2054 160	COVER,dust	•	2							
32	A313 0101 201	NUT,slotted	•	2					M12		
33	0520 0130 025	PIN,split	•	2					ø3X25		
34	A650 0600 600	NIPPLE,grease	•	2							

FIG.5 14 FRONT & REAR WHEEL (210D/210 AG TIRE)



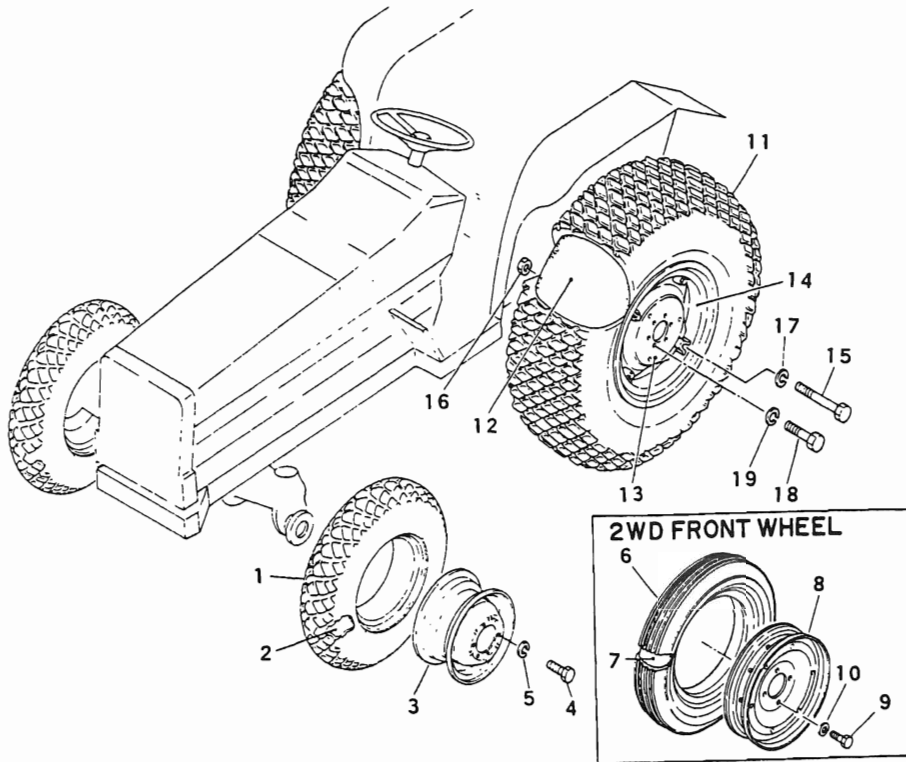
Key No	Parts No	Parts Name	Q'ty				P	Application	Description	Remarks
			4WD	2WD						
1,2	*	FRONT WHEEL	2	•						
		FRONT TIRE								
1	1983 3213 110	TIRE	2	•				4-15 AG		
2	1983 3213 120	TUBE	2	•						
3	1983 3216 0G0	DISK, wheel	2	•						
4	F1025-14025	BOLT	12	•				M14X25		
	○	BOLT	12	•			A	M14X25	A042 0114 025	
5	A360 0101 402	WASHER, spring	12	•				M14		
6,7	*	FRONT TIRE		2						
6	1983 3213 110	TIRE		2				4-15 AG		
7	1983 3213 120	TUBE		2						
8	69546-060G0	DISK, wheel		2						
9	F1025-14025	BOLT		8				M14X25		
	○	BOLT		8			A	M14X25	A042 0114 025	
10	A360 0101 402	WASHER, spring		8				M14		
11,12	*	REAR WHEEL								
		REAR TIRE								
11	1983 3315 110	TIRE	2	2				9.5/9-24		
12	1983 3315 120	TUBE	2	2				FSLW (BS)		
13	1174 3311 0G0	DISK, wheel	2	2						
14	1174 3313 000	WASHER	12	12						
15	F1025-1403	BOLT	12	12				M14X30		
	○	BOLT	12	12			A	M14X30	A042 0114 030	
16	A360 0101 402	WASHER, spring	12	12				M14		

FIG.515 FRONT & REAR WHEEL (250D/250 AG TIRE)



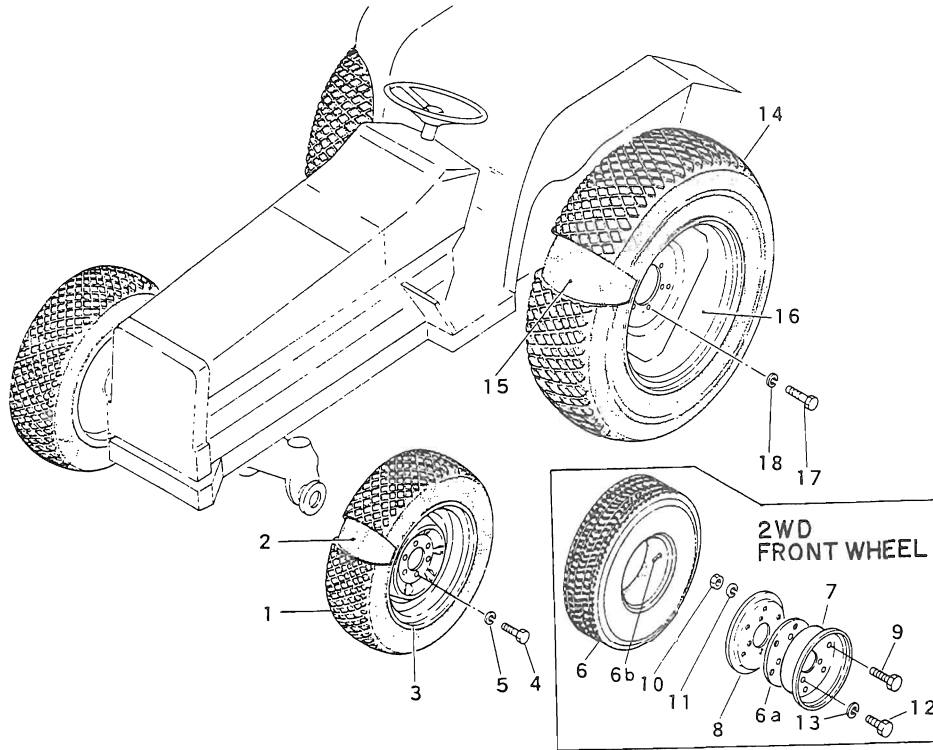
Key No	Parts No	Parts Name	Q'ty				Application	Description	Remarks
			4WD	2WD					
1,2	*	FRONT WHEEL							
		FRONT TIRE							
1	1983 3219 110	TIRE	2	•					
2	1983 3219 120	TUBE	2	•			7-144PRAG		
3	1983 3216 OGO	DISK,wheel	2	•					
4	F1025-14025	BCLT	12	•			M14X25		
	○	BCLT	12	•		A	M14X25	A042 0114 025	
5	A360 0101 402	WASHER,spring	12	•			M14		
6,7	*	FRONT TIRE							
6	1915 3005 001	TIRE	•	2					
7	1915 3005 002	TUBE	•	2			5-144PRAG		
8	69546-060G0	DISK,wheel	•	2					
9	F1025-14025	BOLT	•	8			M14X25		
	○	BOLT	•	8		A	M14X25	A042 0114 025	
10	A360 0101 402	WASHER,spring	•	8			M14		
11,12	*	REAR WHEEL							
		TIRE ASSY							
11	1915 3001 011	TIRE	2	2					
12	1915 3001 002	TUBE	2	2			11.2-24AG		
13,14	1174 3312 OGO	DISK WHEEL	2	2					
13	1174 3312 120	RIM	2	2					
14	1174 3312 110	DISK	2	2					
15	1180 3063 000	BOLT	8	8					
16	A303 0116 002	NUT	8	8			M16		
17	A360 0101 602	WASHER,spring	8	8			M16		
18	A052 0114 030	BOLT	12	12			M14X30		
19	A360 0101 402	WASHER,spring	12	12			M14		

FIG.516 FRONT & REAR WHEEL (ES TIRE)



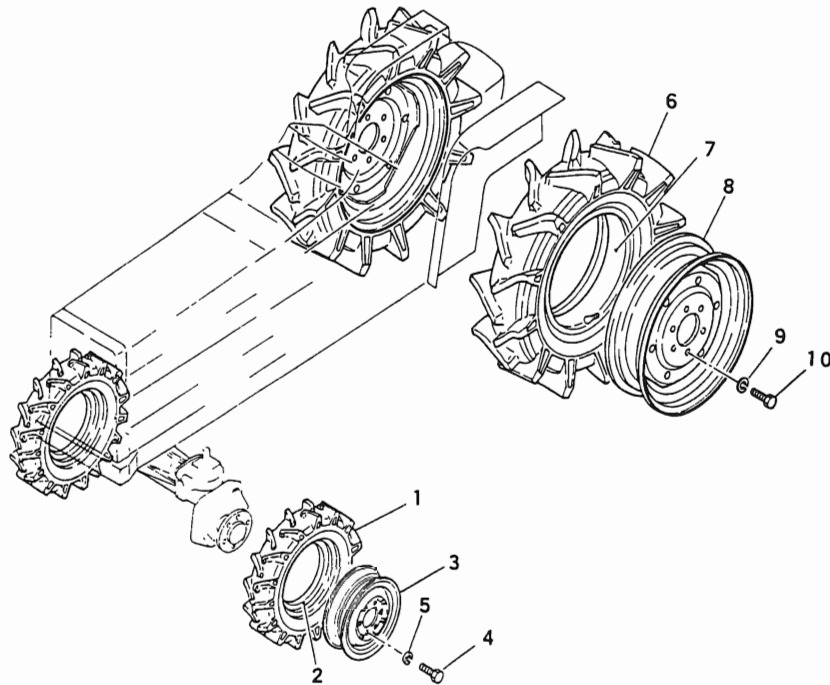
Key No	Parts No	Parts Name	Q'ty				P	Application	Description	Remarks
			4WD	2WD						
1,2	*	FRONT WHEEL								
		FRONT TIRE								
1	1984 3211 110	TIRE	2	•						
2	1174 3214 120	TUBE	2	•				7-14 FD		
3	1983 3216 0G0	DISK,wheel	2	•						
4	F1025-14025	BOLT	12	•				M14X25		
	○	BOLT	12	•			A	M14X25	A042 0114 025	
5	A360 0101 402	WASHER,spring	12	•				M14		
6,7	*	FRONT TIRE		2						
6	1915 3016 001	TIRE		2						
7	1915 3016 002	TUBE		2				2.9-15 BS		
8	69446-80300	DISK,wheel		2						
9	F1025-14025	BOLT		8				M14X25		
	○	BOLT		8			A	M14X25	A042 0114 025	
10	A360 0101 402	WASHER,spring		8				M14		
		REAR WHEEL								
11,12	*	REAR TIRE ASSY								
11	1915 3010 001	TIRE,rear	2	2				11.2/10		
			2	2				-24 FD		
12	1915 3010 002	TUBE	2	2						
13,14	1174 3312 0G0	DISK WHEEL	2	2						
13	1174 3312 120	RIM	2	2						
14	1174 3312 110	DISK	2	2				M16		
15	1180 3063 000	BOLT	8	8						
16	A303 0116 001	NUT	8	8				M16		
17	A360 0101 602	WASHER,spring	8	8				M16		
	F1025-14025	BOLT	12	12				M14X25		
18	○	BOLT	12	12			A	M14X25	A042 0114 025	
19	A360 0101 402	WASHER,spring	12	12				M14		

FIG.517 FRONT & REAR WHEEL (WT TIRE)



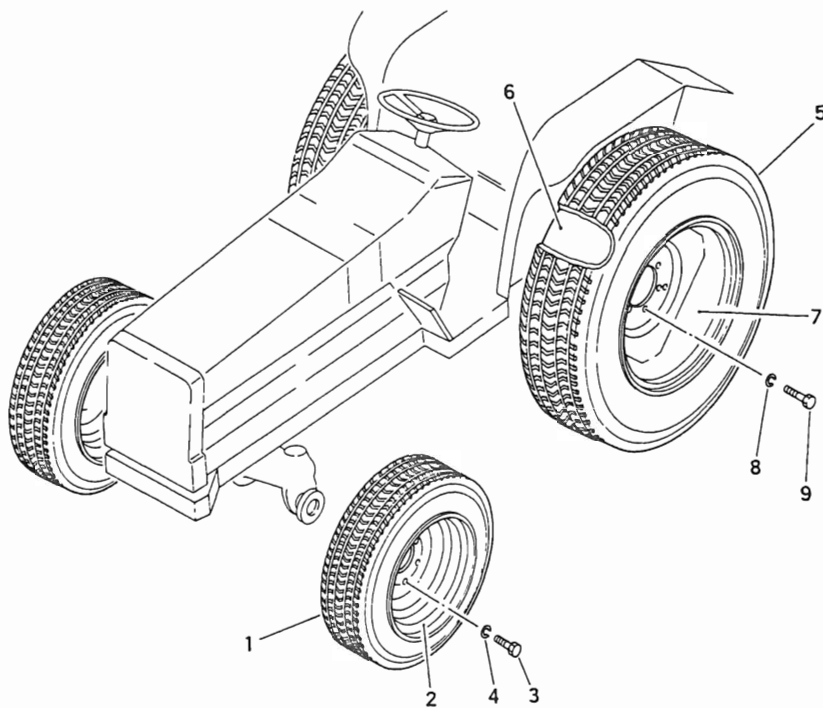
Key No	Parts No	Parts Name	Q'ty				P/P	Application	Description	Remarks
			4WD	2WD						
		FRONT WHEEL								
1,2	69446-80500	FRONT TIRE	2	•						
1	69446-80511	TIRE	2	•				6-14 FD		
2	0891 0006 140	TUBE	2	•						
3	1983 3216 OG0	DISK,wheel	2	•						
4	F1025-14025	BOLT	12	•				M14X25		
	○	BOLT	12	•			A	M14X25	A042 0114 025	
5	A360 0101 402	WASHER,spring	12	•				M14		
6-6b	1982 4042 000	TIRE ASSY.	•	2						
6	1982 4042 110	TIRE	•	2				2X8-10 PD	Tubes	
6a	1982 4042 120	PACKING	•	2						
6b	1982 4042 130	VALVE	•	2						
7,8	1982 4043 OG0	WHEEL	•	2						
7	1982 4043 110	RIM A	•	2						
8	1982 4043 120	RIM B	•	2						
9	A052 0110 020	BOLT	•	12				M10X20		
10	A303 0110 002	NUT	•	12				M10		
11	A360 0101 002	WASHER,spring	•	12				M10		
12	F1025-14030	BOLT	•	8				M14X30		
	○	BOLT	•	8			A	M14X25	A042 0114 025	
13	A360 0101 402	WASHER,spring	•	8				M14		
		REAR WHEEL								
14,15	*	REAR TIRE	2	2						
14	1915 4802 000	TIRE	2	2				13 6-16FD		
15	1915 4803 000	TUBE	2	2						
16	67436-901G0	WHEEL,disk	2	2						
17	F1025-14030	BOLT	12	12				M14X30		
	○	BOLT	12	12			A	M14X30	A042 0114 030	
18	A360 0101 402	WASHER,spring	12	12				M14		

FIG.518 FRONT & REAR WHEEL (210D/250D AG TIRE)



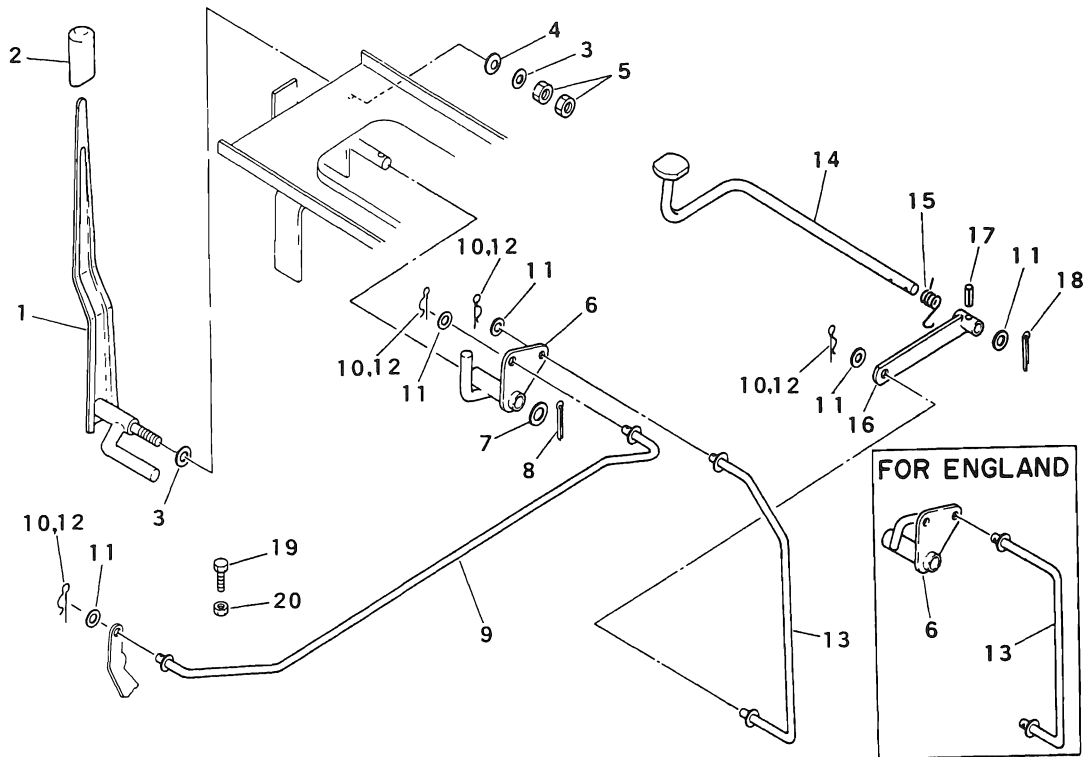
Key No	Parts No	Parts Name	Q' t y				P/P	Application	Description	Remarks
			4WD	2WD						
		FRONT WHEEL								
1,2	*	FRONT TIRE	2	2						
1	1984 3214 110	TIRE,front	2	2				5-14 AG		
2	1983 3212 120	TUBE	2	2						
3	1983 3214 000	DISK, wheel	2	2				4JAX14WDC		
4	A042 0114 025	BOLT	12	12				M14X25		
5	A360 0101 402	WASHER, spring	10	12				M14		
		REAR WHEEL								
		REAR TIRE	2	2						
6,7	*	REAR TIRE	2	2						
6	1984 3323 110	TIRE, rear	2	2				12.4-16AG		
7	1984 3323 120	TUBE	2	2						
8	1984 3324 0G0	DISK	2	2				M11X16		
9	A360 0101 402	WASHER, spring	12	12				M14		
10	A052 0114 030	BOLT	12	12				M14X30		

FIG.519 FRONT & REAR WHEEL (WTT TIRE)



Key No	Parts No	Parts Name	Q'ty				P	Application	Description	Remarks
			4WD	2WD						
FRONT WHEEL										
1	1984 3223 000	FRONT TIRE	2	•				24X850-12	Tubes	
2	1984 3224 0G0	DISK, wheel	2	•						
3	F1025-14025	BOLT	12	•				M14X25		
	○	BOLT	12	•			A	M14X25	A042 0114 025	
4	A360 0101 402	WASHER, spring	12	•				M14		
REAR WHEEL										
5,6	*	TIRE, peat	2	•						
5	1984 3333 110	TIRE	2	•						
6	1984 3333 120	TUBE	2	•						
7	67436-90100	DISK WHEEL	2	•						
	○	DISK, wheel	2	•			A		69436-80205	
8	A360 0101 402	WASHER, spring	12	•				M14		
9	A052 0114 030	BOLT	12	•				M14X30		

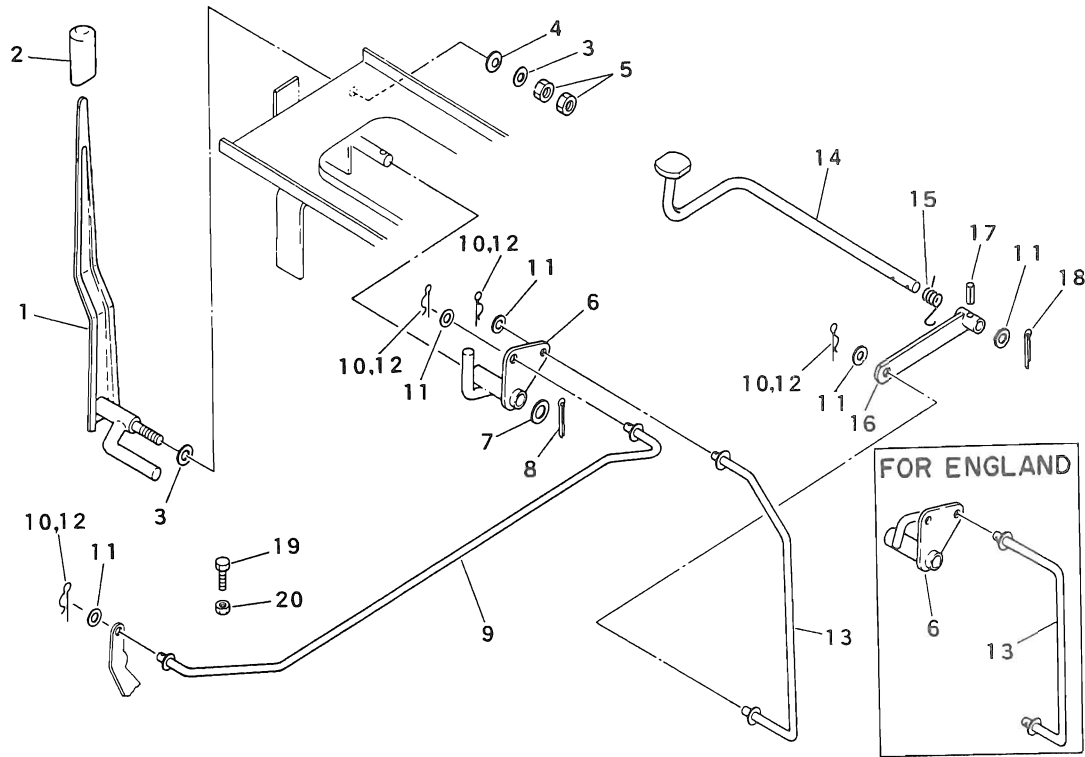
FIG.601 ENGINE CONTROL



6

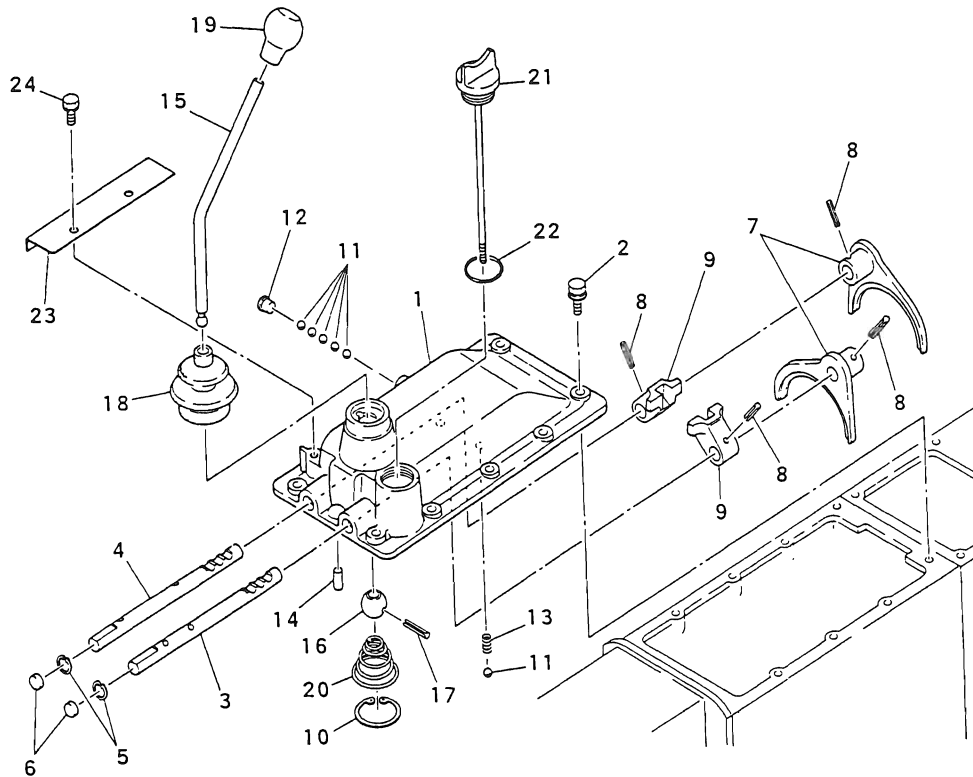
Key No	Parts No	Parts Name	Q'ty				F/P	Application	Description	Remarks
			21PS	25PS						
1	1984 0215 0T0	LEVER,control	1	1						
	1021 0211 0T1	LEVER,control	•	1					For England	
2	2772 4043 000	GRIP	1	1						
3	0350 0161 032	WASHER	2	2				M10		
4	3610 5725 100	SPRING	1	1					...	
5	A303 0110 002	NUT	2	2				M10		
6	1984 0216 000	ARM	1	1						
	1021 0214 000	ARM	•	1					For England	
7	1350 4214 000	WASHER	1	1						
8	0520 0125 020	PIN,split	1	1				φ2.5X20	...	
9	1984 0251 001	ROD,control	1	•				210D:50162~ 210 10111~		
	○	ROD,control	1	•			B		1984 0251 000	
	1984 0213 001	ROD,control	•	1				250D:50312~ 250 10146~		
	○	ROD,control	•	1			B		1984 0213 000	
	1984 0219 001	ROD,control	•	1					For England	
10	0521 0108 000	PIN,snap	4	4				210D.50277~ 210 10174~ 250D.50469~ 250 10298~	φ8 φ8 φ8 φ8	
	0521 0108 000	PIN,snap	2	2			D		φ8	
	0350 0130 815	WASHER	5	5					M8	
	0521 0106 000	PIN,snap	2	2				210D~50276 210 ~10173 250D ~50468 250 ~10297		Deleted
13	1984 0217 002	ROD	1	1				210D:50162~ 210 10111~ 250D.50312~ 250 10146~		
	○	ROD	1	1			B		1984 0217 001	
	1021 0253 000	ROD	•	1					For England	
14	1983 0218 001	PEDAL,accele	1	1						
	○	PEDAL,accele	1	1			A		1021 0221 002	

FIG.601 ENGINE CONTROL



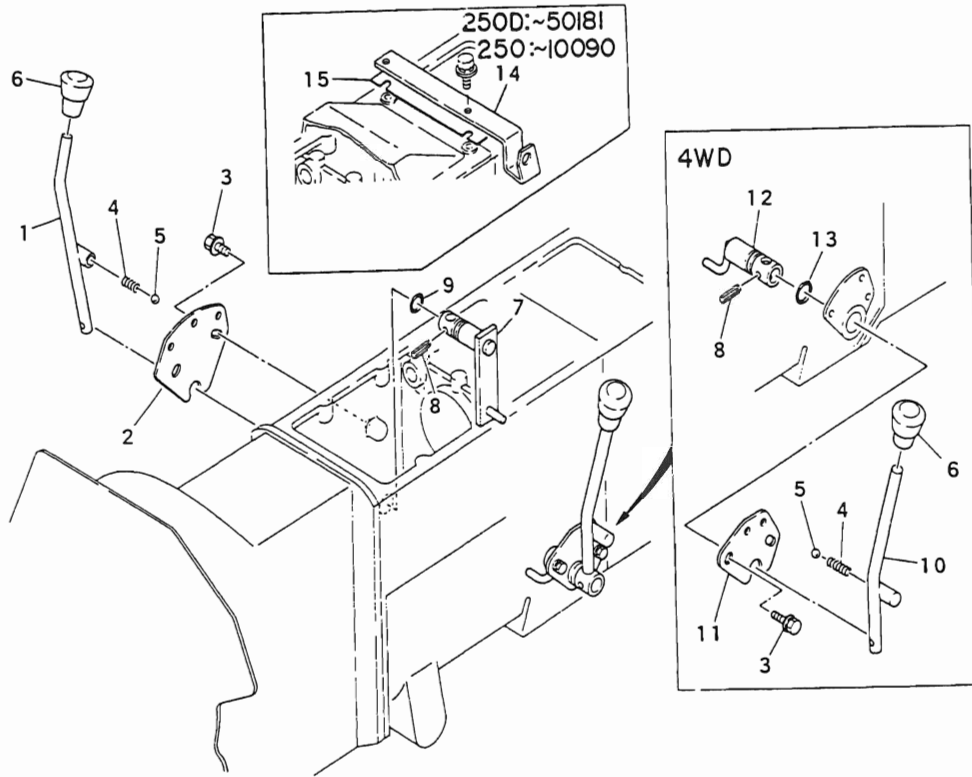
Key No	Parts No	Parts Name	Q'ty				P/P	Application	Description	Remarks
			21PS	25PS						
15	1019 0228 000	SPRING	1	1						
16	1021 0222 OC1	ARM	1	1						
17	0550 0003 020	PIN, spring	1	1				φ3X20		
18	0520 0130 016	PIN, split	1	1				φ3X16		
	○	PIN, split	1	1			A	φ3.0X15	0520 0130 015	
19	A040 0106 025	BOLT	1	1				210D ~ 50131	M6X25	Deleted
								210 ~ 10090	M6X25	
								250D ~ 50276	M6X25	
								250 ~ 10130	M6X25	
20	A303 0106 002	NUT	1	1				210D ~ 50131	M6	Deleted
								210 ~ 10090	M6	
								250D ~ 50276	M6	
								250 ~ 10130	M6	

FIG.602 TRANSMISSION CONTROL LEVER



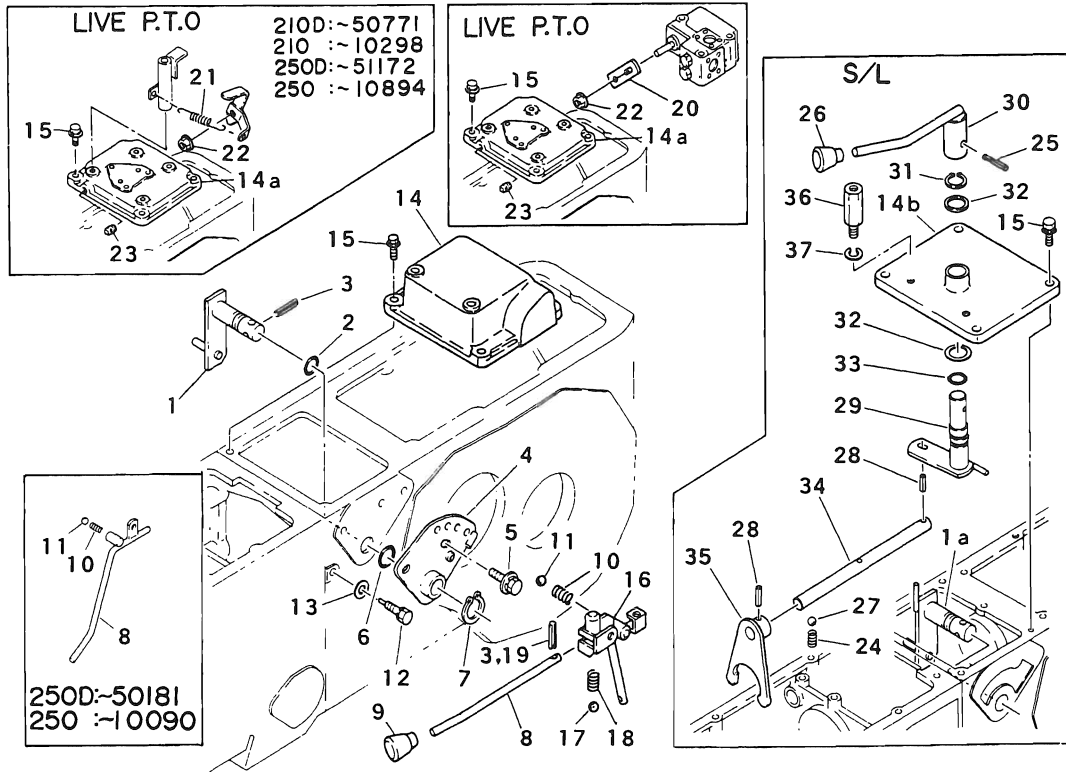
Key No	Parts No	Parts Name	Q' t y				F/P	Application	Description	Remarks
			4WD	2WD						
1	1021 1711 0C0	COVER,mission	1	1						
2	H155 0110 030	BOLT,w/washer	10	10				M10X30		
3	1021 1712 000	RAIL,shift	1	1						
4	1021 1713 000	RAIL,shift	1	1						
5	0741 0101 600	RING,snap	2	2						
6	2783 3013 000	PLUG	2	2						
7	1021 1715 000	FORK	2	2						
8	0550 0006 025	PIN,spring	4	4				φ6X25		
9	1021 1716 000	ADAPTER	2	2						
10	0741 0105 200	RING,snap	1	1				φ52		
11	0800 0000 900	BALL	7	7				11/32"		
12	69528-07600	PLUG	1	1						
13	67428-01700	SPRING	2	2						
14	0540 1010 018	PIN,dowel	2	2				φ10X18		
15~17	1021 1701 0C1	LEVER ASSY	1	1						
15	1021 1717 0C1	LEVER	1	1						
16	69528-06200	BALL	1	1						
17	0550 0005 032	PIN,spring	1	1				φ5X32		
18	67428-01401	COVER,dust	1	1						
19	69528-06400	GRIP B	1	1						
20	67428-01601	SPRING	1	1						
21	1021 1786 001	PLUG,oiling	1	1						
22	0830 0100 280	O-RING	1	1				φ28		
23	1021 1792 0C0	PLATE,p.t.o	1	1						
24	F154 0108 016	BOLT,w/washer	2	2				M8X16		

FIG.603 P.T.O CONTROL LEVER



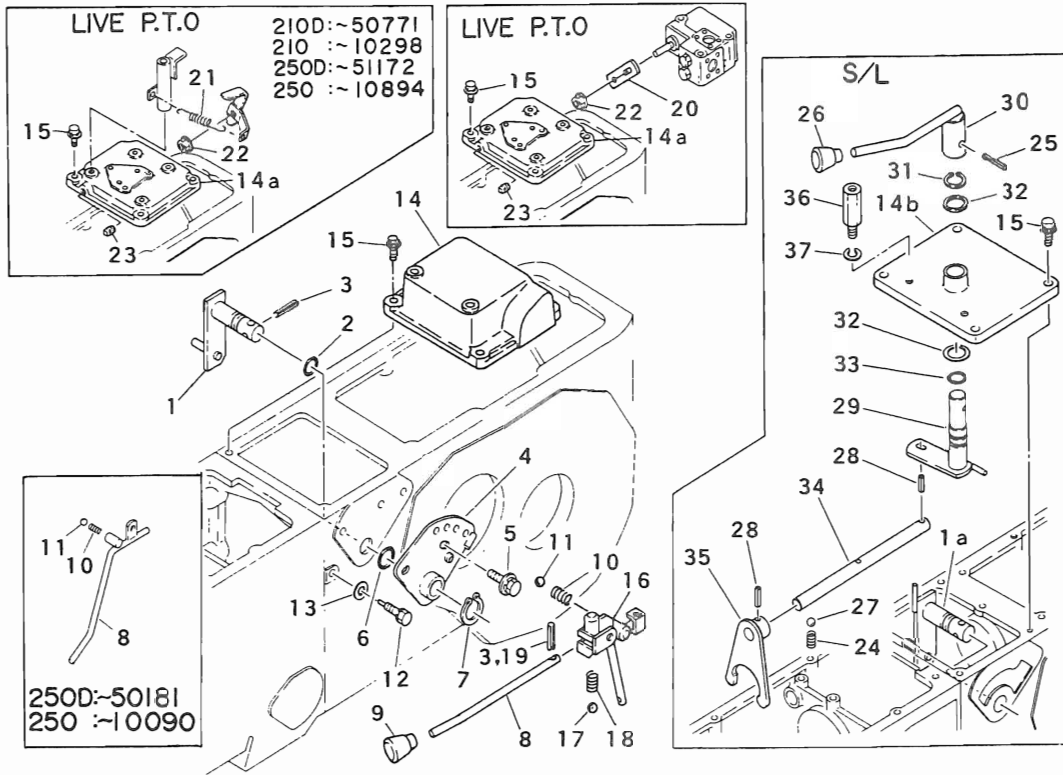
Key No	Parts No	Parts Name	Q'ty				P	Application	Description	Remarks
			4WD	2WD						
1	1021 1733 0C0	LEVER,P.T.O	1	1						
2	1984 1716 0C0	PLATE	1	1						
3	H154 0108 020	BOLT,w/washer	2	2				M8X20		
4	SA92 2079 000	SPRING	2	1						
5	0800 0000 900	BALL	2	1				11/32"		
6	0690 0012 360	GRIP	2	1						
7	1021 1731 0C0	ARM,p.t.o	1	1						
8	0550 0005 025	PIN,spring	2	1				φ5X25		
9	0830 0100 180	O-RING	1	1				φ18		
10	1021 1753 0C1	LEVER,front	1	•						
11	1021 1752 0C0	PLATE	1	•						
12	1021 1751 0C0	ARM	1	•						
13	0830 0100 200	O-RING	1	•				φ20		
14	1983 1721 0C1	BRACKET,s/w	1	1			250D.~50181 250 ~10090		Deleted	
	○	BRACKET,s/w	1	1			A		1983 1721 0C0	
15	1983 1733 000	PLATE	AR	AR			250D ~50181 250 ~10090		Deleted Deleted	

FIG.604 SUB CHANGE LEVER



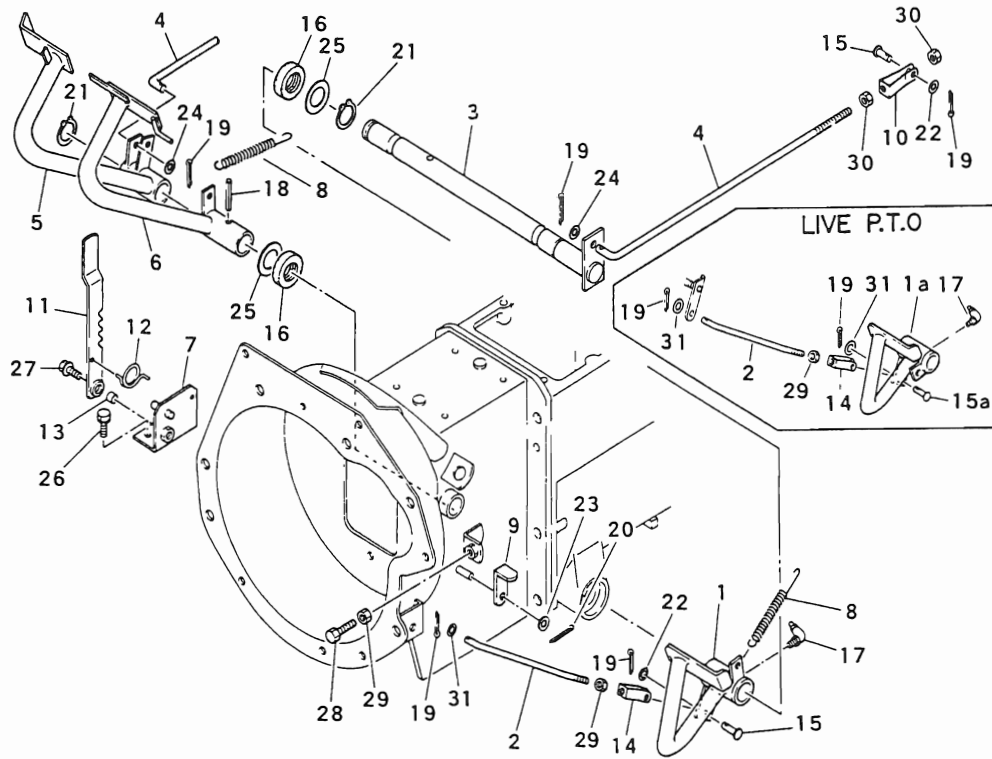
Key No	Parts No	Parts Name	Q'ty				F/P	Application	Description	Remarks
			21PS	25PS						
1	1983 1713 OC3	SHIFTER	1	1						
	○	SHIFTER	1	1			A			1983 1713 OC2
1a	1022 1756 OC1	SHIFTER	1	1						
	○	SHIFTER	•	1			A			1022 1756 OC0 For S/L
2	0830 0100 180	O-RING	1	1				210D 50162~ 210 10111~ 250D 50323~ 250 10185~	φ18 φ18 φ18 φ18	
3	1982 1725 000	PIN	1	1						
	○	PIN	2	2			B			1982 1725 000
4	1983 1712 OC1	PLATE,guide	1	1						
5	H154 0108 020	BOLT,w/washer	2	2					M8X20	
6	0830 0100 260	O-RING	1	1					φ26	
7	0740 0102 200	RING,snap	1	1					φ22	
8	1983 1741 OC1	LEVER A	1	1				250D 50182~ 250 10091~		
	1983 1711 OC1	LEVER	•	1			D			
9	0690 0012 360	GRIP	1	1						
10	SA92 2079 000	SPRING	1	1						
11	0800 0000 900	BALL	1	1					11/31"	
12	A052 0010 020	BOLT	1	1					M10X20	
13	05946-01000	WASHER	1	1					M10	
14	1983 1717 OC0	COVER	1	1						For STD
14a	1983 1729 OC1	COVER	1	1						For Live
14b	1022 1727 OC2	COVER	•	1						For S/L
15	F155 0110 030	BOLT	4	4					M10X30	
	○	BOLT,w/washer	4	4			A		M10X30	H155 0110 030
16	1983 1742 OC1	LEVER B	1	1				250D 50182~ 250 10091~		Added
17	0800 0000 900	BALL	1	1				250D 50182~ 250 10091~		Added
18	SA92 2079 000	SPRING	1	1				210D 50162~ 250 10091~		Added

FIG.604 SUB CHANGE LEVER



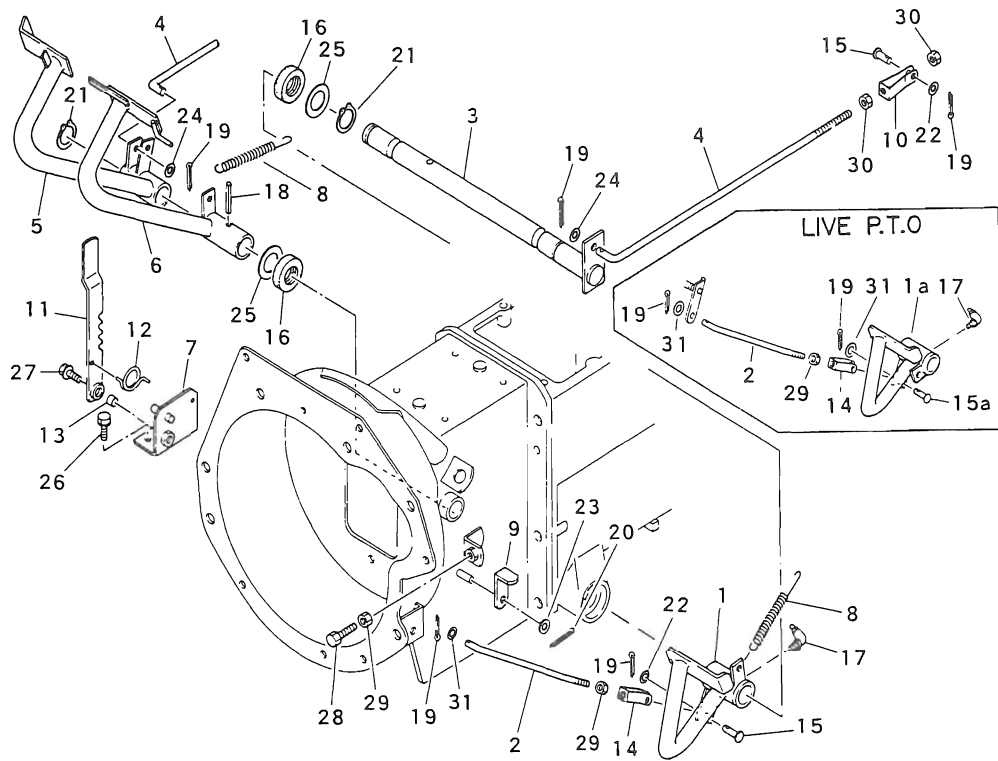
Key No	Parts No	Parts Name	Q'ty				P/P	Application	Description	Remarks
			21PS	25PS						
19	1982 1726 000	PIN	1	1				210D 50162~ 210 10111~ 250D-50323~ 250 10185~		Added Added Added Added
20	1983 1738 000	PLATE	1	1				210D 50772~ 210 10299~ 250D 51173~ 250 10895~		For Live P.T.O For Live P.T.O For Live P.T.O For Live P.T.O
21	1983 1724 002 69552-06500	ARM, valve SPRING	1 1	1 1			D	210D ~50771 210 ~10298 250D ~51172 250 ~10894		Deleted For Live P.T.O Deleted For Live P.T.O Deleted For Live P.T.O Deleted For Live P.T.O
22	F301 0108 001	NUT	1	1					M8	For Live P.T.O
23	A601 0101 000	PLUG	1	1						For Live P.T.O
24	67428-01700	SPRING	•	1						
25	0550 0005 025	PIN	•	1					φ5X25	For S/L
26	0691 0012 250	GRIP	•	1						For S/L
27	0800 0000 900	BALL	•	1						For S/L
28	0550 0006 025	PIN	•	2					φ6X25	For S/L
29	1022 1743 0C2	SHAFT	•	1						For S/L
30	1022 1744 0C1	LEVER	•	1						For S/L
31	0740 0102 000	RING, snap	•	1					φ20	For S/L
32	3690 1223 000	WASHER	•	2						For S/L
33	0830 0100 160	O-RING	•	1					φ16	For S/L
34	1021 1774 000	RAIL, shift	•	1						For S/L
35	1021 1775 000	FORK	•	1						For S/L
36	1022 3412 0C1	STUD	•	2						For S/L
37	A360 0101 002	WASHER, spring	•	2					M10	For S/L

FIG.605 CLUTCH & BRAKE CONTROL (1/2)



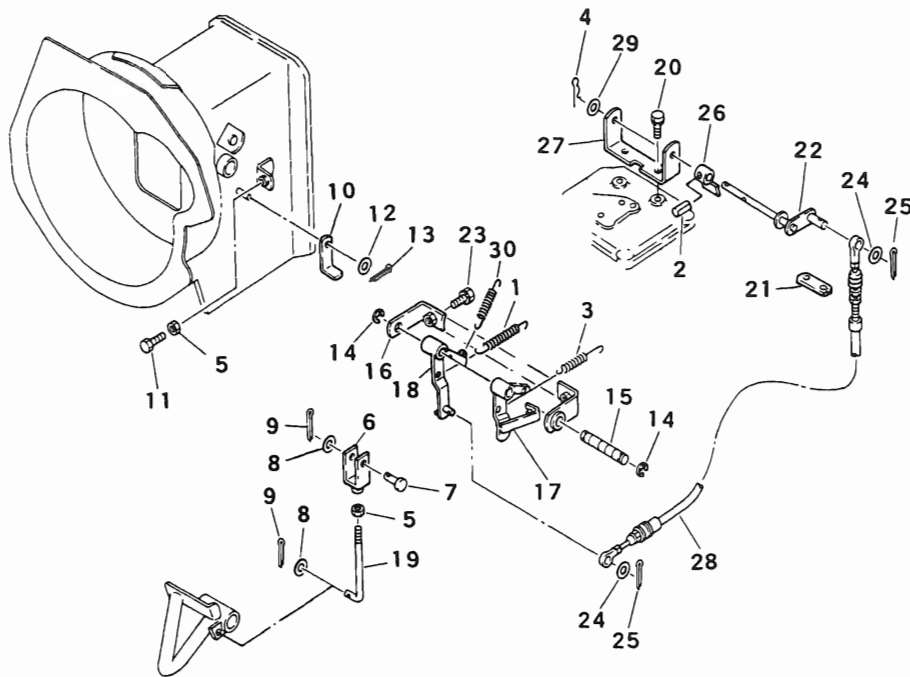
Key No	Parts No	Parts Name	Q'ty				P	Application	Description	Remarks
			STD	LIVE						
1	1021 1811 0C0	PEDAL,clutch	1	•						
1a	1983 1814 0C4	PEDAL,clutch		•	1					
2	1983 1851 000	ROD	1	1			210D.50132~ 210 ·10091~ 250D·50277~ 250 ·10131~			
	○	ROD		•	1		B		1021 1812 001	
3	1021 1813 0C0	SHAFT	1	1						
4	1021 1814 000	ROD	2	2						
5	1021 1815 0C1	PEDAL R.H	1	1						
6	1021 1816 0C1	PEDAL L.H	1	1						
7	1021 1817 0C3	BRACKET	1	1						
	○	BRACKET	1	1			A		1021 1817 0C2	
8	1021 1818 000	SPRING	3	2						
9	1021 1819 000	HOOK	1	•						
10	1007 2222 000	JOINT	2	2						
11	1174 1817 0C0	RATCHET	1	1						
12	67200-25500	SPRING	1	1						
13	67700-26000	COLLAR	1	1						
14	1021 1821 000	FORK,joint	1	1				210D 50132~ 210 10091~ 250D 50277~ 250 ·10131~		
	SA91 1838 000	FORK,joint	1	1			D			
15	SF28 5508 025	PIN	3	•						
15a	F2855-08025	PIN		•	3			φ8X25		
15b	○	PIN		•	3		A		SF28 5508 025	
16	0840 1025 388	SEAL,oil	2	2				TC25388		
17	A651 3600 300	NIPPLE,grease	2	2						
18	0550 0008 040	PIN,spring	1	1				φ8X40		
19	0520 0125 020	PIN,split	6	6				φ2.5X20		
20	0520 0120 016	PIN,split	1	•				φ2X16		
	○	PIN,split	1	•			A	φ2X15	0520 0120 015	
21	0740 0102 500	RING,snap	2	2				φ25		
22	0350 0130 815	WASHER	3	•				M8		

FIG.605 CLUTCH & BRAKE CONTROL (1/2)



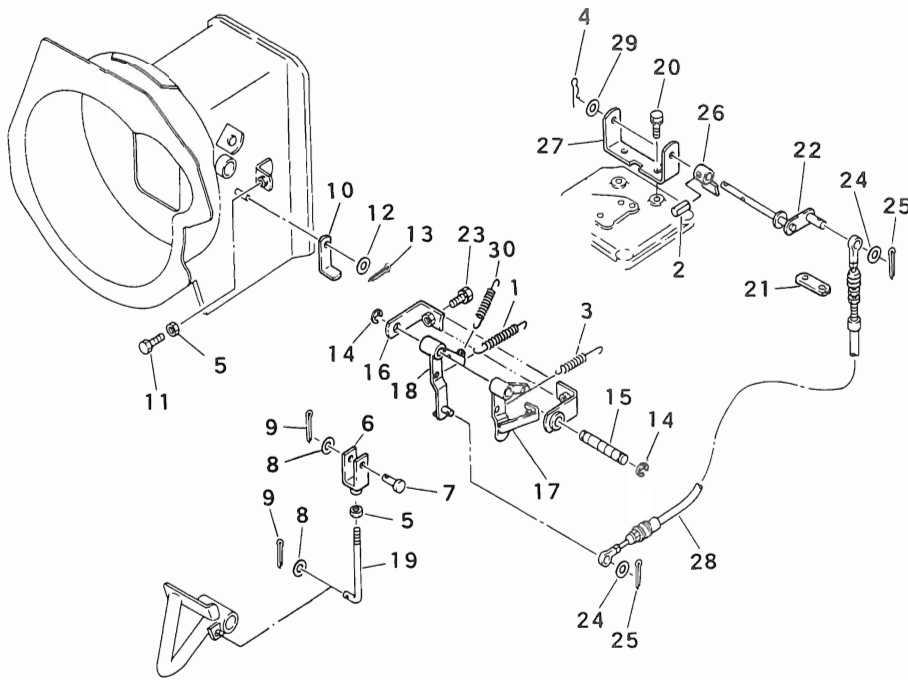
Key No	Parts No	Parts Name	Q' t y				P	Application	Description	Remarks
			STD	LIVE						
	0350 0140 818	WASHER	•	2				M8		
23	0350 0130 820	WASHER	1	•				M8		
24	0350 0141 022	WASHER	2	2				M10		
25	F2500-24000	WASHER	2	2						
26	F154 0108 016	BOLT,w/washer	2	2				M8X16		
27	H154 0108 030	BOLT,w/washer	1	1				M8X30		
28	A050 0108 030	BOLT	1	•				M8X30		
29	A301 0108 001	NUT	2	1				M8		
30	A303 0110 001	NUT	2	2				M10		
31	0350 0140 818	WASHER	1	2				M8		

FIG.606 CLUTCH & BRAKE CONTROL (2/2) (LIVE P.T.O)



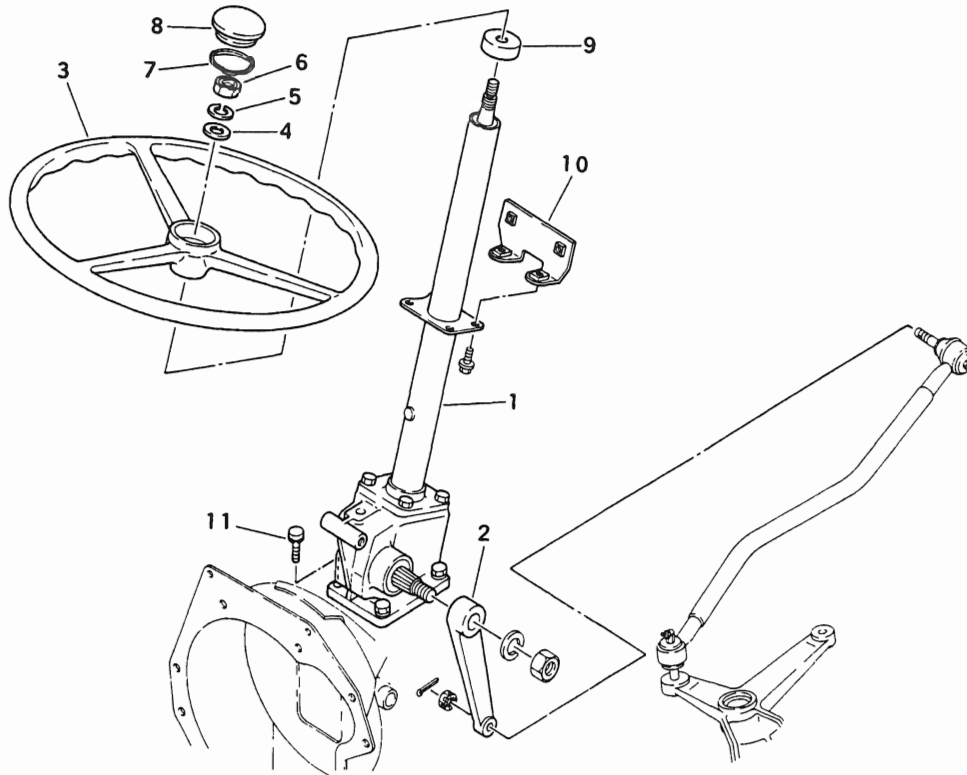
Key No	Parts No	Parts Name	Q'ty				F/P	Application	Description	Remarks
			STD	LIVE						
1	1983 1827 000	SPRING	•	1						
2	0550 0005 025	PIN,SPRING	•	1				φ5X25		
3	1021 1818 000	SPRING	•	1						
4	0521 0112 000	PIN,snap	•	1						
5	A301 0108 001	NUT	•	2				M8		
6	1021 1821 000	FORK,joint	•	1				210D:50132~ 210·10091~ 250D:50277~ 250·10131~		
7	○ F2855-08025	FORK,joint PIN,clevis	•	1			B		SA91 1838 000	
8	○ 0350 0140 818	PIN,clevis WASHER,plain	•	1			A	φ8X25	SF28 5508 025	
9	0520 0125 020	PIN,split	•	2				M8		
10	1021 1819 000	HOOK	•	2				φ2.5X20		
11	A050 0108 030	BOLT	•	1				M8X30		
12	0350 0140 818	WASHER,plain	•	1				M8		
13	0520 0120 016	PIN,split	•	1						
14	○ 0742 0101 200	PIN,split E-RING	•	1			A		0520 0120 015	
15	1983 1819 000	SHAFT	•	2				M12		
16	1983 1811 002	BRACKET,link	•	1						
17	1983 1813 0C3	ARM B	•	1				210D:50197~ 210·10126~ 250D:50340~ 250·10208~		
18	○ 1983 1812 0C3	ARM B ARM A	•	1			B		1983 1813 0C2	
19	1983 1816 000	ROD	•	1						
20	F154 0108 016	BOLT,w/washer	•	2				M8X16		
21	1983 1821 0C1	PLATE	•	1				210D:50197~ 210·10126~ 250D:50340~ 250·10208~		
	○	PLATE	•	1			B		1983 1821 0C0	

FIG.606 CLUTCH & BRAKE CONTROL (2/2) (LIVE P.T.O)



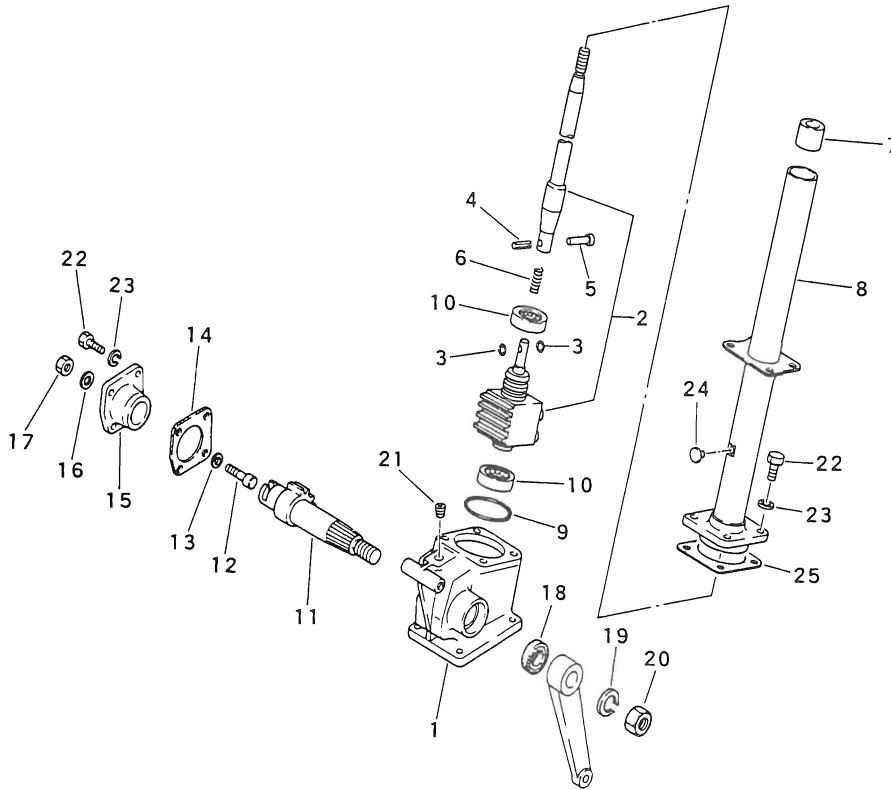
Key No	Parts No	Parts Name	Q'ty				P	Application	Description	Remarks
			STD	LIVE						
22	1983 1822 002	ARM		• 1						
23	H154 0108 025	BOLT,w/washer		• 2				M8X25		
24	0350 0130 615	WASHER,plain		• 2				M6		
25	0520 0125 016	PIN,split		• 2				φ2.5X16		
	○	PIN,split		• 2			A	φ2 5X15	0520 0125 015	
26	1983 1826 000	ARM		• 1						
27	1983 1817 0C1	BRACKET		• 1						
28	1983 1818 002	WIRE		• 1				210D 50197~ 210 10126~ 250D 50340~ 250 10208~		
	○	WIRE		• 1			B		1938 1818 001	
29	0350 0161 230	WASHER,plain		• 1				M12		
30	67200-06300	SPRING		• 1						

FIG.607 STEERING



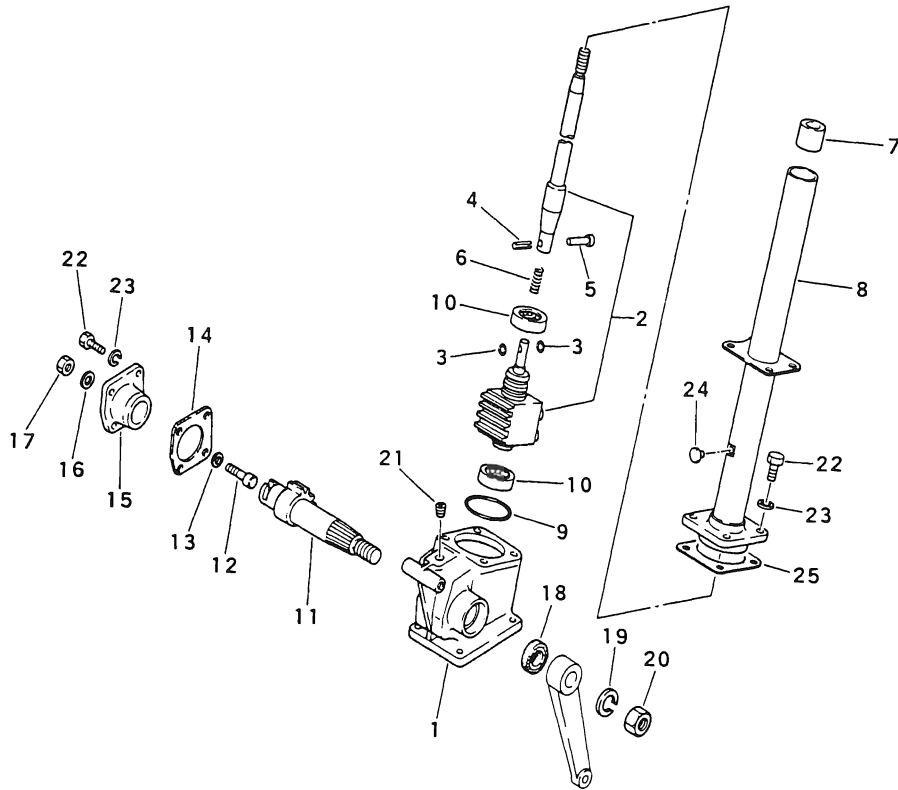
Key No	Parts No	Parts Name	Q'ty				F/P	Application	Description	Remarks
			54PS	25PS						
1	1021 2201 OJ3	GEAR BOX ASSY	1	1				210D:50197~ 210 10126~ 250D:50340~ 250 10208~		See Fig.608
	○	GEAR BOX ASSY	1	1			B	210D:50012~ ~50196 210 10011~ ~10125 250D:500182~ ~50339 250 10091~ ~10207		1021 2201 OJ2
2	1021 2201 OJ1	GEAR BOX ASSY	•	1			D	210D 50162~ 210 10111~ 250D:50182~ 250 10146~		
	1021 2211 OJ2	ARM,pitman	1	1						
	1021 2211 OJ0	ARM,pitman	1	1			D			
3	1120 2130 000	WHEEL,steering	1	1						
4	0350 0151 430	WASHER	1	1					M14	
	○	WASHER	1	1			A		M14	0350 0161 436
5	A360 0101 402	WASHER,spring	1	1					M14	
6	A303 0114 001	NUT	1	1					M14	
	○	NUT	1	1			A		M14	A303 0114 002
7	1120 2130 400	RING,snap	1	1						
8	1120 2130 300	CAP	1	1						
9	1019 2121 000	COVER	1	1						
10	1019 2545 0C1	HOLDER	1	1						
11	F155 0110 030	BOLT,w/washer	4	4					M10X30	

FIG.608 STEERING GEAR BOX



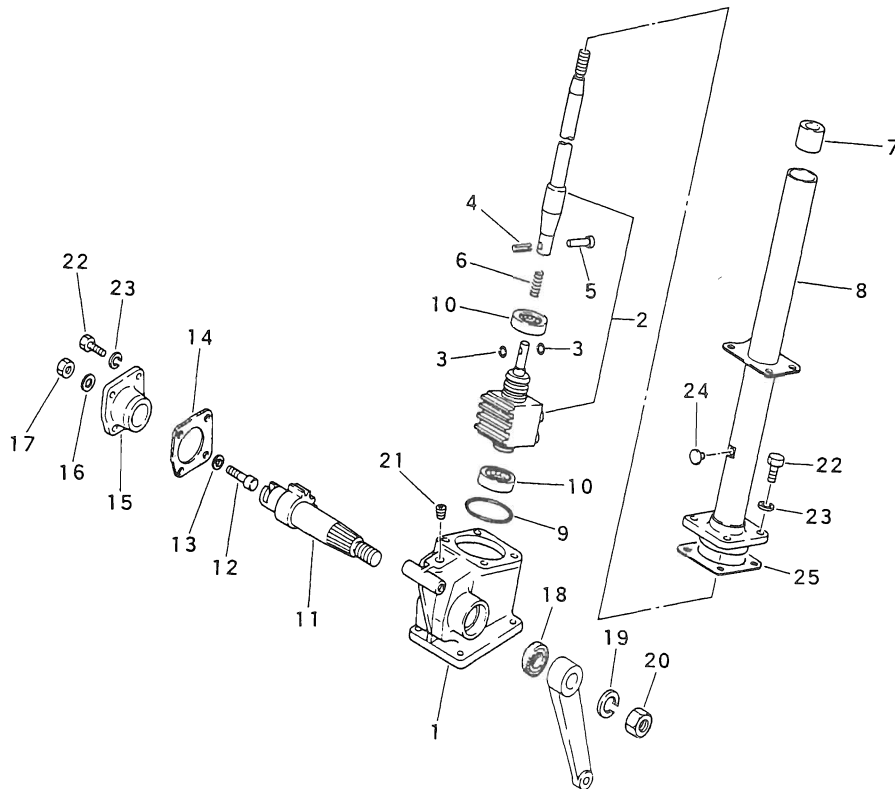
Key No	Parts No	Parts Name	Q'ty				P	Application	Description	Remarks
			21PS	25PS						
1~25	1021 2201 0J3	GEAR BOX ASSY	1	1				210D 50197~ 210 10126~ 250D 50340~ 250 10208~		
	○	GEAR BOX ASSY	1	1			B	210D 50012~ ~50196 210 10011~ ~10125 250D 50182~ ~50339 250 10091~ ~10207		1021 2201 0J2
1	1021 2201 0J1	GEAR BOX ASSY	•	1			D			
	*	BOX,gear	1	1						
2~6	1021 2202 001	BALL NUT ASSY	1	1				210 10011~ 250D 50182~ 250 10091~		
	1021 2202 000	BALL NUT ASSY	•	1			D			
2	*	SHAFT,steering	1	1						
3	1174 2201 240	O-RING	2	2						
4	1174 2201 250	PIN,spring	1	1						
5	1174 2201 260	RIVET	1	1						
6	1174 2201 270	SPRING	1	1						
7	1174 2201 170	BUSHING,column	1	1						
8	1021 2203 002	COLUMN ASSY	1	1				210D 50197~ 210 10126~ 250D 50340~ 250 10208~		

FIG.608 STEERING GEAR BOX



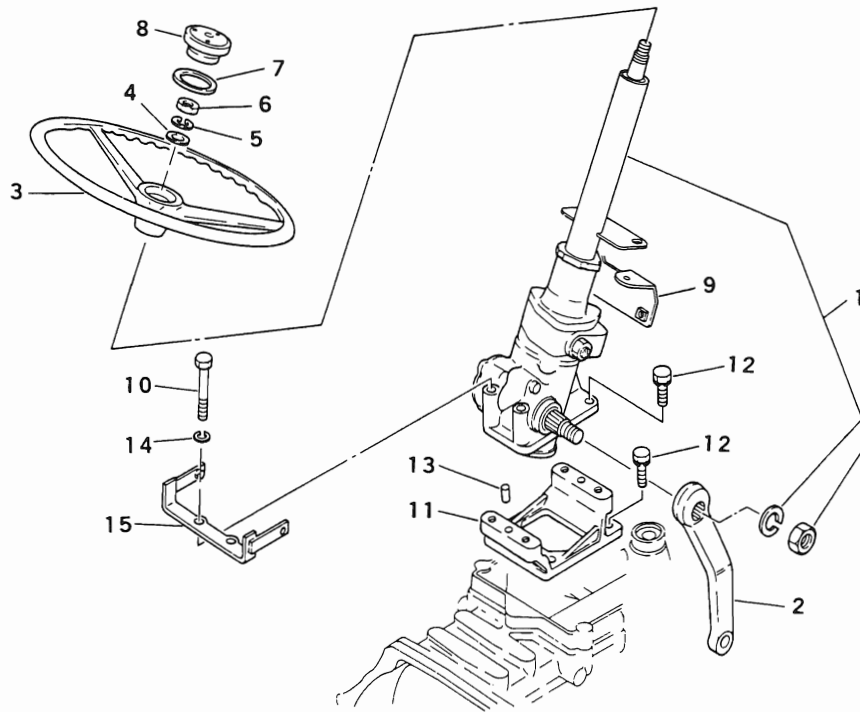
Key No	Parts No	Parts Name	Q'ty				F/P	Application	Description	Remarks
			21PS	25PS						
8	1021 2203 001	COLUMN ASSY	1	1			D	210D:50012~ ~50196 210 10011~ ~10125 250D.50182~ ~50339 250 10091~ ~10207		
	1021 2203 000	COLUMN ASSY	•	1			D			
9	1019 2116 000	O-RING	1	1						
10	1174 2201 130	BEARING	2	2						
11	1021 2221 001	SHAFT,sector	1	1			A	210D:50012~ 210 10011~ 250D 50182~ 250 10091~		1021 2221 000
	○	SHAFT,sector	1	1						
	67453-00111	SHAFT,sector	•	1			D			
12	64353-91213	SCREW,adjusting	1	1						
13	67453-00114	SHIM KIT	C	C					t=0.6-1	
14	1021 2204 120	PACKING,side	1	1			A	210D 50012~ 210 10011~ 250D 50182~ 250 10091~		1021 2204 110
	○	PACKING,cover	1	1						
	67453-00116	PACKING,cover	•	1			D			
15	1021 2204 000	COVER ASSY	1	1				210D 50012~ 210 10011~ 250D 50182~ 250 10091~		
	67453-00040	COVER ASSY	•	1						
16	1019 2117 000	WASHER,seal	1	1						
17	A303 0110 002	NUT	1	1					M10	
18	67453-00117	SEAL,oil	1	1						
19	A360 0102 002	WASHER	1	1					M20	
	○	WASHER,spring	1	1			A		M20	F2515-20000

FIG.608 STEERING GEAR BOX



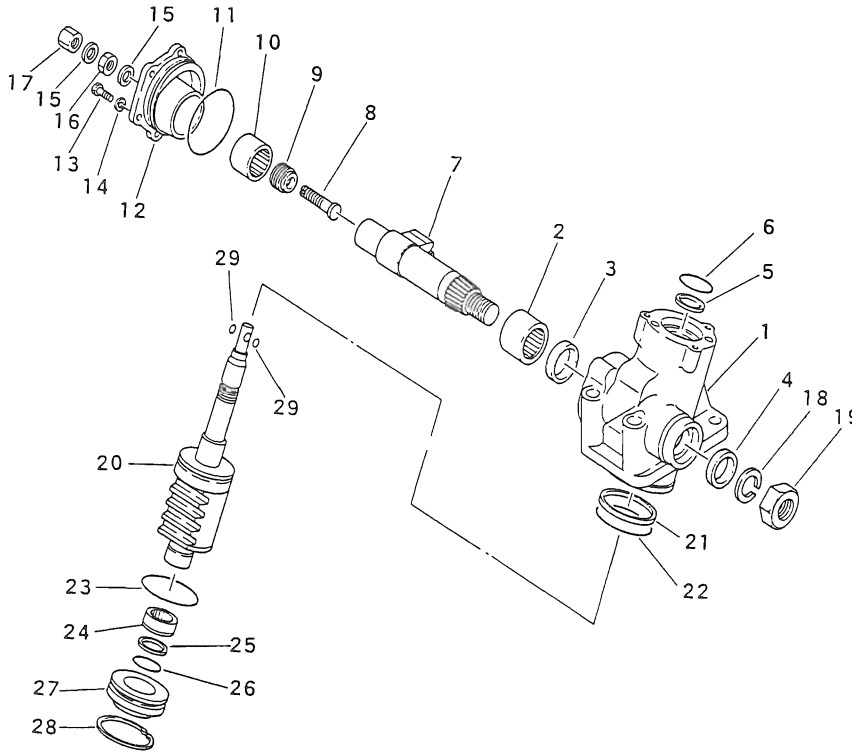
Key No	Parts No	Parts Name	Q' t y				F P	Application	Description	Remarks
			21PS	25PS						
20	A304 0120 001	NUT	1	1				M20		
	○	NUT	1	1			A	M20	F2300-20000	
21	67472-00700	PLUG	1	1				PT= 1/4		
22	F1025-08022	BOLT	8	8				M8X22		
23	A360 0100 802	WASHER	8	8				M8		
	○	WASHER, spring	8	8			A	M8	F2515-08000	
24	1019 2114 000	BREATHER	1	1						
25	67453-00115	SHIM KIT	C	C				t= 1.1	Est of 2pce	

FIG.609 STEERING (P/S)



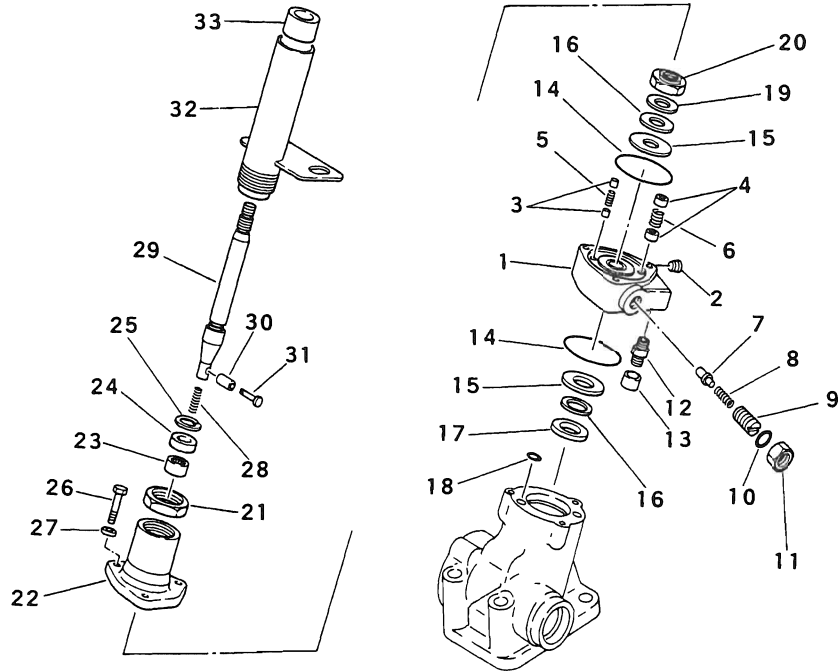
Key No	Parts No	Parts Name	Q'ty				P	Application	Description	Remarks
			4WD	2WD						
1	1021 2205 0J0	GEAR BOX ASSY	1	1					See Fig 610,611	
2	1021 2212 0J2	ARM,pitman	1	1						
3	1120 2130 000	WHEEL,steering	1	1						
4	0350 0151 430	WASHER	1	1				M14		
	○	WASHER	1	1			A	M14	0350 0161 436	
5	A360 0101 402	WASHER,spring	1	1				M14		
6	A303 0114 001	NUT	1	1				M14		
7	1120 2130 400	RING,snap	1	1						
8	1120 2130 300	CAP	1	1						
9	1021 2215 0C0	HOLDER	1	1						
10	A055 0110 100	BOLT	2	2				M10X100		
11	1021 2213 0C2	BRACKET	1	1						
12	F155 0110 030	BOLT,w/washer	6	6				M10X30		
13	0540 1110 020	PIN,dowel	2	2				φ10X20		
14	A360 0101 002	WASHER,spring	2	2				M10		
15	1021 2214 0C1	HOLDER	1	1						

FIG.610 STEERING GEAR BOX (1/2) (P/S)



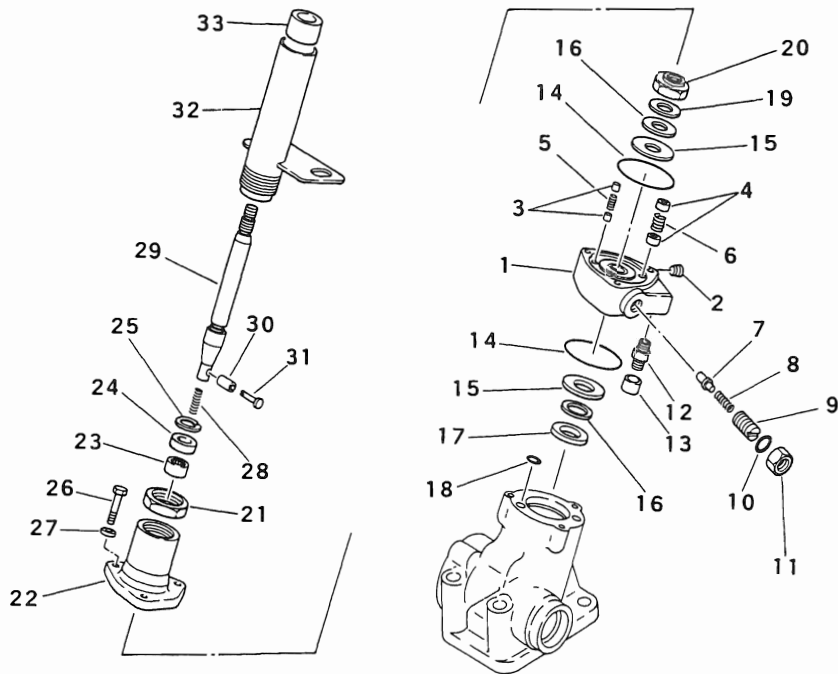
Key No	Parts No	Parts Name	Q'ty				P	Application	Description	Remarks
			4WD	2WD						
1~28	1021 2205 0J0	GEAR BOX ASSY	1	1					Inc the Fig 611	
1~6	1174 2301 110	GEAR CASE ASSY	1	1						
1	*	CASE,gear	1	1						
2	69553-06413	BEARING	1	1						
3	69553-06414	U-PACKING	1	1						
4	69553-06415	SEAL,oil	1	1						
5	69553-06416	RING	1	1						
6	0830 0500 300	O-RING	1	1				φ30		
7~9	69553-06430	SECTOR SHAFT	1	1						
7	69553-06431	SHAFT,sector	1	1						
8	1174 2301 180	SCREW,adjust	1	1						
9	69553-06433	ADJUSTER	1	1						
10~12	69553-06424	SIDE COVER	1	1						
10	1174 2301 130	BEARING	1	1						
11	0830 0220 600	O-RING	1	1				φ60		
12	69553-06425	COVER,side	1	1						
13	1174 2301 210	BOLT	4	4						
14	A360 0101 002	WASHER,spring	4	4				M10		
15	1180 2131 530	PACKING	2	2						
16	1174 2301 230	NUT	1	1						
17	1174 2301 220	NUT	1	1						
18	A360 0102 202	WASHER,spring	1	1				M22		
19	A304 0122 002	NUT	1	1				M22		
20~22	69553-06417	BALL-NUT ASSY	1	1						
20	*	BALL-NUT	1	1						
21	69553-06418	SEAL	1	1						
22	0830 0200 500	O-RING	1	1				φ50		
23~27	69553-06420	FRONT COVER	1	1						
23	69553-06423	O-RING	1	1						
24	69553-06422	BEARING,needle	1	1						
25	69553-06416	RING	1	1						
26	0830 0550 300	O-RING	1	1				φ30		
27	69553-06421	COVER,front	1	1						
28	0741 0106 300	RING,snap	1	1				φ63		
29	68453-60544	O-RING	2	2						

FIG.611 STEERING GEAR BOX (2/2) (P/S)



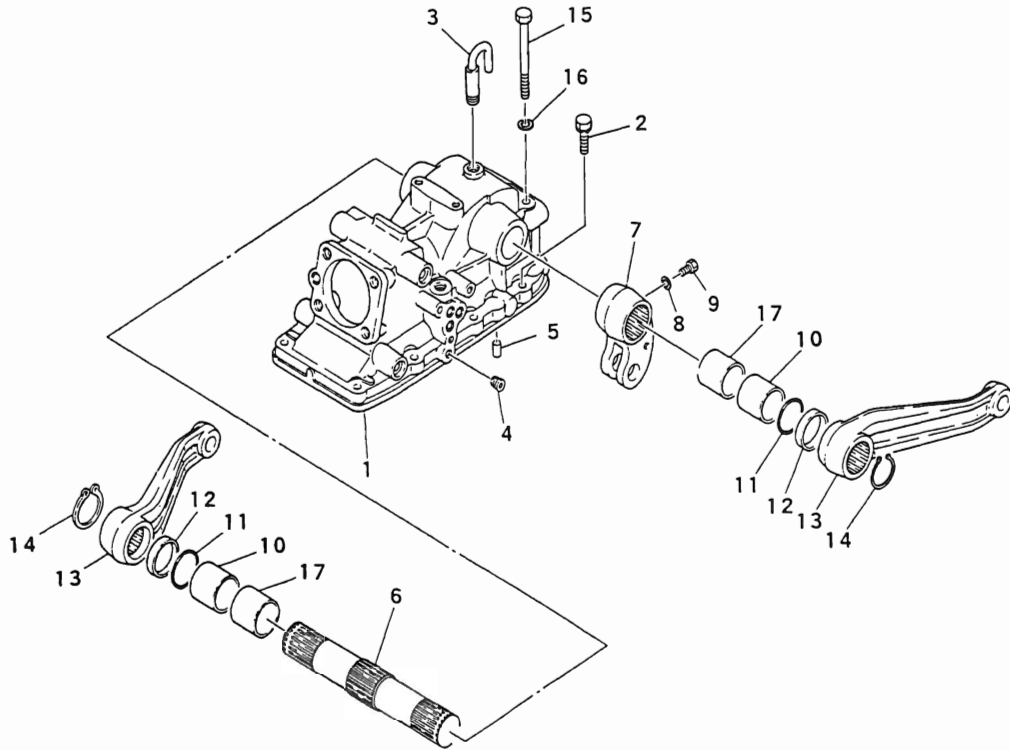
Key No	Parts No	Parts Name	Q'ty				P	Application	Description	Remarks
			4WD	2WD						
1~33	1021 2205 0J0	GEAR BOX ASSY	1	1					Inc. the Fig.610	
1~11	1179 2313 150	VALVE HOUSING	1	1						
	○	HOUSING ASSY	1	1			A		1174 2301 160	
1	*	HOUSING, valve	1	1						
2	1174 2301 170	PLUG	2	2						
3	1180 2131 280	PISTON	4	4						
4	1180 2131 290	PISTON	4	4						
5	1180 2131 310	SPRING	2	2						
6	1179 2313 160	SPRING	2	2				210D:50257~ 210 ·10166~ 250D:50362~ 250 ·10286~		
7	1180 2131 320	SPRING	2	2						
	1179 2313 180	POPET	1	1				210D:50257~ 210 ·10166~ 250D 50362~ 250 10286~		
8	68453-60525	POPET	1	1			D			
	68453-60526	SPRING	1	1				210D:50257~ 210 ·10166~ 250D:50362~ 250 ·10286~		
9	1179 2313 210	SCREW	1	1			D			
	68453-60527	SCREW	1	1				210D:50257~ 210 ·10166~ 250D:50362~ 250 10286~		
10	1179 2313 190	O-RING	1	1			D		φ18	
	0830 0100 180	O-RING	1	1				210D:50257~ 210 10166~ 250D.50362~ 250 ·10286~	φ18 φ18 φ18 φ18	
11	1179 2313 170	NUT	1	1			D			
	68453-60524	NUT	1	1						
12	1174 2301 250	CONNECTOR	2	2						

FIG.611 STEERING GEAR BOX (2/2) (P/S)



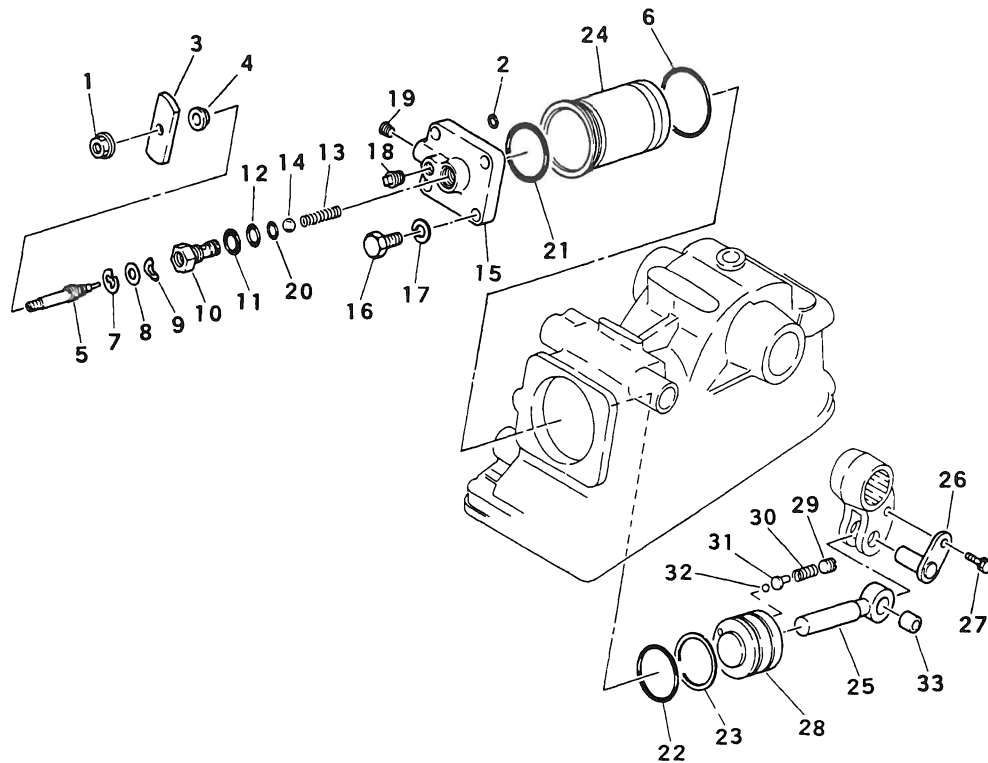
Key No	Parts No	Parts Name	Q' t y				P	Application	Description	Remarks
			4WD	2WD						
13	1174 2301 260	PLUG	2	2						
14	0830 0500 700	O-RING	2	2				φ70		
15	1180 2131 370	RING TRACK	2	2						
	○	WHEEL	2	2			A			
16	1180 2131 390	BEARING,needle	2	2						
17	1174 2301 240	RING,track	1	1					1174 2301 240	
	○	WHEEL	1	1			A			
18	0830 0100 080	O-RING	2	2				φ8		
19	69553-06439	RING,track	1	1					69553-06439	
	○	WHEEL	1	1			A			
20	1180 2131 410	NUT	1	1						
21	68453-60553	NUT	1	1						
22-25	68453-60531	REAR COVER ASSY	1	1						
22	68453-60532	COVER,rear	1	1						
23	1180 2131 260	BEARING,needle	1	1						
24	1180 2131 220	SEAL,oil	1	1						
25	0741 0103 200	RING,snap	1	1				φ32		
26	68453-60550	BOLT	3	3						
27	A360 0101 002	WASHER,spring	3	3				M10		
28	68453-60547	SPRING	1	1						
29	1021 2208 000	STEERING SHAFT	1	1						
30	68453-60545	PIN,spring	1	1						
31	68453-60546	RIVET	1	1						
32,33	1021 2206 000	COLUMN A ASSY	1	1						
32	1021 2207 000	COLUMN B ASSY	1	1						
33	1180 2131 230	BUSHING,column	1	1						

FIG.701 HYDRAULIC LIFT



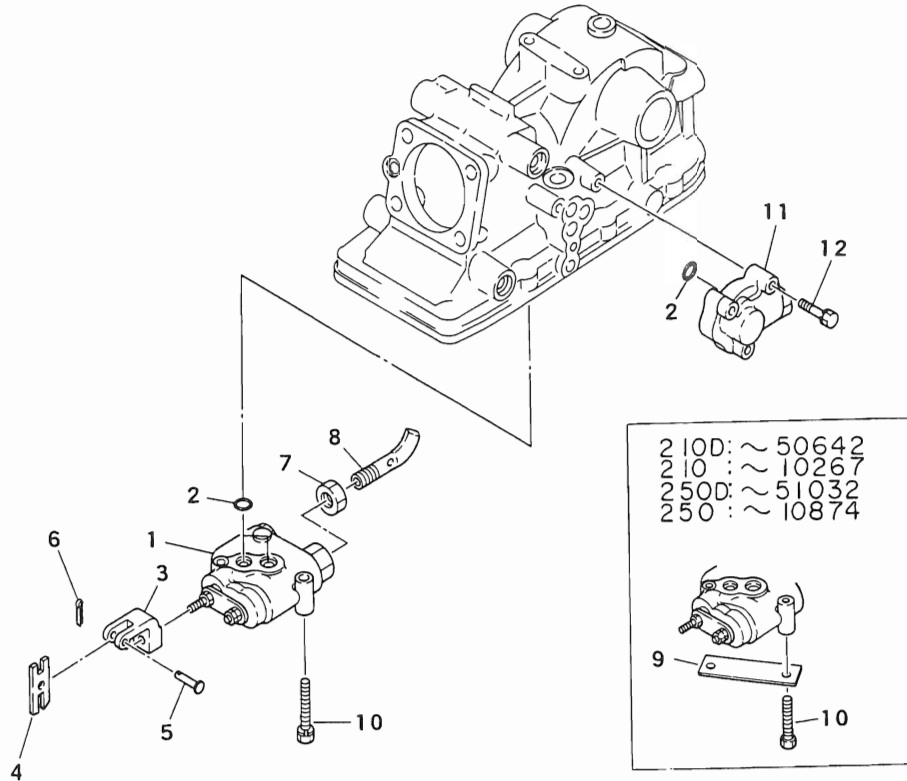
Key No	Parts No	Parts Name	Q'ty				P	Application	Description	Remarks
			4WD	2WD						
1	1021 2411 0C0	CASE,hydraulic	1	1						
2	F155 0110 045	BOLT,w/washer	8	8				M10X45		
3	69572-16100	PIPE,vent	1	1						
4	A601 0101 300	PLUG	4	4				PT1/4		
	○	PLUG	4	4			A	PT1/4	F5005-13000	
5	0540 1010 018	PIN,dowel	2	2				φ10X18		
6	1983 2419 000	SHAFT	1	1						
7	1021 2417 001	ARM,power	1	1						
8	A360 0100 802	WASHER,spring	1	1				M8		
9	67372-00800	BOLT,special	1	1						
10	1181 2214 000	BUSHING	2	2						
11	0830 0120 400	O-RING	2	2				φ40		
12	1021 2421 000	COLLAR	2	2						
13	1984 2441 0C0	ARM,hydraulic	2	2				210D:50561~ 210 10227~ 250D:50899~ 250 10849~		
	1021 2418 0C0	ARM,lift	2	2			D			
14	0740 0104 000	RING,snap	2	2				φ40		
15	A055 0110 130	BOLT	2	2				M10X130		
16	A360 0101 002	WASHER,spring	2	2				M10		
17	1176 2465 000	BUSHING	2	2				210D:50564~ 210 10227~ 250D:50899~ 250 10849~	Added	

FIG.702 HYDRAULIC CYLINDER



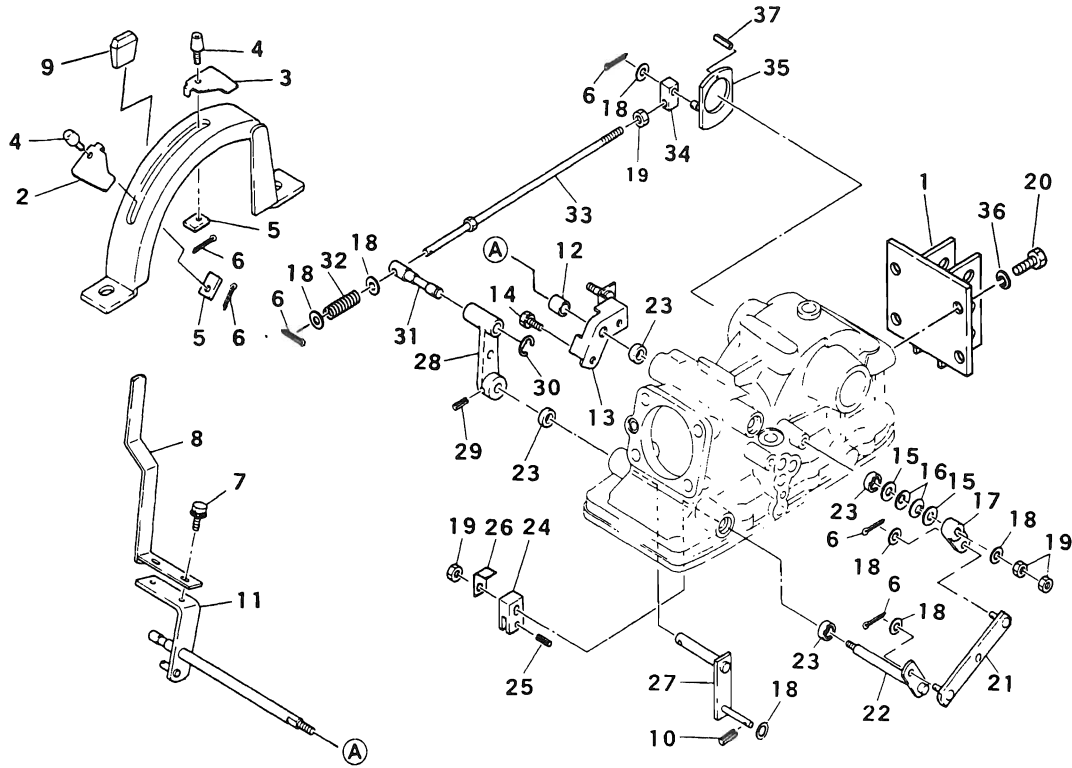
Key No	Parts No	Parts Name	Q'ty				F/P	Application	Description	Remarks
			4WD	2WD						
23	67374-01100	RING,back up	1	1						
24	1983 2415 000	CYLINDER	1	1				210D:50197~ 210 ·10126~ 250D:50340~ 250 ·10208~		
	○	CYLINDER	1	1			B		1021 2412 000	
25	1174 2416 001	ROD,piston	1	1						
26	1174 2466 000	PIN,hydraulic	1	1						
27	F154 0108 016	BOLT,w/washer	1	1				M8X16		
28-32	1983 2401 000	PISTON ASSY	1	1				210D.50162~ 210 ·10111~ 250D.50312~ 250 ·10146~	Added	
28	1983 2414 000	PISTON	1	1				210D.50162~ 210 ·10111~ 250D·50312~ 250 10146~		
29	67374-20500 1911 2483 000	PISTON SCREW	1 1	1 1			D	210D.50162~ 210 10111~ 250D 50312~ 250 ·10146~		
30	69474-80200	SPRING	1	1				210D 50162~ 210 ·10111~ 250D:50312~ 250 ·10146~		
31	1911 2484 000	SEAT	1	1				250D·50312~ 210 10111~ 250D:50312~ 250 ·10146~		
32	0800 0000 300	BALL	1	1				210D 50162~ 210 10111~ 250D 50312~ 250 ·10146~		
33	1176 2462 000	BUSHING	1	1						

FIG.703 HYDRAULIC CONTROL VALVE



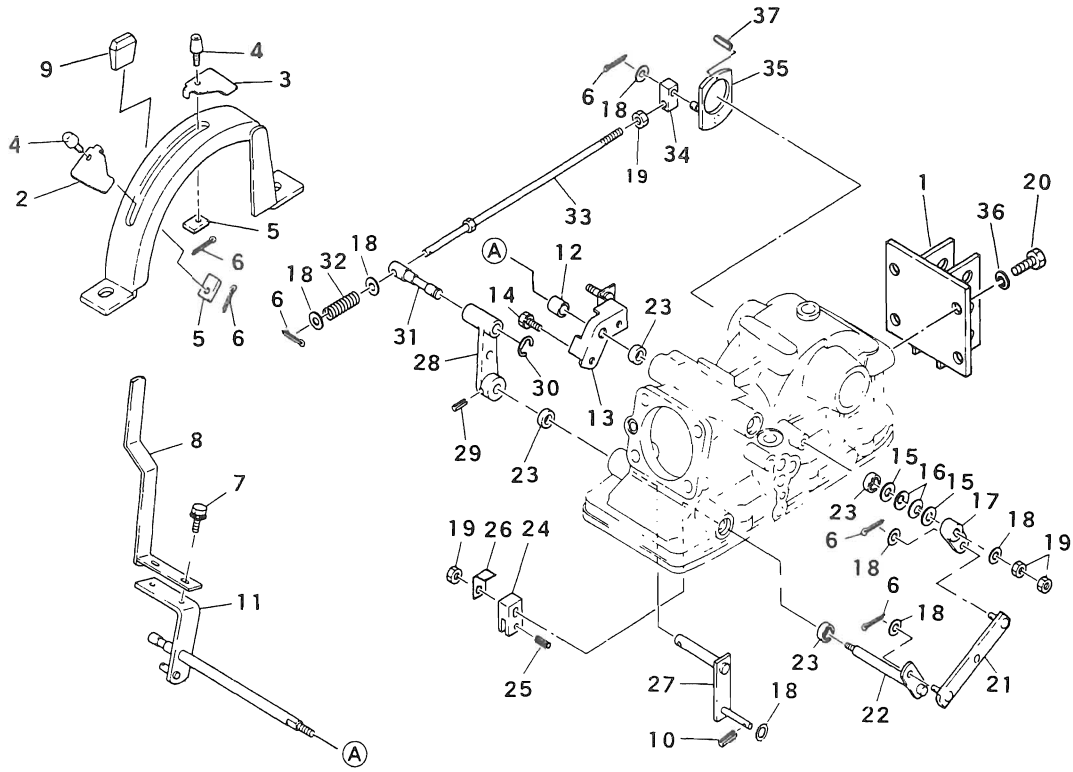
Key No	Parts No	Parts Name	Q'ty				P/P	Application	Description	Remarks
			4WD	2WD						
1	1003 2416 001	CONTROL VALVE	1	1					See Fig 707	
2	0830 1100 120	O-RING	5	5				φ12		
3	1021 2425 001	FORK	1	1						
4	1003 2419 001	LINK, valve	1	1				210D 50257~ 210 10166~ 250D 50390~ 250 10298~		
	1003 2419 000	LINK, valve	1	1						
	1003 2419 001	LINK, valve	1	1					1003 2419 000	
	○	LINK, valve	1	1			B			
5	0561 0106 030	PIN, clevis	1	1				φ6X30		
6	0520 0116 012	PIN, split	1	1				φ1.6X12		
7	A303 0114 003	NUT	1	1				M14		
8	1021 2435 001	PIPE	1	1						
9	1003 2422 000	PLATE, lock	1	1				210D ~ 50642 210 ~ 10267 250D ~ 51032 250 ~ 10874	Deleted	
10	F154 0108 045	BOLT	2	2				M8X45		
	○	BOLT	2	2			A	M8X45	A054 0108 045	
11	1021 2437 0C0	COVER ASSY	1	1					See Fig 707	
12	F154 0108 045	BOLT, w/washer	3	3				M8X45		

FIG.704 POSITION CONTROL



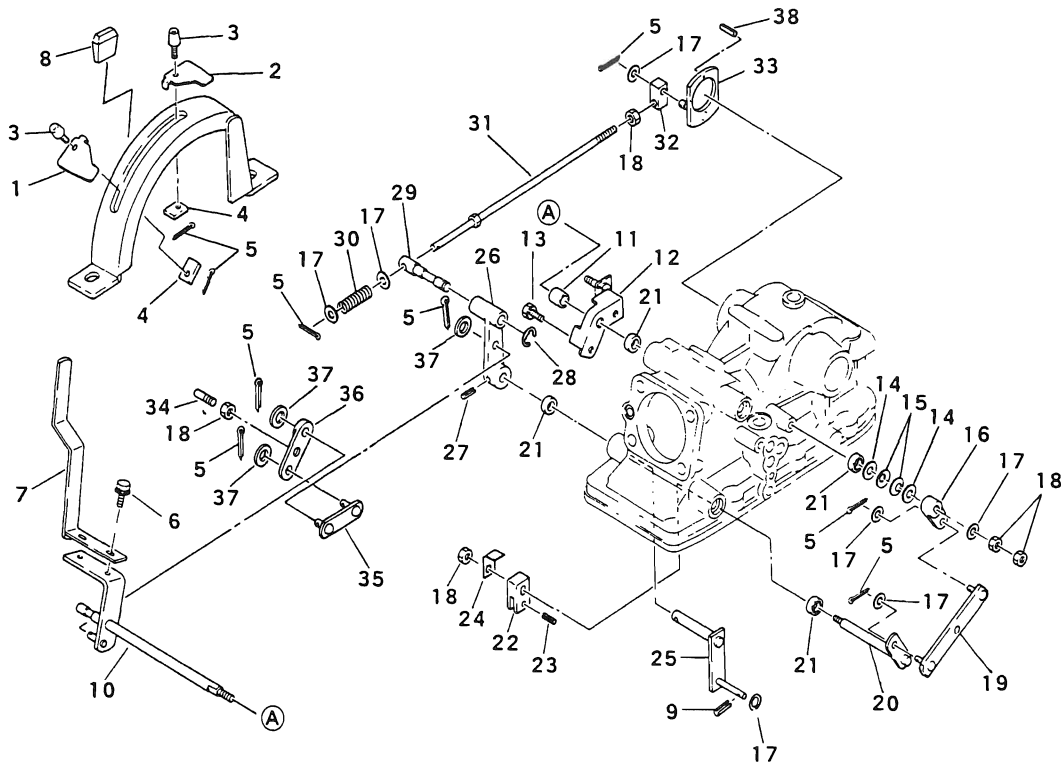
Key No	Parts No	Parts Name	Q'ty				P	Application	Description	Remarks
			4WD	2WD						
1	1021 3026 0C0	BRACKET	1	1						
2	1003 2447 001	STOPPER	1	1						
3	1019 2447 000	STOPPER	1	1						
4	1021 2438 000	GRIP	2	2						
5	1003 2448 000	PLATE,lock	2	2						
6	0520 0125 016	PIN,split	6	6				φ2.5X16		
	○	PIN,split	6	6			A	φ2.5X15	0520 0125 015	
7	H154 0108 016	BOLT,w/washer	2	2				M8X16		
8	1984 2421 0C0	LECEP POSTION	1	1				210D:50499~ 210 :10222~ 250D:50870~ 250 :10834~		
	○	LEVER,position	1	1			B		1022 2429 0C0	
	○	LEVER,position	1	1			A		1021 2429 0C3	
9	1174 2449 000	GRIP	1	1						
10	0550 0003 020	PIN,spring	1	1				φ3X20		
11	1021 2427 0C0	LEVER,control	1	1						
12	2750 2473 0C0	BOSS	1	1						
13	1003 2424 0C0	BRACKET,lever	1	1						
14	F154 0108 020	BOLT,w/washer	2	2				M8X20		
15	0350 0151 226	WASHER	2	2				M12		
	○	WASHER	1	1			A	M12	0350 0151 226	
16	3610 5725 100	SPRING,disc	2	2				210D 10222~ 210 :50499~ 250D 10834~ 250 :50870~		
	1003 2426 000	SPRING,plain	2	2			D			
17	1003 2427 0C0	ARM,lever link	1	1						
18	0350 0130 815	WASHER	7	7				M8		
19	A301 0108 001	NUT	4	4				M8		
20	A040 0114 030	BOLT	4	4				M14X30		
21	1003 2428 0C0	LEVER,link	1	1						
22	1021 2424 0C0	SHAFT,link	1	1						
23	0840 1012 227	SEAL,oil	4	4				TC12227		
24	1003 2415 000	SHIFTER, valve	1	1						

FIG.704 POSITION CONTROL



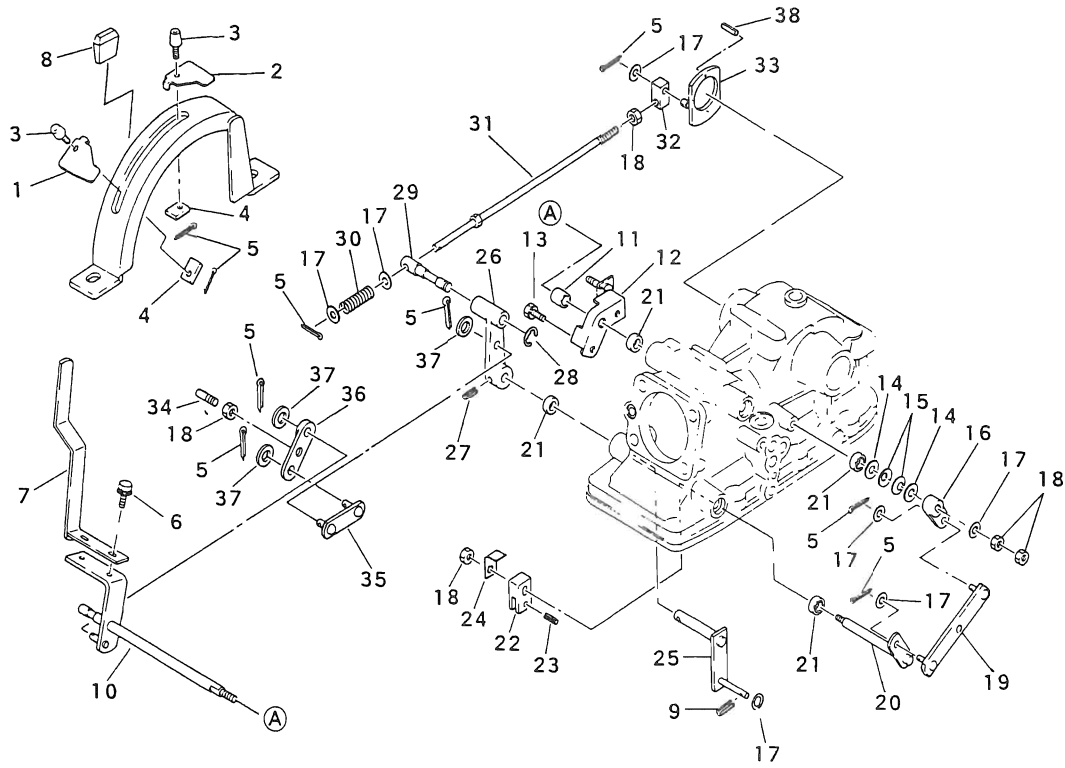
Key No	Parts No	Parts Name	Q'ty				R/P	Application	Description	Remarks
			4WD	2WD						
25	0550 0008 016	PIN,spring	1	1				φ8X16		
26	1135 2426 000	PLATE	1	1						
27	1021 2426 000	LEVER	1	1						
28	1003 2409 0C0	ARM,feed back	1	1						
29	0550 0005 028	PIN,spring	1	1				φ5X28		
30	0742 0100 800	E-RING	1	1				φ8		
31	1021 2428 0C0	PIN,joint	1	1						
32	1984 2419 000	SPRING	1	1						
33	1021 2433 001	ROD	1	1						
34	1021 2423 000	JOINT	1	1						
35	1983 2413 0C0	ARM	1	1						
36	A360 0101 402	WASHER,spring	4	4				M14		
37	0550 0004 016	PIN,spring	1	1						

FIG.705 DRAFT CONTROL (DRAFT)



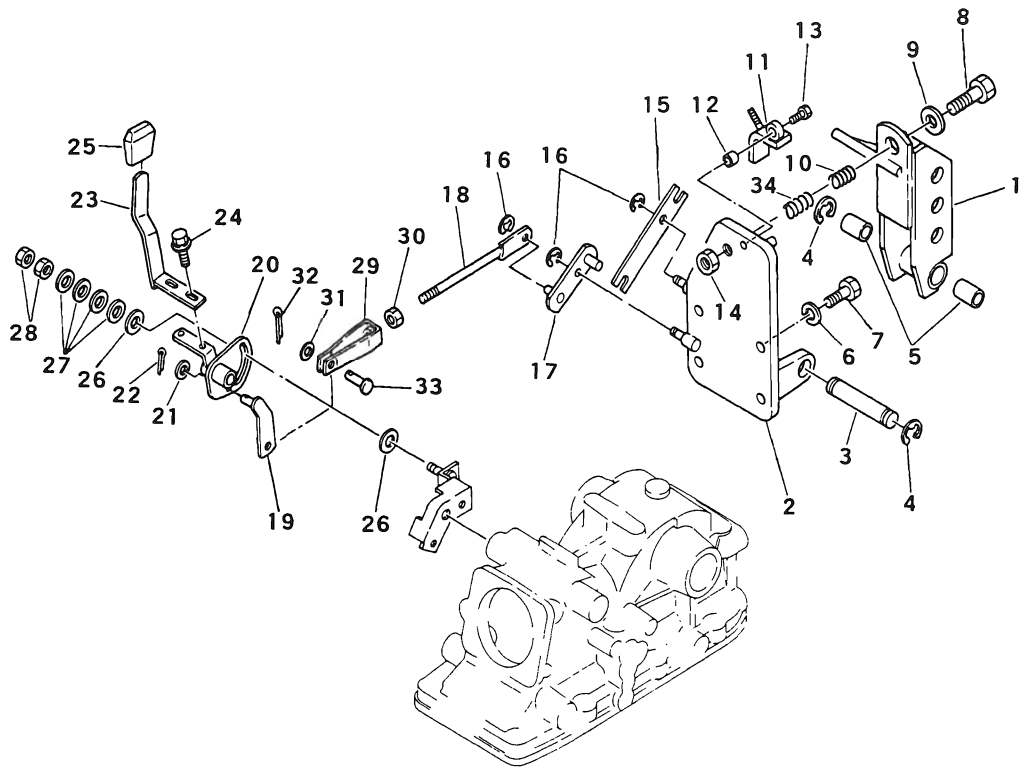
Key No	Parts No	Parts Name	Q'ty				F/P	Application	Description	Remarks
			4WD	2WD						
1	1003 2447 001	STOPPER FR	1	1						
2	1019 2447 000	STOPPER RE	1	1						
3	1021 2438 000	GRIP	2	2						
4	1003 2448 000	PLATE,lock	2	2						
5	0520 0125 016	PIN,split	9	9						
	○	PIN,split	9	9			A	φ2.5X15	0520 0125 015	
6	H154 0108 016	BOLT,w/washer	2	2						
7	1984 2421 0C0	LEVER POSTION	1	1				210D:50499~ 210·10222~ 250D:50870~ 250·10834~		
	○	LEVER,position	1	1			A		1021 2429 0C3	
8	1174 2449 000	GRIP	1	1						
9	0550 0003 020	PIN,spring	1	1				φ3X20		
10	1021 2427 0C0	LEVER,control	1	1						
11	2750 2473 0C0	BOSS	1	1						
12	1003 2424 0C0	BRACKET,lever	1	1						
13	F154 0108 020	BOLT,w/washer	2	2				M8X20		
14	0350 0151 226	WASHER	2	2				M12		
	○	WASHER	1	1			A	M12	0350 0151 226	
15	3610 5725 100	SPRING,disc	2	2				210D:50499~ 210 10222~ 250D 50870~ 250·10834~		
	1003 2426 000	SPRING,plain	2	2			D			
16	1003 2427 0C0	ARM,lever link	1	1						
17	0350 0130 815	WASHER	7	7				M8		
18	A301 0108 001	NUT	5	5				M8		
19	1003 2428 0C0	LEVER,link	1	1						
20	1021 2424 0C0	SHAFT	1	1						
21	0840 1012 227	SEAL,oil	4	4				TC12227		
22	1003 2415 000	SHIFTER, valve	1	1						
23	0550 0008 016	PIN,spring	1	1				φ8X16		
24	1135 2426 000	PLATE	1	1						
25	1021 2426 000	LEVER	1	1						

FIG.705 DRAFT CONTROL (DRAFT)



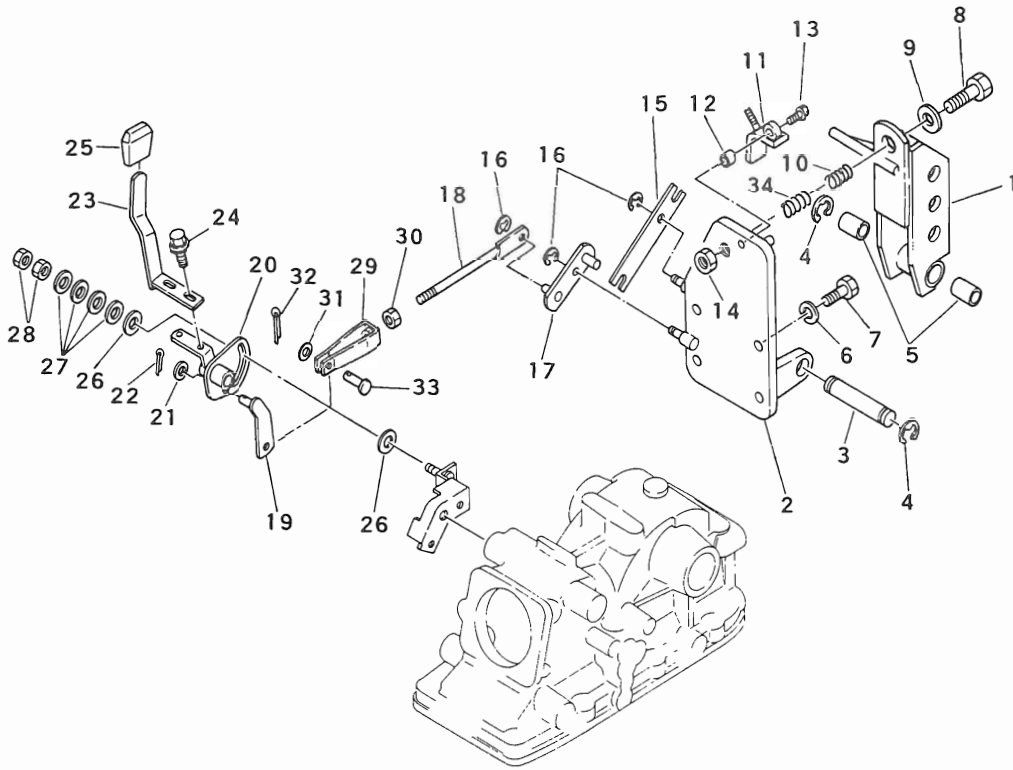
Key No	Parts No	Parts Name	Q'ty				P	Application	Description	Remarks
			4WD	2WD						
26	1003 2409 0C0	ARM	1	1						
27	0550 0005 028	PIN, spring	1	1				φ5X28		
28	0742 0100 800	E-RING	1	1				φ8		
29	1021 2428 0C0	PIN, joint	1	1						
30	1984 2419 000	SPRING	1	1						
31	1021 2433 001	ROD	1	1						
32	1021 2423 000	JOINT	1	1						
33	1983 2413 0C0	ARM	1	1						
34	1929 2163 000	BOLT	1	1						
35	1003 2431 0C0	ROD	1	1						
36	1019 2429 0C0	ARM, select	1	1						
	○	ARM, select	1	1			A		1003 2429 0C0	
37	0350 0130 815	WASHER	3	3				M8		
38	0550 0004 016	PIN, spring	1	1						

FIG.706 DRAFT BRACKET (DRAFT)



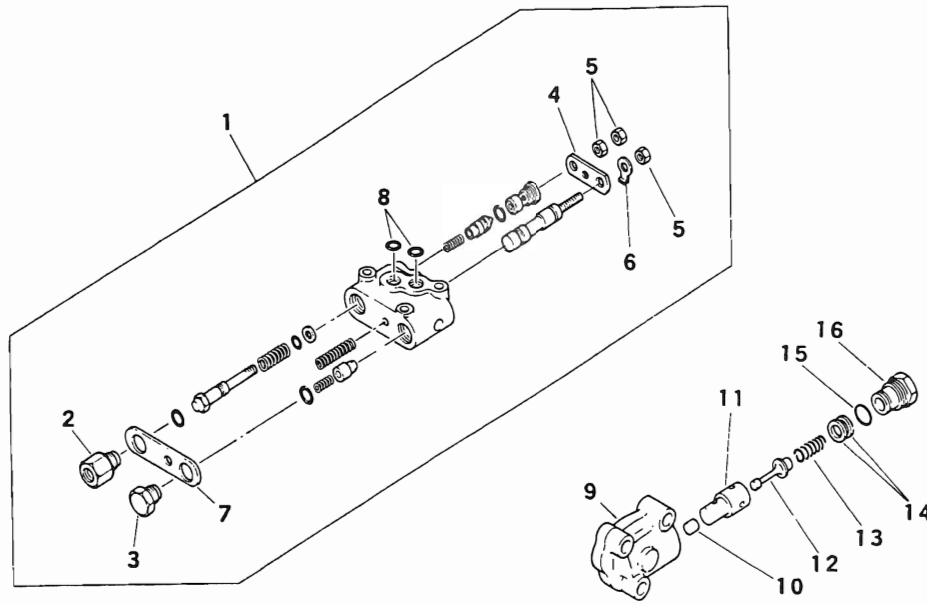
Key No	Parts No	Parts Name	Q'ty				P	Application	Description	Remarks
			4WD	2WD						
1	1983 2421 0C1	BRACKET	1	1						
2	1983 2422 0C1	BRACKET	1	1						
3	1174 2453 000	PIN	1	1						
4	0742 0101 500	E-RING	2	2				φ15		
5	65605-02030	BUSHING	2	2						
	○	BUSHING	2	2			A		68476-02300	
6	A360 0101 402	WASHER, spring	4	4				M14		
7	A040 0114 030	BOLT	4	4				M14X30		
8	A055 0116 070	BOLT	1	1				M16X70		
9	0350 0151 632	WASHER	1	1				M16		
10	1984 2415 000	SPRING	1	1						
11	68476-010C1	STOPPER	1	1						
12	67700-26000	COLLAR	1	1						
13	H154 0108 020	BOLT, w/washer	1	1				M8X20		
14	A303 0116 001	NUT	1	1				M16		
15	1983 2423 0C1	LINK A, draft	1	1				210D 50673~ 210 10278~ 250D 51068~ 250 10880~	1983 2423 0C1	
16	0742 0100 800	E-RING	4	4			B	φ8		
17	1983 2424 001	LINK B, draft	1	1				210D.50673~ 210 10278~ 250D 51068~ 250 10880~	1983 2424 000	
	○	LINK B, draft	1	1			B			
18	1983 2432 0C0	ROD, draft	1	1						
19	1983 2426 0C0	LINK D, draft	1	1						
20	1983 2431 0C0	BRACKET, lever	1	1						
21	0350 0130 815	WASHER	1	1				M8		
22	0520 0125 016	PIN, split	1	1				φ2.5X16		
23	1021 2431 0C1	LEVER, pac	1	1						
24	H154 0108 016	BOLT, w/washer	2	2				M8X16		
25	1174 2449 000	GRIP	1	1						
26	0350 0140 818	WASHERPLAIN	2	2				M8		

FIG.706 DRAFT BRACKET (DRAFT)



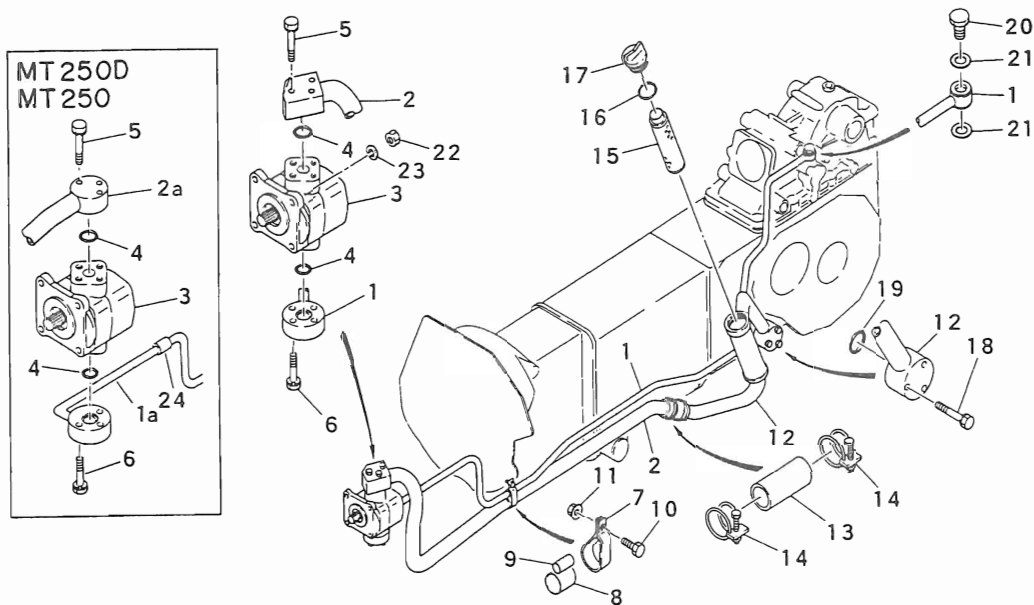
Key No	Parts No	Parts Name	Q' t y				P	Application	Description	Remarks
			4WD	2WD						
27	1003 2433 000	SPRING,disk	4	4						
28	A301 0108 001	NUT	2	2				M8		
29	1983 2433 000	JOINT	1	1				M10		
30	A303 0110 001	NUT	1	1						
31	0350 0141 022	WASHER	1	1				M10		
32	0520 0130 020	PIN,cotter	1	1				φ3X20		
33	0562 0110 025	PIN,clevis	1	1				φ10X25		
34	1984 2416 000	SPRING	1	1						

FIG.707 CONTROL VALVE & COVER



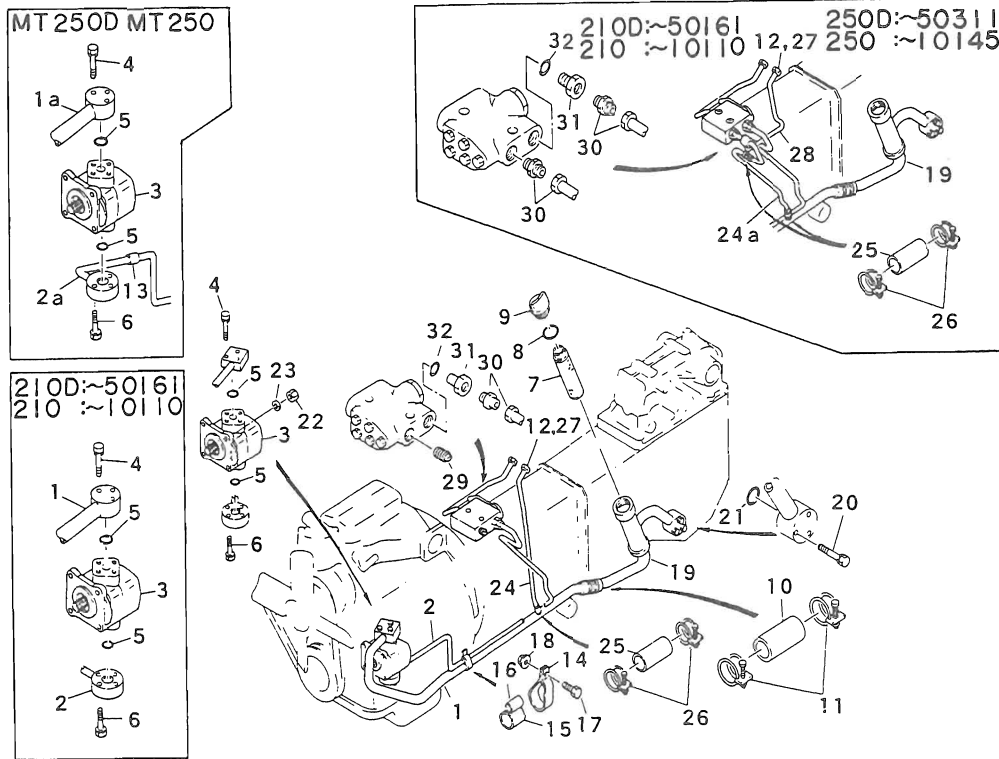
Key No	Parts No	Parts Name	Q'ty				P/P	Application	Description	Remarks
			4WD	2WD						
		CONTROL VALVE								
1	1003 2416 001	CONTROL VALVE	1	1						
2	*	PLUG	1	1						
3	*	PLUG	1	1						
4	*	PLATE	1	1						
5	A301 0108 003	NUT	3	3				M8		
6	1180 2471 130	PLATE,stopper	1	1						
7	*	PLATE	1	1						
8	0830 1100 120	O-RING	2	2				φ12		
		COVER								
9-16	1021 2437 0C0	COVER ASSY	1	1						
9	69573-160C1	COVER	1	1						
10	69573-16016	PLUG	1	1						
11	69573-16012	HOUSING	1	1						
12	69573-16013	POPET	1	1						
13	69573-16014	SPRING	1	1						
14	69573-16017	SHIM	AR	AR				t= 0.1		
	69573-16018	SHIM	AR	AR				t= 0.35		
	69573-16019	SHIM	AR	AR				t= 1.0		
	69573-16020	SHIM	AR	AR				t= 2.0		
	69573-16021	SHIM	AR	AR				t= 3.0		
15	0830 0500 160	O-RING	1	1				S16		
16	1021 2437 1C0	PLUG	1	1						

FIG.708 HYDRAULIC LINE (STD)



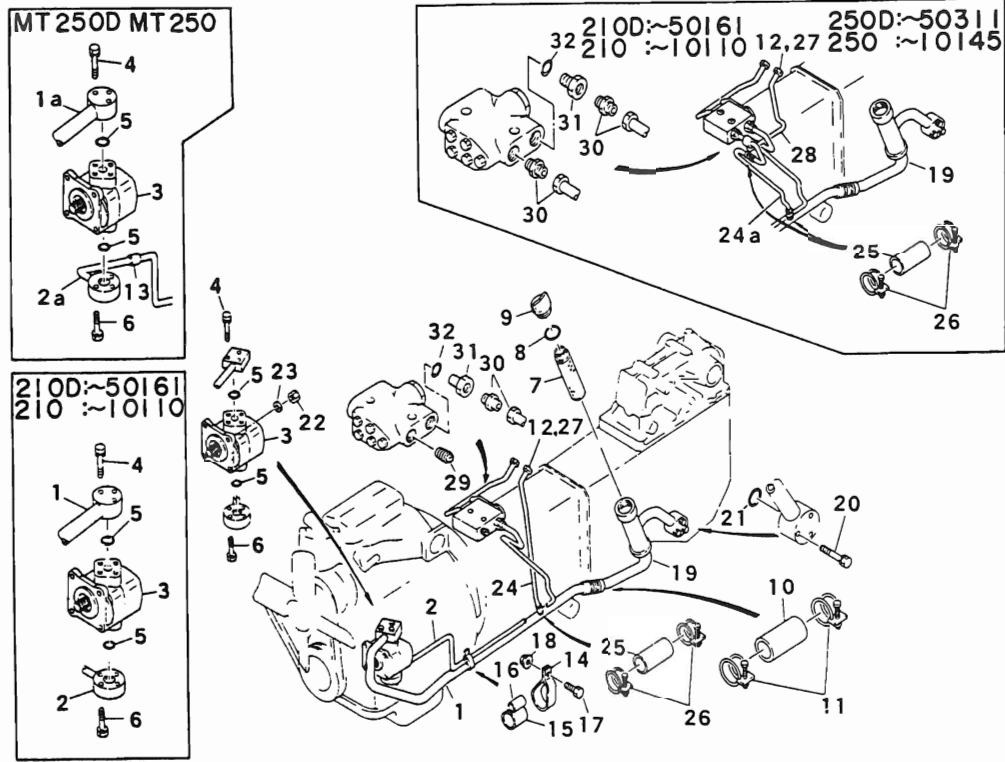
Key No	Parts No	Parts Name	Q' t y				F/P	Application	Description	Remarks
			21PS	25PS						
1	1983 2512 OC2	PIPE,pressure	1	•				210D 50162~ 210 10111~		
	○	PIPE,pressure	1	•			B			1983 2512 OC1
2	1984 2526 OC0	PIPE A,suction	1	•				210D 50257~ 210 10166~		
	○	PIPE A,suction	1	•			B			1983 2511 OC2
	○	PIPE A,suction	1	•			A			1983 2511 OC1
1a	1984 2512 OC1	PIPE,pressure	•	1						
2a	1984 2511 OC0	PIPE,suction	•	1						
3	1021 2511 000	HYDRAULIC PUMP	1	1						See Fig 715
4	0830 0100 180	O-RING	2	2				φ18		
5	F144 0106 045	BOLT,w/washer	3	3				M6X45		
6	F144 0106 035	BOLT,w/washer	4	3				M6X35		
7	67475-00400	CLAMP,pipe	1	1						
8	67575-00600	CUSHION	1	1						
9	67375-01301	CUSHION	1	1						
10	A052 0110 025	BOLT	1	1				M10X25		
11	F303 0110 001	NUT,flange	1	1				M10		
12	1021 2513 OC0	PIPE B,suction	1	1						
13	68275-02800	HOSE B	1	1						
14	0050 1100 360	CLAMP	2	2						
15	1174 2516 000	FILTER,oil	1	1						
16	0830 0100 420	O-RING	1	1				φ42		
17	68475-10900	PLUG,filter	1	1						
18	F154 0108 050	BOLT,w/washer	3	3				M8X50		
19	0830 0100 250	O-RING	1	1				φ25		
20	1981 2453 000	BOLT,eye	1	1				210D 50162~ 210 10126~ 250D 50312~ 250 50146~		
	67775-01500	BOLT,union	1	1			D			
21	0833 0001 600	WASHER,seal	2	2				210D 50162~ 210 10126~ 250D 50312~ 250 50146~		

FIG.709 HYDRAULIC LINE (P/S) (1/2)



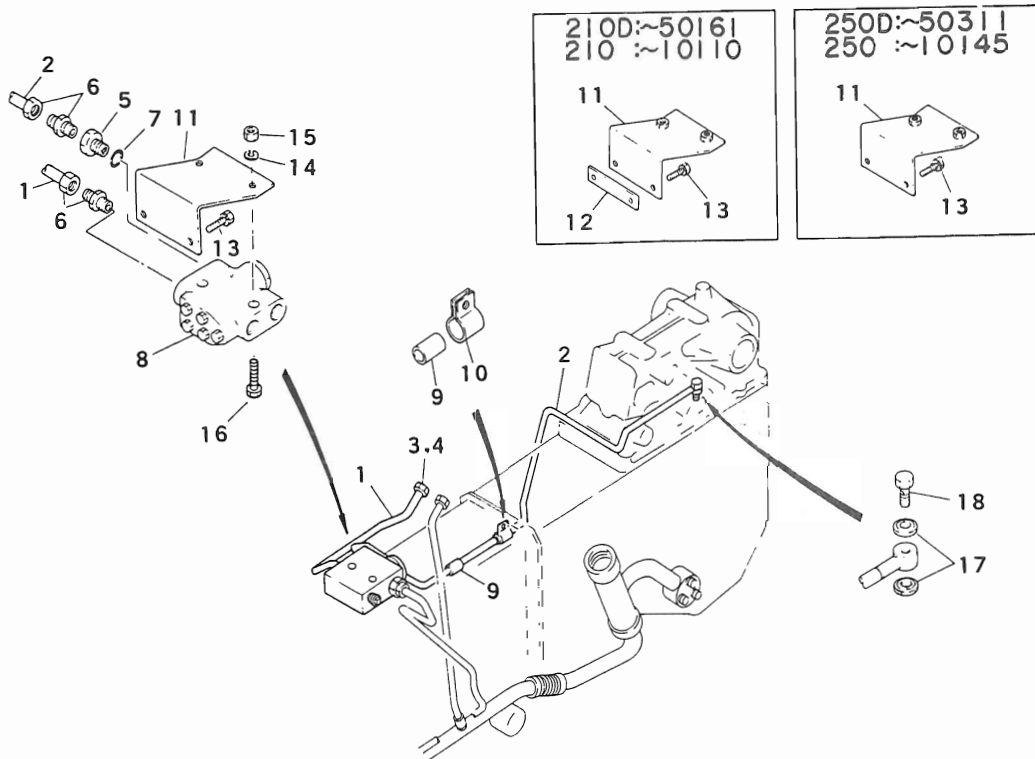
Key No	Parts No	Parts Name	Q'ty				F/P	Application	Description	Remarks
			21PS	25PS						
1	1984 2527 0C0	PIPE A	1	•				210D 50162~ 210 10111~		
2	1983 2521 0C1	PIPE A	1	•			D			
	1984 2519 0C1	PIPE	1	•				210D 50162~ 210 10111~		
1a	1984 2519 0C0	PIPE	1	•			D			
	1984 2514 0C2	PIPE A	•	1				250D.50312~ 250 10146~		
2a	1984 2514 0C0	PIPE A	•	1			D			
	1984 2515 0C2	PIPE A	•	1				250D 50312~ 250 10146~		
3	1984 2515 0C1	PIPE A	•	1			D			
	1983 2561 000	PUMP,hydraulic	1	1				210D 50162~ 210 10111~ 250D 50312~ 250 10146~		
	1996 2353 000	PUMP,hydraulic	1	1			D		See Fig 715	
4	F144 0106 045	BOLT,w/washer	3	3				M6X45		
5	0830 0100 180	O-RING	2	2				φ18		
6	F144 0106 035	BOLT,w/washer	4	3				M6X35		
7	1174 2516 000	FILTER,oil	1	1						
8	0830 0100 420	O-RING	1	1				φ42		
9	68475-10900	PLUG,filter	1	1						
10	68275-02800	HOSE B	1	1						
11	0050 1100 360	CLAMP	2	2						
12	1180 2362 121	SLEEVE	1	1						
13	1135 2474 000	PIPE	•	1						
14	67475-00400	CLAMP,pipe	1	1						
15	67575-00600	CUSHION	1	1						
16	67375-01301	CUSHION	1	1						
17	A052 0110 025	BOLT	1	1				M10X25		
18	F303 0110 001	NUT,flange	1	1				M10		
19	1021 2513 0C0	PIPE B,suction	1	1						
20	F154 0108 050	BOLT,w/washer	3	3				M8X50		
21	0830 0100 250	O-RING	1	1				φ25		

FIG.709 HYDRAULIC LINE (P/S) (1/2)



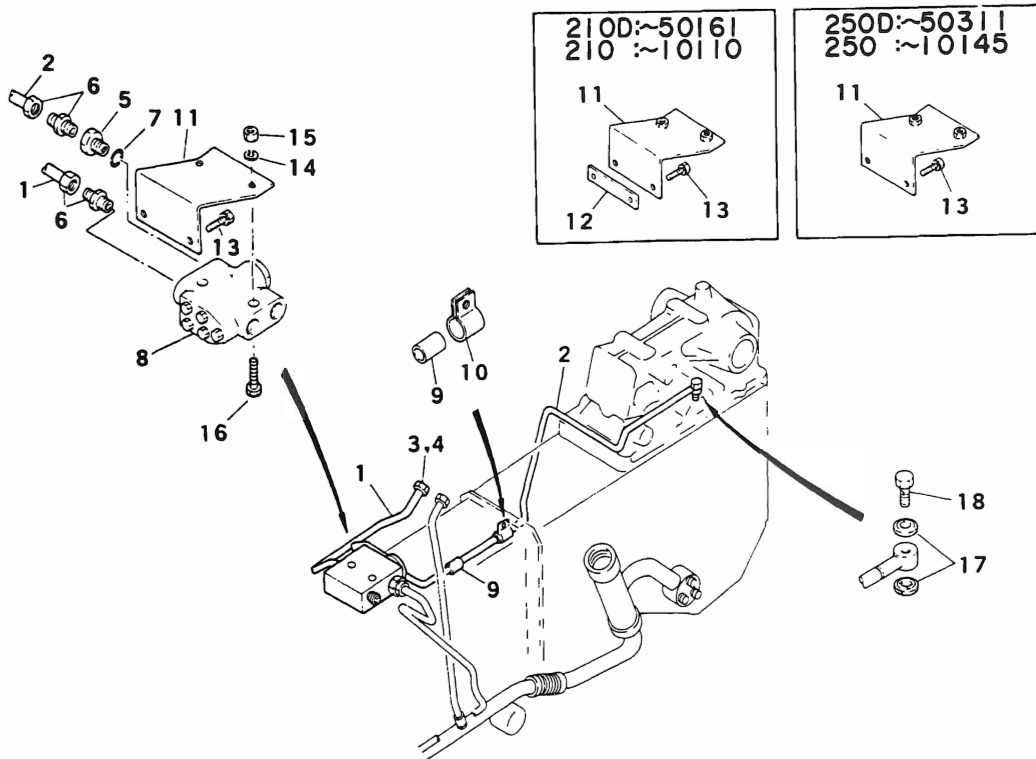
Key No	Parts No	Parts Name	Q'ty				P	Application	Description	Remarks
			21PS	25PS						
22	A301 0108 001	NUT	4	4					M8	
23	A360 0100 802	WASHER, spring	4	4					M8	
24	1984 2516 0C2	PIPE, return	1	1				210D:50162~ 210 10111~ 250D:50312~ 250 10146~		
24a	1984 2516 0C1	PIPE, return	1	1			D			
25	1021 2529 001	HOSE	1	1				210D:50162~ 210 10111~ 250D 50312~ 250 10146~		
26	1021 2529 001	HOSE	2	2			D			
	0050 1100 200	CLAMP	2	2				210D:50162~ 210 10111~ 250D 50312~ 250 10146~		
27	0050 1100 200	CLAMP	4	4			D			
	1180 2362 131	NUT	1	1						
28	1983 2532 0C0	PIPE, drain	1	1				210D ~50161 210 ~10110 250D ~50311 250 ~10145		Deleted
29	A600 0201 000	PLUG	1	1				210D:50162~ 210 10111~ 250D 50312~ 250 10146~		Added
30	1995 2382 000	JOINT	1	1				210D:50162~ 210 10111~ 250D:50312~ 250 10146~		
31	1995 2382 000	JOINT	2	2			D			
	68275-60502	NUT, union	1	1						
32	0830 0100 240	O-RING	1	1						φ25

FIG.710 HYDRAULIC LINE (P/S) (2/2)



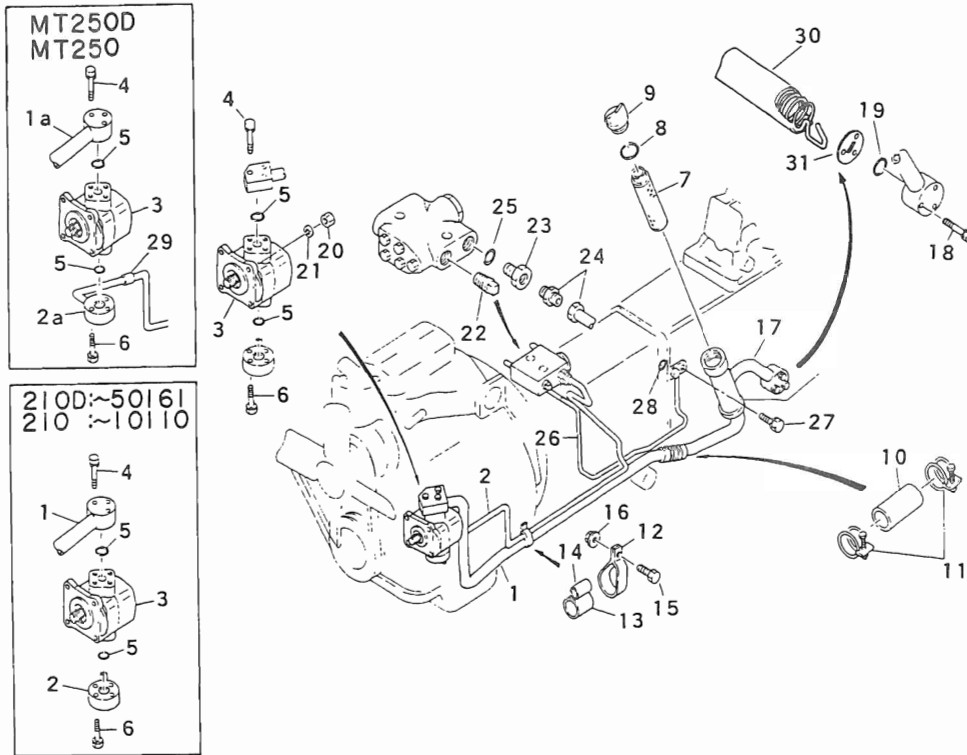
Key No	Parts No	Parts Name	Q'ty				P	Application	Description	Remarks
			21PS	25PS						
1	1984 2518 0C1	PIPE D	1	1				210D 50162~ 210 10111~ 250D 50312~ 250 10146~		
	1984 2518 0C0	PIPE D	1	1			D			
2	1984 2517 0C0	PIPE B	1	1						
3	1180 2362 131	NUT	1	1						
4	1180 2362 121	SLEEVE	1	1						
5	68275-60502	NUT,union	1	1						
6	1995 2382 000	JOINT	2	2						
7	0830 0100 240	O-RING	1	1				φ24		
8	1021 2521 0C0	FLOW DIVIDER	1	1						See Fig 716
9	1135 2474 000	PIPE	2	2						
10	68275-02900	CLAMP	1	1						
11	1984 2522 0C1	BRACKET	1	1				210D 50162~ 210 50312~ 250D 50312~ 250 10146~		
	1984 2522 0C0	BRACKET	1	1			D			
12	1021 2523 0C0	PLATE	1	•				210D ~50161 210 ~10110		Deleted
13	F154 0108 016	BOLT,w/washer	2	2				M8X16		Added
14	A360 0100 602	WASHER,spring	2	2				M6 M6 M6 M6		Added
15	A300 0106 001	NUT	2	2				210D 50162~ 210 10111~ 250D 50312~ 250 10146~		Added
								M6 M6 M6 M6		
16	A044 0106 055 ○	BOLT BOLT,w/washer	2 2	2 2			A	M6X55		F144 0106 055

FIG. 710 HYDRAULIC LINE (P/S) (2/2)



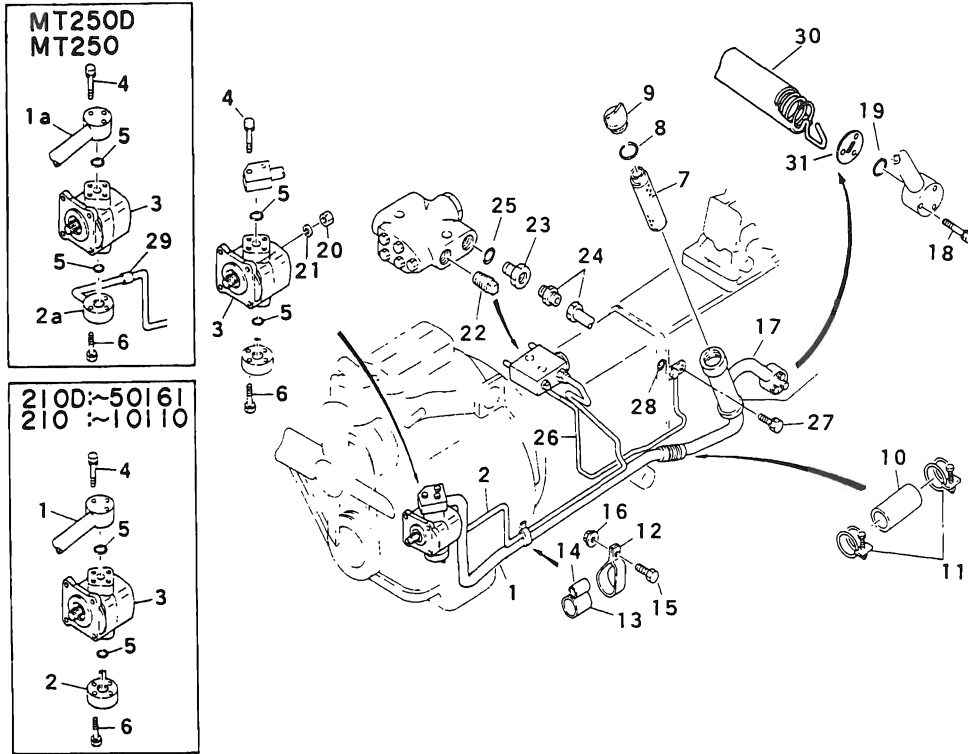
Key No	Parts No	Parts Name	Q'ty				P	Application	Description	Remarks
			21PS	25PS						
17	0833 0001 600	WASHER,seal	2	2				210D:50162~ 210 ·10111~ 250D:50312~ 250 ·10146~		
18	1021 1791 000	WASHER,seal	2	2			D			
	1981 2453 000	BOLT,eye	1	1				210D 50162~ 210 ·10111~ 250D:50312~ 250 10146~		
	67775-01500	BOLT,union	1	1			D			

FIG.711 HYDRAULIC LINE (LIVE P.T.O) (1/2)



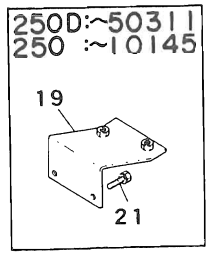
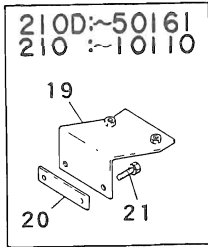
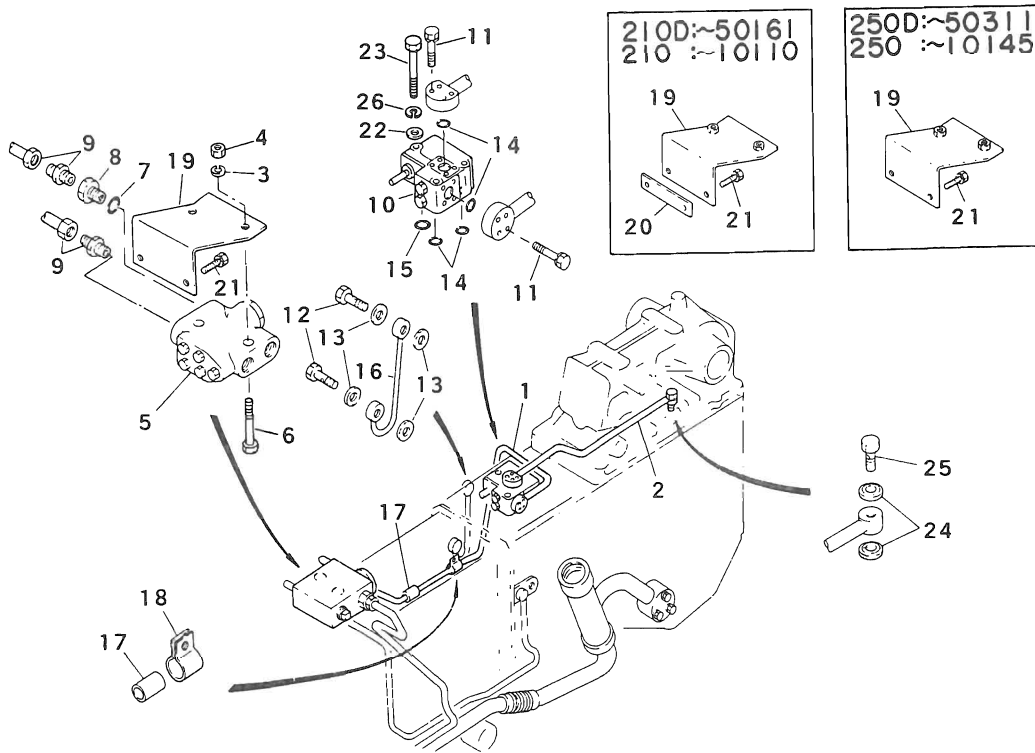
Key No	Parts No	Parts Name	Q'ty				F/P	Application	Description	Remarks
			21PS	25PS						
1	1984 2526 0C0	PIPE A,suction	1	•				210D 50162~ 210 10111~		
	1983 2541 0C0	PIPE A,suction	1	•			D			
2	1984 2519 0C1	PIPE	1	•				210D 50162~ 210 10111~		
	1984 2519 0C0	PIPE	1	•			D			
1a	1984 2511 0C0	PIPE,suction	•	1						
2a	1984 2515 0C2	PIPE A	•	1				250D 50312~ 250 10146~		
	1984 2515 0C1	PIPE A	•	1			D			
3	1983 2561 000	HYDRAULIC PUMP	1	1				210D 50162~ 210 10111~ 250D 50312~ 250 10146~	See Fig 715	
	1996 2353 000	HYDRAULIC PUMP	1	1			D			
4	F144 0106 045	BOLT,w/washer	3	3				M6X45		
5	0830 0100 180	O-RING	2	2				φ18		
6	F144 0106 035	BOLT,w/washer	4	3				M6X35		
7	1174 2516 000	FILTER,oil	1	1						
8	0830 0100 420	O-RING	1	1				φ42		
9	68475-10900	PLUG,filter	1	1						
10	68275-02800	HOSE	1	1						
11	0050 1100 360	CLAMP	2	2						
12	67475-00400	CLAMP,pipe	1	1						
13	67575-00600	CUSHION	1	1						
14	67375-01301	CUSHION	1	1						
15	A052 0110 025	BOLT	1	1				M10X25		
16	F303 0110 001	NUT,flange	1	1				M10		
17	1021 2513 0C0	PIPE B,suction	1	1						
18	F154 0108 050	BOLT,w/washer	3	3				M8X50		
19	0830 0100 250	O-RING	1	1				φ25		
20	A301 0108 001	NUT	4	4				M8		
21	A360 0100 802	WASHER,spring	4	4				M8		
22	A600 0201 000	PLUG	1	1						
23	68275-60502	NUT,union	1	1						

FIG.711 HYDRAULIC LINE (LIVE P.T.O) (1/2)



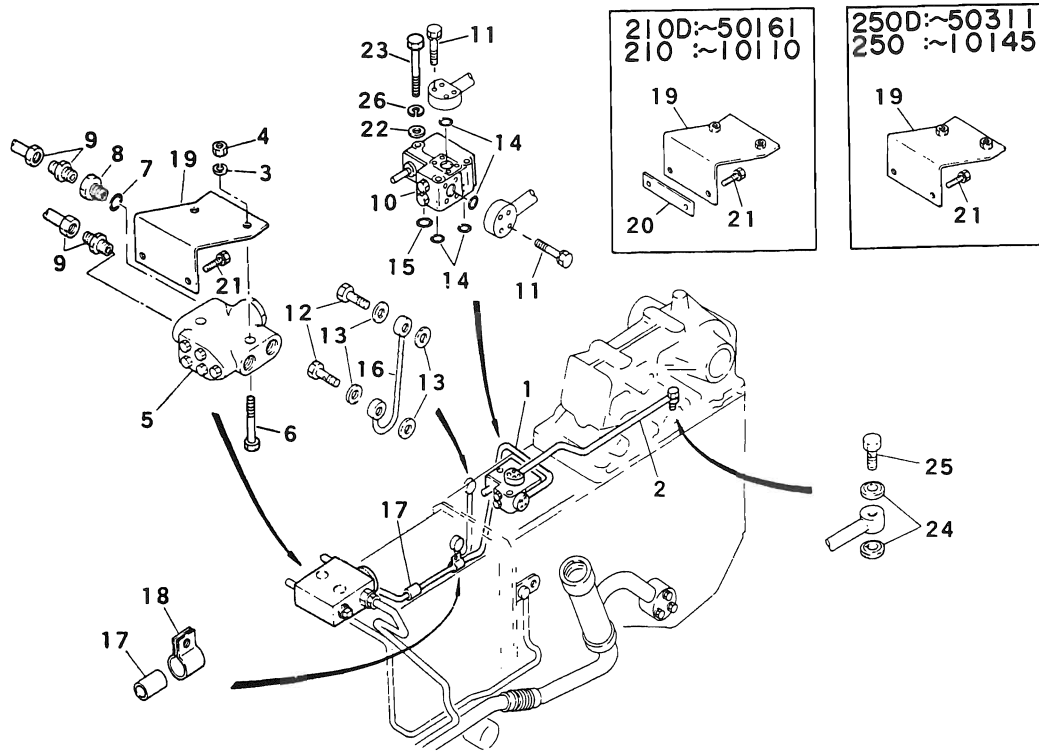
Key No	Parts No	Parts Name	Q'ty				P/P	Application	Description	Remarks
			21PS	25PS						
24	1995 2382 000	JOINT	1	1						
25	0830 0100 240	O-RING	1	1				φ24		
26	1984 2521 OC1	PIPE	1	1				210D:50162~ 210 10111~ 250D.50312~ 250 10146~		
	1984 2521 OC0	PIPE	1	1			D			
27	F154 0108 016	BOLT,w/washer	1	1				M8X16		
28	0830 0100 070	O-RING	1	1				φ7		
29	1135 2474 000	PIPE	•	1						
30	1983 2567 000	ADPTER,spring	1	1						
31	1983 2569 000	PLATE	1	1						

FIG.712 HYDRAULIC LINE (LIVE P.T.O) (2/2)



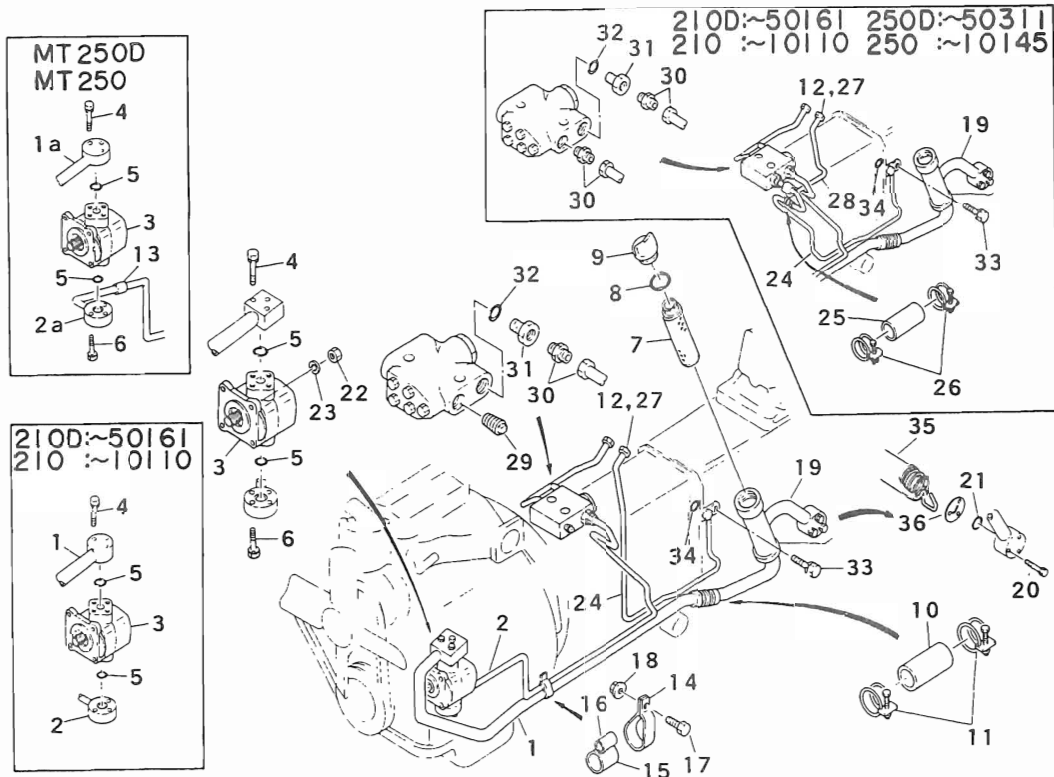
Key No	Parts No	Parts Name	Q'ty				R/P	Application	Description	Remarks
			21PS	25PS						
1	1984 2523 0C0	PIPE,pressure	1	1						
2	1983 2544 0C0	PIPE C	1	1						
3	A360 0100 602	WASHER,spring	2	2				M6		
4	A300 0106 001	NUT	2	2				M6		
5	1021 2521 0C0	FLOW DIVIDER	1	1					See Fig 716	
6	A044 0106 055	BOLT	2	2				M6X55		
	○	BOLT,w/washer	2	2			A	M6X55	F144 0106 055	
7	0830 0100 240	O-RING	1	1				φ24		
8	68275-60502	NUT,union	1	1						
9	1995 2382 000	JOINT	2	2						
10	1983 2518 0C1	DIVIDER	1	1					See Fig 717	
11	F144 0106 030	BOLT,w/washer	8	8				M6X30		
12	F4610-10000	BOLT,eye	2	2						
13	F4202-10000	WASHER,seal	4	4						
14	0830 0100 140	O-RING	4	4				φ14		
15	0830 0100 200	O-RING	1	1				φ20		
16	1983 2542 0C0	PIPE,joint	1	1						
17	1135 2474 000	PIPE	2	2						
18	68275-02900	CLAMP	1	1						
19	1984 2522 0C1	BRACKET	1	1				210D 50162 ~ 210 10111 ~ 250D 50312 ~ 250 10146 ~		
	1984 2522 0C0	BRACKET	1	1			D			
20	1021 2523 000	PLATE	1	•				210D ~50161 210 ~10110	Deleted	
21	F154 0108 016	BOLT,w/washer	2	2				M8X16		
22	0350 0130 815	WASHER	3	3				M8		
23	A050 0108 060	BOLT	3	3				M8X60		
	○	BOLT	3	3			A	M8X60	F154 0108 060	
24	0833 0001 600	WASHER,seal	2	2				210D 50162 ~ 210 10111 ~ 250D 50312 ~ 250 10146 ~		
	1021 1791 000	WASHER,seal	2	2			D			

FIG.712 HYDRAULIC LINE (LIVE P.T.O) (2/2)



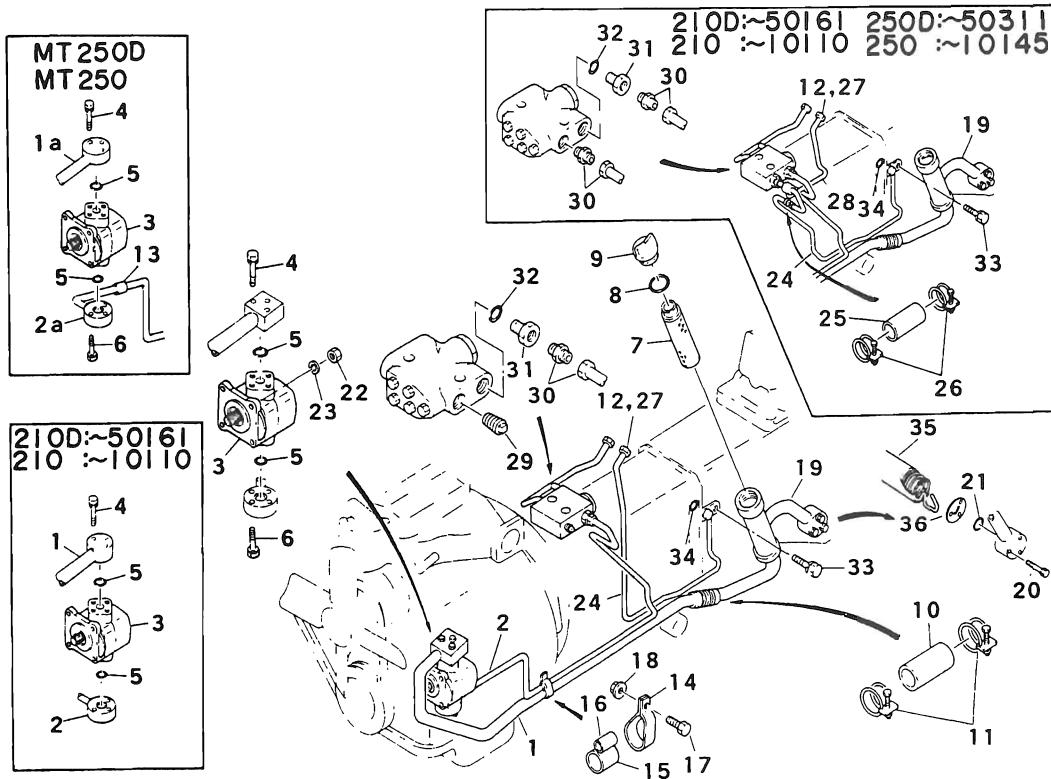
Key No	Parts No	Parts Name	Q'ty				F/P	Application	Description	Remarks
			21PS	25PS						
25	1981 2453 000	BOLT,eye	1	1				210D.50162~ 210 10111~ 250D:50312~ 250 10146~		
26	67775-01500 A360 0100 802	BOLT,union WASHER,spring	1 3	1 3			D		M8	

FIG. 713 HYDRAULIC LINE (P/S & LIVE P.T.O) (1/2)



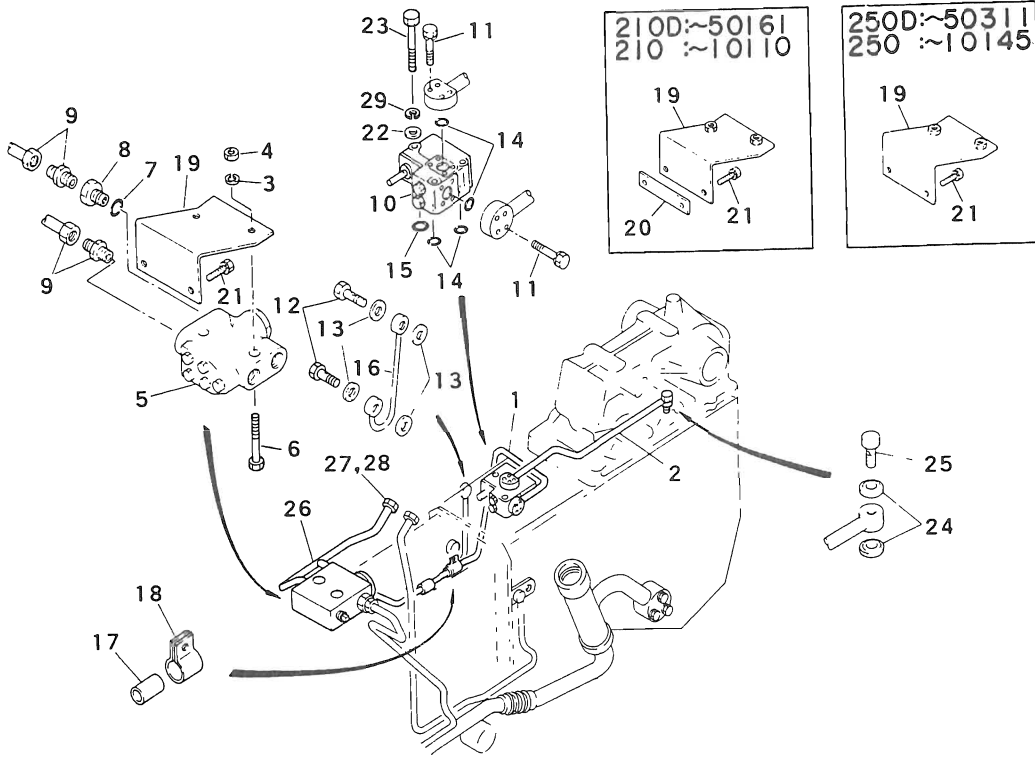
Key No	Parts No	Parts Name	Q' t y				P	Application	Description	Remarks
			21PS	25PS						
1	1984 2526 0C0	PIPE A,suction	1	•				210D 50162~ 210 10111~		
	1983 2541 0C0	PIPE A,suction	1	•			D			
2	1984 2519 0C1	PIPE	1	•				210D 50162~ 210 10111~		
	1984 2519 0C0	PIPE	1	•			D			
1a	1984 2511 0C0	PIPE,suction	•	1						
2a	1984 2515 0C2	PIPE A	•	1				250D 50312~ 250 10146~		
	1984 2515 0C1	PIPE A	•	1			D			
3	1983 2561 000	PUMP,hydraulic	1	1				210D 50162~ 210 10111~ 250D 50312~ 250 10146~		See Fig 716
	1996 2353 000	PUMP,hydraulic	1	1			D			
4	F144 0106 045	BOLT,w/washer	3	3					M6X45	
5	O830 0100 180	O-RING	2	2					φ18	
6	F144 0106 035	BOLT,w/washer	4	3					M6X35	
7	1174 2516 000	FILTER,oil	1	1						
8	O830 0100 420	O-RING	1	1					φ42	
9	68475-10900	PLUG,filter	1	1						
10	68275-02800	HOSE	1	1						
11	O050 1100 360	CLAMP	2	2						
12	1180 2362 121	SLEEVE	1	1						
13	1135 2474 000	PIPE	•	1						
14	67475-00400	CLAMP,pipe	1	1						
15	67575-00600	CUSHION	1	1						
16	67375-01301	CUSHION	1	1						
17	A052 0110 025	BOLT	1	1					M10X25	
18	F303 0110 001	NUT,flange	1	1					M10	
19	1021 2513 0C0	PIPE B,suction	1	1						
20	F154 0108 050	BOLT,w/washer	3	3					M8X50	
21	O830 0100 250	O-RING	1	1					φ25	
22	A301 0108 001	NUT	4	4					M8	
23	A360 0100 802	WASHER,spring	4	4					M8	

FIG.713 HYDRAULIC LINE (P/S & LIVE P.T.O) (1/2)



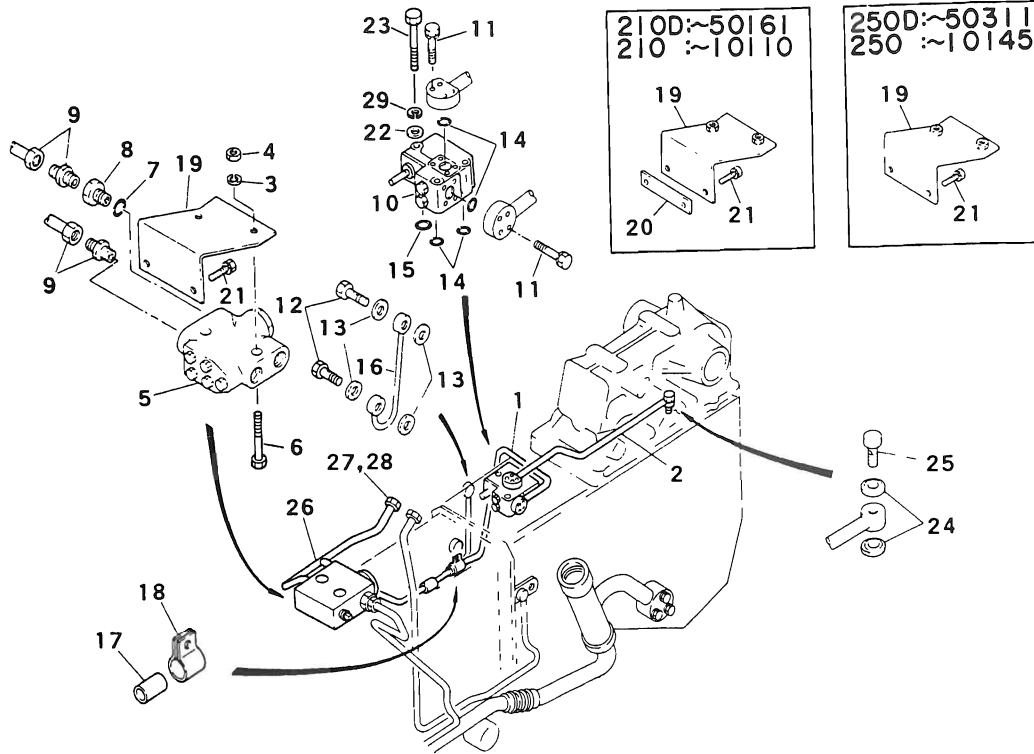
Key No	Parts No	Parts Name	Q'ty				F/P	Application	Description	Remarks
			21PS	25PS						
24	1984 2524 0C1	PIPE,drain	1	1				210D:50162~ 210 10111~ 250D.50312~ 250 10146~		
	1983 2546 0C0	PIPE,drain	1	1			D			
25	1021 2529 001	HOSE	1	1				210D ~50161 210 ~10110 250D ~50311 250 ~10145	Deleted	
26	0050 1100 200	CLAMP	2	2				210D ~50161 210 ~10110 250D~50311 250 ~10145	Deleted	
27	1180 2362 131	NUT	1	1						
28	1983 2532 0C0	PIPE,drain	1	1				210D ~50161 210 ~10110 250D ~50311 250 ~10145	Deleted	
29	A600 0201 000	PLUG	1	1				210D 50162~ 210 10111~ 250D~50312~ 250 10146~	Added	
30	1995 2382 000	JOINT	1	1				210D 50162~ 210 10111~ 250D 50312~ 250 10146~		
	1995 2382 000	JOINT	2	2			D			
31	68275-60502	NUT,union	1	1						
32	0830 0100 240	O-RING	1	1					φ24	
33	F154 0108 016	BOLT,w/washer	1	1					M8X16	
34	0830 0100 070	O-RING	1	1					φ7	
35	1983 2567 000	ADPTER,spring	1	1						
36	1983 2569 000	PLATE	1	1						

FIG.714 HYDRAULIC LINE (P/S & LIVE P.T.O) (2/2)



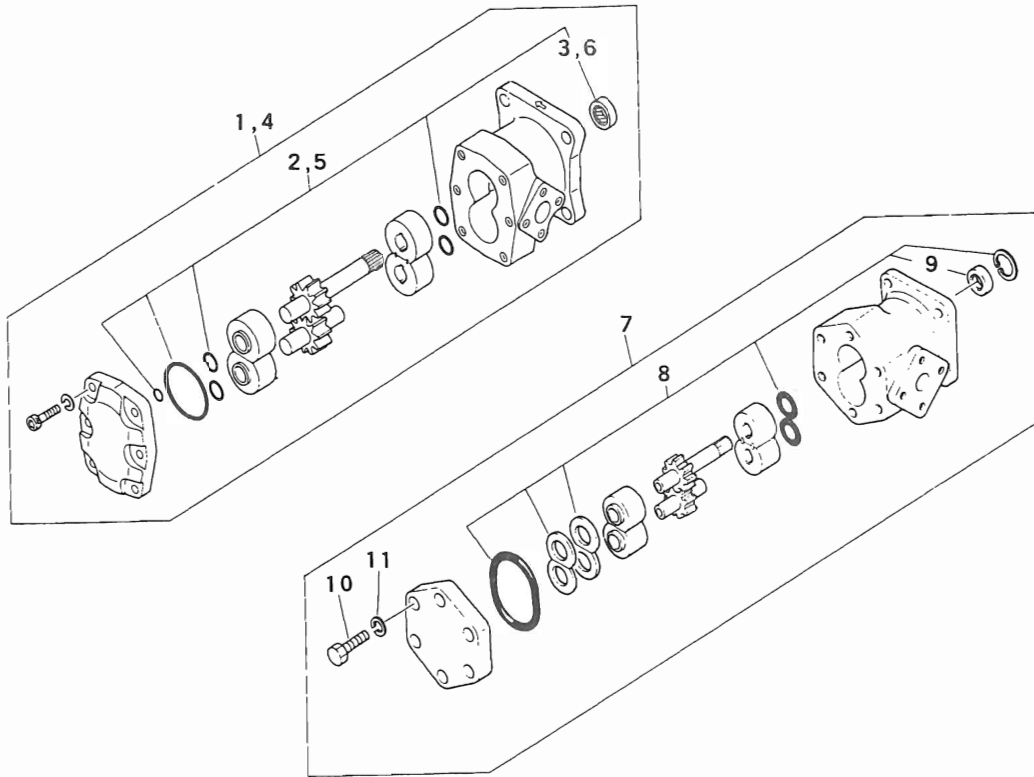
Key No	Parts No	Parts Name	Q'ty				P	Application	Description	Remarks
			4WD	2WD						
1	1984 2523 0C0	PIPE,pressure	1	1						
2	1983 2544 0C0	PIPE C	1	1						
3	A360 0100 602	WASHER,spring	2	2				M6		
4	A300 0106 001	NUT	2	2				M6		
5	1021 2521 0C0	FLOW DIVIDER	1	1					See Fig 716	
6	A044 0106 055	BOLT	2	2				M6X55		
	○	BOLT,w/washer	2	2			A	M6X55	F144 0106 055	
7	0830 0100 240	O-RING	1	1				φ24		
8	68275-60502	NUT,union	1	1						
9	1995 2382 000	JOINT	2	2						
10	1983 2518 0C1	DIVIDER	1	1					See Fig 717	
11	F144 0106 030	BOLT,w/washer	8	8				M6X30		
12	F4610-10000	BOLT,eye	2	2						
13	F4202-10000	WASHER,seal	4	4						
14	0830 0100 140	O-RING	4	4				φ14		
15	0830 0100 200	O-RING	1	1				φ20		
16	1983 2542 0C0	PIPE,joint	1	1						
17	1135 2474 000	PIPE	2	2						
18	68275-02900	CLAMP	1	1						
19	1984 2522 0C1	BRACKET	1	1				210D 50162~ 210 10111~ 250D 50312~ 250 10146~		
	1984 2522 0C0	BRACKET	1	1			D			
20	1021 2523 0C0	PLATE	1	•				210D ~50161 210 ~10110	Deleted	
21	F154 0108 016	BOLT,w/washer	2	2				M8X16		
22	0350 0130 815	WASHER	3	3				M8		
23	A050 0108 060	BOLT	3	3				M8X60		
	○	BOLT,w/washer	3	3			A	M8X60	F154 0108 060	
24	0833 0001 600	WASHER,seal	2	2				210D 50162~ 210 10111~ 250D 50312~ 250 10146~		
	1021 1791 000	WASHER,seal	2	2			D			

FIG.714 HYDRAULIC LINE (P/S & LIVE P.T.O) (2/2)



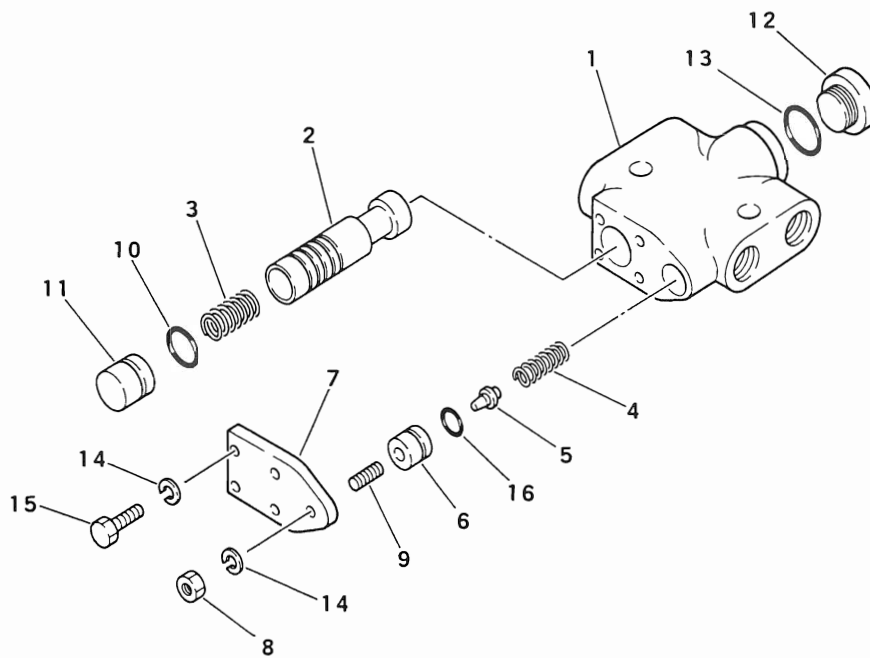
Key No	Parts No	Parts Name	Q'ty				P	Application	Description	Remarks
			4WD	2WD						
25	1981 2453 000	BOLT,eye	1	1				210D·50162~ 210 10111~ 250D·50312~ 250 ·10146~		
	67775-01500	BOLT,union	1	1			D			
26	1984 2518 0C1	PIPE D	1	1						
27	1180 2362 121	SLEEVE	1	1						
28	1180 2362 131	NUT	1	1						
29	A360 0100 802	WASHER,spring	3	3					M8	
...								
...								
...								
...								

FIG.715 HYDRAULIC PUMP



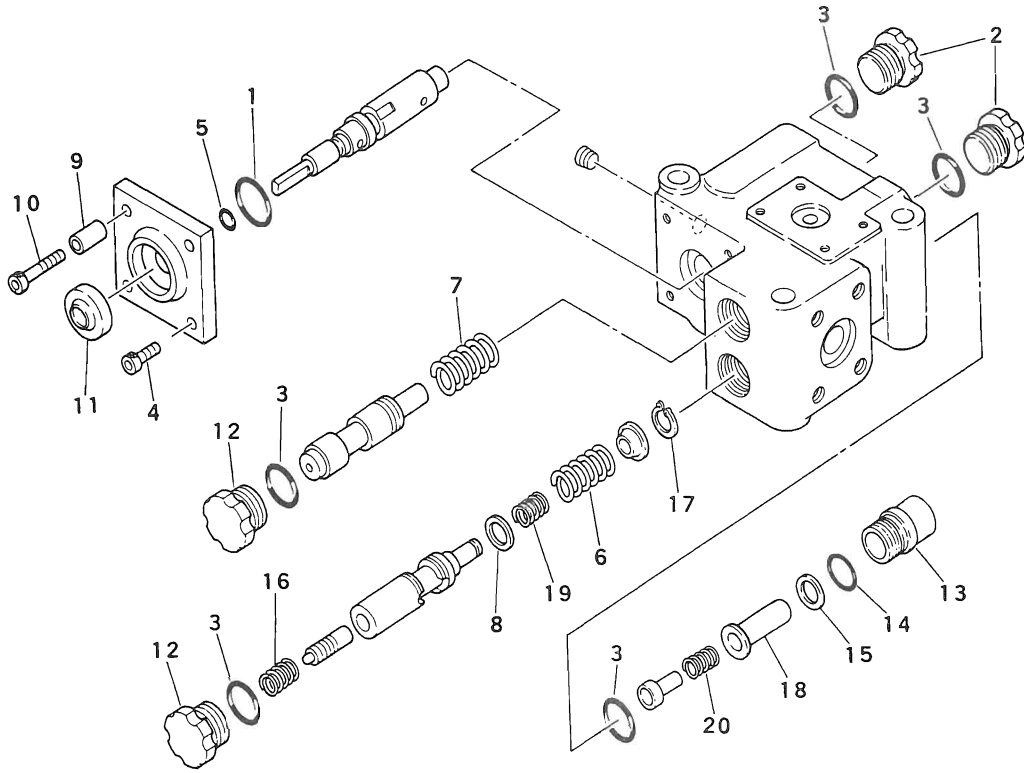
Key No	Parts No	Parts Name	Q' t y				P	Application	Description	Remarks
			4WD	2WD						
1	1021 2511 000	HYDRAULIC PUMP	1	1						
2,3	1974 2454 000	REPAIR KIT	1	1						
3	1974 2451 600	SEAL,oil	1	1						
4	1983 2561 000	HYDRAULIC PUMP	1	1			2100 50162~ 210 10111~ 2500 50312~ 250 10146~			
5,6	1974 2454 000	REPAIR KIT	1	1					P/S & Live P T O	
6	1974 2451 600	SEAL,oil	1	1					P/S & Live P T O	
7	1996 2353 000	HYDRAULIC PUMP	1	1			2100 ~50161 210 ~10110 2500 ~50311 250 ~10145		P/S & Live P T O	
8,9	1996 2353 180	REPAIR KIT	1	1					P/S & Live P T O	
9	1996 2353 170	SEAL,oil	1	1					P/S & Live P T O	
10	F1030-08025	BOLT	6	6				M8X25	P/S & Live P T O	
11	A360 0100 802	WASHER,spring	6	6				M8		

FIG.716 FLOW DIVIDER (P/S LIVE P.T.O)



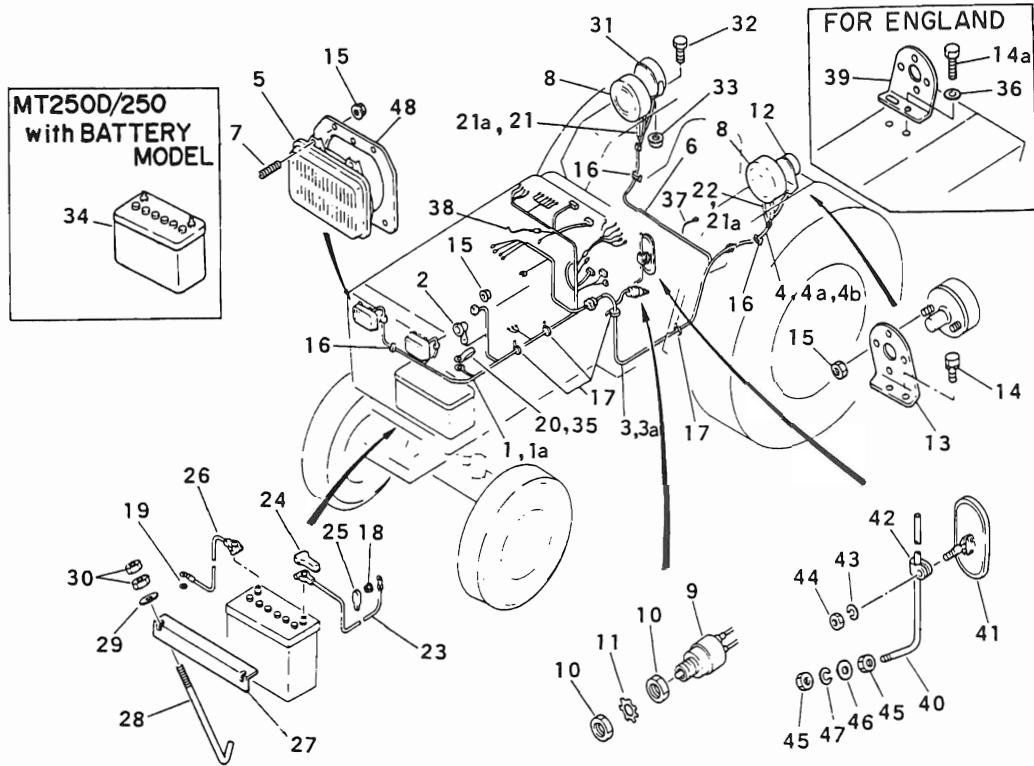
Key No	Parts No	Parts Name	Q'ty				P	Application	Description	Remarks
			4WD	2WD						
1~16	1021 2521 0C0	FLOW DIVIDER	1	1						
1	*	BODY	1	1						
2	*	PLUNGER	1	1						
3	1915 6106 000	SPRING	1	1						
4	1021 2521 110	SPRING	1	1						
5	1995 2379 140	POPPET	1	1						
6	1021 2521 120	HOUSING	1	1						
7	1021 2521 130	PLATE	1	1						
8	A301 0108 003	NUT	1	1				M8		
9	1021 2521 140	SCREW,set	1	1						
10	0830 0100 180	O-RING	1	1				φ18		
11	1021 2521 150	PLUG	1	1						
12	1995 2379 190	PLUG	1	1						
13	0830 1100 240	O-RING	1	1				φ24		
14	A360 0100 802	WASHER,spring	5	5				M8		
15	A030 0108 020	BOLT	4	4				M8X20		
16	0830 0100 120	O-RING	1	16				φ12		

FIG.717 DIVIDER (P/S LIVE P.T.O)



Key No	Parts No	Parts Name	Q' t y				F/P	Application	Description	Remarks
			4WD	2WD						
1-20	1983 2518 001	DIVIDER	1	1						
1	1983 2518 130	O-RING	1	1						
2	1983 2518 150	PLUG	2	2						
3	0830 1100 120	O-RING	2	2				φ12		
4	1983 2518 170	BOLT	2	2						
5	0830 1100 060	O-RING	1	1				φ6		
6	1983 2518 240	SPRING	1	1						
7	1983 2518 250	SPRING	1	1						
8	1983 2518 260	SHIM	1	1						
9	1983 2518 280	COLLAR	2	2						
10	1983 2518 290	BOLT	2	2						
11	1983 2518 310	SEAL,dast	1	1						
12	1983 2518 320	PLUG	1	1						
13	1983 2518 330	PLUG	1	1						
14	0830 1100 140	O-RING	1	1				φ14		
15	1983 2518 350	SEAL	1	1						
16	1983 2518 360	SPRING	1	1						
17	1983 2518 380	RING,snap	1	1						
18	1983 2518 390	ROD,push	1	1						
19	1983 2518 410	SPRING	1	1						
20	1983 2518 420	SPRING	1	1						

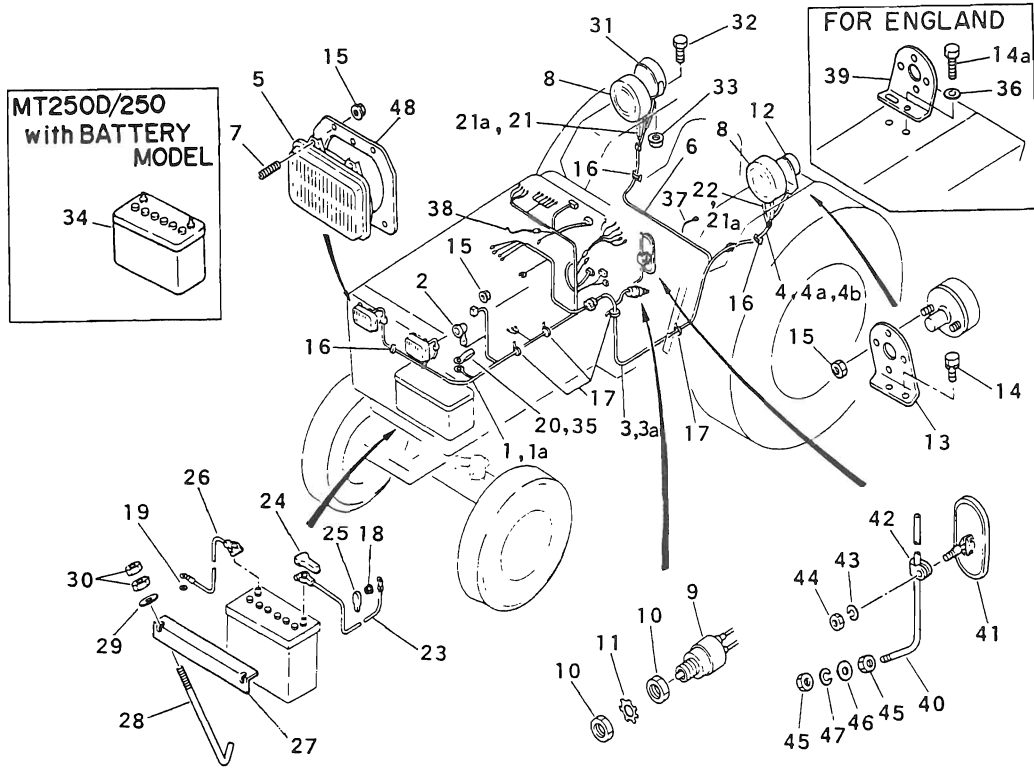
FIG.801 ELECTRICAL WIRING



Key No	Parts No	Parts Name	Q'ty				F/P	Application	Description	Remarks
			4WD	2WD						
1, 2	1984 2911 001	HARNESS A	1	1						
1a, 2	1984 2928 001	HARNESS A	1	1					For Central Europe	
2	1915 2873 000	CAP,terminal	1	1						
3	1984 2912 000	HARNESS B	1	1						
3a	1984 2954 000	HARNESS B	1	1					For Central Europe	
4	1984 2914 000	HARNESS D	1	1					For England	
4a	1984 2916 000	HARNESS D	1	•					See Fig 802	
4b	1984 2936 001	HARNESS D	1	1					For Central Europe	
5	1019 2840 001	HEAD LAMP	2	2					Exclude Central Europe	
	○	HEAD LAMP	2	2			A		1019 2840 000	
6	1984 2913 000	HARNESS C	1	1						
7	1019 2849 000	SPRING	6	6						
8	1982 2821 000	SIGNAL LAMP	2	2					See Fig 802	
9~11	1142 2881 001	SAFETY SWITCH	1	1					Exclude England Central Europe	
9	1142 2881 111	SWITCH	1	1						
10	1142 2881 120	NUT	2	2				M10		
11	1142 2881 130	WASHER,tooth	1	1						
12	1982 2828 000	TAIL LAMP ASSY	1	1					See Fig 802	
13	1982 2823 OG2	BRACKET,lamp	1	1					Exclude England Central Europe	
14	H154 0108 016	BOLT,w/washer	2	2				M8X16		
14a	A050 0108 012	BOLT	4	4				M8X12	For England	
15	F300 0105 001	NUT,flange	9	9				M5		
	F300 0105 001	NUT,flange	7	7				M5	Exclude England Central Europe	
16	1007 0012 000	STEPL,art	9	9				210D.50012~ 210 10011~ 250D 50182~ 250 10091~ 210D 50012~ 210 10011~ 250D 50182~ 250 10091~		
	1007 0012 000	STEPL,art	8	8			D			

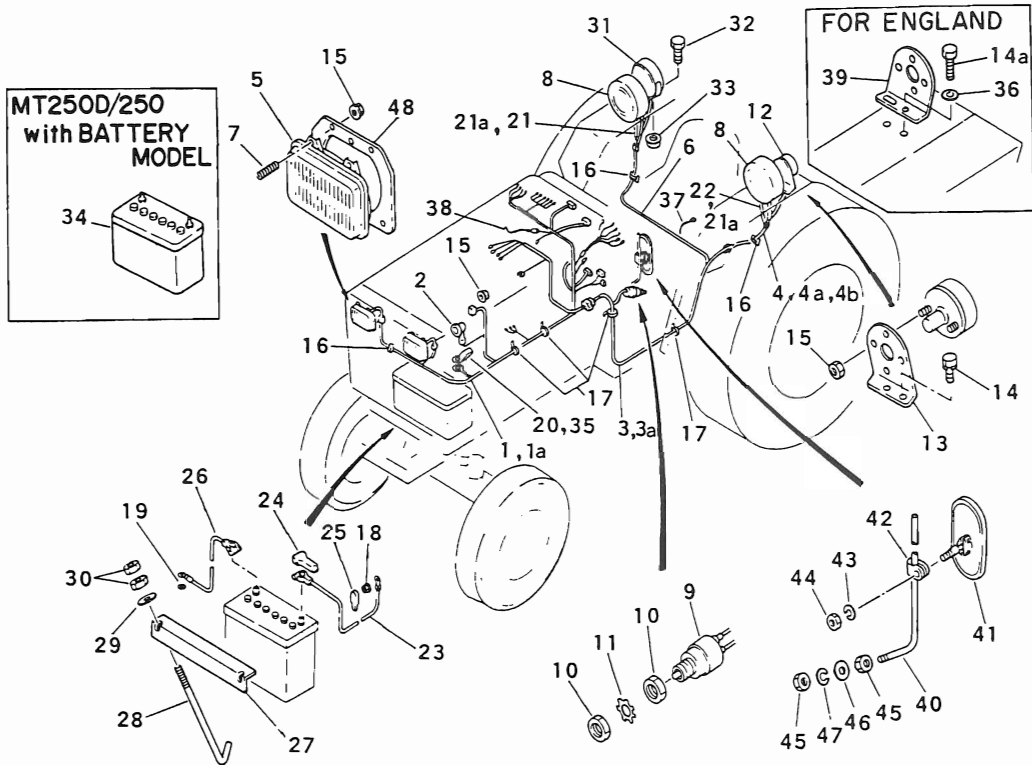
8

FIG.801 ELECTRICAL WIRING



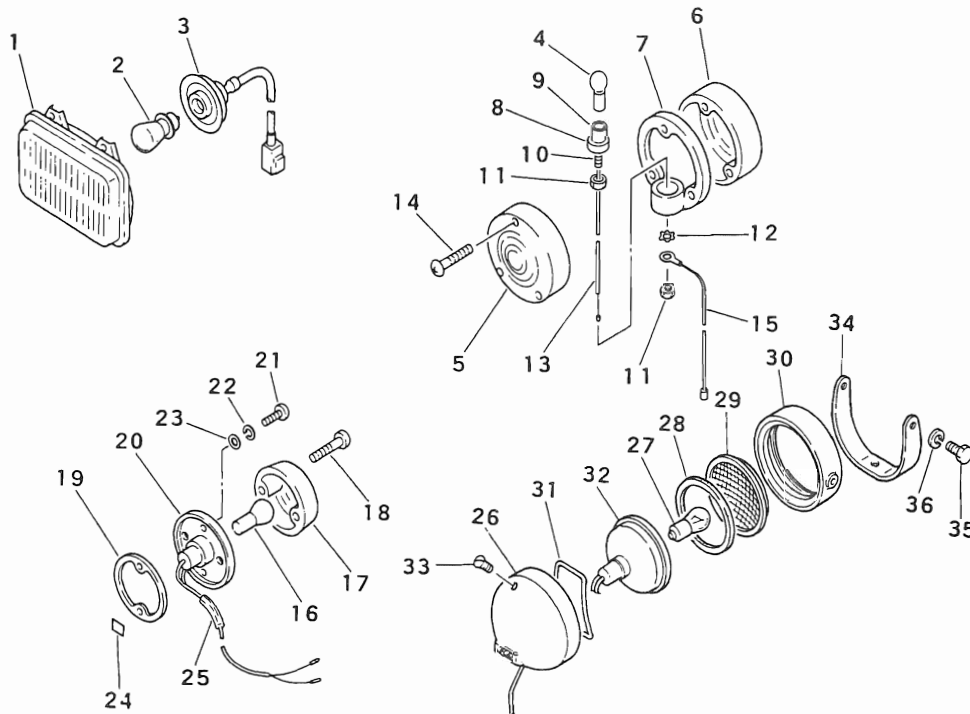
Key No	Parts No	Parts Name	Q'ty				P	Application	Description	Remarks
			4WD	2WD						
17	1007 2858 000	BAND,wire	6	6				210D·50012~ 210 10011~ 250D·50182~ 2150 ·10091~		
	1007 2858 000	BAND,wire	5	5			D			
18	F301 0108 001	NUT,flange	1	1					M8	
19	0370 0108 000	WASHER,tooth	2	2					M8	Exchangeable to the part
20	0050 2108 083	CLAMP	4	4				210D 50162~ 210 10111~ 250D 50312~ 250 10146~		No 1981 2823 000 with set
	○	CLAMP	5	5			B			0050 2108 083
21	1983 2913 001	HARNESS C	1	1						Exclude England Central Europe
21a	1984 2955 000	HARNESS	2	2						For Central Europe
22	1983 2914 001	HARNESS D	1	1						Exclude England Central Europe
23-25	1019 2881 000	CODE ASSY.	1	1						(+) CODE
23	*	CODE	1	1						
24	1135 2804 100	COVER	1	1						
25	1135 2804 200	CAP,terminal	1	1						
26	1970 2805 100	CODE	1	1						(-) CODE
27	69504-062C0	CLAMP,battery	1	1						
28	1982 2884 000	L-BOLT	2	2						Exchangeable to the part
	○	L-BOLT	2	2			A			67404-00901 No 1981 2823 000 with set
29	0350 0130 613	WASHER	2	2				210D 50162~ 210 10111~ 250D 50312~ 250 10146~	M6 M6 M6 M6	
	○	WASHER	3	3			B		M6	0350 0130 613
30	A300 0106 001	NUT	4	4					M6	
31-33	67404-00032	WORKING LAMP	1	1						
31	67404-12202	WORKING LAMP	1	1						See Fig 802

FIG.801 ELECTRICAL WIRING



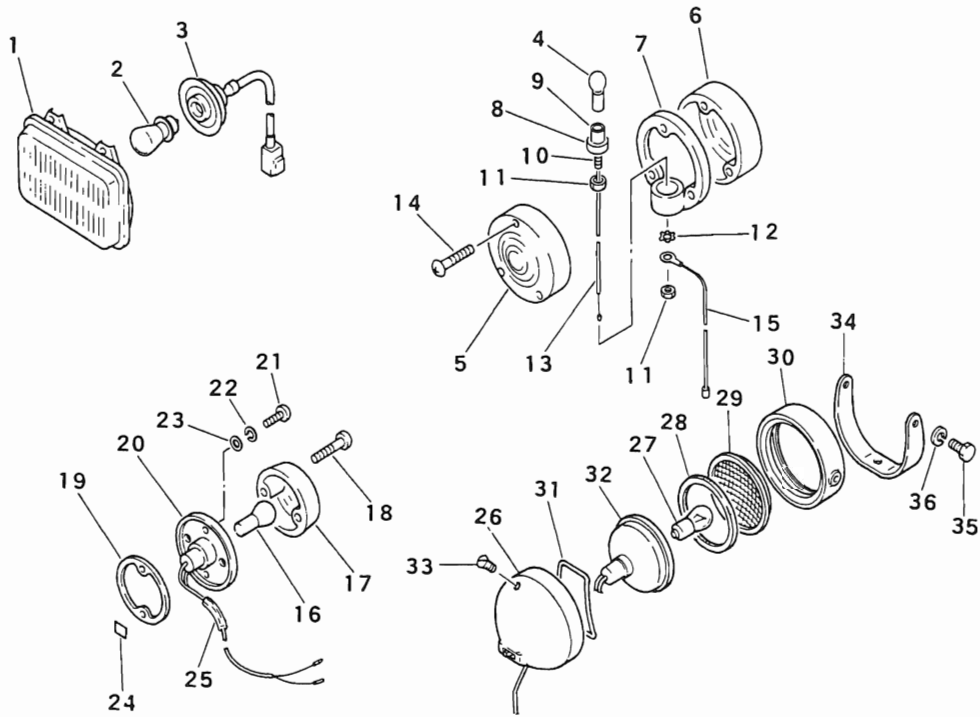
Key No	Parts No	Parts Name	Q'ty				Application	Description	Remarks
			4WD	2WD					
32	A050 0108 020	BOLT	1	1				M8X20	
33	F301 0108 001	NUT,flange	1	1				M8	
34	1994 2913 000	BATTERY	1	1				NS70	MT250D/250 with
35	1981 2823 000	CLAMP	1	1			210D 50162~ 210 10111~ 250D 50312~ 250 10146~	NS70	BATTELYMODEL Added Added
36	0350 0140 818	WASHER	2	•				M8	For England
37	1994 2935 000	HARNESS,earth	1	1					For England Central Europe
38	1021 2918 000	HARNESS F	1	1					
39	1978 2934 0G1	BRACKET,lamp	1	•					For England
40-47	67404-01002	BACK MIRROR	1	•					For England
40	*	STAY	1	1					
41	67404-01020	MIRROR ASSY	1	•					
42	67404-01017	CLAMP	1	•					
43	F2525-08000	WASHER,spring	1	•				M8	
44	F2300-08000	NUT	1	•				M8	
45	F2300-10000	NUT	2	•				M10	
46	F2500-10000	WASHER	1	•				M10	
47	F2515-10000	WASHER,spring	1	•				M10	
48	1994 2915 000	BRACKET	2	2					For Central Europe

FIG.802 ELECTRICAL PARTS



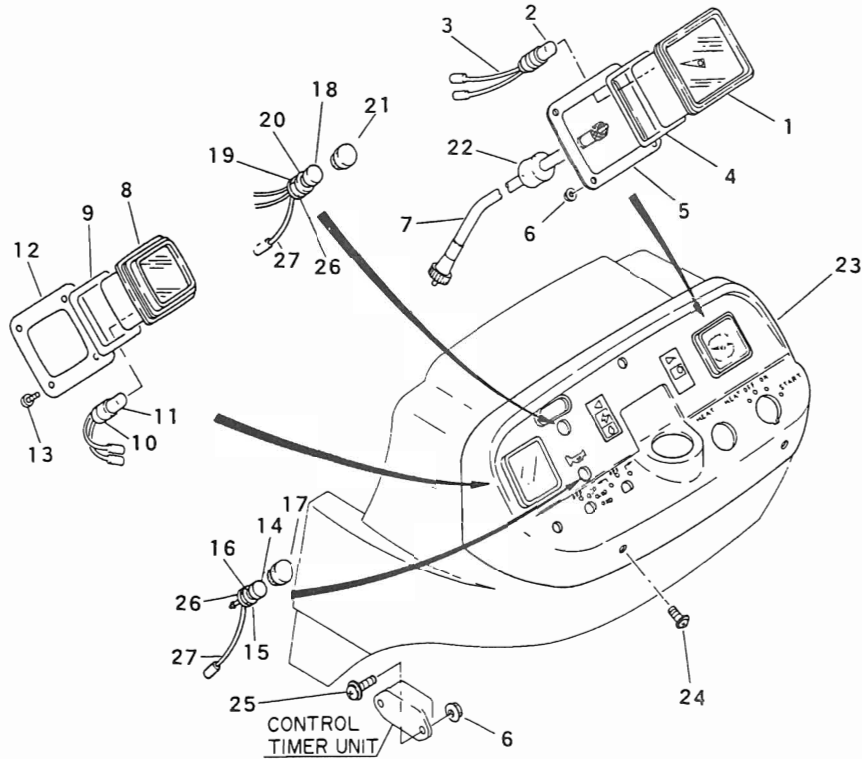
Key No	Parts No	Parts Name	Q'ty				F/P	Application	Description	Remarks
			4WD	2WD						
1-3	1019 2840 001	HEAD LAMP	2	2						
	○	HEAD LAMP	2	2			A		1019 2840 000	
1	1019 2841 000	SEALED BEAM	1	1						
2	67404-01720	BULB	1	1				12V35.35W		
3	1019 2842 002	SOCKET	1	1						
	○	SOCKET	1	1			A		1019 2842 001	
4-15	1982 2821 000	SIGNAL LAMP	2	2						
4	1982 2821 120	BULB	1	1				12V32CP		
5	1982 2821 130	LENS A	1	1						
6	1982 2821 140	LENS B	1	1						
7	1982 2821 110	GASKET,seal	1	1						
8	1982 2821 150	HOUSING	1	1						
9	*	SOCKET	1	1						
10	*	BOLR,special	1	1						
11	A300 0110 003	NUT	2	2				M10		
12	0371 0110 000	WASHER,tooth	1	1				M10		
13	*	CODE C.P.	1	1						
14	*	SCREW,taping	3	3						
15	1982 2821 190	CODE C.P	1	1						
16-25	1982 2828 000	TAIL LAMP ASSY	1	1						
16-24	1982 2822 000	TAIL LAMP	1	1						
16	1982 2822 120	BULB	1	1				12V8W		
17	1982 2822 140	LENS	1	1						
18	A232 0103 030	SCREW	2	2				M3X30		
19	1982 2822 130	GASKET,lens	1	1						
20	1982 2822 110	SOCKET C.P	1	1						
21	*	SCREW	1	1				M5X12		
22	*	WASHER,spring	2	2				M5		
23	*	WASHER	2	2				M5		
24	*	LABEL	1	1						
25	1982 1744 000	TUBE	1	1						
26-36	67404-12202	WORKING LAMP	1	1						
26	67404-12217	BODY	1	1						
27	67404-12225	BULB	1	1				12V23W		
28	67404-12218	GASKET	1	1						

FIG.802 ELECTRICAL PARTS



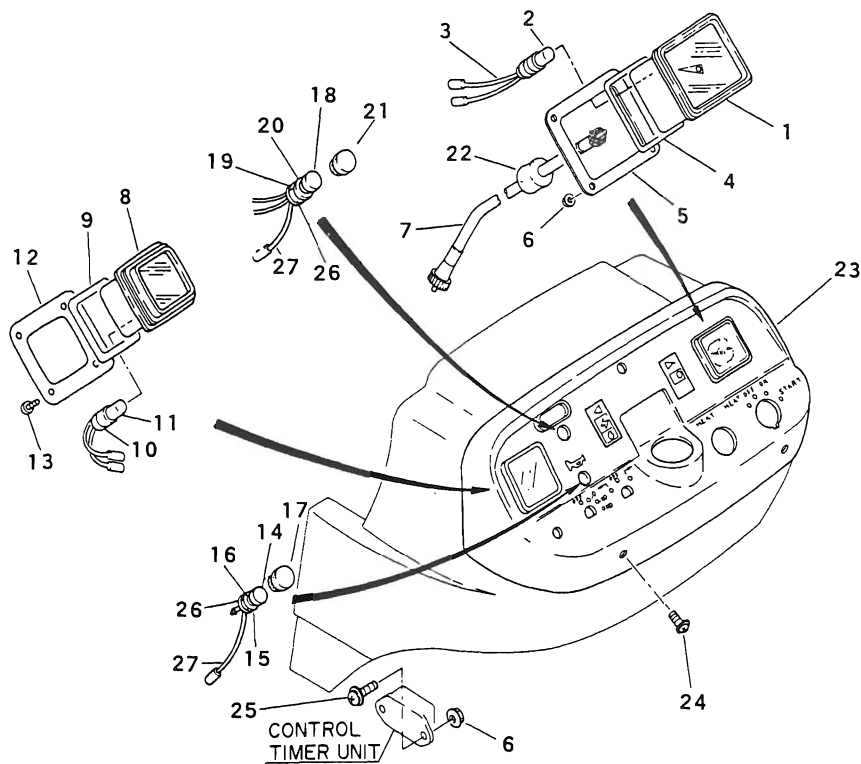
Key No	Parts No	Parts Name	Q' t y				P	Application	Description	Remarks
			4WD	2WD						
29	67404-12219	LENS	1	1						
30	67404-12221	RIM	1	1						
31	67404-12222	SPRING	1	1						
32	*	REFLECTOR	1	1						
33	F1610-04010	SCREW	1	1				M4X10		
34	67404-12223	STAY	1	1						
35	F1025-06012	BOLT	2	2				M6X12		
36	F2515-06000	WASHER, spring	2	2				M6		

FIG.803 METER PANEL (1/2)



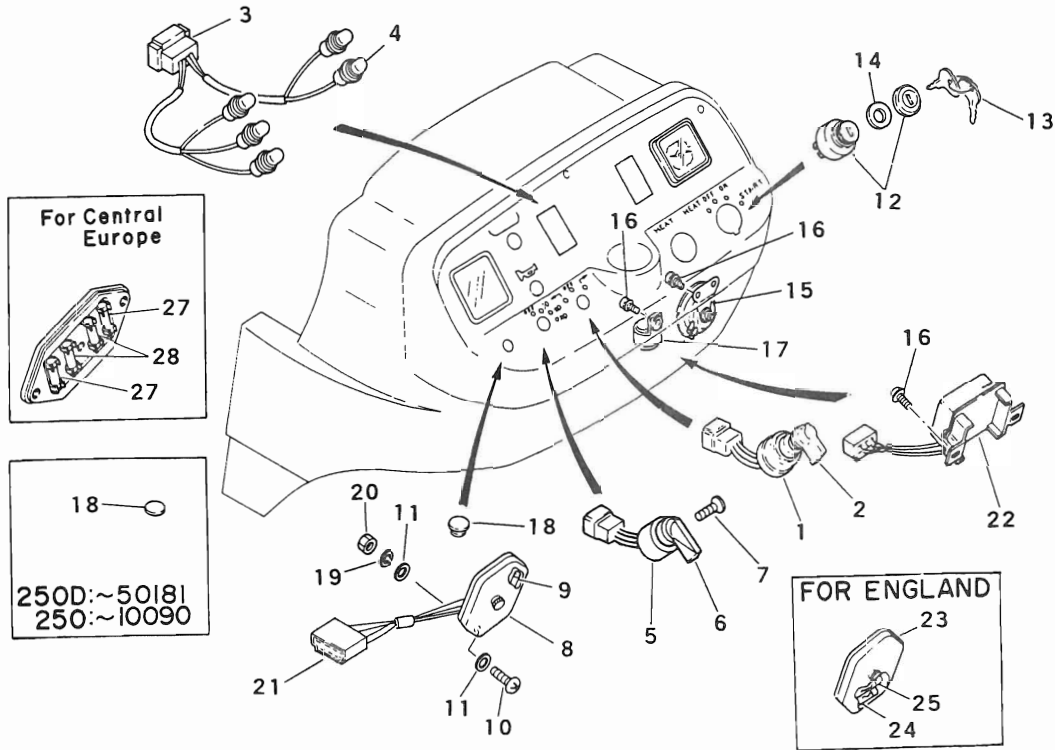
Key No	Parts No	Parts Name	Q'ty					P	Application	Description	Remarks
			4WD	2WD							
1~4	1982 2824 000	TACHOMETER	1	1							
1	*	METER	1	1							
2	1174 2929 000	BULB	1	1					12V3.4W		
3	1174 2918 120	CODE ASSY	1	1							
4	1021 2921 120	SEAT,rubber	1	1							
5	1019 2822 001	PLATE	1	1							
6	F300 0106 001	NUT,flange	6	6					M6		
7	1021 2923 000	CABLE,flexible	1	1							
8~11	1021 2916 000	FUEL METER	1	1							
8	*	METER	1	1							
9	1021 2916 120	PACKING	1	1							
10	1021 2916 130	SOCKET	1	1							
11	1021 2916 140	BULB	1	1							
12	1021 2917 000	PLATE	1	1							
13	0432 1104 012	SCREW,tapping	4	4					M4X12		
14~17	1984 2949 000	HORN SWITCH	1	1					210D 50643~ 210 10268~ 250D:51033~ 250 10875~		
14~16	1982 2831 000	HORN SWITCH	1	1				D			
14	*	SWITCH	1	1							
15	1984 2962 120	NUT	1	1					210D:50643~ 210 10268~ 250D:51033~ 250 10875~		
16	67404-00311	NUT	1	1				D			
	A360 0100 802	WASHER	1	1					210D:50643~ 210 10268~ 250D:51033~ 250 10872~	M8 M8 M8 M8	
17	67404-00313	WASHER	1	1				D			
	1174 2944 000	BOOT	1	1					210D:50643~ 210 10268~ 250D:51033~ 250 10875~	Added	

FIG.803 METER PANEL (1/2)



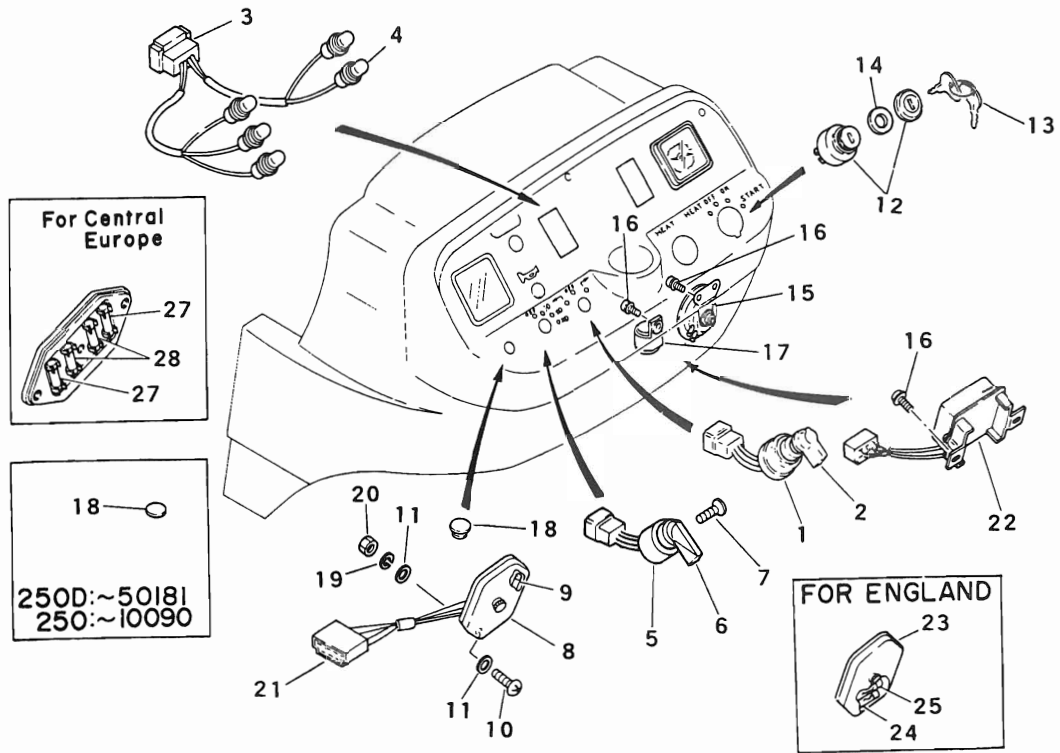
Key No	Parts No	Parts Name	Q'ty				F/P	Application	Description	Remarks
			4WD	2WD						
18~21	1984 2962 000	CHECK SWITCH	1	1				210D.50643~ 210. 10268~ 250D 51033~ 250 10875~		
18~20	1982 2832 000	CHECK SWITCH	1	1			D			
	18 *	SWITCH	1	1						
	19 1984 2962 120	NUT	1	1				210D.50643~ 210 10268~ 250D.51033~ 250 10875~		
	67404-00311	NUT	1	1			D			
20	A360 0100 802	WASHER	1	1				210D 50643~ 210 10268~ 250D.51033~ 250 10875~	M8 M8 M8 M8	
	67404-00313	WASHER	1	1			D			
21	1174 2944 000	BOOT	1	1				210D 50643~ 210 10268~ 250D 51033~ 250 10875~		Added
22	1019 2824 000	CUSHION	1	1						
23	1982 2527 002	PANEL	1	1						
24	1019 2599 601	SCREW,w/washer	5	5						
25	H242 0106 020	SCREW,w/washer	2	2					M6X20	
26	1174 2942 000	CODE ASSY	2	2				210D 50643~ 210D 10268~ 250D 51033~ 250 10875~		Added
	1174 2942 000	CODE ASSY	20	2						
	1174 2942 000	CODE ASSY	2	2				250 10875~		
27	0350 0130 820	WASHER	2	2				210D 50643~ 210 10268~ 250D-51033~ 250 10875~		Added

FIG.804 METER PANEL (2/2)



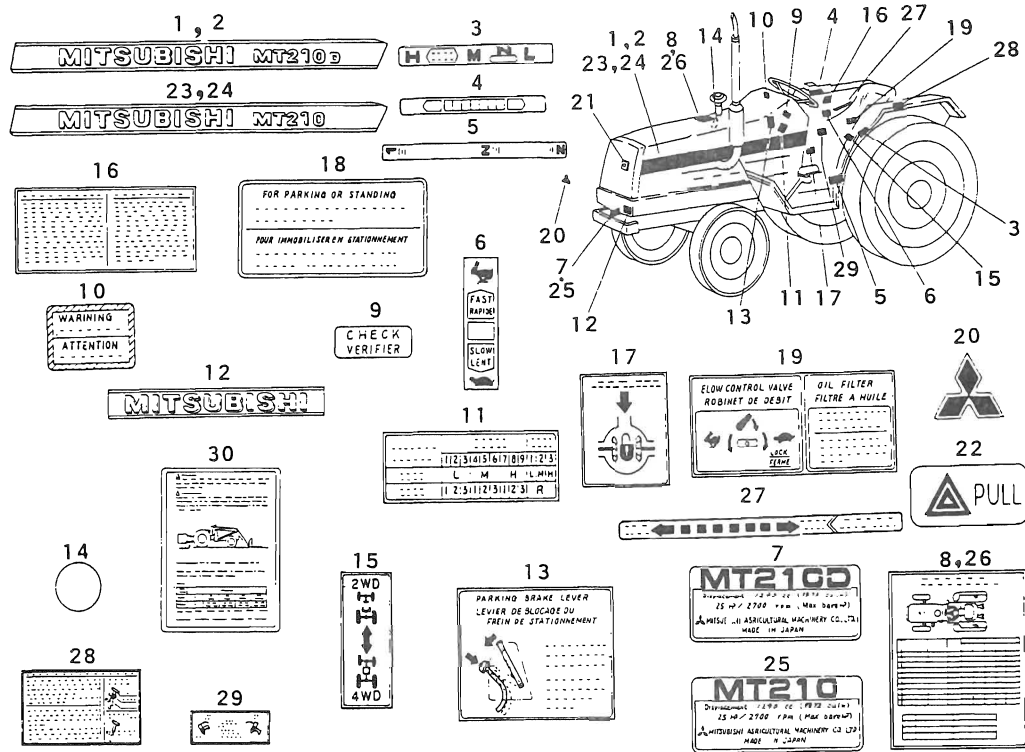
Key No	Parts No	Parts Name	Q'ty				P	Application	Description	Remarks
			4WD	2WD						
1,2	1982 2813 000	FLASHING SWITCH	1	1						
1	*	SWITCH	1	1						
2	1982 2813 110	LEVER,switch	1	1						
3,4	1982 2826 000	WARNING LAMP	1	1						
3	1982 2826 110	SOCKET C.P	1	1						
4	1982 2826 120	BULB	5	5				12V3 4W		
5-7	1174 2937 000	LIGHTINGSWITCH	1	1						
5	*	SWITCH	1	1						
6	1150 2827 210	KONB	1	1						
7	A222 0103 008	SCREW	1	1				M3X8		
8,9	69504-17200	FUSE BOX	1	1						
8	*	BOX	1	1						
9	67404-02034	FUSE	4	4				10A		
10	A242 0105 020	SCREW	2	2				M5X20		
11	0350 0120 512	WASHER	4	4				M5		
12,13	67404-12700	STARTER SWITCH	1	1						
12	*	SWITCH	1	1						
13	67404-02712	KEY	1	1					Set of 2pce	
14	1982 2836 001	PACKING,switch	1	1						
15	67404-02100	HORN	1	1					Exclude Central Europe	
16	H242 0106 016	SCREW,w/washer	5	5				M6X16		
17	1180 2908 000	FLASHER UNIT	1	1						
18	1981 2822 000	PLUG	1	1				210D 50012~ 210 10011~ 250D 50182~ 250 10091~		
19	○ A360 0100 502	MARK,blind WASHER,spring	1	1			B		1978 2771 000	
20	A300 0105 001	NUT	2	2				M5		
21	1982 2816 001	HARNESS	1	1						
21a	○ 1985 2917 000	HARNESS HARNESS	1	1			A		1982 2816 000 For Central Europe	
22	1983 2919 000	REGULATOR	1	1						
23-25	1981 2843 000	FUSE BOX	1	1					For England	
23	*	BOX	1	1						

FIG.804 METER PANEL (2/2)



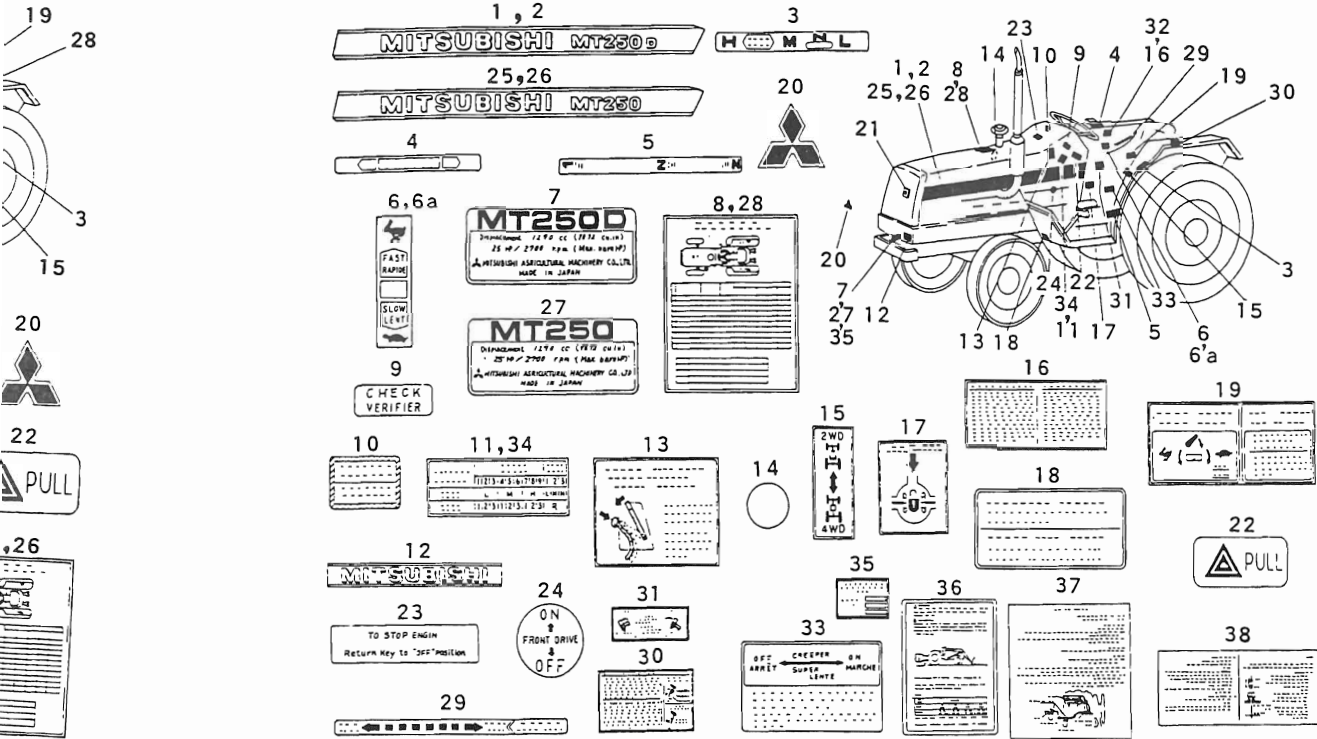
Key No	Parts No	Parts Name	Q' t y				P	Application	Description	Remarks
			4WD	2WD						
24	0980 1001 501	FUSE	1	1				15A		
25	67404-02034	FUSE	3	3				10A		
26-28	1985 2918 000	FUSE BOX	1	1					For Central Europe	
26	*	BOX	1	1						
27	0980 1002 001	FUSE	2	2						
28	67404-02034	FUSE	2	2				10A		

FIG.901 NAME PLATE (210D,210)



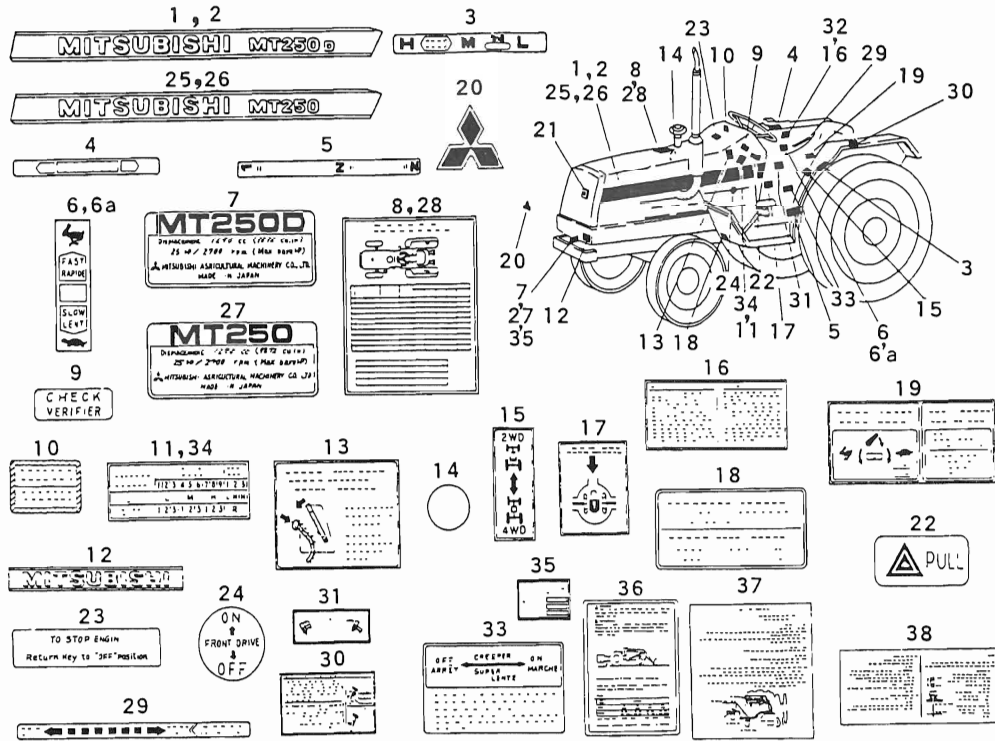
Key No	Parts No	Parts Name	Q't y				R/P	Application	Description	Remarks
			4WD	2WD						
1	1984 2723 000	LABEL L.H,side	1	•						
2	1984 2724 000	LABEL R.H,side	1	•						
3	1984 2715 000	LABEL	1	1						
4	1984 2716 000	LABEL,position	1	1						
5	1984 2717 000	LABEL P.T.O	1	1						
6	1984 2718 000	LABEL	1	1						
7	1984 2735 000	PLATE,name	1	•						
8	1984 2728 003	LABEL,oil	1	•			50564-			
	1984 2728 002	LABEL,oil	1	•			D			
9	1984 2733 000	LABEL,check	1	1						
10	1994 2738 000	LABEL,caution	1	1						
11	1994 2744 000	LABEL	1	1						
12	1984 2737 000	LABEL	1	1						
13	1994 2724 000	LABEL,brake	1	1						
14	1994 2727 000	LABEL,plug	12	12						
15	1986 2738 001	LABEL 4WD	1	•						
	○	LABEL 4WD	1	•			A		For England 1986 2738 000 Exclude England	
16	1994 2729 000	LABEL,safety	1	1						
17	1986 2712 000	LABEL	1	1						
18	1994 2734 000	LABEL	1	1						
19	1994 2736 000	LABEL	1	1						
20	1180 2655 000	EMBLEM,front	1	1						
21	1135 2706 000	NUT,spire	1	1						
22	1982 2732 001	LABEL,hazard	1	1						
23	1984 2721 000	LABEL L.H,side	•	1						
24	1984 2722 000	LABEL R.H,side	•	1						
25	1984 2734 000	PLATE,name	•	1						
26	1984 2727 003	LABEL,oil	•	1			10227-			
	1984 2727 002	LABEL,oil	•	1			D			
27	1994 2721 000	LABEL,draft	1	1						
28	1984 2742 000	LABEL P.T.O	1	1					For DRAFT	
29	1984 2743 000	LABEL,control	1	1			4WD ~ 50563 2WD ~ 10226		For Live P T O Deleted	
30	1984 2745 000	LABEL,loader	1	1						

FIG.902 NAME PLATE (250D,250)



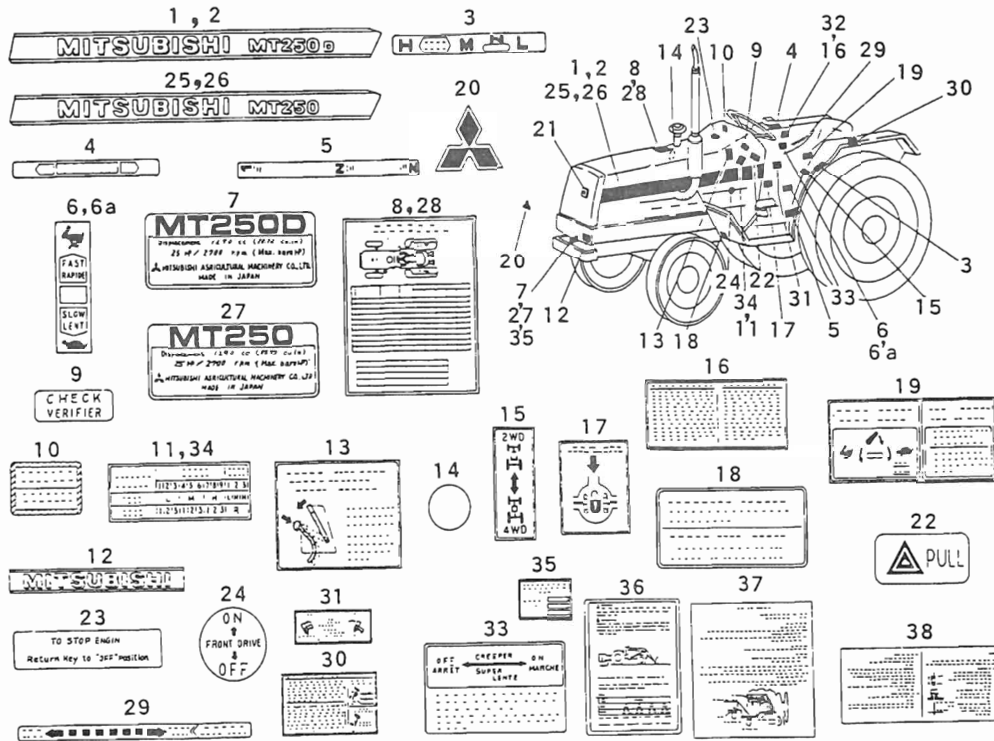
Description	Remarks	No	Parts No	Parts Name	Q'ty				P	Application	Description	Remarks
					4WD	2WD						
		1	1984 2713 000	LABEL L.H,side	1	•						
		2	1984 2714 000	LABEL R.H,side	1	•						
		3	1984 2715 000	LABEL	1	1						
		4	1984 2716 000	LABEL,position	1	1						
		5	1984 2717 000	LABEL P.T.O	1	1						
		6	1984 2718 000	LABEL	1	1						
		6a	1021 2724 000	LABEL	1	•						For England
		7	1984 2726 000	PLATE,name	1	•						
		8	1984 2772 000	LABEL,oil	1	•						
			1984 2728 003	LABEL,oil	1	•						
			1984 2728 002	LABEL,oil	1	•			D	4WD:50899~		
			○	LABEL,oil	1	•			B	4WD:50277~		1984 2728 001
			○	LABEL,oil	1	•			B	4WD:50062~		1984 2728 000
		9	1984 2733 000	LABEL,cheek	1	1						
		10	1994 2738 000	LABEL,caution	1	1						
	For England		1994 2778 000	LABEL,caution	1	•						For Middle East
	1986 2738 0	11	1994 2744 000	LABEL	1	1						
	Exclude Engl	12	1984 2737 000	LABEL	1	1						
		13	1994 2724 000	LABEL,brake	1	1						
			1994 2783 000	LABEL,brake	1	•						For Middle East
		14	1994 2727 000	LABEL,plug	12	12						
		15	1986 2738 001	LABEL,4wd	1	•						
			○	LABEL,4wd	1	•			A			1986 2738 000
		16	1994 2729 000	LABEL,safety	1	1						
			1994 2781 000	LABEL	1	•						For Middle East
		17	1986 2712 000	LABEL	1	1						
			1984 2774 000	LABEL	1	•						For Middle East
		18	1994 2734 000	LABEL	1	1						
			1994 2784 000	LABEL,parking	1	•						For Middle East
	For DRAFT	19	1994 2736 000	LABEL	1	1						
	For Live P.T.O		1994 2785 000	LABEL	1	•						For Middle East
	Deleted	20	1180 2655 000	EMBLEM,front	1	1						
		21	1135 2706 000	NUT,spire	1	1						
		22	1982 2732 001	LABEL,hazard	1	1						4WD:50182~ 2WD:10091~

FIG.902 NAME PLATE (250D,250)



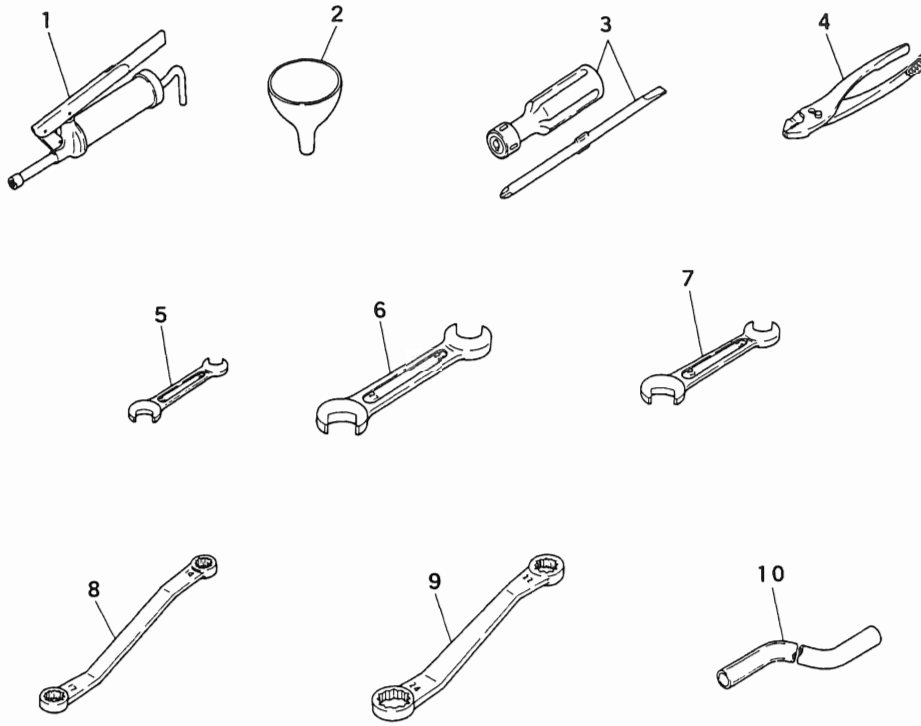
Key No	Parts No	Parts Name	Q'ty				P	Application	Description	Remarks
			4WD	2WD						
1	1984 2713 000	LABEL L.H,side	1	•						
2	1984 2714 000	LABEL R.H,side	1	•						
3	1984 2715 000	LABEL	1	1						
4	1984 2716 000	LABEL,position	1	1						
5	1984 2717 000	LABEL P.T.O	1	1						
6	1984 2718 000	LABEL	1	1						
6a	1021 2724 000	LABEL	1	•					For England	
7	1984 2726 000	PLATE,name	1	•						
8	1984 2772 000	LABEL,oil	1	•						
	1984 2728 003	LABEL,oil	1	•			4WD 50899~			
	1984 2728 002	LABEL,oil	1	•			D 4WD 50277~			
	○	LABEL,oil	1	•			B 4WD 50062~		1984 2728 001	
	○	LABEL,oil	1	•			B		1984 2728 000	
9	1984 2733 000	LABEL,cheek	1	1						
10	1994 2738 000	LABEL,caution	1	1						
	1994 2778 000	LABEL,caution	1	•					For Middle East	
11	1994 2744 000	LABEL	1	1						
12	1984 2737 000	LABEL	1	1						
13	1994 2724 000	LABEL,brake	1	1						
	1994 2783 000	LABEL,brake	1	•					For Middle East	
14	1994 2727 000	LABEL,plug	12	12						
15	1986 2738 001	LABEL,4wd	1	•						
	○	LABEL,4wd	1	•			A		1986 2738 000	
16	1994 2729 000	LABEL,safety	1	1						
	1994 2781 000	LABEL	1	•					For Middle East	
17	1986 2712 000	LABEL	1	1						
	1984 2774 000	LABEL	1	•					For Middle East	
18	1994 2734 000	LABEL	1	1						
	1994 2784 000	LABEL,parking	1	•					For Middle East	
19	1994 2736 000	LABEL	1	1						
	1994 2785 000	LABEL	1	•					For Middle East	
20	1180 2655 000	EMBLEM,front	1	1						
21	1135 2706 000	NUT,spire	1	1						
22	1982 2732 001	LABEL,hazard	1	1						
							4WD 50182~			
							2WD 10091~			

FIG.902 NAME PLATE (250D,250)



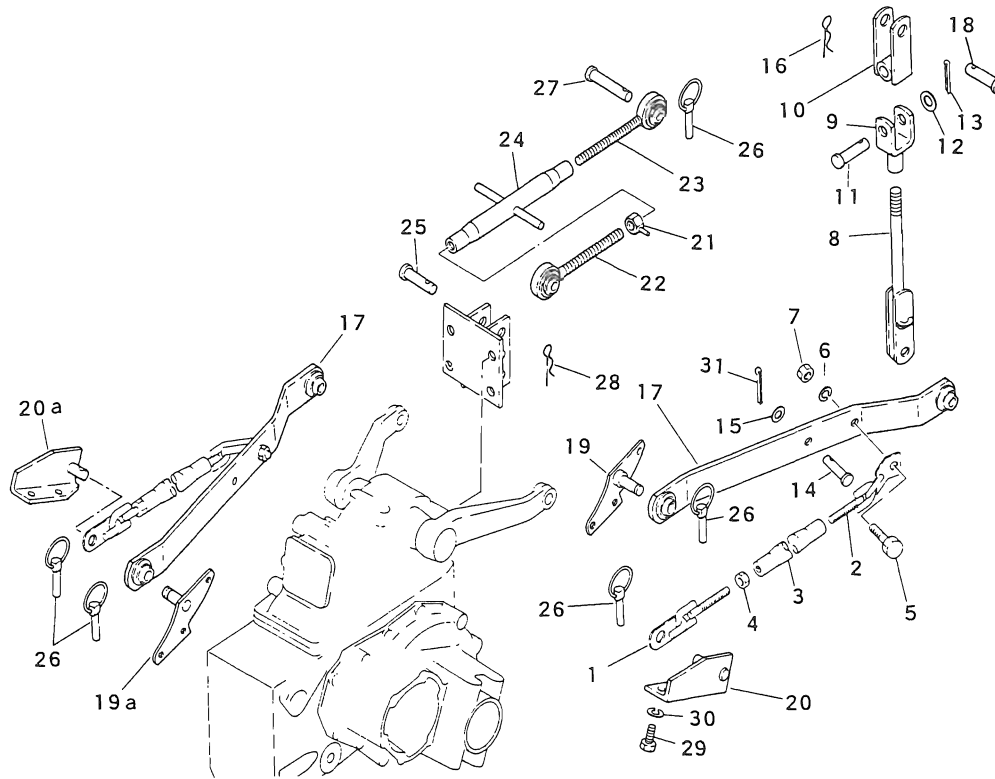
Key No	Parts No	Parts Name	Q'ty				Application	Description	Remarks
			4WD	2WD					
	○	LABEL,hazard	1	1					
23	1986 2711 000	LABEL	1	•					1982 2730 001 For England
24	1974 2755 000	MARK,4wd	1	•					For England
25	1984 2711 000	LABEL L.H,side	•	1					
26	1984 2712 000	LABEL R.H,side	•	1					
27	1984 2725 000	PLATE,name	•	1					
28	1984 2727 003	LABEL,oil	•	1			2WD 10849 ~		
	○	LABEL,oil	•	1			B 2WD 10131 ~		1984 2727 002
	○	LABEL,oil	•	1			B		1984 2727 001
29	1994 2721 000	LABEL,draft	1	1					For DRAFT
30	1984 2742 000	LABEL,p.t.o	1	1					For Live P T O
31	1984 2743 000	LABEL,control	1	1			4WD ~ 50898 2WD ~ 10848		Deleted
32	1994 2731 000	LABEL,creep	1	1					For Central Europe
33	1984 2751 000	LABEL,creep	1	1					For Central Europe
34	1984 2749 000	LABEL	1	1					For Central Europe
35	1981 2747 000	PLATE,name	1	1					For Central Europe
36	1984 2745 000	LABEL,loader	1	1					
37	1984 2776 000	LABEL,caution	1	•					For Middle East
38	1984 2775 000	LABEL,caution	1	•					For Middle East

FIG.903 TOOLS



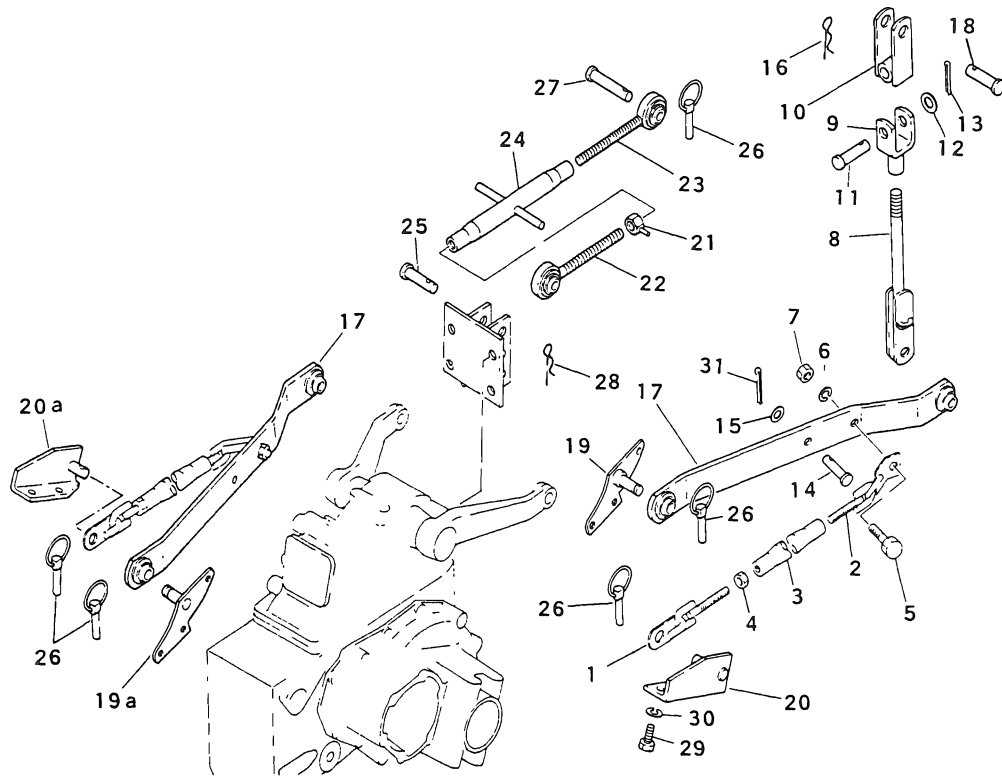
Key No	Parts No	Parts Name	Q' t y				P	Application	Description	Remarks
			4WD	2WD						
		TOOLS								
1	64309-15300	PUMP,grease	1	1						
2	67200-21900	FUNNEL,oil	1	1						
3	67409-00700	DRIVER	1	1						
4	67409-00800	PLIERS	1	1						
5	67409-00900	SPANNER	1	1				10X12		
6	67409-01000	SPANNER	1	1				24X27		
7	67409-01300	SPANNER	1	1				19X22		
8	67409-01100	WRENCH,offset	1	1				14X17		
9	67409-01200	WRENCH,offset	1	1				19X22		
10	08542-12035	PIPE	1	1						

FIG.904 THREE POINT LINKAGE (1/2)



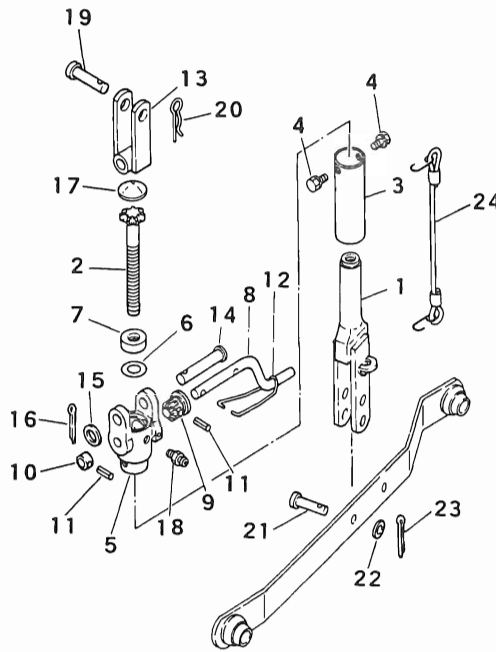
Key No	Parts No	Parts Name	Q'ty				P	Application	Description	Remarks
			4WD	2WD						
1~4	69561-00021	CHECK CAHIN	2	2						
1	69561-06001	CHAIN R.H	2	2						
2	69561-06101	CHAIN L.H	2	2						
3	69561-06301	TURN BUCKLE	2	2						
4	A304 0114 001	NUT	2	2				M14		
5	A055 0116 050	BOLT	2	2				M16X50		
6	A360 0101 602	WASHER, spring	2	2				M16		
7	A304 0116 001	NUT	2	2				M16		
8~13	1983 3002 OC1	LIFT ROD L.H	1	1						
8	1983 3017 OC2	ROD L.H	1	1						
9	1174 3018 OC1	ROD L.H	1	1						
10	1171 3017 OC0	JOINT, lift rod	1	1						
11	1174 3031 000	PIN, lift rod	1	1						
12	0350 0151 632	WASHER	1	1				M16		
13	0520 0140 036	PIN, split	1	1				φ4X36		
14	67361-23902	PIN, lift rod	1	1						
15	0350 0151 632	WASHER	1	1				M16		
16	67361-25200	PIN, snap	1	1						
17	1983 3011 OC1	LINK, lower	2	2						
18	1174 3016 002	PIN, lift arm	1	1						
19	1983 3013 OC0	BRACKET L.H	1	1						
19a	1983 3014 OC0	BRACKET R.H	1	1						
20	1983 3015 OC2	BRACKET L.H	1	1				210D 50162~ 210 10111~ 250D 50312~ 250 10146~		
	○	BRACKET L.H	1	1			B		1983 3015 OC1	
	○	BRACKET L.H	1	1			A		1983 3015 OC0	
20a	1983 3016 OC2	BRACKET R.H	1	1				210D 50162~ 210 10111~ 250D 50312~ 250 10146~		
	○	BRACKET R.H	1	1			B		1983 3016 OC1	
	○	BRACKET R.H	1	1			A		1983 3016 OC0	
21~24	67461-00055	UPPER LINK ASSY	1	1						

FIG.904 THREE POINT LINKAGE (1/2)



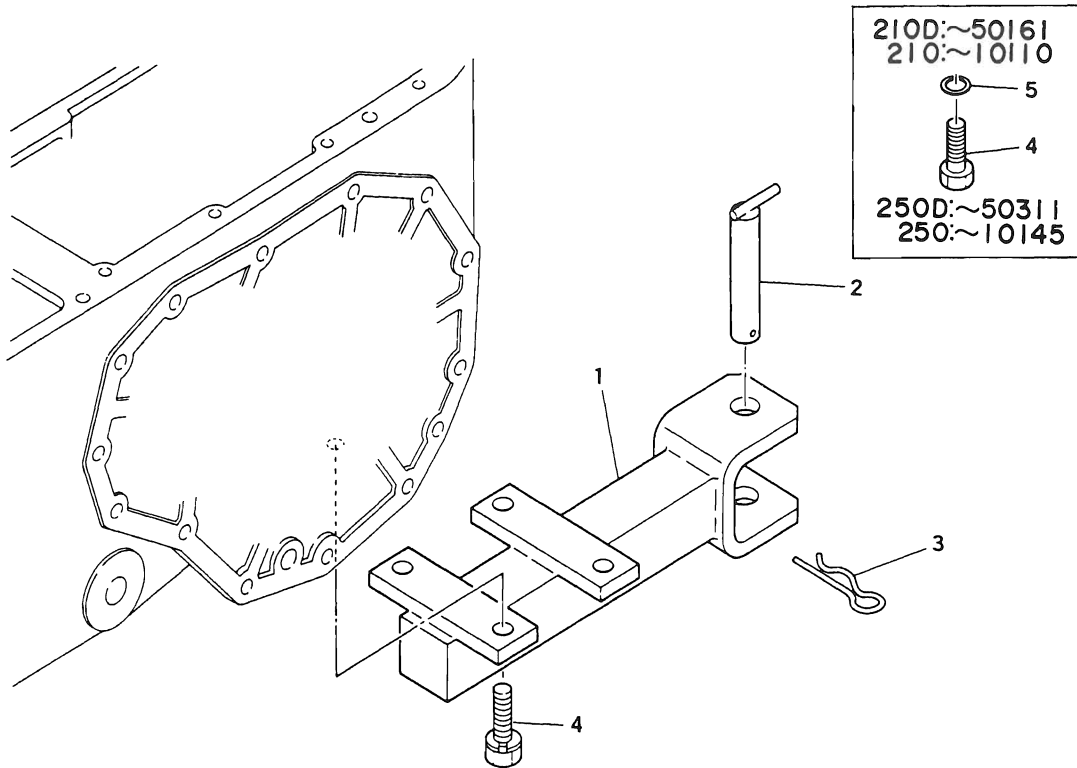
Key No	Parts No	Parts Name	Q' t y				P	Application	Description	Remarks
			4WD	2WD						
21	68461-01300	NUT	1	1						
22	67461-117C0	EYEBOLT L.H	1	1						
23	67461-118C0	EYEBOLT R.H	1	1						
24	67461-016C0	TURN-BUCKLE	1	1						
25	67762-21201	PIN	1	1						
26	67461-03100	LINCH PIN 10	7	7						
27	67200-11204	PIN,upper link	1	1						
28	67200-12300	PIN,snap	1	1						
29	A040 0114 035	BOLT	4	4				M14X35		
30	A360 0101 402	WASHER, spring	4	4				M14		
31	0520 0140 040	PIN,split	1	1						
	○	PIN,split	1	1			A	φ4X36	0520 0140 036	

FIG.905 THREE POINT LINKAGE (2/2)



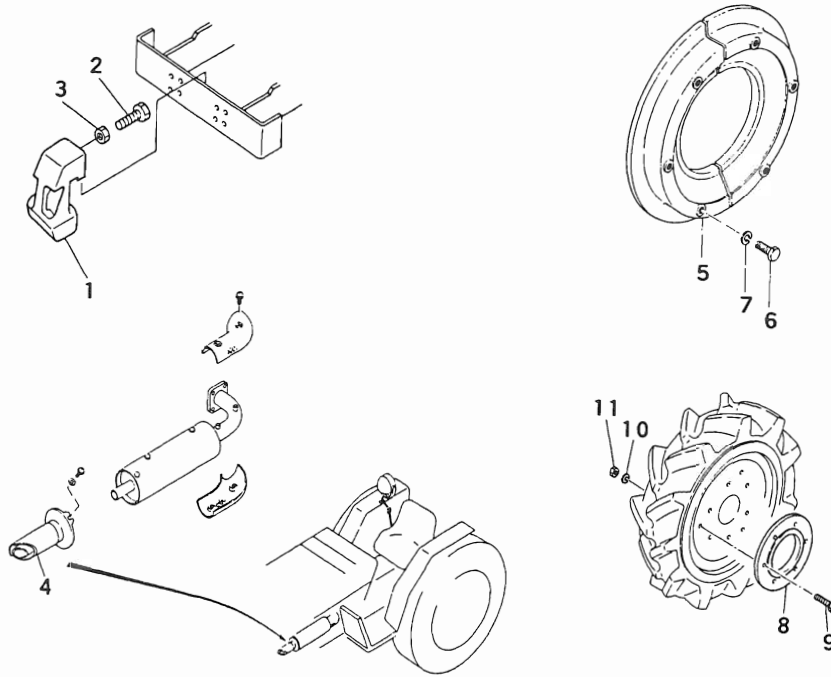
Key No	Parts No	Parts Name	Q'ty				F/P	Application	Description	Remarks
			4WD	2WD						
1-18	1984 3001 0C0	ROD R.H, lift	1	1						
1	1174 3025 0C1	ROD R.H	1	1						
2	1174 3024 000	GEAR, liftrod	1	1						
3	1174 3028 0C0	COVER	1	1						
4	F144 0106 012	BOLT, w/washer	2	2				M6X12		
5	68461-118C0	CASE, gear	1	1						
6	67361-23400	SHIM	AR	AR						
7	67361-25100	BEARING	1	1						
8	68461-01901	HANDLE	1	1						
9	68461-020C0	PINION	1	1						
10	68461-02101	COLLAR	1	1						
11	0550 0006 022	PIN, spring	2	2				φ6X22		
12	68461-02200	PIN, handle	1	1						
13	1984 3011 0C0	JOPINT, lift rod	1	1						
14	67361-23201	PIN, clevis	1	1						
15	0350 0151 632	WASHER	1	1				M16		
16	0520 0140 040	PIN, split	1	1				φ4X40		
	○	PIN	1	1			A	φ4X36	0520 0140 036	
17	F5010-45000	PLUG, expansion	1	1						
18	A650 3100 300	NIPPLE, grease	1	1				PT= 1/8		
19	1176 3018 000	PIN, lift arm	2	2						
	○	PIN, lift arm	1	1			A		1174 3016 002	
20	67361-25200	PIN, snap	1	1						
21	67361-23902	PIN, lift rod	1	1						
22	0350 0151 632	WASHER	1	1				M16		
23	0520 0140 040	PIN, split	1	1				φ4X40		
	○	PIN	1	1			A	φ4X36	0520 0140 036	
24	69561-06701	BAND	1	1						

FIG.906 TOOLS



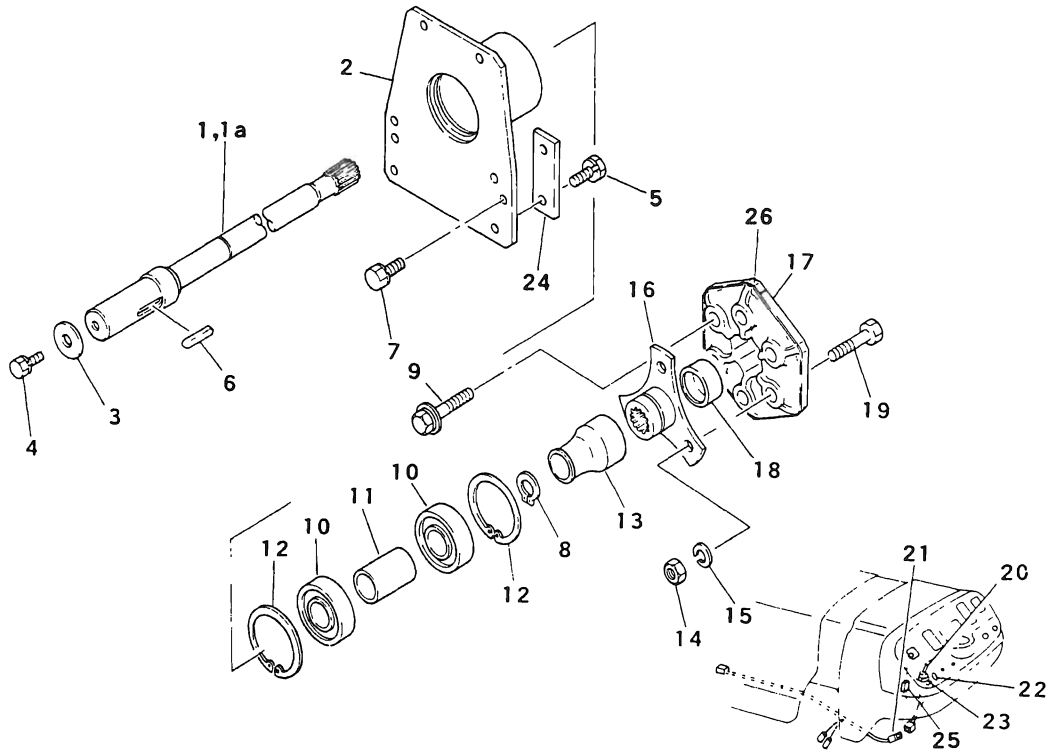
Key No	Parts No	Parts Name	Q' t y				B P	Application	Description	Remarks
			4WD	2WD						
1	1021 3111 0C0	DRAWBAR	1	1						
2	67765-20402	PIN	1	1						
3	67200-12300	PINSNAP	1	1						
4	F154 0112 035	BOLT	4	4				M12X35		
	○	BOLT	4	4			A	M12X35	A040 0112 035	
5	A360 0101 202	WASHER, spring	4	4				210D ~50161 210 ~10110 250D~50311 250 ~10145	M12 M12 M12 M12	Deleted

FIG.907 BUMPER WEIGHT & TAIL PIPE COVER



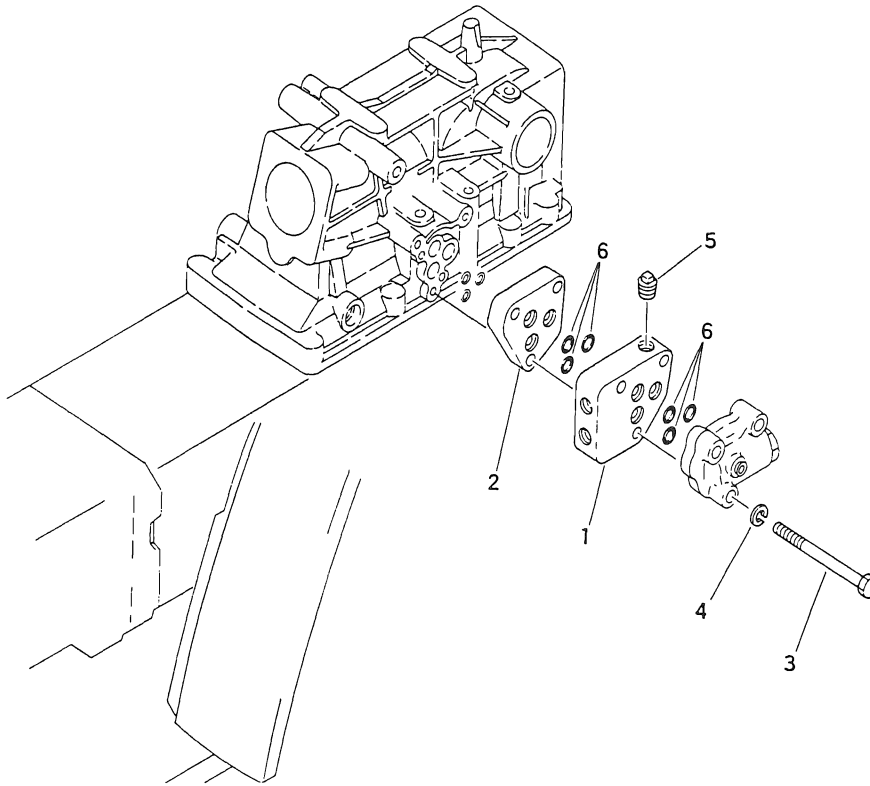
Key No	Parts No	Parts Name	Q' t y				P	Application	Description	Remarks
			4WD	2WD						
1~3	1982 5040 0C0	BUMPER WEIGHT								
1	1151 5161 0C0	BUMPER WEIGHT	1	1						
2	A052 0112 060	WEIGHT,bumper	1	1						
3	A303 0112 002	BOLT	1	1				M12X60		
		NUT	1	1				M12		
4	1982 5301 0K1	TAIL PIPE COVER	1	1						
5~7	1158 5170 001	WHEEL WEIGHT								
5	68446-70200	FRONT WEIGHT		• 1						
6	A050 0112 030	WEIGHT,front		• 4						
7	A360 0101 202	BOLT		• 12				M12X30		
		WASHER,spring		• 12				M12		
8~11	1167 5530 0C2	REAR WHEEL								
8	1167 5531 0C2	REAR WEIGHT	1	1						
9	A055 0116 070	WEIGHT	2	2						
10	A360 0101 602	BOLT	6	6				M16X70		
11	A303 0116 002	WASHER,spring	6	6				M16		
		NUT	6	6				M16		

FIG.908 FRONT P.T.O



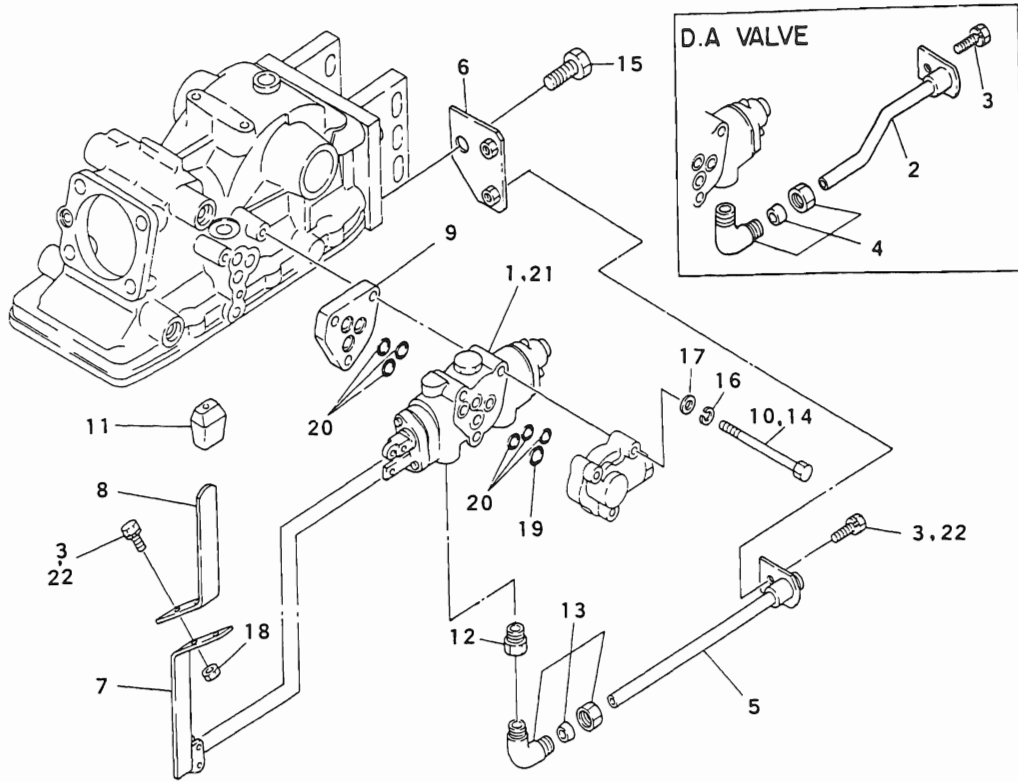
Key No	Parts No	Parts Name	Q' t y				P	Application	Description	Remarks
			4WD	2WD						
1~25	1984 5010 0C0	FRONT P.T.O KIT	1	1					For 210	
1a~25	1984 5020 0C0	FRONT P.T.O KIT	1	1					For 250	
1	1984 5011 0C0	SHAFT	1	1					For 210	
1a	1984 5012 0C0	SHAFT	1	1					For 250	
2	1982 5012 0C1	BRACKET	1	1						
3	3610 0104 000	WASHER	1	1						
4	F155 0110 030	BOLT,w/washer	1	1				M10X30		
5	F155 0110 050	BOLT,w/washer	4	4				M10X35		
6	1970 5407 000	KEY	1	1						
7	F155 0110 016	BOLT,w/washer	4	4				M10X16		
8	0740 0102 000	RING,snap	1	1				φ20		
9	H155 0110 050	BOLT,w/washer	3	3				M10X50		
10	0750 0563 044	BEARING	2	2				6304 DD		
11	1970 5413 000	SPACER	1	1						
12	0741 0105 200	RING,snap	2	2				φ52		
13	1019 5421 000	BOOT	1	1						
14	A303 0110 002	NUT	3	3				M10		
15	A360 0101 002	WASHER,spring	3	3				M10		
16	1019 5402 0C0	FLANGE	1	1						
17	67495-90200	COUPLING	1	1						
18	1019 5422 000	CAP	1	1						
19	A055 0110 050	BOLT	3	3				M10X50		
20	1982 5013 000	SWITCH,p.t.o	1	1						
21	1982 5014 000	HARNESS,p.t.o	1	1						
22	1982 5015 001	MARK	1	1						
23	1982 5016 000	COVER	1	1						
24	1984 5013 0C0	SPACER	2	2						
25	1984 5014 000	WIRE,lead	1	1						
26	1982 5021 000	LABEL	1	1					Added	

FIG.909 ADAPTER KIT



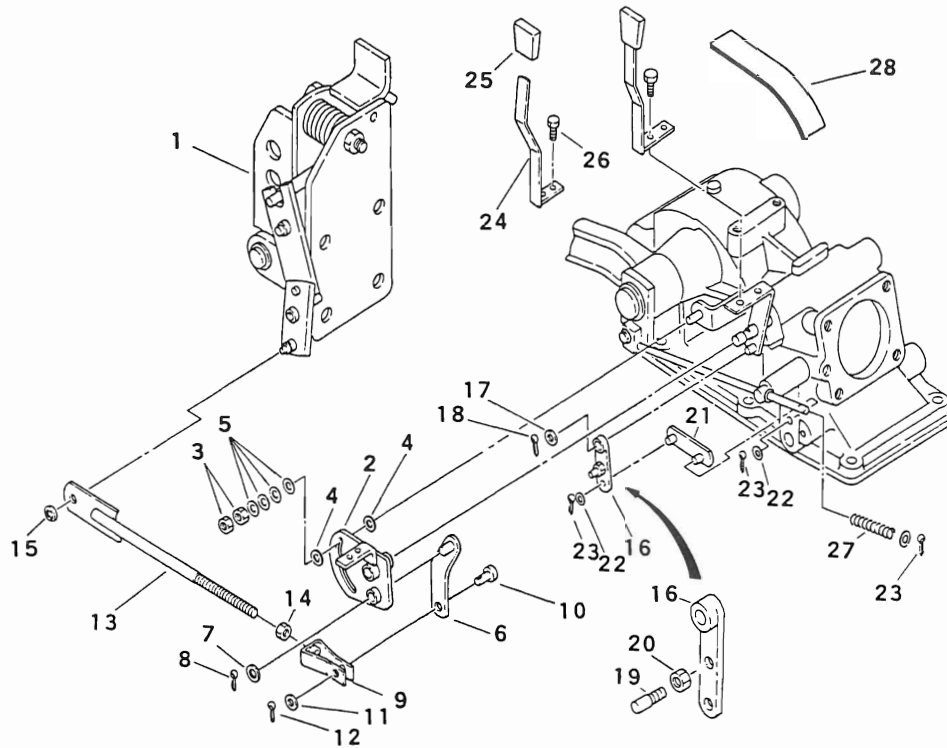
Key No	Parts No	Parts Name	Q' t y				P/P	Application	Description	Remarks
			4WD	2WD						
1~6	1021 6040 000	ADAPTER KIT	1	1						
1,2	1021 6045 000	ADAPTER ASSY	1	1						
1	1021 6041 000	ADAPTER	1	1						
2	A600 0201 000	PLUG	1	1				PT3/8		
3	A054 0108 090	BOLT	3	3				M8X90		
4	A360 0100 802	WASHER,spring	3	3				M8		
5	1021 6006 000	SPACER	1	1						
6	0830 0100 120	O-RING	6	6				φ12		

FIG.910 EXTERNAL HYDAULIC KIT



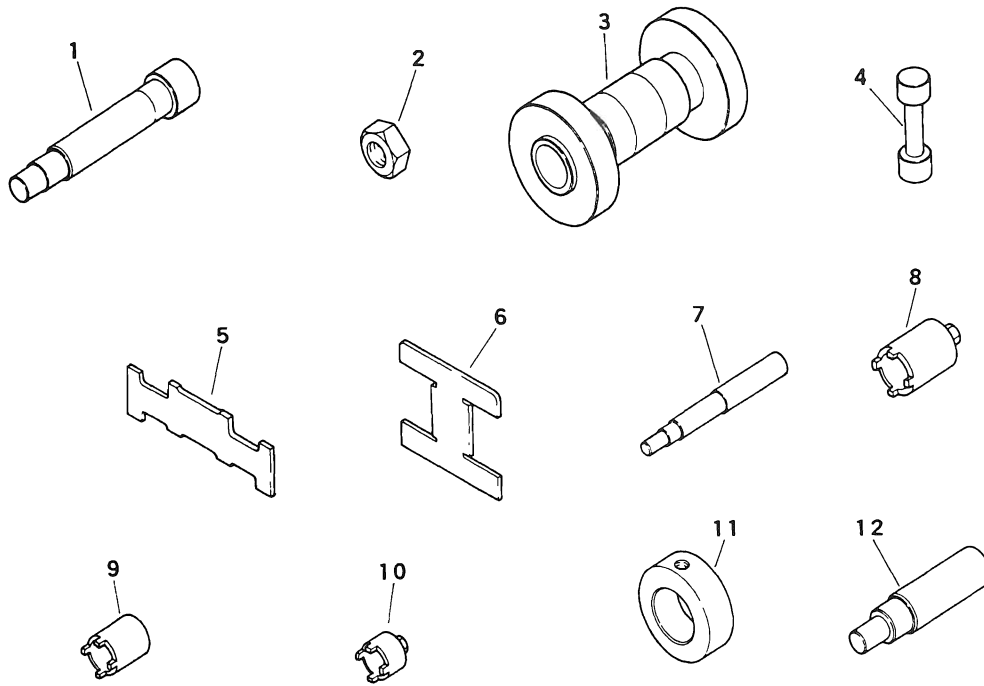
Key No	Parts No	Parts Name	Q' t y				F/P	Application	Description	Remarks
			4WD	2WD						
1-20	1021 6000 OC1	HYDRAULIC KIT	1	1						
1	1981 6011 OC0	D.A SUB VALVE	1	1						D.A Sub Valve
2	1021 6002 OC1	PIPE B	1	1						D A Sub Valve
3	F154 0108 020	BOLT,w/washer	4	4				M8X20		D A Sub Valve
4	1021 6009 000	JOINT	1	1						
5-22	1021 6020 OC1	HYDRAULIC KIT	1	1						Sub Valve
5	1021 6001 OC1	PIPE A	1	1						
6	1021 6003 OC0	BRACKET	1	1						
7	1021 6004 000	LEVER A	1	1						
8	1021 6005 001	LEVER B	1	1						
9	1021 6006 000	SPACER	1	1						
10	1021 6007 000	BOLT	3	3						
11	1174 2449 000	GRIP	1	1						
12	1174 6004 001	ADAPTER	1	1						
13	1174 6005 001	JOINT	1	1						
14	A054 0108 110	BOLT	3	3				M8X110		
15	A040 0114 035	BOLT	1	1				M14X35		
16	A360 0100 802	WASHER,spring	3	3				M8		
17	0350 0130 815	WASHER	9	9				M8		
18	F301 0108 001	NUT,flange	2	2				M8		
19	0830 0100 160	O-RING	1	1				φ16		
20	0830 0100 120	O-RING	6	6				φ12		
21	1985 2415 OC0	SUB VALVE	1	1						Sub Valve
22	F154 0108 020	BOLT,w/washer	3	3				M8X20		Sub Valve

FIG.911 DRAFT CONTROL KIT



Key No	Parts No	Parts Name	Q' t y				F/P	Application	Description	Remarks
			4WD	2WD						
1-28	1984 6200 0C0	DRAFT CONTROL	1	1						
1	1984 6201 0C1	SENSOR ASSY	1	1						
	○	SENSOR ASSY	1	1			A		1984 6201 0C0	
2	1983 2431 000	BRACKET,lever	1	1						
3	A301 0108 002	NUT	2	2				M8		
4	0350 0140 818	WASHER	2	2				M8		
5	1003 2433 000	SPRING,disk	4	4						
6	1983 2426 000	LINK D,draft	1	1						
7	0350 0130 815	WASHER	1	1				M8		
8	0520 0125 016	PIN,split	1	1				φ2.5X16		
9	1983 2433 000	JOINT	1	1				M10		
10	0562 0110 025	PIN,clevis	1	1				φ10X25		
11	0350 0141 022	WASHER	1	1				M10		
12	0520 0130 020	PIN,split	1	1				φ3X20		
13	1983 2432 000	ROD,draft	1	1						
14	A303 0110 002	NUT	1	1				M10		
15	0742 0100 800	RING	1	1				φ8		
16	1003 2429 0C0	ARM,select	1	1						
17	0350 0130 815	WASHER	1	1				M8		
18	0520 0125 016	PIN,split	1	1				φ2.5X16		
19	1929 2163 000	BOLT	1	1						
20	A301 0108 002	NUT	1	1				M8		
21	1003 2431 0C0	ROD	1	1						
22	0350 0130 815	WASHER	2	2				M8		
23	0520 0125 016	PIN,split	3	3				φ2.5X16		
24	1021 2431 0C1	LEVER,pac	1	1						
25	1174 2449 000	GRIP	1	1						
26	H154 0108 016	BOLT	2	2				M8X16		
27	1994 2721 000	LABEL,draft	1	1						
28	1984 2419 000	SPRING	1	1						

FIG.912 SPECIAL TOOLS



Key No	Parts No	Parts Name	Q'ty				Application	Description	Remarks
			ALL						
1	1984 9012 000	GAUGE,pinion	1						
2	A073 0124 003	NUT	1						
3	1984 9011 000	GAUGE,pinion a	1						
4	1135 3908 000	GAUGE,counter	1						
5	1007 8013 000	GAUGE,diff case	1						
6	1007 8011 000	GAUGE PINION	1						
7	1007 8024 000	PILOT,clutch	1						
8	1007 8022 000	WRENCH,nut	1						
9	1135 3903 000	WRENCH,nut	1						
10	1006 8011 000	WRENCH,nut	1						
11	1984 9014 000	PILOT,clutch a	1						
12	1984 9015 000	PILOT,clutch b	1						



NUMERICAL PARTS INDEX

NUMERICAL PARTS INDEX

Parts No.	Page	Key No.	Parts No.	Page	Key No.	Parts No.	Page	Key No.
K6515430	9	7	MD001402	41	1	MD602963	22	4
	24	17	MD001404	16	2	MD607170	23	2
	34	7		41	2		48	2
	49	18	MD001517	21	5	MD607176	23	11
K7231220	8	27		46	5		48	11
	33	14	MD001521	21	9	MD607212	23	3
K7331230	33	8		46	9		48	3
K7510250	29	11	MD002613	7	18	MD607267	23	4~7
K7631160	8	3		31	19		48	4
	32	2	MD002620	7	14	MD607268	23	11~18
K7631161	8	3		30	15		48	10
	32	2	MD003330	18	1	MD607269	23	17
K8221251	30	3	MD005505	33	1		48	17
K8712630	14	18	MD006704	30	5	MD607416	22	14
	14	18	MD007528	18	15	MD607420	22	20
	39	2	MD008760	33	2	MD607432	22	1
	40	10	MD008761	33	1	MD607446	47	4
K9413390	4	14	MD008762	4	14	MD607539	22	15
	28	15		28	15	MD607540	22	16
K9612300	29	10	MD008771	19	4	MD607631	47	1
K9644171	5	18		44	2	MD607633	47	3
	20	3	MD008784	5	1	MD607634	47	6
	29	14		29	1	MD607635	47	7
	45	4	MD009014	43	1	MD607636	47	8
K9644880	45	1	MD011338	43	2	MD607638	47	10
K9665400	16	18	MD014236	7	15	MD607642	47	15
K9674350	18	3		30	16	MD607643	47	9
MD000245	26	7	MD016482	8	14	MD607645	47	21
MD000268	2	1	MD016483	8	15	MD700127	8	2
	26	1	MD016490	8	16	MD701787	17	2
MD000312	4	2	MD017625	21	8		42	2
	16	3		46	8	MD701788	17	3
	24	1	MD017645	21	7		42	3
	28	2		23	1~18	MD701789	17	6
	41	3		46	7		42	6
	49	1		48	1~18	MD703856	8	10
MD000318	4	3	MD020733	5	3		32	9
	28	3		29	20	MD712517	8	3
MD000425	8	7	MD021566	16	19		32	2
	21	9		41	20	MD952231	7	14
	32	6	MD031805	41	19		30	15
	46	9	MD040338	26	19	ME700124	47	13
MD000427	29	8	MD041704	43	15	ME700125	47	17
MD000500	33	4	MD16490	24	3	ME700127	47	19
MD000506	33	2	MD602074	22	6	ME700128	47	20
MD000523	5	16	MD602210	22	21	MF100055	9	5
MD000551	19	1	MD602227	23	16		34	5
	24	2		48	16	MF100064	4	15
	44	3	MD602264	23	6		28	16
	49	2		48	6	MF100065	29	16
MD000569	20	15	MD602783	23	15	MF100069	29	17
	45	9		48	15	MF100110	3	32
MD000612	7	17	MD602789	23	9	MF101253	45	12
	30	18		48	8	MF101259	20	9
MD000704	6	4	MD602797	23	14~16	MF101260	9	8
MD000963	8	22		48	14~16		34	8
	33	9	MD602826	23	13	MF101264	18	11
MD001370	19	3		48	13		43	11
	44	4	MD602938	23	5	MF101267	18	12
MD001402	16	1		48	5		41	16

NUMERICAL PARTS INDEX

Parts No.	Page	Key No.	Parts No.	Page	Key No.	Parts No.	Page	Key No.
MF101267	43	12	MF401936	5	13	MF520012	17	5
MF101268	16	15		20	12		42	5
	41	15		45	10	MF522010	8	30
MF101287	45	2	MF402565	4	19		33	17
MF101296	33	18		28	20	MF660031	14	14
MF101316	29	4	MF402635	2	25		40	5
MF106091	29	3		26	11	MF660036	17	8
MF106116	29	4	MF430004	14	23		42	8
MF140026	21	12		14	23	MF660042	15	29
	46	21		39	3		40	8
MF240031	18	6	MF430005	5	20	MF665511	2	19
	43	6		20	13	MF665512	26	12
MF240051	2	17		21	13	MF665538	2	8
	4	5		28	21		5	8
	4	16		46	13		29	7
	27	7	MF430126	6	10	MF665543	2	9
	28	5	MF430725	14	24		5	9
	28	17		14	24		26	8
MF240053	4	16		39	11	MH430419	17	2
MF240054	2	16	MF430726	8	29	MK66106000	14	14
	27	6		33	16		40	5
MF241222	14	20	MF430728	17	10	MK66112000	9	1
	39	14	MF430729	17	10	MK66114000	17	8
MF241224	14	21		42	10		34	1
	17	7	MF430731	30	11	MK99200001	14	1
	40	1	MF450006	33	20		39	6
	42	7	MF450010	6	11	MK99300140	14	2
MF241225	8	28	MF450011	30	12		39	5
	33	15	MF450405	14	25	MM100088	9	17
MF241226	14	21		14	25		34	17
	40	11		16	16	MM100089	9	16
MF241231	15	34		18	13		34	16
	40	12		21	14	MM104288	26	3
MF241236	43	4		28	22		26	19
MF241238	18	4		39	10	MM300152	12	7
MF241251	2	17		41	17		37	7
	8	12		43	13	MM314770	8	26
	21	11		46	14	MM317093	15	35
	32	11	MF450406	8	33		40	17
	46	11		21	4	MM330347	30	7
MF241255	21	12		33	19	MM344007	49	1~22
	28	18		46	4	MM400650	31	21
	46	12	MF450410	6	12	MM400651	31	21
MF241257	4	17	MF450411	30	13	MM400652	31	21
MF241261	20	10	MF472404	2	18	MM400653	31	21
MF241267	19	5		7	19	MM400886	9	18
	20	11		31	20		34	18
	44	1	MF472535	17	1	MM400889	13	12
MF241280	5	5		42	1		38	12
MF241282	21	2	MF472536	17	1	MM400955	9	12
	46	2		42	1		34	12
MF241308	3	30	MF476018	8	13	MM400956	9	13
	27	11		32	12		34	13
MF243628	9	14	MF476215	7	13	MM401080	14	3
	34	14		8	6		39	4
MF244823	14	22		30	14	MM401082	15	30
	39	17		32	5		39	20
MF244892	8	32	MF520002	14	26	MM401110	9	6
MF350769	23	12		15	26		12	1~8
	48	12		39	7	MM401205	28	13

NUMERICAL PARTS INDEX

Parts No.	Page	Key No.	Parts No.	Page	Key No.	Parts No.	Page	Key No.
MM401206	4	13	MM406420	28	6	MM407422	49	15
	24	21	MM406421	4	7	MM407455	43	1
	28	14		28	7	MM407655	46	6
	49	21	MM406570	6	7	MM408160	2	26
MM402381	8	17		30	8	MM408161	2	26
MM402547	6	5	MM406578	30	10	MM408162	2	26
MM402737	8	18	MM406600	6	1	MM408163	3	26
	33	5	MM406601	6	1	MM408169	2	11
MM402974	34	6	MM406602	6	1		26	10
	37	1~8	MM406603	6	1	MM408176	2	10
MM404316	5	12	MM406661	32	7	MM408200	2	12
MM404871	13	5	MM406685	8	11	MM408205	2	13
	38	5		32	10		24	15
MM404873	13	3	MM406722	8	5	MM408221	2	14
	38	3		32	4	MM408226	2	15
MM404874	13	4	MM406732	8	23		24	16
	38	4		33	10	MM408227	4	8
MM404875	13	6	MM406745	8	24	MM408235	4	10
	38	6		33	11		24	5
MM404877	13	13	MM406883	13	1, 2	MM408236	4	10
	38	13		38	1, 2	MM408240	3	29
MM404878	13	11	MM406960	34	9		27	10
	24	19	MM406962	34	10	MM408260	2	24
	38	11	MM406964	34	11		26	17
	49	20	MM407000	14	4	MM408321	4	4
MM404879	13	10		39	15		24	6
	38	10	MM407006	14	4	MM408394	5	6~9
MM404880	13	8		39	15	MM408441	5	7
	38	8	MM407010	14	5	MM408450	8	19
MM404881	13	9		39	19	MM408453	5	10
	24	20	MM407028	14	6		24	4
	38	9		39	18	MM408455	8	20
	49	19	MM407031	14	9	MM408470	5	4
MM404884	13	7		39	16	MM408481	5	11
	38	7	MM407035	14	10	MM408491	5	17, 18
MM405460	18	2		39	9	MM408501	5	19
	43	3	MM407124	16	12	MM408509	5	15
MM406217	2	6		24	13	MM408520	6	2
	26	5		41	12	MM408521	6	2
MM406228	2	2		49	13	MM408522	6	2
	24	11	MM407125	16	6	MM408523	6	2
	26	2		41	6	MM408536	5	2
	49	11	MM407145	16	9	MM408537	29	2
MM406235	2	3		41	9	MM408541	20	2, 3
MM406237	26	9	MM407170	17	1~5	MM408551	20	4
MM406241	27	3		42	1~5		24	7
	49	16	MM407171	17	4	MM408563	20	5
MM406242	2	4		42	4	MM408566	20	6
	27	1	MM407260	28	11		24	8
MM406254	26	18	MM407261	28	12	MM408576	20	8
MM406255	26	18		49	22		24	9
MM406256	26	18	MM407265	8	1	MM408580	24	10
MM406257	26	18	MM407305	45	5	MM408581	20	1
MM406264	27	4		49	8		45	8
MM406265	27	5	MM407314	45	3, 4		49	10
	49	17	MM407318	45	6	MM408590	20	14
MM406362	28	8	MM407402	43	5-9	MM408790	6	3~5
MM406416	28	10	MM407422	18	10	MM408795	6	6
	49	6		24	14	MM408796	6	6
MM406420	4	6		43	10	MM408797	6	6

NUMERICAL PARTS INDEX

Parts No.	Page	Key No.	Parts No.	Page	Key No.	Parts No.	Page	Key No.
MM408798	6	6	MM409365	16	18	MM412568	20	7
MM408811	6	8	MM409371	16	1~11	MM412569	45	11
MM408821	6	9		41	1~11	MM412572	29	15
MM408906	8	4	MM409372	16	7		49	5
MM408908	8	8		41	7	MM412573	29	13, 14
MM408920	8	21	MM409373	16	4	MM412625	28	1~3
MM408935	8	25		41	4	MM412636	4	1~3
MM408950	8	31	MM409381	19	9	MM412643	27	12
MM408964	8	9		44	9	MM412651	28	4
	32	8	MM409410	21	1		49	7
MM409094	9	9		22	1~22	MM412652	3	31
MM409095	9	10	MM409412	46	1	MM412662	27	2
MM409096	9	11		47	1~22	MM412671	3	27
MM409103	9	16~21	MM409419	46	20	MM412685	27	8
MM409125	34	4	MM409420	21	3	MM412700	27	9
MM409151	14	17		46	3	MM412720	29	18
	24	12	MM409422	45	13	MM412726	5	21
	40	7	MM409463	21	10	MM412750	30	2
	49	12	MM409510	21	16	MM412751	30	2
MM409167	14	13		46	17	MM412752	30	2
	40	6	MM409511	21	17	MM412784	30	2
MM409168	14	15		46	18	MM412860	30	4~7
	40	4	MM409515	21	18	MM412869	30	6
MM409169	14	16		46	19	MM412886	30	9
	40	2	MM409577	3	28	MM412935	7	16, 17
MM409181	14	8	MM409640	14	12~15		30	17, 18
	39	13		40	3~6	MM412980	30	1
MM409182	14	7	MM409645	2	1	MM412981	30	1
	39	12		26	1	MM412982	30	1
MM409186	14	19	MM409670	15	27	MM412983	30	1
	39	8		40	16	MM413032	32	3
MM409204	16	8	MM409671	15	28	MM413040	33	12
	41	8		40	18	MM413043	33	13
MM409213	14	12~15	MM409672	40	9	MM413050	33	6
	40	3~6	MM409675	21	19	MM413051	33	7
MM409216	17	9, 10		46	16	MM413060	33	3
MM409226	3	31	MM409686	15	32		49	3
MM409230	4	11		40	13	MM413101	34	19
MM409235	4	12	MM409718	4	9	MM413104	9	20
	24	22		28	9	MM413105	34	20
MM409237	14	11	MM409795	2	5~10	MM413107	9	21
	39	1	MM409847	9	2	MM413108	34	21
MM409241	32	1		10	1~30	MM413132	9	19
MM409244	16	5	MM409891	9	3	MM413142	9	15
	41	5		34	3		13	1~13
MM409302	18	5~9	MM409892	13	14		34	15
MM409311	19	6		38	14		38	1~13
	44	6	MM409893	16	13	MM413202	34	16~21
MM409314	18	9		41	13	MM413205	9	22, 23
	43	9	MM409894	16	14		34	22, 23
MM409326	18	7		41	14	MM413206	9	4
	43	7	MM409895	22	23	MM413225	34	2
	49	14	MM409897	23	19		35	1~31
MM409327	18	8		48	18	MM413235	34	2
	43	8	MM412522	29	5~8		35	1~31
MM409328	21	6	MM412540	29	9	MM413360	15	31
MM409334	19	2		49	4		40	15
	44	5	MM412561	29	6	MM413362	15	33
MM409336	19	7, 8	MM412565	45	7		40	14
	44	7, 8		49	9	MM413740	44	10, 11

NUMERICAL PARTS INDEX

Parts No.	Page	Key No.	Parts No.	Page	Key No.	Parts No.	Page	Key No.
MM413741	19	10, 11	MM500229	35	7	MM501162	35	15
MM413829	46	10	MM500230	10	10	MM501200	10	6
MM413863	2	5~10		35	10	MM501211	35	6
MM430113	2	11	MM500231	10	14	MM501240	12	2
	26	10		35	14		37	2
MM430156	29	19	MM500299	10	21	MM501244	10	17
MM430168	29	5~8		35	21		35	17
MM430176	17	9, 10	MM500309	10	21	MM501246	10	21
MM430178	42	9, 10		35	21		35	21
MM430186	26	4~9	MM500310	10	21	MM501247	36	22
MM430300	34	9		35	21	MM501256	11	26
MM430302	34	10	MM500311	10	21		36	26
MM430304	34	11		35	21	MM501257	11	27
MM430419	42	2	MM500312	10	21	MM501258	11	27
MM430598	17	1~5		35	21	MM501259	11	27
	42	1~5	MM500314	10	21	MM501260	11	27
MM430613	2	3		35	21	MM501261	11	27
MM430614	9	13	MM500315	10	21	MM501270	36	28
	34	13		35	21	MM501271	36	28
MM430703	9	12	MM500316	10	12	MM501272	36	28
	34	12		35	12	MM501273	36	28
MM430859	6	7	MM500336	10	4	MM501274	11	28
	30	8		35	4		36	28
MM431601	6	1	MM500360	10	9	MM501275	11	28
MM431602	6	1		35	9		36	28
MM431603	6	1	MM500403	10	19	MM501276	12	1
MM431604	6	1	MM500429	11	30	MM501311	10	11
MM431717	41	20		36	30		35	11
MM431777	16	19	MM500431	11	23	MM501312	10	1
MM432044	5	2		36	23	MM501320	10	19
MM432045	24	18	MM500438	10	13	MM501364	10	21
MM432509	30	2		35	13		35	21
MM433046	6	2	MM500442	35	19	MM501365	10	21
MM433047	6	2	MM500507	11	25		36	21
MM433048	6	2		36	25	MM501382	36	26
MM433049	6	2	MM500785	12	3	MM501386	11	28
MM433050	6	1	MM500786	12	3		36	28
MM433051	6	1	MM500787	12	3	MM501387	11	28
MM433052	6	1	MM500795	12	3	MM501388	11	28
MM433053	6	1	MM500796	12	3	MM501395	11	28
MM433905	30	2	MM500797	12	3	MM501396	11	28
MM433906	30	2	MM500798	12	3	MM501397	11	28
MM433907	30	2	MM500799	12	3	MM501404	35	1
MM433921	30	1	MM500908	12	8	MM501405	37	1
MM433922	30	1		37	8	MM501411	37	3
MM433923	30	1	MM500928	11	24	MM501412	37	3
MM433924	30	1		36	24	MM501413	37	3
MM434004	24	1~23	MM501045	35	18	MM501414	37	3
MM434136	18	1	MM501046	10	5	MM501415	37	3
MM500114	10	20	MM501073	10	22	MM501416	37	3
	35	20	MM501076	35	5	MM501417	37	3
MM500135	12	5	MM501077	10	16	MM501418	37	3
	37	5		35	16	MM501419	37	3
MM500136	12	4	MM501098	10	8	MM501420	37	3
	37	4		35	8	MM501421	37	3
MM500137	12	6	MM501152	10	18	MM501422	37	3
	37	6		35	18	MM501425	11	29
MM500224	10	2	MM501161	10	3	MM501429	36	22
	35	2		35	3	MM501432	36	29
MM500229	10	7	MM501162	10	15	MM501496	11	31

NUMERICAL PARTS INDEX

Parts No.	Page	Key No.	Parts No.	Page	Key No.	Parts No.	Page	Key No.
MM501496	36	31	MS471104	2	20			
MM501497	36	27		26	13			
MM501498	36	27	MS471105	2	21			
MM501499	36	27		26	14			
MM501500	36	27	MS471110	2	22			
MM501501	36	27		26	15			
MM501507	10	2	MS602063	9	22			
	35	2	MS660163	9	23			
MM501569	36	28		19	11			
MM501570	36	28		34	23			
MM501571	36	28		44	11			
MM501572	36	28	MS660164	19	8			
MM501573	36	28		44	8			
MM501574	11	28	MS661120	5	14			
	36	28		16	11			
MM501575	11	28		29	12			
	36	28		41	11			
MM501576	11	28	MS661121	2	23			
	36	28		3	33			
MM501577	11	28		16	10			
MM501578	11	28		26	16			
MM501579	11	28		41	10			
MM501580	11	28	MS661122	26	3			
MM502298	23	8, 9	MS661123	4	20			
	48	7		28	23			
MM502299	23	10	MS661140	5	14			
	48	9		29	12			
MM502329	22	3	MS661141	2	23			
MM502331	22	5		26	16			
MM502332	22	7						
MM502333	22	8						
MM502334	22	9						
MM502335	22	10						
MM502340	23	1						
	48	1						
MM502341	22	17						
MM502342	22	18						
MM502346	22	22						
MM502347	22	11						
MM502395	22	12						
MM502396	22	13						
MM502397	22	19						
MM502398	22	2						
MM502436	47	2						
MM502438	47	11						
MM502439	47	12						
MM502440	47	18						
MM502441	47	5						
MM502442	47	14						
MM502443	47	16						
MM502444	47	22						
MM502461	22	6						
MS401434	4	18						
	28	19						
MS450035	16	17						
	18	14						
	21	15						
	41	18						
	43	14						
	46	15						

NUMERICAL PARTS INDEX

Parts No.	Page	Key No.	Parts No.	Page	Key No.	Parts No.	Page	Key No.
A030 0108 020	161	15	A055 0110 050	181	19		117	5
A040 0106 025	118	19	A055 0110 060	91	34		129	17
A040 0110 020	88	9	A055 0110 070	96	37		181	14
A040 0112 035	179	4	A055 0110 080	67	27		184	14
A040 0114 020	76	10		69	24	A303 0112 001	73	9
A040 0114 030	139	20	A055 0110 100	131	10		74	8
	143	7	A055 0110 130	135	15	A303 0112 002	97	19
A040 0114 035	177	29	A055 0112 055	74	14		102	28
	183	15	A055 0116 050	176	5		110	28
A042 0114 025	111	4	A055 0116 070	143	8		180	3
	111	9		180	9	A303 0114 001	127	6
	112	4	A073 0124 003	185	2		131	6
	112	9	A080 0110 001	101	21	A303 0114 002	93	16
	113	4		105	44		99	3
	113	9		108	21		106	3
	113	18	A080 0110 002	108	21		127	6
	114	4	A112 0112 020	74	5	A303 0114 003	138	7
	114	12		74	5	A303 0116 001	113	16
	115	4	A140 0600 812	76	20		143	14
	116	3	A140 0600 820	58	26	A303 0116 002	112	16
A042 0114 030	111	15		61	10		180	11
	114	17		65	10	A303 2112 002	97	18
A044 0106 055	150	16	A222 0103 008	170	7	A304 0114 001	176	4
	154	6	A232 0103 030	166	18	A304 0114 002	99	14
	158	6	A242 0105 020	170	10		106	19
A044 0114 045	136	16	A300 0105 001	170	20	A304 0116 001	176	7
A045 0114 065	100	23	A300 0106 001	71	22	A304 0120 001	130	20
	106	18		150	15	A304 0122 002	132	19
A050 0108 012	163	14 a		154	4	A313 0101 001	97	11
A050 0108 016	94	10		158	4		97	23
A050 0108 020	88	17		164	30		102	19
A050 0108 020	165	32	A300 0106 002	63	9	A313 0101 001	104	28
A050 0108 030	89	30	A300 0110 003	166	11		109	19
	124	28	A300 0112 001	88	21	A313 0101 201	98	28
	125	11	A301 0108 001	60	20		103	32
A050 0108 060	154	23		68	20		105	38
	158	23		124	29		110	32
A050 0112 030	180	6		125	5	A313 0101 601	101	7
A052 0010 020	121	12		139	19		104	5
A052 0110 020	71	24		141	18		108	7
	114	9		144	28	A327 0102 000	85	9
A052 0110 025	146	10		147	22	A327 0102 500	77	9
	148	17		149	22		84	16
	152	15		152	20		85	20
	156	17		156	22		94	22
A052 0110 040	95	25	A301 0108 002	89	31	A330 0100 800	60	8
A052 0112 020	74	5		102	13	A360 0100 502	170	19
A052 0112 030	74	14 a		109	13	A360 0100 602	150	14
A052 0112 060	180	2		184	3		154	3
A052 0114 030	112	18		184	20		158	3
	115	10	A301 0108 003	145	5	A360 0100 802	58	27
	116	9		161	8		60	9
A054 0108 030	102	12	A303 0106 002	118	20		60	21
	109	12	A303 0110 001	53	12		61	11
	138	10		71	25		65	11
A054 0108 045	182	3		74	7		76	21
A054 0108 090	183	14		124	30		89	28
A054 0108 110	90	9		144	30		102	14
A054 0112 080	88	20	A303 0110 002	95	26		109	14
A054 0112 090	90	9 a		114	10		130	23

NUMERICAL PARTS INDEX

Parts No.	Page	Key No.	Parts No.	Page	Key No.	Parts No.	Page	Key No.
	135	8		131	5		106	18
	147	23		136	17	F1030-08025	160	10
	149	23		140	36	F144 0106 012	70	9
	152	21		143	6		71	20
	155	26		177	30		101	11
	156	23	A360 0101 602	112	17		104	9
	159	29		113	17		108	11
	160	11		176	6		178	4
	161	14		180	10	F144 0106 030	154	11
	168	16	A360 0102 002	129	19		158	11
	169	20	A360 0102 202	132	18	F144 0106 035	146	6
	182	4	A600 0201 000	76	7		148	6
	183	16		93	4		152	6
A360 0101 002	59	23		136	18		156	6
	67	28		149	29	F144 0106 045	146	5
	69	25		152	22		148	4
	71	29		157	29		152	4
	74	9		182	2		156	4
	91	35	A601 0101 000	76	17	F144 0106 055	150	16
	95	6		122	23		154	6
	96	38	A601 0101 300	135	4		158	6
	99	6		136	19	F154 0108 016	74	3
	101	20	A650 0100 600	97	15		92	14
	105	45		97	15 ^a		119	24
	106	6		98	25		124	26
	108	20		102	21		125	20
	114	11		105	32		137	27
	122	37		109	21		150	13
	131	14	A650 0600 600	98	30		153	27
	132	14		103	34		154	21
	134	27		105	41		157	33
A360 0101 002	135	16	A650 0600 600	110	34	F154 0108 016	158	21
	181	15	A650 3100 300	99	9	F154 0108 020	59	13
A360 0101 202	73	10		106	9		67	21
	74	10		178	18		68	18
	90	10	A651 0600 600	102	26		71	26
	97	9		109	26		74	17
	179	5	A651 3100 300	99	13		76	15
	180	7		106	13		77	3
A360 0101 402	76	11	A651 3100 600	97	16		95	19
	93	17	A651 3600 300	93	13		139	14
	99	4		123	17		141	13
	106	4	A954 0110 060	101	19		183	3
	111	5		105	43		183	22
	111	10		108	19	F154 0108 025	76	15 ^a
	111	16	F1025-06012	167	35		94	23
	112	5	F1025-08022	130	22	F154 0108 035	76	16
	112	10	F1025-14025	111	4	F154 0108 045	138	10
	112	19		111	9		138	12
	113	5		112	4	F154 0108 050	146	18
	113	10		112	9		148	20
	113	19		113	4		152	18
	114	5		113	9		156	20
	114	13		113	17	F154 0108 060	154	23
	114	18		114	4		158	23
	115	5		116	3	F154 0112 035	74	6
	115	9	F1025-1403	111	15		76	3
	116	4	F1025-14030	114	12		179	4
	116	8		114	17	F155 0110 016	181	7
	127	5	F1025-14065	100	23	F155 0110 020	53	17

NUMERICAL PARTS INDEX

Parts No.	Page	Key No.	Parts No.	Page	Key No.	Parts No.	Page	Key No.
F155 0110 025	67	19	F4610-10000	154	12		149	26
	68	16		158	12		157	26
	90	20	F5005-13000	135	4	0050 1100 360	146	14
	93	14		136	19		148	11
	95	4	F5010-35000	97	6		152	11
F155 0110 030	93	5	F5010-45000	178	17		156	11
	96	33	H104 0106 016	72	32	0050 1100 430	57	17
	121	15	H114 0108 016	57	5	0050 2108 083	164	20
	127	11	H144 0106 012	92	9		164	20
	131	12	H144 0106 014	92	10	0050 2110 083	54	21
	181	4	H144 0106 016	92	10	0050 3112 506	53	18
F155 0110 035	90	17	H154 0108 016	54	22	0328 0102 001	85	10
F155 0110 045	135	2		61	15	0328 0102 501	77	8
F155 0110 050	181	5		62	3		84	17
F155 0112 025	97	7		63	19		85	21
F155 0112 030	93	18		63	19		94	21
	99	2		65	1	03476-92000	71	15
	106	2		70	5	0350 0120 512	170	11
F155 0112 035	74	13		70	5	0350 0130 613	63	8
	93	22		73	7		75	24
	100	25		139	7		164	29
	107	25		141	6		164	29
F155 0112 040	74	4		143	24	0350 0130 615	126	24
F1610-04010	167	33		163	14	0350 0130 815	117	11
F2005-12035	74	6		184	26		123	22
F2300-08000	165	44	H154 0108 020	53	15		139	18
F2300-10000	165	45		53	15		141	17
F2300-20000	130	20		57	13		142	37
F2500-10000	165	46		60	19		143	21
F2500-24000	124	25		67	20		154	22
F2515-06000	167	36		68	17		158	22
F2515-08000	130	23	H154 0108 020	71	14	0350 0130 815	183	17
F2515-10000	165	47		71	31		184	7
F2515-20000	129	19		120	3		184	17
F2525-08000	165	43		121	5		184	22
F2855-06035	75	23		143	13	0350 0130 820	124	23
F2855-08025	123	15 a	H154 0108 025	58	23		169	27
	125	7		71	13	0350 0140 022	71	28
F2870 07028	104	14		126	23	0350 0140 618	70	10
F2870-07028	101	15	H154 0108 030	124	27		71	21
	108	15	H155 0110 020	73	4	0350 0140 818	58	28
F300 0105 001	163	15	H155 0110 025	67	29		60	22
	163	15		69	26		61	16
F300 0106 001	71	18		73	3		65	9
	168	6	H155 0110 030	60	18		124	22
F301 0108 001	62	13		119	2		124	31
	65	7		121	15		125	8
	67	23	H155 0110 050	181	9		125	12
	71	16	H242 0104 010	52	9		143	26
	122	22	H242 0106 016	170	16		165	36
	136	1	H242 0106 020	169	25		184	4
	164	18	SA91 1838 000	123	14	0350 0141 022	59	22
	165	33		125	6		68	15
	183	18	SA92 2079 000	120	4		124	24
F303 0110 001	146	11		121	10		144	31
	148	18		121	18		184	11
	152	16	SF28 5508 025	123	15	0350 0150 822	67	22
	156	18		123	15 b		68	19
F4202-10000	154	13		125	7		89	27
	158	13	0050 1100 200	149	26	0350 0151 026	66	18

NUMERICAL PARTS INDEX

Parts No.	Page	Key No.	Parts No.	Page	Key No.	Parts No.	Page	Key No.
	73	14		103	33		184	10
0350 0151 226	73	11		105	42	05642-00400	101	14
	136	8		110	33		104	13
	139	15	0520 0140 036	176	13		108	14
	139	15		177	31	05946-01000	121	13
	141	14		178	16	0690 0012 360	120	6
	141	14		178	23		121	9
0350 0151 430	66	5	0520 0140 040	101	8	0691 0012 250	122	26
	127	4		104	6	0730 0004 202	77	27
	131	4		108	8	0730 0004 204	77	27
0350 0151 632	101	6		177	31	0730 0004 206	78	27
	104	4		178	16	0730 0004 216	78	33
	108	6		178	23	0730 0004 702	82	30
	143	9	0521 0106 000	62	7	0730 0004 704	82	30
	176	12		63	17	0730 0004 708	82	30
	176	15		117	12	0730 0006 201	79	10
	178	15	0521 0108 000	117	10		80	10
	178	22		117	10		81	10
0350 0160 826	65	8	0521 0110 000	66	17	0730 0006 204	79	10
	67	24		68	14		80	10
	69	21	0521 0112 000	125	4		81	10
	71	27	0540 1006 028	92	5	0730 0006 208	79	10
0350 0161 032	117	3	0540 1010 018	74	11		80	10
0350 0161 230	126	29		76	4		81	10
0350 0161 436	127	4		90	5	0731 0001 504	88	24
	131	4		119	14	0731 0001 512	88	24
0370 0108 000	164	19		135	5	0731 0002 504	95	12
0371 0110 000	166	12	0540 1110 020	131	13	0731 0002 508	95	12
0432 1104 008	66	8	0550 0003 020	118	17	0731 0002 510	95	12
0432 1104 012	168	13		139	10	0731 0002 512	95	12
0520 0116 012	75	25		141	9	0731 0002 516	78	28
0520 0116 012	138	6	0550 0004 016	140	37	0731 0003 001	95	9
0520 0120 015	123	20		142	38	0731 0003 004	95	9
	125	13	0550 0005 025	120	8	0731 0003 008	95	9
0520 0120 016	123	20		122	25	0731 0003 010	95	9
	125	13		125	2	0731 0003 012	95	9
0520 0125 015	126	25	0550 0005 028	140	29	0740 0101 800	80	25
	139	6		142	27		81	25
	141	5	0550 0005 032	80	21	0740 0102 000	122	31
0520 0125 016	126	25		81	21		181	8
	139	6		119	17	0740 0102 200	90	24
	141	5	0550 0006 022	178	11		121	7
	143	22	0550 0006 025	119	8	0740 0102 400	96	39
	184	8		122	28	0740 0102 500	80	3
	184	18	0550 0006 030	88	10		81	3
	184	23	0550 0006 040	88	10		84	20
0520 0125 018	97	12		94	11		85	4
	98	24	0550 0008 016	140	25		85	6
	102	20		141	23		85	13
	104	29	0550 0008 040	123	18		95	27
	109	20	05534-10000	96	40		123	21
0520 0125 020	67	30	05534-12000	76	13	0740 0102 800	83	1
	117	8	05534-14000	91	36	0740 0103 000	79	11
	123	19	05605-02215	75	22		79	17
	125	9	05605-02525	97	3		80	8
0520 0130 015	118	18	05605-05030	95	22		81	8
0520 0130 016	118	18	0561 0106 030	138	5		90	30
0520 0130 020	144	32	0562 0106 020	62	6	0740 0103 200	77	11
	184	12		63	16	0740 0103 500	77	26
0520 0130 025	98	29	0562 0110 025	144	33		85	18

NUMERICAL PARTS INDEX

Parts No.	Page	Key No.	Parts No.	Page	Key No.	Parts No.	Page	Key No.
0740 0104 000	90	8		84	8		153	25
	135	14	0750 0263 060	90	19		154	7
0740 0104 800	90	3	0750 0562 054	78	29		157	32
0740 0105 000	90	11	0750 0563 044	181	10		158	7
0740 0106 000	86	4	0760 0051 106	95	21	0830 0100 250	77	5
0741 0101 600	119	5	0770 0032 206	80	18		93	20
0741 0102 000	92	4		81	18		99	11
0741 0102 600	84	21	0770 0033 205	80	11		101	16
0741 0103 200	134	25		81	11		104	15
0741 0105 200	81	26	0770 0130 205	77	4		106	11
	85	2		94	18		108	16
	119	10	0770 0132 206	80	18		146	19
	181	12		81	18		148	21
0741 0106 200	77	23	0770 0133 205	80	11		152	19
	79	2		81	11		156	21
	80	9	0780 2162 220	82	32	0830 0100 260	121	6
	81	9	0780 2182 417	80	23	0830 0100 280	119	22
	83	13		81	23	0830 0100 300	90	31
	84	7	0780 2202 617	77	10	0830 0100 380	101	13
0741 0106 300	132	28	0780 2283 317	83	3		104	12
0741 0107 200	90	18	0780 2303 520	83	10		108	13
	95	20	0780 2354 017	80	16	0830 0100 420	146	16
0741 0109 000	90	12		81	16		148	8
0742 0001 200	88	23	0780 2354 220	85	15		152	8
0742 0100 800	140	30	0780 2404 527	77	13		156	8
	142	28	0800 0000 300	137	32	0830 0100 600	136	22
	143	16	0800 0000 900	119	11	0830 0110 170	75	26
	184	15		120	5	0830 0120 400	135	11
0742 0100 900	59	23 a		121	11	0830 0200 250	94	24
0742 0101 000	66	6		121	17	0830 0200 300	84	13
	136	7		122	27	0830 0200 500	132	22
0742 0101 200	125	14	0800 0001 100	136	14	0830 0220 600	132	11
0742 0101 500	143	4	0810 0052 052	82	27	0830 0500 160	145	15
0743 0101 000	68	5 c	0810 0052 062	84	11	0830 0500 300	132	6
0746 1002 100	82	29	0830 0100 070	153	28	0830 0500 600	94	15
0746 1005 000	86	13		157	34	0830 0500 700	134	14
0750 0060 070	77	24	0830 0100 080	134	18	0830 0500 750	96	32
0750 0060 100	94	12	0830 0100 110	88	25	0830 0501 450	95	7
0750 0060 120	89	29	0830 0100 120	161	16	0830 0501 500	93	6
0750 0062 050	85	3		182	6	0830 0550 300	132	26
	101	4		183	20	0830 1100 060	136	20
	104	2	0830 0100 140	154	14		162	5
	108	4		158	14	0830 1100 080	76	18
0750 0062 100	90	13	0830 0100 160	122	33	0830 1100 100	136	12
0750 0063 040	85	8		183	19	0830 1100 120	136	2
	95	17	0830 0100 180	90	23		138	2
	101	5		120	9		145	8
	104	3		121	2		162	3
	108	5		133	10	0830 1100 140	136	11
0750 0063 050	80	4		146	4		162	14
	81	4		148	5	0830 1100 240	161	13
	83	12		152	5	0830 1200 650	136	21
	84	22		156	5	0833 0000 800	93	8
	95	11		161	10		95	15
0750 0063 055	84	1	0830 0100 200	120	13	0833 0001 200	74	2
0750 0063 060	95	8		154	15	0833 0001 600	146	21
0750 0063 080	90	7		158	15		151	17
0750 0262 060	79	9	0830 0100 240	97	4		154	24
0750 0263 040	96	34		149	32		158	24
0750 0263 050	79	3		150	7	0840 0040 525	82	31

NUMERICAL PARTS INDEX

Parts No.	Page	Key No.	Parts No.	Page	Key No.	Parts No.	Page	Key No.
0840 1012 227	139	23	1007 0656 OCO	93	9		56	1~9
	141	21	1007 1016 000	74	2	1021 0301 OK1	55	1~9
0840 1025 388	123	16		74	2	1021 0301 OK2	55	1~9
0840 1035 529	94	19	1007 1205 000	82	28	1021 0302 OK0	56	1~5
0840 1040 528	77	7	1007 2222 000	123	10	1021 0302 OK1	55	1~5
0841 1507 212	90	33	1007 2858 000	164	17	1021 0311 OK0	55	1
0841 2355 212	95	2		164	17		56	1
0841 2579 013	90	14	1007 8011 000	185	6	1021 0311 OK1	55	1
08452-20000	62	19	1007 8013 000	185	5	1021 0312 OK0	55	2
08542-12035	175	10	1007 8022 000	185	8		56	2
0891 0006 140	114	2	1007 8024 000	185	7		56	11
0980 1001 501	171	24	1015 0203 000	76	6	1021 0313 OK1	55	6
0980 1002 001	171	27	1019 0228 000	118	15		56	6
1003 2409 OCO	140	28	1019 0611 000	94	3	1021 0313 OK2	55	6
	142	26	1019 1414 000	94	6		56	6
1003 2415 000	139	24	1019 1415 000	94	7	1021 0315 OK0	55	7
	141	22	1019 1416 000	94	8		56	7
1003 2416 001	138	1	1019 2114 000	130	24	1021 0315 OK1	55	7
	145	1	1019 2116 000	129	9		56	7
1003 2419 000	138	4	1019 2117 000	129	16		56	16
	138	4	1019 2121 000	127	9	1021 0321 OK0	55	8
1003 2419 001	138	4	1019 2279 000	71	17	1021 0321 OK1	55	8
	138	4	1019 2429 OCO	142	36		56	8
1003 2422 000	138	9	1019 2447 000	139	3		56	17
1003 2424 OCO	139	13		141	2	1021 0411 000	57	1~5
	141	12	1019 2519 101	62	21	1021 0413 000	57	6
1003 2426 000	139	16	1019 2545 OC1	127	10	1021 0417 000	57	10
	141	15	1019 2599 601	169	24	1021 0516 OCO	59	9
1003 2427 OCO	139	17	1019 2822 001	168	5	1021 0516 OC1	59	9
	141	16	1019 2824 000	169	22	1021 0517 OCO	59	10
1003 2428 OCO	139	21	1019 2840 000	163	5	1021 0518 000	59	11
1003 2428 OCO	141	19	1019 2840 000	166	1~3	1021 0519 000	59	12
1003 2429 OCO	142	36	1019 2840 001	163	5		60	10
	184	16		166	1~3	1021 1051 OCO	74	1
1003 2431 OCO	142	35	1019 2841 000	166	1	1021 1051 OC1	74	1
	184	21	1019 2842 001	166	3	1021 1110 000	74	15
1003 2433 000	144	27	1019 2842 002	166	3	1021 1115 001	75	18
	184	5	1019 2849 000	163	7	1021 1115 002	75	18
1003 2447 001	139	2	1019 2881 000	164	23~25	1021 1116 001	75	19
	141	1	1019 5402 OCO	181	16	1021 1117 OC2	75	20
1003 2448 000	139	5	1019 5421 000	181	13	1021 1119 000	75	22
	141	4	1019 5422 000	181	18	1021 1211 OCO	76	1
1006 8011 000	185	10	1021 0101 OCO	52	1~9	1021 1215 000	77	25b
1007 0012 000	163	16	1021 0101 OC1	52	1~9	1021 1221 000	77	17
	163	16	1021 0101 OC2	52	1~9	1021 1222 000	77	12
1007 0552 OCO	92	2~4	1021 0102 OCO	52	1a~9	1021 1223 000	77	2
1007 0552 100	92	2	1021 0102 OC1	52	1a~9	1021 1224 000	77	6
1007 0552 200	92	3	1021 0102 OC2	52	1a~9	1021 1225 000	77	19
1007 0553 000	92	6	1021 0113 000	52	2, 3	1021 1226 000	77	22
1007 0553 001	92	6	1021 0114 000	53	11	1021 1233 001	79	5
1007 0554 OC1	92	7	1021 0114 001	53	11	1021 1234 000	79	7
1007 0556 OC1	92	8		65	6	1021 1235 000	79	6
1007 0560 000	92	12	1021 0202 OK0	55	1~5	1021 1235 001	79	6
1007 0605 000	94	16	1021 0211 OT1	117	1	1021 1236 000	79	15
1007 0605 100	94	16	1021 0214 000	117	6	1021 1237 000	79	12
1007 0605 200	94	16	1021 0221 002	117	14	1021 1238 000	79	14
1007 0618 000	94	13	1021 0222 OC1	118	16	1021 1241 001	83	8
1007 0618 100	94	13	1021 0253 000	117	13	1021 1243 000	83	4
1007 0618 200	94	13	1021 0301 OK0	55	1~9	1021 1243 001	83	4
1007 0638 OCO	95	18		56	8	1021 1245 000	83	6

NUMERICAL PARTS INDEX

Parts No.	Page	Key No.	Parts No.	Page	Key No.	Parts No.	Page	Key No.
1021 1245 001	83	6	1021 1433 001	88	14	1021 2116 0C0	93	1
1021 1246 000	83	2	1021 1435 000	88	15	1021 2117 0C0	95	13
1021 1251 000	80	20	1021 1436 000	88	15	1021 2118 0C0	95	24
	81	20	1021 1437 000	88	15	1021 2119 0C0	95	3
1021 1252 000	80	24	1021 1438 000	88	16	1021 2120 000	96	31
	81	24	1021 1451 0C1	88	19	1021 2121 0C0	94	17
1021 1259 000	76	8	1021 1451 0C2	88	19	1021 2123 000	95	10
1021 1261 000	85	5	1021 1511 0C0	90	1	1021 2124 000	95	16
1021 1263 000	85	19	1021 1512 0C0	90	2	1021 2125 000	96	28
1021 1264 001	85	14	1021 1515 000	91	37	1021 2125 001	96	28
1021 1265 000	85	16	1021 1516 000	91	38	1021 2128 0C0	97	1
1021 1266 001	85	17	1021 1519 000	91	39	1021 2128 0C1	97	1
1021 1267 000	85	1	1021 1521 000	90	4	1021 2129 0C0	97	2
1021 1268 000	85	7	1021 1522 000	90	32	1021 2129 0C1	97	2
1021 1273 000	80	5	1021 1523 000	91	40	1021 2130 000	94	1~11
1021 1274 001	80	7	1021 1524 0C1	90	16	1021 2131 000	94	1
	81	7	1021 1525 000	90	15	1021 2132 000	94	2
1021 1275 000	80	6	1021 1526 000	90	6	1021 2134 000	94	4
	81	6	1021 1701 0C1	119	15~17	1021 2135 000	94	5
1021 1276 000	81	5a	1021 1711 0C0	119	1	1021 2138 100	94	8
1021 1282 001	80	13	1021 1712 000	119	3	1021 2138 200	94	8
	81	13	1021 1713 000	119	4	1021 2141 000	94	14
1021 1283 001	80	14	1021 1715 000	119	7	1021 2142 0C1	97	17
	81	14	1021 1716 000	119	9	1021 2143 001	93	12
1021 1284 000	80	12	1021 1717 0C1	119	15	1021 2147 0C0	93	11
	81	12	1021 1731 0C0	120	7	1021 2151 0C0	97	1
1021 1287 000	85	11	1021 1733 0C0	120	1	1021 2171 000	94	20
1021 1288 000	80	15	1021 1751 0C0	120	12	1021 2201 0J1	127	1
	81	15	1021 1752 0C0	120	11		128	1~25
1021 1289 001	76	5	1021 1753 0C1	120	10	1021 2201 0J2	127	1
1021 1289 002	76	5	1021 1774 000	122	34		128	1~25
1021 1293 000	84	9	1021 1775 000	122	35	1021 2201 0J3	127	1
1021 1311 000	84	15	1021 1786 001	119	21		128	1~25
1021 1313 000	84	12	1021 1791 000	147	21	1021 2202 000	128	2~6
1021 1314 000	84	14		151	17	1021 2202 001	128	2~6
1021 1401 001	87	1~10		154	24	1021 2203 000	129	8
1021 1401 002	87	1~10		158	24	1021 2203 001	129	8
1021 1402 001	87	1~11	1021 1792 0C0	119	23	1021 2203 002	128	8
1021 1402 002	87	1~11	1021 1811 0C0	123	1	1021 2204 000	129	15
1021 1411 000	87	1	1021 1812 001	123	2	1021 2204 110	129	14
1021 1412 000	87	2	1021 1813 0C0	123	3	1021 2204 120	129	14
1021 1412 001	87	2	1021 1814 000	123	4	1021 2205 0J0	131	1
1021 1413 000	87	3	1021 1815 0C1	123	5	1021 2206 000	134	32, 33
1021 1413 001	87	3	1021 1816 0C1	123	6	1021 2207 000	134	32
1021 1414 000	87	4	1021 1817 0C2	123	7	1021 2208 000	134	29
1021 1415 000	87	5	1021 1817 0C3	123	7	1021 2211 0J0	127	2
1021 1415 001	87	5	1021 1818 000	123	8	1021 2211 0J2	127	2
1021 1416 000	87	6		125	3	1021 2212 0J2	131	2
1021 1416 001	87	6	1021 1819 000	123	9	1021 2213 0C2	131	11
1021 1416 100	87	6		125	10	1021 2214 0C1	131	15
1021 1416 200	87	6	1021 1821 000	123	14	1021 2215 0C0	131	9
1021 1417 000	87	7		125	6	1021 2221 000	129	11
1021 1418 000	88	8	1021 1915 0C0	92	13	1021 2221 001	129	11
1021 1418 001	88	8	1021 2001 0C0	99	7a, 8	1021 2411 0C0	135	1
1021 1421 001	88	11a	1021 2002 0C0	104	18~26	1021 2412 000	137	24
1021 1421 002	88	11a	1021 2004 0C0	104	1~11	1021 2416 000	136	4
1021 1422 001	88	11	1021 2022 0C0	104	18	1021 2416 001	136	4
1021 1422 002	88	11	1021 2027 0C1	104	11	1021 2417 001	135	7
1021 1431 000	88	12	1021 2105 0C1	93	2, 3	1021 2418 0C0	135	13
1021 1432 000	88	13	1021 2115 0C3	93	2	1021 2421 000	135	12

NUMERICAL PARTS INDEX

Parts No.	Page	Key No.	Parts No.	Page	Key No.	Parts No.	Page	Key No.
1021 2423 000	140	34	1021 2648 OCO	62	18	1119 0621 000	93	10
	142	32	1021 2663 OCO	62	10	1119 0686 000	102	16~21
1021 2424 OCO	139	22	1021 2664 OG3	63	10		109	16~21
	141	20	1021 2664 OG4	63	10	1119 0686 OCO	97	20~25
1021 2425 001	138	3	1021 2669 ONO	63	2	1119 0687 OCO	97	21~26
1021 2426 000	140	27	1021 2671 000	61	6	1119 0693 000	97	13
	141	25	1021 2673 000	61	14		97	22
1021 2427 OCO	139	11		73	13		102	18
	141	10	1021 2676 000	61	12		109	18
1021 2428 OCO	140	31	1021 2677 000	61	13	1119 0694 000	97	14
	142	29	1021 2679 OCO	63	3		97	21
1021 2429 OC3	139	8	1021 2724 000	173	6a		102	17
	141	7	1021 2916 000	168	8~11		109	17
1021 2431 OC1	143	23	1021 2916 120	168	9	1120 2130 000	127	3
	184	24	1021 2916 130	168	10		131	3
1021 2433 001	140	33	1021 2916 140	168	11	1120 2130 300	127	8
	142	31	1021 2917 000	168	12		131	8
1021 2435 001	138	8	1021 2918 000	165	38	1120 2130 400	127	7
1021 2437 OCO	138	11	1021 2921 120	168	4		131	7
	145	9~16	1021 2923 000	168	7	1135 0104 200	52	8
1021 2437 1CO	145	16	1021 3026 OCO	139	1	1135 1313 000	77	4
1021 2438 000	139	4	1021 3111 OCO	179	1	1135 1406 000	94	9
	141	3	1021 3513 OT1	73	2	1135 1801 000	88	22
1021 2511 000	146	3	1021 3513 OT2	73	2	1135 1804 OCO	89	26
	160	1	1021 3514 OT2	73	1	1135 2426 000	140	26
1021 2513 OCO	146	12	1021 3515 OT1	73	6		141	24
	148	19	1021 3521 OGO	70	11	1135 2474 000	147	24
	152	17	1021 3522 OG1	70	6		148	13
	156	19	1021 3522 OG2	70	6		150	9
1021 2521 OCO	150	8	1021 3523 OGO	71	12		153	29
	154	5	1021 3524 000	70	7		154	17
1021 2521 OCO	158	5	1021 3525 001	73	12	1135 2474 000	156	13
	161	1~16	1021 6000 OC1	183	1~20		158	17
1021 2521 110	161	4	1021 6001 OC1	183	5	1135 2706 000	172	21
1021 2521 120	161	6	1021 6002 OC1	183	2		173	21
1021 2521 130	161	7	1021 6003 OCO	183	6	1135 2804 100	164	24
1021 2521 140	161	9	1021 6004 000	183	7	1135 2804 200	164	25
1021 2521 150	161	11	1021 6005 001	183	8	1135 3015 000	94	20
1021 2523 000	154	20	1021 6006 000	182	5	1135 3016 000	95	12
1021 2523 OCO	150	12		183	9	1135 3903 000	185	9
	158	20	1021 6007 000	183	10	1135 3908 000	185	4
1021 2529 001	149	25	1021 6009 000	183	4	1142 1607 000	76	14
	149	25	1021 6020 OC1	183	5~22	1142 2881 001	163	9~11
	157	25	1021 6040 000	182	1~6	1142 2881 111	163	9
1021 2611 OGO	62	1	1021 6041 000	182	1	1142 2881 120	163	10
1021 2612 OTO	63	12	1021 6045 000	182	1, 2	1142 2881 130	163	11
1021 2613 OTO	63	13	1022 1214 000	79	1	1150 1707 000	136	13
1021 2613 OT1	63	13	1022 1222 000	79	1a	1150 2827 210	170	6
1021 2615 OTO	62	16	1022 1727 OC2	121	14b	1151 5161 OCO	180	1
1021 2618 OG1	61	2	1022 1743 OC2	122	29	1158 5170 001	180	5~7
1021 2618 OG2	61	2	1022 1744 OC1	122	30	1167 5530 OC2	180	8~11
1021 2619 OCO	62	11	1022 1756 OCO	121	1a	1167 5531 OC2	180	8
1021 2622 OGO	63	1	1022 1756 OC1	121	1a	1171 3017 OCO	176	10
1021 2622 OG1	63	1	1022 2429 OCO	139	8	1174 0118 110	52	3
1021 2623 ONO	63	6	1022 2431 000	136	5	1174 0217 000	63	7
1021 2626 000	63	20	1022 2432 000	136	4	1174 0217 001	63	7
1021 2641 OGO	62	17	1022 3412 OC1	122	36		65	12
1021 2642 OTO	61	3	1119 0605 000	93	19	1174 0415 000	57	18
1021 2643 OTO	61	4	1119 0605 100	93	19	1174 0512 000	59	18
1021 2644 OGO	61	5	1119 0605 200	93	19	1174 1282 000	76	9

NUMERICAL PARTS INDEX

Parts No.	Page	Key No.	Parts No.	Page	Key No.	Parts No.	Page	Key No.
1174 1817 OCO	123	11	1174 3018 OC1	176	9	1180 2471 130	145	6
1174 2036 OCO	102	1	1174 3024 000	178	2	1180 2482 001	63	18
	109	1	1174 3025 OC1	178	1	1180 2655 000	172	20
1174 2037 OC1	102	2	1174 3028 OCO	178	3		173	20
	109	2	1174 3031 000	176	11	1180 2908 000	170	17
1174 2201 130	129	10	1174 3214 120	113	2	1180 3063 000	112	15
1174 2201 170	128	7	1174 3311 OGO	111	13		113	15
1174 2201 240	128	3	1174 3312 OGO	112	13, 14	1181 2214 000	135	10
1174 2201 250	128	4		113	13, 14	1190 0693 000	105	30
1174 2201 260	128	5	1174 3312 110	112	14	1190 0694 000	105	31
1174 2201 270	128	6		113	14	1191 2638 000	58	25
1174 2301 110	132	1~6	1174 3312 120	112	13	1231 2209 000	84	3
1174 2301 130	132	10		113	13	1350 4214 000	117	7
1174 2301 160	133	1~11	1174 3313 000	111	14	1438 1319 300	97	5
1174 2301 170	133	2	1174 6004 001	183	12	1438 1319 400	97	5
1174 2301 180	132	8	1174 6005 001	183	13	1438 1319 500	97	5
1174 2301 210	132	13	1176 1015 000	75	21	1438 1319 600	97	5
1174 2301 220	132	17	1176 1382 000	77	22	1456 1157 000	80	22
1174 2301 230	132	16	1176 2215 001	102	22~26		81	22
1174 2301 240	134	17		109	22~26	1911 2483 000	137	29
	134	17	1176 2462 000	137	33	1911 2484 000	137	31
1174 2301 250	133	12	1176 2465 000	135	17	1915 2873 000	163	2
1174 2301 260	134	13	1176 3018 000	178	19	1915 3001 002	112	12
1174 2416 001	137	25	1176 3421 000	66	11	1915 3001 011	112	11
1174 2449 000	139	9		68	8	1915 3005 001	112	6
	141	8	1176 3542 000	61	14	1915 3005 002	112	7
	143	25	1179 2313 150	133	1~11	1915 3010 001	113	11
	183	11	1179 2313 160	133	6	1915 3010 002	113	12
	184	25	1179 2313 170	133	11	1915 3016 001	113	6
1174 2453 000	143	3	1179 2313 180	133	7	1915 3016 002	113	7
1174 2461 000	136	3	1179 2313 190	133	10	1915 4802 000	114	14
1174 2466 000	137	26	1179 2313 210	133	9	1915 4803 000	114	15
1174 2516 000	146	15	1180 2054 160	98	32	1915 6106 000	161	3
	148	7		103	31	1929 2163 000	142	34
	152	7		105	39		184	19
	156	7		110	31	1938 1818 001	126	28
1174 2621 002	62	2	1180 2054 170	98	31	1970 2805 100	164	26
1174 2631 OC1	63	4		103	30	1970 5407 000	181	6
1174 2632 OC1	63	5		105	40	1970 5413 000	181	11
1174 2636 000	62	4		110	30	1974 2351 140	66	4
	63	14	1180 2131 220	134	24		68	5a
1174 2648 000	62	5	1180 2131 230	134	33	1974 2351 150	68	5b
	63	15	1180 2131 260	134	23	1974 2451 600	160	3
1174 2651 000	62	14	1180 2131 280	133	3		160	6
1174 2652 000	61	7	1180 2131 290	133	4	1974 2454 000	160	2, 3
1174 2653 000	62	12	1180 2131 310	133	5		160	5, 6
1174 2654 000	62	15	1180 2131 320	133	6	1974 2755 000	174	24
1174 2655 001	61	9	1180 2131 370	134	15	1978 2771 000	170	18
1174 2673 000	58	22		134	15	1978 2934 OG1	165	39
1174 2674 000	62	20	1180 2131 390	134	16	1980 0062 110	59	8
1174 2918 120	168	3	1180 2131 410	134	20	1980 0062 120	59	2, 3
1174 2929 000	168	2	1180 2131 530	132	15	1981 2374 000	66	14
1174 2937 000	170	5~7	1180 2362 121	148	12	1981 2382 120	66	2
1174 2942 000	169	26		150	4	1981 2382 130	66	7
	169	26		156	12	1981 2382 150	66	3
	169	26		159	27	1981 2453 000	146	20
1174 2944 000	168	17	1180 2362 131	149	27		151	18
	169	21		150	3		155	25
1174 3016 002	176	18		157	27		159	25
	178	19		159	28	1981 2747 000	174	35

NUMERICAL PARTS INDEX

Parts No.	Page	Key No.	Parts No.	Page	Key No.	Parts No.	Page	Key No.
1981 2822 000	170	18	1983 1211 000	77	1	1983 1713 OC2	121	1
1981 2823 000	165	35	1983 1212 000	77	25	1983 1713 OC3	121	1
1981 2843 000	170	23~25	1983 1213 001	79	1	1983 1717 OC0	121	14
1981 6011 OC0	183	1	1983 1214 001	79	4	1983 1721 OC0	120	14
1982 0035 000	57	7~9	1983 1215 001	83	5	1983 1721 OC1	120	14
1982 0035 120	57	7	1983 1215 002	83	5	1983 1724 002	122	20
1982 1725 000	121	3	1983 1216 002	83	7	1983 1729 OC1	121	14 a
	121	3	1983 1217 000	83	9	1983 1733 000	120	15
1982 1726 000	122	19	1983 1218 001	80	1	1983 1738 000	122	20
1982 1744 000	166	25	1983 1219 000	80	17	1983 1741 OC1	121	8
1982 2527 002	169	23		81	17	1983 1742 OC1	121	16
1982 2730 001	174	22	1983 1221 OC1	76	2	1983 1811 002	125	16
1982 2732 001	172	22	1983 1222 001	84	2	1983 1812 OC3	125	18
	173	22	1983 1223 001	84	6	1983 1813 OC2	125	17
1982 2813 000	170	1, 2	1983 1229 001	84	10	1983 1813 OC3	125	17
1982 2813 110	170	2	1983 1233 001	84	18	1983 1814 OC4	123	1 a
1982 2816 000	170	21	1983 1245 OC0	76	12	1983 1816 000	125	19
1982 2816 001	170	21	1983 1245 OC1	76	12	1983 1817 OC1	126	27
1982 2821 000	163	8	1983 1266 OC0	76	2 a	1983 1818 002	126	28
	166	4~15	1983 1267 000	77	25 a	1983 1819 000	125	15
1982 2821 110	166	7	1983 1268 000	81	1	1983 1821 OC0	125	21
1982 2821 120	166	4	1983 1269 002	81	2	1983 1821 OC1	125	21
1982 2821 130	166	5		86	1~22	1983 1822 002	126	22
1982 2821 140	166	6	1983 1269 110	86	1	1983 1826 000	126	26
1982 2821 150	166	8	1983 1269 120	86	2	1983 1827 000	125	1
1982 2821 190	166	15	1983 1269 130	86	3	1983 1851 000	123	2
1982 2822 000	166	16~24	1983 1269 150	86	5	1983 1911 OC0	92	1
1982 2822 110	166	20	1983 1269 160	86	6	1983 1912 OC0	92	11
1982 2822 120	166	16	1983 1269 170	86	7	1983 2021 OC1	99	7, 8
1982 2822 130	166	19	1983 1269 180	86	8		106	7, 8
1982 2822 140	166	17	1983 1269 190	86	9	1983 2023 OC0	106	14
1982 2823 OG2	163	13	1983 1269 211	86	10	1983 2023 OC1	99	19
1982 2824 000	168	1~4	1983 1269 221	86	11		106	14
1982 2826 000	170	3, 4	1983 1269 230	86	12	1983 2024 OC0	106	16
1982 2826 110	170	3	1983 1269 250	86	14	1983 2024 OC1	99	21
1982 2826 120	170	4	1983 1269 260	86	15		106	16
1982 2828 000	163	12	1983 1269 271	86	16	1983 2025 OC1	101	1~11
	166	16~25	1983 1269 281	86	17		108	1~11
1982 2831 000	168	14~16	1983 1269 290	86	18	1983 2026 OC1	101	2~12
1982 2832 000	169	18~20	1983 1269 310	86	19		108	2~12
1982 2836 001	170	14	1983 1269 321	86	20	1983 2027 OC1	101	1
1982 2884 000	164	28	1983 1269 330	86	21		108	1
1982 4042 000	114	6~6b	1983 1269 350	86	22	1983 2028 OC1	101	12
1982 4042 110	114	6	1983 1269 360	86	23		108	12
1982 4042 120	114	6 a	1983 1271 000	84	19	1983 2031 OC0	106	14, 15
1982 4042 130	114	6 b	1983 1272 000	84	5	1983 2031 OC1	99	19, 20
1982 4043 OG0	114	7, 8	1983 1273 001	81	5		106	14, 15
1982 4043 110	114	7	1983 1274 002	76	5 a	1983 2032 OC0	106	16, 17
1982 4043 120	114	8	1983 1276 001	85	22	1983 2032 OC1	99	21, 22
1982 5012 OC1	181	2	1983 1276 002	85	22		106	16, 17
1982 5013 000	181	20	1983 1501 OC0	90	21~29	1983 2033 OC0	102	1~14
1982 5014 000	181	21	1983 1501 110	90	21		109	1~14
1982 5015 001	181	22	1983 1501 120	90	25	1983 2035 OC1	99	15, 16
1982 5016 000	181	23	1983 1501 130	90	22		106	20, 21
1982 5021 000	181	26	1983 1501 140	90	26	1983 2036 OC1	99	17, 18
1982 5040 OC0	180	1~3	1983 1501 150	90	27		107	22, 23
1982 5301 OK1	180	4	1983 1501 170	90	28	1983 2037 OC1	99	15
1983 0218 001	117	14	1983 1503 000	90	29		106	20
1983 1101 000	74	15, 16	1983 1711 OC1	121	8	1983 2038 OC1	99	17
1983 1120 000	74	16	1983 1712 OC1	121	4		107	22

NUMERICAL PARTS INDEX

Parts No.	Page	Key No.	Parts No.	Page	Key No.	Parts No.	Page	Key No.
1983 2041 OCO	101	17 a	1983 2546 OCO	157	24	1983 3541 OGO	70	11
	104	16 a	1983 2561 000	148	3	1983 3542 OGO	71	30
	108	17 a		152	3	1983 3611 OC2	104	27~36
1983 2112 OCO	95	1		156	3	1983 3621 OC3	97	10~16
1983 2126 000	96	29		160	4	1983 3641 OCO	109	15~28
1983 2127 000	96	30	1983 2567 000	153	30	1983 3642 OCO	109	15
1983 2401 000	137	28~32		157	35	1983 3642 OC1	102	15
1983 2411 OCO	136	15	1983 2569 000	153	31		109	15
1983 2412 001	136	5		157	36	1984 0113 OCO	52	10
1983 2413 OCO	140	35	1983 2913 001	164	21	1984 0113 OC1	52	10
	142	33	1983 2914 001	164	22		52	10
1983 2414 000	137	28	1983 2919 000	170	22	1984 0113 OC2	52	10
1983 2415 000	137	24	1983 3002 OC1	176	8~13		52	10
1983 2419 000	135	6	1983 3011 OC1	176	17	1984 0114 OCO	53	10
1983 2421 OC1	143	1	1983 3013 OCO	176	19	1984 0114 OC1	52	10
1983 2422 OC1	143	2	1983 3014 OCO	176	19 a		53	10
1983 2423 OC1	143	15	1983 3015 OCO	176	20	1984 0115 000	53	13, 14
1983 2424 000	143	17	1983 3015 OC1	176	20	1984 0115 001	53	13, 14
1983 2424 001	143	17	1983 3015 OC2	176	20	1984 0115 110	53	13
1983 2426 000	184	6	1983 3016 OCO	176	20 a	1984 0116 000	53	16
1983 2426 OCO	143	19	1983 3016 OC1	176	20 a		53	16
1983 2431 000	184	2	1983 3016 OC2	176	20 a	1984 0117 000	53	19
1983 2431 OCO	143	20	1983 3017 OC2	176	8	1984 0118 000	53	16
1983 2432 000	184	13	1983 3212 120	115	2	1984 0151 OCO	52	10
1983 2432 OCO	143	18	1983 3213 110	111	1	1984 0152 OCO	52	10
1983 2433 000	144	29		111	6	1984 0153 OCO	53	10
	184	9	1983 3213 120	111	2	1984 0153 OC1	53	10
1983 2511 OC1	146	2		111	7	1984 0153 OC2	53	10
1983 2511 OC2	146	2	1983 3214 000	115	3	1984 0154 000	53	16
1983 2512 OC1	146	1	1983 3216 OGO	111	3	1984 0155 OCO	54	20
1983 2512 OC2	146	1		112	3	1984 0213 000	117	9
1983 2518 001	162	1~20	1983 3216 OGO	113	3	1984 0213 001	117	9
1983 2518 OC1	154	10		114	3	1984 0215 OTO	117	1
	158	10	1983 3219 110	112	1	1984 0216 000	117	6
1983 2518 130	162	1	1983 3219 120	112	2	1984 0217 001	117	13
1983 2518 150	162	2	1983 3315 110	111	11	1984 0217 002	117	13
1983 2518 170	162	4	1983 3315 120	111	12	1984 0219 001	117	9
1983 2518 240	162	6	1983 3411 OC1	68	1~5 c	1984 0251 000	117	9
1983 2518 250	162	7	1983 3411 130	68	4	1984 0251 001	117	9
1983 2518 260	162	8	1983 3411 140	68	5	1984 0302 OK0	56	1~5
1983 2518 280	162	9	1983 3411 150	68	3	1984 0302 OK1	56	1~5
1983 2518 290	162	10	1983 3413 OC1	66	13	1984 0303 OK1	56	10~14
1983 2518 310	162	11		68	10	1984 0311 OK0	56	1
1983 2518 320	162	12	1983 3414 110	68	2	1984 0311 OK1	56	1
1983 2518 330	162	13	1983 3414 130	68	1	1984 0312 OK1	56	10
1983 2518 350	162	15	1983 3416 000	68	11	1984 0313 OK0	56	15
1983 2518 360	162	16	1983 3422 OCO	67	26	1984 0411 000	57	1~5
1983 2518 380	162	17		67	26	1984 0412 OCO	57	12
1983 2518 390	162	18		69	23	1984 0412 OC1	57	12
1983 2518 410	162	19		69	23	1984 0413 OCO	57	11
1983 2518 420	162	20	1983 3424 OCO	67	25	1984 0414 000	58	24
1983 2521 OC1	148	1		69	22	1984 0451 OCO	57	12
1983 2532 OCO	149	28	1983 3514 OTO	73	1 a	1984 0511 000	59	19
	157	28	1983 3518 OG3	70	3		59	1~8
1983 2541 OCO	152	1	1983 3518 OG4	70	3	1984 0513 000	59	19
	156	1	1983 3518 OG5	70	3		59	19 a
1983 2542 OCO	154	16	1983 3521 OGO	70	4	1984 0514 000	59	19 a
	158	16	1983 3521 OG1	70	4	1984 0516 000	60	12
1983 2544 OCO	154	2	1983 3523 000	71	19	1984 0517 OTO	60	16
	158	2	1983 3524 OGO	70	8	1984 0518 OTO	60	14

NUMERICAL PARTS INDEX

Parts No.	Page	Key No.	Parts No.	Page	Key No.	Parts No.	Page	Key No.
1984 0519 001	60	1~9	1984 2512 OC1	146	1 a	1984 2718 000	172	6
1984 0519 160	60	2	1984 2514 OCO	148	1 a		173	6
1984 0519 170	60	7	1984 2514 OC2	148	1 a	1984 2721 000	172	23
1984 0519 180	60	5, 6	1984 2515 OC1	148	2 a	1984 2722 000	172	24
1984 0519 190	60	3		152	2 a	1984 2723 000	172	1
1984 0519 220	60	6		156	2 a	1984 2724 000	172	2
1984 0519 230	60	4	1984 2515 OC2	148	2 a	1984 2725 000	174	27
1984 0521 OTO	60	17		152	2 a	1984 2726 000	173	7
1984 1011 OCO	74	1		156	2 a	1984 2727 001	174	28
1984 1011 OC1	74	1	1984 2516 OC1	149	24 a	1984 2727 002	172	26
1984 1221 000	77	14	1984 2516 OC2	149	24		174	28
1984 1222 000	77	18	1984 2517 OCO	150	2	1984 2727 003	172	26
1984 1223 000	77	20	1984 2518 OCO	150	1		174	28
1984 1224 000	77	21	1984 2518 OC1	150	1	1984 2728 000	173	8
1984 1225 000	85	12		159	26	1984 2728 001	173	8
1984 1226 OCO	76	12 a	1984 2519 OCO	148	2	1984 2728 002	172	8
1984 1227 000	76	19		152	2		173	8
1984 1231 000	81	1 a		156	2	1984 2728 003	172	8
1984 1716 OCO	120	2	1984 2519 OC1	148	2		173	8
1984 2001 OCO	102	15~28		152	2	1984 2733 000	172	9
	109	15~28		156	2		173	9
1984 2011 OCO	106	1	1984 2521 OCO	153	26	1984 2734 000	172	25
1984 2011 OC2	106	1	1984 2521 OC1	153	26	1984 2735 000	172	7
1984 2012 OCO	102	29~34	1984 2522 OCO	150	11	1984 2737 000	172	12
	110	29~34		154	19		173	12
1984 2013 OCO	98	27~32		158	19	1984 2742 000	172	28
	105	37~42	1984 2522 OC1	150	11		174	30
1984 2015 OCO	93	21		154	19	1984 2743 000	172	29
	107	24		158	19		174	31
1984 2051 OC1	99	1	1984 2523 OCO	154	1	1984 2745 000	172	30
1984 2051 OC2	99	1		158	1		174	36
1984 2052 OCO	106	1	1984 2524 OC1	157	24	1984 2749 000	174	34
1984 2052 OC1	106	1	1984 2526 OCO	146	2	1984 2751 000	174	33
1984 2053 OCO	99	1		152	1	1984 2772 000	173	8
1984 2053 OC1	99	1		156	1	1984 2774 000	173	17
1984 2054 OC1	93	21	1984 2527 OCO	148	1	1984 2775 000	174	38
	100	24	1984 2613 OGO	61	1	1984 2776 000	174	37
1984 2111 OC1	93	15	1984 2613 OG1	61	1	1984 2911 001	163	1, 2
1984 2111 OC3	93	15	1984 2614 OGO	62	8	1984 2912 000	163	3
1984 2112 OCO	97	10~15	1984 2614 OG1	62	8	1984 2913 000	163	6
1984 2113 001	96	29 a	1984 2615 OGO	62	9	1984 2914 000	163	4
1984 2114 OCO	97	17	1984 2615 OG1	62	9	1984 2916 000	163	4 a
1984 2115 OCO	96	36	1984 2616 OGO	63	11	1984 2928 001	163	1 a, 2
1984 2116 OCO	96	35	1984 2661 OG1	64	21	1984 2936 001	163	4 b
1984 2151 OC1	93	15	1984 2662 OGO	63	3	1984 2949 000	168	14~17
1984 2151 OC2	93	15	1984 2663 OCO	62	16 a	1984 2954 000	163	3 a
1984 2152 OCO	93	15	1984 2666 OGO	65	3	1984 2955 000	164	21 a
1984 2152 OC1	93	15	1984 2667 000	65	2	1984 2962 000	169	18~21
1984 2153 OCO	93	15	1984 2671 OTO	65	4	1984 2962 120	168	15
1984 2415 000	143	10	1984 2672 OTO	65	5		169	19
1984 2416 000	144	34	1984 2711 000	174	25	1984 3001 OCO	178	1~18
1984 2419 000	140	32	1984 2712 000	174	26	1984 3011 OCO	178	13
	142	30	1984 2713 000	173	1	1984 3211 110	113	1
	184	28	1984 2714 000	173	2	1984 3214 110	115	1
1984 2421 OCO	139	8	1984 2715 000	172	3	1984 3223 000	116	1
	141	7		173	3	1984 3224 OGO	116	2
1984 2441 OCO	135	13	1984 2716 000	172	4	1984 3323 110	115	6
1984 2511 OCO	146	2 a		173	4	1984 3323 120	115	7
	152	1 a	1984 2717 000	172	5	1984 3324 OGO	115	8
	156	1 a		173	5	1984 3333 110	116	5

NUMERICAL PARTS INDEX

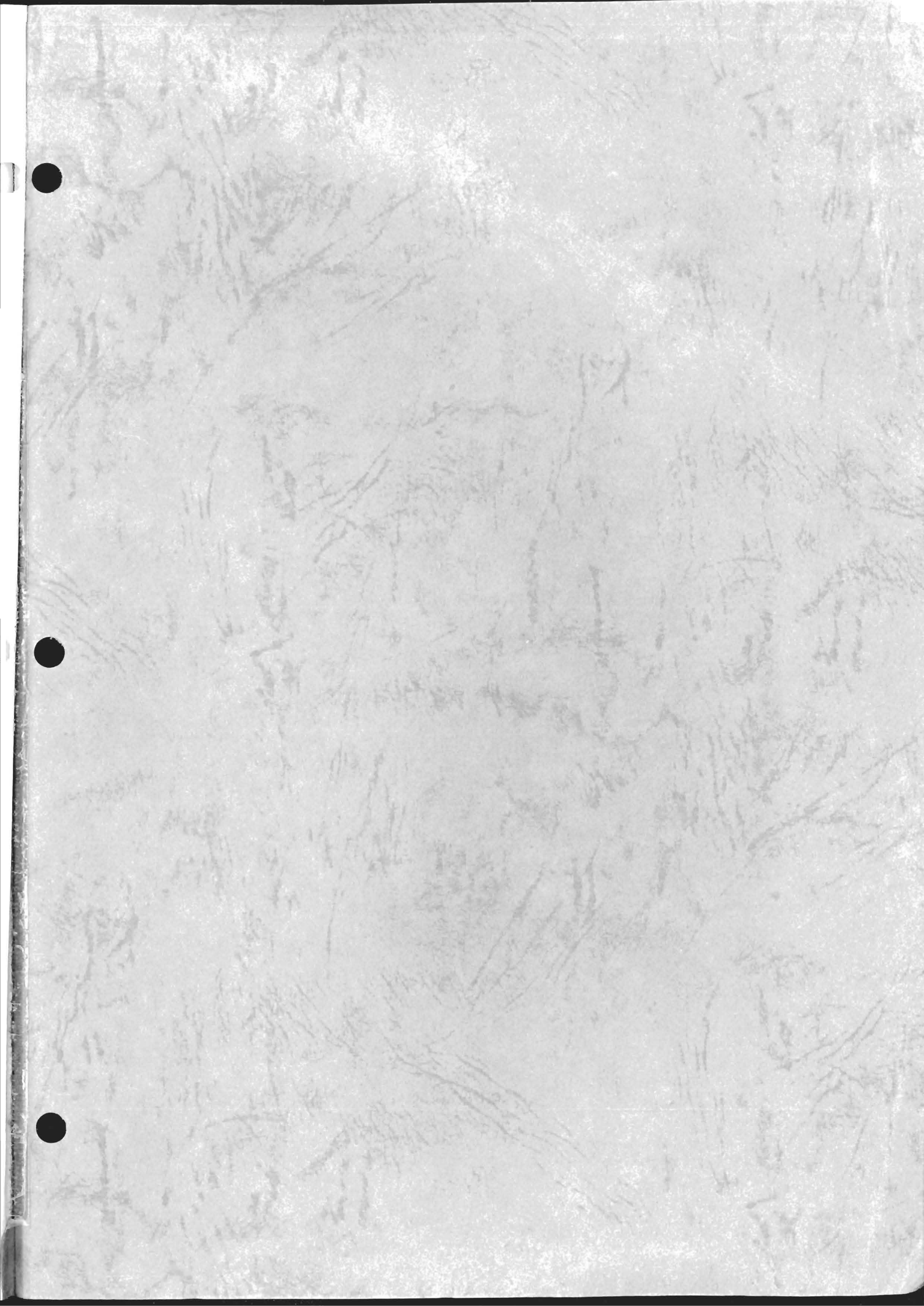
Parts No.	Page	Key No.	Parts No.	Page	Key No.	Parts No.	Page	Key No.
1984 3333 120	116	6	1994 2734 000	172	18	67200-21900	175	2
1984 3402 000	66	9		173	18	67200-25500	123	12
	68	6	1994 2736 000	172	19	67200-31100	102	3
1984 3403 000	66	10		173	19		109	3
	68	7	1994 2738 000	172	10	67303-02313	53	14
1984 3411 OC2	68	9		173	10		58	21
1984 3411 OC3	68	9	1994 2744 000	172	11	67326-02402	79	16
1984 3416 OC0	68	9a		173	11	67341-01101	99	5
1984 3416 OC1	68	9a	1994 2778 000	173	10		106	5
1984 3431 OC0	66	12	1994 2781 000	173	16	67354-00201	104	20
1984 3432 000	66	15	1994 2783 000	173	13	67354-00301	102	4
1984 3433 OC0	66	1~8	1994 2784 000	173	18		102	27
1984 3433 110	66	1	1994 2785 000	173	19		104	19
1984 3441 OC0	66	12a	1994 2913 000	165	34		109	4
1984 3441 OC1	66	12a	1994 2915 000	165	48		109	27
	66	12a	1994 2935 000	165	37	67361-23201	178	14
	66	12a	1995 2379 140	161	5	67361-23400	178	6
1984 3441 OC2	66	12a	1995 2379 190	161	12	67361-23902	176	14
1984 3511 OT1	73	5	1995 2382 000	149	30		178	21
1984 3511 OT2	73	5		149	30	67361-25100	178	7
1984 3511 OT3	73	5		150	6	67361-25200	176	16
1984 3512 OG0	70	1		153	24		178	20
1984 3513 OT0	71	23		154	9	67372-00800	135	9
1984 3514 OG0	70	2		157	30	67374-01001	136	6
1984 5010 OC0	181	1~25		157	30	67374-01100	137	23
1984 5011 OC0	181	1		158	9	67374-20500	137	28
1984 5012 OC0	181	1a	1996 0061 130	59	7	67375-01301	146	9
1984 5013 OC0	181	24	1996 0061 140	59	14~17		148	16
1984 5014 000	181	25	1996 0061 150	59	14		152	14
1984 5020 OC0	181	1a~25	1996 0061 160	59	15		156	16
1984 6200 OC0	184	1~28	1996 0061 170	59	16	67401-00112	57	3
1984 6201 OC0	184	1	1996 0061 180	59	17	67401-00113	57	19
1984 6201 OC1	184	1	1996 2353 000	148	3	67401-00114	57	20
1984 9011 000	185	3		152	3	67403-00300	52	5
1984 9012 000	185	1		156	3	67403-00500	52	6
1984 9014 000	185	11		160	7	67403-10200	52	4
1984 9015 000	185	12	1996 2353 170	160	9	67404-00032	164	31~33
1985 2415 OC0	183	21	1996 2353 180	160	8, 9	67404-00311	168	15
1985 2917 000	170	21a	2740 3214 200	52	7		169	19
1985 2918 000	171	26~28		93	7	67404-00313	168	16
1986 2711 000	174	23		95	14		169	20
1986 2712 000	172	17	2750 2473 OC0	139	12	67404-00901	164	28
	173	17		141	11	67404-01002	165	40~47
1986 2738 000	172	15	2761 3733 000	74	12	67404-01017	165	42
	173	15	2772 4043 000	117	2	67404-01020	165	41
1986 2738 001	172	15	2783 3013 000	119	6	67404-01720	166	2
	173	15	3610 0104 000	181	3	67404-02034	170	9
1994 0104 110	53	13	3610 5725 100	117	4		171	25
1994 0412 000	57	14		139	16		171	28
1994 0517 000	60	11		141	15	67404-02100	170	15
1994 2721 000	172	27	3690 1223 000	122	32	67404-02712	170	13
	174	29	3733 0784 000	61	8	67404-12202	164	31
	184	27	3783 0053 000	73	8		166	26~36
1994 2724 000	172	13	64309-15300	175	1	67404-12217	166	26
	173	13	64353-91213	129	12	67404-12218	166	28
1994 2727 000	172	14	65605-02030	143	5	67404-12219	167	29
	173	14	67200-06300	126	30	67404-12221	167	30
1994 2729 000	172	16	67200-11204	177	27	67404-12222	167	31
	173	16	67200-12300	177	28	67404-12223	167	34
1994 2731 000	174	32		179	3	67404-12225	166	27

NUMERICAL PARTS INDEX

Parts No.	Page	Key No.	Parts No.	Page	Key No.	Parts No.	Page	Key No.
67404-12700	170	12, 13	67441-01200	99	12	68226-03500	78	30
67409-00700	175	3		106	12	68226-03600	78	31
67409-00800	175	4	67441-01300	99	12	68226-03700	78	32
67409-00900	175	5		106	12	68275-02800	146	13
67409-01000	175	6	67441-01400	99	12		148	10
67409-01100	175	8		106	12		152	10
67409-01200	175	9	67441-0500	104	10		156	10
67409-01300	175	7	67441-05000	101	2	68275-02900	150	10
67426-01500	80	2		108	2		154	18
67426-04600	83	11	67453-00040	129	15		158	18
67427-01200	79	13	67453-00111	129	11	68275-60502	149	31
67427-01300	79	8	67453-00114	129	13		150	5
67428-01401	119	18	67453-00115	130	25		152	23
67428-01601	119	20	67453-00116	129	14		154	8
67428-01700	119	13	67453-00117	129	18		157	31
	122	24	67461-00055	176	21~24		158	8
67436-90100	116	7	67461-016C0	177	24	68401-01412	57	4
67436-901G0	114	16	67461-03100	177	26	68401-01700	57	15
67441-00302	99	10	67461-117C0	177	22	68401-02101	57	7~9
	106	10	67461-118C0	177	23	68401-02112	57	7
67441-006C0	101	17	67472-00700	130	21	68446-70200	180	5
	108	17	67474-00300	136	10	68453-60524	133	11
67441-006C5	101	17	67474-00600	136	9	68453-60525	133	7
	104	16	67475-00400	146	7	68453-60526	133	8
	108	17		148	14	68453-60527	133	9
67441-007C0	101	18		152	12	68453-60531	134	22~25
	108	18		156	14	68453-60532	134	22
67441-007C5	101	18	67495-90200	181	17	68453-60544	132	29
	104	17	67541-00800	93	3	68453-60545	134	30
	108	18		99	8	68453-60546	134	31
67441-00900	102	6~10		99	8	68453-60547	134	28
67441-00900	104	22~26	67541-00800	99	16	68453-60550	134	26
	109	6~10		99	18	68453-60553	134	21
67441-00916	102	7		99	20	68461-01300	177	21
	102	23		100	22	68461-01901	178	8
	104	23		106	8	68461-020C0	178	9
	105	33		106	15	68461-02101	178	10
	109	7		106	17	68461-02200	178	12
	109	23		107	21	68461-118C0	178	5
67441-00917	102	6		107	23	68475-10900	146	17
	104	22	67575-00600	146	8		148	9
	105	36		148	15		152	9
	109	6		152	13		156	9
67441-00918	102	8		156	15	68476-010C1	143	11
	102	24	67700-26000	123	13	68476-02300	143	5
	104	24		143	12	68600-83700	102	11
	105	34	67700-30300	80	19		109	11
	109	8		81	19	69401-00812	57	2
	109	24	67700-30400	80	19	69426-80600	84	4
67441-00919	102	9		81	19	69436-80205	116	7
	102	25	67700-30500	80	19	69446-80300	113	8
	104	25		81	19	69446-80500	114	1, 2
	105	35	67700-30600	80	19	69446-80511	114	1
	109	9		81	19	69474-80200	137	30
	109	25	67762-21201	177	25	69501-06300	57	14
67441-01000	102	5~9	67765-20402	179	2	69501-06400	57	15
	104	21~25	67775-01500	146	20	69501-06512	57	4
	109	5~9		151	18	69501-06612	57	8
67441-01100	99	12		155	25	69501-06613	57	9
	106	12		159	25	69501-07045	57	16

NUMERICAL PARTS INDEX

Parts No.	Page	Key No.	Parts No.	Page	Key No.	Parts No.	Page	Key No.
69501-07048	57	16	69553-06431	132	7			
69501-07055	59	21	69553-06433	132	9			
	60	13	69553-06439	134	19			
69501-07065	59	20		134	19			
	60	15	69561-00021	176	1~4			
69502-00800	55	3	69561-06001	176	1			
	55	9	69561-06101	176	2			
	56	3	69561-06301	176	3			
	56	9	69561-06701	178	24			
	56	12	69572-16100	135	3			
	56	18	69573-16012	145	11			
69502-00900	55	4	69573-16013	145	12			
	56	4	69573-16014	145	13			
	56	13	69573-16016	145	10			
69502-01000	55	5	69573-16017	145	14			
	56	5	69573-16018	145	14			
	56	14	69573-16019	145	14			
69504-062C0	164	27	69573-16020	145	14			
69504-17200	170	8, 9	69573-16021	145	14			
69508-06113	59	4	69573-160C1	145	9			
69508-06115	59	5						
69508-06116	59	6						
69509-16000	66	16						
	68	13						
69517-06201	68	12						
69526-01000	77	15						
69526-01100	77	16						
69528-06200	119	16						
69528-06400	119	19						
69528-07600	119	12						
69541-063C0	101	10						
69541-063C0	104	8						
	108	10						
69541-06400	101	9						
	104	7						
	108	9						
69541-068C0	101	3						
	104	1						
	108	3						
69542-63301	97	8						
69542-64700	95	5						
69542-65100	95	23						
69546-060G0	111	8						
	112	8						
69552-06500	88	18						
	122	21						
69553-06413	132	2						
69553-06414	132	3						
69553-06415	132	4						
69553-06416	132	5						
	132	25						
69553-06417	132	20~22						
69553-06418	132	21						
69553-06420	132	23~27						
69553-06421	132	27						
69553-06422	132	24						
69553-06423	132	23						
69553-06424	132	10~12						
69553-06425	132	12						
69553-06430	132	7~9						



 **MITSUBISHI AGRICULTURAL MACHINERY CO., LTD.**

1984-461

